

# Dishwasher User manual

---

DW90H79\*\*\*\*

---

**SAMSUNG**

# Contents

---

<b>Safety information</b>	<b>4</b>
What you need to know about safety instructions	4
Important safety symbols	4
Important safety precautions	5
Instructions when using your dishwasher	6
Instructions for protecting your children	7
Instructions for installing your dishwasher	7
Instructions about the WEEE	9
<b>Product overview</b>	<b>10</b>
Dishwasher at a glance	10
<b>Preparing the installation</b>	<b>11</b>
Installation kit (provided)	11
Required tools and parts (not provided)	11
Installation requirements	12
<b>Installation</b>	<b>14</b>
Step-by-step installation	14
Installing the free standing model under the sink	22
<b>Before you start</b>	<b>24</b>
Unsuitable items for the dishwasher	24
Basic use of racks	25
Detergent compartment	32
Rinse aid compartment	34
Salt storage	36
SmartThings	37
Open Source Announcement	40
<b>Operations</b>	<b>41</b>
Control panel	41
Cycle overview	42
Operating a cycle	43
Settings	44
Special features	48

---

<b>Maintenance</b>	<b>49</b>
Cleaning	49
Long-term care	55
<b>Troubleshooting</b>	<b>56</b>
Checkpoints	56
Information codes	59
<b>Appendix</b>	<b>60</b>
Cycle chart	60
Transportation/relocation	61
Protection against frost	61
Disposing the dishwasher and helping the environment	61
Energy, water saving tip	62
EPREL information	62
Specifications	63
<b>For standard test</b>	<b>64</b>
DW90H79**** Series	64

# Safety information

---

Congratulations on your new Samsung dishwasher. This manual contains important information on the installation, use, and care of your appliance. Please take time to read this manual to take full advantage of your dishwasher's many benefits and features.

## What you need to know about safety instructions

---

Please read this manual thoroughly to ensure that you know how to safely and efficiently operate the extensive features and functions of your new appliance and retain it at a safe place near the appliance for your future reference. Use this appliance only for its intended purpose as described in this user manual.

Warning and important safety instructions in this manual do not cover all possible conditions and situations that may occur. It is your responsibility to use common sense, caution, and care when installing, maintaining, and operating your dishwasher.

Because the following operating instructions cover various models, the characteristics of your dishwasher may differ slightly from those described in this manual and not all warning signs may be applicable. If you have any questions or concerns, contact your nearest service centre or find help and information online at [www.samsung.com](http://www.samsung.com).

## Important safety symbols

---

**What the icons and signs in this user manual mean:**

 **WARNING**

Hazards or unsafe practices that may result in **severe personal injury, death, or property damage.**

 **CAUTION**

Hazards or unsafe practices that may result in **personal injury or property damage.**

 **NOTE**

Indicates that a risk of personal injury or material damage exists.

These warning symbols are here to prevent injury to you and others. Please follow them explicitly.

Keep these instructions in a safe place and ensure that new users are familiar with the content. Pass them on to any future owner.

---

## Important safety precautions

---

To reduce the risk of fire, electric shock, or injury to persons when using your appliance, follow basic precautions, including the following:

1. This appliance is not intended for use by persons (including children) with reduced physical, sensory or mental capabilities, or lack of experience and knowledge, unless they have been given supervision or instruction concerning use of the appliance by a person responsible for their safety.
2. **For use in Europe:** This appliance can be used by children aged from 8 years and above and persons with reduced physical, sensory or mental capabilities or lack of experience and knowledge if they have been given supervision or instruction concerning use of the appliance in a safe way and understand the hazards involved. Children shall not play with the appliance. Cleaning and user maintenance shall not be made by children without supervision.
3. Children should be supervised to ensure that they do not play with the appliance.
4. If the supply cord is damaged, it must be replaced by the manufacturer, its service agent or similarly qualified persons in order to avoid a hazard.
5. The new hose-sets supplied with the appliance are to be used and that old hose-sets should not be reused.
6. For appliances with ventilation openings in the base, a carpet must not obstruct the openings.
7. Children of less than 3 years should be kept away from the appliance unless continuously supervised.
8. **CAUTION:** In order to avoid a hazard caused by inadvertent resetting of the thermal cut-out, this appliance must not be supplied through an external switching device, such as a timer, or connected to a circuit that is regularly switched on and off by the utility.
9. **WARNING:** Knives and other utensils with sharp points must be loaded in the basket with their points down or placed in a horizontal position.

This appliance is solely intended to be used in household and similar applications such as:

- Staff kitchen areas in shops, offices, and other working environments;
- Farm houses;
- Clients in hotels, motels, and other residential type environments;
- Bed and breakfast type environments.

# Safety information

---

## Instructions when using your dishwasher

---

It must only be used as an appliance as specified in this user manual, for cleaning domestic crockery and cutlery. Any other usage is not supported by the manufacturer and could be dangerous.

The manufacturer cannot be held liable for damage resulting from incorrect use, operation, and installation.

Do not use solvents in the dishwasher. Danger of explosion.

Do not inhale or ingest dishwasher detergent. Dishwasher detergents contain irritant or corrosive ingredients which can cause burning in the nose, mouth and throat if swallowed, or inhibit breathing. Consult a doctor immediately if detergent has been swallowed or inhaled.

Avoid leaving the door open unnecessarily, as you could trip over it.

Do not sit or lean on the opened door. This could cause the dishwasher to tip and get damaged, and you could get injured.

Only use detergent and rinse aid formulated for domestic dishwashers. Do not use washing-up liquid.

Do not use any strong acid cleaning agent.

Do not fill the rinse aid compartment with powder or liquid detergent. This will cause serious damage to the compartment.

Inadvertently filling the salt storage with powder or liquid dishwasher detergent will damage the water softener. Make sure to use the correct packet of dishwasher salt when filling the salt storage.

Please only use special coarse grained dishwasher salt for reactivation, as other salts may contain insoluble additives which can impair the functioning of the softener.

In an appliance with a cutlery basket (depending on the model), cutlery is cleaned and dried better if placed efficiently in the basket with the handles downwards. However, to avoid the risk of injury, place knives and forks etc. with the handles upwards.

Plastic items which cannot withstand being washed in hot water, such as disposable plastic containers, or plastic cutlery and crockery should not be cleaned in the dishwasher. The high temperatures in the dishwasher may cause them to melt or lose shape.

On models with the **Delay Start** function, make sure that the detergent compartment is dry before adding detergent. Wipe dry if necessary. The detergent will clog if poured into a damp detergent compartment and may not be thoroughly dispersed.

Always be caution when using remote control. You may be exposed to security risks during use, and usage-related problems may also arise because of Internet connectivity issues or incorrect settings.

Please do not operate the product with living beings (such as a person or an animal) or items that may cause water leakage or explosion.



---

## Instructions for protecting your children

---

This appliance is not a toy! To avoid the risk of injury, keep children well away and do not allow them to play in or around the dishwasher or to use the controls. They will not understand the potential dangers posed by it. They should be supervised whenever you are working in the kitchen. There is also a danger that children playing might shut themselves in the dishwasher.

Cleaning and user maintenance shall not be made by children without supervision.

Older children may only use the dishwasher when its operation has been clearly explained to them and they are able to use it safely, recognising the dangers of misuse.

**KEEP CHILDREN AWAY FROM DETERGENTS!**

Dishwasher detergents contain irritant and corrosive ingredients which can cause burning in the mouth, nose and throat if swallowed, or inhibit breathing.

Keep children away from the dishwasher when the door is open. There could still be detergent residues in the cabinet.

Consult a doctor immediately if your child has swallowed or inhaled detergent.

---

## Instructions for installing your dishwasher

---

Before setting up the appliance, check it for any externally visible damage. Under no circumstances should you use a damaged appliance. A damaged appliance can be dangerous.

The dishwasher must only be plugged into the electricity supply through a suitable switched socket. The electrical socket must be easily accessible after the dishwasher is installed so that it can be disconnected from the electricity supply at any time.

There must be no electrical sockets behind the dishwasher. The Danger of overheating and fire risk if the dishwasher were to be pushed up against a plug. After the installation is complete, make sure the power plug is not bent or damaged.

The dishwasher must not be installed under a hob. The high radiant temperatures which are sometimes generated by a hob could damage the dishwasher. For the same reason, it should not be installed next to open fires or other appliances which give off heat, such as heaters etc.

Do not connect the dishwasher to the mains supply until it has been fully installed and any adjustment has been made to the door springs.

Before connecting the appliance, check that the connection data on the data plate (voltage and connected load) match the mains electricity supply. If in any doubt, consult a qualified electrician.

The electrical safety of this appliance can only be guaranteed when continuity is complete between it and an effective grounding system. It is most important that this basic safety requirement is present and regularly tested and where there is any doubt the electrical system in the house should be checked by a qualified electrician.



# Safety information

---

The manufacturer cannot be held liable for the consequences of an inadequate grounding system (for example electric shock). Do not connect the ground wire to plastic plumbing, gas lines, or hot water pipes. Improperly connected grounding conductors may cause electric shock.

Do not connect the appliance to the mains electricity supply by a multi-socket unit or an extension lead. These do not guarantee the required safety of the appliance (for example danger of overheating).

This appliance may only be installed in mobile installations such as ships if a risk assessment of the installation has been carried out by a suitably qualified engineer.

The plastic housing of the water connection contains an electrical component. The housing must not be submerged in water.

There are electrical wires in the hose of Aqua-Stop. Never cut the water inlet hose, even if it is too long.

Installation, maintenance and repairs may only be carried out by a suitably qualified and competent person in strict accordance with current national and local safety regulations. Repairs and other work by unqualified persons can be dangerous. The manufacturer cannot be held liable for unauthorised work.

The integrated waterproof system offers protection from water damage, provided the following conditions are met:

- The dishwasher is correctly installed and plumbed in.
- The dishwasher is properly maintained and parts are replaced where it can be seen that this is necessary.
- The stopcock/supply valve has been turned off when the appliance is not used for a longer period of time (for example during holidays).
- The waterproof system will work even if the appliance is switched off. However, the appliance must remain connected to the electricity supply.

A damaged appliance can be dangerous. If the dishwasher gets damaged, switch it off at the mains and call your dealer or the service department.

Unauthorised repairs could result in unforeseen dangers for the user, for which the manufacturer cannot accept liability. Repairs should only be undertaken by an approved service technician.

Faulty components must only be replaced by original spare parts. Only when these parts are fitted can the safety of the appliance can be guaranteed.

Always disconnect the dishwasher from the electrical supply for maintenance work (Power off the wall socket and remove the plug).

If the connection cable is damaged, it must be replaced with a special cable available from the manufacturer. For safety reasons, this must only be fitted by the service department or an authorised service technician.

In countries where there are areas which may be subject to infestation by cockroaches or other vermin, pay particular attention to keeping the appliance and its surroundings in a clean condition at all times. Any damage which may be caused by cockroaches or other vermin will not be covered by the guarantee.

---

In the event of a fault or for cleaning purposes, the appliance is only completely isolated from the electricity supply when:

- it is switched off at the wall socket and the plug is withdrawn, or
- it is switched off at the mains, or
- the mains fuse is disconnected, or
- the screw-out fuse is removed (in countries where this is applicable).

Do not make any alterations to the appliance, unless authorised to do so by the manufacturer.

Never open the casing/housing of the appliance. Tempering with electrical connections or components and mechanical parts is highly dangerous and can cause operational faults or electric shock.

While the appliance is under guarantee, repairs should only be undertaken by a service technician authorised by the manufacturer. Otherwise, the guarantee will be invalidated.

When installing the product, make sure there is space at the top, left, right and back of the product to ensure proper ventilation. If there is insufficient space between the product and the sink, it may damage the sink or allow mould to grow.

The ventilation openings in the base must not be obstructed by any objects (such as a carpet or rug). Obstructing the openings may result in damage to the product or cause a fire hazard.

Make sure that your dishwasher's hardness level setting is correct as your area. (Refer to the **"Salt storage"** section on page 36.)

Please consult [www.samsung.com/support](http://www.samsung.com/support) for more information about materials and repairs.

## Instructions about the WEEE

---



### Correct Disposal of This Product (Waste Electrical & Electronic Equipment)

(Applicable in countries with separate collection systems)

This marking on the product, accessories or literature indicates that the product and its electronic accessories (e.g. charger, headset, USB cable) should not be disposed of with other household waste at the end of their working life. To prevent possible harm to the environment or human health from uncontrolled waste disposal, please separate these items from other types of waste and recycle them responsibly to promote the sustainable reuse of material resources.

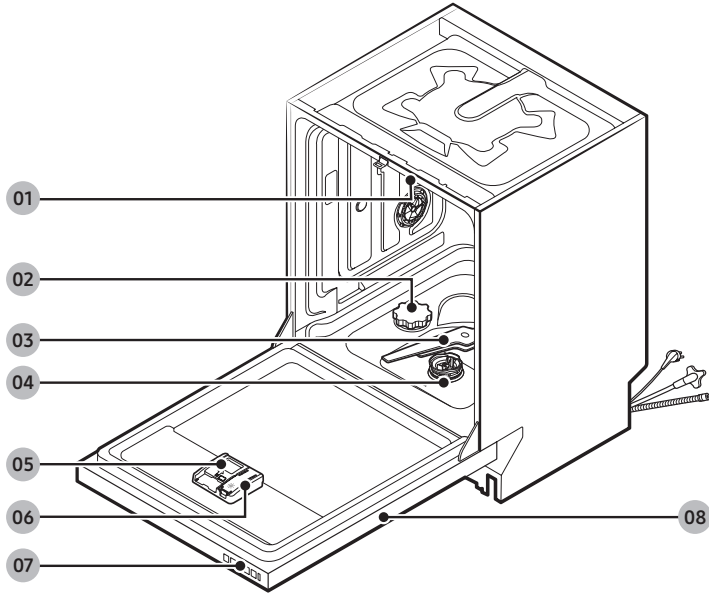
Household users should contact either the retailer where they purchased this product, or their local government office, for details of where and how they can take these items for environmentally safe recycling.

Business users should contact their supplier and check the terms and conditions of the purchase contract. This product and its electronic accessories should not be mixed with other commercial wastes for disposal.

For information on Samsung's environmental commitments and product regulatory obligations, e.g. REACH, visit our sustainability page available via [www.samsung.com](http://www.samsung.com)

# Product overview

## Dishwasher at a glance



01 Top spray arm

02 Salt storage

03 Bottom spray arm

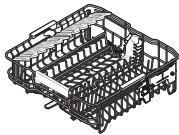
04 Filters

05 Detergent compartment

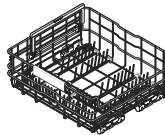
06 Rinse aid compartment

07 Control panel

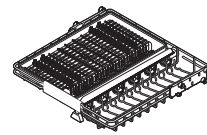
08 Door



Upper rack



Lower rack



Cutlery rack

### NOTE

Depending on the models, the actual appearance of the product and its parts may differ from the figures.

# Preparing the installation

## Installation kit (provided)

Make sure all the parts listed in this section are enclosed with the product. The actual appearance of the parts may differ from the figures.

### ⚠ CAUTION

After unpacking the dishwasher, keep packaging materials out of children's reach to ensure their safety.

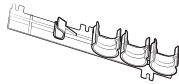
### 📖 NOTE

The number inside the parenthesis is the provided quantity of the item.

## Free standing models



Salt guide



Hose holder (1)

## Required tools and parts (not provided)



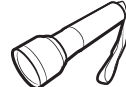
Hose clamp



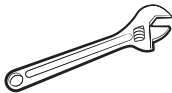
Safety glasses



Gloves



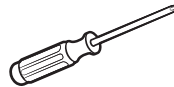
Flashlight



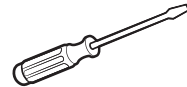
Wrench (22 mm) for the front foot



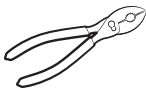
Torx T20 screwdriver



Phillips screwdriver



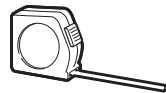
Flat-head screwdriver



Pliers



Nipper



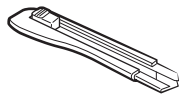
Tape measure



Pencil



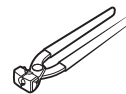
Level



Cutting knife



Hole saw (80-100 mm)



Ear clamp plier

# Preparing the installation

## Installation requirements

To prevent a risk of fire, electric shock, or personal injury, all wiring and grounding must be done by a qualified technician.

### Power supply

An individual 220-240 V~, 50 Hz branch circuit that is dedicated to the dishwasher.

#### WARNING

- Do not use an extension cord.
- You must only use the power plug that comes with the dishwasher.
- After the installation is complete, make sure the power plug is not bent or damaged.

### Grounding

For permanent grounding, the dishwasher must be properly grounded to a grounded metal or permanent wiring system. The grounding conductor must be run with the circuit conductors and then connected to the grounding terminal or lead on the dishwasher.

#### WARNING

- Do not connect the ground wire to plastic plumbing, gas lines, or hot water pipes. Improperly connected grounding conductors may cause electric shock.
- Do not modify the power plug of the dishwasher. If the power plug does not fit the outlet, have a proper outlet installed by a qualified electrician.

### Water supply

- The water supply line must support water pressures between 0.05 and 0.8 MPa.
- Water temperatures must be lower than 60 °C.
- The stopcock / supply valve with a 3/4" male thread must be installed for the water supply connection.

### To reduce the risk of leaks:

- Make sure water taps are easily accessible.
- Turn the water supply valve off when the dishwasher is not in use.
- Check for any leaks at the water hose fittings on a regular basis.
- To stop any leak, seal the water line connections and joints using Teflon tape or a sealing compound.

### Aqua Stop

The Aqua Stop is an electrical component that is designed to prevent water leaks. The Aqua Stop is attached to the water hose and automatically cuts off the water flow in the event of damage to the hose.

#### CAUTION

- Handle the Aqua Stop with care.
- Do not kink or twist the water hose connected to the Aqua Stop. If the Aqua Stop is damaged, shut off the water taps and unplug the power plug immediately. Then, contact a local Samsung customer centre or a qualified technician.

---

## Drain

If you are using a drain system dedicated to the dishwasher, connect the drain hose to a drain system that is between 300 mm and 700 mm off the ground. Connecting the drain hose to a drain system more than 700 mm off the ground can cause the drained water to flow backward.

## Flooring

For safety, install the dishwasher on a solidly constructed floor. Wooden floors may need to be reinforced to minimise vibrations. Avoid installing on carpet or soft tiles. Carpeting and soft tile may cause vibrations and may cause your dishwasher to move slightly while operating.

### **WARNING**

Do not install the dishwasher on a poorly supported structure.

- Make sure the dishwasher is level using the height-adjustable feet.
- When levelling is complete, check if the door opens and closes properly.

## Ambient temperature

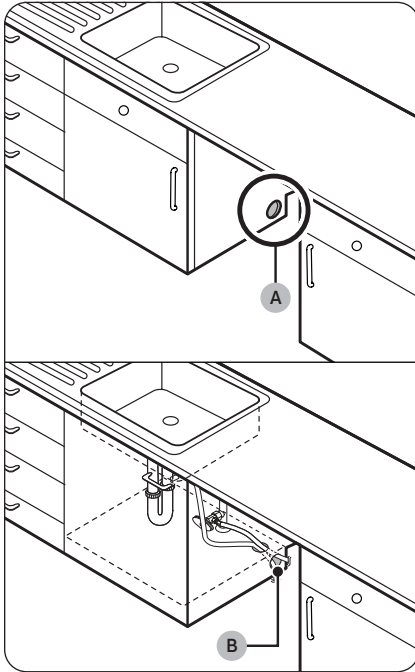
Do not install the dishwasher in an area exposed to freezing temperatures. The dishwasher always retains some water in the water valve, pump, and hose. If the water freezes in the dishwasher or hoses, it may damage the dishwasher and its components.

# Installation

## Step-by-step installation

The installation procedure may differ depending on the model.

### STEP 1 Select a location



#### Select a location that meets the following conditions.

- The location must have a solid floor that can support the weight of the dishwasher.
- The location must be near a sink with easy access to the water supply, drain system, and electrical outlet.
- The location must let you load dishes into the dishwasher easily.
- The location must have sufficient space for the dishwasher door to open easily and provide enough space between the dishwasher and the cabinet sides.
- The rear wall must be free of obstructions.

#### Installation in a new location

If you install the dishwasher in a new location, follow these instructions before installing the dishwasher.

1. Using a hole saw, cut a hole into the side of the cabinet that holds the sink **(A)**.
2. If the base inside the sink cabinet is raised above the kitchen floor and is higher than the connections on the dishwasher, make a hole in the base inside the cabinet and in the cabinet side **(B)**.

#### NOTE

- If you are replacing an old dishwasher, check the existing connections for compatibility with the new dishwasher and replace the connections as needed.
- You may need to cut a hole in the opposite side of the cabinet according to the location of the electrical outlet.

---

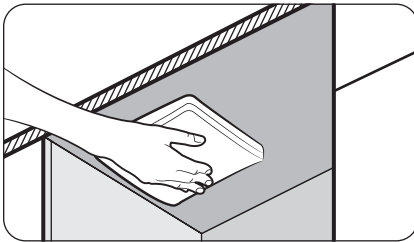
## STEP 2 Check the water line

---

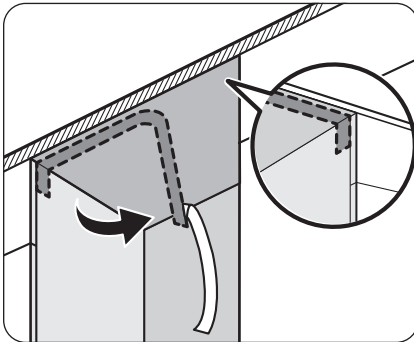
- The water line pressure must be between 0.05 and 0.8 MPa.
- Make sure that the water temperature does not exceed 60 °C. Hot water over 60 °C may cause the dishwasher to malfunction.
- Make sure that the water supply valve is turned off before connecting the water supply line to the dishwasher.

## STEP 3 Arrange the hoses

---

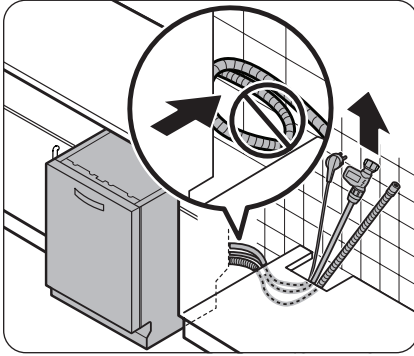


1. Clean the bottom of the countertop.



2. Attach the protective sticker as shown.

# Installation



3. Pull the power plug, the water hose, and the drain hose through the sink hole.

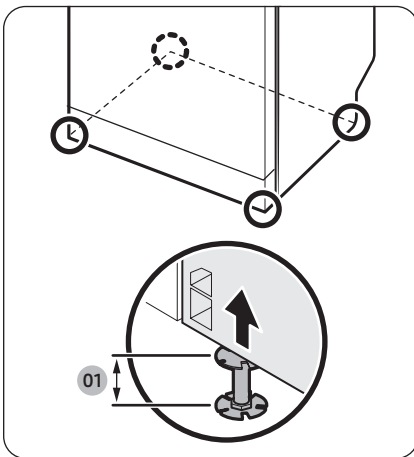
## ⚠ CAUTION

- Use caution not to kink or step on the power plug or the hoses.
- Do not remove the brown paper on the back of the dishwasher. The paper is used to keep the rear side clean against the wall.

## STEP 4 Level the dishwasher

### For free standing models

You can adjust the height of the dishwasher up to 45 mm using the levelling feet.



01 0-45 mm

1. While slightly lifting the front or rear (or both in turns) of the dishwasher, turn the levelling foot using a flat-head screwdriver to adjust the height.
2. When complete, use the leveller to make sure the dishwasher is level.
3. Insert the dishwasher under the sink and make sure to secure at least 4 mm space between the top of the dishwasher and the bottom of the sink plate.

## ⚠ CAUTION

Do not arrange the power cord of the dishwasher using a metallic cable tie.

---

## STEP 5 Secure the dishwasher (for built-in models only)

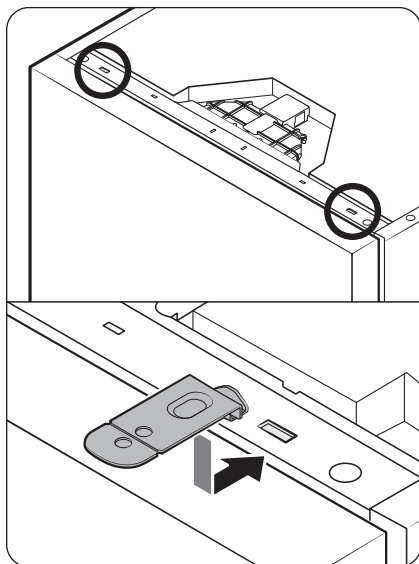
---

You can use the brackets to secure the dishwasher to the countertop. Alternatively, you can drill the side holes to secure the dishwasher to the cabinet sides.

### CAUTION

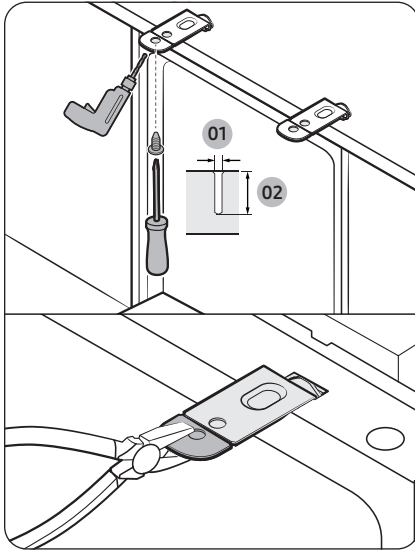
Before securing the dishwasher, put a large towel on the bottom of the dishwasher (covering the sump) to prevent wood shavings or screws from falling into the dishwasher sump.

#### To the countertop



1. Insert the provided brackets into the top front holes of the dishwasher as shown.
2. Fully insert the dishwasher under the countertop.

# Installation



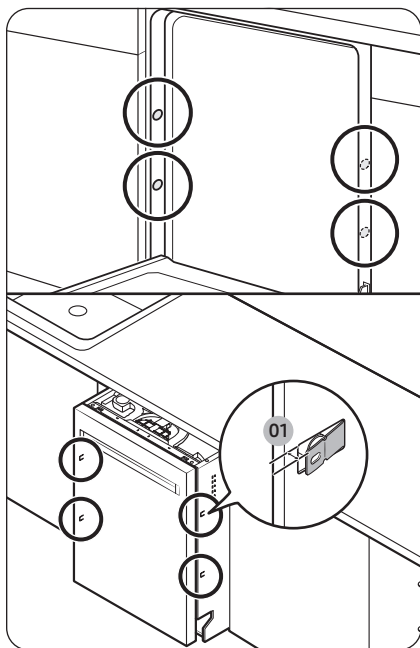
01 2 mm  
02 12 mm

3. Carefully drill 2 screw holes into the bottom of the countertop from beneath, one for each countertop bracket.
  - Make sure the hole you drill is smaller than the diameter of the screw.
4. Insert the provided screws into the hole of the brackets, and then tighten them to secure the dishwasher to the countertop.

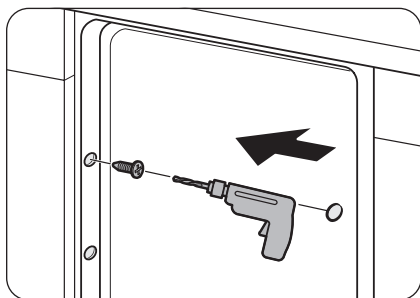
## NOTE

- If the provided brackets are too long, cut them down using pliers.
- Use a magnetic screwdriver to help prevent screws from falling into the dishwasher.

## To the side walls



01 5 mm

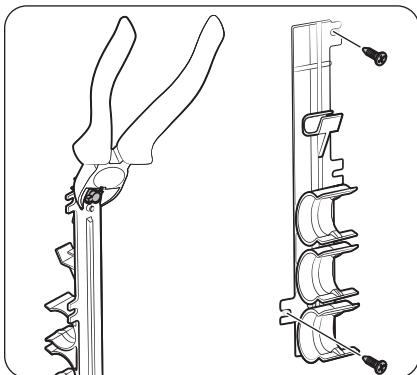


1. To prevent damage to the drain hose through the water supply line, slightly pull out the dishwasher and pull out the side brackets on the left and right side of the dishwasher by 5 mm. When done, reinsert the dishwasher with its centre aligned.

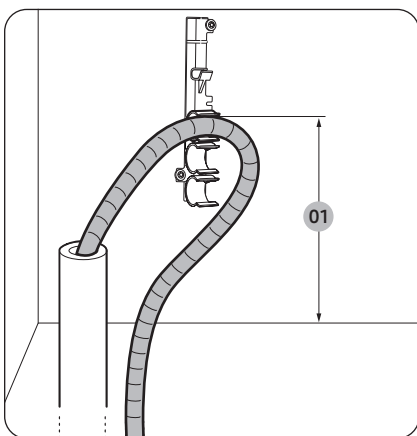
2. Drill a hole into both sides of the kitchen cabinet, totaling 2 screw holes.
  - Make sure the hole you drill is smaller than the diameter of the screw.
  - Make sure the drill bit does not strike the sides of the spacer cap holes.
3. Tighten the provided screws into the holes to secure the dishwasher to the cabinet.
4. Insert the provided plastic caps to the places where screws are fastened.

# Installation

## STEP 6 Connect the drain hose

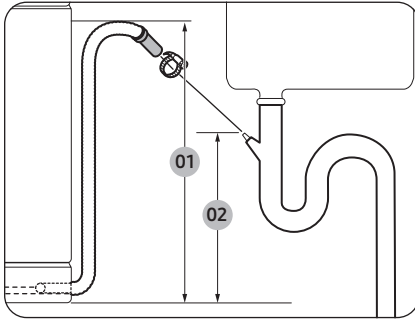


1. Detach the hose holder from the dishwasher, and then cut off the protruding part from the holder as shown.
2. Fix the holder to a wall by tightening the 2 screws ( $\varnothing 4 \times 12$ ).



01 Max. 700 mm

3. Insert the drain hose into the holder so that the drain hose is positioned 300 mm to 700 mm from the bottom.



01 Max. 700 mm

02 Min. 300 mm

4. Connect the drain hose to the drain outlet.

**⚠ CAUTION**

- Install the drain system properly so that the drain hose does not come out of the drain outlet in the draining process.
- Secure the drain hose using a hose clamp, cable tie, or Teflon tape (not provided), and seal any gaps between the hose and the drain pipe with silicone to help prevent leaks and odors.
- Make sure that the drain hose, supply hose, and power cord are not kinked or folded.

## STEP 7 Final check

1. Remove all foam, paper packaging, and unnecessary parts from inside the dishwasher.
2. Turn the power circuit breaker on.
3. Open the water supply valve to supply water to the dishwasher.
4. Plug in and turn the dishwasher on. Then, select and run the Express cycle.
  - If your model does not have the Express cycle, select and run the cycle that takes the shortest operation time to check if the dishwasher operates properly.
5. Check if the dishwasher turns on normally and if there are any water leaks while the dishwasher is operating. Make sure to check for water leaks on both ends of the water line and the drain hose connector.

# Installation

## Installing the free standing model under the sink

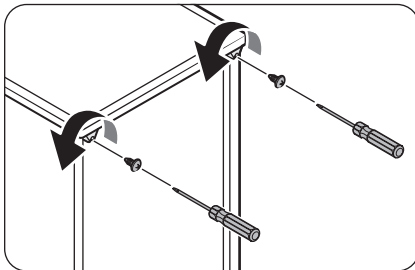
You can install the dishwasher under the sink. To do this, follow the instructions below.

### WARNING

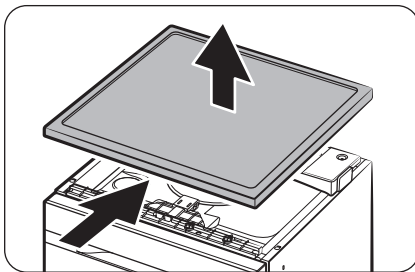
Samsung Electronics is not responsible for any product failure or damage that may arise from your installation of the free standing model under the sink.

### Removing the top cover

If you want to install your free standing model under the cabinet but if it does not fit into the cabinet because of the height, you can remove the top cover.



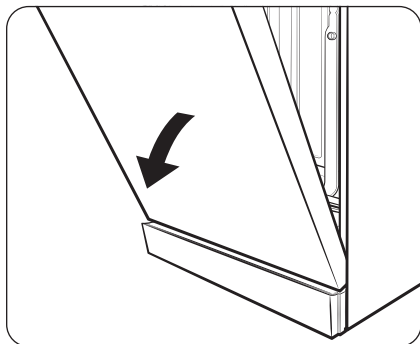
1. Remove the 2 screws from the top corners on the rear side of the dishwasher.



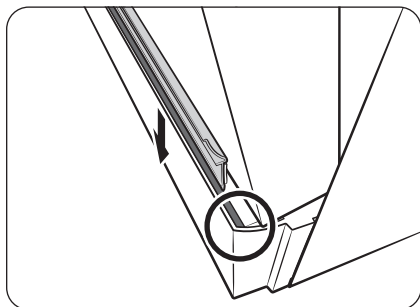
2. Slide the worktop of the dishwasher to the rear and lift up to remove it.
3. Refer to the "**Step-by-step installation**" section to proceed with the rest of the installation.

---

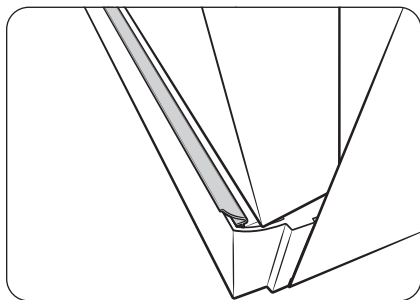
### Attaching the trim (Applicable to some freestanding models only)



1. Open the door halfway down.



2. Insert the trim in the lower groove of the dishwasher.



3. This is how the trim looks after attachment.

# Before you start

---

## Unsuitable items for the dishwasher

---

### WARNING

Only wash items such as glass, porcelain, and cutlery which the manufacturer declares as dishwasher safe. Do not wash aluminium (for example grease filters). The dishwasher may damage aluminium, or in extreme cases, cause a severe chemical reaction.

### **Do not wash the following items in the dishwasher.**

- Copper, brass, tin, ivory, and aluminium items or items with adhesive
- Non-heat resistant plastics
- Craft items, antiques, valuable vases, and decorative glassware
- Pottery or glazed-ceramic items
- Wooden or silver tableware or items that includes wooden or silver parts
- Delicate glassware or glassware containing the lead crystal. Clouding may occur on the glassware after frequent washing.
- No electronic devices, especially those containing batteries, should be washed in a dishwasher, even if they are advertised as water-resistant, unless it's clearly mentioned that they are Dishwasher-Safe.

### CAUTION

- Do not wash items that are covered with ash, sand, wax, lubricating grease, or paint. These materials will damage the dishwasher. Ash does not dissolve and will spread inside the dishwasher.
- Remove food remains such as bones, fruit seeds, etc. and waste such as toothpicks, paper napkins, etc. from your dishes. Food remains and waste can make noise, cause the dishwasher to malfunction, and damage your dishes and dishwasher.

### NOTE

Silverware that has contacted foods containing sulphur may become discoloured. Food with sulphuric content include egg yolks, onions, mayonnaise, mustard, fish, fish brine, and marinades.

---

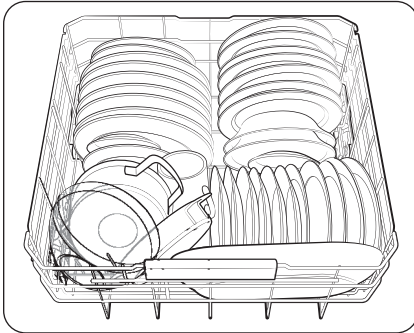
## Basic use of racks

---

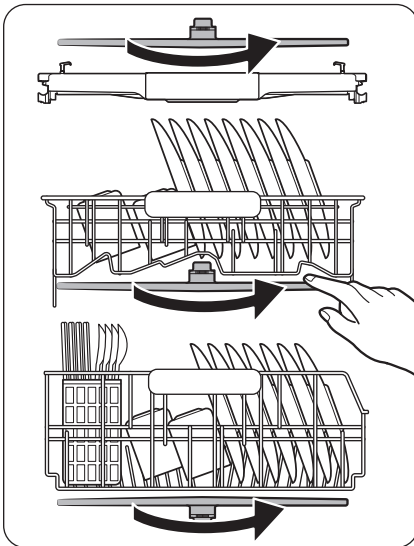
### NOTE

Depending on the models, the actual appearance of the racks and the loading method may differ from the figures.

### Loading the lower rack



- Lower rack is for loading large items such as pots, pans, lids, serving dishes and bowls.
  - Place the items in a way that water could easily flow out.
  - You can also use the lower rack to load smaller items using the folding tines and glass supports.
  - You can lift the upper rack to gain more space to load larger items.



### CAUTION

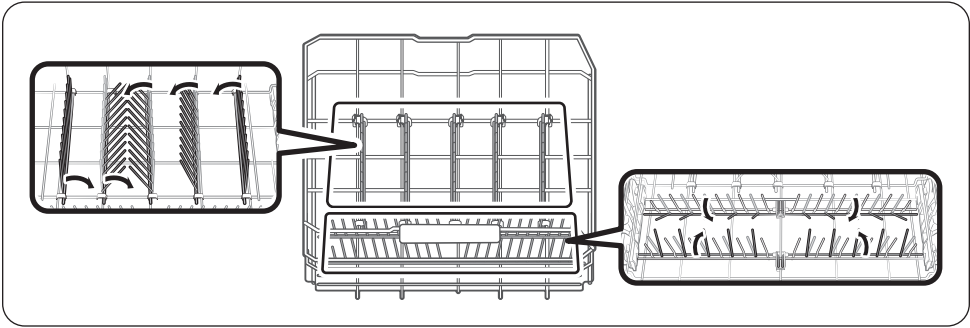
- Make sure the loaded items do not interfere with the rotation of the middle and bottom spray arms.
  - Check the rotation of the spray arms with your hand before starting the dishwasher.

# Before you start

## Using the tines

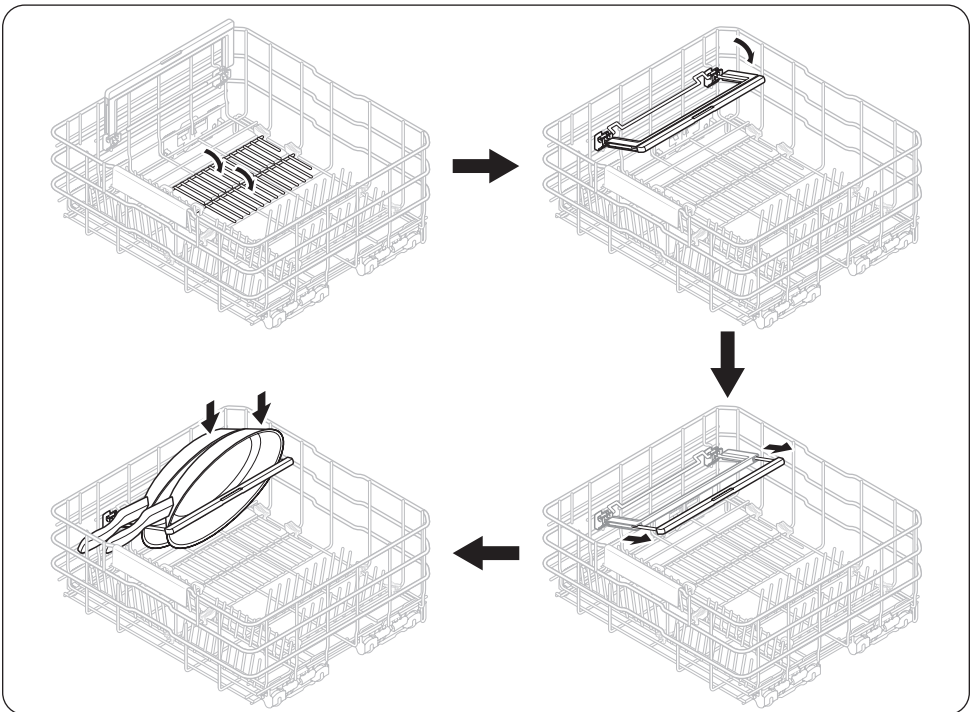
Fold or unfold the tines depending on the items you load.

Fold them for better stacking of pots and pans and unfold them to load items such as dishes.



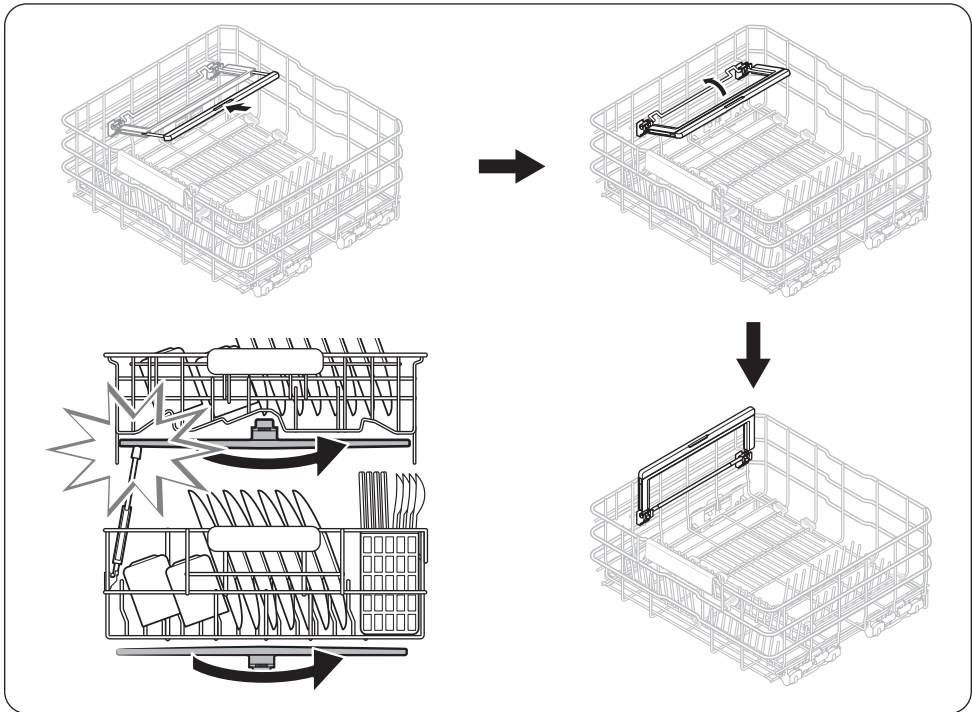
## Using the pan holder

You can use the pan holder to load your pans. Fold down the tines and then lower the pan holder.



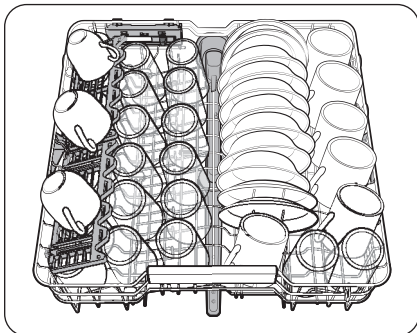
**⚠ CAUTION**

When not using the pan holder, first push the extended part back in, then fold up the pan holder. If the extended part is not pushed in before folding up the pan holder, it may interfere with the middle spray arm's rotation, preventing proper cleaning. Before operating the dishwasher, manually rotate the middle spray arm to ensure items and pan holder are not interfering with the middle spray arm's rotation.



# Before you start

## Loading the upper rack

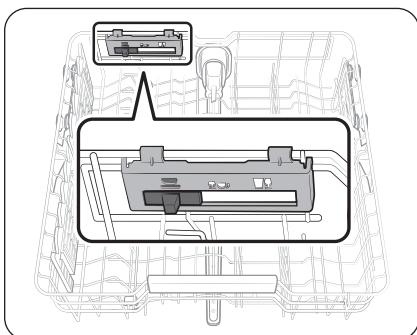


- The upper rack is for small plates, mugs, glasses, and plastic items.
  - You can adjust the position of the upper rack to use the internal space flexibly.

### ⚠ CAUTION

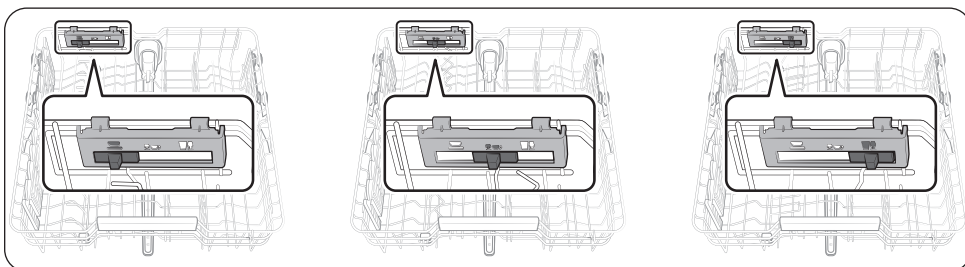
- Make sure the loaded items do not interfere with the rotation of the middle spray arm.
  - Check the rotation of the spray arm with your hand before starting the dishwasher.
- When loading items, completely pull out the upper rack to prevent bumping the items to the counter while loading.

## Using the guide tines



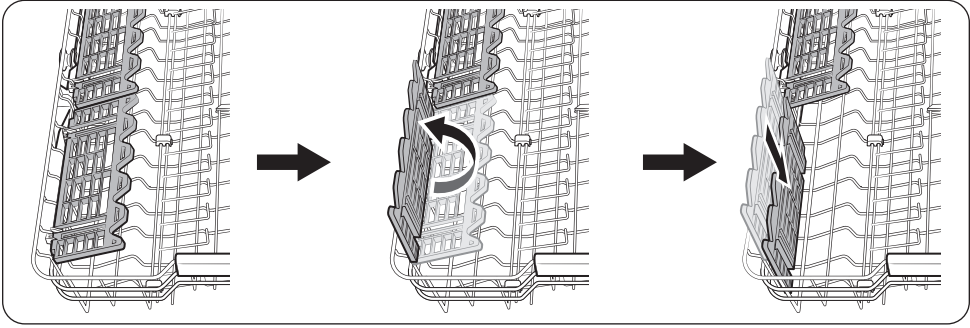
You can use the upper rack's guide tines to load items onto the upper rack in various ways. Move the slider to the right, middle, or left to adjust the guide tines suitable for loading the following items.

- Right: Standard wine glasses
- Middle: Shorter wine glasses or brandy glasses
- Left: Bowls and plates



### Using the glass support

The glass support is especially suited for wine glasses. Hang wine glasses onto the pegs of the glass support. Fold the glass support back when it is not being used.

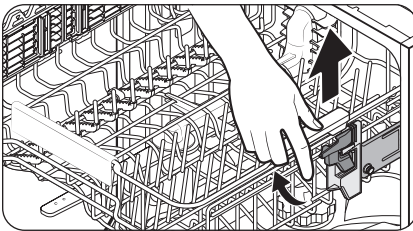


### Adjusting the position of the upper rack

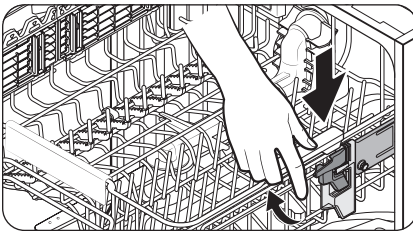
You can adjust the position of the upper rack to adjust the loading space according to the items you load to the upper and lower racks.

#### ⚠ CAUTION

- Adjust the upper rack position before loading items into the rack to prevent damaging the items.
- Make sure to hold both handles when adjusting, or the dishwasher door may not close properly.

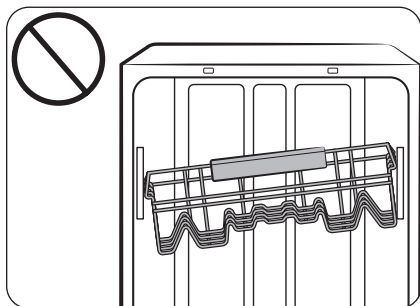


- To raise the upper rack, lift the upper rack. The adjustable handle will latch, and the upper rack will raise.
  - You will have more loading space in the lower rack.



- To lower the upper rack, hold both the adjustable handles located at the left and right sides of the upper rack and then evenly press down.
  - You will have more loading space in the upper rack.

# Before you start



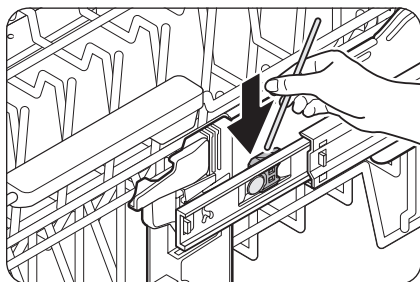
## ⚠ CAUTION

- Adjust the upper rack position before loading items into the rack to prevent damaging the items.
- You must level the left and right sides of the upper rack. Otherwise, the dishwasher door may not close properly or the dishwasher may not wash properly.

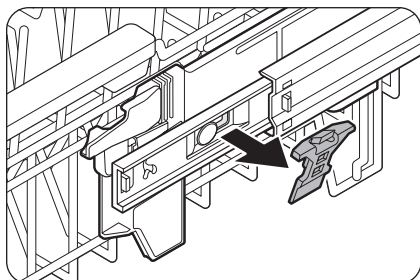
## Removing the upper rack

### ⚠ CAUTION

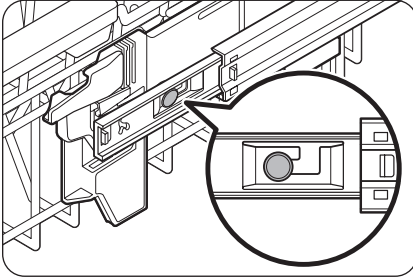
- Do not operate the dishwasher without the upper rack. Otherwise, noises occur and the dishwasher does not operate properly.
- Because the upper rack is removable, insert the upper rack properly to ensure the dishwasher operates normally.



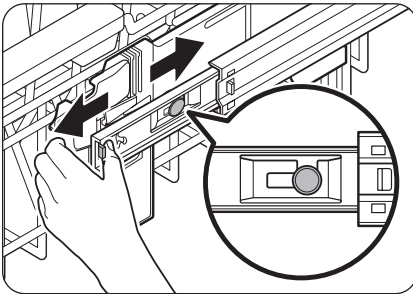
1. Push the hook on the rail holder (on left and right sides).



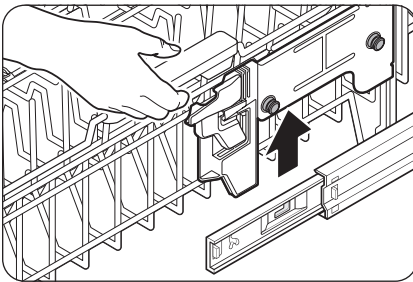
2. Remove the rail holder from the rail (on left and right sides).



3. Check the position of the shaft on the rail bracket.



4. Slide the upper rack so that the shaft is positioned at end of the rail bracket.



5. Lift the upper rack to remove.

**⚠ CAUTION**

Be careful not to lose the rail holders during this process.

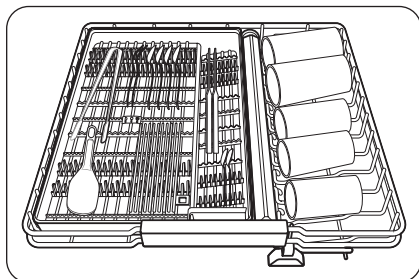
# Before you start

## Loading cutlery rack

- The cutlery rack is best for flatware and cooking or serving utensils.
- The design of the cutlery rack may vary depending on the model.

### ⚠ CAUTION

When using the cutlery rack, ensure that the items you place in it do not obstruct the top spray arm.



The cutlery rack is suitable for cups up to 130 mm in height. For taller cups, use the upper or lower rack instead.

### 📖 NOTE

- Place cups with the openings facing the spray nozzles for more effective cleaning.
- If cups are placed with the openings not facing the spray nozzles, the inside of the cups may not be cleaned properly, and water may remain, resulting in incomplete drying.

## Detergent compartment

You must put detergent into the detergent compartment before every cycle. Put a recommended amount of detergent for the selected cycle for the best performance.

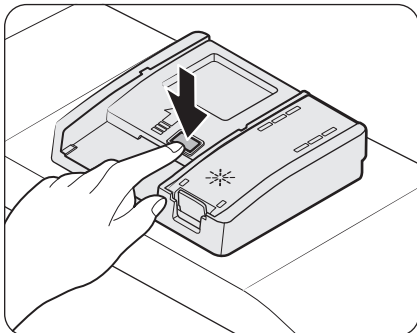
### ⚠ WARNING

- Do not place dishwasher detergent in your mouth. Avoid breathing in detergent fumes.
  - Dishwasher detergent contains irritants and caustic chemicals that can induce respiratory conditions.
  - If you have consumed dishwasher detergent or inhaled detergent fumes, seek medical attention immediately.
- Keep dishwasher detergent out of children's reach.

### ⚠ CAUTION

Use dishwasher detergent only. Other types of detergent produce excessive foam, which may decrease the dishwasher's performance or cause it to malfunction

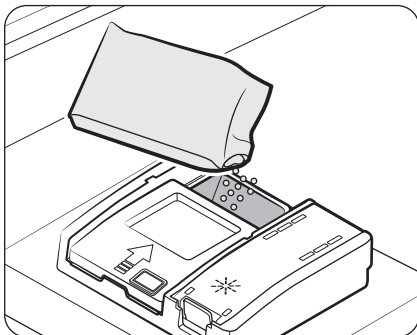
## Filling the detergent



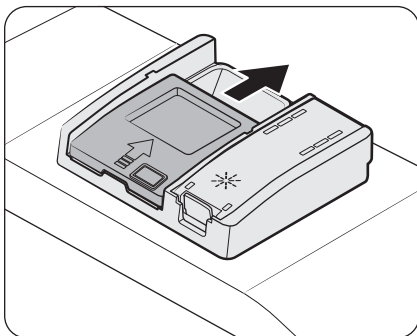
1. Press the button on the detergent compartment cover to open the detergent compartment cover.

 **NOTE**

The cover remains open at the end of a cycle.

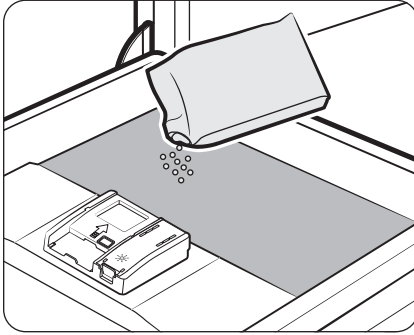


2. Add the recommended amount of detergent into the detergent compartment.



3. Slide the cover in the direction of the arrow to close it.

# Before you start



4. If the items are heavily soiled, pour a small amount of detergent onto the door for the pre-wash process to get better cleaning results.

**NOTE**

The cover opens automatically to dispense the detergent during the wash.

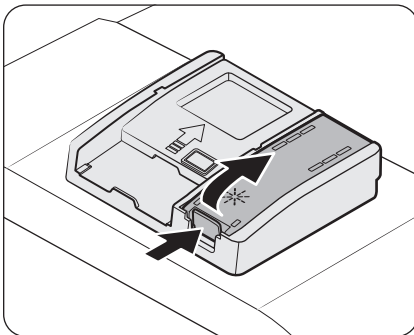
## Rinse aid compartment

- Rinse aid improves the drying performance of the dishwasher.
- Refill the rinse aid compartment when you get a rinse refill alert message on the control panel.
- Only use a liquid rinse aid. A Powdered rinse aid will clog the opening of the compartment causing the dishwasher to malfunction.
- You can set the desired amount of rinse aid to dispense during each cycle. (Refer to the “Settings” section for more information.)

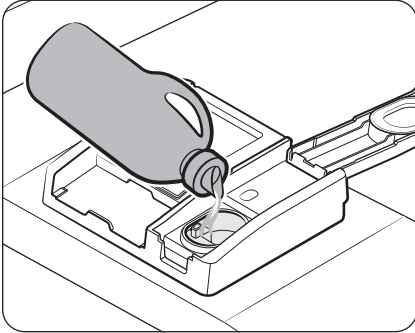
**CAUTION**

- Do not apply any type of detergent to the rinse aid compartment.
- Do not excessively fill the rinse aid compartment as it may overflow during a cycle.

## Filling the rinse aid



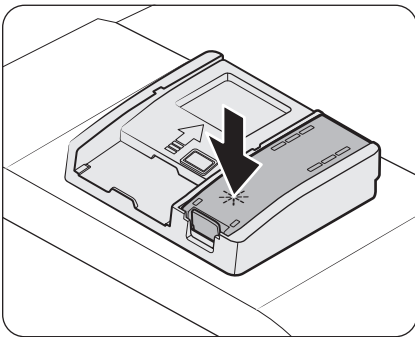
1. Open the rinse aid compartment cover



2. Fill the rinse aid compartment with the rinse aid.

**⚠ CAUTION**

Do not fill the rinse aid over the max line in the compartment. Excess rinse aid can overflow during the wash cycle.



3. Close the rinse aid compartment cover.

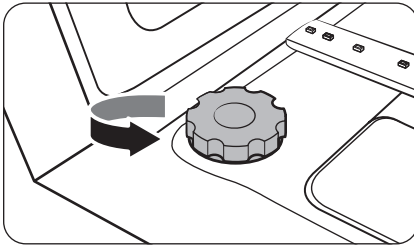
# Before you start

## Salt storage

### ⚠ CAUTION

- Use dishwasher-specific salt only. Do not use any other type of salt or solvent as it may damage the salt storage and the water softening system.
- To prevent corrosion caused by an excessive amount of salt or salty water, always fill the salt storage before a washing cycle gets started.

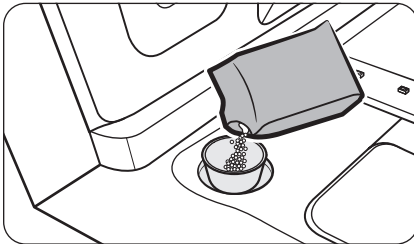
### Filling the salt storage



1. Open the door.
2. Turn the cap counterclockwise to open.

### 📖 NOTE

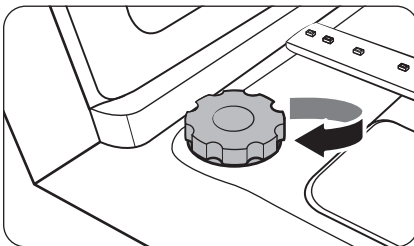
When you open the salt storage lid, water inside the storage may flow out.



3. Fill the salt storage with water (only required when using the dishwasher for the first time).
4. Fill the salt storage with dishwasher salt.
  - Use the provided Salt guide to prevent salt from spilling inside the dishwasher.

### ⚠ CAUTION

- The maximum capacity is about 1 kg. Do not exceed the capacity.
- Exceeding the capacity may affect the dishwasher's performance.



5. Turn the cap clockwise to close.

### 📖 NOTE

To clean excess salt or salt water from the dishwasher, run the Express cycle.

Do not use Pre Wash or Babycare cycle right after refilling the salt storage.

---

## SmartThings

---

### Wi-Fi connection

On your phone, go to Settings and connect to your home Wi-Fi network.

### Download

On an app market (Google Play Store, Apple App Store, Samsung Galaxy Apps), find the SmartThings app with a search term of "SmartThings". Download and install the app on your device.

#### NOTE

- The SmartThings app is designed for Android 8.0 or later, IOS 13.0 or later.
- For improved performance, the SmartThings app is subject to change without notice, or discontinued support according to the manufacturer's policy.


### Log in

You must first log into SmartThings with your Samsung account. To create a new Samsung account, follow the instructions on the app. You don't need a separate app to create your account.

#### NOTE

If you have a Samsung account, use the account to log in. A registered Samsung phone user automatically logs in.

### To register your device to SmartThings

1. Make sure your phone is connected to a wireless network.
2. Run **SmartThings** on your phone. iPhone users are required to provide the login information each time they access the app.
3. When a message of "**A new device is found.**", select **Add**.
4. If no message appears, select **+** and select your dishwasher in a list of devices available. If your dishwasher is not listed, select **Device Type > Specific Device Model**, and then add your dishwasher manually.
5. Follow the on-screen instructions to complete the connection process for your dishwasher. Press and hold **Smart Control**  for more than 5 seconds until the "**AP**" message appears on the display. Your dishwasher will be registered with the app.
6. When the process is complete, your dishwasher will appear in the list of devices on your SmartThings App.
7. Tap the dishwasher icon to open the dishwasher page.
8. When a network connection is established, the Wi-Fi icon lights up on your dishwasher.

# Before you start

---

## Dishwasher app

Integrated control: You can monitor and control your dishwasher both at home and on the go.

- Select the dishwasher icon on SmartThings. The dishwasher page appears.
- Check the operation status or notifications related to your dishwasher, and change options or settings if necessary.

### NOTE

- This device is designed for household use only (Class B), and can be used in all residential areas.
- This device may cause wireless interference, and neither the manufacturer nor the installer of this device can provide a safety measure of any kind.
- Recommended encryption methods are WPA/TKIP and WPA2/AES. Newly developed Wi-Fi protocols or unapproved Wi-Fi protocols are not supported.
- The reception sensitivity of a wireless network may be affected by surrounding wireless environments.
- If your Internet provider has registered the MAC address of your PC or the modem module for permanent use, your Samsung dishwasher fails to connect to the Internet. If this happens, contact your Internet provider.
- The Internet firewall may interrupt your Internet connection. If this happens, contact your Internet provider.
- If Internet failure continues after following the measurement of your Internet provider, contact a local Samsung retailer or service centre.
- For installing wired and wireless routers, refer to the user manual of the router you use.
- Samsung dishwasher supports the Wi-Fi 2.4 GHz protocols.
- Samsung dishwasher supports the IEEE802.11 b/g/n (2.4 GHz), Soft-AP protocols. (IEEE802.11n is recommended)
- An unapproved wired/wireless router may fail to connect to Samsung dishwasher.
- The SmartThings app is available on Android devices with OS 8.0 or higher and iOS devices with iOS 13 or higher. The app is optimised for Samsung phones (Galaxy S and Note series).
- Some functions of the app may operate differently on third-party devices.
- The app is subject to change without notice for improved performance.
- In addition, further updates on the app or the function in the app may stop caused by usability and security reasons, even if updates are currently supported on your OS.
- Your device uses non-harmonised frequency and is intended for use in all European countries. The WLAN can be operated in the EU without restriction indoors, but cannot be operated outdoors in France.
- You can easily install the SmartThings app or use the product with your phone by scanning the QR code on the attached label.
- Hereby, Samsung Electronics, declares that the radio equipment type appliance is in compliance with Directive 2014/53/EU. The full text of the EU declaration of conformity is available at the following internet address: The official Declaration of conformity may be found at <http://www.samsung.com, go to Support > Search Product Support and enter the model name.>
- The overall standby power consumption is 2.0 W in which all network ports stay in "on" condition.
  - Data determined according to standard EN 50564 and Regulation (EC) No 1275/2008

Wi-Fi	
Frequency range	Transmitter power (Max)
2412 MHz - 2472 MHz	20 dBm

## SmartThings functions

Category	Function	Description
Monitoring	Washing status	You can check the current cycle and its options, and the remaining cycle time.
	Smart Control	The Smart Control status is shown for the dishwasher.
	Energy monitor	Use this to monitor the energy consumption status.
Control	Start/Pause/Cancel	Select a cycle and necessary options, and then select Start/Pause/Cancel to start an operation, to stop temporarily, or to cancel the current operation.
	Delay Start	Set Delay Start to start the cycle at a scheduled time (up to 24 hours).
	Auto Open Door (Applicable models only)	You can turn this function off, or adjust the Auto open door pressure setting from one of the following three levels. <ul style="list-style-type: none"> <li>Light (Default), Medium / Firm</li> </ul>
	Lighting (Applicable models only)	Use this to set the brightness level of the light on the door.
Notification	Cycle completed	Notifies you when the current cycle is complete.
	Detergent	Notifies you if the dishwasher is out of rinse aid.

# Before you start

---

## Open Source Announcement

---

The software included in this product contains open source software.

The following URL [http://opensource.samsung.com/opensource/SMART\\_TP1\\_0/seq/0](http://opensource.samsung.com/opensource/SMART_TP1_0/seq/0) leads to open source license information as related to this product.



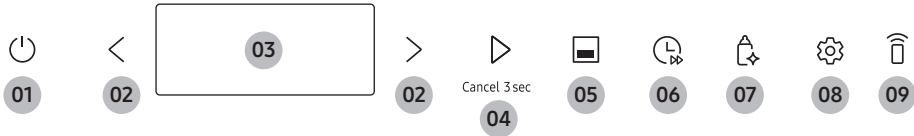
## Security updates information

Security updates are provided to strengthen the security of your device and protect your personal information. For more information on security updates, visit <https://security.samsungda.com>.

- The website supports only some languages.

# Operations

## Control panel



<b>01 Power</b>	<ul style="list-style-type: none"> <li>Tap this button to turn the dishwasher on or off.</li> </ul>
<b>02 Left/Right</b>	<ul style="list-style-type: none"> <li>Use these buttons to navigate through the cycles or options.</li> </ul>
<b>03 Display</b>	<ul style="list-style-type: none"> <li>You can check various information on the display. <ul style="list-style-type: none"> <li>The display shows the selected cycle, options, alert message, and related information.</li> </ul> </li> </ul>
<b>04 Start</b>	<ul style="list-style-type: none"> <li>Tap this button to start the operation or to confirm a selection. <ul style="list-style-type: none"> <li><b>Cancel &amp; Drain:</b> Touch and hold this button for 3 seconds to cancel the current cycle and drain the dishwasher.</li> </ul> </li> </ul>
<b>05 Half Load</b>	<ul style="list-style-type: none"> <li>Tap this button to turn the Half Load  option on or off. <ul style="list-style-type: none"> <li>Use this option to run a wash cycle with fewer items, using the lower rack.</li> <li>This option is unavailable with the Machine Care, Babycare, Drinkware and Pre Wash cycles.</li> </ul> </li> </ul>
<b>06 Speed Booster</b>	<ul style="list-style-type: none"> <li>Tap this button to turn the Speed Booster  option on or off. <ul style="list-style-type: none"> <li>Use this option to reduce the cycle time.</li> <li>This option is available with the AI wash, ECO, Intensive, Extra Silence, Pots &amp; Pans, and Delicate cycles.</li> </ul> </li> </ul>
<b>07 Hygiene Plus</b>	<ul style="list-style-type: none"> <li>Tap this button to turn the Hygiene Plus  option on or off. <ul style="list-style-type: none"> <li>Use this option to increase the water temperature up to 75 °C in the final rinse process for high-temperature sanitization.</li> <li>This option is unavailable with the Delicate, Express, Machine Care, Plastic, Babycare and Pre Wash cycles.</li> </ul> </li> </ul>
<b>08 Settings</b>	<ul style="list-style-type: none"> <li>Tap this button to enter the settings menu. <ul style="list-style-type: none"> <li>Refer to the <b>Settings menu</b> section for details.</li> <li>You can change various settings.</li> </ul> </li> </ul>
<b>09 Smart Control</b>	<ul style="list-style-type: none"> <li>You can turn the Smart Control  on or off. <ul style="list-style-type: none"> <li>Turning on the Smart Control  allows remote access to the dishwasher.</li> </ul> </li> </ul>

# Operations






## Cycle overview

Cycle	Description
ECO	<ul style="list-style-type: none"><li>• This cycle is for washing normally soiled dishes with less energy use.<ul style="list-style-type: none"><li>- This cycle takes a longer time to complete for less energy consumption.</li></ul></li></ul>
AI wash	<ul style="list-style-type: none"><li>• The dishwasher sets the appropriate wash time and water temperature according to the detected soil level for effective washing.</li></ul>
Intensive	<ul style="list-style-type: none"><li>• This cycle is for washing heavily soiled items.</li></ul>
Delicate	<ul style="list-style-type: none"><li>• This cycle is for lightly soiled, fragile items such as glasses.<ul style="list-style-type: none"><li>- The items must be dishwasher-safe.</li></ul></li></ul>
Express	<ul style="list-style-type: none"><li>• This cycle is best for quickly washing normally soiled, daily-using items.</li></ul>
Pre Wash	<ul style="list-style-type: none"><li>• This cycle is for pre-washing the items with cold water to remove dirt before running another wash cycle.</li></ul>
Extra Silence	<ul style="list-style-type: none"><li>• This cycle washes the items more quietly than standard wash cycles. The operation time takes a bit longer to minimise the operation noise.</li></ul>
Pots & Pans	<ul style="list-style-type: none"><li>• This cycle is for washing cookware such as pots and pans that are heavily soiled.</li></ul>
Plastic	<ul style="list-style-type: none"><li>• This cycle is for washing plastic dishes that are sensitive to heat and temperature.</li></ul>
Babycare	<ul style="list-style-type: none"><li>• This cycle is for rinsing dishes with high-temperature water before drying.</li><li>• No detergent is used in this cycle.</li></ul>
Drinkware	<ul style="list-style-type: none"><li>• This cycle is for quickly washing lightly-soiled drinkware such as cups or tumblers using only the lower rack.<ul style="list-style-type: none"><li>- The items must be dishwasher-safe.</li></ul></li></ul>
Machine Care	<ul style="list-style-type: none"><li>• This cycle is for cleaning the inside of the dishwasher.</li><li>• Do not operate this cycle with the racks loaded with any items. Empty the dishwasher before running this cycle.</li></ul>


---

## Operating a cycle

---

1. Open the door, and then load the dishwasher. Make sure to remove food remains and waste on the dishes.
  - Do not load the dishwasher if you are going to use the Machine Care cycle.
2. Add detergent into the detergent compartment. For better results, add rinse aid into the rinse aid compartment.
3. Tap **Power**  to turn on the dishwasher.
4. Tap the < or > buttons to select the desired cycle.
5. Select the desired additional functions.
  - Tap **Half Load** , **Speed Booster** , or **Hygiene Plus**  to enable or disable each function.
  - Some functions may not be available depending on the selected cycle.
6. Tap **Start** , and then close the door.
  - The dishwasher starts the cycle after draining for a few seconds.



### NOTE

- To cancel the cycle, touch and hold **Start**  for 3 seconds.
- To resume after you have opened the door to stop the dishwasher while operating, simply close the door.









# Operations




## Settings

You can change your settings to your preference according to the following instructions.

1. Tap **Settings** .
2. Tap < or > to navigate through the settings menu.
3. Tap **Start**  to select. Refer to the **Settings menu** section for detailed instructions on changing each setting.

### Settings menu

Setting	Description / Setting instruction
<b>Delay Start</b>	<p>You can start the dishwasher operation at a desired time. Select from 1 to 24 hours to delay the start of the dishwasher.</p> <ol style="list-style-type: none"><li>1. Tap &lt; or &gt; to select the desired time.</li><li>2. Tap <b>Start</b>  to save.<ul style="list-style-type: none"><li>- You can tap <b>Settings</b>  to cancel the setting.</li></ul></li></ol> <p> <b>NOTE</b> You must select the desired wash cycle before setting Delay Start.</p>
<b>Dose per Rinse</b>	<p>You can set the desired amount of rinse aid to dispense during each cycle.</p> <ol style="list-style-type: none"><li>1. Tap &lt; or &gt; to select the desired amount.</li><li>2. Tap <b>Start</b>  to save.<ul style="list-style-type: none"><li>- The setting is canceled automatically if you do not tap <b>Start</b>  within a few seconds.</li></ul></li></ol> <p> <b>NOTE</b> To disable the rinse aid refill notification, set this function to off.</p>
<b>My Cycles</b>	<p>You can select to show or hide some of the cycles on the list.</p> <ol style="list-style-type: none"><li>1. Tap &lt; or &gt; to move up or down the list of cycles.</li><li>2. Tap <b>Start</b>  to show or hide the selected cycle.<ul style="list-style-type: none"><li>- Checked cycles will be shown and the unchecked ones will be hidden on the list of cycles.</li><li>- The Normal cycle cannot be hidden from the list.</li></ul></li><li>3. Tap <b>Settings</b>  to save.</li></ol>

Setting	Description / Setting instruction
Water hardness	<ol style="list-style-type: none"> <li>1. Tap &lt; or &gt; to select the water hardness level according to the water hardness in your area.</li> <li>2. Tap <b>Start</b> ▷ to save. <ul style="list-style-type: none"> <li>- The setting is canceled automatically if you do not tap <b>Start</b> ▷ within a few seconds.</li> </ul> </li> </ol> <p> <b>NOTE</b></p> <p>Refer to the “<b>Determining the water hardness level</b>” section to determine the water hardness setting.</p>
Auto Release Dry	<p>You can set the dishwasher to open the door automatically at the end of the wash cycle for better drying results.</p> <ol style="list-style-type: none"> <li>1. Tap &lt; or &gt; to select <b>On</b> or <b>Off</b>.</li> <li>2. Tap <b>Start</b> ▷ to save. <ul style="list-style-type: none"> <li>- The setting is canceled automatically if you do not tap <b>Start</b> ▷ within a few seconds.</li> </ul> </li> </ol> <p> <b>NOTE</b></p> <ul style="list-style-type: none"> <li>• If you enable this function, the door opens automatically at the end of the wash cycle. When the Auto Release Dry function activates at the end of a cycle, do not block or close the door.</li> <li>• Turn on this function for better drying results.</li> </ul>
AI Pattern	<p>Conveniently use the cycles that you use frequently. You can set your dishwasher to remember the frequently used cycles and settings and display them in frequently used order.</p> <ol style="list-style-type: none"> <li>1. Tap &lt; or &gt; to select <b>On</b> or <b>Off</b>.</li> <li>2. Tap <b>Start</b> ▷ to save. <ul style="list-style-type: none"> <li>- The setting is canceled automatically if you do not tap <b>Start</b> ▷ within a few seconds.</li> </ul> </li> </ol>
Lock	<p>To prevent children from playing with the dishwasher, enable this function to lock all the buttons except for <b>Power</b> ⏻ and <b>Settings</b> ⚙️.</p> <ul style="list-style-type: none"> <li>• Tap <b>Start</b> ▷ to enable Lock. <ul style="list-style-type: none"> <li>- To disable Lock, touch and hold <b>Settings</b> ⚙️ for 3 seconds.</li> </ul> </li> </ul> <p> <b>NOTE</b></p> <p>Turning off the dishwasher does not disable this function. You must touch and hold <b>Settings</b> ⚙️ for 3 seconds to manually disable the function.</p>

# Operations

Setting	Description / Setting instruction
System Settings	<p>You can change various system settings.</p> <ol style="list-style-type: none"> <li>1. Tap &lt;or&gt; navigate through the System Settings menu.</li> <li>2. Tap <b>Start</b> ▷ to select.</li> <li>3. Change the setting based on the setting you selected. <ul style="list-style-type: none"> <li>- Refer to the following instructions for specific settings.</li> </ul> </li> </ol>
	<p><b>Auto Open Door</b></p> <p>You can select the sensitivity level required to open the door when using the Auto Open Door function.</p> <ol style="list-style-type: none"> <li>1. Tap &lt;or&gt; to select <b>Light pressure, Medium pressure, or Firm pressure.</b></li> <li>2. Tap <b>Start</b> ▷ to save.</li> </ol>
	<p><b>Volume</b></p> <p>You can change the volume of the sound.</p> <ol style="list-style-type: none"> <li>1. Tap &lt;or&gt; to select <b>Mute, Minimum, Normal or Maximum.</b></li> <li>2. Tap <b>Start</b> ▷ to save. <ul style="list-style-type: none"> <li>- The setting is canceled automatically if you do not tap <b>Start</b> ▷ within a few seconds.</li> </ul> </li> </ol>
	<p><b>Language</b></p> <p>You can change the system language.</p> <ol style="list-style-type: none"> <li>1. Tap &lt;or&gt; to select the desired language.</li> <li>2. Tap <b>Start</b> ▷ to save. <ul style="list-style-type: none"> <li>- The setting is canceled automatically if you do not tap <b>Start</b> ▷ within a few seconds.</li> </ul> </li> </ol>
	<p><b>Wi-Fi</b></p> <p>You can turn the dishwasher's Wi-Fi on or off.</p> <ol style="list-style-type: none"> <li>1. Tap &lt;or&gt; to select <b>On or Off.</b></li> <li>2. Tap <b>Start</b> ▷ to save. <ul style="list-style-type: none"> <li>- The setting is canceled automatically if you do not tap <b>Start</b> ▷ within a few seconds.</li> </ul> </li> </ol>
	<p><b>Factory Reset</b></p> <p>You can reset the dishwasher to the factory setting.</p> <ol style="list-style-type: none"> <li>1. Tap &lt;or&gt; to select <b>Reset or Cancel.</b></li> <li>2. Tap <b>Start</b> ▷ to confirm.</li> </ol>

## Determining the water hardness level

### NOTE

If the water hardness level in your area is 0, you do not need to use dishwasher-specific salt. However, you must set the water hardness setting for the dishwasher to 0.

Level	Water hardness level				Water hardness Regeneration softening/ washing cycle (ECO cycle)	Salt injection
	°dH	°TH	mmol/L	Range		
0	<6	<10	<1.0	No recycle	No	No
1	6-14	10-25	1-2.5	1/8	Yes	Yes
2	14-23	25-40	2.5-4.0	1/5	Yes	Yes
3	23-31	40-55	4.0-5.5	1/3	Yes	Yes
4	31-40	55-70	5.5-7.0	1/2	Yes	Yes
5	>40	>70	>7.0	1/1	Yes	Yes

For better washing results, we recommend softening the water. Hard water contains impurities that can reduce the washing performance. You should soften the water if the supplied water is harder than 1.0 mmol/L (6 °d – German scale).

- To soften the water, you need dishwasher-specific salt and adjust the water hardness level according to your area. For more information about the water hardness level in your area, contact your local water department.
- If the hardness level of the supplied water supply is unsteady, set the water hardness level to its highest. For example, if the water hardness reading ranges from 6.7 mmol/L to 9.0 mmol/L, set the water hardness level for the highest value, which is 9.0 mmol/L.
- The dishwasher's default water hardness level is 4 (5.5-7.0 mmol/L). If this setting matches the water hardness level in your area, you do not need to change it.
- Regeneration occurs during the drying process with an additional 4.3-4.9 L of water use and an extra 24-29 minutes of operation time. The energy used may be increased but this should be by an insignificant amount.

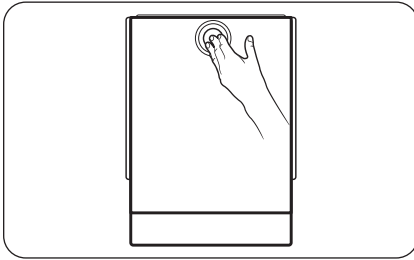
# Operations

---

## Special features

---

### Auto Open Door function



1. Gently press and release the center of the top part of the door. The door will then automatically open slightly.  
You can adjust the Auto open door pressure setting in the SmartThings app. See the "**SmartThings functions**" section for more information.
2. When the door slightly opens, hold the top part of the door and fully open it.
  - The door does not close automatically. Close the door manually after use.

#### NOTE

To open the door during a cycle, press and hold the center of the top part for about 1 second until the release alarm sounds.

#### CAUTION

- Do not push or force stop the door while it is opening automatically. It may cause the product to malfunction.
- If the door resists opening after repeated door opening, wait for about a minute and then try again. (It may be hard to open the door immediately after closing it due to air pressure change inside the dishwasher which occurs when you open and close the door.)

# Maintenance

---

## Cleaning

---

Keep the dishwasher clean to improve performance, reduce unnecessary repairs, and lengthen its lifecycle.

### Exterior

Clean spills on the surface of the dishwasher immediately. Use a soft, damp cloth on the control panel to gently wipe away spills and dust.

#### CAUTION

- Do not use benzene, wax, thinner, chlorine bleach, alcohol, or other chemical substances. These materials may discolour the surface of the dishwasher and cause stains.
- The dishwasher has electric parts inside. Do not spray water directly onto the dishwasher. Protect electrical components from water.
- For a stainless-steel door panel, use a stainless-steel cleaner for home appliances and a clean, soft cloth.

### Interior

- Clean the interior of the dishwasher on a regular basis to remove any dirt or food particles. Wipe inside the dishwasher and inside the door with a wet dishcloth.
- Use the **Machine Care** cycle every month to keep the interior clean and prevent bad odours.
- If your tap water is hard, you can prevent limescale inside the dishwasher by adding citric acid to the detergent when operating the dishwasher.

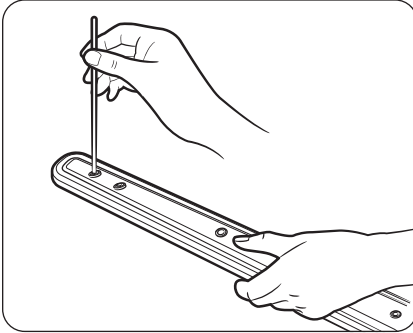
#### CAUTION

- Do not remove the front seal (the long rubber seal enclosing the opening of the dishwasher). The seal keeps the inner side of the dishwasher sealed.
- Use a damp cloth to remove the lime scale or grease deposits inside the dishwasher. Alternatively, apply some detergent, and then run an empty cycle using the highest rinse temperature.

# Maintenance

## Spray arms

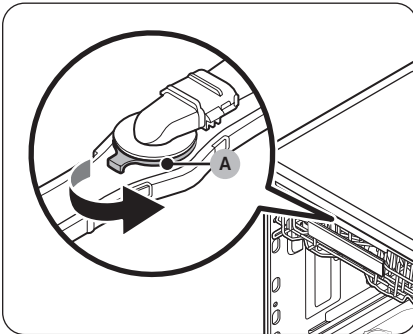
To prevent the spray arms from being clogged or if the spray arms are clogged, remove and clean each spray arm. Use caution when removing the spray arms as they may break.



### NOTE

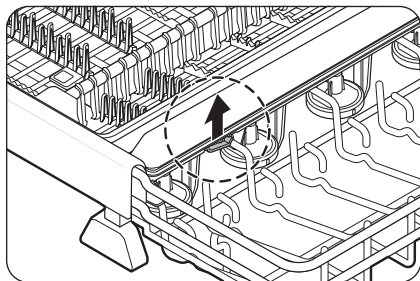
If the holes on the spray arms are clogged, use a thin pointed tool to clear them. To avoid damaging the hole walls, use a tool smaller than the holes and do not use a hot needle.

## Top spray arm

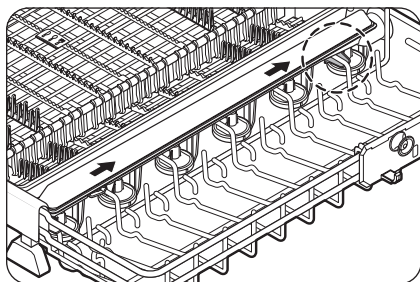


1. Open the door.
2. Remove the upper rack.
  - Refer to the “**Removing the upper rack**” section for detailed instructions.
  - The top spraying arm is attached on the top interior wall
  - If your model has a cutlery rack, pull it out to access the top spraying arm.
3. Hold the **handle (A)**, and then push it to the right to release the top spray arm.
4. Unclog and clean the spray arm.
5. Reinsert the spray arm, and then push the **handle (A)** to the left to tighten it.
6. Rotate the spray arm to make sure it is correctly assembled.

### Cup wash spray nozzle

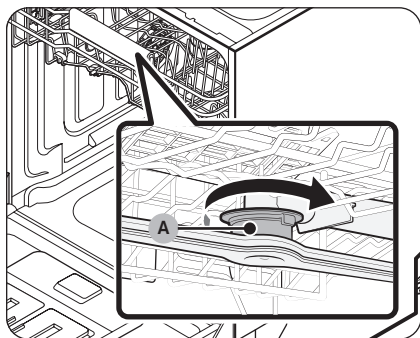


1. Release the hook at the front of the cup wash spray nozzle.
2. Slide the nozzle toward the rear to remove it from the 3rd rack.



3. Unclog and clean the nozzle.
4. Assemble the nozzle.
  - Secure the rear hook (as shown in the figure) by attaching it to the 3rd rack, then slide the nozzle back into place until it clicks securely.

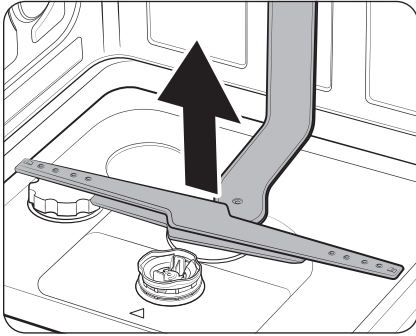
### Middle spray arm



1. Open the door, and then pull out the upper rack.
  - The middle spray arm is attached underneath the upper rack.
2. Hold the **handle (A)**, and then push it to the right to release the top spray arm.
3. Unclog and clean the spray arm.
4. Reinsert the spray arm, and then push the **handle (A)** to the left to tighten it.
5. Rotate the spray arm to make sure it is correctly assembled.

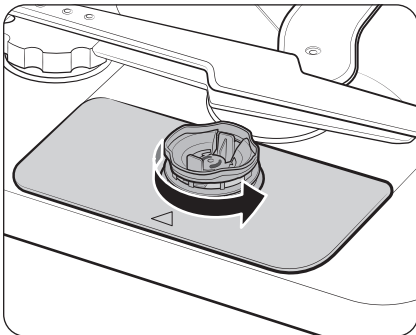
# Maintenance

## Bottom spray arm

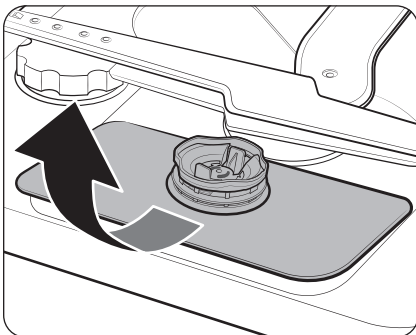


1. Open the door.
2. Remove the lower rack.
  - The bottom spray arm is attached on the bottom interior wall.
3. Pull the bottom spray arm to remove it.
4. Unclog and clean the spray arm.
5. Reinsert the spray arm.
6. Rotate the spray arm to make sure it is correctly assembled.

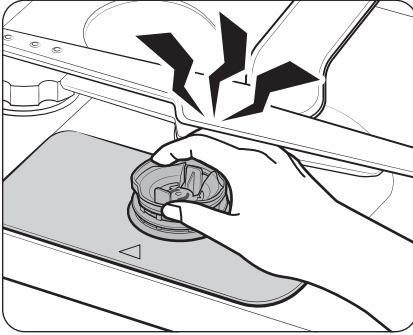
## Filters



1. Open the door, and then remove the lower rack.
2. Turn the coarse filter anticlockwise to unlock the assembled filters.

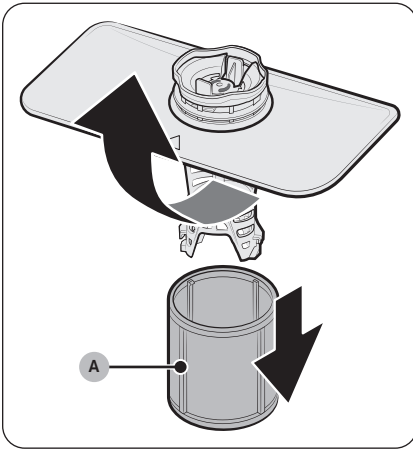


3. Lift the assembled filters and remove them from the bottom of the dishwasher.

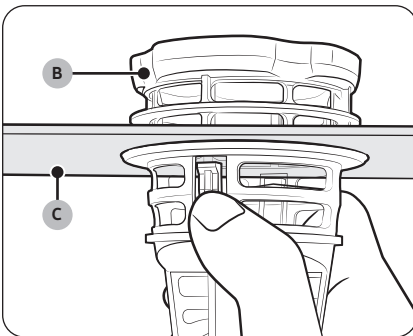


**⚠ CAUTION**

Watch your hand when removing the filters. Your hand could get caught between the bottom spraying arm and the filters.



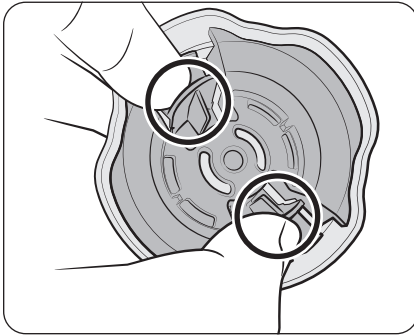
**4. Disassemble the **micro filter (A)**.**



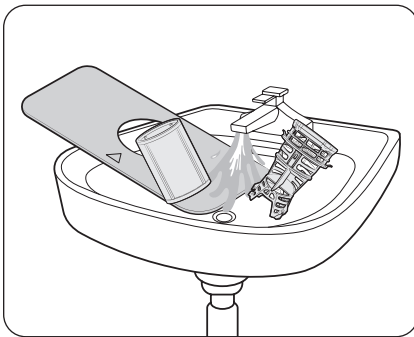
**5. Disassemble the **coarse filter (B)** and the **fine filter (C)**.**

- While pressing the two release tabs on the **coarse filter (B)**, lift it to remove.

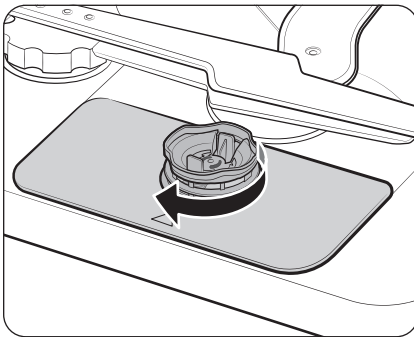
# Maintenance



6. Remove the coarse filter cap.
  - While pressing the two release tabs on the cap, lift to remove it.



7. Thoroughly clean all the disassembled filters in running water.
8. Dry the filters before putting them back into the dishwasher.

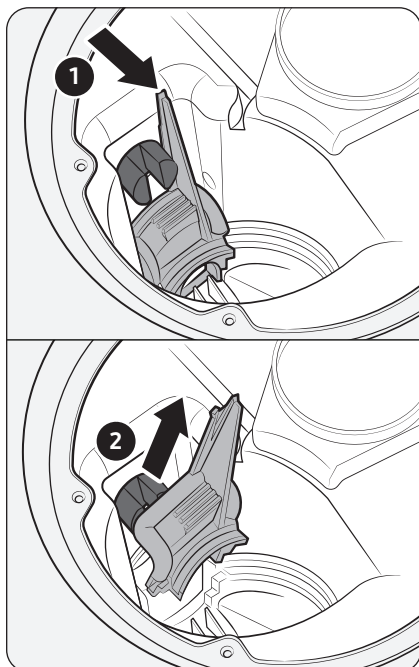


9. Assemble all the filters and put them back into the dishwasher.
10. Turn the filter handle clockwise to lock the filters.

---

## Drain pump

If the dishwasher fails to drain (**5C** is displayed) because the drain pump is clogged with foreign matter or there is an abnormal noise coming from the drain pump, you must unclog and clean the drain pump according to the following instruction.



1. Remove the lower rack.
2. Refer to the “**Filters**” section to remove the filters.
3. Remove the drain-pump cover.
  - Push the handle in the direction of the arrow (1), and then pull it up (2).
4. Check the pump’s impeller, and then clean it thoroughly.
5. Put the drain-pump cover in the reversed order or removal.
  - Make sure you hear a clicking sound.

## Long-term care

If you will not use the dishwasher for an extended period of time, first drain the unit completely, and then disconnect the water hose. Shut off the water supply valve and the circuit breaker. Water remaining in the hoses or the internal components can damage the dishwasher.

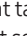

# Troubleshooting

## Checkpoints

If you encounter an issue with the dishwasher, first check the table below and try the suggestions.

Following the repair by a non-authorized service provider, self-repair or non-professional repair of the product, Samsung is not liable for any damage to the product, any injury or any other product safety issue caused by any attempt to repair the product which does not carefully follow these repair and maintenance instructions. Any damage to the product caused by an attempt to repair the product by any person other than a Samsung certified service provider will not be covered by the warranty

Symptom	Possible cause	Action
<b>The dishwasher does not start.</b>	The door is not completely closed.	<ul style="list-style-type: none"><li>• Make sure the door is latched and completely closed.</li><li>• Make sure the middle spray arm water supply tube is properly connecting to the water outlet at the rear interior wall.</li><li>• Make sure the upper rack is properly inserted.</li></ul>
	The power cord is not connected.	<ul style="list-style-type: none"><li>• Connect the power cord.</li></ul>
	Water is not being supplied.	<ul style="list-style-type: none"><li>• Make sure the water supply valve is open.</li></ul>
<b>The dishwasher has bad odours.</b>	Water remains from the previous cycle.	<ul style="list-style-type: none"><li>• With the dishwasher empty, add detergent, and then run the Express cycle.</li></ul>
<b>Water remains in the dishwasher after a cycle has finished.</b>	The drain hose is kinked or clogged	<ul style="list-style-type: none"><li>• Straighten and unclog the drain hose.</li></ul>

Symptom	Possible cause	Action
Food remains on dishes.	An incorrect cycle was selected.	<ul style="list-style-type: none"> <li>Select a cycle according to the soil level of the dishes as instructed in this manual.</li> </ul>
	The filters are clogged or not correctly fastened.	<ul style="list-style-type: none"> <li>Clean the filters.</li> <li>Make sure the filters are correctly fastened.</li> </ul>
	An insufficient amount of detergent was used.	<ul style="list-style-type: none"> <li>Use the correct amount of detergent for each load.</li> </ul>
	The water pressure is low.	<ul style="list-style-type: none"> <li>Make sure the pressure is between 0.05-0.8 Mpa.</li> </ul>
	The spray arms are clogged.	<ul style="list-style-type: none"> <li>Clean and unplug the spray arms.</li> </ul>
	Dishes are improperly loaded or overloaded.	<ul style="list-style-type: none"> <li>Arrange the dishes so they do not interfere with the spray arms or the detergent dispenser.</li> </ul>
Dishes are not dried well enough	The rinse aid compartment is empty.	<ul style="list-style-type: none"> <li>Fill the rinse aid compartment with the rinse aid.</li> </ul>
	Not enough rinse aid was used.	<ul style="list-style-type: none"> <li>Change the Dose per Rinse setting.</li> </ul>
	Too many dishes were loaded.	<ul style="list-style-type: none"> <li>Overloading may reduce the drying performance. Load your dishes as recommended.</li> </ul>
	Glasses and cups spilled water onto other dishes while being unloaded.	<ul style="list-style-type: none"> <li>Empty the lower rack first, and then the upper rack. This will avoid water dripping from the upper rack onto the dishes in the lower rack.</li> </ul>
	Multiple detergent tablets were used without selecting the Hygiene Plus  option.	<ul style="list-style-type: none"> <li>Select the <b>Hygiene Plus</b>  option or use a rinse aid.</li> </ul>
The dishwasher is too noisy.	The detergent compartment is opened to dispense the detergent.	<ul style="list-style-type: none"> <li>This is normal.</li> </ul>
	The drain pump is operating.	<ul style="list-style-type: none"> <li>This is normal.</li> </ul>
	The dishwasher is not level.	<ul style="list-style-type: none"> <li>Make sure the dishwasher is level.</li> </ul>
	The spray arm bumps against the dishes, creating a chopping sound.	<ul style="list-style-type: none"> <li>Rearrange the dishes.</li> </ul>

# Troubleshooting

---

Symptom	Possible cause	Action
A layer of the yellow or brown stain remains on dishes.	Coffee and tea soils.	<ul style="list-style-type: none"><li>• Use a cycle with a higher temperature water.</li></ul>
The display is not turning on.	The power cord is not connected.	<ul style="list-style-type: none"><li>• Check power supply is present.</li></ul>
The spray arms do not rotate smoothly.	The spray arms are clogged with food particles.	<ul style="list-style-type: none"><li>• Clean the spray arms.</li></ul>
The dishwasher bubbles up and the foam remains too much on the front.	Regular detergent was used instead of dishwasher detergent.	<ul style="list-style-type: none"><li>• Always use dishwasher detergent.</li><li>• Turn the dishwasher off and remove the bubbles.</li></ul>

---

## Information codes

---

If the dishwasher fails to operate, you may see an information code on the display. Check the table below and try the suggestions.

Code	Action
LC	<b>Leakage check</b> <ul style="list-style-type: none"><li>• Close the water supply valve. Go to your home's circuit breaker panel, and set the dishwasher's circuit breaker switch to off. Contact the installer to repair. If the issue continues, contact a local Samsung service centre.</li></ul>
4C	<b>Water supply check</b> <ul style="list-style-type: none"><li>• Check if the water supply valve is closed, if the water supply is suspended, or if the water inlet valve or line is frozen or clogged by foreign particles. If the issue continues, contact a local Samsung service centre.</li></ul>
HC	<b>High temperature heating check</b> <ul style="list-style-type: none"><li>• Functional check. With the dishwasher empty, add detergent, and then run a cycle. If the issue continues, go to your home's circuit breaker panel, and set the dishwasher's circuit breaker switch to off. Contact a local Samsung service centre.</li></ul>
3C	<b>Washing pump check</b> <ul style="list-style-type: none"><li>• Abnormal working with washing pump. If the issue continues, contact a local Samsung service centre.</li></ul>
1C	<b>Low-water level check</b> <ul style="list-style-type: none"><li>• Check if the filter is clogged.</li><li>• Make sure to use dishwasher detergent.</li><li>• Make sure that the dishes are loaded evenly.</li><li>• Turn the dishwasher off and turn it on again. Then, try again.</li><li>• If the issue continues, contact a local Samsung service centre.</li></ul>
5C	<b>Drain pump check</b> <ul style="list-style-type: none"><li>• Check drain pump and drain pipe. If it is jammed, clean it. If the issue continues, contact a local Samsung service centre.</li></ul>
9C9	<b>The IPM is overheating</b> <ul style="list-style-type: none"><li>• Unplug the appliance and contact a Customer Service centre.</li></ul>

If any information code keeps appearing on the screen, contact a local Samsung service centre.

# Appendix

## Cycle chart

### DW90H79\*A\*\* models

Cycle	AI wash	ECO
Cycle sequence	Pre wash (40 °C) → Main wash (52-58 °C) → Rinse → Hot Rinse (53-58 °C) → Dry → End	Main wash (43 °C) → Rinse → Hot Rinse (38 °C) → Dry → End
Water consumption (L)	9.3-18.2	9.4
Energy consumption (kWh)	0.80-1.30	0.542
Cycle time (min.)	97-150	314

Cycle	Intensive	Delicate	Express
Cycle sequence	Pre wash (45 °C) → Main wash (65 °C) → Rinse → Hot Rinse (63 °C) → Dry → End	Pre wash (40 °C) → Main wash (50 °C) → Rinse → Hot Rinse (50 °C) → Dry → End	Main wash (60 °C) → Rinse (46 °C) → Hot Rinse (60 °C) → Dry → End
Water consumption (L)	16	12.0	9.8
Energy consumption (kWh)	1.45	0.80	1.08
Cycle time (min.)	180	111	92

Cycle	Pre Wash	Machine Care	Extra Silence
Cycle sequence	Pre wash → End	Pre wash → Main wash (70 °C) → Rinse → Hot Rinse (70 °C) → Dry → End	Pre wash → Main wash (60 °C) → Rinse → Hot Rinse (55 °C) → Dry → End
Water consumption (L)	6.6	12.9	13.6
Energy consumption (kWh)	0.01	1.40	1.08
Cycle time (min.)	15	136	257

Cycle	Download cycle			
	Plastic	Babycare	Pots & Pans	Drinkware
Cycle sequence	Main wash (60 °C) → Rinse → Hot Rinse (60 °C) → Dry → End	Hot Rinse (75 °C) → Dry → End	Pre wash (45 °C) → Main wash (68 °C) → Rinse → Hot Rinse (68 °C) → Dry → End	Main wash (60 °C) → Rinse → Hot Rinse (53 °C) → Dry → End
Water consumption (L)	12.9	7.4	15.5	9.4
Energy consumption (kWh)	1.10	1.02	1.53	0.71
Cycle time (min.)	91	91	145	37

### NOTE



- The cycle time depends on the options you have added, and the pressure and temperature of the supplied water.
- The dishwasher drains the remaining water inside automatically if it has not been used for the last 5 days.
- The power consumption depends on the water temperature or load.
- Energy values for cycles were calculated under standardised testing conditions.

---

## Transportation/relocation

---

Make sure the dishwasher is empty with no loose parts. First, drain the dishwasher as follows.

1. Open the door, and then turn the dishwasher on.
2. Select the **ECO** cycle.
3. Tap **Start** , and then close the door.
4. When the cycle is finished, open the door after 5 seconds.
5. Touch and hold **Start**  for 3 seconds to drain water.
6. Close the door.
7. When the draining process is complete, open the door.
8. Turn the dishwasher off, and then shut the water valve off.
9. Disconnect both the water hose and the drain hose.

### **CAUTION**

Do not shake or sway the dishwasher while moving it. Residual water may drip from the dishwasher.

## Protection against frost

---

If you leave the dishwasher in a place with a risk of frost for an extended time, make sure to empty the dishwasher. For details, see the “**Transportation/relocation**” section.

## Disposing the dishwasher and helping the environment

---

Your dishwasher is manufactured from recyclable materials. If you decide to dispose of it, please observe your local waste disposal regulations. Cut off the power cord so that the appliance cannot be connected to a power source.

Remove the door so that animals and children cannot get trapped inside the appliance.

# Appendix

---

## Energy, water saving tip

---

- The ECO cycle is suitable to clean normally soiled tableware, that for this use, it is the most efficient cycle in terms of its combined energy and water consumption, and that it is used to assess compliance with the EU ecodesign legislation (COMMISSION REGULATION (EU) 2019/2022).
- Manual pre-rinsing of tableware items leads to increased water and energy consumption and is not recommended. Use a knife, etc. to remove only large bits of food before loading.
- Water supplied can be up to 60 °C, and less power is consumed when hot water is connected.
- It's better to fill the racks if possible but without overloading.
- Load the tableware to the racks properly to prevent damage and poor performance.
  - Overloading and overlapping tableware may reduce the cleaning and drying performance.
- Load your tableware as recommended.
  - Load the tableware with the concave bottom at an angle so that water can run off.
  - Arrange the tableware so they do not interfere with the spray arms and the detergent dispenser.
- It can make the cleaning and drying performance better, and prevent the noise of spray arms bumping the tableware.
  - To prevent injury from the knives and other utensils with sharp points, it must be loaded in the basket with their points down or placed in a horizontal position.
- To save water and energy, use the ECO cycle. it is the most efficient program when washing normally soiled items.
- Use an appropriate amount of detergent and rinse according to the manufacturer's guidelines.
- Dishwasher use saves water compared to ordinary washing by hand.
- Ecodesign information can be found by going to [www.samsung.com/support](http://www.samsung.com/support).

## EPREL information

---

To access energy labelling information about this product on the European Product Registry for Energy Labelling (EPREL), go to [https://eprel.ec.europa.eu/qr/\\*\\*\\*\\*\\*](https://eprel.ec.europa.eu/qr/*****) where \*\*\*\*\* is the product's EPREL registration number. You can find the registration number on the rating label of your product.

---

## Specifications

---

<b>Model</b>	DW90H79LAFF
<b>Type</b>	Free Standing
<b>Power</b>	220-240 V~, 50H
<b>Water pressure</b>	0.05-0.8 MPa
<b>Wash capacity</b>	14 place settings
<b>Rated power</b>	2000-2300 W
<b>Dimension</b>	598x600x845 mm
<b>Weight (Unpacked)</b>	53 kg
<b>Weight (Packed)</b>	56.5 kg

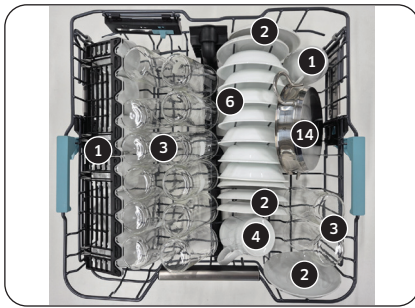
# For standard test

## NOTE

The information for comparability test as follows.

### DW90H79\*\*\*\* Series

- Washing capacity: 14 place settings
- Test standard: EN 60436
- Position of upper rack: lower position
- Position of cutlery rack : lower position
- Wash cycle: ECO
- Additional options: None
- Dose per wash setting: F6
- Water hardness level setting: L2
- Dosage of the standard detergent: main-wash 22 g
- For the arrangement of the items, refer to the below figures



Upper rack



Lower rack



1. Cups  
2. Saucers



3. Glasses



4. Mug cups



5. Glass bowls



6. Dessert bowls



7. Dessert plates



8. Dinner plates



9. Soup plates



10. Oval platter



11. Melamine dessert



12. Melamine bowl



13. Small pot



14. Oven pot



Cutlery rack



15. Soup spoons



16. Forks



17. Knives



18. Tea spoons



19. Dessert spoons



20. Serving spoons



21. Serving forks



22. Gravy ladles

# Memo

---

# Memo

---

# SAMSUNG

## QUESTIONS OR COMMENTS?

COUNTRY	CALL	OR VISIT US ONLINE AT
UK	0333 000 0333	<a href="http://www.samsung.com/uk/support">www.samsung.com/uk/support</a>