

I-P5

SMARTPHONE CASE

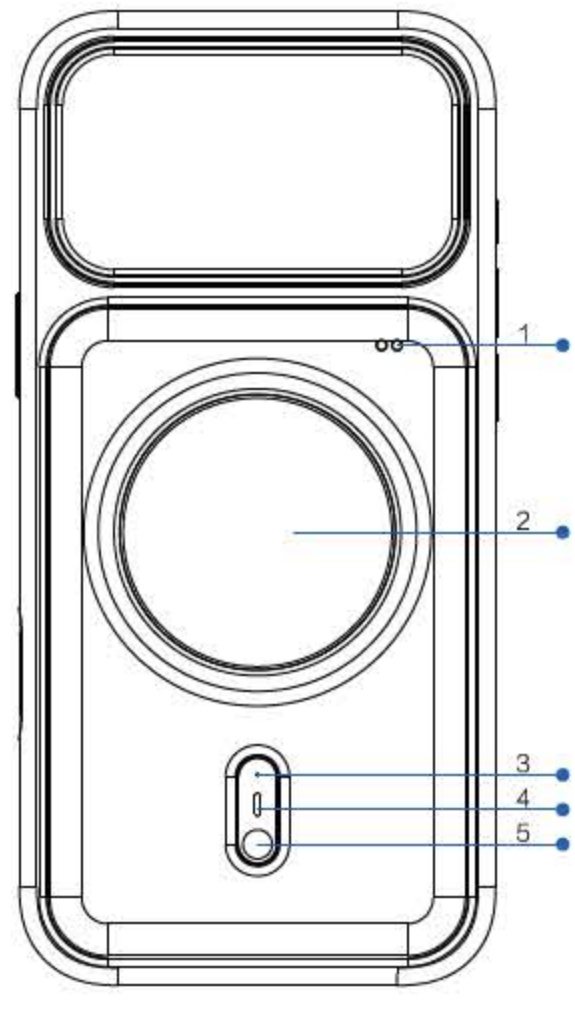


Fere Fit



Please read this instruction manual carefully before using the product and keep it in a safe place.

Product Image



1:Charging contacts 2:View area 3:Recording hole 4:Tip Light 5:Power button

This device complies with Part 15 of the FCC Rules. Operation is subject to the following two conditions:
(1) This device may not cause harmful interference, and (2) this device must accept any interference received, including interference that may cause undesired operation.

NOTE 1: This equipment has been tested and found to comply with the limits for a Class B digital device, pursuant to part 15 of the FCC Rules. These limits are designed to provide reasonable protection against harmful interference in a residential installation. This equipment generates, uses and can radiate radio frequency energy and, if not installed and used in accordance with the instructions, may cause harmful interference to radio communications. However, there is no guarantee that interference will not occur in a particular installation, if this equipment does cause harmful interference to radio or television reception, which can be determined by turning the equipment off and on, the user is encouraged to try to correct the interference by one or more of the following measures:
- Reorient or relocate the receiving antenna.
- Increase the separation between the equipment and receiver.
- Connect the equipment into an outlet on a circuit different from that to which the receiver is connected.
- Consult the dealer or an experienced radio/TV technician for help.

NOTE 2: Any changes or modifications to this unit not expressly approved by the party responsible for compliance could void the user's authority to operate the equipment.

The device has been evaluated to meet general RF exposure requirement. The device can be used in portable exposure condition without restriction.

Thank you for choosing our products. You can learn a full range of how to use the product by reading this manual. This product is mainly used to connect to your mobile phone via Bluetooth and provides a variety of practical functions and services to facilitate your operation of the product.

Charging reminder

Please use the standard charger provided by our company to charge your device; we will not be responsible for any malfunctions caused by using a non-standard charger.

Operating Instructions

Power button : Press and hold to turn the device on or off, press briefly to turn the screen on or off, and click once in the menu to return to the main interface.
Touch gestures: Swipe right to enter the menu ; swipe down to enter the application bar ; swipe up to enter the game ; swipe left to enter the shortcut program .

Connecting the smart case to the phone

First, you need to download and install the " Fere Fit " app on your phone. There are two ways to do this.
1. IOS/Android phone users
Scan the QR code below using your mobile browser or WeChat to open the interface. Select Android/IOS and then open the download in your mobile browser.
The QR code below is for downloading the Fere Fit app.



2. For Android phones, search for " Fere Fit " on Tencent App Store or Google Play Store to download, For Apple phones, search for " Fere Fit " on App Store to download.

After downloading, you will be prompted for various permissions during the installation process. Click "agree" or "allow" for all permissions. Only after the smart case is successfully connected to your phone can all functions be realized.

Bluetooth 5.3 connection method

After installation, open " Fere Fit " and turn on your phone's Bluetooth. Fere Fit will display an activation notification; tap "OK". Tap "More" in the bottom right corner, enter the device scanning section, search for the Bluetooth address, and tap "Connect". Some Android phones require GPS to be enabled to find the smart case's Bluetooth name.

How to verify a successful Bluetooth connection

The smart case pulls up the status bar on the standby screen , if Bluetooth 5.3 is green, it means that Bluetooth is successfully connected; if the Bluetooth icon is gray, it means that Bluetooth is not connected.

Simple solutions to common problems

Because the Bluetooth protocols of different mobile phone brands are not standardized, the Bluetooth connection between the phone and the smart case may sometimes be unstable. You can try turning off Bluetooth on the phone and then reconnecting, or restore the smart case to factory settings.

Function Introduction

Selfie : After connecting to the app, turn on the selfie function and you can preview it in real time through the screen on your smartphone case.



Bullet comments: After connecting to the APP, you can edit text on the mobile APP and send it to the smartphone case for scrolling playback. You can set the font color on the APP and the background color on the smartphone case. You can also set horizontal and vertical scrolling.



Colorful Carousel: Open your smartphone case and activate the colorful carousel; the screen will automatically change colors.



Recording : After turning on the recording function, you can record on the smartphone case. The recording file will be saved to the mobile APP and can be shared from the APP.



Watch face push : (Custom single wallpaper, custom multiple wallpaper carousel, record a short video for 10 seconds)



Reverse charging: Connect to phone Typ- The USB-C port can charge smart protective cases.



Business Card Holder : You can set up QR code business cards for WeChat,

QQ, WhatsApp, X, Facebook, etc. via the APP.
QR code for receiving payments : You can set up a QR code for receiving payments via WeChat, Alipay, PayPal, etc. through the app.
Games: A variety of casual mini-games.
Flashlight : Can be used for simple lighting.
Language settings : 26 built-in languages, and you can set the corresponding language as needed.
Settings: Allows you to configure system settings.
Watch face push: After connecting to the app, you can push analog watch faces, digital watch faces, and custom watch faces (single watch face, multiple watch faces, and dynamic watch faces are available) from the app.
Message notifications : View push notifications from your mobile device, supporting Facebook, Twitter, WhatsApp, QQ, WeChat, etc.
Incoming call alert : After connecting to the app, the phone will simultaneously display the contact person and caller ID when a call comes in.

Thank you for your purchase and reading

尺寸：100*67mm 来料英文版统一在封面

I-P5

智能手机壳

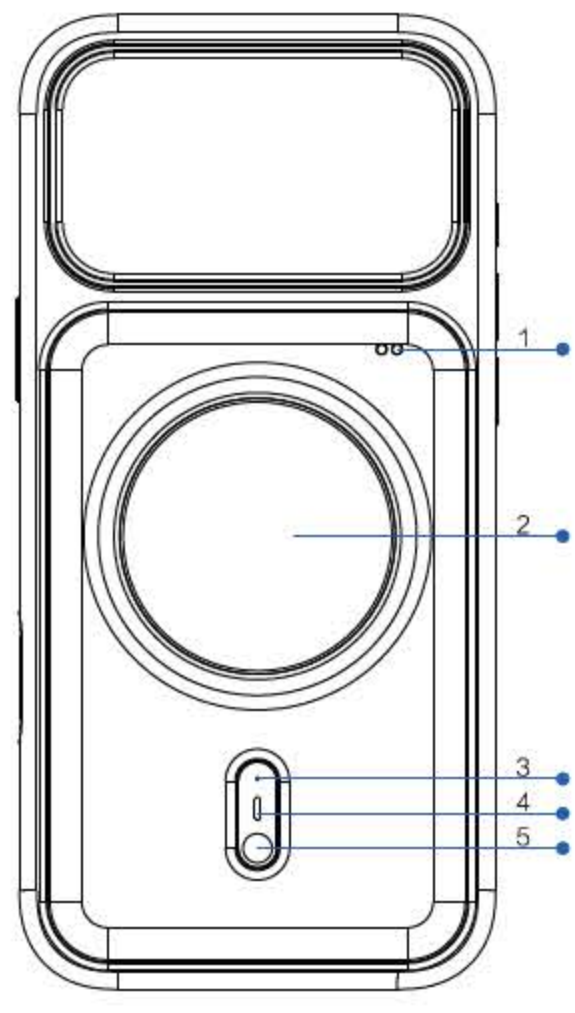


Fere Fit



使用产品前请仔细阅读本说明书，并妥善保管。

产品展示



1:充电触点 2:视窗区域 3:录音孔 4:提示灯 5:开关机键

本设备符合 FCC 规则第 15 部分的规定。操作须符合以下两个条件：
(1) 本设备不得造成有害干扰，(2) 本设备必须接受任何收到的干扰，包括可能导致意外操作的干扰。

注1：本设备经测试符合FCC规则第15部分关于B类数字设备的限制。这些限制旨在为住宅安装提供合理的保护，防止有害干扰。本设备会产生、使用并辐射射频能量，如果未按照说明安装和使用，可能会对无线电通信造成有害干扰。但是，不能保证在特定安装中不会发生干扰。如果本设备确实对无线电或电视接收造成有害干扰（可通过关闭和打开设备来确定），建议用户尝试通过以下一种或多种措施来消除干扰：
- 调整接收天线的方向或位置。
- 增加设备与接收器之间的距离。
- 将设备连接到与接收器所连接的电路不同的电路上的插座上。
- 请咨询经销商或有经验的无线电/电视技术人员寻求帮助。

注 2：未经负责合规性的一方明确批准，对本设备进行的任何更改或修改都可能导致用户失去操作该设备的权限。

该设备经评估符合一般射频暴露要求。该设备可在便携式暴露条件下使用，不受任何限制。

感谢您选择本公司产品。您可以通过阅读本手册，全面地了解产品的使用方法，此产品主要通过蓝牙连接手机进行适配使用，提供了多种实用的功能和服务，以方便您对产品进行操作。本公司保留在不作任何预先通知的情况下对本手册中内容作修改的权利，恕不另行通知。

充电提示

请使用我提供的标配充电器充电，使用非标充电器充电所造成的一切故障，我可不负责售后。

操作说明

开机键：长按开机关机，短按亮灭屏，菜单功能界面单击返回主界面。
触摸手势：右划进入菜单界面；下划进入应用栏；上划进入游戏；左滑进入快捷程序。

智能壳套与手机的连接

首先手机要下载 APP " FereFit " 到手机上并安装，两种方式。
1、IOS/Android 手机用户
通过手机浏览器扫描下面二维码，或用微信扫一扫，打开界面后，选择界面中的 Android/IOS，在使用手机浏览器打开下载。

下图二维码为 FereFit APP 下载



2、安卓手机上应用宝、Google Play 商店搜索 " FereFit " 下

载，苹果手机可上 App Store 搜索 " FereFit " 下载。下载完成后，安装过程中会有各种权限提醒，全部点击同意或允许，智能壳套跟手机连接成功才能实现所有的功能。

蓝牙 5.3 连接方法

安装完成后，打开 " FereFit " 并打开手机蓝牙，FereFit 会有启用通知提示，点确定。点右下角更多，进入扫描设备，搜索蓝牙地址并点连接就可以了，部分安卓手机需打开手机 GPS 才能搜到智能壳套蓝牙名称。

如何鉴定蓝牙连接成功

待机界面智能壳套上拉状态栏，5.3 蓝牙为绿色时，则说明蓝牙连接成功，当蓝牙标志颜色置灰时，则说明蓝牙未连接。

常见问题简易处理方法

由于各个手机品牌的蓝牙协议没有统一性，有时会出现手机跟智能壳套蓝牙连接不稳定的情况，可将手机蓝牙关闭了再重新连接一次，或将智能壳套恢复出厂设置。

功能介绍

自拍：连接 APP 后打开自拍功能，可以通过智能手机壳上的屏幕实时预览。



弹幕：连接 APP 后，在手机 APP 上可以编辑文字发送到智

能手机保护套上面滚动播放，APP 端可设置字体颜色，智能手机壳上可设置背景颜色，还可设置横屏滚动和竖屏滚动。



炫彩轮播：打开智能手机保护套上炫彩轮播，屏幕可自动变色。



录音：打开录音功能后，可在智能手机保护套端录音，录音文件会保存到手机 APP 端，录音文件可在 APP 端分享。



表盘推送：(自定义单张壁纸，自定义多张壁纸轮播，录制短

视频播放 10 秒)



反向充电：连接手机 Typ-c 接口可给智能保护套充电。



名片夹：可通过 APP 设置微信、QQ、WhatsApp、X、Facebook 等二维码名片。
收款码：可通过 APP 设置微信、支付宝、PayPal 等的收款码。
游戏：多款休闲小游戏。
手电筒：可用于简易照明。
语言设置：内置 26 国语言，可根据需要设置相对应语言。
设置：可进行系统设置。
表盘推送：连接 APP 后可推送 APP 端指针表盘、数字表盘及自定义表盘 (可自定义单张表盘，多张表盘，动态表盘)。
消息提醒：查看手机端推送的消息，支持 facebook、twitter、whatsapp、qq、微信等。
来电提醒：连接 APP 后，来电时同步手机显示联系人、来电号码。

感谢您的选购与阅读

