

**(GB)** INSTALLATION, USE AND MAINTENANCE INSTRUCTION

**SL906 L 1500**  
**SL920 L**

*TECHNICAL INFORMATION*

**TYPE: FSLC**





GB



The symbol on the product or on its packaging indicates that this product may not be treated as household waste. Instead it shall be handed over to the applicable collection point for the recycling of electrical and electronic equipment. By ensuring this product is disposed of correctly, you will help prevent potential negative consequences for the environment and human health, which could otherwise be caused by inappropriate waste handling of this product. For more detailed information about recycling of this product, please contact your local city office, your household waste disposal service or the shop where you purchased the product. This appliance is marked according to the European directive 2012/19/EC on waste electrical and electronic equipment (WEEE).

# CONTENTS

GB

**Warnings**

**Uses**

**Installation**

**Working**

**Maintenance**

## WARNINGS


- The bottom of the cooker hood must be at least at 65 cm of distance from the hob. It is recommended to install the cooker hood in a central position above the hob, in order to ensure the product's best performance.


\* The air sucked can't be conveyed through or into a duct used to let out fumes from appliances fed by energy other than electric power (eg. centralized heating, radiators, water-heaters, etc.).

- **Attention:** remove any possible pvc film from the stainless steel.

\* **To evacuate the air outlet, please comply with the pertaining rules given by competent authorities.**

\* Provide the room with an adequate aeration when a cooker hood and appliances fed by energy other than electric power (gas-, oil-, or coal- stoves, etc.) are used simultaneously. The cooker hood, when evacuating the sucked air, could generate a negative pressure in the room- which can't exceed the limit of 0.04 mbar, in order to avoid the suck of exhausts deriving from the heat-source. Therefore the room should be provided with air-intakes to allow a constant flow of fresh air.

If the rating label in the cooker-hood shows the symbol , the appliance is built in class II° and it does not need any earth connection.

If the rating label in the cooker-hood does not show the symbol , the appliance is built in class I° and it needs the earth connection.

\* When performing the electrical connections on the appliance, please make sure that the current-tap is provided with earth connection and that voltage values correspond to those indicated on the label placed inside the appliance itself.

- Before carrying out any cleaning or maintaining operations, the appliance needs to be removed from the electric grid. If the appliance is not provided with a non-separable flexible cable and plug, or with another device ensuring omnipolar disconnections from the grid, with an opening distance between the contacts of at least 3 mm, then such disconnecting devices must be supplied within the fixed installation.

If the fixed appliance is endowed with a supply cord and a plug, the appliance has to be put in a place where the plug can be reached easily.

## USES

- The use of materials which can burst into flames should be avoided in close proximity of the appliance. When frying, please pay particular attention to fire risk due to oil grease. Being highly inflammable, fried oil is especially dangerous. Do not use uncovered electric grills. In order to avoid possible fire risk, all instructions for grease-filter cleaning and for removing eventual grease deposits should be strictly followed.

To ensure good performances of the product is recommended to install the hood centrally with respect to the cook top (Fig. 12).

The appliance is already arranged both for filtering and for suction performances.

- In its **filtering version** (Pic. 1), the air and fumes conveyed by the appliance are depured both by a grease filter and by an active coal filter, and put again into circulation through the hole made on the top of the cabinet.

- In its **sucking version** (Pic. 2), fumes are directly conveyed outside, through an evacuation duct connected with the superior part of the wall or the ceiling. Both coal filter and air deflector are not necessary in this case.

# INSTALLATION

Before installing the appliance, make sure that none of the parts is damaged in any way.

In case of damaged parts, contact your retailer and do not proceed with installation.

Read all of the following instructions with care before installing the appliance.

- Before installing the appliance, remove the metal grease filter. This filter can be removed by pushing the handles towards the back side of the cooker hood and turning it downwards to unfasten it from its slot. (Pic. 3).

To install the appliance please respect the following instructions.

The appliance must be installed by competent authorities. In order not to damage the electronic parts of the appliance please do not use additional screws.

Essential precautions to respect before installing the appliance are the following:

- Prepare the power supply.
- Prepare a hole for the exhaust of the air both in the filtering and in the exhausting version.
- Use an exhausting pipe whose maximum length does not exceed 5 meters.
- Do not use screws to fix the outlet pipe to the cooker hood.
- Limit the no. of elbows in the piping, since each elbow reduces the aspiration efficiency of 1 linear meter. (Ex.: if you use no. 2 x90 ° elbows, the length of piping must not exceed 3 meters)
- Avoid abrupt direction changes.
- Use a 200 mm or 300 mm constant diameter pipe for the whole length.
- Use piping approved by standards in force.
- In the units equipped with 2 motors please use a 200mm constant diameter pipe for the whole length.

In the units with 3 motors please use a 300mm constant diameter pipe for the whole length.

Please be sure to have made a cut-out on the bottom of the cabinet which is suitable to hold the appliance in position (Fig. 4).

SL906L 1500 1480x364mm

SL920L 856 821X505mm

SL920L 1200 1165X505mm

SL920L 1500 1470X505mm

At this point, insert the range hood inside the kitchen cabinet until the fixed springs will be hooked into.

When the hood will be positioned into the cabinet, it's important to fix the appliance according to the following instructions.

Unscrew by 180° the horizontal screws as shown in fig. 5, during this operation it is necessary to support the hood with your hand (fig. 5).

Screw the vertical screws so that the hood is adherent to the cabinet.

Repeat this operation for all four screws.

If it is necessary, it's possible to put other screws along the front or rear of the product as shown in picture 7.

**Warning:** according to the model you have purchased, please read the "maintenance" chapter to check whether the light has to be removed when installing the screws.

Make the electrical connection and connect the air outlet pipe.

## **Warning!**

Before connecting the flexible exhausting pipe to the motor, make sure that the stop valve, which is on the air outlet of the motor, can swing.

## **Exhausting version**

Connect the flange to the exhausting hole with an appropriate pipe. Connect the appliance with the electrical mains through the supply cord.

## **Filtering version**

Connect the flange with a pipe suitable to convey the air to the top of the cabinet. Connect the appliance with the electrical mains through the supply cord.

# WORKING

## Push button (fig. 8)

- A: Light switch on/off
- B: Motor switch on speed 1/off
- C: Motor switch on speed 2
- D: Motor switch on speed 3
- E: Motor switch on speed 4
- F: 10-minutes timer

Remote control instruction (If it is included)

## RC001

### RADIO CONTROL



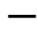
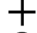

Radio control used for the remote operation of ducted cooker hoods.

### TECHNICAL DATA

- Alkaline battery powered: 12V mod. 27A
- Operating frequency: 433.92 Mhz
- Combinations: 32.768
- Max. consumption: 25 mA
- Operating temperature: -20 + + 55 °C
- Dimensions: 130x45x15 mm.

### OPERATING DESCRIPTION

The transmitter is equipped with 5 buttons for cooker hood management, as specified below:

-  : Light ON/OFF command.
-  : Motor ON (speed level 1) / OFF command.
-  : Reduce speed.
-  : Increase speed.
-  : 10-minute timer.

## INITIAL OPERATING CONDITION

The manufacturer supplies the radio control unit ready to be used with codes preset in the Factory



## OPERATION MODE

Standard configuration:

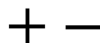
Standard configuration requires all "cooker hoods – radio control - system" to be provided with the same transmission code. In the event two cooker hoods – radio control system are installed in the same room or nearby, each system may affect the operation of the another. Therefore, the code of one radio control system must be changed.

### Generating a new transmission code:

The radio control system is provided with preset codes. Should new codes be required, proceed as follows: Press simultaneously buttons:



for two seconds. When Leds light on, press buttons:




(within 5 seconds). Leds flashing 3 times indicate the procedure is completed.

**WARNING! This operation deletes permanently the preset codes.**

### Learning the new transmission code:

Once the transmission code is changed in the radio control unit, the electronic central unit of the cooker hood must be made to set the new code in the following way:

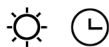
Press the main power-off button of the hood and then restore power to the electronic control unit. Within the next 15 seconds, press the Light Button  to synchronise the central unit with the code.

### Reset of the Factory configuration:

To restore the Factory configuration, follow the procedure described below: press simultaneously buttons:



for 2 seconds. When Leds light on, press buttons:



(within 5 seconds). Leds flashing 6 times indicate the procedure is completed.

**WARNING! This operation deletes permanently the preset codes.**

#### **Emergency button:**

In the event that the radio control does not work, use the emergency button to switch the appliance off. After any necessary repairs have been performed, reset the emergency button.

#### **WARNING**

The battery should be replaced every year to guarantee the optimal range of the transmitter. To replace the exhausted battery, take the plastic lid off, remove the battery and replace it with a new one, observing the correct battery polarities.

Used batteries should be discarded in special collection bins.

The below product:  
RC001 Radii Controll  
complies with the specifications set out in the  
R&TTE Directive 99/5/EC.



#### **WARNING**

Any adjustments or modifications which have not been expressly approved by the holder of the legal conformity certificate may invalidate the user's rights relating to the operation of the device.

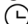
The products are endowed with an electronic device which allows the automatic switching off after 4 hours working from the last operation.

## MAINTENANCE

- An accurate maintenance guarantees good functioning and long-lasting performance.

- Particular care is due to the grease filter. It can be removed by pushing its special handle toward the back-side of the cooker hood and turning the filter downwards so to unfasten it from its slot (Pic. 3).

To insert the filter just perform the opposite operation.

After 30 hours working, the push button control panel will signal the saturation of the grease filter by lighting all the buttons. Press the timer button to reset .

The grease filter needs cleaning by regular hand-washing or in dishwashers every two months at least or depending on its use.

- How to remove the oil tank.

First, remove the grease filter, Than place your hand under the oil tank and unfasten the handles (Pic. 9) Eventually remove the oil tank, paying attention to the leaking oil.

- To clean the appliance itself tepid water and neutral detergent are recommended, while abrasive products should be avoided. For steel appliances specialized detergents are recommended (please follow the instructions indicated on the product itself to obtain the desired results).

\* If the supply cord is damaged, it must be replaced by the manufacturer or its sevice agent or a similarly qualified person in order to avoid a hazard.

#### **Replacing the lamps**

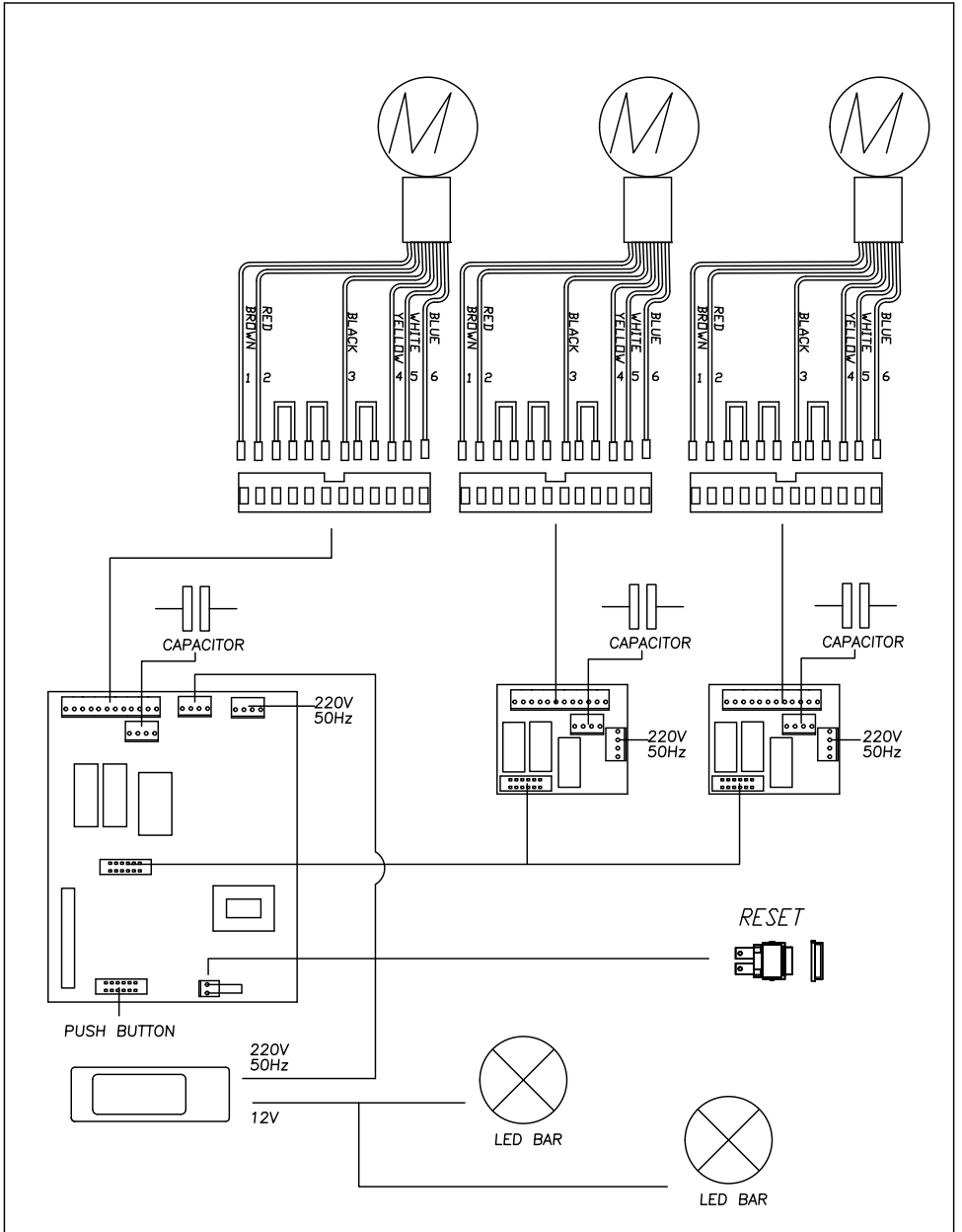
Before replacing the lamp switch off the appliance then by using appropriate tools remove the lamp from its slot (Pic. 10).

Take out the led bar from its connector and replace with one having similar characteristics.

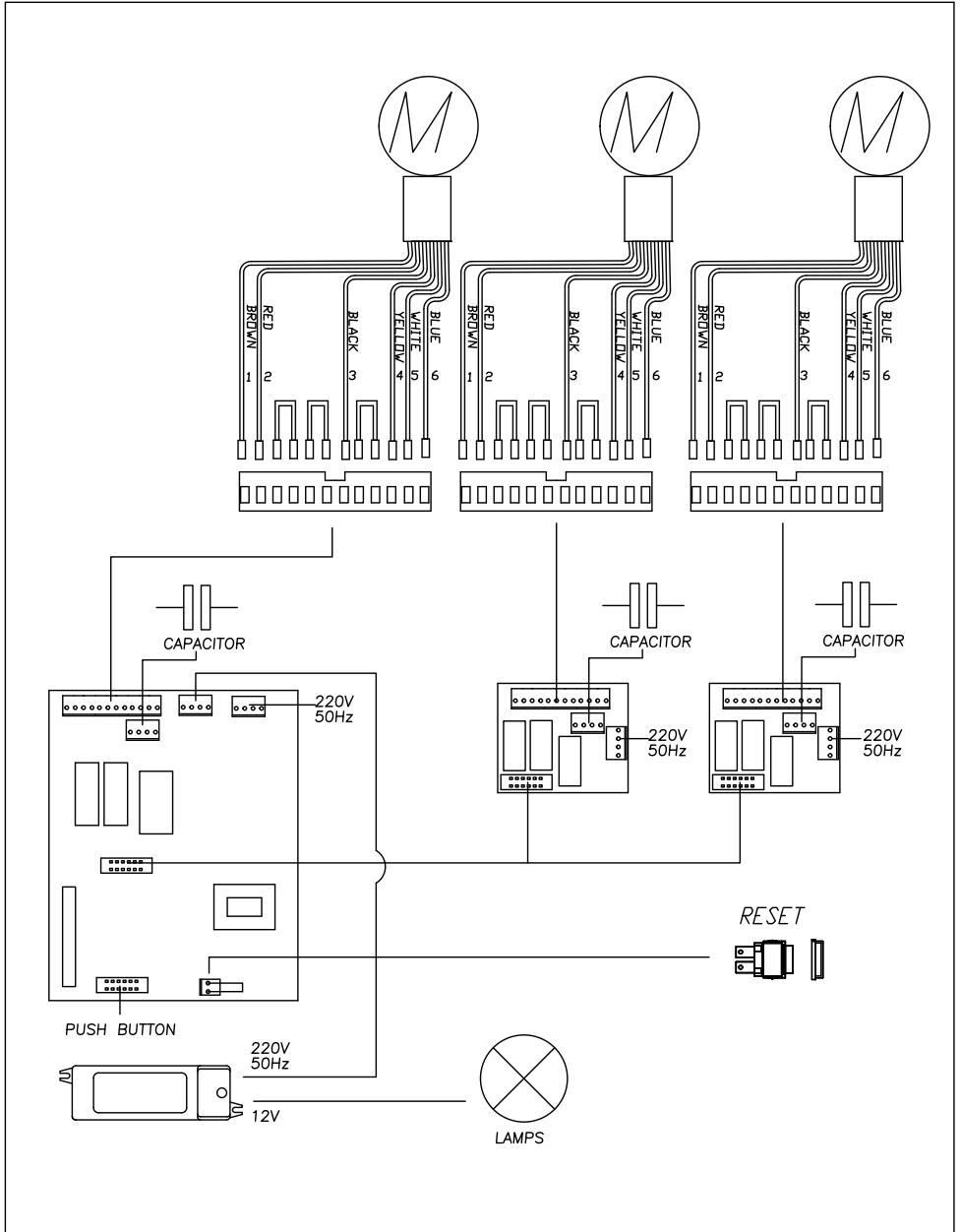
To find the correct led bar please check on the replacement part list.

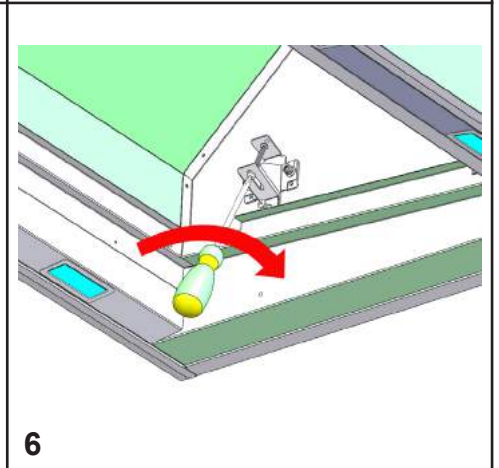
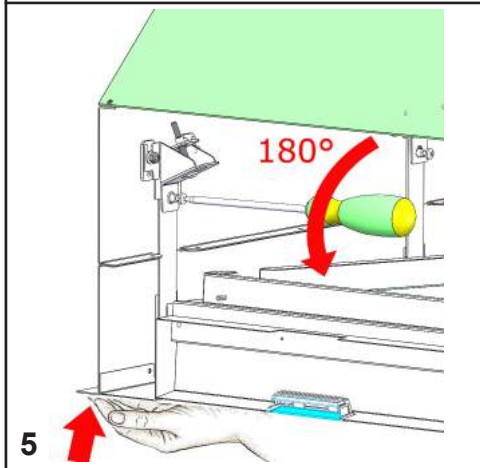
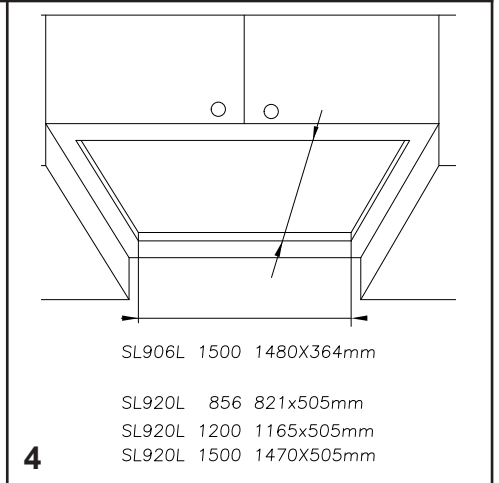
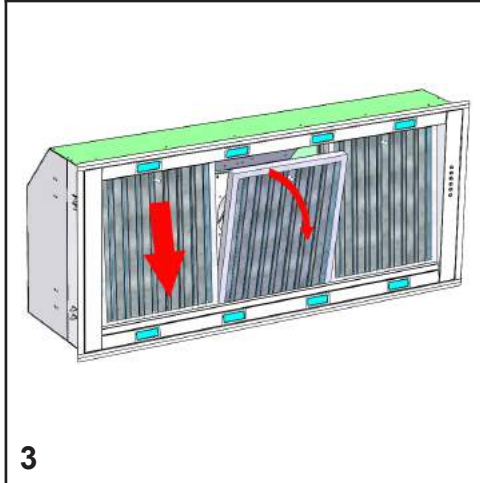
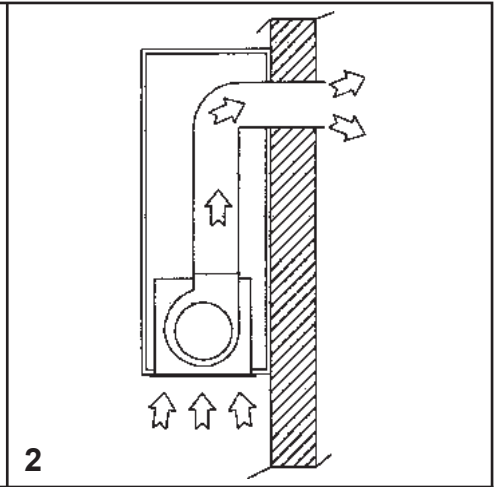
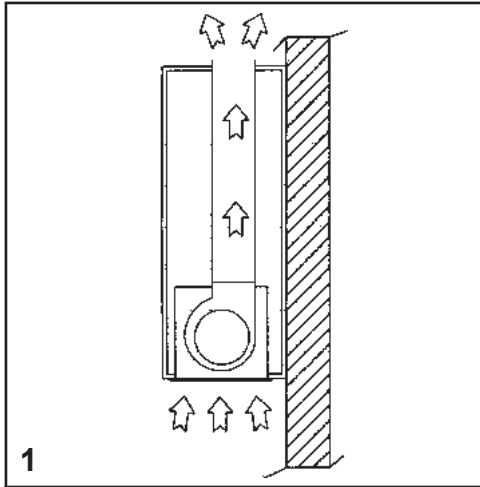
To remove the appliance from the cabinet is necessary to remove the installation bracket by the eight nuts, as shown in the picture 11.

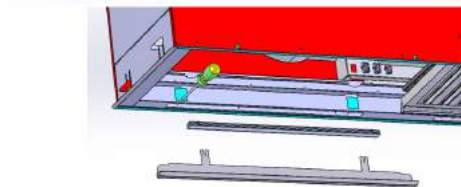
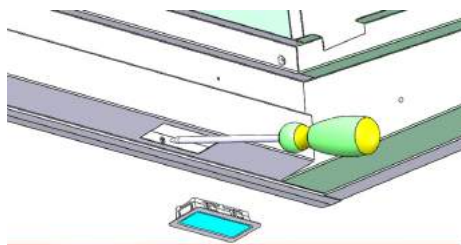
# WIRING DIAGRAM SL906L 1500



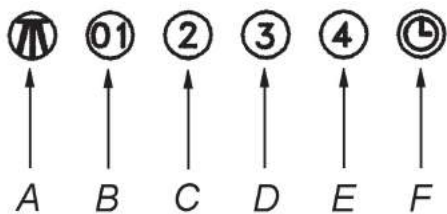
# WIRING DIAGRAM SL920



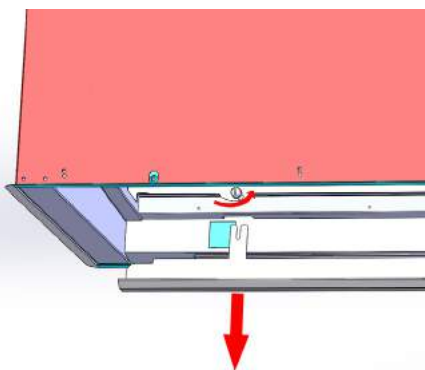




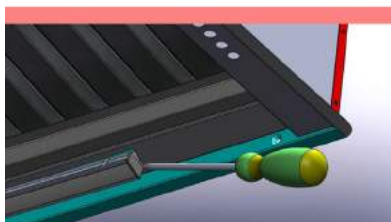
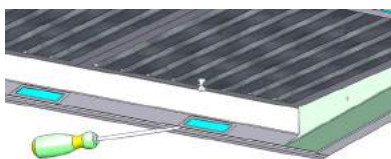
7



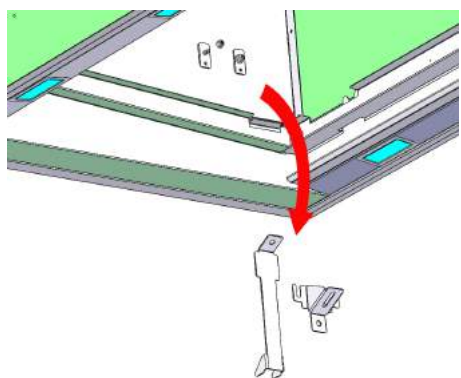
8



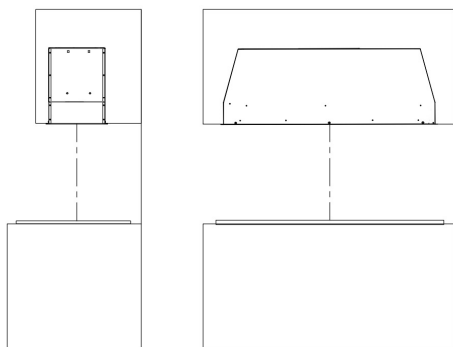
9



10



11



12





