

Viking Installation Guide

Outdoor Gas Grill VGBQ "T" Series
Cart Assembly

IMPORTANT: PLEASE READ AND FOLLOW

1. Before beginning, please read these instructions completely and carefully.
2. Do not remove permanently affixed labels, warnings, or plates from product.

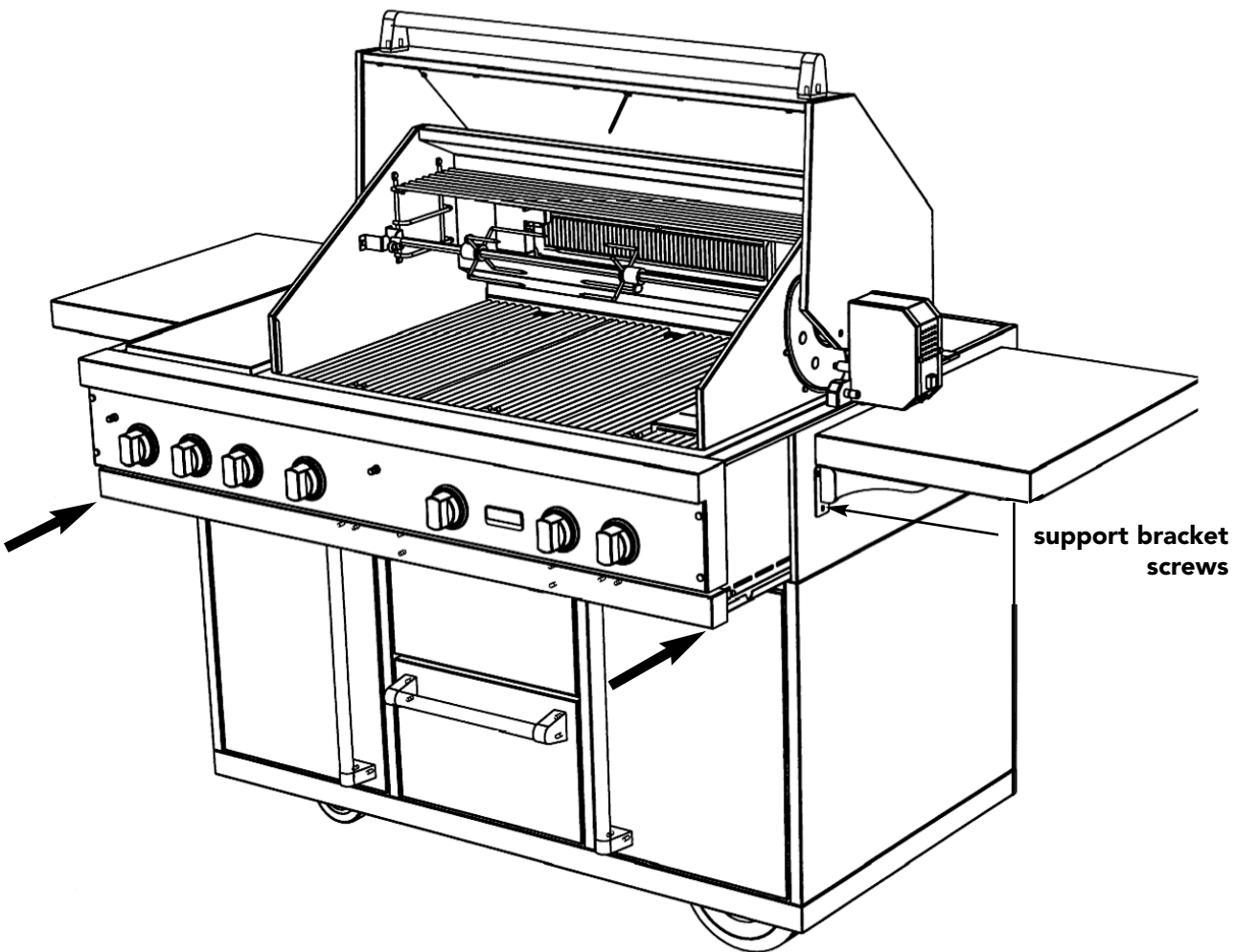
BEFORE INSTALLING GRILL TO CART: Remove drip tray, grill grates, flavor grids, and warming racks from the grill.

To remove side shelves:

The side shelves on the cart can be removed if needed. This **must** be done before installing the grill on the cart. With the shelf in the up position, remove the screws in the shelf support bracket. This will allow you to remove both the brackets and the shelf.

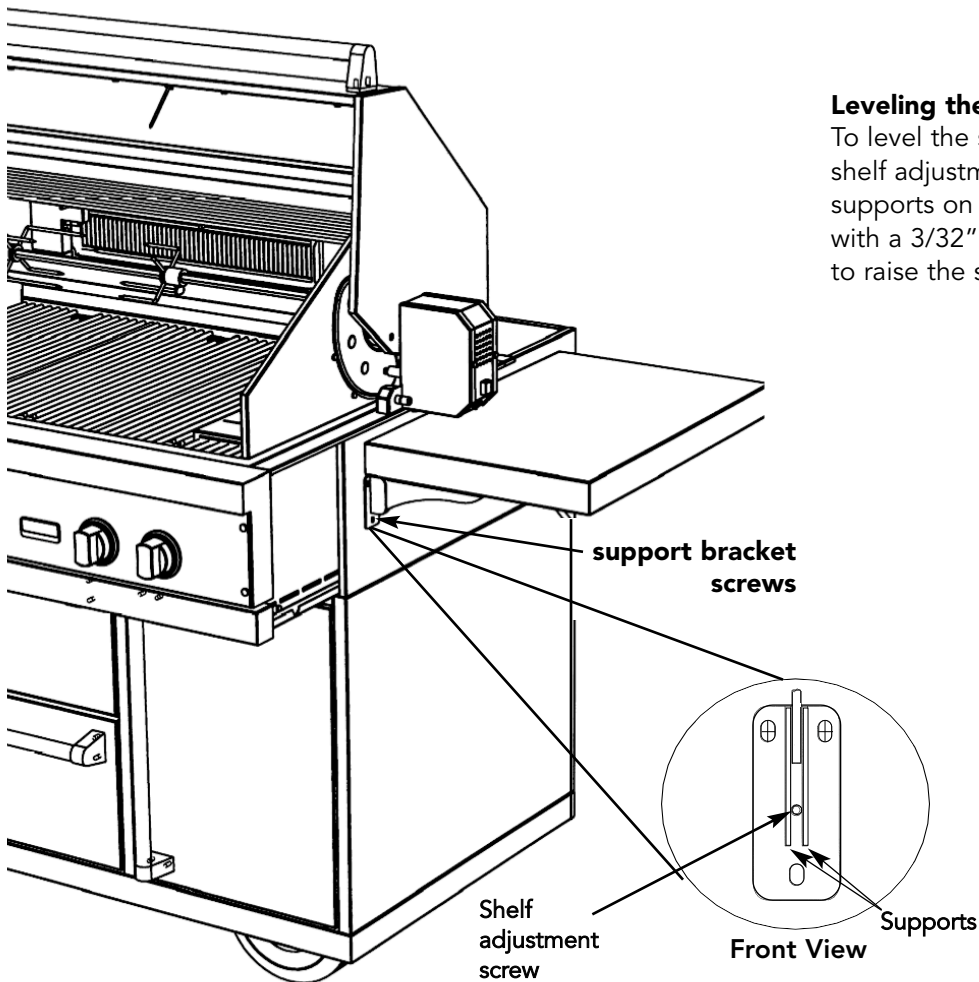
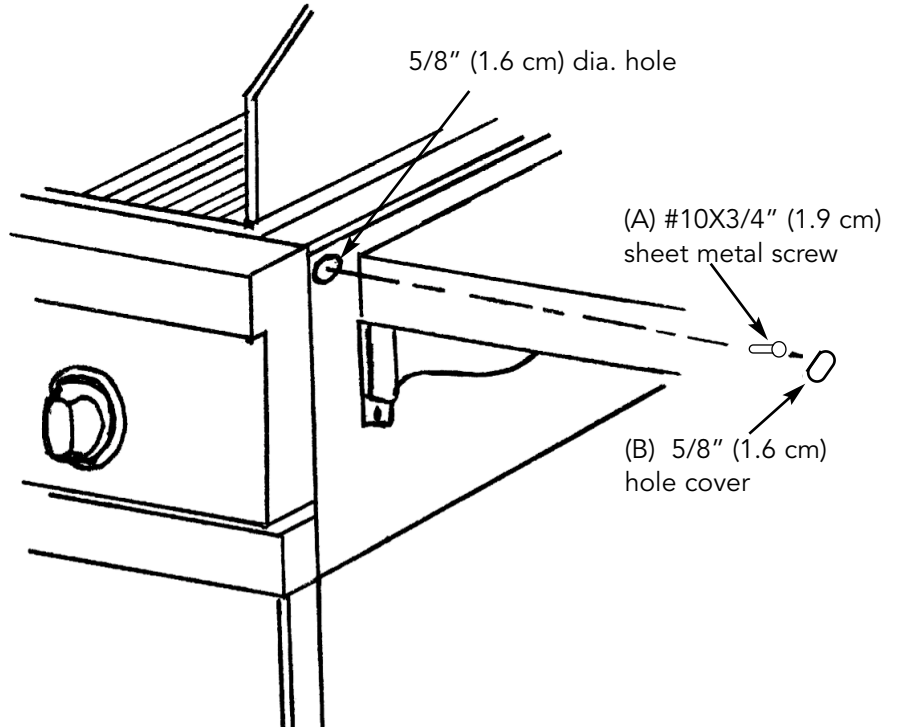
To mount grill to cart:

Always wear gloves when handling the gas grill. Although the grill is deburred prior to shipment, some edges may still be sharp enough to cause injury during handling. With a minimum of two (2) people, place the grill in the cart with about 3 to 4 inches hanging out the front making sure that the male fitting on the bottom of the grill is inside the cart. Push the grill back until the front sides of the cart are flush with the back of the landing ledge on the grill. **Be careful: the grill unit is very heavy!**



Attaching the grill to the cart

Once the grill has been mounted on the cart, the back of the landing ledge should be flush with the front sides of the cart. The 5/8" (1.6 cm) hole on the top front corners of the cart should be aligned with the receiving holes in the grill heat shields. If your grill does not have the receiving holes in the heat shield, you will need to drill them out with a 9/64" (.14 cm) drill bit. With the grill and cart mounted together, place the drill bit in the 5/8 hole and center in the 1/4"x3/8" slot. Drill through the heat shield. Take the #10X3/4" (1.9 cm) sheet metal screws (A) supplied with the cart and attach the cart sides to the grill. After securing the grill to the cart, snap the hole covers (B) supplied with the cart into the 5/8" (1.6 cm) holes in the cart corners.



Leveling the Side Shelves

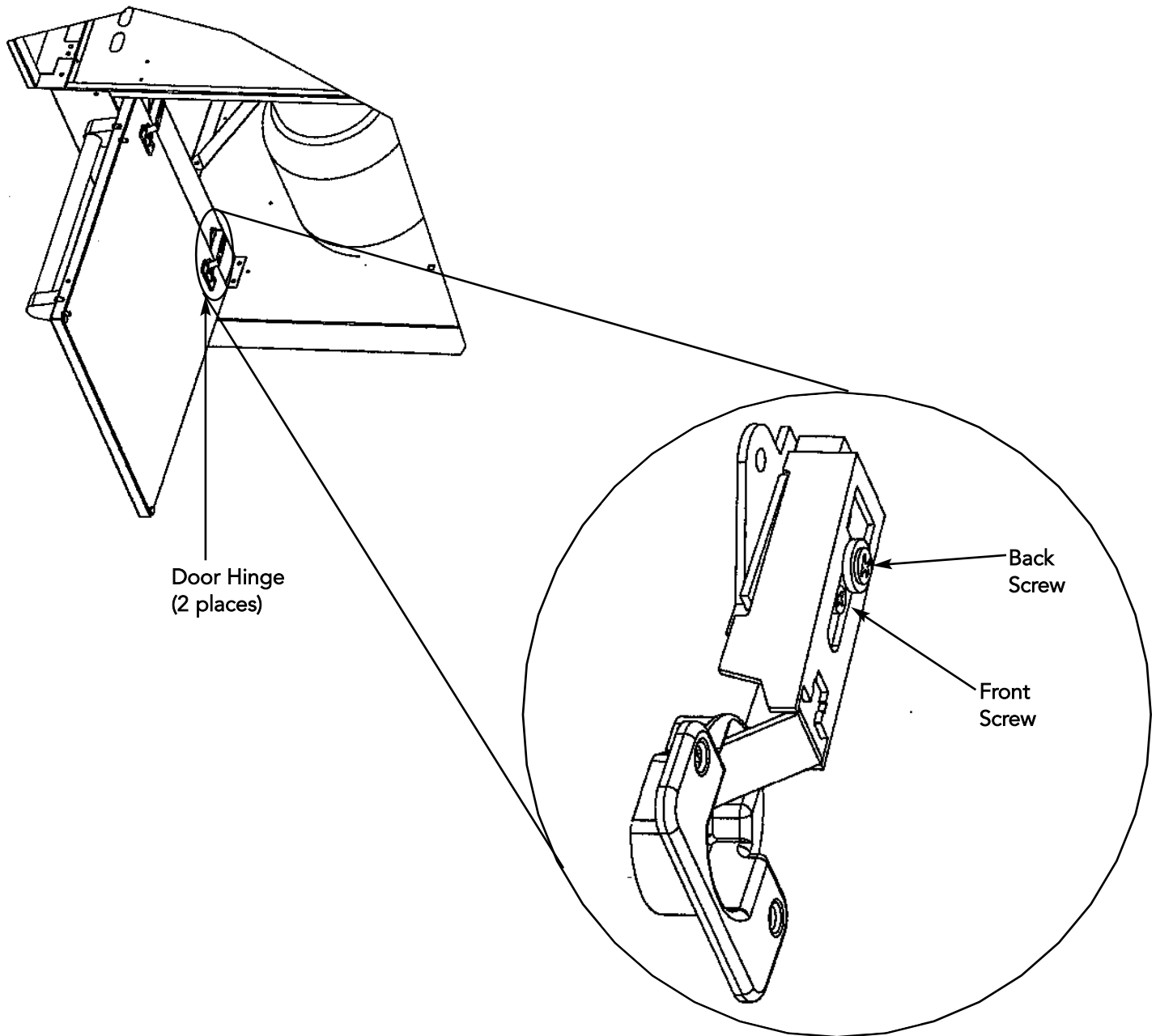
To level the side shelves, lift the shelf so that the shelf adjustment screw is visible between the two supports on the shelf brackets. Turn the screw with a 3/32" (.2 cm) allen wrench counter clockwise to raise the shelf and clockwise to lower the shelf.

Cart Door Adjustment

The cart doors come adjusted from the factory. Depending on how level the surface the cart is being placed on, the door(s) may need to be adjusted after the grill is assembled on the cart.

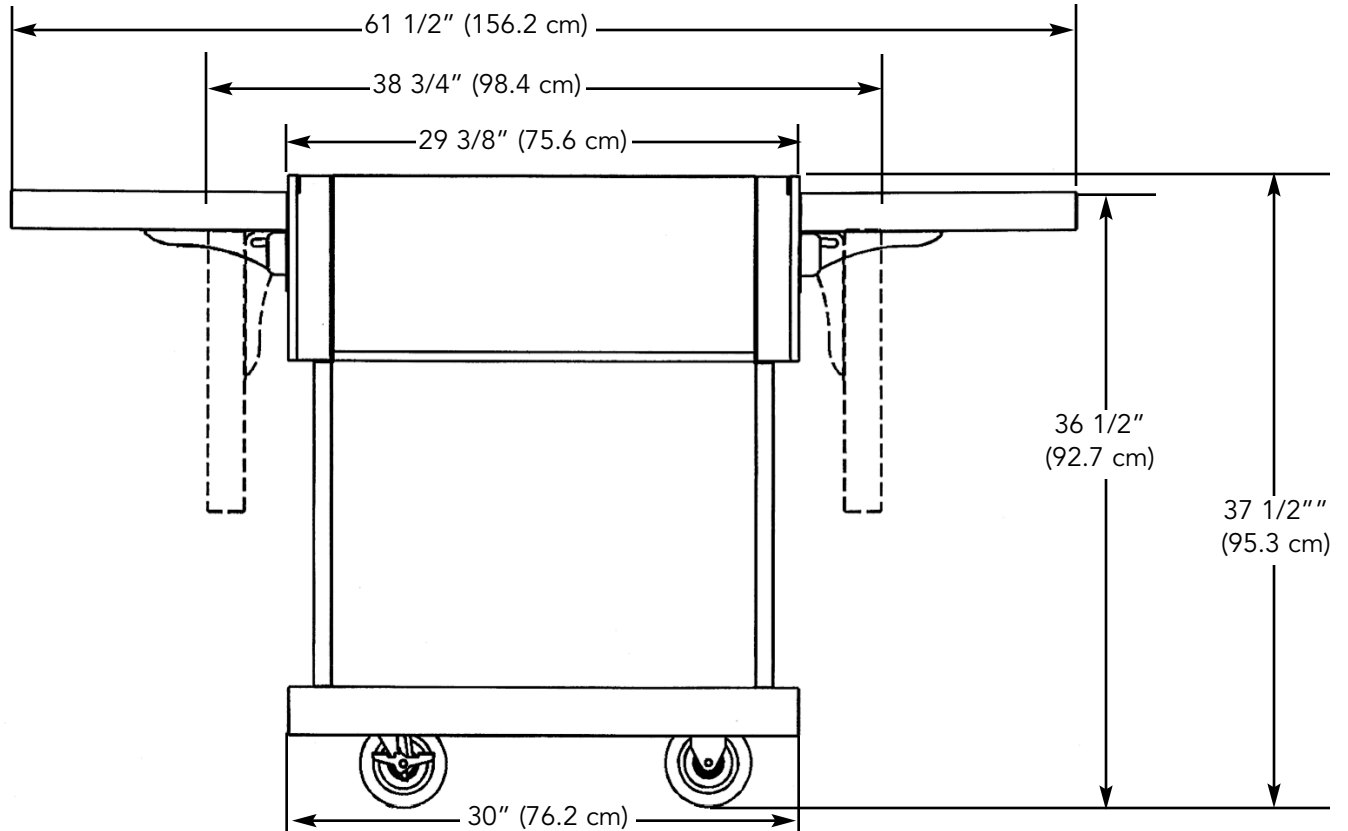
There are two adjustment screws on the hinge receiver.

- 1) The front screw is used to center the door in the opening. Turning the front screws in or out will center the door in the frame.
- 2) The back screw is used to align the front of the door with the cart frame and secure the door to the cart. Slightly loosen the screw and slide the door in or out. Retighten the screw to secure the door.

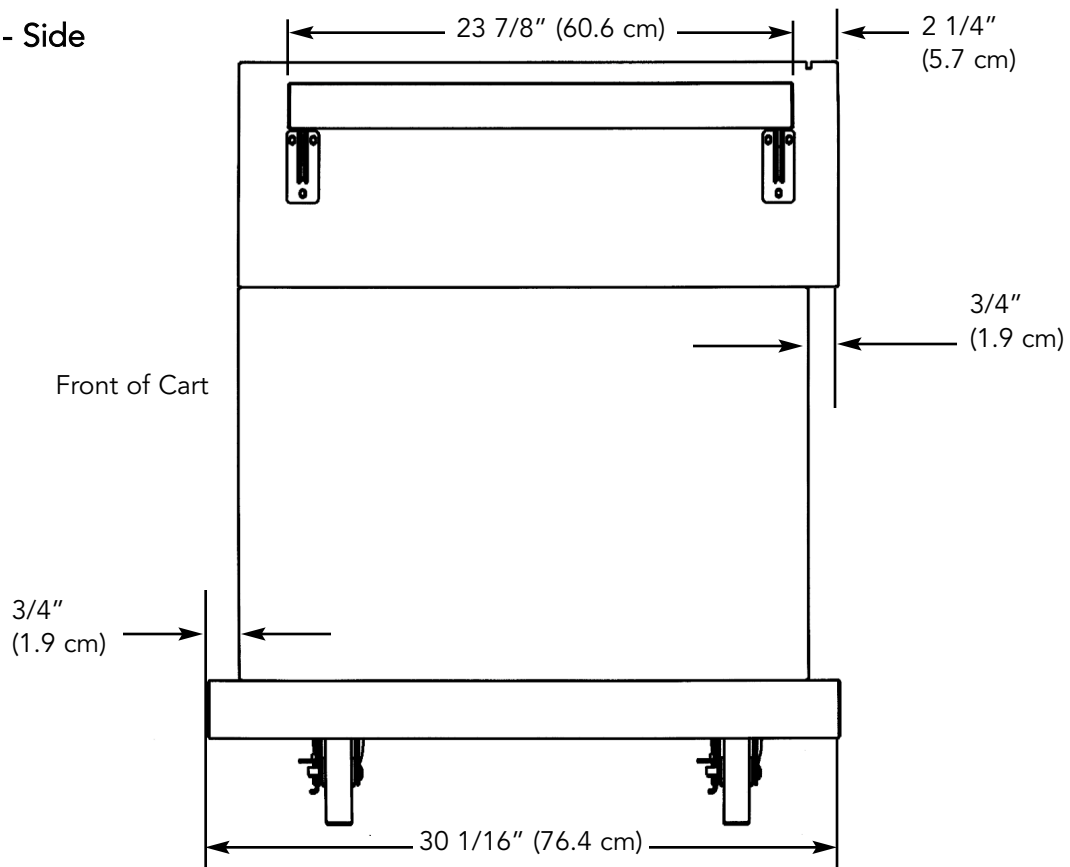


CART DIMENSIONS

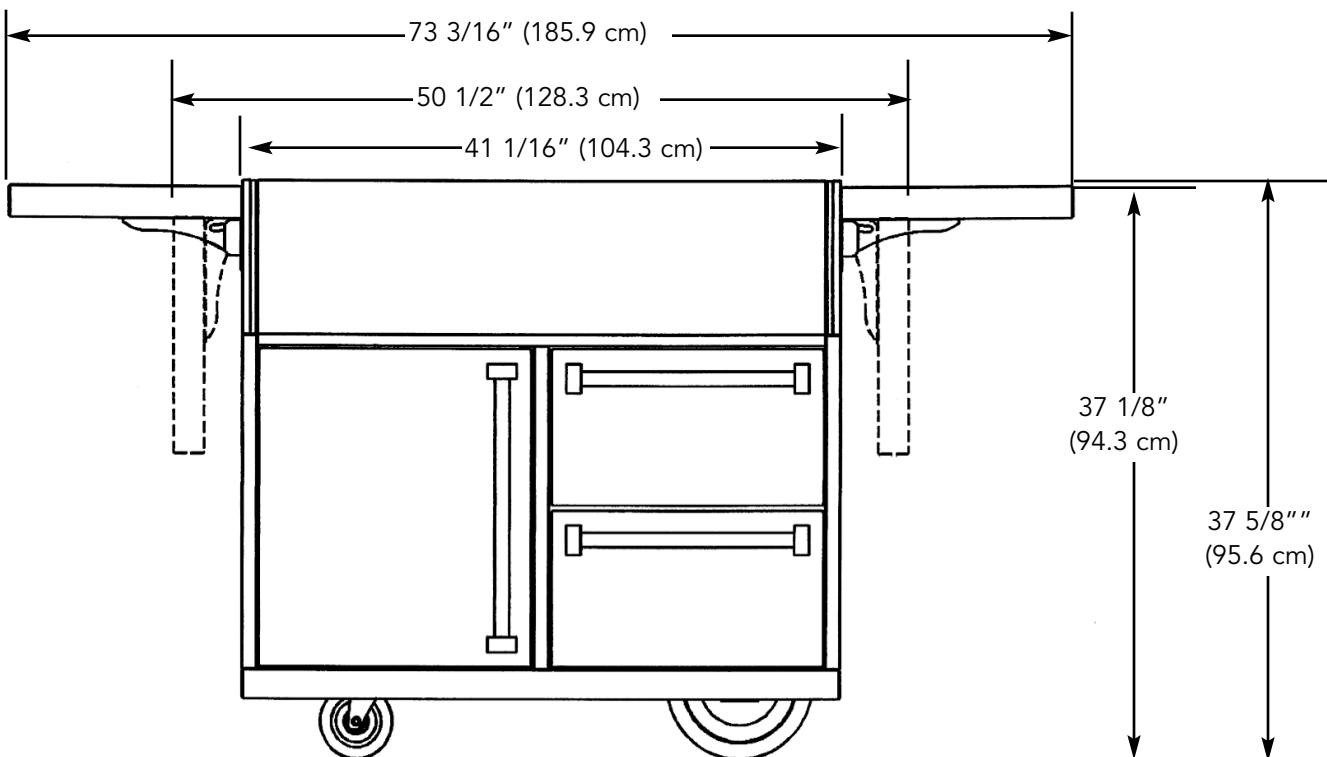
30" W. Cart - Front



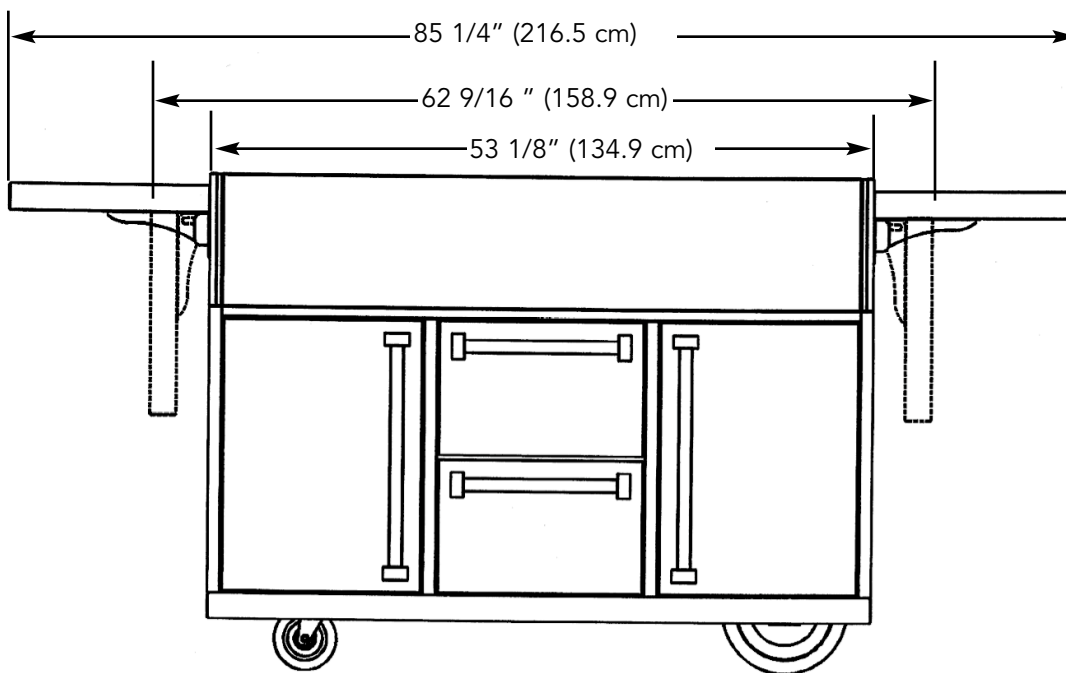
30" W. Cart - Side



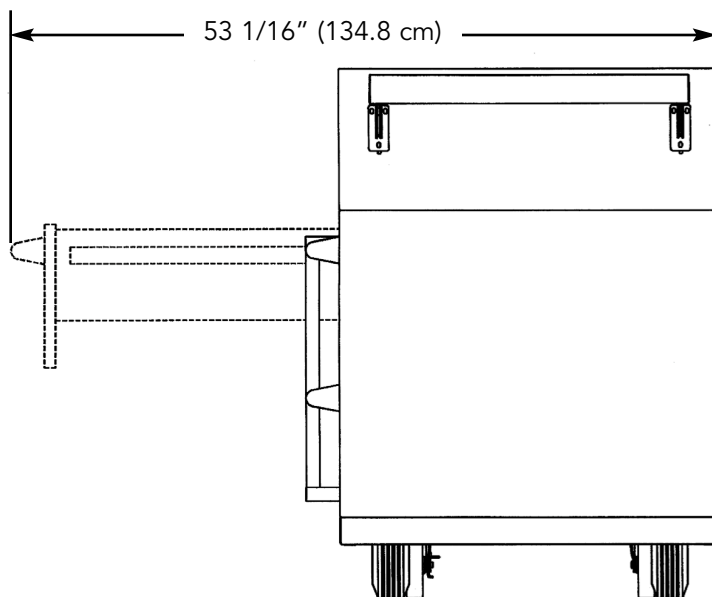
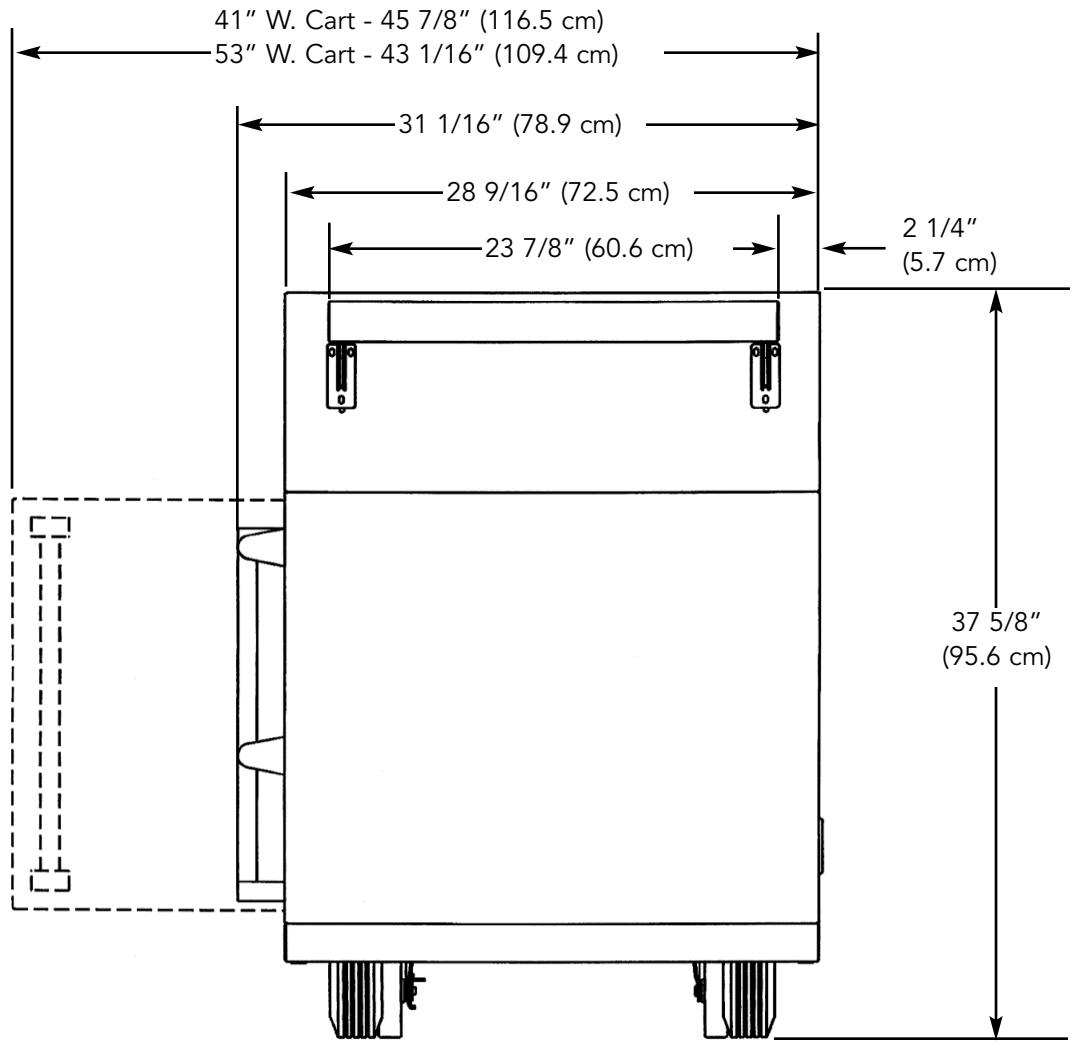
41" W. Cart - Front



53" W. Cart - Front



41" W. and 53" W.
Cart - Side





Viking Range Corporation

111 Front Street

Greenwood, Mississippi 38930 USA

(662) 455-1200

For product information,

call 1-888-VIKING1 (845-4641)

or visit the Viking Web site at

vikingrange.com