

omega
altise

OP40C

**40CM BRUSHED
CHROME PEDESTAL
FAN**




TABLE OF CONTENTS

Important Safety Instructions.	1
Technical Details and Parts.	2
Getting Started.	2
Appliance Components.	3
Assembly.	4
How To Use.	8
Cleaning and Maintenance.	8


IMPORTANT SAFETY INSTRUCTIONS

IMPORTANT: Read the safety precautions of this booklet carefully before attempting to assemble, install, operate or maintain the product described. Protect yourself and others by observing all safety information. Failure to comply with instructions could result in personal injury and/or property damage. If you are unsure about anything regarding your pedestal fan or these instructions, please contact Omega Altise on 1300795572 in Australia or (09) 415 6000 in New Zealand before operating your appliance.

1. Read all instructions carefully before using the pedestal fan.
2. Use this pedestal fan only as described in this manual. Any other use not recommended by the manufacturer may cause fire, electrical shock, or injury to persons. Do not modify this appliance. Do not try to repair this appliance – there are no user serviceable parts within.
3. Remove the packaging and ensure that the appliance is undamaged. In case of doubt do not use the appliance and contact Omega Altise Service. Do not let children play with any parts of the packaging.
4. This appliance is not intended for use by persons (including children) with reduced physical, sensory or mental capabilities, or lack of experience or knowledge, unless they have been given supervision or instruction concerning the use of the appliance by a person responsible for their safety. Children should be supervised to ensure that they do not play with the appliance. Extreme caution is necessary when the pedestal fan is used by or near children or individuals with decreased mental and physical capacity and whenever the pedestal fan is left operating unattended.
5. Before you use the appliance, check if the voltage marked on the rating label corresponds to the mains in your home. The appliance must be connected to a grounded power supply.
6. Do not use this appliance with a programmer, timer or any other device that switches the appliance on automatically, since a fire risk exists if the appliance is covered or positioned incorrectly.
7. Do not pull the power cord to disconnect with the power source. Always grasp the plug to pull it out.
8. Do not run power cords under rugs or other combustible materials. Do not place power cords in areas where they can be a tripping hazard. Do not operate directly below a power outlet.
9. Do not insert any objects into the appliance as it may cause an electric shock or fire or damage to the appliance. Do not block or tamper with the appliance in any manner while it is in operation. To prevent a possible fire, do not cover the appliance in any manner. Do not place on soft surfaces, like a bed, where openings may become blocked.
10. Do not leave the appliance unattended. Always unplug the appliance when not in use. Take care that it is not obstructed when oscillating.

WARNING:  The Function Switch should not be used as the sole means of disconnecting power. Always unplug the power cord before cleaning or moving the appliance.

11. Keep materials such as hair, net curtains, tablecloths & clothes away from the openings of the pedestal fan, as material may be sucked into the appliance causing injury, damage to property or the appliance.
12. The appliance has hot and arcing or sparking parts inside. It must NOT be used in potentially dangerous locations such as flammable, explosive, chemical-laden, corrosive, salty or wet atmospheres. This appliance is intended for general indoor domestic use ONLY.
13. This appliance is not intended for use in wet or damp locations. Never locate it where it may fall into a bathtub or other water container.
14. Do not use the pedestal fan outdoors. Do not use close to windows or in direct sunlight.
15. Always place the appliance on flat, stable surfaces before use. Always place the appliance vertically on its base.

WARNING: To avoid danger of electric shock, unplug from outlet when not in use and before cleaning.  If the supply cord is damaged, it must be replaced by the manufacturer, its Service Agent or similarly qualified persons in order to avoid a hazard. In order to avoid overheating, do not cover the appliance. Do not use the appliance in the immediate surrounding of a bath, shower or swimming pool.

It is important that you retain these instructions, proof of purchase as well as other important documents about this product for future reference. Due to continual product development, Omega Altise reserves the right to alter specifications or appearances without notice. Dispose of packaging responsibly – recycle where facilities are available.

TECHNICAL DETAILS AND PARTS

Model: OP40C Pedestal fan

Power: 220-240V 50Hz,

60W.

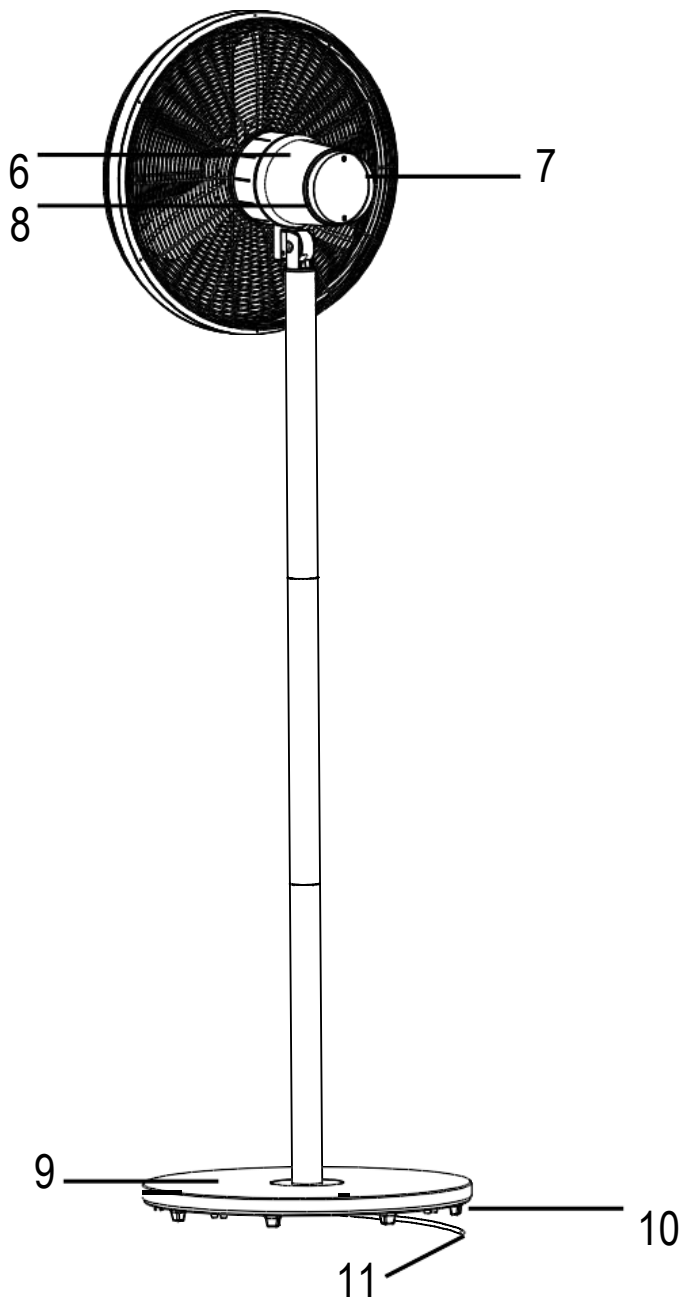
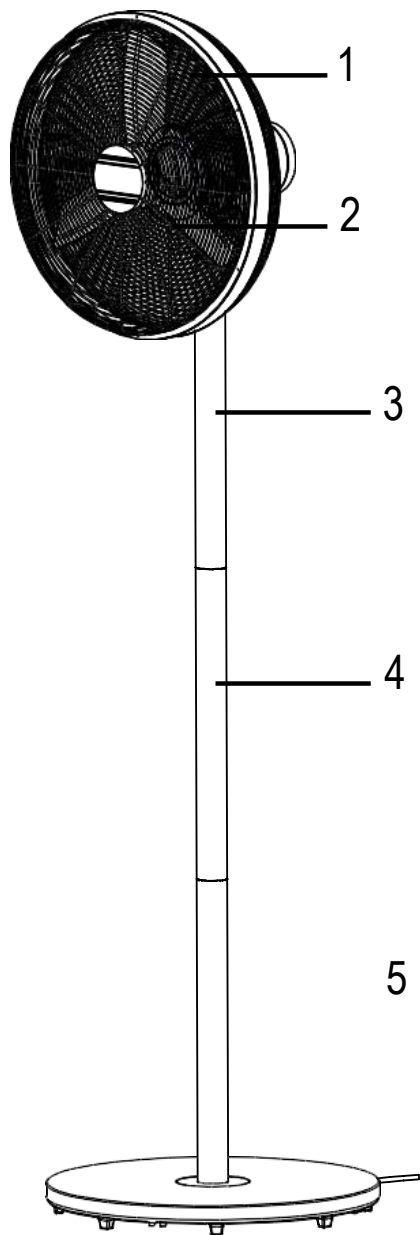
Gross Weight: 14.5kg.

Dimensions 130–170
H(max) x 45.5 W x 45.5 D
cm

GETTING STARTED

1. Carefully remove the parts of the appliance from the plastic bags and the carton, and unwind the cord to its full length.
2. Place the weight of the base under the base and insert the lower tube through the holes of them. Fix the parts together by using the nut provided.
3. Connect the middle tube to the lower tube by screwing them together.
4. Insert the power cord through the base, the bottom tube, the middle tube and the upper tube. The connector of the power cord should come out a little bit from the upper tube.
5. Link the connector coming out from the upper tube to the connector coming out from the head of the fan and fix them by rotating the plastic nut.
6. Fix the head of the fan to the upper tube by using the 2 screws provided.
7. Fix the power cord under the base by using the cable holder and the 2 screws provided.

APPLIANCE COMPONENTS

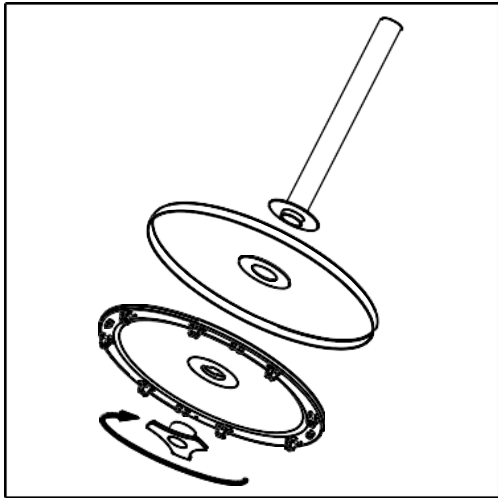


- 1. Grid
- 2. Blades
- 3. Upper tube
- 4. Middle tube
- 5. Lower tube
- 6. Motor

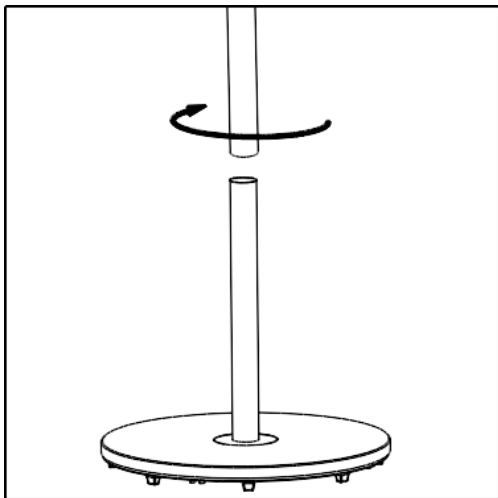
- 7. Off/Speed control knob
- 8. Blue LED rotary controller
- 9. Base
- 10. Weight for the base
- 11. Power cord

ASSEMBLY

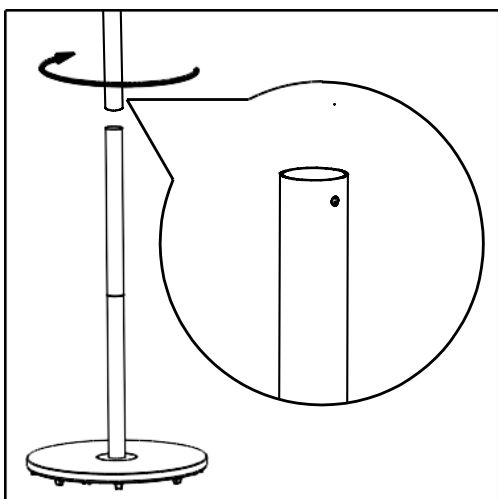
Unpack the fan and make sure all the parts are available before you proceed with the installation.



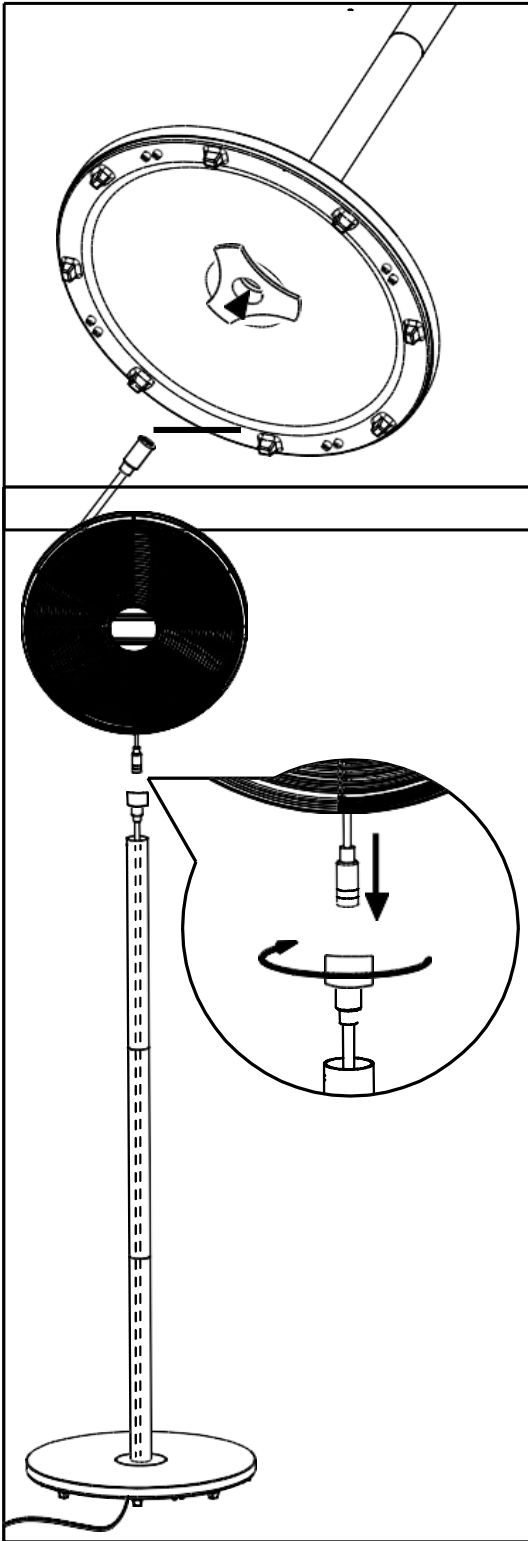
1
Place the weight of the base (10) under the base (9) and insert the lower tube (5) through the holes of them. Fix the parts together by using the nut provided.



2
Connect the middle tube (4) to the lower tube (5) by screwing them together.



3
Connect the upper tube (3) to the middle tube (4) by screwing them together.
The upper tube has 2 holes on the top.

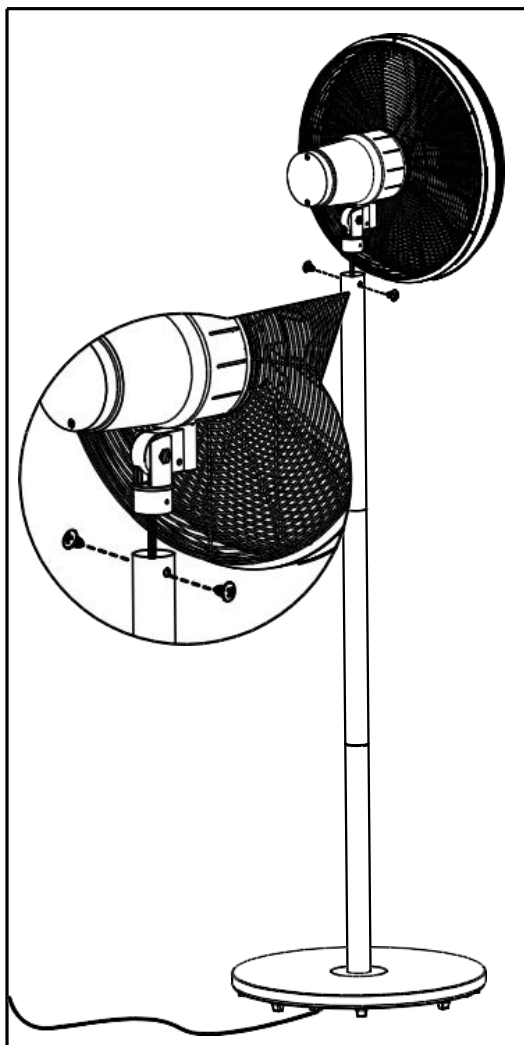


4

Insert the power cord (11) through the base (9), the bottom tube, the middle tube and the upper tube. The connector of the power cord should come out of the upper tube.

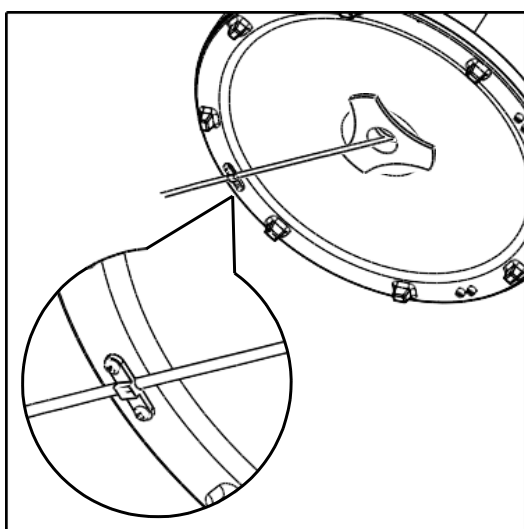
5

Link the connector coming out from the upper tube (3) to the connector coming out from the head (6) of the fan and fix them by rotating the plastic nut.



6

Fix the head (6) of the fan to the upper tube (3) by using the 2 screws provided.

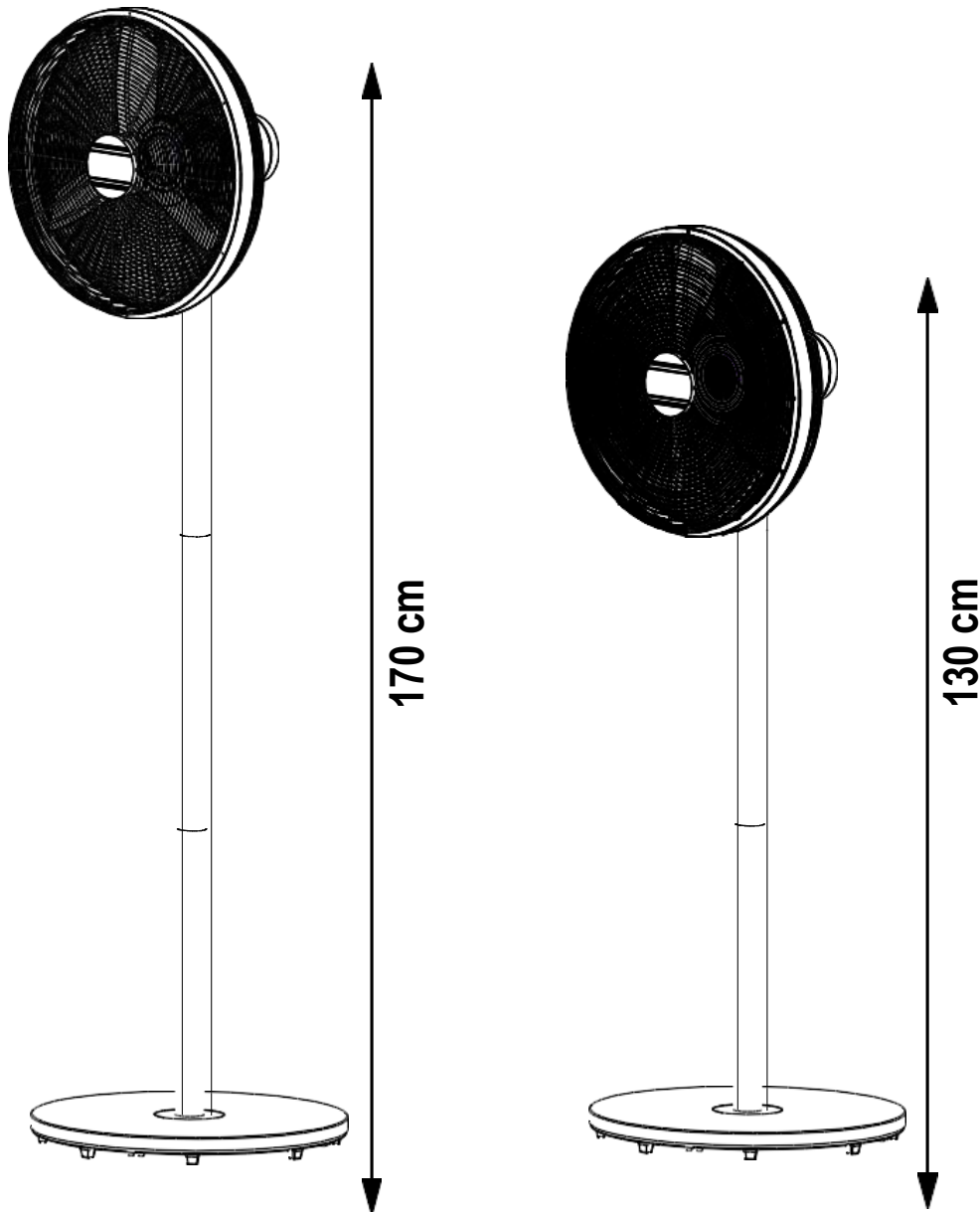


7

Fix the power cord (11) under the base (9) by using the cable holder and the 2 screws provided.

N.B:

The fan can be installed at two heights depending on whether or not the middle tube is used.



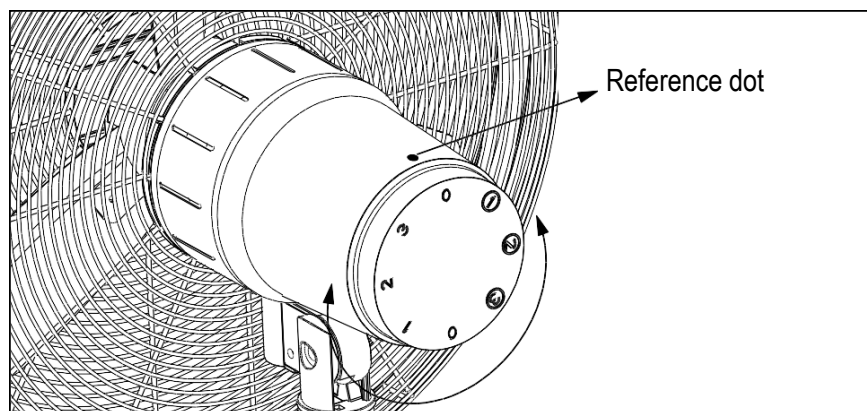
If the smaller size is needed please avoid the steps 2 and 3 of assembly and proceed to connect the upper tube to the lower tube by screwing them together.

ATTENTION: do not connect the fan to electrical supply until the unit is fully assembled.

HOW TO USE

Place the fan in a flat and stable surface. Make sure the Off/Speed knob is in Off position ("0") then plug it into a correct socket.

To select the desired speed rotate the Off/Speed knob; the desired speed must be aligned at the reference dot place on the motor.



0 = off

1 = low speed

2 = medium speed

3 = high speed

① = low speed with vertical oscillation

② = medium speed with vertical oscillation

③ = high speed with vertical oscillation

If the fan is working the blue LED light ring will be on; if the fan is off, the blue LED light ring will be off.

When the fan is not used disconnect it from the electrical supply.

CLEANING & MAINTENANCE

WARNING:



ALWAYS UNPLUG THE CORD BEFORE MOVING OR CLEANING. DO NOT IMMERSE APPLIANCE IN WATER!

The fan should be cleaned periodically (at least once a month depending on the build-up of dust).

Clean the body of the pedestal fan with a soft damp cloth. Always make sure that the appliance is completely dry before connecting back to the mains supply.

CAUTION: Do not use gasoline, benzene, thinner, harsh cleaners, etc. as they will damage the pedestal fan. NEVER use ALCOHOL OR SOLVENTS.

Remove the front guard and take out the fan blades. Wash under water, rinse & dry. Replace fan blades and front guard. Do not disassemble the fan in any other manner.

STORAGE: Store the pedestal fan with these instructions, in a cool, dry place with a cover over it. 8

A division of Shiro Australia Pty Ltd
104 Vanessa St Kingsgrove NSW 2208
In Australia: 1300 795 572
In New Zealand: (09) 415 6000
www.omegaltise.com