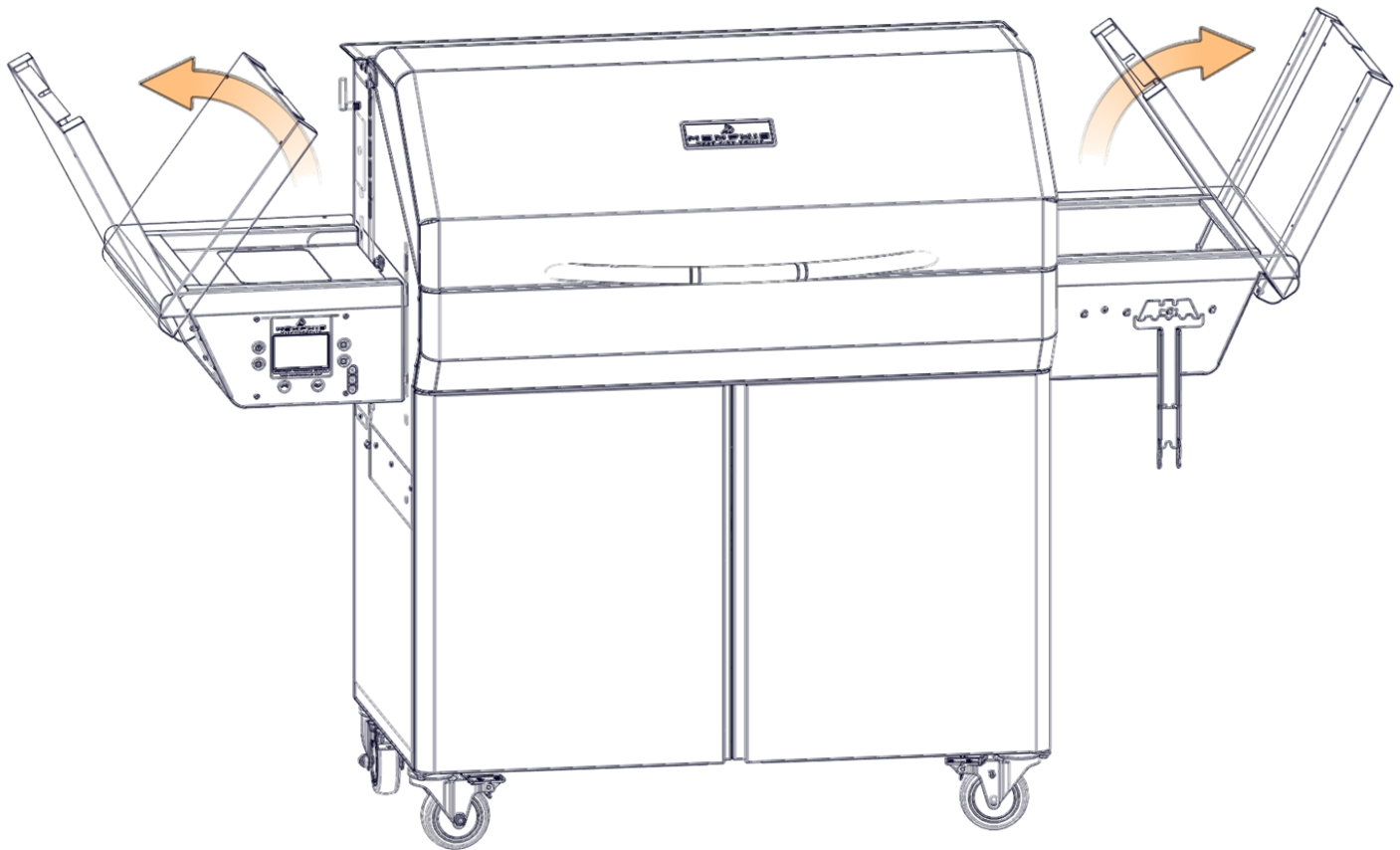




MEMPHIS

WOOD FIRE GRILLS



MEMPHIS ELITE

MODEL NUMBER

VG0002/VG0002E/VG0002S4/VG00002S4-3

CONTENTS

Clearance to Combustibles	2
Wiring Diagram	3-4

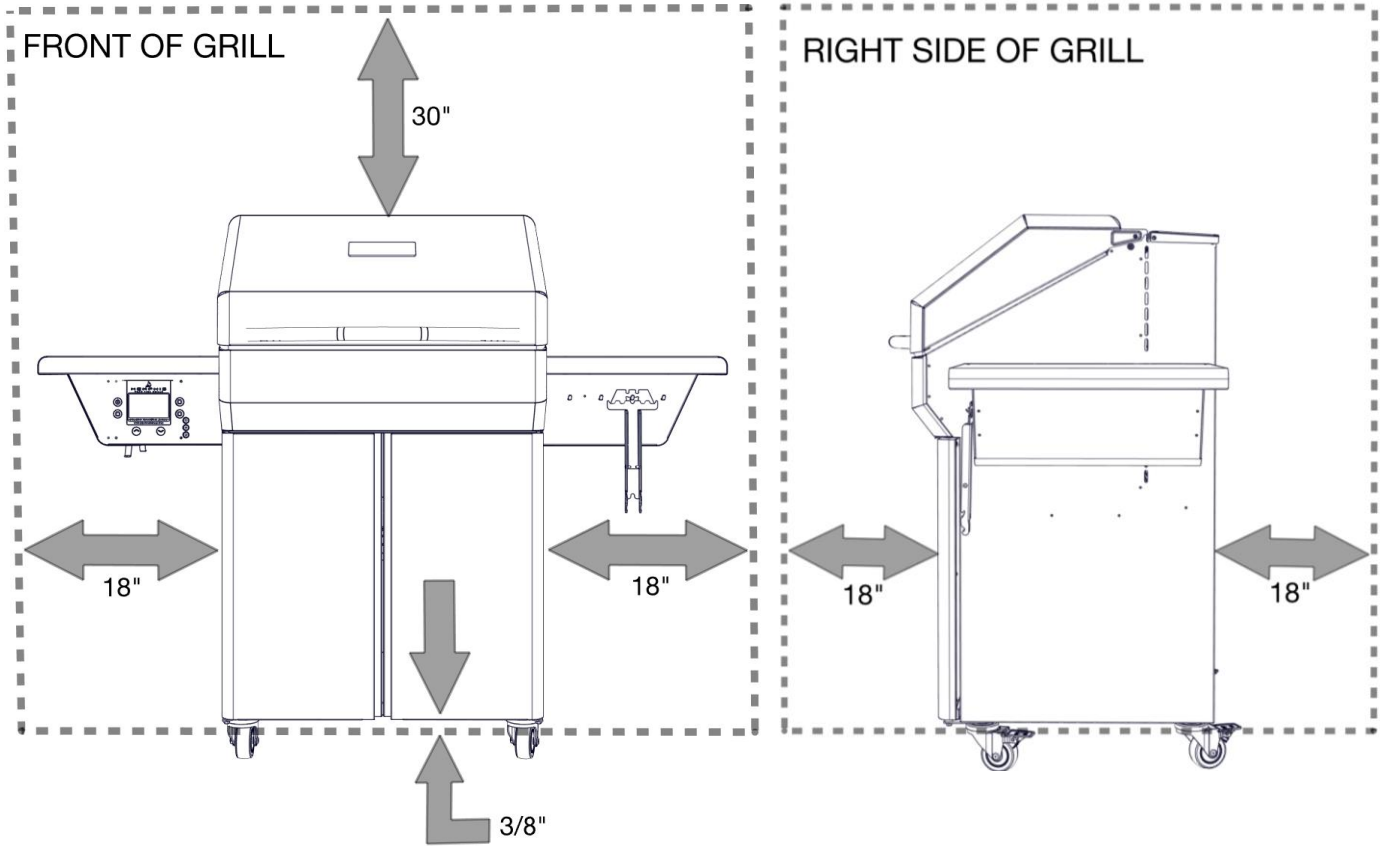
**READ ALL INSTRUCTIONS BEFORE INSTALLING AND USING THIS APPLIANCE
SAVE THESE INSTRUCTIONS FOR FUTURE REFERENCE**





YOUR MEMPHIS GRILL MUST MAINTAIN THE SPECIFIED CLEARANCE TO COMBUSTIBLE MATERIALS WHILE OPERATING THE GRILL OR WHILE THE GRILL IS HOT!

CLEARANCE TO COMBUSTIBLE MATERIALS



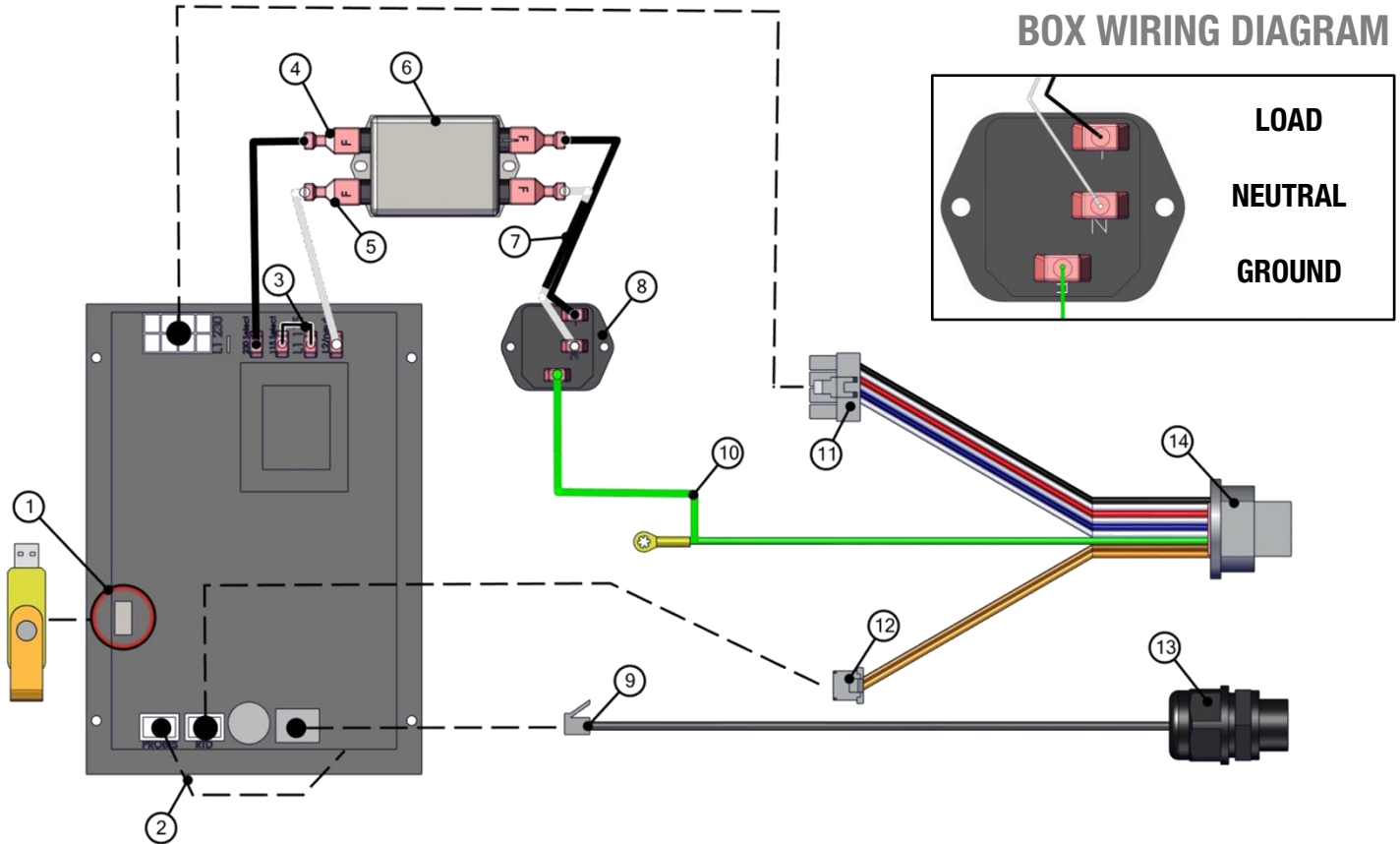
- Below are some guidelines to ensure safe operation of your Memphis Grill
- The grill is to be supported by the casters provided.
 - Grill casters are to be locked while the grill is in use or while the grill is hot.
 - It is recommended that the grill be placed on a non-combustible surface.
 - Operating the grill under a combustible ceiling or overhang is **NOT** recommended.
 - Maintain the minimum clearance to combustible materials specified below.

A MAJOR CAUSE OF FIRES IS FAILURE TO MAINTAIN REQUIRED CLEARANCES (AIR SPACES) TO COMBUSTIBLE MATERIALS. IT IS OF THE UTMOST IMPORTANCE THAT THIS PRODUCT BE INSTALLED ONLY IN ACCORDANCE WITH THESE INSTRUCTIONS





MEMPHIS ELITE CONTROLLER BOX WIRING DIAGRAM

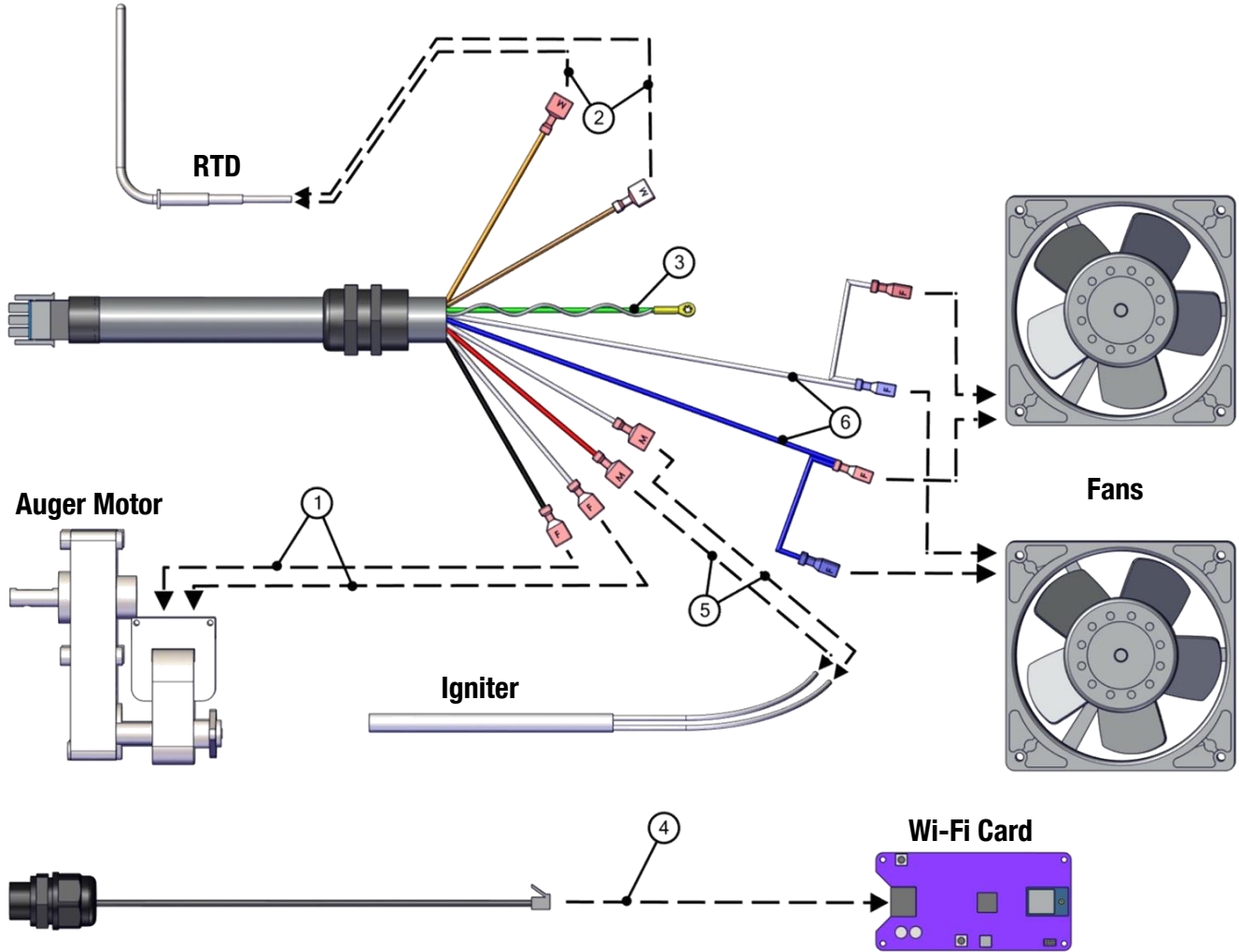


Item #	NAME	DESCRIPTION
1	USB Port	Used to update your grill, see the "Updating Controller Software" section of the main manual for information.
2	Meat Probe Wiring	This terminal is used to connect the meat probes to the controller.
3	120/240 Select Jumper	Used when changing the input voltage to the controller, see "120v to 240v Conversion" section of the main manual for information.
4	AC Load Wire from Filter to Controller	Carries AC voltage from the filter to the control board, load wire.
5	AC Neutral Wire from Filter to Controller	Carries AC voltage from the filter to the control board, neutral wire.
6	Filter	Reduces electrical feedback. Line = Outlet Side, Load = Grill Side. L1 = Load L2= Neutral
7	AC Neutral and Load from IEC to Filter	A two wire component which has a ferrite choke to eliminate input electrical disturbances from the grid. Load and Neutral wires.
8	IEC Plug	The same plug terminal used to attach your power cord to your grill. Top down view.
9	Ethernet Cable	Used to connect your grill controller to the Wi-Fi card in the back of the grill.
10	Grounding Wire	In the event your grill experiences a short, the grounding wire will send the voltage to the 3 rd prong of a standard AC outlet.
11	AC Component Wiring	This large plastic connector carries all voltage used for AC components in the grill. See "Component Wiring Diagram" for a description of all wires in this connector.
12	RTD Wiring (DC)	This small plastic connector carries DC voltage to the RTD.
13	Controller Box Ethernet Cable Gland	This gland is a weather tight pass-through for the Ethernet cable into the back of the controller box.
14	Controller Box Plug	This plug is a weather tight quick disconnect for the main wiring harness which carries all AC,DC, and Ground wires to the grill's components.



MEMPHIS ELITE COMPONENT WIRING DIAGRAM

NOTE: ALL TWO WIRE PAIRS FOR A SPECIFIC COMPONENT ARE REVERSABLE
Example: The auger motor wiring can have the either spade connector from its two wire pair attached to either terminal and the motor will function normally.



Item #	NAME	Wire Identification	DESCRIPTION / INSTRUCTION
1	Auger Motor Wiring	1x Black Wire, 1x White Wire	Attach both spade connectors to their respective terminals on the top of the auger motor as indicated by the arrows shown above.
2	RTD Wiring	1x Orange Wire, 1x Brown Wire	Attach both spade connectors to the leads extending from the RTD as shown above.
3	Grounding Wire	Green Wire	The connection point for the ground is located directly below the auger motor on the vertical panel behind the auger motor.
4	Ethernet Cable	Black Cable with Ethernet End	Attach the Ethernet cable to the terminal on the Wi-Fi card as shown. Ensure that the wiring does not interfere with the auger motor's moving components.
5	Igniter Wiring	1x Red Wire, 1x White Wire	Attach both spade connectors to the leads extending from the igniter. These leads will extend from the airbox and can be located in between the two fans.
6	Fan Wiring	1x Blue Wire w/ 2 spade ends, 1x White Wire w/ 2 spade ends	Attach BOTH blue spade connectors to 1 fan and then attach the red spade connectors to the other fan.

