

# ELECTRIC KNIFE



**INSTRUCTION MANUAL**

MODEL: EK145B

# THANK YOU

for your purchase!

FOLLOW US FOR MORE KITCHEN  
TIPS, HACKS, & INSPIRATIONS!



[shopelitegourmet](#)

## LET'S GET COOKING!

---



**Maxi-Matic, USA**  
18401 E. Arenth Ave  
City of Industry, CA  
91748-1227



[shopelitegourmet.com](#)  
Visit our website to  
contact us for support.  
Register your product online!

# Electric Knife

important safeguards .....	3
parts identification.....	7
before first use .....	8
how to use your electric knife.....	8
cleaning and maintenance.....	11
warranty and customer service .....	13



## **READ ALL INSTRUCTIONS BEFORE USE**

To ensure your safety and enhance your experience with this product, always read the instruction manual before using.

# IMPORTANT SAFEGUARDS

The Elite Brand takes consumer safety very seriously. Products are designed and manufactured with our valued consumers' safety in mind. Additionally, we ask that you exercise a level of caution when using any appliance by following all instructions and important safeguards. When using kitchen appliances, basic safety precautions should always be followed, including the following:

- 1. READ ALL INSTRUCTIONS CAREFULLY.**
2. This appliance is not intended for use by children. Keep the appliance and its power cord out of reach of children.
3. Always disconnect the appliance from the power supply when it is left unattended, and before assembling, disassembling, or cleaning.
4. Exercise caution when handling the cutting blades, as they are extremely sharp.
5. This appliance is not intended for use by persons with reduced physical, sensory, or mental capabilities, or by persons lacking experience and knowledge, unless they have been given supervision or instruction concerning the use of the appliance by a person responsible for their safety.
6. Children shall be supervised to ensure that they do not play with the appliance.
7. If the power cord is damaged, it must be replaced by the manufacturer, its service agent, or similarly qualified personnel in order to avoid a hazard.
8. To prevent overheating, do not operate the appliance continuously for more than 3 minutes.
9. Switch off the appliance and disconnect it from the power supply before changing accessories or approaching/handling moving parts.

# IMPORTANT SAFEGUARDS

10. Use only accessories supplied with the appliance.
11. This appliance is intended for household use only.
12. Clean all parts that come into contact with food before using the appliance for the first time and each use thereafter. For detailed instructions, refer to the Cleaning and Maintenance section.
13. To protect against risk of electrical shock, do not immerse the appliance, power cord, or power plug in water or any other liquids.
14. Before connecting the appliance to the power supply, ensure that the voltage listed on the rating label matches your household voltage. If it does not, contact your retailer and do not use the appliance.
15. Do not attempt to repair the appliance yourself. In the event of a malfunction, have the appliance serviced only by qualified personnel.
16. Do Not use this appliance with an external timer or separate remote-control system.
17. Plug the appliance into an easily accessible outlet so it can be unplugged quickly in case of an emergency.
18. Do Not operate the appliance if it is visibly damaged or if the power cord or plug is defective.
19. Never use the appliance if it has been dropped or damaged in any way. Disconnect it from the power supply and contact the retailer or an authorized service center for inspection or repair.
20. To prevent damage to the power cord, do not twist, bend, or press it against sharp edges.
21. Keep the appliance and power cord away from hot surfaces and open flames.
22. Do Not allow the power cord to hang over the edge of a table or countertop.

# IMPORTANT SAFEGUARDS

23. Do Not operate the appliance with wet hands or while standing on a wet surface. Do not touch the plug with wet hands.
24. Do Not pull on the power cord to unplug the appliance. Always unplug by holding the plug itself.
25. Arrange the power cord so it will not be pulled, caught, or tripped over.
26. Never attempt to retrieve an electrical appliance that has fallen into water. Unplug it immediately from the outlet.
27. Avoid contacting moving parts.
28. Do not use outdoors.
29. Blades are sharp. Handle carefully. Always handle blades with hand away from cutting edge.
30. Carefully route the power supply cord to avoid damage from the knife blades while cutting.

**SAVE THESE INSTRUCTIONS.  
THIS PRODUCT IS FOR  
HOUSEHOLD USE ONLY.**

## short cord purpose

**NOTE:** A short power cord is provided to reduce the risk of personal injury resulting from becoming entangled in or tripping over a longer cord.

**Longer power-supply cords or extension cords may be used if care is exercised in their use.**

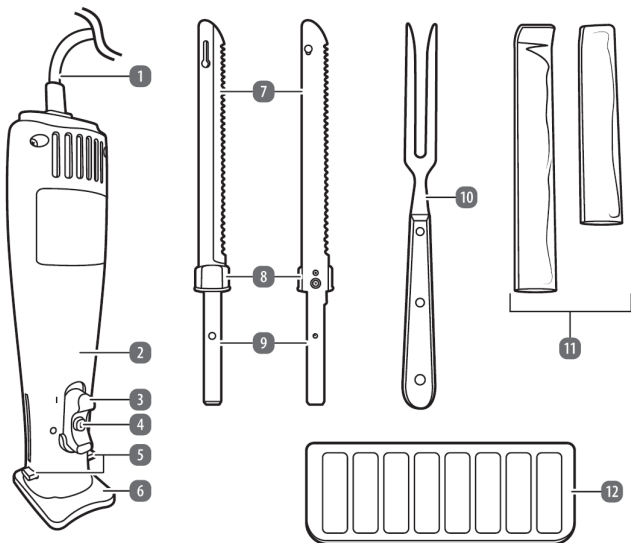
If an extension cord is used: (1) the marked electrical rating of the extension cord should be at least as great as the electrical rating of the product; (2) the extension cord should be arranged so that it will not drape over the countertop or tabletop where it can unintentionally be pulled on or tripped over by children or pets.

## polarized plug

If this appliance is equipped with a **polarized plug** (one blade is wider than the other), please follow the below instructions:

To reduce the risk of electrical shock, this plug is intended to fit into a polarized outlet only one way. If you are unable to fit the plug into the electrical outlet, try reversing the plug. If the plug still does not fit, contact a qualified electrician. Never use the plug with an extension cord unless the plug can be fully inserted into the extension cord. Do not alter the plug of the product or any extension cord being used with this product. Do not attempt to defeat the safety purpose of the polarized plug.

# parts identification



1. Power Cord and Plug
2. Handle
3. Power Switch
4. Safety Lock Button
5. Blade Release Buttons
6. Stand

7. Blades
8. Blade Grips
9. Blade Shafts
10. Carving/Serving Fork
11. Protective Sleeves
12. Storage Case

## before first use

1. Use care when opening the packaging to avoid damaging the product. Do not use sharp objects.
2. Remove the product from the packaging.  
**CAUTION:** *Keep all packaging materials away from children and pets. These materials can pose a suffocation hazard or may be accidentally swallowed.*
3. Remove all packaging materials and discard or recycle properly
4. Verify that all components are included (see Parts Identification).
5. Inspect the product and all parts for damage. If any damage is found, do not use the product. Contact customer support using the information provided on the cover of this manual.
6. Before using the product for the first time, clean all the parts as described in "Cleaning & Maintenance".

## how to use

**CAUTION:** *Blades are very sharp.*

### Inserting the Blades:

1. Ensure the power cord is unplugged from the outlet.
2. Carefully remove the blades from their protective sleeves.
3. Hold the blades by the blade grips with the blade shafts pointing outward.
4. Align the rivet on one blade with the keyhole on the other blade and slide it into place to lock the blades together (Fig. 1).
5. Hold the handle with the power switch facing downward. Insert the assembled blade shafts into the blade slots, ensuring the serrated edges face downward (Fig. 2). The blade release buttons will click and extend outward when the blades are fully seated.

## how to use (cont.)

**CAUTION:** The serrated edges of the blades are sharp. Always hold the blades by the blade grips while assembling the product to avoid injury.

**CAUTION:** Blades will only fit with the serrated edge facing downwards.

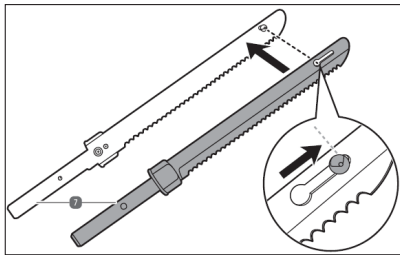


Fig. 1

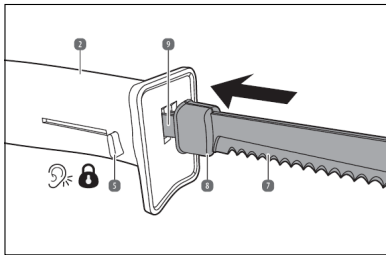


Fig. 2

### Cutting Food:

1. Place the food on a dry, stable cutting board.
2. Plug the power cord into a suitable household outlet.
3. To turn the appliance on, press and hold the safety lock button, then slide the power switch to the "I" position (Fig. 3).
4. If needed, use the carving/serving fork to hold the food securely. Guide the knife downward to cut or slice; do not use a sawing motion.
5. To turn the appliance off, release both the safety lock button and the power switch simultaneously.
6. Between cuts, rest the appliance on the stand with the serrated edges facing downward.

**CAUTION:** When using the appliance, small food particles or liquid

## how to use (cont.)

splatter may reach the eyes. Wear protective eyewear to prevent eye irritation or injury.

**WARNING:** Do not place hands or fingers near the blades while the appliance is switched on and in use.

**CAUTION:** To prevent overheating, do not operate the appliance for more than 3 minutes continuously. If the appliance overheats, stop using it for at least 20 minutes until it cools down.

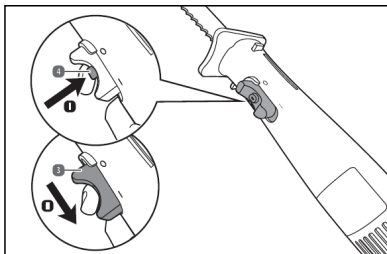


Fig. 3

### Removing the Blades:

1. Unplug the power cord from the electrical outlet.
2. Hold the handle with the serrated edges facing downward.
3. Press both blade release buttons simultaneously to eject the blades.
4. Grasp the blades by the blade grips and pull them straight out from the blade slots.

### NOTES AND TIPS

- Do not cut through bones. When slicing meat near the bone, cut until you are close to the bone, then separate the meat from the bone manually.
- Allow larger cooked meats to rest for at least 15 minutes before slicing.
- Do not attempt to sharpen the blades.
- Clean the blades thoroughly between cutting different types of food to prevent cross-contamination.

# cleaning & maintenance

**CAUTION:** *Disconnect the appliance from the electrical outlet before cleaning.*

**CAUTION:** *Never immerse the appliance in water or any other liquids. Prevent water or other liquids from entering the housing.*

**CAUTION:** *The serrated edges of the blades are sharp. Always hold the blades by the blade grips to avoid injury.*

**NOTE:** *Do not use aggressive cleaners, metal or nylon brushes, or sharp or metallic cleaning tools such as knives or hard scrapers. These may damage the appliance's surfaces.*

## **Cleaning the Handle:**

1. Wipe the handle with a clean, slightly damp cloth.
2. Dry the handle with a soft, clean cloth.

## **Cleaning the Blades:**

1. Slide the rivet on one blade out of the keyhole of the other blade to unlock and separate the blades.
2. Carefully wash the blades in warm water using mild dish soap.
3. Carefully dry the blades thoroughly with a soft, clean cloth.

## **Cleaning the Carving Fork:**

1. Carefully wash the carving fork in warm water using mild dish soap.
2. Carefully dry the carving fork thoroughly with a soft, clean cloth.

## **Storage:**

- Protect the appliance from dust, water, moisture, frost, extreme temperature, high humidity and direct sunlight.

## cleaning & maintenance (cont.)

- Before storing the appliance in the storage case, clean all parts as described in the "Cleaning & Maintenance" section.
- Store the blades and carving fork in the protective sleeves.
- Dry the appliance completely before storage.
- Always store the product in a dry, cool place.
- Store the appliance out of reach from children and pets.
- Always store blades with cutting edge away from you.
- Any other servicing should be performed by an authorized service representative

**LIMITED WARRANTY\* ONE (1) YEAR WARRANTY IS ONLY VALID WITH  
PROOF OF PURCHASE FROM AN AUTHORIZED DEALER  
PLEASE DO NOT RETURN TO STORE OF PURCHASE.**

If you have any problems with this unit, contact Customer Service for support.

1. Your small kitchen appliance is warranted to the original purchaser to be free from any manufacturing defects under normal use and conditions for one (1) year, cord excluded. This Warranty applies only to the original purchaser of this product.
2. Retail stores/merchants selling this product do not have the right to alter, modify, or in any way revise the terms and conditions of the warranty.
3. If you use your appliance for household use and according to instructions, it should give you years of satisfactory service.
4. At its sole discretion, Maxi-Matic USA will either repair or replace the product found to be defective during the warranty period.
5. The repaired or replacement product will be in warranty for the remaining balance of the one-year warranty period and an additional one-month period.
6. Consumer's remorse is not an acceptable reason to return a product to our Service Center.
7. This limited warranty covers appliances purchased and used within the 50 U.S. states plus the District of Columbia and does NOT cover normal wear of parts or:
  - Product Purchases that were listed as USED, LIKE NEW, OPEN BOX, or REFURBISHED from Outlet Shops or Online Retailers.
  - Damages caused by unreasonable use, neglect, normal wear and tear, commercial use, improper assembly or installation of product.
  - Damages caused in shipping.
  - Damages caused by replacement or resetting of house fuses or circuit breakers.
  - Defects other than manufacturing defects.
  - Breakage caused by misuse, abuse, accident, alteration, lack of proper care and maintenance, or incorrect current or voltage.
  - Lost or missing parts of the product. Parts will need to be purchased separately.

- Damages of parts that are not electrical; i.e. cracked or broken plastic/glass, scratched/dented inner pots.
- Damage from service or repair by unauthorized personnel.
- Extended warranties purchased via a separate company or reseller.
- Acts of nature such as fire, floods, hurricanes, tornadoes, etc.

8. This warranty does not apply to re-manufactured merchandise.

Maxi-Matic, USA shall not be liable for any incidental or consequential damages caused by the breach of any express or implied warranty. Apart from the extent prohibited by applicable law, any implied warranty of merchantability or fitness for a particular purpose is limited in time to the duration of the warranty.

\*One Year Limited Warranty valid only in the 50 U.S. states plus the District of Columbia, excluding Puerto Rico and the Virgin Islands.

This warranty is effective only if the product is purchased and operated in the USA; product usage which is in violation of the written instructions provided with the unit will void this warranty. For international warranty, please contact the local distributor.

This warranty gives you special legal rights and you may also have other rights to which you are entitled which may vary by state, province, and/or jurisdiction.

\*\*Any instruction or policy included in this manual may be subject to change at any time.

**MAXI-MATIC, USA**  
**18401 E. Arenth Ave. City of Industry, CA 91748**  
**Visit: [shopelitetourmet.com](http://shopelitetourmet.com) to contact us for support**

# return

**A.** Any return of defective merchandise to Maxi-Matic, USA must be processed accordingly by first contacting customer service to obtain an RA # (Return Authorization Number). We will not accept any returns of merchandise without an applicable RA #.

**B. IMPORTANT RETURN INSTRUCTIONS.** Your Warranty depends on your following these instructions if you are returning the unit to Maxi-Matic, USA:

1. Carefully pack the item in its original carton or other suitable box with sufficient cushioning to avoid damage in shipping.
2. Before packing your unit for return, be sure to enclose:
  - a. Your name, full address with zip code, daytime telephone number, and RA#,
  - b. A sales receipt or PROOF OF PURCHASE from an authorized dealer,
  - c. The model number of the unit and the problem you are having (Enclose in an envelope and tape directly to the unit before the box is sealed,) and
  - d. Any parts or accessories related to the problem.
3. Maxi-Matic, USA recommends that you ship the package via UPS ground service for tracking purposes. We cannot assume responsibility for lost or damaged products returned to us during incoming shipment. For your protection, always carefully package the product for shipment and insure it with the carrier. C.O.D shipments cannot be accepted.
4. All return shipping charges must be prepaid by you.
5. Once your return has been received by our warehouse, Maxi-Matic, USA will repair or replace the product if it is defective in material or workmanship, subject to the conditions in paragraph B.
6. Maxi-Matic will pay the shipping charges to ship the repaired or replacement product back to you.







# ELITE CUSTOMER SERVICE CENTER

---



Maxi-Matic, USA  
18401 E. Arenth Ave  
City of Industry, CA  
91748-1227



[shopelitegourmet.com](https://shopelitegourmet.com)  
Visit our website to contact  
us for support.  
Register your product online!



We take pride in the fact that Elite Gourmet products are continuously improving. To keep you well informed of these changes and to reduce paper consumption, we've included this QR code for you to scan and easily download the most recent updates to your product to your mobile device. Just access your camera, point at the QR code & your mobile device will do the rest.

FOLLOW US FOR MORE KITCHEN  
TIPS, HACKS, & INSPIRATIONS!



[shopelitegourmet](https://www.instagram.com/shopelitegourmet)

---

Elite is a registered trademark of Maxi-Matic, USA.  
Copyright Elite by Maxi-Matic.

Actual product may vary from the images/illustrations in this manual due to continual product improvement.



# Elite Gourmet