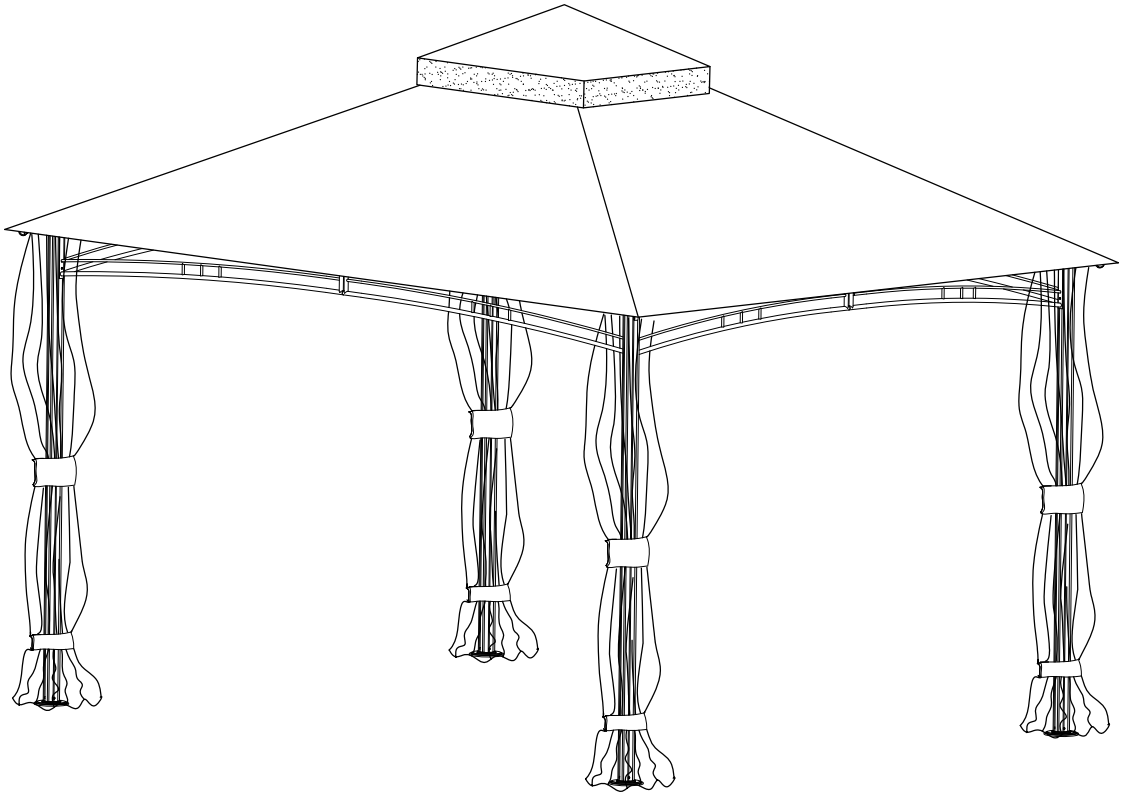




10' x 13' Roof Style Gazebo
Assembly Instruction & User Manual
Menards®SKU: 2723022



- This instruction manual contains important information necessary for the proper assembly and safe use of the structure.
- Read and follow all warnings and instructions before assembling.
- Make sure all parts are present. If you have any questions, please call our Customer Service: (888)-380-7953. For further assistance, please write to us at Email: parts@uriahproducts.com.

Table of Contents

Warnings.....	2
Exploded View.....	3
Parts Identification.....	4
Preassembly Step.....	5-19
Limited Warranty.....	20

Note: Before beginning assembly of product, make sure all parts are present. Compare parts with package content list and hardware contents. If any part is missing or damaged, **DO NOT** attempt to assemble the unit. Contact customer service parts@uriahproducts.com for replacement parts.

Warnings

1. Keep children and pets away from assembly area during assembly.
2. The product should be placed on flat horizontal ground.
3. The assembled gazebo should be located at least 6 feet from any obstruction such as overhanging branches, laundry lines, or electrical wires.
4. Some parts may contain sharp edges. Wear protective gloves if necessary.
5. Must ensure all connectors and poles are firmly secured in position after assembly to avoid collapsing or damage or injury.
6. Must check all nuts and bolts periodically for tightness and tighten them again if needed.
7. Never leave children unattended when they are using or are around this product.
8. Do not use ladder leaning against the gazebo or climbing onto the roof.
9. Do not hang any weights on the roof frame.
10. Do not climb on top of the gazebo to avoid any injury.
11. This gazebo is intended for sunshade purposes only and is not designed to withstand hard weather, including high winds, rain, and snow, especially under extreme weather either.
12. Must remove accumulated water or snow on the roof immediately to avoid damage.
13. Never barbecue under this gazebo or use lanterns that contain naked flames.
14. If the product will not be used for a long period (e.g. winter time), it should be stored in a clean, dry environment.
15. **WARNING:** Please take down the gazebo during strong wind. The manufacturer or retailer is not liable for any loss of the product or other items due to the failure to take down the gazebo during strong wind.
16. Do not use or enter the gazebo if there is visible movement of product supports, any creaks or broken parts, or any damaged locations.


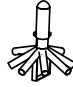

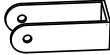





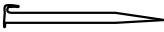

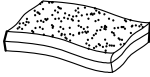

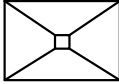

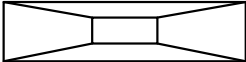

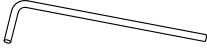
WARNING: Warranty does not cover damage due to extreme weather conditions

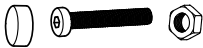


WARNING: This gazebo is not a permanent structure; it is intended solely for providing shade and privacy and should only be used in normal weather. You must fully disassemble the entire unit before any severe weather hits, such as thunderstorms, snow, sleet, hurricanes, or heavy wind and rain.

WARNING: Keep any flame or heat source at a distance from the tent fabric.

WARNING: Always set up the unit on level ground, and use tie-down cords and ground stakes for installation. Do not anchor it permanently to a wooden deck or concrete surface.

Parts Identification

Item	Illustration	Description	QTY	Item	Illustration	Description	QTY
A		Stand Column	4	I		Top Plate	1
B		Short-side Beam	2	K		Inclined Tube Bracket	4
C		Short-side Beam	2	J		Post Foot	4
D		Long-side Beam	2	P		Rope	4
E		Long-side Beam	2	Q		Ground Stake	4
F1		Short Slanted Roof Tube	4	M		Mosquito Netting	1
F2		Long Slanted Roof Tube	4	L1		Vent Cover	1
G		Long slanted Roof Tube	2	L2		Roof	1
H		Short-side Inclined Tube	2	O		Post Anchor	8

Item	Illustration	Description	QTY
#1	 M6*50	M6*50 Bolt & Nut & End Cap	4
#2	 M6*30	M6*30 Bolt & Nut & End Cap	4
#3	 M6*15	M6*15 Bolt & End Cap	40

Assembly Instruction

Step 1:



Part A: Stand Column 4pcs

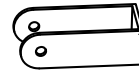


Part J: Post Foot 4pcs



M6*15

Part #3: M6*15 Bolt & End Cap 20pcs

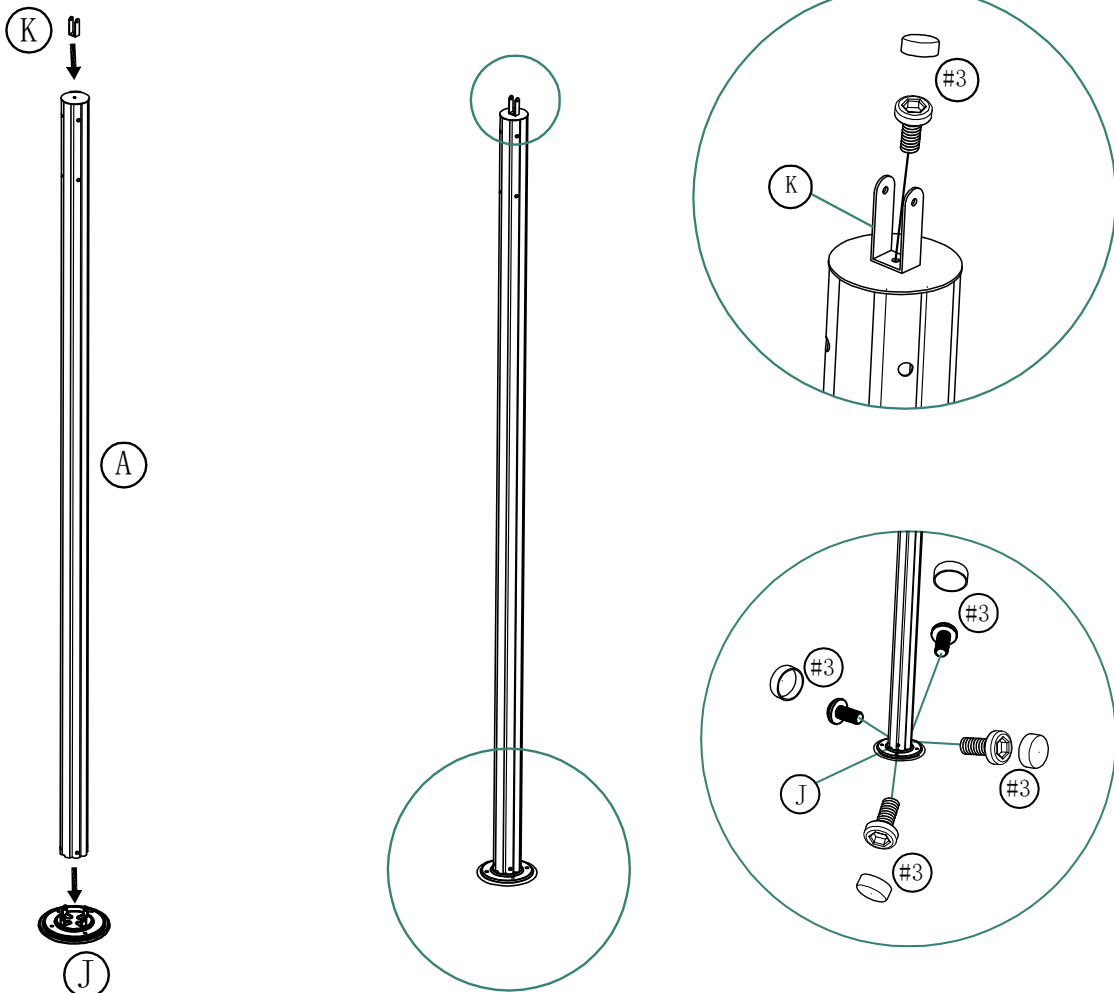


Part K: Inclined Tube Bracket 4pcs

NOTE:

Use Part #3 (M6*15 Bolt & End Cap) to connect Part A (Stand Column) and Part K (Inclined Tube Bracket); do not tighten Part #3 at this stage.

Use Part #3 (M6*15 Bolt & End Cap) to fasten Part A (Stand Column) and Part J (Post Foot) together.



Assembly Instruction

Step 2:



Part B: Short-side Beam 2pcs



Part C: Short-side Beam 2pcs



M6*50

Part #1: M6*50 Bolt & Nut & End Cap 4pcs



Part D: Long-side Beam 2pcs

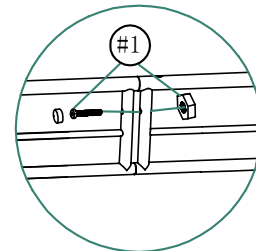
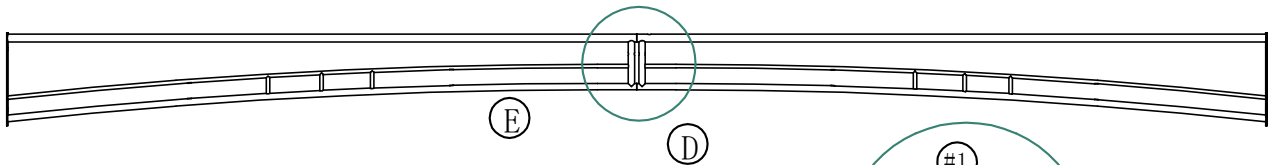
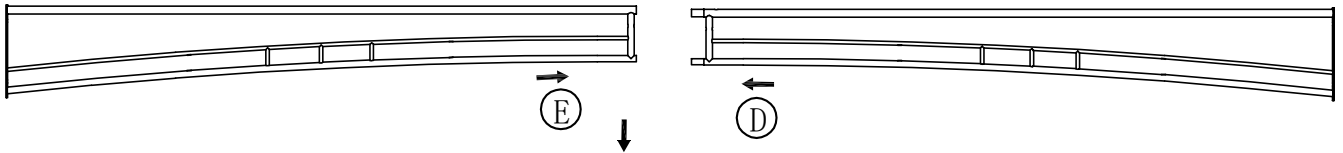
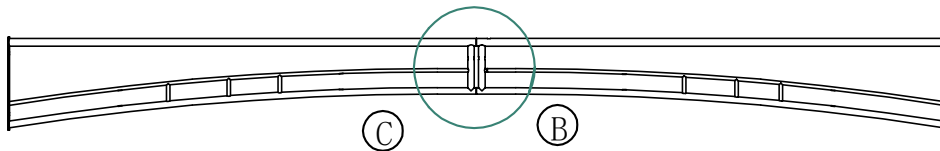
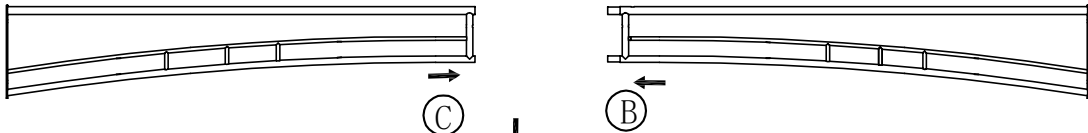


Part E: Long-side Beam 2pcs

NOTE:

Connect Part B (Short-side Beam) and Part C (Short-side Beam) using Part #1 (M6*50 Bolt & Nut & End Cap) .

Connect Part E (Long-side Beam) and Part D (Long-side Beam) using Part #1 (M6*50 Bolt & Nut & End Cap) .

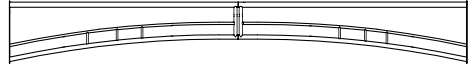


Assembly Instruction

Step 3:



Part A: Stand Column 2pcs



Part B+C: Short-side Beam 1pc

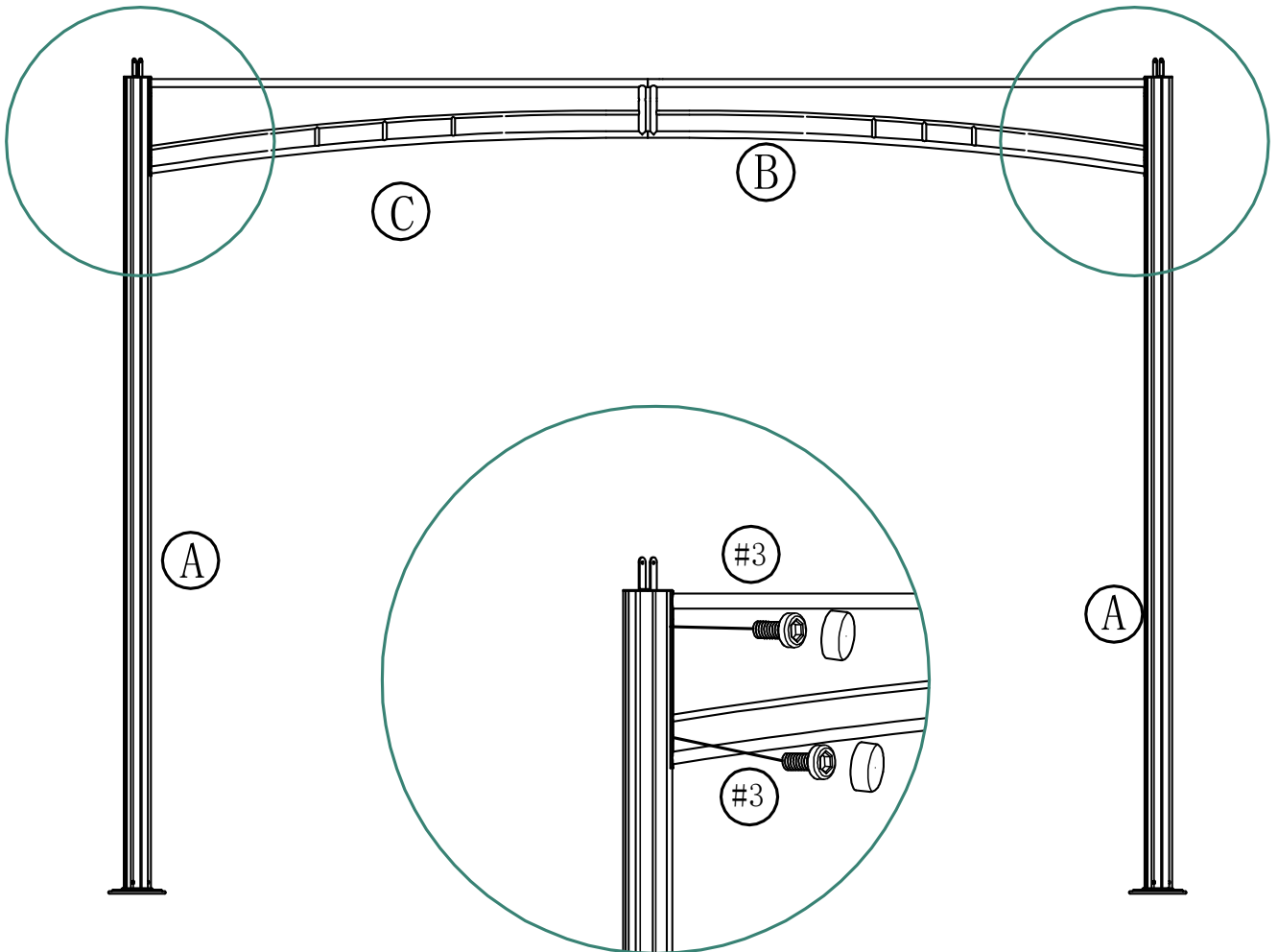


M6*15

Part #3: M6*15 Bolt & End Cap 4pcs

NOTE:

Use Bolt #3 (M6*15 Bolt & End Cap) to connect Part A (Stand Column) with the assembled Part B and Part C from Step 2.

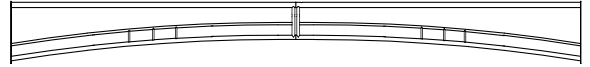


Assembly Instruction

Step 4:



Part A: Stand Column 1pc



Part D+E: Short-side Beam 1pc



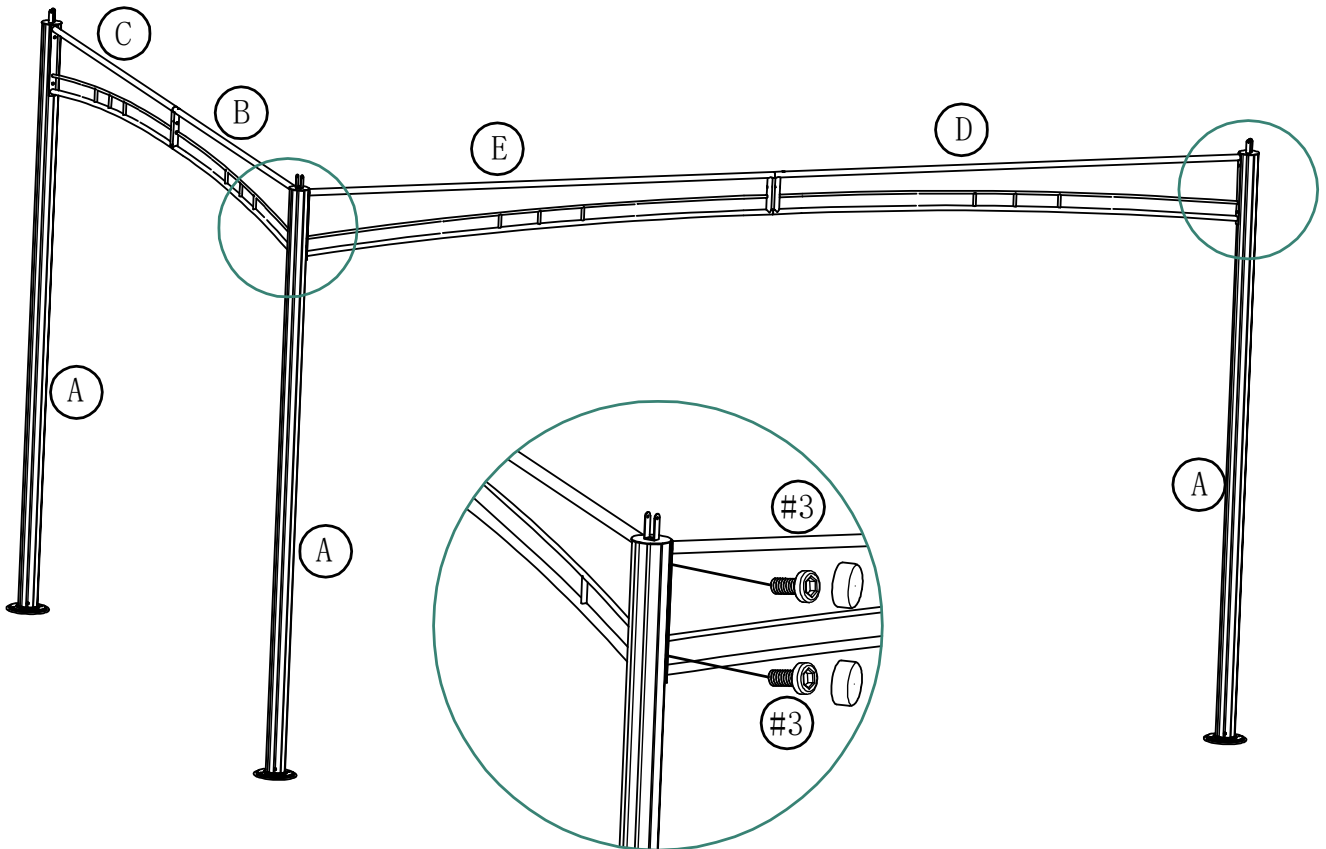
M6*15

Part #3: M6*15 Bolt & End Cap 4pcs

NOTE:

Use Bolt #3 (M6*15 Bolt & End Cap) to connect Part A (Stand Column) with the assembled Part D and Part E from Step 2.

Part #B and Part #E must be installed adjacent to each other; Failure to do so will result in the inability to assemble the roof subsequently.

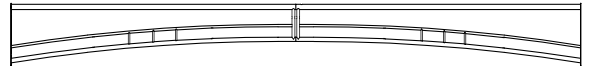


Assembly Instruction

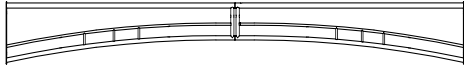
Step 5:



Part A: Stand Column 1pc



Part D+E: Short-side Beam 1pc



Part B+C: Short-side Beam 1pc



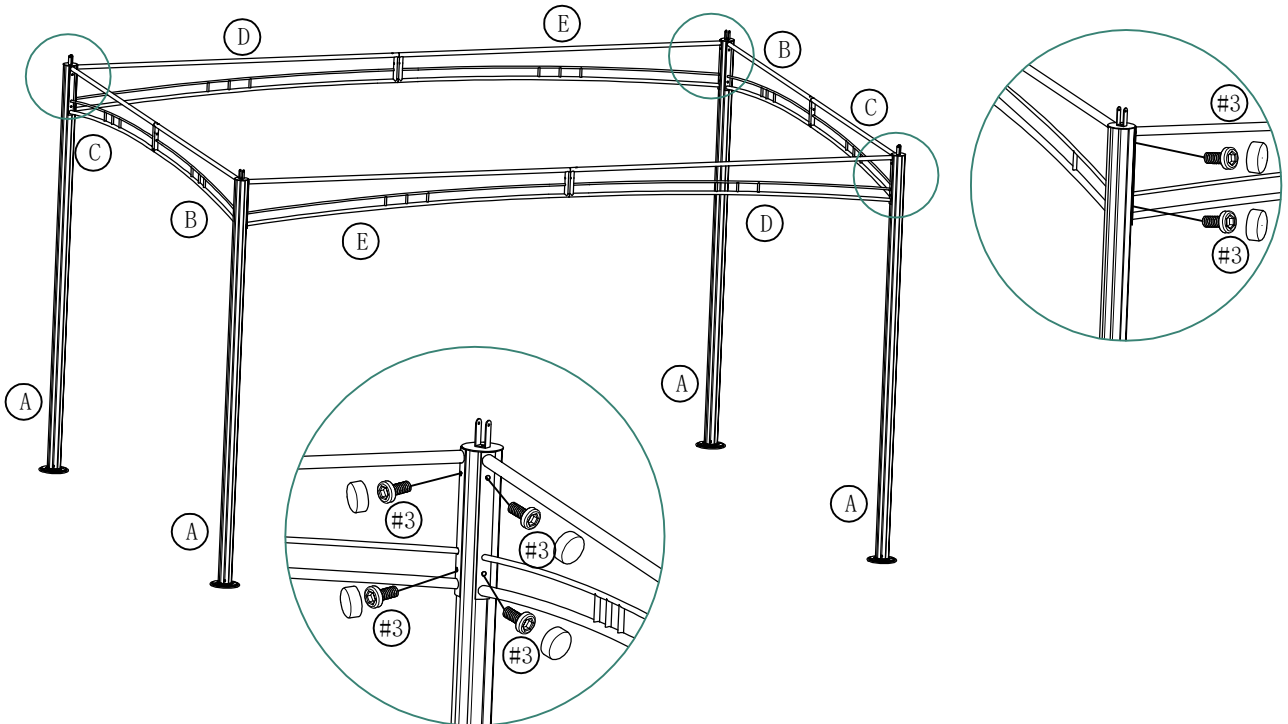
M6*15

Part #3: M6*15 Bolt & End Cap 8pcs

NOTE:

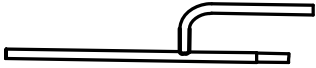
Connect the remaining Part A (Stand Column) with the assembled Part B+C and Part D+E from Step 2 using #3 (M6*15 Bolt & End Cap).

Part #B must be adjacent to Part #E, and Part #C must be adjacent to Part #D during installation. Failure to do so will result in the inability to assemble the roof subsequently.



Assembly Instruction

Step 6:

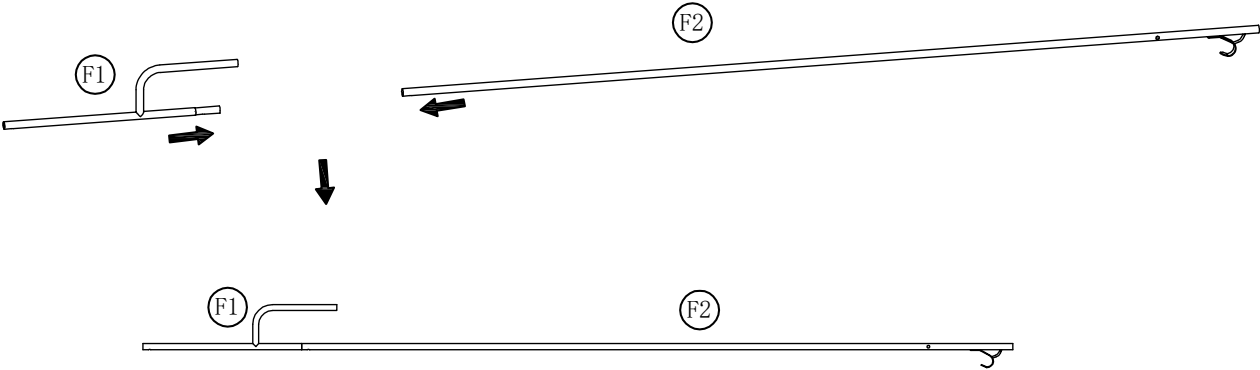


Part F1: Short Slanted Roof Tube 4 pcs



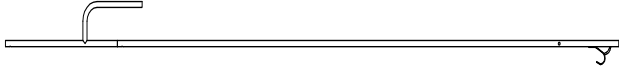
Part F2: Long Slanted Roof Tube 4 pcs

NOTE:
Connect Part F1 (Short Slanted Roof Tube) and Part F2 (Long Slanted Roof Tube) together with a spring clip.

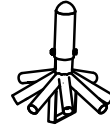


Assembly Instruction

Step 7:



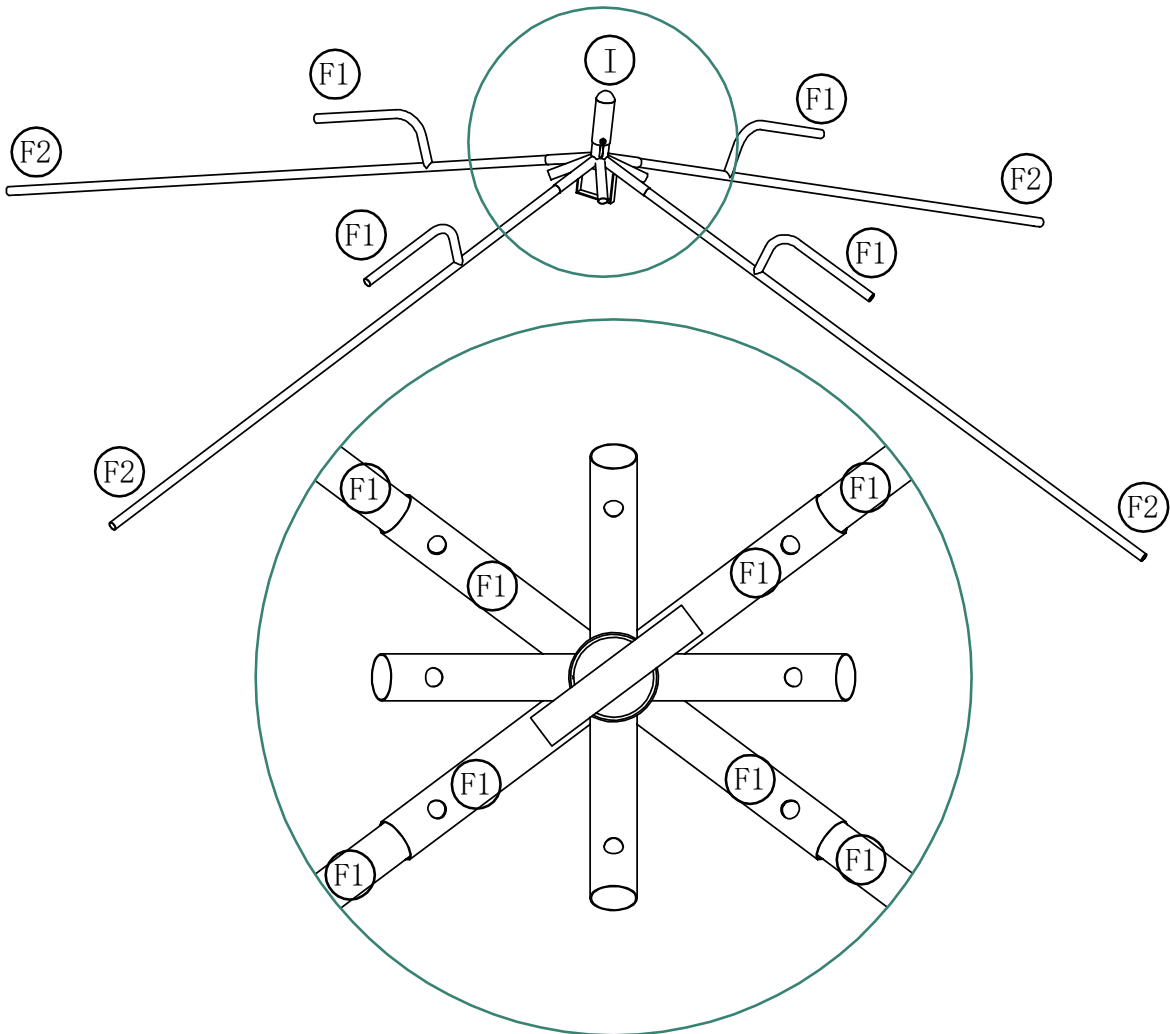
Part F1/F2: Slanted Roof Tube 4 pcs



Part I: Top Plate

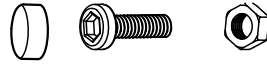
NOTE:

Connect the beveled edge of Part I (Top Plate) with the 4 pcs of assembled Part F1 and Part F2 from Step 6 using a spring clip.



Assembly Instruction

Step 8:

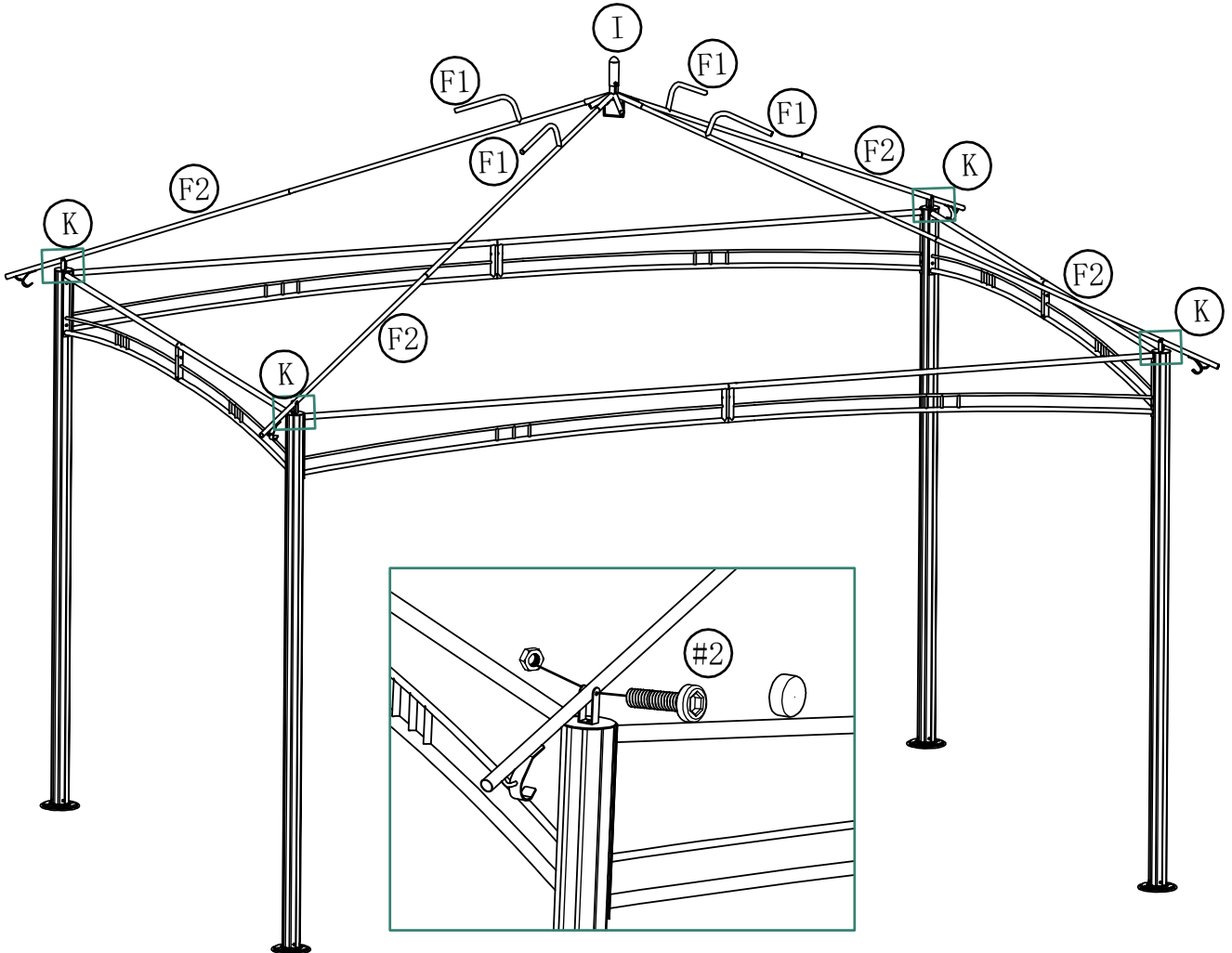


M6*30

Part #2: M6*30 Bolt & Nut & End Cap 4pcs

NOTE:

After confirming the connection orientation between Part K (Inclined Tube Bracket) and Part F2 (Long Slanted Roof Tube), first fasten the nut that secures Part K to Part A (Stand Column), then install the bushing. Following this, connect Part F2 to Part K.



Assembly Instruction

Step 9:



Part G: Long-side Inclined Tube 2pcs



Part H: Short-side Inclined Tube 2pcs

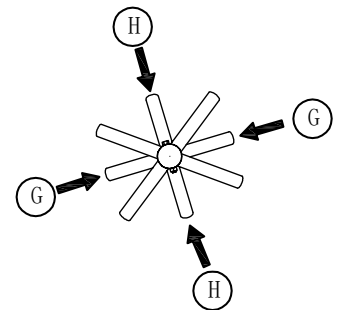
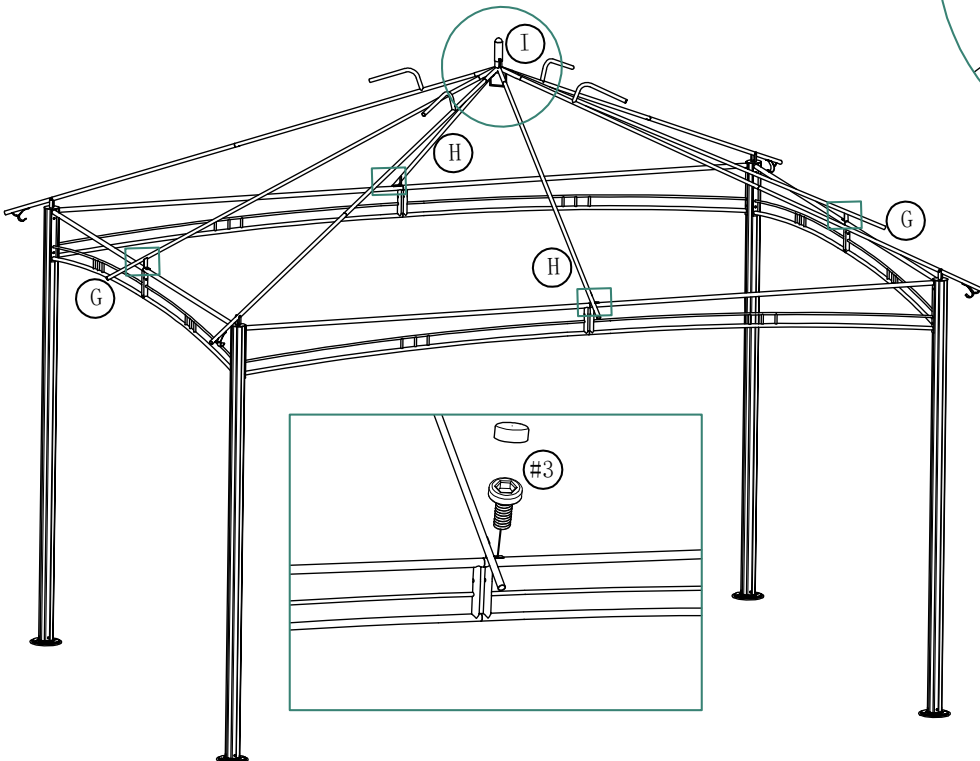
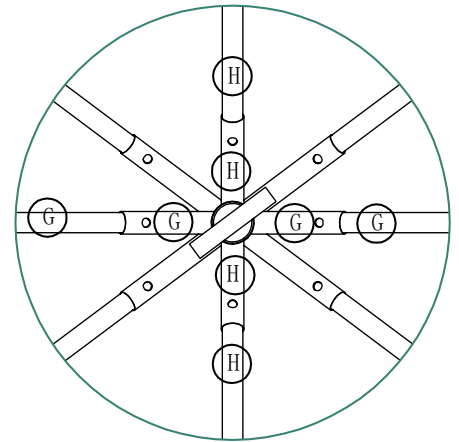


M6*15

Part #3: M6*15 Bolt & End Cap 4pcs

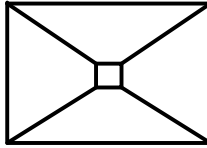
NOTE:

Connect Part H (Short-side Inclined Tube) and Part G (Long-side Inclined Tube) to Part I (Top Plate) using a spring clip. Then connect Part H and Part D (Long-side Beam) with Part #3 (M6*15 Bolt & End Cap), and connect Part G and Part B (Short-side Beam) with Part #3.



Assembly Instruction

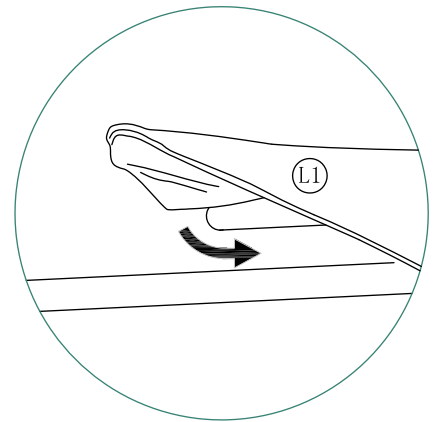
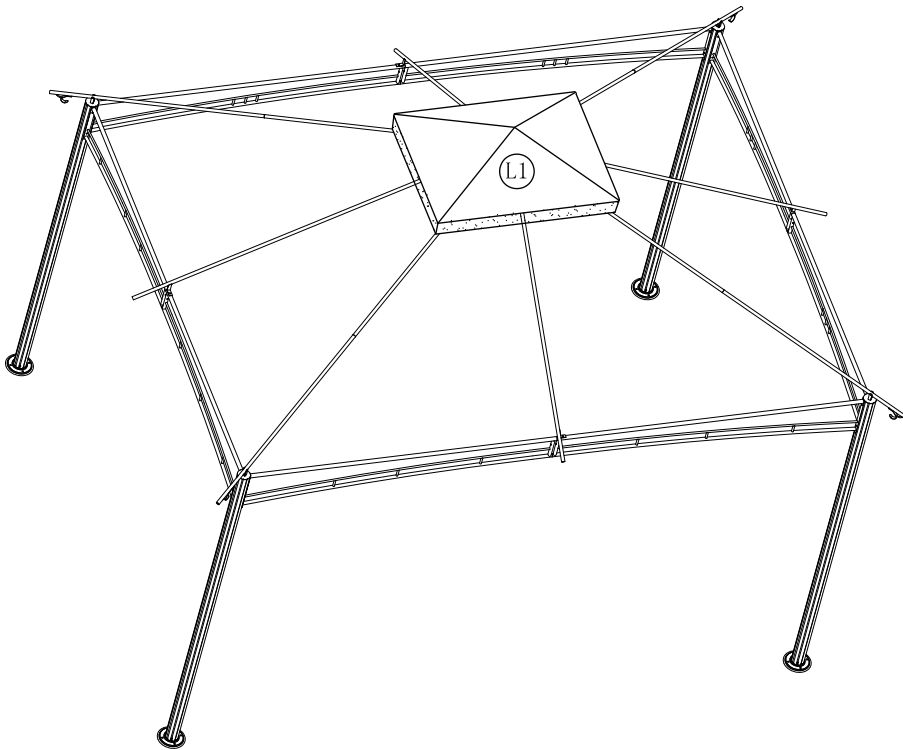
Step 10:



Part L1: Vent Cover

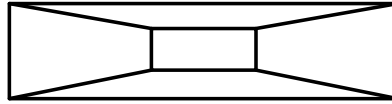
NOTE:

Assemble Part L1 (Vent Cover) : Slip its four corners over the tubes of F1 (Short Slanted Roof Tube) .



Assembly Instruction

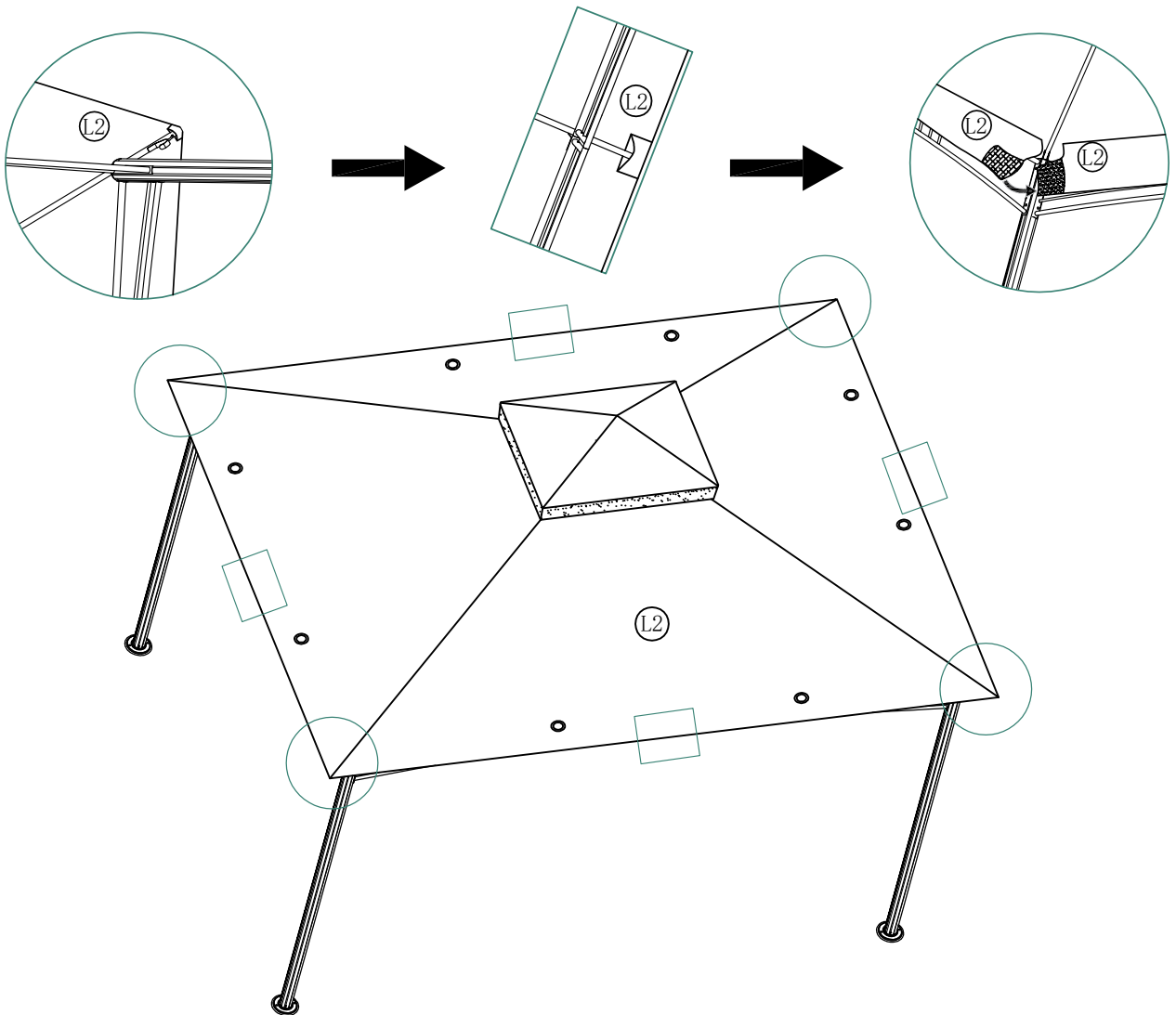
Step 11:



Part L2: Roof

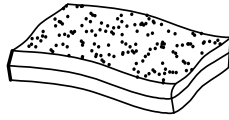
NOTE:

Assemble Part L2 (Roof) : First slip its four corners over the corresponding parts, then attach the middle Velcro.



Assembly Instruction

Step 12:

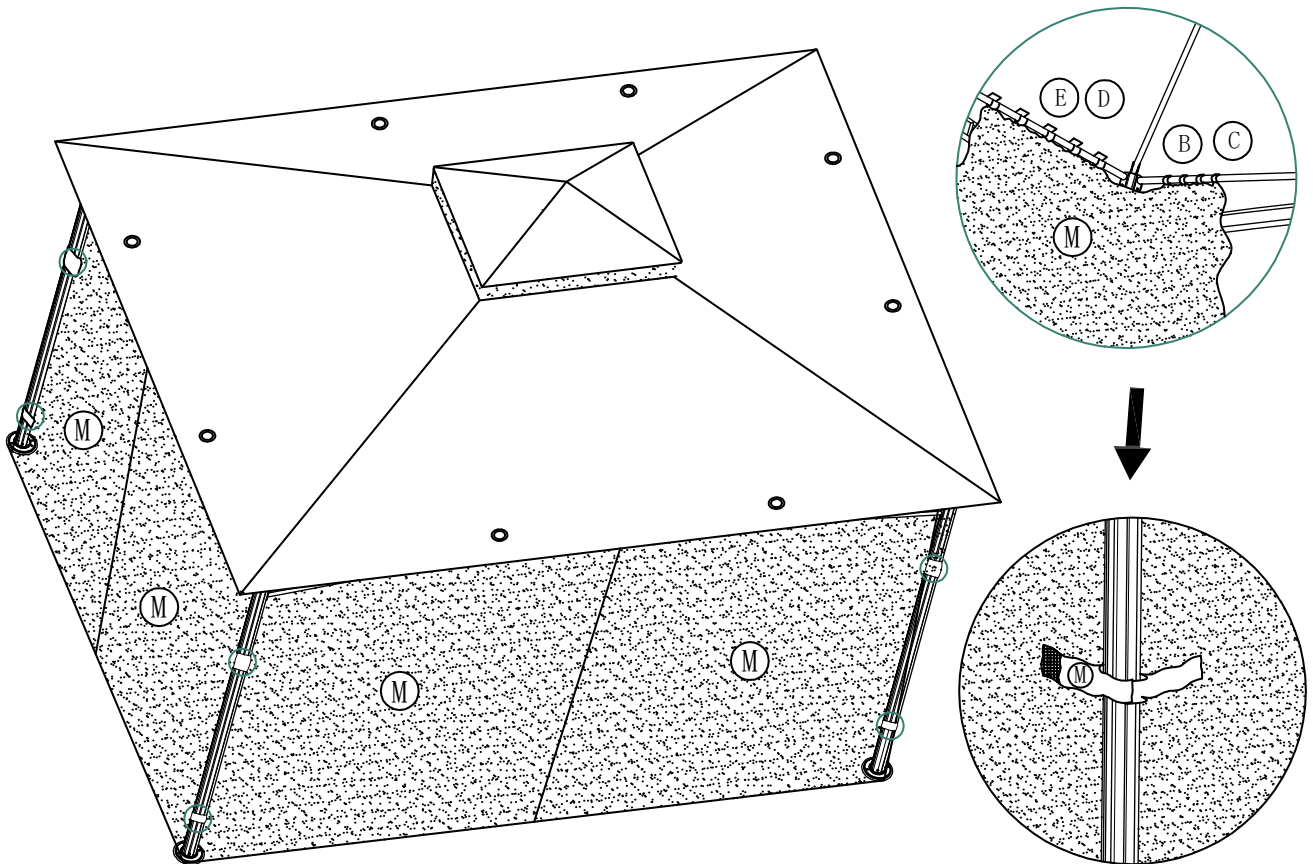


Part M: Mosquito Netting

NOTE:

First, locate the tiebacks on Part M (Mosquito Netting), then identify the long side and short side of each net panel. Next, attach the mosquito netting to the interior of the garden house using hook and loop straps, making sure to align it with the long and short sides of the frame

Find the tiebacks that are sewn to the outer corners of the mosquito netting. When securing the net, always wrap these tiebacks around the corner posts of the garden house.

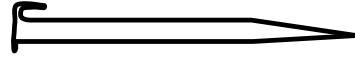


Assembly Instruction

Step 13:



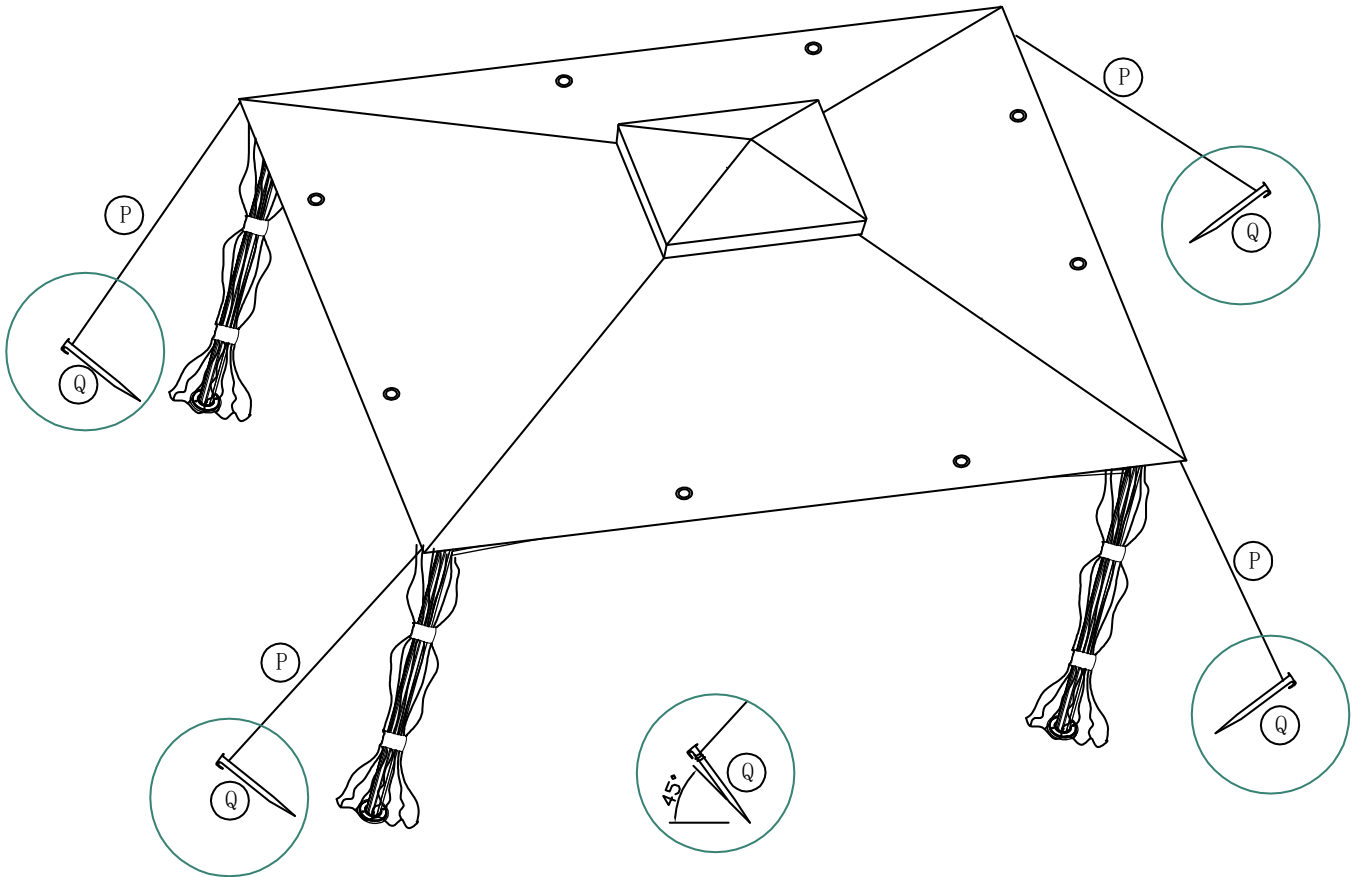
Part P: Rope 4pcs



Part Q: Ground Stake 4pcs

NOTE:

Measure the farthest possible distance from the post—this ensures Part P (Rope) length is used to its fullest—then fasten Part Q (Ground Stake) to the ground at a 45-degree angle.



Assembly Instruction

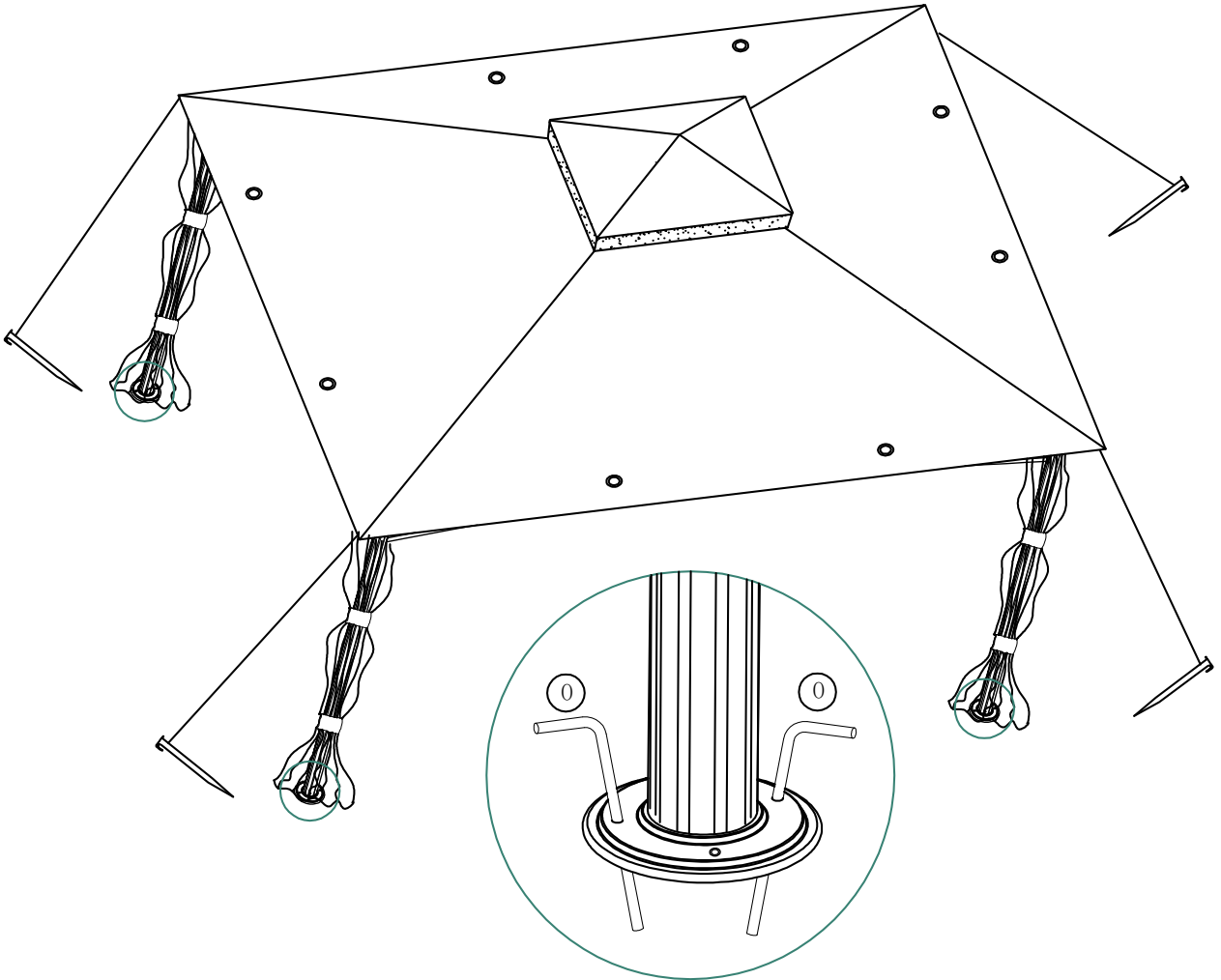
Step 14:



Part O: Post Anchor 8pcs

NOTE:

First, carefully adjust the position of the canopy gazebo. Make sure all four posts stand perfectly upright on level ground. Then, for each post base, hammer two Part O (Post Anchor) through its holes and into the ground.

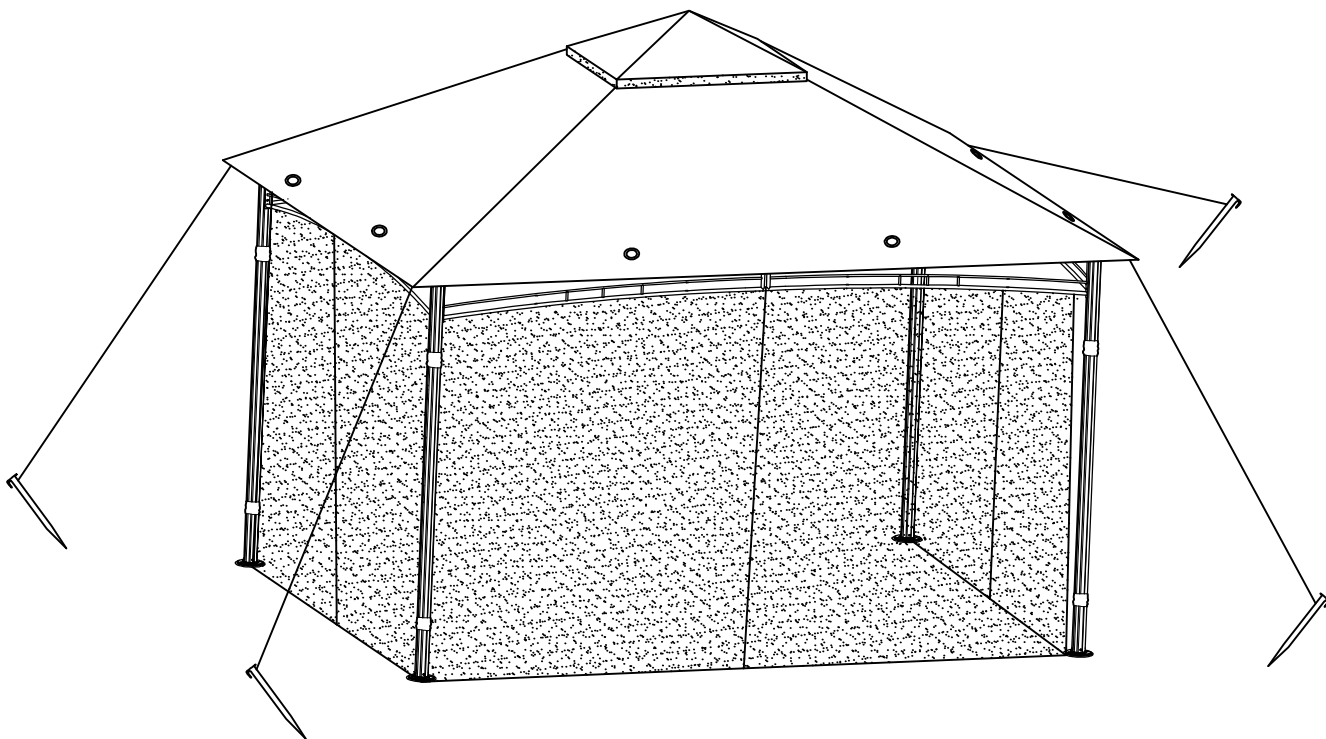


Assembly Instruction

Step 15:

NOTE:

Upon completion of installation, verify that each bolt is securely tightened.



LIMITED WARRANTY

1. Manufacturer warrants this Product to be free from defects in workmanship and materials for a period of one year from the date of purchase, PROVIDED claims are submitted, in writing with proof of purchase.
2. If any part of this item fails because of a manufacturing defect within the Limited Warranty Period, Manufacturer offers to replace such part(s) provided that such parts have not been improperly repaired, altered, or tampered with or subject to misuse, abuse, or exposed to corrosive conditions. This Limited Warranty is, however, subject to certain limitations, exclusions, time limits, and exceptions(Hereinafter Conditions") as listed below. Read these Conditions carefully.
3. This Limited Warranty shall be limited to the replacement or repair of any part(s) which Manufacturer determines, after reasonable examination, to have been defective at the time of manufacturing and manufacturer's obligation(s) shall be limited to replacement, if any, of defective part(s) which shall be shipped at Original Purchaser' s expense to Original Purchaser' s designated shipping address.
4. This Limited Warranty is given to and covers the ORIGINAL PURCHASER ONLY and such coverage terminate: One year from the date of purchase.
5. DAMAGE LIMITATION WARNING: In no event shall manufacturer be liable for any incidental or consequential damages, including (but not limited to) loss of use of the product, loss of time, loss of food, inconvenience, expense for travel, transportation lodging expenses, loss by damage to personal property, or loss of income, profits, or revenue.
6. MANUFACTURER'S OBLIGATION: Manufacturer's liability shall be limited to the delivery of a good, merchantable Product and, if necessary, the repair or replacement, at manufacturer' s option, of any defective part or unit.
7. TRANSFER LIMITATIONS: This Limited Warranty is not assignable or transferable. It covers only the original purchaser.
8. RESERVED RIGHT TO CHANGE: Manufacturer reserves the right to make changes or improvements to products it produces in the future without imposing on itself any obligations to install the same improvements in the products it has previously manufactured.
9. This warranty does not cover inclement weather due to high winds, excessive snow or rain, and other extreme weather issues.
10. This Limited Warranty gives the Original Purchaser specific legal rights but there may be other rights which vary by jurisdiction.
11. Rust or corrosion is not deemed a manufacturing or materials defect.
12. If any defect is found, please call our customer service department at (888)-380-7953 for help, or write to us at Email: parts@uriahproducts.com.