

JENN-AIR™ BUILT-IN COFFEE SYSTEM SYSTÈME INFUSEUR À CAFÉ JENN-AIR™

Use & Care Guide

For questions about features, operation/performance, parts, accessories, or service in the U.S.A., call:
1-800-JENNAIR (1-800-536-6247) or visit our website at www.jennair.com.
In Canada, call: **1-800-JENNAIR (1-800-536-6247)**, or visit our website at www.jennair.ca.

Guide d'utilisation et d'entretien

Au Canada, pour assistance, installation ou service, composez le **1-800-JENNAIR (1-800-536-6247)** ou visitez notre site web à www.jennair.ca.

Table of Contents/Table des matières 2

Model/Modèle **JBC7624BS**

JENN-AIR™

W10629090B



TABLE OF CONTENTS

COFFEE SYSTEM SAFETY	2
PARTS AND FEATURES	4
BEFORE USING THE COFFEE SYSTEM	5
COFFEE SYSTEM USE	6
Settings	6
Switching On and Preheating	8
Making Coffee or Espresso Using Coffee Beans	8
Changing the Amount of Coffee	9
Adjusting the Coffee Grinder	10
Making Espresso with Ground Coffee.....	10
Making Cappuccino	10
Dispensing Hot Water	12
COFFEE SYSTEM CARE	13
General Cleaning.....	13
Vacation or Storage	15
Switching Off the Coffee System.....	15
TROUBLESHOOTING	16
ASSISTANCE OR SERVICE	18
In the U.S.A.	18
In Canada	18
WARRANTY	19

TABLE DES MATIÈRES

SÉCURITÉ DU SYSTÈME INFUSEUR À CAFÉ	21
PIÈCES ET CARACTÉRISTIQUES	22
AVANT D'UTILISER LE SYSTÈME INFUSEUR À CAFÉ	23
UTILISATION DU SYSTÈME INFUSEUR À CAFÉ	24
Réglages.....	24
Mise en marche et préchauffage	26
Préparation de café ou d'espresso avec des grains de café....	27
Modification de la quantité de café.....	28
Réglage du moulin à café.....	28
Préparer de l'espresso avec du café moulu	28
Préparer du cappuccino.....	29
Distribution d'eau chaude	30
ENTRETIEN DU SYSTÈME INFUSEUR À CAFÉ	31
Nettoyage général	31
Vacances ou remisage	33
Arrêt du système infuseur à café	33
DÉPANNAGE	33
ASSISTANCE OU SERVICE	35
Au Canada.....	35
GARANTIE	35

COFFEE SYSTEM SAFETY

Your safety and the safety of others are very important.

We have provided many important safety messages in this manual and on your appliance. Always read and obey all safety messages.



This is the safety alert symbol.

This symbol alerts you to potential hazards that can kill or hurt you and others.

All safety messages will follow the safety alert symbol and either the word "DANGER" or "WARNING."

These words mean:

⚠ DANGER

You can be killed or seriously injured if you don't immediately follow instructions.

⚠ WARNING

You can be killed or seriously injured if you don't follow instructions.

All safety messages will tell you what the potential hazard is, tell you how to reduce the chance of injury, and tell you what can happen if the instructions are not followed.

IMPORTANT SAFETY INSTRUCTIONS

WARNING: To reduce the risk of fire, electric shock, or injury to persons when using the appliance, follow basic precautions, including the following:

- Read all instructions before using the appliance.
- Do not touch hot surfaces. Use handles or knobs.
- To protect against fire, electric shock and personal injury do not immerse cord, plugs, or appliance in water or other liquids.
- The appliance is not intended for use by young children or infirm persons without supervision.
- Unplug from outlet when not in use and before cleaning. Allow to cool before putting on or taking off parts, and before cleaning.
- Do not operate any appliance with a damaged cord or plug, or after appliance malfunctions or has been damaged in any manner. Return the appliance to the nearest authorized service center for examination, repair or adjustment.
- The use of accessory attachments not recommended by the appliance manufacturer may result in fire, electric shock, or personal injury.
- Do not use outdoors.
- Do not let cord hang over edge of table or counter, or touch hot surfaces.
- Do not place on or near a hot gas or electric burner, or in a heated oven.
- Always switch the appliance off, then plug cord into the wall outlet. To disconnect, turn the appliance off, then remove plug from wall outlet.
- Do not use appliance for other than intended household use.
- Use extreme caution when using hot steam.

SAVE THESE INSTRUCTIONS

State of California Proposition 65 Warnings:

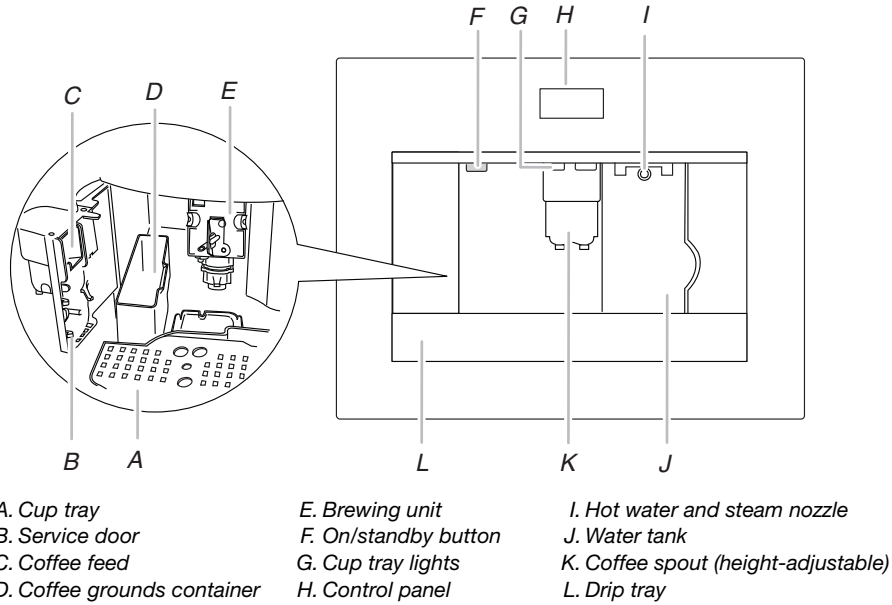
WARNING: This product contains one or more chemicals known to the State of California to cause cancer.

WARNING: This product contains one or more chemicals known to the State of California to cause birth defects or other reproductive harm.

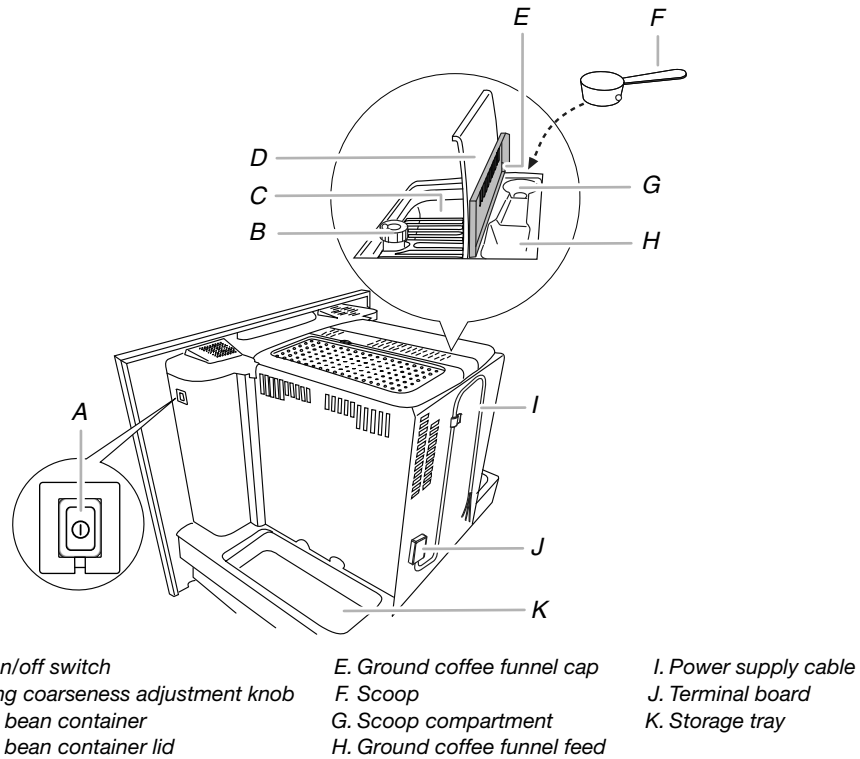
PARTS AND FEATURES

This manual covers several models. The coffee system you have purchased may have some or all of the items listed. The locations and appearances of the features shown here may not match those of your model.

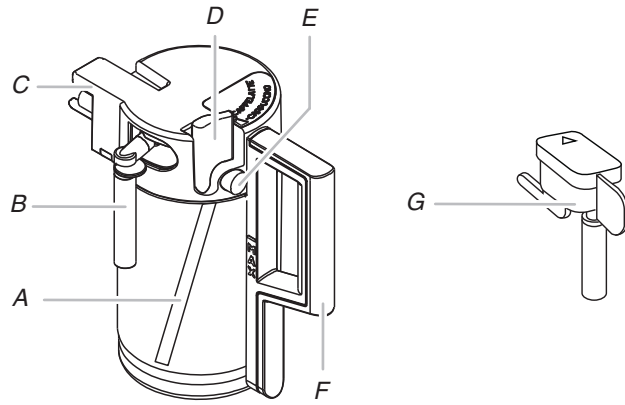
Front View:



Rear View:



Milk and Accessories Container:



- A. Milk intake tube
- B. Frothed milk spout
- C. Milk frother
- D. Milk frother pointer
- E. Clean button
- F. Milk container handle
- G. Hot water spout

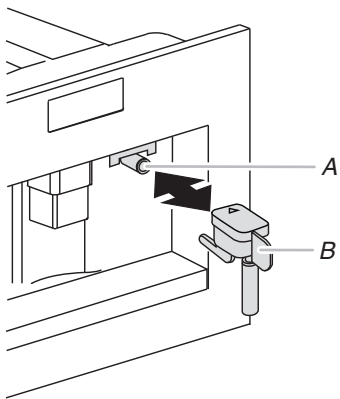
BEFORE USING THE COFFEE SYSTEM

Coffee has been used to factory test the machine. It is completely normal for there to be traces of coffee in the mill.

Customize water hardness as soon as possible. See “Water Hardness” in the “Settings” section.

IMPORTANT: Complete the following steps before the coffee system is used for the first time.

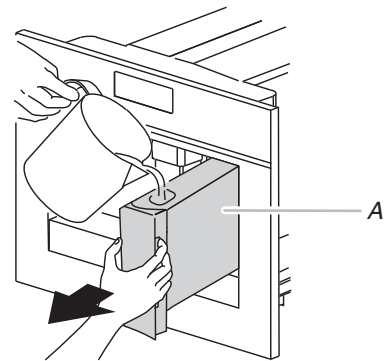
1. Check that the hot water spout is installed. If it is not, insert the hot water spout into the hot water and steam nozzle.



A. Hot water and steam nozzle
B. Hot water spout

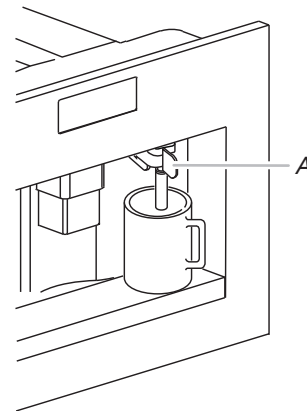
2. Turn on the coffee system.
3. The available languages will scroll automatically. Wait until “Press OK to install ENGLISH” is displayed. Press and hold OK.

4. After 5 seconds, “FILL TANK!” will be displayed. Remove the water tank, rinse and fill to the MAX line with fresh water. Replace the water tank.



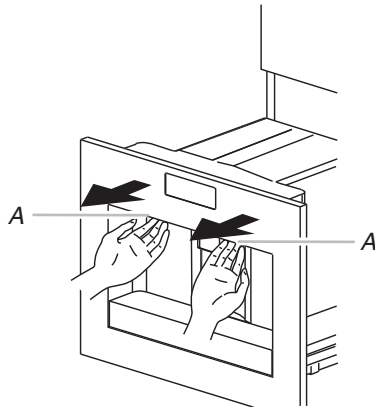
A. Water tank

5. “HOT WATER Press OK” will be displayed. Place a cup underneath the hot water spout. Press OK. After a few seconds, hot water will be dispensed.



A. Hot water spout

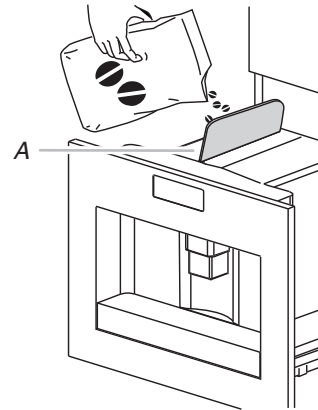
- “TURNING OFF Please wait...” will be displayed. The coffee system will turn off.
- Slide the coffee system forward using the handles as shown in the following illustration.



A. Handles

- Open the coffee bean container lid, fill the coffee bean container with coffee beans and close the lid.

IMPORTANT: Do not place ground coffee, freeze-dried coffee, caramelized coffee or foreign objects into the coffee bean container, as they could damage the machine.



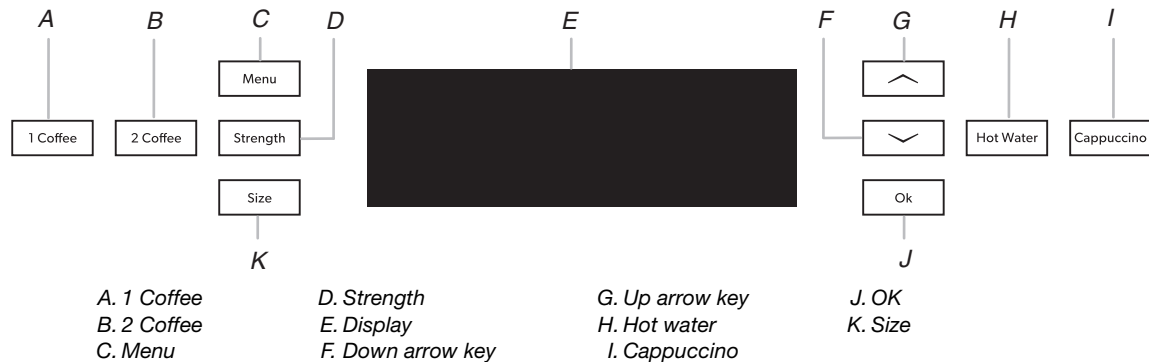
A. Coffee bean container

- Push the coffee system back into the housing. It is now ready for normal use.

NOTE: When first using the coffee system, you need to make 4-5 cups of coffee and 4-5 cappuccinos before the coffee system gives good results.

NOTE: Each time the machine is turned on using the main On/Off switch, it runs a self-diagnosis function and then goes into standby mode. To turn the machine on again, press the On/Standby button to the left of the coffee spout. See the illustration in the “Parts and Features” section.

COFFEE SYSTEM USE



Settings

You can control several settings through the Settings Menu: Rinsing, Beep, Statistics, Default Values, Water Hardness, Auto-Off, Coffee Temperature, Descaling, Auto-Start, Language and Adjust Time.

To access the Settings Menu, press MENU. To exit the Settings Menu, press MENU again.

Rinsing

This function is used to rinse the coffee spout or preheat the brewing unit if more than 2 minutes have passed since the machine was last preheated. Hot water from the rinse cycle can be used to preheat a small cup of coffee.

- Press MENU.
- Press the up and down arrow keys until “RINSING” is displayed. Press OK.
- “OK to confirm” will be displayed. Press OK.
- “Please wait...” and a progress bar will be displayed. 1 oz (30 mL) of hot water will run into the drip tray.

NOTE: If desired, you can place a small cup beneath the coffee spout. The hot water will warm the cup. Empty the hot water before using the cup for coffee.

Beep

The coffee system is factory-set with tones enabled, but they can be disabled.

- Press MENU.
- Press the up and down arrow keys until “BEEP Enabled” is displayed. Press OK.
- “BEEP Disable?” will be displayed. Press OK to deactivate the tones.
- Press MENU to exit the menu.

To reactivate the tones, repeat steps 1-4.

Statistics

This function allows you to view the machine statistics.

- Press MENU.
- Press the up and down arrow keys until “STATISTICS” is displayed. Press OK.

- Press the up and down arrow keys to see:
 - Total cups of coffee made
 - Total liters of water used
 - Total number of descalings
 - Total cups of cappuccinos made
- Press MENU once to exit the Statistics menu. Press MENU again to exit the main menu.

Default Values

This function will restore all settings to the factory-set defaults.

- Press MENU.
- Press the up and down arrow keys until "DEFAULT VALUES" is displayed. Press OK.
- "OK to confirm" will be displayed. Press OK.
- "Restore" will be displayed for a few seconds. All settings will be reset to default.
- Press MENU to exit the menu.

Water Hardness

It is important to set the correct water hardness for proper descaling.

- Remove the "Total hardness test" water hardness strip (found in the bag containing literature) from its packaging.
- Immerse the strip fully in a cup of water for a few seconds.
- Remove the strip and wait approximately 30 seconds until it changes color and red squares appear on the strip.
- Press MENU.
- Press the up and down arrow keys until "WATER HARDNESS" is displayed. Press OK.
- Press the up and down arrow keys to select the number of dots corresponding to the number of red squares that have formed on the test strip. For example, if the test strip shows 3 red squares, select ●●●○.
- Press OK.

Auto-Off

The coffee system is factory-set to go into standby mode automatically after 30 minutes of inactivity.

- Press MENU.
- Press the up and down arrow keys until "AUTO-OFF" is displayed. Press OK.
- Press the up and down arrow keys until the desired period of time before the coffee system goes into standby mode is selected: 30 minutes, 1 hour or 2 hours.
- Press OK.
- Press MENU to exit the menu.

Coffee Temperature

The temperature of the brewed coffee can be changed.

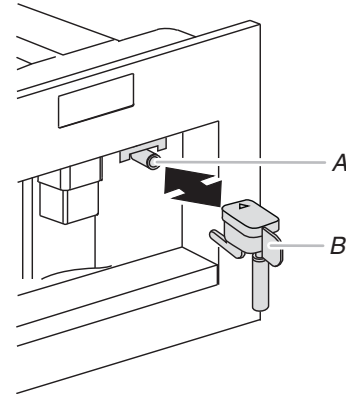
- Press MENU.
- Press the up and down arrow keys until "COFFEE TEMPERATURE" is displayed. Press OK.
- Press the up and down arrow keys until the desired coffee temperature is selected: low, medium or high.
- Press OK to confirm the temperature chosen.
- Press MENU to exit the menu.

Descaling

If "DESCALE!" is displayed, the coffee system needs to be descaled.

NOTE: Failure to descale the machine regularly can result in decreased product performance and may result in product damage.

- When the machine is ready for use, attach the hot water spout to the hot water and steam nozzle.

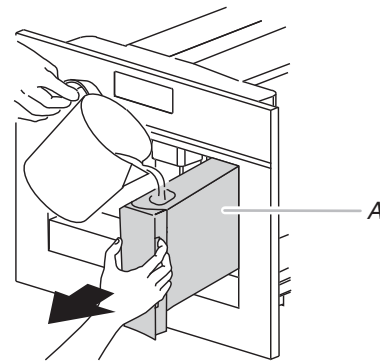


A. Hot water and steam nozzle
B. Hot water spout

- Press MENU.
- Press the up and down arrow keys until "DESCALING" is displayed. Press OK.
- "DESCALING OK to confirm" will be displayed. Press OK.
- "Add Descaler Press OK" will be displayed. Remove the water tank and empty the contents. In the water tank, pour in the contents of a packaged descaler and water, following the manufacturer's instructions.

IMPORTANT: Do not use vinegar to descale the coffee system. Use a packaged descaling agent. When using a descaling agent, follow the directions on the package for the recommended amounts of descaling agent and water.

Replace the water tank.



A. Water tank

- Place a 2 qt (2 L) or larger container underneath the hot water spout.
- Press OK. "DESCALING UNDERWAY" will be displayed and the descaling solution will be dispensed.
- The descaling program will automatically alternate between runoffs and pauses.
- "RINSING FILL TANK!" will be displayed. Empty the descaling runoff and replace the container.
- Remove the water tank and empty the contents. Rinse the water tank thoroughly to remove all traces of descaler. Add 3 cups (710 mL) water to the water tank.
- Replace the water tank. "RINSING Press OK" will be displayed. Press OK.

12. "RINSING" will be displayed. Hot water will be dispensed.
13. "RINSING COMPLETE Press OK" will be displayed. Press OK.
14. "FILL TANK!" will be displayed. Remove the water tank, fill it with clean water and replace the tank.
The descaling program is complete, and the machine is ready to prepare coffee.

NOTE: If the descaling cycle is interrupted before it has been completed, it will need to be restarted from the beginning.

Auto Start

The coffee system can be set to switch on automatically at a preset time.

NOTE: The internal clock must be set before activating Auto Start. See "Setting the Clock" in this section.

To Activate Auto Start:

1. Press MENU.
2. Press the up and down arrow keys until "AUTO-START Disabled" is displayed. Press OK.
3. "AUTO-START Enable?" will be displayed. Press OK.
4. "AUTO-START 07:30" will be displayed. Press the up and down arrow keys until the desired hour is displayed. Press OK.
5. Press the up and down arrow keys until the desired minute is displayed. Press OK.
6. Press OK. The display will show "AUTO-START Enabled."
7. Press MENU to exit the menu.

To Change Auto Start while Enabled:

1. Press MENU.
2. Press the up and down arrow keys until "AUTO-START Enabled" is displayed. Press OK.
3. Press the up and down arrow keys until "ADJUST TIME" is displayed. Press OK.
4. "AUTO-START XX:XX" will be displayed. Press the up and down arrow keys until the desired hour is displayed. Press OK.
5. Press the up and down arrow keys until the desired minute is displayed. Press OK.
6. Press OK. The display will show "AUTO-START Enabled."
7. Press MENU to exit the menu.

To Deactivate Auto Start:

1. Press MENU.
2. Press the up and down arrow keys until "AUTO-START Enabled" is displayed. Press OK.
3. "AUTO-START Disable?" will be displayed. Press OK. The display will show "AUTO-START Disabled."
4. Press MENU to exit the menu.

Language

The coffee system language can be changed.

1. Press MENU.
2. Press the up and down arrow keys until "LANGUAGE" is displayed. Press OK.
3. Press the up and down arrow keys until the correct language is displayed.
4. Press OK.
5. Press MENU to exit the menu.

Setting the Clock

The coffee system has an internal 24-hour clock.

1. Press MENU.
2. Press the up and down arrow keys until "ADJUST TIME" is displayed. Press OK.
3. Press the up and down arrow keys until the correct hour is displayed. Press OK.
4. Press the up and down arrow keys until the correct minute is displayed. Press OK.
5. Press MENU to exit the menu.

Switching On and Preheating

Every time the coffee system is switched on, it will perform an automatic preheat and rinse cycle that cannot be interrupted. The coffee system is ready for use after this cycle is complete.

To switch the coffee system on, press the On/Standby button once. "HEATING UP Please wait..." will be displayed. There may be some hot water runoff through the coffee spout.

When "MEDIUM CUP Standard taste" is displayed, the coffee system is ready for use.

To preheat the coffee system again, see "Rinsing" in the "Settings" section.

Making Coffee or Espresso Using Coffee Beans

The coffee system is factory-set to make a standard-strength medium cup of coffee. The strength of the coffee can be changed by pressing Strength until the desired strength is displayed: extra-mild, mild, standard, strong, extra-strong or ground.

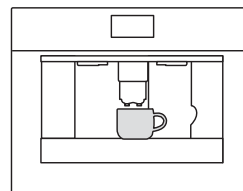
NOTE: Do not use ground coffee unless the ground coffee option is selected.

To change the amount of coffee dispensed for each cup size, see the "Changing the Amount of Coffee" section.

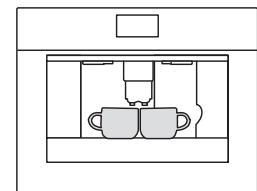
If the display shows "FILL TANK!" the water tank must be filled. The water tank may still contain some water; this is normal.

To Make Coffee:

1. Make sure there are coffee beans in the coffee bean container.
2. Place 1 or 2 cups under the coffee spouts as shown in the following illustration.

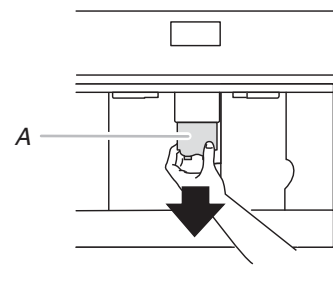


One cup



Two cups

For a creamier coffee, lower the coffee spout as near as possible to the cups.



A. Coffee spout

3. Press SIZE to select the size of the coffee cup: espresso, small cup, medium cup, large cup or mug.
4. Press 1 COFFEE to make 1 cup of coffee or 2 COFFEE to make 2 cups of coffee.
5. The coffee system will grind the coffee beans and dispense the coffee. After the preset quantity of coffee has been dispensed, the coffee system will automatically stop and empty the coffee grounds into the grounds container.

NOTE: The coffee system can be interrupted at any time by pressing the 1 Coffee or 2 Coffee button again.
6. After a few seconds, the coffee system will be ready for use again.
7. To switch off the coffee system, press the On/Standby button. The coffee system will run an automatic rinse cycle and then go into standby mode.

If the coffee runoff is too slow or incomplete, or if the runoff is too quick and the coffee is not creamy enough, see the “Adjusting the Coffee Grinder” section.

Do not remove the water tank during the coffee runoff. If the water tank is removed, the coffee system cannot make coffee and will display “FILL TANK!” Check the water level in the tank and replace it. To restart the coffee system, press OK. “HOT WATER Press OK” will be displayed. Press OK. Water will run off from the spout for approximately 30 seconds. After the runoff completes, the coffee system will return to the programmed standard settings.

The coffee system may require you to repeat the operation several times to eliminate any air in the water line.

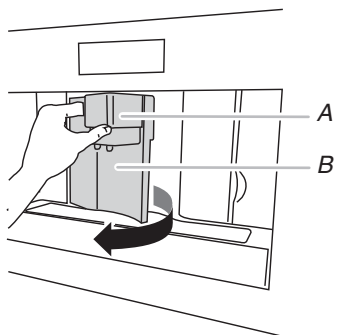
Tips for Hotter Coffee:

- Run a Rinse cycle before brewing coffee. See “Rinsing” in the “Settings” section.
- Do not use very thick cups as they will absorb the heat unless preheated.
- Preheat all cups by rinsing them with hot water. See “Rinsing” in the “Settings” section.

To Clean:

After every 14 cups of coffee made, the drip tray needs to be cleaned and the coffee grounds container emptied.

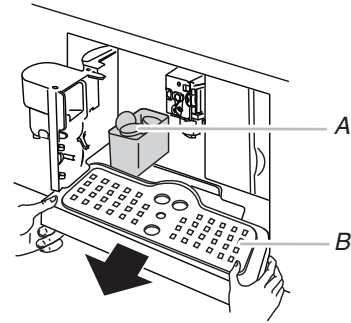
1. Open the service door on the front by pulling the coffee spout.



A. Coffee spout
B. Service door

2. Remove the drip tray and clean it.

NOTE: When cleaning the coffee system, always fully remove the drip tray.



A. Coffee grounds container
B. Drip tray

3. Empty the coffee grounds container and replace it.

NOTE: Every time the drip tray is removed, the coffee grounds container must be emptied. Failure to do so may clog the coffee system.

4. Replace the drip tray and close the service door.

Changing the Amount of Coffee

The coffee system is factory-set to automatically deliver approximately the following amounts of coffee:

- Espresso: 1 oz (30 mL)
- Small cup: 1½ oz (45 mL)
- Medium cup: 2 oz (60 mL)
- Large cup: 3 oz (90 mL)
- Mug: 4 oz (120 mL)

These settings can be adjusted up to 6 oz (180 mL).

NOTE: The 2 Coffee button can be used to dispense twice as much coffee as the 1 Coffee button even with custom settings. If you wish to return to the original settings, see “Default Values” in the “Settings” section.

1. Press SIZE until the display shows the desired coffee size.
2. Place your cup beneath the coffee spout. Press and hold 1 COFFEE until “PROGRAM QUANTITY” is displayed.

NOTE: The coffee system will begin dispensing coffee before “PROGRAM QUANTITY” is displayed.

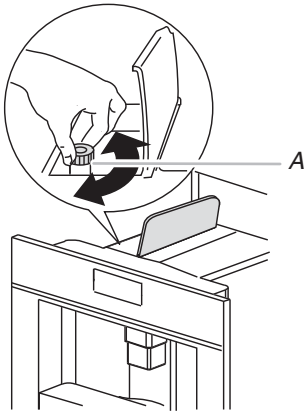
3. Press 1 COFFEE again to stop the runoff and save the desired amount of coffee for the size.

The machine is now reprogrammed and ready for use.

Adjusting the Coffee Grinder

The coffee grinder is factory-set and does not require adjustment. If coffee runoff is too fast or too slow, the grinding coarseness can be adjusted.

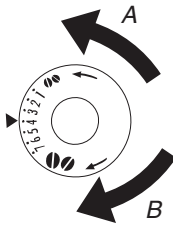
NOTE: The grinding coarseness adjustment knob can be turned only while the grinder is in operation.



A. Grinding coarseness adjustment knob

For slower runoff and creamier coffee, turn the knob 1 click counterclockwise (finer ground coffee).

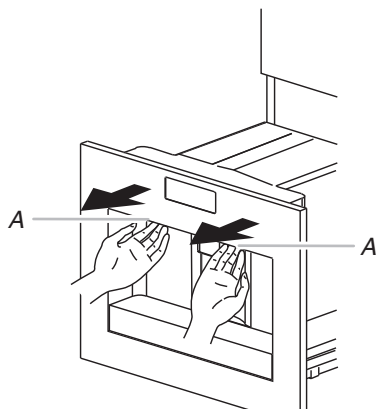
For faster runoff, turn the knob 1 click clockwise (coarser ground coffee).



A. Counterclockwise for finer grind
B. Clockwise for coarser grind

Making Espresso with Ground Coffee

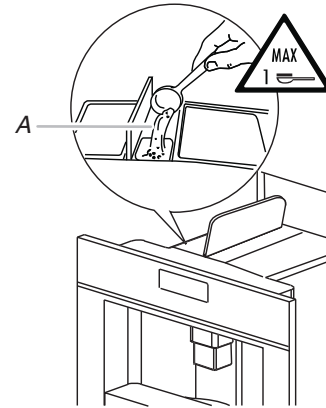
1. Press STRENGTH repeatedly until "Ground" is selected.
2. Slide the coffee system forward using the handles as shown in the following illustration.



A. Handles

3. Lift the small central lid, pour one scoop of ground coffee into the funnel.

NOTE: Only use ground coffee meant for espresso coffee machines.



A. Center funnel

NOTE: Use only the scoop provided. Do not add more than one scoop of ground coffee.

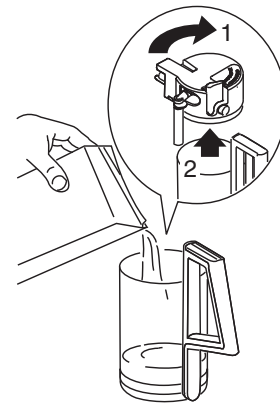
4. Close the central lid. Push the coffee system back into the housing and continue with Step 2 in the "Making Coffee or Espresso Using Coffee Beans" section.

NOTE: Only one cup of coffee can be made at a time with ground coffee. Do not use 2 COFFEE.

To deactivate the ground coffee function, press STRENGTH again.

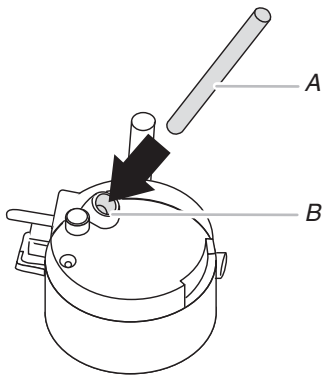
Making Cappuccino

1. Press STRENGTH until the desired strength is selected.
2. Twist the milk container lid clockwise and lift up to remove it.



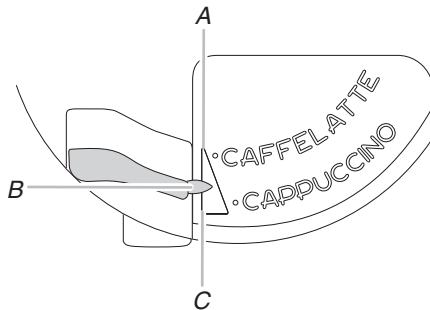
3. Fill the container with approximately ½ cup (100 mL) of milk for each cappuccino you want to make. Do not fill above the MAX line on the milk container. For best results, use cold skim or 2% milk.

4. Make sure the milk intake tube is properly inserted into the rubber washer, then replace the milk container lid.



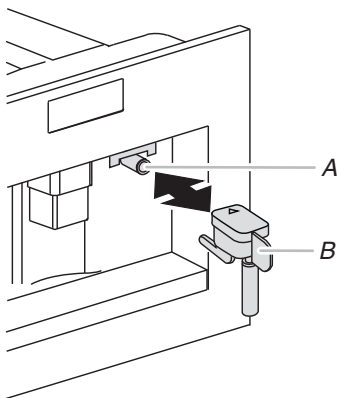
A. Milk intake tube
B. Rubber washer

5. Position the milk frother pointer on the milk container lid between the words “Cappuccino” and “Caffelatte.” Move the pointer toward “Caffelatte” for a lighter froth and toward “Cappuccino” for a thicker froth.

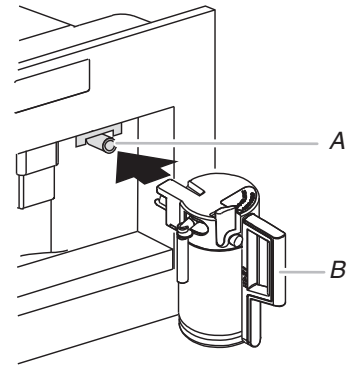


A. Lighter froth
B. Milk frother pointer
C. Thicker froth

6. Remove the hot water spout and attach the milk container to the hot water and steam nozzle.

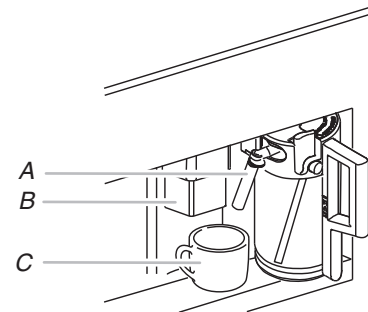


A. Hot water and steam nozzle
B. Hot water spout



A. Hot water and steam nozzle
B. Milk container

7. Place a cup under the coffee spout, and lift the milk spout over it as shown in the following illustration.



A. Milk spout
B. Coffee spouts
C. Cup

8. Press CAPPUCCINO. “CAPPUCCINO” will be displayed. After a few seconds, frothed milk will run out of the milk spout and fill the cup below. After the milk runoff stops, coffee runoff will begin automatically.

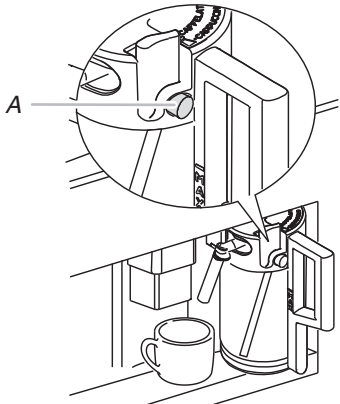
NOTE: Press CAPPUCCINO at any time to stop the cappuccino process.

9. When the coffee runoff stops, the cappuccino is ready. Add sugar and powdered cocoa to taste.

If the coffee system runs out of milk during the milk runoff, release the milk container and add more milk. Reattach the milk container and press CAPPUCCINO to prepare more cappuccino. After making cappuccino, always clean the internal tubes of the milk container lid and the hot water and steam nozzle.

To Clean Milk Frother:

1. "PRESS CLEAN BUTTON" will be displayed.
2. Place a container under the milk spout.
3. Press and hold CLEAN on the milk container lid for at least 8 seconds.

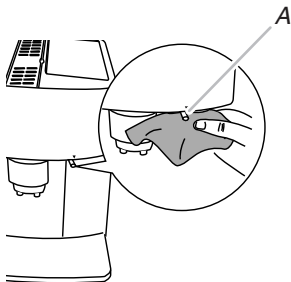


A. Clean button

4. "CLEANING" and a progress bar will be displayed. Do not release CLEAN until the progress bar is complete and cleaning has ended. The Clean cycle will stop when the Clean button is released.
5. After cleaning, remove the milk container. Push the spout down against the container and place it in the refrigerator. Do not leave milk out of the refrigerator for more than 15 minutes.

To Clean Hot Water and Steam Nozzle:

Use a damp sponge or cloth to clean the hot water and steam nozzle after each use.



A. Hot water and steam nozzle

To Change the Amount of Milk and Coffee:

The coffee system is factory-set to automatically deliver a 1 cup (225 mL) cappuccino. The amount of milk and coffee used can be custom-set.

1. Fill the milk container with milk to the MAX level.
2. Place a cup under the coffee and milk spouts.
3. Press and hold the Cappuccino button until "PROGRAM QUANTITY Milk for Cappuccino" is displayed. The coffee system will dispense milk.
4. Press the Cappuccino button again to stop the milk runoff and save the desired amount of milk for the default setting.
5. After a few seconds, the coffee system will begin dispensing coffee. "PROGRAM QUANTITY Coffee for Cappucc." will be displayed.
6. Press the Cappuccino button again to stop the coffee runoff and save the desired amount of coffee for the default setting.

Dispensing Hot Water

The coffee system can dispense hot water without brewing coffee. Make sure the hot water spout is attached to the hot water and steam nozzle and that the coffee system is ready for use.

1. Place a container under the hot water spout.
2. Press HOT WATER.
3. "HOT WATER Press OK" will be displayed. Press OK.
4. "HOT WATER" will be displayed, and hot water will run out of the spout.

NOTE: Do not run hot water for more than 2 minutes at a time.

5. To stop the hot water, press HOT WATER again. The hot water runoff will stop automatically when the preset amount of water has been dispensed.

NOTE: The coffee system is factory-set to automatically deliver approximately 1 cup (250 mL) of hot water.

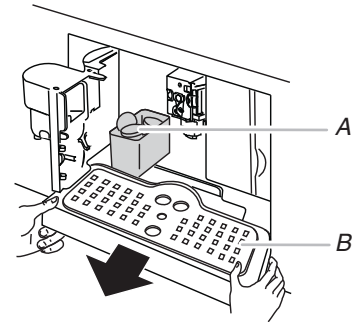
COFFEE SYSTEM CARE

General Cleaning

To avoid damage to the coffee system, do not use solvents or abrasive detergents to clean the coffee system. Use a soft damp cloth to clean the exterior of the coffee system. Clean all machine parts regularly.

IMPORTANT: Before any cleaning, turn the coffee system off using the main On/Off switch and unplug it.

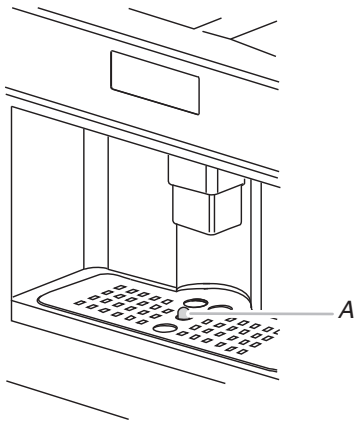
IMPORTANT: Do not immerse the coffee system in water.



A. Coffee grounds container
B. Drip tray

Cleaning the Drip Tray and Coffee Grounds Container

The drip tray has a red float as a water level indicator. Empty and clean the drip tray before the red float protrudes from the cup tray.

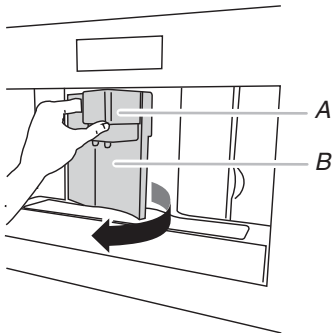


A. Float

NOTE: If the drip tray is not emptied, the water can overflow. This can damage the machine.

Empty and clean the coffee grounds container regularly.

1. Open the service door on the front of the coffee system by pulling on the coffee spout.



A. Coffee spout
B. Service door

2. Remove the drip tray and clean it with a soft damp cloth.

NOTE: When removing the drip tray, the coffee grounds container must be emptied.

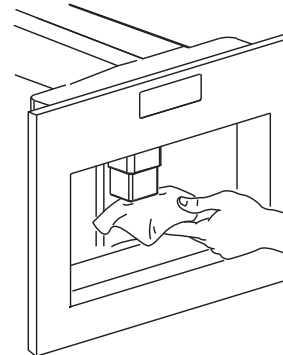
3. Remove the coffee grounds container and empty it.
4. Clean the coffee grounds container with a soft damp cloth before replacing it.
5. Replace the drip tray.
6. Close the service door.

Cleaning the Water Tank

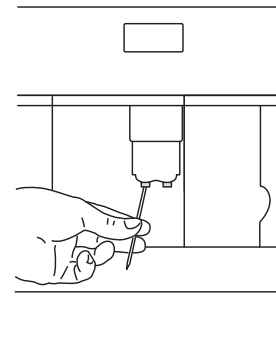
Clean the water tank approximately every month with a damp cloth and mild detergent. Remove all traces of detergent before using the coffee system.

Cleaning the Coffee Spouts

Clean the spouts regularly using a damp sponge or cloth.



Regularly check that the holes in the coffee spouts are not blocked. If they are, remove coffee deposits with a toothpick as shown.



Cleaning the Ground Coffee Feed Funnel

Check approximately once a month that the feed funnel for ground coffee is not blocked.

Cleaning the Inside

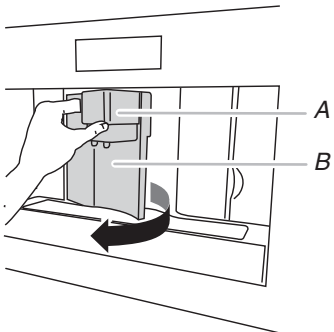
Check the inside of the coffee system approximately once a week for dirt and debris. If necessary, remove coffee deposits with a damp sponge or cloth.

Cleaning the Brewing Unit

Clean the brewing unit every month.

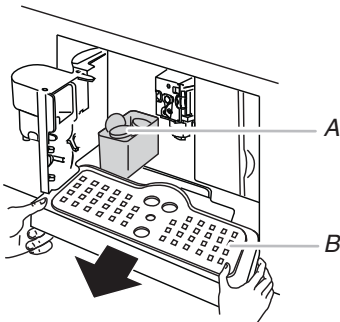
IMPORTANT: The brewing unit cannot be removed while the coffee system is switched on. Do not attempt to use force to remove the brewing unit.

1. Make sure the coffee system is properly switched off. See the "Switching Off the Coffee System" section.
2. Open the service door on the front of the coffee system by pulling on the hot water and steam spout.



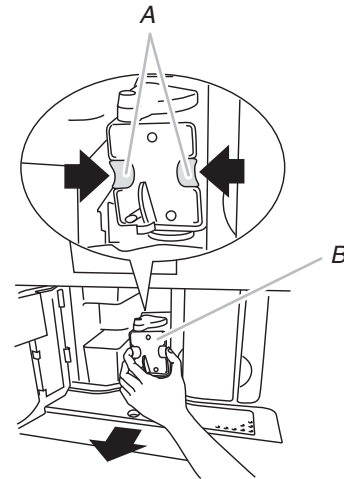
A. Hot water and steam spout
B. Service door

3. Remove the drip tray and the coffee grounds container.



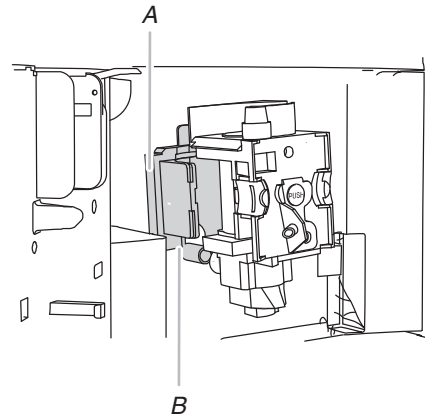
A. Coffee grounds container
B. Drip tray

4. Press the two red release buttons inward and pull the brewing unit out.



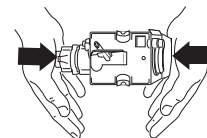
A. Red release buttons
B. Brewing unit

5. Soak the brewing unit in water for about 5 minutes, then rinse.
NOTE: Do not use any detergent to clean the brewing unit. The inside of the piston is treated with lubricant that detergent would remove.
6. After cleaning, reinsert the brewing unit so that the support and the pin at the bottom are fully engaged. Push the PUSH symbol until it clicks into place and the two red release buttons have clicked out.



A. Support
B. Pin

NOTE: If you are having difficulty replacing the brewing unit, compress the moving parts from both the top and bottom as shown in the following illustration before reinserting it.



7. Replace the drip tray and coffee grounds container.
8. Close the service door.

Cleaning the Milk Container

All of the milk container components can be washed in the top rack of a dishwasher.

1. Turn the milk container lid clockwise and remove it.
2. Remove the milk spout and intake tube.
3. Remove the pointer by pulling it outward.
4. Wash all the components thoroughly with hot water and mild detergent. Make sure there is no milk residue left inside the holes or the groove on the fine end of the pointer.
5. Check that the intake tube and spout are not clogged with milk residue.
6. Replace the pointer, milk spout, and intake tube.
7. Replace the milk container lid.

Vacation or Storage

If the coffee system will be unused for an extended period of time, empty the coffee grounds container, drip tray and water tank. Turn the coffee system off using the main On/Off switch and unplug it before storage.

Switching Off the Coffee System

Each time the coffee system is put into standby mode, it performs an automatic rinse that cannot be interrupted.

To turn off the coffee system, press the On/Standby button on the front of the coffee system. "TURNING OFF Please wait..." will display, and hot water will run off from the coffee spout.

The coffee system will automatically go into standby mode after 30 minutes. To change this duration, see "Auto-Off" in the "Settings" section.

NOTE: If the coffee system will not be used for an extended period of time, press the main On/Off button on the side of the machine. Auto-Set will not work when the machine is turned off by the main On/Off button.

TROUBLESHOOTING

Try the solutions suggested here first in order to avoid the cost of an unnecessary service call.

Problem	Possible Cause	Remedy
The coffee is not hot	The cups have not been preheated.	Heat the cups by rinsing them with hot water.
	The brewing unit has cooled down because 2-3 minutes have elapsed since the last coffee was made.	Before making coffee, heat the brewing unit by selecting the Rinse function from the menu.
	The set temperature is not high enough.	Change the set temperature. See "Coffee Temperature" in the "Settings" section.
The coffee is not creamy enough.	The coffee is ground too coarsely.	Turn the grinding coarseness adjustment knob one click counterclockwise toward the number 1 while the coffee mill is in operation. See the "Adjusting the Coffee Grinder" section.
	The blend of coffee is unsuitable.	Use a blend of coffee specifically for espresso coffee machines.
The coffee runs out too slowly or in drips.	The coffee is ground too finely.	Turn the grinding coarseness adjustment knob one click clockwise toward the number 7 while the coffee mill is in operation. Continue one click at a time until coffee runoff is satisfactory. Results are only visible after making 2 cups of coffee. See the "Adjusting the Coffee Grinder" section.
The coffee runs out too quickly.	The coffee is ground too coarsely.	Turn the grinding coarseness adjustment knob one click counterclockwise toward the number 1 while the coffee mill is in operation. Results are visible only after making 2 cups of coffee. See the "Adjusting the Coffee Grinder" section.
The coffee does not run out of one or both of the spouts.	The spouts are blocked.	Clean the spouts with a toothpick.
The coffee comes out around the service door instead of from the spouts.	The holes in the spouts are clogged with dry coffee powder.	Clean the spouts with a toothpick, a sponge, or a hard-bristled kitchen brush.
	The coffee feed inside the service door is blocked.	Clean the coffee feed thoroughly, especially around the hinges.
Water comes out of the spouts instead of coffee.	Ground coffee is blocking the funnel.	Clean the funnel with a wooden or plastic fork and clean the inside of the machine.
The milk does not come out of the milk spout.	The intake tube is not inserted or is inserted incorrectly.	Insert the intake tube in the rubber washer in the milk container lid.
The milk is not well-frothed.	The milk container lid is dirty.	Clean the milk container lid as described in "To Clean Milk Frother" in the "Making Cappuccino" section.
	The milk pointer is incorrectly positioned.	Adjust the pointer as described in the "Making Cappuccino" section.
The milk contains large bubbles or spurts out of the milk spout.	The milk is not cold enough or is not 2%.	For best results, use cold skim or 2% milk. If results are still not satisfactory, try changing brand of milk.
	The milk frother pointer is incorrectly adjusted.	Move the pointer slightly toward the word "Caffelatte." See the "Making Cappuccino" section.
	The milk container lid is dirty.	Clean the milk container lid as described in "To Clean Milk Frother" in the "Making Cappuccino" section.

Display Messages

Displayed Message	Possible Cause	Remedy
ADD GROUND COFFEE	The "ground coffee" function has been selected without placing any ground coffee in the funnel.	Slide the coffee system out. Using the funnel, add ground coffee.
CLOSE DOOR!	The service door is open.	Close the service door.
DESCALE! (alternating with) MEDIUM CUP Standard taste	Indicates that descaling is needed.	The descaling program must be run as soon as possible. Follow the instructions in "Descaling" in the "Settings" section.
FILL BEANS CONTAINER!	The coffee beans have run out.	Fill the beans container.
FILL TANK!	The water tank is empty or incorrectly positioned.	Fill the tank with water and/or insert it correctly, pushing it in as far as it will go.
GENERAL ALARM	The inside of the coffee system is very dirty.	Clean the inside of the coffee system thoroughly, as described in "Cleaning the Inside" in the "General Cleaning" section. If the message is still displayed after cleaning, contact a service center.
GROUND TOO FINE ADJUST MILL INSERT WATER SPOUT Press OK	The ground is too fine so the coffee runs off too slowly.	Turn the grinding adjustment knob one click toward number 7.
GROUND TOO FINE ADJUST MILL (alternating with) Press OK (and then) FILL TANK!	The water tank was removed during coffee runoff. There is air in the water line.	Replace the tank and press OK. The display will show "HOT WATER" and will dispense hot water. Then it is ready for use.
INSERT BREWING UNIT	The brewing unit has not been replaced after cleaning.	Insert the brewing unit as described in the "Cleaning the Brewing Unit" section.
INSERT MILK CONTAINER!	The milk container is missing or incorrectly positioned.	Insert the milk container correctly, pushing it in as far as it will go.
INSERT GROUNDS CONTAINER	After cleaning, the grounds container has not been replaced.	Open the service door and insert the grounds container.

ASSISTANCE OR SERVICE

Before calling for assistance or service, please check "Troubleshooting." It may save you the cost of a service call. If you still need help, follow the instructions below.

When calling, please know the purchase date and the complete model and serial number of your appliance. This information will help us to better respond to your request.

If you need replacement parts

If you need to order replacement parts, we recommend that you use only factory specified parts. These factory specified parts will fit right and work right because they are made with the same precision used to build every new JENN-AIR™ appliance.

To locate factory specified parts in your area, call us or your nearest JENN-AIR™ designated service center.

In the U.S.A.

Call the Jenn-Air Customer eXperience Center toll free:
1-800-JENNAIR (1-800-536-6247)

Our consultants provide assistance with:

- Features and specification on our full line of appliances.
- Installation information.
- Use and maintenance procedures.
- Repair parts sales.
- Specialized customer assistance (Spanish speaking, hearing impaired, limited vision, etc.).
- Referrals to local dealers, repair parts distributors and service companies. Jenn-Air designated service technicians are trained to fulfill the product warranty and provide after-warranty service, anywhere in the United States.

To locate the Jenn-Air designated service company in your area, you can also look in your telephone directory Yellow Pages.

For further assistance:

If you need further assistance, you can write to Jenn-Air with any questions or concerns at:

Jenn-Air Brand Home Appliances
Customer eXperience Center
553 Benson Road
Benton Harbor, MI 49022-2692

Web address: **www.jennair.com**

Please include a daytime phone number in your correspondence.

In Canada

Call the Jenn-Air Customer eXperience Centre toll free:
1-800-JENNAIR (1-800-536-6247)

Our consultants provide assistance with:

- Use and maintenance procedures.
- Repair parts sales.
- Referrals to local dealers, repair parts distributors and service companies. Jenn-Air designated service technicians are trained to fulfill the product warranty and provide after-warranty service, anywhere in Canada.

For further assistance:

If you need further assistance, you can write to:

Jenn-Air Brand Home Appliances
Customer eXperience Centre
200 - 6750 Century Ave.
Mississauga, Ontario L5N 0B7

Web address: **www.jennair.ca**

Please include a daytime phone number in your correspondence.

JENN-AIR™ MAJOR APPLIANCE WARRANTY

ONE YEAR LIMITED WARRANTY

For one year from the date of purchase, when this major appliance is installed, operated and maintained according to instructions attached to or furnished with the product, Jenn-Air brand of Whirlpool Corporation or Whirlpool Canada LP (hereafter “Jenn-Air”) will pay for factory specified replacement parts and repair labor to correct defects in materials or workmanship that existed when this major appliance was purchased. In the event of product replacement, your appliance will be warranted for the remaining term of the original unit’s warranty period.

YOUR SOLE AND EXCLUSIVE REMEDY UNDER THIS LIMITED WARRANTY SHALL BE PRODUCT REPAIR AS PROVIDED HEREIN. Service must be provided by a Jenn-Air designated service company. This limited warranty is valid only in the United States or Canada and applies only when the major appliance is used in the country in which it was purchased. Outside the 50 United States and Canada, this limited warranty does not apply. This limited warranty is effective from the date of original consumer purchase. Proof of original purchase date is required to obtain service under this limited warranty.

ITEMS EXCLUDED FROM WARRANTY

This limited warranty does not cover:

1. Service calls to correct the installation of your major appliance, to instruct you on how to use your major appliance, to replace or repair house fuses, or to correct house wiring or plumbing.
2. Service calls to repair or replace appliance light bulbs, air filters or water filters. Consumable parts are excluded from warranty coverage.
3. Replacement parts or repair labor if this major appliance is used for other than normal, single-family household use or when it is used in a manner that is contrary to published user or operator instructions and/or installation instructions.
4. Damage resulting from accident, alteration, misuse, abuse, fire, flood, acts of God, improper installation, installation not in accordance with electrical or plumbing codes, or use of products including but not limited to consumables or cleaning products not approved by Jenn-Air.
5. Cosmetic damage, including scratches, dents, chips or other damage to the finish of your major appliance, unless such damage results from defects in materials or workmanship and is reported to Jenn-Air within 30 days from the date of purchase.
6. Any food loss due to refrigerator or freezer product failures.
7. Costs associated with the removal from your home of your major appliance for repairs. This major appliance is designed to be repaired in the home and only in-home service is covered by this warranty.
8. Repairs to parts or systems resulting from unauthorized modifications made to the appliance.
9. Expenses for travel and transportation for product service if your major appliance is located in a remote area where service by an authorized Jenn-Air servicer is not available.
10. The removal and reinstallation of your major appliance if it is installed in an inaccessible location or is not installed in accordance with published installation instructions.
11. Replacement parts or repair labor for major appliances with original model/serial numbers that have been removed, altered or cannot be easily determined. This warranty is void if the factory applied serial number has been altered or removed from your major appliance.
12. Removal or replacement of trim, decorative panels, flooring, cabinetry, islands, countertops, drywall or other built-in fixtures that interfere with servicing, removal or replacement of the product.

The cost of repair or replacement under these excluded circumstances shall be borne by the customer.

DISCLAIMER OF IMPLIED WARRANTIES

IMPLIED WARRANTIES, INCLUDING ANY IMPLIED WARRANTY OF MERCHANTABILITY OR IMPLIED WARRANTY OF FITNESS FOR A PARTICULAR PURPOSE, ARE LIMITED TO ONE YEAR OR THE SHORTEST PERIOD ALLOWED BY LAW. Some states and provinces do not allow limitations on the duration of implied warranties of merchantability or fitness, so this limitation may not apply to you. This warranty gives you specific legal rights, and you also may have other rights that vary from state to state or province to province.

DISCLAIMER OF REPRESENTATIONS OUTSIDE OF WARRANTY

Jenn-Air makes no representations about the quality, durability, or need for service or repair of this major appliance other than the representations contained in this warranty. If you want a longer or more comprehensive warranty than the limited warranty that comes with this major appliance, you should ask Jenn-Air or your retailer about buying an extended warranty.

LIMITATION OF REMEDIES; EXCLUSION OF INCIDENTAL AND CONSEQUENTIAL DAMAGES

YOUR SOLE AND EXCLUSIVE REMEDY UNDER THIS LIMITED WARRANTY SHALL BE PRODUCT REPAIR AS PROVIDED HEREIN. JENN-AIR SHALL NOT BE LIABLE FOR INCIDENTAL OR CONSEQUENTIAL DAMAGES. Some states and provinces do not allow the exclusion or limitation of incidental or consequential damages, so these limitations and exclusions may not apply to you. This warranty gives you specific legal rights, and you also may have other rights that vary from state to state or province to province.

If outside the 50 United States and Canada, contact your authorized Jenn-Air dealer to determine if another warranty applies.

If you need service, first see the “Troubleshooting” section of the Use & Care Guide. After checking “Troubleshooting,” you may find additional help by checking the “Assistance or Service” section or by calling us at **1-800-JENNAIR (1-800-536-6247)**.

9/13

Keep this book and your sales slip together for future reference. You must provide proof of purchase or installation date for in-warranty service.

Write down the following information about your major appliance to better help you obtain assistance or service if you ever need it. You will need to know your complete model number and serial number. You can find this information on the model and serial number label located on the product.

Dealer name _____

Address _____

Phone number _____

Model number _____

Serial number _____

Purchase date _____



SÉCURITÉ DU SYSTÈME INFUSEUR À CAFÉ

Votre sécurité et celle des autres est très importante.

Nous donnons de nombreux messages de sécurité importants dans ce manuel et sur votre appareil ménager. Assurez-vous de toujours lire tous les messages de sécurité et de vous y conformer.



Voici le symbole d'alerte de sécurité.

Ce symbole d'alerte de sécurité vous signale les dangers potentiels de décès et de blessures graves à vous et à d'autres.

Tous les messages de sécurité suivront le symbole d'alerte de sécurité et le mot "DANGER" ou "AVERTISSEMENT". Ces mots signifient :

⚠ DANGER

Risque possible de décès ou de blessure grave si vous ne suivez pas immédiatement les instructions.

⚠ AVERTISSEMENT

Risque possible de décès ou de blessure grave si vous ne suivez pas les instructions.

Tous les messages de sécurité vous diront quel est le danger potentiel et vous disent comment réduire le risque de blessure et ce qui peut se produire en cas de non-respect des instructions.

IMPORTANTES INSTRUCTIONS DE SÉCURITÉ

AVERTISSEMENT : Pour réduire le risque d'incendie, de choc électrique, de blessures ou de dommages lors de l'utilisation de cet appareil ménager, il convient d'observer certaines précautions élémentaires dont les suivantes :

- Lire toutes les instructions avant d'utiliser l'appareil.
- Ne pas toucher les surfaces chaudes. Utiliser les poignées ou les boutons.
- Pour éviter tout incendie, choc électrique ou blessure corporelle, ne pas immerger le cordon d'alimentation, les prises ou l'appareil dans l'eau ou un autre liquide.
- L'appareil n'est pas conçu pour une utilisation sans surveillance par de jeunes enfants ou des personnes handicapées.
- Débrancher la prise lorsque l'appareil n'est pas utilisé et avant le nettoyage. Laisser l'appareil refroidir avant de monter ou démonter des pièces et avant de le nettoyer.
- Ne pas faire fonctionner un appareil dont le cordon ou la prise est endommagé, lorsqu'il ne fonctionne pas correctement ou lorsqu'il a été endommagé d'une quelconque façon. Renvoyer l'appareil au centre de service agréé le plus proche pour examen, réparation ou réglage.
- L'utilisation d'accessoires non recommandés par le fabricant de l'appareil peut entraîner un incendie, un choc électrique ou des blessures corporelles.
- Ne pas utiliser à l'extérieur.
- Ne pas laisser le cordon pendre au bord d'une table ou d'un comptoir, ou toucher une surface chaude.
- Ne pas placer sur ou près d'un brûleur électrique ou à gaz chaud, ou dans un four chaud.
- Toujours éteindre l'appareil avant de le débrancher de sa prise murale. Pour la mise hors tension, éteindre l'appareil, puis le débrancher de sa prise murale.
- Ne pas utiliser l'appareil dans un autre cadre que l'usage domestique pour lequel il est conçu.
- Utiliser la production de vapeur avec la plus grande prudence.

CONSERVEZ CES INSTRUCTIONS

Avertissements de la proposition 65 de l'État de Californie :

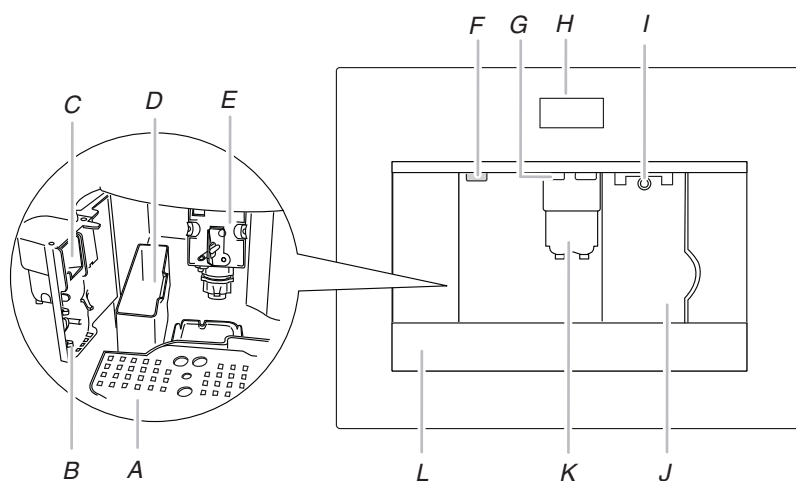
AVERTISSEMENT : Ce produit contient au moins un produit chimique connu par l'État de Californie pour être à l'origine de cancers.

AVERTISSEMENT : Ce produit contient au moins un produit chimique connu par l'État de Californie pour être à l'origine de malformations et autres déficiences de naissance.

PIÈCES ET CARACTÉRISTIQUES

Ce manuel couvre différents modèles. Le système infuseur à café que vous avez acheté peut comporter tous les articles énumérés ou seulement certains d'entre eux. L'emplacement et l'apparence des caractéristiques illustrées peuvent ne pas correspondre à ceux de votre modèle.

Vue de face :

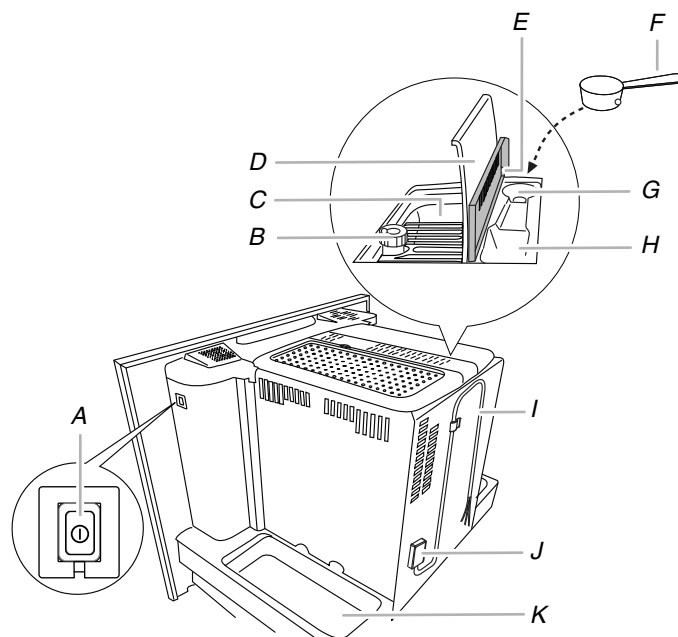


- A. Plateau à tasses
- B. Porte de service
- C. Entonnoir à café
- D. Récipient à mouture de café

- E. Infuseur
- F. Bouton on/standby (marche/veille)
- G. Témoins lumineux du plateau à tasses
- H. Tableau de commande

- I. Orifice à eau chaude et à vapeur
- J. Réservoir d'eau
- K. Bec à café (hauteur réglable)
- L. Plateau d'égouttement

Vue arrière :

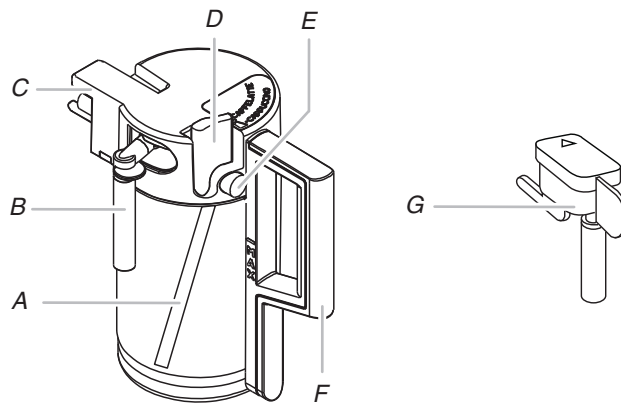


- A. Commutateur principal marche/arrêt
- B. Bouton de réglage du calibre de la mouture
- C. Récipient à grains de café
- D. Couvercle du récipient à grains de café

- E. Capuchon de l'entonnoir à café moulu
- F. Cuillère
- G. Compartiment à cuillère
- H. Tube de l'entonnoir à café moulu

- I. Câble d'alimentation électrique
- J. Bornier
- K. Plateau de rangement

Pot à lait et accessoires :



A. Tube d'admission de lait
 B. Bec à écume de lait
 C. Pot à mousser le lait
 D. Pointeur du pot à mousser le lait
 E. Bouton de nettoyage
 F. Poignée du pot à lait
 G. Bec à eau chaude

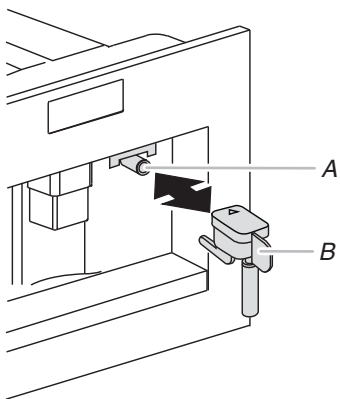
AVANT D'UTILISER LE SYSTÈME INFUSEUR À CAFÉ

On a utilisé du café pour tester la machine à l'usine. Il est tout à fait normal qu'il reste des traces de café dans le moulin.

Définir la dureté de l'eau dès que possible. Voir "Dureté de l'eau" à la section "Réglages".

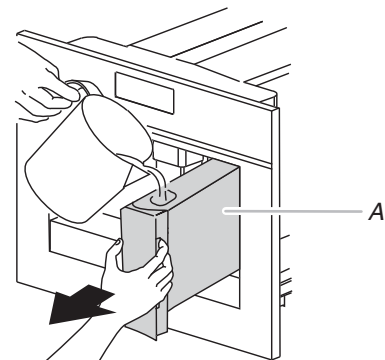
IMPORTANT : Suivre les étapes ci-dessous avant d'utiliser le système infuseur à café pour la première fois.

1. S'assurer que le bec à eau chaude est installé. Insérer le bec à eau chaude dans l'orifice à eau chaude et à vapeur.



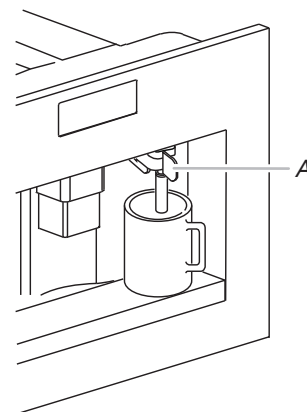
A. Orifice à eau chaude et à vapeur
 B. Bec à eau chaude

2. Mettre le système infuseur à café en marche.
3. Les langues disponibles défilent sur l'afficheur. Attendre jusqu'à ce que "Pressez OK pour choisir FRANÇAIS" s'affiche. Appuyer sans relâcher sur OK.
4. Au bout de 5 secondes, "REMPILISSEZ RÉSERVOIR" s'affiche. Retirer le réservoir d'eau, le rincer et le remplir d'eau fraîche jusqu'à la ligne MAX. Remettre le réservoir d'eau en place.



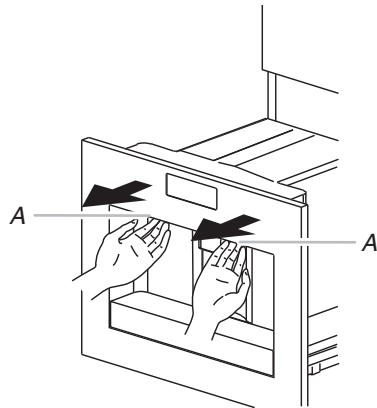
A. Réservoir d'eau

5. "EAU CHAUDE Pressez OK" s'affiche. Mettre une tasse sous le bec à eau chaude. Appuyer sur OK. Au bout de quelques secondes, de l'eau chaude s'écoule.



A. Bec à eau chaude

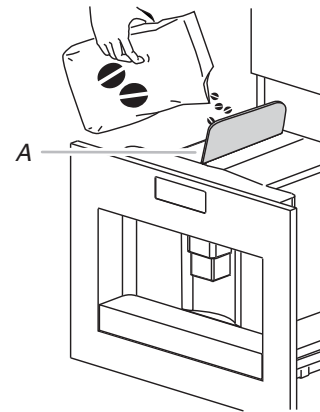
6. “DÉSACTIVATION VEUILLEZ PATIENTER...” s’affiche. Le système infuseur à café s’éteint.
7. Faire glisser le système infuseur à café vers l’avant à l’aide des poignées tel qu’illustré ci-dessous.



A. Poignées

8. Ouvrir le couvercle du récipient à grains de café, le remplir de grains de café puis fermer le couvercle.

IMPORTANT : Ne pas mettre de café moulu, de café lyophilisé, de café caramélisé ni de corps étranger dans le récipient à grains de café, car ils pourraient endommager la machine.



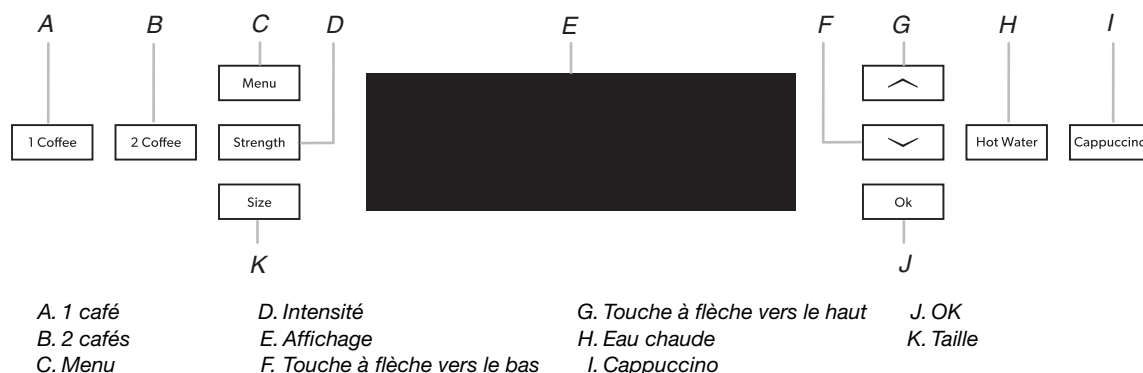
A. Récipient à grains de café

9. Remettre le système infuseur à café dans le logement. Il est maintenant prêt pour une utilisation normale.

REMARQUE : Lors de la première utilisation du système infuseur à café, faire 4 à 5 tasses de café et 4 à 5 cappuccinos avant d’obtenir de bons résultats avec le système infuseur à café.

REMARQUE : Chaque fois que la machine est mise en marche à l’aide du bouton On/Off (marche/arrêt), elle exécute une fonction de diagnostic automatique puis passe en mode veille. Pour réactiver la machine, appuyer sur le bouton On/Standby (marche/veille) sur la gauche du bec à café. Voir l’illustration à la section “Pièces et caractéristiques”.

UTILISATION DU SYSTÈME INFUSEUR À CAFÉ



Réglages

On peut contrôler plusieurs réglages à partir du menu Réglages : Rinçage, Signal sonore, Statistiques, Valeurs d’usine, Dureté de l’eau, Arrêt auto, Température café, Détartrage, Départ automatique, Sélectionner langue et Réglage heure.

Pour accéder au menu Réglages, appuyer sur MENU. Pour quitter le menu Réglages, appuyer à nouveau sur MENU.

Rinçage

Cette fonction est utilisée pour rincer le bec à café ou préchauffer l’infuseur si plus de 2 minutes se sont écoulées depuis le dernier préchauffage de la machine. On peut utiliser de l’eau chaude du programme de rinçage pour préchauffer une petite tasse de café.

1. Appuyer sur MENU.
2. Appuyer sur les touches à flèche vers le haut et vers le bas jusqu’à ce que “RINÇAGE” s’affiche. Appuyer sur OK.
3. “OK pour confirmer” s’affiche. Appuyer sur OK.

4. “Veuillez patienter...” et une barre de progression s’affichent. 1 oz (30 mL) d’eau chaude s’écoule dans le plateau d’égouttement.

REMARQUE : Si on le souhaite, on peut mettre une petite tasse sous le bec à café. L’eau chaude chauffe la tasse. Vider l’eau chaude avant d’utiliser la tasse pour le café.

Signal sonore

Le système infuseur à café est paramétré à l’usine; les signaux sonores sont activés par défaut, mais peuvent être désactivés.

1. Appuyer sur MENU.
 2. Appuyer sur les touches à flèche vers le haut et vers le bas jusqu’à ce que “SIGNAL SONORE Activé” s’affiche. Appuyer sur OK.
 3. “SIGNAL SONORE Désactiver ?” s’affiche. Appuyer sur OK pour désactiver les signaux sonores.
 4. Appuyer sur MENU pour quitter le menu.
- Pour réactiver les signaux, répéter les étapes 1 à 4.

Statistiques

Cette fonction vous permet de consulter les statistiques de la machine.

1. Appuyer sur MENU.
2. Appuyer sur les touches à flèche vers le haut et vers le bas jusqu'à ce que "STATISTIQUES" s'affiche. Appuyer sur OK.
3. Appuyer sur les touches à flèche vers le haut et vers le bas pour voir :
 - Total des tasses de café préparées
 - Total des litres d'eau utilisés
 - Nombre total de détartrages
 - Total des tasses de cappuccino préparées
4. Appuyer une fois sur MENU pour quitter le menu Statistiques. Appuyer à nouveau sur MENU pour quitter le menu principal.

Valeurs d'usine

Cette fonction permet de restaurer tous les réglages aux valeurs par défaut paramétrées à l'usine.

1. Appuyer sur MENU.
2. Appuyer sur les touches à flèche vers le haut et vers le bas jusqu'à ce que "VALEURS D'USINE" s'affiche. Appuyer sur OK.
3. "OK pour confirmer" s'affiche. Appuyer sur OK.
4. "Réinitialisés" s'affiche pendant quelques secondes. Tous les paramètres sont réinitialisés aux valeurs d'usine.
5. Appuyer sur MENU pour quitter le menu.

Dureté de l'eau

Il est important de définir la dureté de l'eau correcte pour assurer un bon détartrage.

1. Retirer de son emballage la bande de dureté de l'eau "Total hardness test" (test de dureté), qui se trouve dans le sachet avec la documentation.
2. Plonger entièrement la bande dans une tasse d'eau pendant quelques secondes.
3. Retirer la bande et patienter pendant environ 30 secondes jusqu'à ce qu'elle change de couleur et que des carrés rouges apparaissent sur la bande.
4. Appuyer sur MENU.
5. Appuyer sur les touches à flèche vers le haut et vers le bas jusqu'à ce que "DURETÉ DE L'EAU" s'affiche. Appuyer sur OK.
6. Appuyer sur les touches à flèche vers le haut et vers le bas pour sélectionner le nombre de points correspondant au nombre de carrés rouges qui se sont formés sur la bande de test. Par exemple, si la bande de test présente 3 carrés rouges, sélectionner ●●●○.
7. Appuyer sur OK.

Arrêt automatique

Le système infuseur à café est paramétré à l'usine pour passer automatiquement en mode veille au bout de 30 minutes d'inactivité.

1. Appuyer sur MENU.
2. Appuyer sur les touches à flèche vers le haut et vers le bas jusqu'à ce que "ARRÊT AUTO" s'affiche. Appuyer sur OK.
3. Appuyer sur les touches à flèche vers le haut et vers le bas jusqu'à ce que la durée souhaitée avant que le système infuseur à café passe en mode veille soit sélectionnée : 30 minutes, 1 heure ou 2 heures.
4. Appuyer sur OK.
5. Appuyer sur MENU pour quitter le menu.

Température du café

La température du café infusé peut être modifiée.

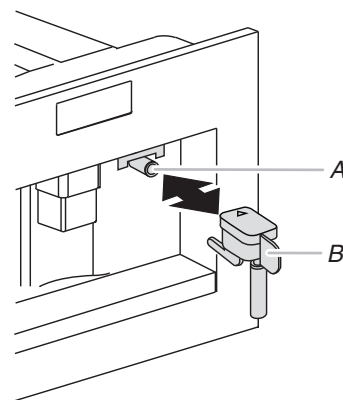
1. Appuyer sur MENU.
2. Appuyer sur les touches à flèche vers le haut et vers le bas jusqu'à ce que "TEMPÉRATURE CAFÉ" s'affiche. Appuyer sur OK.
3. Appuyer sur les touches à flèche vers le haut et vers le bas jusqu'à ce que la température du café souhaitée soit sélectionnée : basse, moyenne ou élevée.
4. Appuyer sur OK pour confirmer la température choisie.
5. Appuyer sur MENU pour quitter le menu.

Détartrage

Si "DÉTARTREZ!" s'affiche, le système infuseur à café doit être détartré.

REMARQUE : Le non-respect de la consigne de détartrage régulier de la machine peut entraîner une diminution de la performance du produit et peut endommager le produit

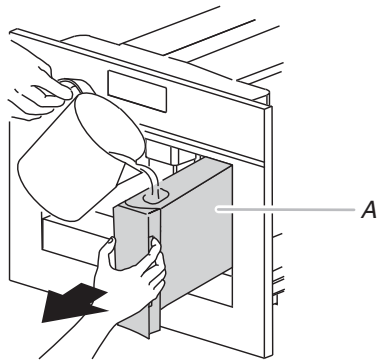
1. Lorsque la machine est prête à l'emploi, fixer le bec à eau chaude à l'orifice à eau chaude et à vapeur.



A. Orifice à eau chaude et à vapeur
B. Bec à eau chaude

2. Appuyer sur MENU.
 3. Appuyer sur les touches à flèche vers le haut et vers le bas jusqu'à ce que "DÉTARTRAGE" s'affiche. Appuyer sur OK.
 4. "DÉTARTRAGE OK pour confirmer" s'affiche. Appuyer sur OK.
 5. "INSÉRER DÉTARTRANT Pressez OK" s'affiche. Enlever le réservoir d'eau et vider le contenu. Dans le réservoir d'eau, verser le contenu d'un détartrant emballé et de l'eau, en suivant les instructions du fabricant.
- IMPORTANT :** Ne pas utiliser de vinaigre pour détartrer le système infuseur à café. Utiliser un agent de détartrage. Lors de l'utilisation d'un agent de détartrage, suivre les instructions de l'emballage pour connaître les quantités d'agent de détartrage et d'eau recommandées.

Remettre le réservoir d'eau en place.



A. Réservoir d'eau

6. Mettre un récipient de 2 pintes (2 L) ou plus sous le bec à eau chaude.
7. Appuyer sur OK. "DÉTARTRAGE EN COURS..." s'affiche et la solution de détartrage est distribuée.
8. Le programme de détartrage alterne automatiquement entre des écoulements et des pauses.
9. "RINÇAGE RÉSERVOIR" s'affiche. Vider l'écoulement de détartrant et remettre le récipient en place.
10. Enlever le réservoir d'eau et vider le contenu. Rincer abondamment le réservoir d'eau pour retirer toute trace de détartrant. Ajouter 3 tasses (710 mL) d'eau dans le réservoir d'eau.
11. Remettre le réservoir d'eau en place. "RINÇAGE OK pour confirmer" s'affiche. Appuyer sur OK.
12. "RINÇAGE" s'affiche. De l'eau chaude coule.
13. "RINÇAGE COMPLET Pressez OK" s'affiche. Appuyer sur OK.
14. "REPLISSEZ RÉSERVOIR" s'affiche. Retirer le réservoir d'eau, le remplir d'eau propre et le remettre en place.
Le programme de détartrage est terminé et la machine est prête à préparer du café.

REMARQUE : Si le programme de détartrage est interrompu avant la fin, il devra être redémarré depuis le début.

Départ automatique

Le système infuseur à café peut être paramétré pour s'allumer automatiquement à une heure prédéfinie.

REMARQUE : L'horloge interne doit être réglée avant d'activer le départ automatique. Voir "Réglage de l'horloge" dans cette section.

Pour activer le départ automatique :

1. Appuyer sur MENU.
2. Appuyer sur les touches à flèche vers le haut et vers le bas jusqu'à ce que "DÉPART AUTOMATIQUE Désactivée" s'affiche. Appuyer sur OK.
3. "DÉPART AUTOMATIQUE Activer ?" s'affiche. Appuyer sur OK.
4. "DÉPART AUTOMATIQUE 07:30" s'affiche. Appuyer sur les touches à flèche vers le haut et vers le bas jusqu'à ce que l'heure souhaitée s'affiche. Appuyer sur OK.
5. Appuyer sur les touches à flèche vers le haut et vers le bas jusqu'à ce que la minute souhaitée s'affiche. Appuyer sur OK.
6. Appuyer sur OK. L'affichage indique "DÉPART AUTOMATIQUE Activée".
7. Appuyer sur MENU pour quitter le menu.

Pour modifier le départ automatique s'il est activé :

1. Appuyer sur MENU.
2. Appuyer sur les touches à flèche vers le haut et vers le bas jusqu'à ce que "DÉPART AUTOMATIQUE Activée" s'affiche. Appuyer sur OK.
3. Appuyer sur les touches à flèche vers le haut et vers le bas jusqu'à ce que "DÉPART AUTOMATIQUE RÉGLAGE DE L'HORLOGE" s'affiche. Appuyer sur OK.
4. "DÉPART AUTOMATIQUE XX:XX" s'affiche. Appuyer sur les touches à flèche vers le haut et vers le bas jusqu'à ce que l'heure souhaitée s'affiche. Appuyer sur OK.
5. Appuyer sur les touches à flèche vers le haut et vers le bas jusqu'à ce que la minute souhaitée s'affiche. Appuyer sur OK.
6. Appuyer sur OK. L'affichage indique "DÉPART AUTOMATIQUE Activée".
7. Appuyer sur MENU pour quitter le menu.

Pour désactiver le départ automatique :

1. Appuyer sur MENU.
2. Appuyer sur les touches à flèche vers le haut et vers le bas jusqu'à ce que "DÉPART AUTOMATIQUE Activée" s'affiche. Appuyer sur OK.
3. "DÉPART AUTOMATIQUE Désactiver ?" s'affiche. Appuyer sur OK. L'affichage indique "DÉPART AUTOMATIQUE Désactivée".
4. Appuyer sur MENU pour quitter le menu.

Langue

La langue peut être modifiée.

1. Appuyer sur MENU.
2. Appuyer sur les touches à flèche vers le haut et vers le bas jusqu'à ce que "SÉLECTIONNER LANGUE" s'affiche. Appuyer sur OK.
3. Appuyer sur les touches à flèche vers le haut et vers le bas jusqu'à ce que la langue souhaitée s'affiche.
4. Appuyer sur OK.
5. Appuyer sur MENU pour quitter le menu.

Réglage de l'horloge

Le système infuseur à café dispose d'une horloge interne réglée au format de 24 heures.

1. Appuyer sur MENU.
2. Appuyer sur les touches à flèche vers le haut et vers le bas jusqu'à ce que "RÉGLAGE DE L'HORLOGE" s'affiche. Appuyer sur OK.
3. Appuyer sur les touches à flèche vers le haut et vers le bas jusqu'à ce que l'heure correcte s'affiche. Appuyer sur OK.
4. Appuyer sur les touches à flèche vers le haut et vers le bas jusqu'à ce que la minute correcte s'affiche. Appuyer sur OK.
5. Appuyer sur MENU pour quitter le menu.

Mise en marche et préchauffage

Chaque fois que le système infuseur à café est mis en marche, il exécute un programme de préchauffage et de rinçage automatique qui ne peut pas être interrompu. Le système infuseur à café est prêt à l'emploi une fois ce programme terminé.

Pour mettre le système infuseur à café en marche, appuyer une fois sur le bouton On/Standby (marche/veille). "PRÉCHAUFFAGE VEUILLEZ PATIENTER.." s'affiche. De l'eau chaude peut s'écouler du bec à café.

Lorsque "NORMAL Goût normal" s'affiche, le système infuseur à café est prêt à l'emploi.

Pour préchauffer à nouveau le système infuseur à café, voir "Rinçage" à la section "Réglages".

Préparation de café ou d'expresso avec des grains de café

Le système infuseur à café est paramétré à l'usine pour préparer un café normal au goût normal. L'intensité du café peut être modifiée en appuyant sur Strength (Intensité) jusqu'à ce que l'intensité souhaitée s'affiche : extra doux, doux, normal, fort, extra fort ou moulu.

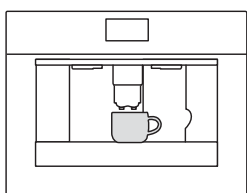
REMARQUE : Ne pas utiliser de café moulu à moins de sélectionner l'option Café moulu.

Pour modifier la quantité de café distribuée pour chaque taille de tasse, voir la section "Modification de la quantité de café".

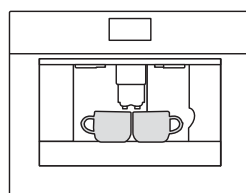
Si l'affichage indique "REPLISSEZ RÉSERVOIR", le réservoir d'eau doit être rempli. Le réservoir d'eau peut encore contenir de l'eau; ceci est normal.

Pour préparer du café :

1. Veiller à ce qu'il y ait des grains de café dans le récipient à mouture de café.
2. Mettre 1 ou 2 tasses sous les bacs à café tel qu'illustré ci-dessous.

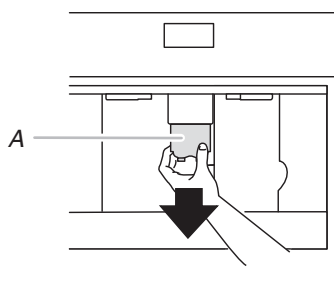


Une tasse



Deux tasses

Pour obtenir un café plus crémeux, baisser le bec à café aussi près que possible des tasses.



A. Bec à café

3. Appuyer sur SIZE (taille) pour sélectionner la taille de la tasse à café : espresso, serré, normal, allongé ou mug.
4. Appuyer sur 1 COFFEE (1 café) pour préparer 1 tasse de café ou 2 COFFEE (2 cafés) pour préparer 2 tasses.
5. Le système infuseur à café moule les grains et distribue le café. Une fois la quantité de café prédéfinie distribuée, le système infuseur à café s'arrête automatiquement et vide la mouture de café dans le récipient à mouture.

REMARQUE : On peut interrompre le système infuseur à café à tout moment en appuyant à nouveau sur le bouton 1 Coffee ou 2 Coffee.

6. Au bout de quelques secondes, le système infuseur à café est prêt à être réutilisé.
7. Pour éteindre le système infuseur à café, appuyer sur le bouton On/Standby (marche/veille). Le système infuseur à café exécute un programme de rinçage automatique puis passe en mode veille.

Si l'écoulement du café est trop lent ou incomplet, ou s'il est trop rapide et que le café n'est pas suffisamment crémeux, voir la section "Réglage du moulin à café".

Ne pas retirer le réservoir d'eau pendant l'écoulement du café. Si le réservoir d'eau est retiré, le système infuseur à café ne peut pas préparer de café et affiche "MOULU TROP FIN AJUSTEZ MOUTURE ! Pressez OK" suivi de "REPLISSEZ RÉSERVOIR". Vérifier le niveau d'eau dans le réservoir et le remettre à niveau. Pour redémarrer le système infuseur à café, appuyer sur OK. "EAU CHAUDE Pressez OK" s'affiche. Appuyer sur OK. L'eau s'écoule du bec pendant environ 30 secondes. Une fois l'écoulement terminé, le système infuseur à café retourne aux réglages standards programmés.

Le système infuseur à café peut vous demander de répéter l'opération plusieurs fois pour éliminer l'air dans la canalisation d'eau.

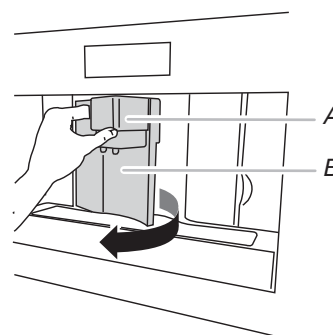
Conseils pour obtenir un café plus chaud :

- Exécuter un programme de rinçage avant d'infuser le café. Voir "Rinçage" à la section "Réglages".
- Ne pas utiliser de tasses trop épaisses car elles absorbent la chaleur, à moins de les préchauffer.
- Préchauffer toutes les tasses en les rinçant à l'eau chaude. Voir "Rinçage" à la section "Réglages".

Pour nettoyer :

Après avoir préparé 14 tasses de café, le plateau d'égouttement doit être nettoyé et le récipient à mouture de café vidé.

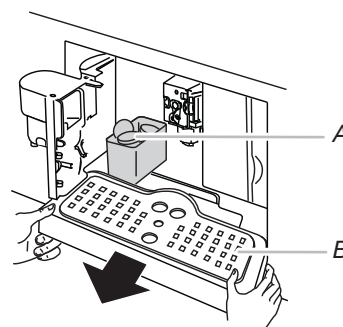
1. Ouvrir la porte de service à l'avant en tirant sur le bec à café.



A. Bec à café
B. Porte de service

2. Retirer le plateau d'égouttement et le nettoyer.

REMARQUE : Lors du nettoyage du système à café, toujours retirer entièrement le plateau d'égouttement.



A. Récipient à mouture de café
B. Plateau d'égouttement

3. Vider le récipient à mouture de café et le remettre en place.

REMARQUE : Chaque fois que le plateau d'égouttement est retiré, le récipient à mouture de café doit être vidé. Le non-respect de cette instruction peut entraîner l'obstruction du système infuseur à café.

4. Remettre le plateau d'égouttement en place et fermer la porte de service.

Modification de la quantité de café

Le système infuseur à café est paramétré à l'usine pour préparer automatiquement les quantités de café suivantes :

- Espresso : 1 oz (30 mL)
- Serré : 1½ oz (45 mL)
- Normal : 2 oz (60 mL)
- Allongé : 3 oz (90 mL)
- Mug : 4 oz (120 mL)

Ces réglages peuvent être ajustés jusqu'à 6 oz (180 mL).

REMARQUE : Le bouton 2 Coffee (2 cafés) peut être utilisé pour distribuer deux fois plus de café que le bouton 1 Coffee (1 café), même avec des réglages personnalisés. Pour revenir aux réglages d'origine, voir "Valeurs d'usine" à la section "Réglages".

1. Appuyer sur SIZE (taille) jusqu'à ce que la taille du café désirée s'affiche.
2. Mettre la tasse sous le bec à café. Appuyer sans relâcher sur 1 COFFEE (1 café) jusqu'à ce que "PROGRAMMEZ QUANTITÉ" s'affiche.

REMARQUE : Le système infuseur à café commence à distribuer du café avant l'affichage de "PROGRAMMEZ QUANTITÉ".

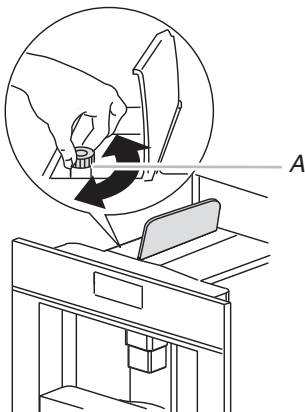
3. Appuyer à nouveau sur 1 COFFEE pour arrêter l'écoulement et sauvegarder la quantité de café désirée pour la taille.

La machine est maintenant reprogrammée et prête à l'emploi.

Réglage du moulin à café

Le moulin à café est paramétré à l'usine et ne nécessite aucun réglage. Si l'écoulement du café est trop rapide ou trop lent, le calibrage de la mouture peut être ajusté.

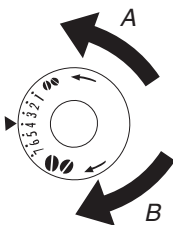
REMARQUE : Le bouton de réglage du calibrage de la mouture tourne uniquement lorsque le moulin est en marche.



A. Bouton de réglage du calibrage de la mouture

Pour obtenir un écoulement plus lent ou un café plus crémeux, tourner le bouton d'un cran dans le sens antihoraire (café moulu plus fin).

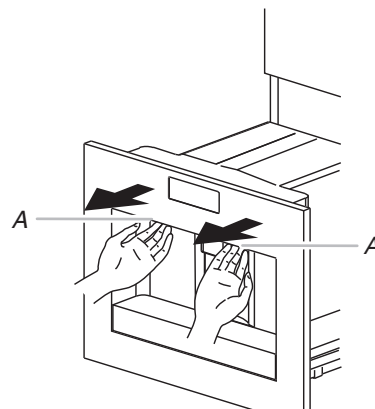
Pour obtenir un écoulement plus rapide, tourner le bouton d'un cran dans le sens horaire (café moulu plus grossièrement).



A. Sens antihoraire pour une mouture plus fine
B. Sens horaire pour une mouture plus grossière

Préparer de l'expresso avec du café moulu

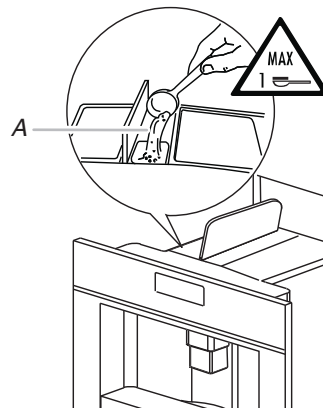
1. Appuyer sur STRENGTH (intensité) jusqu'à ce que "Moulu" soit sélectionné.
2. Faire glisser le système infuseur à café vers l'avant à l'aide des poignées tel qu'illustré ci-dessous.



A. Poignées

3. Soulever le petit couvercle central, verser une cuillerée de café moulu dans l'entonnoir.

REMARQUE : Utiliser uniquement du café moulu destiné aux machines à café expresso.



A. Entonnoir central

REMARQUE : Utiliser uniquement la cuillère fournie. Ne pas ajouter plus d'une cuillerée de café moulu.

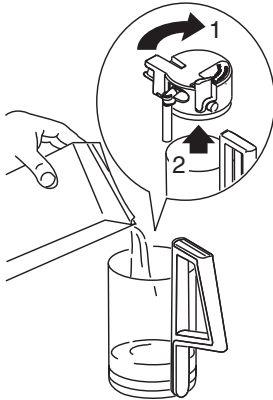
4. Refermer le couvercle central. Remettre le système infuseur à café dans son logement et passer à l'étape 2 de la section "Préparer du café ou de l'expresso avec des grains de café".

REMARQUE : Une seule tasse de café peut être préparée à la fois avec du café moulu. Ne pas utiliser 2 COFFEE (2 cafés).

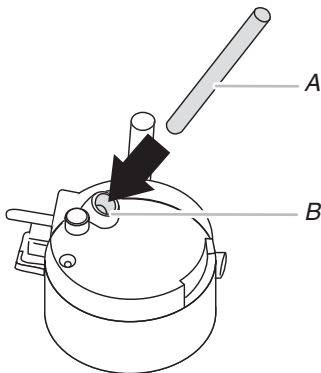
Pour désactiver la fonction Café moulu, appuyer à nouveau sur STRENGTH (intensité).

Préparer du cappuccino

1. Appuyer sur STRENGTH (intensité) jusqu'à ce que l'intensité désirée soit sélectionnée.
2. Faire tourner le couvercle du pot à lait dans le sens horaire et le soulever pour le retirer.

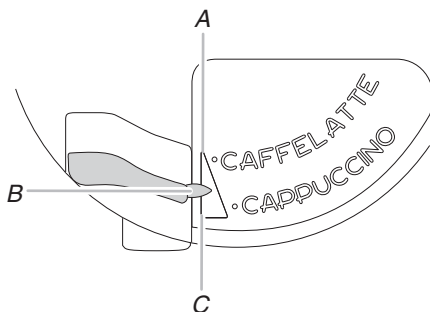


3. Remplir le pot à lait d'environ ½ tasse (100 mL) de lait pour chaque cappuccino à préparer. Ne pas aller au-delà de la ligne MAX sur le pot. Pour des résultats optimaux, utiliser du lait froid écrémé ou à 2 %.
4. Veiller à ce que le tube d'admission de lait soit correctement inséré dans la rondelle en caoutchouc, puis remettre le couvercle du pot à lait en place.



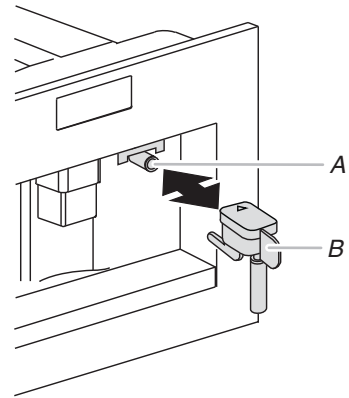
A. Tube d'admission de lait
B. Rondelle en caoutchouc

5. Positionner le pointeur du pot à mousser le lait sur le couvercle du pot à lait entre les mots "Cappuccino" et "Caffelatte". Déplacer le pointeur vers "Caffelatte" pour obtenir une mousse plus légère et vers "Cappuccino" pour une mousse plus épaisse.

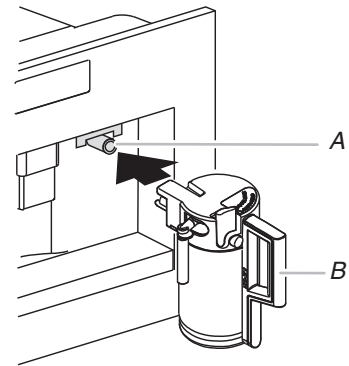


A. Mousse plus légère
B. Pointeur du pot à mousser
C. Mousse plus épaisse

6. Retirer le bec à eau chaude et fixer le pot à lait à l'orifice à eau chaude et à vapeur.

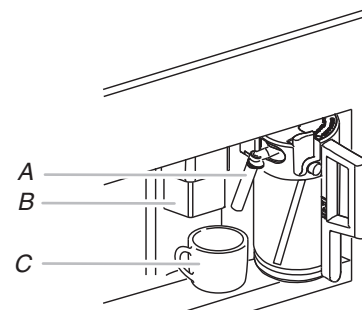


A. Orifice à eau chaude et à vapeur
B. Bec à eau chaude



A. Orifice à eau chaude et à vapeur
B. Pot à lait

7. Mettre une tasse sous le bec à café, puis soulever le bec à lait par-dessus tel qu'illustré ci-dessous.



A. Bec à lait
B. Becs à café
C. Tasse

8. Appuyer sur CAPPUCCINO. "CAPPUCCINO" s'affiche. Au bout de quelques secondes, de l'écume de lait s'écoule du bec à lait et remplit la tasse en dessous. Une fois que l'écoulement du lait s'arrête, l'écoulement du café commence immédiatement.

REMARQUE : Appuyer sur CAPPUCCINO à tout moment pour arrêter le processus de cappuccino.

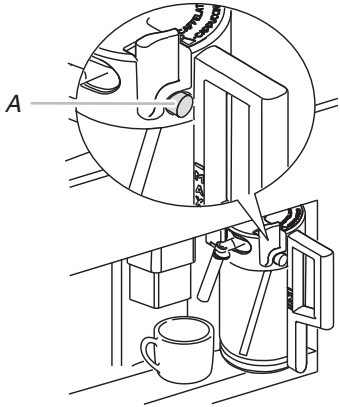
9. Lorsque l'écoulement de café s'arrête, le cappuccino est prêt. Ajouter du sucre et du cacao en poudre selon le goût.

Si le système infuseur à café manque de lait pendant l'écoulement du lait, dégager le pot à lait et ajouter du lait. Remettre le pot à lait en place et appuyer sur CAPPUCCINO pour en préparer d'autres.

Après avoir préparé du cappuccino, toujours nettoyer les tuyaux internes du couvercle du récipient à lait ainsi que l'orifice à eau chaude et à vapeur.

Pour nettoyer le pot à mousser le lait :

1. "Appuyez sur CLEAN" s'affiche.
2. Placer un pot sous le bec à lait.
3. Appuyer sur CLEAN (nettoyage) sur le couvercle du pot à lait pendant au moins 8 secondes.

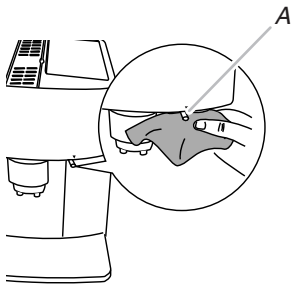


A. Bouton de nettoyage

4. "NETTOYAGE EN COURS" et une barre de progression s'affichent. Ne pas relâcher le bouton CLEAN avant que la barre de progression soit complète et que le nettoyage soit terminé. Le programme de nettoyage s'arrête lorsqu'on relâche le bouton Clean.
5. Après le nettoyage, retirer le pot à lait. Enfoncer le bec contre le pot et mettre le pot au réfrigérateur. Ne pas laisser le lait hors du réfrigérateur pendant plus de 15 minutes.

Pour nettoyer l'orifice à eau chaude et à vapeur :

Utiliser une éponge ou un chiffon humide pour nettoyer l'orifice à eau chaude et à vapeur après chaque utilisation.



A. Orifice à eau chaude et à vapeur

Pour modifier la quantité de lait et de café :

Le système infuseur à café est paramétré à l'usine pour préparer automatiquement 1 tasse (225 mL) de cappuccino. La quantité de lait et de café utilisée peut être personnalisée.

1. Remplir le pot à lait de lait jusqu'au niveau MAX.
2. Placer une tasse sous les bords à café et à lait.
3. Appuyer sans relâcher sur le bouton Cappuccino jusqu'à ce que "PROGRAMMEZ QUANTITÉ Lait pour cappuccino" s'affiche. Le système infuseur à café distribue du lait.
4. Appuyer à nouveau sur le bouton Cappuccino pour arrêter l'écoulement du lait et sauvegarder la quantité désirée de lait pour le réglage par défaut.
5. Au bout de quelques secondes, le système infuseur à café commence à distribuer du café. "PROGRAMMEZ QUANTITÉ Café pour cappuccino" s'affiche.
6. Appuyer à nouveau sur le bouton Cappuccino pour arrêter l'écoulement de café et sauvegarder la quantité désirée de café pour le réglage par défaut.

Distribution d'eau chaude

Le système infuseur à café peut distribuer de l'eau chaude sans infuser de café. Veiller à ce que le bec à eau chaude soit fixé à l'orifice à eau chaude et à vapeur et à ce que le système infuseur à café soit prêt à l'emploi.

1. Placer un récipient sous le bec à eau chaude.
2. Appuyer sur EAU CHAUDE.
3. "EAU CHAUDE Pressez OK" s'affiche. Appuyer sur OK.
4. "EAU CHAUDE" s'affiche et de l'eau chaude s'écoule du bec.

REMARQUE : Ne pas faire couler d'eau chaude pendant plus de 2 minutes à la fois.

5. Pour arrêter l'eau chaude, appuyer à nouveau sur EAU CHAUDE. L'écoulement d'eau chaude s'arrête automatiquement lorsque la quantité d'eau prédéfinie a été distribuée.

REMARQUE : Le système infuseur à café est paramétré à l'usine pour faire couler environ 1 tasse (250 mL) d'eau chaude.

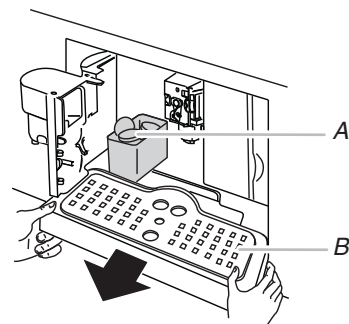
ENTRETIEN DU SYSTÈME INFUSEUR À CAFÉ

Nettoyage général

Afin d'éviter d'endommager le système infuseur à café, ne pas utiliser de solvant ni de détergent abrasif pour le nettoyage. Utiliser un chiffon doux et humide pour nettoyer l'extérieur du système infuseur à café. Nettoyer régulièrement toutes les pièces de la machine.

IMPORTANT : Avant le nettoyage, éteindre le système infuseur à café à l'aide du bouton On/Off (marche/arrêt) principal et le débrancher.

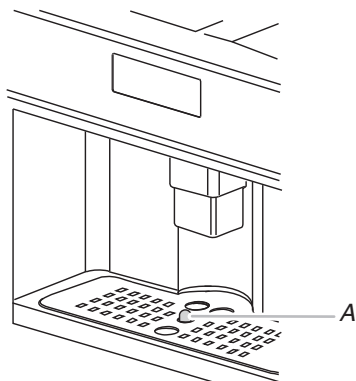
IMPORTANT : Ne pas plonger le système infuseur à café dans l'eau.



A. Récipient à mouture de café
B. Plateau d'égouttement

Nettoyage du plateau d'égouttement et du récipient à mouture de café

Le plateau d'égouttement est doté d'un flotteur rouge qui sert d'indicateur du niveau d'eau. Vider et nettoyer le plateau d'égouttement avant que le flotteur dépasse du plateau à tasses.

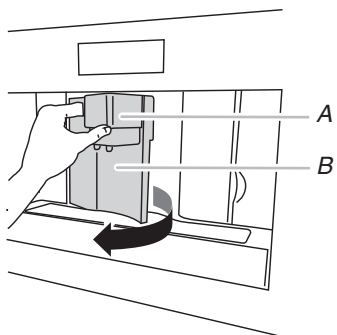


A. Flotteur

REMARQUE : Si le plateau d'égouttement n'est pas vidé, l'eau peut déborder. Ceci peut endommager la machine.

Vider et nettoyer le récipient à mouture de café régulièrement.

1. Ouvrir la porte de service à l'avant du système infuseur à café en tirant sur le bec à café.



A. Bec à café
B. Porte de service

2. Retirer le plateau d'égouttement et le nettoyer avec un chiffon doux et humide.

REMARQUE : Lorsque le plateau d'égouttement est retiré, le récipient à mouture de café doit être vidé.

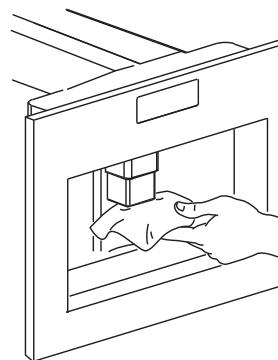
3. Retirer le récipient à mouture de café et le vider.
4. Nettoyer le récipient à mouture de café avec un chiffon doux et humide avant de le remettre en place.
5. Remettre le plateau d'égouttement en place.
6. Fermer la porte de service.

Nettoyage du réservoir d'eau

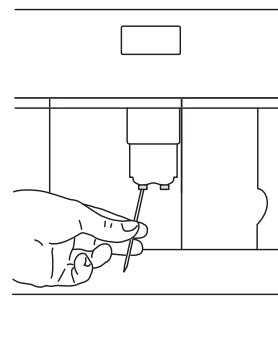
Nettoyer le réservoir d'eau environ une fois par mois avec un chiffon doux et humide et un détergent doux. Retirer toutes les traces de détergent avant d'utiliser le système infuseur à café.

Nettoyage des becs à café

Nettoyer les becs régulièrement à l'aide d'une éponge ou d'un chiffon humide.



Vérifier régulièrement que les trous des becs à café ne sont pas obstrués. Si c'est le cas, retirer les dépôts de café avec un cure-dents tel qu'illustré.



Nettoyage de l'entonnoir à café moulu

Vérifier environ une fois par mois que l'entonnoir à café moulu n'est pas obstrué.

Nettoyage de l'intérieur

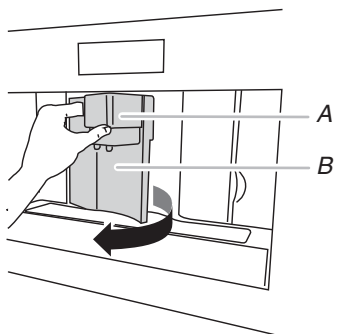
Vérifier l'intérieur du système infuseur à café environ une fois par mois pour vérifier l'absence de saleté et de résidus. Si nécessaire, retirer les dépôts de café à l'aide d'une éponge ou d'un chiffon humide.

Nettoyage de l'infuseur

Nettoyer l'infuseur une fois par mois.

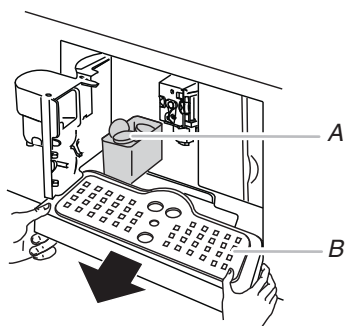
IMPORTANT : L'infuseur ne peut pas être retiré si le système infuseur à café est allumé. Ne pas tenter de faire usage de la force pour retirer l'infuseur.

1. Veiller à ce que le système infuseur à café soit correctement éteint. Voir la section "Arrêt du système infuseur à café".
2. Ouvrir la porte de service à l'avant du système infuseur à café en tirant sur le bec à eau chaude et à vapeur.



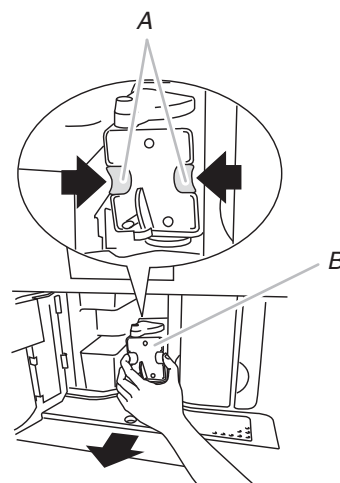
A. Bec à eau chaude et à vapeur
B. Porte de service

3. Retirer le plateau d'égouttement et le récipient à mouture de café.



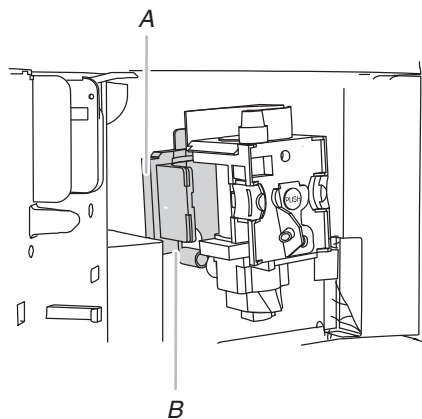
A. Récipient à mouture de café
B. Plateau d'égouttement

4. Appuyer sur les deux boutons de dégagement rouges vers l'intérieur et retirer l'infuseur.



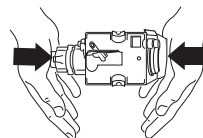
A. Boutons de dégagement rouges
B. Infuseur

5. Faire tremper l'infuseur dans l'eau pendant environ 5 minutes, puis le rincer.
REMARQUE : Ne pas utiliser de détergent pour nettoyer l'infuseur. L'intérieur du piston est traité avec un lubrifiant que du détergent ôterait.
6. Après le nettoyage, réinsérer l'infuseur pour que le support et la tige en bas soient bien enclenchés. Appuyer sur le symbole PUSH (pousser) jusqu'à l'enclenchement et jusqu'à ce que les deux boutons de dégagement rouges soient sortis.



A. Support
B. Tige

REMARQUE : En cas de difficulté à remettre l'infuseur en place, comprimer les pièces mobiles du haut et du bas tel qu'illustré ci-dessous avant de le réinsérer.



7. Remettre le plateau d'égouttement et le récipient à mouture de café en place.
8. Fermer la porte de service.

Nettoyage du pot à lait

Tous les composants du pot à lait vont au lave-vaisselle, dans le panier supérieur.

1. Faire tourner le couvercle du pot à lait dans le sens horaire et le retirer.
2. Retirer le bec à lait et le tube d'admission.
3. Retirer le pointeur en le tirant vers l'extérieur.
4. Laver soigneusement tous les composants à l'eau chaude et au détergent doux. Veiller à ce qu'il ne reste aucun résidu de lait à l'intérieur des trous ou dans la rainure de l'extrémité fine du pointeur.
5. Vérifier que le tube d'admission et le bec ne sont pas obstrués par des résidus de lait.
6. Remettre le pointeur, le bec à lait et le tube d'admission en place.
7. Remettre le couvercle du pot à lait en place.

Vacances ou remisage

Si le système infuseur à café n'est pas utilisé pendant une période prolongée, vider le récipient à mouture de café, le plateau d'égouttement et le réservoir d'eau. Éteindre le système infuseur à café à l'aide du bouton principal On/Off (marche/arrêt) et le débrancher avant de le remisage.

Arrêt du système infuseur à café

Chaque fois que le système infuseur à café est mis en mode veille, il exécute un rinçage automatique qui ne peut pas être interrompu.

Pour éteindre le système infuseur à café, appuyer sur le bouton On/Standby (marche/veille) à l'avant du système. "DÉSACTIVATION VEUILLEZ PATIENTER.." s'affiche et de l'eau chaude s'écoule du bec à café.

Le système infuseur à café passe automatiquement en mode veille au bout de 30 minutes. Pour modifier cette durée, voir "Arrêt auto" à la section "Réglages".

REMARQUE : Si le système infuseur à café n'est pas utilisé pendant une période prolongée, appuyer sur bouton principal On/Off (marche/arrêt) sur le côté de la machine. Le réglage automatique ne fonctionne pas si la machine est éteinte avec le bouton principal On/Off (marche/arrêt).

DÉPANNAGE

Essayer d'abord les solutions suggérées ici afin d'éviter le coût d'une intervention de dépannage inutile.

Problème	Cause possible	Solution
Le café n'est pas chaud.	Les tasses n'ont pas été préchauffées.	Chauffer les tasses en les rinçant à l'eau chaude.
	L'infuseur a refroidi car 2 à 3 minutes se sont écoulées depuis la préparation du dernier café.	Avant de préparer du café, chauffer l'infuseur en sélectionnant la fonction Rincer dans le menu.
	La température réglée n'est pas suffisamment élevée.	Modifier le réglage de la température. Voir "Température du café" à la section "Réglages".
Le café n'est pas suffisamment crémeux.	Le café n'est pas moulu assez finement.	Tourner le bouton de réglage du calibrage de la mouture d'un cran dans le sens antihoraire vers le numéro 1 lorsque le moulin est en marche. Voir la section "Réglage du moulin à café".
	La variété de café ne convient pas.	Utiliser une variété de café spécialement destinée aux machines à café expresso.
Le café s'écoule trop lentement ou par gouttes.	Le café est moulu trop finement.	Tourner le bouton de réglage du calibrage de la mouture d'un cran dans le sens horaire vers le numéro 7 lorsque le moulin est en marche. Passer au cran suivant, un à la fois, jusqu'à ce que l'écoulement du café soit satisfaisant. Les résultats sont visibles uniquement après la préparation de 2 tasses de café. Voir la section "Réglage du moulin à café".
Le café s'écoule trop rapidement.	Le café n'est pas moulu assez finement.	Tourner le bouton de réglage du calibrage de la mouture d'un cran dans le sens antihoraire vers le numéro 1 lorsque le moulin est en marche. Les résultats sont visibles uniquement après la préparation de 2 tasses de café. Voir la section "Réglage du moulin à café".
Le café ne s'écoule pas par l'un ou les deux becs.	Les becs sont obstrués.	Nettoyer les becs avec un cure-dents.
Le café s'écoule par la porte de service et non par les becs.	Les trous des becs sont obstrués par de la poudre de café sèche.	Nettoyer les becs avec un cure-dents, une éponge ou une brosse de cuisine à poils durs.
	L'entonnoir à café à l'intérieur de la porte de service est bloqué.	Bien nettoyer l'entonnoir à café, en particulier au niveau des charnières.
De l'eau sort des becs au lieu du café.	Du café moulu obstrue l'entonnoir.	Nettoyer l'entonnoir avec une fourchette en bois ou en plastique et nettoyer l'intérieur de la machine.

Problème	Cause possible	Solution
Le lait ne sort pas du bec à lait.	Le tube d'admission n'est pas inséré ou est mal inséré.	Insérer le tube d'admission dans la rondelle en caoutchouc du couvercle du pot à lait.
Le lait n'a pas bien moussé.	Le couvercle du pot à lait est sale.	Nettoyer le couvercle du pot à lait tel qu'indiqué dans "Pour nettoyer le pot à mousser le lait" à la section "Préparer du cappuccino".
	Le pointeur à lait est mal positionné.	Ajuster le pointeur tel qu'indiqué à la section "Préparer du cappuccino".
Le lait fait de grosses bulles ou gicle du bec à lait.	Le lait n'est pas suffisamment froid ou n'est pas à 2 %.	Pour des résultats optimaux, utiliser du lait froid écrémé ou à 2 %. Si les résultats ne sont toujours pas satisfaisants, essayer de changer de marque de lait.
	Le pointeur du pot à mousser le lait n'est pas bien réglé.	Déplacer le pointeur légèrement vers le mot "Caffelatte." Voir la section "Préparer du cappuccino".
	Le couvercle du pot à lait est sale.	Nettoyer le couvercle du pot à lait tel qu'indiqué dans "Pour nettoyer le pot à mousser le lait" à la section "Préparer du cappuccino".

Messages sur l'affichage

Message affiché	Cause possible	Solution
AJOUTEZ CAFÉ PRÉ-MOULU !	La fonction "café moulu" a été sélectionnée sans que l'on ait mis de café moulu dans l'entonnoir.	Faire glisser le système infuseur à café pour le sortir. À l'aide de l'entonnoir, ajouter du café moulu.
FERMEZ LA PORTE !	La porte de service est ouverte.	Fermer la porte de service.
DÉTARTREZ ! (en alternance avec) NORMAL Goût normal	Indique qu'un détartrage est nécessaire.	Le programme de détartrage doit être exécuté dès que possible. Suivre les instructions dans "Détartrage" à la section "Réglages".
REPLIR LE RÉSERVOIR À GRAIN !	Il n'y a plus de grains de café.	Remplir le récipient à grains.
REPLISSEZ RÉSERVOIR	Le réservoir d'eau est vide ou mal positionné.	Remplir le réservoir d'eau et/ou l'insérer correctement en l'enfonçant aussi loin que possible.
ALARME GÉNÉRALE	L'intérieur du système infuseur à café est très sale.	Bien nettoyer l'intérieur du système infuseur à café tel qu'indiqué dans "Nettoyage de l'intérieur" à la section "Nettoyage général". Si le message est toujours affiché après le nettoyage, contacter un centre de service.
MOULU TROP FIN AJUSTEZ MOUTURE ! INSÉREZ LE BAC À EAU ! Pressez OK	Le grain est trop fin et le café s'écoule donc trop lentement.	Tourner le bouton de réglage du calibrage de la mouture d'un cran vers le numéro 7.
MOULU TROP FIN AJUSTEZ MOUTURE ! (en alternance avec) Appuyer sur OK. (puis) REPLISSEZ RÉSERVOIR	Le réservoir d'eau a été retiré pendant l'écoulement du café. Il y a de l'air dans la canalisation d'eau.	Remettre le réservoir en place et appuyer sur OK. L'affichage indique "EAU CHAUDE" et de l'eau chaude est distribuée. Le système est alors prêt à l'emploi.
INSÉREZ INFUSEUR !	L'infuseur n'a pas été remis en place après le nettoyage.	Insérer l'infuseur tel qu'indiqué à la section "Nettoyage de l'infuseur".
INSÉREZ POT À LAIT !	Le pot à lait est absent ou est mal positionné.	Insérer le pot à lait correctement en l'enfonçant aussi loin que possible.
INSÉREZ LE RÉCUPÉRATEUR DE CAFÉ	Après le nettoyage, le récipient à mouture de café n'a pas été remis en place.	Ouvrir la porte de service et insérer le récipient à mouture.

ASSISTANCE OU SERVICE

Avant de faire un appel pour assistance ou service, veuillez vérifier la section "Dépannage". Cette vérification peut vous faire économiser le coût d'une visite de service. Si vous avez encore besoin d'aide, suivez les instructions ci-dessous.

Lors d'un appel, veuillez connaître la date d'achat et les numéros de modèle et de série complets de votre appareil. Ces renseignements nous aideront à mieux répondre à votre demande.

Si vous avez besoin de pièces de rechange

Si vous avez besoin de commander des pièces de rechange, nous vous recommandons d'utiliser seulement des pièces spécifiées par l'usine. Les pièces de rechange spécifiées par l'usine fonctionneront bien parce qu'elles sont fabriquées selon la même précision que celle utilisée pour fabriquer chaque nouvel appareil JENN-AIR™.

Pour savoir où trouver des pièces spécifiées par l'usine dans votre région, nous appelons ou contactons le centre de service désigné JENN-AIR™ le plus proche.

Au Canada

Téléphoner sans frais au Centre pour l'eXpérience de la clientèle de Jenn-Air au : **1-800-JENNAIR (1-800-536-6247)**

Nos consultants fournissent de l'assistance pour :

- Procédures d'utilisation et d'entretien.
- Vente de pièces de rechange.
- Orientation vers des concessionnaires, compagnies de service de réparation et distributeurs de pièces de rechange locaux. Les techniciens de service désignés par Jenn-Air sont formés pour remplir la garantie du produit et fournir un service après la garantie, partout au Canada.

Pour plus d'assistance :

Si vous avez besoin de plus d'assistance, vous pouvez écrire à :

Jenn-Air Brand Home Appliances
Centre pour l'eXpérience de la clientèle
200 - 6750 Century Ave.
Mississauga, Ontario L5N 0B7

Adresse Internet : **www.jennair.ca**

Veuillez indiquer dans votre correspondance un numéro de téléphone où l'on peut vous joindre dans la journée.

GARANTIE DES GROS APPAREILS MÉNAGERS JENN-AIR™

GARANTIE LIMITÉE DE UN AN

Pendant un an à compter de la date d'achat, lorsque ce gros appareil ménager est installé, utilisé et entretenu conformément aux instructions jointes au produit ou fournies avec, la marque Jenn-Air de Whirlpool Corporation ou Whirlpool Canada LP (ci-après désignées "Jenn-Air") paiera pour les pièces de rechange spécifiées par l'usine et pour la main-d'œuvre pour corriger les vices de matériaux ou de fabrication qui existaient déjà lorsque ce gros appareil ménager a été acheté. S'il est remplacé, votre appareil restera sous garantie pour la durée restant à courir de la période de garantie sur le produit d'origine.

LE SEUL ET EXCLUSIF RECOURS DU CLIENT DANS LE CADRE DE LA PRÉSENTE GARANTIE LIMITÉE CONSISTE EN LA RÉPARATION PRÉVUE CI-DESSUS. L'entretien/le dépannage doit être effectué par une compagnie de dépannage désignée par Jenn-Air. Cette garantie limitée est valide uniquement aux États-Unis ou au Canada et s'applique exclusivement lorsque l'appareil est utilisé dans le pays où il a été acheté. À l'extérieur du Canada et des 50 États des États-Unis, cette garantie limitée ne s'applique pas. Cette garantie limitée est effective à compter de la date d'achat d'origine par le consommateur. Une preuve de la date d'achat original est exigée pour obtenir un service dans le cadre de la présente garantie limitée.

ARTICLES EXCLUS DE LA GARANTIE

La présente garantie limitée ne couvre pas :

1. Les visites de service pour rectifier l'installation du gros appareil ménager, montrer à l'utilisateur comment utiliser l'appareil, remplacer ou réparer des fusibles ou rectifier le câblage ou la plomberie du domicile.
2. Les visites de service pour réparer ou remplacer les ampoules électriques de l'appareil, les filtres à air ou les filtres à eau. Les pièces consommables ne sont pas couvertes par la garantie.
3. Les réparations lorsque le gros appareil ménager est utilisé à des fins autres que l'usage unifamilial normal ou lorsque les instructions d'installation et/ou les instructions de l'opérateur ou de l'utilisateur fournies ne sont pas respectées.
4. Les dommages imputables à : accident, modification, usage impropre ou abusif, incendie, inondation, actes de Dieu, installation fautive ou installation non conforme aux codes d'électricité ou de plomberie, ou l'utilisation de pièces consommables ou de produits nettoyants non approuvés par Jenn-Air.
5. Les défauts apparents, notamment les éraflures, les bosses, fissures ou tout autre dommage au fini du gros appareil ménager, à moins que ces dommages soient dus à des vices de matériaux ou de fabrication et soient signalés à Jenn-Air dans les 30 jours suivant la date d'achat.
6. Toute perte d'aliments due à une défaillance du réfrigérateur ou du congélateur.
7. Les coûts associés au transport du gros appareil ménager du domicile pour réparation. Ce gros appareil ménager est conçu pour être réparé à domicile et seul le service à domicile est couvert par la présente garantie.
8. Les réparations aux pièces ou systèmes résultant d'une modification non autorisée faite à l'appareil.
9. Les frais de transport pour le service d'un produit si votre gros appareil est situé dans une région éloignée où un service d'entretien Jenn-Air autorisé n'est pas disponible.
10. La dépose et la réinstallation de votre gros appareil si celui-ci est installé dans un endroit inaccessible ou n'est pas installé conformément aux instructions d'installation fournies.

11. Les pièces de rechange ou la main-d'œuvre pour les gros appareils ménagers dont les numéros de modèle/de série ont été enlevés, modifiés ou qui ne peuvent pas être facilement identifiés. La présente garantie est nulle si le numéro de série d'usine a été modifié ou enlevé du gros appareil ménager.
12. Le retrait ou la réinstallation de garnitures, panneaux décoratifs, plancher, meubles, cuisines en îlot, plans de travail, panneaux de gypse ou autres dispositifs préinstallés qui entravent le dépannage, le retrait ou le remplacement du produit.

Le coût d'une réparation ou d'un remplacement dans le cadre de ces circonstances exclues est à la charge du client.

CLAUSE D'EXONÉRATION DE RESPONSABILITÉ AU TITRE DES GARANTIES IMPLICITES

LES GARANTIES IMPLICITES, Y COMPRIS LES GARANTIES APPLICABLES DE QUALITÉ MARCHANDE OU D'APTITUDE À UN USAGE PARTICULIER, SONT LIMITÉES À UN AN OU À LA PLUS COURTE PÉRIODE AUTORISÉE PAR LA LOI. Certains États et provinces ne permettent pas de limitation sur la durée des garanties implicites de qualité marchande ou d'aptitude à un usage particulier, de sorte que la limitation ci-dessus peut ne pas être applicable dans votre cas. Cette garantie vous confère des droits juridiques spécifiques et vous pouvez également jouir d'autres droits qui peuvent varier d'une juridiction à l'autre.

EXONÉRATION DE RESPONSABILITÉ DANS LES DOMAINES NON COUVERTS PAR LA GARANTIE

Jenn-Air décline toute responsabilité au titre de la qualité, de la durabilité ou en cas de dépannage ou de réparation nécessaire sur ce gros appareil ménager autre que les responsabilités énoncées dans la présente garantie. Si vous souhaitez une garantie plus étendue ou plus complète que la garantie limitée fournie avec ce gros appareil ménager, adressez-vous à Jenn-Air ou à votre détaillant pour obtenir les modalités d'achat d'une garantie étendue.

LIMITATION DES RECOURS; EXCLUSION DES DOMMAGES FORTUITS OU INDIRECTS

LE SEUL ET EXCLUSIF RECOURS DU CLIENT DANS LE CADRE DE LA PRÉSENTE GARANTIE LIMITÉE CONSISTE EN LA RÉPARATION PRÉVUE PAR LA PRÉSENTE. JENNAIR N'ASSUME AUCUNE RESPONSABILITÉ POUR LES DOMMAGES FORTUITS OU INDIRECTS. Certains États et certaines provinces ne permettent pas l'exclusion ou la limitation des dommages fortuits ou indirects de sorte que ces limitations et exclusions peuvent ne pas être applicables dans votre cas. Cette garantie vous confère des droits juridiques spécifiques et vous pouvez également jouir d'autres droits qui peuvent varier d'une juridiction à l'autre.

Si vous résidez à l'extérieur du Canada et des 50 États des États-Unis, contactez votre marchand Jenn-Air autorisé pour déterminer si une autre garantie s'applique.

Si vous avez besoin de service, voir d'abord la section "Dépannage" du Guide d'utilisation et d'entretien. Après avoir vérifié la section "Dépannage", de l'aide supplémentaire peut être trouvée en vérifiant la section "Assistance ou service" ou en nous appelant au **1-800-JENNAIR (1-800-536-6247)**.

9/13

Conservez ce manuel et votre reçu de vente ensemble pour référence ultérieure. Pour le service sous garantie, vous devez présenter un document prouvant la date d'achat ou d'installation.

Inscrivez les renseignements suivants au sujet de votre gros appareil ménager pour mieux vous aider à obtenir assistance ou service en cas de besoin. Vous devrez connaître le numéro de modèle et le numéro de série au complet. Vous trouverez ces renseignements sur la plaque signalétique située sur le produit.

Nom du marchand _____

Adresse _____

Numéro de téléphone _____

Numéro de modèle _____

Numéro de série _____

Date d'achat _____