

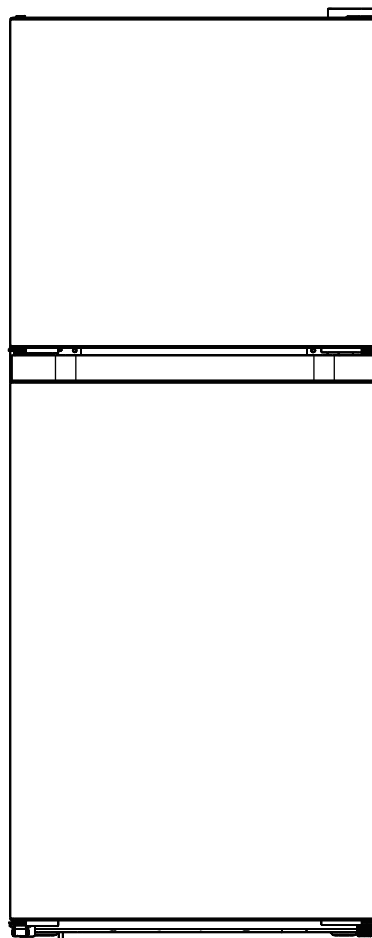
VISSANI™

SKU # 1014392792
Model # MDCM45BK5
SKU # 1014392793
Model # MDCM45WH5
SKU # 1010743786
Model # MDCM45SS5

USE AND CARE GUIDE

INSTALLATION INSTRUCTIONS

4.5 CUBIC FEET MINI REFRIGERATOR



Questions, problems, missing parts? Before returning to the store, call
VISSANI Customer Service
Mon-Fri 8:00 AM to 8:00 PM (EST) , Saturday 8:00 AM to 6:00 PM (EST)

1-855-847-7264

HOMEDEPOT.COM

THANK YOU

We appreciate the trust and confidence you have placed in Vissani through the purchase of this refrigerator. We strive to continually create quality products designed to enhance your home. Visit us online to see our full line of products available for your home improvement needs. Thank you for choosing Vissani!

Contents

| | | | |
|---|------------|---------------------------------------|--------------|
| Safety Warnings | 2-5 | Door right-left change(optional)..... | 9 |
| WARNING | 2 | Maintenance and care | 13 |
| Warnings for energy..... | 3 | Cleaning..... | 13 |
| Warnings related to disposal..... | 4 | Stop using..... | 13 |
| Electricity related warnings..... | 4 | Trouble Shooting | 14-15 |
| Related warnings for using..... | 5 | Warranty | 16-17 |
| Warnings related to placing items..... | 5 | | |
| Structure and functions | 6-7 | | |
| Components..... | 6 | | |
| Functions..... | 6 | | |
| Proper use of refrigerator | 7-9 | | |
| Placement..... | 7 | | |
| Start to use..... | 8 | | |
| Energy saving tips..... | 8 | | |
| Levelling feet..... | 9 | | |

Safety Warnings

WARNINGS



WARNING: Risk of fire / flammable materials

- This appliance is intended to be used in household and similar applications such as staff kitchen areas in shops, offices and other working environments; farm houses and by clients in hotels, motels and other residential type environments; bed and breakfast type environments; catering and similar non-retail applications.
- This appliance is not intended for use by persons (including children) with reduced physical, sensory or mental capabilities, or lack of experience and knowledge, unless they have been given supervision or instruction concerning use of the appliance by a person responsible for their safety.
- Children should be supervised to ensure that they do not play with the appliance.
- If the supply cord is damaged, it must be replaced by the manufacturer, its service agent or similarly qualified persons in order to avoid a hazard.
- **DO NOT** store explosive substances such as aerosol cans with a flammable propellant in this appliance.
- The appliance has to be unplugged after use and before carrying out user maintenance on the appliance.
- **WARNING:** Keep ventilation openings, in the appliance enclosure or in the built-in structure, clear of obstruction.
- **WARNING:** Do not use mechanical devices or other means to accelerate the defrosting process, other than those recommended by the manufacturer.
- **WARNING:** Do not damage the refrigerant circuit.
- **WARNING:** Do not use electrical appliances inside the food storage compartments of the appliance, unless they are of the type recommended by the manufacturer.
- **WARNING:** Please abandon the refrigerator according to local regulators for its use flammable blowing gas and refrigerant.

Safety Warnings

- **WARNING:** When positioning the appliance, ensure the supply cord is not trapped or damaged.
- **WARNING:** Do not locate multiple portable socket-outlets or portable power supplies at the rear of the appliance.
- **DO NOT** use extension cords or ungrounded (two prong) adapters.
- **WARNING:** Risk of child entrapment. Before you throw away your old refrigerator or freezer:
 - Take off the doors.
 - Leave the shelves in place so that children may not easily climb inside.
- The refrigerator must be disconnected from the source of electrical supply before attempting the installation of accessory.
- Refrigerant and cyclopentane foaming material used for the appliance are flammable. Therefore, when the appliance is scrapped, it shall be kept away from any fire source and be recovered by a special recovering company with corresponding qualification other than be disposed by combustion, so as to prevent damage to the environment or any other harm.
- Refrigerant and cyclopentane foaming material used for the appliance are flammable. Therefore, when the appliance is scrapped, it shall be kept away from any fire source and be recovered by a special recovering company with corresponding qualification other than be disposed by combustion. so as to prevent damage to the environment or any other harm.
- The necessity that, for doors or lids fitted with locks and keys, the keys be kept out of the reach of children and not in the vicinity of the refrigerating appliance, in order to prevent children from being locked inside.
- **WARNING:** To avoid a hazard due to instability of the appliance, it must be fixed in accordance with the instructions.

Warnings for energy

1. Refrigerating appliances might not operate consistently (possibility of defrosting of contents or temperature becoming too warm in the frozen food compartment) when sited for an extended period of time below the cold end of the range of temperatures for which the refrigerating appliance is designed.
2. The fact that effervescent drinks should not be stored in food freezer compartments, and that some products such as water ices should not be consumed too cold;
3. The need to not exceed the storage time recommended by the food manufacturers for any kind of food and particularly for commercially quick-frozen food in freezer;
4. The precautions necessary to prevent an undue rise in the temperature of the frozen food while defrosting the refrigerating appliance, such as wrapping the frozen food in several layers of newspaper.
5. The fact that a rise in temperature of the frozen food during manual defrosting, maintenance or cleaning could shorten the storage life.
6. The necessity that, for doors or lids fitted with locks and keys, the keys be kept out of the reach of children and not in the vicinity of the refrigerating appliance, in order to prevent children from being locked inside.

Safety Warnings

Warnings related to disposal



Refrigerant and cyclopentane foaming material used for the refrigerator are flammable. Therefore, when the refrigerator is scraped, it shall be kept away from any fire source and be recovered by a special recovering company with corresponding qualification other than be disposed by combustion, so as to prevent damage to the environment or any other harm.



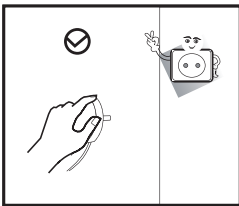
When the refrigerator is scraped, disassemble the doors, and remove the seal of the door and shelves; put the door and shelves in a proper place, so as to prevent trapping of any child.



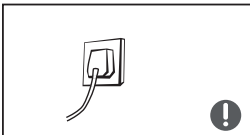
Correct Disposal of this product:

This marking indicates that this product should not be disposed with other household wastes. To prevent possible harm to the environment or human health from uncontrolled waste disposal, recycle it responsibly to promote the sustainable reuse of material resources. To return your used device please use the return and collection systems or contact the retailer where the product was purchased. They can take this product for environmental safe recycling

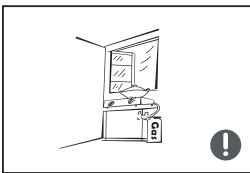
Electricity related warnings



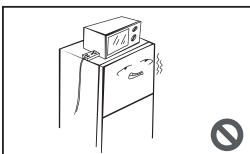
- Do not pull the power cord when pulling the power plug of the refrigerator. Please firmly grasp the plug and pull out it from the socket directly.
- To ensure safe use, do not damage the power cord or use the power cord when it is damaged or worn.



- Please use a dedicated power socket and the power socket shall not be shared with other electrical appliances. The power cord should be firmly contacted with the socket or else fires might be caused.
- Please ensure that the grounding electrode of the power socket is equipped with a reliable grounding line.



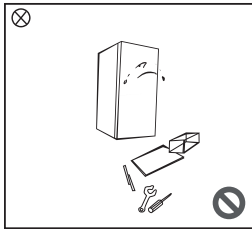
- Please turn off the valve of the leaking gas and then open the doors and windows in case of leakage of gas and other flammable gases. Do not unplug the refrigerator and other electrical appliances considering that spark may cause a fire.



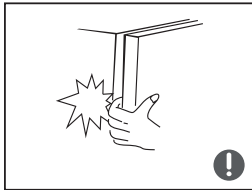
- Do not use electrical appliances on the top of the appliance, unless they are of the type recommended by the manufacturer.

Safety Warnings

Related warnings for using



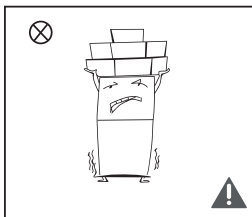
- Do not arbitrarily disassemble or reconstruct the refrigerator, nor damage the refrigerant circuit; maintenance of the appliance must be conducted by a specialist.
- Damaged power cord must be replaced by the manufacturer, its maintenance department or related professionals in order to avoid danger.



- The gaps between refrigerator doors and between doors and refrigerator body are small, be noted not to put your hand in these areas to prevent from squeezing the finger. Please be gentle when open the refrigerator door to avoid falling articles.
- Do not pick foods or containers with wet hands in the freezing chamber when the refrigerator is running, especially metal containers in order to avoid frostbite.

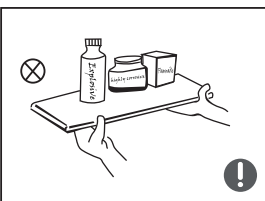


- Do not allow any child to get into or climb the refrigerator; otherwise suffocation or falling injury of the child may be caused.

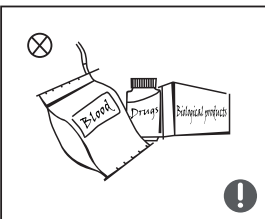


- Do not place heavy objects on the top of the refrigerator considering that objects may fall when open the door, and accidental injuries might be caused.
- Please pull out plug in case of power failure or cleaning. Do not connect the freezer to power supply within five minutes to prevent damages to the compressor due to successive starts.

Warnings related to placing items



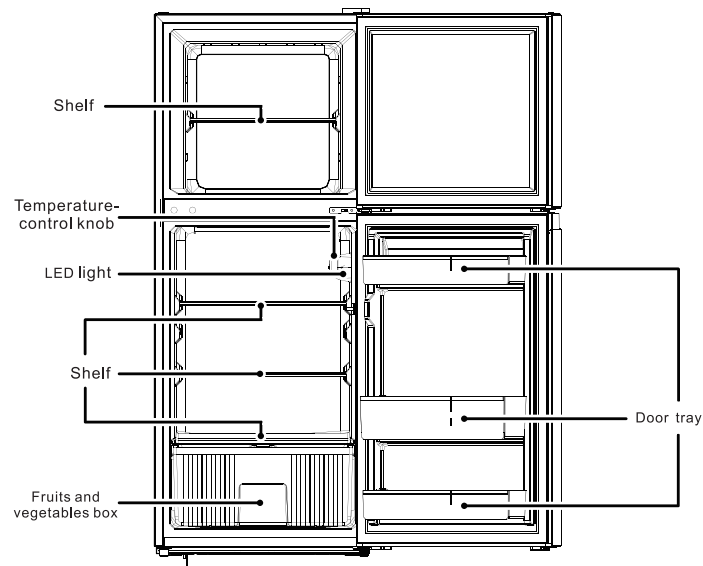
- Do not put flammable, explosive, volatile and highly corrosive items in the refrigerator to prevent damages to the product or fire accidents.
- Do not place flammable items near the refrigerator to avoid fires.



- The refrigerator is intended for household use, such as storage of foods; it shall not be used for other purposes, such as storage of blood, drugs or biological products, etc.

Structure and functions

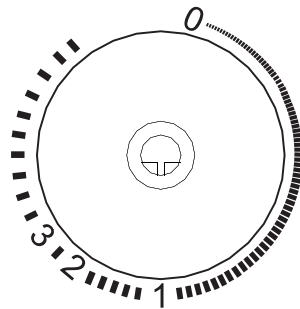
Components



Note: The picture above is only for reference. The actual configuration will depend on the physical product or statement by the distributor.

- The Refrigerating Chamber is suitable for storage of a variety of fruits, vegetables, beverages and other food consume in the short term.
- Cooking foods shall not be put in the refrigerating chamber until cooled to room temperature.
- Foods are recommended to be sealed up before putting into the refrigerator.
- The glass shelves can be adjusted up or down for a reasonable amount of storage space and easy use.

Functions

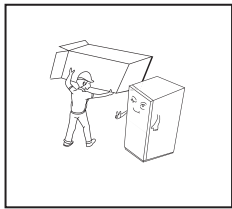


Note: The picture above is only for reference. The actual configuration will depend on the physical product or statement by the distributor.

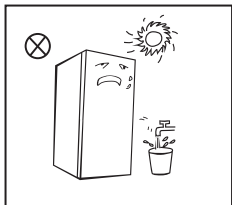
- Turn the temperature control knob to 3, the internal temperature of the refrigerator becomes lower.
- Turn the temperature control knob to 1, the internal temperature of the refrigerator becomes higher.
- The letters on the knob only represents the level, but does not mean the specific temperatures, The black silkscreen area outside the numbers can also be used to adjust the temperature, the "0" means stop working.
- Recommended gear: "2"

Proper use of refrigerator

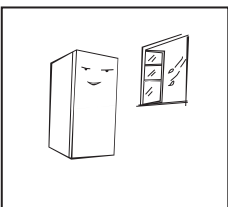
Placement



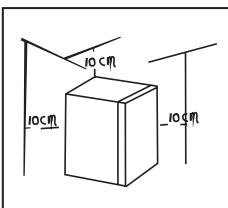
- Before using the refrigerator, remove all packaging materials including bottom cushions and foam pads and tapes inside the refrigerator, tear off the protective film on the door and the refrigerator body.



- Keep away from heat and avoid direct sunlight. Do not place the freezer in moist or watery places to prevent rust or reduction of insulating effect.
- Do not spray or wash the refrigerator; do not put the refrigerator in moist places easy to be splashed with water so as not to affect the electrical insulation properties of the refrigerator.



- The refrigerator is placed in a well-ventilated indoor place; the ground shall be flat, and sturdy (rotate left or right to adjust the wheel for levelling if unstable).



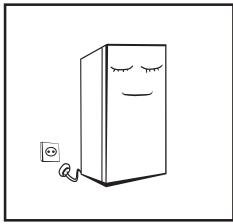
- The top space of the refrigerator shall be greater than 10cm, and the distances from both sides and backside shall be more than 10cm to facilitate heat dissipation.

Note: Precautions before installation

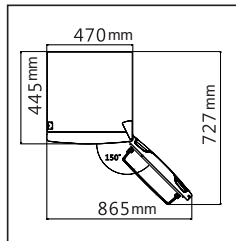
- Information in the Instruction Manual is only for reference. The physical product may differ. Before installation and adjusting of accessories, it shall be ensured that the refrigerator is disconnected from power.
- Precautions shall be taken to prevent fall of the handle from causing any personal injury.

Proper use of refrigerator

Start to use



- Before initial start, keep the refrigerator still for half an hour before connecting it to power supply.
- Before putting any fresh or frozen foods, the refrigerator shall have run for 2-3 hours, or for above 4 hours in summer when the ambient temperature is high.



- Spare enough space for convenient opening of the doors and drawers or statement by the distributor.

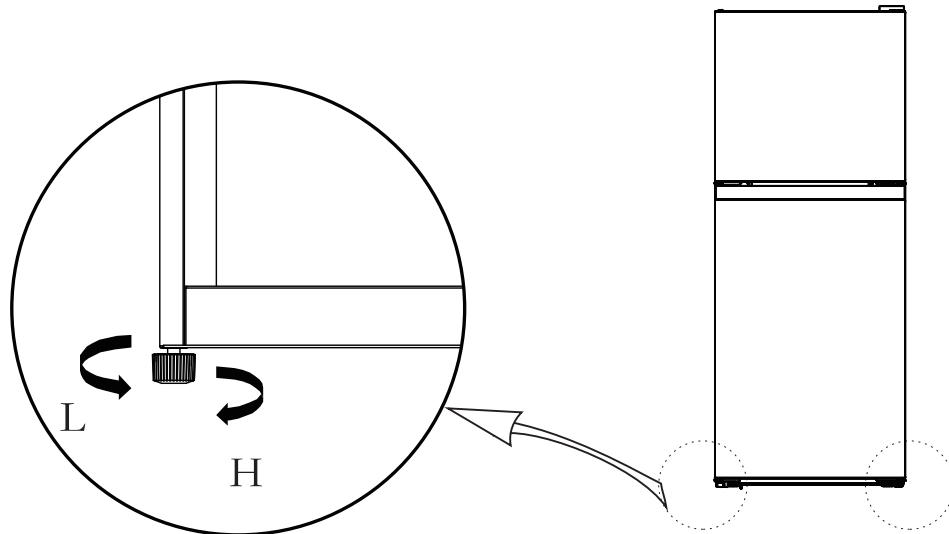
Energy saving tips

- The appliance should be located in the coolest area of the room, away from heat producing appliances or heating ducts, and out of the direct sunlight.
- Let hot foods cool to room temperature before placing in the appliance. Overloading the appliance forces the compressor to run longer. Foods that freeze too slowly may lose quality, or spoil.
- Be sure to wrap foods properly, and wipe containers dry before placing them in the appliance. This cuts down on frost build-up inside the appliance.
- Appliance storage bin should not be lined with aluminum foil, wax paper, or paper toweling. Liners interfere with cold air circulation, making the appliance less efficient.
- Organize and label food to reduce door openings and extended searches. Remove as many items as needed at one time, and close the door as soon as possible.

Proper use of refrigerator

Levelling feet

Schematic diagram of the leveling feet

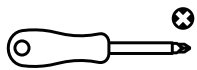


Note: The picture above is only for reference. The actual configuration will depend on the physical product or statement by the distributor.

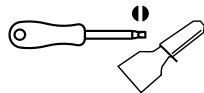
Adjusting procedures:

- Turn the feet clockwise to raise the refrigerator;
- Turn the feet counterclockwise to lower the refrigerator;
- Adjust the right and left feet based on the procedures above to a horizontal level.

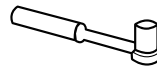
Door right-left change (Optional)



Philips screwdriver



Putty knife Thin-blade screwdriver



5/16" socket spanner



Masking tape

Parts to be used for door reverse

| SN | Parts | Quantity | Notes |
|----|-------------------|----------|--|
| A | Upper hinge | 1 | |
| B | Upper hinge cover | 1 | |
| C | Hole cover | 1 | |
| D | Right stopper | 2 | |
| E | Middle hinge | 1 | Pre-installed on the refrigerator and to be used when changing the door |
| F | Insert pin | 2 | |
| G | Right lower hinge | 1 | |
| H | Levelling feet | 1 | |
| I | Left stopper | 2 | In the attached plastic bag, take them out for use when door is reversed |
| J | Left lower hinge | 1 | |

HOMEDEPOT.COM

Please contact 1-855-847-7264 for further assistance.

Proper use of refrigerator

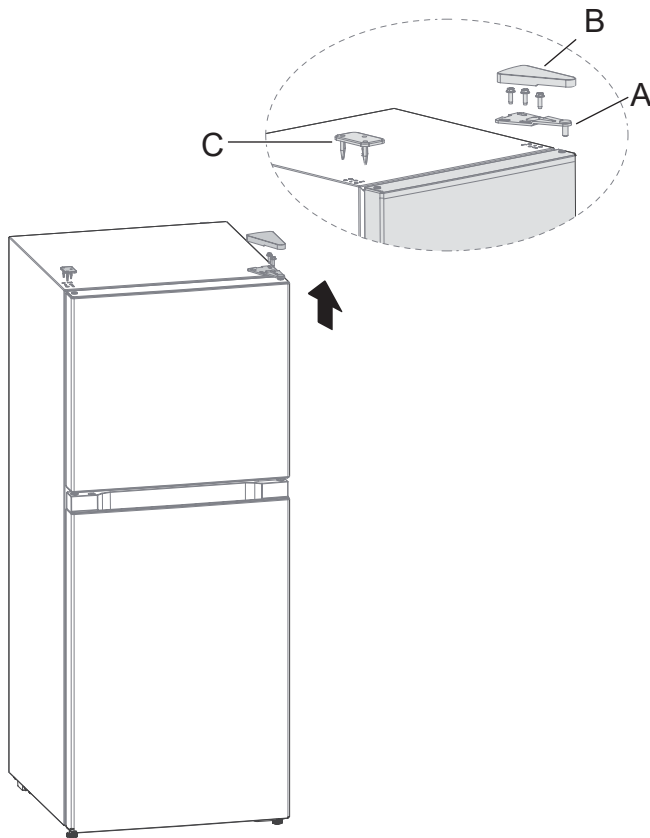
1



WARNING: Unplug the refrigerator from its electrical outlet. Empty all door shelves.

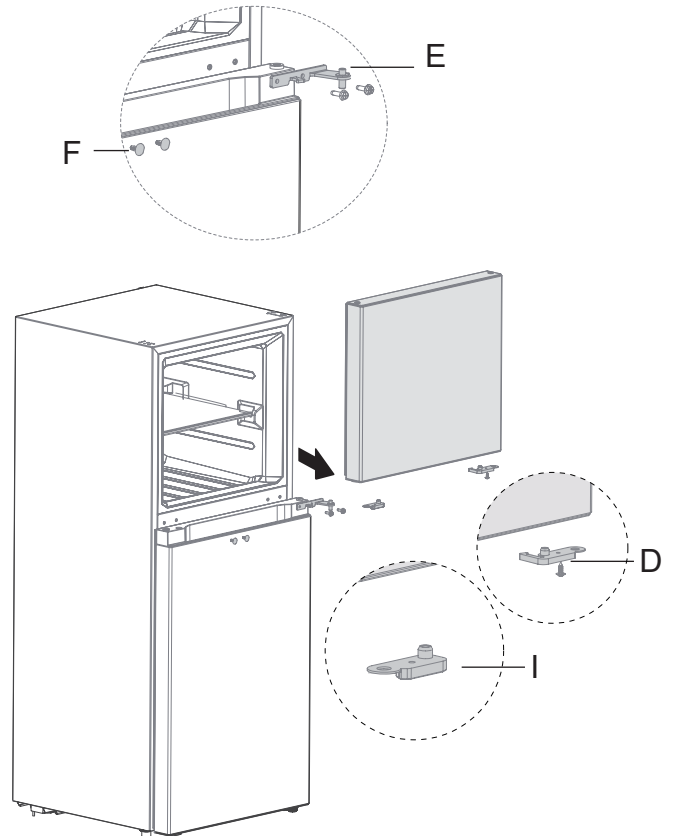
Power off the refrigerator, and remove all objects from the door trays.

Remove the hinge cover, then remove the upper hinge screws, upper hinge and hole cap on the other side.



2

Remove the freezer door, the middle hinge, the screw hole caps. Remove the screws and limit blocks fixed on the lower end cover of refrigeration.

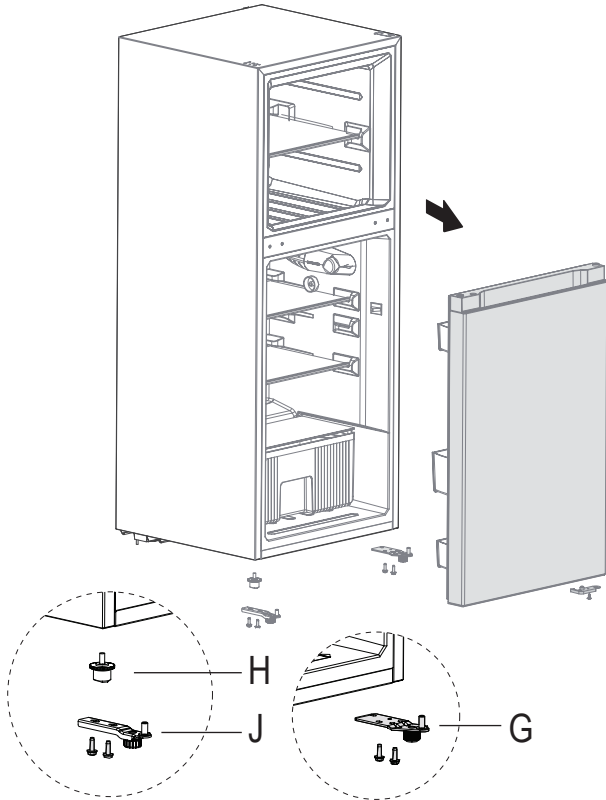


| Number | Name |
|--------|-------------------|
| A | Upper hinge |
| B | Upper hinge cover |
| C | Hole cover |
| D | Right stopper |
| E | Middle hinge |
| F | Insert pin |
| I | Left stopper |

Proper use of refrigerator

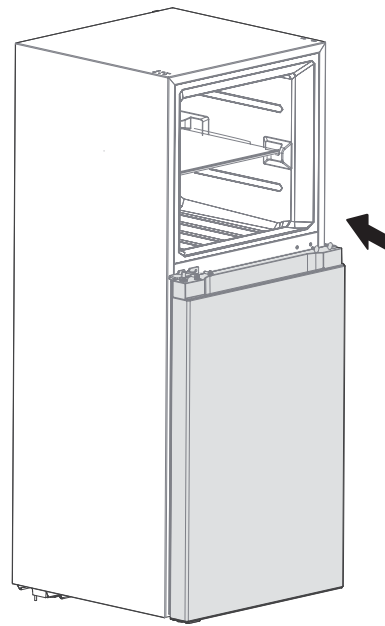
3

Remove the refrigerating door, remove the bottom hinge and adjustable foot of the other side. Install the adjusting foot to the right side, take out 2 limit blocks from the plastic bag in the instruction manual and fix them to the left side of the lower end cover respectively with screws, And freeze the left side of the lower end cover, remove the other side of the lower hinge from the instruction bag and install it on the left side.



4

Place the refrigerating door from top to bottom, take out the gasket from the plastic bag in the instructions and put it into the axle hole on the left side of the refrigerating door, as shown in the picture. Fix the center hinge with screws and install the studs.

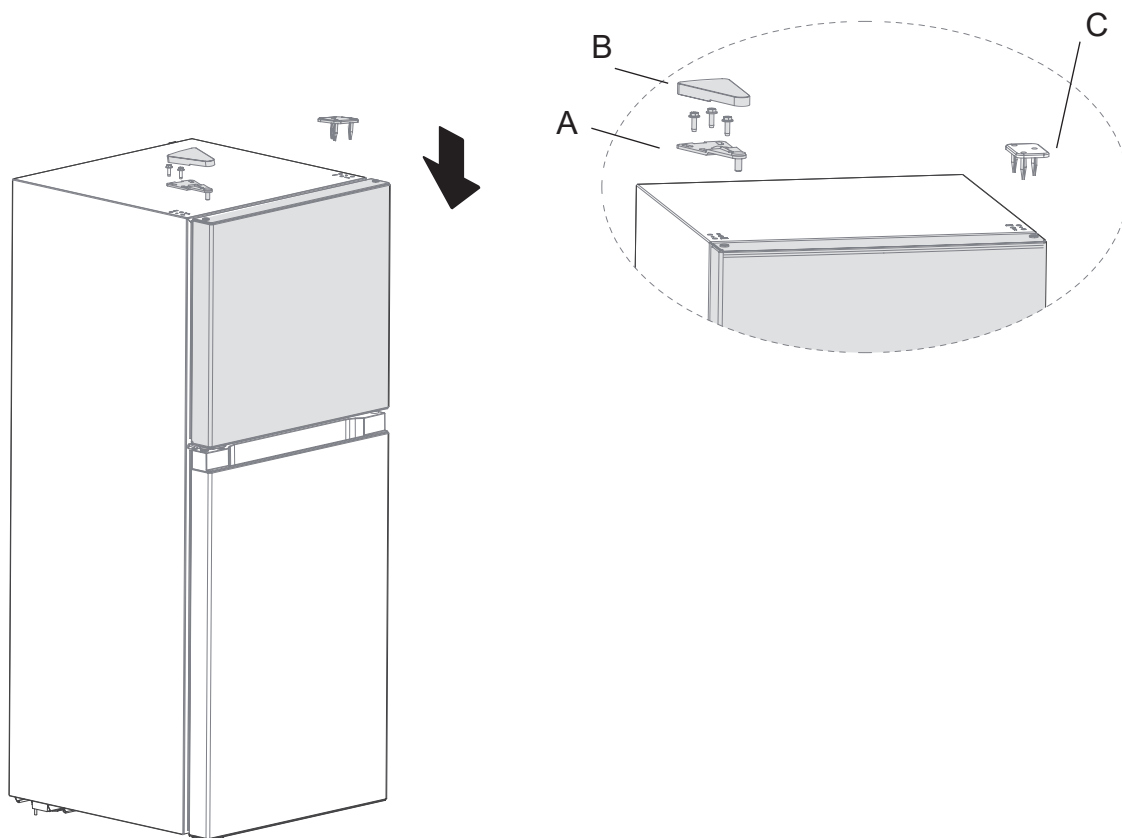


| Number | Name |
|--------|-------------------|
| G | Right lower hinge |
| H | Levelling feet |
| J | Left lower hinge |

Proper use of refrigerator

5

Put the freezer door on the middle hinge, assemble the upper hinge on the other side, fix the hinge cover on the upper hinge and fix hole cap on the other side.



| Number | Name |
|--------|-------------------|
| A | Upper hinge |
| B | Upper hinge cover |
| C | Hole cover |

Maintenance and care

Cleaning

- Dusts behind the refrigerator and on the ground shall be timely cleaned to improve the cooling effect and energy saving.
- Check the door gasket regularly to make sure there are no debris. Clean the door gasket with a soft cloth dampened with soapy water or diluted detergent.
- The interior of the refrigerator should be cleaned regularly to avoid odor.
- Please turn off the power before cleaning interior, remove all foods, drinks, shelves, drawers, etc.
- Use a soft cloth or sponge to clean the inside of the refrigerator with two tablespoons of baking soda and a quart of warm water. Then rinse with water and wipe clean. After cleaning, open the door and let it dry naturally before turning on the power.
- For areas that are difficult to clean in the refrigerator (such as narrow sandwiches, gaps or corners), it is recommended to wipe them regularly with a soft rag, soft brush, etc. and when necessary, combined with some auxiliary tools (such as thin sticks) to ensure no contaminants or bacterial accumulation in these areas.
- Do not use soap, detergent, scrub powder, spray cleaner, etc., as these may cause odors in the interior of the refrigerator or contaminated food.
- Clean the bottle frame, shelves, and drawers with a soft cloth dampened with soapy water or diluted detergent. Dry with a soft cloth or dry naturally.
- Wipe the outer surface of the refrigerator with a soft cloth dampened with soapy water, detergent, etc. and then wipe dry.
- Do not use hard brushes, clean steel balls, wire brushes, abrasives (such as toothpastes), organic solvents (such as alcohol, acetone, banana oil, etc.), boiling water, acid, or alkaline items, which may damage the surface and interior. Boiling water and organic solvents such as benzene may deform or damage plastic parts.
- Do not rinse directly with water or other liquids during cleaning to avoid short circuits or affect electrical insulation after immersion.



Please unplug the refrigerator for defrost and cleaning.

Stop using

- **Power failure:** In case of power failure, even if it is in summer, foods inside the appliance can be kept for several hours; during the power failure, the times of door opening shall be reduced, and no more fresh food shall be put into the appliance.
- **Long-time nonuse:** The appliance shall be unplugged and then cleaned; then the doors are left open to prevent odor.
- **Moving:** Before the refrigerator is moved, take all objects inside out, fix the shelves and crisper, freezing chamber drawers, and etc. with tape and tighten the leveling feet; close the doors and fix them with tape. During moving, the appliance shall not be laid upside down or horizontally, or be vibrated; the inclination during movement shall be no more than 45°. Do not hold the door and hinge when moving this unit.



The appliance shall run continuously once it is started. Generally, the operation of the appliance shall not be interrupted; otherwise the service life may be impaired.

HOMEDEPOT.COM

Please contact 1-855-847-7264 for further assistance.

Trouble shooting

You may try to solve the following simple problems by yourself. If they cannot be solved, please contact the after-sales department.

| | |
|--|--|
| Failed operation | <p>Check whether the appliance is connected to power or whether the plug is in well contact</p> <p>Check whether the voltage is too low</p> <p>Check whether there is a power failure or partial circuits have tripped</p> |
| Odor | <p>Odorous foods shall be tightly wrapped</p> <p>Check whether there is any rotten food</p> <p>Clean the inside of the refrigerator</p> |
| Long-time operation of the compressor | <p>Long operation of the refrigerator is normal in summer</p> <p>When the ambient temperature is high It is not suggestible having too much food in the appliance at the same time</p> <p>Food shall get cool before being put into the appliance</p> <p>The doors are opened too frequently</p> |
| Light fails to get lit | <p>Check whether the refrigerator is connected to power supply and whether the illuminating light is damaged</p> <p>Have the light replaced by a specialist</p> |
| Door can not be properly closed | <p>The door is stuck by food packages Too much food is placed</p> <p>The refrigerator is tilted.</p> |
| Loud noises | <p>Check whether the floor is level and whether the refrigerator is placed stably</p> <p>Check whether accessories are placed at proper locations.</p> |
| Door seal fails to be tight | <p>Remove foreign matters on the door seal</p> <p>Heat the door seal and then cool it for restoration (or blow it with an electrical drier or use a hot towel for heating)</p> |
| Water pan overflows | <p>There is too much food in the chamber or food stored contains too much water, resulting in heavy defrosting.</p> <p>The doors are not closed properly, resulting in frosting due to entry of air and increased water due to defrosting.</p> |

Trouble shooting

| | |
|-----------------------------|---|
| Hot housing | Heat dissipation of the built-in condenser via the housing, which is normal. When housing becomes hot due to high ambient temperature, storage of too much food or shutdown of the compressor is shut down, provide sound ventilation to facilitate heat dissipation. |
| Surface condensation | Condensation on the exterior surface and door seals of the refrigerator is normal when the ambient humidity is too high. Just wipe the condensate with a clean towel. |
| Abnormal noise | Buzz: The compressor may produce buzzes during operation, and the buzzes are loud particularly upon start or stop. This is normal. Creak: Refrigerant flowing inside of the appliance may produce creak, which is normal. |

Warranty

REFRIGERATOR LIMITED WARRANTY

Your product is protected by this Limited Warranty:

Warranty service must be obtained from VISSANI Consumer Services or an authorized VISSANI servicer.

Warranty

- One year Limited Warranty from original purchase date.

VISSANI, through its authorized servicers will:

- Pay all costs for repairing or replacing parts of this appliance which prove to be defective in materials or workmanship.

Consumer will be responsible for:

- Diagnostics, removal, transportation and reinstallation cost required because of service.
- Costs of service calls that are a result of items listed under NORMAL RESPONSIBILITIES OF THE CONSUMER**

VISSANI replacement parts shall be used and will be warranted only for the period remaining on the original warranty.

NORMAL RESPONSIBILITIES OF THE CONSUMER**

This warranty applies only to products in ordinary household use, and the consumer is responsible for the items listed below:

1. Proper use of the appliance in accordance with instructions provided with the product.
2. Routine maintenance and cleaning necessary to keep the good working condition.
3. Proper installation by an authorized service professional in accordance with instructions provided with the appliance and in accordance with all local plumbing, electrical and / or gas codes.
4. Proper connection to a grounded power supply of sufficient voltage, replacement of blown fuses, repair of loosened connections or defects in house wiring.
5. Expenses for making the appliance accessible for servicing.
6. Damages to finish after installation.

EXCLUSIONS

This warranty does not cover the following:

1. Failure caused by damage to the unit while in your possession (other than damage caused by defect or malfunction), by its improper installation, or by unreasonable use of the product, including without limitation, failure to provide reasonable and necessary maintenance or to follow the written Installation and Operating Instructions.
2. Products purchased "as-is" or refurbished are not covered by this warranty.
3. Food loss caused by refrigerator or freezer failure.
4. Service calls to repair or replace consumables such as water filters, light bulbs air filters etc., or handles, knobs and other cosmetic parts.
5. Product that has been transferred from its original owner.
6. Interior or exterior rust on the unit.
7. Damages caused by services performed by persons other than authorized VISSANI servicers; use of parts other than VISSANI replacement parts; obtained from persons other than such VISSANI customer service; or external causes such as abuse, misuse, inadequate power supply or acts of God.
8. Service calls resulting from improper installation of your product.
9. Service calls to instruct you on the use of your product.
10. Surcharges including, but not limited to, any after hour, weekend, or holiday service calls, tolls, ferry trip charges, or mileage expense for service calls to remote areas, including the state of Alaska.
11. If the unit is put to commercial, business, rental, or other use or application other than for consumer use, we make no warranties, express or implied, including but not limited to, any implied warranty of merchantability or fitness for particular use or purpose.
12. Product that has been removed outside the USA or Canada.
13. Products without original serial numbers or products that have serial numbers which have been altered or cannot be readily determined.

NOTICE: Some states do not allow the exclusion or limitation of incidental or consequential damages. So this limitation or exclusion may not apply to you.

Warranty

IF YOU NEED SERVICE

Keep your bill of sale, delivery slip, or some other appropriate payment record. Should service be required, the date on the bill establishes the warranty period commencement date.

If service is performed, it is in your best interest to obtain and keep all receipts.

This written warranty gives you specific legal rights. You may also have other rights that vary from state to state.

Service under this warranty must be obtained by:

Contact the Customer Service Team at 1-855-847-7264.

HOMEDEPOT.COM

Please contact 1-855-847-7264 for further assistance.

VISSANI™

Questions, problems, missing parts? Before returning to the store, call
VISSANI Customer Service
Mon-Fri 8:00 AM to 8:00 PM (EST) , Saturday 8:00 AM to 6:00 PM (EST)

1-855-847-7264

HOMEDEPOT.COM

Retain this manual for future use.

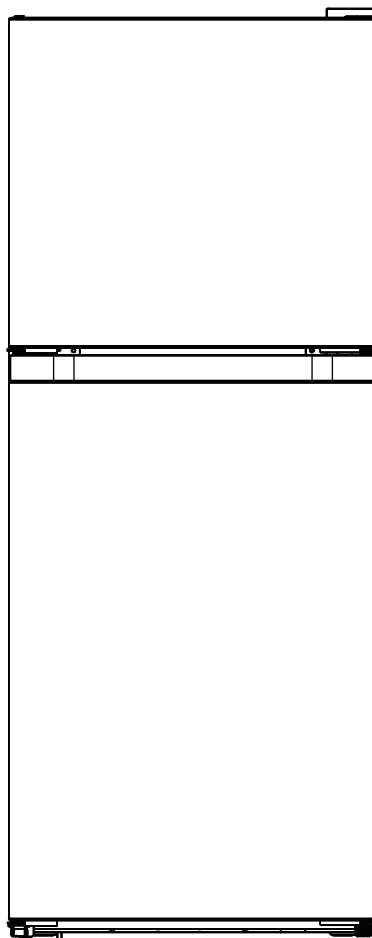
VISSANI™

SKU # 1014392792
Modelo # MDCM45BK5
SKU # 1014392793
Modelo # MDCM45WH5
SKU # 1010743786
Modelo # MDCM45SS5

GUÍA DE USO Y CUIDADO

INSTRUCCIONES DE INSTALACIÓN

FRIGORÍFICO DE 4,5 PIES CÚBICOS



¿Preguntas, problemas, piezas faltantes? Antes de devolver a la tienda, póngase en contacto con el servicio de atención al cliente de VISSANI
Lunes a viernes de 8:00 a. m. a 8:00 p. m. (EST) , sábados de 8:00 a. m. a 6:00 p. m. (EST)

1-855-847-7264

HOMEDEPOT.COM

GRACIAS

Agradecemos la confianza que ha depositado en Vissani a través de la compra de este refrigerador. Nos esforzamos continuamente por crear productos de calidad diseñados para mejorar su hogar. Visítenos en línea para ver nuestra línea completa de productos disponibles para sus necesidades de mejoras para el hogar. ¡Gracias por elegir Vissani!

Contenido

| | | | |
|---|-------------|---|--------------|
| Advertencias de seguridad | 2-5 | Pies de nivelación | 9 |
| ADVERTENCIAS | 2 | Cambio de la puerta de derecha a izquierda (Opcional).. | 9 |
| Advertencias de energía | 3 | Mantenimiento y cuidado | 13 |
| Advertencias sobre los desechos | 4 | Limpieza | 13 |
| Advertencias relacionadas con la electricidad | 4 | No use | 13 |
| Advertencias relacionadas con el uso | 5 | Solución de problemas | 14-15 |
| Advertencias sobre la colocación de elementos | 5 | GARANTÍA | 16-17 |
| Estructura y funciones | 6 | | |
| Componentes | 6 | | |
| Funciones | 6 | | |
| Uso adecuado del refrigerador | 7-12 | | |
| Colocación | 7 | | |
| Empiece a usar el producto | 8 | | |
| Consejos de ahorro de energía | 8 | | |

Advertencias de seguridad

ADVERTENCIAS



ADVERTENCIA: Riesgo de incendio/materiales inflamables

- Este electrodoméstico está diseñado para ser utilizado en el hogar y aplicaciones similares, tales como áreas de cocina para el personal en tiendas, oficinas y otros entornos de trabajo; casas de campo y por clientes en hoteles, moteles y otros entornos de tipo residencial; ambientes tipo alojamiento con desayuno; servicios de comidas y aplicaciones similares que no sean comercios.
- Este electrodoméstico no está diseñado para que lo usen personas (incluidos niños) con capacidades físicas, sensoriales o mentales reducidas, o con falta de experiencia y conocimientos, a menos que una persona responsable de su seguridad les haya supervisado o instruido sobre el uso del electrodoméstico.
- Los niños deben supervisarse para asegurarse de que no jueguen con el aparato.
- Si el cable de alimentación está dañado, solo el fabricante, su agente de servicio o un técnico calificado debe reemplazarlo para evitar riesgos de seguridad.
- **NO** guarde sustancias explosivas como aerosoles con propelente inflamable en este aparato.
- El aparato debe desenchufarse después de su uso y antes de que el usuario realice tareas de mantenimiento en él.
- **ADVERTENCIA:** Mantenga las ranuras de ventilación, en la carcasa del aparato o en la estructura integrada, libres de cualquier obstrucción.
- **ADVERTENCIA:** No use dispositivos mecánicos u otros medios para acelerar el proceso de descongelación, salvo aquellos recomendados por el fabricante.
- **ADVERTENCIA:** No dañe el circuito del refrigerante.
- **ADVERTENCIA:** No use aparatos eléctricos dentro de los compartimentos de almacenamiento de alimentos del aparato salvo que sean del tipo recomendado por el fabricante.
- **ADVERTENCIA:** Abandone el refrigerador conforme a la normativa local respecto al uso de gas soplado inflamable y refrigerante.

Advertencias de seguridad

- **ADVERTENCIA:** Cuando coloque el aparato, asegúrese de que el cable de alimentación no quede atrapado o dañado.
- **ADVERTENCIA:** No coloque múltiples salidas de tomas portátiles o alimentaciones portátiles en la parte posterior del aparato.
- **NO** use cables de extensión o adaptadores sin toma a tierra (dos clavijas).
- **ADVERTENCIA:** Riesgo de atrapamiento infantil. Antes de que retire su viejo refrigerador o congelador:
 - Quite las puertas.
 - Deje los estantes en su lugar de forma que los niños no puedan subirse el interior con facilidad.
- Se debe desconectar el refrigerador de la fuente de alimentación eléctrica antes de intentar la instalación de accesorios.
- El refrigerante y el material de la espuma de ciclopentano usados en el aparato son inflamables. Por lo tanto, cuando se deseché el refrigerador, debe mantenerse alejado de cualquier fuente de fuego y ser recuperado por una empresa de recuperación especial con la cualificación correspondiente en lugar de eliminarse por medio de combustión para evitar daños al medioambiente o cualquier otro daño.
- El refrigerante y el material de espuma de ciclopentano que se utiliza para el aparato son inflamables. Por lo que, cuando el aparato se deseché, deberá mantenerse alejado de cualquier fuente de fuego y ser recuperado por una empresa de recuperación especial con la calificación correspondiente distinta de la eliminación por combustión, para evitar deterioro del medio ambiente o cualquier otro perjuicio.
- Resulta necesario que, en el caso de puertas o tapas equipadas con cerraduras y llaves, éstas se mantengan fuera del alcance de los niños y no cerca del aparato de refrigeración, para evitar que los niños se queden encerrados en su interior.
- **ADVERTENCIA:** Para evitar riesgos debido a la inestabilidad del aparato, debe fijarse conforme a las instrucciones.

Advertencias de energía

1. Los aparatos de refrigeración puede que no operen de forma consistente (posibilidad de descongelar los contenidos o de que la temperatura sea demasiado cálida en el compartimento de alimentos congelados) cuando se colocan durante un periodo prolongado de tiempo por debajo del extremo frío de la gama de temperaturas para las que está diseñado el aparato de refrigeración.
2. El hecho de que las bebidas efervescentes no deben almacenarse en los compartimientos de congelación de alimentos, y que algunos productos, como el agua helada, no debe consumirse demasiado fría;
3. No debe excederse el tiempo de almacenamiento recomendado por los fabricantes de alimentos para cualquier tipo de alimento y en particular para los alimentos comercialmente congelados rápidamente en el congelador;
4. Las precauciones necesarias para prevenir un aumento indebido de la temperatura de los alimentos congelados mientras se descongela el aparato de refrigeración, como envolver los alimentos congelados en varias capas de papel de periódico.
5. El hecho de que un aumento en la temperatura de los alimentos congelados durante la descongelación manual, mantenimiento o limpieza puede acortar la vida de almacenamiento.
6. Resulta necesario que, en el caso de puertas o tapas equipadas con cerraduras y llaves, éstas se mantengan fuera del alcance de los niños y no cerca del aparato de refrigeración, para evitar que los niños se queden encerrados en su interior.

Advertencias de seguridad

Advertencias sobre los desechos



El refrigerante y el material de espuma de ciclopentano usados para el refrigerador son inflamables. Por lo que, cuando el aparato se deseché, deberá mantenerse alejado de cualquier fuente de fuego y ser recuperado por una empresa de recuperación especial con la calificación correspondiente distinta de la eliminación por combustión, para evitar deterioro del medio ambiente o cualquier otro perjuicio.



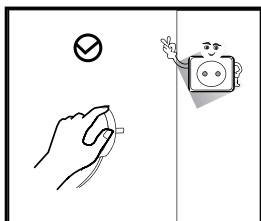
Cuando se deseché el refrigerador, desmonte las puertas y retire la junta de las puertas y estanterías; coloque las puertas y estanterías en un lugar adecuado para evitar que los niños queden atrapados.



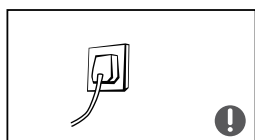
Eliminación correcta de este producto:

Esta marca indica que este producto no debe desecharse junto con otros desechos domésticos. Para evitar posibles daños al medio ambiente o a la salud humana por la eliminación no controlada de desechos, se debe reciclar de manera responsable para promover la reutilización sostenible de los recursos materiales. Para devolver su dispositivo usado, utilice los sistemas de devolución y recogida o póngase en contacto con el establecimiento donde adquirió el producto. Pueden reciclar este producto de forma segura para el medio ambiente

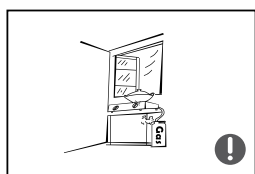
Advertencias relacionadas con la electricidad



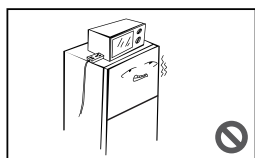
- No tire del cable de alimentación cuando conecte el cable de alimentación del refrigerador. Agarre con fuerza el enchufe y extráigalo de la toma directamente.
- Para garantizar un uso seguro, no dañe el cable de alimentación ni lo utilice cuando esté dañado o desgastado.



- Por favor, utilice un tomacorriente dedicado y no lo comparta con otros aparatos eléctricos. El cable de alimentación debe estar firmemente conectado al tomacorriente, de lo contrario podrían producirse incendios.
- Asegúrese de que el electrodo a tierra de la toma de alimentación está equipado con una línea a tierra segura.



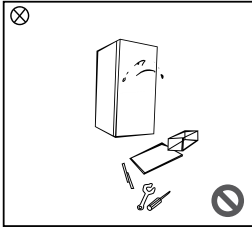
- Apague la válvula del gas que se filtra y después abra las puertas y ventanas en caso de fuga de gas o de otros gases inflamables. No desenchufe el refrigerador u otros aparatos eléctricos considerando que una chispa puede provocar un incendio.



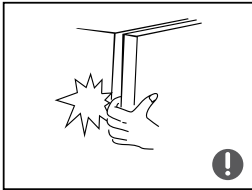
- No use aparatos eléctricos en la parte superior del electrodoméstico salvo que sean del tipo recomendado por el fabricante.

Advertencias de seguridad

Advertencias relacionadas con el uso



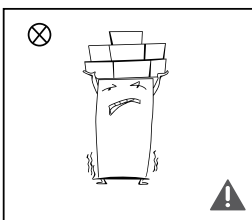
- No desmonte o reconstruya arbitrariamente el refrigerador ni dañe el circuito del refrigerante; un especialista debe realizar el mantenimiento del aparato.
- El fabricante, su departamento de mantenimiento o profesionales relacionados deben reemplazar el cable de alimentación cuando se dañe, para evitar cualquier peligro.



- Los espacios entre las puertas del refrigerador y entre las puertas y la carcasa del refrigerador son pequeños; tenga cuidado en no poner las manos en esta zona para evitar aprisionarse los dedos. Por favor, tenga cuidado al abrir la puerta del refrigerador para evitar que se caigan los alimentos.
- No coja alimentos o recipientes con las manos húmedas en la cámara de congelación cuando el refrigerador esté en funcionamiento, en especial recipientes metálicos, para evitar congelaciones.

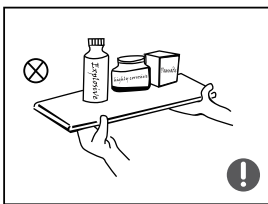


- No permita que ningún niño se introduzca en el refrigerador o se suba a él; de lo contrario, podría asfixiarse o sufrir lesiones causadas por caídas.

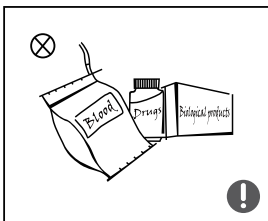


- No coloque objetos pesados en la parte superior del refrigerador, ya que al abrir la puerta pueden caer y causar lesiones.
- Por favor, desconecte el enchufe en caso de corte de corriente o limpieza. Espere cinco minutos antes de conectar el refrigerador a la alimentación para evitar daños al compresor debido a arranques sucesivos.

Advertencias sobre la colocación de elementos



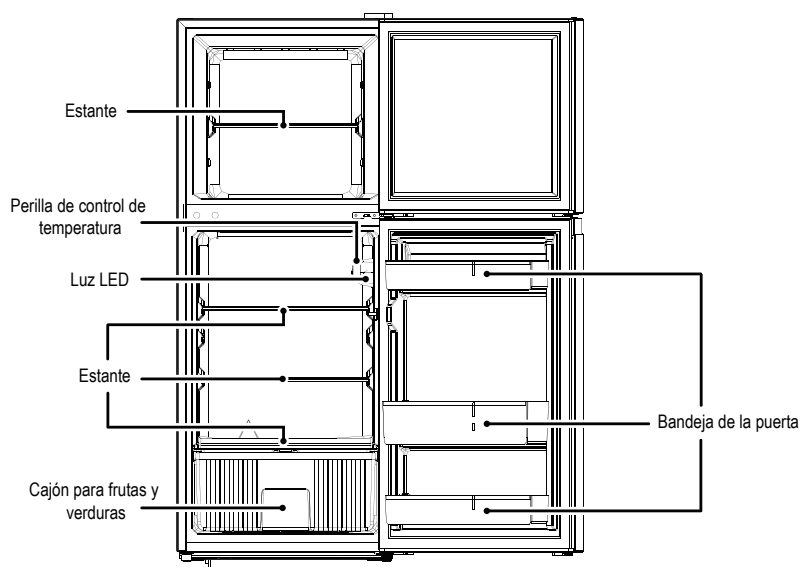
- No coloque artículos inflamables, explosivos, volátiles o altamente corrosivos en el refrigerador para evitar daños al producto o accidentes por fuego.
- No coloque artículos inflamables cerca del refrigerador para evitar incendios.



- El refrigerador está diseñado únicamente para el uso doméstico, como para el almacenamiento de alimentos; no debe usarse para otra finalidad, como el almacenamiento de sangre, fármacos o productos biológicos, etc.

Estructura y funciones

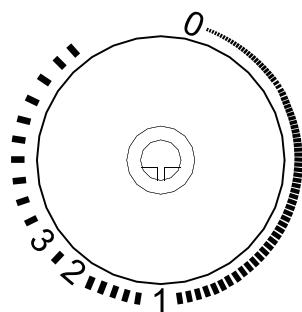
Componentes



Nota: La imagen que aparece arriba solo es de referencia. La configuración real dependerá del producto físico o declaración por parte del distribuidor.

- La cámara de refrigeración es apta para el almacenamiento de una amplia variedad de frutas, verduras, bebidas y otros alimentos consumidos a corto plazo.
- No se deben colocar alimentos cocinados en la cámara del congelador hasta que no estén refrigerados a temperatura ambiente.
- Se recomienda que los alimentos se sellen antes de ponerlos en el congelador.
- Se pueden ajustar las estanterías puede ajustarse arriba o abajo para disponer de una cantidad razonable de espacio de almacenamiento y facilidad de uso.

Funciones

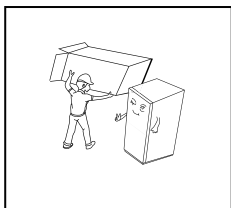


Nota: La imagen que aparece arriba solo es de referencia. La configuración real dependerá del producto físico o declaración por parte del distribuidor.

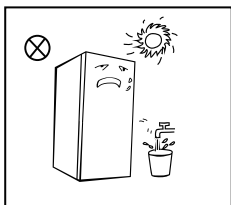
- Gire la perilla de control de temperatura a la posición 3, la temperatura interna del refrigerador disminuirá.
- Gire la perilla de control de temperatura a la posición 1, la temperatura interna del refrigerador aumentará.
- La letra en la perilla solo representa el nivel, pero no indica una temperatura específica. El área serigrafiada en negro fuera de los números también se puede usar para ajustar la temperatura. El "0" significa dejar de funcionar.
- Marcha recomendada: "2"

Uso adecuado del refrigerador

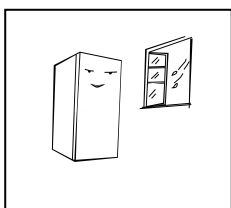
Colocación



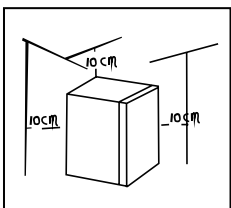
- Antes de usar el refrigerador, retire todos los materiales de embalaje, incluyendo los cojines inferiores, las almohadillas de espuma y las cintas adhesivas del interior del refrigerador, retire la película protectora de la puerta y el cuerpo del refrigerador.



- Manténgalo alejado del calor y evite la luz solar directa. No coloque el congelador en espacios húmedos o con agua para prevenir el óxido o la reducción del efecto de aislamiento.
- No pulverice o lave el refrigerador; no coloque el refrigerador en espacios húmedos donde sea fácil salpicarlo con agua para no afectar a las propiedades aislantes eléctricas del refrigerador.



- El refrigerador debe colocarse en un espacio interior bien ventilado; el piso debe ser plano y robusto (gírelo a la izquierda o derecha para ajustar las ruedas para nivelar si es inestable).



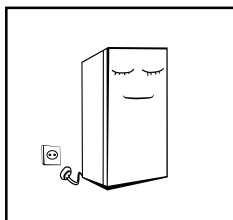
- El espacio sobre su refrigerador debe ser de al menos 10 cm, y las distancias desde ambos lados y la parte trasera deben ser mayores a 10 cm para facilitar la disipación del calor.

Nota: Precauciones antes de la instalación

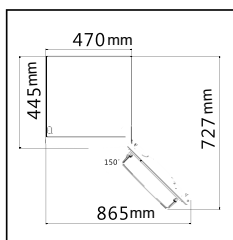
- La información en el Manual de Instrucciones es solo para referencia. El producto físico puede ser diferente. Antes de la instalación o ajuste de los accesorios, debe asegurarse de que el refrigerador esté desconectado de la energía.
- Se deben tomar precauciones para evitar que la caída del asa cause cualquier lesión personal.

Uso adecuado del refrigerador

Empiece a usar el producto



- Antes del encendido inicial, mantenga el refrigerador inmóvil durante media hora antes de conectarlo a la fuente de alimentación.
- Antes de colocar cualquier alimento fresco o congelado, el refrigerador debe haber funcionado durante 2-3 horas, o durante más de 4 horas en verano cuando la temperatura ambiente es alta.



- Deje suficiente espacio libre para la cómoda apertura de las puertas y bandejas o según la solicitud del distribuidor.

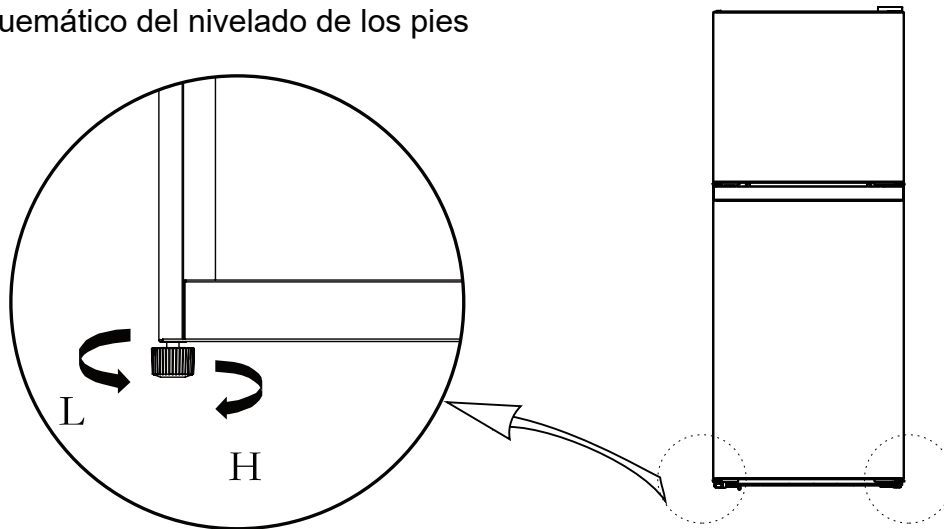
Consejos de ahorro de energía

- El aparato debe ubicarse en la zona más fresca del espacio, alejado del calor que produzcan aparatos o ductos de calefacción y alejado de la luz solar directa.
- Deje que los alimentos calientes se enfrien a temperatura ambiente antes de colocarlos en el aparato. Sobrecargar el aparato fuerza al compresor a funcionar durante más tiempo. Los alimentos que se congelan muy lentamente pueden perder calidad o estropearse.
- Asegúrese de envolver adecuadamente los alimentos y secar los recipientes antes de colocarlos en el aparato. Esto disminuye la acumulación de hielo dentro del aparato.
- La cesta de almacenamiento del aparato no debe revestirse de papel de aluminio, papel de cera o toallitas de papel. Los revestimientos interfieren con la circulación del aire frío, haciendo que el aparato sea menos eficiente.
- Organice y etiquete los alimentos para reducir las aperturas de la puerta y búsquedas prolongadas. Retire tantos artículos como necesite de una vez y cierre la puerta a la mayor brevedad posible.

Uso adecuado del refrigerador

Pies de nivelación

Diagrama esquemático del nivelado de los pies

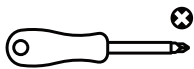


Nota: La imagen que aparece arriba solo es de referencia. La configuración real dependerá del producto físico o declaración por parte del distribuidor.

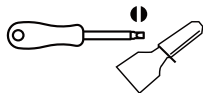
Procedimientos de ajuste:

- Gire los pies en sentido horario para subir el refrigerador;
- Gire los pies en sentido antihorario para bajar el refrigerador;
- Ajuste los pies derecho e izquierdo basándose en los procedimientos que aparecen arriba para alcanzar el nivel horizontal.

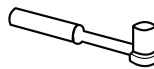
Cambio de la puerta de derecha a izquierda (Opcional)



Destornillador de estrella



Destornillador de cabeza plana tipo espátula



Llave de dados de 5/16"



Cinta adhesiva

| Piezas a usar para dar la vuelta a la puerta | | | |
|--|-----------------------------|----------|--|
| SN | Piezas | Cantidad | Notas |
| A | Bisagra superior | 1 | Preinstalado en el refrigerador y debe usarse cuando se cambie la puerta. |
| B | Tapa de la bisagra superior | 1 | |
| C | Cubierta del orificio | 1 | |
| D | Tapón derecho | 2 | |
| E | Bisagra intermedia | 1 | |
| F | Inserte el pasador | 2 | |
| G | Bisagra inferior derecha | 1 | En la bolsa de plástico adjunta, sáquelos para usarlos cuando la puerta esté invertida |
| H | Pies de nivelación | 1 | |
| I | Tope izquierdo | 2 | |
| J | Bisagra inferior izquierda | 1 | |

HOMEDPOT.COM
Póngase en contacto con el 1-855-847-7264 para obtener más ayuda.

Uso adecuado del refrigerador

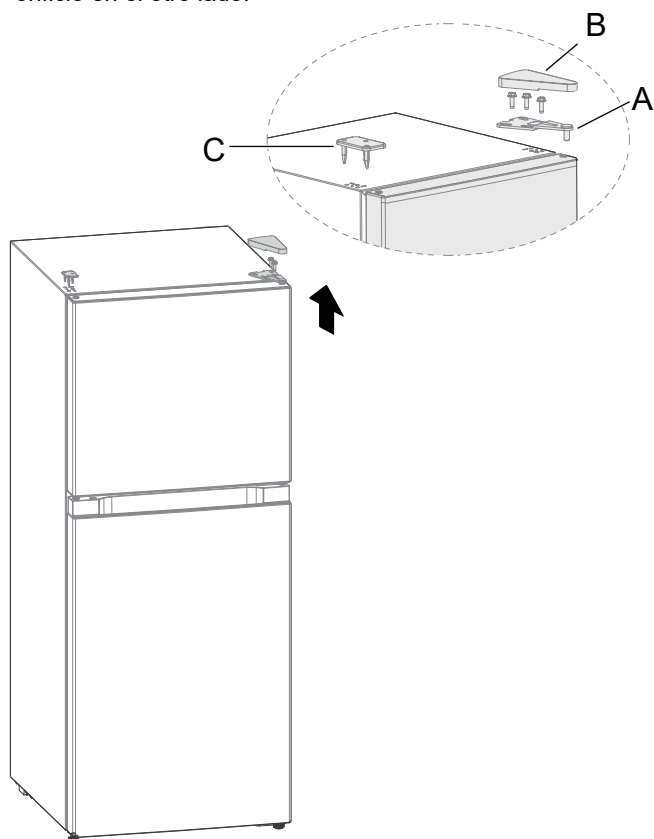
1



ADVERTENCIA: Desconecte el refrigerador del tomacorriente. Vacíe todos los estantes de las puertas.

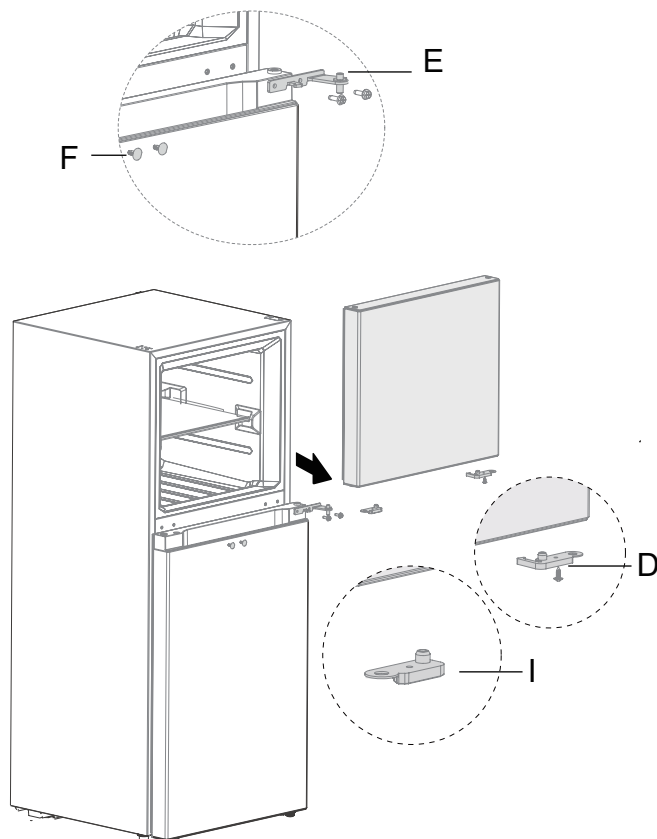
Desconecte el refrigerador y retire todos los objetos de las bandejas de la puerta.

Retire la cubierta de la bisagra y, a continuación, retire los tornillos de la bisagra superior, la bisagra superior y el tapón del orificio en el otro lado.



2

Retire la puerta del refrigerador, la bisagra central y los tapones de orificios. Retire los tornillos y los bloques de amortiguación fijados en la cubierta inferior del refrigerador.



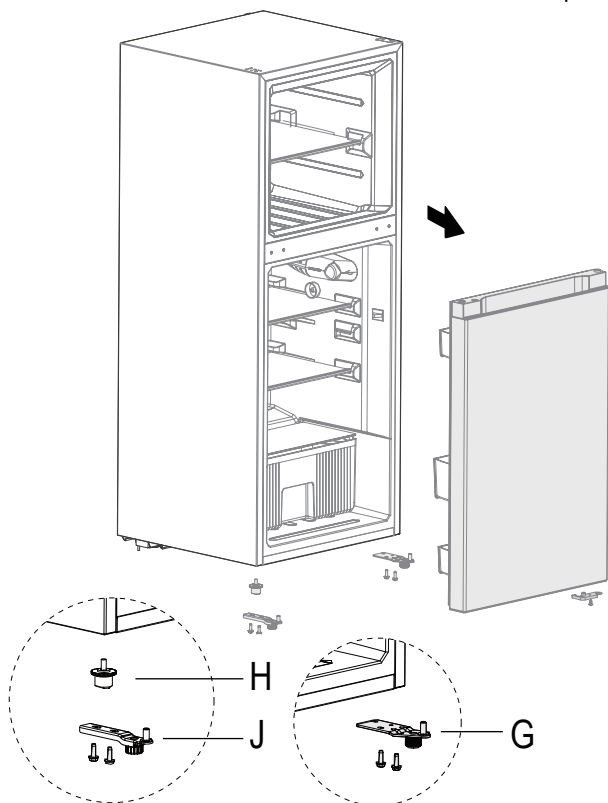
| Número | Nombre |
|--------|-----------------------------|
| A | Bisagra superior |
| B | Tapa de la bisagra superior |
| C | Cubierta del orificio |
| D | Tapón derecho |
| E | Bisagra intermedia |
| F | Inserte el pasador |
| I | Tope izquierdo |

Uso adecuado del refrigerador

3

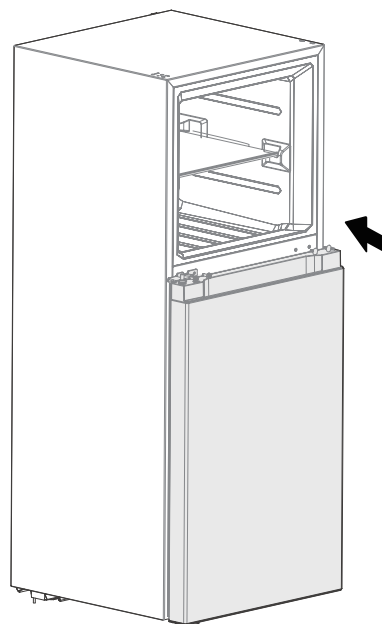
Retire la puerta del refrigerador, retire la bisagra inferior y el pie ajustable del otro lado.

Instale el pie de ajuste en el lado derecho, saque 2 bloques de límite de la bolsa de plástico del manual de instrucciones y fíjelos al lado izquierdo de la cubierta del extremo inferior respectivamente con tornillos, y retire el pasador del lado izquierdo del congelador, saque el otro lado de la bisagra inferior de la bolsa de instrucciones e instálela en el lado izquierdo.



4

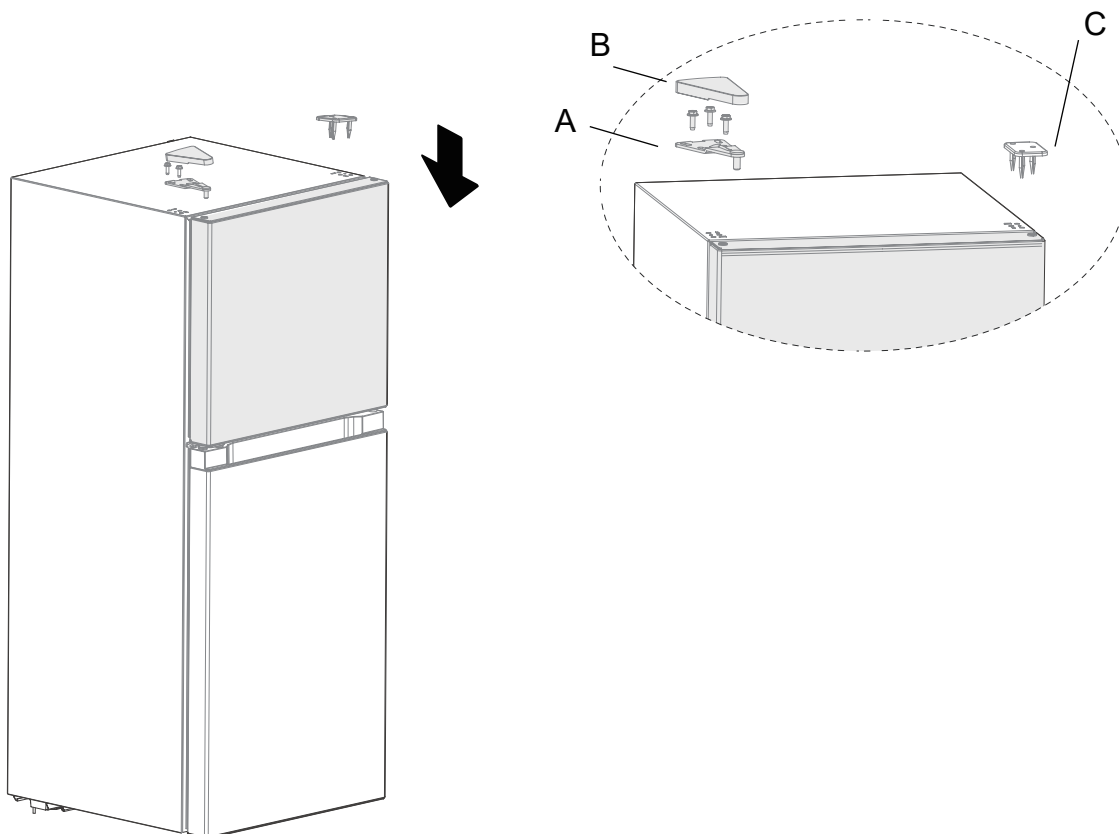
Coloque la puerta del refrigerador de arriba hacia abajo, saque la junta de la bolsa de plástico de las instrucciones e introdúzcala en el orificio del eje en el lado izquierdo de la puerta del refrigerador, como se muestra en la imagen. Fije la bisagra central con tornillos e instale los pasadores.



| Número | Nombre |
|--------|----------------------------|
| G | Bisagra inferior derecha |
| H | Pies de nivelación |
| J | Bisagra inferior izquierda |

5

Coloque la puerta del refrigerador en la bisagra central y monte la bisagra superior en el otro lado, fije la tapa de la bisagra en la bisagra superior y coloque el tapón del orificio en el otro lado.



| Número | Nombre |
|--------|-----------------------------|
| A | Bisagra superior |
| B | Tapa de la bisagra superior |
| C | Cubierta del orificio |

Mantenimiento y cuidado

Limpieza

- El polvo detrás del refrigerador y del suelo debe limpiarse rápidamente para mejorar el efecto de refrigeración y el ahorro energético.
- Compruebe regularmente la cesta de la puerta para asegurarse de que no haya residuos. Limpie la cesta de la puerta con un paño suave humedecido con agua jabonosa o detergente diluido.
- El interior del refrigerador debe limpiarse regularmente para evitar los malos olores.
- Por favor, desconecte la alimentación antes de limpiar el interior, retire todos los alimentos, bebidas, estantes, bandejas, etc.
- Use un paño suave o esponja para limpiar el interior del refrigerador, con dos cucharadas de bicarbonato de soda y un cuarto de agua tibia. Posteriormente aclárelo con agua y séquelo. Tras la limpieza, abra la puerta y déjelo secar de forma natural antes de encenderlo.
- Para aquellas áreas que son difíciles de limpiar en el refrigerador (como espacios, esquinas y paredes estrechas), se recomienda limpiarlas regularmente con un paño suave, un cepillo suave, etc. y cuando sea necesario, combinarlo con algunas elementos auxiliares (como varas delgadas) para asegurarse de que no haya acumulación de contaminantes o bacterias en estas áreas.
- No use jabón, detergente, polvo para estregar, limpiadores en aerosol, etc., ya que estos pueden causar malos olores en el interior del refrigerador o contaminar los alimentos.
- Limpie el botellero, estanterías y cajones con un paño suave humedecido con agua jabonosa o detergente diluido. Séquelo con un paño suave o séquelo de forma natural.
- Limpie la superficie exterior del refrigerador con un paño suave humedecido con agua jabonosa, detergente, etc. y después séquelo.
- No use cepillos duros, estropajos de acero, estropajos de alambre, productos abrasivos (como pasta de dientes) disolventes orgánicos (como acetona, alcohol, aceite de plátano, etc.), agua hirviendo, artículos ácidos o alcalinos que pueden dañar la superficie y el interior del refrigerador. El agua hirviendo y los disolventes orgánicos como el benceno pueden deformar o dañar las piezas de plástico.
- No lo aclare directamente con agua u otros líquidos durante la limpieza para evitar cortocircuitos o que afecte al aislamiento eléctrico tras la inmersión.



Desenchufe el refrigerador para la descongelación y la limpieza.

No use

- **Fallo de alimentación:** En caso de corte de corriente, incluso en verano, los alimentos dentro del aparato pueden conservarse durante varias horas; durante la falla de energía, los tiempos de apertura de la puerta se deben reducir y no se deben colocar más alimentos frescos en el aparato.
- **Ausencia de uso prolongada:** El aparato debe desenchufarse y después limpiarse; posteriormente, las puertas se dejan abiertas para evitar los malos olores.
- **Traslado:** Antes de trasladar el refrigerador, saque todos los objetos del interior, fije los estantes y la bandeja para verduras, la cámara de congelación, etc. con cinta y apriete las patas niveladoras; cierre las puertas y fíjelas con cinta. Durante el traslado, el aparato no debe colocarse boca abajo ni horizontalmente, ni sacudir; la inclinación durante el traslado no debe ser superior a 45°. No sostenga la puerta y la bisagra cuando mueva esta unidad.



El aparato debe funcionar de forma continua una vez que se enciende. En general, el funcionamiento del aparato no debe interrumpirse; el caso contrario, se puede ver alterada su vida útil.

Solución de problemas

Puede tratar de resolver usted mismo los siguientes problemas sencillos. Si no logra hacerlo, póngase en contacto con el departamento de postventa.

| | |
|---|---|
| Fallo en el funcionamiento | <p>Compruebe si el aparato está conectado a la alimentación I si el enchufe tiene bien los contactos.</p> <p>Compruebe si la tensión es demasiado baja</p> <p>Compruebe si hay un fallo de corriente o han saltado los circuitos parciales</p> |
| Mal olor | <p>Los alimentos que desprenden olores fuertes deben estar bien envueltos. Verifique si hay alimentos en descomposición. Limpie el interior del frigorífico.</p> |
| Funcionamiento prolongado del compresor | <p>El funcionamiento durante mucho tiempo del frigorífico es normal en verano</p> <p>Cuando la temperatura ambiente es alta No es conveniente colocar demasiados alimentos en el aparato al mismo tiempo</p> <p>Debe enfriar los alimentos antes de colocarlos en el interior del aparato Las puertas se abren con demasiada frecuencia</p> |
| La luz no se enciende | <p>Compruebe si el frigorífico está conectado a la alimentación y si la luz que se debe iluminar presenta daños</p> <p>Haga que un especialista sustituya la luz</p> |
| La puerta no se puede cerrar adecuadamente | <p>La puerta está atorada por paquetes de alimentos Se han colocado demasiados alimentos El refrigerador está inclinado.</p> |
| Ruidos altos | <p>Compruebe si el suelo está nivelado y si el frigorífico está colocado de forma estable</p> <p>Compruebe si los accesorios están colocados en los lugares adecuados</p> |
| El sello de la puerta no está estanco | <p>Retire materiales extraños del sello de la puerta</p> <p>Caliente el sello de la puerta y después refrigérelo para restaurarlo (o soplelo con un secador eléctrico o use una toalla caliente para calentarlo)</p> |
| La bandeja de agua se desborda | <p>Hay demasiados alimentos en la cámara o los alimentos almacenados contienen demasiada agua, lo que provoca una grave descongelación</p> <p>Las puertas no están cerradas debidamente lo que genera hielo debido a la entrada de aire y al aumento de agua debido a la descongelación</p> |

Solución de problemas

| | |
|--------------------------------------|---|
| Carcasa caliente | Disipación del calor del condensador integrado mediante la carcasa, que es normal cuando la carcasa se calienta debido a una temperatura ambiente elevada, o el almacenamiento de demasiado alimentos o si se cierra del compresor y proporciona una buena ventilación para facilitar la disipación del calor |
| Condensación de la superficie | La condensación sobre la superficie exterior y los sellos de la puerta del frigorífico es normal cuando la humedad ambiente es demasiado alta. Simplemente limpie la condensación con una toallita limpia. |
| Ruido anormal | Zumbido: El compresor puede producir zumbidos durante el funcionamiento y son especialmente altos durante el inicio y la parada. Esto es normal. Crujido: El refrigerante que fluye por el interior del aparato puede producir crujidos, lo que es normal. |

Garantía

GARANTÍA LIMITADA DEL REFRIGERADOR

Su producto está protegido por esta garantía limitada:

El servicio de garantía debe obtenerse a través del servicio de atención al cliente de VISSANI o de un proveedor de servicios autorizado de VISSANI.

Garantía

- Garantía limitada de un año a partir de la fecha de compra original.

VISSANI, a través de sus proveedores de servicios autorizados:

- Pagará todos los costos de reparación o reemplazo de las piezas de este aparato que resulten defectuosas en materiales o mano de obra.

El consumidor será responsable de:

- Los costos de diagnóstico, remoción, transporte y reinstalación debido al servicio.
- Los costos de llamadas de servicio que son el resultado de ítems listados en RESPONSABILIDADES NORMALES DEL CONSUMIDOR**

Las piezas de repuesto de VISSANI se utilizarán y estarán garantizadas solo durante el período restante de la garantía original.

RESPONSABILIDADES NORMALES DEL CONSUMIDOR**

Esta garantía solo se aplica a los productos de uso doméstico normal, y el consumidor es responsable de los ítems que se enumeran a continuación:

1. Uso adecuado del aparato de acuerdo con las instrucciones proporcionadas con el producto.
2. Mantenimiento de rutina y limpieza necesarios para mantener el buen estado de funcionamiento.
3. Instalación adecuada por parte de un técnico autorizado de acuerdo con las instrucciones provistas con el aparato y de acuerdo con todos los códigos locales de plomería, electricidad y/o gas.
4. Conexión adecuada a una fuente de alimentación con toma a tierra de voltaje suficiente, reemplazo de fusibles quemados, reparación de conexiones sueltas o defectos en el cableado de la casa.
5. Gastos para que el aparato sea accesible para su mantenimiento.
6. Daños al acabado después de la instalación.

EXCLUSIONES

Esta garantía no cubre lo siguiente:

1. Fallas causadas por daños a la unidad mientras está en su posesión (aparte de los daños causados por defectos o mal funcionamiento), por su instalación incorrecta o por el uso irrazonable del producto, que incluye, entre otros, la falta de mantenimiento razonable y necesario o el incumplimiento del Manual de instalación e instrucciones escritos.
2. Los productos comprados "tal cual" o reacondicionados no están cubiertos por esta garantía.
3. Pérdida de alimentos causada por fallas en el refrigerador o el congelador.
4. Llamadas de servicio para reparar o reemplazar consumibles como filtros de agua, filtros de aire de bombillas, etc., o manijas, perillas y otras piezas estéticas.
5. Producto que ha sido transferido de su dueño original.
6. Óxido interior o exterior en la unidad.
7. Daños causados por servicios realizados por personas ajenas a los servicios autorizados de VISSANI; uso de piezas que no sean piezas de repuesto de VISSANI; obtenidos de personas distintas al servicio de atención al cliente de VISSANI; o causas externas como abuso, uso indebido, fuente de alimentación inadecuada o casos fortuitos.
8. Llamadas de servicio resultantes de la instalación incorrecta de su producto.
9. Llamadas de servicio para instruirle sobre el uso de su producto.
10. Recargos que incluyen, pero no se limitan a, llamadas de servicio fuera de horario, fines de semana o feriados, peajes, cargos por viaje en ferry o gastos de millaje para llamadas de servicio a áreas remotas, incluido el estado de Alaska.
11. Si la unidad se destina a fines comerciales, de alquiler o de otro tipo o aplicación que no sea el uso doméstico, no ofrecemos garantías, expresas o implícitas, incluidas, entre otras, cualquier garantía implícita de comerciabilidad o idoneidad para un uso o propósito particular.
12. Producto que ha sido retirado fuera de EE. UU. o Canadá.
13. Productos sin números de serie originales o productos que tienen números de serie que han sido alterados o no se pueden determinar fácilmente.

AVISO: Algunos estados no permiten la exclusión o limitación de daños incidentales o consecuentes. En tal caso, es posible que esta limitación o exclusión no se aplique a usted.

Garantía

SI NECESITA SERVICIO

Mantenga su factura de venta, recibo de entrega o algún otro registro de pago apropiado. En caso de que se requiera servicio, la fecha en la factura establece la fecha de inicio del período de garantía.

Si se realiza el servicio, se recomienda obtener y conservar todos los recibos.

Esta garantía por escrito le otorga derechos legales específicos. También puede tener otros derechos que varían de un estado a otro.

El servicio bajo esta garantía debe ser obtenido por:

Póngase en contacto con el Equipo de Servicio al Cliente al 1-855-847-7264.

HOMEDEPOT.COM

Póngase en contacto con el 1-855-847-7264 para obtener más ayuda.

VISSANI™

**¿Preguntas, problemas, piezas faltantes? Antes de devolver a la tienda,
póngase en contacto con el servicio de atención al cliente de VISSANI
Lunes a viernes de 8:00 a. m. a 8:00 p. m. (EST) , sábados de 8:00 a. m. a 6:00 p. m. (EST)**

1-855-847-7264

HOMEDEPOT.COM

Conserve este manual para su uso futuro.