

Dryer

User manual

DV25FG50B0**

SAMSUNG

Contents

| | |
|---|-----------|
| Safety information | 4 |
| What you need to know about the safety instructions | 4 |
| Important safety symbols | 4 |
| CALIFORNIA PROPOSITION 65 WARNING | 5 |
| Important safety precautions | 6 |
| Warnings | 7 |
| Cautions | 7 |
| | |
| Before installation | 9 |
| Key installation requirements | 9 |
| Location considerations | 9 |
| Electrical requirements | 13 |
| Step-by-step installation | 17 |
| Switching the door position | 25 |
| | |
| Before you start | 29 |
| Sort and load | 29 |
| Functional prerequisite | 29 |
| | |
| Operations | 30 |
| Control panel | 30 |
| Simple steps to start | 32 |
| Cycle overview | 33 |
| Cycle guide | 34 |
| Special features | 35 |
| SmartThings | 36 |
| | |
| Maintenance | 37 |
| Control panel | 37 |
| Tumbler | 37 |
| Stainless steel tumbler | 37 |
| Dryer exterior | 37 |
| Lint filter | 37 |
| Water tank | 39 |
| Heat exchanger | 40 |

| | |
|----------------------------|-----------|
| Troubleshooting | 42 |
| Checkpoints | 42 |
| Information codes | 44 |
| | |
| Specifications | 45 |
| Fabric care chart | 45 |
| Protecting the environment | 46 |
| Specification sheet | 46 |
| Cycle chart | 46 |

Safety information

Congratulations on your new Samsung dryer. This manual contains important information on the installation, use and care of your appliance. Please take some time to read this manual to take full advantage of your dryer's many benefits and features.

Install the clothes dryer according to the manufacturer's instructions and local codes.

What you need to know about the safety instructions

Please read this manual thoroughly to ensure that you know how to safely and efficiently operate the extensive features and functions of your new appliance. Please store the manual in a safe location close to the appliance for future reference. Use this appliance only for its intended purpose as described in this instruction manual.

Warnings and Important Safety Instructions in this manual do not cover all possible conditions and situations that may occur. It is your responsibility to use common sense, caution and care when installing, maintaining and operating your dryer.

Because the following operating instructions cover various models, the characteristics of your dryer may differ slightly from those described in this manual and not all warning signs may be applicable. If you have any questions or concerns, contact your nearest service center or find help and information online at www.samsung.com.

Important safety symbols

What the icons and signs in this user manual mean:

WARNING

Hazards or unsafe practices that may result in severe personal injury, death and/or property damage.

CAUTION

Hazards or unsafe practices that may result in personal injury and/or property damage.

NOTE

Indicates that a risk of personal injury or material damage exists.

These warning signs are here to prevent injury to yourself and others.

Please follow them explicitly.

After reading this manual, store it in a safe place for future reference.

Read all instructions before using the appliance.

As with any equipment that uses electricity and moving parts, potential hazards exist.

To safely operate this appliance, familiarize yourself with its operation and exercise care when using it.

SAVE THESE INSTRUCTIONS

 **WARNING - Risk of Fire**

- Clothes dryer installation must be performed by a qualified installer.
- Install the clothes dryer according to the manufacturer's instructions and local codes.
- Do not install a clothes dryer with flexible plastic venting materials. If flexible metal (foil type) duct is installed, it must be of a specific type identified by the appliance manufacturer as suitable for use with clothes dryers. Flexible venting materials are known to collapse, be easily crushed, and trap lint. These conditions will obstruct clothes dryer airflow and increase the risk of fire.
- To reduce the risk of severe injury or death, follow all installation instructions.
- Save these instructions.

 **WARNING - To reduce the risk of fire or explosion:**

- Do not dry items that have been previously cleaned, washed, soaked, or spotted with gasoline, dry cleaning solvents, or other flammable or explosive substances. They emit vapors that could ignite or explode. Any material that has been in contact with a cleaning solvent or flammable liquids or solids should not be placed in the dryer until all traces of these flammable liquids or solids and their fumes have been removed. There are many highly flammable items used in homes, such as acetone, denatured alcohol, gasoline, kerosene, some liquid household cleaners, some spot removers, turpentine, waxes, and wax removers.
- Do not dry items containing foam rubber (may be labeled latex foam) or similarly textured rubber-like materials on a heat setting. Heated foam rubber materials can, under certain circumstances, ignite spontaneously.

 **WARNING - Fire or explosion hazard:**

- Failure to follow safety warnings exactly could result in serious injury, death or property damage.
- Do not store or use gasoline or other flammable vapors and liquids near this or any other appliance.
- Installation and service must be performed by a qualified installer, service agency.

CALIFORNIA PROPOSITION 65 WARNING

 **WARNING**

Cancer and Reproductive Harm - www.P65Warnings.ca.gov.

SAVE THESE INSTRUCTIONS

Safety information

Important safety precautions

WARNING

To reduce the risk of fire, electric shock, or injury to persons when using your appliance, follow basic precautions, including the following:

1. Read all instructions before using this appliance.
2. Do not dry articles that have been previously cleaned in, washed in, soaked in, or spotted with gasoline, dry-cleaning solvents, or other flammable or explosive substances, as they give off vapors that could ignite or explode.
3. Risk of Suffocation and Injury from Entrapment: Do not allow children to play on or in the appliance. Close supervision of children is necessary when the appliance is used near children.
4. Before the appliance is removed from service or discarded, remove the door to the drying compartment.
5. Do not reach into the appliance if the drum is moving.
6. Do not install or store this appliance where it will be exposed to the weather.
7. Do not tamper with controls.
8. Do not repair or replace any part of the appliance or attempt any servicing unless specifically recommended in the user-maintenance instructions or in published user-repair instructions that you understand and have the skills to carry out.
9. Do not use fabric softeners or products to eliminate static unless recommended by the manufacturer of the fabric softener or product.
10. Do not use heat to dry articles containing foam rubber or similarly textured rubber-like materials.
11. Clean lint screen before or after each load.
12. Keep area around the exhaust opening and adjacent surrounding areas free from the accumulation of lint, dust, and dirt.
13. The interior of the appliance and exhaust duct should be cleaned periodically by qualified service personnel.
14. Do not place items exposed to cooking oils in your dryer. Items contaminated with cooking oils may contribute to a chemical reaction that could cause a load to catch fire. To reduce the risk of fire due to contaminated loads, the final part of a tumble dryer cycle occurs without heat (cool down period). Avoid stopping a tumble dryer before the end of the drying cycle unless all items are quickly removed and spread out so that the heat is dissipated.

SAVE THESE INSTRUCTIONS

-
- 15.** Do not use replacement parts that have not been recommended by the manufacturer (e.g. parts made at home using a 3D printer).
- 16.** (For Heat pump Clothes dryer) Sharp Edges – to reduce the risk of injury, use care when cleaning the condenser or evaporator coil fins.

Warnings

WARNING

- Ensure pockets are free of small, irregularly shaped hard objects and foreign material, i.e. coins, knives, pins, etc. These objects could damage your dryer.
- Gas leaks may occur in your system, resulting in a dangerous situation.
- Do not turn on the appliance.
- Do not use the dryer to dry clothes which have traces of any flammable substance, such as vegetable oil, cooking oil, machine oil, flammable chemicals, paint thinner, etc., or anything containing wax or chemicals, such as mops and cleaning cloths. Flammable substances may cause the fabric to catch fire by itself.
- Do not store or use gasoline or other flammable vapors and liquids near this or any other appliance.
- This appliance must be grounded. See “Electrical requirements” and “Grounding” in “Installation” section.
- Do not insert your hand under the dryer.
 - This may result in injury.
- Take care that children’s fingers are not caught in the door when closing it.
 - This may result in injury.
- The control board and inlet valve are intentionally not grounded and may present a risk of electric shock only during servicing.
 - Do not contact these parts while the appliance is energized.

Cautions

CAUTION

- Do not allow children or pets to play on, in, or in front of the appliance. Close supervision is necessary when the appliance is used near children and pets.
- Before discarding or removing your dryer from service, remove the door to the drying compartment to prevent children or animals from becoming trapped inside.
- Do not reach into the appliance when the drum is moving.

SAVE THESE INSTRUCTIONS

Safety information

- Do not install or store this appliance where it will be exposed to the weather.
- Do not tamper with the controls.
- Do not repair, replace, or attempt to service any part of the appliance unless specifically instructed to in the user-repair instructions and you have the understanding and skills to carry out the procedure.
- Do not use fabric softeners or products to eliminate static unless the softener or product is recommended for dryer use by the manufacturer of the fabric softener or product.
- Clean the lint screen before or after each load.
- Keep the area around the exhaust opening and surrounding areas free from lint, dust, and dirt.
- The interior of the dryer and exhaust duct should be cleaned periodically by qualified service personnel.
- This appliance must be properly grounded. Never plug the power cord into a receptacle that is not grounded adequately or not in accordance with local and national codes. See the installation instructions for information about grounding this appliance.
- Do not sit on top of the dryer.
- Do not dry clothing with large buckles, buttons, or other heavy metal or solid objects.
- Gas leaks may not be detected by smell alone.
- Gas suppliers recommend you purchase and install a UL-approved gas detector.
- Install and use in accordance with the manufacturer's instructions.
- Do not place items in your dryer that have been spotted or soaked with vegetable oil or cooking oil. Even after being washed, these items may contain significant amounts of these oils.
- Residual oil on clothing can ignite spontaneously. The potential for spontaneous combustion increases when items containing vegetable oil or cooking oil are exposed to heat. Heat sources such as your dryer can warm these items, allowing an oxidation reaction in the oil to occur. Oxidation creates heat. If this heat cannot escape, the items can become hot enough to catch fire. Piling, stacking, or storing these kinds of items may prevent heat from escaping and can create a fire hazard.
- All washed and unwashed fabrics that contain vegetable oil or cooking oil can be dangerous.

Washing these items in hot water with extra detergent will reduce, but not eliminate, the hazard. Always use the Cool Down cycle for these items to reduce their temperature. Never remove these items from the dryer hot or interrupt the drying cycle until the items have run through the Cool Down cycle. Never pile or stack these items when they are hot.

SAVE THESE INSTRUCTIONS

Before installation

Read through the following instructions before installing the dryer, and keep this manual for future reference.

WARNING

Certain internal parts are intentionally not grounded and may present a risk of electric shock only during servicing. Service Personnel - Do not contact the following parts while the appliance is energized: Control board, Motor, Drain pump.

Key installation requirements

- A grounded electrical outlet.
- A power cord for electric dryers (except in Canada).
- A sink or drain pipe if you want to drain the water captured during drying through the supplied long drain hose. (See page 20.)

WARNING

Remove the door from all discarded appliances to prevent a child from suffocating.

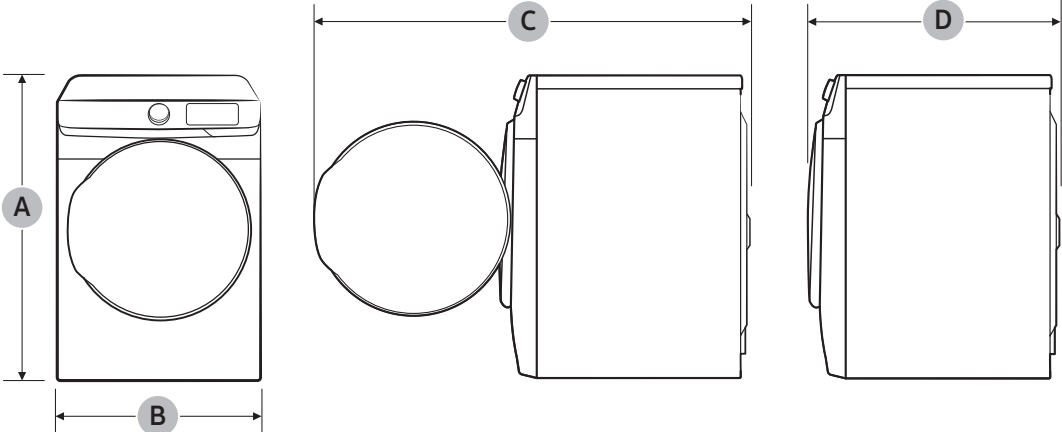
Location considerations

The dryer should be located where there is enough space at the front for loading the dryer, and enough space behind for the exhaust system. This dryer is factory-ready for the rear exhaust option. To exhaust out the bottom, right or the left, use the accessory exhaust kit. Instructions are included with the kit. Make sure the room in which the dryer is located has enough fresh air. The dryer must be located where there are no air-flow obstructions.

The dryer must not be installed or stored in an area where it will be exposed to water and/or weather. The dryer area must be kept clear of combustible materials, gasoline, and other flammable vapors and liquids. A dryer produces combustible lint. The area around the dryer should be kept lint-free.

Before installation

Dimensions



| Type | | Front loading dryer |
|--------------------------|-------------------------|---------------------|
| Models | | DV25FG50B0** |
| Dimensions (in. (mm)) | A. Overall height | 33.5 (850) |
| | B. Width | 23.6 (600) |
| | C. Depth with door open | 43.3 (1101) |
| | D. Depth | 25.8 (655) |

Clearance requirement

This clearance requirement is applicable for dryers only.

NOTE

- For washer's clearance requirement, see the washer's user manual.
- If the washer and dryer have different clearance requirements, use the one with the larger value.

Alcove or closet installations

WARNING

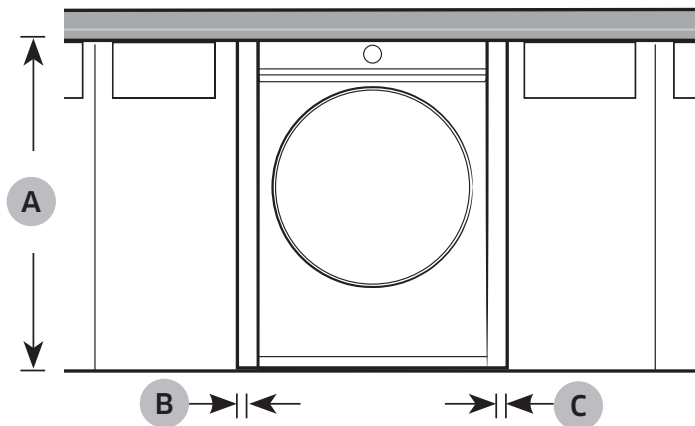
- No other fuel-burning appliance should be installed in the same closet as the dryer.
- Place the dryer at least 18 in. (460 mm) above the floor for garage installation.

Minimum clearance for stable operation:

| Sides | Top | Rear | Front |
|---------------|---------------|---------------|---------------|
| 1 in. (25 mm) | 1 in. (25 mm) | 2 in. (50 mm) | 1 in. (25 mm) |

If both the washer and a dryer are installed in the same location, the front of the alcove or closet must have two unobstructed air openings for a combined minimum total area of 72 in.² (465 cm²).

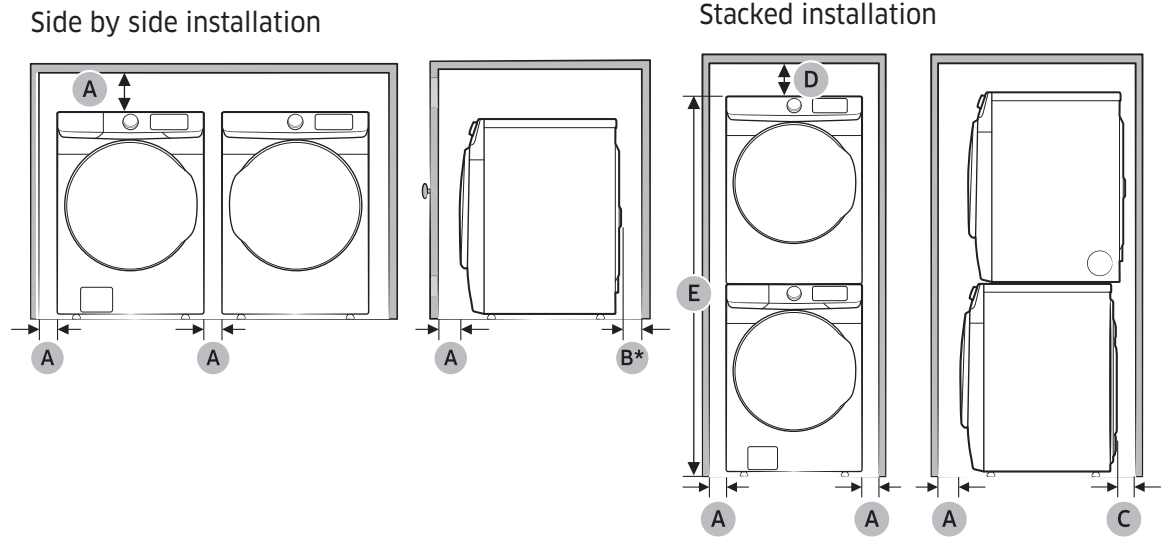
Undercounter installation



| | |
|---|-------------------|
| A | 34.4 in. (875 mm) |
| B | 1 in. (25 mm) |
| C | 1 in. (25 mm) |

Before installation

This clearance requirement is applicable for washer and dryer pair installation.



| | |
|----|------------------|
| A | 1 in. (25 mm) |
| B* | 2 in. (50 mm) |
| C | 3 in. (76 mm) |
| D | 6 in. (152 mm) |
| E | 67 in. (1702 mm) |

(B*): This clearance requirement only applies to the dryer. For washer's clearance requirement, see the washer's user manual.

Minimum space (B*) of 2" is required for best dryer performance. In case of insufficient space for duct installation, properly sized vent kit is needed.

NOTE

Stacking (SKK-DF)

Many of Samsung's washers and dryers can be stacked to maximize usable space. You can purchase an optional stacking kit from your Samsung retailer. For details about stacking and compatible models, refer to the user manual included in the stacking kit you purchase.

Electrical requirements

The wiring diagram is located on the plate under the control panel or rear frame.

WARNING

- Improperly connecting the equipment grounding conductor can result in a risk of electric shock. Check with a qualified electrician or serviceman if you are in doubt as to whether your dryer is properly grounded. Do not modify the plug provided with your dryer - if it doesn't fit the outlet, have a proper outlet installed by a qualified electrician.
- To prevent unnecessary risk of fire, electrical shock, or personal injury, all wiring and grounding must be done in accordance with local codes, or in the absence of local codes, in accordance with the National Electrical Code, ANSI/NFPA No. 70-Latest Revision (for the U.S.) or the Canadian Electrical Code CSA C22.1 - Latest Revisions and local codes and ordinances. It is your responsibility to provide adequate electrical service for your dryer.

Grounding

This dryer must be grounded. In the event of a malfunction or breakdown, the ground will reduce the risk of electrical shock by providing a path of least resistance for the electrical current.

WARNING

- Your dryer has an optional cord with an equipment-grounding conductor and a grounding plug. This cord is sold separately.
- The plug must be plugged into an appropriate outlet that is properly installed and grounded in accordance with all local codes and ordinances.
- Do not modify the plug provided with your dryer - if it doesn't fit the outlet, have a proper outlet installed by a qualified electrician.
- If a power cord is not used and the electric dryer is to be permanently wired, the dryer must be connected to a permanently grounded metal wiring system, or an equipment grounding conductor must be run with the circuit conductors and connected to the equipment grounding terminal or lead on the dryer.

Before installation

Electrical connections

Before operating or testing, follow all grounding instructions in the “**Grounding**” section. An individual branch (or separate) circuit serving only your dryer is recommended.

Do not use an extension cord.

U.S. only

Most U.S. dryers require a 240 volt, 60 Hz AC approved electrical service. Some require 208 volt, 60 Hz approved electrical service. The electric service requirements can be found on the data label located behind the door. A 30-ampere fuse or circuit breaker on both sides of the line is required.

- If a power cord is used, the cord should be plugged into a 30-ampere receptacle.
- The power cord is not provided with U.S. electric model dryers. This cord is sold separately.

Risk of Electric Shock

WARNING

- When local codes allow, you can connect the dryer’s electrical supply with a new power supply cord kit, marked for use with a dryer, that is U.L. listed and rated at a minimum of 240 volts, 30-amperes with three No. 10 copper wire conductors terminated with closed loop terminals, open-end spade lugs with turned up ends, or with tinned leads.
- Do not reuse a power supply cord from an old dryer. The power cord electric supply wiring must be supported at the dryer cabinet by a suitable UL-listed strain relief.

- Grounding through the neutral conductor is prohibited for (1) new branch-circuit installations, (2) mobile homes, (3) recreational vehicles, and (4) areas where local codes prohibit grounding through the neutral conductor. (Use a 4-prong plug for a 4 wire receptacle, NEMA type 14-30R.)

Canada Only

- A 240 volt, 60 Hz AC approved electrical service fused through a 30-ampere fuse or circuit breaker on both sides of the line is required.

NOTE

All Canadian models are shipped with the power cord attached. The power cord should be plugged into a 30-ampere receptacle.

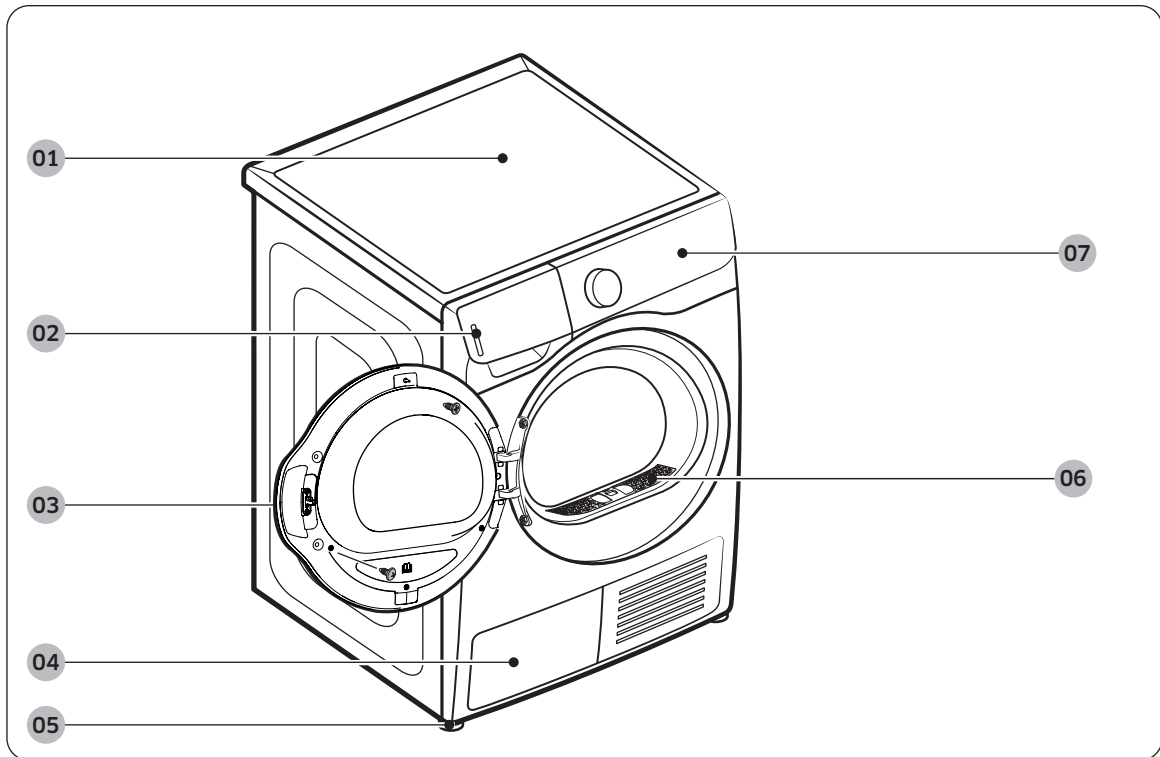
In Canada, you may convert a dryer to 208 volt.

Installation

What's included

Carefully unpack the dryer. Keep all packaging materials away from children. The parts and location of parts shown below may differ from your dryer. Before installation, make sure the dryer has all the parts listed here. If the dryer and/or parts are damaged or missing, contact the nearest Samsung customer service center.

Dryer at a glance



01 Top cover

03 Door

05 Levelling Leg

07 Control Panel

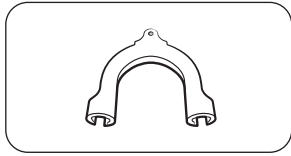
02 Water Tank

04 Heat exchanger

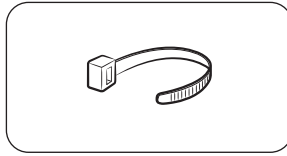
06 Lint filter

Installation

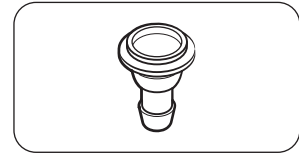
Accessories (supplied)



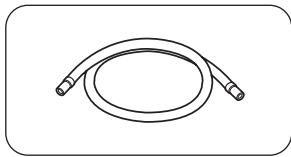
Hose guide



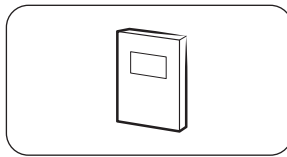
Cable tie



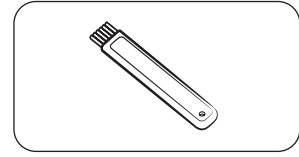
Hose connector



Long drain hose (6.5 ft/2 m)

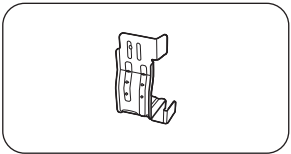


User manual



Cleaning brush

Accessories (Canada Model Only)



Bracket-Stacking kit
(SKK-DF)

NOTE

- The stacking kit allows the dryer to be stacked on top of a washer. Please note that the stacking kit can only be used with Samsung washers and dryers. To purchase a bracket stacking kit, contact a Samsung service center or local appliance retailer. The stacking kit differs with the washer model.
- For stacking instructions for the dryer, see the installation manual included in the stacking kit.
- For information about model-specific availability of the stacking kit, see the installation manual included in the stacking kit.

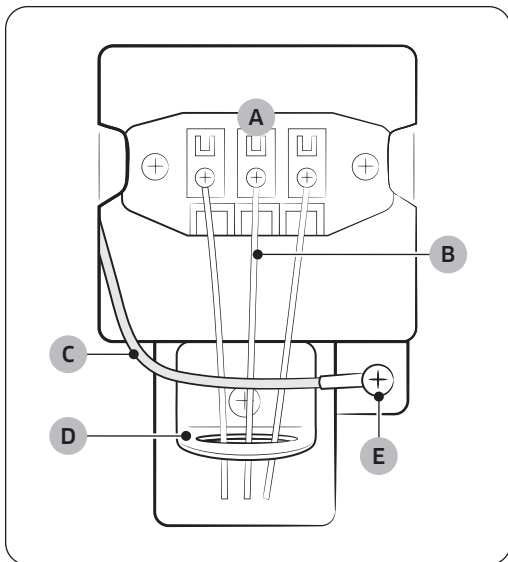
Step-by-step installation

Make sure you have a qualified technician install the dryer. Step by step installation instructions start below.

STEP 1 Connect the electrical wiring

First, read through the “**Electrical requirements**” section, and then follow the instructions on this page or the next page. Instructions for a 3-wire system are on this page. Instructions for a 4-wire system are on the next page.

For a 3-wire system



- A.** Center silver-colored terminal block screw
- B.** Neutral wire (white or center wire)
- C.** Neutral grounding wire (white or green/yellow)
- D.** $\frac{3}{4}$ " (1.9 cm) UL-listed strain relief
- E.** External ground connector

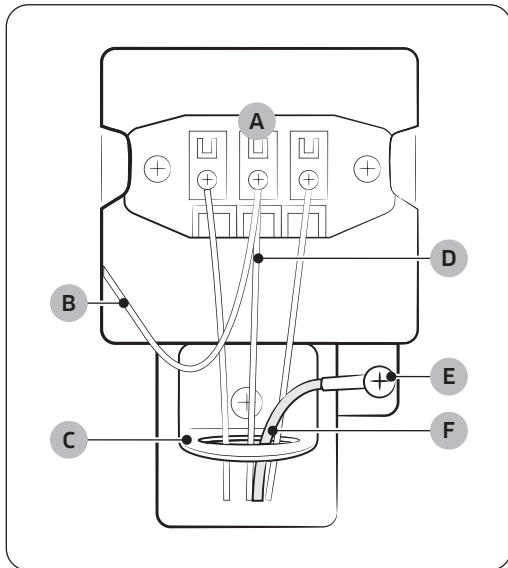
1. Loosen or remove the screws from the center terminal block.
2. Connect the neutral wire (white or center wire) of the power cable to the center, silver-colored terminal screw of the terminal block. Tighten the screws.
3. Connect the other wires to outer terminal block screws. Tighten the screws.
4. Tighten the strain relief screws.
5. Insert the terminal block cover into the rear panel of the dryer. Then, secure the cover with a hold-down screw.

CAUTION

- To convert from the 4-wire system to 3-wire system, connect the ground strap to the terminal block support to ground the dryer frame to the neutral conductor.
- Ring-type terminals are recommended. If using strap terminals, make sure they are tightened.
- Connect the power cord and check L1/L2/N voltage. If the voltage is low, it may not heat properly.

Installation

For a 4-wire system



- A. Center silver-colored terminal block screw
- B. Neutral grounding wire (white or green/yellow)
- C. 3/4" (1.9 cm) UL-listed strain relief
- D. Neutral wire (white or center wire)
- E. External ground connector
- F. Green or bare copper wire of power cord

1. Remove the external ground connector's screw, and connect the ground wire (green or unwrapped) of the power cable to the screw.

CAUTION

- To connect the ground wire to the neutral position without through contact A (cabinet ground), contact a technician. This is not user serviceable.
 - Ring-type terminals are recommended. If using strap terminals, make sure they are tightened.
2. Loosen or remove the screws from the center terminal block.
 3. Connect the neutral wire (white or center wire) and ground wire (white) to the center, silver-colored terminal screw of the terminal block. Tighten the screw.
 4. Connect the other wires to the outer terminal block screws. Tighten the screws.
 5. Tighten the strain relief screws.
 6. Insert the tab of the terminal block cover into the rear panel of the dryer. Then, secure the cover with a hold-down screw.

CAUTION

Connect the power cord and check L1/L2/N voltage. If the voltage is low, it may not heat properly.

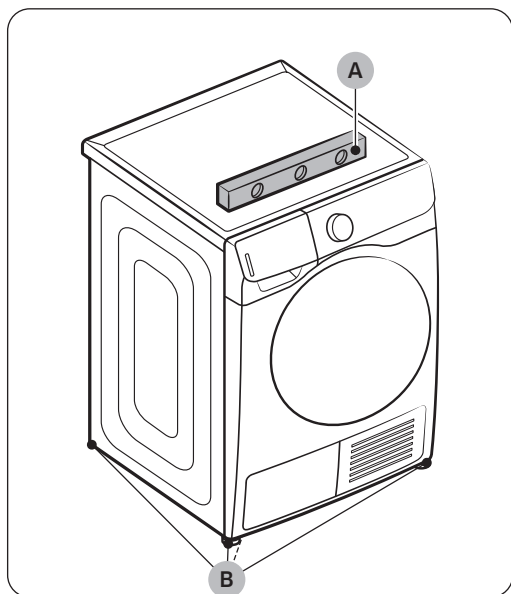
WARNING

- All U.S. models are designed for a 3-wire system connection. The dryer frame is grounded to the neutral conductor at the terminal block. A 4-wire system connection is required for new or remodeled construction, mobile homes, or if local codes do not permit grounding through neutral. If you use the 4-wire system, you cannot ground the dryer frame to the neutral conductor at the terminal block.

- Remove the terminal block cover plate.
- Insert the power cord with a UL-listed strain relief through the hole provided in the cabinet near the terminal block.
- A strain relief must be used.
- Do not loosen the nuts already installed on the terminal block. Be sure they are tight.
- Use a 3/8" (1 cm) deep well socket.
- Since January 1, 1996, The national electric code requires that new wiring (not existing) utilize a 4-wire connection to this dryer.

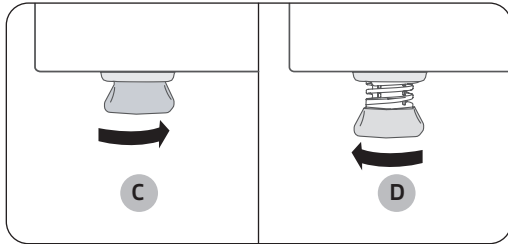
STEP 2 Level the dryer

Before you install the dryer, make sure you have read the Installation requirements on page 9. Please note that the following instructions are for installation without using a drain hose. For instructions on using a drain hose, see the next section, Drain hose (if necessary) on page 20. For convenience, consider installing the dryer next to your washer.



1. Carefully move the dryer to the desired location.
2. Use a **level (A)** and check the levelness of the dryer from side to side and front to back.
3. If the dryer is not level, adjust the **levelling legs (B)**. Turning a leg counter-clockwise retracts the leg. Turning a leg clockwise extends the leg.
4. Once the dryer is level, make sure the dryer stands firmly on the floor.
5. Plug in the dryer.

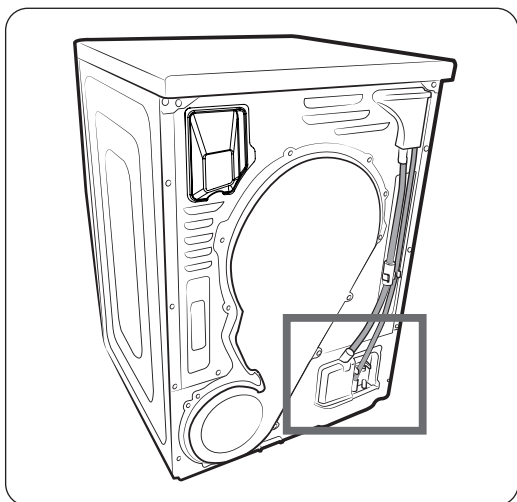
Installation



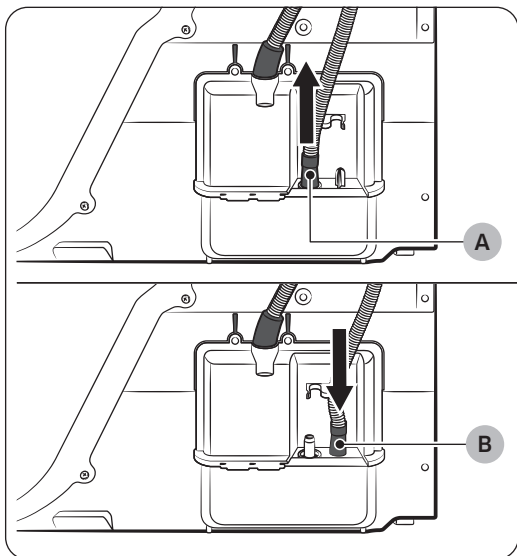
NOTE

- The dryer can be levelled using either or both of the front and rear legs of the dryer.
- To set the dryer to the same height as the washer, **fully retract (C)** the levelling legs by turning them counter clockwise, then **loosen (D)** the legs by turning them clockwise.
- Extend the levelling leg only as much as necessary. Extending the levelling leg more than necessary can cause the dryer to vibrate.

Drain hose (if necessary)

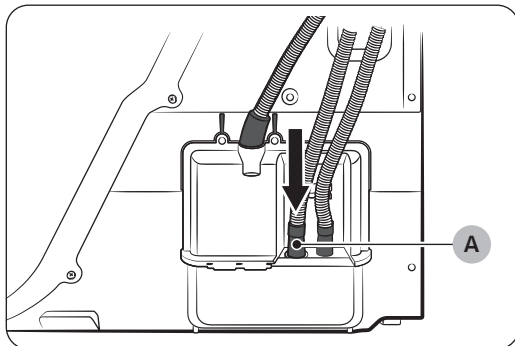


Important: This dryer comes with a built in water tank that stores water captured by the dryer from drying clothes. The water tank must be emptied manually before or after each load. See page 45. However, you can install the provided long drain hose as described below and have the water empty directly into a nearby sink or drain pipe automatically.



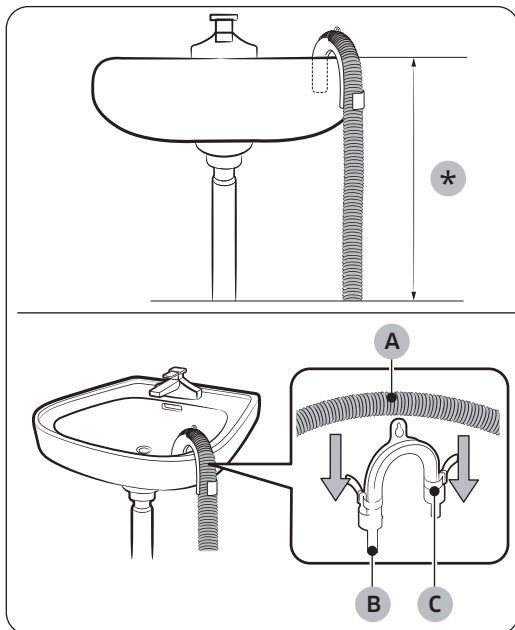
1. Remove the drain hose from hole (A), and insert it into hole (B).

Installation



2. Insert one end of the accessory hose (the long drain hose) into **hole (A)**.
3. Position the other end (the outlet) over a laundry sink or connect it to the drain pipe of a laundry sink. See the instructions below or on the next page.

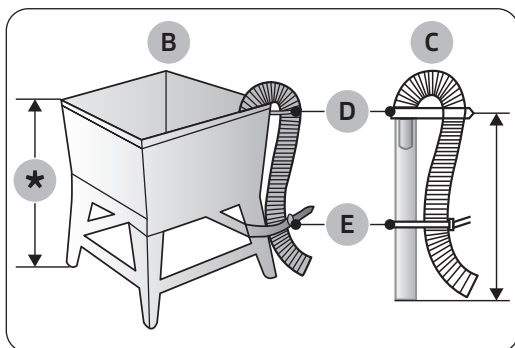
Over a laundry sink:



1. Make sure to place the end of the accessory hose no more than **3 ft. (90 cm)** above the bottom of dryer.
2. To bend the accessory hose so that it hooks over the edge of the sink, use the supplied plastic **hose guide (B)** and secure the guide to the wall with a hook or to the tap with a piece of string. Assemble the **drain hose (A)** and the **hose guide (B)** and fix them with the **cable-tie (C)**.

⚠ CAUTION

Do not extend the drain hose by connecting another hose to it. Water can leak from the connected area. If you need more length, use a longer drain hose.



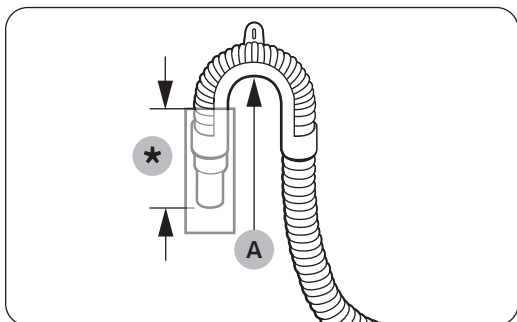
In a standpipe or laundry tub

The **laundry tub (B)** or **standpipe (C)** must be no higher than **35.4 In (90 cm)**.

Make sure the drain hose and the standpipe are not airtight.

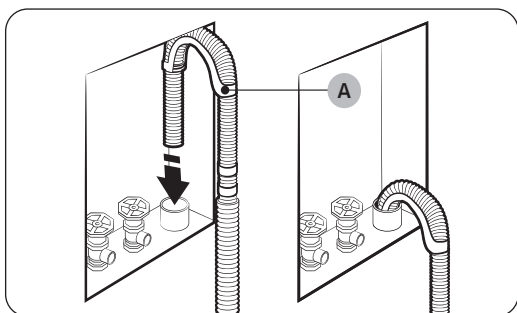
📄 NOTE

D: Hose retainer / E: Tie straps



⚠ CAUTION

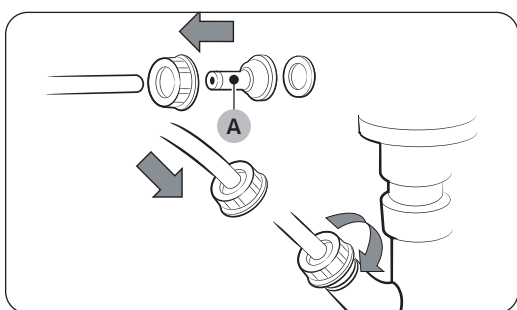
- Connect the hose **guide (A)** within 6 in. (15 cm)* of the end of the drain hose. If the drain hose is extended beyond the end of the hose guide, mold or microorganisms could spread inside the dryer.
- The drain hose can be installed up to 35.4 in. (90 cm) high, but the draining capability can be reduced at the maximum height. Too much water remaining in Dryer may cause malfunction.



Wall standpipe drain system

The drain hose can be placed into a wall standpipe drain system. To keep the end of the drain hose bent, use the supplied hose **guide (A)**. Secure the guide to the wall using a hook to ensure stable drainage.

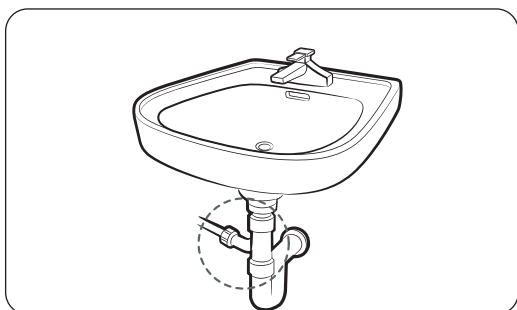
By using the drain pipe of the laundry sink:



1. Assemble the **hose connector (A)**, and attach it to the end of the accessory hose as shown.

⚠ CAUTION

To prevent water leaks, make sure to connect the hose and the connector firmly.



2. Connect the hose adaptor directly to the drain pipe of the laundry sink.

Installation

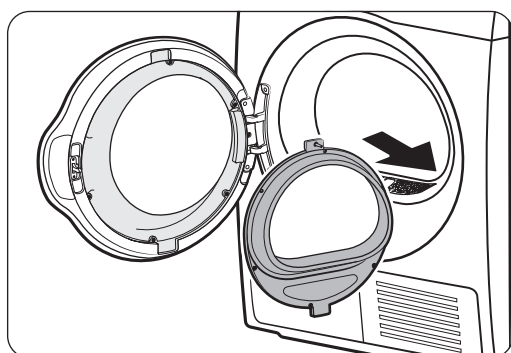
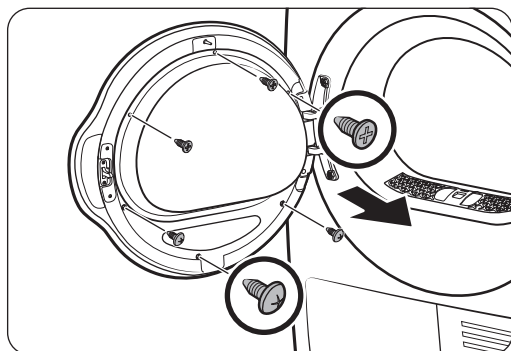
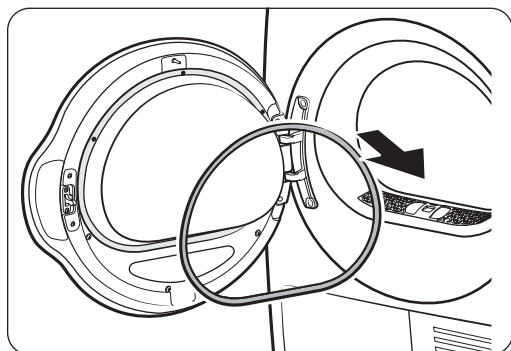
Installation checklist

- The dryer is plugged into a properly grounded outlet.
- All packaging material is completely removed and properly disposed.
- The dryer is level and standing firmly on the floor.
- The long drain hose is installed if you want water captured by the drying process drained automatically.
- Start the dryer to make sure that it runs, heats, and shuts off.
- Run a **TIME DRY** cycle for 20 minutes to see if the **HC** information code is displayed. If this is the case, contact a local service center.
- After installation, we recommend that you wait at least 1 hour before using the dryer.

Before using the dryer

- Make sure no accessory remains inside the drum.
- Plug in the power cord just before operating the dryer.
- Do not block the air inlet hole of the cooling grill at the front of the dryer.
- Do not place flammable objects near the dryer and keep the surrounding area clean.
- Keep the dryer level with the ground.
- Do not remove the adjustable levelling legs of the dryer. They are necessary to keep the dryer level.

Switching the door position



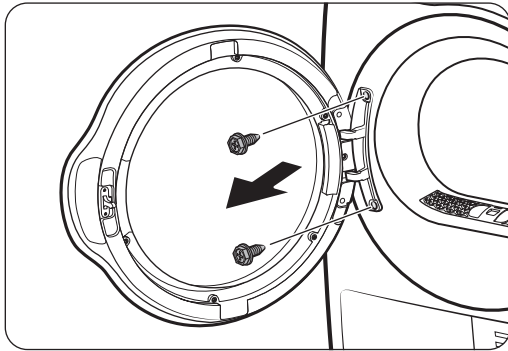
To reverse the direction of the door, we recommend that you contact a qualified technician and have the technician follow the directions below.

1. Remove the door packing from the door.
2. Remove the screws on the inner glass holder of the door.
 - Loosen and remove the 3 screws on the top and 3 screws on the bottom.
3. Detach the glass holder.

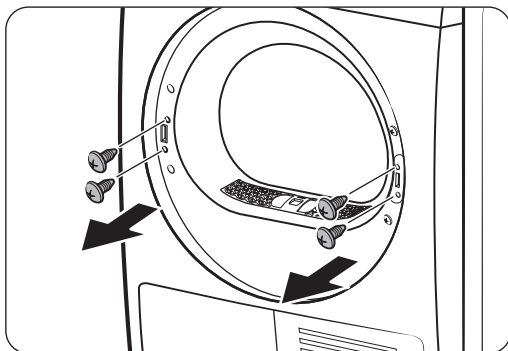
CAUTION

Be careful not to drop any part of the holder when detaching it. Property damage (cracks or breaks) or physical injury may occur.

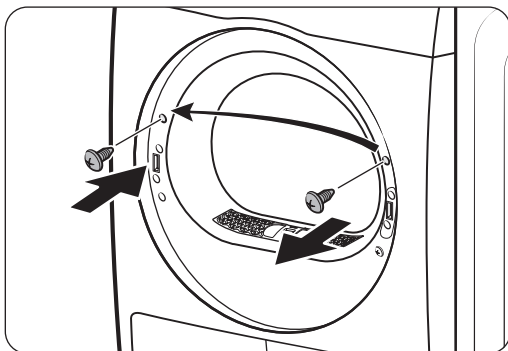
Installation



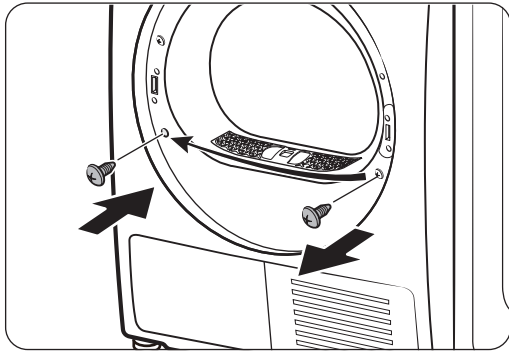
4. Remove the hinge screws, and then detach the door.
 - Loosen and remove the 2 bolts on the door frame.
 - To prevent abrasion on the bolts, use a hex screwdriver.



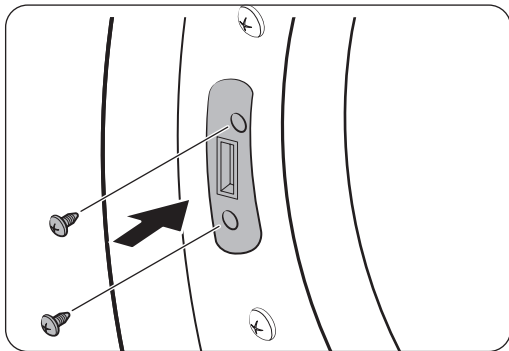
5. Remove the 2 holder screws on the left frame, and then remove the 2 bracket screws on the right frame.



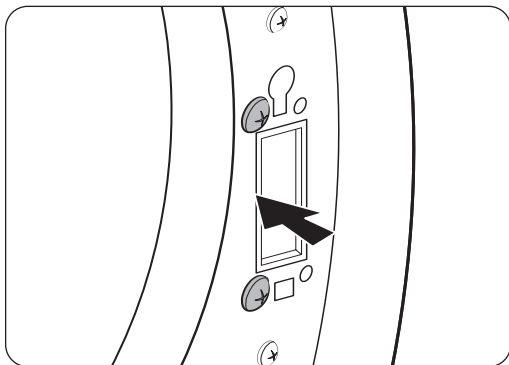
6. Remove the upper screw on the right of the door frame, and then insert it in the corresponding left hole of the door frame. Do not remove the lower bracket screws.



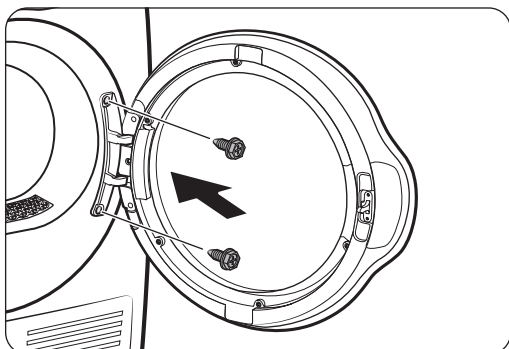
7. Remove the bottom screw on the right frame, and then insert it in the corresponding hole on the left frame.



8. Insert the 2 removed bracket screws in the left frame as shown.
- See the figure on the left for the correct position of the screws.

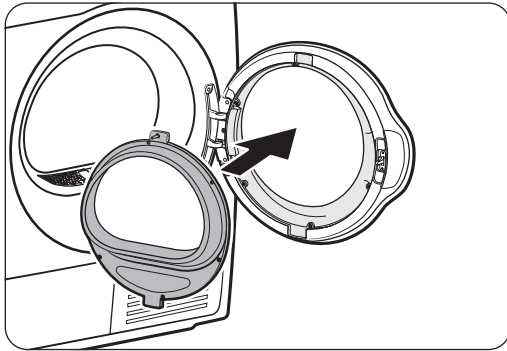


9. Insert the 2 removed holder screws in the right frame as shown.
- See the figure on the right for the correct position of the screws.

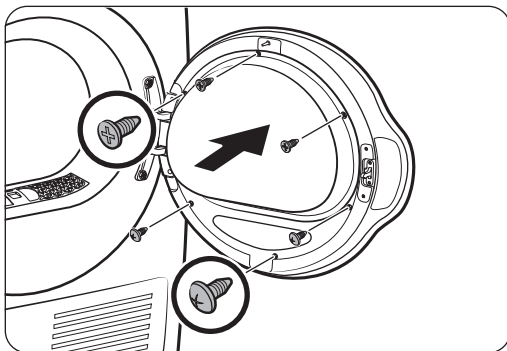


10. Insert the door hinge in the opposite position of the door frame, and then, tighten the 2 bolt screws.

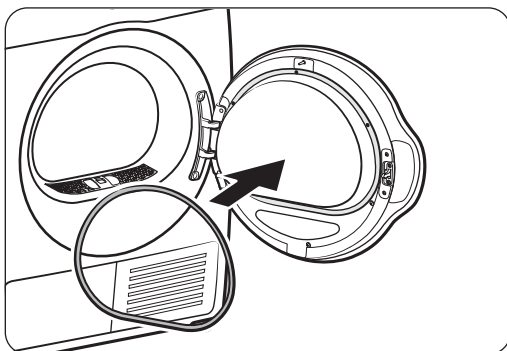
Installation



- 11.** Insert the inner glass holder in the door cover that has been installed on the right frame.



- 12.** Tighten the 3 screws on the top and 3 screws on the bottom.



- 13.** Attach the door packing to the door.

Before you start

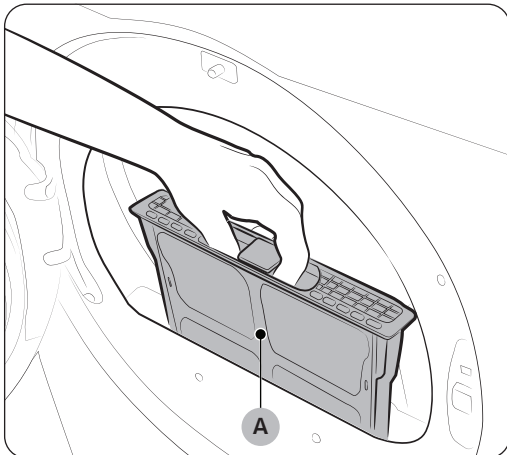
Here are a few things you should know before starting your dryer.

Sort and load

- Put one wash load in the dryer at a time.
- Do not mix heavy and lightweight items together.
- To improve drying efficiency for one or two items, add a dry towel to the load.
- For best results, untangle items before inserting them into the dryer.
- Overloading reduces the tumbling action, resulting in uneven drying and wrinkling and longer drying time.
- Unless recommended on the care label, do not dry woolens or fiberglass items.
- Avoid drying unwashed items.
- Do not dry items soiled with oil, alcohol, gasoline, etc.

Functional prerequisite

Lint filter



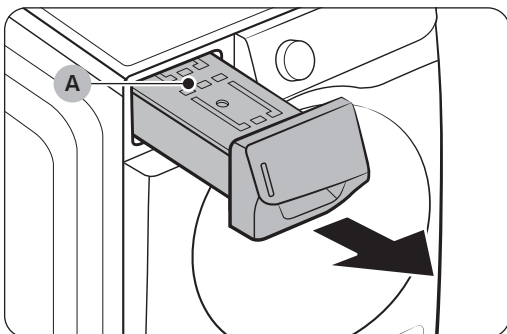
To prevent a risk of fire, make sure to clean the lint filter before or after every load.

1. Turn off the dryer.
2. Open the door, and pull out the lint filter (A) from inside the tumbler.
3. Remove the lint that has accumulated, and then clean the lint filter.
4. Reinsert the lint filter, and then close the door.

⚠ CAUTION

- Do not operate the dryer without the lint filter in place.
- Do not use a damaged or broken lint filter. This may reduce performance and/or cause a fire.

Water Tank



If you have not installed the long drain hose, empty the water tank before or after every load to avoid leaks.

1. Using both hands, pull the water tank forward to remove.
2. Empty the water through the drain hole on top, and then place the water tank back into place.

📖 NOTE

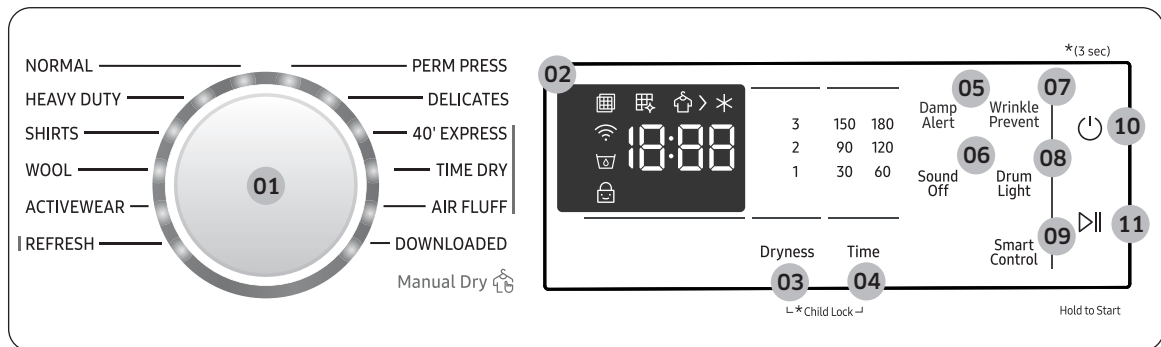
- If you empty the water tank and then press and hold Start/Pause (Hold to Start), the corresponding indicator turns off.

Operations


⚠ WARNING

To reduce the risk of fire, electric shock, or injury, read the “Safety information” section before operating this appliance.

Control panel



| | |
|-----------------------------------|--|
| 01 Cycle selector | Turn the cycle selector to select a desired cycle. When a cycle is selected, the cycle indicator lights up. |
| 02 Digital graphic display | Displays all cycle information, including the cycle time, information code, operating status, and indicators. |
| 03 Dryness | <p>Press to select a dry level. You can select from 3 different options (1 to 3). Please refer to following recommendations to select the appropriate dryness.</p> <ul style="list-style-type: none"> • For larger or bulkier loads, select 3 for complete dryness. • For items that needs to lay flat or hang to dry, use 1 to partially dry items. <p>NOTE This option is not available with WOOL and ACTIVEWEAR.</p> |
| 04 Time | <p>Press to adjust the cycle time for 40' EXPRESS, TIME DRY, AIR FLUFF, and REFRESH cycles.</p> <ul style="list-style-type: none"> • The following time options in minutes are available: 30, 60, 90, 120, 150, and 180. • The exact drying time differs depending on the humidity of the load. |








| | |
|---|--|
| 05 Damp Alert | This alert is available for all Sensor Dry cycles except for ACTIVEWEAR and WOOL . Available dryness are 3 and 2 . If a load contains mixed fabrics, the Damp Alert indicator blinks when average dryness of the items is 80 % dry. This lets you take items that you don't want fully dried or that dry quickly out of the dryer early while letting others continue to dry. |
| 06 Sound Off | Press to turn on or turn off the sound from the dryer. The sound setting is retained when you turn the dryer off and turn it on again. |
| 07 Wrinkle Prevent | Wrinkle Prevent provides approximately 180 minutes of intermittent tumbling in unheated air at the end of the cycle to reduce wrinkling. Press Wrinkle Prevent to activate this feature. The load is dry and can be removed at any time during the Wrinkle Prevent process. <ul style="list-style-type: none"> Press and hold Wrinkle Prevent for 3 seconds to turn off the alarm. When the alarm is off, the Alarm Off indicator () turns on. |
| 08 Drum Light | Press to turn on or turn off the interior lamp. The lamp stays lit for 2 minutes after it has turned on, and then turns off automatically. |
| 09 Smart Control | After connecting the Tumble Dryer to your home network using the SmartThings app, you can control or monitor the dryer remotely. When started, the Smart Control indicator blinks. The dryer enters waiting mode and waits for remote commands. |
| 10 Power | Press to turn on/turn off the dryer. |
| 11 Start/Pause (Hold to Start) | Press and hold to start an operation, or press to stop an operation temporarily. |

 **NOTE**

Items that have become extremely tangled in the wash can degrade drying efficiency or cause the dryer's door to open. We recommend that you untangle items before putting them in the dryer.

Operations

Indicators

| | | | |
|---|--------------------|---|----------------------------|
|  | Check filter alarm |  | Heat-exchanger clean alarm |
|  | Wi-Fi |  | Drying |
|  | Water Tank Full |  | Cooling |
|  | Child Lock | | |

Simple steps to start

1. Press **Power** to turn on the dryer.
2. Turn the **Cycle Selector** to select a cycle.
3. Change the cycle settings (**Dryness** and **Time**) as necessary.
4. Select desired options as necessary.
5. Press and hold **Start/Pause (Hold to Start)**.

To change the cycle during operation

1. Press **Start/Pause (Hold to Start)** to stop operation.
2. Select a different cycle.
3. Press and hold **Start/Pause (Hold to Start)** to start the new cycle.

Sorting and loading

- Overloading will extend drying time significantly. Load to about half full for best results.
- Put only one wash load in the dryer at a time.
- Avoid mixing heavy and lightweight items together.
- To increase drying efficiency when drying one or two items, add a dry towel to the load.
- For best results, untangle items before inserting them into the dryer.
- Overloading restricts the tumbling process, resulting in uneven drying and wrinkling.
- Unless recommended on the care label, avoid drying woolens or fiberglass items.
- Avoid drying unwashed items.
- Do not dry items soiled with oil, alcohol, gasoline, etc.

Cycle overview

Sensor Dry

Sensor Dry cycles sense moisture in the load and stop the dryer when the load reaches the dryness level you have selected with **Dryness**.

| Cycle | Description |
|------------|---|
| NORMAL | For most fabrics including cottons and linens. |
| HEAVY DUTY | For drying items made out of heavy fabrics, such as jeans, corduroys, or work clothes, with high temperature heat. |
| SHIRTS | Use to quickly dry one item such as a shirt. |
| WOOL | For machine washable and tumble dryable wool only. |
| ACTIVEWEAR | For exercise wear and outdoor wear such as sports jerseys, training pants, water-repellent jackets, and other performance clothing. Thick fabrics like a zipper or Velcro closure of a jacket, or training socks may not be completely dried. |
| PERM PRESS | Dry wrinkle-free cottons, synthetic fabrics, knits, and permanent press fabrics automatically. |
| DELICATES | For heat-sensitive items at a low drying temperature. |
| DOWNLOADED | <ul style="list-style-type: none">• Select to choose from more cycles available on the SmartThings app on your smartphone.• Available cycles: TOWELS, BEDDING, DENIM, MIXED LOAD.• Factory setting: TOWELS |

Manual Dry

You can change the drying settings manually to your preference.

| Cycle | Description |
|-------------|---|
| 40' EXPRESS | For drying light cotton synthetics or items that need quick drying. The default dry time is 40 minutes. |
| TIME DRY | You can specify a cycle time in minutes. |
| AIR FLUFF | Tumbles the load in room temperature air. |
| REFRESH | Uses warm air to deodorize and refresh items. |

Operations

Cycle guide

The best way to dry items is to follow the instructions on the care label. If no drying instructions are provided, see the following table for reference.

| Cycle | Description |
|--|---|
| Bedspreads & Comforters | Follow the care label instructions or dry using NORMAL . <ul style="list-style-type: none"> • Make sure the item is thoroughly dry before using or storing. • May require repositioning in the drum to ensure even drying. |
| Blankets | Use NORMAL and dry only one blanket at a time for best tumbling action. <ul style="list-style-type: none"> • Make sure blankets are thoroughly dry before using or storing. |
| Curtains & Draperies | Use PERM PRESS to help minimize wrinkling. <ul style="list-style-type: none"> • Dry curtains and draperies in small loads for best results and remove as soon as possible after the cycle is complete. |
| Cloth Diapers | Use NORMAL for soft, fluffy diapers. |
| Down-filled Items (jackets, sleeping bags, comforters, etc.) | Follow the care label instructions or dry using NORMAL . <ul style="list-style-type: none"> • Add a couple of dry towels to absorb moisture and shorten drying time. |
| Foam Rubber (rug backs, stuffed toys, shoulder pads, etc.) | Do not dry on a heat setting. Use AIR FLUFF . ⚠ WARNING Drying a rubber item with heat may damage it or cause a fire. |
| Pillows | Use NORMAL . <ul style="list-style-type: none"> • Add a couple of dry towels and a pair of clean sneakers to help the tumbling action and to fluff the pillows. • Do not dry kapok or foam pillows using a heated drying cycle. You can dry these items in the dryer only if you use AIR FLUFF. |
| Plastics (shower curtains, outdoor furniture covers, etc.) | Use AIR FLUFF or TIME DRY depending on the care label instructions. |

⚠ WARNING

Do not dry:

- Fiberglass items (curtains, draperies, etc.)
- Woolens, unless recommended on the label
- Items spotted or soaked with vegetable or cooking oils

Special features

Child Lock

Child Lock prevents children from playing with the dryer. When Child Lock is activated, all buttons except for the Power button are disabled.

To activate/deactivate Child Lock, simultaneously press and hold the **Dryness** and **Time** buttons for 3 seconds.

NOTE

Once Child Lock is activated, it will remain active even after you restart the dryer. If other buttons, except for the Power button, do not respond, check the Child Lock indicator. If the indicator is on, follow the instructions above to turn Child Lock off.

DOWNLOADED cycle

You can choose from more cycles available on the SmartThings app on your smartphone.

1. On your smartphone, select the **DOWNLOADED** cycle.
You can choose from TOWELS, BEDDING, DENIM, MIXED LOAD.
2. Press **Power** on your dryer.
3. Turn the **Cycle Selector** to **DOWNLOADED**.
4. Press and hold **Start/Pause (Hold to Start)**.

Operations

SmartThings

Wi-Fi connection

On your smartphone, go to **Settings**, turn on the wireless connection, and then select your AP (Access Point).

- This appliance supports the Wi-Fi 2.4 GHz protocols.

Download

On an app market (Google Play Store, Apple App Store, Samsung Galaxy Apps), find the SmartThings app using the search term “SmartThings”. Download and install the app on your device.

NOTE

The app is subject to change without notice for improved performance.

Log in

You must first log into SmartThings with your Samsung account. To create a new Samsung account, follow

the instructions in the app. You don't need a separate app to create your account.

NOTE

If you have a Samsung account, use the account to log in. A registered Samsung smartphone user automatically logs in.

To register your appliance to SmartThings

1. Make sure your smartphone is connected to a wireless network. If not, go to Settings and turn on the wireless connection, and then select your AP (Access Point).
2. Open **SmartThings** on your smartphone.
3. If the “A new device is found.” message appears, select **Add**.
4. If no message appears, select + and then select your appliance from the list of devices available. If your appliance is not listed, select **Device Type** > **Specific Device Model**, and then add your appliance manually.
5. Register your appliance to the SmartThings app.
 - a. Add your appliance to SmartThings. Make sure your appliance is connected to SmartThings.
 - b. When registration is complete, then name of your appliance appears on your smartphone.

Maintenance

WARNING

- Do not clean the dryer by directly spraying water onto the dryer.
- Do not clean the dryer with benzene, thinner, alcohol, or acetone. This may cause discoloration, deformation, damage, electric shock, or fire.
- Before cleaning the dryer, be sure to unplug the power cord.
- Certain internal parts are intentionally not grounded and may present a risk of electric shock only during servicing. Service Personnel - Do not contact the following parts while the appliance is energized: Control board, Motor, Drain pump.

Control panel

- Clean with a soft, damp cloth. Do not use abrasive substances.
- Do not spray liquid cleaning agents directly on the display of the dryer.
- Some laundry pre-treatment soil and stain removers may damage the control panel.
- When using liquid cleaning agents, apply them to the cleaning cloth. Do not apply them directly to the dryer. Wipe up any spills or overspray immediately.

Tumbler

- Remove any stains from the tumbler with an all-purpose cleaner.
- Tumble old towels or rags to remove any remaining stains or cleaning substances. Stains may still be visible, but will not affect subsequent loads.

Stainless steel tumbler

To clean the stainless steel tumbler, use a damp cloth with a mild, non-abrasive cleaner suitable for easily marred surfaces. Remove cleaner residue and dry with a clean cloth.

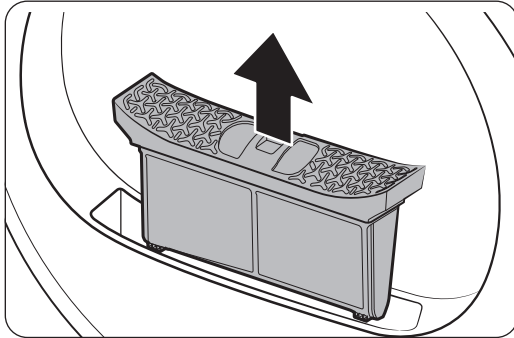
Dryer exterior

- Clean with a soft, damp cloth. Do not use abrasive substances.
- Protect the surface from sharp objects.
- Do not place any heavy or sharp objects or a detergent container on the dryer. They can scratch or damage the top cover of the dryer.
- The dryer has a high-gloss finish on the entire surface. Be careful not to scratch or damage the surface.

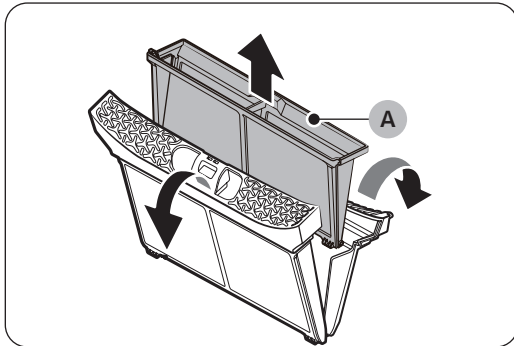
Lint filter

Clean the lint filter after each load.

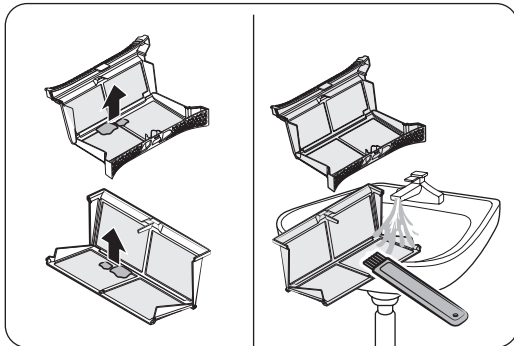
Maintenance



1. Open the door and pull the lint filter upward to remove.



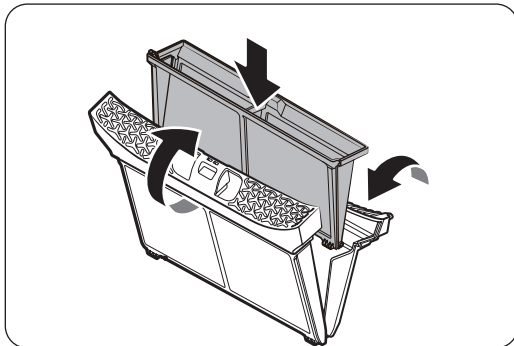
2. Open the outer filter and remove the inner filter (A).



3. Unfold both the inner filter and the outer filter.
4. Remove the lint from both filters, and then clean the filters with the cleaning brush.

NOTE

To clean the filters thoroughly, clean the filters in running water, and then dry them completely.



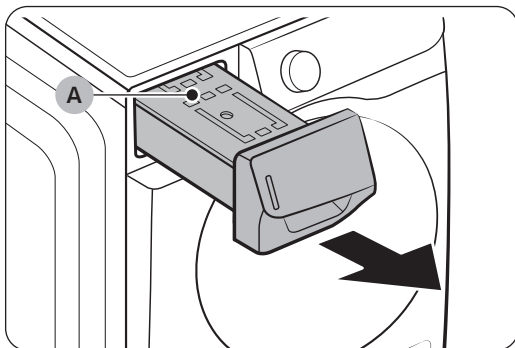
5. Put the inner filter into the outer filter, and then reinsert the lint filter into its original position.

⚠ CAUTION

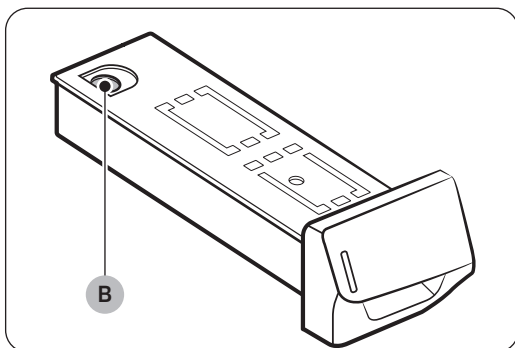
- Clean the lint filter after each load. Otherwise, the drying performance may decrease.
- Do not operate the dryer without the inner filter inside the outer filter.
- Using the dryer with a wet lint filter may cause mold, bad odors, or a decrease in drying performance.

Water tank

To avoid leaks, empty the water tank after every load.



1. Using both hands, pull the **water tank (A)** forward to remove.



2. Empty the water through the **drain hole (B)**, and then put the water tank back into place.

📄 NOTE

If you empty the water tank and then press and hold **Start/Pause (Hold to Start)**, the corresponding indicator turns off.

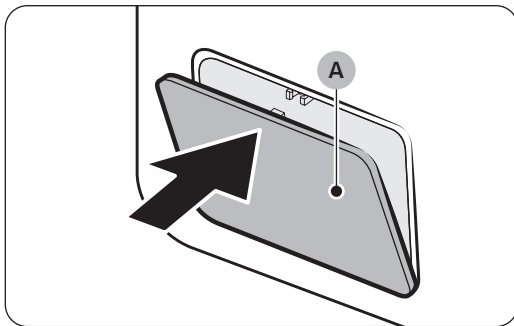
Maintenance

Heat exchanger

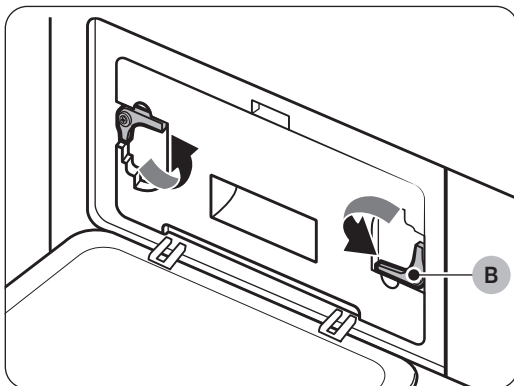
⚠ WARNING

Sharp Edges - to reduce the risk of injury, use care when cleaning the condenser or evaporator coil fins.

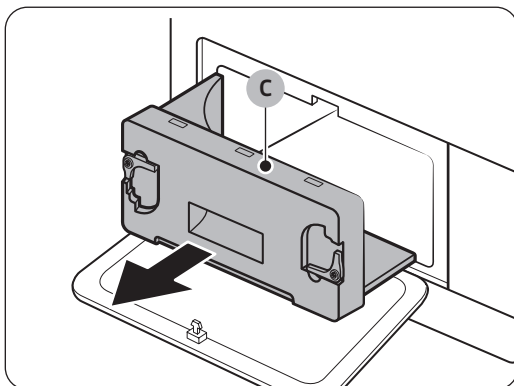
Clean the heat exchanger at least once a month. As a reminder, the heat exchanger indicator (🔌) lights up on the display when the heat exchanger needs to be cleaned.



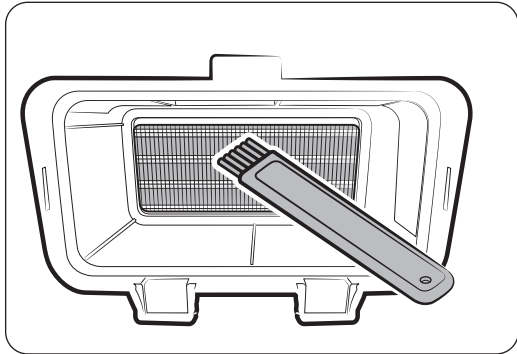
1. Gently press the top part of the **outer cover (A)** to open.



2. Unlock the **fixers (B)**.



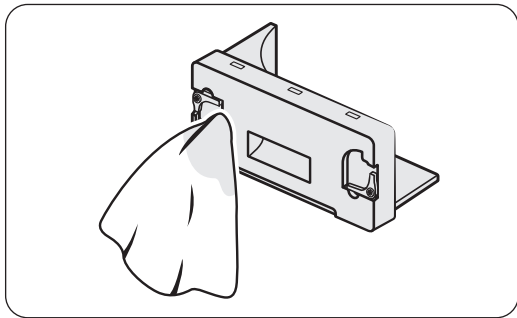
3. Remove the **inner cover (C)**.



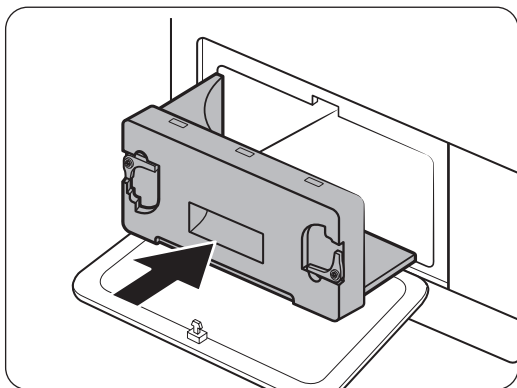
4. Clean the heat exchanger with the provided cleaning brush or a vacuum cleaner with a brush attachment. Take care not to bend or damage the heat exchanger fins when cleaning. This may lead to a decrease in drying performance.

⚠ CAUTION

- To avoid physical injury and burns, do not touch or clean the heat exchanger with bare hands.
- Do not use water to clean the heat exchanger.



5. Clean the inner cover with a smooth, damp cloth.



6. Reinsert the inner cover in its original position, and then lock the fixers.
7. Close the outer cover.

📄 NOTE

After cleaning, make sure the fixers are locked.

Troubleshooting

Checkpoints

If the dryer operates abnormally, first check the list of problems in the table below and try the suggested actions.

| Problem | Action |
|----------------|---|
| Does not run. | <ul style="list-style-type: none"> • Make sure the door is latched shut. • Make sure the power cord is plugged into a live electrical outlet. • Check your home's circuit breakers or fuses. • Press Start/Pause (Hold to Start) again if the door was opened during a cycle. • Clean the lint filter. |
| Does not heat. | <ul style="list-style-type: none"> • Check your home's circuit breakers or fuses. • Some cycles do not require heating. Check the selected cycle again. • Check the lint filter and heat exchanger. Clean them if necessary. • The dryer may have moved into the cool-down phase of the cycle. |
| Does not dry. | <ul style="list-style-type: none"> • Check all of the above, plus... • Dry heavy items and light weight items separately. • Large, bulky items, such as blankets or comforters, may require repositioning to ensure even drying. • Make sure that your washer is draining properly and extracting adequate water from the load. • The load may be too small to tumble properly. Add a few towels and restart the dryer. • The load may be too large to tumble properly. Remove some items so the dryer is half full, and then restart. • Clean the lint filter and heat exchanger. |
| Is noisy. | <ul style="list-style-type: none"> • Check the load for objects such as coins, loose buttons, nails, etc. Remove promptly. • Make sure the dryer is leveled properly as outlined in the installation instructions. • It is normal for the dryer to hum due to the high velocity of air moving through the dryer drum, fan, or Water Drain system. |

| Problem | Action |
|------------------|--|
| Dries unevenly. | <ul style="list-style-type: none"> • Seams, pockets, and other similarly heavy areas may not be completely dry when the rest of the load has reached the selected dryness level. This is normal. You can choose a higher dryness level or a cycle that involves a higher dryness level. • If one heavy item is dried with a light weight load, such as one towel with sheets, it is possible that the heavy item will not be completely dry when the rest of the load has reached the selected dryness level. • For the best drying results, dry heavy items and light weight items separately. |
| Lint on clothes. | <ul style="list-style-type: none"> • Make sure the lint filter is cleaned before every load. For clothes that naturally build up lint, clean the filter during the cycle. • Some fabrics are lint producers (for example, a fuzzy white cotton towel) and they must be dried separately from clothes that are lint trappers (for example, a pair of black linen pants). • Divide larger loads into smaller loads for drying. • Check pockets thoroughly before drying, then dry clothes. • Remove lint inside the drum before drying. |
| Extended time. | <ul style="list-style-type: none"> • Sensor Dry automatically senses the moisture in the load and shuts the dryer off when the selected dryness level is reached. • The drying time can change according to the type and amount of laundry. See the cycle chart for reference. • To prevent an overly long drying time, load no more than half full. |

If a problem persists, contact a local Samsung service center.

Troubleshooting

Information codes

If the dryer fails to operate, you may see an information code on the display panel. To determine what you should do, check the list of codes in the table below, and then try the suggested actions.

| Code | Meaning | Action |
|------|--|--|
| tC | Air temperature sensor issue | Clean the lint filter and/or heat exchanger. If this continues, call for service. |
| tC5 | Compressor temperature sensor issue | Wait 2-3 minutes. Turn the power on and restart. |
| dC | Running the dryer with door open | Close the door and restart. If this continues, call for service. |
| HC | Compressor overheat | Call for service. |
| 5C | Water tank full Drain pump is out of order | Empty the water tank, turn the power on, and restart. If this continues, call for service. |
| AC6 | Check communications between the main and the inverter PBAs. | <ul style="list-style-type: none">• Depending on the its state, the dryer may automatically return to normal operation.• Turn the dryer off and turn it on again. Then, restart the cycle.• If the information code continues to appear, call for service. |
| 3C | Check the motor for operation. | <ul style="list-style-type: none">• Try restarting the cycle.• If the information code continues to appear, call for service. |

If any information code keeps appearing on the screen, contact a Samsung service center.

Specifications



Fabric care chart

The following symbols provide garment care direction. The clothing care labels include symbols for drying. The use of symbols ensures consistency among garment manufacturers of domestic and imported items. Follow care label directions to optimize garment life and reduce laundering problems.

Tumble Dry Cycles

| | |
|---|--|
|  | Dry |
|  | Normal |
|  | Permanent Press |
|  | Delicate/Gentle |
|  | Do Not Dry (Used with Do Not Wash) |
|  | Do Not Tumble Dry |
|  | In the Shade (Added to Line Dry, Drip Dry or Dry Flat) |
|  | Line Dry/ Hang to Dry |
|  | Drip Dry |
|  | Dry Flat |

Tumble Dry Heat Setting

| | |
|---|--------------|
|  | Any Heat |
|  | High |
|  | Medium |
|  | Low |
|  | No Heat/ Air |

Specifications

Protecting the environment

This appliance is manufactured from recyclable materials. If you decide to dispose of this appliance, please observe local waste disposal regulations. Cut off the power cord so that the appliance cannot be connected to a power source. Remove the door so that animals and small children cannot get trapped inside the appliance.

Specification sheet

| Type | | Front loading dryer |
|-----------------------|---------|---------------------|
| Capacity (Cu.ft) | | 4.0 |
| Weight | lb (kg) | 110 (50) |
| Power consumption (W) | 240 V | 750 |

Cycle chart

| Cycle | | Recommended items | Dryness |
|------------|-------------|---|-------------------------|
| Sensor Dry | NORMAL | Cottons, Work clothes, Linen, Mixed loads | Normal Dry (Adjustable) |
| | HEAVY DUTY | Heavy fabrics such as jean, Corduroys, Heavy work clothes | Normal Dry (Adjustable) |
| | SHIRTS | Non-iron shirts or blouses made of synthetic fibers or blended fabrics. | Normal Dry (Adjustable) |
| | WOOL | For machine washable and tumble dryable wool only (Maximum amount : 3 lb) | Less Dry (No change) |
| | ACTIVEWEAR | Water-repellent wear, performance clothes, Sports wear | Normal Dry (No change) |
| | PERM PRESS | Shirts, Synthetic fabrics, Knits, Wrinkle-free cottons, Permanent | Normal Dry (Adjustable) |
| | DELICATES | Underwear, Blouses, Lingerie | Normal Dry (Adjustable) |
| Manual Dry | 40' EXPRESS | Small loads | - |
| | TIME DRY | Any load | - |
| | AIR FLUFF | Foam, rubber, plastic | - |
| | REFRESH | Shirts, trousers, pillows | - |

NOTE

- : factory setting, ●: can be selected

| Cycle | | Dryness setting | | |
|------------|-------------|-----------------|---|---|
| | | 3 | 2 | 1 |
| Sensor Dry | NORMAL | ● | ● | ● |
| | HEAVY DUTY | ● | ● | ● |
| | SHIRTS | ● | ● | ● |
| | WOOL | - | - | ● |
| | ACTIVE WEAR | - | ● | - |
| | PERM PRESS | ● | ● | ● |
| | DELICATES | ● | ● | ● |
| Manual Dry | 40' EXPRESS | - | - | - |
| | TIME DRY | - | - | - |
| | AIR FLUFF | - | - | - |
| | REFRESH | - | - | - |

| Cycle | | Damp Alert | Wrinkle Prevent |
|------------|-------------|------------|-----------------|
| Sensor Dry | NORMAL | ● | ● |
| | HEAVY DUTY | ● | ● |
| | SHIRTS | ● | ● |
| | WOOL | - | ● |
| | ACTIVE WEAR | - | ● |
| | PERM PRESS | ● | ● |
| | DELICATES | ● | ● |
| Manual Dry | 40' EXPRESS | - | ● |
| | TIME DRY | - | ● |
| | AIR FLUFF | - | ● |
| | REFRESH | - | ● |

Warranty (U.S.A)

SAMSUNG DRYER

LIMITED WARRANTY TO ORIGINAL CONSUMER PURCHASER WITH PROOF OF PURCHASE AND/OR PROOF OF DELIVERY

This SAMSUNG brand product, as supplied and distributed by SAMSUNG ELECTRONICS AMERICA, INC.(SAMSUNG) and delivered new, in the original carton to the original consumer purchaser, is warranted by SAMSUNG against manufacturing defects in materials or workmanship for the following limited warranty periods, starting on the date of delivery to the original consumer purchaser:

One (1) Year All Parts and Labor

This limited warranty is valid only on products purchased and used in the United States that have been installed, operated, and maintained according to the instructions attached to or furnished with the product. To receive warranty service, the purchaser must contact SAMSUNG at the address or phone number provided below for problem determination and service procedures. Warranty service can only be performed by a SAMSUNG authorized service center. The original dated bill of sale and/or proof of delivery must be presented upon request to SAMSUNG or SAMSUNG's authorized service center to receive warranty service.

SAMSUNG will provide in-home service within the contiguous United States during the warranty period at no charge, subject to availability of SAMSUNG authorized servicers within the customer's geographic area. If in-home service is not available, SAMSUNG may elect, at its option, to provide transportation of the product to and from an authorized service center. If the product is located in an area where service by a SAMSUNG authorized servicer is not available, you may be responsible for a trip charge or required to bring the product to a SAMSUNG authorized service center for service.

To receive in-home service, product must be unobstructed and accessible to the service agent.

During the applicable warranty period, a product will be repaired, replaced, or the purchase price refunded, at the sole option of SAMSUNG. SAMSUNG may use new or reconditioned parts in repairing a product, or replace the product with a new or reconditioned product. Replacement parts and products are warranted for the remaining portion of the original product's warranty or ninety (90) days, whichever is longer. All replaced parts and products are the property of SAMSUNG and you must return them to SAMSUNG.

This limited warranty covers manufacturing defects in materials or workmanship encountered in normal household, noncommercial use of this product and shall not cover the following: damage that occurs in shipment, delivery, installation, and uses for which this product was not intended; damage caused by unauthorized modification or alteration of the product; product where the original factory serial numbers have been removed, defaced, changed in any way, or cannot be readily determined; cosmetic damage including scratches, dents, chips, and other damage to the product's finishes; damage caused by abuse, misuse, pest infestations, accident, fire, floods, or other acts of nature or God; damage caused by use of equipment, utilities, services, parts, supplies, accessories, applications, installations, repairs, external wiring or connectors not supplied or authorized by SAMSUNG; damage caused by incorrect electrical line current, voltage, fluctuations and surges; damage caused by failure to operate and maintain the product according to instructions; in-home instruction on how to use your product; and service to correct installation not in accordance with electrical or plumbing codes or correction of household electrical or plumbing (i.e., house wiring, fuses, or water inlet hoses). The cost of repair or replacement under these excluded circumstances shall be the customer's responsibility.

Visits by a Service Engineer to explain functions, maintenance or installation is not covered by warranty. Please contact your Samsung call agent for help with any of these issues.

EXCLUSION OF IMPLIED WARRANTIES

IMPLIED WARRANTIES, INCLUDING THE IMPLIED WARRANTIES OF MERCHANTABILITY OR FITNESS FOR A PARTICULAR PURPOSE, ARE LIMITED TO ONE YEAR OR THE SHORTEST PERIOD ALLOWED BY LAW. Some states do not allow limitations on how long an implied warranty lasts, so the above limitations or exclusions may not apply to you. This warranty gives you specific rights, and you may also have other rights, which vary from state to state.

Warranty (U.S.A)

LIMITATION OF REMEDIES

YOUR SOLE AND EXCLUSIVE REMEDY IS PRODUCT REPAIR, PRODUCT REPLACEMENT, OR REFUND OF THE PURCHASE PRICE AT SAMSUNG'S OPTION, AS PROVIDED IN THIS LIMITED WARRANTY. SAMSUNG SHALL NOT BE LIABLE FOR SPECIAL, INCIDENTAL OR CONSEQUENTIAL DAMAGES, INCLUDING BUT NOT LIMITED TO TIME WAY FROM WORK, HOTELS AND/OR RESTAURANT MEALS, REMODELING EXPENSES, LOSS OF REVENUE OR PROFITS, FAILURE TO REALIZE SAVINGS OR OTHER BENEFITS REGARDLESS OF THE LEGAL THEORY ON WHICH THE CLAIM IS BASED, AND EVEN IF SAMSUNG HAS BEEN ADVISED OF THE POSSIBILITY OF SUCH DAMAGES. Some states do not allow exclusion or limitation of incidental or consequential damages, so the above limitations or exclusions may not apply to you. This warranty gives you specific rights, and you may also have other rights, which vary from state to state.

SAMSUNG does not warrant uninterrupted or error-free operation of the product. No warranty or guarantee given by any other person, firm, or corporation with respect to this product shall be binding on SAMSUNG.

To obtain warranty service, please contact SAMSUNG at:

Samsung Electronics America, Inc.

85 Challenger Road

Ridgefield Park, NJ 07660

1-800-SAMSUNG (726-7864)

www.samsung.com/us/support

Warranty (CANADA)

SAMSUNG DRYER

LIMITED WARRANTY TO ORIGINAL PURCHASER

This SAMSUNG brand product, as supplied and distributed by SAMSUNG ELECTRONICS CANADA, INC. (SAMSUNG) and delivered new, in the original carton to the original consumer purchaser, is warranted by SAMSUNG against manufacturing defects in materials and workmanship for a limited warranty period of:

- One (1) year part and labor

This limited warranty begins on the original date of purchase, and is valid only on products purchased and used in the Canada.

To receive warranty service, the purchaser must contact SAMSUNG for problem determination and service procedures.

Warranty service can only be performed by a SAMSUNG authorized service center.

The original dated bill of sale must be presented upon request as proof of purchase to SAMSUNG or SAMSUNG's authorized service center.

SAMSUNG will provide in-home service during the warranty period at no charge, subject to availability within the Canada.

In-home service is not available in all areas.

To receive in-home service, product must be unobstructed and accessible to the service agent.

If service is not available, SAMSUNG may elect to provide transportation of the product to and from an authorized service center.

SAMSUNG will repair, replace, or refund this product at our option and at no charge as stipulated herein, with new or reconditioned parts or products if found to be defective during the limited warranty period specified above.

All replaced parts and products become the property of SAMSUNG and must be returned to SAMSUNG.

Replacement parts and products assume the remaining original warranty, or ninety (90) days, whichever is longer.

Warranty (CANADA)

This limited warranty covers manufacturing defects in materials and workmanship encountered in normal, noncommercial use of this product and shall not apply to the following: damage that occurs in shipment; delivery and installation; applications and uses for which this product was not intended; altered product or serial numbers; cosmetic damage or exterior finish; accidents, abuse, neglect, fire, water, lightning, or other acts of nature or God; use of products, equipment, systems, utilities, services, parts, supplies, accessories, applications, installations, repairs, external wiring or connectors not supplied or authorized by SAMSUNG that damage this product or result in service problems; incorrect electrical line voltage, fluctuations and surges; customer adjustments and failure to follow operating instructions, maintenance and environmental instructions that are covered and prescribed in the instruction book; product removal and reinstallation; problems caused by pest infestations.

This limited warranty does not cover problems resulting from incorrect electric current, voltage or supply, light bulbs, house fuses, house wiring, cost of a service call for instructions, or fixing installation errors.

SAMSUNG does not warrant uninterrupted or error-free operation of the product.

EXCEPT AS SET FORTH HEREIN, THERE ARE NO WARRANTIES ON THIS PRODUCT EITHER EXPRESS OR IMPLIED, AND SAMSUNG DISCLAIMS ALL WARRANTIES INCLUDING, BUT NOT LIMITED TO, ANY IMPLIED WARRANTIES OF MERCHANTABILITY, INFRINGEMENT OR FITNESS FOR A PARTICULAR PURPOSE.

NO WARRANTY OR GUARANTEE GIVEN BY ANY PERSON, FIRM, OR CORPORATION WITH RESPECT TO THIS PRODUCT SHALL BE BINDING ON SAMSUNG.

SAMSUNG SHALL NOT BE LIABLE FOR LOSS OF REVENUE OR PROFITS, FAILURE TO REALIZE SAVINGS OR OTHER BENEFITS, OR ANY OTHER SPECIAL, INCIDENTAL OR CONSEQUENTIAL DAMAGES CAUSED BY THE USE, MISUSE, OR INABILITY TO USE THIS PRODUCT, REGARDLESS OF THE LEGAL THEORY ON WHICH THE CLAIM IS BASED, AND EVEN IF SAMSUNG HAS BEEN ADVISED OF THE POSSIBILITY OF SUCH DAMAGES.

NOR SHALL RECOVERY OF ANY KIND AGAINST SAMSUNG BE GREATER IN AMOUNT THAN THE PURCHASE PRICE OF THE PRODUCT SOLD BY SAMSUNG AND CAUSING THE ALLEGED DAMAGE.

WITHOUT LIMITING THE FOREGOING, PURCHASER ASSUMES ALL RISK AND LIABILITY FOR LOSS, DAMAGE, OR INJURY TO PURCHASER AND PURCHASER'S PROPERTY AND TO OTHERS AND THEIR PROPERTY ARISING OUT OF THE USE, MISUSE, OR INABILITY TO USE THIS PRODUCT.

THIS LIMITED WARRANTY SHALL NOT EXTEND TO ANYONE OTHER THAN THE ORIGINAL PURCHASER OF THIS PRODUCT, IS NONTRANSFERABLE AND STATES YOUR EXCLUSIVE REMEDY.

Some provinces do not allow limitations on how long an implied warranty lasts, or the exclusion or limitation of incidental or consequential damages, so the above limitations or exclusions may not apply to you.

This warranty gives you specific rights, and you may also have other rights, which vary from province to province.

To obtain warranty service, please contact SAMSUNG at:

Samsung Electronics Canada Inc.

2050 Derry Road West,

Mississauga, Ontario L5N 0B9 Canada

1-800-SAMSUNG (726-7864)

www.samsung.com/ca/support (English)

www.samsung.com/ca_fr/support (French)

Visits by a Service Engineer to explain functions, maintenance or installation is not covered by warranty.

Please contact your Samsung call agent for help with any of these issues.



Scan the QR code* or visit
www.samsung.com/spsn
 to view our helpful
 How-to Videos and Live Shows

*Requires reader to be installed on your smartphone

Scan this with your smartphone



This product qualifies for ENERGY STAR in the factory default “Normal” setting. If you change the factory default setting or enable other features, power consumption could increase and exceed the limits qualified for ENERGY STAR.

QUESTIONS OR COMMENTS?

| COUNTRY | CALL | OR VISIT US ONLINE AT |
|---------|--------------------------|---|
| U.S.A | 1-800-SAMSUNG (726-7864) | www.samsung.com/us/support |
| CANADA | 1-800-SAMSUNG(726-7864) | www.samsung.com/ca/support (English) www.samsung.com/ca_fr/support (French) |