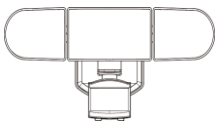
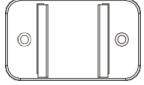






Questions, problems, missing parts?

Before returning to your retailer, call our customer service at **855-232-6423**
Monday – Friday 8:00 a.m. – 8:00 p.m. (EST)

PACKAGE CONTENTS

	
A	B
Light Fixture x 1	Mounting Bracket x 1
	
C	D
Plastic Anchor x 2	Mounting Screw x 2

⚠ Read all instructions before installation, then store in a safe place for future reference. Failure to do so may result in faulty assembly and potential injury.

SAFETY INFORMATION

- Your light is not a toy. Keep it out of reach from small children.
- If using a step ladder, you may require a second person to help install the light.
- Prior to installation, lay out all components and check against the part list section in this manual.
- CAUTION! Never look directly into the light when illuminated.

CLEANING AND MAINTENANCE: To prolong the original appearance, clean the light fixture with a soft, damp cloth. Do not use paints, solvents, or other chemicals on this light fixture. They could cause a premature deterioration of the finish.

LOCATION: Fixture can be wall mounted.

Recommended installation height: 6 - 8 feet above the ground.

Some environmental factors may affect the sensor range and could result in a reduction in sensor detection distance.

It is recommended not to mount the fixture near a heat source like an air conditioner, vent, or furnace exhaust, or in a direction facing a light reflecting object.

FEATURES:

Motion sensor:

AUTO Mode - At night, turns light ON automatically when motion is detected and turns light OFF automatically after all motion is stopped.

ON Mode - The light will be turned on during the day or night.

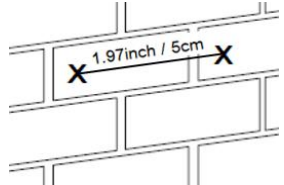
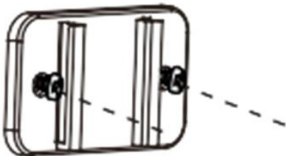
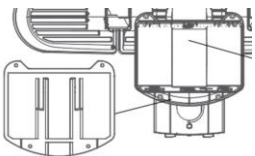




- Adjustable motion sensor
- Adjustable time and sensitivity settings

PREPARATION: Tools required for assembly (not included): Phillips screwdriver, safety goggles, power drill and ladder.

INSTALLATION AND OPERATION INSTRUCTIONS

INSTALLATION

- Gently remove all parts from the package and lay them out on a smooth surface.

 <p>1. Place the mounting plate on the chosen surface as shown and mark the position of the 2 holes (The hole distance is around 1.97inch / 5cm).</p>	 <p>2. Use a power drill (not included) to drill two 13/64 inch holes into the mounting surface. Insert the plastic anchors (C) in the holes and fasten the mounting bracket (B) onto the wall with attached mounting screws(D).</p>	 <p>3. Loose and remove these four screws at the back of light. Then take off the back cover of the light.</p>	 <p>4. Insert three new alkaline D size 1.5V batteries (not included). Do not mix old and new batteries. Make sure the polarity are all correct.</p>
 <p>5. Then close the back cover and secure it by attached four screws.</p>	 <p>6. Buckle the motion light into the mounting bracket securely.</p>	 <p>7. Installation is completed.</p>	

OPERATIONAL INSTRUCTIONS

1. Mode button switch:

Inserting the new batteries for the first time and push **Mode** button once the light will turn on and enter a "warm-up" period for about **15** seconds, then automatically entering into Auto Mode. At night, turns light ON automatically when motion is detected and turns light OFF automatically in setting time after all motion is stopped.

Push **Mode** button once again. The light will enter ON mode. The light will turned on during the day or night.

This will allow a limited period of constant illumination.

Push **Mode** button once again. The light will turned off.

Push **Mode** button once again. The light will enter Auto mode again. Circle in order to change these mode.

2. Setting the sensor adjustment rotary switch as your desired setting before use.

TIME: Determines the duration of the light once motion is detected: 30 seconds, 60 seconds or 120 seconds.

- Test: Allows the positioning of the light's motion sensor to be tested day or night. Once the motion sensor is in the desired position, attempt to trigger the light by moving in the intended detection zone.

If the light illuminates, the motion sensor is positioned correctly. You are now ready to move the switch to the preferred duration option.

The light will now only turn on in darkness at Auto mode.

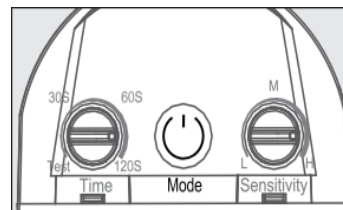
SENSITIVITY: Controls the distance of the range of motion detection: low, medium or high.

Adjust the head of light fixture toward to left or right direction to get the desired light direction.

Adjust the head of light fixture toward to up and down to get the desired light direction.

Sensor Range: Up to 9 m / 30 ft. x 180 degree spread (Varies with various environment).

Lumens output: 1,500 lumens / 5,000K (Max, use three new alkaline D size 1.5V batteries).



BATTERY REPLACEMENT

Use only new alkaline D size batteries with 1.5V rating for replacement.

- Non-rechargeable batteries are not to be recharged.
- Do not mix old and new batteries.

- Do not mix alkaline, standard (carbon-zinc) or rechargeable batteries.

- Exhausted batteries are to be removed from the product.
- Do not dispose of batteries in fire.
- Batteries should be recycled or disposed of as per state and local guidelines.
- Batteries are to be inserted with the correct polarity.

Note: While the batteries are exhausted the light will not turn on.

TROUBLESHOOTING

The light does not come on

- ✓ Check the battery and make sure that it has contact to the metal plate and the polarity is correct.
If the battery is worn out, replace the battery with three new D size batteries.
Light sensor only allows light to activate in darkness at Auto position.

ONE-YEAR LIMITED WARRANTY: If, during normal use, this PATRIOT LIGHTING® lighting fixture breaks or fails due to a defect in material and workmanship within one (1) year from the date of original purchase, simply bring this lighting fixture with the original sales receipt back to your nearest MENARDS® retail store. At its discretion, PATRIOT LIGHTING® agrees to have the product or any defective part(s) repaired or replaced with the same or similar PATRIOT LIGHTING® product or part free of charge, within the stated warranty period, when returned by the original purchaser with original sales receipt. This warranty; (1) excludes expendable parts including but not limited to light bulbs and batteries; (2) does not cover damage that has resulted from abuse or misuse; and (3) does not cover any losses, labor, injuries to persons/property or costs. This warranty does give you specific legal rights and you may have other rights, which vary from state to state.



Questions, problems, missing parts?

Before returning to your retailer, call our customer service at **855-232-6423**
Monday – Friday 8:00 a.m. – 8:00 p.m. (EST)