

## 24" MINIMAL HANDLELESS OVENS AND COMPANIONS

---

# PLANNING GUIDE

---

**SERIES 11 SELF-CLEANING OVEN** | OB24SAMPUNB5, OB24SAMPUNG5

**SERIES 11 COMBI-STEAM OVEN** | OS24SAMHUNB5, OS24SAMHUNG5

**SERIES 11 COMPACT COMBI-STEAM OVEN** | OS24NAMHUNB5, OS24NAMHUNG5

**SERIES 11 COMPACT CONVECTION-SPEED OVEN** | OM24NMUNB5, OM24NMUNG5

**SERIES 9 WARMING DRAWER** | WB24SMB3, WB24SMG3



# CONTENTS | 24" OVENS AND COMPANIONS

## INTRODUCTION

This comprehensive planning guide provides you with the framework and tools to achieve your desired design outcome with Fisher & Paykel appliances. In this guide, you will find a range of conceptual, detailed, and dimensional product information to bring your ideas to life and create spaces that truly reflect your vision.

## SUPPORT

For additional design planning and installation support please contact the Fisher & Paykel design support team.  
**designsupport@fisherpaykel.com**

## NOTES

The models shown in this Planning Guide may not be available in all markets and are subject to change at any time. Refer to our website [fisherpaykel.com](http://fisherpaykel.com) for the latest document version. Product specifications may vary from those shown.  
 This Planning Guide should not be used as installation guidance for any product. Specific installation guidance will be available with the product on delivery and on our website.

CONCEPT DESIGN	PAGE
DESIGN CHOICE	
Styles	4
Minimal Handleless Style	5
Installation Options	6
Overview	7
SPECIFICATION GUIDE	
Self-Cleaning Oven	9
Combi-Steam Oven	10
Compact Combi-Steam Oven	11
Compact Convection-Speed Oven	12
Warming Drawer	13
Dimensions - Ovens	14
Dimensions - Compact Ovens and Built-in Coffee Maker	15
Services	16

DEVELOPED AND DETAILED DESIGN	PAGE
DATA SHEETS	
Self-Cleaning Oven	18
Combi-Steam Oven	19
Compact combi-Steam Oven	20
Compact Convection-Speed Oven	21
Warming Drawer	22

DEVELOPED AND DETAILED DESIGN	PAGE
PLANNING CONSIDERATIONS	
Cabinetry Preparation	24
Ventilation	25
Stack Height	26
SERVICES	
Power Connection and Electrical	28



## DESIGN CHOICE



**MINIMAL STYLE - HANDLELESS**

**MINIMAL STYLE**

**CONTEMPORARY STYLE**

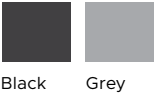
Celebrating a singular aesthetic to blend seamlessly into the kitchen, Minimal style ovens feature subtle textural and tonal contrasts for a sense of refinement and purity.

Defined by clean lines and timeless design cues, Contemporary style ovens bring a sense of balance and refinement. A versatile aesthetic that complements a range of kitchen styles.

This Planning Guide is for the Minimal Handleless Style featuring 60cm Ovens and Companions. For information on other styles, please visit the Fisher and Paykel website. To see what models are available, head to the 'Overview' section in this Planning Guide.

The models shown in this Planning Guide may not be available in all markets and are subject to change at any time. Product specifications may vary from those shown. This Planning Guide should not be used as installation guidance for any product. Further information is required to safely and correctly install the products featured here. Specific installation guidance will be available with the product on delivery and on our website [fisherpaykel.com](https://fisherpaykel.com)

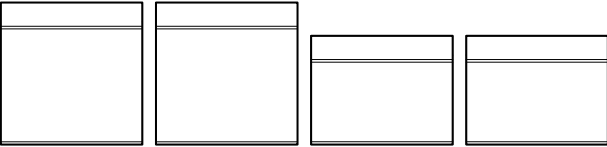
FINISH



Black Grey

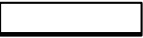
OVENS

SELF-CLEANING COMBI-STEAM CONVECTION-SPEED

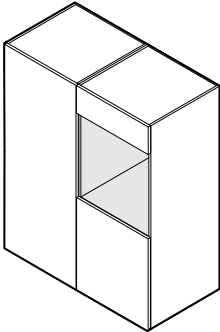


COMPANIONS

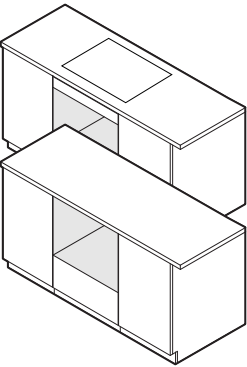
WARMING DRAWER



INSTALLATION OPTIONS



Installation in wall



Installation under-bench

The models shown in this Planning Guide may not be available in all markets and are subject to change at any time. Product specifications may vary from those shown. This Planning Guide should not be used as installation guidance for any product. Further information is required to safely and correctly install the products featured here. Specific installation guidance will be available with the product on delivery and on our website fisherpaykel.com



**CONSIDERATIONS**

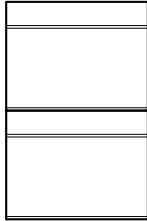
Different configurations possible, consider heights for grid and row installations.

**STACK HEIGHT**

Stack Height is overall product height with minimum clearance above appliance front panel to upper cabinetry front panel or appliance.

**STACKED INSTALLATION**

Stack Height  
36 7/32" (920mm)



Stack Height  
41 3/4" (1060mm)

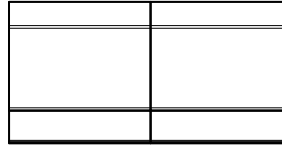


Stack Height  
47 1/4" (1200mm)

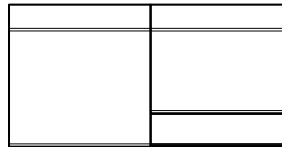


**GRID INSTALLATION**

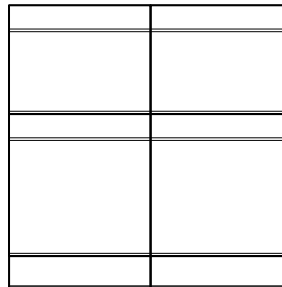
Stack Height  
23 5/8" (600mm)



Stack Height  
23 5/8" (600mm)

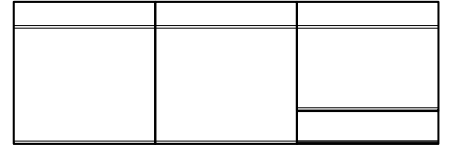


Stack Height  
47 1/4" (1200mm)



**ROW INSTALLATION**

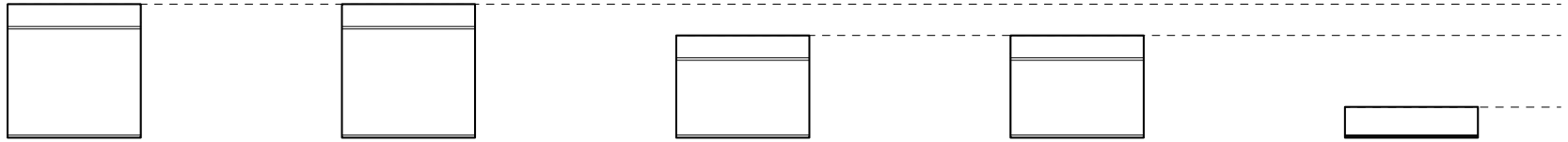
Stack Height  
23 5/8" (600mm)



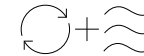
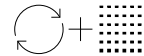
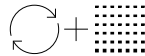
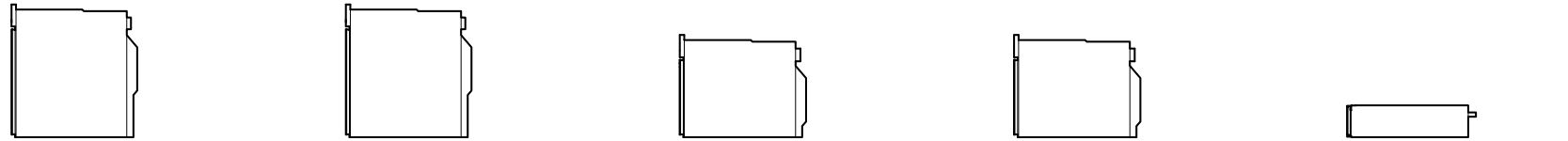
The models shown in this Planning Guide may not be available in all markets and are subject to change at any time. Product specifications may vary from those shown. This Planning Guide should not be used as installation guidance for any product. Further information is required to safely and correctly install the products featured here. Specific installation guidance will be available with the product on delivery and on our website [fisherpaykel.com](http://fisherpaykel.com)



FRONT ELEVATION



SIDE ELEVATION

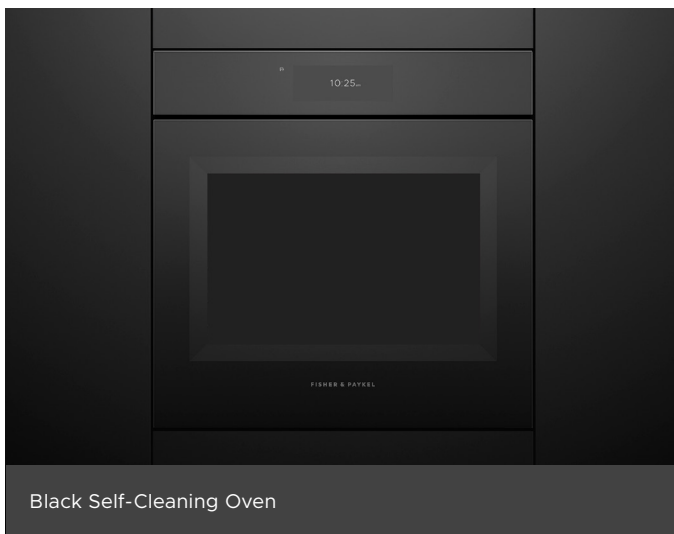


	SELF-CLEANING OVEN	COMBI-STEAM OVEN	COMPACT COMBI-STEAM OVEN	COMPACT CONVECTION-SPEED OVEN	WARMING DRAWER
Series	Series 11	Series 11	Series 11	Series 11	Series 9
Black Models	OB24SAMPUNB5	OS24SAMHUNB5	OS24NAMHUNB5	OM24NMUNB5	WB24SMB3
Grey Models	OB24SAMPUNG5	OS24SAMHUNG5	OS24NAMHUNG5	OM24NMUNG5	WB24SMG3
Interface	6.8" Touchscreen	6.8" Touchscreen	6.8" Touchscreen	6.8" Touchscreen	-
Overall Height	23 9/16" (598mm)	23 9/16" (598mm)	18" (458mm)	18" (458mm)	5 1/2" (140mm)
Overall Width	23 7/16" (596mm)	23 7/16" (596mm)	23 7/16" (596mm)	23 7/16" (596mm)	23 7/16" (596mm)
Control Panel/Front Panel Thickness	13/16" (20mm)	13/16" (20mm)	13/16" (20mm)	13/16" (20mm)	13/16" (20mm)

The models shown in this Planning Guide may not be available in all markets and are subject to change at any time. Product specifications may vary from those shown. This Planning Guide should not be used as installation guidance for any product. Further information is required to safely and correctly install the products featured here. Specific installation guidance will be available with the product on delivery and on our website [fisherpaykel.com](http://fisherpaykel.com)

# **SPECIFICATION GUIDE**

## SERIES 9 & 11



**OVERVIEW**

Designed to complement Minimal style appliances, this handleless oven offers a sleek, uninterrupted finish – ideal for true handleless kitchen designs. The pyrolytic self cleaning function breaks down food residue for an easy clean, while the precise cooking methods with temperature and heat type recommendations for a wide range of food types are easily accessed via the large touch screen and SmartHQ™.

**PRODUCTS**

**OB24SAMPUNB5 - Black**  
24" Series 11 Minimal Handleless Self-Cleaning Oven

**OB24SAMPUNG5 - Grey**  
24" Series 11 Minimal Handleless Self-Cleaning Oven

**SERIES & STYLE**

Series 11  
Minimal Handleless

**ACCESSORIES**

- 1 Self-cleaning Proof Side Ladders
- 2 Full Extension Sliding Shelf (x2)
- 3 Multi-functional Air Fry Tray

**FEATURES**

- 1 Handleless oven design ensures smooth, uninterrupted lines in kitchen cabinetry for a cohesive look
- 2 Self-cleaning pyrolytic function breaks down food residue for an easy clean
- 3 Effortlessly open and close the oven with a gentle press of a button, ensuring convenience and smooth operation in the kitchen
- 4 Generous 2.5 cu ft useable capacity
- 5 Large 6.8" touchscreen is intuitive and easy to use
- 6 Create perfect results with precise cooking methods, with temperature and heat type recommendations for your food type
- 7 Moisture control and even heat distribution thanks to ActiveVent™ and AeroTech™ technology
- 8 Includes a wired temperature sensor for real-time monitoring of cooking temperatures
- 9 Connected capability via the SmartHQ™ app gives control & visibility from anywhere at anytime

**ACCESSORIES**

- 4 Roasting Dish
- 5 Wired Temperature Sensor



Black Self-Cleaning Oven

Grey Self-Cleaning Oven

The models shown in this Planning Guide may not be available in all markets and are subject to change at any time. Product specifications may vary from those shown. This Planning Guide should not be used as installation guidance for any product. Further information is required to safely and correctly install the products featured here. Specific installation guidance will be available with the product on delivery and on our website [fisherpaykel.com](http://fisherpaykel.com)





**OVERVIEW**

Designed to complement Minimal style appliances, this handleless Combi-Steam oven offers a sleek, uninterrupted finish – ideal for true handleless kitchen designs. With versatile cooking options including steam or convection, plus a Steam Clean function for easy maintenance. Precise cooking methods with temperature and heat type recommendations for a wide range of food types are easily accessed via the large touch screen and SmartHQ™.

**PRODUCTS**

**OS24SAMHUNB5 - Black**  
24" Series 11 Minimal Handleless Combi-Steam Oven

**OS24SAMHUNG5 - Grey**  
24" Series 11 Minimal Handleless Combi-Steam Oven

**SERIES & STYLE**

Series 11  
Minimal Handleless

**ACCESSORIES**

- 1 Chrome Side Ladders
- 2 Full Extension Sliding Shelf (x2)
- 3 Multi-functional Air Fry Tray
- 4 Roasting Dish
- 5 Large Perforated Steam Dish

**FEATURES**

- 1 Handleless design ensures smooth, uninterrupted lines in kitchen cabinetry for a cohesive look
- 2 Versatile cooking options with steam or convection heat for optimal results
- 3 Effortlessly open and close the oven with a gentle press of a button, ensuring convenience and smooth operation in the kitchen
- 4 Generous 2.5 cu ft useable capacity
- 5 Large 6.8" touchscreen is intuitive and easy to use
- 6 Create perfect results with precise cooking methods, with temperature and heat type recommendations for your food type
- 7 Moisture control and even heat distribution thanks to ActiveVent™ and AeroTech™ technology
- 8 Steam Clean function ensures a spotless oven with minimal effort
- 9 Includes a wired temperature sensor for real-time monitoring of cooking temperatures
- 10 Connected capability via the SmartHQ™ app gives control & visibility from anywhere at anytime

**ACCESSORIES**

- 6 Small Perforated Steam Dish
- 7 Large Steam Dish
- 8 Wired Temperature Sensor
- 9 Descale Solution x2 sachets (Part 580295)



Grey Combi-Steam Oven

The models shown in this Planning Guide may not be available in all markets and are subject to change at any time. Product specifications may vary from those shown. This Planning Guide should not be used as installation guidance for any product. Further information is required to safely and correctly install the products featured here. Specific installation guidance will be available with the product on delivery and on our website [fisherpaykel.com](http://fisherpaykel.com)





**OVERVIEW**

Designed to complement Minimal style appliances, this handleless Combi-Steam oven offers a sleek, uninterrupted finish – ideal for true handleless kitchen designs. With versatile cooking options including steam or convection, plus a Steam Clean function for easy maintenance. Precise cooking methods with temperature and heat type recommendations for a wide range of food types are easily accessed via the large touch screen and SmartHQ™.

**PRODUCTS**

- OS24NAMHUNB5 - Black  
24" Series 11 Minimal Handleless Compact Combi-Steam Oven
- OS24NAMHUNG5 - Grey  
24" Series 11 Minimal Handleless Compact Combi-Steam Oven

**SERIES & STYLE**

Series 11  
Minimal Handleless

**ACCESSORIES**

- 1 Chrome Side Ladders
- 2 Full Extension Sliding Shelf
- 3 Wire Shelf
- 4 Multi-functional Air Fry Tray
- 5 Roasting Dish

**FEATURES**

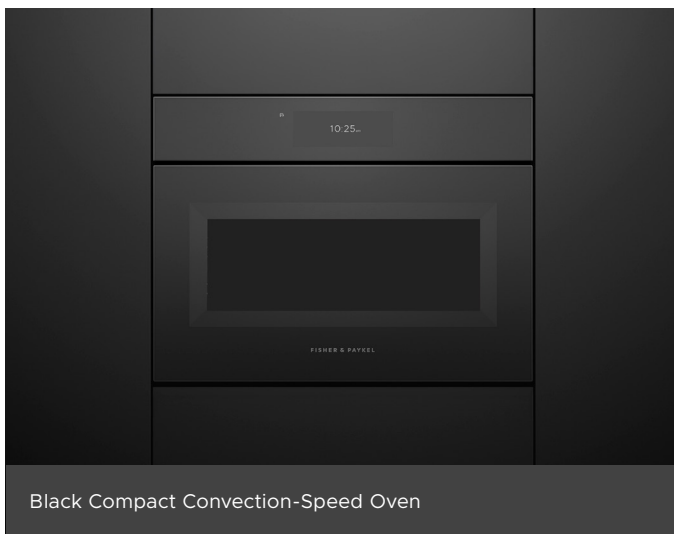
- 1 Handleless design ensures smooth, uninterrupted lines in kitchen cabinetry for a cohesive look
- 2 Versatile cooking options with steam or convection heat for optimal results
- 3 Effortlessly open and close the oven with a gentle press of a button, ensuring convenience and smooth operation in the kitchen
- 4 Compact 1.6 cu ft useable capacity
- 5 Large 6.8" touchscreen is intuitive and easy to use
- 6 Create perfect results with precise cooking methods, with temperature and heat type recommendations for your food type
- 7 Moisture control and even heat distribution thanks to ActiveVent™ and AeroTech™ technology
- 8 Steam Clean function ensures a spotless oven with minimal effort
- 9 Includes a wired temperature sensor for real-time monitoring of cooking temperatures
- 10 Connected capability via the SmartHQ™ app gives control & visibility from anywhere at anytime

**ACCESSORIES**

- 6 Large Perforated Steam Dish
- 7 Small Perforated Steam Dish
- 8 Large Steam Dish
- 9 Wired Temperature Sensor
- 10 Descale Solution x2 sachets (Part 580295)

The models shown in this Planning Guide may not be available in all markets and are subject to change at any time. Product specifications may vary from those shown. This Planning Guide should not be used as installation guidance for any product. Further information is required to safely and correctly install the products featured here. Specific installation guidance will be available with the product on delivery and on our website [fisherpaykel.com](http://fisherpaykel.com)





**OVERVIEW**

Designed to complement Minimal style appliances, this handleless Convection-Speed oven offers a sleek, uninterrupted finish – ideal for true handleless kitchen designs. Versatile cooking options including microwave or convection offer efficient heating across a variety of dishes. Precise cooking methods with temperature and heat type recommendations for a wide range of food types are easily accessed via the large touch screen and SmartHQ™.

**PRODUCTS**

**OM24NMUNB5 - Black**  
24" Series 11 Minimal Handleless Compact Convection-Speed Oven

**OM24NMUNG5 - Grey**  
24" Series 11 Minimal Handleless Compact Convection-Speed Oven

**SERIES & STYLE**

Series 11  
Minimal Handleless

**FEATURES**

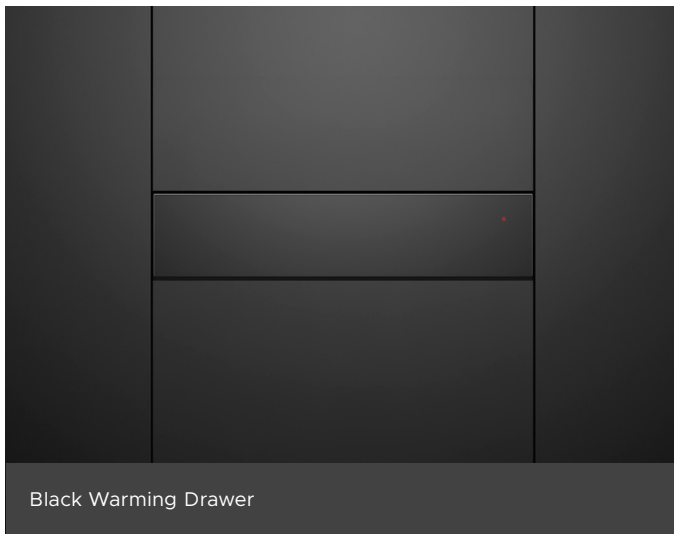
- 1 Handleless design ensures smooth, uninterrupted lines in kitchen cabinetry for a cohesive look
- 2 Combines fast microwave cooking with even convection heat for versatile, efficient heating across a variety of dishes
- 3 Effortlessly open and close the oven with a gentle press of a button, ensuring convenience and smooth operation in the kitchen
- 4 Compact 1.3 cu ft useable capacity
- 5 Large 6.8" touchscreen is intuitive and easy to use
- 6 Create perfect results with precise cooking methods, with temperature and heat type recommendations for your food type
- 7 Versatile microwave only, convection only or combi-microwave functions to suit a range of cooking styles
- 8 Includes a wired temperature sensor for real-time monitoring of cooking temperatures
- 9 Connected capability via the SmartHQ™ app gives control & visibility from anywhere at anytime

**ACCESSORIES**

- 1 Chrome Side Ladders
- 2 Wire Shelf
- 3 Step Down Wire Shelf
- 4 Glass Tray
- 5 Broil Rack
- 6 Wired Temperature Sensor

The models shown in this Planning Guide may not be available in all markets and are subject to change at any time. Product specifications may vary from those shown. This Planning Guide should not be used as installation guidance for any product. Further information is required to safely and correctly install the products featured here. Specific installation guidance will be available with the product on delivery and on our website [fisherpaykel.com](http://fisherpaykel.com)





**OVERVIEW**

Designed to complement Minimal style appliances, this Warming Drawer delivers a seamless, flush finish – ideal for modern kitchen designs. Featuring a push-to-open mechanism, intuitive touch controls, and a smooth glass base for easy cleaning. With six tailored programmes and space for 6 place settings, it keeps meals ready to serve.

**PRODUCTS**

**WB24SMB3 - Black**  
24" Series 9 Minimal Warming Drawer

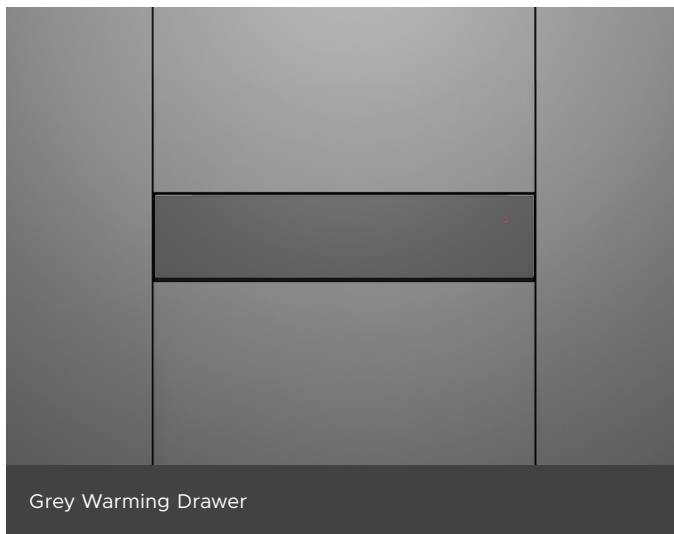
**WB24SMG3 - Grey**  
24" Series 9 Minimal Warming Drawer

**SERIES & STYLE**

Series 9  
Minimal

**FEATURES**

- 1** Minimal style is designed to fit flush with cabinetry. Matches our Minimal style family of appliances
- 2** Push-to-open drawer, designed for added convenience
- 3** Simple and intuitive touch controls for effortless operation
- 4** Easy-to-clean glass base
- 5** Automatic switch-off and delayed start functionality to help keep dishes warm until it is time to serve
- 6** Room for 6 standard-sized place settings
- 7** Six tailored programmes including Warming, Proofing, Dehydrating, and Slow Cooking offer convenience and flexibility

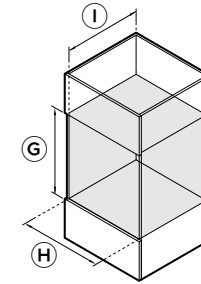
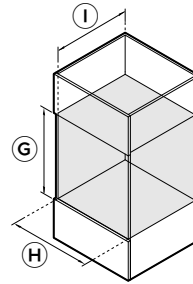
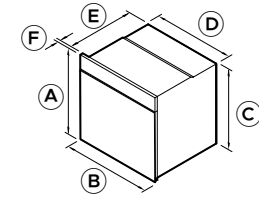
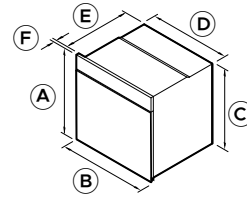


The models shown in this Planning Guide may not be available in all markets and are subject to change at any time. Product specifications may vary from those shown. This Planning Guide should not be used as installation guidance for any product. Further information is required to safely and correctly install the products featured here. Specific installation guidance will be available with the product on delivery and on our website [fisherpaykel.com](http://fisherpaykel.com)



PRODUCT DIMENSIONS

CAVITY DIMENSIONS



SELF-CLEANING OVEN

OB24SAMPUNB5, OB24SAMPUNG5

COMBI-STEAM OVEN

OS24SAMHUNB5, OS24SAMHUNG5

PRODUCT DIMENSIONS	
A	Overall product height
B	Overall product width
C	Chassis height
D	Chassis width
E	Chassis depth
F	Front frame depth
Door open depth at 90° (from product front)	

	inch	mm
A	23 9/16	598
B	23 7/16	596
C	22 5/8	575
D	21 7/8	556
E	21 7/16	545
F	13/16	20
Door open depth at 90° (from product front)	18 1/4	463

	inch	mm
A	23 9/16	598
B	23 7/16	596
C	22 5/8	575
D	21 7/8	556
E	21 7/16	545
F	13/16	20
Door open depth at 90° (from product front)	18 1/4	463

CAVITY DIMENSIONS	
G	Cavity height
H	Cavity width
I	Cavity depth (from chassis front datum)

	inch	mm
G	min 22 13/16	min 580
H	min 22 1/16	min 560
I	min 21 5/8	min 550

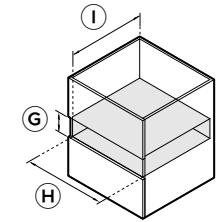
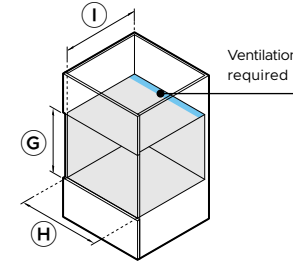
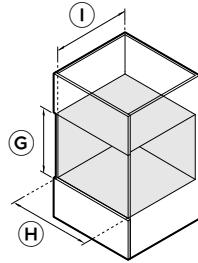
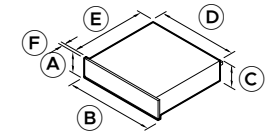
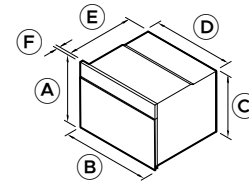
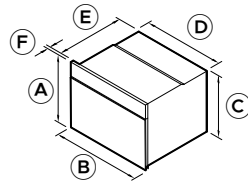
	inch	mm
G	min 22 13/16	min 580
H	min 22 1/16	min 560
I	min 21 5/8	min 550

The models shown in this Planning Guide may not be available in all markets and are subject to change at any time. Product specifications may vary from those shown. This Planning Guide should not be used as installation guidance for any product. Further information is required to safely and correctly install the products featured here. Specific installation guidance will be available with the product on delivery and on our website [fisherpaykel.com](http://fisherpaykel.com)



**PRODUCT DIMENSIONS**

**CAVITY DIMENSIONS**



PRODUCT DIMENSIONS	
<b>A</b> Overall product height	18
<b>B</b> Overall product width	23 7/16
<b>C</b> Chassis height	17 1/8
<b>D</b> Chassis width	21 7/8
<b>E</b> Chassis depth	21 7/16
<b>F</b> Front frame depth	13/16
Front panel height	-
Front panel width	-
Door open depth at 90° (from product front)	12 3/4
Drawer extension	-

\*Including power plug.

COMPACT COMBI-STEAM OVEN OS24NAMHUNB5, OS24NAMHUNG5		
	inch	mm
<b>A</b> Overall product height	18	458
<b>B</b> Overall product width	23 7/16	596
<b>C</b> Chassis height	17 1/8	435
<b>D</b> Chassis width	21 7/8	556
<b>E</b> Chassis depth	21 7/16	545
<b>F</b> Front frame depth	13/16	20
Front panel height	-	-
Front panel width	-	-
Door open depth at 90° (from product front)	12 3/4	324
Drawer extension	-	-

COMPACT CONVECTION-SPEED OVEN OM24NMUNB5, OM24NMUNG5		
	inch	mm
<b>A</b> Overall product height	18	458
<b>B</b> Overall product width	23 7/16	596
<b>C</b> Chassis height	17 1/8	435
<b>D</b> Chassis width	21 7/8	556
<b>E</b> Chassis depth	21 7/16	545
<b>F</b> Front frame depth	13/16	20
Front panel height	-	-
Front panel width	-	-
Door open depth at 90° (from product front)	12 3/4	324
Drawer extension	-	-

WARMING DRAWER WB24SMB3, WB24SMG3		
	inch	mm
<b>A</b> Overall product height	5 1/2	140
<b>B</b> Overall product width	23 7/16	596
<b>C</b> Chassis height	5 1/2	140
<b>D</b> Chassis width	21 3/8	543
<b>E</b> Chassis depth	21 9/17*	547*
<b>F</b> Front frame depth	13/16	20
Front panel height	5 3/8	136
Front panel width	23 7/16	596
Door open depth at 90° (from product front)	-	-
Drawer extension	max 16 5/16	max 414

CAVITY DIMENSIONS	
<b>G</b> Cavity height	min 17 5/16
<b>H</b> Cavity width	min 22 1/16
<b>I</b> Cavity depth (from chassis front datum)	min 21 5/8

	inch	mm
<b>G</b> Cavity height	min 17 5/16	min 440
<b>H</b> Cavity width	min 22 1/16	min 560
<b>I</b> Cavity depth (from chassis front datum)	min 21 5/8*	min 550*

	inch	mm
<b>G</b> Cavity height	min 17 5/16	min 440
<b>H</b> Cavity width	min 22 1/16	min 560
<b>I</b> Cavity depth (from chassis front datum)	min 21 5/8*	min 550*

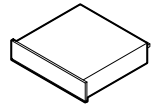
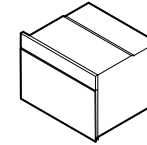
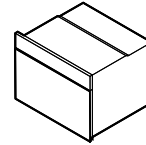
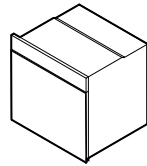
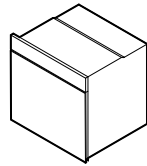
	inch	mm
<b>G</b> Cavity height	min 5 9/16	min 142
<b>H</b> Cavity width	min 22 1/16	min 560
<b>I</b> Cavity depth (from chassis front datum)	min 21 5/8	min 550

\*Minimum total ventilation area of 43.4in (280cm<sup>2</sup>) is required. The ventilation opening must be located at the rear of the cavity and may be positioned at the base, sides, or top of the cavity.  
Note: 24" Fisher & Paykel ovens can be installed directly onto the drawer. An intermediate shelf is not required.

The models shown in this Planning Guide may not be available in all markets and are subject to change at any time. Product specifications may vary from those shown. This Planning Guide should not be used as installation guidance for any product. Further information is required to safely and correctly install the products featured here. Specific installation guidance will be available with the product on delivery and on our website [fisherpaykel.com](http://fisherpaykel.com)



ISOMETRIC VIEW

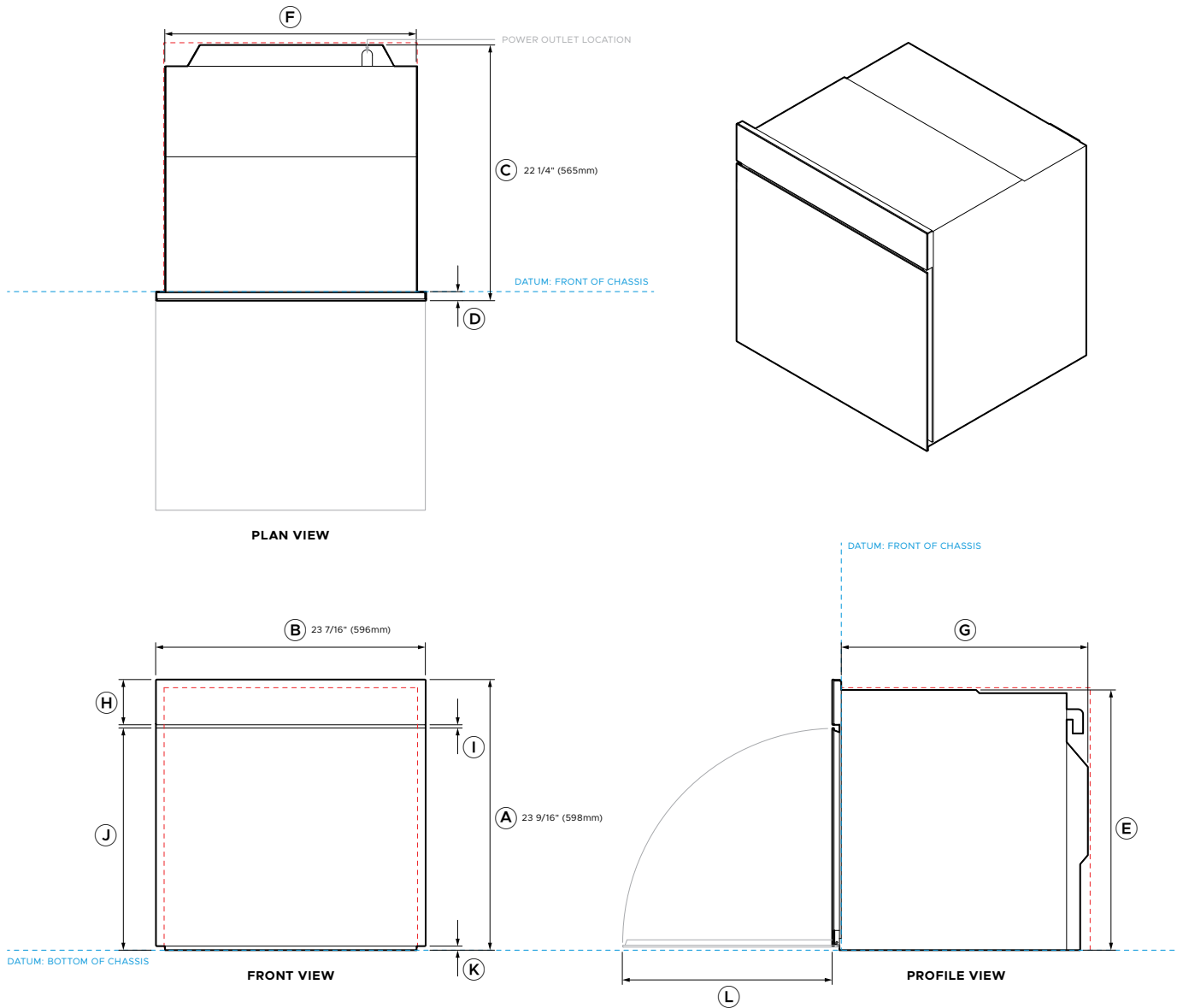


	<b>SELF-CLEANING OVEN</b> OB24SAMPUNB5, OB24SAMPUNG5	<b>COMBI-STEAM OVEN</b> OS24SAMHUNB5, OS24SAMHUNG5	<b>COMPACT COMBI-STEAM OVEN</b> OS24NAMHUNB5, OS24NAMHUNG5	<b>COMPACT CONVECTION-SPEED OVEN</b> OM24NMUNB5, OM24NMUNG5	<b>WARMING DRAWER</b> WB24SMB3, WB24SMG3
<b>PRODUCT REQUIREMENTS</b>					
Dedicated Circuit (A)	20	20	20	20	15
Rated Power (W)	4200 / 3200	4200 / 3200	4200 / 3200	3300 / 3900	930
Supply (Hz)	60	60	60	60	60
Voltage (V)	208 / 240	208 / 240	208 / 240	208 / 240	120
Connection	Hard-wired 48" (1220mm)*	Hard-wired 48" (1220mm)*	Hard-wired 48" (1220mm)*	Hard-wired 70 7/8" (1800mm)*	Flex cord 70 7/8" (1800mm)*
*Supplied with product. Note: For multi-residential installations, use the Rated Power to calculate the demand.					
<b>CAPACITY</b>					
Total Oven capacity	3cu ft (85L)	3cu ft (85L)	1.94cu ft (55L)	1.7cu ft (49L)	-
Total water tank capacity	-	47 fl oz (1.4L)	47 fl oz (1.4L)	-	-
Note: All Coffee Makers and Steam Ovens have internal water tanks which need to be filled manually. No external water supply is required.					
<b>WEIGHTS</b>					
Packaged	117lb (53kg)	143lb (65kg)	117lb (53kg)	105lb (48kg)	40lb (18kg)
Unpackaged	99lb (45kg)	117lb (53kg)	93lb (42kg)	84lb (38kg)	37lb (17kg)

The models shown in this Planning Guide may not be available in all markets and are subject to change at any time. Product specifications may vary from those shown. This Planning Guide should not be used as installation guidance for any product. Further information is required to safely and correctly install the products featured here. Specific installation guidance will be available with the product on delivery and on our website [fisherpaykel.com](http://fisherpaykel.com)



## DATA SHEETS



**Model no:**

**OB24SAMPUNB5**  
**OB24SAMPUNG5**

24" Series 11 Minimal Handleless Self-Cleaning Oven  
- Black  
24" Series 11 Minimal Handleless Self-Cleaning Oven  
- Grey

Product Dimensions		inch	mm
<b>A</b>	Overall product height	23 9/16	598
<b>B</b>	Overall product width	23 7/16	596
<b>C</b>	Overall product depth	22 1/4	565
<b>D</b>	Front frame depth	13/16	20
<b>E</b>	Chassis height	22 5/8	575
<b>F</b>	Chassis width	21 7/8	556
<b>G</b>	Chassis depth	21 7/16	545
<b>H</b>	Control panel height	3 15/16	100
<b>I</b>	Door-to-control panel gap	9/32	7
<b>J</b>	Door upper edge height (from chassis base datum)	19 5/16	491
<b>K</b>	Door lower edge height (from chassis base datum)	3/8	9
<b>L</b>	Door open depth at 90° (from product front)	8 1/4	463

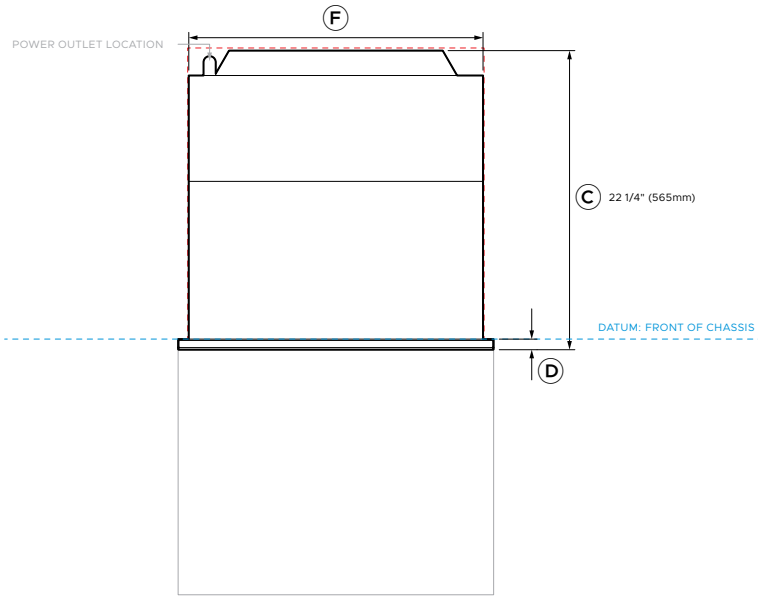
  

Minimum Clearances		inch	mm
	Cavity height	min 22 13/16	min 580
	Cavity width	min 22 1/16	min 560
	Cavity depth (from chassis front datum)	min 21 5/8	min 550
	Front frame clearance - top & sides	min 1/16	min 2

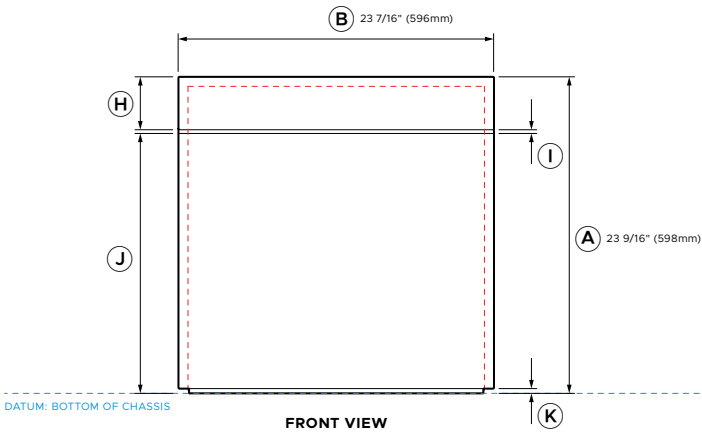
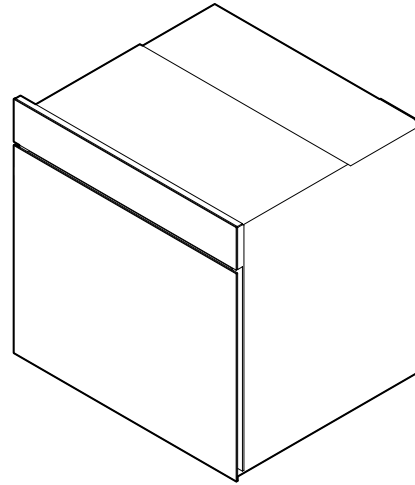
----- INDICATES PRODUCT DATUM  
----- INDICATES CABINETRY CLEARANCES

IMPORTANT NOTE: Throughout this guide, dimensions may vary by ±2mm (1/16"). Please read the installation manual for detailed information on installing the product. For full installation instructions & specifications visit [fisherpaykel.com](http://fisherpaykel.com)

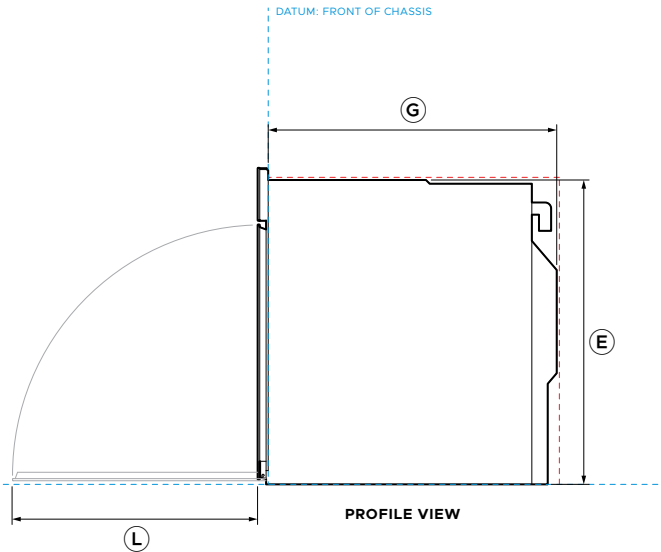




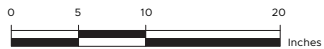
PLAN VIEW



FRONT VIEW



PROFILE VIEW



**Model no:**

- OS24SAMHUNB5** 24" Series 11 Minimal Handleless Combi-Steam Oven  
- Black
- OS24SAMHUNG5** 24" Series 11 Minimal Handleless Combi-Steam Oven  
- Grey

Product Dimensions		inch	mm
<b>A</b>	Overall product height	23 9/16	598
<b>B</b>	Overall product width	23 7/16	596
<b>C</b>	Overall product depth	22 1/4	565
<b>D</b>	Front frame depth	13/16	20
<b>E</b>	Chassis height	22 5/8	575
<b>F</b>	Chassis width	21 7/8	556
<b>G</b>	Chassis depth	21 7/16	545
<b>H</b>	Control panel height	3 15/16	100
<b>I</b>	Door-to-control panel gap	9/32	7
<b>J</b>	Door upper edge height (from chassis base datum)	19 5/16	491
<b>K</b>	Door lower edge height (from chassis base datum)	3/8	9
<b>L</b>	Door open depth at 90° (from product front)	8 1/4	463

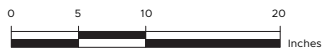
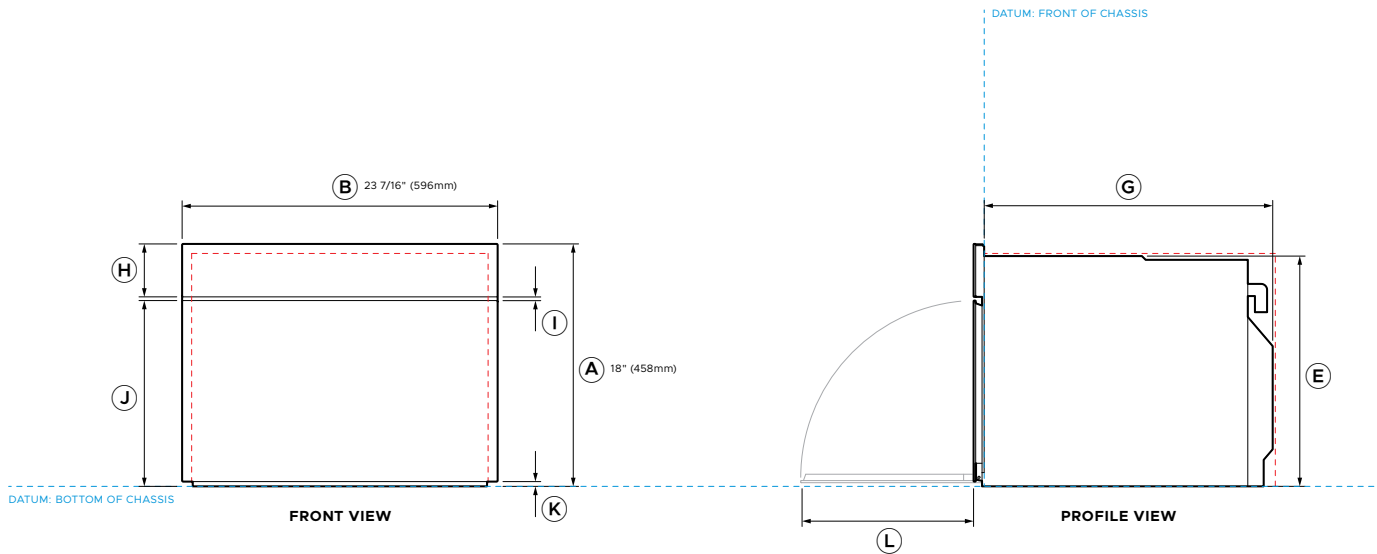
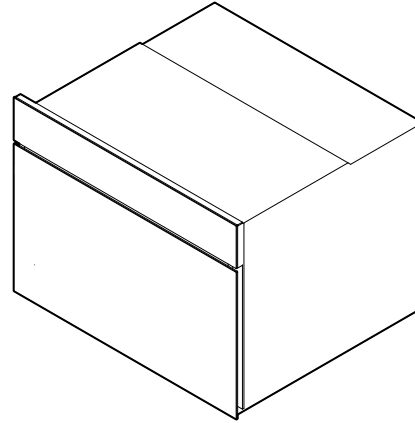
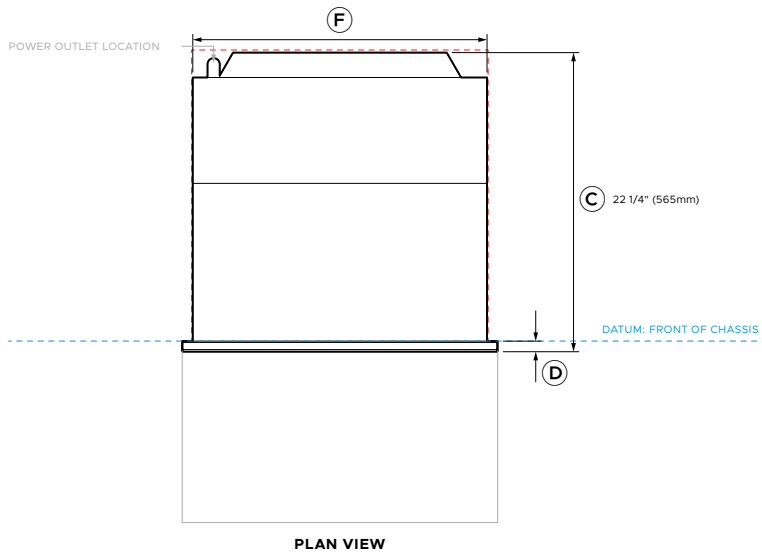
  

Minimum Clearances		inch	mm
	Cavity height	min 22 13/16	min 580
	Cavity width	min 22 1/16	min 560
	Cavity depth (from chassis front datum)	min 21 5/8	min 550
	Front frame clearance - top & sides	min 1/16	min 2

----- INDICATES PRODUCT DATUM  
 - - - - - INDICATES CABINETRY CLEARANCES

**IMPORTANT NOTE:** Throughout this guide, dimensions may vary by ±2mm (1/16"). Please read the installation manual for detailed information on installing the product. For full installation instructions & specifications visit [fisherpaykel.com](http://fisherpaykel.com)





**Model no:**

<b>OS24NAMHUNB5</b>	24" Series 11 Minimal Handleless Compact Combi-Steam Oven - Black
<b>OS24NAMHUNG5</b>	24" Series 11 Minimal Handleless Compact Combi-Steam Oven - Grey

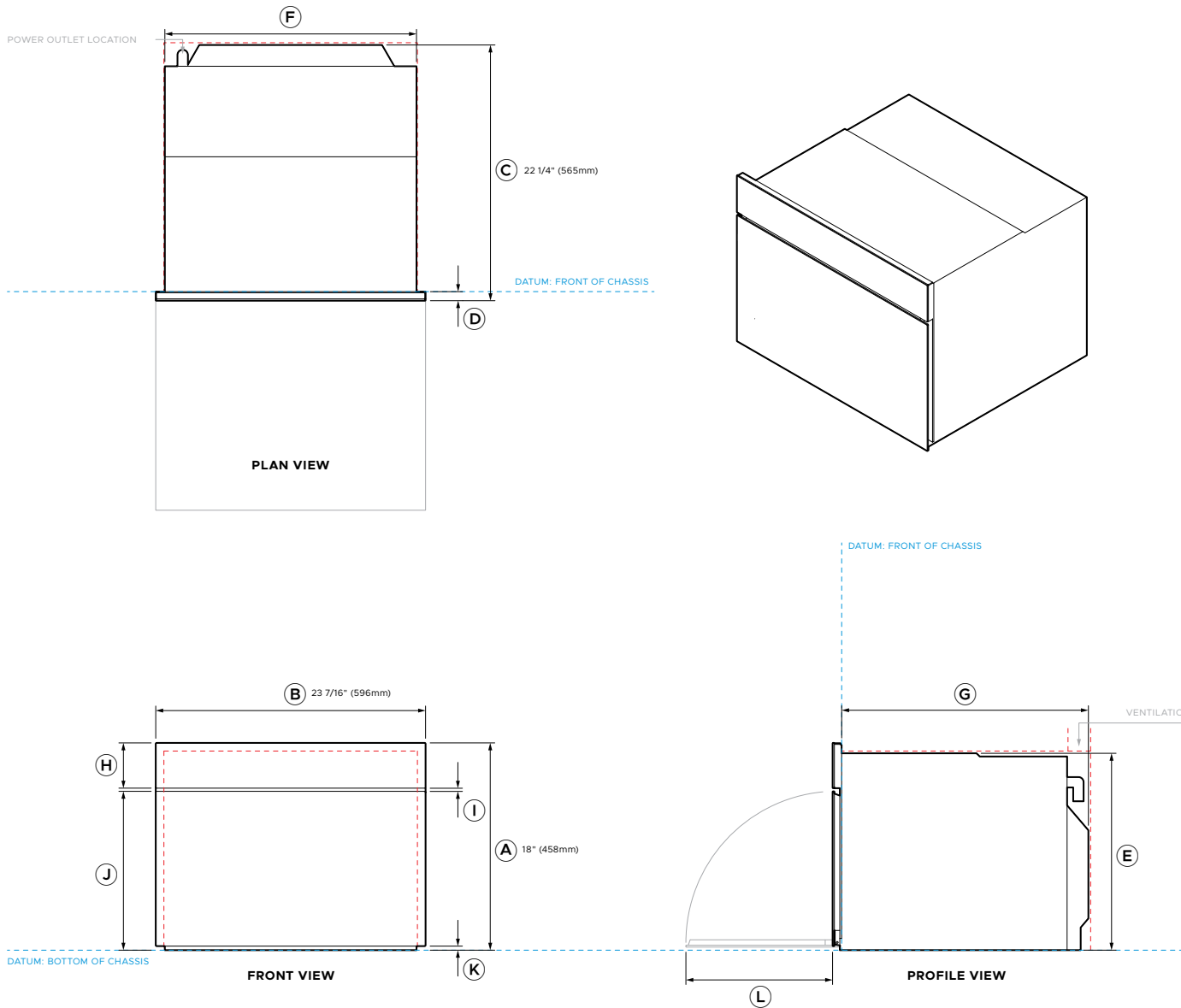
Product Dimensions	inch	mm
<b>A</b> Overall product height	18	458
<b>B</b> Overall product width	23 7/16	596
<b>C</b> Overall product depth	22 1/4	565
<b>D</b> Front frame depth	13/16	20
<b>E</b> Chassis height	17 1/8	435
<b>F</b> Chassis width	21 7/8	556
<b>G</b> Chassis depth	21 7/16	545
<b>H</b> Control panel height	3 15/16	100
<b>I</b> Door-to-control panel gap	9/32	7
<b>J</b> Door upper edge height (from chassis base datum)	13 13/16	351
<b>K</b> Door lower edge height (from chassis base datum)	3/8	9
<b>L</b> Door open depth at 90° (from product front)	12 3/4	324

Minimum Clearances	inch	mm
Cavity height	min 17 5/16	min 440
Cavity width	min 22 1/16	min 560
Cavity depth (from chassis front datum)	min 21 5/8	min 550
Front frame clearance - top & sides	min 1/16	min 2

----- INDICATES PRODUCT DATUM  
 - - - - - INDICATES CABINETRY CLEARANCES

IMPORTANT NOTE: Throughout this guide, dimensions may vary by ±2mm (1/16"). Please read the installation manual for detailed information on installing the product. For full installation instructions & specifications visit [fisherpaykel.com](http://fisherpaykel.com)





**Model no:**

- OM24NMUNB5** 24" Series 11 Minimal Handleless Compact Convection-Speed Oven - Black
- OM24NMUNG5** 24" Series 11 Minimal Handleless Compact Convection-Speed Oven - Grey

Product Dimensions		inch	mm
<b>A</b>	Overall product height	18	458
<b>B</b>	Overall product width	23 7/16	596
<b>C</b>	Overall product depth	22 1/4	565
<b>D</b>	Front frame depth	13/16	20
<b>E</b>	Chassis height	17 1/8	435
<b>F</b>	Chassis width	21 7/8	556
<b>G</b>	Chassis depth	21 7/16	545
<b>H</b>	Control panel height	3 15/16	100
<b>I</b>	Door-to-control panel gap	9/32	7
<b>J</b>	Door upper edge height (from chassis base datum)	13 13/16	351
<b>K</b>	Door lower edge height (from chassis base datum)	3/8	9
<b>L</b>	Door open depth at 90° (from product front)	12 3/4	324

Minimum Clearances		inch	mm
Cavity height		min 17 5/16	min 440
Cavity width		min 22 1/16	min 560
Cavity depth (from chassis front datum)		min 21 5/8	min 550
Front frame clearance - top & sides		min 1/16	min 2

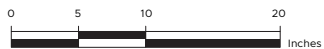
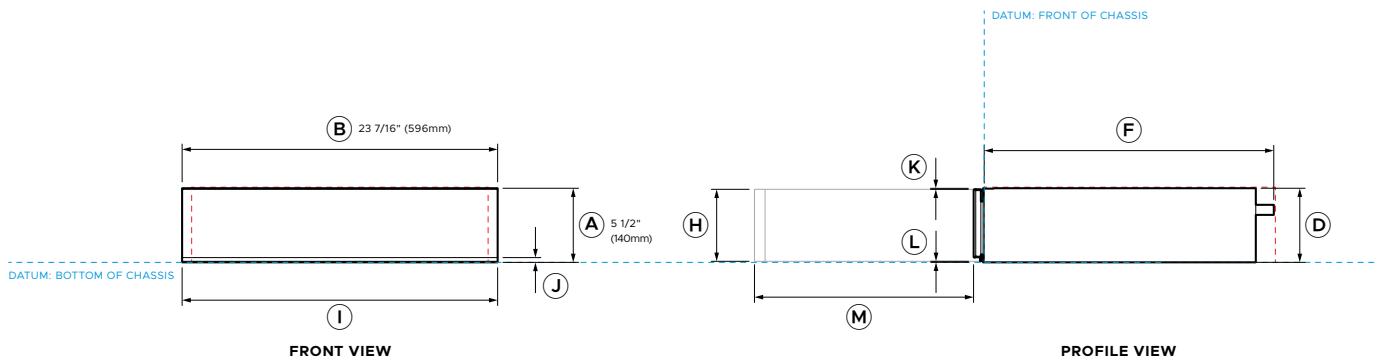
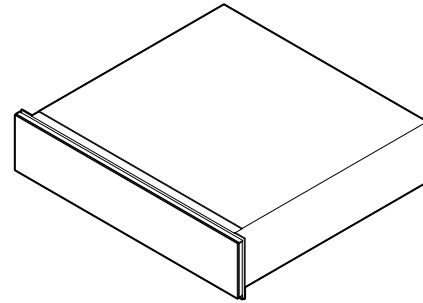
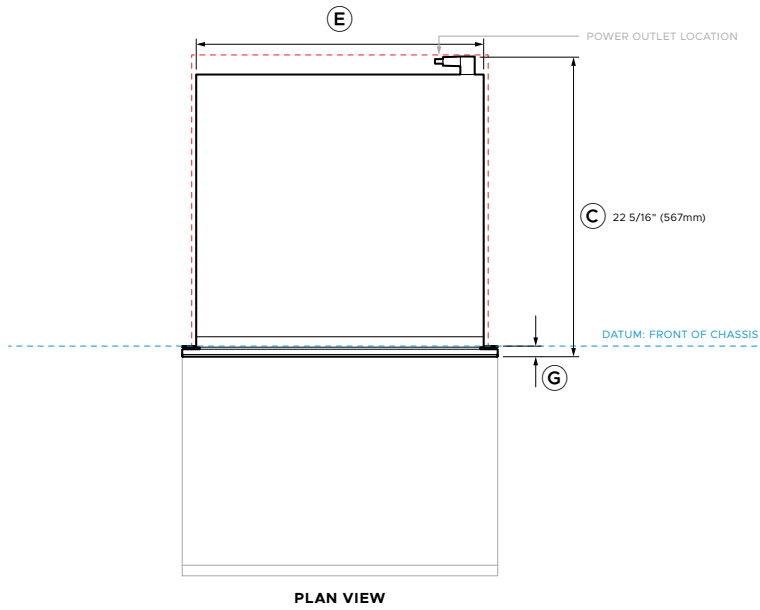
Ventilation Requirements		inch	mm
Rear ventilation opening height*		min 2	min 50
Rear ventilation opening width*		min 22 1/16	min 560

\*Minimum total ventilation area of 43.4in<sup>2</sup> (280cm<sup>2</sup>) is required. The ventilation opening must be located at the rear of the cavity and may be positioned at the base, sides, or top of the cavity.

----- INDICATES PRODUCT DATUM  
 - - - - - INDICATES CABINETRY CLEARANCES

IMPORTANT NOTE: Throughout this guide, dimensions may vary by ±2mm (1/16"). Please read the installation manual for detailed information on installing the product. For full installation instructions & specifications visit fisherpaykel.com





**Model no:**

**WB24SMB3** 24" Series 9 Minimal Warming Drawer - Black  
**WB24SMG3** 24" Series 9 Minimal Warming Drawer - Grey

Product Dimensions		inch	mm
<b>A</b>	Overall product height	5 1/2	140
<b>B</b>	Overall product width	23 7/16	596
<b>C</b>	Overall product depth (includes power plug)	22 5/16	567
<b>D</b>	Chassis height	5 1/2	140
<b>E</b>	Chassis width	21 3/8	543
<b>F</b>	Chassis depth	21 9/17	547
<b>G</b>	Front frame depth (includes flange and front panel)	13/16	20
<b>H</b>	Front panel height	5 3/8	136
<b>I</b>	Front panel width	23 7/16	596
<b>J</b>	Front panel lower visual edge height (from chassis base datum)	3/8	9
<b>K</b>	Front panel upper edge to top of chassis	1/16	2
<b>L</b>	Front panel lower true edge height (from chassis base datum)	1/16	2
<b>M</b>	Drawer extension	max 16 5/16	max 414

Minimum Clearances		inch	mm
Cavity height			
- standalone installation		min 5 9/16	min 142
- stack installation		5 1/2	140
Cavity width		min 22 1/16	min 560
Cavity depth (from chassis front datum)		min 21 5/8	min 550
Front frame clearance - top & sides		min 1/16	min 2

Note: 24" Fisher & Paykel ovens can be installed directly onto the drawer. An intermediate shelf is not required.

----- INDICATES PRODUCT DATUM  
 - - - - - INDICATES CABINETRY CLEARANCES

IMPORTANT NOTE: Throughout this guide, dimensions may vary by ±2mm (1/16"). Please read the installation manual for detailed information on installing the product. For full installation instructions & specifications visit [fisherpaykel.com](http://fisherpaykel.com)



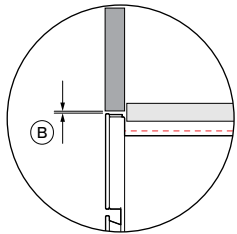
## PLANNING CONSIDERATIONS

**CABINETS CLEARANCES**

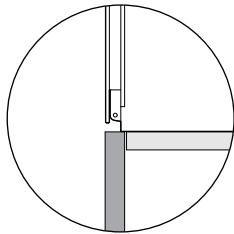
CLEARANCES		inch	mm
<b>A</b>	Front/custom panel clearance - sides	min 1/16	min 2
<b>B</b>	Front/custom panel clearance - top	min 1/16	min 2

**UNDERBENCH**

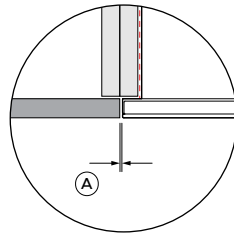
If installing a cooktop above the oven, ensure adequate clearance is provided for the cooktop as per the cooktop manufacturer's instructions.



**DETAIL 1**  
PROFILE VIEW

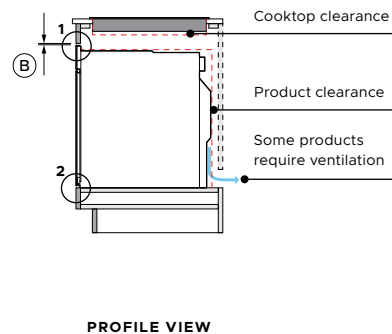
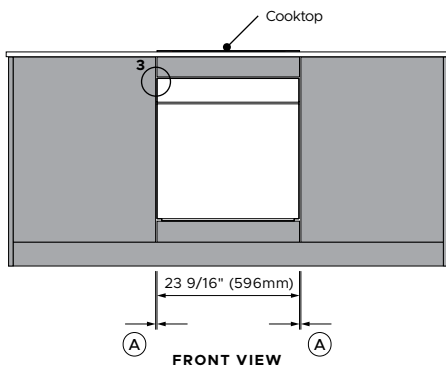


**DETAIL 2**  
PROFILE VIEW



**DETAIL 3**  
PLAN VIEW

Products require no bottom clearance between product to cabinetry front panel or appliance.



**INSTALLATION**

**SINGLE**

Head to the 'Data Sheets' section in this Planning Guide for details.

**STACKED OR GRID**

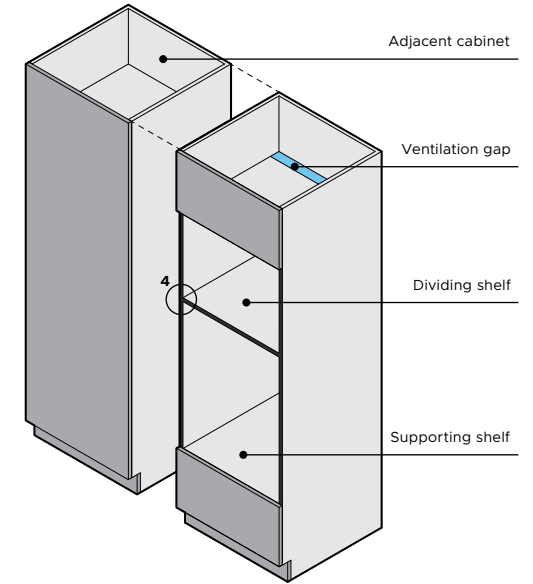
Head to the 'Stack Height' section in this Planning Guide for details.

**BLACK CLASHING**

Black edge clashing is recommended on all front facing panels and openings at product locations, and on side cabinet panels where a rebated exists.

**DIVIDING SHELF**

If the appliance front panel is thicker than the cabinetry front panel, adjust the dividing shelf depth to ensure the oven sits flush with the front of the cabinetry.

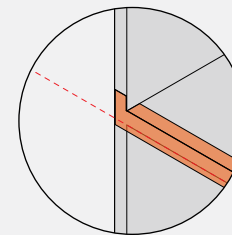


**OVEN CABINETS TRIM (OPTIONAL)**

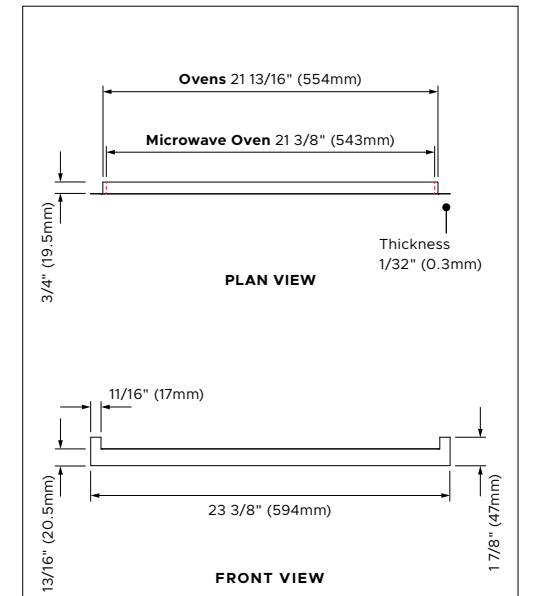
An optional black cabinetry trim is supplied with all ovens.

Prior to installation, check the trim height against dividing or supporting shelves. If required, score and cut the trim to the appropriate height to prevent interference.

Note: Microwave ovens has a different trim width. Ensure the correct trim is used for each appliance.

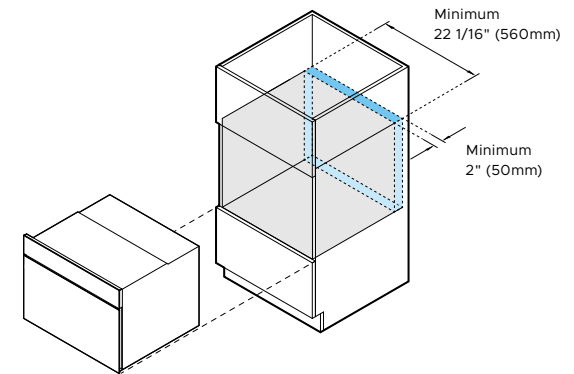
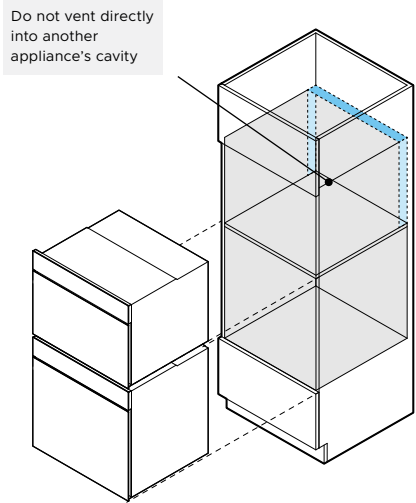


**DETAIL 4**  
ISOMETRIC VIEW



The models shown in this Planning Guide may not be available in all markets and are subject to change at any time. Product specifications may vary from those shown. This Planning Guide should not be used as installation guidance for any product. Further information is required to safely and correctly install the products featured here. Specific installation guidance will be available with the product on delivery and on our website fisherpaykel.com





Options for total minimum ventilation area

**VENTILATION**

Ventilation is required to ensure proper performance of certain products.

**Possible Venting Locations:**

- Space behind the cabinet
- Upper cavity (not a product cavity)
- Toe kick cavity
- Adjacent cabinetry (not a product cavity)

**Cabinet with back panel or installed against a wall:**

Select one of the venting locations listed above, providing the required minimum ventilation area.

**Cabinet without back panel:**

If the cabinet is manufactured without a back panel and is not positioned directly against a wall, the open back will provide sufficient ventilation.

Do not vent directly into another appliance's cavity.

**COMPACT CONVECTION-SPEED OVEN**

OM24NMUNB5, OM24NMUNG5

**VENTILATION PLACEMENT**

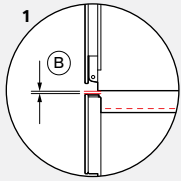
Total minimum ventilation area	43.4in (280cm <sup>2</sup> ) or 2" x 22 1/16" (50mm x 560mm)
Cavity venting options	base, sides, top or back

The models shown in this Planning Guide may not be available in all markets and are subject to change at any time. Product specifications may vary from those shown. This Planning Guide should not be used as installation guidance for any product. Further information is required to safely and correctly install the products featured here. Specific installation guidance will be available with the product on delivery and on our website [fisherpaykel.com](http://fisherpaykel.com)

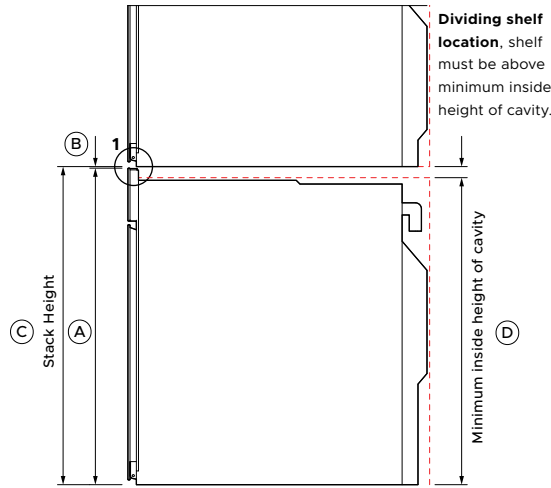
**STACK HEIGHT**

Stack height is overall product height with minimum clearance above appliance control panel or front panel.

$$\begin{array}{r}
 \text{A Overall product height} \\
 + \\
 \text{B Minimum top clearance above appliance front/custom panel to upper} \\
 \text{appliance} \\
 = \\
 \text{C Stack Height}
 \end{array}$$



**DETAIL 1**  
PROFILE VIEW



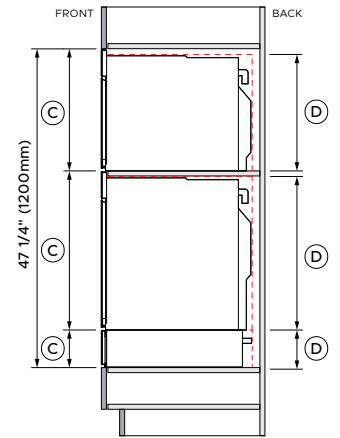
**PROFILE VIEW**

**Ventilation** air vent is required at rear of cabinetry for some products.

**Dividing shelves** are required to support stacked appliances and to achieve correct clearance.

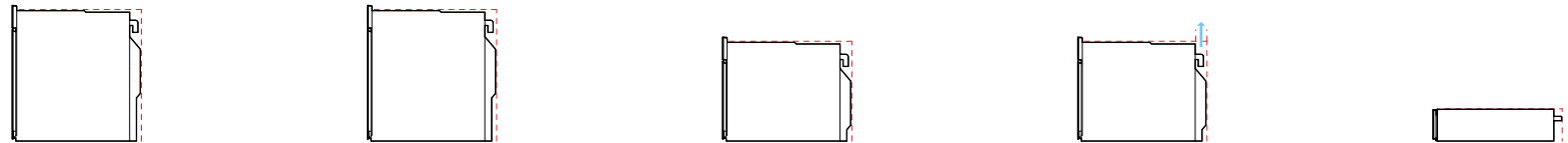
**Dividing shelves** must be constructed from material that will support the weight of the appliances. Ensure the product is not bearing any weight from cabinetry or products installed above.

**Drawers** can fully support a 24" Fisher & Paykel ovens. An intermediate shelf is not required.



**EXAMPLE**  
PROFILE VIEW

**MINIMUM INSIDE HEIGHT OF CAVITY**

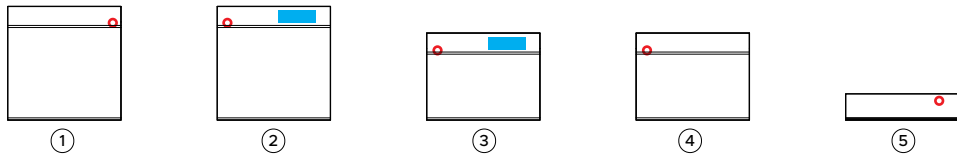


DIMENSIONS	SELF-CLEANING OVEN OB24SAMPUNB5, OB24SAMPUNG5		COMBI-STEAM OVEN OS24SAMHUNB5, OS24SAMHUNG5		COMPACT COMBI-STEAM OVEN OS24NAMHUNB5, OS24NAMHUNG5		COMPACT CONVECTION-SPEED OVEN OM24NMUNB5, OM24NMUNG5		WARMING DRAWER WB24SMB3, WB24SMG	
	inch	mm	inch	mm	inch	mm	inch	mm	inch	mm
<b>A</b> Overall product height	23 9/16	598	23 9/16	598	18	458	18	458	5 1/2	140
<b>B</b> Minimum top clearance above appliance front/custom panel	1/16	2	1/16	2	1/16	2	1/16	2	-	-
<b>C</b> Stack height	23 5/8	600	23 5/8	600	18 1/8	460	18 1/8	460	5 1/2	140*
<b>D</b> Minimum cavity height	22 13/16	580	22 13/16	580	17 5/16	440	17 5/16	440	5 1/2	140

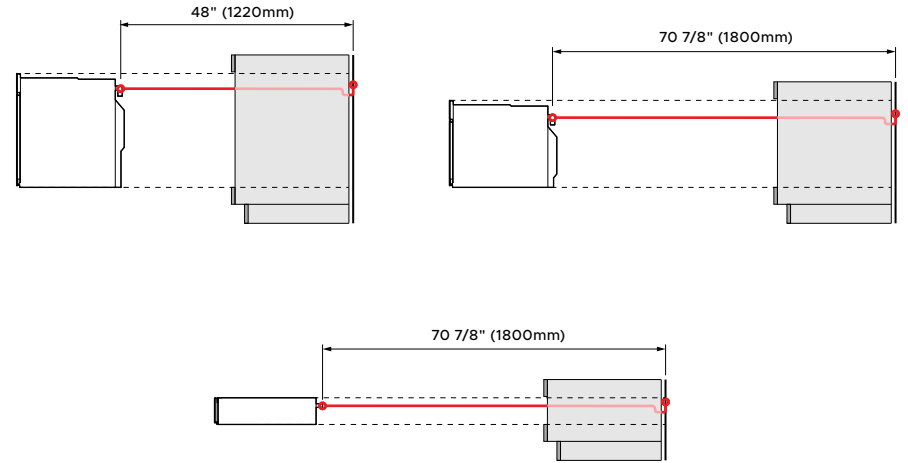
\*24" Fisher & Paykel ovens can be installed directly onto the drawer. An intermediate shelf is not required. Note: Standalone installation of drawers require minimum clearance above, head to 'Data Sheets' section of this Planning Guide for more details.

The models shown in this Planning Guide may not be available in all markets and are subject to change at any time. Product specifications may vary from those shown. This Planning Guide should not be used as installation guidance for any product. Further information is required to safely and correctly install the products featured here. Specific installation guidance will be available with the product on delivery and on our website [fisherpaykel.com](http://fisherpaykel.com)

## SERVICES



FRONT VIEW



PROFILE VIEW

**CONNECTION**

Connections may be located in an adjacent cabinet to either side of the appliance. Ensure power will remain accessible following installation to allow access for any future product maintenance.

POWER CONNECTION WATER TANK LOCATION

**HARD-WIRED**

For more information on electrical requirements, refer to the Installation Guide.

	1	2	3	4	5
<b>SERIES 11</b>	<b>SELF-CLEANING OVEN</b> OB24SAMPUNB5, OB24SAMPUNG5	<b>COMBI-STEAM OVEN</b> OS24SAMHUNB5 OS24SAMHUNG5	<b>COMPACT COMBI-STEAM OVEN</b> OS24NAMHUNB5 OS24NAMHUNG5	<b>COMPACT CONVECTION-SPEED OVEN</b> OM24NMUNB5 OM24NMUNG5	<b>WARMING DRAWERS</b> WB24SMB3 WB24SMG3
<b>SERIES 9</b>					
<b>POWER CONNECTION</b>					
Connection	Hard-wired 48" (1220mm)	Hard-wired 48" (1220mm)	Hard-wired 48" (1220mm)	Hard-wired 70 7/8" (1800mm)	Flex cord 70 7/8" (1800mm)
Location	upper right	upper left	upper left	upper left	upper right
<b>ELECTRICAL</b>					
Dedicated Circuit (A)	20	20	20	20	15
Rated Power (W)	4200 / 3200	4200 / 3200	4200 / 3200	3300 / 3900	930
Supply (Hz)	60	60	60	60	60
Voltage (V)	208 / 240	208 / 240	208 / 240	208 / 240	120

Note: Multiple product installation requires the design of power outlets according to local regulations.

The models shown in this Planning Guide may not be available in all markets and are subject to change at any time. Product specifications may vary from those shown. This Planning Guide should not be used as installation guidance for any product. Further information is required to safely and correctly install the products featured here. Specific installation guidance will be available with the product on delivery and on our website fisherpaykel.com



