

30" (76.2 CM) AND 36" (91.4 CM) RANGE HOOD

Installation Instructions and Use & Care Guide

For questions about features, operation/performance, parts, accessories or service, call: **1-800-253-1301**
or visit our website at **www.whirlpool.com**

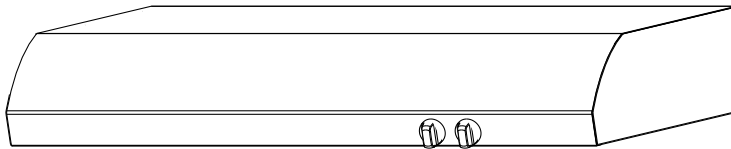
In Canada, call **1-800-807-6777** or visit our website at **www.whirlpool.ca**

HOTTE D'ASPIRATION DE 30" (76,2 CM) ET 36" (91,4 CM)

Instructions d'installation et Guide d'utilisation et d'entretien

Au Canada, pour assistance, installation ou service, composer
le **1-800-807-6777** ou visiter notre site Web à
www.whirlpool.ca

Table of Contents/Table des matières..... 2



Models/Modèles:
UXT4230AD/UXT4236AD

**IMPORTANT: READ AND SAVE THESE INSTRUCTIONS.
FOR RESIDENTIAL USE ONLY.**
**IMPORTANT : LIRE ET CONSERVER CES INSTRUCTIONS.
POUR UTILISATION RÉSIDENIELLE UNIQUEMENT.**

RANGE HOOD SAFETY

Your safety and the safety of others are very important.

We have provided many important safety messages in this manual and on your appliance. Always read and obey all safety messages.



This is the safety alert symbol.

This symbol alerts you to potential hazards that can kill or hurt you and others.

All safety messages will follow the safety alert symbol and either the word "DANGER" or "WARNING."

These words mean:

⚠ DANGER

You can be killed or seriously injured if you don't immediately follow instructions.

⚠ WARNING

You can be killed or seriously injured if you don't follow instructions.

All safety messages will tell you what the potential hazard is, tell you how to reduce the chance of injury, and tell you what can happen if the instructions are not followed.

State of California Proposition 65 Warnings:

WARNING: This product contains one or more chemicals known to the State of California to cause cancer.

WARNING: This product contains one or more chemicals known to the State of California to cause birth defects or other reproductive harm.

IMPORTANT SAFETY INSTRUCTIONS

WARNING: TO REDUCE THE RISK OF FIRE, ELECTRIC SHOCK, OR INJURY TO PERSONS, OBSERVE THE FOLLOWING:

- Use this unit only in the manner intended by the manufacturer. If you have questions, contact the manufacturer.
- Before servicing or cleaning the unit, switch power off at service panel and lock the service disconnecting means to prevent power from being switched on accidentally. When the service disconnecting means cannot be locked, securely fasten a prominent warning device, such as a tag, to the service panel.
- Installation work and electrical wiring must be done by qualified person(s) in accordance with all applicable codes and standards, including fire-rated construction.
- Do not operate any fan with a damaged cord or plug. Discard fan or return to an authorized service facility for examination and/or repair.
- Sufficient air is needed for proper combustion and exhausting of gases through the flue (chimney) of fuel burning equipment to prevent backdrafting. Follow the heating equipment manufacturer's guideline and safety standards such as those published by the National Fire Protection Association (NFPA), the American Society for Heating, Refrigeration and Air Conditioning Engineers (ASHRAE), and the local code authorities.
- When cutting or drilling into wall or ceiling; do not damage electrical wiring and other utilities.
- Ducted fans must always be vented outdoors.

CAUTION: For general ventilating use only. Do not use to exhaust hazardous or explosive materials and vapors.

CAUTION: To reduce risk of fire and to properly exhaust air, be sure to duct air outside - do not vent exhaust air into spaces within walls or ceilings, attics or into crawl spaces, or garages.

WARNING: TO REDUCE THE RISK OF FIRE, USE ONLY METAL DUCTWORK.

WARNING: TO REDUCE THE RISK OF A RANGE TOP GREASE FIRE:

- Never leave surface units unattended at high settings. Boilovers cause smoking and greasy spillovers that may ignite. Heat oils slowly on low or medium settings.
- Always turn hood ON when cooking at high heat or when flambeing food (i.e. Crepes Suzette, Cherries Jubilee, Peppercorn Beef Flambé).
- Clean ventilating fans frequently. Grease should not be allowed to accumulate on fan or filter.
- Use proper pan size. Always use cookware appropriate for the size of the surface element.

WARNING: TO REDUCE THE RISK OF INJURY TO PERSONS IN THE EVENT OF A RANGE TOP GREASE FIRE, OBSERVE THE FOLLOWING:^a

- **SMOTHER FLAMES** with a close fitting lid, cookie sheet, or metal tray, then turn off the burner. **BE CAREFUL TO PREVENT BURNS.** If the flames do not go out immediately, **EVACUATE AND CALL THE FIRE DEPARTMENT.**
- **NEVER PICK UP A FLAMING PAN** - you may be burned.
- **DO NOT USE WATER**, including wet dishcloths or towels - a violent steam explosion will result.
- Use an extinguisher **ONLY** if:
 - You know you have a class ABC extinguisher, and you already know how to operate it.
 - The fire is small and contained in the area where it started.
 - The fire department is being called.
 - You can fight the fire with your back to an exit.

^aBased on "Kitchen Fire Safety Tips" published by NFPA.

- **WARNING:** To reduce the risk of fire or electrical shock, do not use this fan with any solid-state speed control device.

READ AND SAVE THESE INSTRUCTIONS

TABLE OF CONTENTS

RANGE HOOD SAFETY	1
INSTALLATION REQUIREMENTS	3
INSTALLATION INSTRUCTIONS	6
RANGE HOOD USE	10
RANGE HOOD CARE	10
WIRING DIAGRAM	11
ASSISTANCE OR SERVICE	12
WARRANTY	13

TABLE DES MATIÈRES


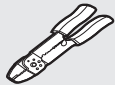
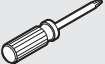
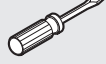

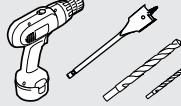


SÉCURITÉ DE LA HOTTE DE CUISINIÈRE.....	14
EXIGENCES D'INSTALLATION	16
INSTRUCTIONS D'INSTALLATION.....	20
UTILISATION DE LA HOTTE	24
ENTRETIEN DE LA HOTTE.....	24
SCHÉMA DE CÂBLAGE	25
ASSISTANCE OU SERVICE	26
GARANTIE.....	27

INSTALLATION REQUIREMENTS

Tools and Parts

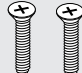
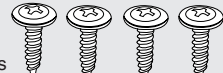
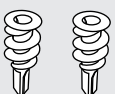


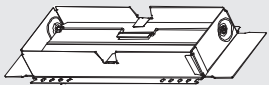
Gather the required tools and parts before starting installation. Read and follow the instructions provided with any tools listed here.

Tools needed


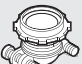

Metal snips 	Wire stripper 
#2 Phillips screwdriver 	Flat-blade screwdriver 
Pencil 	Drill with 1/8" (3 mm), 1/2" (13 mm) and 1 1/4" (3 cm) bits 
Caulking gun and weatherproof caulking compound 	
Jigsaw or keyhole saw 	

Parts supplied

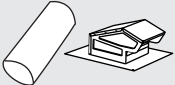


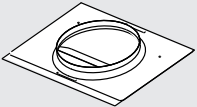
Remove parts from package. Check that all parts are included.

#8-18 x 1" (4.2 x 25 mm) flat-head screws 	#8-18 x 5/8" (4.2 x 16 mm) truss-head screws 
Drywall anchors 	Mounting brackets 
Short Phillips head screws 	
3/4" x 10" (8.3 x 25.4 cm) rectangular damper 	

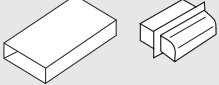

Parts needed

UL Listed/CSA Approved wire connectors 	UL Listed/CSA Approved 1/2" (13 mm) strain relief 	120V, 75W maximum, type E26 incandescent lamp 
--	---	---


For 7" (17.8 cm) round vented installations

7" (17.8 cm) round metal vent system with wall or roof cap 	7" (17.8 cm) round damper Part Number W10355451* 
Vent clamps as required 	7" (17.8 cm) round vent mounting plate Part Number W10388168* 

For 3 1/4" x 10" (8.3 x 25.4 cm) rectangular vented installations

3 1/4" x 10" (8.3 x 25.4 cm) rectangular metal vent system with wall or roof cap 	Duct tape 
--	---

Optional accessories

Charcoal filter kit Part Number W10355450* 	Power cord kit Part Number W10355452* 	Stainless steel cleaner and polish Part Number 31462A* 
---	---	--

*For information on ordering, see the "Assistance or Service" section.

Location Requirements

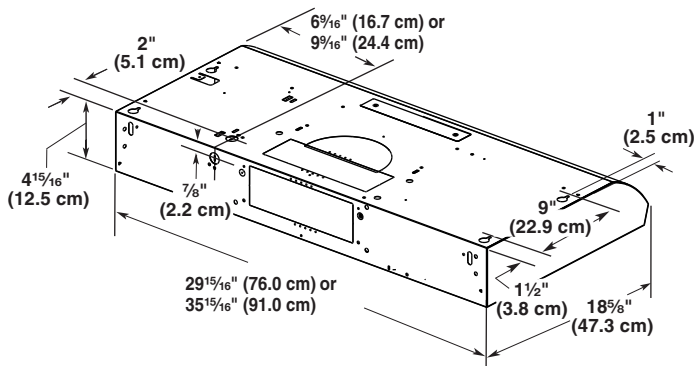
IMPORTANT: Observe all governing codes and ordinances.

- It is the installer's responsibility to comply with installation clearances specified on the model/serial rating plate. The model/serial rating plate is located inside the range hood on the left wall.
- Range hood location should be away from strong draft areas, such as windows, doors and strong heating vents.
- Cabinet opening dimensions that are shown must be used. Given dimensions provide minimum clearance. Consult the cooktop/range manufacturer installation instructions before making any cutouts.
- This range hood is recommended for use with cooktops with a maximum total rating of 40,000 Btus or less.
- Grounded electrical outlet is required. See "Electrical Requirements" section.
- All openings in ceiling and wall where range hood will be installed must be sealed.
- These range hoods are factory set for vented installations. Models that are capable of being installed as non-vented (recirculating) require charcoal filters. See the "Assistance or Service" section for information on ordering charcoal filters.

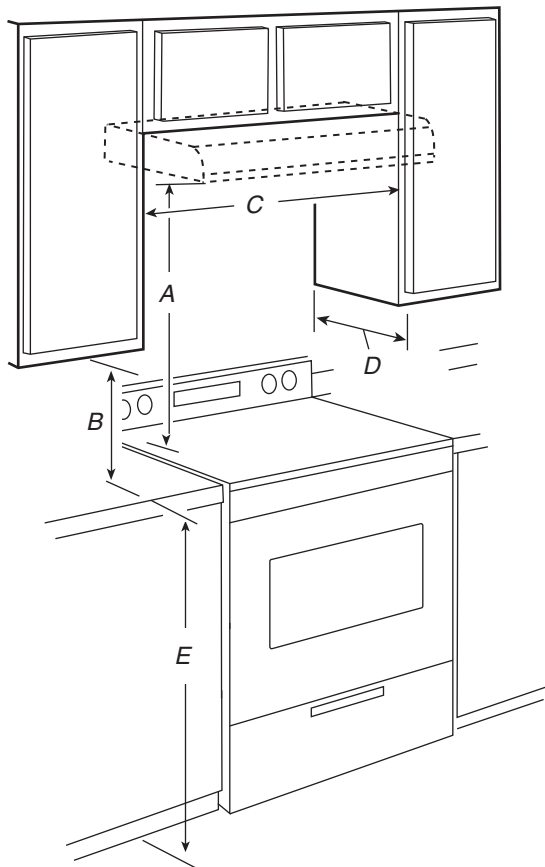
For Mobile Home Installations

The installation of this range hood must conform to the Manufactured Home Construction Safety Standards, Title 24 CFR, Part 328 (formerly the Federal Standard for Mobile Home Construction and Safety, title 24, HUD, Part 280) or when such standard is not applicable, the standard for Manufactured Home Installation 1982 (Manufactured Home Sites, Communities and Setups) ANSI A225.1/NFPA 501A, or latest edition, or with local codes.

Product Dimensions



Installation Clearances



- A. 24" (61.0 cm) minimum distance from electric cooking surface.
 24" (61.0 cm) minimum distance from gas cooking surface.
 30" (76.2 cm) suggested maximum above the cooking surface.
- B. 18" (45.7 cm) minimum clearance - upper cabinet to countertop.
- C. 30" (76.2 cm) minimum cabinet opening width for 30" (76.2 cm) models and 36" (91.4 cm) minimum cabinet width for 36" (91.4 cm) models.
- D. 12" (30.5 cm) cabinet depth.
- E. 36" (91.4 cm) base cabinet height.

Venting System

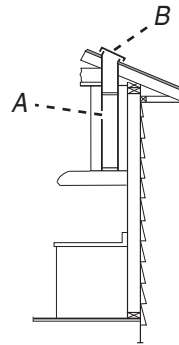
Venting Methods

NOTES:

- Flexible vent is not recommended. Flexible vent creates both back pressure and air turbulence that greatly reduce performance.
- The vent system is optional for this model.

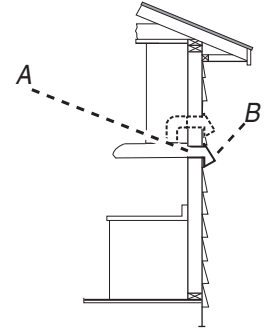
Vent system can terminate either through the roof or wall. Use 3¹/₄" x 10" (8.3 x 25.4 cm) rectangular with a maximum vent length of 35 ft (10.7 m) or 7" (17.8 cm) or larger round vent with a maximum length of 50 ft (15.2 m) for vent system.

Top Venting



- A. 7" (17.8 cm) round vent through roof (purchased separately).
 3¹/₄" x 10" (8.3 x 25.4 cm) rectangular vent through the roof (purchased separately).
- B. Roof cap with damper (purchased separately)

Wall Venting



- A. 7" (17.8 cm) round vent out the top and through the wall (purchased separately).
 3¹/₄" x 10" (8.3 x 25.4 cm) rectangular vent through the wall or out the top (purchased separately).
- B. Wall cap with damper (purchased separately)

Cold Weather Installations

An additional back draft damper should be installed to minimize backward cold air flow and a thermal break should be installed to minimize conduction of outside temperatures as part of the vent system. The damper should be on the cold air side of the thermal break.

The break should be as close as possible to where the vent system enters the heated portion of the house.

Makeup Air

Local building codes may require the use of makeup air systems when using ventilation systems greater than specified CFM of air movement. The specified CFM varies from locale to locale. Consult your HVAC professional for specific requirements in your area.

Venting Requirements

- Vent system must terminate to the outdoors, except for non-vented (recirculating) installations.
- Do not terminate the vent system in an attic or other enclosed area.
- Do not use a 4" (10.2 cm) laundry-type wall cap.
- Use 7" (17.8 cm) round metal vent or 3¹/₄" x 10" (8.3 x 25.4 cm) rectangular metal vent, depending on your installation requirement. Rigid metal vent is recommended. Plastic or metal foil vent is not recommended.
- The length of vent system and number of elbows should be kept to a minimum to provide efficient performance.


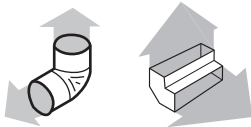
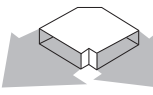
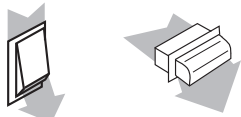
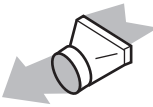
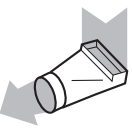
For the most efficient and quiet operation:

- Use no more than three 90° elbows.
- Make sure there is a minimum of 24" (61 cm) of straight vent between the elbows if more than 1 elbow is used.
- Do not install 2 elbows together.
- Use clamps or duct tape to seal all joints in the vent system.
- The vent system must have a damper. If roof or wall cap has a damper, do not use damper supplied with the range hood.
- Use caulking to seal exterior wall or roof opening around the cap.

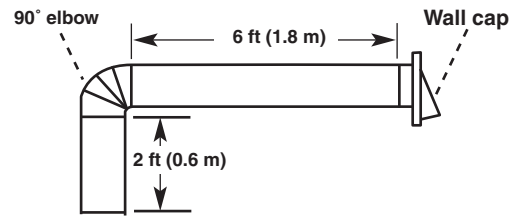
Calculating Vent System Length

To calculate the length of the system you need, add the equivalent feet (meters) for each vent piece used in the system.

Vent System

Vent Piece		
45° elbow	2.5 ft (0.8 m)	
90° elbow	5.0 ft (1.5 m)	
3 1/4" x 10" (8.3 cm x 25.4 cm) flat elbow	12.0 ft (3.7 m)	
7" (17.8 cm) wall cap	0.0 ft (0.0 m)	
3 1/4" x 10" (8.3 cm x 25.4 cm) to 7" (17.8 cm)	4.5 ft (1.4 m)	
3 1/4" x 10" (8.3 cm x 25.4 cm) to 7" (17.8 cm) 90° elbow	5.0 ft (1.5 m)	

Example vent system



1 - 90° elbow	= 5.0 ft (1.5 m)
1 - wall cap	= 0.0 ft (0.0 m)
8 ft (2.4 m) straight	= 8.0 ft (2.4 m)
System length	= 13.0 ft (3.9 m)

Maximum Recommended Length

7" (17.8 cm) Round Vent	= 50 ft (15.2 m)
3 1/4" x 10" (8.3 x 25.4 cm) Rectangular Vent	= 35 ft (10.7 m)

Electrical Requirements

Observe all governing codes and ordinances.

Ensure that the electrical installation is adequate and in conformance with National Electrical Code, ANSI/NFPA 70 (latest edition), or CSA Standards C22.1-94, Canadian Electrical Code, Part 1 and C22.2 No. 0-M91 (latest edition) and all local codes and ordinances.

If codes permit and a separate ground wire is used, it is recommended that a qualified electrician determine that the ground path is adequate.

A copy of the above code standards can be obtained from:

National Fire Protection Association
 1 Batterymarch Park
 Quincy, MA 02169-7471
 CSA International
 8501 East Pleasant Valley Road
 Cleveland, OH 44131-5575

- A 120 volt, 60 Hz., AC only, 15-amp, fused electrical circuit is required.
- If the house has aluminum wiring, follow the procedure below:
 1. Connect a section of solid copper wire to the pigtail leads.
 2. Connect the aluminum wiring to the added section of copper wire using special connectors and/or tools designed and UL listed for joining copper to aluminum.

Follow the electrical connector manufacturer's recommended procedure. Aluminum/copper connection must conform with local codes and industry accepted wiring practices.
- Wire sizes and connections must conform with the rating of the appliance as specified on the model/serial rating plate. The model/serial plate is located behind the filter on the rear wall of the range hood.
- Wire sizes must conform to the requirements of the National Electrical Code, ANSI/NFPA 70 (latest edition), or CSA Standards C22. 1-94, Canadian Electrical Code, Part 1 and C22.2 No. 0-M91 (latest edition) and all local codes and ordinances.



INSTALLATION INSTRUCTIONS

NOTES:

- Depending on your model, determine which venting method to use: roof, wall or non-vented (recirculating).
- It is recommended that the vent system be installed before the range hood is installed. Go to “Venting System” in the “Installation Requirements” section if you need assistance.
- Before making cutouts, make sure there is proper clearance within the ceiling or wall for the vent system.

1. Disconnect power

⚠ WARNING



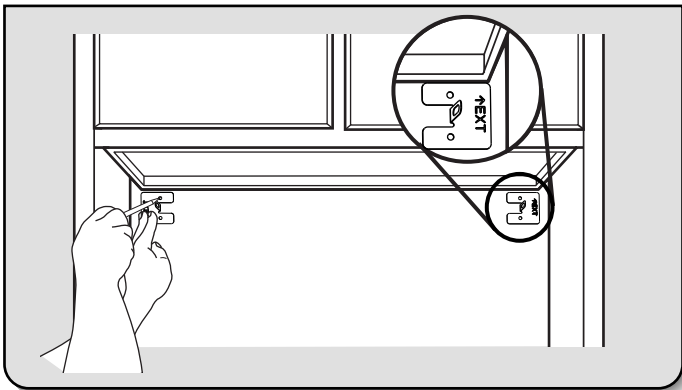
Electrical Shock Hazard

Disconnect power before servicing.

Replace all parts and panels before operating.

Failure to do so can result in death or electrical shock.

2. Mark Hole Locations

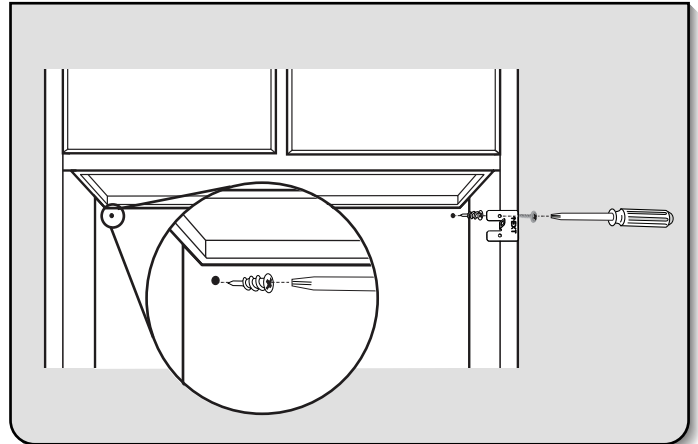


Align the exterior edge of the mounting brackets with the exterior edges of the upper cabinet.

IMPORTANT: The brackets should touch the upper cabinet.

With a pencil, mark the upper holes on the brackets.

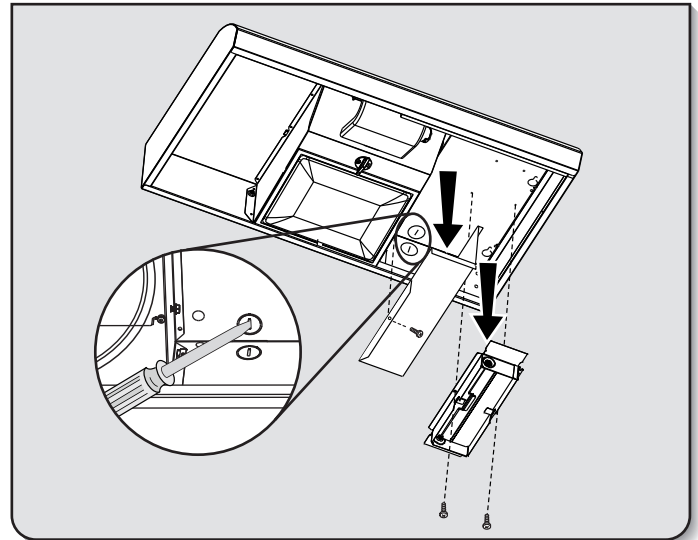
3. Install Brackets



- Using a #2 Phillips screwdriver, install the drywall anchors.
- Using #8-18 x 1" (4.2 x 25 mm) flat-head #2 Phillips screws, install the mounting brackets using the upper holes.

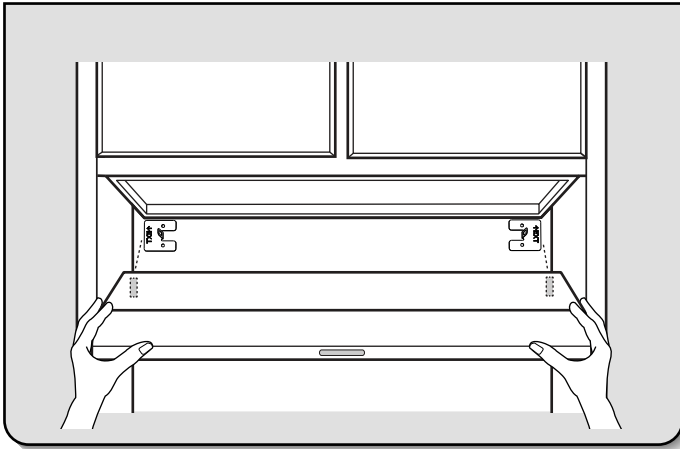
NOTE: For installations to a surface other than drywall, it is recommended that a qualified contractor determine the anchoring method.

4. Prepare Range Hood

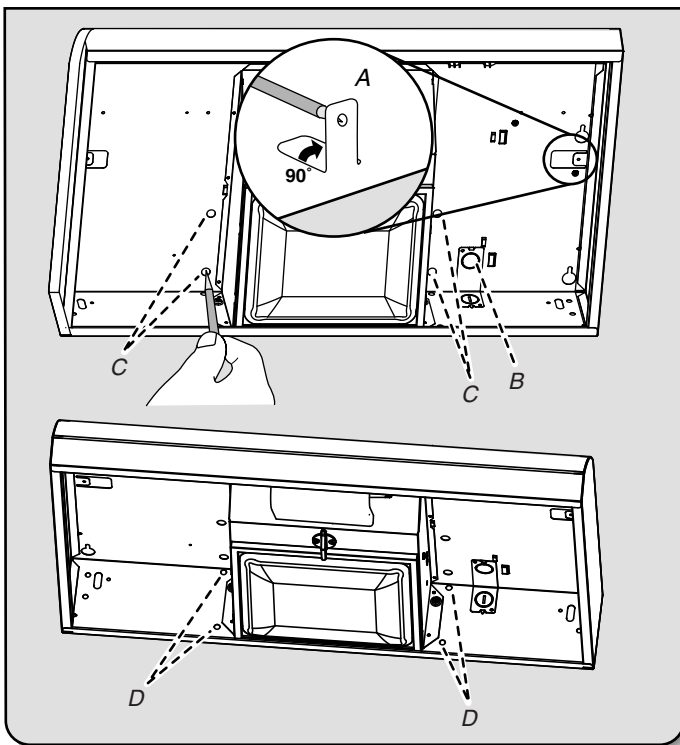


- Set the range hood on its back on a covered surface.
- Using a #2 Phillips screwdriver, remove the rectangular damper attached with 3.5 x 9.5 mm screws.
- Using a #2 Phillips screwdriver, remove the electrical box cover.
- Using a flat-blade screwdriver, remove the appropriate power supply knockout.

5. Mark Hole Locations



Lift the range hood into place and insert the mounting bracket tabs through the slots in the back of the range hood.



Hold the range hood firmly in place with one hand and bend each mounting tab (A) upward approximately 90°.

Mark the hole at the power supply knockout (B).

For a non-vented (recirculating) installation: Go to Step 7.

For a top vented installation: Mark the 4 vent hole locations (C) on the top of the range hood.

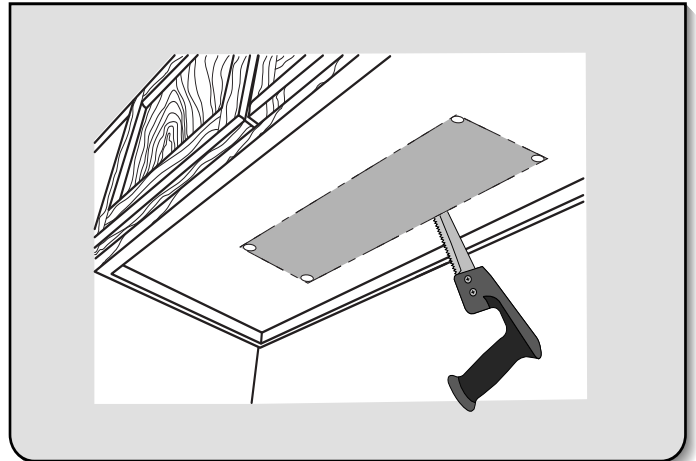
For a rear vented installation: Mark the 4 vent hole locations (D) on the rear of the range hood.

OPTIONAL: Mark the hole in each mounting tab.

Remove the range hood and set it aside.

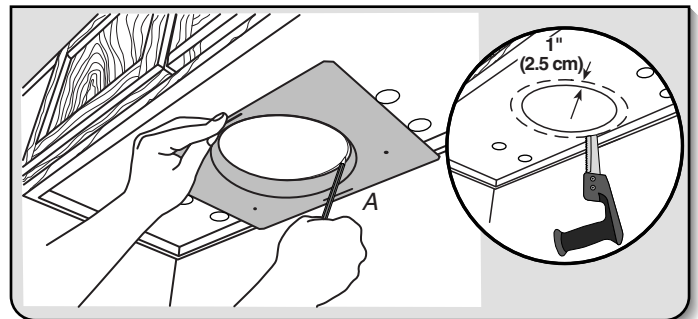
6. Mark and Cut Vent Opening

3/4" x 10" (8.3 x 25.4 cm) Rectangular Vent System



- Using a 1/2" (13 mm) drill bit, drill a hole in each of the dots marked previously on either the wall or upper cabinet. Using the outside edges of the holes, mark the vent opening.
- Using a jigsaw or keyhole saw, cut the vent opening.

7" (17.8 cm) Round Vent System

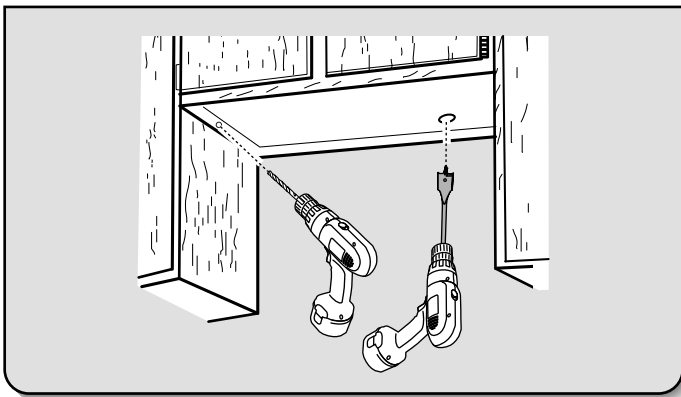


- Using the 7" (17.8 cm) round vent mounting plate, draw the vent opening outline on the underside of the cabinet:
 - Place the vent mounting plate on the bottom of the cabinet. Position the edge of the plate with the widest distance (A) between the hole and edge of the mounting plate against the wall. Position the side edges of the mounting plate between the dots marked previously.

IMPORTANT: The widest edge (A) of the vent mounting plate must be positioned against the wall.

 - Trace the 7" (17.8 cm) vent opening (solid line) on the cabinet bottom.
- Using a jigsaw or keyhole saw, cut the vent opening 1" (2.5 cm) larger than the 7" (17.8 cm) hole traced (dashed line).

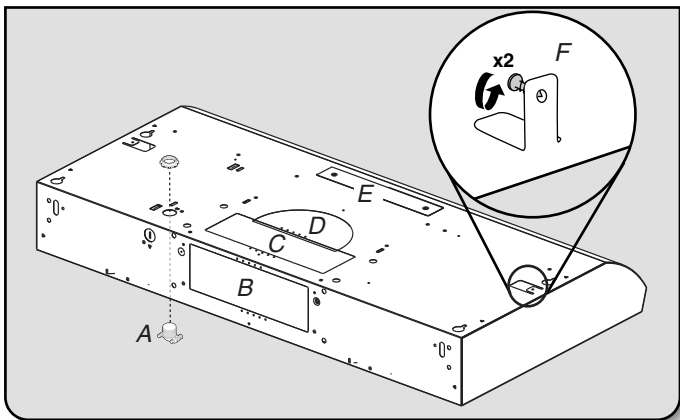
7. Drill Electrical Opening



Using a 1¼" (3 cm) drill bit, drill the hole in the dot marked previously at the electrical strain relief.

OPTIONAL: Using a ⅛" (3 mm) drill bit, drill pilot holes for the dots marked previously at each mounting tab at an approximate 45° angle in an upward direction.

8. Prepare Range Hood Vents and Mounting Tabs



■ Install Strain Relief

Install a UL Listed/CSA Approved ½" (13 mm) strain relief (A).

■ Mounting Tabs

Start a #8-18 x ⅝" (4.2 x 16 mm) truss-head screw into the mounting tab (F) on each side of the range hood as shown in the inset. Insert the screws approximately 2 turns into the mounting tab holes.

■ Non-vent (Recirculating) Installations

Using a #2 Phillips screwdriver remove the 2 screws and remove the top, front rectangular vent cover (E). Go to Step 12.

■ 3¼" x 10" (8.3 x 25.4 cm) Rectangular Vent Installations

For top vent installations, remove the top, rectangular vent knockout (C).

OR

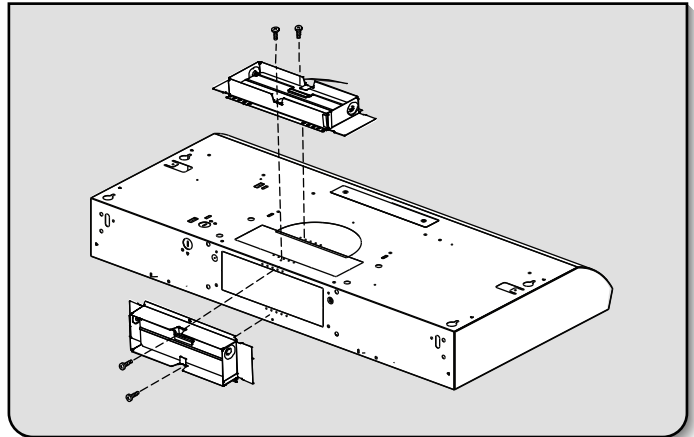
For wall vent installations, remove the rear rectangular vent knockout (B).

■ 7" (17.8 cm) Round Vent Installations

Remove both top knockouts (C and D).

9. Attach Vent Damper or Transition

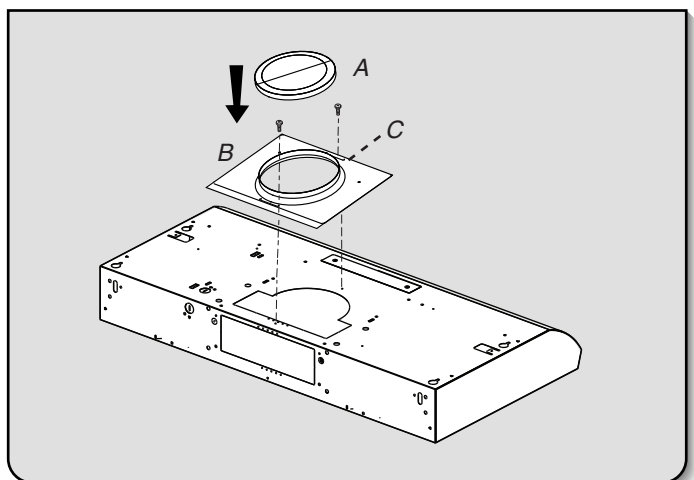
3¼" x 10" (8.3 x 25.4 cm) Rectangular Vent Damper



- Using (2) short Phillips head screws, install the 3¼" x 10" (8.3 x 25.4 cm) rectangular damper over the top or rear vent knockout removed in Step 8.

NOTE: If the wall cap used has a damper and it interferes with the rectangular damper, remove the rectangular damper flap.

7" (17.8 cm) Round Vent Mounting Plate

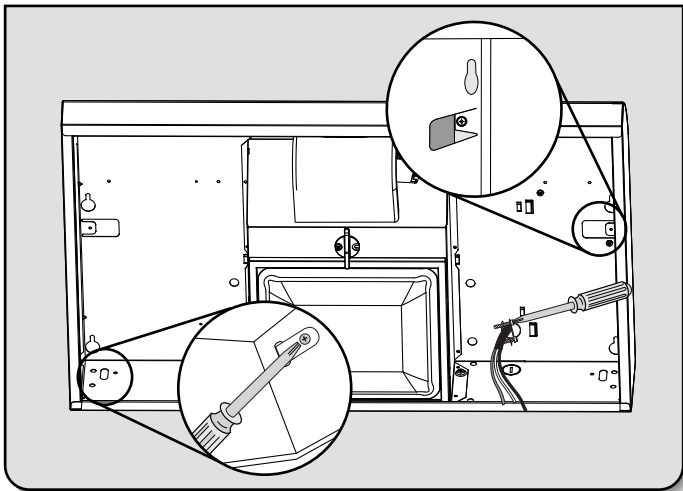


- Using (2) short Phillips head screws, install the 7" (17.8 cm) round vent mounting plate over the vent knockouts removed in Step 8. Position the wide flange (C) to the front.

NOTE: An optional 7" (17.8 cm) round damper (A), Part Number W10355451, and a 7" (17.8 cm) round vent mounting plate (B), Part Number W10388168, are available as accessories. For information on ordering, see the "Assistance or Service" section.

- If installing the optional round damper, position it over the round vent mounting plate.

10. Mount Range Hood

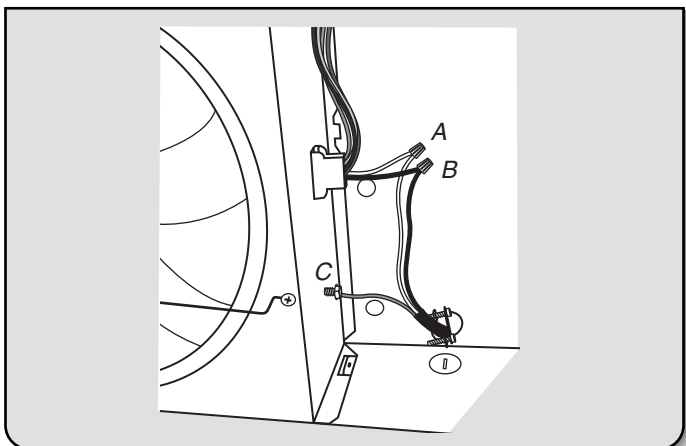


- Lift the range hood into place, positioning the rear slots over the mounting brackets.
- Using a Phillips screwdriver, push on the screws that are started into the top mounting tabs and bend the tabs against the cabinet side walls. Attach the screws to the cabinet side walls.
- For direct wire installations, run the home power supply cable according to the National Electric Code or CSA standards and local codes and ordinances. There must be enough wiring from the fused disconnect (or circuit breaker) box to make the connection in the range hood electrical terminal box.
- Tighten the strain relief screws.
NOTE: Do not reconnect power until the installation is complete.
OPTIONAL: If you prefer, bend the rear tabs against the rear of the range hood and attach to the wall using #8-18 x 5/8" (4.2 x 16 mm) truss-head screws.

11. Connect Vent System

- Connect the ventwork to the range hood. Seal joints with vent clamps or duct tape to make secure and airtight.
- Check that the back draft dampers work properly.

12. Make Electrical Connection



Option 1 - Direct Wire Installations

- Use a UL Listed/CSA Approved wire connector and connect the 2 white wires (A) together.
- Use a UL Listed/CSA Approved wire connector and connect the 2 black wires (B) together.

⚠ WARNING



Fire Hazard

Electrically ground the blower.

Use copper wire.

Connect ground wire to green ground screw in terminal box.

Failure to do so can result in death, fire, or electrical shock.

- Connect the green (or bare) ground wire (C) from the power supply to the green ground screw in the electrical box and tighten the screw securely.
Reinstall the electrical box cover.
Reconnect power.

Option 2 - Power Cord Kit Installations

For optional power cord kit installations, follow the instructions supplied with the power cord kit. See the "Assistance or Service" section for information on ordering.

NOTE: Use only with range hood cord connection kits that have been investigated and found acceptable for use with this model range hood.

13. Complete the Installation

- Install a 120V, 75W maximum, incandescent light bulb with E26 base. See "Replacing the Incandescent Light Bulb" in the "Range Hood Care" section.
- If removed previously, replace the filter. See "Metal or Charcoal Grease Filter" in the "Range Hood Care" section.

For vented installations: Install a metal filter.

For non-vented (recirculating) installations: Install a charcoal filter.

- Check the operation of the range hood fan and light. See the "Range Hood Use" section.

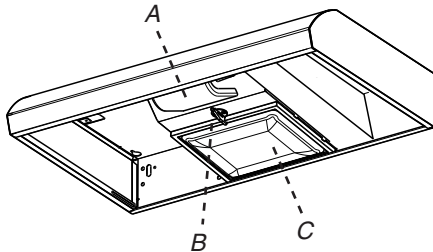
If the range hood does not operate, check to see whether a circuit breaker has tripped or a household fuse has blown. Disconnect the power and check the wiring connections.

NOTE: To get the most efficient use from your new range hood, read the "Range Hood Use" section.

RANGE HOOD USE

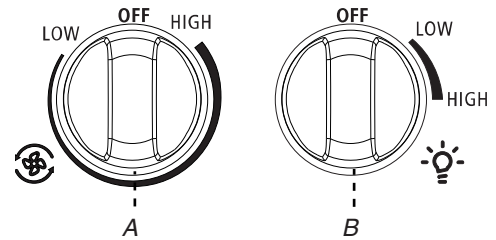
The range hood is designed to remove smoke, cooking vapors and odors from the cooktop area. For best results, start the hood before cooking and allow it to operate several minutes after the cooking is complete to clear all smoke and odors from the kitchen.

The hood controls are located on the front panel of the range hood.



A. Incandescent light housing and cover
B. Grease filter retainer
C. Grease filter

Range Hood Controls



A. Fan speed switch
B. On/Off light switch

Operating the light

Turn the light switch to the right 1 position for Low (night light).
Turn the light switch to the right 2 positions for High.

Operating the fan

The fan is variable speed. Rotate the fan switch to the right to turn the fan to the On position. Continue to rotate the switch to the desired fan speed.

To turn the fan off, rotate the fan speed switch to the left to the Off position.

RANGE HOOD CARE

Cleaning


IMPORTANT: Clean the hood and grease filters frequently according to the following instructions. Replace the grease filter before operating hood.

Exterior Surfaces:

IMPORTANT: Do not use soap-filled scouring pads, abrasive cleaners, cooktop polishing creme, steel wool, gritty washcloths or paper towels.

To avoid damage to the stainless steel, do not use cleaners that contain chlorine.

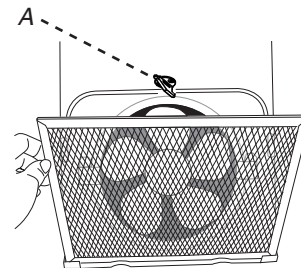
Cleaning Method:

- Liquid detergent or all-purpose cleaner:
Rinse with clean water and dry with a soft, lint-free cloth.
- Glass cleaner to remove fingerprints.
- For stainless steel models, use Stainless Steel Cleaner and Polish, Part Number 31462A (not included): See the "Assistance or Service" section to order. 
- For stainless steel models, rub in the direction of the grain to avoid scratching or damaging the surface.

Metal or Charcoal Grease Filter

To Clean the Filter:

1. Remove the screw from the grease filter retainer.
2. Turn the grease filter retainer to release the filter.



A. Filter retainer

3. **For vented installations:** Wash the metal filter as needed in a dishwasher or hot detergent solution.

For non-vented (recirculating) installations: Replace the metal filter with a charcoal filter. The charcoal filter is not washable. It should last up to 6 months with normal use. For information on ordering, see the "Assistance or Service" section. Dispose of old charcoal filter.

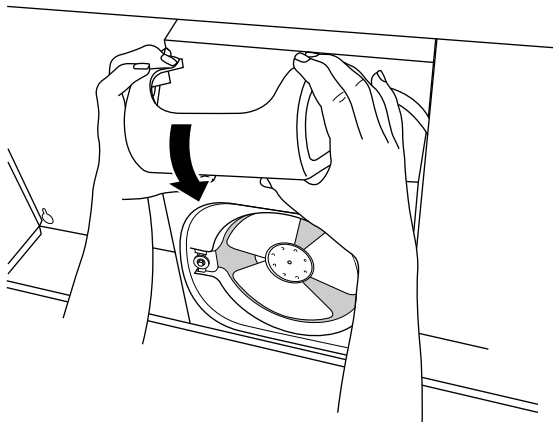
To Replace the Filter:

1. To reinstall the filter, place the back edge of the filter into the channel at the rear of the hood. Push the filter into place and turn the filter retainer to secure the filter to the range hood.
2. Replace the screw in the grease filter retainer.

Replacing the Incandescent Light Bulb

Turn off the range hood and allow the light bulb to cool.

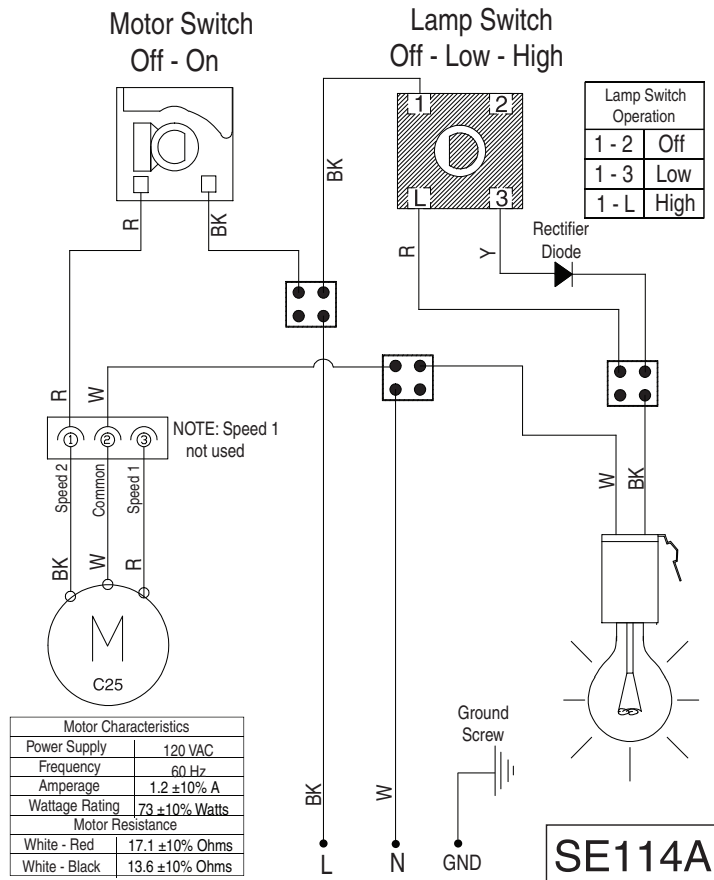
1. Disconnect power.
2. Squeeze the plastic lens cover and remove it from the hood.



3. Screw a 120V, 75W maximum, incandescent light bulb with E26 base into the socket.
4. Replace the lens cover by squeezing the cover and inserting the tabs into the slots.
5. Reconnect power.

If the new light does not operate, make sure the light bulb is inserted correctly before calling service.

WIRING DIAGRAM



ASSISTANCE OR SERVICE

If you need service

Please refer to the warranty page in this manual.

If you need replacement parts

If you need to order replacement parts, we recommend that you use only factory specified parts. Factory specified parts will fit right and work right because they are made with the same precision used to build every new appliance.

To locate factory specified replacement parts in your area, call the following customer assistance telephone number or your nearest designated service center.

In the U.S.A.

Call the Whirlpool Customer eXperience Center toll free: **1-800-253-1301** or visit our website at **www.whirlpool.com**.

Our consultants provide assistance with:

- Scheduling of service. Whirlpool designated service technicians are trained to fulfill the product warranty and provide after-warranty service, anywhere in the United States.
- Features and specifications on our full line of appliances.
- Referrals to local dealers.
- Installation information.
- Use and maintenance procedures.
- Accessory and repair parts sales.
- Specialized customer assistance (Spanish speaking, hearing impaired, limited vision, etc.).

For further assistance

If you need further assistance, you can write to Whirlpool Corporation with any questions or concerns at:

Whirlpool Brand Home Appliances
Customer eXperience Center
553 Benson Road
Benton Harbor, MI 49022-2692

Please include a daytime phone number in your correspondence.

In Canada

Call the Whirlpool Canada LP Customer eXperience Centre toll free: **1-800-807-6777** or visit our webpage **www.whirlpool.ca**.

Our consultants provide assistance with:

- Scheduling of service. Whirlpool designated service technicians are trained to fulfill the product warranty and provide after-warranty service, anywhere in Canada.
- Features and specifications on our full line of appliances.
- Referrals to local Whirlpool dealers.
- Use and maintenance procedures.
- Accessory and repair parts sales.
- Referrals to local dealers, repair parts distributors, and service companies. Whirlpool Canada LP designated service technicians are trained to fulfill the product warranty and provide after-warranty service, anywhere in Canada.

For further assistance

If you need further assistance, you can write to Whirlpool Canada LP with any questions or concerns at:

Whirlpool Brand Home Appliances
Customer eXperience Centre
Whirlpool Canada LP
200 - 6750 Century Ave.
Mississauga, Ontario L5N 0B7

Please include a daytime phone number in your correspondence.

WHIRLPOOL® MAJOR APPLIANCE LIMITED WARRANTY

ATTACH YOUR RECEIPT HERE. PROOF OF PURCHASE IS REQUIRED TO OBTAIN WARRANTY SERVICE.

Please have the following information available when you call the Customer eXperience Center:

- Name, address and telephone number
- Model number and serial number
- A clear, detailed description of the problem
- Proof of purchase including dealer or retailer name and address

IF YOU NEED SERVICE:

1. Before contacting us to arrange service, please determine whether your product requires repair. Some questions can be addressed without service. Please take a few minutes to review the Troubleshooting or Problem Solver section of the Use and Care Guide, scan the QR code on the right to access additional resources, or visit www.whirlpool.com/product_help.
2. All warranty service is provided exclusively by our authorized Whirlpool Service Providers. In the U.S. and Canada, direct all requests for warranty service to:

Whirlpool Customer eXperience Center

In the U.S.A., call 1-800-253-1301. In Canada, call 1-800-807-6777.

If outside the 50 United States or Canada, contact your authorized Whirlpool dealer to determine whether another warranty applies.



www.whirlpool.com/product_help

ONE YEAR LIMITED WARRANTY

WHAT IS COVERED

For one year from the date of purchase, when this major appliance is installed, operated and maintained according to instructions attached to or furnished with the product, Whirlpool Corporation or Whirlpool Canada LP (hereafter "Whirlpool") will pay for Factory Specified Replacement Parts and repair labor to correct defects in materials or workmanship that existed when this major appliance was purchased, or at its sole discretion replace the product. In the event of product replacement, your appliance will be warranted for the remaining term of the original unit's warranty period.

YOUR SOLE AND EXCLUSIVE REMEDY UNDER THIS LIMITED WARRANTY SHALL BE PRODUCT REPAIR AS PROVIDED HEREIN. Service must be provided by a Whirlpool designated service company. This limited warranty is valid only in the United States or Canada and applies only when the major appliance is used in the country in which it was purchased. This limited warranty is effective from the date of original consumer purchase. Proof of original purchase date is required to obtain service under this limited warranty.

WHAT IS NOT COVERED

1. Commercial, non-residential, multiple-family use, or use inconsistent with published user, operator or installation instructions.
2. In-home instruction on how to use your product.
3. Service to correct improper product maintenance or installation, installation not in accordance with electrical or plumbing codes or correction of household electrical or plumbing (i.e. house wiring, fuses or water inlet hoses).
4. Consumable parts (i.e. light bulbs, batteries, air or water filters, preservation solutions, etc.).
5. Conversion of products from natural gas or L.P. gas.
6. Damage from accident, misuse, abuse, fire, floods, acts of God or use with products not approved by Whirlpool.
7. Repairs to parts or systems to correct product damage or defects caused by unauthorized service, alteration or modification of the appliance.
8. Cosmetic damage including scratches, dents, chips, and other damage to the appliance finishes unless such damage results from defects in materials and workmanship and is reported to Whirlpool within 30 days.
9. Discoloration, rust or oxidation of surfaces resulting from caustic or corrosive environments including but not limited to high salt concentrations, high moisture or humidity or exposure to chemicals.
10. Food or medicine loss due to product failure.
11. Pick-up or delivery. This product is intended for in-home repair.
12. Travel or transportation expenses for service in remote locations where an authorized Whirlpool servicer is not available.
13. Removal or reinstallation of inaccessible appliances or built-in fixtures (i.e. trim, decorative panels, flooring, cabinetry, islands, countertops, drywall, etc.) that interfere with servicing, removal or replacement of the product.
14. Service or parts for appliances with original model/serial numbers removed, altered or not easily determined.

The cost of repair or replacement under these excluded circumstances shall be borne by the customer.

DISCLAIMER OF IMPLIED WARRANTIES

IMPLIED WARRANTIES, INCLUDING ANY IMPLIED WARRANTY OF MERCHANTABILITY OR IMPLIED WARRANTY OF FITNESS FOR A PARTICULAR PURPOSE, ARE LIMITED TO ONE YEAR OR THE SHORTEST PERIOD ALLOWED BY LAW. Some states and provinces do not allow limitations on the duration of implied warranties of merchantability or fitness, so this limitation may not apply to you. This warranty gives you specific legal rights, and you also may have other rights that vary from state to state or province to province.

DISCLAIMER OF REPRESENTATIONS OUTSIDE OF WARRANTY

Whirlpool makes no representations about the quality, durability, or need for service or repair of this major appliance other than the representations contained in this warranty. If you want a longer or more comprehensive warranty than the limited warranty that comes with this major appliance, you should ask Whirlpool or your retailer about buying an extended warranty.

LIMITATION OF REMEDIES; EXCLUSION OF INCIDENTAL AND CONSEQUENTIAL DAMAGES

YOUR SOLE AND EXCLUSIVE REMEDY UNDER THIS LIMITED WARRANTY SHALL BE PRODUCT REPAIR AS PROVIDED HEREIN. WHIRLPOOL SHALL NOT BE LIABLE FOR INCIDENTAL OR CONSEQUENTIAL DAMAGES. Some states and provinces do not allow the exclusion or limitation of incidental or consequential damages, so these limitations and exclusions may not apply to you. This warranty gives you specific legal rights, and you also may have other rights that vary from state to state or province to province.

SÉCURITÉ DE LA HOTTE DE CUISINIÈRE

Votre sécurité et celle des autres est très importante.

Nous donnons de nombreux messages de sécurité importants dans ce manuel et sur votre appareil ménager. Assurez-vous de toujours lire tous les messages de sécurité et de vous y conformer.



Voici le symbole d'alerte de sécurité.

Ce symbole d'alerte de sécurité vous signale les dangers potentiels de décès et de blessures graves à vous et à d'autres.

Tous les messages de sécurité suivront le symbole d'alerte de sécurité et le mot "DANGER" ou "AVERTISSEMENT". Ces mots signifient :

⚠ DANGER

Risque possible de décès ou de blessure grave si vous ne suivez pas immédiatement les instructions.

⚠ AVERTISSEMENT

Risque possible de décès ou de blessure grave si vous ne suivez pas les instructions.

Tous les messages de sécurité vous diront quel est le danger potentiel et vous disent comment réduire le risque de blessure et ce qui peut se produire en cas de non-respect des instructions.

Avertissements de la proposition 65 de l'État de Californie :

AVERTISSEMENT : Ce produit contient au moins un produit chimique connu par l'État de Californie pour être à l'origine de cancers.

AVERTISSEMENT : Ce produit contient au moins un produit chimique connu par l'État de Californie pour être à l'origine de malformations et autres déficiences de naissance.

IMPORTANTES INSTRUCTIONS DE SÉCURITÉ

AVERTISSEMENT : POUR RÉDUIRE LE RISQUE D'INCENDIE, CHOC ÉLECTRIQUE OU DOMMAGES CORPORELS, RESPECTER LES INSTRUCTIONS SUIVANTES :

- Utiliser cet appareil uniquement dans les applications envisagées par le fabricant. Pour toute question, contacter le fabricant.
- Avant d'entreprendre un travail d'entretien ou de nettoyage, interrompre l'alimentation de la hotte au niveau du tableau de disjoncteurs, et verrouiller le tableau de disjoncteurs pour empêcher tout rétablissement accidentel de l'alimentation du circuit. Lorsqu'il n'est pas possible de verrouiller le tableau de disjoncteurs, placer sur le tableau de disjoncteurs une étiquette d'avertissement proéminente interdisant le rétablissement de l'alimentation.
- Tout travail d'installation ou câblage électrique doit être réalisé par une personne qualifiée, dans le respect des prescriptions de tous les codes et normes applicables, y compris les codes du bâtiment et de protection contre les incendies.
- Ne pas faire fonctionner un ventilateur dont le cordon ou la fiche est endommagé(e). Jeter le ventilateur ou le retourner à un centre de service agréé pour examen et/ou réparation.
- Une source d'air de débit suffisant est nécessaire pour le fonctionnement correct de tout appareil à gaz (combustion et évacuation des gaz à combustion par la cheminée), pour qu'il n'y ait pas de reflux des gaz de combustion. Respecter les directives du fabricant de l'équipement de chauffage et les prescriptions des normes de sécurité - comme celles publiées par la National Fire Protection Association (NFPA) et l'American Society for Heating, Refrigeration and Air Conditioning Engineers (ASHRAE), et les prescriptions des autorités réglementaires locales.
- Lors d'opérations de découpage et de perçage dans un mur ou un plafond, veiller à ne pas endommager les câblages électriques ou canalisations qui peuvent s'y trouver.
- Les ventilateurs d'évacuation doivent toujours décharger l'air à l'extérieur.

MISE EN GARDE : Cet appareil est conçu uniquement pour la ventilation générale. Ne pas l'utiliser pour l'extraction de matières ou vapeurs dangereuses ou explosives.

MISE EN GARDE : Pour minimiser le risque d'incendie et évacuer adéquatement les gaz, veiller à acheminer l'air aspiré par un conduit jusqu'à l'extérieur - ne pas décharger l'air aspiré dans un espace vide du bâtiment comme une cavité murale, un plafond, un grenier, un vide sanitaire ou un garage.

AVERTISSEMENT : POUR RÉDUIRE LE RISQUE D'INCENDIE, UTILISER UNIQUEMENT DES CONDUITS MÉTALLIQUES.

AVERTISSEMENT : POUR MINIMISER LE RISQUE D'UN FEU DE GRAISSE SUR LA CUISINIÈRE :

- Ne jamais laisser un élément de surface fonctionner à puissance de chauffage maximale sans surveillance. Un renversement/débordement de matière grasseuse pourrait provoquer une inflammation et la génération de fumée. Utiliser une puissance de chauffage moyenne ou basse pour le chauffage d'huile.
- Veiller à toujours faire fonctionner le ventilateur de la hotte lors de la cuisson avec une puissance de chauffage élevée ou lors de la cuisson d'un mets à flamber (à savoir crêpes Suzette, cerise jubilé, steak au poivre flambé).
- Nettoyer fréquemment les ventilateurs d'extraction. Veiller à ne pas laisser la graisse s'accumuler sur les surfaces du ventilateur ou des filtres.
- Utiliser toujours un ustensile de taille appropriée. Utiliser toujours un ustensile adapté à la taille de l'élément chauffant.

AVERTISSEMENT : POUR RÉDUIRE LE RISQUE DE DOMMAGES CORPORELS APRÈS LE DÉCLENCHEMENT D'UN FEU DE GRAISSE SUR LA CUISINIÈRE, APPLIQUER LES RECOMMANDATIONS SUIVANTES :^a

- Placer sur le récipient un couvercle bien ajusté, une tôle à biscuits ou un plateau métallique **POUR ÉTOUFFER LES FLAMMES**, puis éteindre le brûleur. **VEILLER À ÉVITER LES BRÛLURES**. Si les flammes ne s'éteignent pas immédiatement, **ÉVACUER LA PIÈCE ET APPELER LES POMPIERS**.
- **NE JAMAIS PRENDRE EN MAIN UN RÉCIPENT ENFLAMMÉ** - vous risquez de vous brûler.
- **NE PAS UTILISER D'EAU**, ni un torchon humide - ceci pourrait provoquer une explosion de vapeur brûlante.
- Utiliser un extincteur **SEULEMENT** si :
 - Il s'agit d'un extincteur de classe ABC, dont on connaît le fonctionnement.
 - Il s'agit d'un petit feu encore limité à l'endroit où il s'est déclaré.
 - Les pompiers ont été contactés.
 - Il est possible de garder le dos orienté vers une sortie pendant l'opération de lutte contre le feu.

^aRecommandations tirées des conseils de sécurité en cas d'incendie de cuisine publiés par la NFPA.

- **AVERTISSEMENT :** Pour réduire le risque d'incendie ou de choc électrique, ne pas utiliser ce ventilateur avec un quelconque dispositif de réglage de la vitesse à semi-conducteurs.



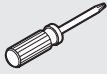


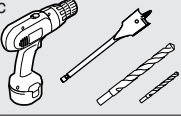
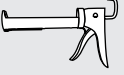

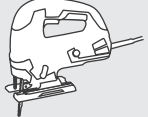
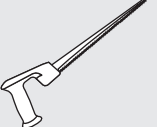
LIRE ET CONSERVER CES INSTRUCTIONS

EXIGENCES D'INSTALLATION

Outillage et pièces

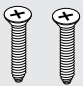
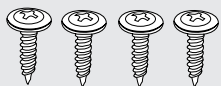
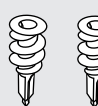


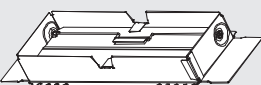
Rassembler les outils et pièces nécessaires avant d'entreprendre l'installation. Lire et observer les instructions fournies avec chacun des outils de la liste ci-dessous.

Outils nécessaires


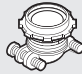

Cisaille de ferblantier 	Pince à dénuder 
Tournevis Phillips n° 2 	Tournevis à lame plate 
Crayon 	Perceuse avec forets de 1/8" (3 mm), 1/2" (13 mm) et 1 1/4" (3 cm) 
Pistolet à calfeutrage et composé de calfeutrage résistant aux intempéries 	
Scie sauteuse ou scie à guichet 	

Pièces fournies

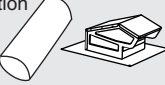


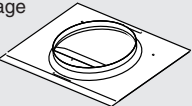
Retirer les pièces de l'emballage. Vérifier que toutes les pièces sont présentes.

Vis à tête plate n° 8-18 x 1" (4,2 x 25 mm) 	Vis à tête bombée n° 8-18 x 5/8" (4,2 x 16 mm) 
Chevilles d'ancrage 	Brides de montage 
Vis courtes à tête Phillips 	
Clapet anti-reflux rectangulaire de 3 1/4" x 10" (8,3 x 25,4 cm) 	

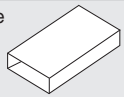

Pièces nécessaires

Connecteurs de fils homologués UL/CSA 	Serre-câble de 1/2" (13 mm) homologué UL/CSA 	Lampe à incandescence de 120 V, 75 watts maximum, à culot E26 
---	---	--


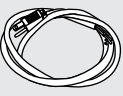

Pour installations avec conduit circulaire de 7" (17,8 cm)

Circuit d'évacuation métallique circulaire de 7" (17,8 cm) avec bouche de décharge à travers le mur ou à travers le toit 	Clapet anti-reflux circulaire de 7" (17,8 cm) Pièce numéro W10355451* 
Brides de conduit selon le besoin 	Plaque de montage de conduit circulaire de 7" (17,8 cm) Pièce numéro W10388168* 

Installations avec évacuation à l'extérieur et conduits circulaires de 3 1/4" x 10" (8,3 x 25,4 cm)

Circuit d'évacuation métallique rectangulaire de 3 1/4" x 10" (8,3 x 25,4 cm) avec bouche de décharge à travers le mur ou à travers le toit 	Ruban adhésif pour conduit 
--	---

Accessoires en option

Ensemble du filtre à charbon Pièce numéro W10355450* 	Ensemble du cordon d'alimentation Pièce numéro W10355452* 	Nettoyant et poli pour acier inoxydable Pièce numéro 31462A* 
--	--	---

*Pour des renseignements sur la commande, voir la section "Assistance ou service".

Exigences d'emplacement

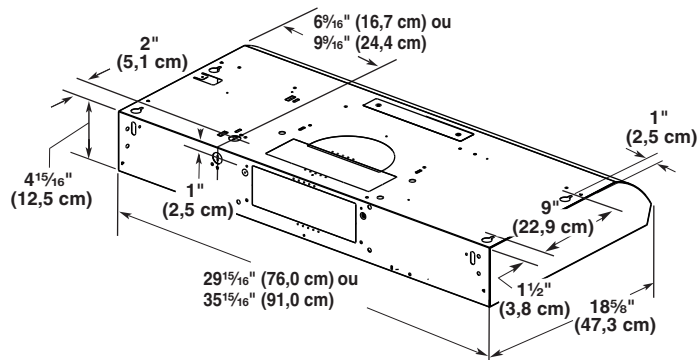
IMPORTANT : Observer les dispositions de tous les codes et règlements en vigueur.

- C'est à l'installateur qu'incombe la responsabilité de respecter les distances de séparation spécifiées sur la plaque signalétique. La plaque signalétique est située à l'intérieur de la hotte, sur la paroi de gauche.
- Installer la hotte de cuisinière à distance de toute zone exposée à des courants d'air, comme fenêtres, portes et bouches de chauffage à fort débit.
- Respecter les dimensions indiquées pour les ouvertures à découper dans les meubles. Ces dimensions tiennent compte des valeurs minimales des dégagements de séparation. Avant d'effectuer des découpages, consulter les instructions d'installation fournies par le fabricant de la table de cuisson/cuisinière.
- Il est recommandé d'utiliser cette hotte avec une table de cuisson dont la puissance totale ne dépasse pas 40 000 BTU.
- Une prise de courant électrique reliée à la terre est nécessaire. Voir la section "Spécifications électriques".
- Assurer l'étanchéité au niveau de chaque ouverture découpée dans le plafond ou le mur pour l'installation de la hotte de cuisinière.
- Ces hottes de cuisinière ont été configurées à l'usine pour une installation avec évacuation à l'extérieur. Les modèles pouvant être installés dans une configuration sans évacuation à l'extérieur (recyclage) nécessitent des filtres à charbon. Voir la section "Assistance ou service" pour connaître le processus de commande des filtres à charbon.

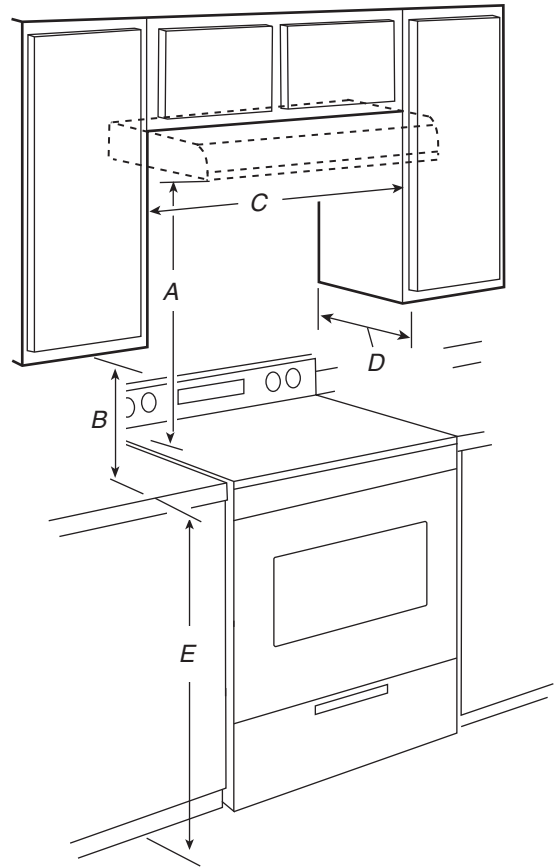
Installation dans une résidence mobile

L'installation de cette hotte doit satisfaire aux exigences de la norme Manufactured Home Construction Safety Standards, Titre 24 CFR, partie 328 (anciennement Federal Standard for Mobile Home Construction and Safety, titre 24, HUD, partie 280); lorsque cette norme n'est pas applicable, l'installation doit satisfaire aux critères de la plus récente édition de la norme Manufactured Home Installation 1982 (Manufactured Home Sites, Communities and Setups) ANSI A225.1/NFPA 501A, ou des codes et règlements locaux.

Dimensions du produit



Distances de dégagement à respecter



- A. 24" (61,0 cm) de distance minimale à partir de la surface de cuisson électrique.
24" (61,0 cm) de distance minimale à partir de la surface de cuisson au gaz.
30" (76,2 cm) de distance maximale suggérée au-dessus de la surface de cuisson
- B. 18" (45,7 cm) de dégagement minimal entre le placard supérieur et le plan de travail
- C. 30" (76,2 cm) de largeur de cabinet minimale pour les modèles de 30" (76,2 cm) et 36" (91,4 cm) de largeur minimale de placard pour les modèles de 36" (91,4 cm).
- D. 12" (30,5 cm) de profondeur de placard
- E. 36" (91,4 cm) de hauteur du placard du bas

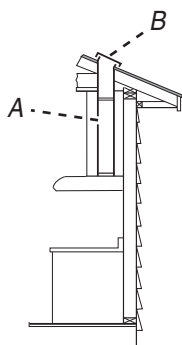
Méthodes d'évacuation

REMARQUES :

- L'emploi d'un conduit flexible est déconseillé. Un conduit flexible peut causer une rétro-pression et des turbulences de l'air, ce qui réduit considérablement la performance.
- Le circuit d'évacuation est facultatif pour ce modèle.

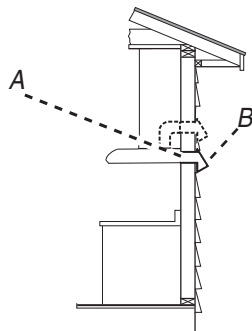
La sortie à l'extérieur du circuit d'évacuation peut se faire à travers le toit ou à travers un mur. Utiliser des conduits rectangulaires de 3¼" x 10" (8,3 x 25,4 cm) avec une longueur maximale de 35 pi (10,7 m) ou des conduits circulaires de 7" (17,8 cm) de diamètre ou plus avec une longueur maximale de 50 pi (15,2 m) pour le circuit d'évacuation.

Évacuation par le dessus



- A. Conduit circulaire de 7" (17,8 cm) pour évacuation à travers le toit (à acheter séparément). Conduit rectangulaire de 3¼" x 10" (8,3 x 25,4 cm) pour décharge à travers le toit (à acheter séparément).
- B. Bouche de décharge sur toit avec clapet (à acheter séparément)

Évacuation par le mur



- A. Conduit circulaire de 7" (17,8 cm) avec sortie par le dessus et décharge à travers le mur (à acheter séparément). Conduit rectangulaire de 3¼" x 10" (8,3 x 25,4 cm) pour décharge à travers le mur ou par le dessus (à acheter séparément).
- B. Bouche de décharge à travers le mur avec clapet (à acheter séparément)

Installations dans les régions au climat froid

On doit installer un clapet anti-retour supplémentaire à l'arrière pour minimiser le reflux d'air froid et incorporer un élément d'isolation thermique pour minimiser la conduction de chaleur par l'intermédiaire du conduit d'évacuation, de l'intérieur de la maison à l'extérieur. Le clapet anti-retour doit être placé du côté air froid de la résistance thermique.

L'élément d'isolation thermique doit être aussi proche que possible de l'endroit où le circuit d'évacuation s'introduit dans la partie chauffée de la maison.

Air d'appoint

Les codes locaux en bâtiment peuvent imposer l'emploi d'un circuit de renouvellement de l'air/introduction d'air d'appoint, lors de l'utilisation d'un circuit d'aspiration de débit supérieur à une valeur spécifiée en pieds cubes par minute. Le débit spécifié en pieds cubes par minute varie d'une juridiction à l'autre. Consulter un professionnel des installations de chauffage ventilation/climatisation au sujet des exigences spécifiques applicables dans la juridiction locale.

Exigences concernant l'évacuation

- Le circuit d'évacuation doit décharger l'air à l'extérieur, excepté pour les installations sans décharge à l'extérieur (recyclage).
- Ne pas terminer le circuit d'évacuation dans un grenier ou dans un autre espace clos.
- Ne pas utiliser une bouche de décharge murale de 4" (10,2 cm) normalement utilisée pour un équipement de buanderie.
- Utiliser un conduit métallique circulaire de 7" (17,8 cm) ou un conduit métallique rectangulaire de 3¼" x 10" (8,3 x 25,4 cm), en fonction de la configuration d'installation. Un conduit en métal rigide est recommandé. Ne pas utiliser de conduit de plastique ou en aluminium.
- La longueur du circuit d'évacuation et le nombre de coudes doivent être réduits au minimum pour des performances optimales.


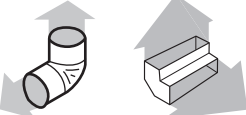
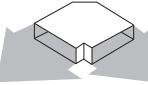
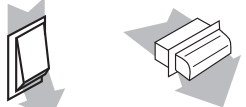

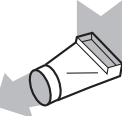
Pour un fonctionnement efficace et silencieux :

- Ne pas utiliser plus de trois coudes à 90°.
- Veiller à ce qu'il y ait une section droite de conduit d'un minimum de 24" (61 cm) entre les coudes si l'on doit utiliser plus d'un coude.
- Ne pas installer 2 coudes successifs.
- Utiliser des brides ou du ruban adhésif pour conduit pour assurer l'étanchéité de chaque jointure du circuit d'évacuation.
- Le circuit d'évacuation doit comporter un clapet anti-reflux. Si la bouche de décharge murale ou par le toit comporte un clapet, ne pas utiliser le clapet fourni avec la hotte de cuisinière.
- À l'aide d'un produit de calfeutrage, assurer l'étanchéité autour de la bouche de décharge à l'extérieur (à travers le mur ou le toit).

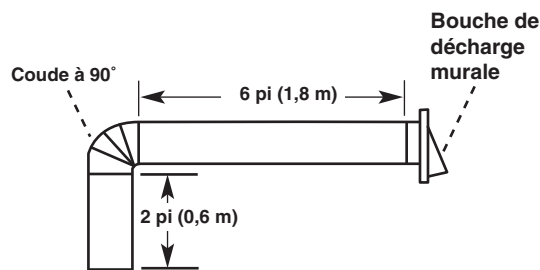
Calcul de la longueur du circuit d'évacuation

Pour calculer la longueur effective du circuit d'évacuation nécessaire, additionner les longueurs équivalentes (en pieds ou mètres) de tous les composants utilisés dans le circuit.

Circuit d'évacuation

Composant		
Coude à 45°	2,5 pi (0,8 m)	
Coude à 90°	5,0 pi (1,5 m)	
Coude plat de 3/4" x 10" (8,3 cm x 25,4 cm)	12 pi (3,7 m)	
Bouche de décharge murale de 7" (17,8 cm)	0 pi (0,0 m)	
3/4" x 10" (8,3 cm x 25,4 cm) à 7" (17,8 cm)	4,5 pi (1,4 m)	
Coude à 90° de 3/4" x 10" (8,3 cm x 25,4 cm) à 7" (17,8 cm)	5,0 pi (1,5 m)	

Exemple de circuit d'évacuation



1 coude à 90°	= 5,0 pi (1,5 m)
1 bouche de décharge murale	= 0 pi (0 m)
Section droite de 8 pi (2,4 m)	= 8 pi (2,4 m)
Longueur totale	= 13 pi (3,9 m)

Longueur maximale recommandée

Système d'évacuation avec conduits circulaires de 7" (17,8 cm)	= 50 pi (15,2 m)
Système d'évacuation rectangulaire de 3/4" x 10" (8,3 x 25,4 cm)	= 35 pi (10,7 m)

Spécifications électriques

Observer les dispositions de tous les codes et règlements en vigueur.

S'assurer que l'installation électrique est correcte et qu'elle satisfait aux exigences de la plus récente édition de la norme National Electrical Code, ANSI/NFPA 70, ou de la norme CSA C22. 1-94, Code canadien de l'électricité, partie 1 et C22.2 n° 0-M91 (dernière édition) et de tous les codes et règlements en vigueur.

Si les codes le permettent et si l'on utilise un conducteur distinct de liaison à la terre, il est recommandé qu'un électricien qualifié vérifie la qualité de la liaison à la terre.

Pour obtenir un exemplaire des normes des codes ci-dessus, contacter :

National Fire Protection Association
1 Batterymarch Park
Quincy, MA 02169-7471
CSA International
8501 East Pleasant Valley Road
Cleveland, OH 44131-5575

- L'appareil doit être alimenté par un circuit de 120 V, CA seulement, 60 Hz, 15 ampères, protégé par fusible.
- Si le domicile possède un câblage en aluminium, suivre la procédure ci-dessous :
 1. Raccorder une section de câble en cuivre massif aux conducteurs en queue de cochon.
 2. Connecter le câblage en aluminium à la section ajoutée de câblage en cuivre en utilisant des connecteurs et/ou des outils spécialement conçus et homologués UL pour fixer le cuivre à l'aluminium.
- Suivre la procédure recommandée par le fabricant de connecteurs électriques. Les raccordements aluminium/cuivre doivent satisfaire aux prescriptions des codes locaux et de l'industrie, et être conformes aux pratiques de câblage reconnues.
- Le calibre des conducteurs et les connexions doivent être compatibles avec les caractéristiques électriques de l'appareil spécifiées sur la plaque signalétique. La plaque signalétique de l'appareil est située derrière le filtre, sur la paroi arrière de la hotte.
- Le calibre des conducteurs doit être conforme aux exigences du National Electrical Code, de la plus récente édition de la norme ANSI/NFPA 70 ou des normes CSA C22. 1-94, Code canadien de l'électricité, partie 1 et C22.2 n° 0-M91 (édition la plus récente) et de tous les codes et règlements en vigueur.

INSTRUCTIONS D'INSTALLATION

REMARQUES :

- Selon le modèle, déterminer la méthode d'évacuation à utiliser : évacuation à travers le mur ou le toit, ou recyclage.
- Il est recommandé que l'installation du circuit d'évacuation soit réalisée avant celle de la hotte. Voir "Circuit d'évacuation" dans la section "Exigences d'installation" en cas de besoin.
- Avant d'exécuter les découpages, vérifier qu'il existe un dégagement suffisant dans le plafond ou le mur pour le conduit d'évacuation.

1. Déconnecter la source de courant électrique

⚠ AVERTISSEMENT



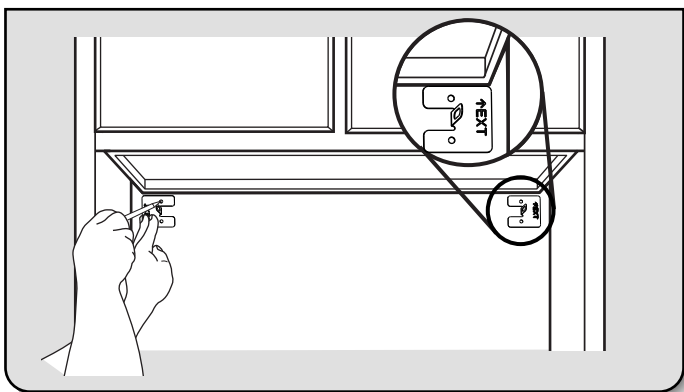
Risque de choc électrique

Déconnecter la source de courant électrique avant l'entretien.

Replacer pièces et panneaux avant de faire la remise en marche.

Le non-respect de ces instructions peut causer un décès ou un choc électrique.

2. Marquage de l'emplacement des trous

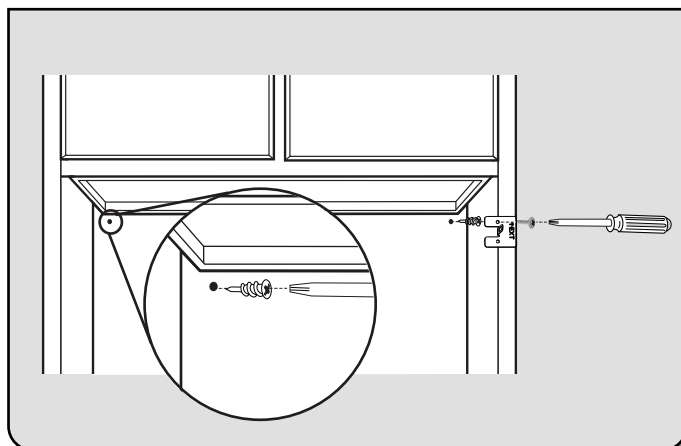


Aligner le bord extérieur des brides de montage avec les bords extérieurs du placard supérieur.

IMPORTANT : Les brides de montage doivent être en contact avec le placard supérieur.

Marquer les trous supérieurs des brides avec un crayon.

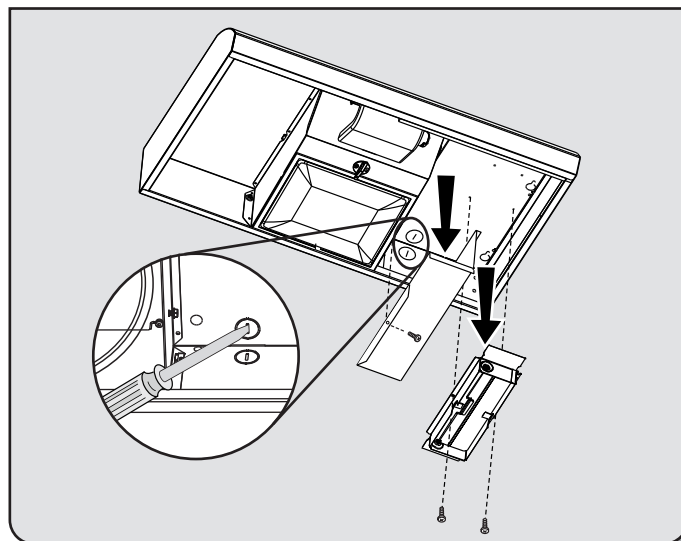
3. Installation des brides



- À l'aide d'un tournevis Phillips n° 2, installer les chevilles d'ancrage.
- À l'aide des vis à tête plate n° 8-18 x 1" (4,2 x 25 mm) Phillips n° 2, installer les brides de montage en utilisant les trous supérieurs.

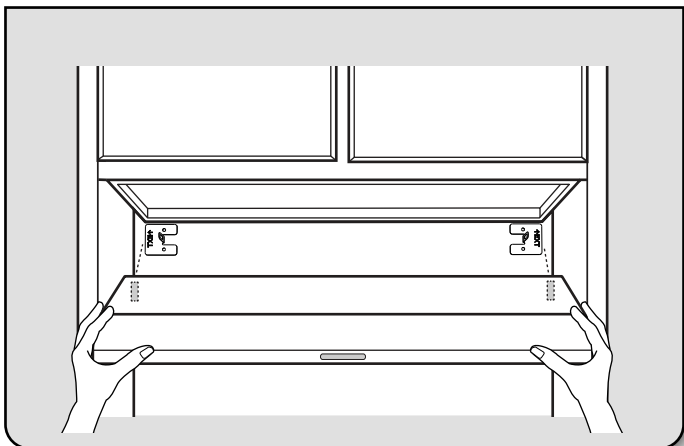
REMARQUE : Pour les installations sur une surface autre qu'un panneau de gypse, il est recommandé de faire appel à du personnel qualifié pour déterminer la méthode d'ancrage.

4. Préparation de la hotte

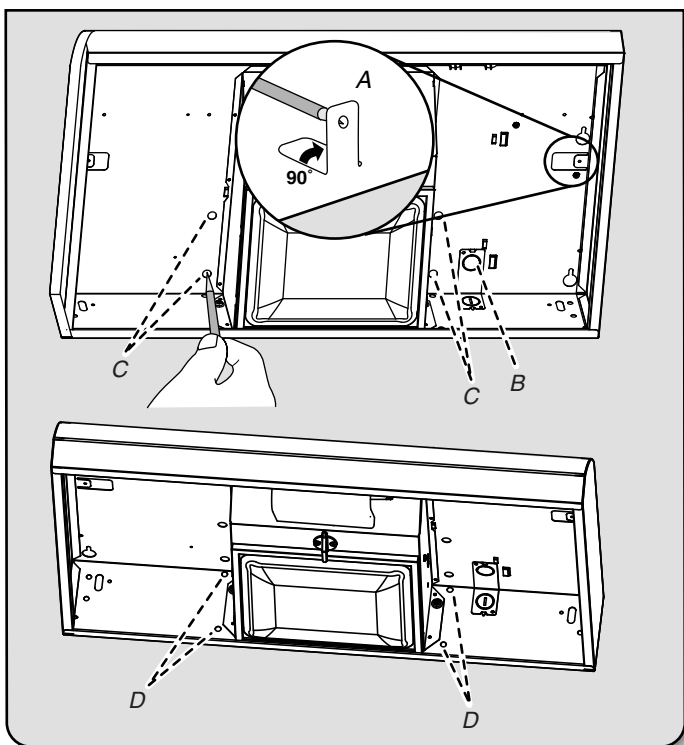


- Placer la hotte en appui sur la face arrière, sur une surface couverte.
- À l'aide d'un tournevis Phillips n° 2, retirer le clapet rectangulaire attaché avec des vis de 3,5 x 9,5 mm.
- À l'aide d'un tournevis Phillips n° 2, retirer le couvercle du boîtier de raccordement.
- A l'aide d'un tournevis à lame plate, retirer l'opercule pour le passage de l'alimentation électrique approprié.

5. Marquage de l'emplacement des trous



Soulever la hotte et la mettre en place, et insérer les pattes des brides de montage dans les fentes situées à l'arrière de la hotte.



Maintenir la hotte en place d'une main ferme et plier chaque patte de montage (A) vers le haut en formant un angle d'environ 90°.

Marquer le trou à l'emplacement de l'opercule pour le passage de l'alimentation électrique (B).

Pour une installation sans évacuation à l'extérieur (recyclage) : Passer à l'étape 7.

Pour une installation à évacuation par le dessus : Marquer l'emplacement des 4 trous d'évacuation (C) sur la partie supérieure de la hotte.

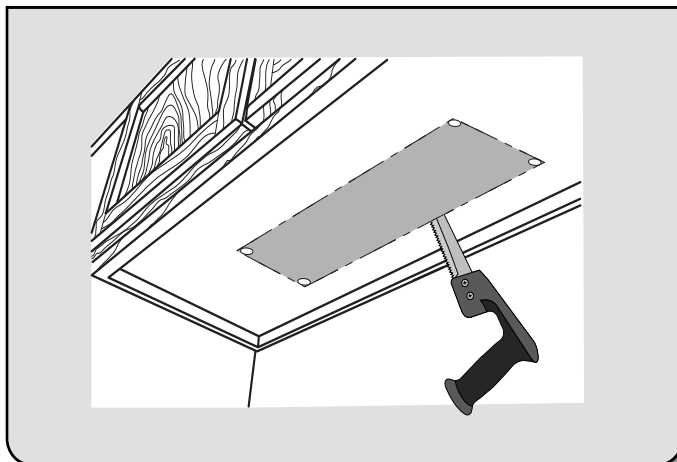
Pour une installation à évacuation par l'arrière : Marquer l'emplacement des 4 trous d'évacuation (D) sur la partie arrière de la hotte.

FACULTATIF : Marquer le trou de chaque patte de montage.

Retirer la hotte et la mettre de côté.

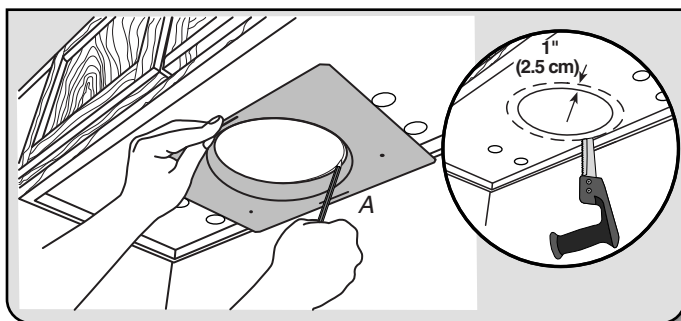
6. Marquage et découpage de l'ouverture d'évacuation

Système d'évacuation rectangulaire métallique de 3¼" x 10" (8,3 x 25,4 cm)



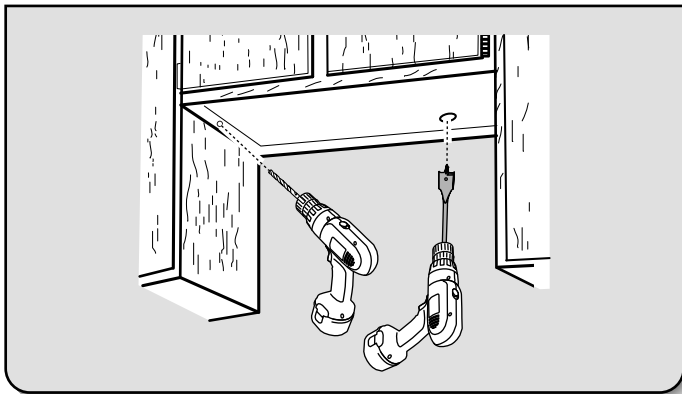
- À l'aide d'un foret de ½" (13 mm), percer un trou à chaque marque effectuée précédemment sur la paroi ou le placard supérieur. En utilisant les extrémités externes des trous, marquer l'ouverture de l'évacuation.
- Utiliser une scie sauteuse ou une scie à guichet pour découper l'ouverture d'évacuation.

Système d'évacuation circulaire de 7" (17,8 cm)



- À l'aide de la plaque de montage du conduit circulaire de 7" (17,8 cm), marquer le tracé de l'ouverture d'évacuation sur la face inférieure du placard :
 - Placer la plaque de montage de conduit sur le fond du placard. Positionner contre le mur le bord de la plaque de montage comportant la plus grande distance (A) entre le trou et le bord de la plaque. Positionner les bords latéraux de la plaque de montage entre les trous marqués précédemment.
 - IMPORTANT :** Le bord le plus large (A) de la plaque de montage doit être positionné contre le mur.
 - Marquer le tracé de l'ouverture d'évacuation de 7" (17,8 cm) sur le fond du placard (ligne continue sur l'illustration).
- Utiliser une scie sauteuse ou une scie à guichet pour découper une ouverture d'évacuation de 1" (2,5 cm) plus large que le trou de 7" (17,8 cm) tracé en pointillés sur l'illustration.

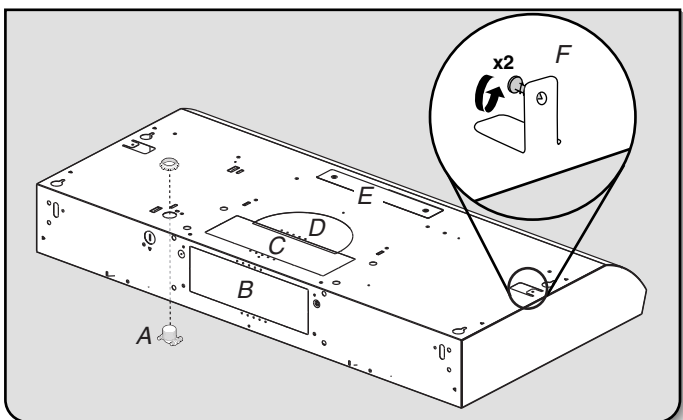
7. Perçage des ouvertures des câbles électriques



À l'aide d'un foret de 1¼" (3 cm), percer le trou à l'emplacement du serre-câble marqué précédemment.

FACULTATIF : À l'aide d'un foret de ⅛" (3 mm), percer des avant-trous aux emplacements de chaque patte de montage marqués précédemment, à un angle d'environ 45° vers le haut.

8. Préparation des conduits d'évacuation et des pattes de montage de la hotte



■ Installation du serre-câble

Installer un serre-câble de ½" (13 mm) homologué UL/CSA (A).

■ Pattes de montage

Engager une vis à tête bombée n° 8-18 x ⅝" (4,2 x 16 mm) dans la patte de montage (F) de chaque côté de la hotte comme illustré. Faire tourner les vis sur environ 2 tours à travers les trous des pattes de montage.

■ Installations sans évacuation à l'extérieur (recyclage)

Retirer les 2 vis à l'aide d'un tournevis Phillips n° 2 et retirer le couvercle rectangulaire avant supérieur (E). Passer à l'étape 12.

■ Installations à circuit d'évacuation pour conduit rectangulaire de 3¼" x 10" (8,3 x 25,4 cm)

Pour les installations à évacuation par le dessus, retirer l'opercule amovible rectangulaire supérieur du conduit d'évacuation (C).

OU

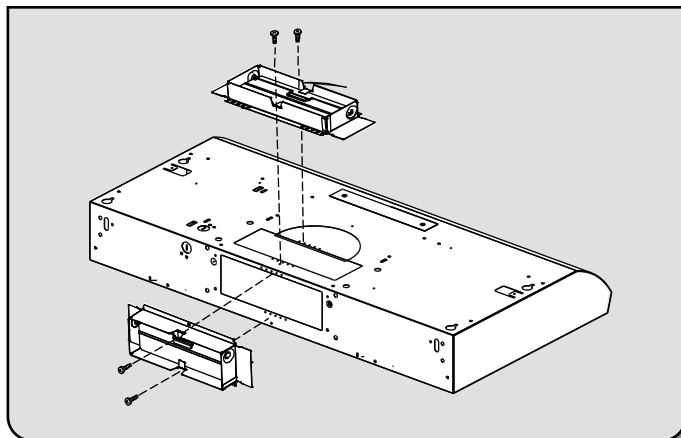
Pour les installations à évacuation à travers le mur, retirer l'opercule amovible rectangulaire arrière du conduit d'évacuation (B).

■ Installations d'évacuation pour conduit circulaire de 7" (17,8 cm)

Retirer les deux opercules supérieurs (C et D).

9. Fixation du clapet anti-reflux ou du raccord de transition

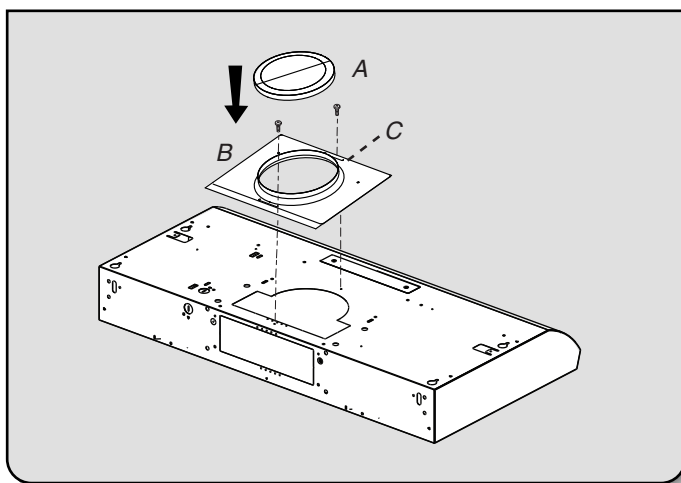
Clapet anti-reflux pour conduit rectangulaire de 3¼" x 10" (8,3 x 25,4 cm)



- À l'aide de (2) vis courtes à tête Phillips, installer le clapet anti-reflux rectangulaire de 3¼" x 10" (8,3 x 25,4 cm) par-dessus l'emplacement de l'opercule supérieur ou arrière retiré lors de l'étape 8.

REMARQUE : Si la bouche de décharge utilisée comporte un clapet anti-reflux interférant avec le clapet rectangulaire, retirer le volet du clapet rectangulaire.

Plaque de montage de conduit circulaire de 7" (17,8 cm)

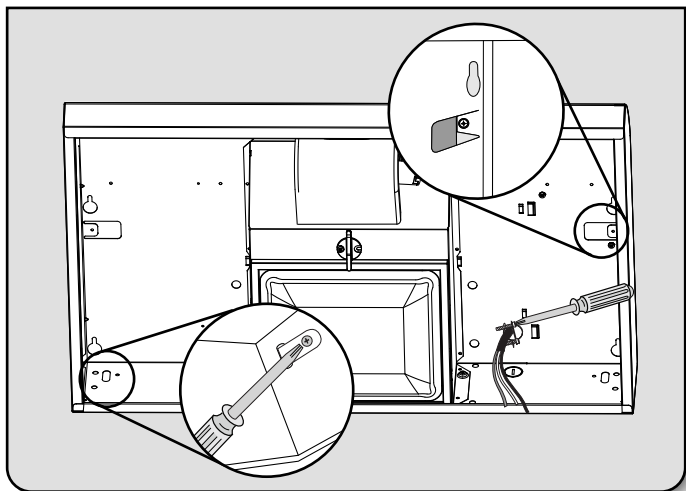


- À l'aide de (2) vis courtes à tête Phillips, installer la plaque de montage du conduit circulaire de 7" (17,8 cm) par-dessus les opercules retirés lors de l'étape 8. Positionner le rebord large (C) à l'avant.

REMARQUE : Un clapet anti-reflux circulaire de 7" (17,8 cm) (A), (pièce numéro W10355451), ainsi qu'une plaque de montage de conduit circulaire de 7" (17,8 cm) (B), (pièce numéro W10388168) sont disponibles en option. Pour des renseignements sur la commande, voir la section "Assistance ou service".

- En cas d'installation du clapet circulaire anti-reflux en option, le positionner par-dessus la plaque de montage de conduit circulaire.

10. Montage de la hotte



- Soulever la hotte et la mettre en place en positionnant les encoches arrière sur les brides de montage.
- À l'aide du tournevis Phillips, visser complètement les vis précédemment engagées dans les pattes de montage et plier les pattes contre les parois latérales du placard. Fixer les vis sur les parois latérales du placard.
- Pour les installations à raccordement direct, acheminer le câble d'alimentation du domicile selon les prescriptions du Code national de l'électricité ou des normes CSA et des codes et règlements locaux. La longueur du câblage depuis le tableau de distribution (avec fusibles ou disjoncteurs) doit être suffisante pour réaliser facilement le raccordement dans le boîtier de connexion de la hotte.
- Serrer les vis du serre-câble.

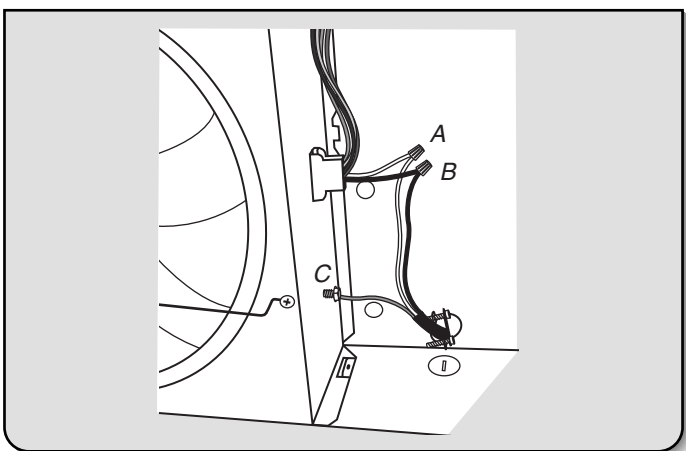
REMARQUE : Ne pas mettre le système sous tension avant d'avoir complètement terminé l'installation.

FACULTATIF : Il est également possible de plier les pattes arrière contre l'arrière de la hotte, et de les fixer à la paroi à l'aide de vis à tête bombée n° 8-18 x 5/8" (4,2 x 16 mm).

11. Raccordement du circuit d'évacuation

- Raccorder le circuit d'évacuation à la hotte.
- Assurer l'étanchéité des jointures avec des brides de conduit ou du ruban adhésif pour conduit.
- Vérifier que les clapets anti-reflux fonctionnent correctement.

12. Raccordement électrique



Option 1 - Installations avec raccordement par câblage direct

- Connecter ensemble les 2 conducteurs blancs (A) à l'aide d'un connecteur de fils homologué UL/CSA.
- Connecter ensemble les 2 conducteurs noirs (B) à l'aide d'un connecteur de fils homologué UL/CSA.

⚠ AVERTISSEMENT



Risque d'incendie

Relier le ventilateur à la terre.

Utiliser du fil en cuivre.

Brancher le fil relié à la terre à la vis verte reliée à la terre dans la boîte de la borne.

Le non-respect de ces instructions peut causer un décès, un incendie ou un choc électrique.

- Connecter le conducteur de liaison à la terre (vert ou nu) (C) du câble d'alimentation à la vis verte de liaison à la terre située dans le boîtier de connexion de la hotte, et bien serrer la vis.

Réinstaller le couvercle du boîtier de connexion.

Reconnecter la source de courant électrique.

Option 2 - Installations avec l'ensemble du cordon d'alimentation

Pour les installations avec l'ensemble du cordon d'alimentation facultatif, suivre les instructions fournies avec l'ensemble du cordon d'alimentation. Voir la section "Assistance ou service" pour plus d'informations sur le processus de commande.

REMARQUE : Utiliser uniquement avec des nécessaires de raccordement du cordon d'alimentation de la hotte de cuisinière dont l'utilisation a été testée et déclarée adéquate pour ce modèle de hotte de cuisinière.

13. Achever l'installation

- Installer une ampoule à incandescence de 75 watts maximum, 120 V, à culot E26. Voir "Remplacement de l'ampoule à incandescence" dans la section "Entretien de la hotte".
- Réinstaller le filtre s'il a été retiré précédemment. Voir "Filtre à graisse métallique ou au charbon" dans la section "Entretien de la hotte".

Installations avec évacuation à l'extérieur : Installer un filtre métallique.

Pour les installations sans évacuation à l'extérieur (recyclage) : Installer un filtre à charbon.

- Contrôler le fonctionnement du ventilateur de la hotte et de la lampe. Voir la section "Utilisation de la hotte".

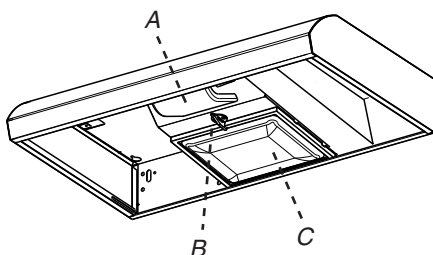
Si la hotte ne fonctionne pas, vérifier que le coupe-circuit ne s'est pas déclenché et qu'aucun fusible n'est grillé. Déconnecter la source de courant électrique et inspecter les connexions du câblage.

REMARQUE : Pour pouvoir tirer le plus grand parti de la nouvelle hotte de cuisinière, lire la section "Utilisation de la hotte".

UTILISATION DE LA HOTTE

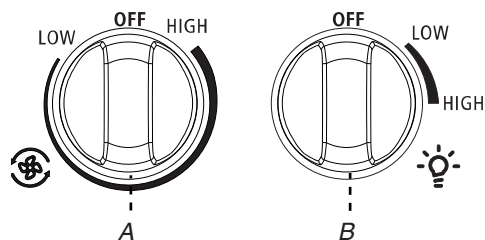
La hotte de cuisinière est conçue pour extraire fumée, vapeurs de cuisson et odeurs de la zone de la table de cuisson. Pour obtenir les meilleurs résultats, mettre le ventilateur de la hotte en marche avant d'entreprendre une cuisson, et laisser le ventilateur fonctionner pendant plusieurs minutes après l'achèvement d'une cuisson pour pouvoir évacuer de la cuisine toute trace d'odeur de cuisson, vapeur ou fumée.

Les commandes de la hotte sont situées sur le panneau avant de la hotte.



A. Logement et protège-ampoule de l'ampoule à incandescence
B. Patte de retenue du filtre à graisse
C. Filtre à graisse

Commandes de la hotte de cuisinière



A. Commutateur de vitesse du ventilateur
B. Commutateur d'éclairage Marche/arrêt

Fonctionnement de la lampe

Pousser le commutateur d'éclairage vers la droite à la position 1 pour placer la lumière au réglage d'éclairage faible (veilleuse).

Pousser le commutateur d'éclairage vers la droite à la position 2 pour placer la lumière au réglage d'éclairage puissant.

Fonctionnement du ventilateur

La vitesse du ventilateur est variable. Tourner le commutateur du ventilateur vers la droite pour mettre le ventilateur en position Marche. Continuer de faire tourner le commutateur jusqu'à la vitesse de ventilateur souhaitée.

Pour éteindre le ventilateur, tourner le commutateur de vitesse du ventilateur vers la gauche pour mettre le ventilateur en position Arrêt.

ENTRETIEN DE LA HOTTE

Nettoyage

IMPORTANT : Nettoyer fréquemment la hotte et les filtres à graisse en suivant les instructions suivantes. Réinstaller le filtre à graisse avant de faire fonctionner la hotte.

Surfaces externes :

IMPORTANT : Ne pas utiliser de tampons de récurage savonneux, de nettoyeurs abrasifs, de crème à polir pour table de cuisson, de laine d'acier, de chiffons de lavage rugueux ou d'essuie-tout.

Pour éviter d'endommager les surfaces en acier inoxydable, ne pas utiliser de nettoyeurs contenant du chlore.

Méthode de nettoyage :

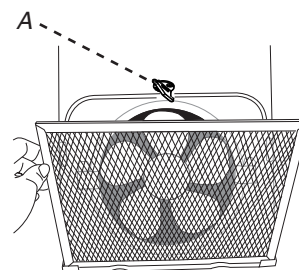
- Détergent liquide ou nettoyant tout usage : Rincer à l'eau propre et sécher avec un chiffon doux sans charpie.
- Nettoyant à vitre pour éliminer les traces de doigts.
- Pour les modèles en acier inoxydable, frotter dans la direction du grain pour éviter d'égratigner ou d'endommager la surface.
- Pour les modèles en acier inoxydable, utiliser le nettoyant et poli pour acier inoxydable – pièce n° 31462A (non inclus) : Voir la section "Assistance ou service" pour commander.



Filtre à graisse métallique ou au charbon

Nettoyage du filtre :

1. Ôter la vis de la patte de retenue du filtre à graisse.
2. Faire pivoter la patte de retenue du filtre à graisse pour libérer le filtre.



A. Patte de retenue du filtre

3. **Installations avec évacuation à l'extérieur :** Laver le filtre métallique si nécessaire au lave-vaisselle ou dans une solution de détergent chaude.

Pour les installations sans évacuation à l'extérieur

(recyclage) : Remplacer le filtre en métal par un filtre à charbon. Le filtre à charbon n'est pas lavable. Celui-ci devrait durer pendant 6 mois dans des conditions d'utilisation normales. Pour des renseignements sur la commande, voir la section "Assistance ou service". Jeter le filtre à charbon usagé.

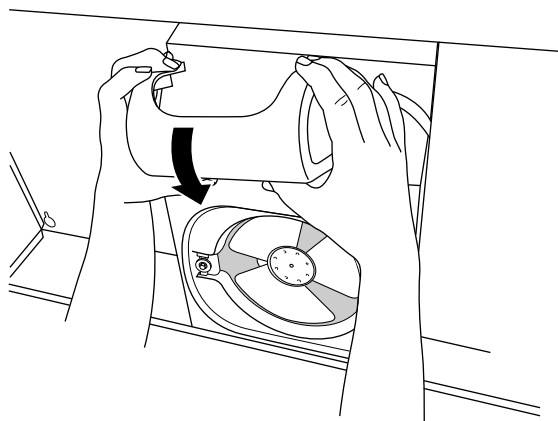
Remplacement du filtre :

1. Pour réinstaller le filtre, placer le rebord arrière du filtre dans la rainure à l'arrière de la hotte. Enfoncer le filtre en place et faire pivoter la patte de retenue du filtre pour fixer le filtre à la hotte.
2. Réinstaller la vis dans la patte de retenue du filtre à graisse.

Remplacement de l'ampoule à incandescence

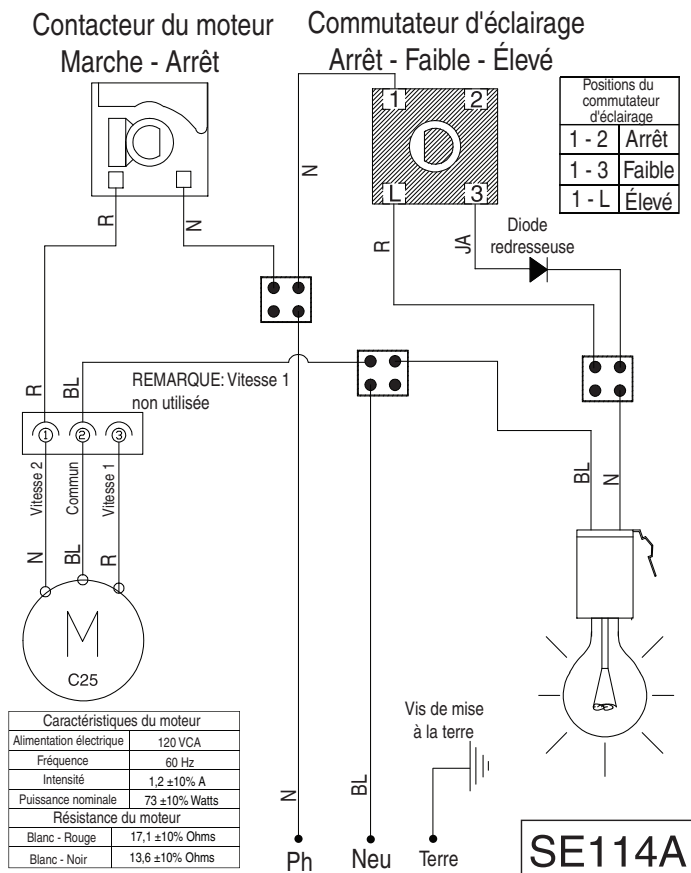
Éteindre la hotte et laisser l'ampoule refroidir.

1. Déconnecter la source de courant électrique.
2. Exercer une pression sur le cabochon en plastique pour pouvoir le retirer de la hotte.



3. Installer une ampoule à incandescence de 75 watts maximum, 120 V, à culot E26.
 4. Réinstaller le cabochon : Exercer une pression sur le cabochon pour pouvoir insérer les pattes dans les ouvertures d'insertion.
 5. Reconnecter la source de courant électrique.
- Si la nouvelle lampe ne fonctionne pas, vérifier que l'ampoule est correctement insérée dans sa douille avant de demander l'intervention d'un dépanneur.

SCHÉMA DE CÂBLAGE



ASSISTANCE OU SERVICE

Si vous avez besoin de service

Consulter la page de garantie du présent manuel.

Si vous avez besoin de pièces de rechange

Si vous avez besoin de commander des pièces de rechange, nous vous recommandons d'utiliser seulement des pièces spécifiées par l'usine. Les pièces spécifiées par l'usine conviendront et fonctionneront bien car elles sont fabriquées avec la même précision que celle utilisée pour fabriquer chaque nouvel appareil.

Pour localiser des pièces spécifiées par l'usine dans votre région, composer le numéro de téléphone d'aide à la clientèle suivant ou appeler le centre de service désigné le plus proche.

Pour plus d'assistance

Si vous avez besoin de plus d'assistance, vous pouvez soumettre par écrit toute question ou préoccupation à Whirlpool Canada à l'adresse suivante :

Whirlpool Brand Home Appliances
Centre pour l'eXpérience de la clientèle
Whirlpool Canada
200 - 6750 Century Ave.
Mississauga, Ontario L5N 0B7

Veillez inclure dans votre correspondance un numéro de téléphone où l'on peut vous joindre dans la journée.

Au Canada

Veillez appeler sans frais le Centre pour l'eXpérience de la clientèle de Whirlpool Canada au : **1-800-807-6777** ou visitez notre site web à **www.whirlpool.ca**.

Nos consultants vous renseigneront sur les sujets suivants :

- Programmation d'une intervention de dépannage. Les techniciens de service désignés par Whirlpool sont formés pour remplir la garantie des produits et fournir un service après garantie partout au Canada.
- Caractéristiques et spécifications sur toute notre gamme d'appareils électroménagers.
- Références aux marchands locaux.
- Consignes d'utilisation et d'entretien.
- Vente d'accessoires et de pièces de rechange.
- Orientation vers des concessionnaires, distributeurs de pièces de rechange et services de réparation locaux. Les techniciens de service désignés par Whirlpool Canada LP sont formés pour remplir la garantie des produits et fournir un service après la garantie, partout au Canada.

GARANTIE LIMITÉE DES GROS APPAREILS MÉNAGERS WHIRLPOOL®

ATTACHEZ ICI VOTRE REÇU DE VENTE. UNE PREUVE D'ACHAT EST OBLIGATOIRE POUR OBTENIR L'APPLICATION DE LA GARANTIE.

Lorsque vous appelez le centre d'Expérience de la clientèle, veuillez garder à disposition les renseignements suivants :

- Nom, adresse et numéro de téléphone
- Numéros de modèle et de série
- Une description claire et détaillée du problème rencontré
- Une preuve d'achat incluant le nom et l'adresse du marchand ou du détaillant

SI VOUS AVEZ BESOIN DE SERVICE :

1. Avant de nous contacter pour obtenir un dépannage, veuillez déterminer si des réparations sont nécessaires pour votre produit. Certains problèmes peuvent être résolus sans intervention de dépannage. Prenez quelques minutes pour parcourir la section Dépannage ou Résolution de problèmes du guide d'utilisation et d'entretien, scannez le code QR ci-contre avec votre téléphone intelligent pour accéder à des ressources supplémentaires, ou rendez-vous sur le site <http://www.whirlpool.ca>.

2. Tout service sous garantie doit être effectué exclusivement par nos fournisseurs de dépannage autorisés Whirlpool. Aux É.-U. et au Canada, dirigez toutes vos demandes de service sous garantie au

Centre d'Expérience de la clientèle Whirlpool

Aux É.-U., composer le 1-800-253-1301. Au Canada, composer le 1-800-807-6777.

Si vous résidez à l'extérieur du Canada et des 50 États des États-Unis, contactez votre marchand Whirlpool autorisé pour déterminer si une autre garantie s'applique.



<http://www.whirlpool.ca>

GARANTIE LIMITÉE DE UN AN

CE QUI EST COUVERT

Pendant un an à compter de la date d'achat, lorsque ce gros appareil ménager est installé, utilisé et entretenu conformément aux instructions jointes à ou fournies avec le produit, Whirlpool Corporation ou Whirlpool Canada, LP (ci-après désignées "Whirlpool") décidera à sa seule discrétion de remplacer le produit ou de couvrir le coût des pièces spécifiées par l'usine et de la main-d'œuvre nécessaires pour corriger les vices de matériaux ou de fabrication qui existaient déjà lorsque ce gros appareil ménager a été acheté. S'il est remplacé, l'appareil sera couvert pour la période restant à courir de la garantie limitée d'un an du produit d'origine.

LE SEUL ET EXCLUSIF RECOURS DU CLIENT DANS LE CADRE DE LA PRÉSENTE GARANTIE LIMITÉE CONSISTE EN LA RÉPARATION PRÉVUE PAR LA PRÉSENTE. Le service doit être fourni par une compagnie de service désignée par Whirlpool. Cette garantie limitée est valide uniquement aux États-Unis ou au Canada et s'applique exclusivement lorsque le gros appareil ménager est utilisé dans le pays où il a été acheté. La présente garantie limitée est valable à compter de la date d'achat initial par le consommateur. Une preuve de la date d'achat initial est exigée pour obtenir un dépannage dans le cadre de la présente garantie limitée.

CE QUI N'EST PAS COUVERT

1. Usage commercial, non résidentiel ou par plusieurs familles, ou non-respect des instructions de l'utilisateur, de l'opérateur ou des instructions d'installation.
2. Visite d'instruction à domicile pour montrer à l'utilisateur comment utiliser l'appareil.
3. Visites de service pour rectifier une installation ou un entretien fautifs du produit, une installation non conforme aux codes d'électricité ou de plomberie, ou la rectification de l'installation électrique ou de la plomberie du domicile (ex : câblage électrique, fusibles ou tuyaux d'arrivée d'eau du domicile).
4. Pièces consommables (ex : ampoules, batteries, filtres à air ou à eau, solutions de conservation, etc.).
5. Conversion de votre produit du gaz naturel ou du gaz de pétrole liquéfié.
6. Dommages causés par : accident, mésusage, abus, incendie, inondations, catastrophe naturelle ou l'utilisation de produits non approuvés par Whirlpool.
7. Réparations aux pièces ou systèmes dans le but de rectifier un dommage ou des défauts résultant d'une réparation, altération ou modification non autorisée faite à l'appareil.
8. Défauts d'apparence, notamment les éraflures, traces de choc, fissures ou tout autre dommage subi par la fin de l'appareil ménager, à moins que ces dommages ne résultent de vices de matériaux ou de fabrication et ne soient signalés à Whirlpool dans les 30 jours suivant la date d'achat.
9. Décoloration, rouille ou oxydation des surfaces résultant d'environnements caustiques ou corrosifs incluant des concentrations élevées de sel, un haut degré d'humidité ou une exposition à des produits chimiques (exemples non exhaustifs).
10. Perte d'aliments ou de médicaments due à la défaillance du produit.
11. Enlèvement ou livraison. Ce produit est conçu pour être réparé à l'intérieur du domicile.
12. Frais de déplacement et de transport pour le dépannage/la réparation dans une région éloignée où une compagnie de service Whirlpool autorisée n'est pas disponible.
13. Retrait ou réinstallation d'appareils inaccessibles ou de dispositifs préinstallés (ex : garnitures, panneaux décoratifs, plancher, meubles, îlots de cuisine, plans de travail, panneaux de gypse, etc.) qui entravent le dépannage, le retrait ou le remplacement du produit.
14. Service et pièces pour des appareils dont les numéros de série et de modèle originaux ont été enlevés, modifiés ou ne peuvent pas être facilement identifiés.

Le coût d'une réparation ou d'un remplacement dans le cadre de ces circonstances exclues est à la charge du client.

CLAUSE D'EXONÉRATION DE RESPONSABILITÉ AU TITRE DES GARANTIES IMPLICITES

LES GARANTIES IMPLICITES, Y COMPRIS LES GARANTIES APPLICABLES DE QUALITÉ MARCHANDE OU D'APTITUDE À UN USAGE PARTICULIER, SONT LIMITÉES À UN AN OU À LA PLUS COURTE PÉRIODE AUTORISÉE PAR LA LOI. Certains États et provinces ne permettent pas de limitation sur la durée des garanties implicites de qualité marchande ou d'aptitude à un usage particulier, de sorte que la limitation ci-dessus peut ne pas être applicable dans votre cas. Cette garantie vous confère des droits juridiques spécifiques et vous pouvez également jouir d'autres droits qui peuvent varier d'une juridiction à l'autre.

EXONÉRATION DE RESPONSABILITÉ DANS LES DOMAINES NON COUVERTS PAR LA GARANTIE

Whirlpool décline toute responsabilité au titre de la qualité, de la durabilité ou en cas de dépannage ou de réparation nécessaire sur ce gros appareil ménager autre que les responsabilités énoncées dans la présente garantie. Si vous souhaitez une garantie plus étendue ou plus complète que la garantie limitée fournie avec ce gros appareil ménager, adressez-vous à Whirlpool ou à votre détaillant pour obtenir les modalités d'achat d'une garantie étendue.

LIMITATION DES RECOURS; EXCLUSION DES DOMMAGES FORTUITS OU INDIRECTS

LE SEUL ET EXCLUSIF RECOURS DU CLIENT DANS LE CADRE DE LA PRÉSENTE GARANTIE LIMITÉE CONSISTE EN LA RÉPARATION PRÉVUE PAR LA PRÉSENTE. WHIRLPOOL N'ASSUME AUCUNE RESPONSABILITÉ POUR LES DOMMAGES FORTUITS OU INDIRECTS. Certains États et certaines provinces ne permettent pas l'exclusion ou la limitation des dommages fortuits ou indirects de sorte que ces limitations et exclusions peuvent ne pas être applicables dans votre cas. Cette garantie vous confère des droits juridiques spécifiques et vous pouvez également jouir d'autres droits qui peuvent varier d'une juridiction à l'autre.

