



Refrigerator

User manual (fridge only)

RR39*

Free Standing Appliance

SAMSUNG

Contents

Safety information	3
Important safety symbols and precautions:	6
Severe warning signs for transportation and site	7
Critical installation warnings	7
Installation cautions	11
Critical usage warnings	12
Usage warning	16
Usage cautions	17
Cleaning cautions	19
Critical disposal warnings	20
Additional tips for proper usage	22
Saving Energy Tips	23
This appliance is intended to be used in household and similar applications such as	23
Instructions about the WEEE	24
Installation	25
Refrigerator at a glance	25
Step-by-step installation	26
Operations	31
Feature panel	31
Maintenance	33
Door reversal	33
Handle and care	42
Cleaning	43
Replacement	43
Pair installation	44
Troubleshooting	51
General	51
Do you hear abnormal sounds from the refrigerator?	53

Safety information

- Before using your new Samsung Refrigerator, please read this manual thoroughly to ensure that you know how to operate the features and functions that your new appliance offers safely and efficiently.
- This appliance is not intended for use by persons (including children) with reduced physical, sensory, or mental capabilities, or those who lack experience and knowledge, unless they have been given supervision or instruction concerning the use of the appliance by a person responsible for their safety.
- This appliance can be used by children aged from 8 years and above and persons with reduced physical, sensory or mental capabilities or lack of experience and knowledge if they have been given supervision or instruction concerning use of the appliance in a safe way and understand the hazards involved. Children shall not play with the appliance. Cleaning and user maintenance shall not be made by children without supervision. Children aged from 3 to 8 years are allowed to load and unload refrigerating appliances.
- Warnings and Important Safety Instructions in this manual do not cover all possible conditions and situations that may occur.
It is your responsibility to use common sense, caution, and care when installing, maintaining, and operating your appliance.

Safety information

- Because these following operating instructions cover various models, the characteristics of your refrigerator may differ slightly from those described in this manual and not all warning signs may be applicable. If you have any questions or concerns, contact your nearest service center or find help and information online at www.samsung.com.
- In order to avoid the creation of a flammable gas-air mixture if a leak in the refrigerating circuit occurs, the size of the room in which the appliance may be sited depends on the amount of refrigerant used.
- Never start up an appliance showing any signs of damage. If in doubt, consult your dealer. The room must be 1 m³ in size for every 8 g of R-600a refrigerant inside the appliance. The amount of refrigerant in your particular appliance is shown on the identification plate inside the appliance.
- Refrigerant squirting out of the pipes could ignite or cause an eye injury. When refrigerant leaks from the pipe, avoid any naked flames and move anything flammable away from the product and ventilate the room immediately.
 - Failing to do so may result in fire or explosion.
- It is hazardous for anyone other than an Authorised Service Person to service this appliance.
- Do not store explosive substances such as aerosol cans with a flammable propellant in this appliance.
- To avoid contamination of food, please respect the following instructions:
 - Opening the door for long periods can cause a significant increase of the temperature in the compartments of the appliance.

- Clean regularly surfaces that can come in contact with food and accessible drainage systems.
- Clean water tanks if they have not been used for 48 h; flush the water system connected to a water supply if water has not been drawn for 5 days.
- Store raw meat and fish in suitable containers in the refrigerator, so that it is not in contact with or drip onto other food.
- Two-star frozen-food compartments are suitable for storing pre-frozen food, storing or making icecream and making ice cubes.
- One-, two- and three-star compartments are not suitable for the freezing of fresh food.
- If the refrigerating appliance is left empty for long periods, switch off, defrost, clean, dry, and leave the door open to prevent mould developing within the appliance.



Warning; Risk of fire / flammable materials

Safety information

Important safety symbols and precautions:

Please follow all safety instructions in this manual. This manual uses the following safety symbols.

WARNING

Hazards or unsafe practices that may result in **severe personal injury, property damage, and/or death.**

CAUTION

Hazards or unsafe practices that may result in **severe personal injury and/or property damage.**

NOTE

Useful information that helps users understand or benefit from the refrigerator.

These warning signs are here to prevent injury to you and others.

Please follow them carefully.

After reading this section, keep it in a safe place for future reference.

Severe warning signs for transportation and site

WARNING

- When transporting and installing the appliance, care should be taken to ensure that no parts of the refrigerating circuit are damaged.
 - Refrigerant leaking from the pipe work could ignite or cause an eye injury. If a leak is detected, avoid any naked flames or potential sources of ignition and air the room in which the appliance is standing for several minutes.
 - This appliance contains a small amount of isobutane refrigerant (R-600a), a natural gas with high environmental compatibility that is, however, also combustible. When transporting and installing the appliance, care should be taken to ensure that no parts of the refrigerating circuit are damaged.

Critical installation warnings

WARNING

- Do not install the refrigerator in a damp location or place where it may come in contact with water.
 - Deteriorated insulation on electrical parts may cause an electric shock or fire.
- Do not place this refrigerator in direct sunlight or expose it to the heat from stoves, room heaters, or other appliances.

Safety information

- Do not plug several appliances into the same multiple power strip. The refrigerator should always be plugged into its own individual electrical outlet which has a voltage rating that matches the voltage listed on the refrigerator's rating plate.
 - This provides the best performance and also prevents overloading of house wiring circuits, which could cause a fire hazard from overheated wires.
- If the wall socket is loose, do not insert the power plug.
 - There is a risk of electric shock or fire.
- Do not use a power cord that has cracks or abrasion damage along its length or at either end.
- Do not bend the power cord excessively or place heavy objects on it.
- Do not pull or excessively bend the power cord.
- Do not twist or tie the power cord.
- Do not hook the power cord over a metal object, place a heavy object on the power cord, insert the power cord between objects, or push the power cord into the space behind the appliance.
- When moving the refrigerator, be careful not to roll over or damage the power cord.
 - This may result in an electric shock or fire.
- Never unplug your refrigerator by pulling on the power cord. Always grip the plug firmly and pull straight out from the outlet.
 - Damage to the cord may cause a short-circuit, fire, and/or electric shock.
- Do not store explosive substances such as aerosol cans with a flammable propellant in this appliance.

- Do not install this appliance near a heater or inflammable material.
- Do not install this appliance in a location where gas may leak.
 - This may result in an electric shock or fire.
- This refrigerator must be properly located and installed in accordance with the instructions in this manual before you use it.
- Connect the power plug in the proper position with the cord hanging down.
 - If you connect the power plug upside down, the wire can get cut off and cause a fire or electric shock.
- Make sure that the power plug is not crushed or damaged by the back of the refrigerator.
- Keep the packing materials out of reach of children.
 - There is a risk of death from suffocation if a child puts the packing materials on his or her head.
- The appliance must be positioned so that the plug is accessible after installation.
 - Failing to do so may result in an electric shock or fire due to electric leakage.
- Do not install this appliance in a humid, oily or dusty location, in a location exposed to direct sunlight and water (rain drops).
 - Deteriorated insulation of electrical parts may cause an electric shock or fire.
- If any dust or water is in the refrigerator, pull out power plug and contact your Samsung Electronics service center.
 - Otherwise there is a risk of fire.

Safety information

- Do not stand on top of the appliance or place objects (such as laundry, lighted candles, lighted cigarettes, dishes, chemicals, metal objects, etc.) on the appliance.
 - This may result in an electric shock, fire, problems with the product, or injury.
- You need to remove all the protective plastic film before you initially plug the product in.
- Children should be supervised to ensure that they do not play with the snap rings used for door adjustment or the water tube clips.
 - There is risk of death by suffocation if a child swallows a snap ring or water tube clip. Keep the snap rings and water tube clips out of children's reach.
- The refrigerator must be safely grounded.
 - Always make sure that you have grounded the refrigerator before attempting to investigate or repair any part of the appliance. Power leakages can cause severe electric shock.
- Never use gas pipes, telephone lines, or other potential lightning attractors as an electrical ground.
 - You must ground the refrigerator to prevent any power leakages or electric shocks caused by current leakage from the refrigerator.
 - This may result in an electric shock, fire, explosion, or problems with the product.
- Plug the power plug into the wall socket firmly. Do not use a damaged power plug, damaged power cord, or loose wall socket.
 - This may result in an electric shock or fire.

- If the power cord is damaged, have it replaced immediately by the manufacturer or one of its service agents.
- The fuse on the refrigerator must be changed by a qualified technician or service company.
 - Failing to do so may result in an electric shock or personal injury.
- When positioning the appliance, ensure the supply cord is not trapped or damaged.
- Do not locate multiple portable socket-outlets or portable power supplies at the rear of the appliance.

Installation cautions

CAUTION

- Allow sufficient space around the refrigerator and install it on a flat surface.
 - Keep the ventilation space in the appliance enclosure or mounting structure clear of obstructions.
- Allow the appliance to stand for 2 hours before loading foods after installation and turning on.
- We strongly recommend you have a qualified technician or service company install the refrigerator.
 - Failing to do so may result in an electric shock, fire, explosion, problems with the product, or injury.
- Overload on any one door may fell the refrigerator, causing physical injury.

Safety information

Critical usage warnings

WARNING

- Do not insert the power plug into a wall socket with wet hands.
 - This may result in an electric shock.
- Do not store articles on the top of the appliance.
 - When you open or close the door, the articles may fall and cause personal injury and/or material damage.
- Do not insert hands, feet or metal objects (such as chopsticks, etc.) into the bottom or the back of the refrigerator.
 - This may result in an electric shock or injury.
 - Any sharp edges may cause a personal injury.
- Do not put a container filled with water on the refrigerator.
 - If spilled, there is a risk of fire or electric shock.
- Do not keep volatile or flammable objects or substances (benzene, thinner, propane gas, alcohol, ether, LP gas, and other such products) in the refrigerator.
 - This refrigerator is for storing food only.
 - This may result in fire or explosion.
- Children should be supervised to ensure that they do not play with the appliance.
 - Keep fingers out of “pinch point” areas. Clearances between the doors and cabinet are necessarily small. Be careful when you open the doors if children are in the area.
- Do not let children hang on the door or door bins. A serious injury may occur.

- Do not let children go inside the refrigerator. They could become trapped.
- Do not insert your hands into the bottom area under the appliance.
 - Any sharp edges may cause personal injury.
- Do not store pharmaceutical products, scientific materials, or temperature sensitive products in the refrigerator.
 - Products that require strict temperature controls must not be stored in the refrigerator.
- Do not place or use electrical appliance inside the refrigerator, unless they are of a type recommended by the manufacturer.
- If you smell pharmaceutical or smoke, pull out power plug immediately and contact your Samsung Electronics service center.
- If any dust or water is in Refrigerator, pull out power plug and contact your Samsung Electronics service center.
 - Otherwise there is a risk of fire.
- Do not let children step on a drawer.
 - The drawer may break and cause them to slip.
- Do not leave the doors of the refrigerator open while the refrigerator is unattended and do not let children enter inside the refrigerator.
- Do not allow babies or children go inside the drawer.
 - It can cause death from suffocation by entrapment or personal injury.
- Do not overfill the refrigerator with food.
 - When you open the door, an item may fall out and cause personal injury or material damage.

Safety information

- Do not spray volatile material such as insecticide onto the surface of the appliance.
 - As well as being harmful to humans, it may also result in an electric shock, fire, or problems with the product.
- Do not use or place any substances sensitive to temperature such as flammable sprays, flammable objects, dry ice, medicine, or chemicals near or inside of the refrigerator.
- Do not use a hair dryer to dry the inside of the refrigerator. Do not place a lighted candle in the refrigerator for removing bad odours.
 - This may result in an electric shock or fire.
- Do not stand on top of the appliance or place objects (such as laundry, lighted candles, lighted cigarettes, dishes, chemicals, metal objects, etc.) on the appliance. This may result in an electric shock, fire, problems with the product, or injury. Do not put a container filled with water on the appliance.
 - If spilled, there is a risk of fire or electric shock.
- Do not use mechanical devices or any other means to accelerate the defrosting process, other than those recommended by the manufacturer.
- Do not damage the refrigerant circuit.
- Never stare directly at the UV LED lamp for long periods of time.
 - This may result in eye strain due to the ultraviolet rays.
- Do not put fridge shelf in upside down. Shelf stopper could not work.
 - It may cause a personal injury because of glass shelf drop.

- Keep fingers out of “pinch point” areas. Clearances between the doors and cabinet are necessarily small. Be careful when you open the doors if children are in the area.
- If a gas leak is detected, avoid any naked flames or potential sources of ignition, and air the room in which the appliance is standing for several minutes.
 - Do not touch the appliance or power cord.
 - Do not use a ventilating fan.
 - A spark may result in explosion or fire.
- Use only the LED Lamps provided by the manufacturer or its service agents.
- Bottles should be stored tightly together so that they do not fall out.
- This product is intended only for the storage of food in a domestic environment.
- Do not attempt to repair, disassemble, or modify the refrigerator yourself.
 - Unauthorized modifications can cause safety problems. To reverse an unauthorized modification, we will charge the full cost of parts and labor.
- Do not use any fuse (such as cooper, steel wire, etc.) other than a standard fuse.
- If your refrigerator needs to be repaired or reinstalled, contact your nearest service center.
 - Failing to do so may result in an electric shock, fire, problems with the product, or injury.
- If the interior or exterior LED lamp has gone out, contact your nearest service center.

Safety information

- If the refrigerator emits a burning smell or smoke, unplug the refrigerator immediately and contact your Samsung Electronics service center.
 - Failing to do so may result in an electric or fire hazards.
- Pull the power plug out of the socket before changing the interior lamps of the refrigerator.
 - Otherwise, there is a risk of electric shock.
- If you experience difficulty changing a non-LED light, contact a Samsung service center.
- If the product is equipped with LED lamps, do not disassemble the Lamp Covers and LED lamps yourself.
 - Contact a Samsung service center.
- Plug the power plug into the wall socket firmly.
- Do not use a damaged power plug, damaged power cord or loose wall socket.
 - This may result in an electric shock or fire.

Usage warning

WARNING

- Keep ventilation openings, in the appliance enclosure or in the built-in structure, clear of obstruction.
- Do not use mechanical devices or other means to accelerate the defrosting process, other than those recommended by the manufacturer.
- Do not damage the refrigerant circuit.
- Do not use electrical appliances inside the food storage compartments of the appliance, unless they are of the type recommended by the manufacturer.

Usage cautions

CAUTION

- To get the best performance from the product:
 - Do not place food too close to the vents at the rear of the refrigerator as this can obstruct free air circulation in the refrigerator compartment.
 - Wrap food up properly or place it in airtight containers before putting it into the refrigerator.
 - Please observe maximum storage times and expiration dates of frozen goods.
- Service Warranty and Modification.
 - Any changes or modifications performed by a 3rd party on this finished appliance are not covered under Samsung warranty service, nor is Samsung responsible for safety issues that result from 3rd party modifications.
- Do not block the air vents inside the refrigerator.
 - If the air vents are blocked, especially with a plastic bag, the refrigerator can be over cooled.
- Wipe excess moisture from the inside and leave the doors open.
 - Otherwise, odor and mold may develop.
- If the refrigerator is disconnected from the power supply, you should wait for at least five minutes before plugging it back in.
- When the refrigerator got wet by water, pull out the power plug and contact your Samsung Electronics service center.

Safety information

- Do not strike or apply excessive force to any glass surface.
 - Broken glass may result in a personal injury and/or property damage.
- Fill the water tank and ice cube trays with potable water only (tap water, mineral water, or purified water).
 - Do not fill the tank with tea or a sports drink. This may damage the refrigerator.
- Be careful that your fingers are not caught in.
- If the refrigerator is flooded, make sure to contact your nearest service center.
 - There is a risk of electric shock or fire.

Cleaning cautions

CAUTION

- Do not spray water directly on the inside or outside the refrigerator.
 - There is a risk of fire or electric shock.
- Do not use a hair dryer to dry the inside of the refrigerator.
- Do not place a lighted candle in the refrigerator to remove bad odors.
 - This may result in an electric shock or fire.
- Fill the water tank, ice tray and water cubes only with potable water (mineral water or purified water).
 - Do not fill the tank with tea, juice or sports drink, this may damage the refrigerator.
- Do not spray cleaning products directly on the display.
 - Printed letters on the display may come off.
- If any foreign substance such as water has entered the appliance, unplug the power plug and contact your nearest service center.
 - Failing to do so may result in an electric shock or fire.
- Use a clean, dry cloth to remove any foreign matter or dust from the power plug blades. Do not use a wet or damp cloth when cleaning the plug.
 - Otherwise, there is a risk of fire or electric shock.
- Do not clean the appliance by spraying water directly onto it.

Safety information

- Do not use benzene, thinner, or Clorox, Chloride for cleaning.
 - They may damage the surface of the appliance and may cause a fire.
- Never put fingers or other objects into the dispenser hole.
 - It may cause a personal injury or material damage.
- Before cleaning or performing maintenance, unplug the appliance from the wall socket.
 - Failing to do so may result in an electric shock or fire.

Critical disposal warnings

WARNING

- Please dispose of the packaging material from this product in an environmentally friendly manner.
- Ensure that none of the pipes on the back of the refrigerator are damaged prior to disposal.
- R-600a or R-134a is used as a refrigerant. Check the compressor label on the rear of the appliance or the rating label inside the fridge to see which refrigerant is used for your refrigerator. If this refrigerator contains flammable gas (Refrigerant R-600a), contact your local authority in regard to safe disposal of this product.

-
- When disposing of this refrigerator, remove the door/door seals and door latch so that small children or animals cannot become trapped inside. Children should be supervised to ensure that they do not play with the appliance. If trapped inside, a child may get hurt or suffocate to death.
 - If trapped inside, the child may become injured and suffocate to death.
 - Cyclopentane is used in the insulation. The gases in the insulation material require a special disposal procedure. Please contact your local authorities in regard to the environmentally safe disposal of this product.
 - Keep all packaging materials well out of the reach of children, as packaging materials can be dangerous to children.
 - If a child places a bag over his or her head, the child could suffocate.

Safety information

Additional tips for proper usage

- In the event of a power failure, call the local office of your electric company and ask how long the failure is going to last.
 - Most power failures that are corrected in an hour or two will not affect your refrigerator temperatures. However, you should minimize the number of door openings while the power is off.
 - Should the power failure last more than 24 hours, remove and discard all stored food.
- The refrigerator might not operate consistently if sited for an extended period of time in a location where ambient air temperatures are constantly below the temperatures for which the appliance is designed.
- In case of particular foods, keeping it under refrigeration can have a bad effect on preservation due to its properties.
- Your appliance is frost free, which means there is no need to manually defrost your appliance. This will be carried out automatically.
- Temperature rise during defrosting complies with ISO requirements. If you want to prevent an undue rise in the temperature of stored food while the appliance defrosts, wrap the stored food in several layers of newspaper.

Saving Energy Tips

- Install the appliance in a cool, dry room with adequate ventilation. Ensure that it is not exposed to direct sunlight and never put it near a direct source of heat (a radiator, for example).
- Not to block any vents and grilles is recommended for energy efficiency.
- Allow warm food to cool down before placing it in the appliance.
- Do not keep the door of the refrigerator open for too long when putting food in or taking food out.
- It is recommended to install the refrigerator with clearance to the back and sides. This will help reduce power consumption and keep your energy bills lower.
- For the most efficient use of energy, please keep the all inner fittings such as baskets, drawers, shelves on the position supplied by manufacturer.

This appliance is intended to be used in household and similar applications such as

- staff kitchen areas in shops, offices and other working environments;
- farm houses and by clients in hotels, motels and other residential type environments;
- bed and breakfast type environments;
- catering and similar non-retail applications.

Safety information

Instructions about the WEEE



Correct Disposal of This Product (Waste Electrical & Electronic Equipment) (Applicable in countries with separate collection systems)

This marking on the product, accessories or literature indicates that the product and its electronic accessories (e.g. charger, headset, USB cable) should not be disposed of with other household waste at the end of their working life. To prevent possible harm to the environment or human health from uncontrolled waste disposal, please separate these items from other types of waste and recycle them responsibly to promote the sustainable reuse of material resources.

Household users should contact either the retailer where they purchased this product, or their local government office, for details of where and how they can take these items for environmentally safe recycling.

Business users should contact their supplier and check the terms and conditions of the purchase contract. This product and its electronic accessories should not be mixed with other commercial wastes for disposal.

For information on Samsung's environmental commitments and product regulatory obligations, e.g. REACH, WEEE or Batteries, visit our sustainability page available via www.samsung.com

(For products sold in European countries and in the UK only)

Installation

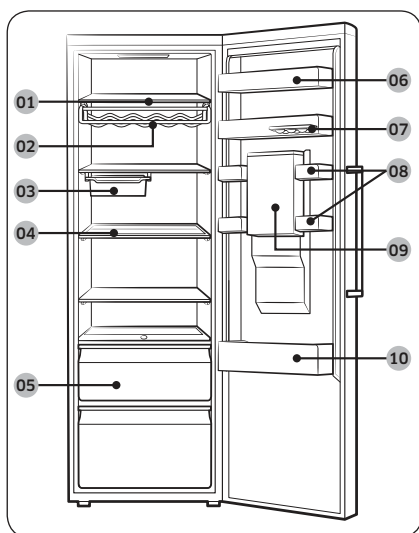
Follow these instructions carefully to ensure a proper installation of this refrigerator and to prevent accidents before using it.

⚠ WARNING

- Use the refrigerator only for its intended purpose as described in this manual.
- Any servicing must be performed by a qualified technician.
- Dispose of the product packaging material in compliance with the local regulations.
- To prevent electric shock, unplug the power cord before servicing or replacements.

Refrigerator at a glance

The actual image and provided parts of the refrigerator may differ, depending on the model and the country.



- 01 Fridge Shelves
 - 02 Wine rack *
 - 03 Moving Tray *
 - 04 Foldable shelf *
 - 05 Vegetable drawers
 - 06 Dairy bin
 - 07 Removable egg tray
 - 08 Multipurpose bin
 - 09 Water Tank *
 - 10 Beverage bin
- * applicable models only

📖 NOTE

- For best energy efficiency, make sure all of shelves, drawers, and baskets are placed in their original position.
- Keep soft food such as cheese in the multipurpose bin. For bottled beverages, store them in the beverage bin.

Installation

Step-by-step installation

STEP 1 Select a site

Site requirements:

- Solid, level surface without carpeting or flooring that may obstruct ventilation
- Away from direct sunlight
- Adequate room for opening and closing the door
- Away from a heat source
- Room for maintenance and servicing
- Temperature range: between 10 °C and 43 °C

Effective temperature range

The refrigerator is designed to operate normally in the temperature range specified by its class rating.

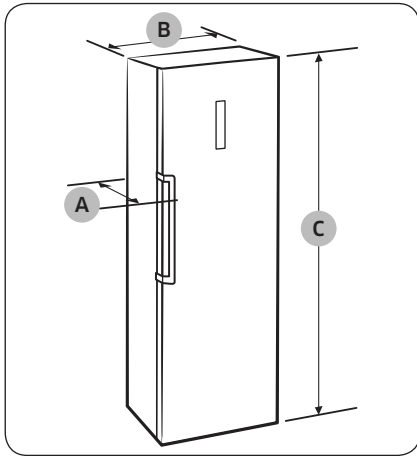
Class	Symbol	Ambient Temperature range (°C)	
		IEC 62552 (ISO 15502)	ISO 8561
Extended Temperate	SN	+10 to +32	+10 to +32
Temperate	N	+16 to +32	+16 to +32
Subtropical	ST	+16 to +38	+18 to +38
Tropical	T	+16 to +43	+18 to +43

NOTE

The cooling performance and power consumption of the refrigerator may be affected by the ambient temperature, the door-opening frequency, and the location of the refrigerator. We recommend adjusting the temperature settings as appropriate.

Clearance

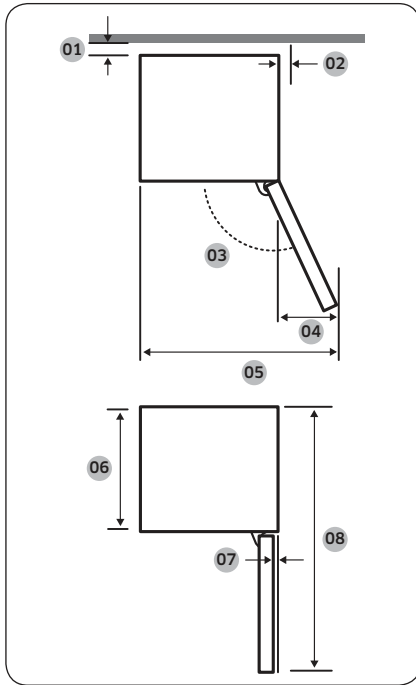
See the following figures and tables for space requirements for installation.



Depth "A"	688
Width "B"	595
Overall Height "C"	1853

(unit : mm)

Installation



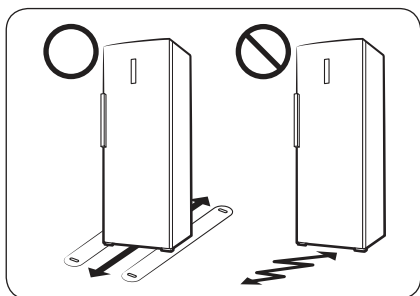
01	more than 50 mm recommended
02	more than 12 mm recommended
03	105°
04	175.5
05	765.5
06	575
07	2.5
08	1194

(unit : mm)

NOTE

The measurements in the table may differ, depending on the measuring method.

STEP 2 Flooring



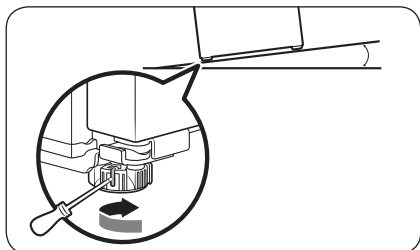
- The surface to install the refrigerator must support a fully loaded refrigerator.
- To protect the floor, put a large piece of cardboard on each foot of the refrigerator.
- Once the refrigerator is in its final position, do not move it unless necessary to protect the floor. If you have to, use a thick paper or cloth such as old carpet along the movement path.

STEP 3 Adjust the leveling legs

⚠ CAUTION

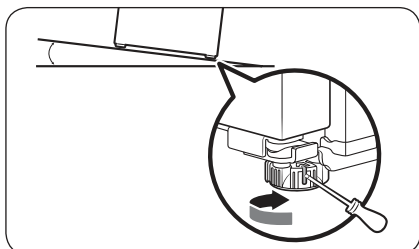
- The refrigerator must be leveled on a flat, solid floor. Failing to do so can cause damage to the refrigerator or physical injury.
- Leveling must be performed with an empty refrigerator. Make sure no food items remain inside the refrigerator.
- For safety reasons, adjust the front side a little higher than the rear side.

The refrigerator can be leveled using the front legs that have a special screw (leveler) for leveling purposes. Use a flat-head screwdriver for leveling.



To adjust the height of the left side:
Insert a flat-head screwdriver into the leveler of the front left leg. Turn the leveler clockwise to raise, or turn it counterclockwise to lower.

Installation



To adjust the height of the right side: Insert a flat-head screwdriver into the leveler of the front right leg. Turn the leveler clockwise to raise, or turn it counterclockwise to lower.

STEP 4 Initial settings

By completing the following steps, the refrigerator should be fully functioning.

1. Remove the PE foam sheet on each shelf corner, which is attached to protect the refrigerator during transportation.
2. Plug the power cord into the wall socket to turn the refrigerator on.
3. Open the door, and check if the interior light lights up.
4. Set the temperature to the coldest available, and wait for about an hour. Then, the refrigerator will be slightly chilled with the motor running smoothly.
5. Wait until the refrigerator reaches the set temperature. Now the refrigerator is ready for use.

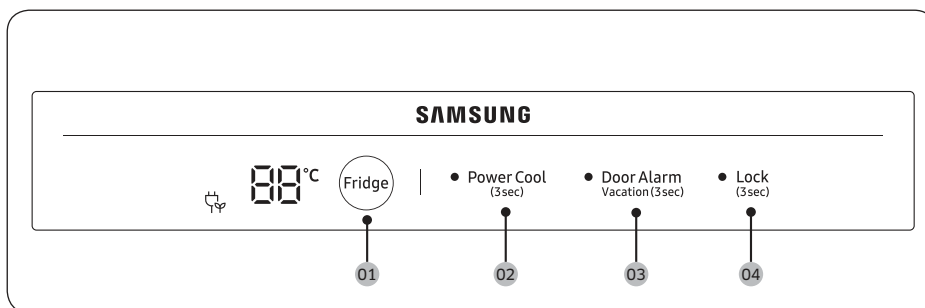
STEP 5 Final check

When installation is complete, confirm that:

- The refrigerator is plugged into an electrical outlet and grounded properly.
- The refrigerator is installed on a flat, level surface with a reasonable clearance from the wall or the cabinet.
- The refrigerator is level and is sitting firmly on the floor.
- The door opens and closes freely, and the interior light turns on automatically when you open the door.

Operations

Feature panel



01 Fridge

02 Power Cool

03 Door Alarm / Vacation

04 Lock

01 Fridge

Fridge	To adjust the fridge temperature, press Fridge to select the corresponding temperature. You can change the temperature between 1 °C and 7 °C (default: 3 °C).
--------	---

02 Power Cool (3 sec)

Power Cool	<p>Power Cool speeds up the cooling process at maximum fan speed. The fridge keeps running at full speed for two and a half hours and then returns to the previous temperature.</p> <ul style="list-style-type: none">To activate Power Cool, press and hold Power Cool for 3 seconds. The LED indicator on the left side of the button lights up, and the refrigerator will speed up the cooling process.To deactivate Power Cool, press and hold Power Cool again for 3 seconds. The fridge returns to the previous temperature setting. <p>NOTE Using Power Cool increases power consumption. Make sure you turn it off and return to the previous temperature if you don't intend to use it.</p>
------------	--

Operations

03 Door Alarm / Vacation (3 sec)

Door Alarm	<p>You can set the alarm for a reminder. If the door is left open for more than 2 minutes, the alarm will sound with the LED indicator on the left side of the button blinking.</p> <p>You can toggle to enable and disable the alarm by pressing Door Alarm.</p>
Vacation	<p>If you are going on vacation or a business trip, or if you do not intend to use the fridge for an extended time, use the Vacation mode.</p> <ul style="list-style-type: none">• To activate the Vacation mode, press and hold Vacation for 3 seconds. The Vacation On indicator () turns on while the display of the fridge temperatures will turn off. The fridge temperature will be controlled under 17 °C.• To deactivate the Vacation mode, press and hold Vacation again for 3 seconds. The fridge temperature will return to the previous setting. <p>NOTE</p> <ul style="list-style-type: none">• Make sure to remove foods in the fridge compartment before using the Vacation mode.• The Vacation mode will be disabled if you adjust the temperature.

04 Lock (3 sec)

Lock	<p>To prevent accidents or unintended use of the controls, press and hold Lock for 3 seconds to activate the Lock. All controls will be disabled with the LED indicator on the left side of the button on.</p> <p>To deactivate, press and hold again for 3 seconds. The controls will be enabled as normal.</p>
------	---

Maintenance

Door reversal

⚠ WARNING

- The warranty does not cover reversal failure or property damage occurring due to unapproved agencies.
- Make sure that the refrigerator is disconnected from the power source before reversing the door.
- You must wait for at least an hour after door reversal is complete. This is to prevent any electric shock that could occur.
- Reversing the door must be performed by Samsung-approved servicing personnel at your own expense because this kind of servicing is not covered by the Warranty.

⚠ CAUTION

The door is heavy. Have at least two people work on the door reversal. Otherwise, it may cause a personal injury.

Tools required (not provided)



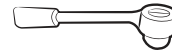
Phillips screwdriver



Flat-head screwdriver



Adjustable wrench



8 mm socket wrench (for bolts)

Accessories

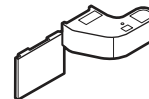
The accessories below may differ in appearance depending on the model.



Top-right door hinge



Top-left door cover



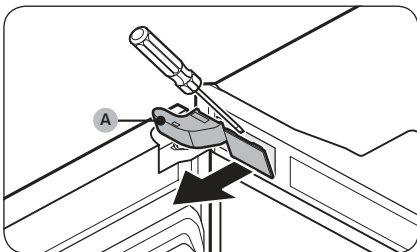
Top-right door hinge cover

⚠ CAUTION

Throughout the entire reversal procedure, keep all the small parts (screws, caps, etc.) of the refrigerator away from children or infants for safety reasons.

Maintenance

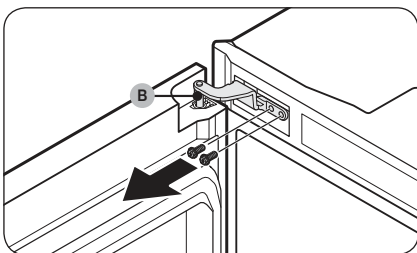
Step-by-step instructions



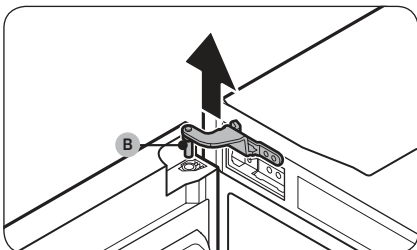
1. Use a flat-head screwdriver to remove the top-left door hinge cover (A).

NOTE

Keep the removed part in a safe place for later use.



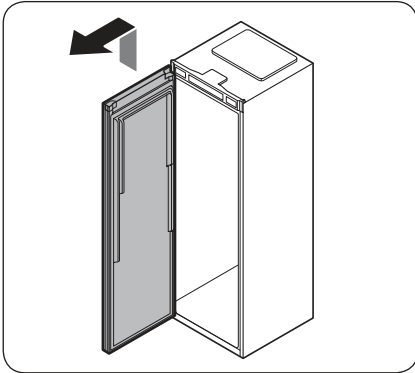
2. Use a socket wrench (8 mm) to remove the screws fastening the top-left door hinge (B).



3. Lift the top-left door hinge (B) to remove it.

NOTE

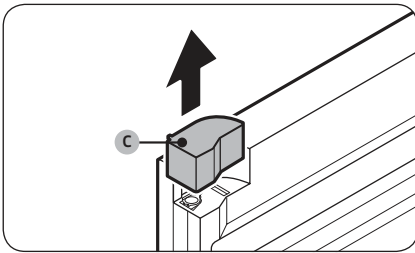
Keep the removed part in a safe place for later use.



4. Lift the door to remove it from the bottom hinge.

⚠ CAUTION

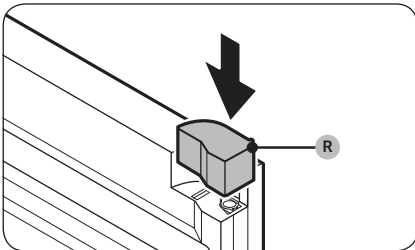
The door is heavy. To prevent damage or injury, use caution while removing the door.



5. Remove the top-right door cover (C) from the door.

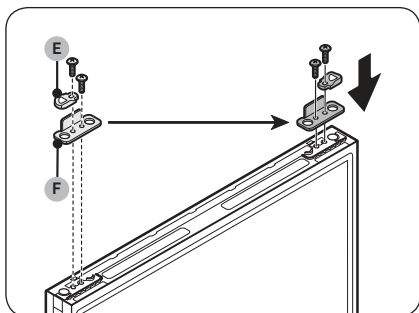
📄 NOTE

Keep the removed part in a safe place for later use.

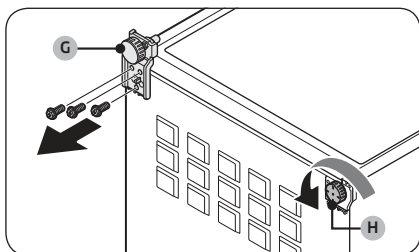


6. Attach the provided top-left door cover (R) to the door.

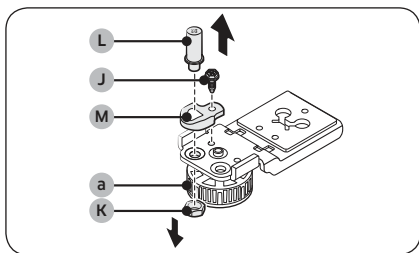
Maintenance



7. On the bottom of the door, remove the **door cam riser (E)** and the **door stopper (F)** in that order.
 - Use a Phillips screwdriver to remove the screw fastening each part.
8. Fasten the **door stopper (F)** and the **door cam riser (E)**, in that order, to the opposite side of the door.
 - Use a Phillips screwdriver to fasten each part with the screw.



9. Carefully lay the refrigerator down.
10. Remove the **bottom hinge (G)**.
 - Use a socket wrench (8 mm) to remove the screws fastening the **bottom hinge (G)**.
11. Turn the **leveling leg (H)** counterclockwise to remove it.

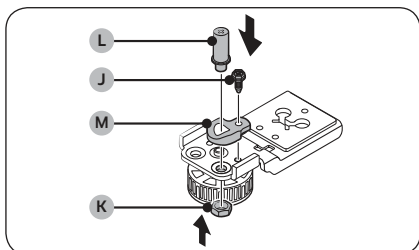


12. Use a socket wrench (8 mm) to remove the **screw (J)**.
13. Use an adjustable wrench to remove the **shaft nut (K)**.

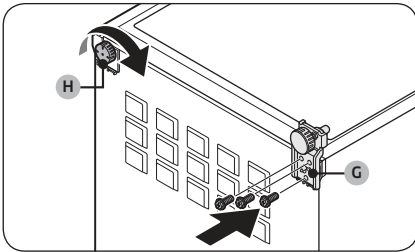
NOTE

Loosen the **leveler (a)** if necessary when removing the **shaft nut (K)**.

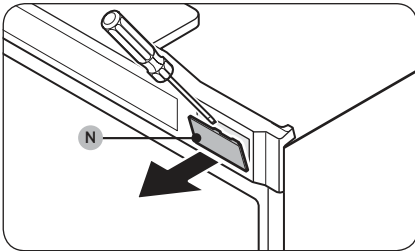
14. Use a Phillips screwdriver to remove the **hinge shaft (L)**.
15. Remove the **hinge cam riser (M)**.



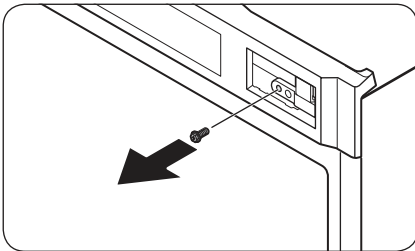
16. Place the **hinge cam riser (M)** on the opposite side of the bottom hinge.
17. Use a Phillips screwdriver to fasten the **hinge shaft (L)**.
18. Use an adjustable wrench to fasten the **shaft nut (K)**.
19. Use a socket wrench (8 mm) to fasten the **screw (J)**.



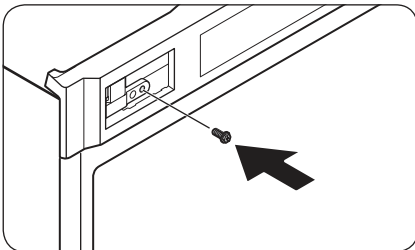
20. Attach the **bottom hinge (G)** to the opposite side.
 - Use a socket wrench (8 mm) to fasten the **bottom hinge (G)** with the screws.
21. Attach the **leveling leg (H)** to the opposite side.
22. Carefully stand the refrigerator back up.



23. Use a flat-head screwdriver to remove the **screw cover (N)**.

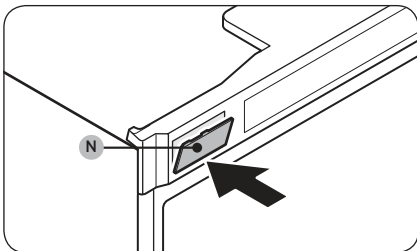


24. Use a Phillips screwdriver to remove the screw.

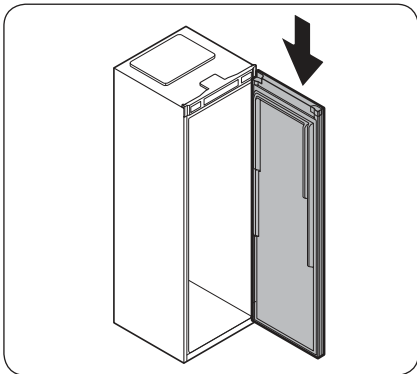


25. Use a Phillips screwdriver to fasten the screw into the hole on the opposite side.

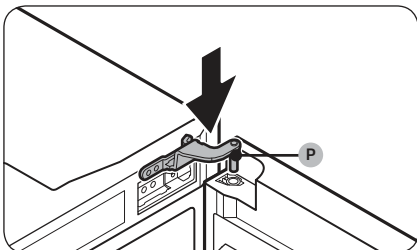
Maintenance



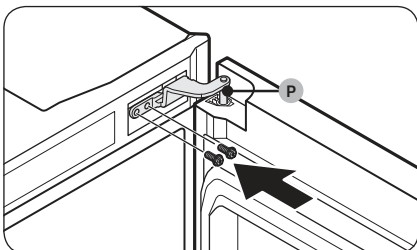
26. Attach the screw cover (N) to the opposite side.



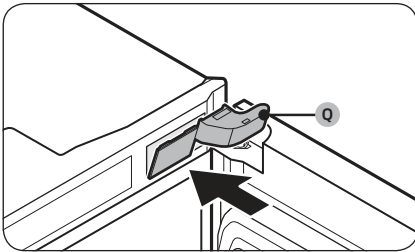
27. Put the door back on the bottom hinge.



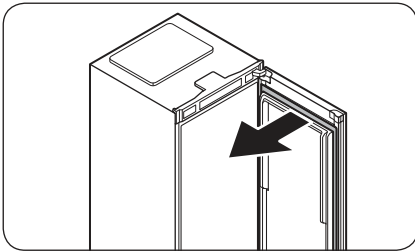
28. Insert the provided top-right door hinge (P) into the door.



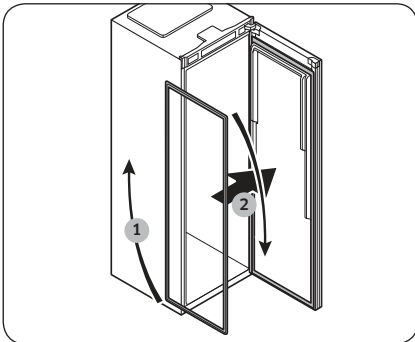
29. Use a socket wrench (8 mm) to fasten the top-right door hinge (P) with the screws.



30. Attach the provided top-right door hinge cover (Q).



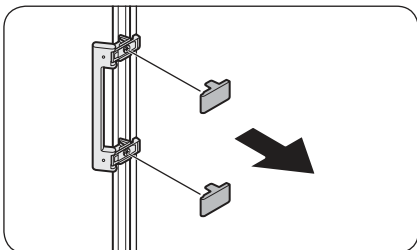
31. Detach the door gasket.



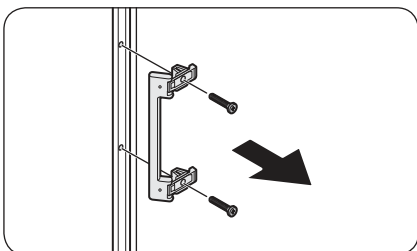
32. Turn the door gasket 180°, and then reattach it to the door.

Maintenance

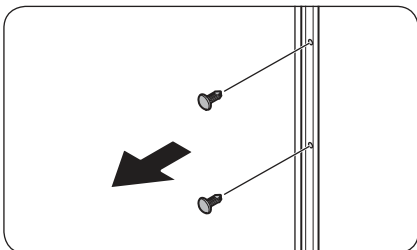
Reversing the door handle position



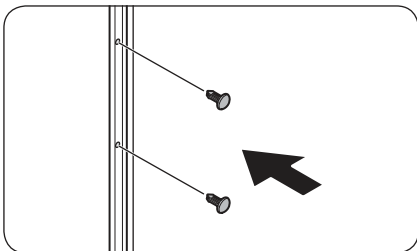
1. Remove the handle covers.



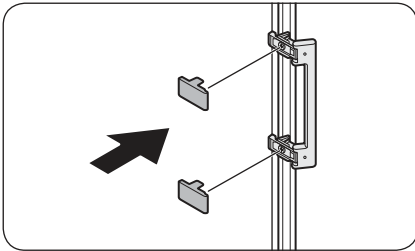
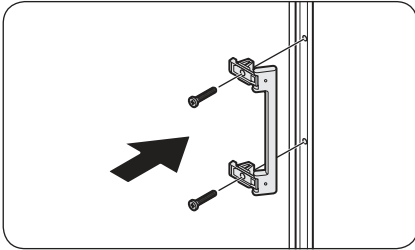
2. Use a Phillips screwdriver to remove the screws and detach the handle.



3. Use a flat-head screwdriver to remove the hole caps from the opposite side of the door.



4. Insert the hole caps into the holes from which you detached the handle.



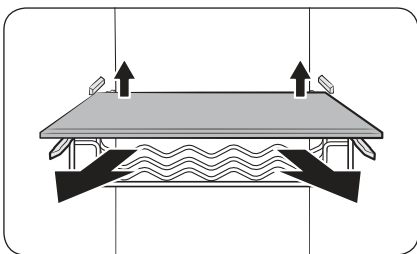
5. Place the handle on the opposite side of the door, aligning the holes on the handle and the door.
6. Use a Phillips screwdriver to attach the handle with the screws.

7. Attach the handle covers.

Maintenance

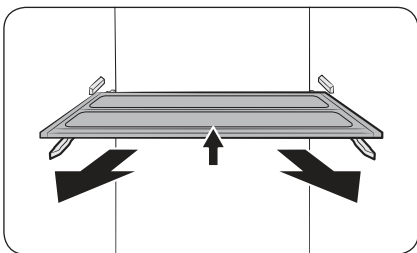
Handle and care

Shelves / Wine Rack (applicable models only)



Slightly lift up the rear side of the shelf (or wine rack) to pull out.

Foldable shelf

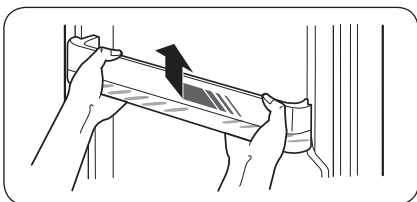


1. Slightly lift up the front side of the shelf to pull out.
2. Twist the shelf diagonally to remove.

⚠ CAUTION

- The shelf must be inserted correctly. Do not insert upside down.
- When reinserting the shelf, make sure to push in the shelf to the end until it fits.
- Glass containers may scratch the surface of glass shelves.

Door bins



Slightly lift up and pull out the door bin.

⚠ CAUTION

To prevent accidents, empty the door bins before removing.

Cleaning

Interior and exterior

 **WARNING**

- Do not use benzene, thinner, or home/car detergent such as Clorox™ for cleaning purposes. They may damage the surface of the refrigerator and cause a fire.
- Do not spray water onto the refrigerator. This may cause an electric shock.

Regularly use a dry cloth to remove all foreign substances such as dust or water from the power plug terminals and contact points.

1. Unplug the power cord.
2. Use a moistened, soft, lint-free cloth or paper towel to clean the refrigerator's interior and exterior.
3. When done, use a dry cloth or paper towel to dry well.
4. Plug in the power cord.

Replacement

LED Lamps

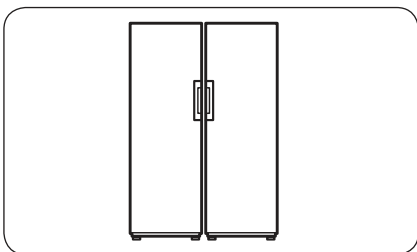
To replace the lamps of the refrigerator, contact a local Samsung service center.

 **WARNING**

- The lamps are not user-serviceable. Do not attempt to replace a lamp yourself. This can cause an electric shock.

Maintenance

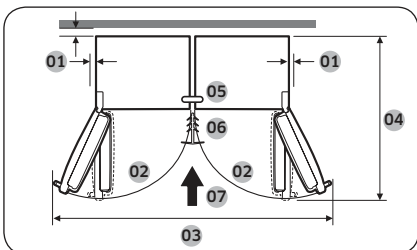
Pair installation



You can install this refrigerator side by side with another Samsung refrigerator if you want. However, this side-by-side installation is only available for models whose name starts with **RZ** or **RR**.

NOTE

Purchase the pair installation kit at a Samsung retail store and you can request an authorized installer for pair installation.



01	more than 50 mm recommended
02	105°
03	1538 mm
04	1194 mm
05	Locker fixer
06	Fixer
07	Install direction

Tools required (not provided)



Phillips screwdriver

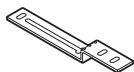


Flat-head screwdriver



8 mm socket wrench (for bolts)

Pair installation kit accessories



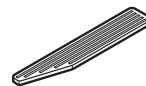
01 Upper bracket
(1)



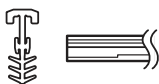
02 7 mm lower
bracket (1)



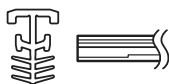
03 15 mm lower
bracket (1)



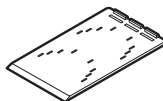
04 Guide rail (6)



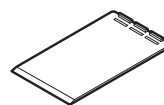
05 7 mm trim (1)



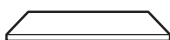
06 15 mm trim (1)



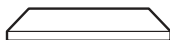
07 A/S Jig-sheet
ref (4)



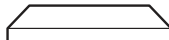
08 Level
adjustment pad
(4)



09 T4 LEX foam (8)



10 T7 LEX foam (8)



11 T10 PE foam (8)



12 M5 x 16 hex
screws (4)



13 M4 x 18 screws
(2)

NOTE

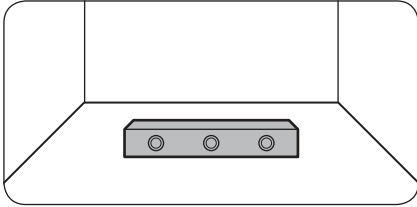
The number in parenthesis refers to the quantity of each accessory.

Maintenance

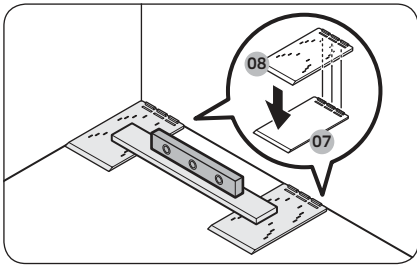
Step-by-step instruction

NOTE

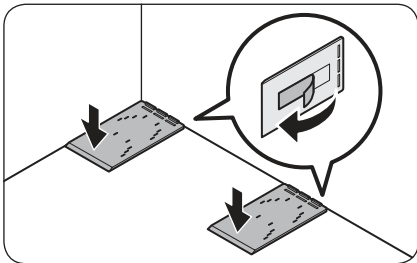
The numbers on the figure and in the parenthesis are the same as those in the accessories list.



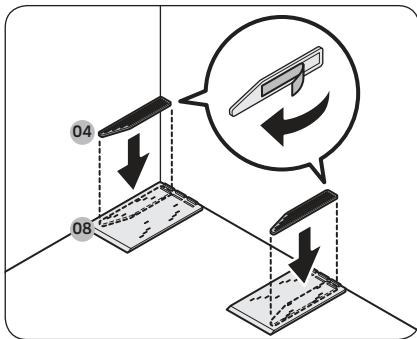
1. Check the level of the floor.
 - Use a level to check the level of the floor where the refrigerator's two rear casters will be placed.



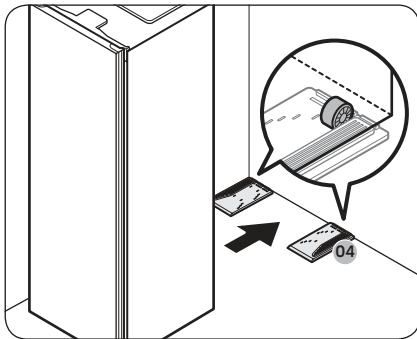
2. Place the A/S jig-sheet refs (08) and check the level.
 - Place the two provided A/S jig-sheet refs (08) on the floor where the refrigerator's two rear casters will be placed, and then check the level.
 - If the floor is not level, put the provided level adjustment pads (07) under the A/S jig-sheet refs (08) so the refrigerator will stand on a level surface.



- Once you sort out all the necessary parts to level, peel off the double-sided tape on the bottom of each part and attach the part in its final position.

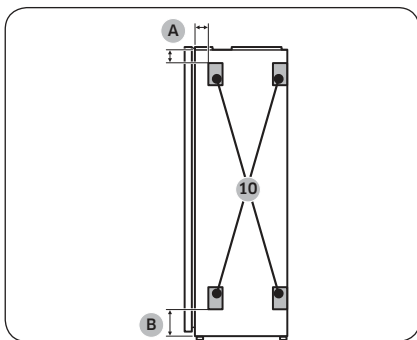


3. Attach the **guide rails (04)**.
 - Align the **guide rail (04)** with the outermost imprints on the **A/S jig-sheet ref (08)**. Then, peel off the double-sided tape on the **guide rail (04)** and attach it to the **A/S jig-sheet ref (08)**.
 - Make sure you do this step on both the left and right sides.



NOTE

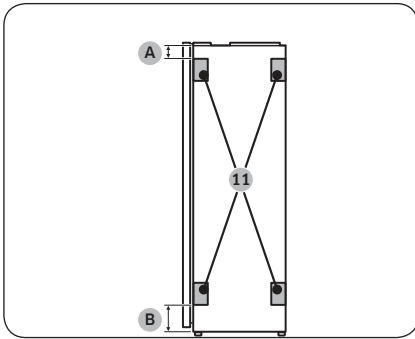
The **guide rail (04)** helps to position the refrigerator in the intended spot.



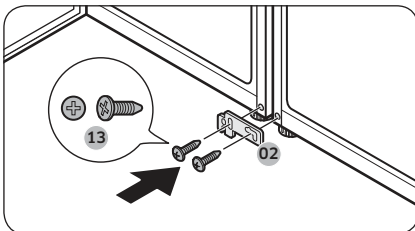
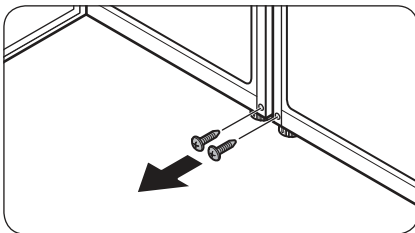
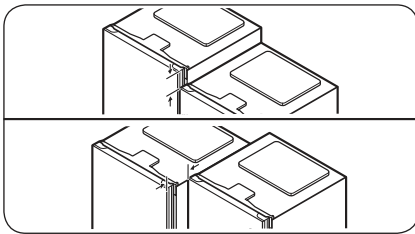
A: 50 mm
B: 100 mm

4. Attach the **T7 LEX foam (10)**.
 - Attach the four **T7 LEX foam (10)** pieces to maintain a gap between the two refrigerators.
 - Attach the four foam pieces on the side of one refrigerator which is adjacent to the other refrigerator.
 - See the figure for the position of the foam.

Maintenance



A: 50 mm
B: 100 mm



5. Attach the T10 PE foam (11).
 - Attach the four T10 PE foam (11) pieces to maintain a gap between the refrigerator and the cabinet.
 - Attach four foam pieces on each side of the refrigerator which is adjacent to a cabinet.
 - See the figure for the position of the foam.

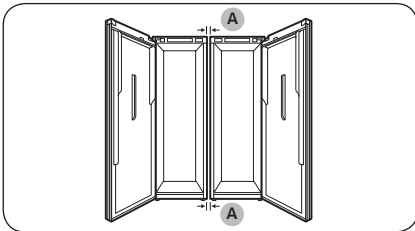
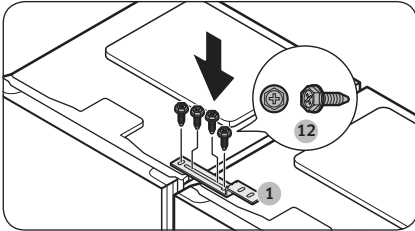
NOTE

If you do not attach the foam, scratches may occur if you push the refrigerator into the cabinet.

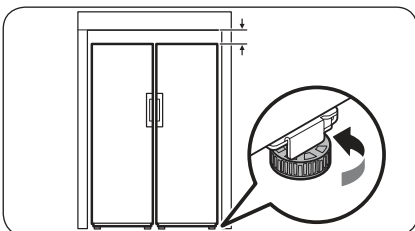
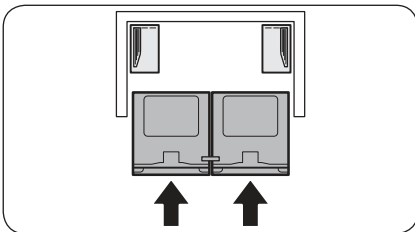
6. Align the two refrigerators.
 - Check the alignment at the top and front of the refrigerators and realign them if necessary.

7. Remove the screws from the two holes where the lower bracket will be fastened to.
 - Open the door of the refrigerators to be paired, and then remove the screws located where the lower bracket will be fastened.

8. Fasten the 7 mm lower bracket (02).
 - Fasten the 7 mm lower bracket (02) with the two M4 x 18 screws (13) (one fastened to each refrigerator) to secure the lower parts of the refrigerators.



A: 7 mm



9. Fasten the **upper bracket (1)**.
 - Fasten the **upper bracket (1)** with the four **M5 x L16 hex screws (12)** to secure the top part of the refrigerators.

NOTE

Align the tops of the refrigerators before fastening the upper bracket.

10. Check the spacing between the refrigerators.
 - After fastening the upper and lower brackets, make sure the spacing between the refrigerators is 7 mm at the top and bottom.

NOTE

If the spacing between the refrigerators is greater than 7 mm, there may be less room between the refrigerator and the cabinet, and this may interfere when opening the doors.

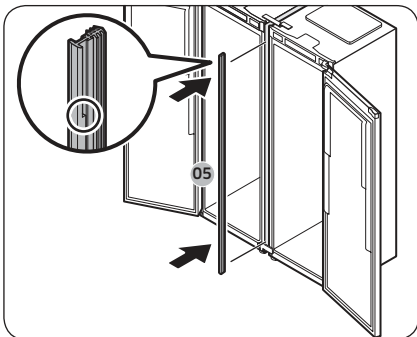
11. Push the refrigerators into the cabinet.
 - Have two people simultaneously push the refrigerators, fixed with brackets, into the cabinet.

NOTE

If the two people do not push the refrigerators evenly, the rear parts of the refrigerators may spread out or may deviate from their intended spot.

12. Adjust the height of the refrigerators.
 - Turn the leveling leg right or left to adjust the height of the refrigerators to be flush with the cabinet.

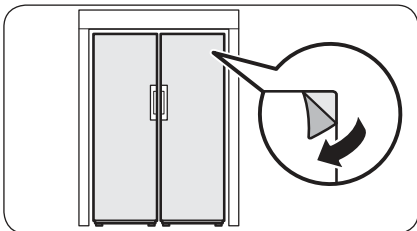
Maintenance



- 13.** Insert the 7 mm trim (05) between the refrigerators.
- Open the doors and insert the 7 mm trim (05) between the refrigerators.

NOTE

See the enlarged part of the trim in the figure to identify the trim's top side.



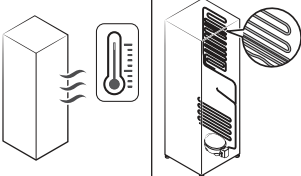
- 14.** Do a final check.
- If there are no problems, peel all the protective film off the product.

Troubleshooting

Before calling for service, review the checkpoints below. Any service calls regarding normal situations (No Defect Cases) will be charged to users.

General

Temperature

Symptom	Possible causes	Solution
The fridge does not operate. The fridge temperature is warm.	<ul style="list-style-type: none"> The power cord is not plugged in properly. 	<ul style="list-style-type: none"> Properly plug in the power cord.
	<ul style="list-style-type: none"> Temperature control is not set correctly. 	<ul style="list-style-type: none"> Set the temperature lower.
	<ul style="list-style-type: none"> The refrigerator is located near a heat source or direct sunlight. 	<ul style="list-style-type: none"> Keep the refrigerator away from direct sunlight or a heat source.
	<ul style="list-style-type: none"> Not enough clearance between refrigerator and sides/rear. 	<ul style="list-style-type: none"> We recommend that the gap between the refrigerator and nearby walls (or cabinets) is more than 50 mm.
	<ul style="list-style-type: none"> The Vacation mode is activated. 	<ul style="list-style-type: none"> Deactivate the Vacation mode.
	<ul style="list-style-type: none"> The refrigerator is overloaded. Food is blocking the refrigerator vents. 	<ul style="list-style-type: none"> Do not overload the refrigerator. Do not allow food to block ventilation.
The fridge is over-cooling.	<ul style="list-style-type: none"> Temperature control is not set correctly. 	<ul style="list-style-type: none"> Set the temperature higher.
The interior wall is hot.	<ul style="list-style-type: none"> The refrigerator has heat-proof piping in the interior wall. 	<ul style="list-style-type: none"> To prevent condensation from forming, the refrigerator has heat-proof piping in the front corners. If the ambient temperature rises, this equipment may not work effectively. This is not a system failure. 

Troubleshooting

Odors

Symptom	Possible causes	Solution
The refrigerator has odors.	• Spoiled food.	• Clean the refrigerator and remove any spoiled food.
	• Food with strong odors.	• Make sure strong smelling food is wrapped airtight.

Condensation

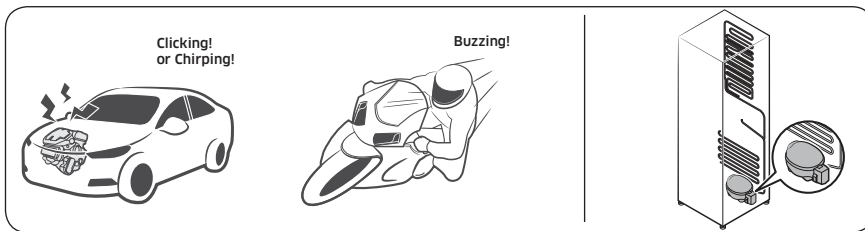
Symptom	Possible causes	Solution
Condensation forms on the interior walls.	• If the door is left open, moisture enters the refrigerator.	• Remove the moisture and do not open the door for a long time.
	• Food with high moisture content.	• Make sure food is wrapped airtight.

Do you hear abnormal sounds from the refrigerator?

Before calling for service, review the checkpoints below. Any service calls related to normal sounds will be charged to the user.

These sounds are normal.

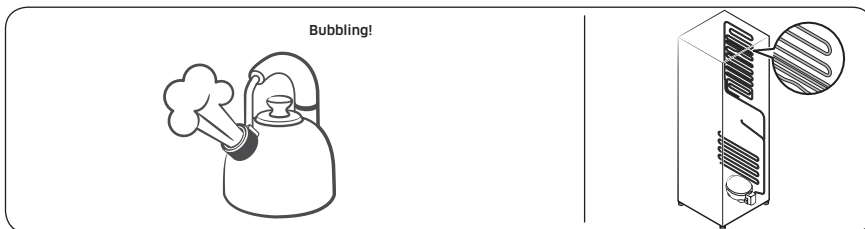
- When starting or ending an operation, the refrigerator may make sounds similar to a car engine igniting. As the operation stabilizes, the sounds will decrease.



- While the fan is operating, these sounds may occur. When the refrigerator reaches the set temperature, no fan sound will occur.

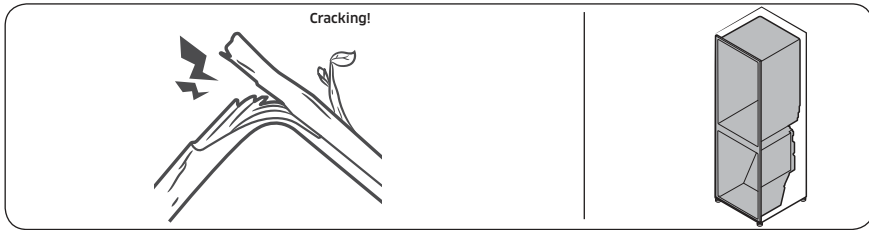


- As the refrigerator cools, refrigerant gas moves through sealed pipes, causing bubbling sounds.



Troubleshooting

- As the refrigerator temperature increases or decreases, plastic parts contract and expand, creating knocking noises. These noises occur during the defrosting cycle or when electronic parts are working.



- For ice maker models: When the water valve opens to fill the ice maker, buzzing sounds may occur.
- Due to pressure equalizing when opening and closing the refrigerator door, whooshing sounds may occur.

Memo

Contact SAMSUNG WORLD WIDE

If you have any questions or comments relating to Samsung products, please contact the SAMSUNG customer care center.

Country	Contact Center	Web Site
ARGENTINA	0800-555-SAMS(7267)	www.samsung.com/ar
URUGUAY	0800-SAMS(7267)	www.samsung.com/uy
PARAGUAY	0800-11-SAMS(7267)	www.samsung.com/py
CHILE	800 726 786	www.samsung.com/cl/support
BOLIVIA	800 107 260	www.samsung.com/cl/support
COLOMBIA	Bogotá en el 600 12 72 Sin costo en todo el país 01 8000 112 112 Y desde tu celular #726	www.samsung.com/co/support
COSTA RICA	00-800-1-SAMSUNG (726-7864)	www.samsung.com/latin/support (Spanish) www.samsung.com/latin_en/support (English)
DOMINICAN REPUBLIC	1-800-751-2676	www.samsung.com/latin/support (Spanish) www.samsung.com/latin_en/support (English)
ECUADOR	1-800-SAMSUN (72-6786)	www.samsung.com/latin/support (Spanish) www.samsung.com/latin_en/support (English)
EL SALVADOR	8000-SAMSUNG (726-7864)	www.samsung.com/latin/support (Spanish) www.samsung.com/latin_en/support (English)
GUATEMALA	1-800-299-0033	www.samsung.com/latin/support (Spanish) www.samsung.com/latin_en/support (English)
HONDURAS	800-2791-9111	www.samsung.com/latin/support (Spanish) www.samsung.com/latin_en/support (English)
JAMAICA	1-800-SAMSUNG (726-7864)	www.samsung.com/latin_en/support (English)
NICARAGUA	001-800-5077267	www.samsung.com/latin/support (Spanish) www.samsung.com/latin_en/support (English)
PANAMA	800-0101	www.samsung.com/latin/support (Spanish) www.samsung.com/latin_en/support (English)
PERU	080077708 Desde teléfonos fijos, públicos o celulares	www.samsung.com/pe/support
PUERTO RICO	1-800-682-3180	www.samsung.com/latin/support (Spanish) www.samsung.com/latin_en/support (English)
TRINIDAD & TOBAGO	1-800-SAMSUNG(726-7864)	www.samsung.com/latin/support (Spanish) www.samsung.com/latin_en/support (English)
VENEZUELA	0-800-100-5303	www.samsung.com/latin/support (Spanish) www.samsung.com/latin_en/support (English)



DA68-03560X-02



Refrigerador

Manual del usuario
(sólo del refrigerador)

RR39*

Electrodoméstico independiente

SAMSUNG

Contenido

Información sobre seguridad	3
Símbolos y advertencias de seguridad importantes:	7
Señales de advertencia importantes para el transporte y el emplazamiento	8
Advertencias muy importantes para la instalación	8
Precauciones para la instalación	13
Advertencias muy importantes para el uso	13
Advertencia de uso	19
Precauciones de uso	19
Precauciones para la limpieza	21
Advertencias muy importantes para la eliminación de residuos	22
Recomendaciones adicionales para el uso adecuado	24
Recomendaciones para el ahorro de energía	25
Este electrodoméstico está diseñado para uso doméstico y en lugares como	25
Instrucciones acerca de WEEE	26
Instalación	27
Descripción breve del refrigerador	27
Instalación paso a paso	28
Funcionamiento	33
Panel de funciones	33
Mantenimiento	35
Inversión de la puerta	35
Manipulación y cuidado	44
Limpieza	45
Reemplazo	45
Instalación en par	46
Solución de problemas	53
General	53
¿Se oyen ruidos anómalos procedentes del refrigerador?	55

Información sobre seguridad

- Antes de utilizar su nuevo refrigerador Samsung, lea detenidamente este manual a fin de aprender a usar las funciones que ofrece de manera segura y eficiente.
- Este electrodoméstico no debe ser utilizado por personas (incluidos niños) con capacidades mentales, sensoriales o físicas reducidas o por personas que carezcan de experiencia y conocimientos, a menos que se encuentren bajo la supervisión o hayan recibido instrucciones de un responsable de su seguridad sobre el uso del refrigerador.
- Este aparato puede ser utilizado por niños mayores de 8 años y personas con capacidades físicas, sensoriales o mentales reducidas, o faltas de conocimiento y experiencia, con la vigilancia adecuada o si han recibido la formación pertinente respecto del uso seguro del aparato y a sabiendas de los peligros que pueden tener. No deje que los niños jueguen con el aparato. Los niños no deben efectuar tareas de limpieza ni de mantenimiento sin vigilancia. Los niños de entre 3 y 8 años pueden cargar y descargar el refrigerador.
- Las Instrucciones y Advertencias de Seguridad Importantes en este manual no cubren todas las condiciones y situaciones posibles que podrían ocurrir.
Es su responsabilidad utilizar sentido común, precaución y cuidado para la instalación, mantenimiento y operación del electrodoméstico.

Información sobre seguridad

- Debido a que las siguientes instrucciones operativas abarcan diversos modelos, las características de su refrigerador pueden diferir levemente de aquellas descritas en este manual y no todas las señales de advertencia pueden ser aplicables. Si tiene una consulta o inquietud, deberá contactar al centro de servicios más cercano u obtener ayuda e información en el sitio www.samsung.com.
- Para evitar la creación de una mezcla de gas-aire inflamable en caso de una pérdida en el circuito del refrigerante, el tamaño del lugar en el que se coloca el refrigerador depende de la cantidad de refrigerante utilizado.
- Nunca debe poner en marcha un electrodoméstico que presente signos de haber sido dañado. Si tiene alguna inquietud, consulte a su distribuidor. El lugar debe tener 1 m³ por cada 8 g de refrigerante R-600a en el electrodoméstico. La cantidad de refrigerante específica de su electrodoméstico consta en la placa de identificación que se encuentra en el interior.
- Si el refrigerante sale por los tubos, este podría incendiarse o dañar los ojos. Si hay pérdida de refrigerante del tubo, manténgalo alejado de las llamas, aparte cualquier material inflamable del producto y ventile la habitación inmediatamente.
 - No seguir esta recomendación puede causar riesgos de incendio o explosión.

- Es peligroso que una persona que no sea un técnico de servicio autorizado realice tareas de reparación en este aparato.
- No almacene sustancias explosivas como latas de aerosoles con gases propelentes inflamables en este electrodoméstico.
- Para evitar la contaminación de los alimentos, por favor siga las siguientes instrucciones:
 - Mantener la puerta abierta por largo períodos de tiempo puede generar un incremento significativo de la temperatura en los compartimentos del electrodoméstico.
 - Limpie regularmente las superficies que puedan estar en contacto con los alimentos y con los sistemas de drenaje accesibles.
 - Limpie los tanques de agua si no fueron utilizados por 48 horas; haga correr el sistema de agua conectado al suministro de agua si no se extrajo agua por 5 días.
 - Almacene carnes y pescado crudos en contenedores apropiados en el refrigerador, así no está en contacto con o gotea sobre otros alimentos.
 - Los compartimentos para alimentos congelados de dos estrellas son apropiados para almacenar alimentos pre congelados, almacenar o fabricar helados y fabricar cubos de hielo.
 - Los compartimentos de una, dos y tres estrellas no son apropiados para congelar alimentos frescos.

Información sobre seguridad

- Si el refrigerador se deja vacío por largos períodos de tiempos, apáguelo, descongele, limpie, seque y deje la puerta abierta para evitar que se desarrolle moho dentro del electrodoméstico.



Advertencia: riesgo de incendio/materiales inflamables

Símbolos y advertencias de seguridad importantes:

Sírvase seguir todas las instrucciones de seguridad del presente manual. En el presente manual se utilizan los siguientes símbolos de seguridad.

ADVERTENCIA

Riesgos o prácticas inseguras que pueden causar **graves lesiones personales, daños a la propiedad y/o incluso la muerte.**

PRECAUCIÓN

Riesgos o prácticas inseguras que pueden causar **lesiones personales leves y/o daños materiales.**

NOTA

Información útil que ayuda a los usuarios a comprender u obtener beneficios del refrigerador.

Estas señales de advertencia se incluyen aquí para evitar que usted o terceros sufran lesiones.

Sígalas atentamente.

Después de leer esta sección, consérvela en un lugar seguro para referencia futura.

Información sobre seguridad

Señales de advertencia importantes para el transporte y el emplazamiento

ADVERTENCIA

- Al transportar e instalar el electrodoméstico deberá tener cuidado de no dañar ninguna de las piezas del circuito del refrigerante.
 - La pérdida de refrigerante del tubo podría incendiarse o dañar los ojos. Si se detecta una fuga, manténgalo alejado de las llamas o de posibles fuentes de inflamación y ventile durante varios minutos el ambiente en el que se encuentra la unidad.
 - El electrodoméstico contiene una pequeña cantidad de refrigerante de isobutano (R-600a), un gas natural con alta compatibilidad ambiental que, no obstante, también es combustible. Al transportar e instalar el electrodoméstico deberá tener cuidado de no dañar ninguna de las piezas del circuito del refrigerante.

Advertencias muy importantes para la instalación

ADVERTENCIA

- No instale el refrigerador en un lugar húmedo o donde pueda entrar en contacto con agua.
 - El aislamiento deficiente de las piezas eléctricas puede provocar una descarga eléctrica o un incendio.
- No exponga este refrigerador a la luz solar directa ni al calor de estufas, calefactores u otros electrodomésticos.

- No enchufe varios electrodomésticos en la misma toma múltiple. El refrigerador debe conectarse siempre a un tomacorriente individual cuyo voltaje nominal coincida con el que se especifica en la placa de voltaje del refrigerador.
 - Así se obtiene el mejor desempeño y también se evita que se sobrecarguen los circuitos del cableado de la casa, lo cual podría provocar un riesgo de incendio a causa del recalentamiento de los cables.
- Si el tomacorriente está flojo, no conecte el enchufe.
 - Existe el riesgo de que se produzca una descarga eléctrica o un incendio.
- No utilice un cable de alimentación que esté dañado o gastado en su extensión o en cualquiera de los extremos.
- No doble excesivamente el cable de alimentación ni coloque objetos pesados sobre él.
- No tire del cable de alimentación ni lo doble excesivamente.
- No retuerza ni amarre el cable de alimentación.
- No coloque el cable de alimentación sobre un objeto metálico; no coloque sobre él ningún objeto pesado; no lo coloque entre objetos ni lo empuje hacia el espacio que hay detrás del electrodoméstico.
- Al mover el refrigerador, tenga cuidado de no enroscar ni dañar el cable de alimentación.
 - Esto podría causar una descarga eléctrica o un incendio.
- Nunca desenchufe el refrigerador jalando el cable de alimentación. Siempre sostenga el enchufe con firmeza y jale para extraerlo del tomacorriente.
 - Los daños al cable pueden provocar un cortocircuito, un incendio o una descarga eléctrica.

Información sobre seguridad

- No almacene sustancias explosivas como latas de aerosoles con gases propelentes inflamables en este electrodoméstico.
- No instale este electrodoméstico cerca de calefactores o materiales inflamables.
- No instale este electrodoméstico en un lugar donde pueda haber fugas de gas.
 - Esto podría causar una descarga eléctrica o un incendio.
- Antes de usarse, el refrigerador debe ubicarse e instalarse de manera apropiada de acuerdo con las instrucciones de este manual.
- Conecte el enchufe en la posición correcta con el cable colgando hacia abajo.
 - Si conecta el enchufe al revés, el cable puede cortarse y provocar un incendio o una descarga eléctrica.
- Asegúrese de que el enchufe no esté aplastado ni haya sido dañado por la parte posterior del refrigerador.
- Mantenga los materiales de empaque fuera del alcance de los niños.
 - Existe el riesgo de muerte por asfixia si un niño se coloca los materiales de empaque en la cabeza.
- El electrodoméstico debe colocarse de manera tal que se pueda acceder al enchufe después de la instalación.
 - No seguir esta recomendación puede causar una descarga eléctrica o un incendio debido a una fuga de electricidad.

- No instale este electrodoméstico en un lugar húmedo, engrasado o sucio, ni en una ubicación expuesta directamente a la luz del sol o al agua (lluvia).
 - El aislamiento deteriorado de las piezas eléctricas puede provocar una descarga eléctrica o un incendio.
- Si el refrigerador tiene polvo o agua, desenchúfelo y comuníquese con el Centro de Servicio de Samsung Electronics.
 - Si no lo hace, existe el riesgo de que se produzca un incendio.
- No se pare sobre el electrodoméstico ni le coloque objetos encima (tales como ropa, velas o cigarrillos encendidos, platos, productos químicos, objetos metálicos, etc.).
 - Esto podría causar una descarga eléctrica, un incendio, problemas con el producto o lesiones.
- Es necesario quitar toda la película plástica protectora antes de enchufar el producto por primera vez.
- Se deberá vigilar a los niños para asegurarse de que no jueguen con los anillos elásticos utilizados para el ajuste de la puerta o con las grapas del tubo de agua.
 - Existe riesgo de muerte por asfixia si un niño se traga un anillo elástico o una grapa del tubo de agua. Mantenga los anillos elásticos y las grapas del tubo de agua fuera del alcance de los niños.
- El refrigerador debe estar conectado a tierra de manera segura.
 - Siempre asegúrese de haber conectado el refrigerador a tierra antes de intentar examinar o reparar alguna pieza. Las fugas de energía pueden provocar una descarga eléctrica grave.

Información sobre seguridad

- Nunca utilice como conexión a tierra tubos de gas, líneas telefónicas ni otras posibles fuentes de atracción de rayos.
 - El refrigerador debe estar conectado a tierra para evitar cualquier fuga de energía o descarga eléctrica provocada por fugas de corriente del refrigerador.
 - Esto podría causar descargas eléctricas, incendios, explosiones o problemas con el producto.
- Conecte bien el enchufe a la toma de pared. No utilice enchufes o cables de alimentación dañados ni enchufes de pared flojos.
 - Esto podría causar una descarga eléctrica o un incendio.
- Si el cable de alimentación está dañado, solicite su reemplazo de inmediato al fabricante o a uno de los agentes de servicio técnico.
- El fusible del refrigerador debe ser reemplazado por un técnico calificado o una compañía de servicios.
 - No seguir esta recomendación, podría causar una descarga eléctrica o lesiones.
- Cuando instale el electrodoméstico, asegúrese de que el cable de alimentación no esté atrapado ni dañado.
- No ubique varias regletas de tomacorrientes portátiles o unidades de alimentación móviles en la parte trasera del electrodoméstico.

Precauciones para la instalación

PRECAUCIÓN

- Deje espacio suficiente alrededor del refrigerador e instálelo sobre una superficie plana.
 - Mantenga libre de obstáculos el espacio de ventilación en el gabinete o la estructura de montaje del electrodoméstico.
- Antes de cargar alimentos, el electrodoméstico debe permanecer en posición vertical durante 2 horas después de la instalación y su encendido.
- Recomendamos que el refrigerador sea instalado por un técnico calificado o una compañía de servicios.
 - No seguir esta recomendación puede causar descargas eléctricas, incendios, explosiones, problemas con el producto o lesiones.
- La sobrecarga en una de las puertas puede ocasionar la caída del refrigerador y provocar lesiones personales.

Advertencias muy importantes para el uso

ADVERTENCIA

- No conecte el enchufe en un tomacorriente con las manos mojadas.
 - Esto podría causar una descarga eléctrica.
- No coloque objetos en la parte superior de la unidad.
 - Cada vez que abra o cierre la puerta, estos podrían caerse y provocar lesiones personales o daños materiales.

Información sobre seguridad

- No coloque las manos, los pies ni objetos metálicos (como palillos chinos, etc.) en la parte inferior o posterior del refrigerador.
 - Esto podría causar una descarga eléctrica o lesiones personales.
 - Algunos bordes filosos podrían provocar lesiones personales.
- No coloque un recipiente con agua sobre el refrigerador.
 - Si se derrama, existe el riesgo de que se produzca un incendio o una descarga eléctrica.
- No almacene sustancias u objetos volátiles o inflamables (benceno, solvente, gas propano, alcohol, éter, gas LP ni cualquier otro producto de este tipo) en el refrigerador.
 - Este refrigerador se debe utilizar solo para almacenar alimentos.
 - Esto podría causar un incendio o una explosión.
- Se deberá vigilar a los niños para asegurarse de que no jueguen con el electrodoméstico.
 - Aleje los dedos de los puntos de agarre. Los espacios entre las puertas y el gabinete son inevitablemente pequeños. Abra las puertas con cuidado si hay niños cerca.
- No permita que los niños se cuelguen de la puerta ni de los compartimientos de la puerta. Pueden producirse lesiones graves.
- No permita que los niños ingresen al refrigerador. Podrían quedar atrapados.
- No coloque las manos debajo del electrodoméstico.
 - Es posible que algunas puntas filosas le provoquen lesiones.

- No almacene en el refrigerador productos farmacéuticos, materiales científicos ni productos sensibles a la temperatura.
 - No se deben almacenar productos que requieran controles estrictos de temperatura.
- No coloque ni utilice aparatos eléctricos dentro del refrigerador, a menos que sean del tipo recomendado por el fabricante.
- En caso de sentir olor a fármacos o a humo, desconecte el enchufe de inmediato y comuníquese con el Centro de Servicio de Samsung Electronics.
- Si el refrigerador tiene polvo o agua, desenchúfelo y comuníquese con el Centro de Servicio de Samsung Electronics.
 - Si no lo hace, existe el riesgo de que se produzca un incendio.
- No permita que los niños se paren sobre un cajón.
 - El cajón se puede romper y los niños pueden caerse.
- No deje las puertas del refrigerador abiertas si este no está siendo vigilado ni permita que los niños ingresen en él.
- No permita que los bebés ni los niños ingresen en el cajón.
 - Esto puede provocar muerte por asfixia debido al encierro o lesiones personales.
- No sobrecargue el refrigerador con comida.
 - Cuando abra la puerta, algún elemento podría caerse y provocar lesiones personales o daños materiales.

Información sobre seguridad

- No pulverice material volátil, tal como un insecticida, sobre la superficie del electrodoméstico.
 - Además de ser perjudicial para los seres humanos, puede causar una descarga eléctrica, un incendio o problemas con el producto.
- No utilice ni coloque ninguna sustancia sensible a la temperatura, tales como pulverizadores inflamables, objetos inflamables, hielo seco, medicamentos o productos químicos, cerca o dentro del refrigerador.
- No utilice un secador de cabello para secar el interior del refrigerador. No coloque velas encendidas en el refrigerador para quitar los malos olores.
 - Esto podría causar una descarga eléctrica o un incendio.
- No se pare sobre el electrodoméstico ni le coloque objetos encima (tales como ropa, velas o cigarrillos encendidos, platos, productos químicos, objetos metálicos, etc.). Esto podría causar una descarga eléctrica, un incendio, problemas con el producto o lesiones. No coloque un recipiente con agua sobre el electrodoméstico.
 - Si se derrama, existe el riesgo de que se produzca un incendio o una descarga eléctrica.
- No utilice dispositivos mecánicos ni cualquier otro medio para acelerar el proceso de descongelamiento que no sean aquellos recomendados por el fabricante.
- No dañe el circuito del refrigerante.
- No mire fijamente la lámpara LED UV durante mucho tiempo.
 - Los rayos ultravioletas podrían dañarle la visión.

- No coloque el estante del refrigerador al revés. El tope del estante no funcionaría.
 - Si se cae el estante de vidrio puede causar lesiones personales.
- Aleje los dedos de los puntos de agarre. Los espacios entre las puertas y el gabinete son inevitablemente pequeños. Abra las puertas con cuidado si hay niños cerca.
- Si se detecta una fuga de gas, evite las llamas o posibles fuentes de ignición y ventile durante varios minutos la habitación en la que se encuentra el electrodoméstico.
 - No toque el electrodoméstico ni el cable de alimentación.
 - No utilice un ventilador.
 - Una chispa puede provocar una explosión o un incendio.
- Utilice solamente lámparas LED proporcionadas por el fabricante o sus agentes de servicio técnico.
- Las botellas se deben almacenar una junto a otra de manera tal que no se caigan.
- Este producto se debe utilizar solo para almacenar alimentos en un entorno doméstico.
- No intente reparar, desensamblar ni modificar el refrigerador por su cuenta.
 - Las modificaciones que no han sido autorizadas pueden provocar problemas de seguridad. Para revertir una modificación no autorizada, cobraremos el costo completo de las piezas y mano de obra.
- No utilice ningún fusible (tales como los de alambres de acero, de cobre, etc.) que no sea un fusible estándar.

Información sobre seguridad

- Si es necesario reparar o volver a instalar el refrigerador, comuníquese con su Centro de Servicio más cercano.
 - No seguir esta recomendación puede causar una descarga eléctrica, un incendio, problemas con el producto o lesiones.
- Si la lámpara LED interior o exterior se ha apagado, comuníquese con su Centro de Servicio más cercano.
- En caso de sentir olor a quemado o a humo en el refrigerador, desenchúfelo de inmediato y comuníquese con el Centro de Servicio de Samsung Electronics.
 - No seguir esta recomendación podría causar una descarga eléctrica o un incendio.
- Desenchufe el refrigerador antes de cambiar las lámparas internas.
 - Si no lo hace, existe el riesgo de que se produzca una descarga eléctrica.
- Si le resulta difícil cambiar una luz que no sea de LED, comuníquese con un Centro de Servicio de Samsung.
- Si el producto cuenta con lámparas LED, no desensamble las cubiertas de la lámpara y las lámparas LED usted mismo.
 - Comuníquese con un Centro de Servicio de Samsung.
- Conecte bien el enchufe a la toma de pared.
- No utilice enchufes ni cables de alimentación dañados ni un tomacorriente flojo.
 - Esto podría causar una descarga eléctrica o un incendio.

Advertencia de uso

ADVERTENCIA

- Mantenga las aberturas de ventilación del gabinete o estructura incorporada del electrodoméstico libres de obstrucciones.
- No utilice dispositivos mecánicos ni cualquier otro medio para acelerar el proceso de descongelamiento que no sean aquellos recomendados por el fabricante.
- No dañe el circuito del refrigerante.
- No utilice electrodomésticos eléctricos dentro de los compartimientos de almacenamiento de alimentos del electrodoméstico, a menos que sean del tipo recomendado por el fabricante.

Precauciones de uso

PRECAUCIÓN

- Para obtener el mejor desempeño del producto:
 - No coloque alimentos muy cerca de las rejillas de ventilación en la parte posterior del refrigerador, ya que pueden obstruir la libre circulación del aire en el compartimiento del refrigerador.
 - Envuelva los alimentos adecuadamente o colóquelos en recipientes herméticos antes de almacenarlos en el refrigerador.
 - Cumpla con los tiempos máximos de almacenamiento y las fechas de vencimiento de los alimentos congelados.

Información sobre seguridad

- Garantía de servicio y modificación.
 - El servicio de garantía de Samsung no cubre los cambios o las modificaciones realizadas por un tercero a este electrodoméstico; Samsung tampoco es responsable de los problemas relacionados con la seguridad que puedan surgir a causa de modificaciones hechas por terceros.
- No obstruya las rejillas de ventilación dentro del refrigerador.
 - Si las rejillas de ventilación están tapadas, en particular con una bolsa de plástico, el refrigerador se puede sobrecongelar.
- Retire el exceso de humedad del interior del refrigerador y deje las puertas abiertas.
 - De lo contrario, pueden aparecer olores y moho.
- Si se desconecta el refrigerador del suministro de energía, espere al menos cinco minutos antes de volver a enchufarlo.
- Si el refrigerador se moja, desenchúfelo y comuníquese con el Centro de Servicio de Samsung Electronics.
- No golpee ni aplique una fuerza excesiva sobre ninguna superficie de vidrio.
 - Un vidrio roto puede causar lesiones personales o daños materiales.
- Llene el tanque de agua y la charola para el hielo solamente con agua potable (agua de la llave, agua mineral o agua purificada).
 - No llene el tanque con té ni bebidas isotónicas. Esto podría dañar el refrigerador.
- Tenga cuidado de que sus dedos no queden atrapados.

-
- Si el refrigerador está lleno de agua, comuníquese con el Centro de Servicio más cercano.
 - Existe el riesgo de que se produzca una descarga eléctrica o un incendio.

Precauciones para la limpieza

PRECAUCIÓN

- No pulverice con agua directamente dentro o fuera del refrigerador.
 - Existe el riesgo de que se produzca un incendio o una descarga eléctrica.
- No utilice un secador de cabello para secar el interior del refrigerador.
- No coloque velas encendidas en el refrigerador para eliminar los malos olores.
 - Esto podría causar una descarga eléctrica o un incendio.
- Llene el tanque de agua, la charola para el hielo y los cubos de agua solamente con agua potable (agua mineral o agua purificada).
 - No llene el tanque con té, jugos ni bebidas isotónicas ya que podrían dañar el refrigerador.
- No rocíe productos de limpieza directamente sobre el visor.
 - Las letras impresas en el visor pueden borrarse.
- Si cualquier sustancia extraña, tal como agua, ingresa en el refrigerador, desenchúfelo y comuníquese con su Centro de Servicio más cercano.
 - No seguir esta recomendación podría causar una descarga eléctrica o un incendio.

Información sobre seguridad

- Use un paño seco y limpio para retirar cualquier sustancia extraña o polvo de las clavijas del enchufe. No utilice un paño mojado ni húmedo para limpiar el enchufe.
 - De lo contrario, existe el riesgo de que se produzca un incendio o una descarga eléctrica.
- No limpie el refrigerador rociando agua directamente sobre él.
- No utilice benceno, solvente, Clorox ni cloruro para limpiarlo.
 - Pueden dañar la superficie del refrigerador y provocar un incendio.
- Nunca coloque los dedos ni otros objetos en el hueco del dispensador.
 - Esto puede provocar lesiones personales o daños materiales.
- Antes de limpiar o realizar el mantenimiento, desenchufe el refrigerador del enchufe de pared.
 - No seguir esta recomendación podría causar una descarga eléctrica o un incendio.

Advertencias muy importantes para la eliminación de residuos

ADVERTENCIA

- Deseche el material de empaque de este producto de forma tal que no resulte nocivo para el medio ambiente.
- Asegúrese de que ninguno de los tubos que se encuentran en la parte trasera del refrigerador estén dañados antes de desecharlos.

- Se utiliza R-600a o R-134a como refrigerante. Mire la etiqueta del compresor en la parte posterior del electrodoméstico o la etiqueta de voltaje dentro del refrigerador para constatar qué refrigerante utiliza su refrigerador. Si este refrigerador contiene gas inflamable (Refrigerante R-600a), comuníquese con las autoridades locales para desechar este producto en forma segura.
- Cuando deseche este refrigerador, retire los burletes y los pestillos de las puertas de manera tal que los niños pequeños o los animales no puedan quedar atrapados en el interior. Se deberá vigilar a los niños para asegurarse de que no jueguen con el electrodoméstico. Si queda atrapado dentro, un niño puede lesionarse o asfixiarse hasta morir.
 - Si queda atrapado dentro, el niño puede resultar herido y asfixiarse hasta morir.
- Se utiliza ciclopentano como aislante. Los gases del material de aislamiento requieren un procedimiento especial para desecharlos. Comuníquese con las autoridades locales para desechar este producto de manera que no resulte nocivo para el medio ambiente.
- Mantenga los materiales de empaque fuera del alcance de los niños, ya que pueden ser peligrosos para ellos.
 - Si un niño se coloca una bolsa en la cabeza, puede asfixiarse.

Información sobre seguridad

Recomendaciones adicionales para el uso adecuado

- En caso de un corte de energía, comuníquese con la oficina local de su compañía de electricidad y pregunte cuánto tiempo durará el corte.
 - La mayoría de los cortes de energía que se solucionan dentro del lapso de una o dos horas, no afectan las temperaturas del refrigerador. Sin embargo, deberá abrir la puerta la menor cantidad de veces posible.
 - Si el corte de energía dura más de 24 horas, deberá retirar y desechar toda la comida almacenada.
- El refrigerador puede no funcionar de manera uniforme si se lo coloca durante un tiempo prolongado en un sitio donde la temperatura del ambiente esté constantemente por debajo de las temperaturas para las que está diseñado el electrodoméstico.
- Algunos alimentos especiales, debido a sus características, pueden conservarse mal durante la refrigeración.
- El refrigerador es “no frost”, lo que significa que no es necesario descongelarlo manualmente. Esto se hará de forma automática.
- El aumento de la temperatura durante el descongelamiento cumple con los requerimientos ISO. Si desea evitar un aumento excesivo en la temperatura de los alimentos almacenados mientras descongela el electrodoméstico, envuelva los alimentos almacenados con varias capas de papel de periódico.

Recomendaciones para el ahorro de energía

- Instale el electrodoméstico en un ambiente fresco y seco con la ventilación adecuada. Asegúrese de que no esté expuesto a la luz solar directa y nunca lo coloque cerca de una fuente de calor directa (por ejemplo, un radiador).
- Se recomienda no bloquear las ventilaciones ni las rejillas para una mayor eficiencia energética.
- Deje enfriar los alimentos calientes antes de colocarlos en el electrodoméstico.
- No mantenga la puerta del refrigerador abierta durante mucho tiempo cuando coloque o retire alimentos.
- Se recomienda instalar el refrigerador dejando un espacio libre por la parte trasera y los laterales. Esto ayudará a reducir el consumo de energía y mantener bajo el gasto de las facturas de energía.
- Para un uso más eficiente de la energía, conserve todos los accesorios internos, como cestas, cajones, estantes, en la misma posición en la que los suministró el fabricante.

Este electrodoméstico está diseñado para uso doméstico y en lugares como

- zonas de cocina de tiendas, oficinas y otros entornos de trabajo
- granjas y zonas de uso de los clientes en hoteles, moteles u otros entornos de tipo residencial
- hospederías;
- banqueterías y eventos en instalaciones no minorista similares

Información sobre seguridad

Instrucciones acerca de WEEE



Disposición correcta de este producto (Residuos de Aparatos Eléctricos y Electrónicos - WEEE por sus siglas en inglés)

(Corresponde a países con sistemas de recolección separados)

Las marcas en el producto, los accesorios o las indicaciones reflejan que el producto y sus accesorios electrónicos (por ejemplo cargador, audífonos, cable USB) no deberían desecharse con otros elementos del hogar al fin de su vida útil. Para evitar posibles daños al ambiente o a la salud debido al desecho sin control de los desperdicios, deberán separarse esos elementos de otro tipo de desperdicios y reciclarlos en forma responsable a fin de promover la reutilización sostenible de los recursos materiales.

Los usuarios particulares deberían contactar al comerciante minorista donde adquirieron el producto, o a la oficina pública local, para obtener información sobre dónde y cómo llevar estos artículos en forma segura desde el punto de vista ambiental para su reciclado.

Los usuarios comerciales deben contactar a su proveedor y verificar las condiciones y términos en el contrato de compra. Este producto y sus accesorios electrónicos no deben mezclarse con otros desperdicios comerciales.

Para obtener información sobre los compromisos ambientales de Samsung y las obligaciones reglamentarias del producto, como REACH, WEEE o baterías, visite nuestra página de sustentabilidad disponible en www.samsung.com

(Para productos vendidos en países europeos y en RU únicamente)

Instalación

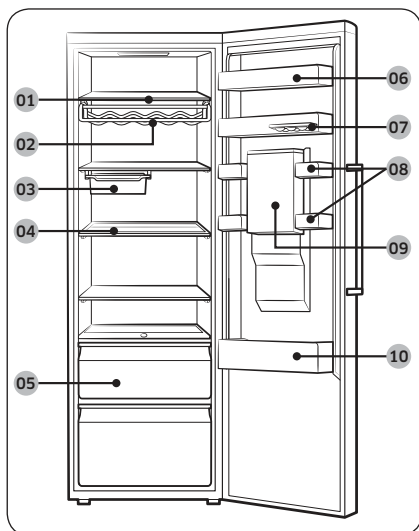
Siga las instrucciones cuidadosamente a fin de garantizar la instalación adecuada del refrigerador y de evitar accidentes antes de utilizarlo.

⚠ ADVERTENCIA

- Utilice el refrigerador solamente para su uso previsto como se describe en este manual.
- Todas las reparaciones deben estar a cargo de un técnico calificado.
- Descarte el material de empaque del producto de acuerdo con la normativa local.
- A fin de evitar descargas eléctricas, desenchufe el cable de alimentación antes de realizar trabajos de mantenimiento o reemplazo de piezas.

Descripción breve del refrigerador

La imagen real y los provistos del refrigerador pueden diferir, dependiendo del modelo y del país.



- 01 Estantes del refrigerador
- 02 Estante para vinos *
- 03 Charola móvil *
- 04 Estante plegable *
- 05 Cajones para vegetales
- 06 Compartimiento de lácteos
- 07 Huevera removible
- 08 Compartimiento multiuso
- 09 Tanque de agua *
- 10 Compartimiento de bebidas

* Solo para los modelos correspondientes

📖 NOTA

- Para una mayor eficiencia energética, asegúrese de que todos los estantes, cajones y canastos estén colocados en su posición original.
- Mantenga los alimentos blandos, como el queso, en el compartimiento multiuso. Almacene las bebidas en botellas en el compartimiento de bebidas.

Instalación

Instalación paso a paso

PASO 1 Seleccione un lugar

Requisitos del lugar:

- Una superficie sólida, nivelada sin alfombrado ni pisos que puedan obstruir la ventilación
- Alejado de la luz solar directa
- Espacio suficiente para abrir y cerrar la puerta
- Alejado de las fuentes de calor
- Espacio para realizar mantenimiento y reparaciones
- Rango de temperatura: entre 10 °C y 43 °C

Rango de temperatura efectiva

El refrigerador está diseñado para funcionar normalmente dentro del rango especificado en su calificación de clase.

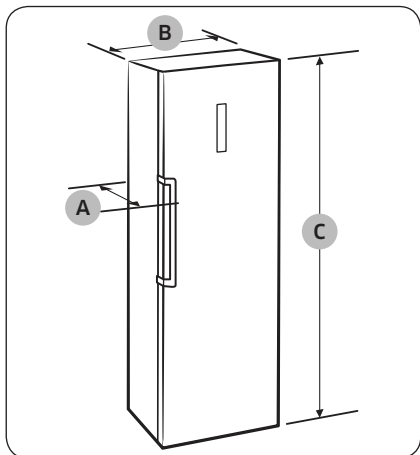
Clase	Símbolo	Rango de temperatura ambiente (°C)	
		IEC 62552 (ISO 15502)	ISO 8561
Templado extendido	SN	+10 a +32	+10 a +32
Templado	N	+16 a +32	+16 a +32
Subtropical	ST	+16 a +38	+18 a +38
Tropical	T	+16 a +43	+18 a +43

NOTA

El desempeño de enfriamiento y consumo de energía del refrigerador puede verse afectado por la temperatura ambiente, la frecuencia de la apertura de la puerta y la ubicación del refrigerador. Recomendamos ajustar los parámetros de temperatura según corresponda.

Espacio libre

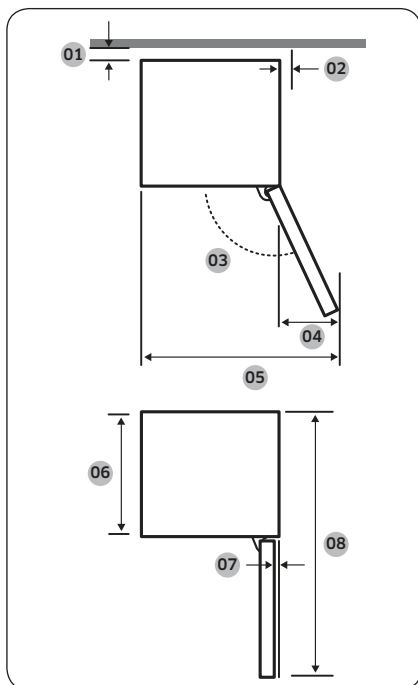
Consulte las siguientes cifras y tablas para conocer los requisitos de espacio para la instalación.



Profundidad "A"	688
Ancho "B"	595
Altura total "C"	1853

(unidad: mm)

Instalación



01	se recomienda más de 50 mm
02	se recomienda más de 12 mm
03	105°
04	175.5
05	765.5
06	575
07	2.5
08	1194

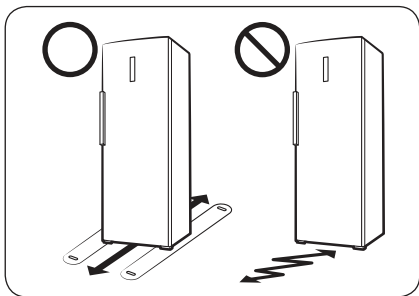
(unidad: mm)

Instalación

NOTA

Las medidas de la tabla anterior pueden variar, dependiendo del método de medición.

PASO 2 Piso



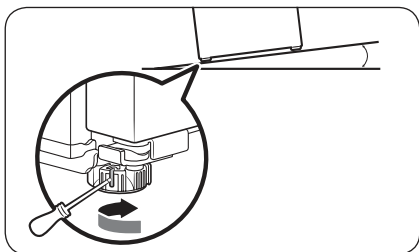
- La superficie sobre la que se instalará el refrigerador debe soportar un refrigerador completamente cargado.
- A fin de proteger el piso, coloque un trozo de cartón debajo de las patas del refrigerador.
- Una vez que el refrigerador esté en su posición final, no lo mueva a menos que sea necesario a fin de proteger el piso. Si debe hacerlo, utilice un papel grueso o tela, como una alfombra vieja, en el recorrido por el que se lo desplazará.

PASO 3 Ajuste de las patas de nivelación

⚠ PRECAUCIÓN

- El refrigerador debe estar nivelado sobre un piso plano y sólido. De lo contrario, el refrigerador podría dañarse o causar lesiones.
- La nivelación debe realizarse con el refrigerador vacío. Asegúrese de que no queden alimentos dentro del refrigerador.
- Por razones de seguridad, ajuste la parte delantera de manera que quede más elevada que la parte trasera.

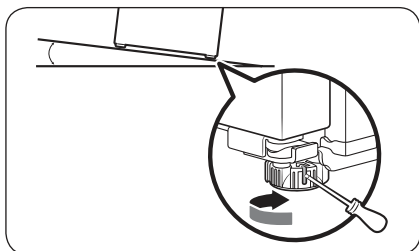
El refrigerador puede nivelarse utilizando las patas delanteras que cuentan con un tornillo especial (nivelador) para realizar la nivelación. Utilice un destornillador plano para realizar la nivelación.



Para ajustar la altura del lado izquierdo:

Inserte un destornillador plano en el nivelador de la pata delantera del lado izquierdo. Gire el nivelador en el sentido de las agujas del reloj para elevarlo o en el sentido contrario para bajarlo.

Instalación



Para ajustar la altura del lado derecho:
Inserte un destornillador plano en el nivelador de la pata delantera del lado derecho. Gire el nivelador en el sentido de las agujas del reloj para elevarlo o en el sentido contrario para bajarlo.

PASO 4 Configuración inicial

Al completar los siguientes pasos, el refrigerador quedará en perfectas condiciones de funcionamiento.

1. Retire la espuma PE de las esquinas de los estantes, cuya función es proteger el refrigerador durante el transporte.
2. Enchufe el cable de alimentación al tomacorriente para encender el refrigerador.
3. Abra la puerta y verifique que la luz interna se encienda.
4. Coloque la temperatura en el valor más frío y espere aproximadamente una hora. Luego, el refrigerador comenzará a enfriarse con el motor funcionando adecuadamente.
5. Espere a que el refrigerador llegue a la temperatura configurada. Ahora el refrigerador estará listo para usar.

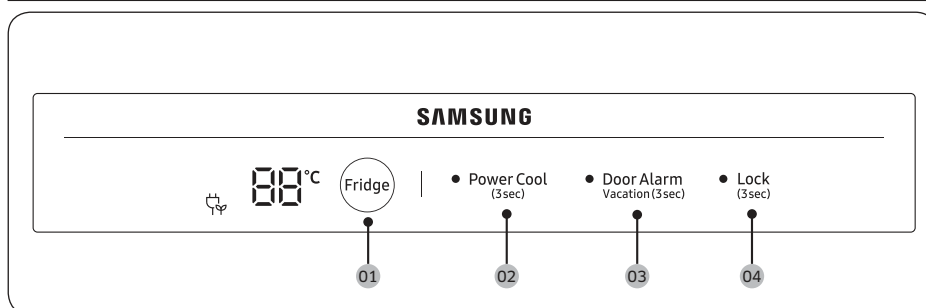
PASO 5 Verificación final

Una vez finalizada la instalación, confirme que:

- El refrigerador esté enchufado al tomacorriente y correctamente conectado a tierra.
- El refrigerador esté instalado sobre una superficie plana y nivelada con un espacio libre razonable con respecto a la pared o el gabinete.
- El refrigerador esté nivelado y apoyado firmemente en el piso.
- La puerta se abre y cierra libremente y la luz interior se enciende automáticamente al abrir la puerta.

Funcionamiento

Panel de funciones



01 Fridge (Refrigerador)

02 Power Cool (Refrigeración rápida)

03 Door Alarm (Alarma de la puerta) /
Vacation (Vacaciones)

04 Lock (Bloqueo)

01 Refrigerador

Fridge (Refrigerador)	Para ajustar la temperatura del congelador, presione Fridge (Refrigerador) para seleccionar la temperatura correspondiente. Puede modificar la temperatura entre 1 °C y 7 °C (Valor predeterminado: 3 °C).
--------------------------	--

02 Refrigeración rápida (3 segundos)

Power Cool (Refrigeración rápida)	<p>Refrigeración rápida acelera el proceso de enfriamiento utilizando la velocidad máxima del ventilador. El refrigerador funciona a máxima velocidad durante dos horas y media antes de volver a la temperatura previa.</p> <ul style="list-style-type: none">• Para activar Refrigeración rápida, presione y mantenga presionado Power Cool (Refrigeración rápida) durante 3 segundos. El indicador LED del lado izquierdo del botón se enciende, y el refrigerador aumentará la velocidad del proceso de enfriamiento.• Para desactivar Refrigeración rápida, presione y mantenga presionado Power Cool (Refrigeración rápida) durante 3 segundos. El refrigerador vuelve a la temperatura configurada anteriormente. <p>NOTA Utilizar Refrigeración rápida aumenta el consumo energético. Asegúrese de apagar la función y volver a la temperatura anterior si no tiene intenciones de utilizar la función.</p>
---	---

Funcionamiento

03 Alarma de la puerta / Vacaciones (3 segundos)

Door Alarm (Alarma de la puerta)	<p>Puede configurar la alarma como recordatorio. Si la puerta queda abierta durante más de 2 minutos, se activará la alarma y el indicador LED del lado izquierdo del botón parpadeará.</p> <p>Puede alternar para activar y desactivar la alarma presionando Door Alarm (Alarma de la puerta).</p>
Vacation (Vacaciones)	<p>Si va a tomarse vacaciones o hacer un viaje de negocios o no necesita usar el refrigerador por un período prolongado, utilice el modo Vacaciones.</p> <ul style="list-style-type: none">• Para activar el modo Vacaciones, mantenga presionado Vacation (Vacaciones) por 3 segundos. El indicador de vacaciones (🏖️) se enciende, mientras que el indicador de la temperatura del refrigerador se apaga. La temperatura del refrigerador se controlará por debajo de los 17 °C.• Para desactivar el modo Vacaciones, mantenga presionado nuevamente Vacation (Vacaciones) por 3 segundos. El refrigerador vuelve a la temperatura configurada anteriormente. <p>NOTA</p> <ul style="list-style-type: none">• Asegúrese de quitar los alimentos del compartimento del refrigerador antes de usar el modo Vacaciones.• El modo Vacaciones se desactivará si ajusta la temperatura.

04 Bloqueo (3 segundos)

Lock (Bloqueo)	<p>A fin de evitar accidentes o el uso involuntario de los controles, mantenga presionado el botón Lock (Bloqueo) durante 3 segundos para activar la Bloqueo. Todos los controles se desactivarán con el indicador LED del lado izquierdo del botón encendido.</p> <p>Para desactivarlo, mantenga presionado nuevamente durante 3 segundos. Los controles se activarán en forma normal.</p>
----------------	--

Mantenimiento

Inversión de la puerta

⚠ ADVERTENCIA

- La garantía no cubre una falla en la inversión o el daño en la propiedad causados por agentes no aprobados.
- Antes de realizar la inversión asegúrese de que el refrigerador esté desconectado de la fuente de alimentación.
- Debe esperar como mínimo una hora una vez completada la inversión de la puerta. Esto es para evitar posibles descargas eléctricas.
- La inversión de la puerta la debe efectuar el personal de servicio autorizado por Samsung y correrá por cuenta del cliente ya que este servicio no está cubierto por la Garantía.

⚠ PRECAUCIÓN

La puerta es muy pesada. Al menos dos personas deben realizar la inversión de la puerta. De otra manera, podría provocar lesiones personales.

Herramientas necesarias (no provistas)



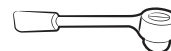
Destornillador Phillips



Destornillador de cabeza plana



Llave ajustable



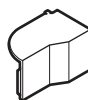
Llave de tubo de 8 mm (para pernos)

Accesorios

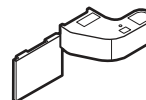
Los accesorios pueden variar según el modelo.



Bisagra de la puerta superior derecha



Bisagra de la puerta superior izquierda



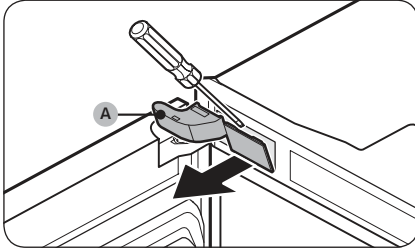
Cubierta de la bisagra de la puerta superior derecha

⚠ PRECAUCIÓN

Durante el proceso de inversión, mantenga todas las piezas pequeñas (tornillos, tapas, etc.) del refrigerador lejos del alcance de los niños por razones de seguridad.

Mantenimiento

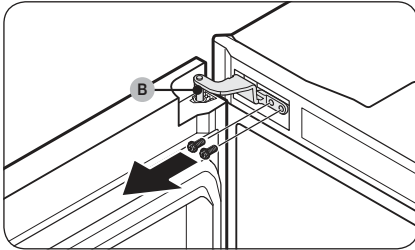
Instrucciones paso a paso



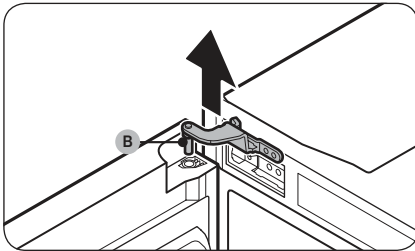
1. Use un destornillador plano para retirar la cubierta de la bisagra de la puerta superior izquierda (A).

NOTA

Guarde la pieza retirada en un lugar seguro para su uso futuro.



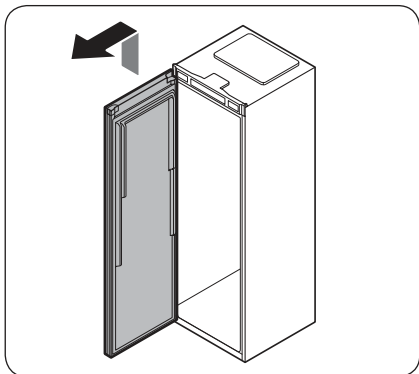
2. Utilice una llave de tubo (8 mm) para retirar los tornillos que ajustan la bisagra de la puerta superior izquierda (B).



3. Levante la bisagra de la puerta superior izquierda (B) para removerla.

NOTA

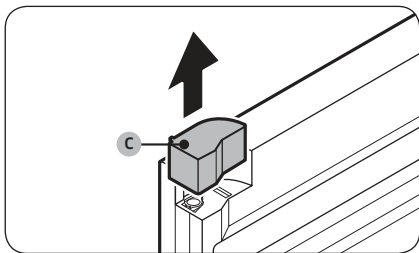
Guarde la pieza retirada en un lugar seguro para su uso futuro.



4. Levante la puerta para retirarla de la bisagra inferior.

⚠ PRECAUCIÓN

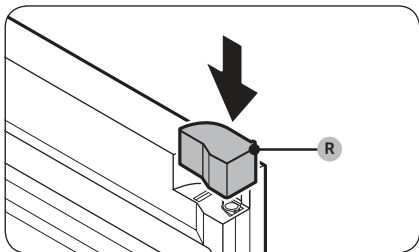
La puerta es muy pesada. Para evitar daños o lesiones, tenga cuidado cuando extraiga la puerta.



5. Retire la cubierta de la puerta superior derecha (C) de la bisagra superior.

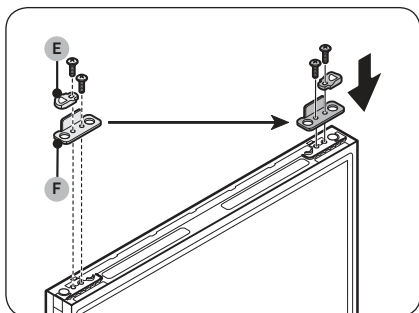
📄 NOTA

Guarde la pieza retirada en un lugar seguro para su uso futuro.

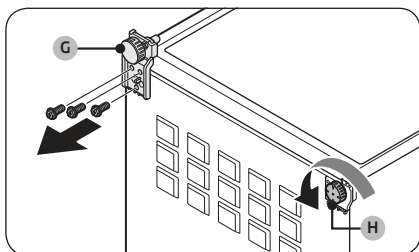


6. Ajuste la cubierta de la puerta superior izquierda (R) provista a la puerta.

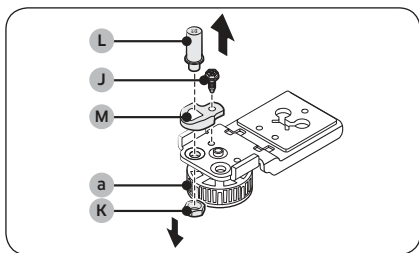
Mantenimiento



7. En la parte inferior de la puerta, extraiga el elevador de leva de la puerta (E) y el tope de la puerta (F) en ese orden.
 - Use un destornillador Phillips para retirar los tornillos que ajustan cada parte.
8. Ajuste el tope de la puerta (F) y el elevador de tope de la puerta (E), en ese orden, del lado opuesto de la puerta.
 - Utilice un destornillador Phillips para asegurar cada parte con un tornillo.



9. Con cuidado, acueste el refrigerador.
10. Retire la bisagra inferior (G).
 - Utilice una llave de tubo (8 mm) para retirar los tornillos que ajustan la bisagra inferior (G).
11. Gire la pata de nivelación (H) en el sentido contrario a las agujas del reloj para retirarla.

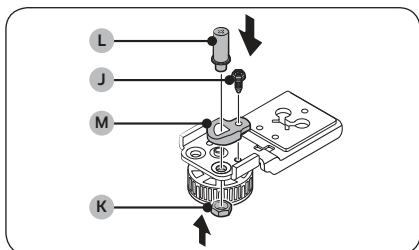


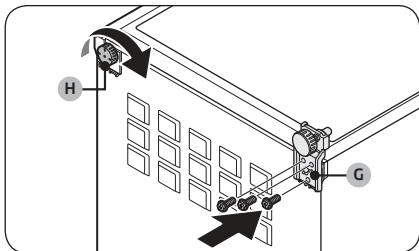
12. Use una llave de tubo (8 mm) para retirar el tornillo (J).
13. Use una llave ajustable para retirar la tuerca del eje (K).

NOTA

Afloje el nivelador (a) si es necesario cuando retire la tuerca del eje (K).

14. Use un destornillador Phillips para retirar el eje de la bisagra (L).
15. Retire el elevador de la leva de la bisagra (M).
16. Coloque que el elevador de leva de la bisagra (M) en el lado opuesto a la bisagra inferior.
17. Use un destornillador Phillips para ajustar el eje de la bisagra (L).
18. Use una llave ajustable para ajustar la tuerca del eje (K).
19. Utilice una llave de tubo (8 mm) para ajustar el tornillo (J).

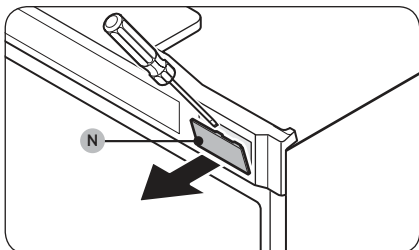




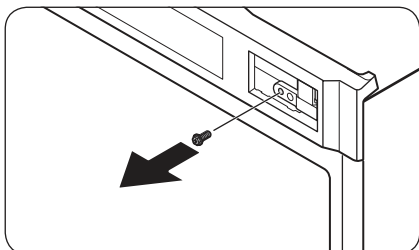
20. Ajuste la **bisagra inferior (G)** en el lado opuesto.
 - Utilice una llave de tubo (8 mm) para ajustar la **bisagra inferior (G)** con los tornillos.

21. Ajuste la **pata de nivelación (H)** en el lado opuesto.

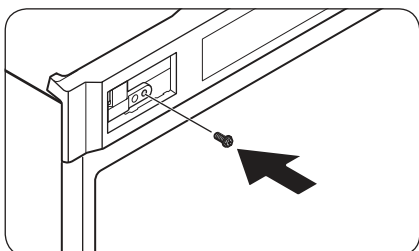
22. Con cuidado ponga al refrigerador en posición horizontal.



23. Use un destornillador plano para retirar la **tapa del tornillo (N)**.

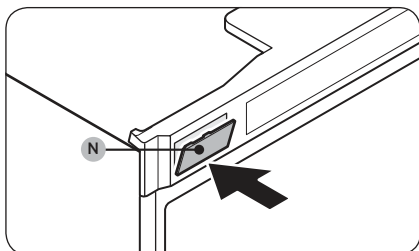


24. Use un destornillador Phillips para retirar el tornillo.

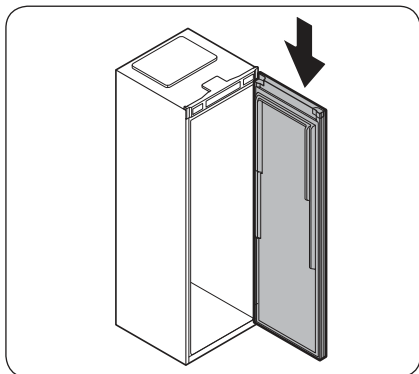


25. Utilice un destornillador Phillips para asegurar el tornillo en el orificio del lado opuesto.

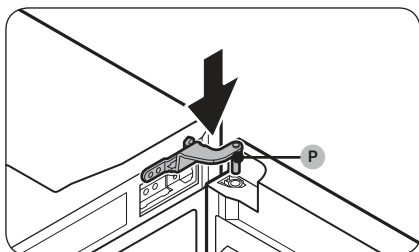
Mantenimiento



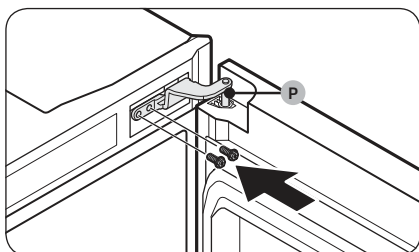
26. Coloque la tapa del tornillo (N) en el lado opuesto.



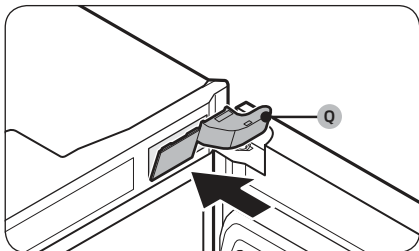
27. Coloque la puerta en la bisagra inferior.



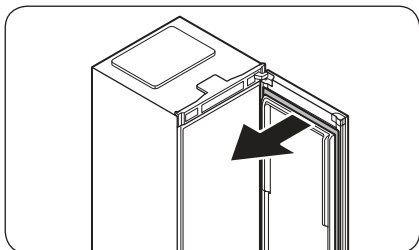
28. Coloque la bisagra de la puerta superior derecha (P) provista en la puerta.



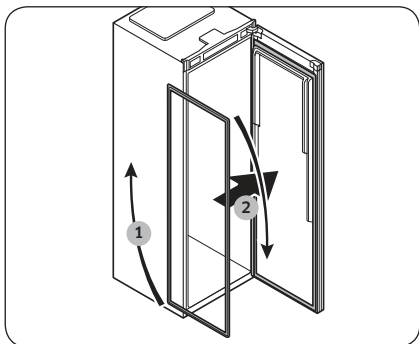
29. Utilice una llave de tubo (8 mm) para ajustar la bisagra de la puerta superior derecha (P) con los tornillos.



30. Coloque la cubierta de la bisagra de la puerta superior derecha (Q).



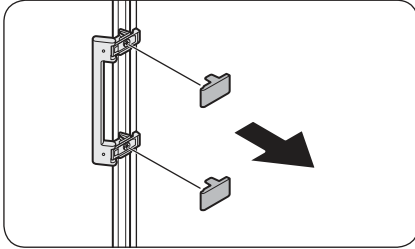
31. Quite las juntas de la puerta.



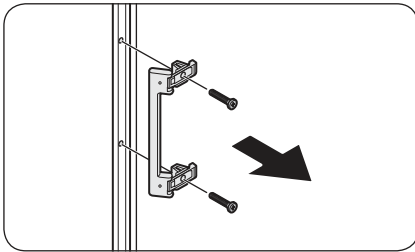
32. Gire las juntas de la puerta 180°, y luego vuelva a colocarlas en la puerta.

Mantenimiento

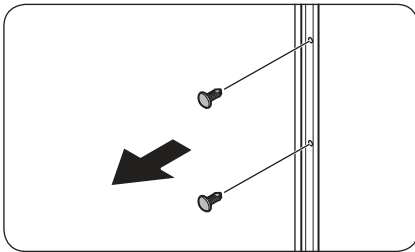
Invierta la posición de la manija de la puerta



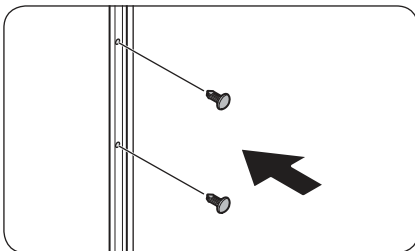
1. Retire las cubiertas de la manija.



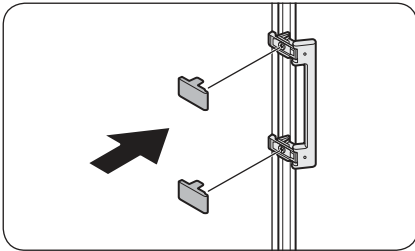
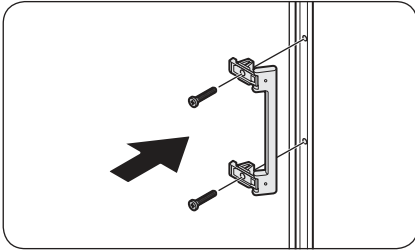
2. Use un destornillador Phillips para retirar los tornillos y quitar la manija.



3. Use un destornillador de cabeza plana para retirar las cubiertas de los orificios del lado opuesto de la puerta.



4. Inserte las cubiertas de los orificios en los orificios que quitó de la manija.

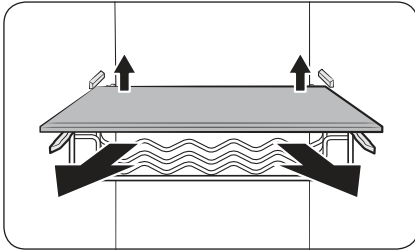


5. Coloque la manija en el lado opuesto de la puerta y alinee los orificios de la manija y de la puerta.
6. Use un destornillador Phillips para colocar la manija con los tornillos.
7. Coloque las cubiertas de la manija.

Mantenimiento

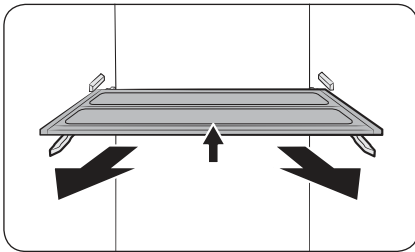
Manipulación y cuidado

Estantes/Estante para vinos (solo para los modelos correspondientes)



Levante ligeramente el lado posterior del estante (o del estante para vinos) para retirarlo.

Estante plegable

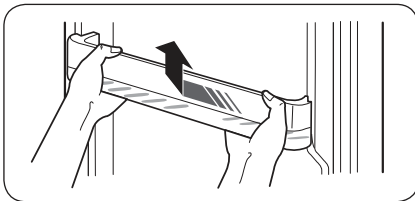


1. Levante ligeramente el lado frontal del estante para retirarlo.
2. Gire el estante diagonalmente para extraerlo.

⚠ PRECAUCIÓN

- El estante debe insertarse correctamente. No lo coloque al revés.
- Cuando vuelva a insertar el estante, asegúrese de empujarlo hacia el final hasta que encaje.
- Los contenedores de vidrio pueden rayar la superficie de los estantes de vidrio.

Compartimientos de las puertas



Levante levemente y retire el compartimiento de la puerta.

⚠ PRECAUCIÓN

A fin de evitar accidentes, vacíe los compartimientos de la puerta antes de retirarlos.

Limpieza

Interior y exterior

ADVERTENCIA

- No utilice benceno, solvente ni detergente para automóviles/hogareño como Clorox™ para limpiar. Pueden dañar la superficie del refrigerador y provocar un incendio.
- No rocíe agua sobre el refrigerador. Puede provocar una descarga eléctrica.

Utilice un paño seco regularmente para retirar cualquier sustancia extraña como polvo o agua de las terminales del enchufe de alimentación y los puntos de contacto.

1. Desenchufe el cable de alimentación
2. Utilice un paño húmedo que no deje pelusa o una toalla de papel para limpiar el interior y el exterior del refrigerador.
3. Al terminar, utilice un paño seco o toalla de papel para secarlo bien.
4. Enchufe el cable de alimentación.

Reemplazo

Lámparas de LED

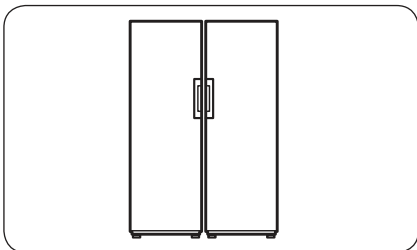
Para reemplazar las lámparas del refrigerador, comuníquese con un centro de servicios Samsung local.

ADVERTENCIA

- El usuario no debe reemplazar las lámparas. No intente reemplazar la lámpara usted mismo. Puede provocar una descarga eléctrica.

Mantenimiento

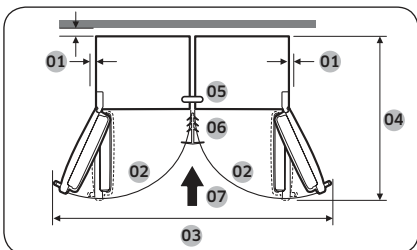
Instalación en par



Puede instalar este refrigerador lado a lado con otro refrigerador de Samsung si así lo desea. Sin embargo, la instalación lado a lado está disponible solo para los modelos cuyo nombre comienza con RZ o RR.

NOTA

Adquiera el equipo de instalación en par en una tienda Samsung y puede solicitar un instalador autorizado para la instalación en par.



01	se recomienda más de 50 mm
02	105°
03	1538 mm
04	1194 mm
05	Fijación del seguro
06	Fijador
07	Dirección de la instalación

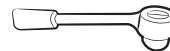
Herramientas necesarias (no provistas)



Destornillador Phillips

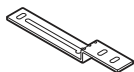


Destornillador de cabeza plana



Llave de tubo de 8 mm (para pernos)

Accesorios del equipo de instalación par



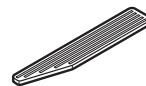
01 Soporte superior
(1)



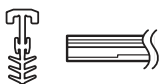
02 Soporte inferior de
7 mm (1)



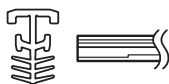
03 Soporte inferior de
15 mm (1)



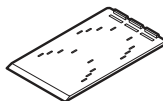
04 Riel guía (6)



05 Borde de 7 mm (1)



06 Borde de 15 mm
(1)



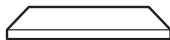
07 A/S plantilla guía
de ref. (4)



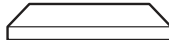
08 Cojinetes de ajuste
de nivel (4)



09 Espuma LEX T4 (8)



10 Espuma LEX T7 (8)



11 Espuma LEX T10
(8)



12 Tornillos
hexagonales M5 x
16 (4)



13 Tornillos M4 x
18 (2)

NOTA

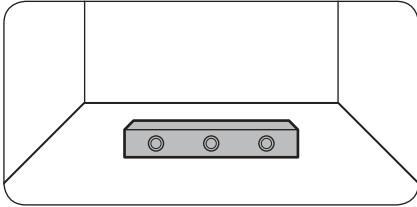
El número entre paréntesis hace referencia a la cantidad necesaria de cada accesorio.

Mantenimiento

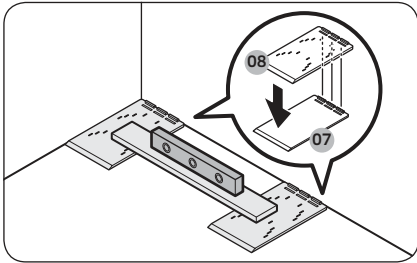
Instrucción paso a paso

📄 NOTA

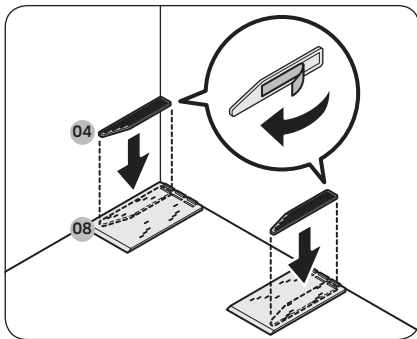
Los números en la figura y entre paréntesis son los mismos que se muestran en la lista de accesorios.



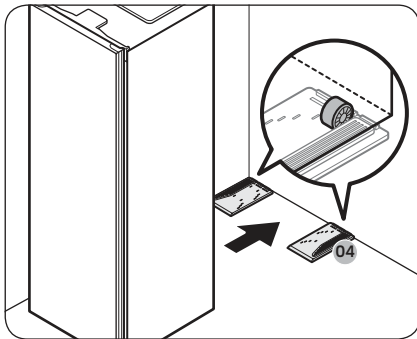
1. Verifique el nivel del piso.
 - Use un nivelador para verificar el nivel del piso donde se colocarán las dos ruedas traseras.



2. Coloque las A/S plantillas guía de ref. (08) y verifique el nivel.
 - Coloque las dos A/S plantillas guía de ref. (08) provistas en el piso donde se colocarán las dos ruedas traseras del refrigerador y, luego, verifique el nivel.
 - Si el piso no está nivelado, coloque los cojinetes de ajuste de nivel (07) debajo de las A/S plantillas guía de ref. (08) para que el refrigerador esté sobre una superficie nivelada.
 - Cuando haya clasificado todas las partes necesarias para nivelar, despegue la cinta doble faz en la parte inferior de cada parte y coloque la parte en su posición final.

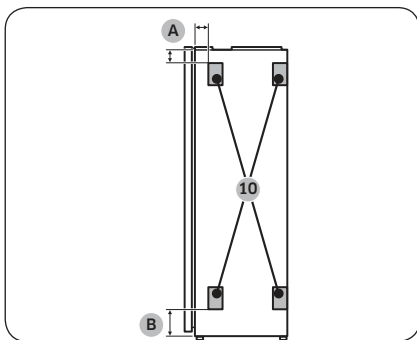


3. Coloque los rieles guía (04).
 - Alinee los rieles guía (04) con las marcas en los extremos de las A/S plantillas guía de ref. (08). Luego, despegue la cinta doble faz en el riel guía (04) y colóquelo a las A/S plantillas guía de ref. (08).
 - Asegúrese de realizar este paso en los dos lados, izquierdo y derecho.



NOTA

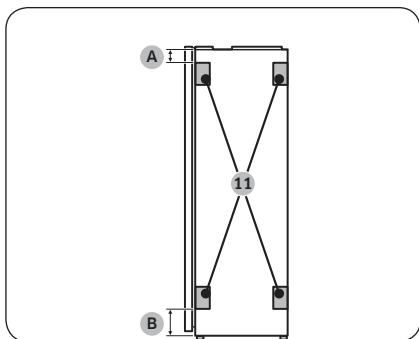
El riel guía (04) ayuda a colocar el refrigerador en el lugar previsto.



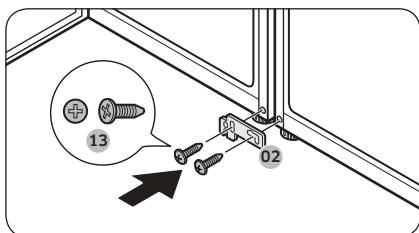
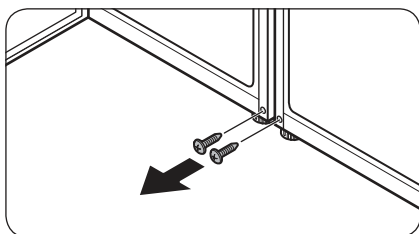
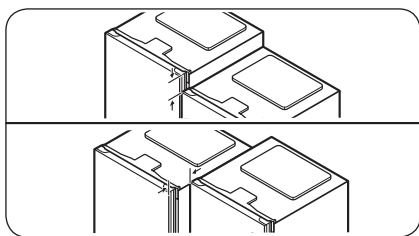
A: 50 mm
B: 100 mm

4. Coloque la Espuma LEX T7 (10).
 - Coloque las cuatro piezas de Espuma LEX T7 (10) para mantener un espacio entre los dos refrigeradores.
 - Coloque las cuatro piezas de espuma del lado de un refrigerador que sea contiguo al otro.
 - Consulte la figura para ver la posición de la espuma.

Mantenimiento



A: 50 mm
B: 100 mm



5. Coloque la Espuma LEX T10 (11).
 - Coloque las cuatro piezas de Espuma LEX T10 (11) para mantener un espacio entre el refrigerador y el gabinete.
 - Coloque las cuatro piezas de espuma del lado de un refrigerador que sea contiguo al gabinete.
 - Consulte la figura para ver la posición de la espuma.

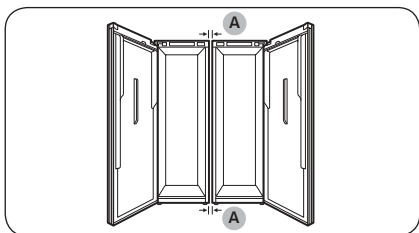
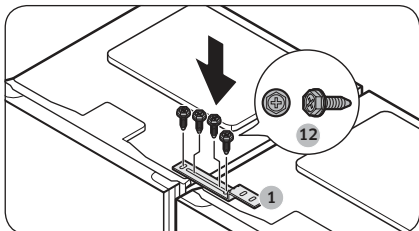
NOTA

Si no coloca la espuma se pueden generar rayones si empuja el refrigerador contra el gabinete.

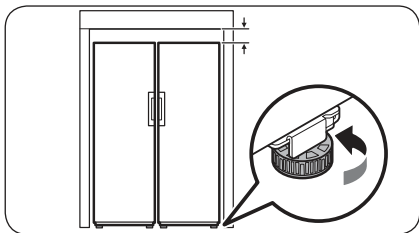
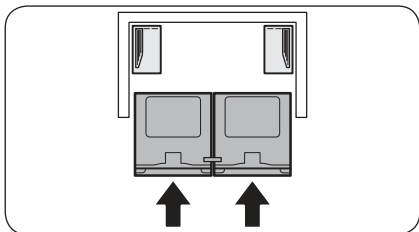
6. Alinee los dos refrigeradores.
 - Verifique la alineación en la parte superior y en el frente de los refrigeradores y realínelos si fuera necesario.

7. Retire los tornillos de los dos orificios donde el soporte inferior estará ajustado.
 - Abra la puerta de los refrigeradores que se instalarán en par y luego retire los tornillos ubicados donde el soporte inferior estará ajustado.

8. Ajuste el soporte inferior de 7 mm (02).
 - Ajuste el soporte inferior de 7 mm (02) con los dos tornillos M4 x 18 (13) (uno ajustado a cada refrigerador) para asegurar las partes inferiores de los refrigeradores.



A: 7 mm



9. Ajuste el soporte superior (1).
 - Ajuste el soporte superior (1) con los cuatro tornillos hexagonales M5 x L16 (12) para asegurar las partes superiores de los refrigeradores.

NOTA

Alinee las partes superiores de los refrigeradores antes de ajustar el soporte superior.

10. Verifique el espaciado entre los refrigeradores.
 - Luego de ajustar los soportes superior e inferior, asegúrese que el espaciado entre los refrigeradores sea de 7 mm en la parte superior y en la parte inferior.

NOTA

Si el espaciado entre los refrigeradores es mayor que 7 mm, podría haber menos espacio entre el refrigerador y el gabinete, lo que podría interferir al abrir las puertas.

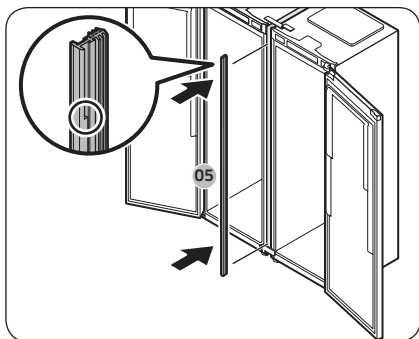
11. Empuje los refrigeradores dentro del gabinete.
 - Al menos dos personas deben empujar al mismo tiempo los refrigeradores, ajustados con los soportes, dentro del gabinete.

NOTA

Si las dos personas no empujan los refrigeradores en forma uniforme, las partes traseras podrían dispersarse o desviarse del lugar previsto.

12. Ajuste la altura de los refrigeradores.
 - Gire la pata de nivelación hacia la izquierda o hacia la derecha para ajustar la altura de los refrigeradores de modo que queden al ras del gabinete.

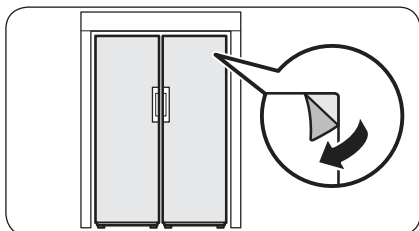
Mantenimiento



13. Inserte el borde de 7 mm (05) entre los refrigeradores.
 - Abra las puertas e inserte el borde de 7 mm (05) entre los refrigeradores.

NOTA

Consulte la parte ampliada del borde en la figura para identificar cuál es la parte superior.



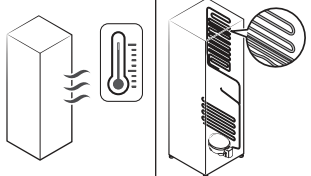
14. Haga una verificación final.
 - Si no hay ningún problema, quítele el film protector al producto.

Solución de problemas

Antes de solicitar servicio técnico revise los siguientes puntos de verificación. En el caso de solicitudes de servicio para situaciones normales (cuando no existe ningún defecto), se exigirá un cargo a los usuarios.

General

Temperatura

Síntoma	Causas posibles	Solución
El refrigerador no funciona. La temperatura del refrigerador es elevada.	<ul style="list-style-type: none"> El cable de alimentación no está conectado correctamente. 	<ul style="list-style-type: none"> Enchufe correctamente el cable de alimentación.
	<ul style="list-style-type: none"> El control de temperatura no está configurado correctamente. 	<ul style="list-style-type: none"> Baje la temperatura.
	<ul style="list-style-type: none"> El refrigerador está ubicado cerca de una fuente de calor o expuesto a la luz solar directa. 	<ul style="list-style-type: none"> Mantenga el refrigerador alejado de la luz solar directa o de las fuentes de calor.
	<ul style="list-style-type: none"> El espacio entre el refrigerador y las paredes laterales o trasera es insuficiente. 	<ul style="list-style-type: none"> Recomendamos que el espacio entre el refrigerador y las paredes (o gabinetes) cercanos sea superior a 50 mm.
	<ul style="list-style-type: none"> El modo Vacaciones está activado. 	<ul style="list-style-type: none"> Desactive el modo Vacaciones.
	<ul style="list-style-type: none"> El refrigerador está demasiado lleno. Los alimentos bloquean las rejillas de ventilación del refrigerador. 	<ul style="list-style-type: none"> No sobrecargue el refrigerador. Evite que los alimentos bloqueen la ventilación.
El refrigerador enfría demasiado.	<ul style="list-style-type: none"> El control de temperatura no está configurado correctamente. 	<ul style="list-style-type: none"> Eleve la temperatura.
La pared interna está caliente.	<ul style="list-style-type: none"> El refrigerador cuenta con tuberías a prueba de calor en la pared interna. 	<ul style="list-style-type: none"> A fin de evitar que se forme condensación, el refrigerador cuenta con tuberías a prueba de calor en los ángulos frontales. Si la temperatura aumenta, es posible que el equipo no funcione eficazmente. No se trata de una falla del sistema. 

Solución de problemas

Olores

Síntoma	Causas posibles	Solución
El refrigerador tiene olores.	• Alimentos descompuestos.	• Limpie el refrigerador y retire los alimentos descompuestos.
	• Alimentos con olores fuertes.	• Asegúrese de que los alimentos con olores fuertes estén envueltos al vacío.

Condensación

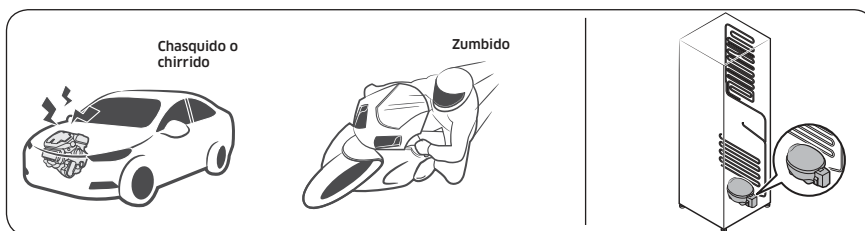
Síntoma	Causas posibles	Solución
Se forma condensación en las paredes internas.	• Si se deja la puerta abierta, entra humedad en el refrigerador.	• Retire la humedad y no abra la puerta durante un tiempo.
	• Alimentos con elevado contenido de humedad.	• Asegúrese de que los alimentos estén envueltos al vacío.

¿Se oyen ruidos anómalos procedentes del refrigerador?

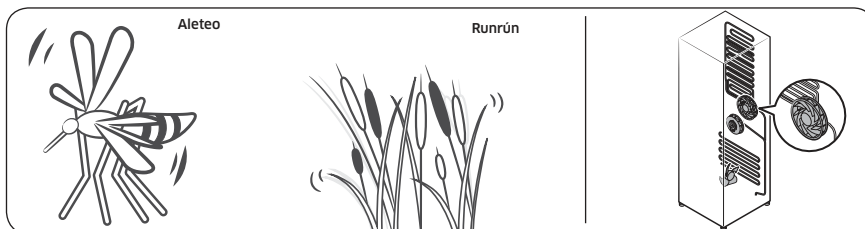
Antes de solicitar servicio técnico revise los siguientes puntos de verificación. En el caso de solicitudes de servicio relacionado con ruidos normales se exigirá un cargo al usuario.

Estos ruidos son normales.

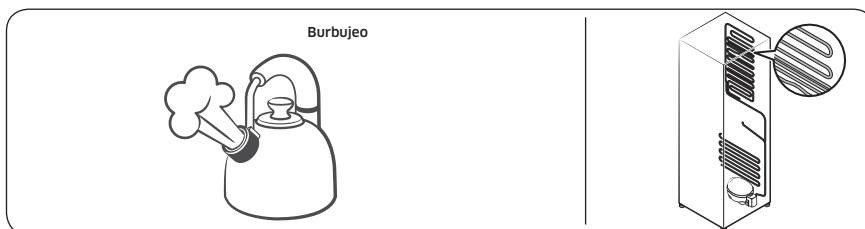
- Cuando se inicia o finaliza una operación, el refrigerador puede emitir unos sonidos similares al encendido del motor de un auto. Cuando la operación se estabiliza, el ruido disminuye.



- Cuando el ventilador está en funcionamiento puede producir algunos ruidos. Cuando el refrigerador alcanza la temperatura establecida, el ventilador deja de producir ruidos.

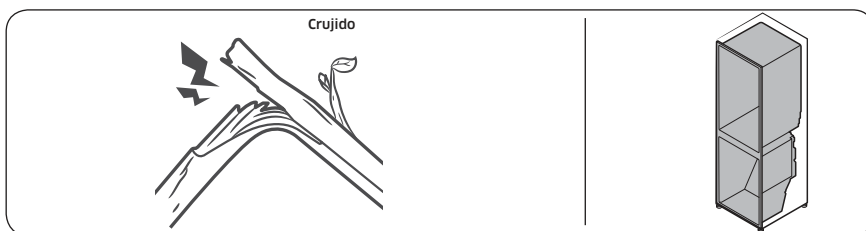


- Cuando el refrigerador enfría, el gas refrigerante circula por las tuberías selladas y produce ruidos de burbujas.



Solución de problemas

- Cuando la temperatura del refrigerador aumenta o disminuye, las partes plásticas se contraen y se expanden y producen ruidos de golpeteo. Dichos ruidos se producen durante el ciclo de descongelación o cuando las piezas electrónicas están funcionando.



- Para modelos con fábrica de hielo: Cuando la válvula de agua se abre para llenar la fábrica de hielo, pueden emitirse unos zumbidos.
- Debido a la equalización de la presión cuando se abre y cierra la puerta, pueden producirse sonidos silbantes.

Notas

Notas

Notas

Contacte a SAMSUNG WORLD WIDE

Si tiene preguntas o comentarios relacionados con los productos Samsung, póngase en contacto con el Servicio de Atención al Cliente de SAMSUNG.

País	Centro de contacto	Sitio web
ARGENTINA	0800-555-SAMS(7267)	www.samsung.com/ar
URUGUAY	0800-SAMS(7267)	www.samsung.com/uy
PARAGUAY	0800-11-SAMS(7267)	www.samsung.com/py
CHILE	800 726 786	www.samsung.com/cl/support
BOLIVIA	800 107 260	www.samsung.com/cl/support
COLOMBIA	Bogotá en el 600 12 72 Sin costo en todo el país 01 8000 112 112 Y desde tu celular #726	www.samsung.com/co/support
COSTA RICA	00-800-1-SAMSUNG (726-7864)	www.samsung.com/latin/support (Spanish) www.samsung.com/latin_en/support (English)
DOMINICAN REPUBLIC	1-800-751-2676	www.samsung.com/latin/support (Spanish) www.samsung.com/latin_en/support (English)
ECUADOR	1-800-SAMSUN (72-6786)	www.samsung.com/latin/support (Spanish) www.samsung.com/latin_en/support (English)
EL SALVADOR	8000-SAMSUNG (726-7864)	www.samsung.com/latin/support (Spanish) www.samsung.com/latin_en/support (English)
GUATEMALA	1-800-299-0033	www.samsung.com/latin/support (Spanish) www.samsung.com/latin_en/support (English)
HONDURAS	800-2791-9111	www.samsung.com/latin/support (Spanish) www.samsung.com/latin_en/support (English)
JAMAICA	1-800-SAMSUNG (726-7864)	www.samsung.com/latin_en/support (English)
NICARAGUA	001-800-5077267	www.samsung.com/latin/support (Spanish) www.samsung.com/latin_en/support (English)
PANAMA	800-0101	www.samsung.com/latin/support (Spanish) www.samsung.com/latin_en/support (English)
PERU	080077708 Desde teléfonos fijos, públicos o celulares	www.samsung.com/pe/support
PUERTO RICO	1-800-682-3180	www.samsung.com/latin/support (Spanish) www.samsung.com/latin_en/support (English)
TRINIDAD & TOBAGO	1-800-SAMSUNG(726-7864)	www.samsung.com/latin/support (Spanish) www.samsung.com/latin_en/support (English)
VENEZUELA	0-800-100-5303	www.samsung.com/latin/support (Spanish) www.samsung.com/latin_en/support (English)



DA68-03560X-02