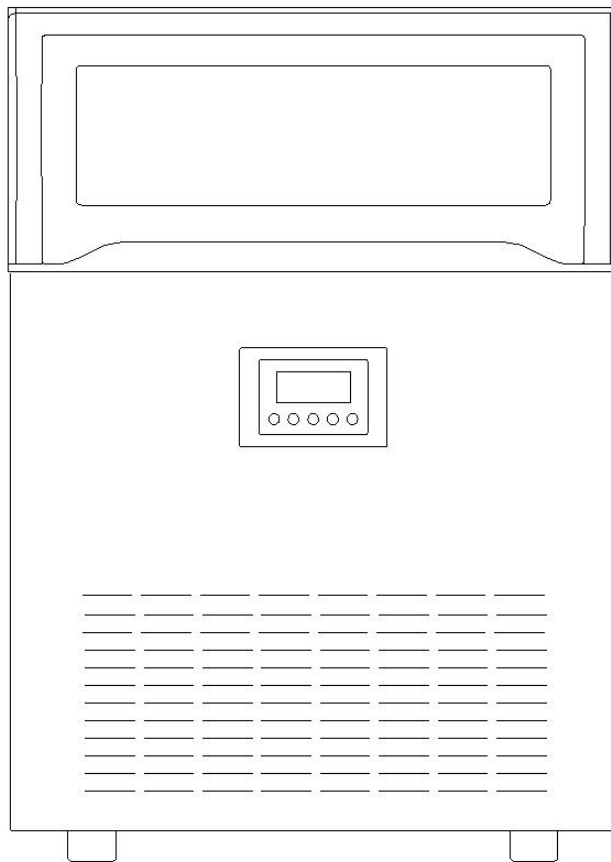


ICE MAKER

Instruction Manual



It is important that you read these instructions carefully and keep it for future reference. The picture is for reference only. Please be subject to the actual products.

Support email: icemaker@tazpi.com



IMPORTANT SAFETY INSTRUCTIONS

When using electrical appliances, basic safety precautions should be followed to reduce the risk of fire, electric shock and injury to persons or property. Read all instructions before operating the machine for the first time.

CAUTION: ICE CAN'T BE STORED IN THE ICE BIN DURING NIGHT TIME, IT'S NOT FRIDGE, ICE WILL BE MELTED TO WATER AND GET OUT OF THE MACHINE.

1. If connect with water supply, CAUTION: must connect the potable water supply;
2. The machine is intended to be used in household and similar applications such as:
 - staff kitchen areas in shops, offices and other working environments;
 - farm houses
 - by clients in hotels, motels and other residential type environments;
 - Catering industry and similar non-retail industry.
3. The machine should be used in household and without obstacles surrounded, good ventilation place. There is must be 19.7in at least between the four sides of the machine with the wall.
4. When using electrical appliances, basic safety precautions should be followed to reduce the risk of fire, electric shock and injury to persons or property. Read all instructions before using any appliance.
5. Don't operate this or any other appliance with a damaged cord.
6. Connect to properly polarized outlets only. No other appliance should be plugged into the same outlet. Be sure that the plug is fully inserted into the socket.
7. Don't place the machine and power cord near flammable material. Do not cover the cord. Do not submerge it in water.
8. We do not recommend the use of an extension cord, as it may overheat and become a risk of fire.
9. Unplug the ice maker before cleaning or making any repairs or servicing.
10. Exercise caution and supervision when appliance is used near children.
11. Don't use your ice maker outdoors. Avoid direct sunlight and make sure that there is at least 19.7in of space between the back and sides of your unit and the wall.
12. Don't use any liquid other than water in the unit to make the ice.

13. Do not clean your ice maker with flammable detergents. The fumes can create a fire hazard or explosion.
14. Do not tip the machine over.
15. If the ice maker is brought indoors from outdoors during the wintertime, give it a few hours to warm up to room temperature before plugging to power source.
16. This unit should be properly grounded for your safety. The power cord is equipped with a three-prong plug which mated with standard three prong wall outlets to minimize the possibility of electric shock.
17. Plug your appliance into a dedicated, properly installed and grounded wall outlet. Do not, under any circumstance power and /or grounding should be directed toward a certified electrician.
18. The foaming materials inside is combustible which must be kept away from fire.
19. It's forbidden to pull the cable to unplug the plug, pull the plug is a must.

IMPORTANCE: To avoid hazard due to instability, unit must be placed on an even and flat surface.

WARNING: The machine must be grounded.

- 1) Only connect to drinking water sources that meet local drinking water standards.
- 2) In addition to the method recommended by the manufacturer, no mechanical equipment or other methods should be used to accelerate the defrosting process, which will damage the system.
- 3) The refrigeration system contains high-pressure refrigerant, and the refrigeration system must not be damaged. Special care must be taken during installation and handling, installation and maintenance must be performed by a professional, and scrap must be disposed of by designated recycling departments.
- 4) The ice machine has thermal insulation materials, which are flammable materials, and must be kept away from the fire source.

UNPACKING YOUR ICE MAKER

Warning: Please keep foam and other packaging materials from children and disabled people, as this may cause danger to them.

NOTE: Please remove all packages when using, or else the machine may not work properly.

a) Remove the packaging and check whether the machine is intact.

b) Open the accessory package and check whether the below accessories are included.

Accessories list				
NO	Description	Picture	Usage	QTY
1	Manual		Operation manual	1PC
2	Filter		Filter water	1PC
3	Spanner		Twist the filter off or on	1PC
4	Fixed plate		Fix the filter	1PC
5	Screw		To fix the filter	6PCS
6	Drainage pipe		Drain	1PC
7	Ice spoon		Take ice cubes	1PC
8	nylon cable ties		Fix pipe if needed	2PCS
9	Hoop		Fasten the drainage pipe together if needed	1PC
10	Seal ring		Spare. Put in the joint which connects the faucet.	1PC
11	Seal ring		Spare. Put in the other joint of filter.	1PC
12	Spare blue clip		Spare blue clip if needed.	2PCS
13	Spare plug		Spare plug which plug the tank if needed.	1PC
14	Feet		Screw fee before using the machine	4PCS
15	PTFE Tape		Tie up the connector if needed	1PC

The placement of the machine

- a) Find a location for your ice maker where it's protected from direct sunlight and other sources of heat (i.e. stove, furnace, radiator). Place the ice maker on a level surface. Make sure that there is at least 5 inches of space between the back and sides of your ice maker and the wall.
- b) The ambient temperature around the machine should not be lower than 3°C (37.4°F), not higher than 40°C (104°F), ensure there is at least 19.7in of space between the back and sides of your unit and the wall.
- c) The machine should be placed on a stable place.
- d) Please do not put anything on top of the machine.
- e) After you unpack the machine, we recommend you to leaving it for 24 hours before turning it on.
- f) Clean the interior with lukewarm water and a soft cloth or clean the unit using the Self-Clean function.
- g) The appliance must be positioned where the plug is accessible.

Installation and connection

NOTE: Installation must be operated according to the manual by a professional.

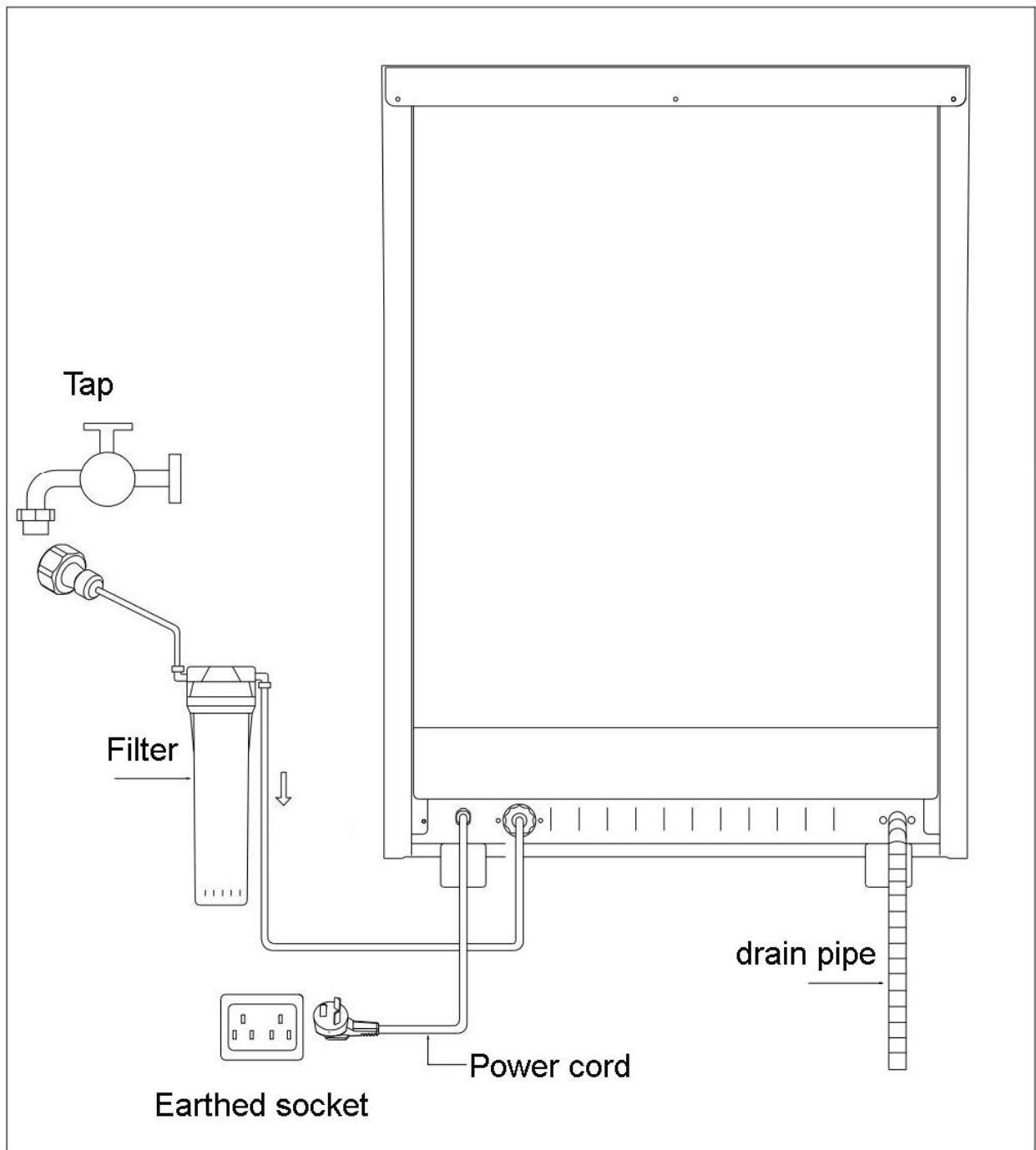
If you have any questions about the installation and connection, we can send the tutorial video to you, pls contact us: Support email: icemaker@tazpi.com

Water connection of the machine

Warning:

- a. The ice machine can only be connected to a drinking water source, and the water source must comply with local drinking water standards.
- b. The water supply to the ice maker must be connected to a filter to improve the drinking standard of the water. Please do not directly connect to tap water.
- c. The water supply pressure should be within 14.5-58psi, if the pressure is greater than 58psi, a pressure reducing valve needs to be connected.
- d. The machine is drained by its own weight, so the drain pipe should have sufficient height.

1) Water intake

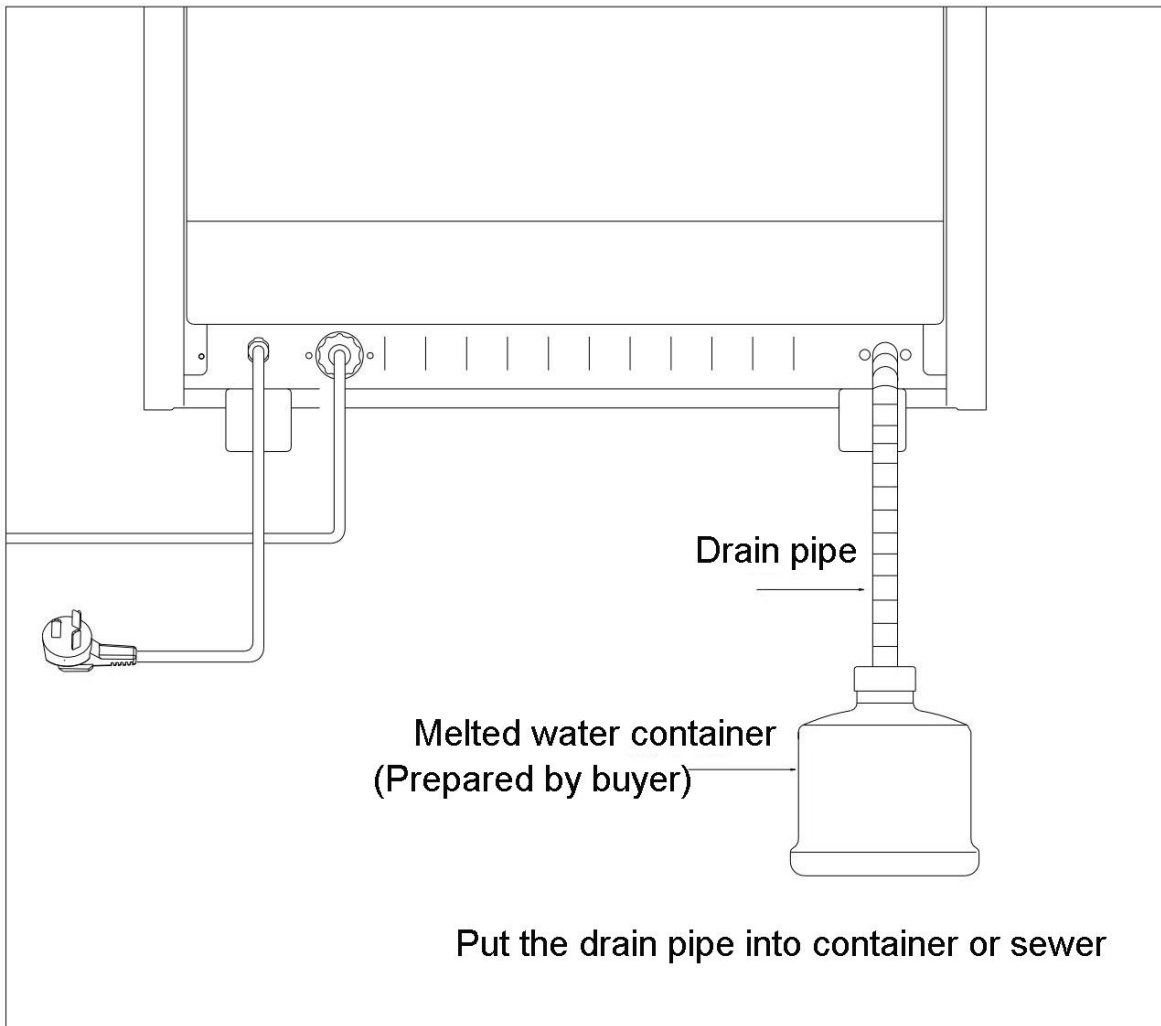


We suggest you change the water filter for about 3 months according to your local water quality situation. The cleanliness of the ice depends on the water and the cleaner the water the longer the life of the ice machine will be. If you want to buy the original filter, please contact us directly email: icemaker@tazpi.com

3-2) Drainage

Warning: Because the ice in the inner tank will melt, drain pipe must be connected before using, and insert the drain pipe into a container or into the sewer.

Note: Connect one end of the drain pipe to the machine, and the other end to a container or sewer. The other port of the drain pipe must be lower than the drain port of the machine.

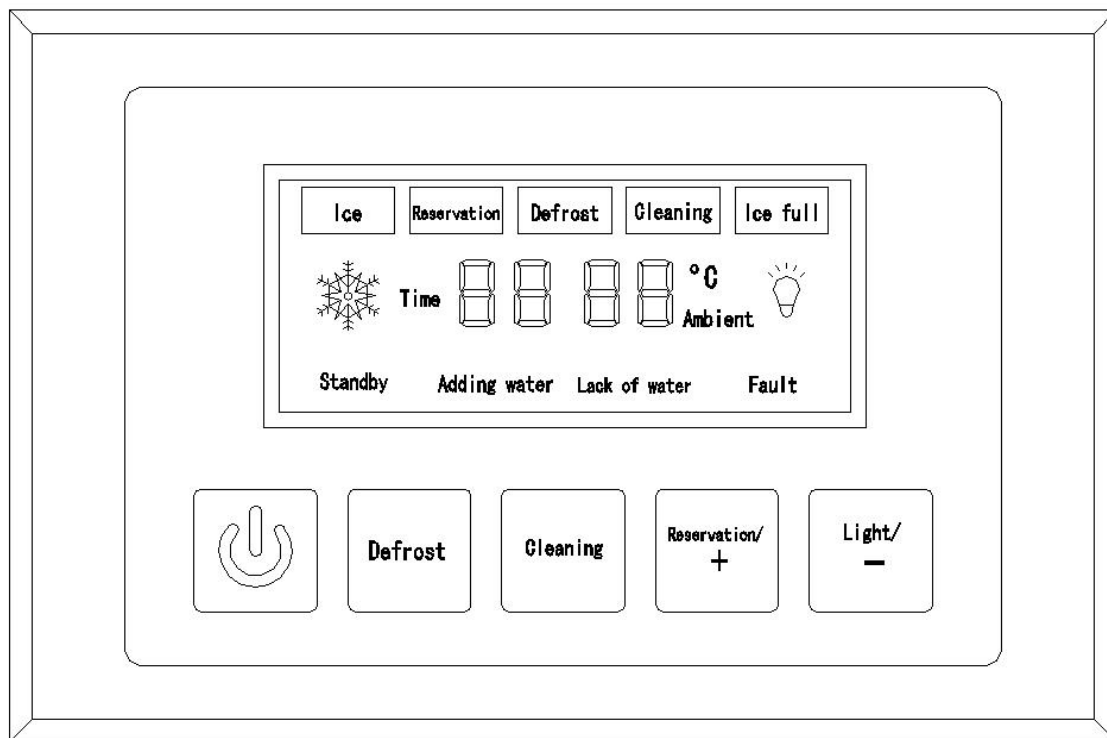


4)Electrical connection

WARNING:

- 1)The machine must be grounded.
- 2) The fusing current of the electrical box must be $>10A$,If it is to be replaced,must be operated by a technician.
- 3) voltage fluctuation can't be exceed $\pm 10\%$ than rated voltage,or a Voltage stabilizer is needed
- 4) The blue light installed inside the machine must be replaced by a professional.

MACHINE OPERATIONS



Operation Panel

Quick introduction

1. Connect and turn on the water faucet before power the machine.
2. Turn on the machine, it starts to replenish water with lighted "adding water" and "lack of water", after finishing, it will enter to standby mode with "00" displayed in the screen. At the same time, "adding water" and "lack of water" will be off.



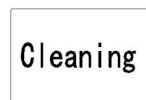
3. ON/OFF SWITCH

Press to make ice, and hold for 2s to turn it off.



- 4.

Hold for 2s to force the ice cubes fall from the evaporator ahead of time.



- 5.

When the machine is in standby mode, press the "**Cleaning**" button to make the machine automatically enter self-clean program for 5 min.

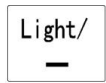


- 6.

A: When the machine is at the middle of ice making, press the "**Reservation/+**" button to

increase the making time in minute.

B: When the machine is at the middle of ice making or standby mode, hold the button for 2s to set the auto-turning-on or auto-turning-off time (The time range is from 0-23 hour, in hours).

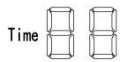


7.

A: When the machine is at the middle of ice making, press the "Light/-" button to reduce the making time in minute.

B: Hold the button for 2s to turn off the blue light when the light is on.

Hold the button for 2s to turn on the blue light when the light is off.



8.

A: the countdown time for the ice making procedure or reservation time or "replenishing water" or standby mode.

B: "--" and standby indicator mean the machine is in standby mode.

C: "00", "add water" and "lack of water" indicator mean the machine is replenishing water.

CLEANING & MAINTENANCE

Please thoroughly clean your ice maker before initial use.

EXTERIOR: the outside of the ice maker should be cleaned regularly with a mild detergent and warm water. Always use a soft cloth to avoid scratching or damaging the housing.

SPOON: clean with mild detergent and warm water in week.

Storage tank: clean with mild detergent and warm water in week.

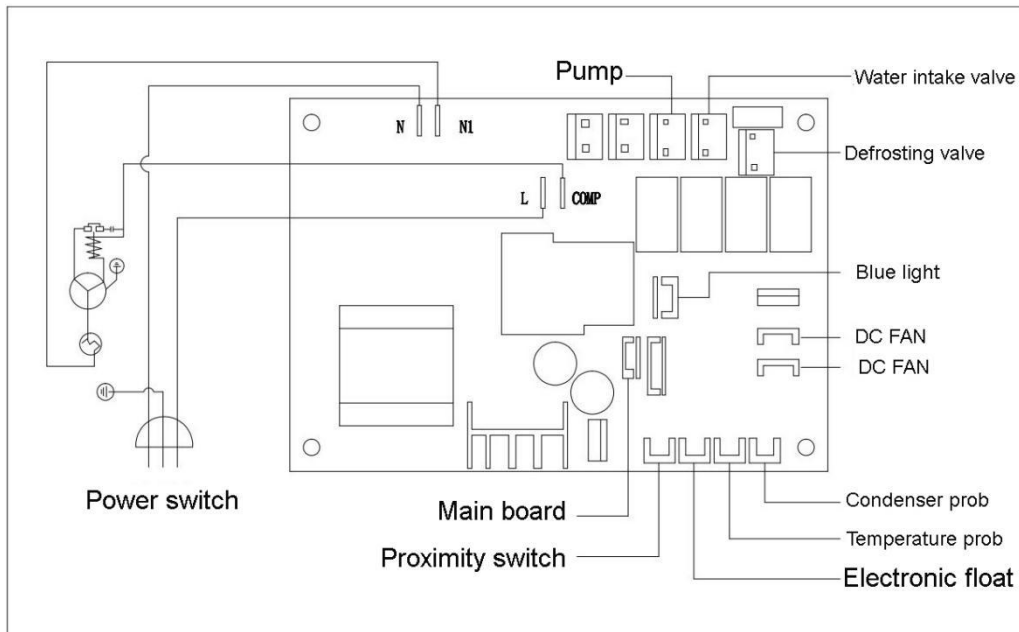
PUMP: clean with mild detergent and warm water in week. Turn off and unplug the machine, take the pump out, clean it with a brush then install it back.

INTERIOR: please use the following Self-Clean function:

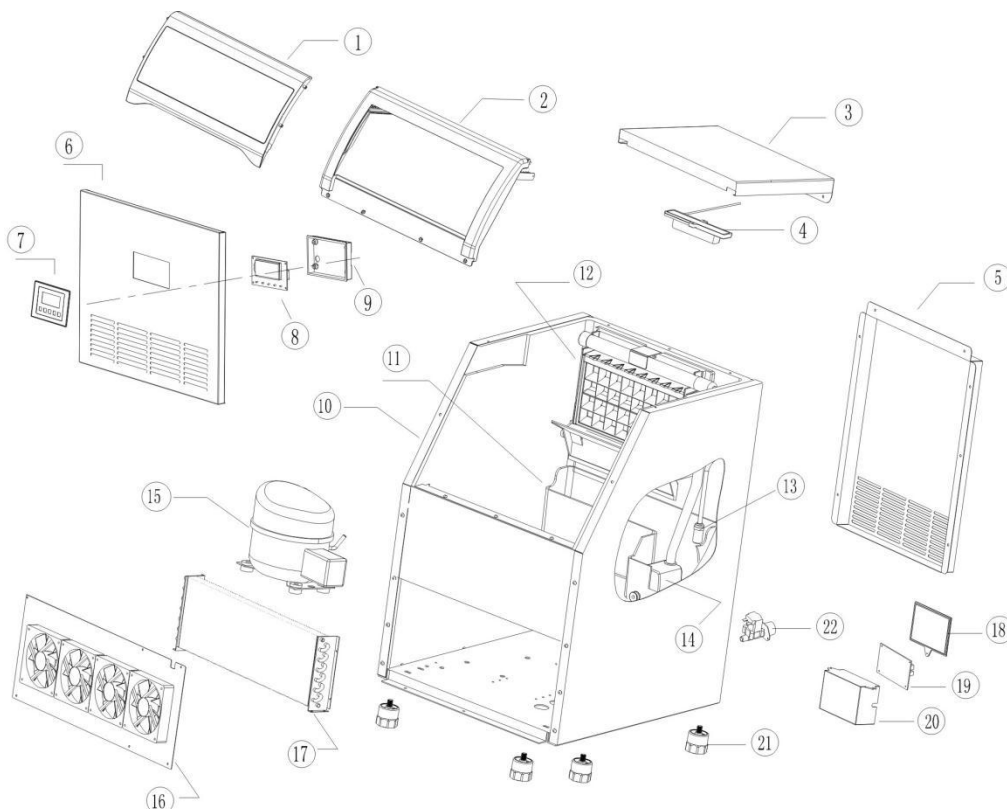
1. Add water and vinegar or lemon juice mix (1:1 ratio)
2. Plug in unit, press and hold the CLEAN button for approximately 6-7 seconds, then release. The unit will automatically enter Self-clean program. This process takes about 5-6 minutes. When the Self-Clean program is finished, unit will automatically power off.
3. The fan blade will be rotating. This process rinses the inside parts several times.
4. After the Self-Clean program is completed, unplug the power cord and drain out the water by unplugging the drain cap on the side. Replace drain cap.
5. Add fresh water to the water reservoir, up to the water level mark.
6. Plug the unit and repeat the Self-Clean process by repeating steps 3 to 5. This will rinse out the vinegar/lemon residue.
7. After draining the water, replace and tighten drain cap.
8. Dry the interior and exterior with a clean, soft cloth.

NOTE: It is strongly recommended to clean the unit before initial use or after the unit has not been in use for a long period of time.

Circuit Diagram



Explosion diagram



- | | | | |
|-----------------|----------------------|---------------------------|--------------------|
| 1. Visible door | 7. Touch board | 13. Float | 19. Main board |
| 2. Door frame | 8. Control board | 14. Pump | 20. Main board box |
| 3. Top cover | 9. Control board box | 15. Compressor | 21. Feet |
| 4. Blue light | 10. Inner tank | 16. DC fan (Keep prevail) | 22. Solenoid valve |
| 5. Back panel | 11. Water tank | 17. Condenser | |
| 6. Front panel | 12. Ice mold | 18. Main board cover | |

Common malfunction analysis

1) NO ICE

Issues	Check items	Possible causes	solutions
The machine doesn't work	Power cord	The plug didn't plug into socket	Plug into socket
	The fuse of PCB	The fuse is melted or broken	Replace the fuse
	Ice bin	The ice is full	Clean out the ice cubes
	Power supply	No power or lower voltage	Contact power supply bureau
	Water supply	No water or water pressure is low	Check water source and its pressure
	Inlet valve	Inlet valve is broken	Replace the inlet valve
	Proximity switch	Proximity switch is broken	Replace the proximity switch
Compressor didn't work or stop working suddenly	Power supply	Lower voltage	Contact power supply bureau
	Air inlet	Air inlet is congested	Ensure that the machine's surrounding space of at least 15 cm is clear of any objects
	Condenser	Too much dust covered	Clean the condenser
	Refrigerant	Refrigerant leaked	Contact after sales service
	compressor	Connection wire is broken off	Contact after sales service
No water in the water tank	Float	Float was jammed or damage	Pull the float to normal position or replace a bureau
	No water supply	Pipes get clogged or water outage	Check the pipes or contact water supply bureau
Water leakage	Water inlet	Water inlet is loosened	Re-tightened the water pipe
	Inlet or outlet pipe	It's broken	Replace a pipe

2) Lower making capacity

Issues	Check items	Possible causes	solutions
Take too long to make ice	Water pressure	Lower water pressure	Check the water source
	Water temperature	Water temperature is high	Change to a water source of lower temperature
	Ambient temperature	Ambient temperature is too high or too low	Change to a place of lower temperature
	Refrigerant	Refrigerant leakage	Contact the after sales
Productions of ice cubes is low and the cube ice is too thin	Condenser	Too much dust covered causes bad ventilation,, will take too long to make ice	Clean the condenser
	Water pump	Water pump broken	Replace a water pump
	Ambient temperature	Ambient temperature is relative high	Change to a place of lower temperature
	Air inlet	Air inlet is congested	Ensure that the machine's surrounding space of at least 15 cm is clear of any objects

**If you have any questions, please contact us:
Support email: icemaker@tazpi.com**

**This is our YouTube channel,
if you need tutorial videos, you can subscribe us and watch.**

