

SCHWINN®

Quick Start Guide

Hurricane Compact E-Bike

IMPORTANT! You must read the Schwinn owner's manual before taking your first ride. It contains crucial information about safety, performance, proper use, and maintenance.

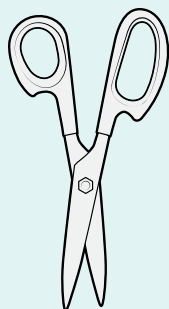
Let's build your ride!

You're just a few steps away from the joy and freedom of riding. All you have to do now is assemble your bike. We've prepared this guide to make assembly as simple as possible so you can get to the fun part – riding!



BEFORE YOU BEGIN

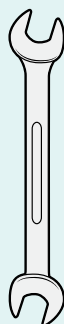
Gather necessary tools for assembly.



SCISSORS



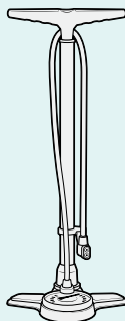
**6 mm
HEX KEY
(INCLUDED)**



**15 mm
WRENCH
(INCLUDED)**



**PHILLIPS
SCREWDRIVER**



AIR PUMP

Not all tools are included.

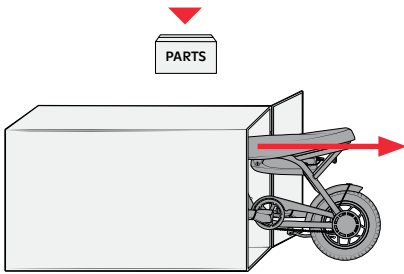
STEP 1

Unbox the bicycle.

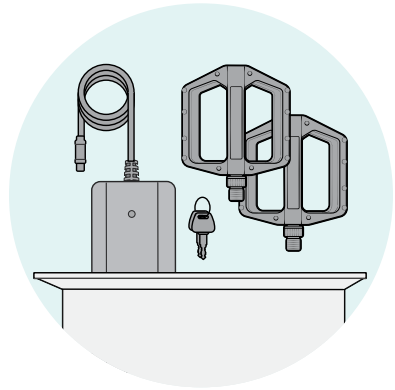
1 Carefully lift each of the bike parts out of the box.

Note: You may need help from another person to lift the bicycle.

IMPORTANT!
Do not discard

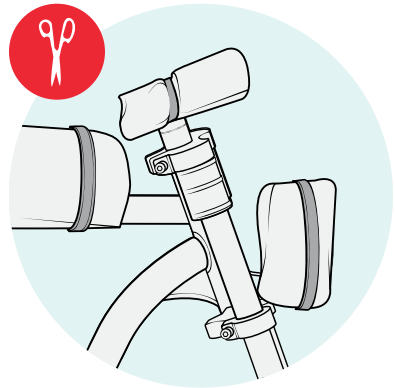


2 Locate the smaller parts box and unpack the pedals, charger, and keys, and set them aside.



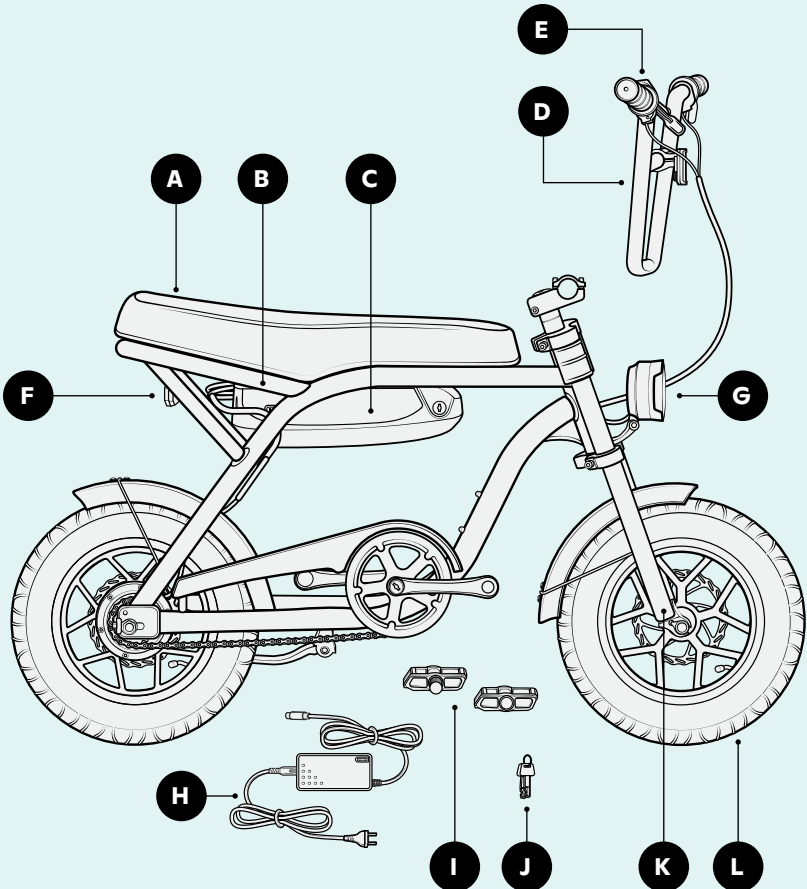
3 Carefully remove the protective packing materials from the bike. Cut away from the bike and parts so you don't damage them.

Note: Inspect for shipping damage and make sure all parts are included.



Parts Reference

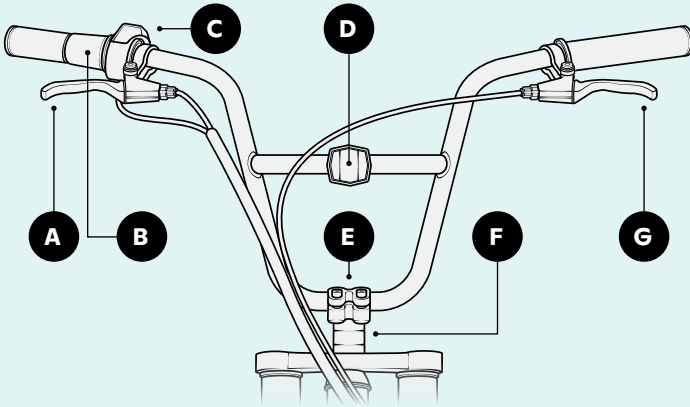
- | | | | |
|----------|----------------|----------|-----------------|
| A | Seat | G | Front LED light |
| B | Bike frame | H | Battery charger |
| C | Battery | I | Pedals |
| D | Handlebars | J | Keys |
| E | Throttle | K | Fork |
| F | Rear LED light | L | Front wheel |



STEP 2

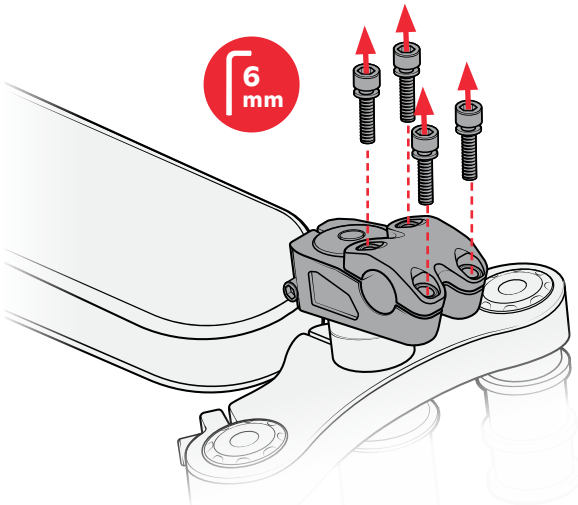
Install the handlebars.

- | | | | |
|----------|-------------------|----------|-------------------|
| A | Rear brake lever | E | Faceplate |
| B | Throttle | F | Stem |
| C | Battery indicator | G | Front brake lever |
| D | Reflector | | |



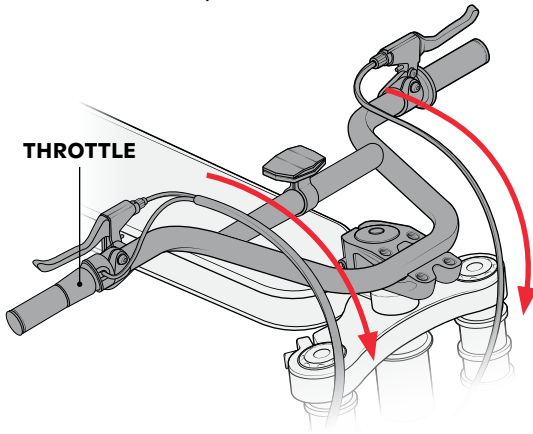
1

Use a 6 mm hex key to remove the four stem face plate bolts. Set the face plate and bolts aside.



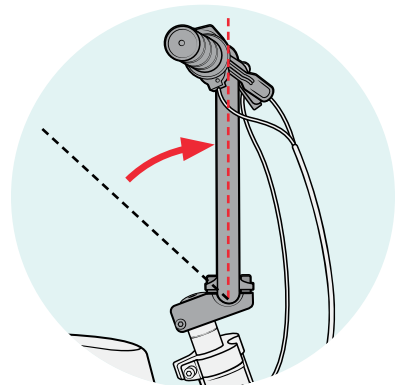
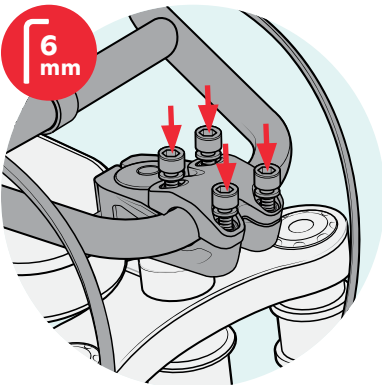
- 2** Place the center of the handlebars inside the stem and lay the top of the handlebars against the bike seat.

IMPORTANT! Ensure the cables run cleanly over the handlebars. When facing the front of the bike, the throttle should be on your left.



- 3** Attach the handlebars by replacing the face plate on the stem and partially tightening the bolts.

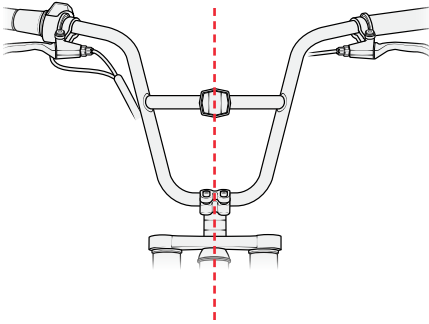
- 4** Lift the handlebars to a vertical position.



STEP 2

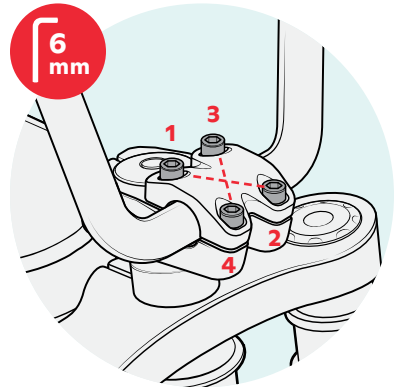
5

Ensure the handlebars are centered in the face plate.



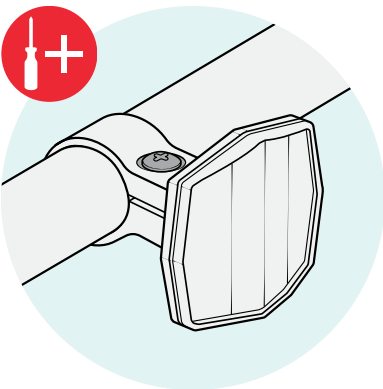
6

Fully tighten the bolts in an alternating X-pattern.



7

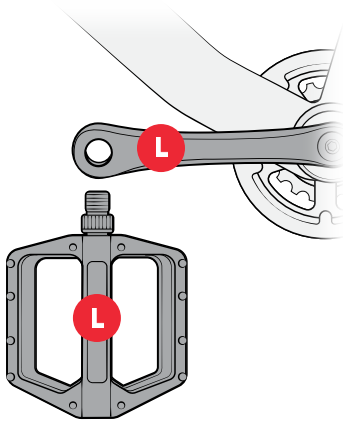
Use a Phillips screwdriver to tighten the front reflector so that it is vertical and faces forward.



Install the pedals.

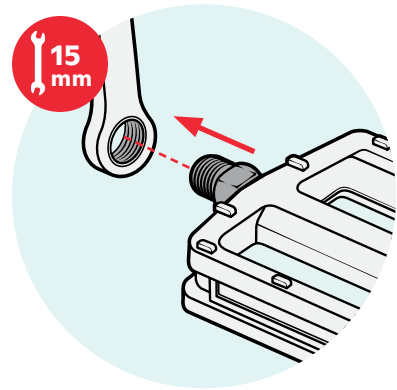
1

Match each pedal with its corresponding crank arm.



2

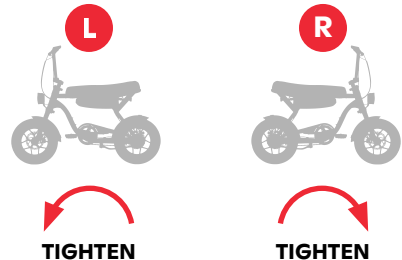
Hand-tighten each pedal by turning the spindle, then fully tighten with the 15 mm open-ended wrench.



Note: If hand-tightening the pedal is difficult, remove it from the crank, reorient it, and try again. Do not cross thread the pedals.

IMPORTANT!

Always tighten pedals by turning the wrench toward the front of the bike.

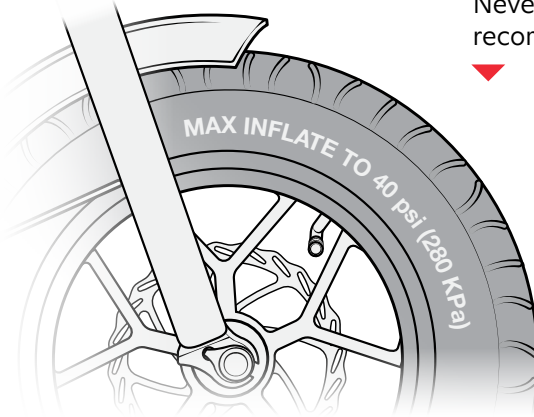


STEP 4

Inflate the tires.

1

Find the recommended PSI printed on the side of the tire.



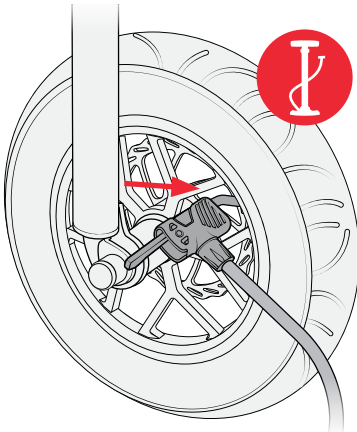
IMPORTANT!

Never exceed the recommended PSI.



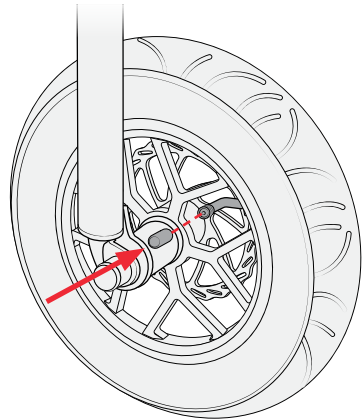
2

Remove the plastic cap from the tire valve, attach the air pump to the open valve, and inflate the tire.



3

Replace the plastic cap and repeat for the other tire.



Charge the battery.

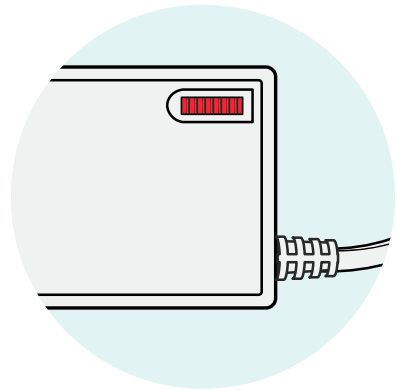
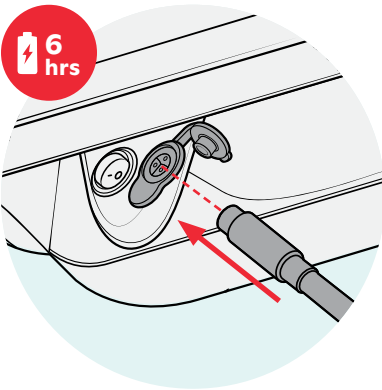
1

IMPORTANT! Use only the original Schwinn charger provided with your e-bike.

Insert the charging cable into the charging port and plug the cable into a power outlet.

2

The red indicator light will come on while the battery is charging. When the battery is fully charged, the indicator light will turn green.



STEP 6

Get ready to ride.

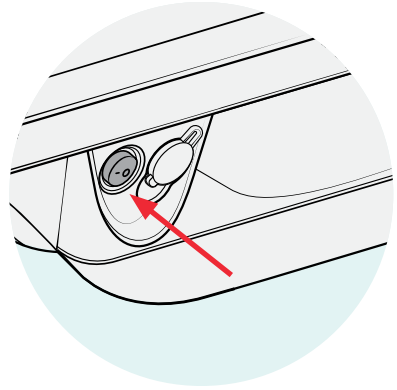
1. Check all parts are secure.
2. Ensure brakes work properly.
3. Wear your helmet!

IMPORTANT! You must read the Schwinn owner's manual before taking your first ride. It contains crucial information about safety, performance, proper use, and maintenance.

Power on the bike.

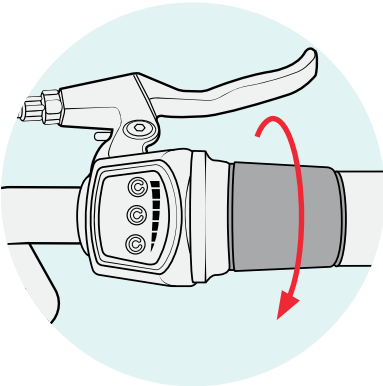
Sit on the seat, ensure the kickstand is up, and toggle the power switch to the ON (-) position. The lights will come on automatically.

Note: After 15 minutes of nonuse, the bike will enter sleep mode. To resume riding, toggle the power switch OFF (O) and back ON (-).



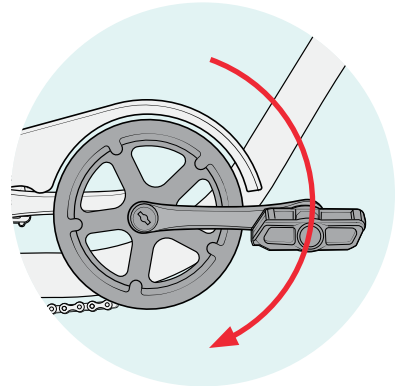
STEP 8

Two ways to go.



THROTTLE

Twist the throttle to propel the bike forward.

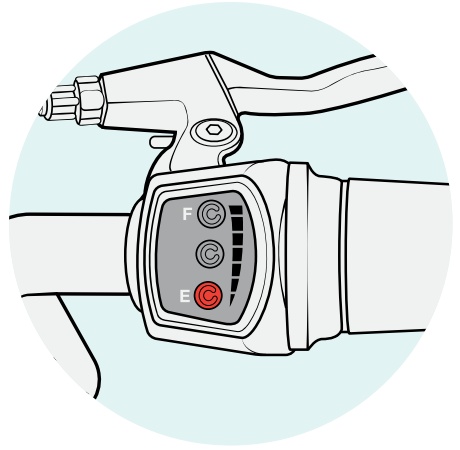


PEDAL ASSIST

Pedal the bike to engage pedal assist and propel the bike forward.

Battery Charge Level Display

The throttle display shows the current battery charge level. When the display shows only a red light, you must charge the battery before continuing to ride.

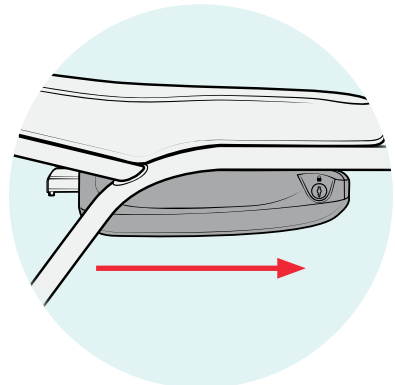
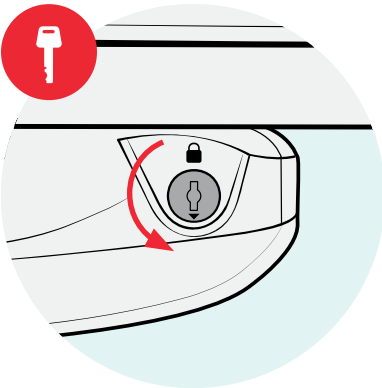


Battery Removal

The battery can be removed for storage or transport.

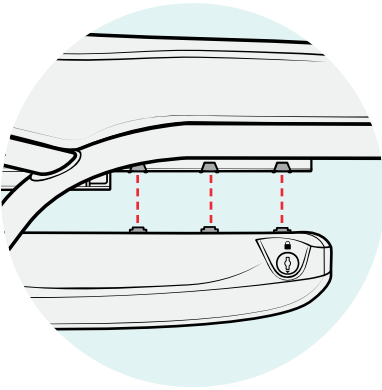
1 To remove the battery, insert the key into the lock and turn it to unlock the battery.

2 While supporting the battery from underneath, slide it forward to disengage it from the battery mount.

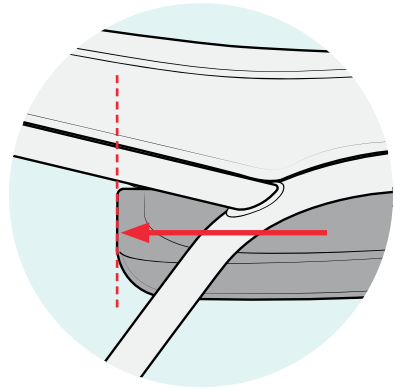


Battery Reinstallation

- 1** Line up the tabs on the top of the battery with the indentations on the side of the battery mount.

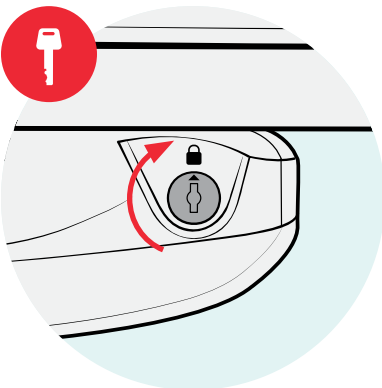


- 2** Slide the battery backward until it is flush with the back of the battery mount.



- 3** Turn the key to lock the battery. Ensure the battery is fully locked before riding the bike.

Note: If the battery is not completely flush with the back of the battery mount, remove it, realign the tabs, and try again.



Roll with us.

1

Register your product

Enjoy worry-free ownership

2

Leave a review

You'll help other riders

3

Stay in the know

All things Schwinn right to your inbox

4

Share your ride on social

Show off your wheels

Get started



[schwinnbikes.com](https://www.schwinnbikes.com)

1-800-626-2811

A01282-092525

SCHWINN 