

# Your new dryer

**Congratulations** - You have chosen a modern, high-quality Neff domestic appliance. The condensation dryer is distinguished by its economical energy consumption. Every dryer which leaves our factory is carefully checked to ensure that it functions correctly and is in perfect condition. Should you have any questions, our after-sales service will be pleased to help.

## Disposal in an environmentally-responsible manner

Dispose of packaging in an environmentally-responsible manner. This appliance is labelled in accordance with the European guideline 2002/96/EG on waste electrical and electronic equipment - WEEE. The guideline provides an EU-wide framework for the return and recycling of old appliances.

For further information about our products, accessories, spare parts and services, please visit: [www.neff.de](http://www.neff.de)

Observe the safety instructions on page 11.

Read these instructions and the separate **Energy-saving mode** instructions before operating the dryer.

## Contents

	Page
Preparation	2
Setting the programmes	2
Drying	3/4
Information on laundry	5
Fine adjustment of the drying result	5/6
Care and cleaning	6
Programme overview	7
Installation	8
Frost protection / Transport	8
Technical data	9
Optional accessories	9
What to do if... / After-sales service	10
Safety instructions	11

Select On/Off for an acoustic signal at end of programme. **(Buzzer)**  
 Reduced temperature for delicate fabrics that require a longer drying time; e.g. for polyacrylics, polyamide, elastane or acetate. **(Low Heat)**  
 Reduces creasing and extends the anti-creasing phase once the program has ended. **(Reduced Ironing)**

## Intended use

- for domestic use only,
- only to be used for drying fabrics that have been washed with water.

Do not leave children unsupervised near the dryer. Keep pets away from the dryer. The dryer can be operated by children 8 years old and older, by persons with reduced physical, sensory or mental abilities and by persons with insufficient experience or knowledge if they are supervised or have been instructed in its use by a responsible adult.

## Preparing for installation, see Page 8

Never start the dryer if it is damaged! Inform your after-sales service.

Make sure your hands are dry. Hold the plug only.

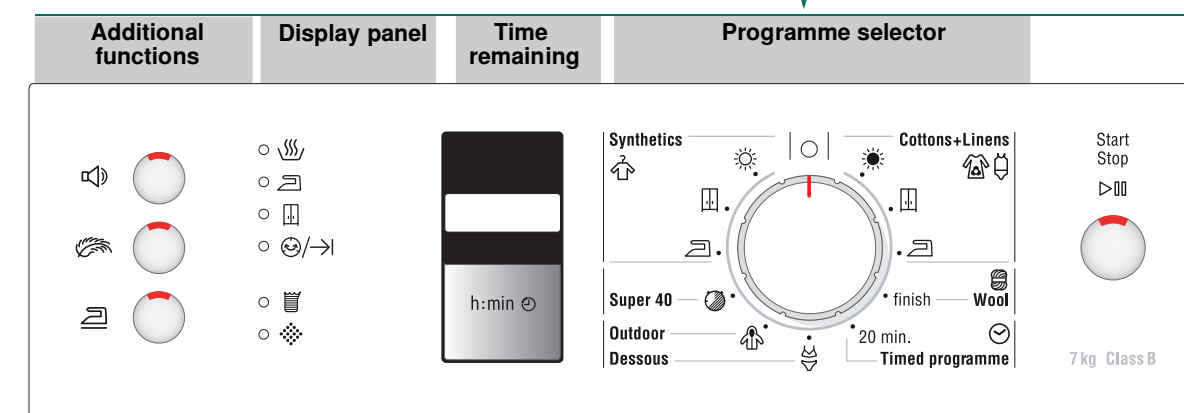
## Sorting and loading laundry

Remove all items from pockets. Check for cigarette lighters. The drum must be empty prior to loading. See programme overview on page 7. See also separate instructions for "Woolens basket" (depending on model)

## Selecting and adjusting the programme

Select the drying programme ...

... and adapt to individual requirements



All buttons are sensitive and only need to be touched lightly.

Press the Start/Stop button

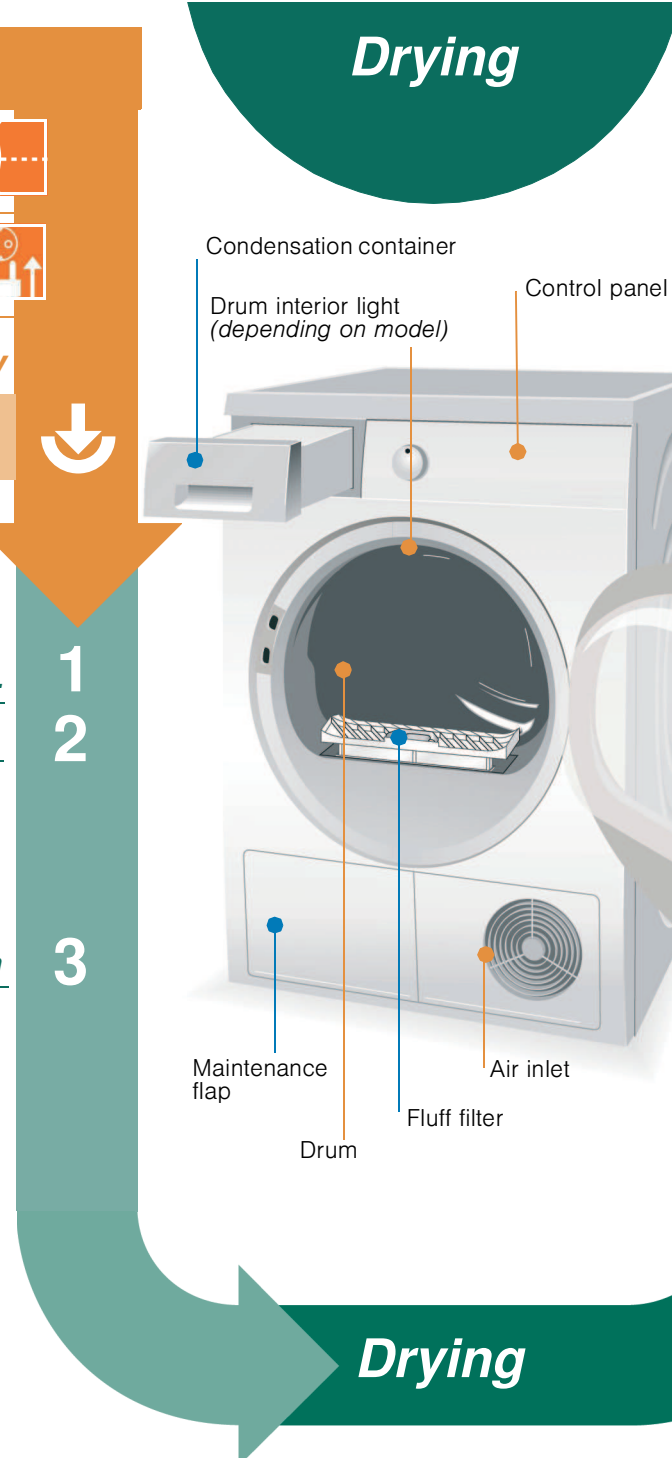
Only operate the dryer with the fluff filter inserted!

Additional functions	Display panel	Time remaining	Programme selector

1

2

3



## Drying

### Emptying condensation

Empty container **after** each drying operation!  
 1. Pull out condensation container keeping it horizontal.  
 2. Pour out condensation.  
 3. Always push container in fully until it clicks into place. If **(Container)** flashes in the display panel → What to do if..., Page 10.

### Cleaning the fluff filter

Clean the fluff filter **after** each drying operation.  
 1. Open the door, remove fluff from door/door area.  
 2. Pull out and fold open the fluff filter.  
 3. Remove the fluff (by wiping the filter with your hand). If the fluff filter is very dirty or blocked, rinse with warm water and dry thoroughly.  
 4. Close and reinsert the fluff filter.

### Switching off the dryer

Turn the programme selector to **(Off)**. Do not leave laundry in the dryer.

### Removing the laundry

The automatic anti-crease function causes the drum to move at specific intervals, the washing remains loose and fluffy for an hour (two hours if the additional **(Reduced Ironing)** function is also selected - depending on model).

### Programme end

once lights up in the display. Interrupt programme removing or adding laundry.

The drying cycle can be interrupted for a brief period so that laundry may be added or removed. The programme selected must then be resumed and completed.

Never switch the dryer off before the drying process has ended. Drum and door may be hot!

- Open door, the drying process is interrupted.
- Load or remove laundry and close door.
- If required, select a new programme and additional functions.
- Press the Start/Stop button.

## Drying

3

## Information on laundry ...

### Labelling of fabrics

Follow the manufacturer's care information.  
 Drying at normal temperature.  
 Drying at low temperature → also select **(Low Heat)**.  
 Do not machine dry.

Observe safety instructions without fail → Page 11! Do not tumble-dry the following fabrics for example:

- Impermeable fabrics (e.g. rubber-coated fabrics).
- Delicate materials (silk or curtains made from synthetic material) → they may crease
- Laundry contaminated with oil.

### Drying tips

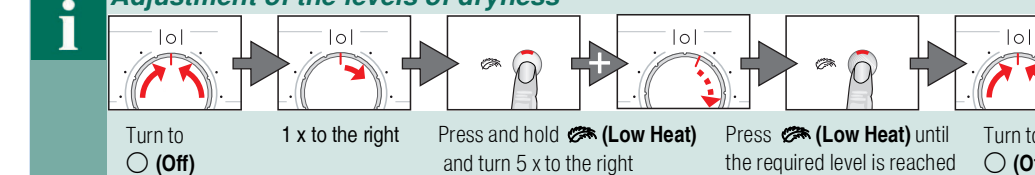
- To ensure a consistent result, sort the laundry by fabric type and drying programme.
- Always dry very small items (e.g. baby socks) together with large items of laundry (e.g. hand towel).
- Close zips, hooks and eyelets, and button up covers. Tie fabric belts, apron strings, etc. together
- Do not over-dry easy-care laundry → risk of creasing! Allow laundry to finish drying in the air.
- Do not dry woolens in the dryer, only use to freshen them up → Page 7, **Wool finish Programme** (depending on model).
- Do not iron laundry immediately after drying, fold items up and leave for a while → the remaining moisture will then be distributed evenly.
- The drying result depends on the type of water used during washing. → Fine adjustment of the drying result → Page 5/6.
- Machine-knitted fabrics (e.g. T-shirts or jerseys) often shrink the first time they are dried → do not use the **(Cupboard Dry Plus)** programme.
- Starched laundry is not always suitable for dryers → starch leaves behind a coating that adversely affects the drying operation.
- Use the correct dosage of fabric softener as per the manufacturer's instructions when washing the laundry to be dried.
- Use the timer programme for small loads → this improves the drying result.

### Environmental protection / Energy-saving tips

- Before drying, spin the laundry thoroughly in the washing machine → the higher the spin speed the shorter the drying time will be (consumes less energy), also spin easy-care laundry.
- Put in, but do not exceed, the maximum recommended quantity of laundry → programme overview → Page 7.
- Make sure the room is well ventilated during drying.
- Do not obstruct or seal up the air inlet.
- Keep the air cooler clean → Page 6 "Care and cleaning".

## Fine adjustment of the drying result

### Adjustment of the levels of dryness



4

## Fine adjustment of the drying result

L:00, L:01, L:02, L:03 are shown in sequence. Short signal when changing from L:03 to L:00, otherwise long signal.

L:01

## Care and cleaning

Only when switched off!

### Dryer housing, control panel, air cooler, moisture sensors

- Wipe with a soft, damp cloth.
- Do not use harsh cleaning agents and solvents.
- Remove detergent and cleaning agent residue immediately.
- During drying, water may collect between the door and seal. This does not affect your dryer's functions in any way.

Clean the protective filter 5 - 6 times a year or if **(Filter)** flashes after cleaning the fluff filter.

### Air cooler / Protective filter

When cleaning, only remove the protective filter. Clean the air cooler behind the protective filter once a year.

- Allow the dryer to cool.
- Residual water may leak out, so place an absorbent towel underneath the maintenance door.

- Unlock the maintenance door.
- Open the maintenance door fully.

- Turn both locking levers towards each other.
- Pull out the protective filter/air cooler.

Do not damage the protective filter or air cooler. Clean with warm water only. Do not use any hard or sharp-edged objects.

- Clean the protective filter/air cooler thoroughly, Allow to drip dry.
- Clean the seals.
- Re-insert the protective filter/air cooler, with the handle facing down.
- Turn back both locking levers.
- Close the maintenance door until the lock clicks into place.

### Moisture sensors

The dryer is fitted with stainless steel moisture sensors. The sensors measure the level of moisture in the laundry. After a long period of operation, a fine layer of limescale may form on the sensors.

- Open the door and clean the moisture sensors with a damp sponge which has a rough surface.

Do not use steel wool or abrasive materials.

6

ing..	iron laundry	lightly iron laundry	do not iron laundry	mangle laundry
<b>TEXTILE TYPE AND INFORMATION</b>				
<b>** Cottons+Linens</b>	max. 7 kg	Hard-wearing fabrics, boil-resistant fabrics made of cotton or linen.		
<b>** Synthetics</b>	max. 3.5 kg	Non-iron laundry made of synthetic fibres and blended fabric, easy-care cotton.		
		Fabrics suitable for ironing (iron fabrics in order to avoid creasing).		
		Single-layer fabrics.		
		Fabrics made of thick, multilayered items of clothing.		
<b>Wool finish</b>	max. 3 kg	Woolen fabrics suitable for washing machines. Fabrics become fluffier but not dry. Remove fabrics once the programme has ended and allow to dry.		
<b>Outdoor</b>	max. 1.5 kg	Fabrics with membrane coating, water-repellent fabrics, functional clothing, fleece fabrics (dry jackets/trousers) with removable internal lining (separately).		
<b>Dessous</b>	max. 1 kg	Lingerie made of synthetic fibres, cotton or blended fabric.		
<b>Super 40</b>	max. 2 kg	Laundry made of synthetic fibres, cotton or blended fabrics (for example) that needs to be dried quickly. The values may differ from the those specified depending on the type of fabric, mixture of laundry to be dried, residual moisture in the fabric and loading capacity.		
<b>Timed programme 20 min.</b>	max. 3 kg	Pre-dried, multilayered, sensitive fabrics made of acrylic fibres, or separate small items of laundry. Also for subsequent drying.		

\*for Cottons+Linens and Synthetics programmes only  
 \*\*Dryness levels can be selected individually → (Cupboard Dry Plus) / (Very Dry), (Iron Dry), (Cupboard Dry) and (Iron Dry) (depending on the model).  
 Degree of dryness can be finely adjusted: multi-layered textiles require a longer drying time than single-layered items of clothing. Recommendation: Dry separately.

9212 / 9000849663

R7380X1EU



7

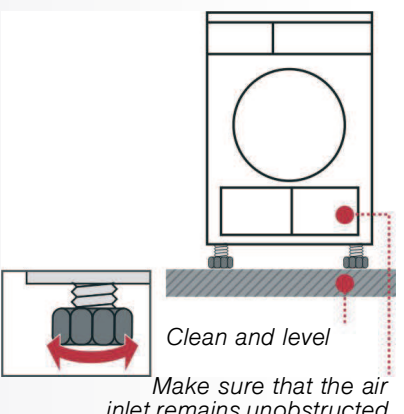
## Installation

- Delivery specification: dryer, instructions for installation and use, woollens basket (depending on model).
- Check dryer for transport damage.
- The dryer is very heavy. Do not attempt to lift it on your own.
- Be careful to avoid sharp edges.
- Do not lift the dryer by any of the protruding parts (e.g. the door) as they may break off.
- Do not set up in a room that is susceptible to frost.
- Freezing water may cause damage.
- If in doubt, have the appliance connected by an expert.

### 1. Setting up the dryer

- The appliance plug must always be accessible.
- Ensure that the appliance is installed on a clean, level and solid surface.
- Keep the cooling grille at the front of the dryer unobstructed.
- Keep the area around the dryer clean.
- Make the dryer level using the threaded feet and a spirit level.
- Do not remove the threaded feet under any circumstances.

Take all accessory parts out of the drum. The drum must be empty.



Do not set up the dryer behind a door or sliding door as this may obstruct or prevent the dryer door from opening. This will prevent a potentially fatal danger to children from locking themselves in.

### 2. Mains connection

- Connect to an AC earthed socket. If in doubt have the socket checked by an expert.
- The mains voltage and the voltage shown on the rating plate (→ Page 9) must correspond.
- The connected load and necessary fuse protection are specified on the rating plate.

### 3. Converting the installed load

Note the fuse protection of the socket.

Feedback (depending on model):	10 A	Lo	off
	16 A	hi	flashes

### Frost protection / Transport

- Do not operate the dryer if there is a danger of frost.
1. Empty the condensation container → page 4.
  2. Select any programme using the programme selector.
  3. Press the Start/Stop button → condensation is pumped into the container.
  4. Wait 5 min., and then empty the condensation container again.
  5. Turn the programme selector to (Off).

8

## Technical data

● <b>Dimensions (DxWxH)</b>	60 x 60 x 85 cm (height adjustable)
<b>Weight</b>	approximately 45 kg
<b>Max. capacity</b>	7 kg
<b>Condensation container</b>	4.2 l
<b>Connection voltage</b>	
<b>Connected load</b>	
<b>Fuse protection</b>	see appliance rating plate
<b>Ambient temperature</b>	
<b>Product number/ Production number</b>	

You can find the rating plate on the back of the dryer.  
 ● **Drum interior light (depending on model) (bulb E14, 25 W)**  
 The drum lights up after the door is opened or closed, and after the programme starts, and switches off automatically. Changing the bulb → page 10.

## Consumption rates

(The value on the label is achieved at the maximum heat setting.)

Fabrics/programmes	Residual moisture in the fabrics after spinning		Drying time**		Energy consumption**	
	10 A	16 A	10 A	16 A	10 A	16 A
<b>Cottons+Linens 7 kg</b>						
☰ (Cupboard Dry)*	1400 rpm (50%)	112 min	98 min	3.54 kWh	3.54 kWh	
	1000 rpm (60%)	131 min	115 min	4.13 kWh	4.13 kWh	
	800 rpm (70%)	150 min	133 min	4.72 kWh	4.72 kWh	
☷ (Iron Dry)*	1400 rpm (50%)	93 min	69 min	2.55 kWh	2.55 kWh	
	1000 rpm (60%)	111 min	82 min	3.22 kWh	3.22 kWh	
	800 rpm (70%)	130 min	94 min	3.90 kWh	3.90 kWh	
<b>Synthetics 3.5 kg</b>						
☰ (Cupboard Dry)*	800 rpm (40%)	48 min	42 min	1.35 kWh	1.35 kWh	
	600 rpm (50%)	60 min	51 min	1.65 kWh	1.65 kWh	

\* Programme setting for testing in accordance with applicable standard EN61121.  
 \*\* The values may differ from those specified, depending on the type of fabric, composition of laundry to be dried, residual moisture in the fabric and the amount of laundry being loaded.  
**Fabrics/programmes**      **Drying time**      **Annual energy consumption**  
 ☰ Cottons+Linens 7 kg / 3.5 kg\*      89 min / per cycle      497 kWh / per year  
 ☰ (Cupboard Dry)\*\*\*      89 min / per cycle      497 kWh / per year  
 \*\*\*Programme setting for testing and energy labelling in accordance with Directive 2010/30/EU.

## Optional accessories

(from after-sales service using order number)

WZ 20310	<b>Washer-dryer stack connection set</b> The dryer can be placed on top of a suitable washing machine with the same width and depth to save space. The dryer <b>must be</b> fastened to the washing machine using this connection set. With pull-out worktop: WZ 20300
WZ 20160	<b>Connection fittings for condensation outlet</b> The condensation is conveyed directly via a hose.
WZ 20290	<b>Installation underneath the worktop</b> Instead of the appliance covering plate, you <b>must</b> have a metal cover fitted by a specialist.

9

## What to do if ...

- ! If you cannot rectify a fault yourself (e.g. switching off/on), please contact our after-sales service. We will always find an appropriate solution and will avoid unnecessary visits by engineers. Trust the expertise of the manufacturer and rest assured that the repair will be carried out by trained service technicians using original spare parts. The contact details of your local after-sales service can be found in the enclosed **after-sales service** directory, or by calling one of these numbers:  
 - GB 0844 892 8989 (Calls from a BT landline will be charged at up to 3 pence per minute. A call set-up fee of up to 6 pence may apply.)  
 - IE 01450 2655  
 When contacting the after-sales service, please quote the appliance's product number (E no.) and production number (FD) (see the inside of the door). Set the programme selector to (Off) and remove the appliance plug from the socket.
- The Start/Stop indicator lamp does not light up. Mains plug plugged in? Programme selected? Check the socket fuse.
- The display panel light and indicator lights (depending on model) go out and the Start/Stop indicator light flashes. Energy-saving mode is activated → see the separate Energy-saving mode instructions.
- The (Container) and Start/Stop indicator lights are flashing. Empty the condensation container. If featured, check hose for condensation outlet.
- The dryer does not start. Start/Stop button selected? Door closed? Programme set? Ambient temperature greater than 5 °C?
- Water is running out. Align dryer horizontally. Clean air cooler seal.
- The door opens by itself. Push the door closed until you hear it engage.
- Creasing. Laundry load exceeded? Remove articles of clothing immediately after the end of the programme, hang up and pull into shape. Unsuitable programme selected → Page 7.
- Drying result is not satisfactory (laundry feels too damp). Warm laundry feels damper than it actually is. The selected programme does not suit the load. Use another drying programme or, in addition, select the time programme → Page 7. Use fine adjustment for the drying result → Page 5/6. Fine layer of limescale on the humidity sensors → Clean the humidity sensors → Page 6. Programme termination, e.g. tank full, mains power supply failure, door open or maximum drying time reached.
- Drying time too long. Rinse the fluff filters under running water → Page 4. Insufficient supply of air → ensure that air can circulate. Air inlet possibly blocked → Clear inlet → Page 8. Ambient temperature higher than 35 °C → ventilate the room.
- The humidity in the room increases significantly. Make sure the room is sufficiently ventilated.
- Mains failure. Remove laundry from the dryer immediately and spread out. This allows the heat to dissipate.
- One or more indicator lights for programme status are flashing. Clean filter and air cooler → Page 4/6. Check installation conditions → Page 8. Switch off, leave to cool down, switch on again, restart programme.
- The interior light is not working (depending on model). Pull out the appliance plug, remove the cover cap in the interior above the door (use Torx 20 screw driver) and replace the bulb. Close the cover cap. Never operate the dryer without a cover cap.

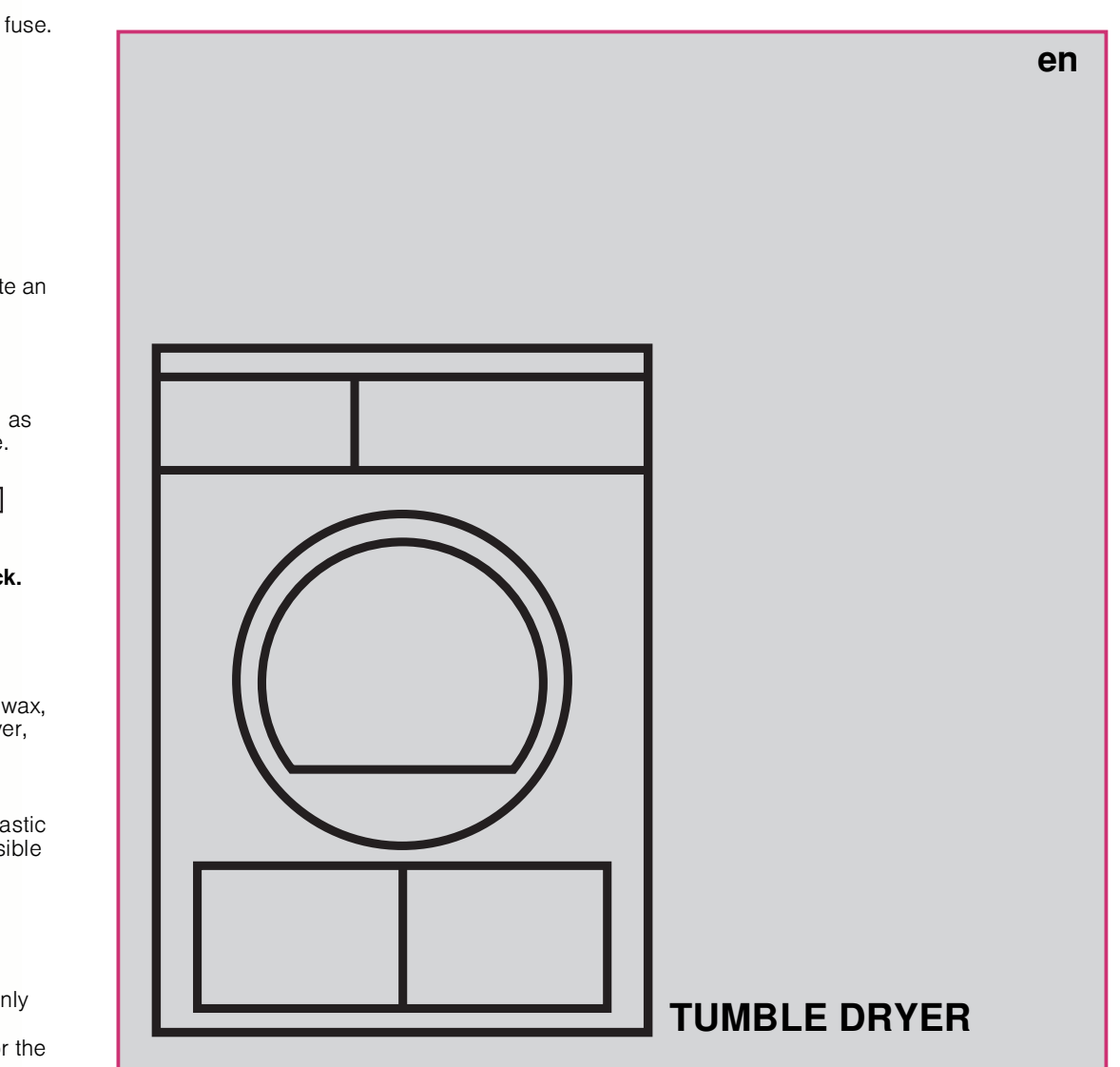
10

## Safety instructions

- ! **Emergency** - Pull the appliance plug out of the socket immediately or disconnect the fuse.
- ! **ONLY use the dryer...** - in rooms inside the house. - to dry fabrics.
- ! **The dryer must NEVER...** - be used for other purposes than those described above. - be modified in terms of its technology or attributes.
- ! **Dangers** - The dryer must not be used by children or persons who have not been instructed in its use. - Do not leave children unsupervised near the dryer. - Keep pets away from the dryer. - Remove all objects from pockets. Make especially sure that cigarette lighters are removed as they constitute an **explosion hazard**. - Do not lean or sit on the door → **risk of tipping**.
- ! **Installation** - Secure loose cables → **tripping hazard**. - Do not operate the dryer if there is a risk of frost.
- ! **Mains connection** - Connect the dryer according to specifications to an AC earthed socket, as otherwise it cannot be guaranteed that the appliance is completely safe. - The cable cross-section must be sufficient. - Only use earth-leakage circuit breakers with the following symbol: ☒ - The appliance plug and socket must be compatible. - Do not use multiple plugs/couplings and/or extension cables. - Do not hold the appliance plug with wet hands → **risk of electric shock**. - Never pull the appliance plug out of the socket by its cable. - Do not damage the mains lead → **risk of electric shock**.
- ! **Operation** - Only load the drum with laundry. Check the contents before you switch the dryer on. - Do not use the dryer if the laundry has been in contact with solvents, oil, wax, grease or paint (e.g. hair setting spray, nail polish remover, stain remover, cleaning solvent, etc.) → **fire/explosion hazard**. - Dust (e.g. coal dust, flour) poses a danger: do not use the dryer → **explosion hazard**. - Do not put laundry containing foamed material/rubber in the dryer → elastic material may be destroyed and the dryer may be damaged due to possible deformation of the foamed material. - Switch off the dryer once the programme has ended. - Condensation is not drinking water and may be contaminated with fluff.
- ! **Defect** - Do not use the dryer if it is defective or if you suspect it is. Repairs must only be carried out by the after-sales service. - Do not use the dryer if the mains cable is defective. To avoid danger, only have the defective mains cable replaced by the after-sales service. - Always pull the mains plug out of the socket before changing the bulb for the interior light → **risk of electric shock**.
- ! **Spare parts** - Only use genuine spare parts and accessories for safety reasons.
- ! **Disposal** - Dryer: pull out the appliance plug, **then** cut off the mains cable from the appliance. Dispose of at municipal waste disposal facility. - Packaging: do not leave children alone with packing parts → **risk of suffocation**. - All materials are environmentally sound and can be reused. Dispose of in an environmentally-responsible manner.

11

## INSTRUCTIONS FOR INSTALLATION AND USE



en

11



# Your new dryer

**Congratulations** - You have chosen a modern, high-quality Neff domestic appliance. The condensation dryer is distinguished by its economical energy consumption. Every dryer which leaves our factory is carefully checked to ensure that it functions correctly and is in perfect condition. Should you have any questions, our after-sales service will be pleased to help.

**Disposal in an environmentally-responsible manner**  
Dispose of packaging in an environmentally-responsible manner. This appliance is labelled in accordance with the European guideline 2002/96/EG on waste electrical and electronic equipment - WEEE. The guideline provides an EU-wide framework for the return and recycling of old appliances.

For further information about our products, accessories, spare parts and services, please visit: [www.neff.de](http://www.neff.de)



Observe the safety instructions on page 11.



Read these instructions and the separate **Energy-saving mode** instructions before operating the dryer.

## Contents

	Page
Preparation	2
Setting the programmes	2
Drying	3/4
Information on laundry	5
Fine adjustment of the drying result	5/6
Care and cleaning	6
Programme overview	7
Installation	8
Frost protection / Transport	8
Technical data	9
Optional accessories	9
What to do if... / After-sales service	10
Safety instructions	11

Select On/Off for a acoustic signal at end of programme.	<b>(Buzzer)</b>
Reduced temperature for delicate fabrics that require a longer drying time; e.g. for polyacrylics, polyamide, elastane or acetate.	<b>(Low Heat)</b>
Reduces creasing and extends the anti-creasing phase once the program has ended.	<b>(Reduced Ironing)</b>

## Intended use

- for domestic use only,
- only to be used for drying fabrics that have been washed with water.



Do not leave children unsupervised near the dryer. Keep pets away from the dryer. The dryer can be operated by children 8 years old and older, by persons with reduced physical, sensory or mental abilities and by persons with insufficient experience or knowledge if they are supervised or have been instructed in its use by a responsible adult.

## Preparing for installation, see Page 8



Never start the dryer if it is damaged! Inform your after-sales service.



Make sure your hands are dry. Hold the plug only.



Remove all items from pockets. Check for cigarette lighters. The drum must be empty prior to loading.

See programme overview on page 7. See also separate instructions for "Woollens ba (depending on model)

## Selecting and adjusting the

Select the d

... and adapt to indiv

Additional functions	Display panel	Time remaining	Programme selector



All buttons are need to be tou

Press the >



Only operate the fluff filter i

<b>h:min</b>	End of programme in 1*-24 hours (Press button several times if required) (*depending on the selected programme, e.g. duration 1:54h → 2h. Can always be selected to the next full hour.)
<b>Fine adjustment of the drying result</b>	The drying result (e.g. Cupboard Dry) can be adjusted over three levels (1 - max. 3) for the <b>Cottons+Linens</b> , <b>Synthetics</b> and <b>Super 40</b> programmes → presetting. After one of these programmes has been finely adjusted, the setting is retained for the next programme. Further information → Page 5/6.
<b>(Container)</b>	Empty the condensation container.
<b>(Filter)</b>	Clean the fluff filter and/or air cooler under running water. → Page 4/6.

Inspecting the dryer

Connecting the mains plug

Loading laundry

basket"

the programme

dry programme ...

Individual requirements

sensitive and only  
dried lightly.

Start/Stop button

the dryer with  
inserted!

g = 0,  
e others.

# Drying

Condensation container

Drum interior light  
(depending on model)

Control panel

Maintenance flap

Drum

Fluff filter

Air inlet



1  
2

3

# Drying

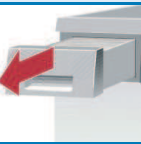


## Emptying condensation

Empty container **after** each drying operation!

1. Pull out condensation container keeping it horizontal.
2. Pour out condensation.
3. Always push container in fully until it clicks into place.

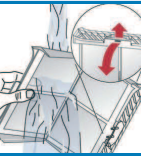
If (Container) flashes in the display panel →  
What to do if..., Page 10.



## Cleaning the fluff filter

Clean the fluff filter **after** each drying operation.

1. Open the door, remove fluff from door/door area.
2. Pull out and fold open the fluff filter.
3. Remove the fluff (by wiping the filter with your hand).  
If the fluff filter is very dirty or blocked, rinse with warm water and dry thoroughly.
4. Close and reinsert the fluff filter.



## Switching off the dryer

Turn the programme selector to (Off).  
Do not leave laundry in the dryer.



## Removing the laundry

The automatic anti-crease function causes the drum to move at specific intervals, the washing remains loose and fluffy for an hour (two hours if the additional (Reduced Ironing) function is also selected-  
depending on model).

**Programme end** once lights up in the display.

**Interrupt programme** removing or adding laundry.



The drying cycle can be interrupted for a brief period so that laundry may be added or removed. The programme selected must then be resumed and completed.



**Never switch the dryer off before the drying process has ended.**  
Drum and door may be hot!

1. Open door, the drying process is interrupted.
2. Load or remove laundry and close door.
3. If required, select a new programme and additional functions.
4. Press the **Start/Stop** button.



# Information on laundry ...



## Labelling of fabrics

Follow the manufacturer's care information.

- ☑ Drying at normal temperature.
- ☑ Drying at low temperature → also select (Low Heat).
- ☒ Do not machine dry.



Observe safety instructions without fail → Page 11!

Do not tumble-dry the following fabrics for example:

- Impermeable fabrics (e.g. rubber-coated fabrics).
- Delicate materials (silk or curtains made from synthetic material) → they may crease
- Laundry contaminated with oil.



## Drying tips

- To ensure a consistent result, sort the laundry by fabric type and drying programme.
- Always dry very small items (e.g. baby socks) together with large items of laundry (e.g. hand towel).
- Close zips, hooks and eyelets, and button up covers.
- Tie fabric belts, apron strings, etc. together
- Do not over-dry easy-care laundry → risk of creasing!  
Allow laundry to finish drying in the air.
- Do not dry woolens in the dryer, only use to freshen them up → Page 7, **Wool finish Programme** (depending on model).
- Do not iron laundry immediately after drying, fold items up and leave for a while → the remaining moisture will then be distributed evenly.
- The drying result depends on the type of water used during washing. → Fine adjustment of the drying result → Page 5/6.
- Machine-knitted fabrics (e.g. T-shirts or jerseys) often shrink the first time they are dried → do not use the (**Cupboard Dry Plus**) programme.
- Starched laundry is not always suitable for dryers → starch leaves behind a coating that adversely affects the drying operation.
- Use the correct dosage of fabric softener as per the manufacturer's instructions when washing the laundry to be dried.
- Use the timer programme for small loads → this improves the drying result.

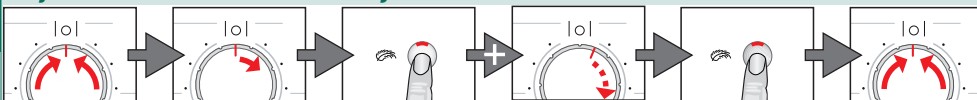
## Environmental protection / Energy-saving tips

- Before drying, spin the laundry thoroughly in the washing machine → the higher the spin speed the shorter the drying time will be (consumes less energy), also spin easy-care laundry.
- Put in, but do not exceed, the maximum recommended quantity of laundry → programme overview → Page 7.
- Make sure the room is well ventilated during drying.
- Do not obstruct or seal up the air inlet.
- Keep the air cooler clean → Page 6 "Care and cleaning".

# Fine adjustment of the drying result



## Adjustment of the levels of dryness



- Turn to (Off)      1 x to the right      Press and hold (Low Heat) and turn 5 x to the right      Press (Low Heat) until the required level is reached      Turn to (Off)

# Fine adjustment of the drying result



L:00, L:01, L:02, L:03 are shown in sequence  
Short signal when changing from L:03 to L:00, otherwise long signal.

L:01

## Care and cleaning



Only when switched off!

### Dryer housing, control panel, air cooler, moisture sensors

- Wipe with a soft, damp cloth.
- Do not use harsh cleaning agents and solvents.
- Remove detergent and cleaning agent residue immediately.
- During drying, water may collect between the door and seal.  
This does not affect your dryer's functions in any way.

Clean the protective filter 5 - 6 times a year  
or if (**Filter**) flashes after cleaning the fluff filter.

### Air cooler / Protective filter

When cleaning, only remove the protective filter. Clean the air cooler behind the protective filter once a year.

- Allow the dryer to cool.
- Residual water may leak out, so place an absorbent towel underneath the maintenance door.

1. Unlock the maintenance door.
2. Open the maintenance door fully.

3. Turn both locking levers towards each other.
4. Pull out the protective filter/air cooler.



Do not damage the protective filter or air cooler.  
Clean with warm water only. Do not use any hard or sharp-edged objects.

5. Clean the protective filter/air cooler thoroughly, Allow to drip dry.
6. Clean the seals.
7. Re-insert the protective filter/air cooler, with the handle facing down.
8. Turn back both locking levers.
9. Close the maintenance door until the lock clicks into place.

### Moisture sensors

The dryer is fitted with stainless steel moisture sensors. The sensors measure the level of moisture in the laundry. After a long period of operation, a fine layer of limescale may form on the sensors.

1. Open the door and clean the moisture sensors with a damp sponge which has a rough surface.



Do not use steel wool or abrasive materials.

Sort the laundry according to type of textile and fabric. Fabrics must be suitable for tumble drying.

After drying...	iron laundry	lightly iron laundry	do not iron laundry	mangle laundry
<b>PROGRAMMES</b>				
<b>TEXTILE TYPE AND INFORMATION</b>				
<b>Cottons+Lins</b>	max. 7 kg	Hard-wearing fabrics, boil-resistant fabrics made of cotton or linen.		
<b>Synthetics</b>	max. 3.5 kg	Non-iron laundry made of synthetic fibres and blended fabric, easy-care cotton.		
(Iron Dry)		Fabrics suitable for ironing (iron fabrics in order to avoid creasing).		
(Cupboard Dry)		Single-layer fabrics.		
(Cupboard Dry Plus) / (Very Dry)		Fabrics made of thick, multilayered items of clothing.		
<b>Wool finish</b>	max. 3 kg	Woolen fabrics suitable for washing machines. Fabrics become fluffier but not dry. Remove fabrics once the programme has ended and allow to dry.		
<b>Outdoor</b>	max. 1.5 kg	Fabrics with membrane coating, water-repellent fabrics, functional clothing, fleece fabrics (dry jackets/trousers with removable internal lining separately).		
<b>Dessous</b>	max. 1 kg	Lingerie made of synthetic fibres, cotton or blended fabric.		
<b>Super 40</b>	max. 2 kg	Laundry made of synthetic fibres, cotton or blended fabrics (for example) that needs to be dried quickly. The values may differ from those specified depending on the type of fabric, mixture of laundry to be dried, residual moisture in the fabric and loading capacity.		
<b>Timed programme 20 min.</b>	max. 3 kg	Pre-dried, multi-layered, sensitive fabrics made of acrylic fibres, or separate small items of laundry. Also for subsequent drying.		

\*for Cottons+Lins and Synthetics programmes only

\*\*Dryness levels can be selected individually → (Cupboard Dry Plus) / (Very Dry), (Cupboard Dry) and (Iron Dry) (depending on the model).

Degree of dryness can be finely adjusted; multi-layered textiles require a longer drying time than single-layered items of clothing. Recommendation: Dry separately.

9212 / 9000849653



R7380X1EU

## Installation

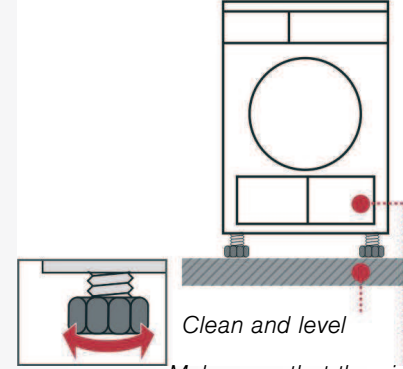
- Delivery specification: dryer, instructions for installation and use, woollens basket (depending on model).
- Check dryer for transport damage.
- The dryer is very heavy. Do not attempt to lift it on your own.
- Be careful to avoid sharp edges.
- Do not lift the dryer by any of the protruding parts (e.g. the door) as they may break off.
- Do not set up in a room that is susceptible to frost. Freezing water may cause damage.
- If in doubt, have the appliance connected by an expert.

### 1. Setting up the dryer

- The appliance plug must always be accessible.
- Ensure that the appliance is installed on a clean, level and solid surface.
- Keep the cooling grille at the front of the dryer unobstructed.
- Keep the area around the dryer clean.
- Make the dryer level using the threaded feet and a spirit level. Do not remove the threaded feet under any circumstances.



Take all accessory parts out of the drum. The drum must be empty.



Clean and level

Make sure that the air inlet remains unobstructed



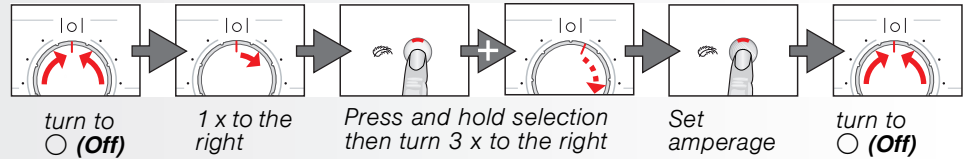
Do not set up the dryer behind a door or sliding door as this may obstruct or prevent the dryer door from opening. This will prevent a potentially fatal danger to children from locking themselves in.

### 2. Mains connection see safety instructions → Page 11.

- Connect to an AC earthed socket. If in doubt have the socket checked by an expert.
- The mains voltage and the voltage shown on the rating plate (→ Page 9) must correspond.
- The connected load and necessary fuse protection are specified on the rating plate.

### 3. Converting the installed load Note the fuse protection of the socket.

10/16 Amps



Feedback (depending on model):

10 A	Lo	🔊	○	off
16 A	h <sub>1</sub>	🔊	☀️	flashes

## Frost protection / Transport



Do not operate the dryer if there is a danger of frost.



### Preparation

1. Empty the condensation container → page 4.
2. Select any programme using the programme selector.
3. Press the ▶ Start/Stop button → condensation is pumped into the container.
4. Wait 5 min., and then empty the condensation container again.
5. Turn the programme selector to ○ (Off).

## Technical data

● <b>Dimensions (DxWxH)</b>	60 x 60 x 85 cm (height adjustable)
<b>Weight</b>	approximately 45 kg
<b>Max. capacity</b>	7 kg
<b>Condensation container</b>	4.2 l
<b>Connection voltage</b>	
<b>Connected load</b>	
<b>Fuse protection</b>	see appliance rating plate
<b>Ambient temperature</b>	
<b>Product number/ Production number</b>	

You can find the rating plate on the back of the dryer.

- **Drum interior light** (depending on model) (bulb E14, 25 W)  
The drum lights up after the door is opened or closed, and after the programme starts, and switches off automatically. Changing the bulb → page 10.

## Consumption rates (The value on the label is achieved at the maximum heat setting.)

Fabrics/programmes	Residual moisture in the fabrics after spinning		Drying time**		Energy consumption**	
			10 A	16 A	10 A	16 A
<b>Cottons+Linens 7 kg</b> (Cupboard Dry)*	1400 rpm	(50%)	112 min	98 min	3.54 kWh	3.54 kWh
	1000 rpm	(60%)	131 min	115 min	4.13 kWh	4.13 kWh
	800 rpm	(70%)	150 min	133 min	4.72 kWh	4.72 kWh
	1400 rpm	(50%)	93 min	69 min	2.55 kWh	2.55 kWh
(Iron Dry)*	1000 rpm	(60%)	111 min	82 min	3.22 kWh	3.22 kWh
	800 rpm	(70%)	130 min	94 min	3.90 kWh	3.90 kWh
	800 rpm	(40%)	48 min	42 min	1.35 kWh	1.35 kWh
<b>Synthetics 3.5 kg</b> (Cupboard Dry)*	600 rpm	(50%)	60 min	51 min	1.65 kWh	1.65 kWh

\* Programme setting for testing in accordance with applicable standard EN61121.  
 \*\* The values may differ from those specified, depending on the type of fabric, composition of laundry to be dried, residual moisture in the fabric and the amount of laundry being loaded.

Fabrics/programmes	Drying time	Annual energy consumption
<b>Cottons+Linens 7 kg / 3.5 kg*</b> (Cupboard Dry)***	89 min / per cycle	497 kWh / per year

\*\*\* Programme setting for testing and energy labelling in accordance with Directive 2010/30/EU.

## Optional accessories (from after-sales service using order number)

**WZ 20310 Washer-dryer stack connection set**  
 The dryer can be placed on top of a suitable washing machine with the same width and depth to save space. The dryer **must be** fastened to the washing machine using this connection set. With pull-out worktop: WZ 20300

**WZ 20160 Connection fittings for condensation outlet**  
 The condensation is conveyed directly via a hose.

**WZ 20290 Installation underneath the worktop**  
 Instead of the appliance covering plate, you **must** have a metal cover fitted by a specialist.

## What to do if ...



If you cannot rectify a fault yourself (e.g. switching off/on), please contact our after-sales service. We will always find an appropriate solution and will avoid unnecessary visits by engineers. Trust the expertise of the manufacturer and rest assured that the repair will be carried out by trained service technicians using original spare parts. The contact details of your local after-sales service can be found in the enclosed **after-sales service** directory, or by calling one of these numbers:


- **GB** 0844 892 8989 (Calls from a BT landline will be charged at up to 3 pence per minute. A call set-up fee of up to 6 pence may apply.)
- **IE** 01450 2655

When contacting the after-sales service, please quote the appliance's product number (E no.) and production number (FD) (see the inside of the door). Set the programme selector to **○ (Off)** and remove the appliance plug from the socket.

- The **▷ Start/Stop** indicator lamp does not light up. Mains plug plugged in? Programme selected? Check the socket fuse.
- The display panel light and indicator lights (depending on model) go out and the **▷ Start/Stop** indicator light flashes. Energy-saving mode is activated → see the separate *Energy-saving mode* instructions.
- The **☒ (Container)** and **▷ Start/Stop** indicator lights are flashing. Empty the condensation container. If featured, check hose for condensation outlet.
- The **❖ (Filter)** and **▷ Start/Stop** indicator lights are flashing. Clean the fluff filter and/or air cooler under running water → Page 4/6.
- Dryer does not start. **▷ Start/Stop** button selected? Door closed? Programme set? Ambient temperature greater than 5 °C?
- Water is running out. Align dryer horizontally. Clean air cooler seal.
- The door opens by itself. Push the door closed until you hear it engage.
- Creasing. Laundry load exceeded? Remove articles of clothing immediately after the end of the programme, hang up and pull into shape. Unsuitable programme selected → Page 7.
- Drying result is not satisfactory (laundry feels too damp). Warm laundry feels damper than it actually is. The selected programme does not suit the load. Use another drying programme or, in addition, select the time programme → Page 7. Use fine adjustment for the drying result → Page 5/6. Fine layer of limescale on the humidity sensors → Clean the humidity sensors → Page 6. Programme termination, e.g. tank full, mains power supply failure, door open or maximum drying time reached.
- Drying time too long. Rinse the fluff filters under running water → Page 4. Insufficient supply of air → ensure that air can circulate. Air inlet possibly blocked → Clear inlet → Page 8. Ambient temperature higher than 35 °C → ventilate the room.
- The humidity in the room increases significantly. Make sure the room is sufficiently ventilated.
- Mains failure. Remove laundry from the dryer immediately and spread out. This allows the heat to dissipate.
- One or more indicator lights for programme status are flashing. Clean filter and air cooler → Page 4/6. Check installation conditions → Page 8. Switch off, leave to cool down, switch on again, restart programme.
- The interior light is not working (depending on model). Pull out the appliance plug, remove the cover cap in the interior above the door (use Torx 20 screw driver) and replace the bulb. Close the cover cap. Never operate the dryer without a cover cap.

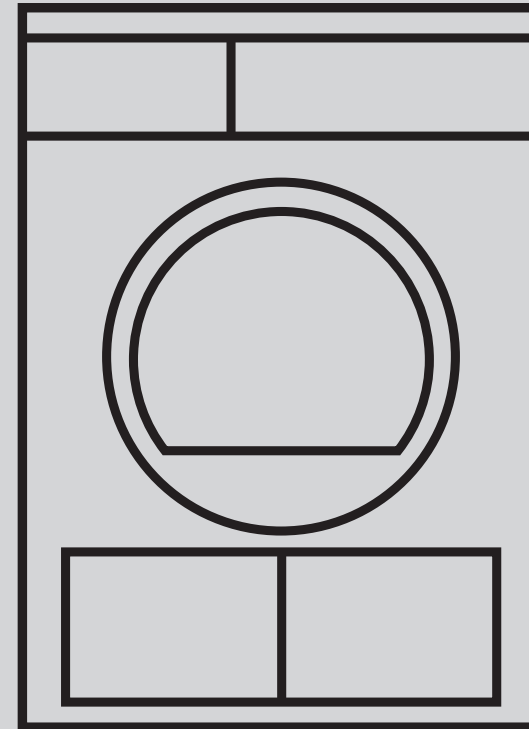
## Safety instructions



- Emergency**
- Pull the appliance plug out of the socket immediately or disconnect the fuse.
- ONLY use the dryer...**
- in rooms inside the house.
  - to dry fabrics.
- The dryer must NEVER...**
- be used for other purposes than those described above.
  - be modified in terms of its technology or attributes.
- Dangers**
- The dryer must not be used by children or persons who have not been instructed in its use.
  - Do not leave children unsupervised near the dryer.
  - Keep pets away from the dryer.
  - Remove all objects from pockets.  
Make especially sure that cigarette lighters are removed as they constitute an → **explosion hazard.**
  - Do not lean or sit on the door → **risk of tipping.**
- Installation**
- Secure loose cables → **tripping hazard.**
  - Do not operate the dryer if there is a risk of frost.
- Mains connection**
- Connect the dryer according to specifications to an AC earthed socket, as otherwise it cannot be guaranteed that the appliance is completely safe.
  - The cable cross-section must be sufficient.
  - Only use earth-leakage circuit breakers with the following symbol: 
  - The appliance plug and socket must be compatible.
  - Do not use multiple plugs/couplings and/or extension cables.
  - Do not hold the appliance plug with wet hands → **risk of electric shock.**
  - Never pull the appliance plug out of the socket by its cable.
  - Do not damage the mains lead → **risk of electric shock.**
- Operation**
- Only load the drum with laundry.  
Check the contents before you switch the dryer on.
  - Do not use the dryer if the laundry has been in contact with solvents, oil, wax, grease or paint (e.g. hair setting spray, nail polish remover, stain remover, cleaning solvent, etc.) → **fire/explosion hazard.**
  - Dust (e.g. coal dust, flour) poses a danger: do not use the dryer → **explosion hazard.**
  - Do not put laundry containing foamed material/rubber in the dryer → elastic material may be destroyed and the dryer may be damaged due to possible deformation of the foamed material.
  - Switch off the dryer once the programme has ended.
  - Condensation is not drinking water and may be contaminated with fluff.
- Defect**
- Do not use the dryer if it is defective or if you suspect it is.  
Repairs must only be carried out by the after-sales service.
  - Do not use the dryer if the mains cable is defective. To avoid danger, only have the defective mains cable replaced by the after-sales service.
  - Always pull the mains plug out of the socket before changing the bulb for the interior light → **risk of electric shock.**
- Spare parts**
- Only use genuine spare parts and accessories for safety reasons.
- Disposal**
- Dryer: pull out the appliance plug, **then** cut off the mains cable from the appliance.  
Dispose of at municipal waste disposal facility.
  - Packaging: do not leave children alone with packing parts  
→ **risk of suffocation.**
  - All materials are environmentally sound and can be reused.  
Dispose of in an environmentally-responsible manner.

## INSTRUCTIONS FOR INSTALLATION AND USE

en



TUMBLE DRYER

