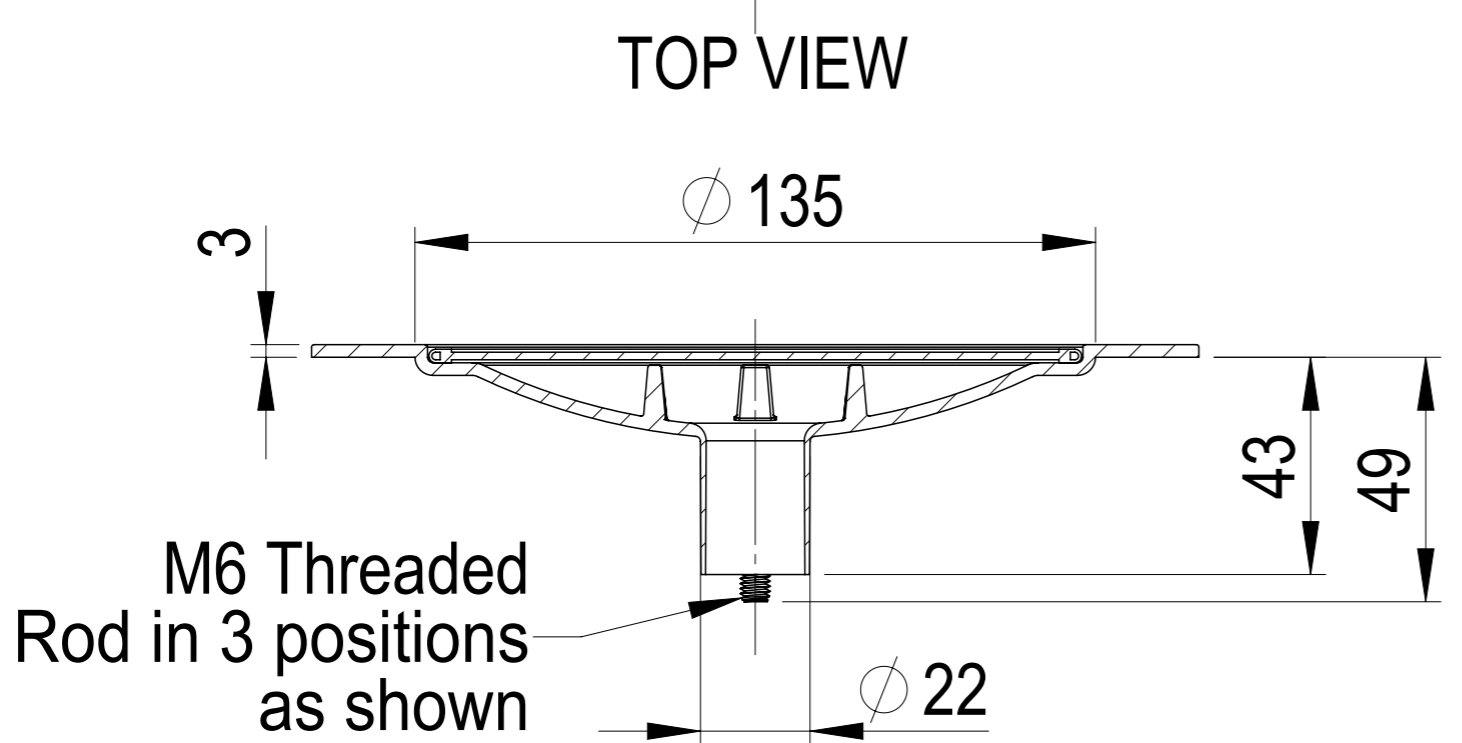
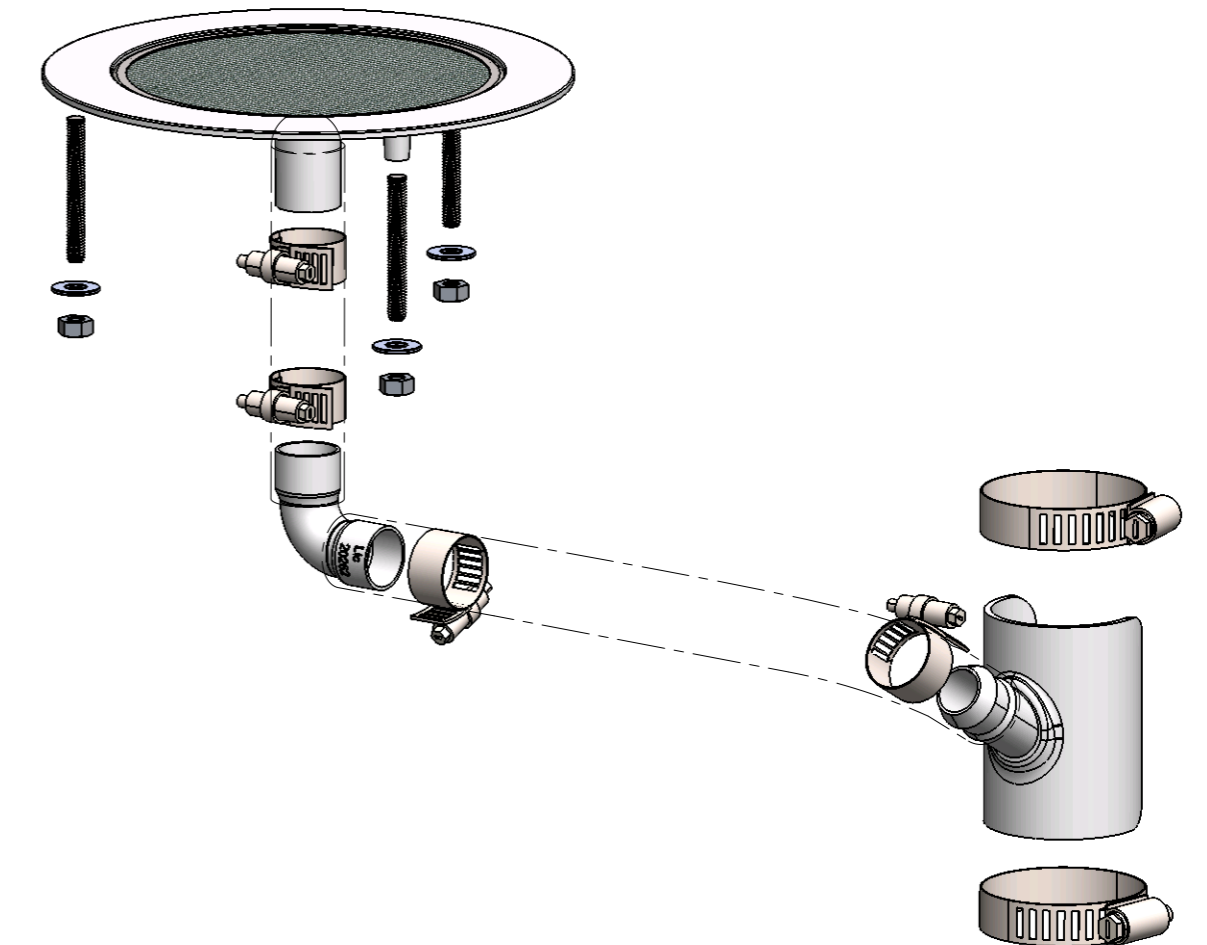
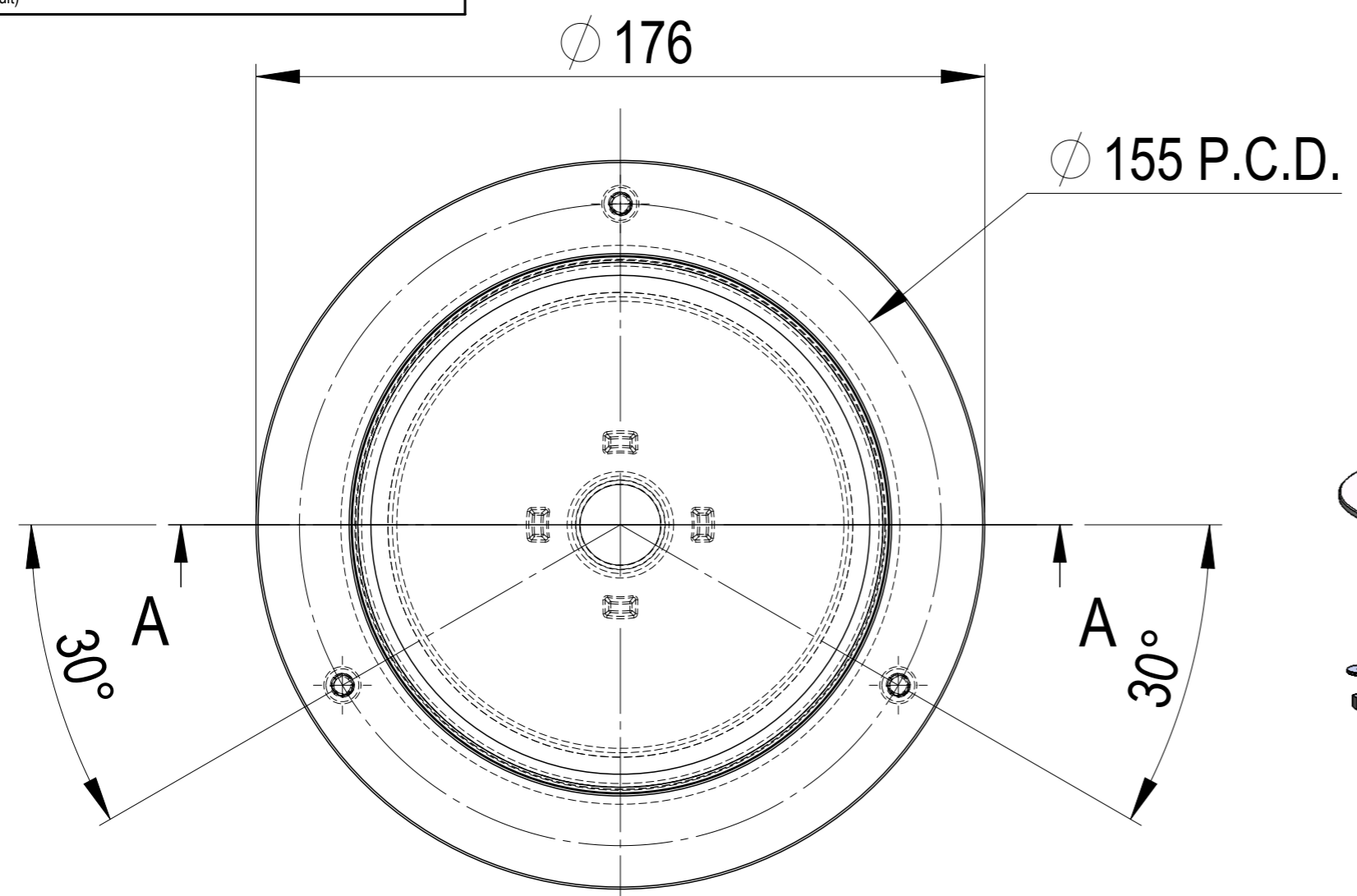


<p>THIRD ANGLE PROJECTION</p>	Dimensions in millimetres	Zip Industries Pty Ltd 67 Allingham Street Condell Park Sydney NSW 2200 Australia
	Drawing to BS8888:2004	Web : <a href="http://www.zipindustries.com">www.zipindustries.com</a>
	Screw threads to BS 8498:2008	Email : <a href="mailto:sales@zipindustries.com">sales@zipindustries.com</a>



M6 Threaded Rod in 3 positions as shown

SECTION A-A  
SCALE 1 : 1.5

ERROR!:Approval Number  
ERROR!:Approval Expiry Date

This drawing is CONFIDENTIAL and is supplied on the express condition that it shall not be LOANED, COPIED or DISCLOSED to any other third party or used for any purpose without the written consent of Zip Industries Pty Ltd. If this document is printed in hardcopy form, it is for INFORMATION ONLY and therefore not subject to updating controls. For the current revision ALWAYS refer to the NATIVE electronic form as stated in the top left-hand corner of this sheet. © copyright Zip Industries Pty Ltd, 10/04/2015

**Zip Industries**

<b>Manufacturing Instructions</b> Make or Buy : Buy Manufacturing Route : See Components Raw material : See Components Remove all sharp edges. This drawing ONLY details information which cannot be ascertained from the 3D geometry of the part(s) attached. Model & dimensions are AFTER all finishing operations Comments : This Kit is suitable for G4 HydroTap Classic Tap, HydroTap Elite, HydroTap Arc & Cube with corresponding distances from the centre of the Taps to the centre of the Font.		Approved by : Unapproved on 1/01/2001 Checked by : edgarG on 10/04/2015 Updated by : edgarG on 10/04/2015 12:02:39 PM Material : See Components Finish : See Components Volume (cm <sup>3</sup> ) : 133.4 Area (cm <sup>2</sup> ) : 1485.7 Mass (g) : 690.4 Density (g/cm <sup>3</sup> ) : ERROR!:Density		Description : <b>Kit Stand Alone Font CH Bright Chrome</b> Project : HydroTap G4® Model : 93441 Drawing : <b>93441</b> Derived from : ERROR!:Derived From Colour : ERROR!:Colour Scale : 1:5 Sheet : 1 of 1		Configuration : Default Created by & on : EdgarG on 28/01/2010 Created by & on : EdgarG on 10/04/2015 Rev : <b>A</b> Size : <b>A3</b> Status : Production Drawing Property Config Property Custom Property	
--	--	---	--	--	--	--	--

