

Owner's Manual

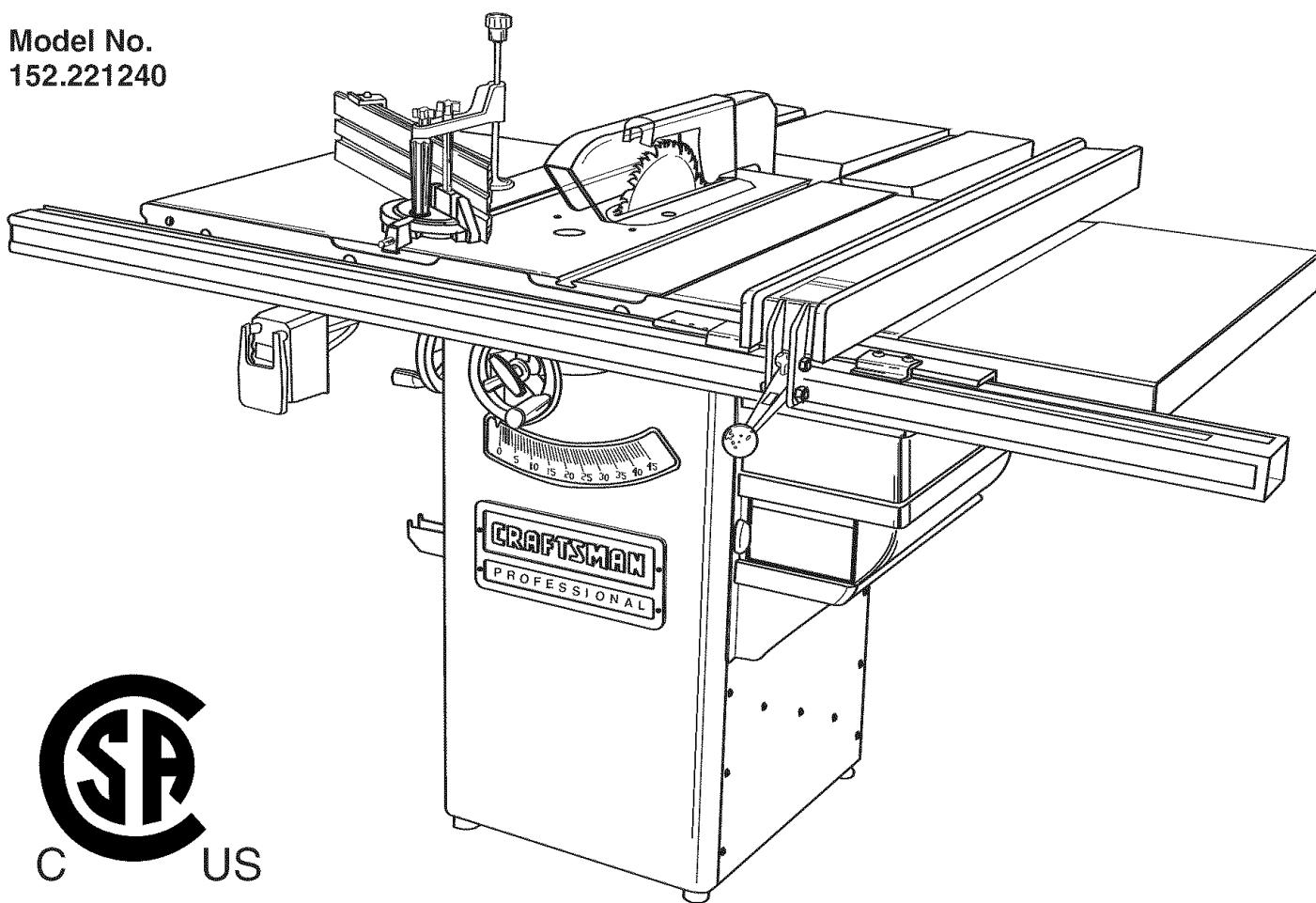
CRAFTSMAN®

PROFESSIONAL

1.75 Horsepower (continuous duty)
2.4 Horsepower (maximum developed)
3450 R.P.M. (no load R.P.M.)

10-in. TABLE SAW

Model No.
152.221240



CAUTION:

FOR YOUR OWN SAFETY; Read and follow all of the Safety and Operating Instructions before Operating this Table Saw.

Customer Helpline
1-800-897-7709
Please have your Model No.
and Serial No. available.

Sears, Roebuck and Co., Hoffman Estates, IL 60179 U.S.A.

Part No. OR91552

Revision: D

Español pg. 48

TABLE OF CONTENTS

SECTION	PAGE
Warranty	2
Product Specifications	2
Glossary of Terms	3
Safety Instructions	4
Guidelines for Extension Cords	5
Grounding Instructions	6
Specific Safety Instructions for Table Saw.....	7
Accessories and Attachments	9
Carton Contents	11
Know Your Table Saw	15
Assembly Instructions	16
Operations and Adjustment to the Table Saw.....	26
Maintenance.....	38
Troubleshooting Guide.....	40
Part List.....	41
Espanol	48
Service Information.....	88

WARRANTY

FULL ONE YEAR WARRANTY

If this product fails due to a defect in material or workmanship within one year from the date of purchase, return it to the nearest Sears Service Center for repair, free of charge.

This warranty gives you specific legal rights, and you may also have other rights, which vary, from state to state.

Sears, Roebuck and Co., Dept 817 WA, Hoffman Estates, IL 60179

PRODUCT SPECIFICATIONS

10-in. Table Saw

Motor type	Induction
Continuous duty HP	1.75
Maximum developed HP	2.4
Amps	15/7.5
Volts	120/240
Hertz	60
RPM	3450 R.P.M. (no load R.P.M.)
Blade tilt	Left tilt
Blade drive	Poly-V Belt
Blade diameter	10-in.
Blade arbor	5/8-in.
Number of teeth	40
Blade speed	3450 R.P.M.
Fence type	Biesemeyer, Commercial Fence System

Max depth-of-cut at 90-degree	3-3/8-in.
Max depth-of-cut at 45-degree	2-1/4-in.
Max rip to the right of the blade	30-in.
Max rip to the left of the blade	18-in.

Table in front of blade at max depth-of-cut	12-1/2-in.
Max dado width	13/16-in.
Max dado blade diameter	8-in.
Left and right table wing	12-in, Cast Iron
Weight of table saw	330 lbs.
Weight of fence assembly	70 lbs.

⚠ WARNING

To avoid electrical shock to yourself and damage to the Table Saw, use proper circuit protection. Do not expose to rain, or use in a damp environment.

The Table Saw is factory wired for 120V, 60 Hz, operation. Connect to a 120V, 15 amp branch circuit and use a 15 amp time delay fuse or circuit breaker. The electrical circuit cannot have any wire size less than #14. To avoid shock or fire, replace power cord immediately if it is damaged in any way.

GLOSSARY OF TERMS

Anti-Kickback Fingers – A safety device attached to the blade guard and splitter assembly designed to stop a workpiece from being thrown back during a cutting operation.

Arbor – The shaft on which the blade or accessory cutting-tool is mounted.

Bevel Cut – The operation of making any cut with the blade set on a degree other than 90 degrees.

Compound Cut – The operation of making both a bevel and a miter cut at one time.

Crosscut – The operation of making a cut across the grain or width of a workpiece.

Dado – A non-through cut that produces a square notch. A dado is typically from 1/8-in. to 13/16-in. wide. A dado requires a special set of blades, not included with this table saw.

Featherboard – An accessory device that can be made or purchased to help guide or hold down a workpiece during cutting operations.

Freehand – A very dangerous operation of making a cut without using the fence or miter gauge in a cutting operation. Freehand cuts must never be performed on a Table Saw.

Gum, Pitch or Resin – A sticky, sap based residue that comes from wood products.

Heel – The misalignment of the blade to the miter slots; when the blade is not parallel to the miter slots.

Kerf – The material removed by the blade in the workpiece during any cutting operation.

Kickback – When the workpiece is thrown back towards the operator during a cutting operation when the workpiece initially contacts the blade or if the workpiece pinches the blade. Kickback is dangerous and can result in serious injury.

Miter Cut – The operation of making a cut using the miter gauge at any angle other than zero degrees.

Push Stick – An accessory device that can be made or purchased to help push the workpiece through the blade. A push stick is used to keep the operator's hands away from the blade when ripping a narrow workpiece.

Rabbet – A square notch in the edge of the workpiece.

Resaw – The operation of making a cut to reduce the thickness of the workpiece.

Rip Cut – The operation of making a cut with the grain of the workpiece.

Saw Blade Path – The area that is directly in line with the blade, including area over, under, behind and in front of it.

Set of the Saw Blade – The distance that the tips of the saw blade are angled outwards from the thickness of the blade. The set of the saw blade teeth allows for the blade body to pass safely through all cuts.

Table/Work Area – The total surface of the top of the table saw on which the workpiece rests while set-up or cutting operations are being performed.

SAFETY INSTRUCTIONS

GENERAL SAFETY INSTRUCTIONS

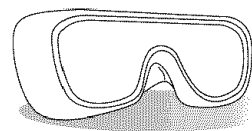
Operating a Table Saw can be dangerous if safety and common sense are ignored. The operator must be familiar with the operation of the tool. Read this manual to understand this Table Saw. **DO NOT** operate this Table Saw if you do not fully understand the limitations of this tool. **DO NOT** modify this Table Saw in any way. **REMEMBER:** Your personal safety is your responsibility.

BEFORE USING THE TABLE SAW

⚠ WARNING

To avoid serious injury and damage to the tool, read and follow all of the Safety and Operating Instructions before operating the Table Saw.

- 1. READ** the entire Owner's Manual. **LEARN** how to use the tool for its intended applications.
- 2. GROUND ALL TOOLS.** If the tool is supplied with a 3-prong plug, it must be plugged into a 3-contact electrical receptacle. The 3rd prong is used to ground the tool and provide protection against accidental electric shock. **DO NOT** remove the 3rd prong. See Grounding Instructions.
- 3. AVOID A DANGEROUS WORKING ENVIRONMENT. DO NOT** Use electrical tools in a damp environment or expose them to rain.
- 4. DO NOT** use electrical tools in the presence of flammable liquids or gasses.
- 5. ALWAYS** keep the work area clean, well lit, and organized. **DO NOT** work in an environment with floor surfaces that are slippery from debris, grease, and wax.
- 6. KEEP VISITORS AND CHILDREN AWAY** from the table saw. **DO NOT** permit people to be in the immediate work area, especially when the electrical tool is operating.
- 7. DO NOT FORCE THE TOOL** to perform an operation for which it was not designed. It will do a safer and higher quality job by only performing operations for which the tool was intended.
- 8. WEAR PROPER CLOTHING. DO NOT** wear loose clothing, gloves, neckties, or jewelry. These items can get caught in the machine during operations and pull the operator into the moving parts. Users must wear a protective cover on their hair, if the hair is long, to prevent it from contacting any moving parts.
- 9. ALWAYS WEAR EYE PROTECTION.** Any power tool can throw debris into the eyes during operations, which could cause severe and permanent eye damage. Everyday eyeglasses are **NOT** safety glasses. **ALWAYS** wear Safety Goggles (that comply with ANSI standard Z87.1) when operating power tools. Safety Goggles are available at Sears Retail Stores. Hearing equipment should comply with ANSI S3.19 Standards



- 10. ALWAYS UNPLUG THE TOOL FROM THE ELECTRICAL RECEPTACLE** when making adjustments, changing parts or performing any maintenance.
- 11. KEEP PROTECTIVE GUARDS IN PLACE AND IN WORKING ORDER.**
- 12. AVOID ACCIDENTAL STARTING.** Make sure that the power switch is in the "OFF" position before plugging in the power cord to the electrical receptacle.
- 13. REMOVE ALL MAINTENANCE TOOLS** from the immediate area prior to turning the tool "ON".
- 14. USE ONLY RECOMMENDED ACCESSORIES.** Use of incorrect or improper accessories could cause serious injury to the operator and cause damage to the tool. If in doubt, check the instruction manual that comes with that particular accessory.
- 15. NEVER LEAVE A RUNNING TOOL UNATTENDED.** Turn the power switch to the "OFF" position. **DO NOT** leave the tool until it has come to a complete stop.
- 16. DO NOT STAND ON A TOOL.** Serious injury could result if the tool tips over or you accidentally contact the tool.
- 17. DO NOT** store anything above or near the tool where anyone might try to stand on the tool to reach it.
- 18. MAINTAIN YOUR BALANCE. DO NOT** extend yourself over the tool. Wear oil resistant rubber-soled shoes. Keep floor clear of debris, grease, and wax.
- 19. MAINTAIN TOOLS WITH CARE.** Always keep tools clean and in good working order. Keep all blades and tool bits sharp.

20. **EACH AND EVERY TIME, CHECK FOR DAMAGED PARTS PRIOR TO USING THE TOOL.**
Carefully check all guards to see that they operate properly, are not damaged, and perform their intended functions. Check for alignment, binding or breaking of moving parts. A guard or other part that is damaged should be immediately repaired or replaced.
21. **CHILDPROOF THE WORKSHOP AREA** by removing switch keys, unplugging tools from the electrical receptacles, and using padlocks.
22. **DO NOT OPERATE TOOL IF UNDER THE INFLUENCE OF DRUGS OR ALCOHOL.**
23. **SECURE ALL WORK.** When it is possible, use clamps or jigs to secure the workpiece. This is safer than attempting to hold the workpiece with your hands.
24. **STAY ALERT, WATCH WHAT YOU ARE DOING, AND USE COMMON SENSE WHEN OPERATING A POWER TOOL. DO NOT USE A TOOL WHILE TIRED OR UNDER THE INFLUENCE OF DRUGS, ALCOHOL, OR MEDICATION.** A moment of inattention while operating power tools may result in serious personal injury.

⚠ WARNING

25. Use of this tool can generate and disburse dust or other airborne particles, including wood dust, crystalline silica dust and asbestos dust. Direct particles away from face and body. Always operate tool in well ventilated area and provide for proper dust removal. Use dust collection system wherever possible. Exposure to the dust may cause serious and permanent respiratory or other injury, including silicosis (a serious lung disease), cancer, and death. Avoid breathing the dust, and avoid prolonged contact with dust. Allowing dust to get into your mouth or eyes, or lay on your skin may promote absorption of harmful material. Always use properly fitting NIOSH/OSHA approved respiratory protection appropriate for the dust exposure, and wash exposed areas with soap and water.
26. **USE A PROPER EXTENSION CORD IN GOOD CONDITION.** When using an extension cord, be sure to use one heavy enough to carry the current your product will draw. Please see “**MINIMUM RECOMMENDED GAUGE FOR EXTENSION CORDS (AWG)**” table for correct sizing of an extension cord. If in doubt, use the next heavier gauge.
27. **DIRECTION OF FEED.** Feed work into a blade or cutter against the direction of rotation of the blade or cutter only.

GUIDELINES FOR EXTENSION CORDS

The smaller the gauge-number, the larger diameter of the extension cord. If in doubt of the proper size of an extension cord, use a shorter and thicker cord. An undersized cord will cause a drop in line voltage resulting in a loss of power and overheating. **USE ONLY A 3-WIRE EXTENSION CORD THAT HAS A 3-PRONG GROUNDING PLUG AND A 3-POLE RECEPTACLE THAT ACCEPTS THE TOOL'S PLUG.**

If you are using an extension cord outdoors, be sure it is marked with the suffix “W-A” (“W” in Canada) to indicate that it is acceptable for outdoor use.

Be sure your extension cord is properly sized, and in good electrical condition. Always replace a damaged extension cord or have it repaired by a qualified person before using it.

Protect your extension cords from sharp objects, excessive heat, and damp or wet areas.

MINIMUM RECOMMENDED GAUGE FOR EXTENSION CORDS (AWG)			
120 VOLT OPERATION ONLY			
	25' LONG	50' LONG	100' LONG
0 to 6 Amps	18 AWG	16 AWG	16 AWG
6 to 10 Amps	18 AWG	16 AWG	14 AWG
10 to 12 Amps	16 AWG	16 AWG	14 AWG
12 to 15 Amps	14 AWG	12 AWG	Not recommended

MINIMUM RECOMMENDED GAUGE FOR EXTENSION CORDS (AWG)			
240 VOLT OPERATION ONLY			
	25' LONG	50' LONG	100' LONG
0 to 6 Amps	18 AWG	18 AWG	16 AWG
6 to 10 Amps	18 AWG	18 AWG	14 AWG
10 to 12 Amps	16 AWG	16 AWG	14 AWG
12 to 15 Amps	14 AWG	12 WG	Not recommended



GROUNDING INSTRUCTIONS

⚠ WARNING

THIS TOOL MUST BE GROUNDED WHILE IN USE TO PROTECT THE OPERATOR FROM ELECTRIC SHOCK.

IN THE EVENT OF A MALFUNCTION OR BREAK-DOWN, grounding provides the path of least resistance for electric current and reduces the risk of electric shock. This tool is equipped with an electric cord that has an equipment-grounding conductor and a grounding plug. The plug **MUST** be plugged into a matching electrical receptacle that is properly installed and grounded in accordance with **ALL** local codes and ordinances.

DO NOT MODIFY THE PLUG PROVIDED. If it will not fit the electrical receptacle, have the proper electrical receptacle installed by a qualified electrician.

IMPROPER ELECTRICAL CONNECTION of the equipment-grounding conductor can result in risk of electric shock. The conductor with the green insulation (with or without yellow stripes) is the equipment-grounding conductor. **DO NOT** connect the equipment-grounding conductor to a live terminal if repair or replacement of the electric cord or plug is necessary.

CHECK with a qualified electrician or service personnel if you do not completely understand the grounding instructions, or if you are not sure the tool is properly grounded.

The motor supplied with your Table Saw is a dual voltage 120/240 volts, 60 hertz alternating current, single phase motor. It is shipped wired for 120 volts application. Never connect the green or ground wire to a live terminal.

USE ONLY A 3-WIRE EXTENSION CORD THAT HAS A 3-PRONG GROUNDING PLUG AND A 3-POLE RECEPTACLE THAT ACCEPTS THE TOOL'S PLUG.

REPLACE A DAMAGED OR WORN CORD IMMEDIATELY.

FOR GROUNDED, CORD-CONNECTED MACHINES INTENDED FOR USE ON A SUPPLY CIRCUIT HAVING A NOMINAL RATING LESS THAN 150 VOLTS.

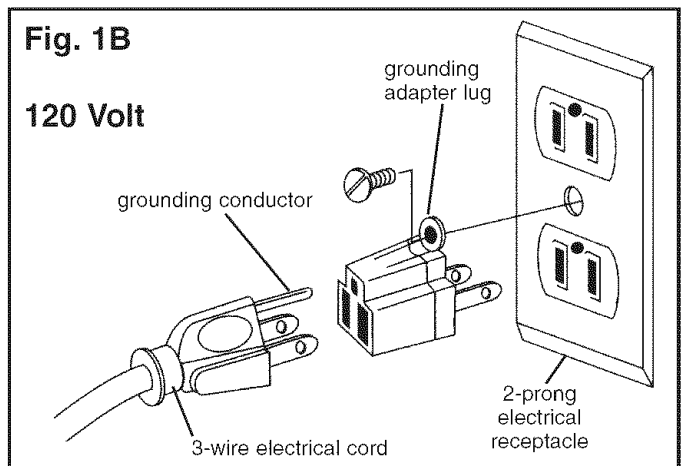
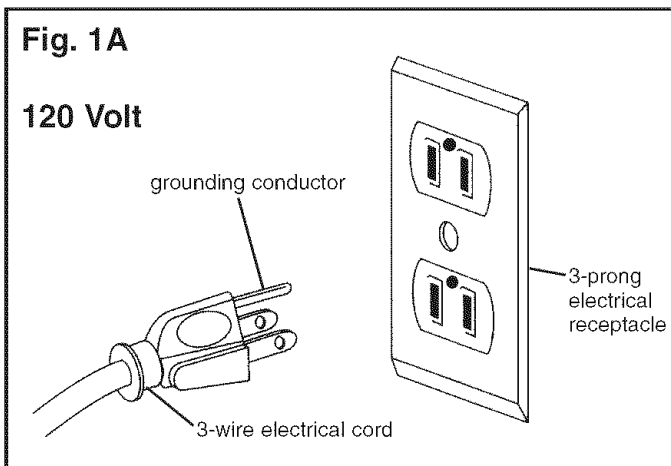
This tool is intended for use on a circuit that has an electrical receptacle as shown in **FIGURE "1A"**. **FIGURE "1A"** shows a 3-wire electrical plug and electrical receptacle that has a grounding conductor. If a properly grounded electrical receptacle is not available, an adapter as shown in **FIGURE "1B"** can be used to temporarily connect this plug to a 2-contact ungrounded receptacle. The adapter has a rigid lug extending from it that **MUST** be connected to a permanent earth ground, such as a properly grounded receptacle box. **THIS ADAPTER IS PROHIBITED IN CANADA.**

CAUTION: In all cases, make certain the electrical receptacle in question is properly grounded. If you are not sure have a certified electrician check the electrical receptacle.

The motor supplied with your Table Saw is a dual voltage, 120/ 240 volt, single phase motor. If it is desired to operate your table saw at 240 volts, it is necessary to reconnect the motor leads in the motor junction box by following the wiring diagram on the junction box cover.

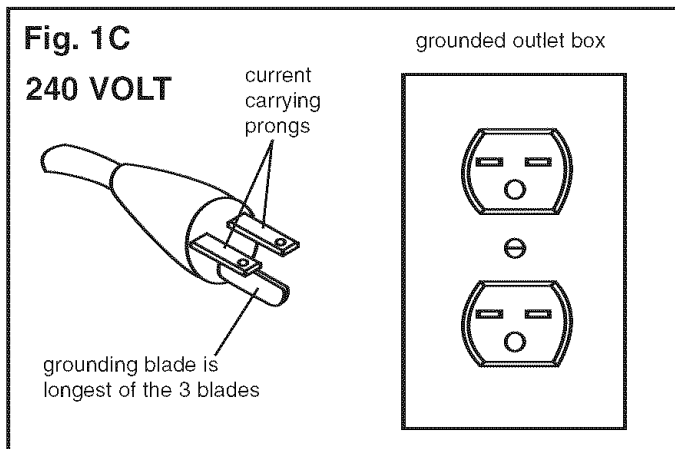
⚠ WARNING

MAKE CERTAIN the motor is disconnected from power source before reconnecting motor leads.



It is also necessary to replace the 120 volt plug, supplied with the motor, with a UL/CSA Listed plug suitable for 240 volts and rated current of the saw. Contact a local qualified electrician for proper procedures to install the plug. The table saw must comply with all local and national electrical codes after the 240 volt plug is installed.

The table saw with a 240 volt plug should only be connected to an outlet having the same configuration as the plug shown in Figure "1C". No adapter is available or should be used with the 240 volt plug.



⚠ WARNING

MAKE CERTAIN the receptacle in question is properly grounded. If you are not sure have a qualified electrician check the receptacle.

⚠ WARNING

This Table Saw is for indoor use only. Do not expose to rain or use in damp locations.

SPECIFIC SAFETY INSTRUCTIONS FOR TABLE SAWS

CALIFORNIA PROPOSITION 65

⚠ WARNING

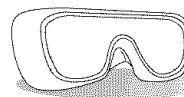
SOME DUST CREATED BY POWER SANDING, SAWING, GRINDING, DRILLING AND OTHER CONSTRUCTION ACTIVITIES contains chemicals known to cause cancer, birth defects or other reproductive harm. Some examples of these chemicals are:

- lead from lead-based paints,
- crystalline silica from bricks and cement and other masonry products, and
- arsenic and chromium from chemically-treated lumber.

Your risk from these exposures varies, depending on how often you do this type of work. To reduce your exposure to these chemicals: work in a well ventilated area, and work with approved safety equipment, such as those dust masks that are specially designed to filter out microscopic particles.

MAKE CERTAIN that masks or respirators are MSHA/NIOSH approved.

The operation of any Table Saw can result in debris being thrown into your eyes, which can result in severe eye damage. **ALWAYS** wear Safety Goggles (that comply with ANSI standard Z87.1) when operating the Table Saw. Safety Goggles are available at Sears Retail Stores. Keep your thumbs and fingers away from the blade while it is spinning.



Basic precautions should always be followed when using your Table Saw. To reduce the risk of injury, electrical shock or fire, comply with the safety rules listed below:

1. **READ** and understand the instruction manual before operating the Table Saw.
2. **DO NOT OPERATE THIS MACHINE** until it is assembled and installed according to the instructions.
3. **OBTAIN ADVICE FROM YOUR SUPERVISOR**, instructor, or another qualified person if you are not familiar with the operation of this machine.
4. **DO NOT** leave the Table Saw plugged into the electrical outlet. Unplug Table Saw from the outlet when not in use and before servicing, changing blades and cleaning.
5. **ALWAYS** turn the power switch "OFF" before unplugging the Table Saw.
6. **TO REDUCE THE RISK OF ELECTRICAL SHOCK**, do not use outdoors. Do not expose to rain. Store indoors.
7. **FOLLOW** all electrical and safety codes, including the National Electric Code (NEC) and the Occupational Safety and Health Regulations (OSHA). All electrical connections and wiring should be made by qualified personnel only.
8. **DO NOT** handle the plug or Table Saw with wet hands.
9. **USE** only as described in this manual. **USE** accessories only recommended by Sears.
10. **DO NOT** pull the Table Saw by the power cord. **NEVER** allow the power cord to come in contact with sharp edges, hot surfaces, oil or grease.
11. **DO NOT** unplug the Table Saw by pulling on the power cord. **ALWAYS** grasp the plug, not the cord.
12. **REPLACE** a damaged cord immediately. **DO NOT** use a damaged cord or plug. If the Table Saw is not operating properly, or has been damaged, left outdoors or has been in contact with water, return it to a Sears Service Center.
13. **DO NOT** use the Table Saw as a toy. **DO NOT** use near or around children.

14. The Table Saw is designed for home use or light commercial duty **ONLY**.
15. **CONNECT** Table Saw to a properly grounded outlet only. See grounding instructions.
16. **ALWAYS USE** the guards whenever possible. Check to see that they are in place, secured and working correctly.
17. **AVOID KICKBACK** by:
 - Keeping blade sharp and free of rust and pitch.
 - Keeping rip fence parallel to saw blade.
 - Using saw blade guard and splitter assembly for every possible operation, including all through-sawing.
 - Pushing the workpiece past the saw blade prior to release.
 - Never rip a workpiece that is twisted or warped, or does not have a straight edge to guide along the fence.
 - Using featherboards when the blade guard and splitter assembly cannot be used.
 - Never sawing a large workpiece that cannot be controlled.
 - Never using the fence as a guide when cross-cutting.
 - Never sawing a workpiece with loose knots or other flaws.
18. **REMOVE** cut-off pieces and debris from the table before starting the saw. The vibration of the saw may cause them to move into the saw blade and be thrown out. After cutting, turn the saw off. When the blade has come to a complete stop, unplug the saw and remove all debris.
19. **NEVER START** the saw with the workpiece against the blade.
20. **NEVER** perform “free-hand” operations. Use either the fence or miter gauge to position and guide the workpiece. Hold the workpiece firmly against the miter gauge or fence.
21. **USE** a push stick(s) for ripping a narrow workpiece.
22. **AVOID AWKWARD OPERATIONS AND HAND POSITIONS** where a sudden slip could cause a hand to move into the blade.
23. **KEEP** arms, hands and fingers away from the blade.
24. **NEVER** have any part of your body in line with the path of the saw blade.
25. **NEVER** reach around or over the blade.
26. **NEVER** attempt to free a stalled blade without first turning the machine “OFF” and unplugging it from the power source.
27. **NEVER** perform layout, assembly or set-up work on the table/work area when the machine is running.
28. **NEVER** reset the thermal-overload button before you have turned the table saw “OFF”.
29. **PROPERLY SUPPORT** long or wide workpiece.
30. **TURN THE SAW “OFF”** and unplug from power source. Clean off the table/work area before leaving the saw. **LOCK** the START/STOP switch with padlock provided to prevent unauthorized use.
31. **ALWAYS** position auxiliary fence at least 2-inches in front of saw blade when using auxiliary fence as a stop when cross-cutting.
32. The right extension wing **MUST BE** completely assembled and motor cover closed and fastened before table saw is to be connected to the power source.
33. **ADDITIONAL INFORMATION** regarding the safe and proper operation of this product is available from the National Safety Council, 1121 Spring Lake Drive, Itasca, IL 60143-3201 in the Accident Prevention Manual for Industrial Operation and also in the Safety Data Sheets provided by the NSC. Please also refer to the American National Standards Institute ANSI 01.1 Safety Requirements for Woodworking Machinery and the U.S. Department of Labor OSHA 1910.213 Regulations.
34. **SAVE THESE INSTRUCTIONS.** Refer to them frequently and use them to instruct other users.

Information regarding the safe and proper operation of this tool is available from the following sources:

Power Tool Institute
 1300 Summer Avenue
 Cleveland, OH 44115-2851
www.powertoolinstitute.org

National Safety Council
 1121 Spring Lake Drive
 Itasca, IL 60143-3201

American National Standards Institute
 25 West 43rd Street
 4th floor
 New York, NY 10036
www.ansi.org

ANSI 01.1 Safety Requirements for Woodworking Machines, and the U.S. Department of Labor regulations
www.osha.gov



ACCESSORIES AND ATTACHMENTS

AVAILABLE ACCESSORIES

Visit your Sears Hardware Department or see the Sears Power and Hand Tool Catalog for the following accessories.

ITEM	STOCK NUMBER
* Miter Gauge Extension & Stop	29879
* Stock Clamp, Miter Gauge	29880
* Table Insert - Standard	29882
* Table Insert - Dado	29885
* Table Insert - Molding Cutterhead	29887
* Saw Blade - Leitz; 10-in. x 40 tooth variable pitch blade	29888
* Fence Guide System	32371

Sears may recommend other accessories not listed in this manual.

See your nearest Sears Hardware Department or Sears Power and Hand Tool Catalog for other accessories.

Do not use any accessory unless you have completely read the Owner's Manual for that accessory.

⚠ WARNING

Use only accessories recommended for this table saw. Using other accessories may cause serious injury and cause damage to the table saw.

CONSTRUCTING A FEATHERBOARD

Fig. 2A

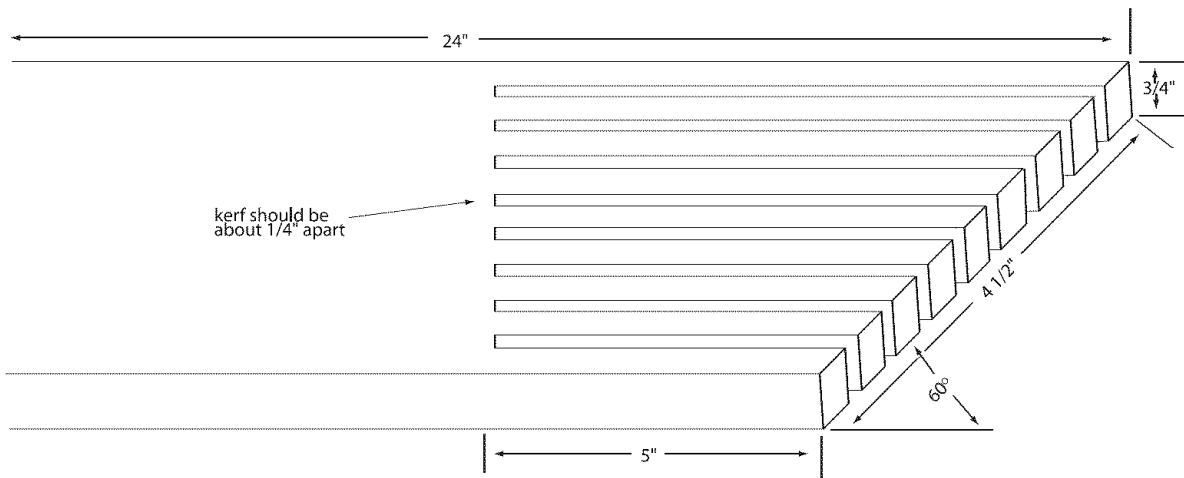
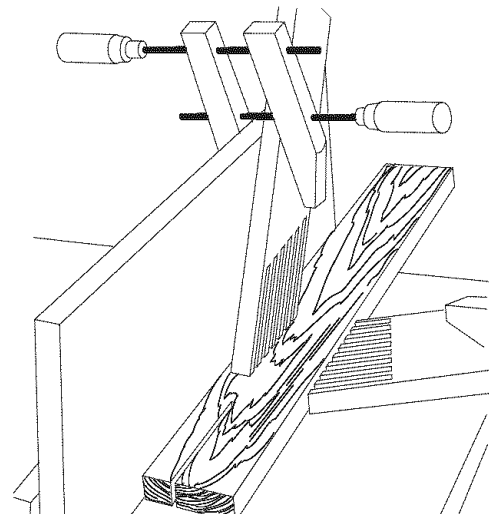


Figure 2A illustrates dimensions for making a typical featherboard. The material, which the featherboard is constructed of, should be straight piece of wood that is free of knots and cracks. Featherboards are used to keep the work in contact with the fence and table and help prevent kickbacks. Clamp the featherboard to the fence and table so that the leading edge of the featherboard will support the workpiece until the cut is completed.

Fig. 2B



⚠ WARNING

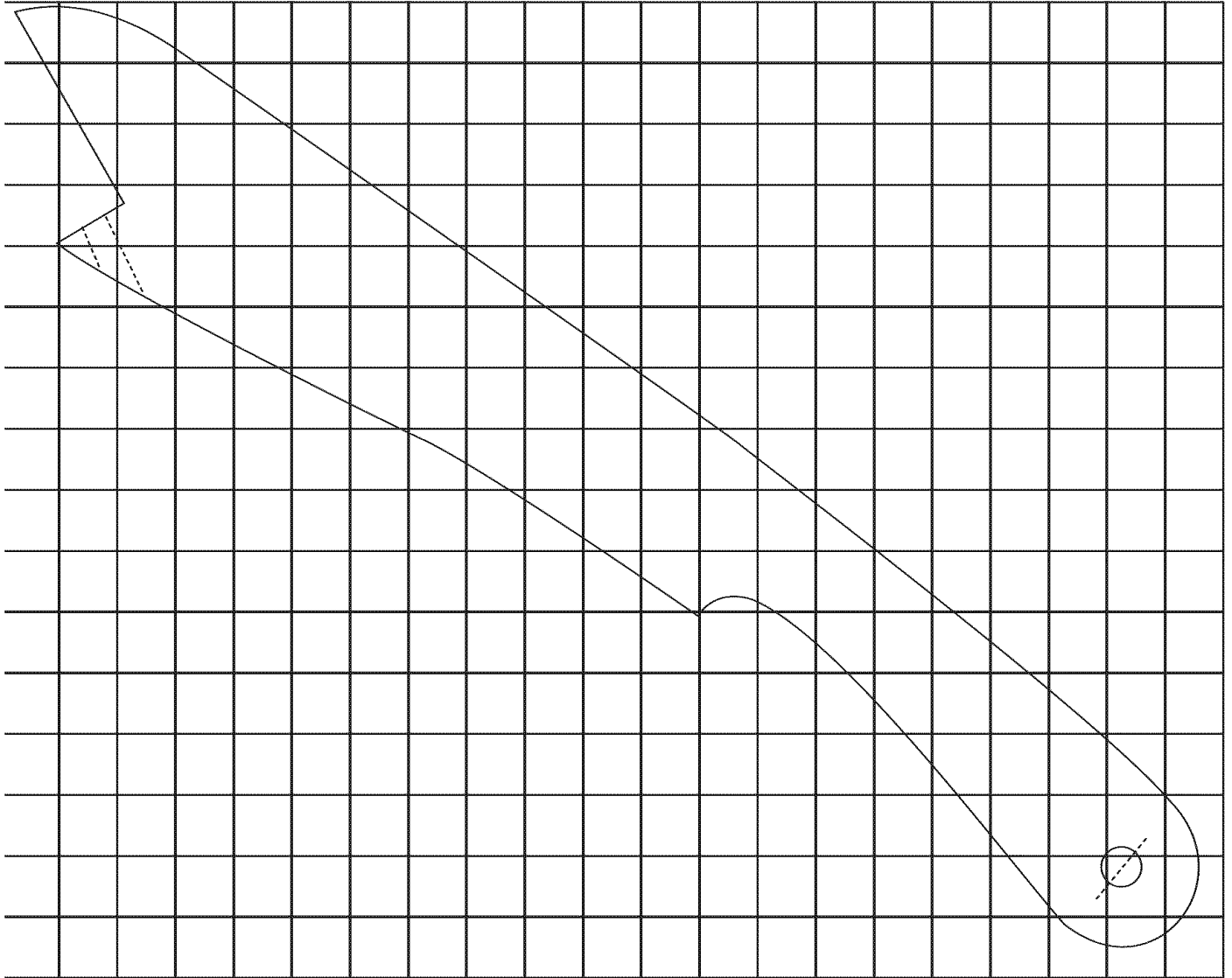
Use featherboards for all non-through cutting operations where the guard and splitter assembly must be removed. Always replace the guard and splitter assembly when the non-through cutting operations are finished. See figure 2B.

CONSTRUCTING A PUSHSTICK

⚠ WARNING

When ripping work less than 4 inches wide, a pushstick should be used to complete the feed and could easily be made from scrap material by following the pattern shown in figure 2C.

Fig. 2C



The Pushstick should be made of $\frac{3}{4}$ or $\frac{1}{2}$ inch wood or a thickness less than the width of the workpiece to be cut.

Figure 2C should be copied and scaled so the grids are $\frac{1}{2}$ inch square. This copy can be used to make your pushstick.

CARTON CONTENTS

UNPACKING AND CHECKING CONTENTS

Fig. 3-1

⚠ WARNING

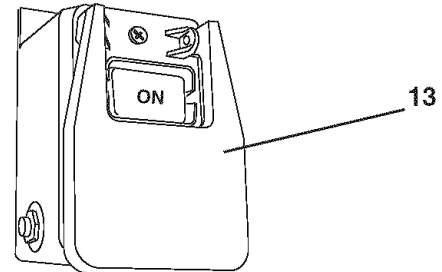
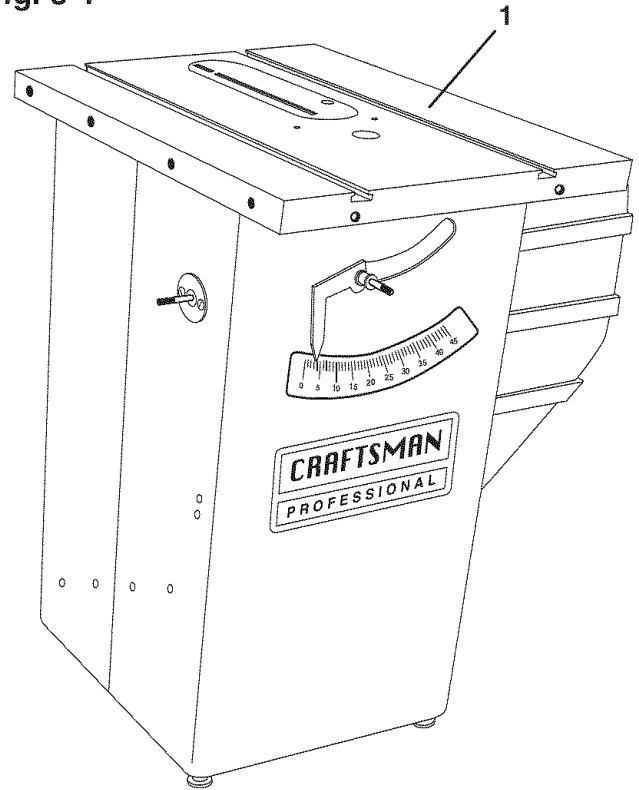
The table saw is a heavy machine, two people are required to unpack and lift the table saw.

This table saw will require some amount of assembly. This table saw is shipped in two separate cartons, one for the saw and one for the fence. The saw carton also contains a box of saw parts.

1. Remove parts from all of the cartons and lay them on a clean work surface.
2. Two or more people are required to lift the table saw off of the shipping pallet.
3. Remove any protective materials and coatings from all of the parts and the table saw. The protective coatings can be removed by spraying WD-40 on them and wiping it off with a soft cloth. This may need redone several times before all of the protective coatings are removed completely.

CAUTION: DO NOT use acetone, gasoline or lacquer thinner to remove any protective coatings on your table saw.

4. After cleaning, apply a good quality paste wax to any unpainted surfaces. Make sure to buff out the wax before assembly.
5. Compare the items to figures below; verify that all items are accounted for before discarding the shipping box. If there are any missing parts, call Customer Helpline 1-800-897-7709.



⚠ WARNING

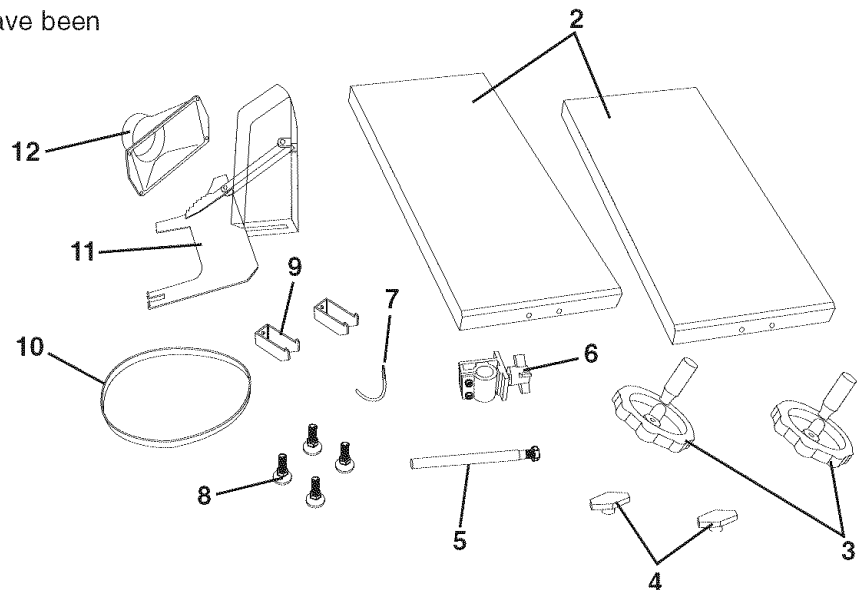
The right extension wing must be completely assembled and motor cover closed and fastened before table saw is to be connected to the power source.

⚠ WARNING

If any parts are missing, do not attempt to plug in the power cord and turn "ON" the table saw. The table saw can only be turned "ON" after all the parts have been obtained and installed correctly.

TABLE SAW

1. Table saw assembly
2. Extension wing (2)
3. Handwheel (2)
4. Handwheel lock knob (2)
5. Splitter mounting rod
6. Splitter bracket assembly
7. Wrench hook
8. Leveling foot (4)
9. Fence hook (2)
10. Polly-V belt
11. Blade guard and splitter assembly
12. Dust Port
13. Switch
14. Saw blade (not shown)



FENCE

Fig. 3-2

- 20. Rear rail
- 21. Front rail
- 22. Guide tube
- 23. Extension table assembly
- 24. T-Square® fence assembly
- 25. Locking handle knob
- 26. Cursor (2)
- 27. Template

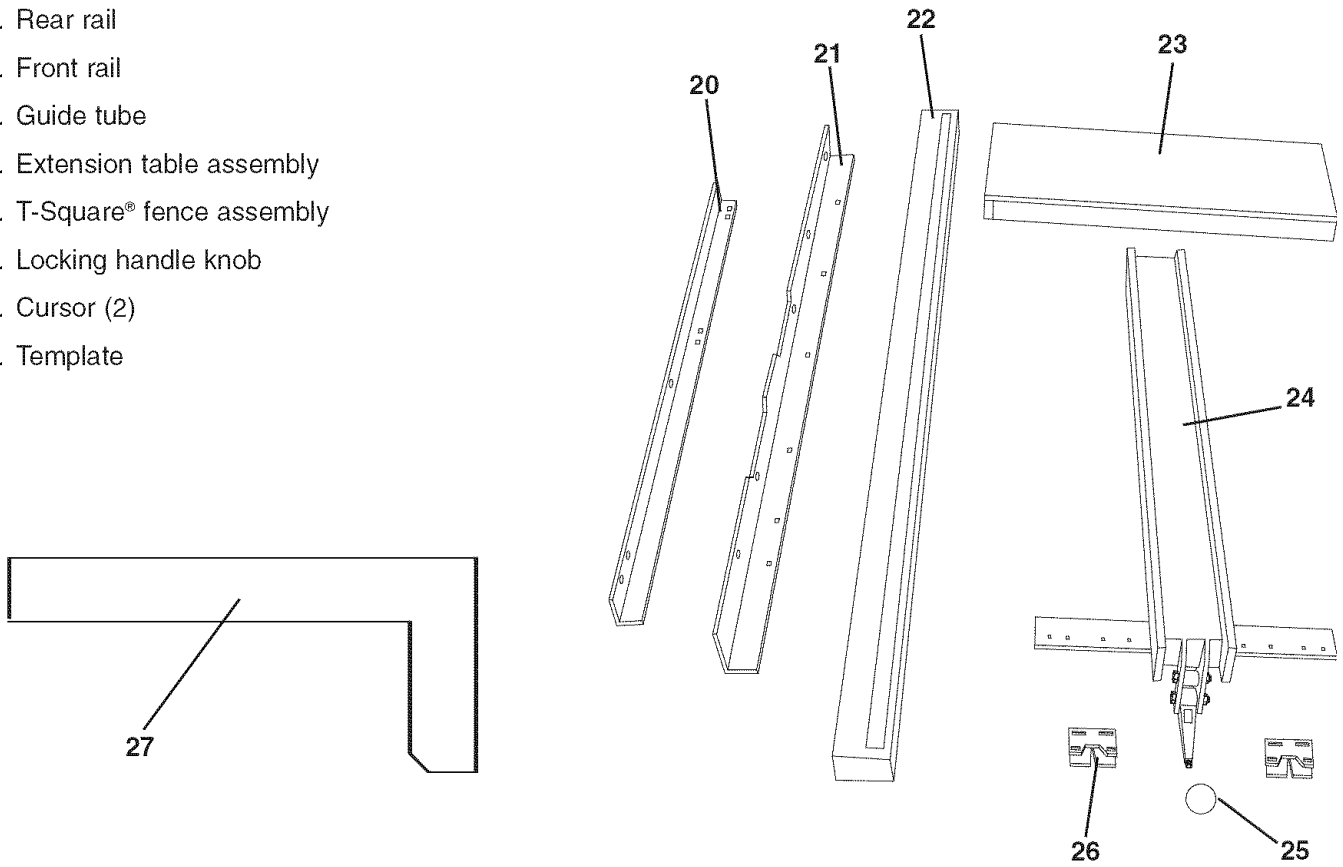


Fig. 3-3

MITER GAUGE

- 40. Miter gauge
- 41. Cross cut fence
- 42. Depth stop
- 43. Clamp assembly
- 44. M5 x 20mm Hex socket head screw (3)
- 45. M5 Flat washer (3)
- 46. M5 Square nut (3)
- 47. Elevating rod
- 48. Knob (2)

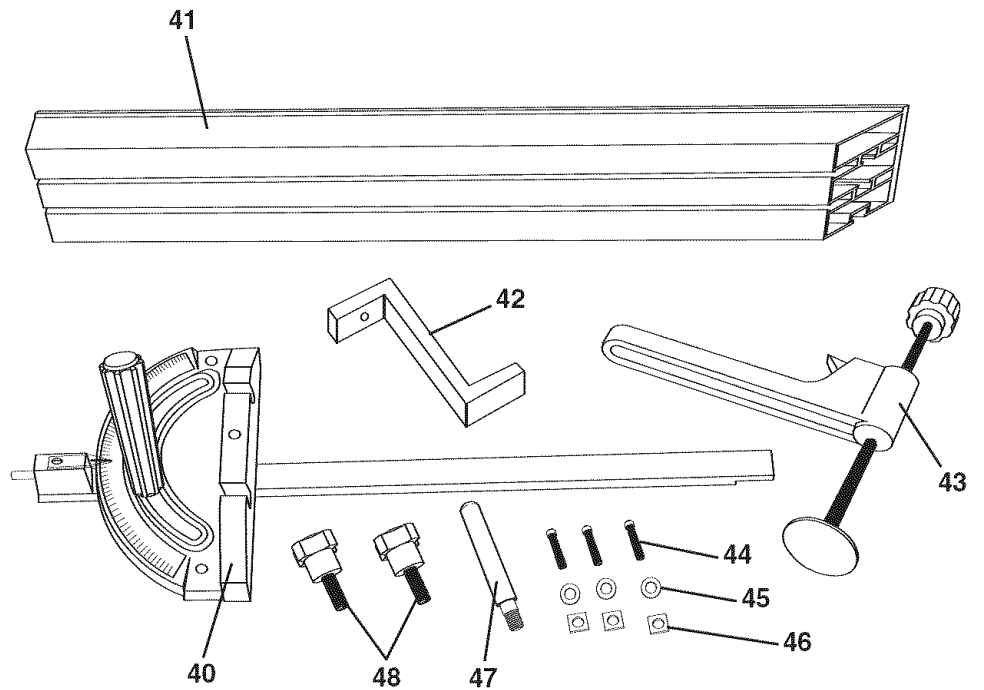
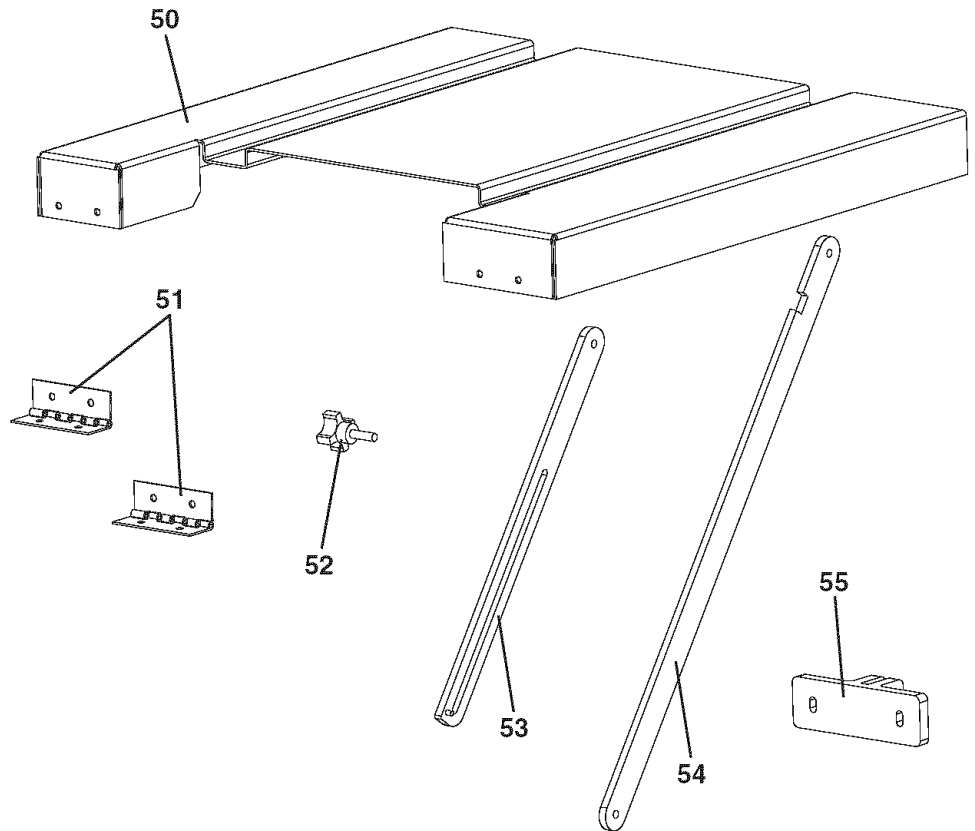


Fig. 3-4

OUTFEED TABLE

- 50. Outfeed table assembly
- 51. Hinge assembly (2)
- 52. Clamp knob
- 53. Upper support assembly
- 54. Lower support
- 55. Support retainer



Hardware packs are not identified or labeled. See hardware diagram to help in finding the correct part. See figure 3-5.

- **Hardware Pack for Biesemeyer Fence Rails (#OR91669) includes: (Hardware finish is Zinc)**

- Flat Washer M8 (2)
- Flat Washer 5/16" (9)
- Lock Washer M8 (2)
- Lock Washer 5/16" (9)
- Lock Washer 1/4" (6)
- Flat Head Screw 5/16-18 x 2" (6)
- Hex Head Screw M8 x 25mm (2)
- Hex Head Screw 5/16-18 x 1-1/2" (3)
- Hex Head Screw 1/4-20 x 1/2" (4)
- Hex Head Screw 1/4-20 x 3/4" (2)
- Hex nut 5/16-18 (9)

- **Hardware Pack for Biesemeyer Fence (#OR91666) includes: (Hardware finish is Zinc)**

- Flat Washer #10 (4)
- Round head Screw 10-32 x 3/8" (4)
- Knob (Black) (not shown)
- Cursor (not shown) (2)

- **Hardware Pack for Extension Wings (#OR92013) includes: (Hardware finish is Black Oxide)**

- Flat Washer M8 (8)
- Lock Washer M8 (8)
- Hex Head Screw M8x1.25 x 30mm (8)

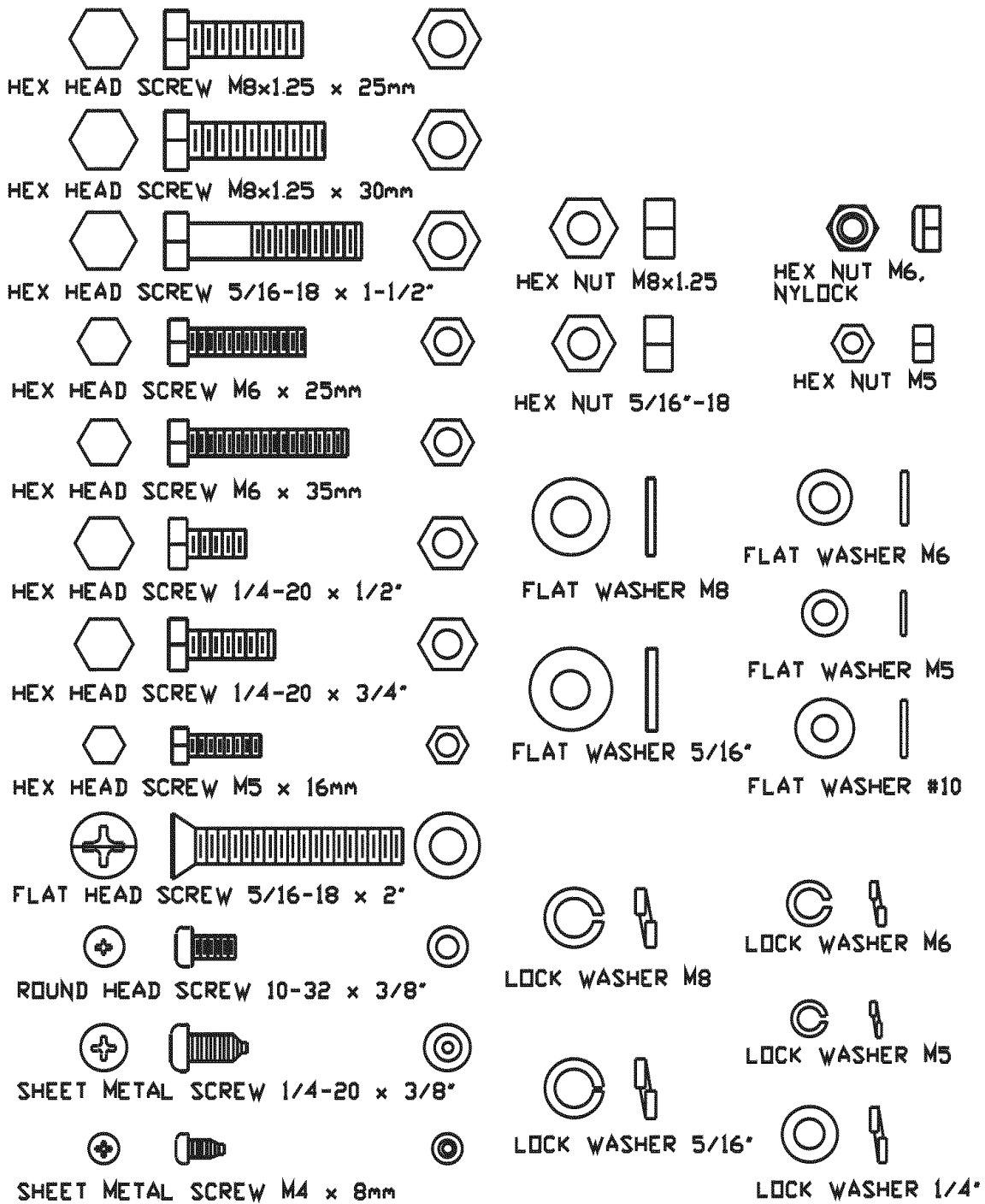
- **Hardware Pack for Outfeed Table (#OR92015) includes: (Hardware finish is Black Oxide)**

- Clamp Knob
- Flat washer M5 (16)
- Flat Washer M6 (2)
- Lock Washer M5 (8)
- Lock Washer M6 (2)
- Hex Head Screw M5 x 16mm (8)
- Hex Head Screw M6 x 25mm (2)
- Hex Head Screw 6 x 35mm (2)
- Hex Nut M5 (8)
- Hex Nut M6, Nylok (2)

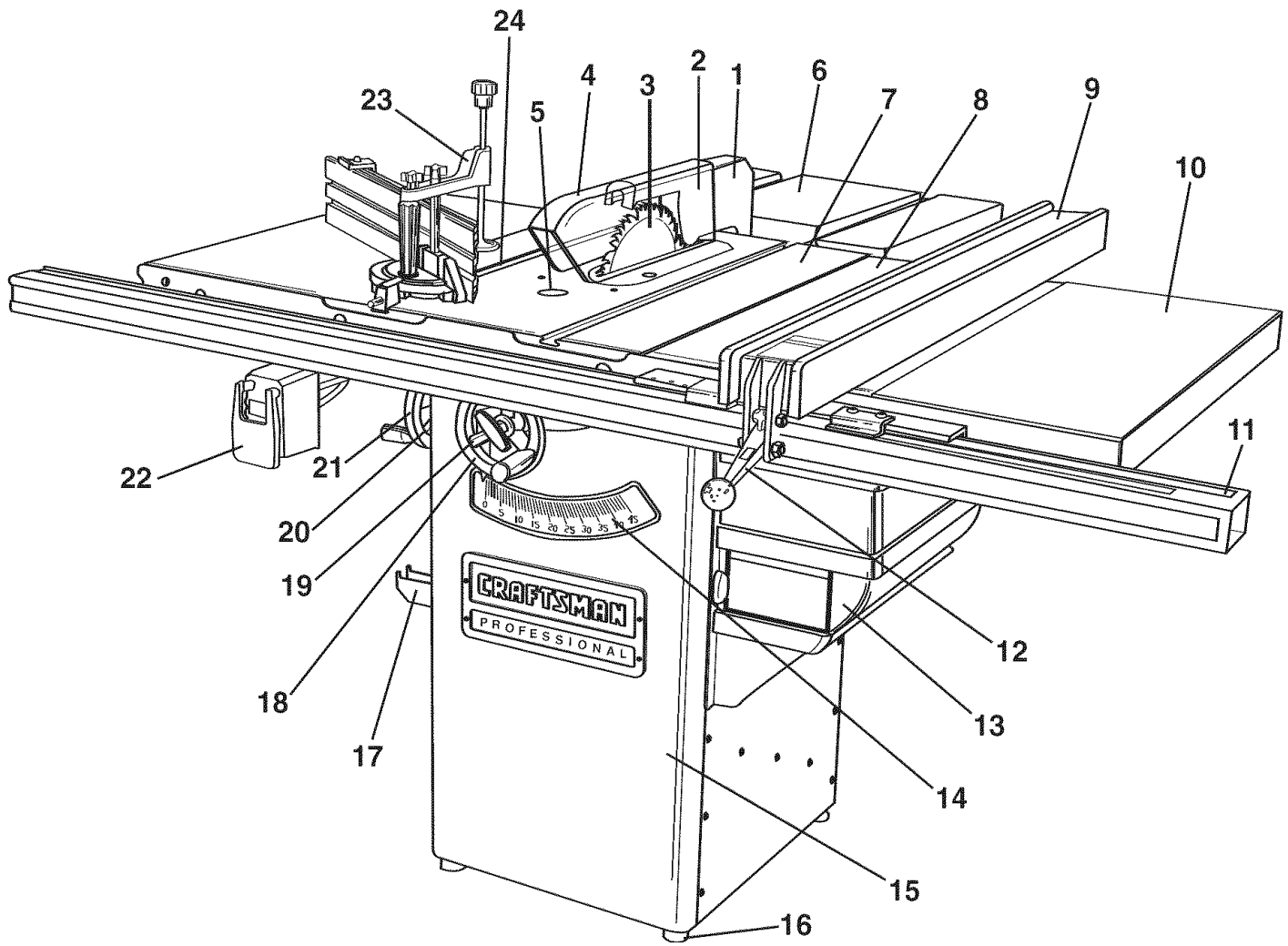
- **Miscellaneous Hardware: (Hardware finish is Black Oxide)**

- Sheet Metal Screw M4 x 8mm (6)
- Sheet Metal Screw 1/4-20 x 3/8" (4)

Fig. 3-5



KNOW YOUR TABLE SAW



- | | | |
|--------------------------|--|------------------------------|
| 1. Splitter assembly | 9. Biesemeyer commercial T-square fence | 17. Rip fence holder bracket |
| 2. Anti-kickback fingers | 10. Accessory Biesemeyer extension table | 18. Blade height handwheel |
| 3. Blade | 11. Front rail with scale | 19. Handwheel lock |
| 4. Blade guard | 12. Rip fence handle | 20. Bevel height handwheel |
| 5. Align-a-cut insert | 13. Motor cover | 21. Bevel handwheel lock |
| 6. Rear out-feed table | 14. Bevel scale | 22. On/Off switch |
| 7. Table surface | 15. Full cabinet | 23. Deluxe Miter gauge |
| 8. 12-in. cast iron wing | 16. Leveling foot | 24. Miter gauge groove |

ASSEMBLY INSTRUCTIONS

TOOLS REQUIRED

The following tools are needed for assembly and alignment. Note: Two blade wrenches and five hex wrenches are provided with your table saw. The remaining tools are typical shop tools and are not included with your table saw.

18mm wrench	3/16-in. hex wrench
13mm wrench	#2 Phillips screwdriver
10mm wrench	#3 Phillips screwdriver
8mm wrench	Pipe clamp
1/2-in. wrench	C-clamp (2)
7/16-in. wrench	Power drill with 5/16-in. drill bit

⚠ WARNING

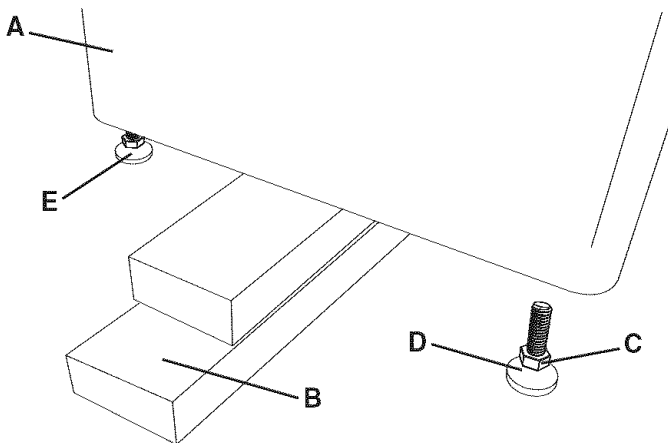
- The table saw is a heavy machine; two people may be required for certain assembly operations.
- **DO NOT** assemble the table saw until you are sure the tool is unplugged.
- **DO NOT** assemble the table saw until you are sure the power switch is in the "OFF" position.
- For your own safety, **DO NOT** connect the machine to the power source until the machine is completely assembled and you read and understand this entire Owner's Manual.

LEVELING FEET ASSEMBLY

⚠ WARNING

MAKE CERTAIN the table saw is disconnected from the power source.

Figure 4-1



NOTE: If you will be permanently attaching your table saw to the floor, **DO NOT** assemble leveling feet and go on to the next step.

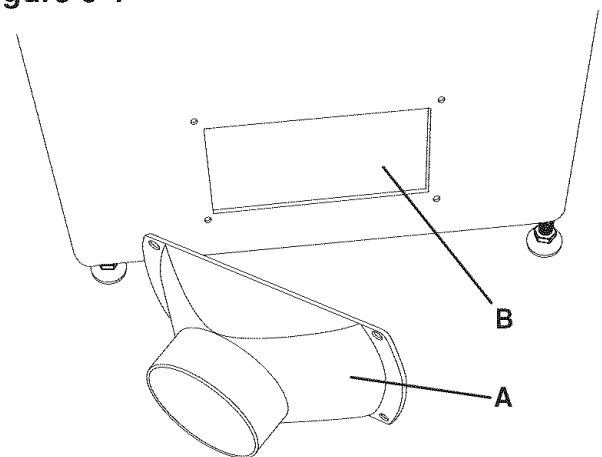
1. With two people, tip the front of the table saw (A) back and block the table saw up using two small blocks of scrap 2x4 lying horizontal (B). **CAUTION:** The table saw is heavy; two people are required for this operation. Make sure the table saw is sturdily supported before proceeding. See figure 4-1.
2. Make sure M8 hex nut (C) is completely threaded down on each of the four leveling feet (D). See figure 4-1.
3. Thread one leveling foot with hex nut to the bottom of both front corners of the cabinet (E). See figure 4-1.
4. Remove the scrap 2x4 blocks under the front of the table saw and place them under the back of the saw. Repeat these steps to attach two leveling feet to the rear corners of the cabinet.

DUST PORT ASSEMBLY

⚠ WARNING

MAKE CERTAIN the table saw is disconnected from the power source.

Figure 5-1



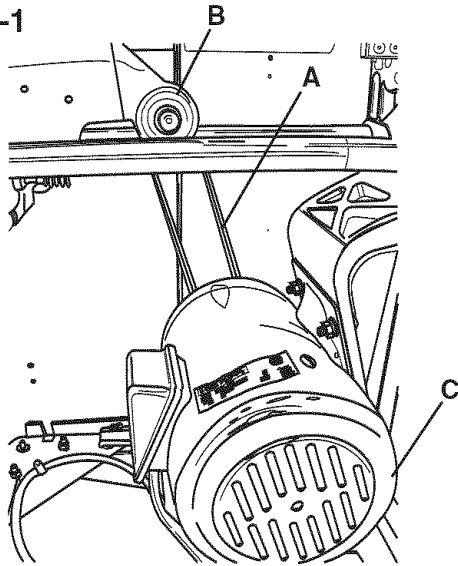
1. Attach the dust port (A) to the opening (B) in the bottom rear of the cabinet with four 1/4-20 x 3/8" round head tap screws, not shown. See figure 5-1.

POLY-V BELT ASSEMBLY

⚠ WARNING

MAKE CERTAIN the table saw is disconnected from the power source.

Figure 6-1



1. Make sure all packaging material has been removed from inside the cabinet.
2. Open the motor cover and place the motor Poly-V belt (A) over the blade pulley (B). See figure 6-1.
3. Carefully lift the motor (C) and place the belt under the motor pulley (not shown). Make sure all the v-notches in the belt are mated with the v-notches of the blade and motor pulley. See figure 6-1.
4. Carefully let the motor down and close motor cover.

EXTENSION WING ASSEMBLY

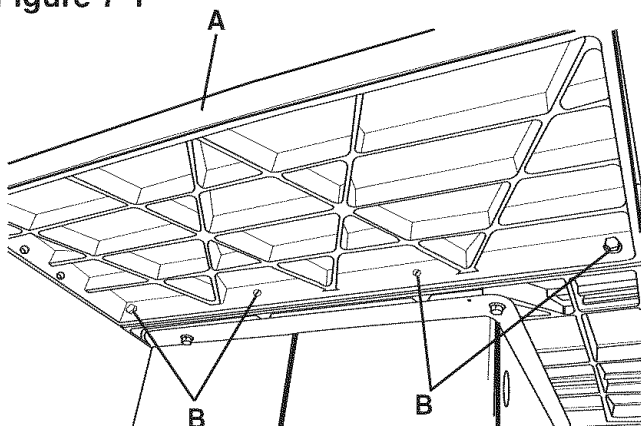
⚠ WARNING

MAKE CERTAIN the table saw is disconnected from the power source.

⚠ WARNING

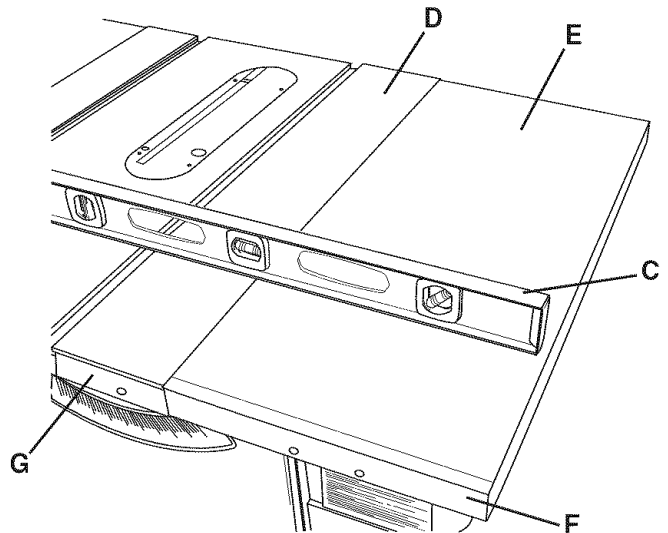
The right extension wing must be completely assembled and motor cover closed and fastened before table saw is to be connected to the power source.

Figure 7-1



1. **CAUTION:** The extension wings are heavy; two people are required to assemble both extension wings to the table saw.
2. Assemble one of the extension wings (A) to the left side of the table saw. Align the four holes (B) in the extension wing with the four holes in the left side of the saw table. Use four M8 x 30mm hex head screws, M8 lock washers and M8 flat washers. Do not completely tighten hardware at this time. See figure 7-1.

Figure 7-2



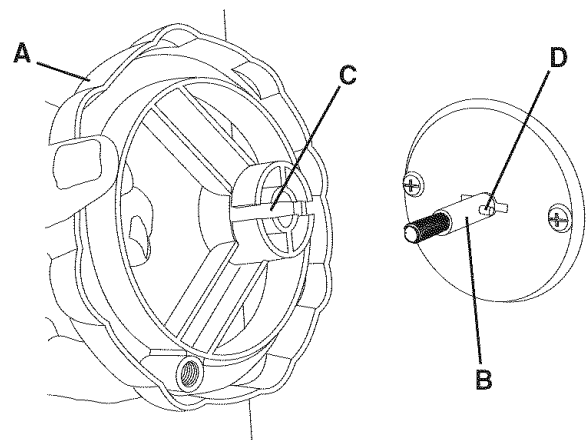
3. Lay a straight edge (C) across the saw table (D) and extension wing (E). Make sure that the front face of the extension wing (F) is flat to the front face of the saw table (G). Adjust the extension wing so that its top surface is exactly flat to the saw table and securely tighten hardware. See figure 7-2.
4. Repeat steps 2 and 3 above to assemble the other extension wing to the right side of the table saw.

HANDWHEEL ASSEMBLY

⚠ WARNING

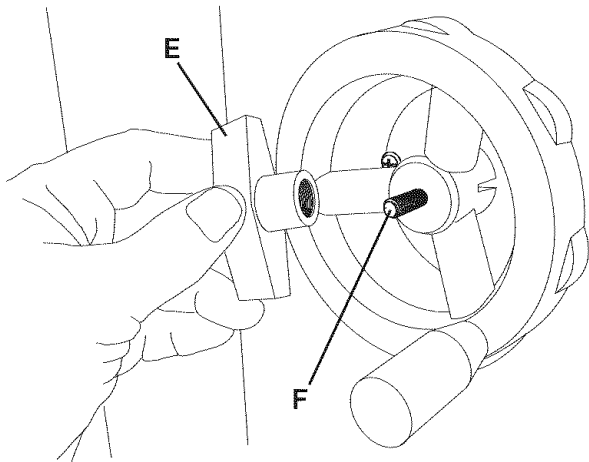
MAKE CERTAIN the table saw is disconnected from the power source.

Figure 8-1



1. Place one of the handwheels (A) onto the bevel shaft (B) located on the side of the cabinet. Align the groove (C) in the back of the handwheel with the pin (D). See figure 8-1.

Figure 8-2



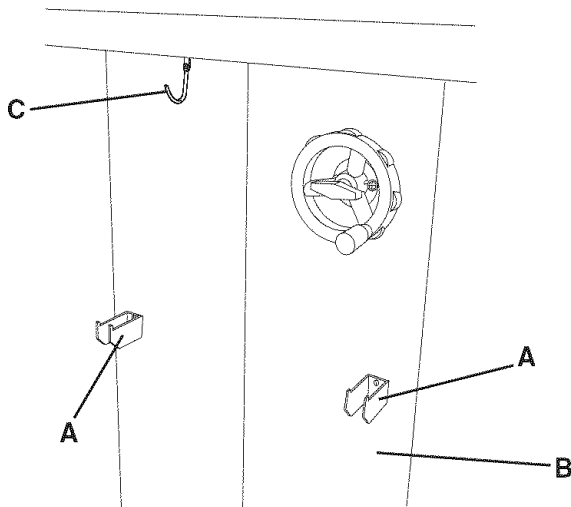
2. Thread the locking knob (E) onto the threaded end of the shaft (F). See figure 8-2.
3. Repeat the steps above to assemble the remaining handwheel and locking knob onto the blade raise/lower shaft located on the front of the cabinet.

WRENCH AND FENCE HOOK ASSEMBLY

⚠ WARNING

MAKE CERTAIN the table saw is disconnected from the power source.

Figure 9-1



1. Assemble both of the fence hooks (A) to the left side of the cabinet (B) using four M4 x 8mm sheet metal screws, not shown. See figure 9-1.
2. Assemble the wrench hook (C) above the fence hooks using two M4 x 8mm sheet metal screws, not shown. See figure 9-1.

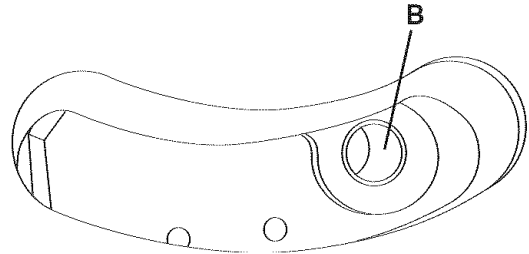
BLADE GUARD AND SPLITTER ASSEMBLY

⚠ WARNING

MAKE CERTAIN the table saw is disconnected from the power source.

1. Remove the table insert. Note: Remove the table insert retaining bolt used to secure the table insert to the saw table.

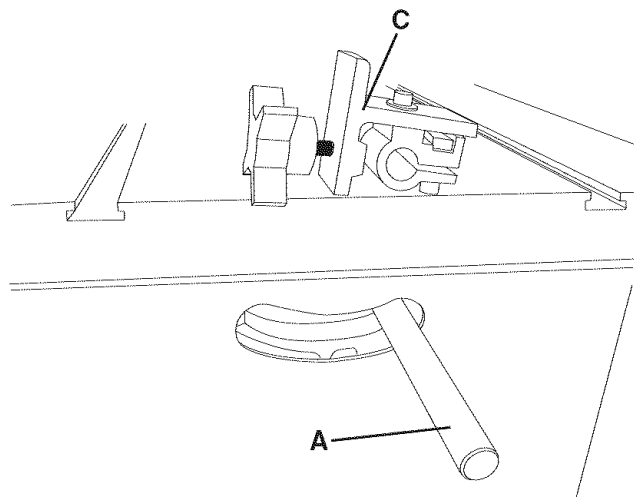
Figure 10-1



2. Place the threaded end of the mounting splitter rod (A) through the hole (B) in the rear of the cabinet. Place a M12 hex nut (not shown) onto the threaded end of the mounting splitter rod inside of the cabinet and tighten securely. See figure 10-1 and 10-2.

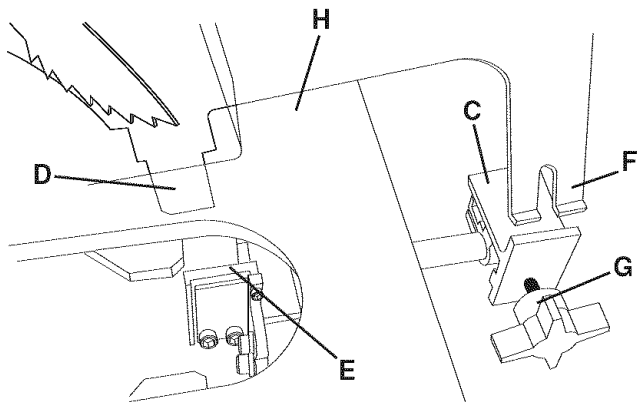
Note: Place an 18mm wrench on 12mm hex nut and a 13mm wrench on flats of the splitter rod and tighten.

Figure 10-2



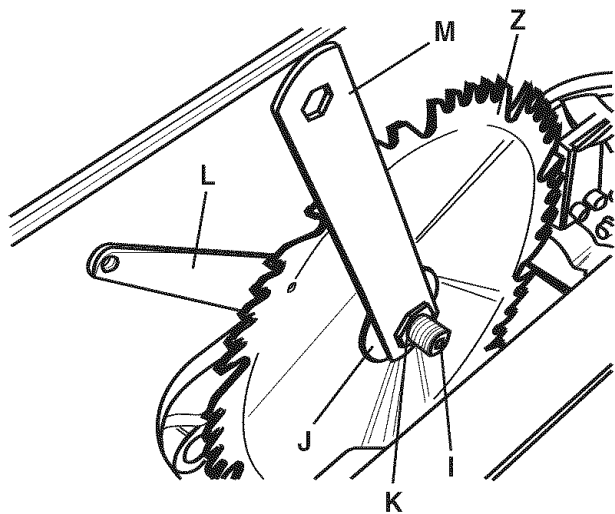
3. Place the splitter bracket assembly (C) onto the mounting splitter rod. See figure 10-2 and 10-3.

Figure 10-3



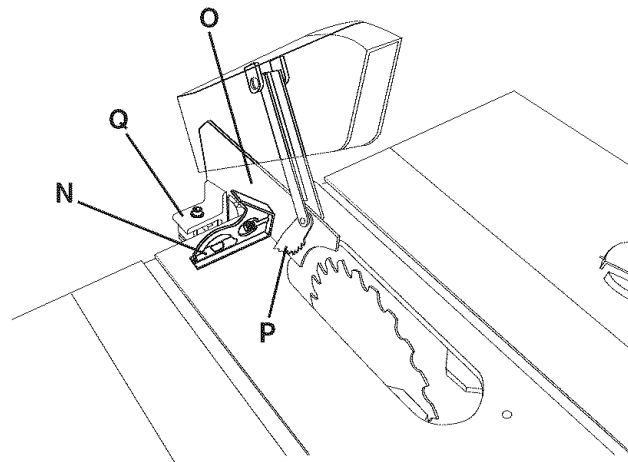
4. Place the front attachment point (D) of the blade guard and splitter assembly (H) down into the tool-less front attachment point (E). Place the rear attachment slot (F) onto the threads of the splitter bracket knob (G); securely tighten splitter bracket knob. Note: The splitter bracket assembly will need to be positioned to fit the blade guard and splitter assembly on the mounting splitter rod. See figure 10-3.
5. Remove the hex nut (K) and outer flange (J) from the blade arbor (I). Note: The arbor has a right hand thread; to loosen the hex nut turn it counter-clockwise. See figure 10-4.

Figure 10-4



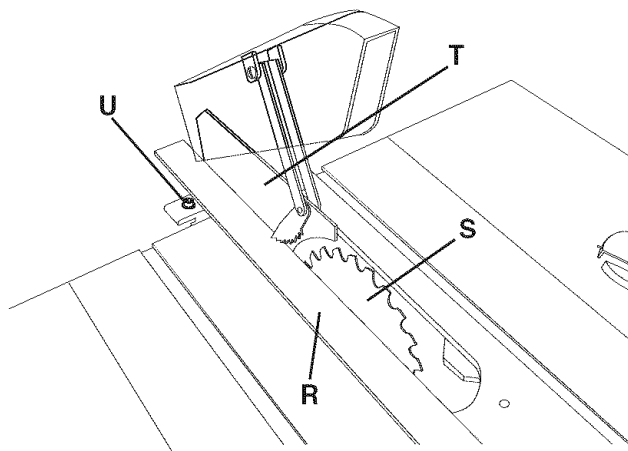
6. Place 10" saw blade (Z) onto blade arbor (I); make sure the teeth of the blade are pointing down in the front of the table saw. Place the outer flange (J) and hex nut (K) onto the blade arbor and snug hex nut by hand. Place the open-end blade wrench (L) on the flats of the inner blade flange (not shown) and the box-end blade wrench (M) onto the hex nut and securely tighten. Note: The blade arbor has a right hand thread; to tighten the hex nut turn it clockwise. See figure 10-4.

Figure 10-5



7. Place a square (N) onto the saw table and against the splitter assembly (O) behind the kickback fingers (P). Make adjustments to the splitter bracket assembly (Q) so that the splitter is square to the saw table. Once square, tighten the two hex socket head screws on the bottom of the splitter bracket assembly. See figure 10-5.

Figure 10-6



8. Lay a straight edge (R) against the left side of the saw blade (S). Align the splitter (T) so that it is in a straight line with the blade and tighten the one hex socket head screw (U) on top of the splitter bracket assembly. See figure 10-6.
9. Replace table insert and tighten table insert retaining bolt removed in step 1.
10. If there is any problem with the front splitter attachment bracket being out-of-square to the saw table or blade alignment, see "ALIGNING SPLITTER BRACKET" in the Operations and Adjustments section of this manual.

BIESEMEYER®

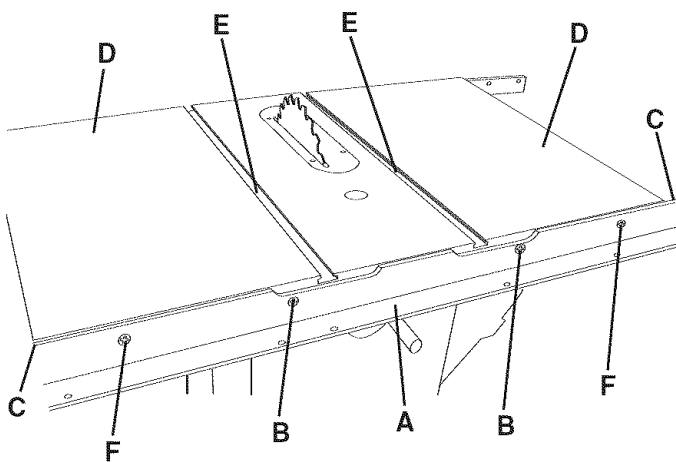
BIESEMEYER® T-SQUARE® COMMERCIAL RIP FENCE SYSTEM ASSEMBLY

FRONT AND REAR RAIL ASSEMBLY

⚠ WARNING

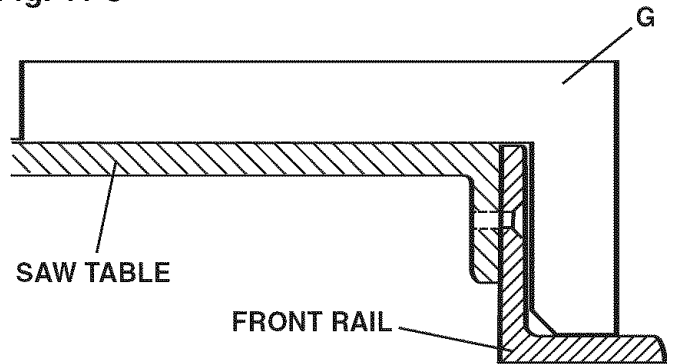
MAKE CERTAIN the table saw is disconnected from the power source.

Figure 11-1



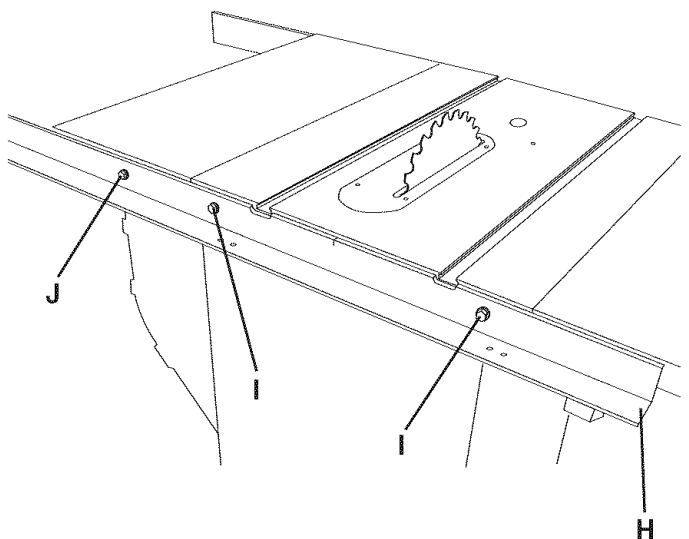
1. Position front rail (A) against front edge of saw table. Align the two holes on the front rail (B) with the two holes in the saw table and fasten the rail to the table using two 5/16-18 x 2" flat head screws, 5/16" flat washers, 5/16" lock washers and 5/16-18 hex nuts. Do not completely tighten the mounting hardware at this time. See figure 11-1.
2. Make sure the top edge (C) of the front rail is below the top of the saw table (D) and that the front rail is not blocking the ends of the miter gauge grooves (E).
3. Finish fastening the front rail to the extension wings with two 5/16-18 x 2" flat head screws, 5/16" flat washers, 5/16" lock washers and 5/16-18 hex nuts through the two holes (F) in the extension wings. Do not completely tighten the mounting hardware at this time. See figure 11-1.

Fig. 11-3



4. Using the template (G), check and adjust front rail parallel to the table surface on both sides of the saw table. See figure 11-3.
5. When you are sure that the front rail is exactly parallel to the table surface, securely tighten front rail mounting hardware.

Figure 11-4



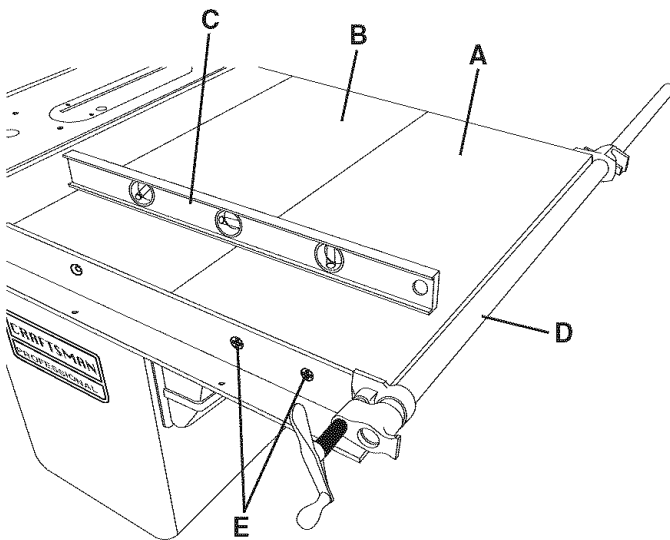
6. Position rear rail (H) against back edge of saw table. Align the two holes (I) on the rear rail with the two holes in the saw table and fasten the rail to the table using two M8 x 25mm hex head screws, M8 lockwashers, and M8 flat washers. Do not completely tighten the mounting hardware at this time. See figure 11-4.
7. Align the one hole on the rear rail (J) with the hole in the right extension wing and fasten the rail using 5/16-18 x 1-1/2" hex head screw, 5/16" flat washer, 5/16" lock washer and 5/16-18 hex nut. Do not completely tighten the mounting hardware at this time. See figure 11-4.

IMPORTANT: Do not use template supplied to set the rear rail.

8. Make sure the top edge of the front rail is below the top of the saw table and that the front rail is not blocking the ends of the miter gauge grooves.
9. When you are sure that the rear rail is properly aligned and it is parallel to the table surface, securely tighten rear rail mounting hardware.

BIESEMEYER EXTENSION TABLE ASSEMBLY

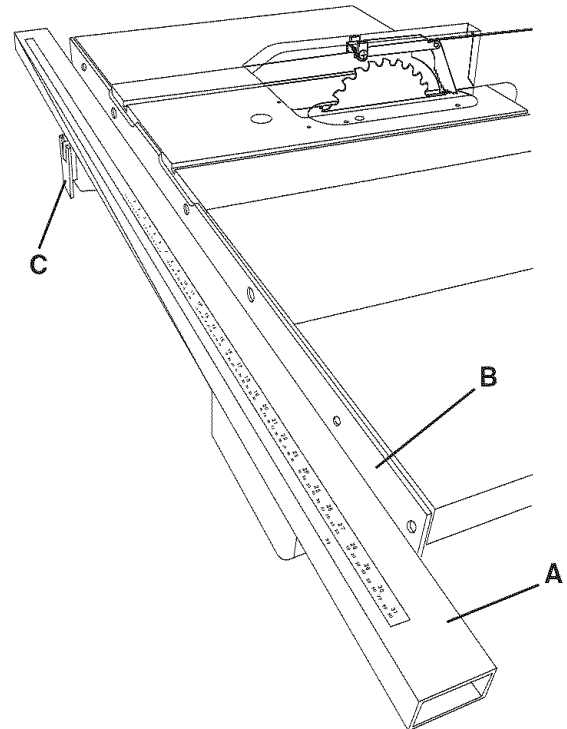
Figure 11-6



1. Place the Biesemeyer extension table assembly (A) in position between the front and rear rails. Make sure the edge of the extension table assembly is flush against the right side of the extension wing (B). Using a straight edge or level (C) make certain the extension table is level to the saw table. Using a pipe clamp (not supplied) (D) snug up the ends of rails to hold the extension table in position. It may be necessary to clamp extension wing (B) and the extension table (A) together; use two c-clamps underneath the table surface. See figure 11-6.
2. Drill four 5/16" holes (E) through extension table assembly using existing holes in the front and rear rails. See figure 11-6.
3. After the holes have been drilled, fasten the front rail to the extension table using two 5/16-18 x 1-1/2" flat head screws, 5/16" flat washers, 5/16" lock washers and 5/16-18 hex nuts. Fasten the rear rail to the extension table using two 5/16-18 x 1-1/2" hex head screws, 5/16" flat washers, 5/16" lock washers and 5/16-18 hex nuts. Make sure the extension table is still level with the saw table before securely tightening hardware. Remove all clamps.

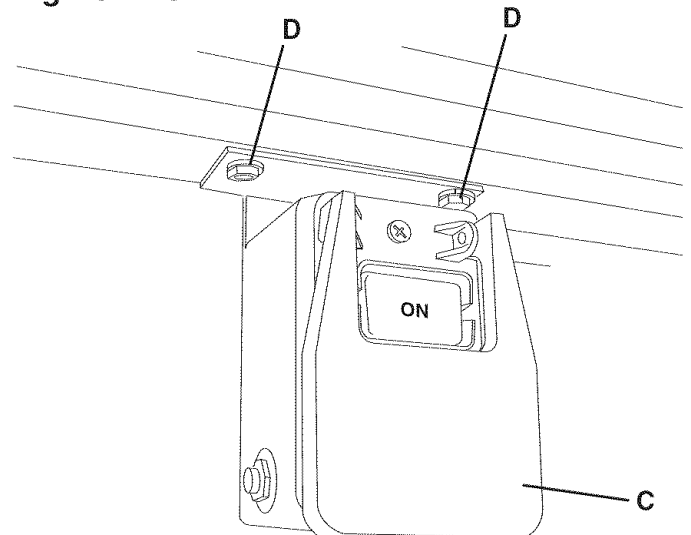
GUIDE TUBE AND SWITCH ASSEMBLY

Figure 11-7



1. Align the four threaded holes in the bottom of the guide tube (A) with the four holes in the right side of the front rail (B). Fasten the guide tube to the front rail with four 1/4-20 x 1/2" hex head screws and 1/4" lock washers. Do not tighten screws at this time. See figure 11-7.

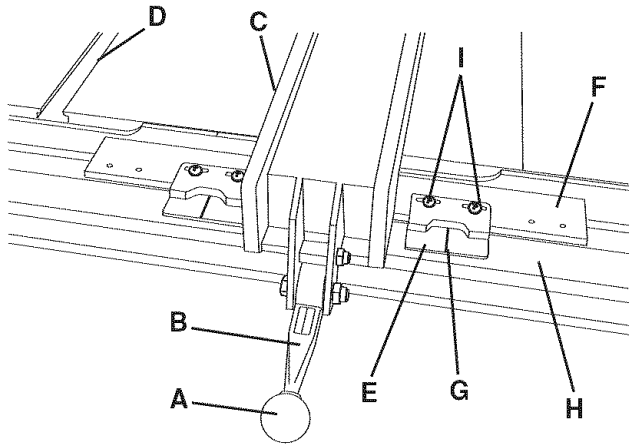
Figure 11-8



2. Attach switch (C) to the two tapped holes (D) in the far left bottom of the guide tube with two 1/4-20 x 3/4" hex head screws and 1/4" lock washers. See figure 11-8.
3. Make sure the guide tube is parallel to the front rail before tightening all six screws.

KNOB AND CURSOR ASSEMBLY

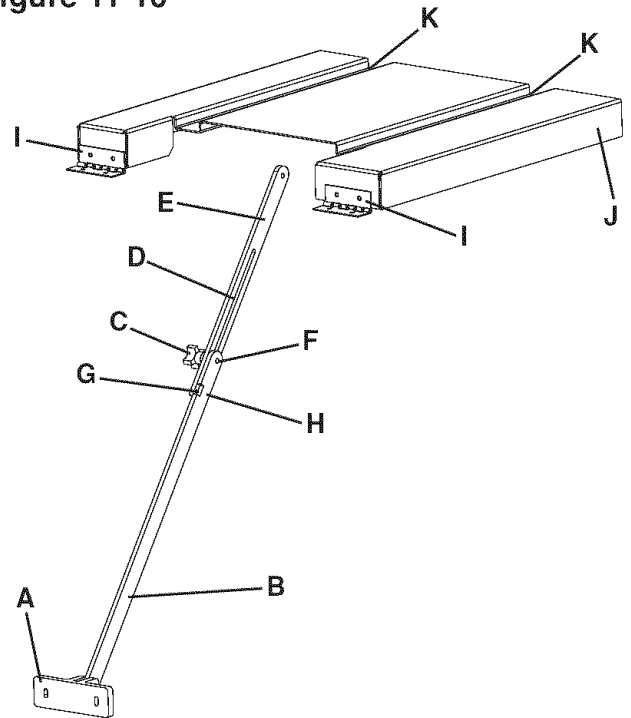
Figure 11-9



1. Thread knob (A) onto fence locking handle (B). Turn knob clockwise to screw it onto threads of fence locking handle. See figure 11-9.
2. Align left fence side (C) at a distance from the right side (D) of the right miter gauge groove and lock the fence.
3. Use a measuring tape to measure the distance from the saw blade right side to the left fence side.
4. Assemble the cursor (E) to the right side of the fence cross arm (F) with two #10-32 x 3/8" round head screws and #10 flat washers (I). Do not completely tighten screws.
5. Align cursor with the guide tube measuring scale (H) so that the thin black line (G) is on the same number as the distance measured in Step 3. Tighten the cursor screws.
6. Remove fence from table and reposition it on left side of saw blade. Align right fence side at a distance from the left side of left miter gauge groove and lock the fence.
7. Use a measuring tape to measure the distance from the saw blade left side to the right fence side.
8. Assemble the second cursor to left side of fence cross arm with two #10-32 x 3/8" round head screws and #10 flat washers. Do not completely tighten screws.
9. Align cursor with the guide tube measuring scale so that the thin black line is on the same number as the distance measured in Step 7. Tighten the cursor screws.

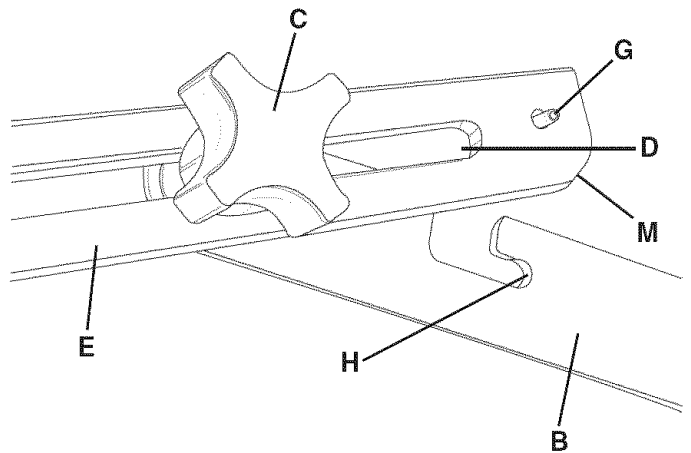
OUTFEED TABLE ASSEMBLY

Figure 11-10



1. Attach support retainer (A) to the lower rear of the cabinet with two M6 x 25mm hex head screws, M6 lock washers and M6 flat washers. Do not completely tighten hardware. See figure 11-10.
2. Assemble the lower support (B) to the support retainer with one M6 x 35mm hex head screw and M6 Nylok hex nut. Be sure that the notch (H) in the lower support is facing up. Do not completely tighten hex nut. Allow lower support to move freely. See Figure 11-10 and 11-11.

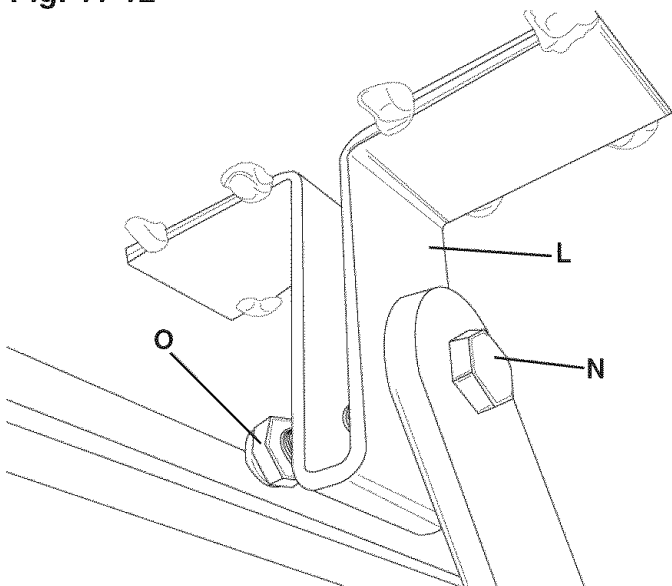
Figure 11-11



3. Place clamp knob (C) through slot (D) of upper support assembly (E), making sure that the rounded corner (M) of the upper support is facing towards notch (H) in lower support. Thread clamp knob into threaded hole of lower support.

4. Fold out lower and upper support arms straight, so that the pin (G) in the upper support goes into notch (H) of lower support and securely tighten clamp knob.
5. Assemble both hinge assemblies (I) to the outfeed table assembly (J) with four M5 x 16mm hex head screws, M5 lock washers, M5 flat washers. Secure the hex head screws with four M5 flat washers and M5 hex nuts placed under the outfeed table. Do not completely tighten hardware.
6. Assemble the hinges on the outfeed table to the top of the rear rail through existing holes with four M5 x 16mm hex head screws, M5 lock washers, M5 flat washers. Secure the hex head screws with four M5 flat washers and M5 hex nuts placed under the rear rail. Do not completely tighten hardware.

Fig. 11-12



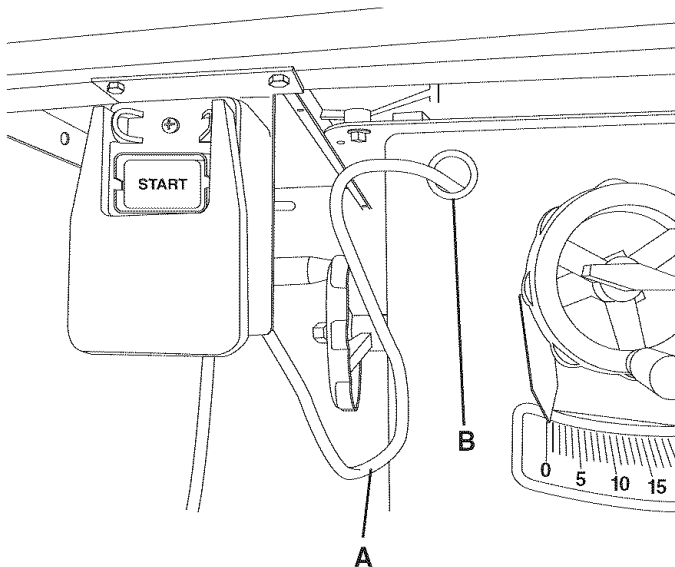
7. Attach upper support assembly to tab (L) underneath outfeed table using one M6 x 35 hex head screw (N) and one M6 Nylok hex nut (O). Do not completely tighten hex nut. Allow upper support to move freely. See figure 11-12.
8. Tighten hardware attaching the hinges to both rear rail and outfeed table.
9. Make sure the clearance miter gauge grooves (K) in the outfeed table align with the table saw's miter gauge grooves. Place a straight edge on the saw table overhanging the outfeed table. Make sure the outfeed table is level or slightly below the saw table and securely tighten hardware attaching support retainer to cabinet.

CONNECTING SWITCH CORD TO MOTOR CORD

⚠ WARNING

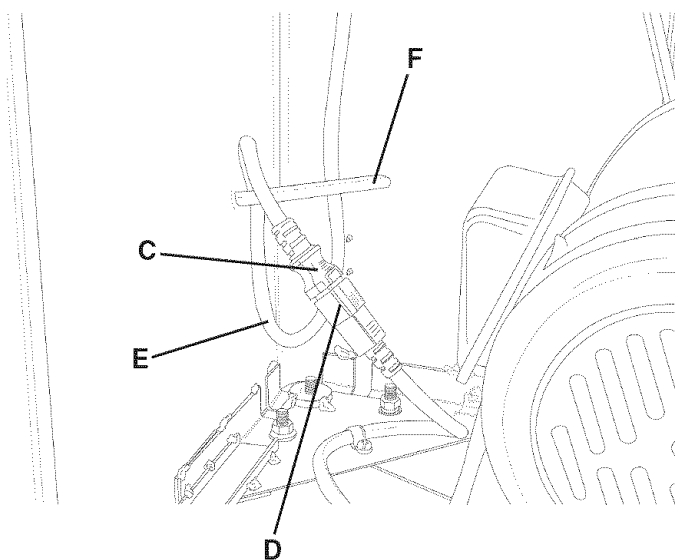
MAKE CERTAIN the table saw is disconnected from the power source.

Fig. 12-1



1. Place the switch cord (A) through hole (B) in front of cabinet. See figure 12-1.
2. Open motor cover, plug switch cord (C) into motor cord (D). See figure 12-2.
3. Pull slack in switch cord into the cabinet.

Fig. 12-2



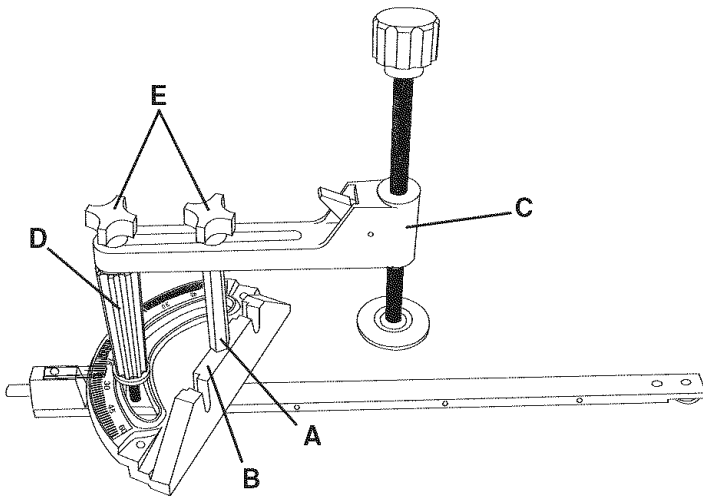
4. Make a loop (E) from the slack of the switch cord and place it behind cord retaining bar (F). See figure 12-2.

MITER GAUGE ASSEMBLY

⚠ WARNING

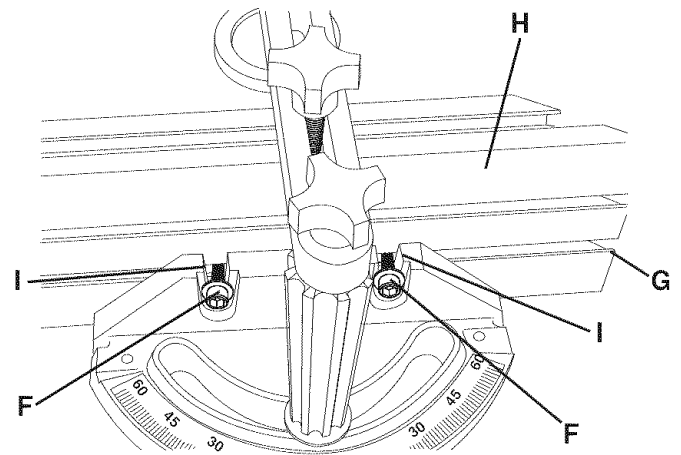
MAKE CERTAIN the table saw is disconnected from the power source.

Figure 13-1



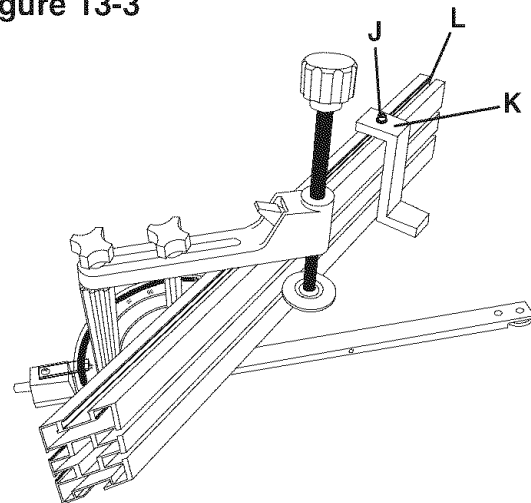
1. Thread elevating rod (A) into the top threaded hole in the miter gauge body (B). See figure 13-1.
2. Place clamp assembly (C) on top of the miter gauge knob (D) and elevating rod. Place two knobs (E) through the slot in the clamp assembly and thread one knob into miter gauge knob and one into the elevating rod. Position clamp assembly as shown and tighten both knobs. See figure 13-1.
3. Place one M5 flat washer onto one M5 x 20mm hex socket head screw. Thread one M5 square nut onto the hex socket head screw until the screw is flush with the back of the square nut. Repeat this for one more flat washer, hex socket head screw and square nut.

Figure 13-2



4. Slide both of the square nuts with hex socket head screw and flat washer (F) into the lower T-slot (G) of the cross cut fence (H). See figure 13-2.
5. Place the thread section of the hex socket head screws into the grooves (I) of the miter gauge body. Make sure the flat washers are against the heads of the hex socket head screws. See figure 13-2.
6. Position the cross cut fence so that no part of the fence is in the path of the saw blade. Allow the cross cut fence to rest on the saw table and securely tighten both hex socket head screws.

Figure 13-3



7. Place one M5 flat washer onto one M5 x 20mm hex socket head screw (J). Place this through the hole in the top of the depth stop (K). Thread one M5 square nut onto the hex socket head screw until the tip of the screw is flush with the back of the square nut. See figure 13-3.
8. Slide the square nut and depth stop into the top T-slot (L) of the cross cut fence. See figure 13-3.
9. Position depth stop as desired and tighten the hex socket head screw.

Note: Storage hooks for crosscut fence are located under motor cover.

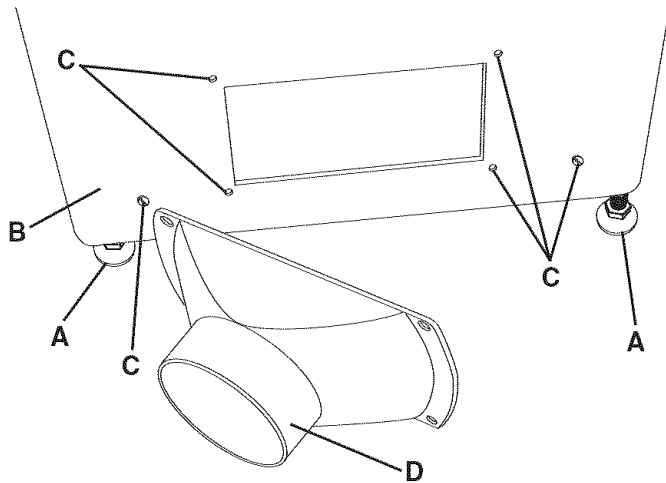
BOLTING TABLE SAW TO THE FLOOR

⚠ WARNING

MAKE CERTAIN the table saw is disconnected from the power source.

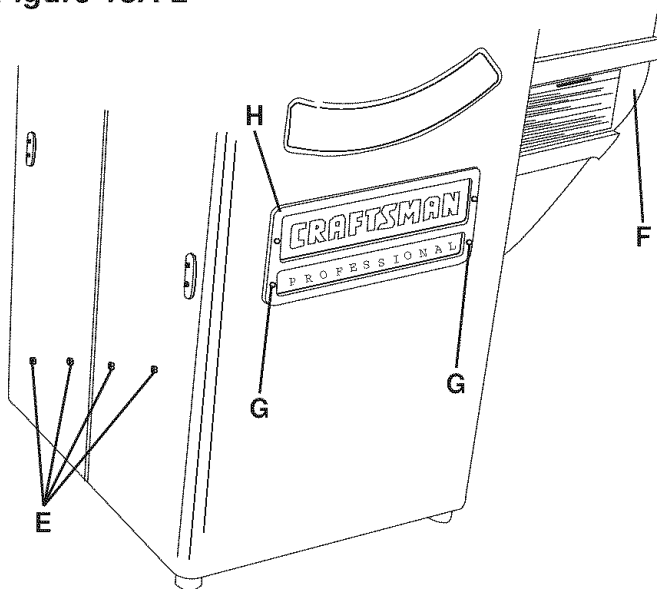
If you wish, the table saw can be permanently mounted to the floor. To attach to the floor, see instructions below.

Figure 13A-1



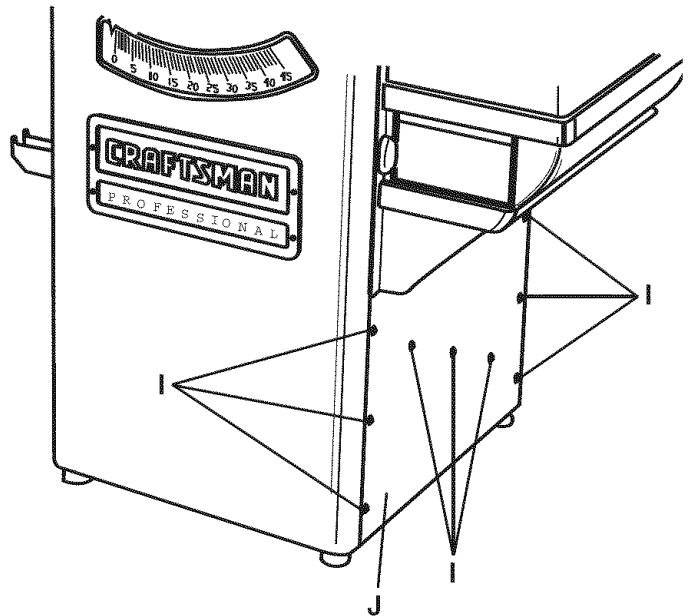
1. Remove the four leveling feet (A) from the table saw (B). See Figure 13A-1.
2. Remove six Phillip head screws (C) and remove dust spout (D) from the back of the cabinet.

Figure 13A-2



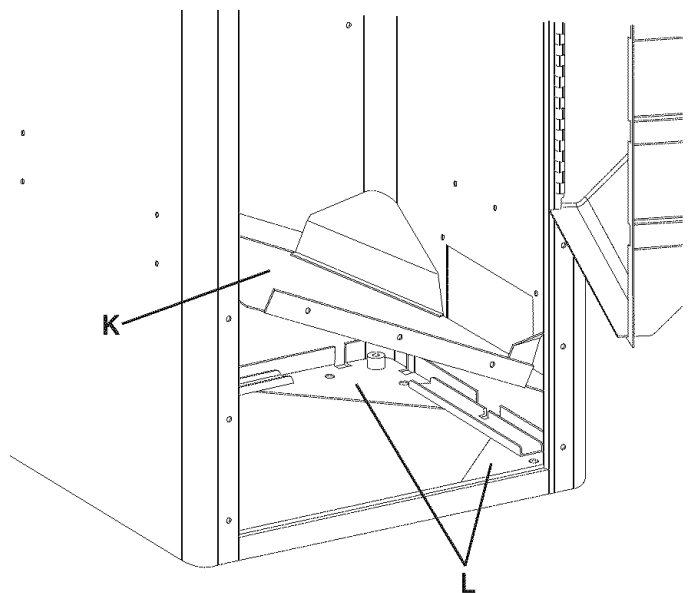
3. Remove four Phillip head screws (E) from the left side of the cabinet. See figure 13A-2.
4. Open the motor cover (F) and remove the two Phillip head screws (G) from the CRAFTSMAN nameplate (H). NOTE: These two Phillip head screws have hex nuts on the inside of the cabinet.

Figure 13A-3



5. Remove nine Phillip head screws (I) from the right side of the cabinet. Remove the two miter gauge fence hooks and the side panel (J). See figure 13A-3.

Figure 13A-4



6. Open motor cover and remove dust chute (K).
7. Position the table saw where you want it permanently mounted.
8. Mark the floor through the holes in the four bottom corner brackets (L).
9. Move the table saw out of the way and drill pilot holes at the four locations marked.
10. Attach the table saw to the floor using appropriate hardware (not included).

OPERATIONS AND ADJUSTMENTS

CAUTION

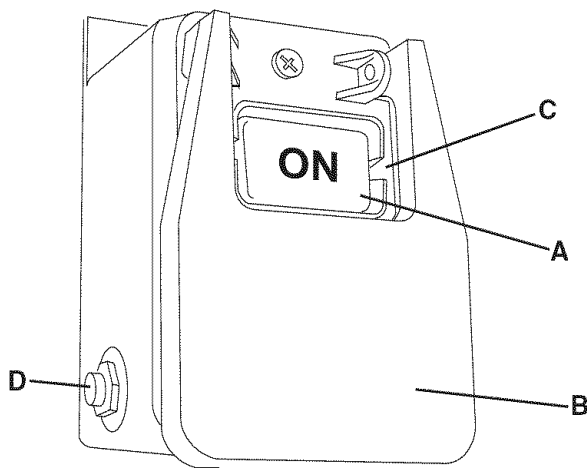
- A separate electrical circuit should be used for your table saw. The table saw comes pre-wired for 120-volt use. The circuit should not be less than #14 AWG wire and should be protected with a 15-amp time lag fuse.
- Have a qualified electrician repair or replace damaged or worn cord immediately.
- Before connecting the motor to the power line, make certain the switch is in the "OFF" position and be sure that the electric current is of the same characteristics as the motor nameplate. All line connections should make good contact.
- Running on low voltage or long extension cords will damage the motor.

⚠ WARNING

- **DO NOT** expose the table saw to rain or operate the in damp locations.
- **MAKE SURE** all parts have been assembled correctly and are in working order.
- **KEEP** table surface clear of tools and debris before starting table saw.

STARTING AND STOPPING THE SAW

Figure 14-1



1. The ON/OFF switch is located under the front rail on the table saw.
2. To turn the table saw on, press the green "ON" button (A) in one-half inch. Note: There is a safety feature on the switch to insure that the switch must be completely pressed before the saw will START. See figure 14-1.
3. To turn the table saw off, press the large red "OFF" paddle (B) or lift the paddle and press directly on the red "OFF" button. See figure 14-1.

LOCKING ON/OFF SWITCH

1. When the table saw is not in use, the "ON" button should be locked so that it cannot be started.
2. Using the padlock included with your table saw, lift the red "OFF" paddle and place the padlock through the holes (C) in the side of the "ON" button and then lock the padlock. Make sure keys have been removed from padlock and placed where no children can get them. See figure 14-1.
3. To use the table saw, unlock and remove the padlock from the "ON" button.

THERMAL-OVERLOAD PROTECTION

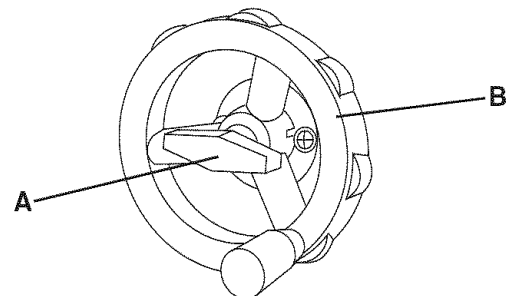
⚠ WARNING

- Turn the power switch "OFF" and unplug the power cord from its power source prior to doing or performing any maintenance.
- Make certain that the "OFF" button has been depressed before pushing the thermal-overload reset button.

The motor supplied with your table saw has a resettable thermal-overload relay (D), see figure 14-1. If the motor shuts off during an operation (cutting a workpiece too fast or using a dull blade, using the saw beyond its capacity, or low voltage) press the "OFF" button and let the motor cool three to five minutes. Push the reset thermal-overload button on the side of the ON/OFF switch assembly. Make certain that the saw blade and work area has been cleared of debris before restarting saw. The motor can now be turned on again.

RAISING AND LOWERING THE BLADE

Figure 15-1



The blade height adjustment handwheel and handwheel lock knob are located on the front of the cabinet above the blade bevel scale. To raise the saw blade, loosen the handwheel lock knob (A) (counterclockwise) and turn the handwheel (B) clockwise. When the saw blade is at its desired height, tighten the handwheel lock knob (clockwise) until it is securely tightened. See figure 15-1.

To lower the saw blade, loosen the handwheel lock knob (counterclockwise) and turn the handwheel counterclockwise. When the saw blade is at its desired height, tighten the handwheel lock knob (clockwise) until it is securely tightened.

TILTING THE BLADE

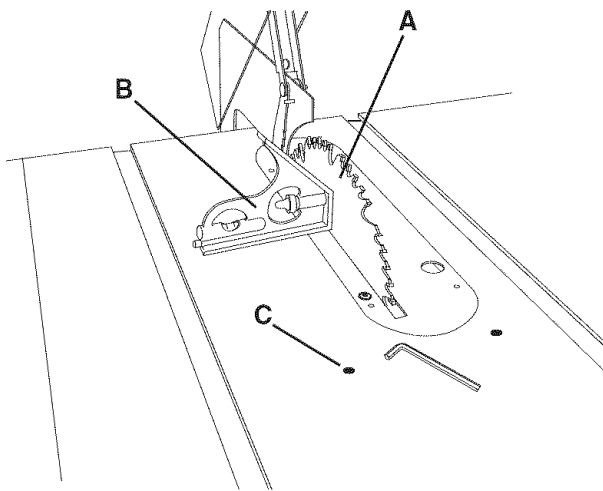
The blade bevel handwheel and handwheel lock knob are located on the left side of the cabinet. To increase the saw blade bevel, loosen the handwheel lock knob (A) (counterclockwise) and turn the handwheel (B) clockwise. When the saw blade is at its desired degree, tighten the handwheel lock knob (clockwise) until it is securely tightened. See figure 15-1.

To return the saw blade bevel to zero degrees, loosen the handwheel lock knob (counterclockwise) and turn the handwheel counterclockwise. When the saw blade is back to zero degrees it will come into contact with the adjustable positive stop which will cause the blade to stop. Tighten the handwheel lock knob (clockwise) until it is securely tightened.

To tilt the blade bevel to 45-degrees, loosen the handwheel lock knob (counterclockwise) and turn the handwheel clockwise. When the saw blade is at 45-degrees it will come into contact with the adjustable positive stop which will cause the blade to stop. Tighten the handwheel lock knob (clockwise) until it is securely tightened.

ADJUSTING BLADE BEVEL POSITIVE STOPS

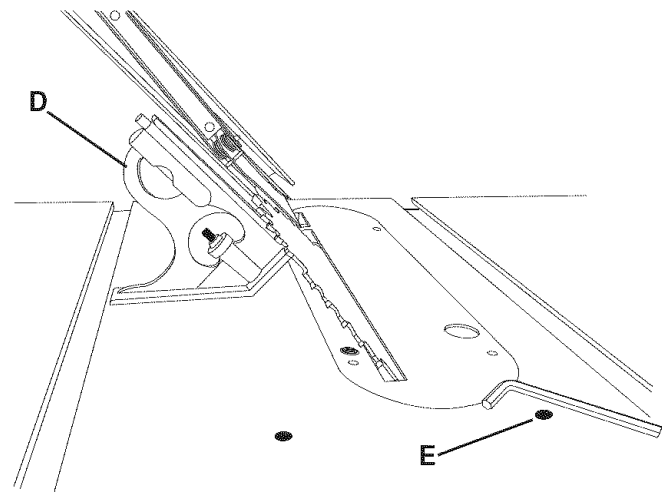
Figure 16-1



1. To adjust blade to a 90-degree blade bevel positive stop, raise the saw blade (A) to its highest position. See figure 16-1.
2. Using a combination square (B) check that the blade is 90-degrees to the saw table (zero degrees on bevel scale). See figure 16-1.

3. If the blade will not tilt to 90-degrees, turn (counterclockwise) the set screw (C) in the left hand side of the saw table until the blade can be positioned to 90-degrees. Tighten bevel handwheel lock knob, located on the left side of the cabinet. This will keep the blade from further tilting and check that the set screw is contacting positive stop. See figure 16-1.
4. Once the blade has been tilted to 90-degrees, tighten bevel handwheel lock knob, located on the left side of the cabinet. This will keep the blade from further tilting. Turn the set screw clockwise until it comes in contact with the positive stop.

Figure 16-2

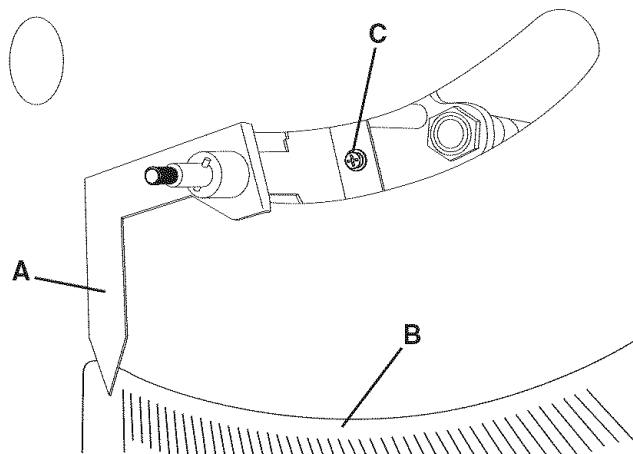


5. To adjust blade to a 45-degree blade bevel positive stop, raise the saw blade to its highest position.
6. Using a combination square (D) check that the blade is 45-degrees to the saw table (45-degrees on bevel scale). See figure 16-2.
7. If the blade will not tilt to 45-degrees, turn (counterclockwise) the set screw (E) in the right hand side of the saw table until the blade can be positioned to 45-degrees. Tighten bevel handwheel lock knob, located on the left side of the cabinet. This will keep the blade from further tilting and check that the set screw is contacting positive stop. See figure 16-2.
8. Once the blade has been tilted to 45-degrees, tighten bevel handwheel lock knob, located on the left side of the cabinet. This will keep the blade from further tilting. Turn the set screw clockwise until it comes in contact with the positive stop.

BEVEL ARROW ADJUSTMENT

1. Make certain that the blade is at 90-degrees to the table surface with a combination square. See figure 16-1.

Figure 17-1



2. Check that the bevel arrow (A) is pointing to the zero degree mark on the bevel scale (B) located on the front of the cabinet. See figure 17-1.
3. To adjust arrow, loosen the Philips head screw (C) and reposition the bevel arrow and tighten screw. See figure 17-1.

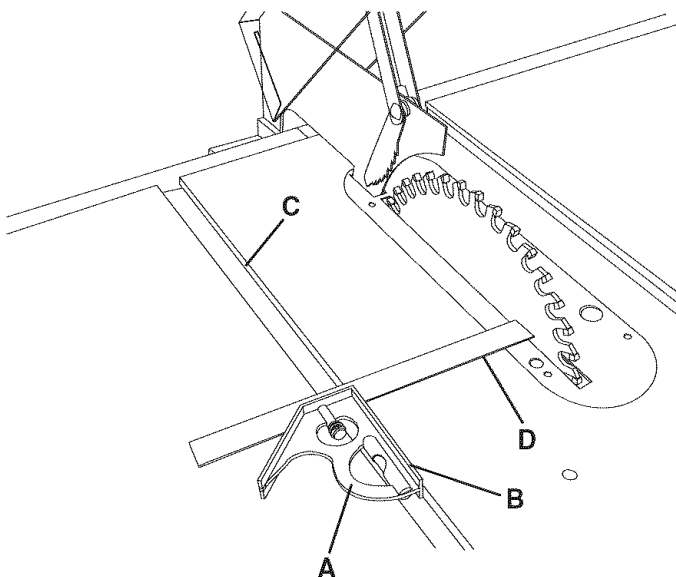
CHECKING BLADE ALIGNMENT

Blade heel is the alignment of the blade to the miter slots. This means when the blade is not parallel to the miter slots, it is heeling. The blade is set parallel at the factory and should not need any adjustments. You can check this by using a dial indicator (not included) or a combination square (not included). It is recommended to check the alignment before initial operation as follows:

⚠ WARNING

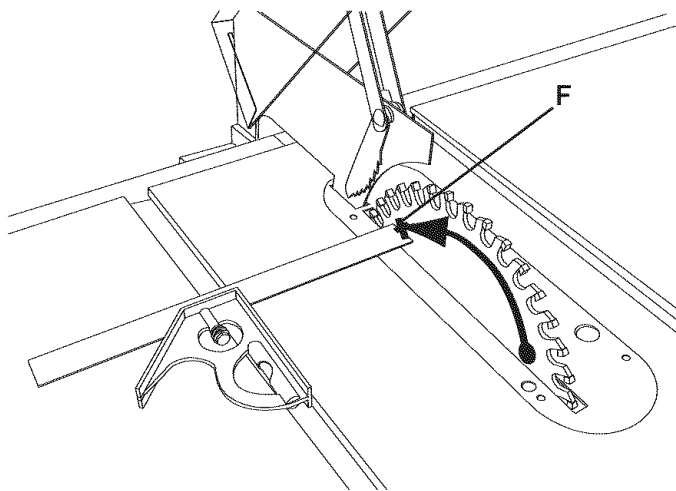
MAKE CERTAIN the table saw is disconnected from the power source.

Fig. 17A-1



1. Raise the saw blade to its highest point.
2. Place a combination square (A) on the saw table with one edge (B) of the square against the left miter slot (C). See figure 17A-1.
3. Adjust the square so the rule (D) just touches the saw blade about 1 inch in from the outer diameter. Make sure the rule is not touching any of the carbide tips of the saw blade.
4. Lock the rule in this position.
5. This dimension should be around 5-1/2 inch, plus or minus 3/32 of an inch.

Fig. 17A-2



6. Rotate the saw blade back so that you take the measurement from the same spot on the saw blade. See figure 17A-2.
7. Take a reading at the rear of the blade (E) with the combination square. If there is a difference of more than four pieces of standard printer paper between the rule and the blade, then adjustment will have to be made.
8. If an adjustment is necessary, see "ADJUSTING BLADE ALIGNMENT."

ADJUSTING BLADE ALIGNMENT

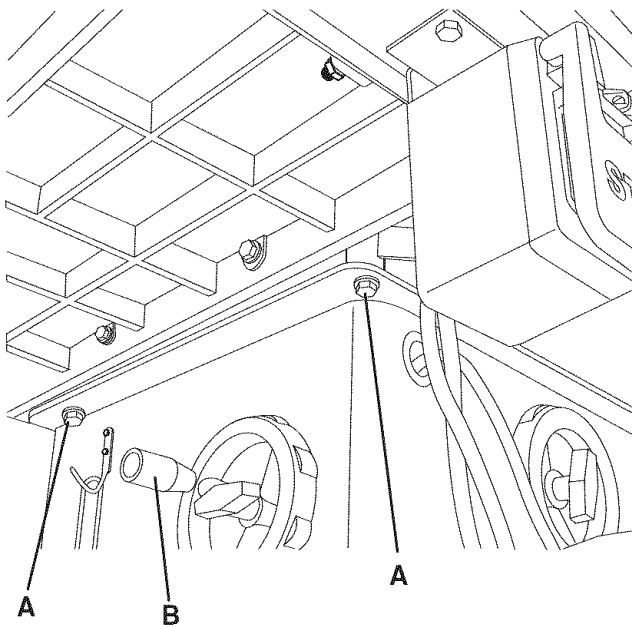
⚠ WARNING

Blade alignment is factory set and should not need adjustment. All saw blades have some runout. Therefore, readjusting the blade alignment should only be attempted if it becomes necessary (see checking blade alignment).

⚠ WARNING

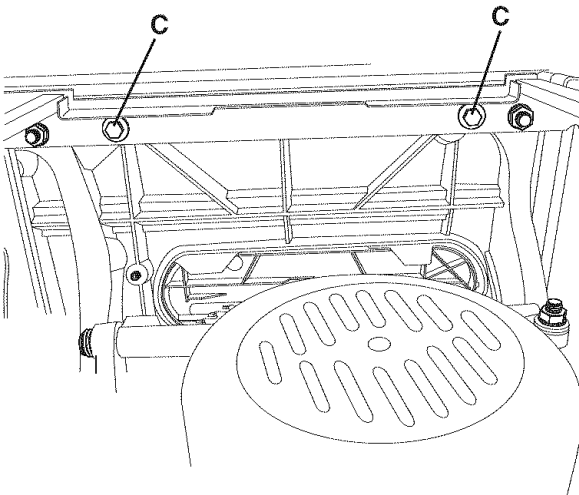
MAKE CERTAIN the table saw is disconnected from the power source.

Fig. 17B-1

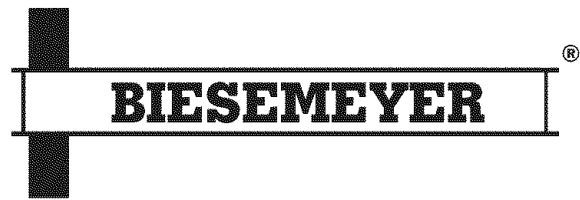


1. To align the blade parallel to the miter slot, first loosen two hex head screws (A) under the left side of the table saw. This is the same side as the bevel handwheel (B). See figure 17B-1.

Fig. 17B-2



2. Open motor cover located on the right side of the table saw. Loosen two hex head screws (C) located directly above the opening. See figure 17B-2.
3. The saw table is now loose and can be repositioned until the blade is parallel to the miter slot. Repeat steps in "CHECKING BLADE ALIGNMENT."
4. When blade is parallel to miter slot, tighten all four hex head screws.
5. Recheck blade alignment.
6. Tilt the blade to 45 degrees, and rotate the saw blade by hand. Make sure the blade does not contact the table insert.

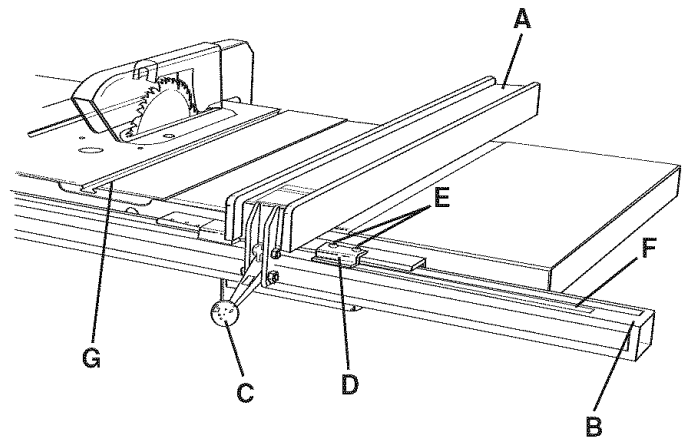


BIESEMEYER® T-SQUARE® COMMERCIAL RIP FENCE SYSTEM ASSEMBLY OPERATIONS AND ADJUSTMENTS

⚠ WARNING

MAKE CERTAIN the table saw is disconnected from the power source when making adjustments.

Figure 18-1

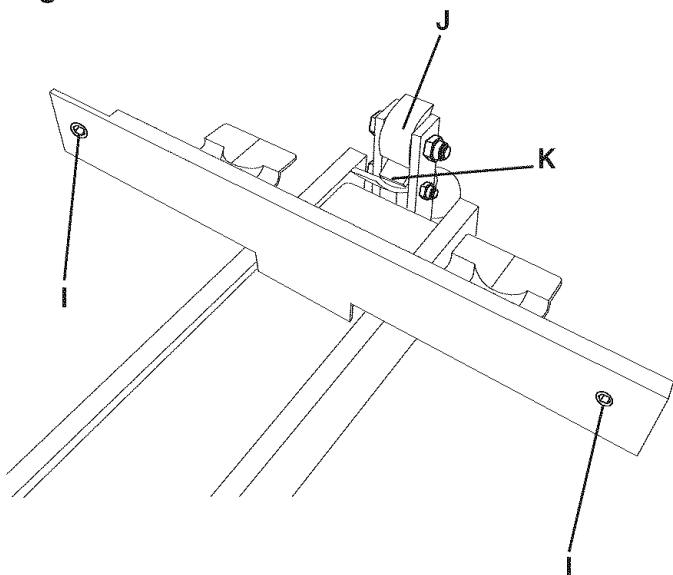


1. To move the rip fence (A) along the guide tube (B), simply lift up on lock handle (C). See figure 18-1.
2. Slide the rip fence to a desired position on the guide tube and push down on the fence lock handle to lock the rip fence. **NOTE:** A magnet is assembled to the fence body to hold the lock handle in the up position when moving the rip fence. See figure 18-1.
3. The thin black line located on the cursor (D) indicates the distance the rip fence is positioned away from the saw blade. It may be necessary to adjust one or both cursors. Make a test cut with the rip fence locked in position. See figure 18-1.
4. Measure the width of the finished cut and adjust the cursor by loosening the two screws (E). Adjust the cursor until the thin black line is aligned with the same marking on the scale (F) as the finished cut. Retighten the two screws. See figure 18-1.

FENCE ALIGNMENT

1. The rip fence (A) must be adjusted so it is parallel to the miter gauge groove (G). See figure 18-1.
2. To check and adjust, move fence until the bottom left edge of the fence is in line with the right edge of the right hand miter gauge groove and push down on the fence lock handle (C). See figure 18-1.
3. Check to see if the rip fence is parallel to the miter gauge groove for the entire length of the table. If an adjustment is necessary, lift up the fence lock handle and raise the fence up off the guide tube (B). See figure 18-2.

Figure 18-2



4. Slightly tighten or loosen one of the two adjusting screws (I), using a 3/16" hex wrench, (not supplied). See figure 18-2.
5. Replace the rip fence on the guide tube and check again to see if the rip fence is parallel with the miter gauge groove for the entire length. Repeat this adjustment until the rip fence is parallel with the miter gauge groove. **IMPORTANT:** Very little movement of screws is necessary to adjust the fence parallel with the miter gauge groove.

ADJUSTING CLAMPING ACTION OF FENCE LOCKING HANDLE

1. When the lock handle (C) is pushed to the down position, the rip fence (A) should be completely clamped to the guide tube (B). See figure 18-1.
2. If the rip fence is not completely clamped to the guide, lift up lock handle and take the rip fence off the guide tube.

3. Slightly tighten the two adjusting screws (I), using a 3/16" hex wrench (not supplied). **NOTE:** Screws should be tightened an equal amount. See figure 18-2.
4. Replace rip fence onto the guide tube and lock. Check to see if the rip fence is securely clamping on the guide tube. Repeat steps above if additional adjustments are necessary.
5. **IMPORTANT:** After adjusting the clamping action on the rip fence, check to see if the rip fence is still parallel to the miter gauge groove.

LUBRICATION

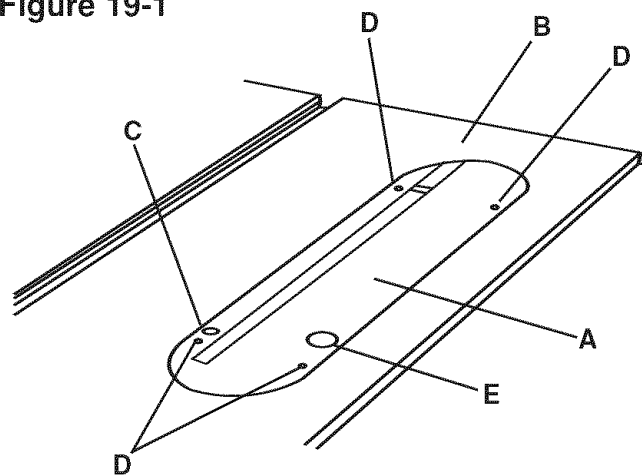
1. Apply paste wax weekly to the rip fence (A) and guide tube's (B) sliding surfaces. Also, the saw table and extension table surfaces should be waxed often. See figure 18-1.
2. Apply grease to cam lock (J), and cam-foot (K) occasionally to prevent wear. See figure 18-2.

TABLE INSERT ADJUSTMENT

⚠ WARNING

MAKE CERTAIN the table saw is disconnected from the power source when making adjustments.

Figure 19-1



1. The table insert (A) must always be level with the saw table (B). To adjust the table insert, loosen and remove table insert retaining bolt (C). See figure 19-1.
2. Place a straight edge across the front and rear of the table insert. Check that the insert is perfectly level with the saw table.
3. To level the table insert, turn the one or more adjusting set screws (D) as needed and recheck. See figure 19-1.

- Once the insert is level, secure the insert with the retaining bolt removed in step 1.
- The table insert is equipped with a finger hole (E) for easy removal. See figure 19-1.

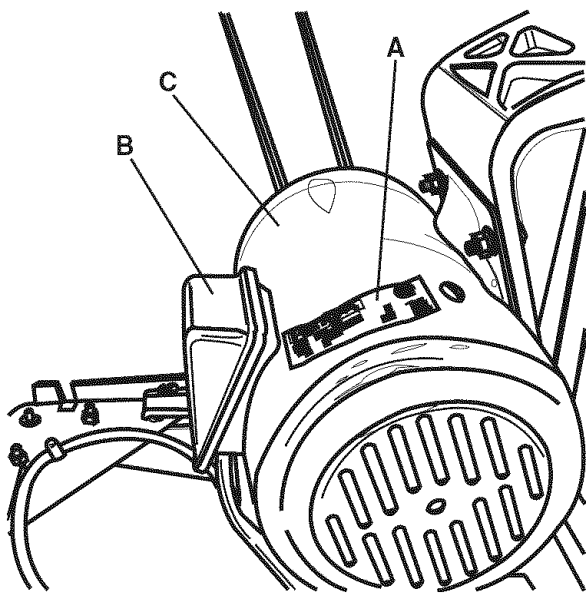
CHANGING MOTOR VOLTAGE

⚠ WARNING

- **MAKE CERTAIN** the table saw is disconnected from the power source before working on motor.
- Have a certified electrician make all electrical connections. All local and state codes must be maintained.

The motor supplied with the table saw is a dual voltage 120/240-volt, single phase motor. The motor is wired from the factory for 120-volt operation. To change to 240-volt operation for your table saw, proceed with the following instructions. It is also necessary to replace the 120 volt plug, supplied with the table saw, with a UL/CSA Listed plug (not included) suitable for 240 volts and the rated current of the motor. The table saw with a 240 volt plug should only be connected to an outlet having the same configuration as the plug. No adapter is available or should be used with the 240 volt plug.

Figure 20-1



1. Make sure switch is "OFF" and disconnect power cord from power source.
2. Open motor cover and verify on the motor tag (A) that motor is dual voltage. See figure 20-1.
3. If motor tag states that it is dual voltage remove junction box cover (B) on motor (C). See figure 20-1.
4. Using wiring diagram on inside of junction box cover, reconnect motor leads for 240-volt operation.

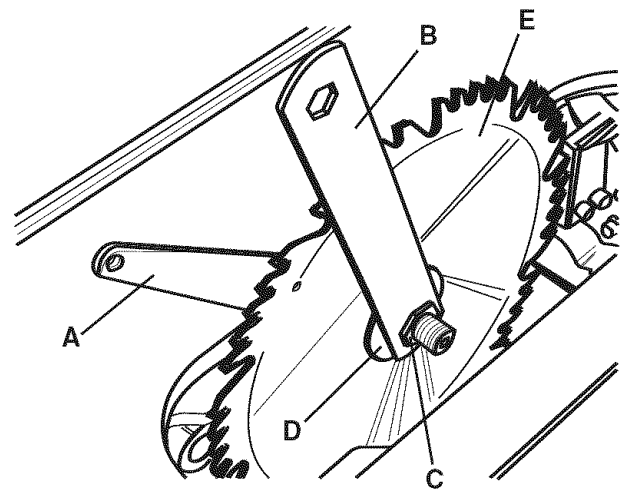
5. Replace junction box cover and close motor cover.
6. Replace 120 volt plug with a UL/CSA Listed 240 volt plug rated for current of the motor.
7. The ON/OFF switch is 4-pole and does not need modified.

CHANGING THE SAW BLADE

⚠ WARNING

- Turn the power switch "OFF" and unplug the power cord from its power source when changing the saw blade.
- **USE ONLY** 10-in. diameter blades with 5/8-in. arbor holes, rated at or higher than 3800 R.P.M.

Figure 21-1



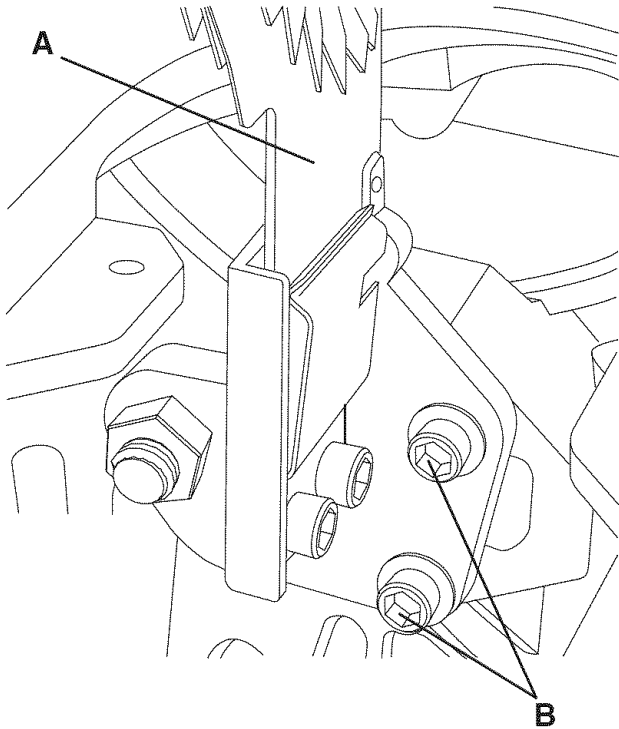
1. Remove blade guard and splitter.
2. Remove the table insert retaining bolt and remove the table insert.
3. Unlock the raise/lower handwheel lock and raise saw blade to maximum height.
4. Two wrenches are supplied with the table saw. Place one open-end wrench (A) on the flat of the saw arbor to keep it from turning. Place the closed-end wrench (B) on the arbor nut (C). Turn the arbor nut wrench toward the front of saw to loosen it. Remove arbor nut, blade flange (D) and saw blade (E). See figure 21-1.
5. Assemble the new saw blade; make certain the teeth point down at the front of the saw table and assemble the blade flange and arbor nut. Using both blade wrenches as previously mentioned, tighten arbor nut in the opposite direction from which it was loosened.
6. Replace table insert and tighten the table insert retaining bolt.
7. Replace blade guard and splitter

ALIGNING SPLITTER BRACKET

⚠ WARNING

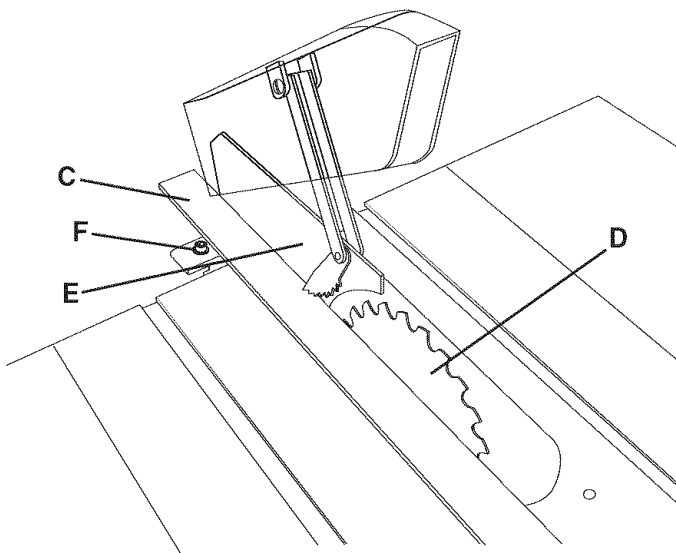
MAKE CERTAIN the table saw is disconnected from the power source.

Fig. 21A-1



1. To adjust front splitter bracket (A), loosen the two hex socket head cap screws (B). See figure 21A-1.

Fig. 21A-2



2. Place a straight edge (C) along the left side of blade (D) and adjust the front splitter bracket to align the splitter (E) with the blade. See figure 21A-2.

3. Retighten the two hex socket head cap screws after the splitter has been aligned.
4. If necessary, adjust the rear splitter bracket (F). Make certain that entire splitter is in line with the saw blade. See figure 21A-2.
5. Recheck to make certain the splitter is still square to the saw table. If adjustments are necessary, see **BLADE GUARD AND SPLITTER ASSEMBLY**.

LEITZ 10-INCH VARIABLE TOOTH SAW BLADE

Key features of the Leitz Variable Pitch Saw Blade:

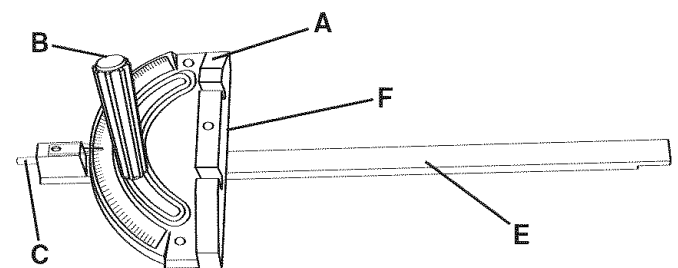
1. Longer blade life: Combining variable tooth patterns with noise reducing laser ornamentation can extend tool life 25% to 50%.
2. High cut quality: 41% improvement over standard blades in most materials.
3. Quiet Running: Noise reduction of 5dB to 10dB compared to standard saw blades. A 10dB is equivalent to a 50% reduction in noise level to the human ear.
4. Best Performance Value
5. Precision, laser cut steel body, best quality micro-grain carbide, hand hammered (tuned) to industry-best tolerances.

MITER GAUGE OPERATION AND ADJUSTMENT

⚠ WARNING

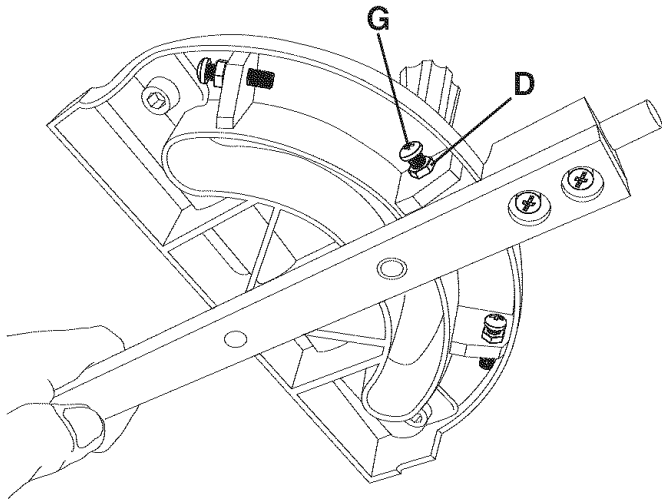
MAKE CERTAIN the table saw is disconnected from the power source when making adjustments.

Figure 22-1



1. The miter gauge has adjustable positive stops at 0-degree and plus or minus 45-degrees or it can be manually set at any angle between plus or minus 60-degrees.
2. To rotate miter gauge body (A), loosen knob (B) and pull out plunger (C) and rotate miter gauge body to desired angle and tighten knob. See figure 22-1.

Figure 22-2



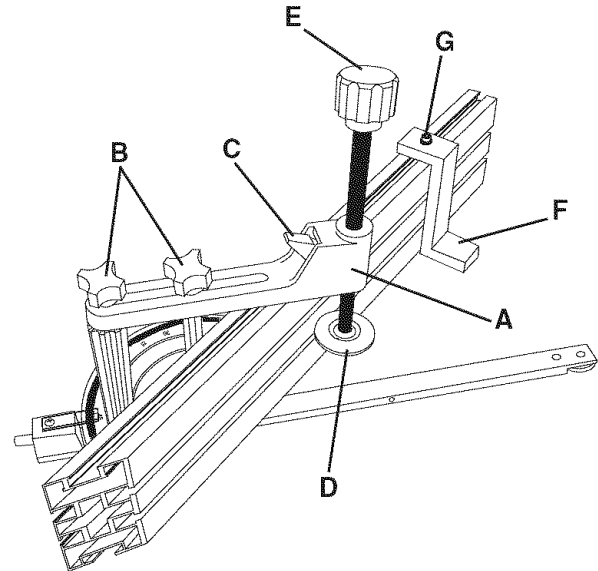
3. To rotate to the next positive stop pull plunger out, rotate miter gauge body then push plunger back in and continue rotating miter gauge body until it stops against next positive stop.
4. To adjust 0-degree positive stops, loosen knob, pull out on plunger and turn miter gauge over.
5. Loosen the lock nut (D) 3 or 4 turns. See figure 22-2.
6. Place a square against the guide bar (E) and front of the miter gauge body (F). Square the miter gauge body to the guide bar and tighten knob. See figure 22-1.
7. Push in plunger and make adjustments to stop screw (G) so that it touches the plunger, then tighten lock nut. See figure 22-2.
8. Recheck the positive stop angle to the saw blade. Insert the guide bar into the miter gauge groove and slide the miter gauge up to the saw blade.
9. To check, place a square against the saw blade and miter gauge body. If any more adjustments are needed repeat steps above.
10. To set both 45-degree positive stops, repeat steps above.

CLAMP AND FENCE STOP OPERATION

⚠ WARNING

MAKE CERTAIN the table saw is disconnected from the power source when making adjustments.

Figure 23-1



1. The stock clamp (A) can be positioned in and out by loosening the two knobs (B) and sliding the clamp body in or out. Retighten knobs when at desired position. See figure 23-1.
2. The stock clamp has a quick release allowing you to quickly position the clamp up or down. To engage quick release press up on trigger (C) and hold. The clamping pad (D) will fall or it can be lifted. To release let go of the trigger. Now you can turn knob (E) to apply clamping pressure. See figure 23-1.
3. The fence stop (F) can be repositioned along the fence by loosening the hex socket head screw (G). Slide the fence stop to desired position and tighten hex socket head screw. If the fence stop is not needed, it can be stored out of the way on the backside of the fence. See figure 23-1.

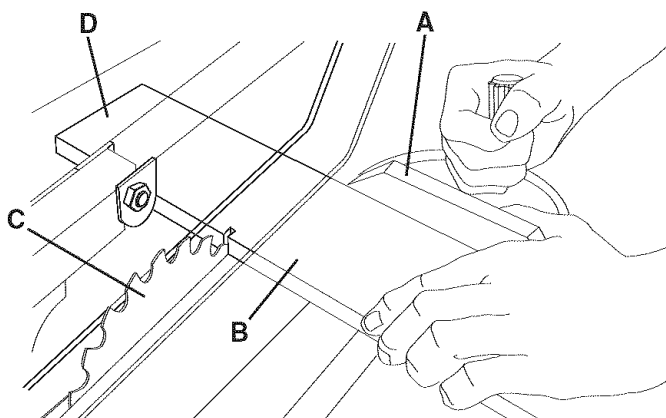
CROSSCUTTING

Crosscutting requires the use of the miter gauge (A) to position and guide the workpiece (B). See figure 24-1.

⚠ WARNING

The use of non-Craftsman attachments and accessories may result in risk of injury or damage to the table saw.

Fig 24-1



TO CROSSCUT:

1. Place the workpiece against the miter gauge and advance both the miter gauge and workpiece toward the saw blade (C). See figure 24-1.

Note: The miter gauge may be used in either one of the miter gauge grooves. When bevel cutting (blade tilted), use the right hand miter gauge groove so that the blade tilts away from the miter gauge and your hands.

2. Start the cut slowly and hold the workpiece firmly against the miter gauge and the table.

⚠ WARNING

To avoid serious injury, **NEVER** hang onto or touch the part of the workpiece that is going to be cut off (D).

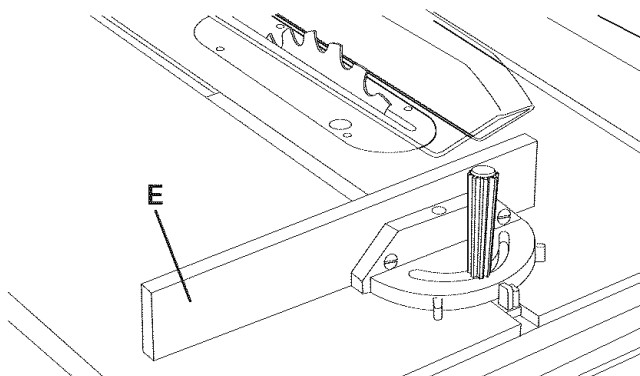
3. Continue cutting until the workpiece is cut in two.
4. Slide the miter gauge and workpiece back to the starting point.

Note: Before sliding the workpiece back, give the workpiece a little sideways shift to move it slightly away from the saw blade.

⚠ WARNING

NEVER pick up any short cut off scrap pieces from the table while the saw is running. Wait until the saw blade has come to a complete stop.

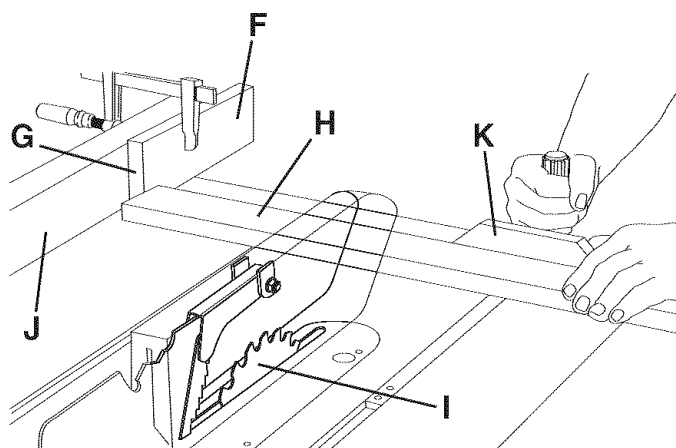
Figure 24-2



AUXILIARY FENCE

For added safety and convenience, the miter gauge can be fitted with an auxiliary fence (E) if not already supplied with one. If the auxiliary fence is not provided with your saw, one can be purchased as an accessory or one can be made from a dimensional piece of hardwood. This auxiliary fence can be fastened to the front of the miter gauge by using two screws (not included) through the slots (not shown) in the miter gauge body. See figure 24.2.

Figure 24-3



CUT-OFF GAUGE

1. When cross-cutting a number of pieces to the same length, clamp a block (F) of wood to the fence (J) to use as a cut-off gauge. It is important that this block of wood always be positioned in front of the saw blade. See figure 24-3.

CAUTION

When using the block as a cut-off gauge, it is very important that the rear end of the block be positioned so the workpiece is clear of the block before it enters the blade.

⚠ WARNING

Never use the fence as a cut-off gauge when crosscutting.

When cross-cutting a number of pieces to the same length, a block of wood can be clamped to the fence and used as a cut-off gauge as shown. It is important that this block of wood always be positioned in front of the saw blade as shown. Once the cut-off length is determined, secure the fence and use the miter gauge to feed the work into the blade. This block of wood allows the cut-off piece to move freely along the table surface without binding between the fence and the saw table, thereby lessening the possibility of kickback and injury to the operator.

Note: This block allows the cut-off scrap piece to move freely along the table surface without binding between the fence and the blade, thereby lessening the possibility of kickback and injury to the operator.

2. Once the cut-off length is determined, lock the fence and slide the workpiece across the table surface until it contacts the block. Use the miter gauge (K) to feed the workpiece into the blade.

⚠ WARNING

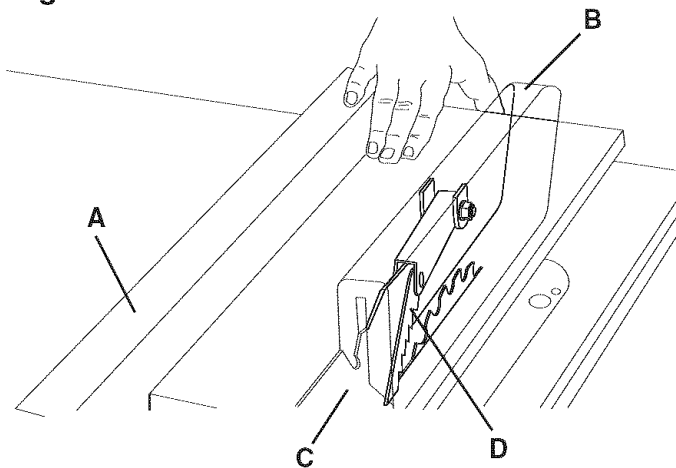
To avoid kickback when using the block (F) as a cut-off gauge, it is very important that the rear end of the block (G) be positioned so the workpiece (H) is clear of the block before it enters the blade (I). Never use the fence (J) as a cut-off gauge when crosscutting. See figure 24-3

RIPPING

⚠ WARNING

- **NEVER** stand in the line of the saw blade path when ripping.
- **ALWAYS** keep hands and fingers away from the saw blade.

Figure 25-1



Ripping is the operation of making a cut with the grain of the workpiece; the rip fence (A) is used to position and guide the workpiece. Since the workpiece is pushed along the fence, it must have a straight edge and make solid contact with the saw table. The blade guard (B) and splitter assembly (C) must be used. The splitter has anti-kickback fingers (D) to prevent the workpiece from kicking back, and the splitter assembly to prevent the wood kerf from closing and binding on the blade. See figure 25-1.

1. With the workpiece clear of the saw blade, start the motor.
2. Place the workpiece on the saw table with the straight edge against the fence.
3. Advance the workpiece slowly, holding it down and against the fence, then into the saw blade.

Note: The workpiece can be fed through the saw blade with one or two hands depending on the size.

4. After the workpiece is beyond the saw blade and anti-kickback fingers, you can remove your hand from the workpiece. When this is done, the workpiece will either stay on the table, tilt up slightly and be caught by the rear end of the guard, or slide off the table to the floor. Alternately, the feed can continue to the end of the table, after which the workpiece is lifted and brought back along the outside edge of the fence.
5. The cut-off part of the workpiece remains on the table and is not touched until the saw blade has come to a complete stop.

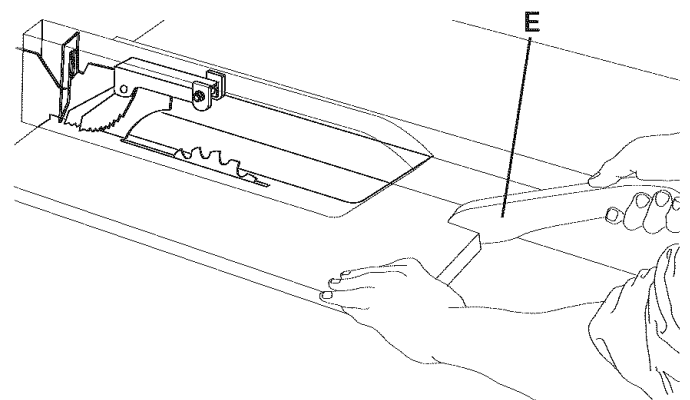
CAUTION

When ripping a workpiece longer than three feet, it is recommended that the workpiece be supported at the rear of the table saw to keep it from falling. A roller stand can be purchased to support long workpieces to the rear of a table saw.

CAUTION

If the workpiece is to be cut less than 4-inches wide, a push stick (E) or guide should always be used to keep your hands away from the saw blade. See figure 25-2.

Figure 25-2



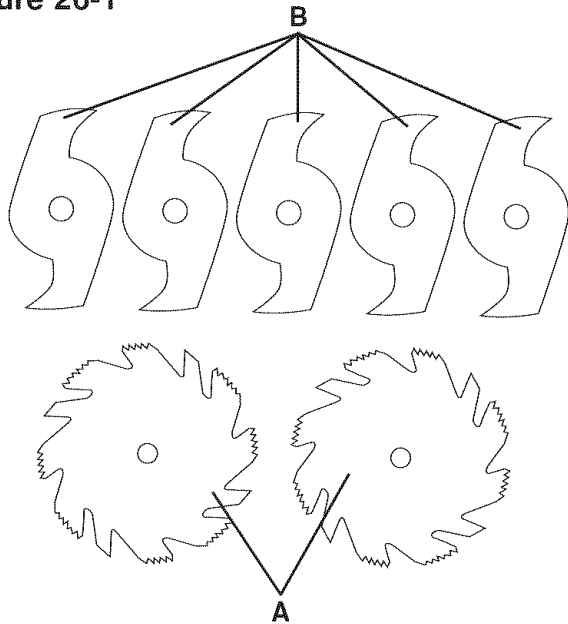
An accessory Craftsman Fence Guide can be purchased to assist when making narrow cuts. See "ACCESSORIES AND ATTACHMENTS" section in this manual.

DADO BLADE SET

⚠ WARNING

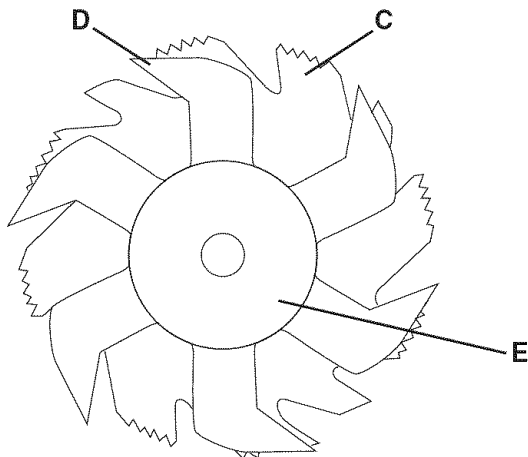
The blade guard and splitter assembly cannot be used when dadoing or molding and must be swung to the rear of the saw. Blade guard must be reassembled when finished dadoing or molding.

Figure 26-1



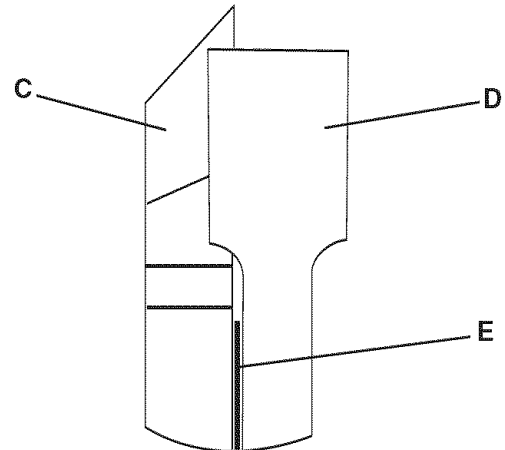
Dadoing is cutting a non-through cut that produces a square notch into the workpiece. Most dado blade sets (not included) are made up of two outside dado blades (A) and four or five inside chippers (B). Shims (E) can be placed between blades and chippers to slightly vary the width of a dado. No more than two shims should be placed together between one set of blades or chippers. Shims can be made of heavy paper, brass or metal. Various combinations of the dado blades and chippers are used to cut grooves from 1/8" to 13/16" for use in shelving, making joints, tenons, grooving, etc. See figures 26-1, 26-2, and 26-3.

Figure 26-2



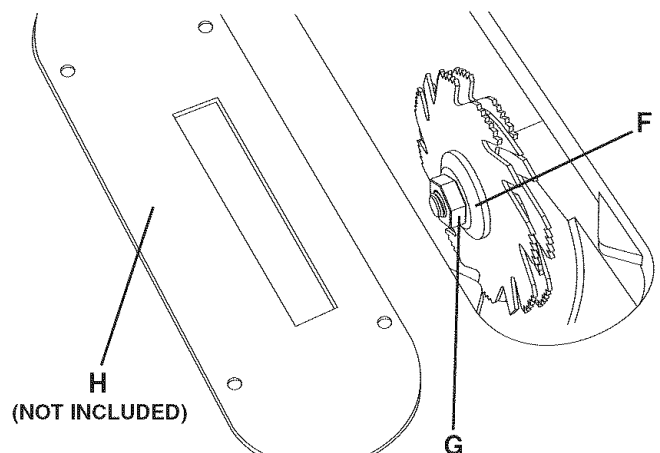
Dado blades and chippers have a set to their teeth. The teeth of the dado blades and chippers must be arranged so that the set of each tooth overlaps the next tooth. The set of the dado blade (C) and chipper (D) overlap as shown in Figure 26-3. A shim (E) can be used as needed to control the exact width of a dado. See figures 26-2 and 26-3.

Figure 26-3



When the dado blade is 13/16-inch wide, the outside arbor flange (F) cannot be used. Only the arbor nut (G) should be used; tighten the arbor nut against the dado blade body. Do not lose the outside arbor flange, for it will be needed when reattaching a blade to the saw arbor. Also, an accessory dado blade table insert (H) (not included) must be used in place of the standard table insert. See figure 26-4.

Figure 26-4



⚠ WARNING

The blade guard and splitter assembly cannot be used when dadoing and must be swung to the rear of the saw.

Figure 26-5

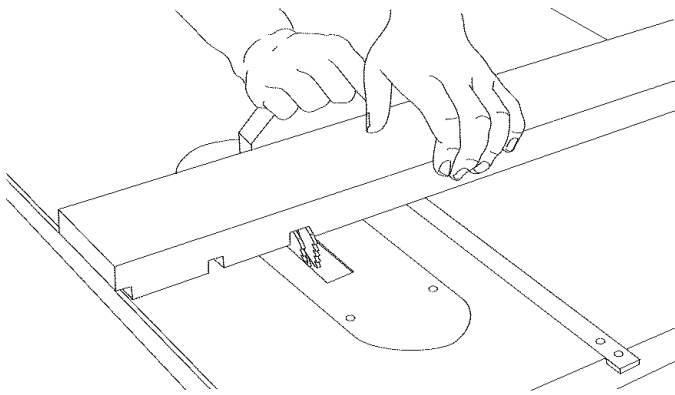


Figure 26-5, shows a typical dado operation using the miter gauge.

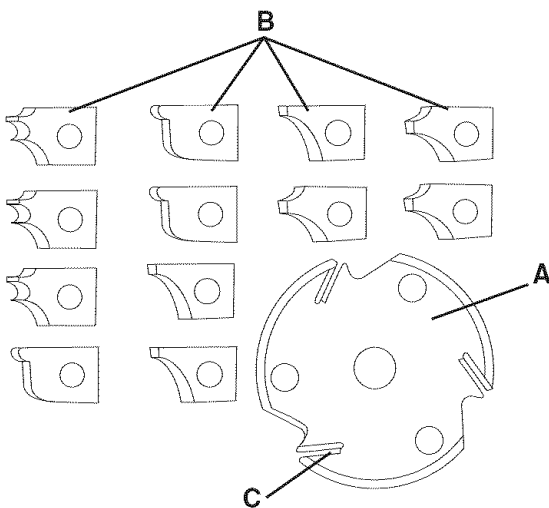
⚠ WARNING

- **NEVER** use the dado head in a bevel position.
- **ALWAYS** install blade guard and splitter assembly after dado operation is completed.

MOLDING HEAD CUTTER

Molding is cutting a shape on the edge or face of the workpiece. Cutting moldings with a molding cutterhead (not included) on the circular saw is a fast, safe and clean operation. The many different knife shapes available make it possible for the operator to produce almost any kind of molding, such as various styles of corner moulds, picture frames, table edges, etc.

Figure 27-1



The molding head consists of a cutterhead (A) in which you can mount various shapes of steel knives (B). Each of the three knives in a set is fitted into a groove in the cutterhead and securely clamped with a screw. The knife grooves (C) should be kept free of sawdust, which would prevent the cutter from seating properly. See figure 27-1.

⚠ WARNING

- The blade guard and splitter assembly cannot be used when dadoing or molding and must be swung to the rear of the saw. Blade guard must be reassembled when finished.

Figure 27-2

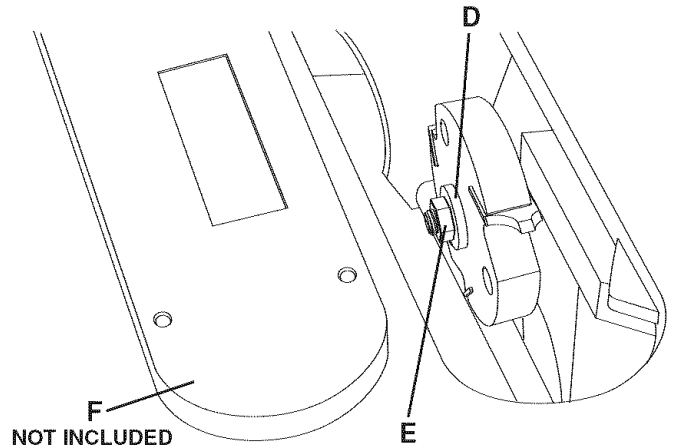
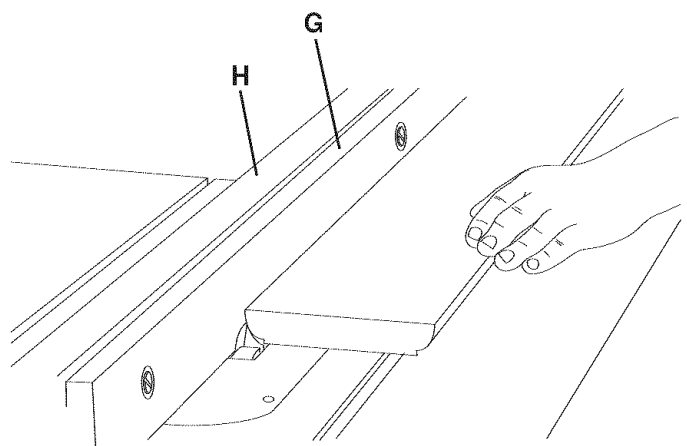


Figure 27-2 shows the molding cutterhead is assembled to the saw arbor as shown.

If the outside arbor flange (D) cannot be used with the molding cutterhead, tighten the arbor nut (E) against the cutterhead body. Do not lose the outside arbor flange, for it will be needed when reattaching a blade to the saw arbor. Also, an accessory molding cutterhead table insert (F) (not included) must be used in place of the standard table insert. See figure 27-2.

Figure 27-3



It is necessary when using the molding cutterhead to add a wood facing (G) to the face of the rip fence (H). The wood facing is attached to the fence with fasteners. A 3/4-inch facing is suitable for most work although an occasional job may require 1-inch facing. See figure 27-3.

Position the wood facing over the cutterhead with the cutterhead below the surface of the table. Turn the saw on and raise the cutterhead slowly. The cutterhead will cut its own groove in the wood facing.

⚠ WARNING

- Never use molding cutterhead in a bevel position.
- Never run the workpiece between the fence and the molding cutterhead as irregular shaped wood will cause kickback.

MAINTENANCE

BACKLASH ADJUSTMENTS FOR BLADE RAISING/LOWERING AND BLADE TILTING ASSEMBLIES

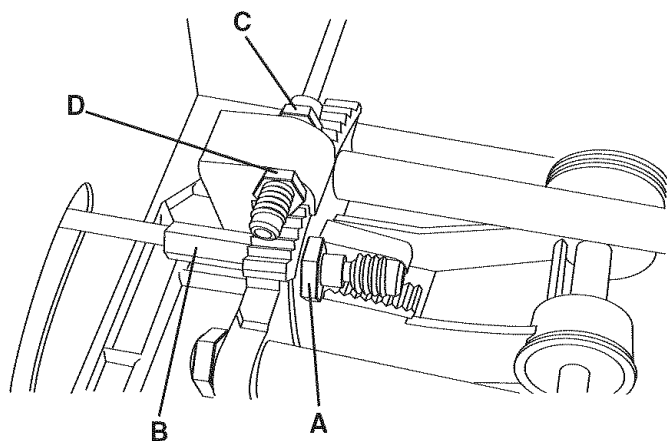
If any play is detected in the blade raising/lowering or blade tilting assemblies, the following adjustments should be made.

⚠ WARNING

Turn the power switch "OFF" and unplug the power cord from its power source when making adjustments.

NOTE: In the illustration below, the table saw has been turned upside down and the blade removed for clarity.

Figure 28-1



1. To adjust the blade raising/lowering assembly, loosen lock-nut (A) and turn the eccentric sleeve (B) until all play is removed in the assembly, then tighten lock-nut. See figure 28-1
2. To adjust the blade tilting assembly, loosen lock-nut (C) and turn the eccentric (D) until all play is removed in the assembly, then tighten the lock-nut. See figure 28-1.

CAUTION

- When molding end grain, the miter gauge must be used. The feed should be slowed up at the end of the cut to prevent splintering
- In all cuts, pay attention to the grain, making the cuts in the same direction as the grain whenever possible.

PROTECTING CAST IRON TABLE FROM RUST

⚠ WARNING

MAKE CERTAIN to turn the power "OFF" and unplug the power cord from its power source.

The environment and frequency of human contact can have a very detrimental impact on unpainted cast iron surfaces. Moisture, humidity and oils (from human hands!) can cause the unpainted cast iron surfaces to mar or rust, so it is important to conduct routine maintenance to keep your table saw looking new. Cleaning and waxing the cast iron surfaces on a regular maintenance schedule is recommended as follows:

To clean and maintain the unpainted cast iron surfaces:

- Apply a heavy coat of WD-40 onto the unpainted cast iron surface.
- Use a fine steel wood pad to buff the unpainted cast iron. Make sure to buff in a "front-to-rear" direction only. A side-to-side buffing motion will show in the finely ground cast iron as a flaw, defect or scratches.
- Reapply WD-40 and buff the unpainted cast iron surfaces until the stains or rust is removed. Make sure you use the same front-to-rear buffing direction to avoid scratching or marring the cast iron surface.
- After all stains and/or rust have been removed, clean all oil and dirt from the table saw using a soft cloth or rag.
- Lastly, you need to apply a good automotive paste wax to all unpainted cast iron surfaces. This will help to protect the saw from rusting from further contact with moisture or oily hands.

LUBRICATION

The table saw has sealed lubricated bearings in the motor housing that do not require any additional lubrication from the operator.

CLEANING

With the table saw unplugged, blow off motor with low-pressure air to remove dust or dirt. Air pressure above 50 P. S. I. should not be used as high-pressured air may damage insulation. The operator should always wear eye protection when using compressed air.

Do not allow chips and dust to accumulate under table saw. Keep area clean and in safe order.

CAUTION: DO NOT USE FLAMMABLE MATERIALS to clean table saw.

WARNING

Only trained personnel should perform repairs to the table saw. Contact your nearest Sears Service Center for authorized service. Unauthorized repairs or replacement with non-factory parts could cause serious injury to the operator and damage to the table saw.

TROUBLESHOOTING GUIDE

TO PREVENT INJURY TO YOURSELF or damage to the table saw, turn the power switch to the “OFF” position and unplug the power cord from the electrical receptacle before making any adjustments.

PROBLEM	LIKELY CAUSE(S)	SOLUTION
Motor does not start:	<ol style="list-style-type: none"> Switch not pressed in far enough or switch in the “OFF” position. Defective switch. Defective capacitor. Low line voltage. Defective motor. 	<ol style="list-style-type: none"> Depress switch in 1/2 inch or make sure switch is in the “ON” position. Have switch replaced. Have capacitor replaced. Correct low line voltage condition. If saw is plugged into an extension cord, plug saw directly into wall outlet. Have motor replaced. NOTE: 3 and 4 must be done by a qualified service technician.
Motor stalls, thermal-overload trips or circuit breakers open frequently:	<ol style="list-style-type: none"> Circuit overload. Low line voltage. Motor overload. Incorrect fuses on circuit breakers. Short circuit in motor; loose connections or worn insulation on lead wires. 	<ol style="list-style-type: none"> Reduce circuit load (turn off other appliances) Correct low line voltage condition. Check line voltage with a multi-meter. If saw is plugged into an extension cord, unplug saw from extension cord and plug saw directly to wall outlet. Reduce load on motor, slow down feed rate of workpiece being pushed into blade. Have correct fuses on circuit breakers installed by a qualified electrician. Inspect terminals in motor for damaged insulation and shorted wires and have them replaced. Check all power lead connections.
Motor starts slowly or fails to come to full speed:	<ol style="list-style-type: none"> Low line voltage. Defective motor windings. Defective capacitor. 	<ol style="list-style-type: none"> Correct low line voltage condition. Check line voltage with a multi-meter. If saw is plugged into an extension cord, unplug saw from extension cord and plug saw directly to wall outlet. Have motor replaced. Have capacitor replaced
Motor running too hot:	<ol style="list-style-type: none"> Restricted air circulation due to dust accumulation. Motor overload. 	<ol style="list-style-type: none"> Clean dust and restore normal air circulation around motor. Reduce load on motor.
Handwheels are hard to turn:	<ol style="list-style-type: none"> Handwheel Lock Knob has not been loosened. Dust accumulation on tilting or beveling gears inside of cabinet. 	<ol style="list-style-type: none"> Loosen Handwheel Lock Knob. Clean off tilt and bevel gear assemblies.
Miter gauge does not move smoothly:	<ol style="list-style-type: none"> Miter gauge groove and miter gauge bar are dirty. Set-screws in miter gauge bar are out of adjustment. 	<ol style="list-style-type: none"> Clean miter gauge groove and bar. Adjust set-screws in miter gauge bar.
Workpiece binds, burns or stalls motor when ripping:	<ol style="list-style-type: none"> Blade is dull. Board is warped or twisted. Rip fence is not parallel to blade. 	<ol style="list-style-type: none"> Sharpen or replace blade. Replace board. See “Fence Alignment” in Operation and Adjustment Section.
Saw blade does not cut true at 90 or 45 degrees:	<ol style="list-style-type: none"> Blade is dull. Indicator arrow is not properly adjusted. Positive stops are not set properly. 	<ol style="list-style-type: none"> Sharpen or replace blade. Adjust bevel indicator arrow. Adjust 90 and 45-degree positive stops.
Rip fence does not move smoothly:	<ol style="list-style-type: none"> Rip fence is not mounted properly. Rails are dirty or sticky. 	<ol style="list-style-type: none"> See “Fence Alignment” in Operation and Adjustment Section. Clean and apply paste wax to rails.
Saw vibrates excessively:	<ol style="list-style-type: none"> Blade is warped. Drive belt is damaged. Work surface is uneven. Saw is not mounted securely. 	<ol style="list-style-type: none"> Replace blade. Replace drive belt. Reposition saw on a flat surface. Adjust leveling feet, if supplied with saw. Tighten all hardware.



PARTS

10-IN. TABLE SAW

MODEL NO.152.221240

⚠ WARNING

When servicing, use only CRAFTSMAN replacement parts. Use of any other parts may create a **HAZARD** or cause product damage.

⚠ WARNING

Any attempt to repair or replace electrical parts on this table saw may create a **HAZARD** unless a qualified service technician does repairs. Repair service is available at your nearest Sears Service Center.

Always order by PART NUMBER, not by key number.

*AVAILABLE AT MOST RETAIL STORES

Key No.	PART No.	Description	Qty.	Key No.	PART No.	Description	Qty.
N/A	OR91552	OWNER'S MANUAL - #22124 10" Table Saw	1	119	OR91079	GUIDE BAR	1
N/A	OR91710	BLADE GUARD ASSEMBLY , (NOT SHOWN)		120	OR91763	HEX SOCKET SET SCREW M4 x 16mm	4
		CONSISTS OF REF #: 1, 2, 3, 3a, 3b 4, 5, 6, 7, 16, 24 & 25	N/A	121	OR91783	PIN 1/4" x 3/4"	1
N/A	OR91711	SPLITTER BRACKET ASSEMBLY, (NOT SHOWN)		122	OR91774	PAN HEAD SCREW M4 x 10mm	2
		CONSISTS OF REF #: 9, 9a, 10, 11, 12, 13, 14, 15 & 17	N/A	123	OR91080	PLUNGER	1
1	OR91785	PUSH NUT (CHROME)	2	124	OR91081	PLUNGER BLOCK	1
2	OR91781	PIN	1	125	OR91082	CURSOR	1
3	OR91027	"SEE THRU" BLADE GUARD	1	126	OR91775	PAN HEAD SCREW M4 x 16mm	1
3A	OR91574	WARNING LABEL	1	127	OR91776	PAN HEAD SCREW M4 x 20mm	3
3B	OR91575	WARNING LABEL PICTORAL	1	127A	STD840407	HEX NUT M4	3
4	OR91782	PIN	1	128	OR91756	HEX SOCKET HEAD SCREW M5 x 20mm	2
5	OR91008	GUARD BRACKET	1	129	OR91823	SPECIAL FLAT WASHER (ID:5.3, OD:12, T:1.2)	2
6	OR91834	PUSH NUT (BLACK)	1	130	OR91573	MITER SCALE	1
7	OR91745	GUARD SPRING	1	131	OR91084	SPECIAL WASHER, MITER HANDLE	1
8	OR91031	SPLITTER MOUNTING ROD	1	132	OR91085	MITER GAUGE KNOB	1
9	OR91812	HEX SOCKET HEAD SCREW M6 x 22mm	2	133	OR91086	ELEVATING ROD	1
9A	STD852006	LOCK WASHER M6	2	134	OR91756	HEX SOCKET HEAD SCREW M5 x 20mm	1
10	OR91011	SPLITTER REAR MOUNT LOWER	1	134A	OR91823	SPECIAL FLAT WASHER (ID:5.3, OD:12, T:1.2)	1
11	OR91051	SPLITTER MOUNT SQUARE NUT	2	135	OR91087	DEPTH STOP	1
12	OR91012	SPLITTER REAR MOUNT UPPER	1	136	OR91118	SQUARE NUT M5	1
13	OR91820	SPECIAL FLAT WASHER (ID:6.4mm, OD:18mm, T:1.6mm)	1	200	OR91767	JAM NUT 5/8-18-LH	1
14	STD852006	LOCK WASHER M6	1	201	OR91020	ARBOR PULLEY	1
15	OR91758	HEX SOCKET HEAD SCREW M6 x 16mm	1	202	OR91824	KEY 5mm x 5mm x 15mm	1
16	OR91015	SPLITTER	1	203	OR91734	BEARING CLOSURE NUT	1
17	OR91048	SPLITTER KNOB	1	203A	OR91732	ARBOR SPACER	1
18	OR91760	HEX SOCKET HEAD SCREW M6 x 6mm	2	204	OR91733	BALL BEARING <6203 LLB>	1
19	OR91820	SPECIAL FLAT WASHER (ID:6.4mm, OD:18mm, T:1.6mm)	2	205	OR91004	ELEVATING BRACKET	1
20	OR91758	HEX SOCKET HEAD SCREW M6 x 16mm	2	206	OR91024	ARBOR SLEEVE	1
21	OR91010	SPLITTER FRONT MOUNT	1	207	OR91801	WAVE WASHER <BWW 6203>	1
21A	OR91791	SPRING PIN 3mm x 10mm	1	208	OR91733	BALL BEARING <6203 LLB>	1
22	OR91013	SPLITTER SPRING CLIP	1	209	OR91022	ARBOR SHAFT	1
23	OR91753	SPECIAL HEX NUT M12	1	210B	OR35930	LEITZ, 10" BLADE, VARIABLE PITCH, 40 TOOTH, 5/8" BORE	1
24	OR91795	SPRING PIN 4mm x 22mm	1	211	OR91026	BLADE FLANGE	1
25	OR91009	ANTI - KICKBACK FINGER	2	212	OR91050	BLADE HEX NUT-RH	1
30	OR91789	SET SCREW 1/4-28 x 3/8", NYLOCK	4	213	STD836045	HEX HEAD SCREW M10x1.5 x 45mm	2
31	OR91014	TABLE INSERT - STANDARD	1	214	STD851010	FLAT WASHER M10	2
32	OR91052	TABLE INSERT RETAINING BOLT	1	215	OR91003	REAR BRACKET	1
33	OR91815	TABLE	1	216	STD851010	FLAT WASHER M10	2
34	OR91821	HEX SOCKET SET SCREW M8 x 20mm	2	217	STD852010	LOCK WASHER M10	2
35	OR91021	ALIGN-A-CUT INSERT	1	218	STD841015	HEX NUT M10x1.5	2
36	STD851008	FLAT WASHER M8	8	220	OR91721	BELT (28" 6Rib Jsection PolyV)+E142	1
37	STD852008	LOCK WASHER M8	8	221	OR90253	HEX SOCKET SET SCREW M5 x 12mm	1
38	STD835030	HEX HEAD SCREW M8x1.25 x 30mm	8	222	OR91023	MOTOR PULLEY	1
39A	OR91016	EXTENSION WING 12" CAST IRON	2	223	OR91770	KEY 5mm x 5mm x 36mm	1
40	OR91817	SPECIAL FLAT WASHER	4	224A	OR91049	MOTOR ASSEMBLY 1.75 HP	1
41	STD852008	LOCK WASHER M8	4	224C	OR91723	START CAPACITOR	1
42	STD835025	HEX HEAD SCREW M8x1.25 x 25mm	4	224E	OR91725	RUN CAPACITOR	1
60	OR91040	SWITCH PADDLE	1	225A	OR91577	MOTOR SPEC PLATE 1.75 HP	1
60A	OR90375	PADLOCK AND KEY	1	225C	OR91578	MOTOR WIRING DIAGRAM LABEL	1
61A	OR91712	SWITCH ASSEMBLY	1	226	STD835030	HEX HEAD SCREW M8x1.25 x 30mm	4
63A	OR91579	SWITCH RESET LABEL	1	226A	STD851008	FLAT WASHER M8	4
N/A	OR92012	CLAMPING BODY ASSEMBLY, Consists of Key No's: 101, 102, 103, 104, 105, 106, 107, 108, 109, 110, 111, 112 & 113		227	STD851008	FLAT WASHER M8	4
100	OR91065	CLAMP KNOB	2	228	OR91001	MOTOR BRACKET	1
101	OR91066	CLAMP BODY	1	229	STD852008	LOCK WASHER M8	4
102	OR91067	UPPER BUSHING	1	230	STD840812	HEX NUT M8x1.25	4
103	OR91068	ELEVATING KNOB	1	231	OR91825	SPRING PIN 8mm x 35mm	1
104	OR91796	SPRING PIN 4mm x 25mm	1	232	OR91771	LOCK NUT 1/2-13UNC	3
105	OR91069	QUICK RELEASE SPRING	1	233	OR91784	PLATE WASHER	1
106	OR91070	QUICK RELEASE BRACKET	1	234	OR91802	WAVE WASHER	1
107	OR91797	SPRING PIN 6mm x 25mm	1	235	OR91054	MOTOR MOUNT STUD	1
108	OR91071	LOWER BUSHING	1	236	OR91056	MOTOR SPRING	1
109	OR91072	ELEVATING ROD	1	237	OR91057	STUD	1
110	OR91073	CLAMP FOOT	1	240	OR91790	SHAFT	1
111	STD851004	FLAT WASHER M4	1	241	OR91757	HEX SOCKET HEAD SCREW M5 x 20mm, NYLON	2
112	OR91774	PAN HEAD SCREW M4 x 10mm	1	243	OR91116	ELEVATING SHAFT ASSEMBLY	1
113	OR91075	CLAMP PAD	1	244	OR91793	SPRING PIN 3mm x 20mm	1
114	OR91076	MITER GAGE BODY	1	245	STD541231	JAM NUT 5/8-18	1
115	OR91077	SPECIAL WASHER, T-SLOT	1	248	OR91803	TRUNNION ASSEMBLY	1
116	OR91074	SPECIAL SCREW	1	249	OR91800	WAVE WASHER E188	1
117	OR91118	SQUARE NUT M5	2	251	OR91028	RAISE/LOWER SLEEVE	1
118	OR91078	CROSS CUT FENCE	1	252	OR91029	RAISE/LOWER SPACER	1
				253	OR91019	POINTER	1

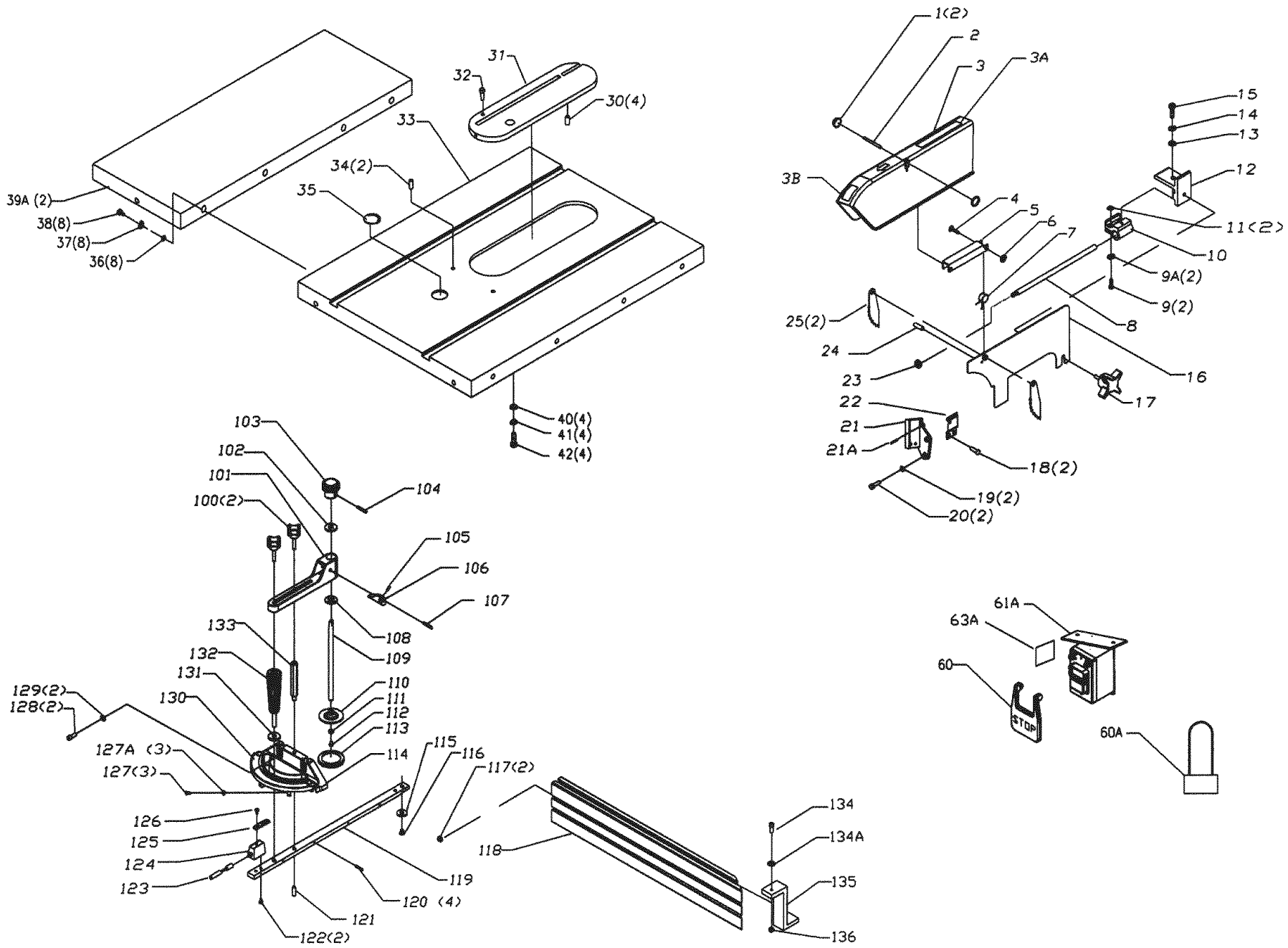


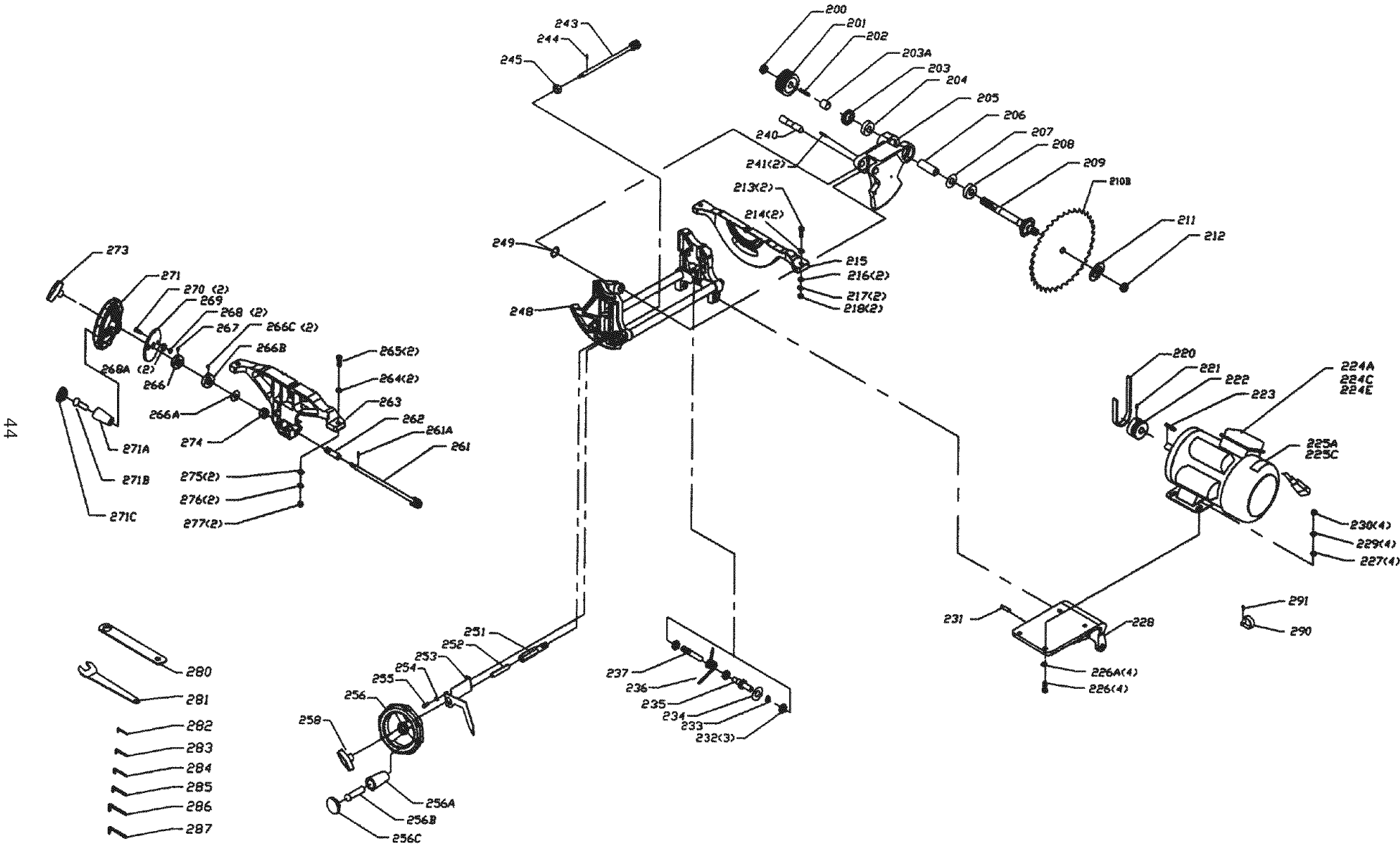
Key No.	PART No.	Description	Qty.	Key No.	PART No.	Description	Qty.
254	OR90059	FLAT WASHER M6	1	327	OR91134	WRENCH HOOK	1
255	OR91826	CHEESE HEAD SCREW M6 x 16mm	1	328	OR91135	FENCE HOOK	2
N/A	OR91804	HANDWHEEL ASSEMBLY, (NOT SHOWN) CONSISTS OF: 256, 256A, 256B 7 256C	N/A	329	OR91832	TRIANGLE TAP SCREW M4 x 8mm	6
256	OR91045	HANDWHEEL	1	329A	OR91832	TRIANGLE TAP SCREW M4 x 8mm	2
256A	OR91041	ELEVATING KNOB ASSEMBLY	1	350	OR91150	OUTFEED TABLE WELDMENT	1
256B	OR91038	KNOB BOLT	1	351	OR91754	HEX NUT M6, NYLOCK	1
256C	OR91044	KNOB END CAP	1	352	OR91156	UPPER SUPPORT	1
258	OR91046	HANDWHEEL LOCK KNOB	1	353	OR91157	LOWER SUPPORT	1
261	OR91117	TILT SHAFT ASSEMBLY	1	354	OR91754	HEX NUT M6, NYLOCK	1
261A	OR91793	SPRING PIN 3mm x 20mm	1	355	STD851006	FLAT WASHER M6	2
262	OR91738	ECCENTRIC	1	356	STD852006	LOCK WASHER M6	2
263	OR91006	FRONT BRACKET	1	357	STD833025	HEX HEAD SCREW M6 x 25mm	2
264	STD851010	FLAT WASHER M10	2	358	OR91158	SUPPORT RETAINER	1
265	STD836045	HEX HEAD SCREW M10x1.5 x 45mm	2	359	STD833035	HEX HEAD SCREW M6 x 35mm	1
266	OR91018	TILT COLLAR	1	360	OR91794	SPRING PIN 4mm x 16mm	1
266A	OR91740	FIBER WASHER 3/8"	1	361	OR91159	CLAMP KNOB	1
266B	OR91137	COLLAR	1	362	STD833035	HEX HEAD SCREW M6 x 35mm	1
266C	OR91762	HEX SOCKET SET SCREW 1/4-20 X 1/4"	2	363	STD840508	HEX NUT M5	8
267	OR91816	HEX SOCKET SET SCREW M6 x 8mm	1	364	OR91154	HINGE ASSEMBLY	2
268	STD840508	HEX NUT M5	1	365	STD851005	FLAT WASHER M5	16
268A	OR91827	SPECIAL FLAT WASHER (ID:5.3, OD:18, T:3)	2	366	STD852005	LOCK WASHER M5	8
69	OR91017	TILT BRACKET	1	367	OR91747	HEX HEAD SCREW M5 x 16mm	8
270	OR91786	ROUND HEAD SCREW M5 x 25mm	2	401	OR91600	PLASTIC CAPLUG 2" X 3"	1
N/A	OR91804	HANDWHEEL ASSEMBLY, (NOT SHOWN) CONSISTS OF: 271, 271A, 271B & 271C	N/A	402	OR91601	FENCE SIDE REPLACEMENT KIT, 42" WHITE (SEE SERVICE NOTE "A")	1
271	OR91045	HANDWHEEL	1	403	OR91602	LABEL LARGE BIESEMEYER COMM/HNS FNC	1
271A	OR91041	TILTING KNOB ASSY	1	404	STD511103	10-32 x 3/8" ROUND HEAD SCREW	2
271B	OR91038	KNOB BOLT	1	405	STD551010	#10 FLAT WASHER	2
271C	OR91044	KNOB END CAP	1	406	OR91603	CURSOR	1
273	OR91046	HANDWHEEL LOCK KNOB	1	407	OR91604	LABEL, FLAG & EAGLE"	1
274	OR91768	JAM NUT 9/16-18	1	408	OR91605	LABEL, COMM FENCE BLU/SILVER	1
275	STD851010	FLAT WASHER M10	2	409	STD511103	10-32 x 3/8" ROUND HEAD SCREW	2
276	STD852010	LOCK WASHER M10	2	410	STD551010	#10 FLAT WASHER	2
277	STD841015	HEX NUT M10x1.5	2	411	OR91603	CURSOR	1
280	OR91726	BOX END WRENCH	1	412	OR91652	1/4-20 x 1 3/4" HEX SOCKET HEAD SCREW	1
281	OR91727	OPEN END WRENCH	1	413	OR91665	3/8-16 x 1-13/16" HEX HEAD SCREW	1
282	OR90289	2.5mm ALLEN WRENCH	1	414	OR91606	KNOB	1
283	OR90290	3mm ALLEN WRENCH	1	415	OR91607	HANDLE ASSEMBLY	1
284	OR90291	4mm ALLEN WRENCH	1	416	OR91608	FOOT ASSEMBLY	1
285	OR91728	5mm ALLEN WRENCH	1	417	OR91609	PAD	2
286	OR91729	6mm ALLEN WRENCH	1	418	OR91610	PAD, WEAR	2
287	OR91808	1/8" ALLEN WRENCH	1	419	OR91656	3/8-16 NYLON INSERT	1
290	OR91814	CABLE CLAMP	1	420	OR91654	1/4-20 NYLON INSERT	1
291	OR91787	ROUND HEAD TAP SCREW 1/4-20 x 3/8"	1	421	OR91667	3/8-16 x 5/16" SOCKET HEAD SET SCREW	2
301	OR91105	CABINET ASSEMBLY	1	422	OR91610	PAD, WEAR	2
301A	OR91563	SPEC TAG (C SAW)	1	423	OR91601	FENCE SIDE REPLACEMENT KIT, 42" WHITE (SEE SERVICE NOTE "A")	1
301B	OR91565	BEVEL SCALE	1	424	STD835025	M8x1.25 x 25mm HEX HEAD SCREW	2
301C	OR91566	BLADE ELEVATION AND TILT LABEL	1	425	STD852008	M8 LOCK WASHER	2
302	OR91103	HINGE ASSEMBLY	1	426	STD851008	M8 FLAT WASHER	2
302A	STD840508	HEX NUT M5	4	427	OR91611	LABEL, APPLY PASTE WAX	1
302B	STD851005	FLAT WASHER M5	4	N/A	OR92010	BIESEMEYER T-SQUARE FENCE ASSEMBLY (not shown); Consists of Key No's: 401, 402, 403, 404, 405, 406, 407, 408, 409, 410, 411, 412, 413, 414, 415, 416, 417, 418, 419, 420, 421, 422, 423 & 427	1
303	OR91787	SHEET METAL SCREW 1/4-20 x 3/8"	3	428	OR91612	45" REAR RAIL	1
304	OR91123	MOTOR COVER	1	429	STD523115	5/16-18 x 1-1/2" HEX HEAD SCREW	3
304A	OR91564	WARNING LABEL	1	430	STD551031	5/16" FLAT WASHER	3
305	OR91777	PAN HEAD SCREW M5 X 15mm	4	431	STD551131	5/16" LOCK WASHER	3
306	OR91058	LATCH BLACK SWELL ASSEMBLY	2	432	STD541031	5/16-18 HEX NUT	3
307	OR91127	CABINET SIDE PANEL	1	433	OR91600	PLASTIC CAP PLUG 2" X 3"	2
308	OR91787	SHEET METAL SCREW 1/4-20 x 3/8"	3	434	OR91613	GUIDE TUBE ASSEMBLY	1
309	OR91787	SHEET METAL SCREW 1/4-20 x 3/8"	6	435	OR91614	LEFT HAND SCALE, 3/4", ENGLISH (SEE SERVICE NOTE "B")	1
310	OR91129	MITER GAUGE FENCE HOOK	2	436	OR91615	RIGHT HAND SCALE, 3/4", ENGLISH (SEE SERVICE NOTE "B")	1
311	OR91124	DUST CHUTE	1	437	STD541031	5/16-18 HEX NUT	6
312	OR91125	RIGHT DUST DEFLECTOR	1	438	STD551131	5/16" LOCK WASHER	6
313	OR91787	SHEET METAL SCREW 1/4-20 x 3/8"	2	439	STD551031	5/16" FLAT WASHER	6
314	OR91126	LEFT DUST DEFLECTOR	1	440	OR91660	5/16-18 x 2" FLAT HEAD SCREW	6
315	OR91787	SHEET METAL SCREW 1/4-20 x 3/8"	2	441	STD551125	1/4" SPLIT LOCK WASHER	2
316	OR91787	SHEET METAL SCREW 1/4-20 x 3/8"	1	442	STD622507	1/4-20 x 3/4" HEX HEAD SCREW	2
317	OR91737	CABLE CLAMP	1	443	STD551125	1/4" SPLIT LOCK WASHER	4
318	OR91787	SHEET METAL SCREW 1/4-20 x 3/8"	2	444	STD622505	1/4-20 x 1/2" HEX HEAD SCREW	4
319	OR91128	DUST PORT	1	445	OR91616	FRONT RAIL	1
320	OR91835	ROUND HEAD TAP SCREW 1/4-20 x 1/2"	4	446	OR91617	TABLE ASSEMBLY 12" X 27"	1
321	OR91132	LEVELING SCREW	4	N/A	OR92011	TEMPLATE (not shown)	1
322	STD840812	HEX NUT M8x1.25	4				
323	OR91787	SHEET METAL SCREW 1/4-20 x 3/8"	3				
324	OR91106	INSULATOR	1				
325	OR91090	NAMEPLATE	1				
326	OR91743	FLAT HEAD TAP SCREW 1/4-20 x 3/8"	4				

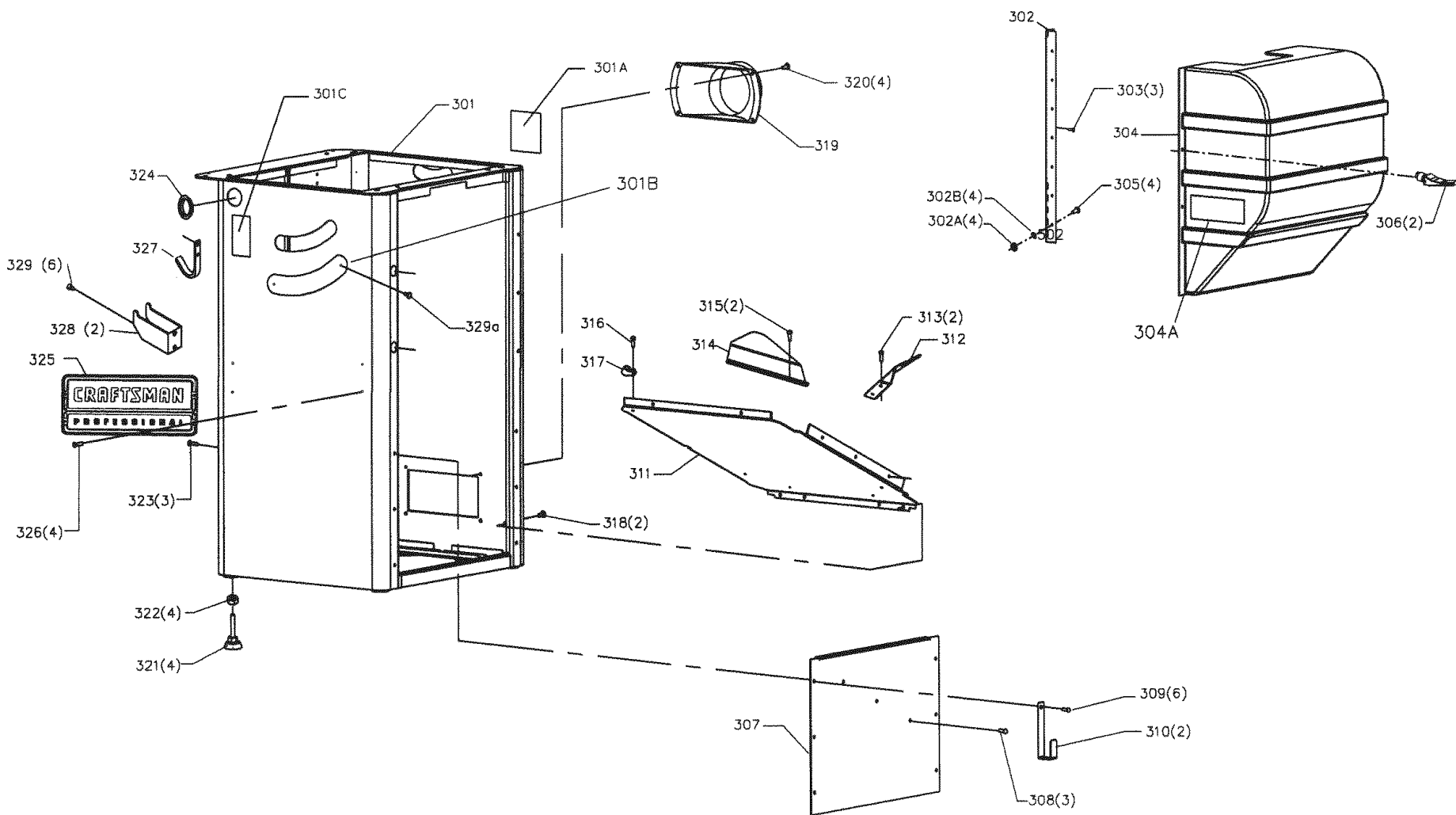
Service Notes:

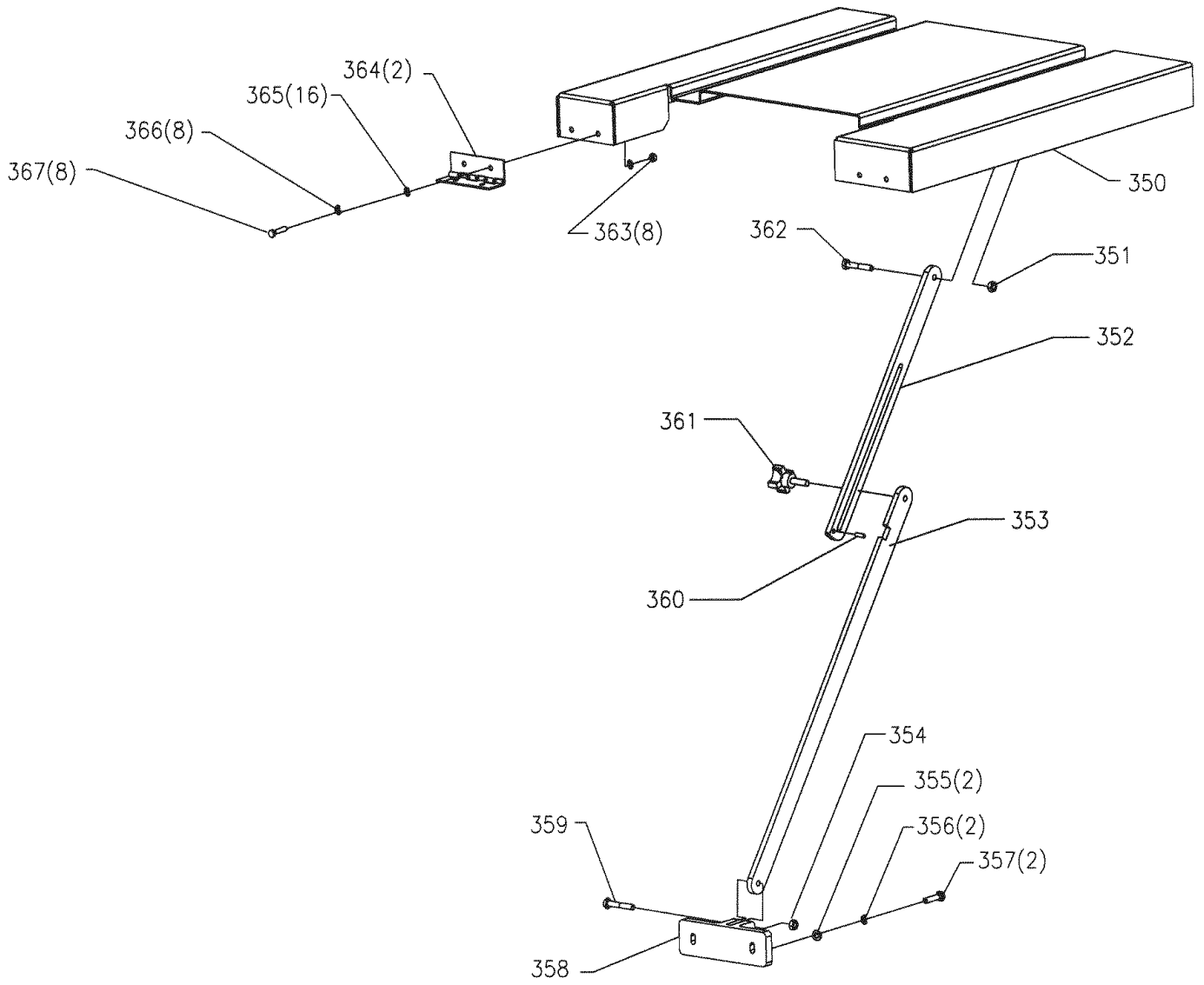
- A KIT INCLUDES; BOARD, LAMINATE, T-EDGING AND HARDWARE
- B SCALE IS PROVIDED OVERSIZE AND MUST BE CUT TO PROPER LENGTH

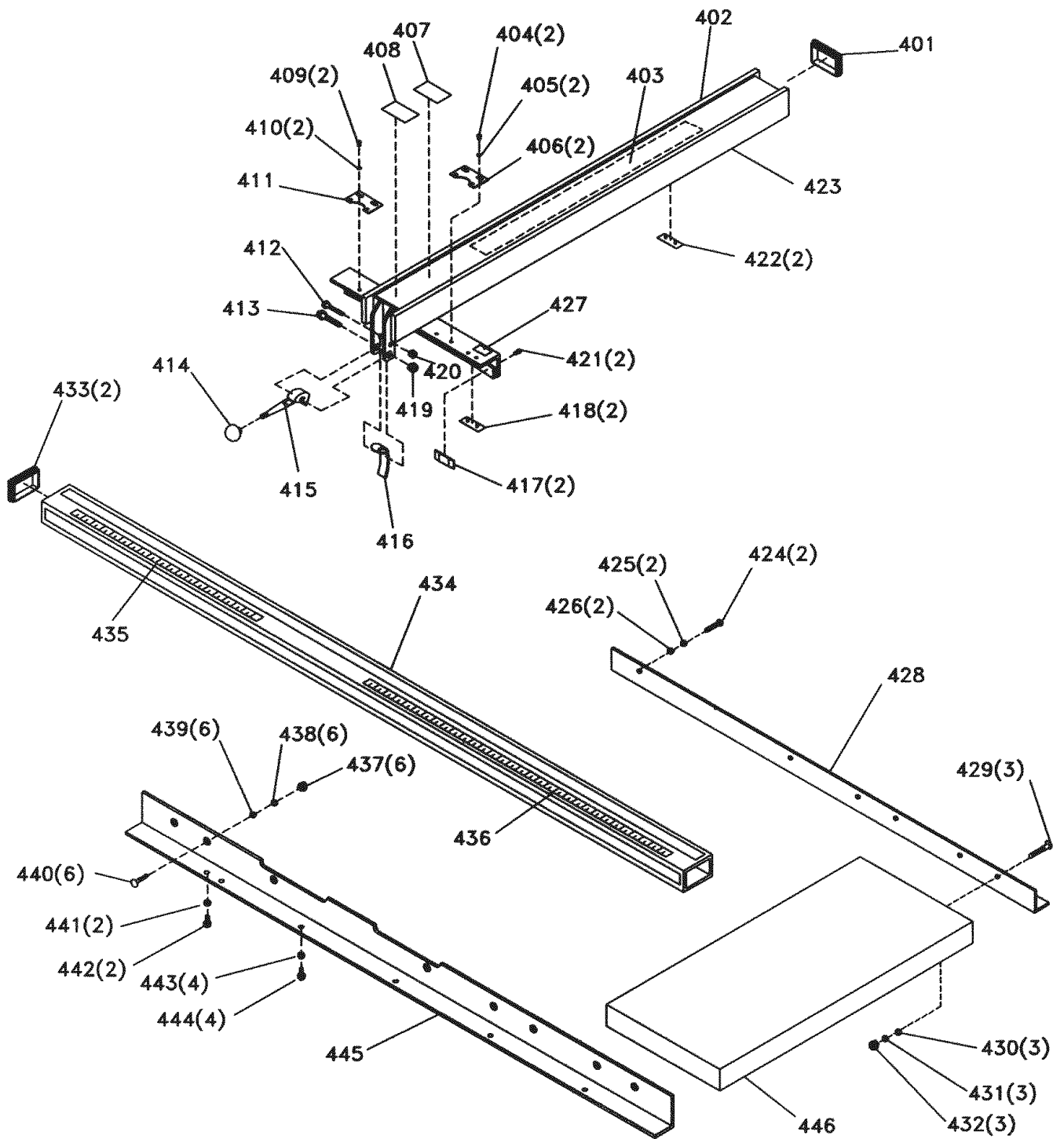












Manual del Proprietario

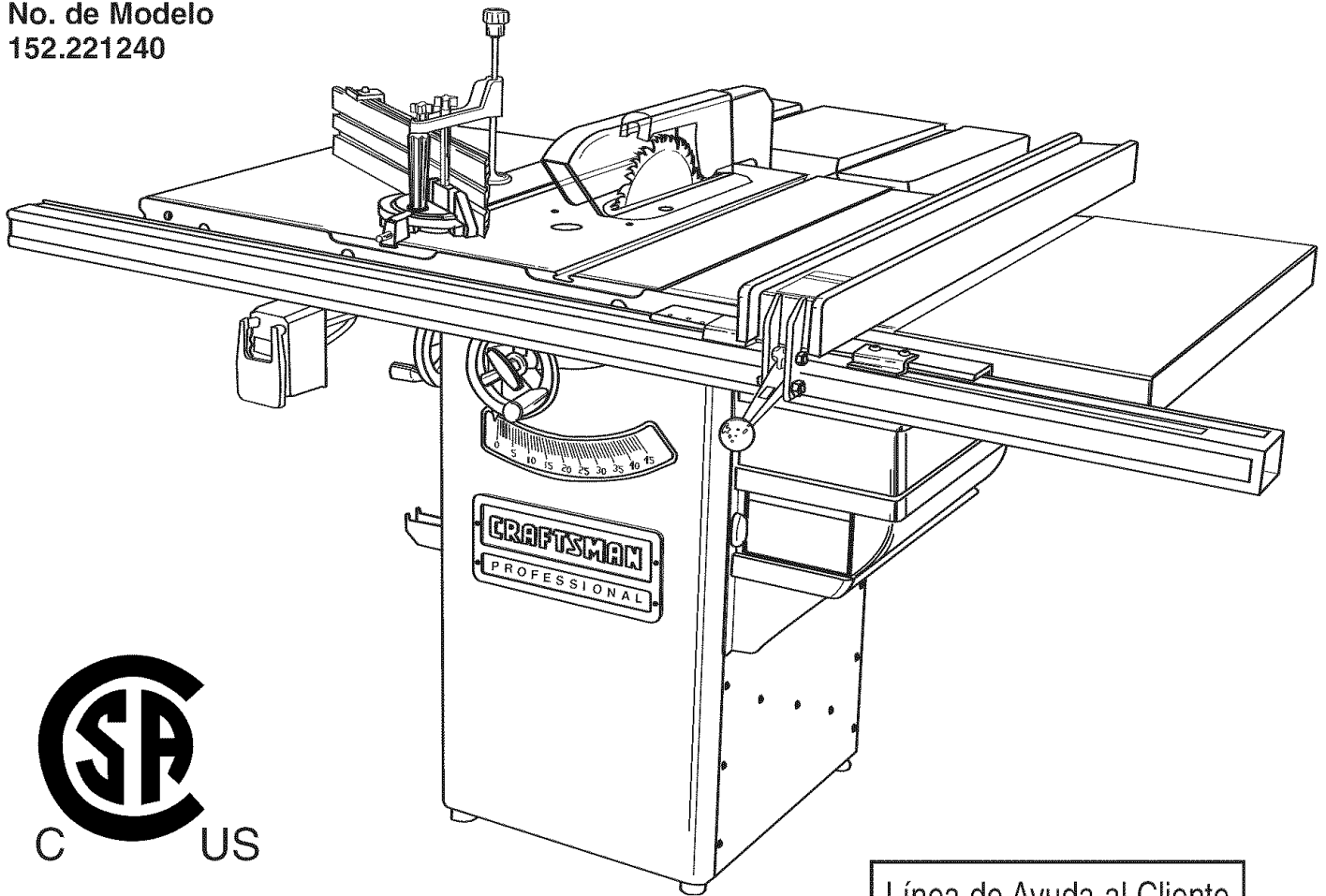
CRAFTSMAN®

P R O F E S S I O N A L

1.75 caballos de fuerza (servicio continuo)
2.4 caballos de fuerza (máximo desarrollado)
3450 R.P.M. (R.P.M. sin carga)

SIERRA DE MESA de 10 pulg.

No. de Modelo
152.221240



PRECAUCIÓN:

PARA SU SEGURIDAD PERSONAL:
Lea y obedezca todas las Instrucciones
de Seguridad y Funcionamiento antes
de accionar esta Sierra de Mesa.

Línea de Ayuda al Cliente
1-800-897-7709

Sírvase tener listo su
No de Modelo y No. de Serie.

Sears, Roebuck and Co., Hoffman Estates, IL 60179 U.S.A.

No. de Modelo OR91552

Revisado: REV. D

TABLA DE MATERIAS

SECCIÓN	PÁGINA
Garantía.....	49
Especificaciones del producto.....	49
Glosario de términos.....	50
Instrucciones de seguridad.....	51
Directrices para las extensiones eléctricas.....	52
Instrucciones de conexión a tierra.....	53
Instrucciones específicas de seguridad para las sierras de mesa.....	54
Accesorios y aditamentos.....	56
Contenido de la caja.....	58
Conozca su sierra de mesa.....	62
Instrucciones de montaje.....	63
Operaciones y ajustes.....	73
Mantenimiento.....	85
Guía de localización de averías.....	87
Información de servicio.....	88

GARANTÍA

GARANTÍA COMPLETA DE UN AÑO

Si este producto llegara a fallar debido a defectos materiales o de elaboración dentro de un año desde la fecha de compra, devuélvalo a su Centro de Servicio Sears más cercano para repararlo sin costo alguno.

Esta garantía le concede derechos legales específicos, y también podrá tener otros derechos que variarán de un estado a otro.

Sears Roebuck and Co., Dept 817 WA, Hoffman Estates, IL 60179

ESPECIFICACIONES DEL PRODUCTO

Sierra de Mesa de 10 pulg.

Tipo de motor	Inducción
HP de servicio continuo	1.75
HP máximo desarrollado	2.4
Amperios	15/7.5
Voltios	120/240
Hertz	60
RPM	3450 R.P.M. (R.P.M. sin carga)
Inclinación de la hoja	Inclinación izquierda
Marcha de la hoja	Correa Poly-V
Diámetro de la hoja	10 pulg.
Eje de la hoja	5/8 pulg.
Número de dientes	40
Velocidad de la hoja	3450 R.P.M.
Tipo de guía	Biesemeyer, Sistema de Guía Comercial
Profundidad máxima de corte a 90 grados	3-3/8 pulg.
Profundidad máxima de corte a 45 grados	2-1/4 pulg.
Corte a lo largo máximo a la derecha de la hoja	30 pulg.
Corte a lo largo máximo a la izquierda de la hoja	18 pulg.

Mesa frente a la hoja a la profundidad máxima de corte	12-1/2 pulg.
Ancho máximo de la fresa rotativa de ranurar	13/16 pulg.
Diámetro máximo de hoja de la fresa rotativa de ranurar	8 pulg.
Ala de mesa izquierda y derecha	12 pulg., hierro fundido
Peso de la sierra de mesa	330 lbs.
Peso del ensamblado de la guía	70 lbs.

ADVERTENCIA

Haga uso de la protección de circuitos correcta para evitar los choques eléctricos a sí mismo y el daño a la Sierra de Mesa. No la exponga a la lluvia ni haga uso de ella en entornos húmedos.

La Sierra de Mesa viene cableada de fábrica para el funcionamiento a 120 V, 60 Hz. Conectar a un circuito ramal de 120 V, 15 amperios y utilice un fusible o disyuntor de circuitos de retardación de tiempo de 15 amperios. El circuito eléctrico no podrá tener un tamaño de cable menor al #14. Para evitar choques o incendios, reponga el cordón de energía inmediatamente si está dañado en cualquier manera.

GLOSARIO DE TÉRMINOS

Alefriz – Muesca cuadrada en el borde del material.

Contragolpe – Cuando el material es arrojado hacia el operario durante una operación de corte en el momento que el material hace contacto inicial con la hoja, o si el material hace constricción sobre la hoja. Los contragolpes son peligrosos y pueden resultar en heridas graves.

Corte a lo largo – La operación de hacer un corte a lo largo del grano del material.

Corte compuesto – La operación de hacer cortes tanto de biselado como de ingletes a la misma vez.

Corte de biselado – La operación de realizar cualquier corte con el conjunto de hojas en cualquier grado que no sea 90 grados.

Corte de ingletes – La operación de hacer un corte utilizando la escuadra de ingletes a cualquier ángulo que no sea de cero grados.

Corte repetido – La operación de realizar un corte para reducir el grosor del material.

Corte transversal – La operación de realizar un corte a lo ancho del grano o el ancho del material.

Dedos anti-contragolpe - Dispositivo de seguridad conectado al protector de hoja y al ensamblado del hendidor diseñado para evitar la expulsión de un material durante las operaciones de corte.

Eje – El eje sobre el cual está montada la hoja o la herramienta cortante de accesorio.

Entalladura – La pieza removida del material por la hoja durante cualquier operación de corte.

Fresa rotativa de ranurar – Corte no directo que produce una muesca cuadrada. Una fresa rotativa tiene, típicamente, un ancho de 1/8 a 13/16 pulg. Una fresa rotativa requiere un conjunto especial de hojas que no están incluidas con esta sierra de mesa.

Goma, alquitrán o resina – Residuo pegajoso y basado en la savia producido por los productos de madera.

Gradación de la hoja de la sierra – La distancia en que las puntas de la hoja de la sierra están anguladas hacia afuera desde el grosor de la hoja. La gradación de los dientes de la hoja de la sierra permite que el cuerpo de la hoja atraviese todos los cortes con seguridad.

Ladeo – El mal alineamiento de la hoja con las ranuras de ingletes, o cuando la hoja no está paralela con las ranuras de ingletes.

Mano libre – Una operación muy peligrosa para efectuar un corte sin hacer uso de la guía de corte ni la escuadra de ingletes durante una operación de corte. Los cortes a mano libre jamás deben realizarse con una Sierra de Mesa.

Mesa/zona de trabajo – La superficie total de la parte superior de la sierra de mesa sobre la que descansa el material mientras que se realizan operaciones de montaje o de corte.

Refrentado – Dispositivo accesorio que puede hacerse o comprarse para ayudar a la guía o sujetar un material durante las operaciones de corte.

Trayecto de la hoja de la sierra – La zona que está directamente en línea con la hoja, incluyendo la zona por encima, por debajo y por delante de la misma.

Vara de empuje – Dispositivo accesorio que puede hacerse o comprarse para ayudar a empujar el material a través de la hoja. Se hace uso de una vara de empuje para evitar que las manos del operario entren en contacto con la hoja durante el corte a lo largo de materiales angostos.

INSTRUCCIONES DE SEGURIDAD

INSTRUCCIONES GENERALES DE SEGURIDAD

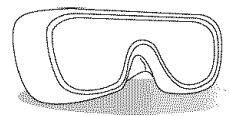
El funcionamiento de una Sierra de Mesa puede resultar peligroso si se hace caso omiso de la seguridad y del sentido común. El operario debe estar familiarizado con el funcionamiento de la herramienta. Lea este manual para entender su Sierra de Mesa. **NO OPERE** esta Sierra de Mesa si no entiende plenamente las limitaciones de dicha herramienta. **NO** haga modificaciones de ningún tipo a esta Sierra de Mesa. **RECUERDE:** Usted es responsable de su propia seguridad.

ANTES DE UTILIZAR LA SIERRA DE MESA

⚠ ADVERTENCIA

Para evitar las heridas graves y el daño a la herramienta, lea y obedezca todas las instrucciones de Seguridad y Operación antes de operar la Sierra de Mesa.

1. **LEA** a conciencia el Manual del Propietario. **APRENDA** a cómo hacer uso de esta herramienta para sus aplicaciones diseñadas.
2. **CONECTE TODAS LAS HERRAMIENTAS A TIERRA.** Si la herramienta se suministra con un enchufe de 3 machos, se le debe enchufar a un tomacorrientes que disponga de 3 contactos eléctricos. El tercer macho se utiliza para conectar la herramienta a tierra y ofrecer protección contra los choques eléctricos accidentales. **NO** quite el tercer macho. Vea las Instrucciones de Conexión a Tierra.
3. **EVITE UN ENTORNO LABORAL PELIGROSO. NO** utilice las herramientas eléctricas en un entorno húmedo, ni tampoco las exponga a lluvia.
4. **NO** utilice herramientas eléctricas si hay gases o líquidos inflamables presentes.
5. **MANTENGA SIEMPRE** su zona de trabajo limpia, bien alumbrada y organizada. **NO TRABAJE** en un entorno con superficies de piso resbalosas a consecuencia de los escombros, la grasa y la cera.
6. **MANTENGA ALEJADOS A LOS NIÑOS Y VISITANTES.** **NO** permita que haya personas en la zona inmediata de trabajo, particularmente cuando la herramienta eléctrica se encuentre en funcionamiento.
7. **NO DEBE FORZAR LA HERRAMIENTA** a realizar operaciones para las que no fue diseñada. Realizará una labor más segura y de mejor calidad si se le utiliza para realizar operaciones para las que fue diseñada.
8. **UTILICE VESTIMENTA APROPIADA. NO** vista ropa holgada, guantes, corbatas ni artículos de joyería. Estos artículos pueden quedar atrapados en la máquina durante las operaciones y tirar del operario, atrayéndolo hacia las piezas en movimiento. El usuario debe llevar una cubierta protectora sobre el cabello, si tiene cabellera larga, para impedir el contacto con cualquier pieza en movimiento.
9. **UTILICE PROTECCIÓN OCULAR SIEMPRE.** Cualquier herramienta mecánica puede arrojar escombros hacia los ojos durante el funcionamiento, pudiendo esto resultar en heridas oculares graves y permanentes. Los anteojos de uso cotidiano **NO** son gafas de seguridad. Utilice Gafas de Protección **SIEMPRE** (que cumplan con la normativa Z87.1 de ANSI) durante la operación de herramientas mecánicas. Las Gafas de Protección están disponibles en las tiendas Sears de ventas al detal. El equipo auditivo debe cumplir con la Normativa S3.19 de ANSI.
10. **SIEMPRE DESENCHUFE LA HERRAMIENTA DEL TOMACORRIENTES** cuando vaya a realizar ajustes, cambiar piezas o realizar cualquier clase de mantenimiento.
11. **MANTENGA LOS ESCUDOS DE PROTECCIÓN EN SU SITIO Y EN BUEN ESTADO DE FUNCIONAMIENTO.**
12. **EVITE EL ARRANQUE ACCIDENTAL.** Asegúrese de que el interruptor de potencia se encuentre en la posición de "APAGADO" antes de enchufar el cordón de potencia en el tomacorrientes.
13. **QUITE TODAS LAS HERRAMIENTAS DE MANTENIMIENTO** de la zona inmediata antes de encender la herramienta.
14. **SÓLO UTILICE ACCESORIOS RECOMENDADOS.** El uso de accesorios incorrectos o poco apropiados puede ocasionar heridas graves al operario y ocasionar daño a la herramienta. Si tiene dudas, consulte el manual de instrucciones que se adjunta con el accesorio específico.
15. **JAMÁS DEJE UNA HERRAMIENTA EN FUNCIONAMIENTO SIN ATENDER.** Conmute el interruptor de energía a la posición de apagado. **NO** abandone la herramienta hasta que esta se haya detenido por completo.
16. **NO SE PARE SOBRE LA HERRAMIENTA.** Pueden producirse heridas graves si la herramienta se vuelca o si usted hace contacto con la herramienta accidentalmente.
17. **NO ALMACENE** nada por encima ni cerca de la máquina en donde alguien pueda intentar pararse en la herramienta para alcanzarlo.
18. **MANTENGA SU EQUILIBRIO. NO** se extienda sobre la herramienta. Haga uso de zapatos con suela de caucho resistente al aceite. Mantenga el piso libre de escombros, grasa o cera.
19. **MANTENGA SUS HERRAMIENTAS CUIDADOSAMENTE.** Mantenga sus herramientas limpias y en buen estado. Mantenga afiladas todas las hojas y brocas.



20. **REVISE SI HAY PIEZAS DAÑADAS ANTES DE CADA USO DE LA HERRAMIENTA.** Revise todos los protectores cuidadosamente para comprobar que funcionan correctamente y que no están dañados, y que realizan sus funciones diseñadas correctamente. Revise el alineamiento, la fijación o la ruptura de las piezas en movimiento. Cualquier protector u otra pieza que se encuentre dañada debe repararse o reemplazarse inmediatamente.
21. **HAGA SU TALLER A PRUEBA DE NIÑOS** quitando las llaves del interruptor, desenchufando las herramientas de los tomacorrientes y haciendo uso de candados.
22. **NO OPERE LA HERRAMIENTA BAJO LA INFLUENCIA DE LAS DROGAS O DEL ALCOHOL.**
23. **AFIANCE TODO EL MATERIAL.** Siempre que resulte posible, utilice abrazaderas o plantillas para asegurar el material. Esto ofrece mayor seguridad que intentar sujetar el material con sus propias manos.
24. **MANTÉNGASE ALERTA, ESTÉ CONSCIENTE DE LO QUE HACE, Y UTILICE SENTIDO COMÚN CUANDO VAYA A OPERAR UNA HERRAMIENTA MECÁNICA. NO UTILICE LA HERRAMIENTA SI ESTÁ CANSADO O BAJO LA INFLUENCIA DE DROGAS, ALCOHOL O MEDICAMENTOS.** Un momento de descuido durante el uso de herramientas eléctricas puede resultar en lesiones personales graves.

⚠️ ADVERTENCIA

25. El uso de esta herramienta puede generar y dispersar polvo u otras partículas aéreas, incluyendo polvo de madera, polvo de sílice cristalino y polvo de asbesto. Dirija las partículas en la dirección opuesta a la cara y el cuerpo. Opere la herramienta siempre en un lugar con buena ventilación y proporcione la eliminación correcta de polvo. Utilice un sistema de recolección de polvo siempre que sea posible. La exposición al polvo puede ocasionar daño respiratorio grave y permanente u otros daños, incluyendo silicosis (una enfermedad pulmonar grave), cáncer y la muerte. Evite respirar el polvo y evite el contacto prolongado con el polvo. El permitir la entrada del polvo en su boca u ojos, o dejar que permanezca sobre su piel, podrá promover la absorción de materiales dañinos. Utilice siempre la protección respiratoria NIOSH / OSHA que sea apropiada para la exposición al polvo y lave las zonas afectadas con jabón y agua.
26. **UTILICE UNA EXTENSIÓN ELÉCTRICA CORRECTA Y EN BUEN ESTADO.** Cuando vaya a hacer uso de una extensión eléctrica, asegúrese de utilizar una que sea lo suficientemente fuerte como para transportar la corriente a ser utilizada por su herramienta. Tenga la bondad de referirse a la tabla “**CALIBRE MÍNIMO RECOMENDADO PARA LAS EXTENSIONES ELÉCTRICAS (AWG)**” para el dimensionamiento correcto de la extensión eléctrica. Si tiene dudas, utilice la siguiente extensión de mayor calibre.
27. **DIRECCIÓN DE LA ALIMENTACIÓN.** Alimente el material hacia la hoja o cortadora sólo contra el sentido de la rotación de la hoja o cortadora.

DIRECTRICES PARA LAS EXTENSIONES ELÉCTRICAS

Mientras menor sea el número de calibre, mayor será el diámetro de la extensión eléctrica. Si tiene dudas sobre las dimensiones correctas de una extensión eléctrica, utilice un cordón más corto y más grueso. Una extensión de dimensiones insuficientes producirá una caída en el voltaje de línea, resultando en una pérdida de potencia y el sobrecalentamiento. **SÓLO UTILICE UNA EXTENSIÓN ELÉCTRICA DE 3 HILOS QUE DISPONGA DE UN ENCHUFE DE CONEXIÓN A TIERRA DE 3 MACHOS, Y UN RECEPTÁCULO DE 3 POLOS QUE ACEPTE EL ENCHUFE DE LA MÁQUINA.**

Si está haciendo uso de una extensión eléctrica a la intemperie, esté seguro de que la extensión se encuentre marcada con “W-A” (“W” en el Canadá), lo que indica que su uso a la intemperie es aceptable.

Asegúrese de que las dimensiones de su extensión eléctrica sean las correctas y que se encuentre en buen estado eléctrico. Repare siempre una extensión eléctrica dañada, o procure que una persona experta la repare antes del uso.

Proteja sus extensiones eléctricas contra los objetos filosos, el calor en exceso y de los lugares mojados o húmedos.

CALIBRE MÍNIMO (AWG) RECOMENDADO PARA LAS EXTENSIONES ELÉCTRICAS			
FUNCIONAMIENTO A 120 VOLTIOS SOLAMENTE			
	25 PIES DE LARGO	50 PIES DE LARGO	100 PIES DE LARGO
0 a 6 Amperios	18 AWG	16 AWG	16 AWG
6 a 10 Amperios	18 AWG	16 AWG	14 AWG
10 a 12 Amperios	16 AWG	16 AWG	14 AWG
12 a 15 Amperios	14 AWG	12 AWG	No se recomienda

CALIBRE MÍNIMO (AWG) RECOMENDADO PARA LAS EXTENSIONES ELÉCTRICAS			
FUNCIONAMIENTO A 240 VOLTIOS SOLAMENTE			
	25 PIES DE LARGO	50 PIES DE LARGO	100 PIES DE LARGO
0 a 6 Amperios	18 AWG	18 AWG	16 AWG
6 a 10 Amperios	18 AWG	18 AWG	14 AWG
10 a 12 Amperios	16 AWG	16 AWG	14 AWG
12 a 15 Amperios	14 AWG	12 AWG	No se recomienda

INSTRUCCIONES DE CONEXIÓN A TIERRA

⚠ ADVERTENCIA

ESTA HERRAMIENTA DEBE ESTAR CONECTADA A TIERRA DURANTE EL USO PARA PROTEGER AL OPERARIO CONTRA LOS CHOQUES ELÉCTRICOS.

EN EL CASO DE UN MALFUNCIONAMIENTO O AVERÍA, la conexión a tierra ofrece el trecho de menor resistencia para la corriente eléctrica y reduce el riesgo de los choques eléctricos. Esta herramienta viene equipada con un cordón eléctrico que dispone de un conductor de conexión a tierra para el equipo así como un enchufe de conexión a tierra. El enchufe **DEBE** estar enchufado a un tomacorrientes coincidente que haya sido correctamente instalado y conectado a tierra de acuerdo con **TODOS** los códigos y ordenanzas municipales.

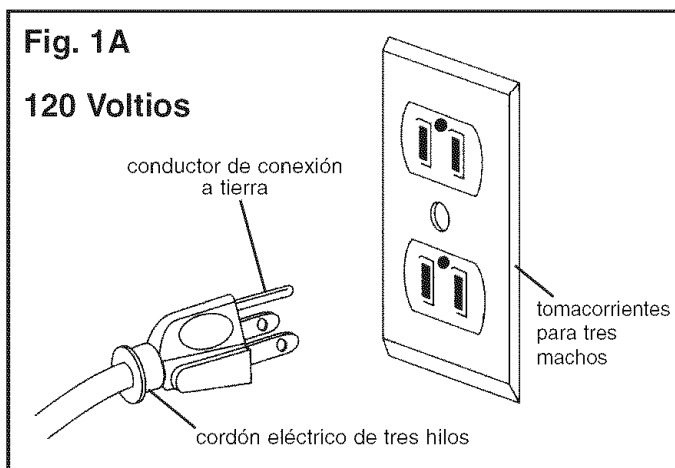
NO MODIFIQUE EL ENCHUFE SUMINISTRADO. Haga que un electricista calificado instale el tomacorrientes apropiado si el enchufe no cabe en el tomacorrientes.

LA CONEXIÓN ELÉCTRICA INCORRECTA del conductor de conexión a tierra para el equipo puede resultar en el riesgo de choques eléctricos. El conductor con el aislamiento verde (con o sin rayas amarillas) es el conductor de conexión a tierra para el equipo. **NO** conecte el conductor de conexión a tierra para el equipo a una terminación viva si resulta necesario reparar o reemplazar el cordón eléctrico o el enchufe.

CONSULTE con un electricista calificado o personal de servicio si no entiende las instrucciones de conexión a tierra completamente, o si no está seguro que la herramienta está debidamente conectada a tierra.

El motor suministrado con su Sierra de Mesa es un motor monofásico de corriente alterna y voltaje doble de 120/240 voltios, 60 hertzios. Se envía cableado para las aplicaciones a 120 voltios. Jamás conecte el alambre verde (de tierra) a un terminal vivo.

SÓLO UTILICE UNA EXTENSIÓN ELÉCTRICA DE 3 HILOS QUE DISPONGA DE UN ENCHUFE DE CONEXIÓN A TIERRA DE 3 MACHOS, Y UN RECEPTÁCULO DE 3 POLOS QUE ACEPTE EL ENCHUFE DE LA MÁQUINA.



REPONGA CUALQUIER CORDÓN DAÑADO O GASTADO INMEDIATAMENTE.

PARA LAS MÁQUINAS CONECTADAS A TIERRA Y CON CORDÓN DISEÑADAS PARA EL USO EN UN CIRCUITO DE SUMINISTRO CON UNA POTENCIA DE RÉGIMEN MENOR A LOS 150 VOLTIOS.

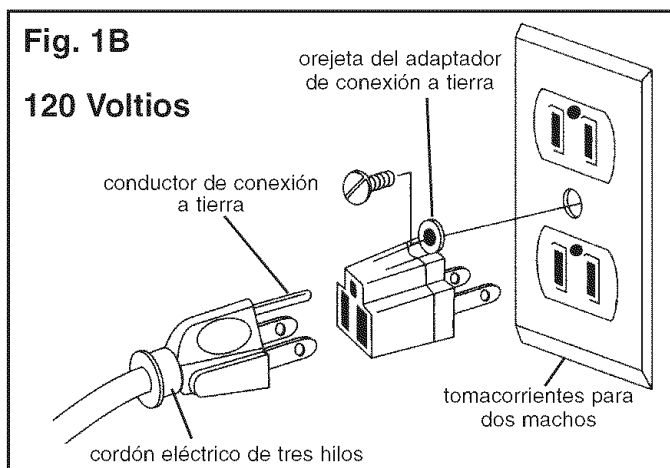
Esta herramienta está diseñada para el uso en un circuito que disponga de un tomacorrientes como el que se ilustra en la **FIGURA "1A"**. La **FIGURA "1A"** muestra un enchufe eléctrico de 3 hilos y un tomacorrientes eléctrico con conductor de conexión a tierra. Si no se encuentra disponible un tomacorrientes debidamente conectado a tierra, se puede hacer uso de un adaptador, según lo ilustrado en la **FIGURA "1B"**, para conectar dicho enchufe provisionalmente al tomacorrientes de 2 contactos que no está conectado a tierra. El adaptador cuenta con una orejeta rígida que **DEBE** ser conectada a una conexión a tierra permanente, tal como lo es una caja de tomacorrientes debidamente conectada a tierra. **SE PROHÍBE EL USO DE ESTE ADAPTADOR EN EL CANADÁ.**

PRECAUCIÓN: En todos los casos, asegúrese de que el tomacorrientes en cuestión esté debidamente conectado a tierra. Si no está seguro, haga que un electricista certificado revise el tomacorrientes.

El motor suministrado con su Sierra de Mesa es un motor monofásico de voltaje doble, 120/240 voltios. Si desea operar su sierra de mesa a 240 voltios, será necesario reconectar los avances del motor dentro de la caja de empalmes del motor, siguiendo el diagrama de cableado que aparece en la cubierta de la caja de empalmes.

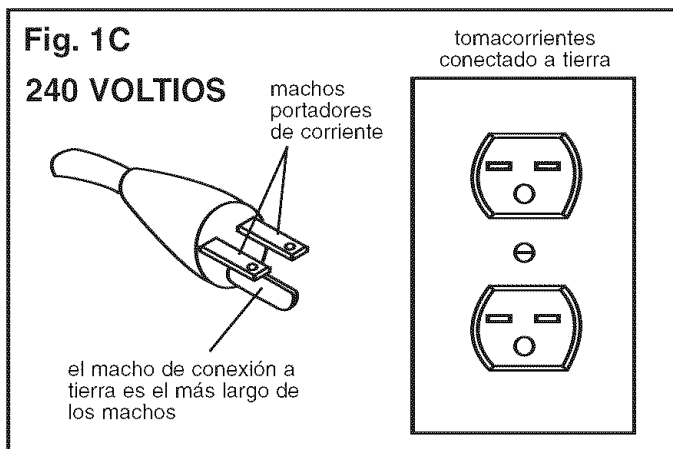
⚠ ADVERTENCIA

ASEGÚRESE de que el motor esté desconectado de la fuente de energía antes de reconectar los avances del motor.



También será necesario reemplazar el enchufe de 120 voltios suministrado con el motor por un enchufe clasificado por UL/CSA como apropiado para los 240 voltios y la corriente clasificada de la sierra. Comuníquese con un electricista local competente acerca de los procedimientos correctos para instalar el enchufe. La sierra de mesa debe cumplir con todos los códigos eléctricos en el ámbito local y nacional tras la instalación del enchufe de 240 voltios.

La sierra de mesa con el enchufe de 240 voltios sólo debe conectarse a un tomacorrientes que disponga de la misma configuración que el enchufe ilustrado en la Figura "1C". No hay adaptadores disponibles para el enchufe de 240 voltios ni tampoco debe usarse ninguno.



⚠ ADVERTENCIA

ASEGÚRESE de que el tomacorrientes en cuestión esté debidamente conectado a tierra. Si no está seguro, haga que un electricista competente revise el tomacorrientes.

⚠ ADVERTENCIA

La Sierra de Mesa es para el uso en interiores exclusivamente. No la exponga a la lluvia, ni haga uso de ella en lugares húmedos.

INSTRUCCIONES DE SEGURIDAD ESPECÍFICAS PARA LAS SIERRAS DE MESA

REGLAMENTO "PROPOSITION 65" DE CALIFORNIA

⚠ ADVERTENCIA

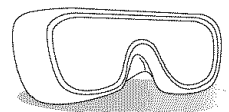
EL POLVO GENERADO MEDIANTE LIJADO MECÁNICO, ASERRADO, RECTIFICACIÓN, PERFORACIÓN Y OTRAS ACTIVIDADES DE CONSTRUCCIÓN contiene productos químicos conocidos como fuentes de cáncer, defectos de nacimiento u otros daños reproductivos. Algunos ejemplos de estos químicos incluyen los siguientes:

- plomo proveniente de pinturas con base de plomo,
- sílice cristalino de ladrillos y cemento y otros productos de mampostería, y
- arsénico y cromo de las maderas tratadas con químicos.

Su riesgo proveniente de dichas exposiciones podrá variar según qué tan a menudo realice dicha clase de trabajo. Para reducir su exposición a estos químicos: trabaje en un sitio que goce de buena ventilación y trabaje con equipo de seguridad aprobado, tal como las caretas de polvo diseñadas especialmente para filtrar las partículas microscópicas.

ASEGÚRESE de que las máscaras o respiradores tienen aprobación MSHA / NIOSH.

El funcionamiento de cualquier sierra de mesa puede tener como consecuencia la expulsión de escombros hacia sus ojos, lo que puede resultar en heridas oculares graves. **UTILICE SIEMPRE** Gafas de Protección (que cumplan con la normativa Z87.1 de ANSI) cuando vaya a hacer uso de la sierra de mesa. Las Gafas de Seguridad están disponibles en las tiendas Sears de ventas al detal. Mantenga los pulgares y los dedos alejados de la hoja mientras que esta se encuentre girando.



Debe observar siempre las precauciones básicas cuando utiliza su Sierra de Mesa. Para reducir el riesgo de lesión, choque eléctrico o incendio, cumple con las reglas de seguridad que siguen:

1. **LEA** y entienda el manual de instrucciones antes de poner la sierra de mesa en funcionamiento.
2. **NO OPERE ESTA MÁQUINA** hasta que se encuentre ensamblada e instalada conforme a las instrucciones.
3. **ASESORESE CON SU SUPERVISOR**, instructor u otra persona experta si no está familiarizado con el uso de esta máquina
4. **NO PERMITA** que la sierra de mesa permanezca enchufada al tomacorrientes. La sierra de mesa debe desenchufarse del tomacorrientes cuando no se encuentre en uso y antes de rendir servicio, cambiar hojas y limpiar.
5. **COLOQUE** el interruptor de energía en "APAGADO" antes de desenchufar la sierra de mesa.
6. **PARA REDUCIR EL RIESGO DE CHOQUES ELÉCTRICOS**, no utilice la sierra a la intemperie. No la exponga a la lluvia. Almacénela puertas adentro.
7. **OBEDEZCA** todos los códigos eléctricos y de seguridad, incluyendo el Código Eléctrico Nacional (NEC) y las Normas de Salud y Seguridad en el Trabajo (OSHA). Todas la conexiones y cableado eléctrico deben ser realizadas sólo por personal competente.
8. **NO** manipule el enchufe ni la sierra de mesa con las manos mojadas.
9. **UTILÍCELA** sólo como se describe en este manual. Utilice accesorios recomendados por Sears solamente.
10. **JAMÁS** tire de la Sierra de Mesa por su cordón de energía. **NUNCA** permite que el cordón de energía entre en contacto con bordes filosos, superficies calientes, aceite o grasa.
11. **NO** desenchufe la sierra de mesa tirando del cordón de energía. **AGARRE** siempre el enchufe y no el cordón.
12. **REPONGA** un cordón dañado inmediatamente. **NO** utilice un cordón o enchufe que estén dañados. Si la sierra de mesa funciona debidamente, o si ha sido dañada, dejada a la intemperie o si ha entrado en contacto con el agua, devuélvala a un Centro de Servicio Sears.
13. **NO** utilice la sierra de mesa como juguete. **NO LA UTILICE** si hay niños presentes.

14. La Sierra de Mesa está diseñada para el uso doméstico o el uso comercial ligero **SOLAMENTE**.
15. **CONECTE** la sierra de mesa a un tomacorrientes debidamente conectado a tierra. Vea las instrucciones de conexión a tierra.
16. **UTILICE SIEMPRE** los protectores cuando resulte posible hacerlo. Revise que estén en su sitio, afianzados y funcionando correctamente.
17. **EVITE LOS CONTRAGOLPES** haciendo lo siguiente:
 - Manteniendo la hoja afilada y libre de oxidación y alquitrán.
 - Manteniendo la guía de corte a lo largo paralela con la hoja de la sierra.
 - Usando el protector de la hoja de la sierra y el ensamblado del hendidor para todas las operaciones posibles, incluyendo el aserrado directo.
 - Empujando el material más allá de la hoja de la sierra antes de soltarlo.
 - No cortando a lo largo jamás ningún material que esté torcido o alabeado, o que no disponga de un borde recto para guiarlo a lo largo de la guía de corte.
 - Usando tablas de refrentado cuando no pueda utilizarse el protector de hoja y el ensamblado del hendidor.
 - No aserrando jamás una pieza de material grande que no pueda controlarse.
 - No usando jamás la guía durante el corte transversal.
 - No aserrando jamás un material con nudos sueltos u otras imperfecciones.
18. **RETIRE** las piezas troceadas y los escombros de la mesa antes de arrancar la sierra. La vibración de la sierra puede hacer que se muevan hacia la hoja de la sierra, expulsándolas. Después de realizar el corte, apague la sierra. Cuando la hoja se haya detenido por completo, desenchufe la sierra y retire los escombros.
19. **JAMÁS ARRANQUE** la sierra con el material contra la hoja.
20. **JAMÁS** realice operaciones “a mano libre”. Haga uso de la guía de corte o de la guía de ingletes para orientar y guiar el material. Sujete el material firmemente contra la escuadra de ingletes o la guía de corte.
21. **UTILICE** una varilla o varillas de empuje para cortar materiales angostos a lo largo.
22. **EVITE OPERACIONES Y POSICIONES MANUALES TORPES** en las que un deslizamiento repentino puede hacer que su mano haga contacto con la hoja de la sierra.
23. **MANTENGA** brazos, manos y dedos alejados de la hoja.
24. **JAMÁS** ponga ninguna parte de su cuerpo en línea con el trayecto de la hoja de la sierra.
25. **JAMÁS** intente alcanzar alrededor ni por encima de la hoja.
26. **JAMÁS** intente liberar una hoja atascada sin primero apagar y desenchufar la hoja de la fuente de energía.
27. **JAMÁS** realice labores de trazado, ensamblado o montaje sobre la mesa / zona de trabajo cuando la máquina se encuentre en funcionamiento.
28. **JAMÁS** reestablezca el botón de sobrecarga térmica sin haber apagado antes la sierra de mesa.
29. **APOYE** los materiales largos o anchos correctamente.
30. **APAGUE LA SIERRA** y desenchúfela de la fuente de energía. Limpie la mesa / zona de trabajo antes de abandonar la sierra. **BLOQUEE** el interruptor de ARRANQUE / PARADA (START/STOP) con el candado suministrado para impedir el uso desautorizado.
31. **POSICIONE SIEMPRE** la guía auxiliar por lo menos 2 pulgadas en frente de la hoja de la sierra cuando vaya a usar la guía auxiliar como tope de parada durante el corte transversal.
32. El ala de extensión derecha **DEBE ESTAR** plenamente ensamblado y la cubierta del motor debe estar cerrada y afianzada antes de que se conecte la sierra de mesa a la fuente de energía.
33. **INFORMACIÓN ADICIONAL** sobre el funcionamiento seguro y correcto de este producto está disponible de parte del National Safety Council, 1121 Spring Lake Drive, Itasca, IL 60143-3201 en el Manual de Prevención de Accidentes para Operaciones Industriales así como en las Hojas de Datos de Seguridad suministradas por el NSC. Tenga la bondad de referirse también a los Requisitos de Seguridad para la Maquinaria de Ebanistería (ANSI 01.1 de la American National Standards Institute) y el Reglamento OSHA 1910.213 del U.S. Department of Labor.
34. **GUARDE ESTAS INSTRUCCIONES.** Refiérase a ellas con frecuencia y utilícelas para instruir a los demás.

Las fuentes que aparecen a continuación tienen información disponible acerca de la venta y funcionamiento correcto de esta herramienta:

Power Tool Institute
1300 Summer Avenue
Cleveland, OH 44115-2851
www.powertoolinstitute.org

National Safety Council
1121 Spring Lake Drive
Itasca, IL 60143-3201

American National Standards Institute
25 West 43rd Street
4th floor
New York, NY 10036
www.ansi.org

ANSI 01.1 Safety Requirements for Woodworking Machines (Requisitos de Seguridad para la Maquinaria de Ebanistería ANSI 01.1) y los reglamentos del U.S. Department of Labor
www.osha.gov

ACCESORIOS Y ADITAMENTOS

ACCESORIOS DISPONIBLES

Visite su Departamento de Ferretería de Sears o consulte el Catálogo de Herramientas Eléctricas y de Mano de Sears para los siguientes accesorios:

ARTÍCULO	NÚMERO DE EXISTENCIA
* Extensión y Tope de Parada de la Escuadra de Ingletes	29879
* Abrazadera de Material, Escuadra de Ingletes	29880
* Inserción de Mesa - Estándar	29882
* Inserción de Mesa – Fresa Rotativa	29885
* Inserción de Mesa – Cabezal de Corte para Moldura	29887
* Hoja de Sierra – Leitz; Hoja de Paso Variable, 10 pulg. x 40 dientes	29888
* Sistema de Guías	32371

Sears podrá recomendar otros accesorios no listados en este manual.

Consulte su Departamento de Ferretería de Sears más cercano o el Catálogo de Herramientas Eléctricas y de Mano de Sears para otros accesorios.

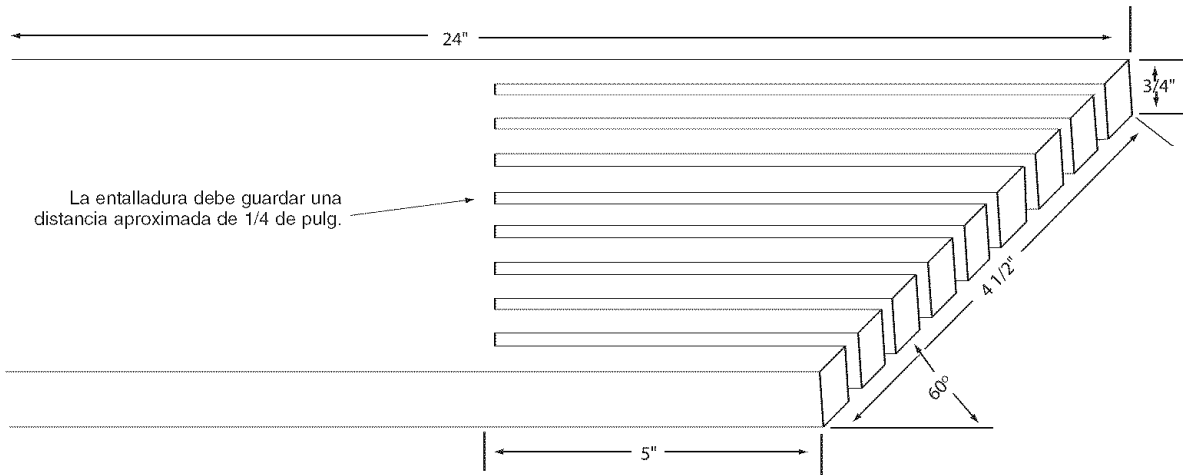
No utilice ningún accesorio a menos que haya leído cabalmente el Manual del Propietario para dicho accesorio.

⚠ ADVERTENCIA

Sólo utilice accesorios recomendados para esta Sierra de Mesa. El uso de otros accesorios puede ocasionar lesiones graves y producir daño a la Sierra de Mesa.

CONSTRUYENDO UNA TABLA DE BISELADO

Fig. 2A

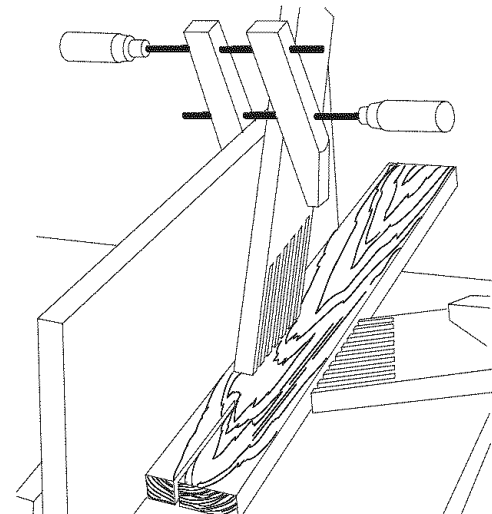


La Figura 2A ilustra las dimensiones para hacer una tabla de biselado típica. El material del cual está hecho la tabla de biselado debe ser una pieza de madera recta que esté libre de nudos y grietas. Las tablas de biselado se utilizan para mantener el trabajo en contacto con la guía y la mesa para impedir los contragolpes. Afiance la tabla de biselado a la guía y la mesa de manera que el borde delantero de la tabla de biselado apoye el material hasta que se haya realizado el corte.

⚠ ADVERTENCIA

Utilice tablas de biselado para todas las operaciones de corte que no sean de paso y en las que debe retirarse el protector y el ensamblado del hendidor. Reponga siempre el protector y el ensamblado del hendidor una vez completadas las operaciones de corte que no sean de paso. Ver figura 2B.

Fig. 2B

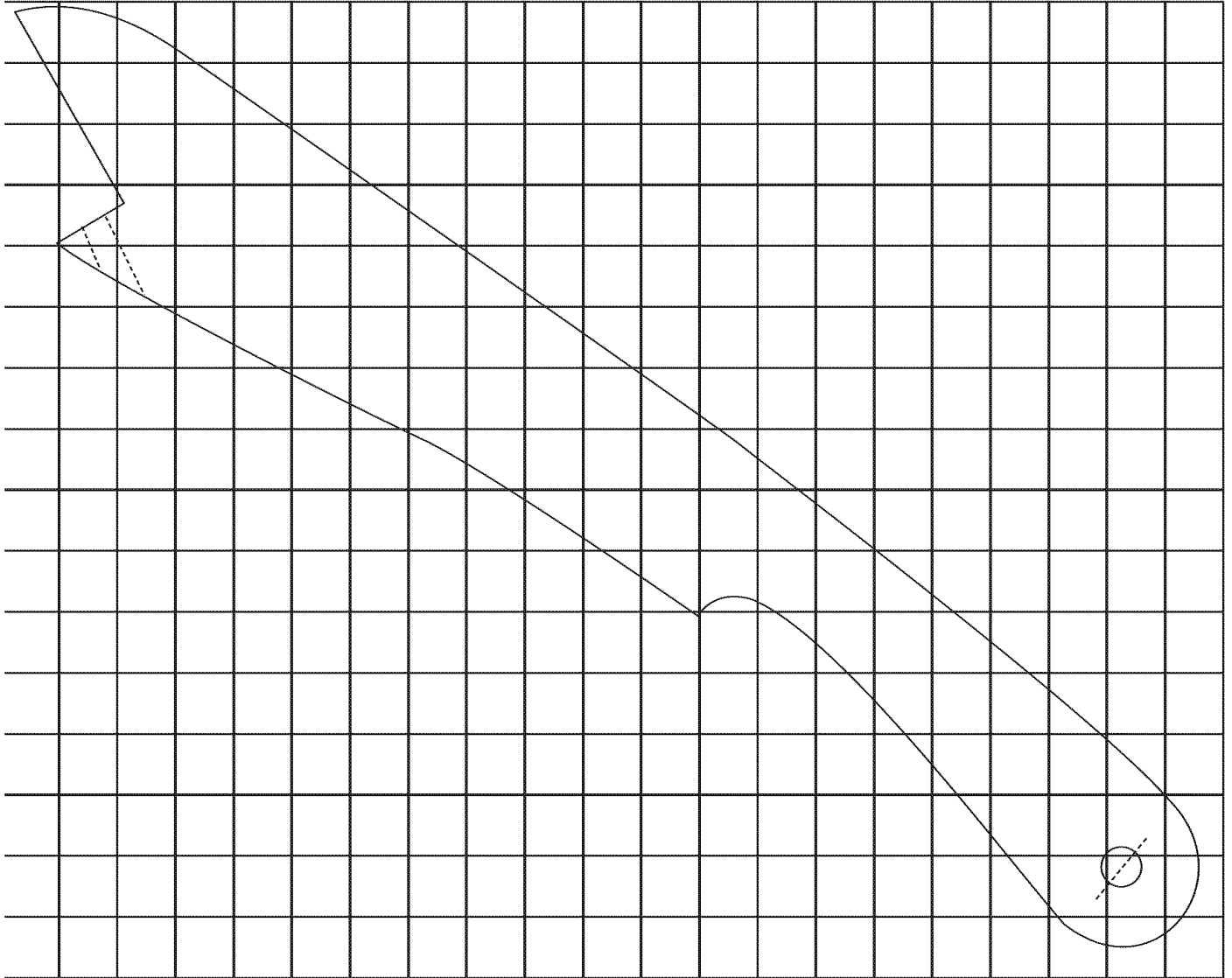


CONSTRUYENDO UNA VARA DE EMPUJE

⚠️ ADVERTENCIA

Durante el corte a lo largo de materiales con menos de 4 pulgadas de ancho, se debe hacer uso de una vara de empuje para completar la alimentación. Puede construirse fácilmente utilizando material descartado y siguiendo el patrón ilustrado en la Figura 2C.

Fig. 2C



La vara de empuje debe estar hecha con madera de $3/4$ ó $1/2$ pulgada o con un grosor inferior al ancho del material a cortarse.

La figura 2C debe copiarse y hacerse a escala, de tal manera que las rejillas sean de $1/2$ pulgada cuadrada. Esta copia puede emplearse en la construcción de su vara de empuje.

CONTENIDO DE LA CAJA

DESEMPACANDO Y REVISANDO EL CONTENIDO

⚠ ADVERTENCIA

La sierra de mesa es una máquina pesada. Se requieren dos personas para desempaquetarla y levantar la sierra de mesa.

Esta sierra de mesa requerirá cierta cantidad de ensamblado. Esta sierra de mesa se envía en dos cajas individuales, una para la sierra y otra para la guía. La caja de la sierra también incluye una caja de piezas para la sierra.

1. Remueva las piezas de todas las cajas y colóquelas sobre una superficie de trabajo limpia.
2. Se requieren dos o más personas para levantar la sierra de mesa de la paleta de embarque.
3. Remueva cualquier material y revestimiento protector de todas las piezas y de la sierra de mesa. El revestimiento de las piezas puede quitarse con rociar WD-40 sobre ellas y limpiándolas con un paño suave. Podrá ser necesario repetir este proceso varias veces antes de poder quitar todo el revestimiento protector.

PRECAUCIÓN: No utilice acetona, gasolina ni diluyente de laca para quitar ningún revestimiento protector de su sierra de mesa.

4. Tras la limpieza, aplique una cera en pasta de Buena calidad sobre cualquier superficie sin pintar. Asegúrese de pulir la cera antes del montaje.
5. Compare los artículos con las figuras que aparecen abajo. Verifique que todos los artículos estén presentes antes de desechar la caja de envío. Si faltan piezas, llame a la Línea de Ayuda al Cliente al 1-800-897-7709.

⚠ ADVERTENCIA

El ala de extensión derecha debe estar plenamente ensamblado y la cubierta del motor debe estar cerrada y afianzada antes de que se conecte la sierra de mesa a la fuente de energía.

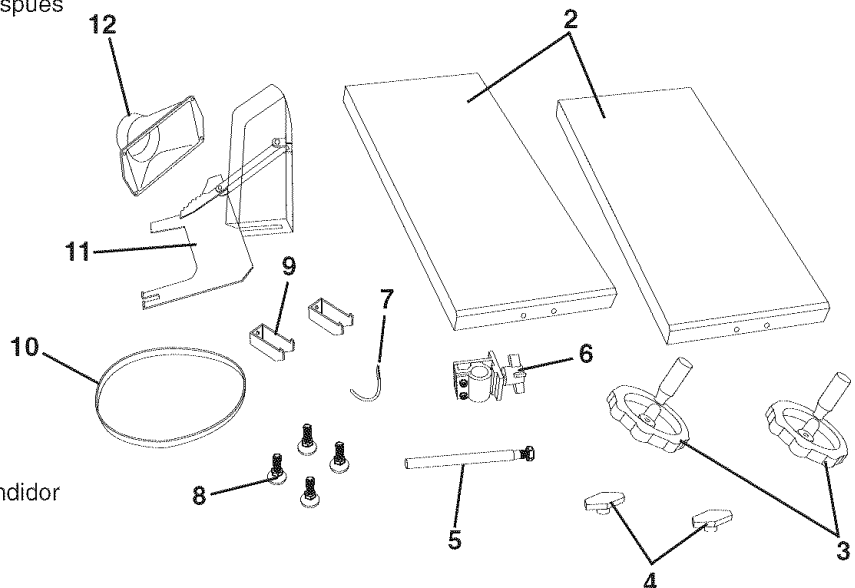
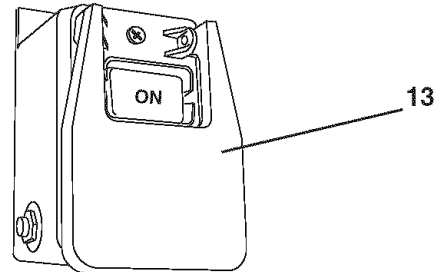
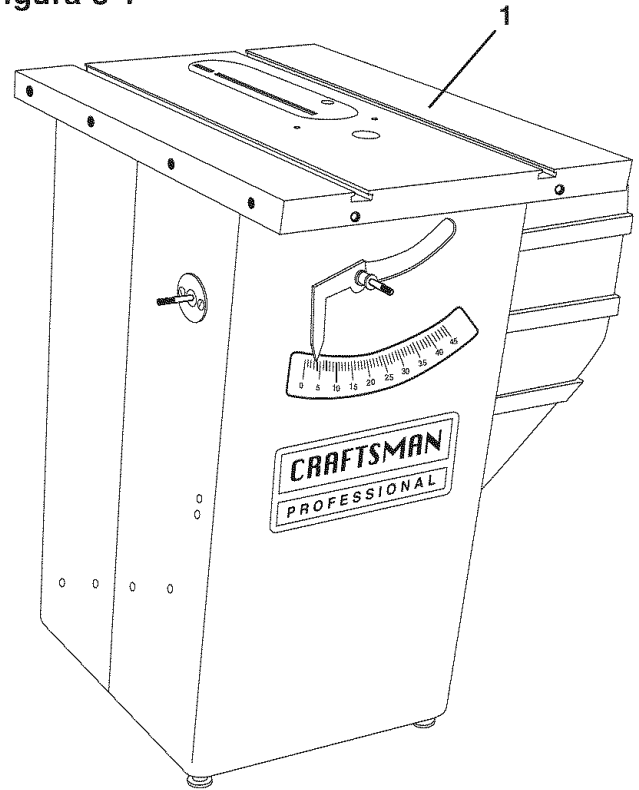
⚠ ADVERTENCIA

Si llegara a faltar cualquier pieza, no intente enchufar el cordón de potencia y encender la sierra de mesa. La sierra de mesa sólo podrá encenderse después de que se hayan obtenido todas las piezas y estas hayan sido instaladas correctamente.

SIERRA DE MESA

1. Ensamblado de la sierra de mesa
2. Ala de extensión (2)
3. Volante de mano (2)
4. Perilla de cierre del volante de mano (2)
5. Vara de montaje del hendidor
6. Ensamblado del soporte del hendidor
7. Gancho de la llave
8. Pie nivelador (4)
9. Gancho de la guía (2)
10. Correa Poly-V
11. Ensamblado de protector de la hoja y hendidor
12. Puerto de polvo
13. Interruptor
14. Hoja de la sierra (no ilustrada)

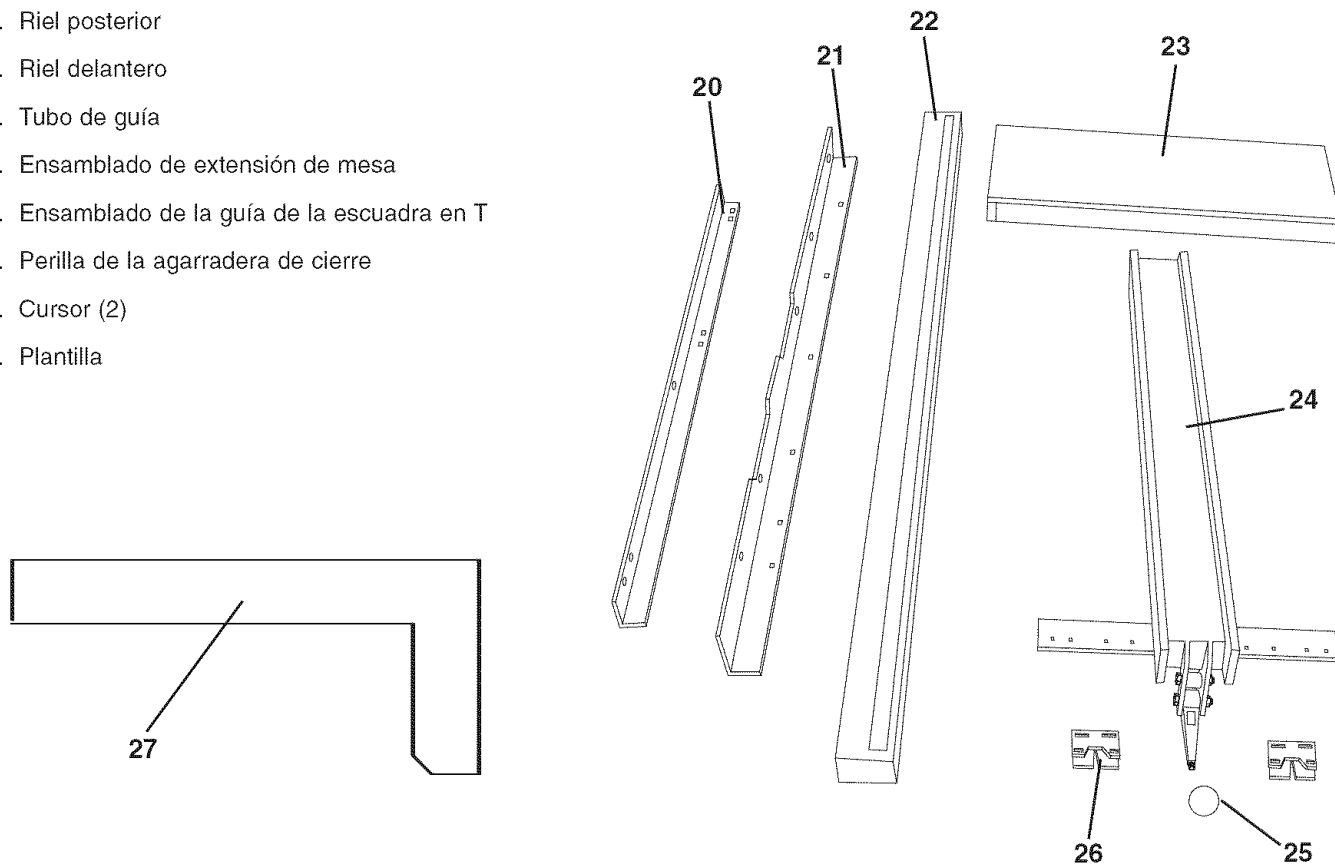
Figura 3-1



GUÍA

Figura. 3-2

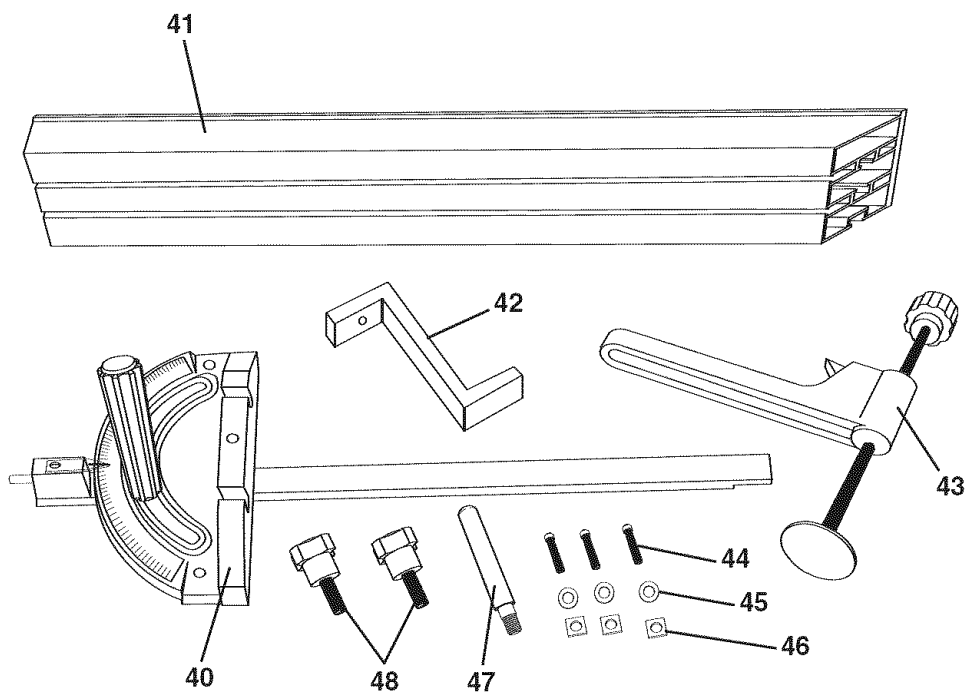
- 20. Riel posterior
- 21. Riel delantero
- 22. Tubo de guía
- 23. Ensamblado de extensión de mesa
- 24. Ensamblado de la guía de la escuadra en T
- 25. Perilla de la agarradera de cierre
- 26. Cursor (2)
- 27. Plantilla



ESCUADRA DE INGLETES

Figura 3-3

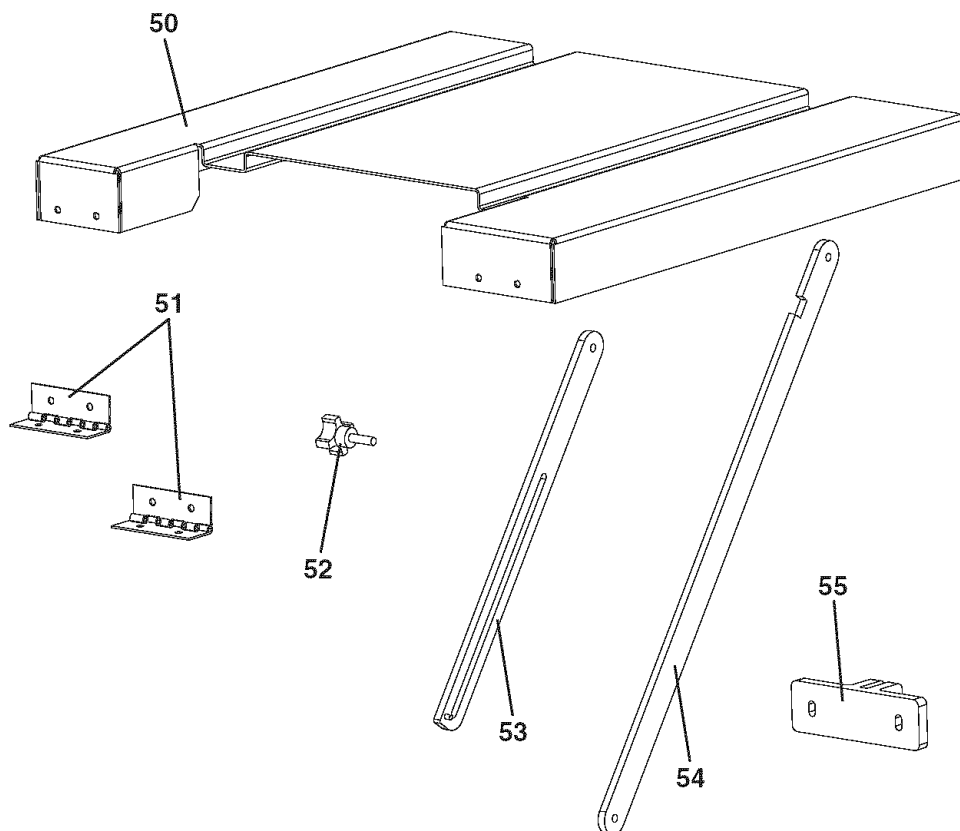
- 40. Escuadra de ingletes
- 41. Guía de corte transversal
- 42. Tope de profundidad
- 43. Ensamblado de abrazadera
- 44. Tornillo de cabeza hueca M5 x 20 mm (3)
- 45. Arandela plana M5 (3)
- 46. Tuerca cuadrada M5 (3)
- 47. Varilla elevadora
- 48. Perilla (2)



MESA DE AVANCE DE SALIDA

Figura. 3-4

- 50. Ensamblado de la mesa de avance de salida
- 51. Ensamblado de bisagras (2)
- 52. Perilla de abrazadera
- 53. Ensamblado de soporte superior
- 54. Soporte inferior
- 55. Retén del soporte



Los estuches de ferretería no están identificados ni etiquetados. Consulte el diagrama de ferretería para ayudar a localizar la pieza correcta. Ver figura 3-5.

- **Estuche de Ferretería para Rieles de Guía Biesemeyer (#OR91669)**

Incluye (ferretería con acabado de Zinc):

- Arandela Plana M8 (2)
- Arandela Plana 5/16 pulg. (9)
- Arandela de Cierre M8 (2)
- Arandela de Cierre 5/16 pulg. (9)
- Arandela de Cierre 1/4 pulg. (6)
- Tornillo de Cabeza Plana 5/16-18 x 2 pulg. (6)
- Tornillo de Cabeza Hex M8 x 25 mm (2)
- Tornillo de Cabeza Hex 5/16-18 x 1-1/2 pulg. (3)
- Tornillo de Cabeza Hex 1/4-20 x 1/2 pulg. (4)
- Tornillo de Cabeza Hex 1/4-20 x 3/4 pulg. (2)
- Tornillo Hex 5/16-18 (9)

- **Estuche de Ferretería para Guía Biesemeyer (#OR91666)**

Incluye (ferretería con acabado de Zinc):

- Arandela Plana #10 (4)
- Tornillo de Cabeza Redonda 10-32 x 3/8" (4)
- Perilla (Negra) (no ilustrado)
- Cursor (no ilustrado) (2)

- **Estuche de Ferretería para Alas de Extensión (#OR92013) Incluye (ferretería con acabado de Oxido Negro):**

- Arandela Plana M8 (8)
- Arandela de Cierre M8 (8)
- Tornillo de Cabeza Hex M8 x 1.25 x 30 mm (8)

- **Estuche de Ferretería para Mesa de Avance de Salida (#OR92015) Incluye (ferretería con acabado de Oxido Negro):**

- Perilla de Abrazadera
- Arandela Plana M5 (16)
- Arandela Plana M6 (2)
- Arandela de Cierre M5 (8)
- Arandela de Cierre M6 (2)
- Tornillo de Cabeza Hex M5 x 16 mm (8)
- Tornillo de Cabeza Hex M6 x 25 mm (2)
- Tornillo de Cabeza Hex 6 x 35 mm (2)
- Tuerca Hex M5 (8)
- Tuerca Hex M6, Nylok (2)

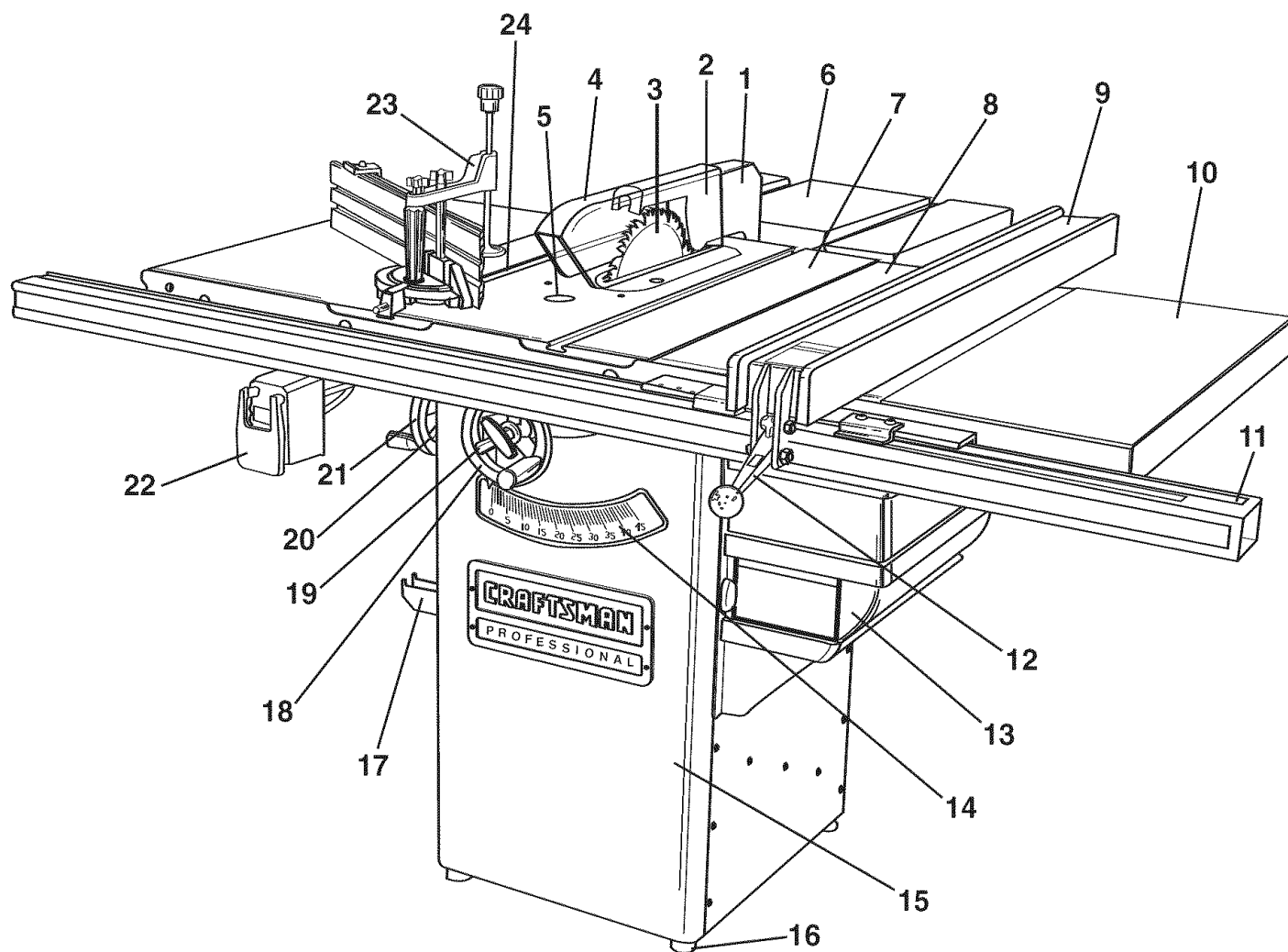
- **Ferretería Varía (ferretería con acabado de Oxido Negro):**

- Tornillo de Chapa Metálica M4 x 8 mm (6)
- Tornillo de Chapa Metálica 1/4-20 x 3/8 pulg. (4)

Fig. 3-5



CONOZCA SU SIERRA DE MESA



- | | |
|---|--|
| 1. Ensamblado del hendidor | 13. Cubierta del motor |
| 2. Dedos anticontragolpe | 14. Escuadra de biselado |
| 3. Hoja | 15. Gabinete completo |
| 4. Protector de hoja | 16. Pie nivelador |
| 5. Pieza inserta de alineamiento de corte | 17. Soporte de sujeción de la guía de corte a lo largo |
| 6. Mesa posterior de avance de salida | 18. Volante de altura de hoja |
| 7. Superficie de la mesa | 19. Cierre del volante de mano |
| 8. Ala de hierro fundido de 12 pulg. | 20. Volante de altura de biselado |
| 9. Guía comercial Biesemeyer en escuadra de "T" | 21. Cierre del volante de biselado |
| 10. Accesorio de mesa de extensión Biesemeyer | 22. Interruptor de encendido/apagado |
| 11. Riel delantero con escala | 23. Escuadra de ingletes de lujo |
| 12. Agarradera de la guía de corte a lo largo | 24. Ranura de la escuadra de ingletes |

INSTRUCCIONES DE MONTAJE

HERRAMIENTAS REQUERIDAS

Se requieren las siguientes herramientas para el montaje y el alineamiento. Aviso: Se suministran dos llaves de hoja y cinco llaves hexagonales con su sierra de mesa. Las herramientas restantes son herramientas típicas de taller y no se incluyen con su sierra de mesa.

Llave de 18 mm	Llave hexagonal de 3/16 pulg.
Llave de 13 mm	Destornillador Phillips #2
Llave de 10 mm	Destornillador Phillips #3
Llave de 8 mm	Abrazadera de tubos
Llave de 1/2 pulg.	Abrazadera en "C" (2)
Llave de 7/16 pulg.	Taladradora con broca de 5/16 pulg.

⚠ ADVERTENCIA

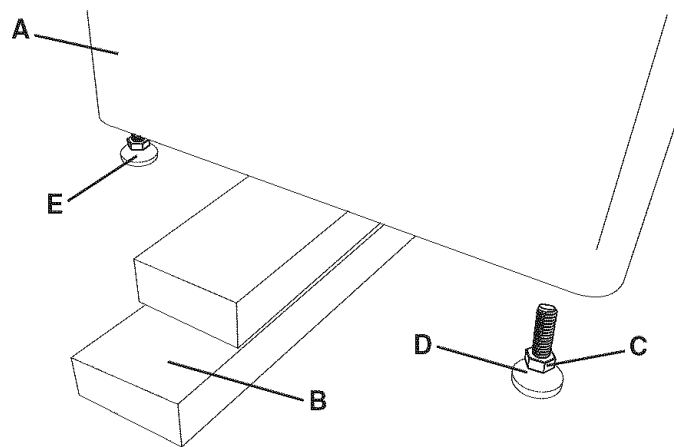
- La sierra de mesa es una máquina pesada. Podrán requerirse dos personas para ciertas operaciones de montaje.
- **NO** monte la sierra de mesa hasta que esté seguro que la herramienta esté desenchufada.
- **NO** monte la sierra de mesa hasta que esté seguro que el interruptor de energía esté en la posición de "apagado" (OFF).
- Para su seguridad personal, **NO** conecte la máquina a la fuente de energía hasta que la máquina se encuentre completamente montada y haya leído y entendido este Manual del Operario cabalmente.

MONTAJE DE LOS PIES NIVELADORES

⚠ ADVERTENCIA

ASEGÚRESE de que la sierra de mesa esté desconectada de la fuente de energía.

Figura 4-1



AVISO: Si va a afianzar su sierra de mesa al suelo permanentemente, **NO ENSAMBLE** las patas niveladoras y prosiga al siguiente paso.

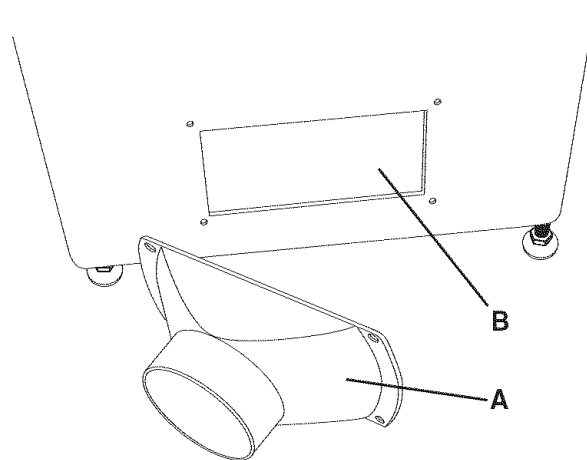
1. Con dos personas, incline el frente de la sierra de mesa (A) hacia atrás y bloquee la sierra de mesa en esta posición usando dos bloques pequeños de madera descartada de 2 x 4 horizontalmente (B). **PRECAUCIÓN:** La sierra de mesa es pesada. Se requieren dos personas para esta operación. Asegúrese de que la sierra de mesa esté bien apoyada antes de continuar. Ver la figura 4-1.
2. Asegúrese de que haya una tuerca hexagonal M8 rosca completamente hasta el fondo sobre cada uno de los cuatro pies niveladores (D). Ver la figura 4-1.
3. Enrosque un pie nivelador con la tuerca hexagonal al fondo de ambas esquinas delanteras del gabinete (E). Ver la figura 4-1.
4. Retire los bloques de madera descartada de 2 x 4 desde por debajo de la sierra de mesa y colóquelos debajo de la parte posterior de la sierra. Repita estos pasos para conectar los dos pies niveladores a las esquinas posteriores del gabinete.

MONTAJE DEL PUERTO DE POLVO

⚠ ADVERTENCIA

ASEGÚRESE de que la sierra de mesa esté desconectada de la fuente de energía.

Figura 5-1



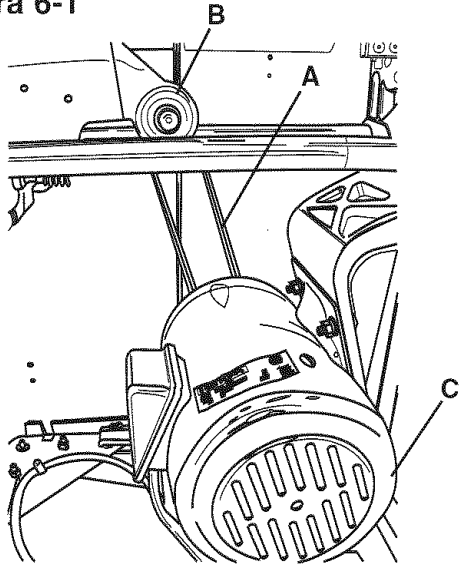
1. Conecte el puerto de polvo (A) a la abertura (B) en la parte posterior inferior del gabinete usando cuatro tornillos roscadores de cabeza redonda 1/4-20 x 3/8 pulg., no ilustrados aquí. Consulte la figura 5-1.

MONTAJE DE LA CORREA POLY-V

⚠ ADVERTENCIA

ASEGÚRESE de que la sierra de mesa esté desconectada de la fuente de energía.

Figura 6-1



1. Asegúrese de que todo el material de embalaje haya sido removido del interior del gabinete.
2. Abra la cubierta del motor y coloque la correa Poly-V (A) del motor sobre la polea de la hoja (B). Ver la figura 6-1
3. Levante el motor (C) cuidadosamente y coloque la correa debajo de la polea del motor (no ilustrada). Asegúrese de que las muescas en "V" en la correa coincidan con las muescas en "V" de la polea de la hoja y el motor. Ver figura 6-1.
4. Baje el motor cuidadosamente y cierre la cubierta del motor.

MONTAJE DE LAS ALAS DE EXTENSIÓN

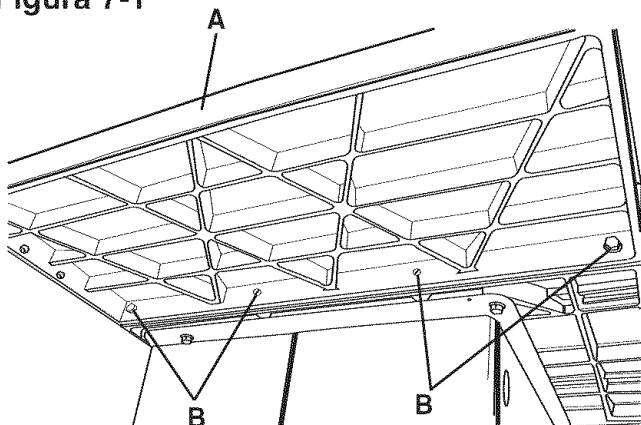
⚠ ADVERTENCIA

ASEGÚRESE de que la sierra de mesa esté desconectada de la fuente de energía.

⚠ ADVERTENCIA

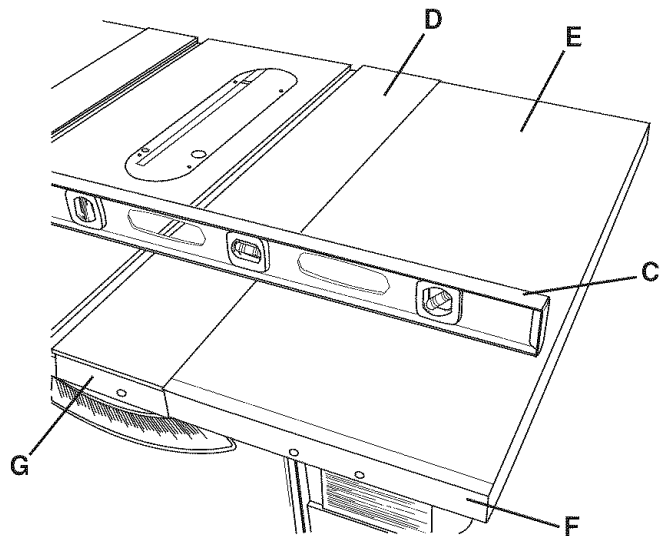
El ala de extensión derecho debe estar plenamente ensamblado y la cubierta del motor debe estar cerrada y afianzada antes de que se conecte la sierra de mesa a la fuente de energía.

Figura 7-1



1. **PRECAUCIÓN:** Las alas de extensión son pesadas. Se requieren dos personas para ensamblar ambas alas de extensión a la sierra de mesa.
2. Monte una de las alas de extensión (A) al lado izquierdo de la sierra de mesa. Los cuatro agujeros (B) en el ala de extensión deben ser alineados con los cuatro agujeros en el lado izquierdo de la sierra de mesa. Utilice cuatro tornillos de cabeza hexagonal M8 x 30 mm, arandelas de cierre M8 y arandelas planas M8. No apriete el herramienta completamente en este momento. Ver la figura 7-1.

Figura 7-2



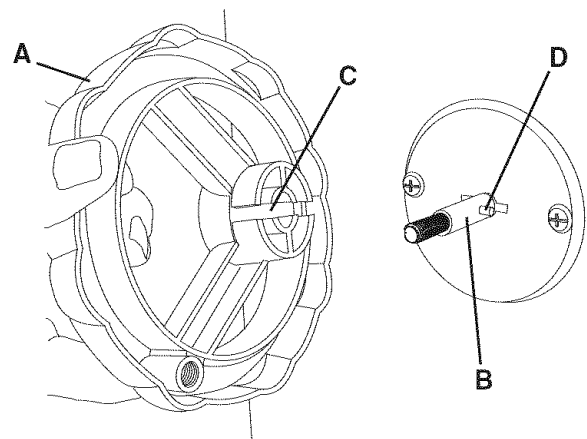
3. Coloque una regla (C) a lo ancho de la mesa de la sierra (D) y el ala de extensión (E). Asegúrese de que la cara frontal del ala de extensión (F) esté plana con el frente de la mesa de la sierra (G). Ajuste el ala de extensión de tal manera que su superficie superior se encuentre perfectamente plana con la mesa de la sierra. Apriete la ferretería de manera segura. Ver la figura 7-2.
4. Repita los pasos 2 y 3 arriba para montar la otra extensión al lado derecho de la sierra.

MONTAJE DEL VOLANTE DE MANO

⚠ ADVERTENCIA

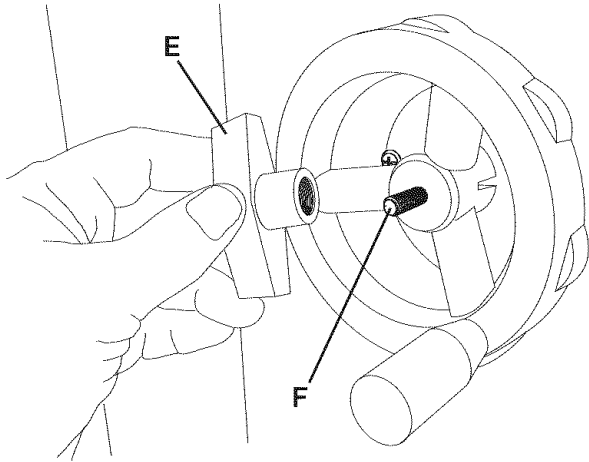
ASEGÚRESE de que la sierra de mesa esté desconectada de la fuente de energía.

Figura 8-1



1. Coloque uno de los volantes de mano (A) sobre el eje biselado (B) localizado en el lado del gabinete. La ranura (C) en el dorso del volante debe alinearse con el pasador (D). Ver la figura 8-1.

Figura 8-2



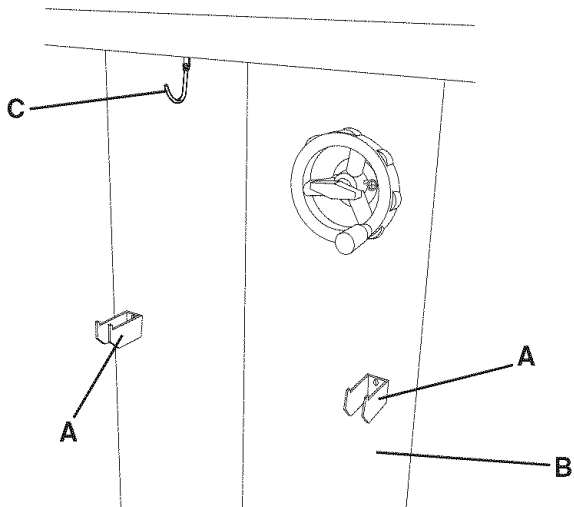
2. Enrosque la perilla de cierre (E) sobre el extremo roscado del eje (F). Ver la figura 8-2.
3. Repita los pasos anteriores para montar el volante restante y la perilla de cierre sobre el eje de elevación y bajada de la hoja, localizado al frente del gabinete.

MONTAJE DE LA LLAVE Y GANCHO DE GUÍA

⚠️ ADVERTENCIA

ASEGÚRESE de que la sierra de mesa esté desconectada de la fuente de energía.

Figura 9-1



1. Monte ambos ganchos de guía (A) al lado izquierdo del gabinete (B) usando cuatro tornillos de rosca chapa M4 x 10 mm, no ilustrados. Ver la figura 9-1.
2. Monte el gancho de llave (C) sobre los ganchos de guía usando dos tornillos de rosca chapa M4 x 10 mm, no ilustrados. Ver la figura 9-1.

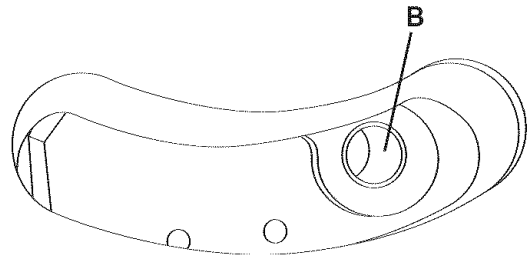
MONTAJE DEL PROTECTOR DE HOJAS Y HENDIDOR

⚠️ ADVERTENCIA

ASEGÚRESE de que la sierra de mesa esté desconectada de la fuente de energía.

1. Quite la pieza de inserción de mesa. Aviso: Quite el perno de retén de la pieza de inserción de mesa que se utiliza para afianzar la pieza a la mesa de la sierra.

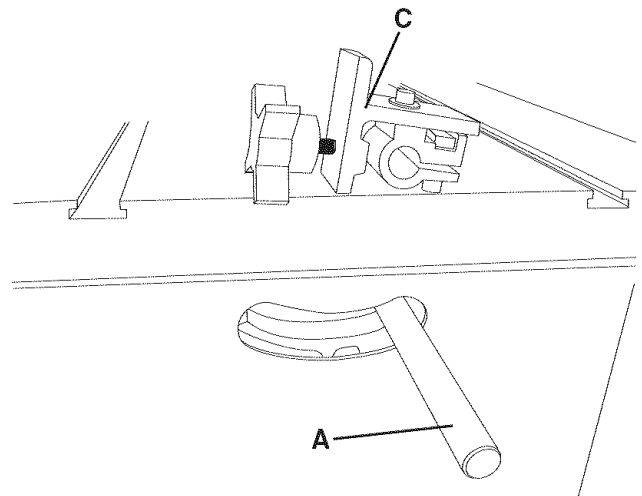
Figura 10-1



2. Coloque el extremo roscado de la vara de montaje del hendidor (A) a través del agujero (B) en la parte posterior del gabinete. Coloque una tuerca hexagonal M12 (no ilustrada) sobre el extremo roscado de la vara de montaje del hendidor dentro del gabinete y afícelo de manera segura. Ver las figuras 10-1 y 10-2.

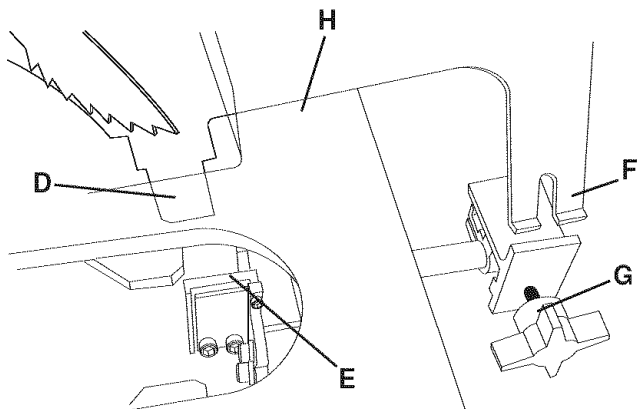
Aviso: Coloque una llave de 18 mm sobre la parte hexagonal y una llave de 13 mm sobre las partes planas de la vara del hendidor y apriételas.

Figura 10-2



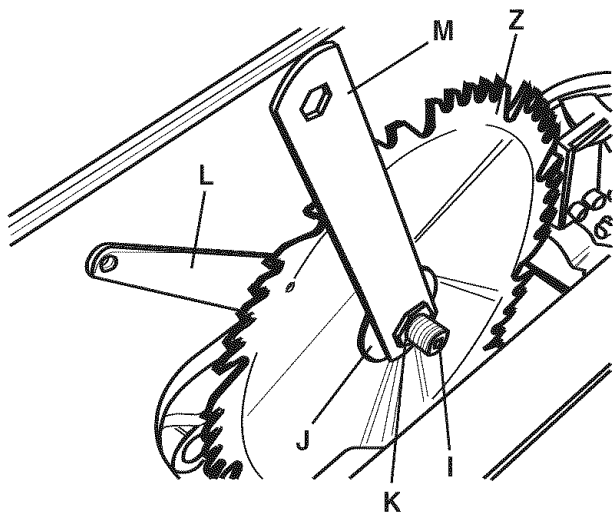
3. Coloque el ensamblado del soporte del hendidor (C) sobre la vara de montaje del hendidor. Ver las figuras 10-2 y 10-3.

Figura 10-3



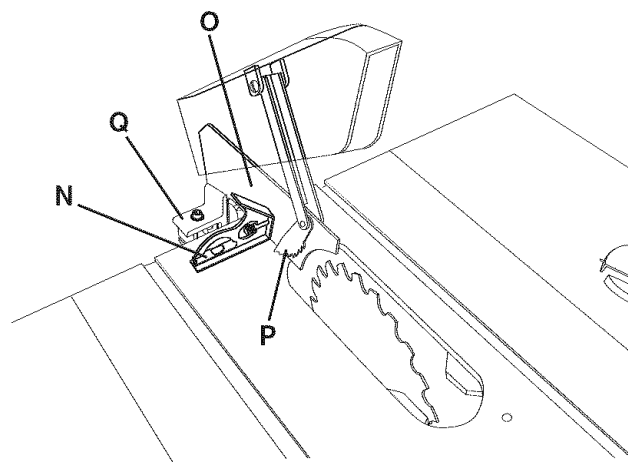
4. Coloque el punto de conexión delantero (D) del ensamblado de protector de hoja y de hendidor (H) sobre el punto de conexión delantero que carece de herramientas (E). Coloque la ranura de conexión trasera (F) sobre las roscas de la perilla del soporte del hendidor (G). Afiance la perilla del soporte del hendidor de manera segura. **Aviso:** Será necesario posicionar el ensamblado del soporte del hendidor de manera que se ajuste al ensamblado de protector de hoja y de hendidor por encima de la vara de montaje del hendidor. Ver la figura 10-3.
5. Quite la tuerca hexagonal (K) y la pestaña exterior (J) del árbol de la hoja (I). **Aviso:** El árbol está roscado a la derecha; para aflojar la tuerca hexagonal, gírela en sentido antihorario. Ver la figura 10-4.

Figura 10-4



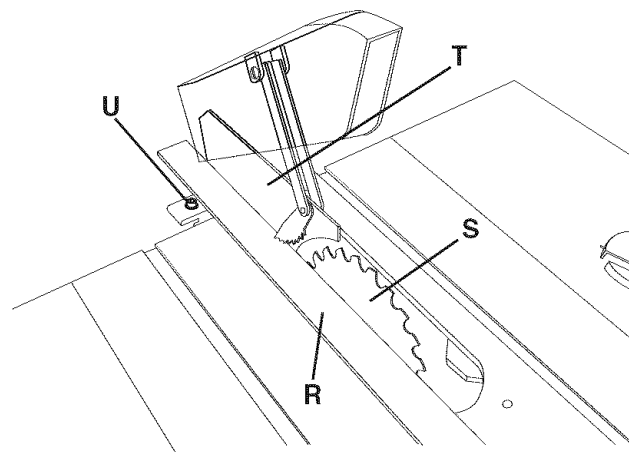
6. Coloque la hoja de sierra de 10 pulg. (Z) sobre el eje de la hoja (I); asegúrese de que los dientes de la hoja apunten hacia abajo al frente de la mesa de la sierra. Coloque la pestaña exterior (J) y la tuerca hexagonal (K) sobre el eje de la hoja y apriete la tuerca hexagonal manualmente. Coloque la llave de boca de la hoja (L) sobre las partes planas de la pestaña interior de la hoja (no ilustrada) y la llave de extremo de caja (M) de la hoja sobre la tuerca hexagonal, apretándolas seguramente. **Aviso:** El eje de la hoja tiene un roscado derecho; para afianzar la tuerca hexagonal, gírela en sentido horario. Ver la figura 10-4.

Figura 10-5



7. Coloque una escuadra (N) sobre la mesa de la sierra y contra el ensamblado del hendidor (O) detrás de los dedos anticontraGolpe (P). Realice ajustes al ensamblado del soporte del hendidor (Q) de tal manera que el hendidor quede cuadrado con la mesa de la sierra. Una vez cuadrado, afiance los dos tornillos de cabeza hueca hexagonal por debajo del ensamblado de soporte del hendidor. Ver la figura 10-5.

Figura 10-6



8. Coloque una regla (R) contra el lado izquierdo de la hoja de la sierra (S), alineando el hendidor (T) de tal manera que quede en línea recta con la hoja, y apretando el único tornillo de cabeza hueca hexagonal (U) en la parte superior del ensamblado de soporte del hendidor. Ver la figura 10-6.
9. Monte la pieza de inserción de la mesa y apriete el perno de retén de la pieza que fue quitada en el paso 1.
10. Si existe cualquier problema con la falta de cuadrado del soporte de conexión del hendidor delantero y la mesa de la sierra o el alineamiento de la hoja, consulte "ALINEAMIENTO DEL SOPORTE DEL HENDIDOR" en la sección de Operaciones y Ajustes de este manual.

BIESEMEYER®

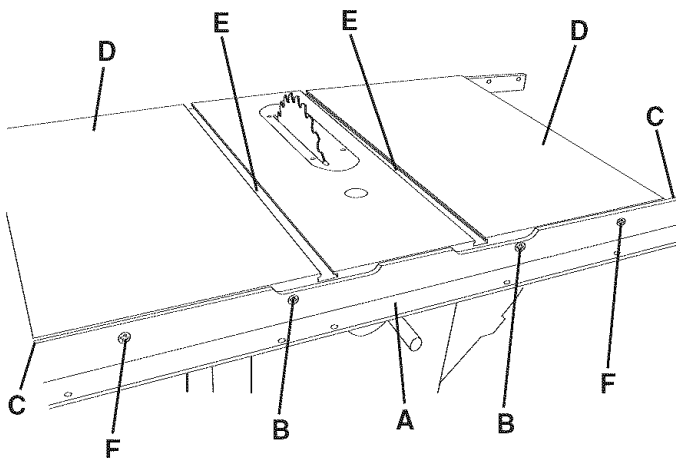
ENSAMBLADO DEL SISTEMA COMERCIAL DE GUÍA DE CORTE A LO LARGO EN ESCUADRA "T" DE BIESEMEYER

MONTAJE DE LOS RIELES DELANTERO Y TRASERO

⚠ ADVERTENCIA

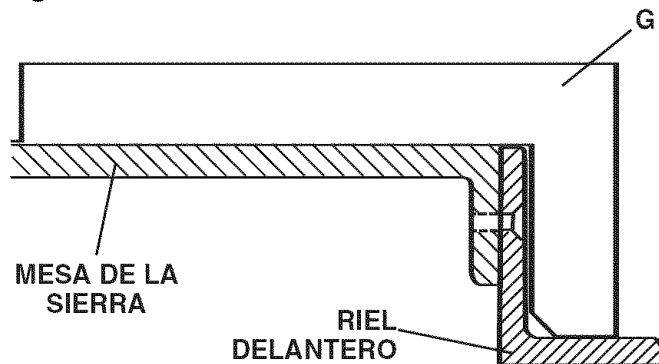
ASEGÚRESE de que la mesa esté desconectada de la fuente de energía.

Figura 11-1



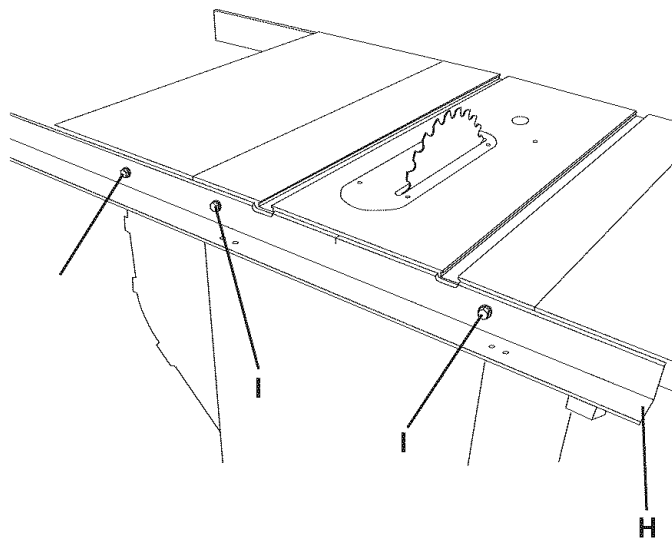
1. Posicione el riel delantero (A) contra el borde delantero de la mesa de la sierra. Alinee los dos agujeros en el riel delantero (B) con los dos agujeros en la mesa de la sierra y afiance el riel a la mesa, utilizando dos tornillos de cabeza plana de 5/16-18 x 2 pulg., arandelas planas de 5/16 pulg., arandelas de cierre de 5/16 pulg. y tuercas hexagonales de 5/16-18. No apriete la ferretería de montaje del todo en este momento. Ver figura 11-1.
2. Asegúrese de que el borde superior (C) del riel delantero esté por debajo de la parte superior de la mesa de la sierra (D) y que el riel delantero no esté bloqueando los extremos de las ranuras de la escuadra de ingletes (E).
3. Termine de ajustar el riel delantero a las alas de extensión con dos tornillos de cabeza plana de 5/16-18 x 2 pulg., arandelas planas de 5/16 pulg., arandelas de cierre de 5/16 pulg. y tuercas hexagonales de 5/16-18 a través de los dos agujeros (F) en las alas de extensión. No apriete la ferretería de montaje de todo en este momento. Ver la figura 11-1.

Figura 11-3



4. Usando la plantilla (G), revise y ajuste el riel delantero paralelo con la superficie de la mesa en ambos lados de la mesa de la sierra. Ver la figura 11-3.
5. Cuando esté seguro de que el riel delantero se encuentre exactamente paralelo con la superficie de la mesa, apriete toda la ferretería de montaje del riel delantero seguramente.

Figura 11-8



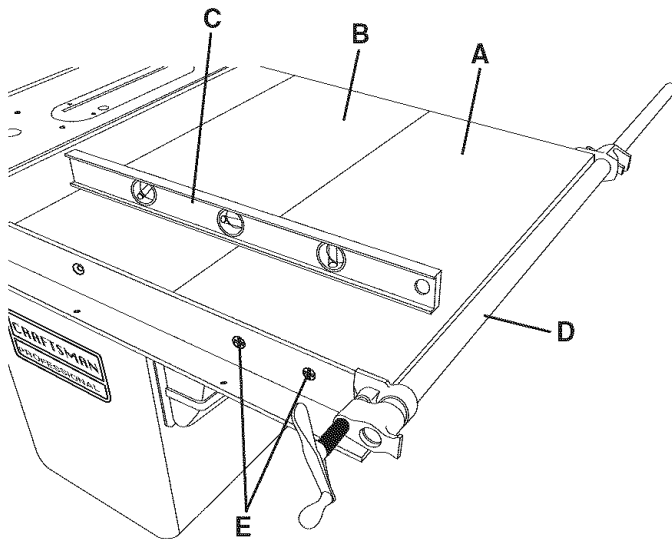
6. Posicione el riel trasero (H) contra el borde trasero de la mesa de la sierra. Alinee los dos agujeros (I) en el riel trasero con los dos agujeros en la mesa de la sierra, afianzando el riel a la mesa con dos tornillos de cabeza hexagonal M8 x 25 mm, arandelas de cierre M8 y arandelas planas M8. No apriete la ferretería de montaje completamente en este momento. Ver la figura 11-4.
7. Alinee el agujero en el riel trasero (J) con el agujero en el ala de extensión derecha, afianzando el riel con un tornillo de cabeza hexagonal 5/16-18 x 1-1/2 pulg., arandela plana de 5/16 pulg., arandela de cierre de 5/16 pulg. y tuerca hexagonal de 5/16-18. No apriete la ferretería de montaje completamente en este momento. Ver la figura 11-4.

IMPORTANTE: No utilice la plantilla suministrada para fijar el riel trasero.

- Asegúrese de que el borde superior del riel delantero esté por debajo de la parte superior de la mesa de la sierra y que el riel delantero no esté bloqueando los extremos de las ranuras de la escuadra de ingletes.
- Cuando esté seguro de que el riel trasero esté debidamente alineado y que se encuentre paralelo a la superficie de la mesa, afiance toda la ferretería de montaje del riel trasero seguramente.

MONTAJE DE LA EXTENSIÓN DE MESA BIESEMEYER

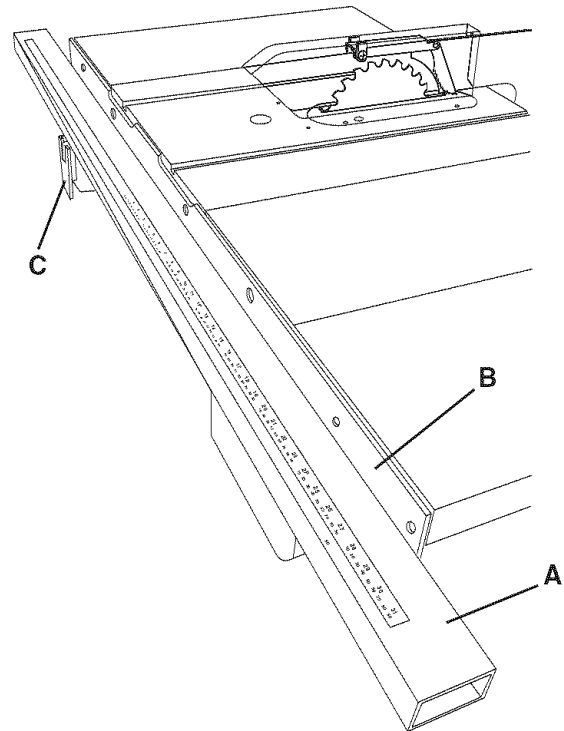
Figura 11-6



- Coloque el ensamblado de la mesa de extensión Biesemeyer (A) en posición entre los rieles delantero y trasero. Asegúrese de que el borde de la mesa de extensión esté parejo contra el lado derecho del ala de extensión (B). Usando una regla o nivel (C), asegúrese de que la mesa de extensión esté nivelada con la mesa de la sierra. Usando una abrazadera de tubos (no suministrada) (D) apriete los extremos de los rieles para mantener la mesa de extensión en su sitio. Podrá ser necesario juntar el ala de extensión (B) y la mesa de extensión (A) con abrazaderas. Utilice dos abrazaderas en "C" por debajo de la superficie de la mesa. Ver la figura 11-6.
- Perfore cuatro agujeros de 5/16 pulg. (E) a través del ensamblado de la mesa de extensión, usando los agujeros existentes en los rieles delantero y traseros. Ver la figura 11-6.
- Después de haber taladrado los agujeros, afiance el riel delantero a la mesa de extensión haciendo uso de dos tornillos de cabeza plana 5/16-18 x 1-1/2 pulg., arandelas planas de 5/16 pulg., arandelas de cierre de 5/16 pulg. y tuercas hexagonales de 5/16-18. Afiance el riel trasero a la mesa de extensión, haciendo uso de dos tornillos de cabeza hexagonal 5/16-18 x 1-1/2 pulg., arandelas planas de 5/16 pulg., arandelas de cierre de 5/16 pulg. y tuercas hexagonales de 5/16-18. Asegúrese de que la mesa de extensión permanezca nivelada con la mesa de la sierra antes de afianzar la ferretería seguramente. Quite todas las abrazaderas.

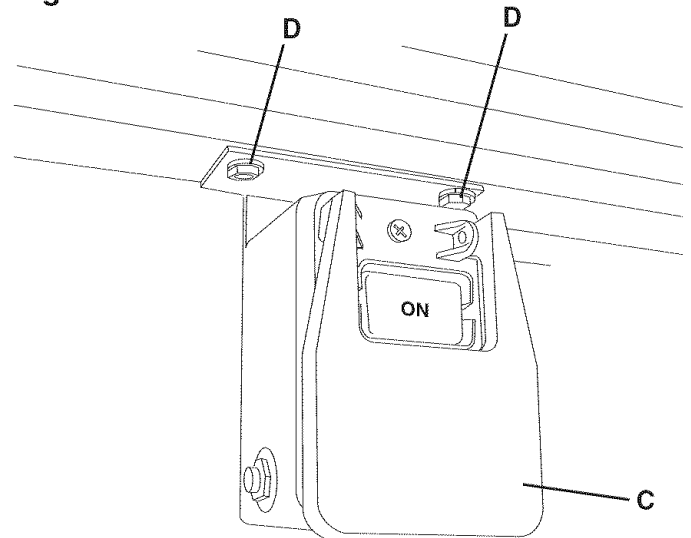
ENSAMBLADO DEL TUBO DE GUÍA Y CONMUTADOR

Figura 11-7



- Alinee los cuatro agujeros roscados en el fondo del tubo de guía (A) con los cuatro agujeros en el lado derecho del riel delantero (B). Afiance el tubo de guía al riel delantero con cuatro tornillos de cabeza hexagonal de 1/4-20 x 1/2 pulg. y arandelas de cierre de 1/4 pulg. No apriete los tornillos en este momento. Ver la figura 11-7.

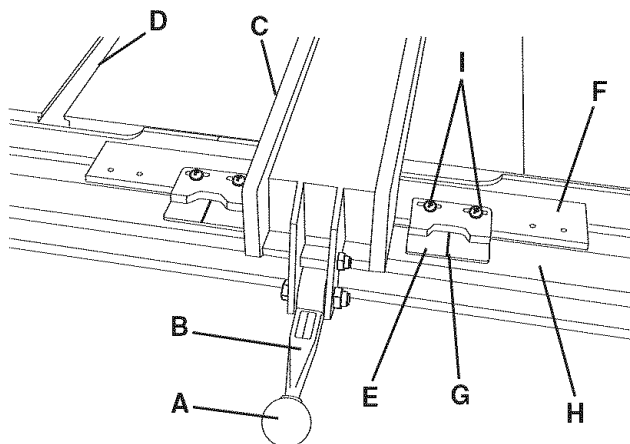
Figura 11-8



- Conecte el conmutador (C) a los dos agujeros roscados (D) en el fondo a extrema izquierda del tubo de guía con dos tornillos de cabeza hexagonal de 1/4-20 x 3/4 pulg. y arandelas de cierre de 1/4 pulg. Ver la figura 11-8.
- Asegúrese de que el tubo de guía esté paralelo con el riel delantero antes de apretar toda la ferretería.

ENSAMBLADO DE LA PERILLA Y CURSOR

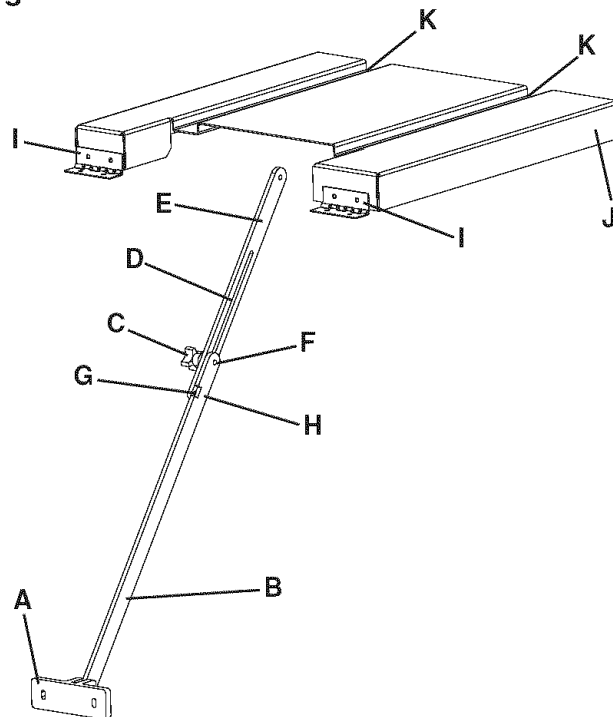
Figura 11-9



1. Enrosque la perilla (A) sobre la agarradera de cierre de la guía (B). Gire la perilla en sentido horario para atornillarla sobre las roscas de la agarradera de cierre de la guía. Ver la figura 11-9.
2. Alinee el lado izquierdo de la guía (C) a cierta distancia del lado derecho (D) de la ranura de la escuadra de ingletes derecha, enclavando la guía.
3. Use una cinta de medir para medir la distancia entre el lado derecho de la hoja de la sierra hasta el lado izquierdo de la guía.
4. Monte el cursor (E) al lado derecho de la cruceta de la guía (F) usando dos tornillos de cabeza redonda #10-32 x 3/8 pulg. y arandelas planas #10 (I). No apriete los tornillos completamente.
5. Alinee el cursor con la escala de medición del tubo de guía (H) de manera que la línea delgada negra (G) esté en el mismo número que la distancia medida en el Paso 3. Apriete los tornillos del cursor.
6. Remueva la guía de la mesa y repóngala sobre el lado izquierdo de la hoja de la sierra. Alinee el lado derecha de la guía a cierta distancia del lado izquierdo de la ranura de la escuadra de ingletes izquierda y enclave la guía.
7. Utilice una cinta de medir para medir la distancia entre el lado izquierdo de la hoja de la sierra hasta el lado derecho de la guía.
8. Monte el segundo cursor al lado izquierdo de la cruceta de la guía usando dos tornillos de cabeza redonda #10-32 x 3/8 pulg. y arandelas planas #10. No apriete los tornillos completamente.
9. Alinee el cursor con la escala de medición del tubo de guía de manera que la línea delgada negra esté en el mismo número que la distancia medida en el Paso 7. Apriete los tornillos del cursor.

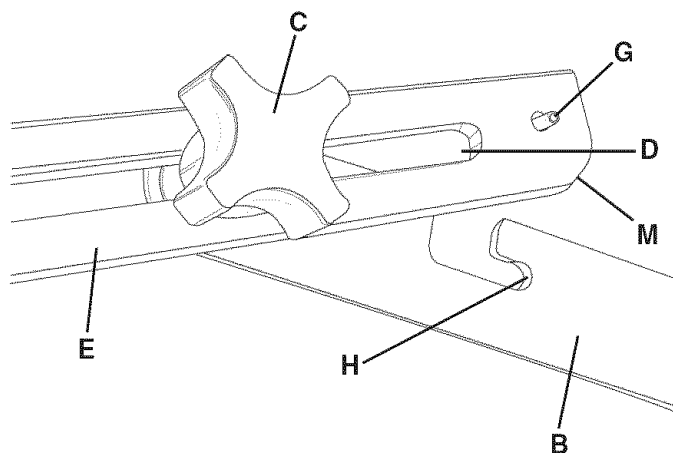
ENSAMBLADO DE LA MESA DE AVANCE DE SALIDA

Figura 11-10



1. Conecte el retén de soporte (A) al extremo trasero inferior del gabinete usando dos tornillos de cabeza hexagonal M6 x 25 mm, arandelas de cierre M6 y arandelas planas M6. No apriete la ferretería completamente. Ver la figura 11-10.
2. Monte el soporte inferior (B) al retén de soporte con un tornillo de cabeza hexagonal M6 x 35 mm y una tuerca hexagonal Nylok M6. Asegúrese de que la muesca (H) en el soporte inferior apunte hacia arriba. No apriete la tuerca hexagonal completamente. Permita que el soporte inferior se mueva libremente. Ver las figuras 11-10 y 11-11.

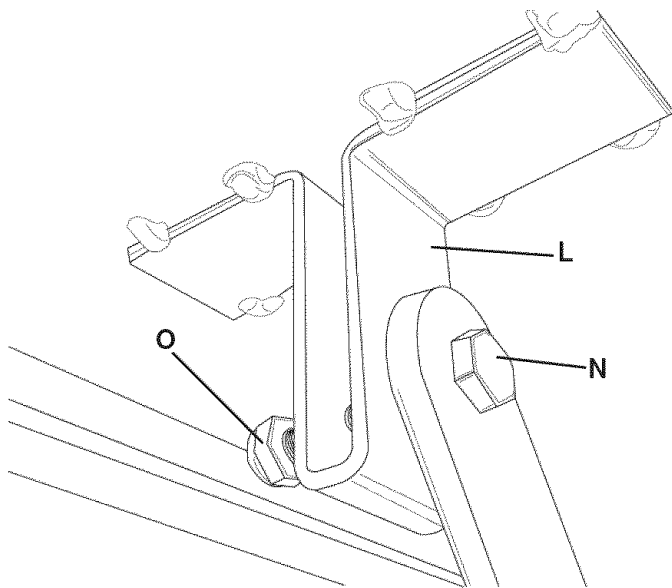
Figura 11-11



3. Coloque la perilla de abrazadera (C) a través de la ranura (D) del ensamblado de soporte superior (E), asegurando que la esquina redondeada (M) del soporte superior apunte hacia la muesca (H) del soporte inferior. Enrosque la perilla de abrazadera dentro del agujero roscado del soporte inferior.

4. Desdoble los brazos de soporte inferior y superior hasta dejarlos rectos, de manera que el pasador (G) en el soporte superior pueda insertarse en la muesca (H) del soporte inferior, y afiance la perilla de abrazadera seguramente.
5. Monte ambos ensamblados de bisagra (I) al ensamblado de la mesa de avance de salida (J) con cuatro tornillos de cabeza hexagonal M5 x 16 mm, arandelas de cierre M5 y arandelas planas M5. Afiance los tornillos hexagonales con cuatro arandelas planas M5 y tuercas hexagonales M5 colocadas por debajo de la mesa de avance de salida. No apriete la ferretería completamente.
6. Monte las bisagras en la mesa de avance de salida a la parte superior del riel trasero a través de los agujeros existentes, usando para ello cuatro tornillos de cabeza hexagonal M5 x 16 mm, arandelas de cierre M5 y arandelas planas M5. Afiance los tornillos de cabeza hexagonal con cuatro arandelas planas M5 y tuercas hexagonales M5 colocadas por debajo del riel trasero. No apriete la ferretería completamente.

Figura 11-12



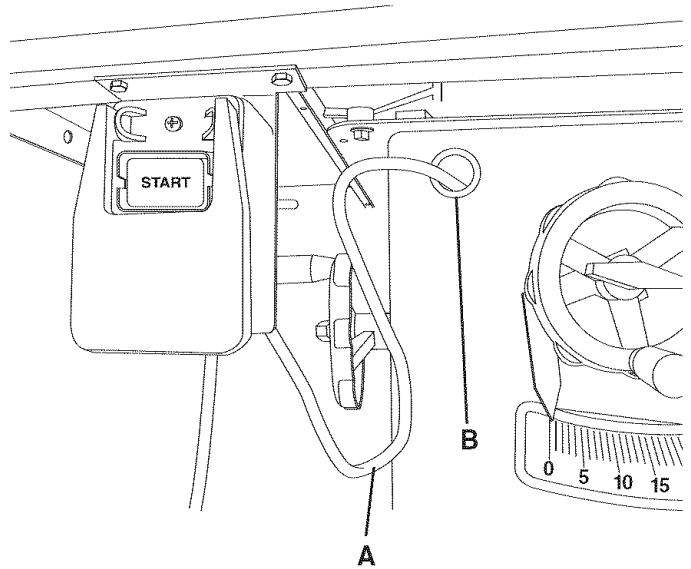
7. Conecte el ensamblado de soporte superior a la orejeta (L) debajo de la mesa de avance de salida usando una tuerca de cabeza hexagonal M6 x 35 (N) y una tuerca hexagonal M6 Nylok (O). No apriete la tuerca hexagonal completamente. Permita que el soporte superior se mueva libremente. Ver figura 11-12.
8. Apriete la ferretería conectando las bisagras tanto al riel trasero como a la mesa de avance de salida.
9. Asegúrese de que las ranuras de espacio libre de la escuadra de ingletes (K) en la mesa de avance de salida estén alineadas con las ranuras de la escuadra de ingletes de la sierra de mesa. Coloque una regla sobre la mesa de la sierra en saliente sobre la mesa de avance de salida. Asegúrese de que la mesa de avance de salida esté nivelada o ligeramente por debajo de la mesa de la sierra. Afiance seguramente la ferretería conectando el retén de soporte al gabinete.

CONECTANDO EL CORDÓN DEL INTERRUPTOR AL CORDÓN DEL MOTOR

⚠ ADVERTENCIA

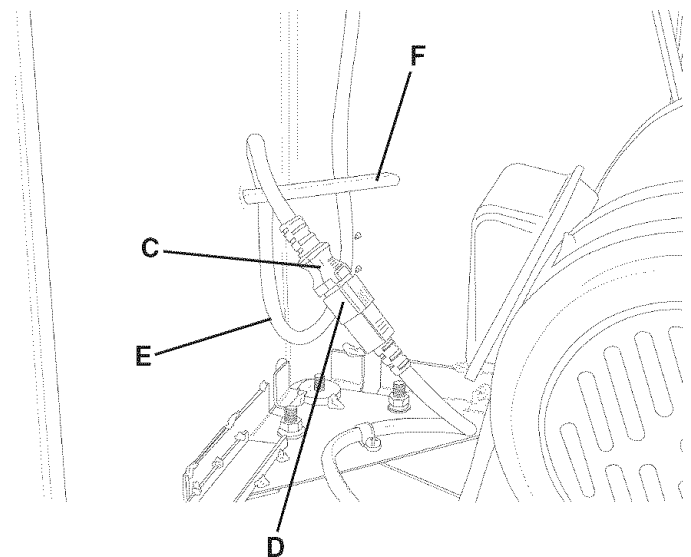
ASEGÚRESE de que la sierra de mesa esté desconectada de la fuente de energía.

Figura 12-1



1. Pase el cordón del interruptor (A) a través del agujero (B) al frente del gabinete. Ver la figura 12-1.
2. Abra la cubierta del motor, enchufe el cordón del interruptor (C) al cordón del motor (D). Ver figura 12-2.
3. Recoja cualquier huelgo en el cordón del interruptor desde el interior del gabinete.

Figura 12-2



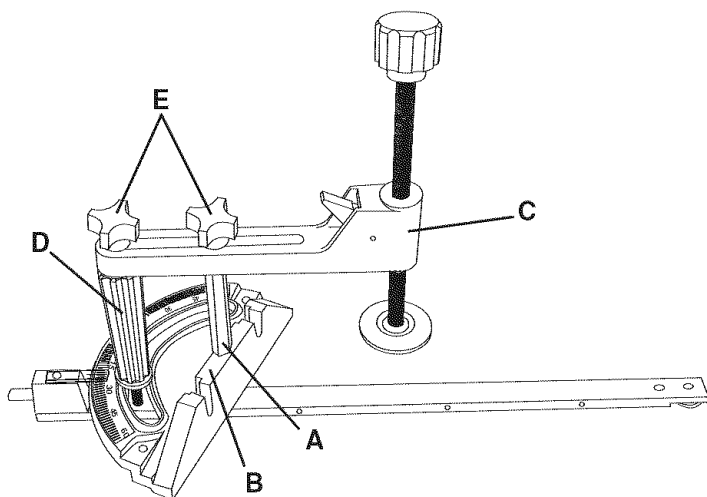
4. Haga un lazo (E) desde la holgura del cordón interruptor y colóquelo detrás de la barra de retén del cordón (F). Ver figura 12-2

MONTAJE DE LA ESCUADRA DE INGLETES

⚠ ADVERTENCIA

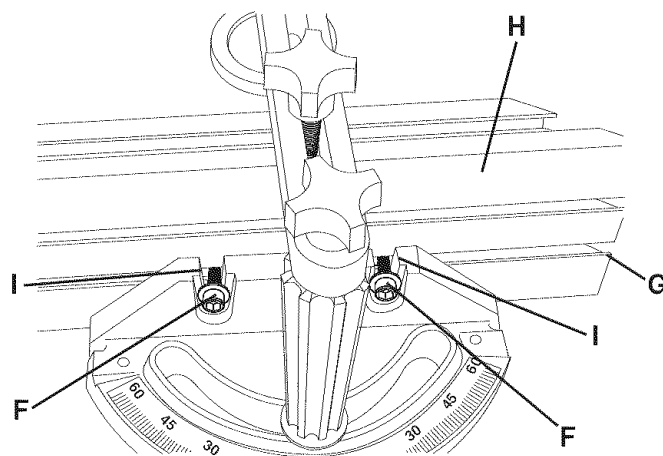
ASEGÚRESE de que la sierra de mesa esté desconectada de la fuente de energía.

Figura 13-1



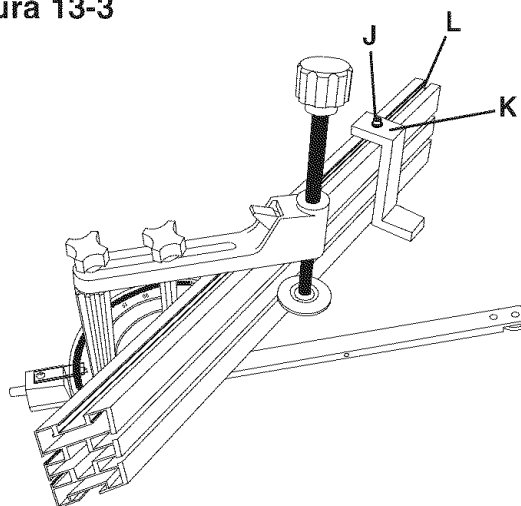
1. Enrosque la vara de elevación (A) en el agujero roscado superior del cuerpo de la escuadra de ingletes (B). Consulte la figura 13-1.
2. Coloque el ensamblado de abrazadera (C) sobre la perilla de la escuadra de ingletes (D) y la vara de elevación. Coloque dos perillas (E) a través de la ranura en el ensamblado de la abrazadera y enrosque una perilla en la perilla de la escuadra de ingletes y otra en la vara de elevación. Posicione el ensamblado de abrazadera según lo indicado y apriete ambas perillas. Ver la figura 13-1.
3. Coloque una arandela plana M5 sobre un tornillo de cabeza hueca hexagonal M5 x 20 mm. Enrosque una tuerca cuadrada M5 sobre el tornillo de cabeza hueca hexagonal hasta que el tornillo quede parejo con la parte trasera de la tuerca cuadrada. Repita este paso para una arandela plana, tornillo de cabeza hueca hexagonal y tuerca cuadrada adicionales.
4. Deslice ambas tuercas cuadradas con el tornillo de cabeza hueca hexagonal y arandela plana (F) hacia la ranura en "T" inferior (G) de la guía de corte transversal (H). Ver la figura 13-2.

Figura 13-2



5. Coloque la sección roscada de los tornillos de cabeza hueca hexagonal en las ranuras (I) del cuerpo de la escuadra de ingletes. Asegúrese de que las arandelas planas estén contra las cabezas de los tornillos de cabeza hueca hexagonal. Ver la figura 13-2.
6. Posicione la guía de corte transversal de tal manera que ninguna parte de la guía se encuentre en el trayecto de la hoja de la sierra. Permita que la guía de corte transversal descansa sobre la hoja de la sierra y apriete seguramente los dos tornillos de cabeza hueca hexagonal.
7. Coloque una arandela plana M5 sobre un tornillo de cabeza hueca hexagonal M5 x 20 mm (J). Coloque esto a través del agujero en la parte superior del tope de profundidad (K). Enrosque una tuerca cuadrada M5 sobre el tornillo de cabeza hueca hexagonal hasta que el tornillo quede parejo con la parte trasera de la tuerca cuadrada. Ver la figura 13-3.

Figura 13-3



8. Deslice la tuerca cuadrada y el tope de profundidad hacia la ranura en "T" superior (L) de la guía de corte transversal. Ver la figura 13-3.
9. Posicione el tope de profundidad según lo deseado y apriete el tornillo de cabeza hueca hexagonal.

Aviso: Los ganchos de almacenamiento para la guía de corte transversal se encuentran por debajo de la cubierta del motor.

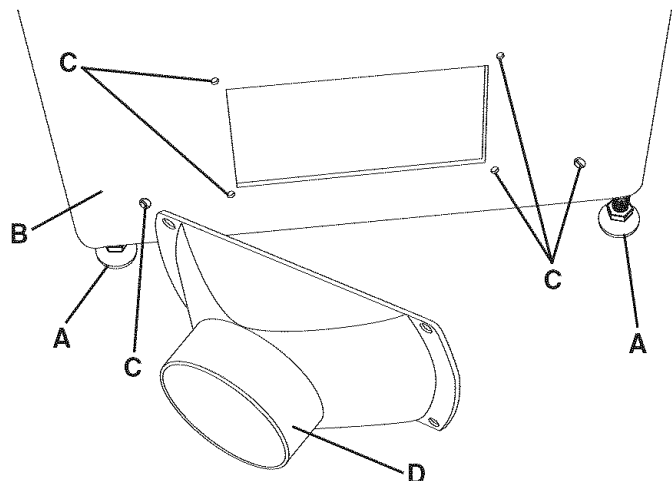
EMPERNANDO LA SIERRA DE MESA AL PISO

⚠️ ADVERTENCIA

ASEGÚRESE de que la sierra de mesa esté desconectada de la fuente de energía.

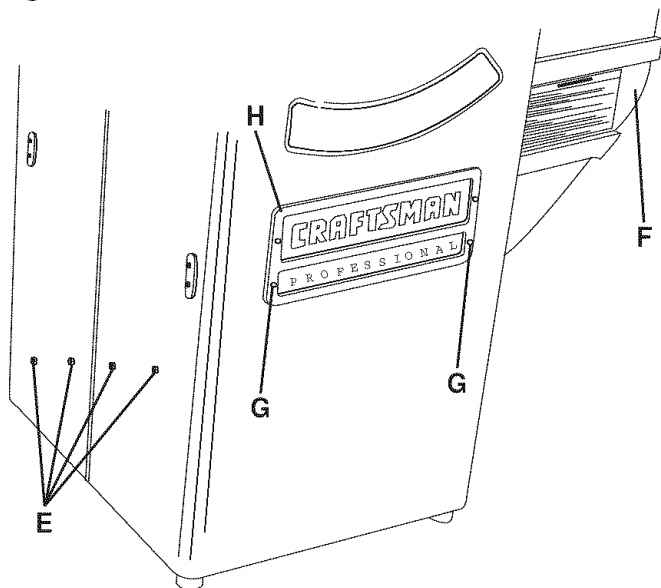
Si lo desea, la sierra de mesa puede montarse al piso de forma permanente. Para conectarla al piso, consulte las siguientes instrucciones:

Figura 13A-1



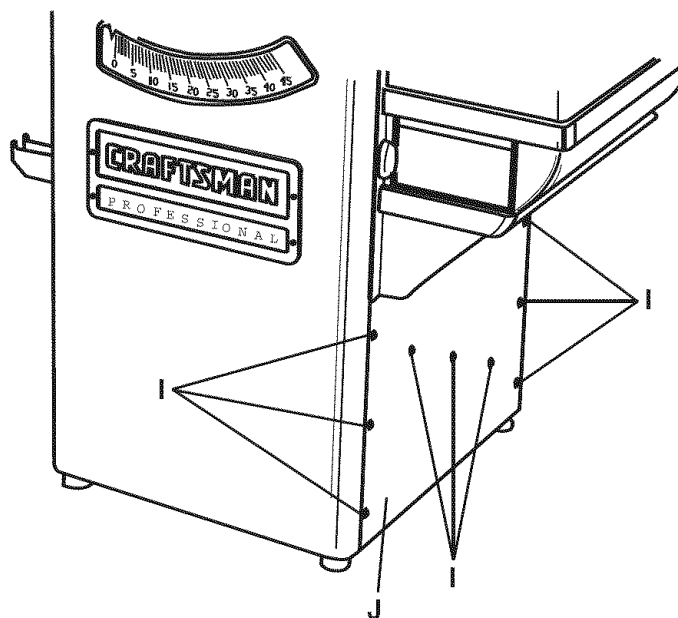
1. Quite las cuatro patas niveladoras (A) de la sierra de mesa (B). Ver Figura 13A-1.
2. Quite los seis tornillos de cabeza Phillips (C) y quite el surtidor de polvo (D) de la parte posterior del gabinete.

Figura 13A-2



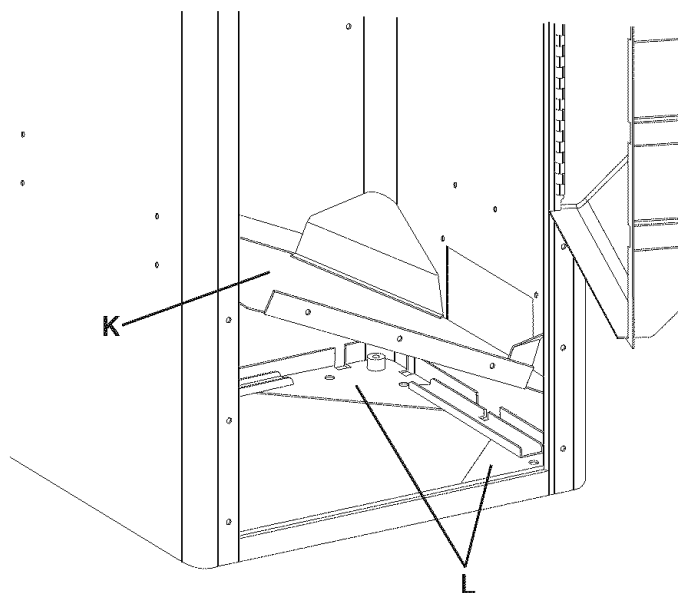
3. Quite los cuatro tornillos de cabeza Phillips (E) del lado izquierdo del gabinete. Ver figura 13A-2.
4. Abra la cubierta del motor (F) y quite los dos tornillos de cabeza Phillips (G) de la placa de notaciones CRAFTSMAN (H). AVISO: Estos dos tornillos de cabeza Phillips tienen tuercas hexagonales en el interior del gabinete.

Figura 13A-3



5. Quite los nueve tornillos de cabeza Phillips (I) del lado derecho del gabinete. Quite los dos ganchos de guía de la escuadra de ingletes y el panel lateral (J). Ver figura 13A-3.

Figura 13A-4



6. Abra la cubierta del motor y quite el conducto de polvo (K).
7. Coloque la sierra de mesa en donde desea montarla permanentemente.
8. Marque el piso a través de los agujeros en cuatro soportes inferiores de esquina (L).
9. Mueva la sierra de mesa a un lado y perforo agujeros piloto en los cuatro lugares marcados.
10. Conecte la sierra de mesa al piso utilizando la ferretería apropiada (no se incluye).

OPERACIONES Y AJUSTES

PRECAUCIÓN

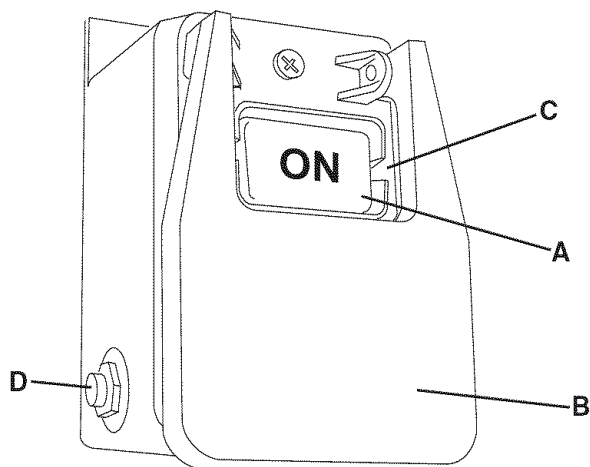
- Debe hacerse uso de un circuito eléctrico individual para su sierra de mesa. La sierra de mesa viene cableada de antemano para el funcionamiento a 120 voltios. El circuito no debe tener un calibre de alambre menor que #14 AWG y debe estar protegido con un fusible de retardación de tiempo de 15 amperios.
- Haga que un electricista competente repare o reponga el cordón dañado o gastado inmediatamente.
- Antes de conectar el motor a la línea de potencia, asegúrese de que el interruptor esté en la posición de apagado ("OFF") y asegúrese de que la corriente eléctrica tenga las mismas características que la placa de notaciones del motor. Todas las conexiones de línea deben hacer buen contacto.
- El funcionamiento a bajo voltaje o con extensiones eléctricas largas dañará el motor.

⚠ ADVERTENCIA

- **NO** exponga la sierra de mesa a la lluvia, ni haga uso de ella en lugares húmedos.
- **ASEGÚRESE** de que todas las piezas hayan sido correctamente montadas y que estén en buen estado de funcionamiento.
- **MANTENGA** la superficie de la mesa libre de herramientas y escombros antes de arrancar la sierra de mesa.

ARRANCANDO Y DETENIENDO LA SIERRA

Figura 14-1



1. El interruptor de ENCENDIDO/APAGADO (ON/OFF) está localizado por debajo del riel delantero de la sierra de mesa.
2. Para encender la sierra de mesa, oprima el botón verde de "ENCENDIDO" (A) hacia adentro una media pulgada. Aviso: Existe un dispositivo de seguridad en el interruptor para garantizar que el interruptor debe ser presionado completamente antes de que la sierra ARRANQUE. Ver la figura 14-1.
3. Para apagar la sierra de mesa, presione la paleta roja grande de "APAGADO" ("OFF") (B) o levante la paleta y presione el botón rojo de "APAGADO" ("OFF") directamente. Ver la figura 14-1.

ENCLAVANDO EL INTERRUPTOR DE ENCENDIDO/APAGADO

1. Cuando la sierra de mesa no se encuentre en uso, el botón de "ENCENDIDO" debe estar enclavado para que no pueda activarse.
2. Usando el candado que se incluye con su sierra de mesa, levante la paleta roja de "APAGADO" y coloque el candado a través de los agujeros (C) en el lado del botón de "ENCENDIDO" y luego cierre el candado. Asegúrese de que las llaves del candado hayan sido quitadas y colocadas en dónde no pueda alcanzarlas ningún niño. Ver la figura 14-1.
3. Para hacer uso de la sierra de mesa, abra el candado y retírelo del botón de "ENCENDIDO".

PROTECCIÓN CONTRA SOBRECARGAS TÉRMICAS

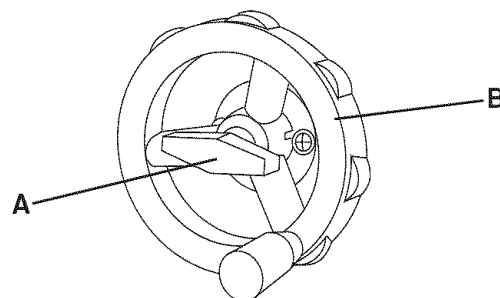
⚠ ADVERTENCIA

- Coloque el interruptor de energía en la posición de "APAGADO" y desenchufe el cordón de energía de la fuente de energía antes de efectuar o realizar cualquier mantenimiento.
- Asegúrese de que el botón de "APAGADO" haya sido presionado antes de oprimir el botón de restablecimiento de sobrecarga térmica.

El motor suministrado con su sierra de mesa tiene un relé restaurable de sobrecargas térmicas (D). Ver la figura 14-1. Si el motor se apaga durante una operación (cortando un material con rapidez excesiva o usando una hoja roma, usando la sierra más allá de su capacidad o a bajo voltaje), presione el botón de APAGADO y permita que el motor se enfríe de tres a cinco minutos. Empuje el botón de sobrecargas térmicas al costado del ensamblado del interruptor de ENCENDIDO/APAGADO. Asegúrese de que la hoja de la sierra y la zona de trabajo hayan sido despejadas de escombros antes de reactivar la sierra. El motor ya puede encenderse de nuevo.

ELEVANDO Y BAJANDO LA HOJA

Figura 15-1



El volante de mano de ajuste de altura de la hoja y la perilla de cierre del volante de mano están situados al frente del gabinete, por encima de la escuadra de biselado de la hoja. Para elevar la hoja de la sierra, afloje la perilla de cierre del volante de mano (A) (en sentido antihorario) y gire el volante de mano (B) en sentido horario. Cuando la hoja de la sierra se encuentre a la altura deseada, apriete la perilla de cierre del volante de mano (en sentido horario) hasta que esté afianzada seguramente. Ver la figura 15-1.

Para bajar la hoja de la sierra, afloje la perilla de cierre del volante de mano (en sentido antihorario) y gire el volante de mano en sentido antihorario. Cuando la hoja de la sierra se encuentre a la altura deseada, apriete la perilla de cierre del volante de mano (en sentido horario) hasta que esté afianzada seguramente.

INCLINANDO LA HOJA

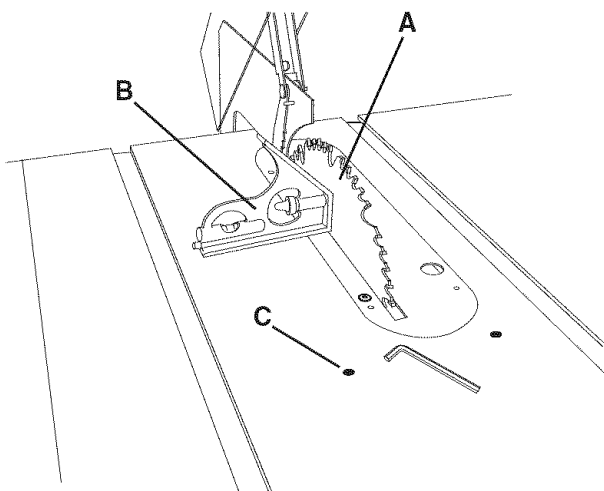
El volante de mano de biselado de la hoja y la perilla de cierre del volante de mano están situados en el lado izquierdo del gabinete. Para aumentar el biselado de la hoja de la sierra, afloje la perilla de cierre del volante de mano (A) (en sentido antihorario) y gire el volante de mano (B) en sentido horario. Cuando la hoja de la sierra se encuentre en su grado deseado, apriete la perilla de cierre del volante de mano (en sentido horario) hasta que este afianzada seguramente. Ver la figura 15-1.

Para devolver el biselado de la hoja de la sierra a cero grados, afloje la perilla del volante de mano (en sentido antihorario) y gire el volante de mano en sentido antihorario. Cuando la hoja de la sierra esté a cero grados de nuevo, entrará en contacto con el tope positivo ajustable, haciendo que la hoja se detenga. Apriete la perilla de cierre del volante de mano (en sentido horario) hasta que este afianzada seguramente.

Para inclinar el biselado de la hoja a 45 grados, afloje la perilla de cierre del volante de mano (en sentido antihorario) y gire el volante de mano en sentido horario. Cuando la hoja de la sierra esté a 45 grados, hará contacto con el tope positivo ajustable, haciendo que la hoja se detenga. Apriete la perilla de cierre del volante de mano (en sentido horario) hasta que este afianzada seguramente.

AJUSTANDO LOS TOPES POSITIVOS DE BISELADO DE LA HOJA

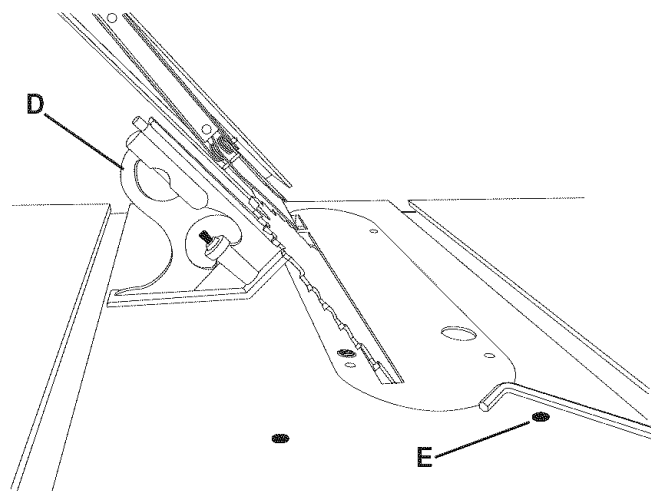
Figura 16-1



1. Para ajustar la hoja a un tope positivo de biselado de hoja de 90 grados, eleve la hoja de la sierra (A) a su posición más alta. Ver la figura 16-1.
2. Usando una escuadra de combinaciones (B), revise que la hoja se encuentre a 90 grados de la mesa de la sierra (cero grados en la escala de biselado). Ver la figura 16-1.

3. Si la hoja no se inclina a 90 grados, gire el tornillo de fijación (C) (en sentido antihorario) al lado izquierdo de la mesa de la sierra hasta que la hoja pueda posicionarse a los 90 grados. Apriete la perilla de cierre del volante de mano de biselado, localizado en el lado izquierdo del gabinete. Esto impedirá la inclinación adicional de la hoja y verificará que el tornillo de fijación esté en contacto con el tope positivo. Ver la figura 16-1.
4. Una vez que la hoja haya sido inclinada a 90 grados, apriete la perilla de cierre del volante de mano de biselado, localizado en el lado izquierdo del gabinete. Esto impedirá la inclinación adicional de la hoja. Gire el tornillo de fijación en sentido horario hasta que entre en contacto con el tope positivo.

Figura 16-2

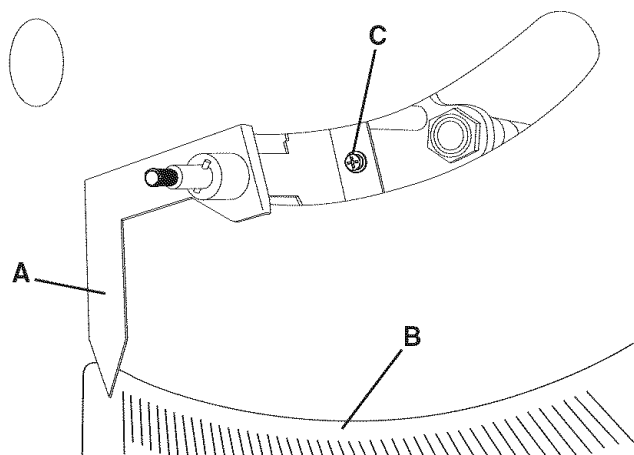


5. Para ajustar la hoja a un tope positivo de biselado de hoja de 45 grados, eleve la hoja de la sierra a su posición más alta.
6. Usando una escuadra de combinaciones (D), revise que la hoja esté a 45 grados de la mesa de la sierra (45 grados en la escala de biselado). Ver la figura 16-2.
7. Si la hoja no se inclina a 45 grados, gire el tornillo de fijación (E) (en sentido antihorario) localizado en el lado derecho de la mesa de la sierra hasta que la hoja pueda posicionarse a 45 grados. Apriete la perilla de cierre del volante de mano de biselado, localizada en el lado izquierdo del gabinete. Esto impedirá la inclinación adicional de la hoja y verificará que el tornillo de fijación esté en contacto con el tope positivo. Ver la figura 16-2.
8. Una vez que la hoja haya sido inclinada a 45 grados, apriete la perilla de cierre del volante de mano de biselado localizada en el lado izquierdo del gabinete. Esto impedirá la inclinación adicional de la hoja. Gire el tornillo de fijación en sentido horario hasta que entre en contacto con el tope positivo.

AJUSTE DE LA FLECHA DE BISELADO

1. Asegúrese de que la hoja esté a 90 grados de la superficie de la mesa usando una escuadra de combinaciones. Ver la figura 16-1.

Figura 17-1



2. Revise que la flecha de biselado (A) apunte hacia la marca de cero grados en la escala de biselado (B) situada al frente del gabinete. Ver la figura 17-1.
3. Para ajustar la flecha, afloje el tornillo de cabeza Philips (C) y repositone la flecha de biselado y apriete el tornillo. Ver la figura 17-1.

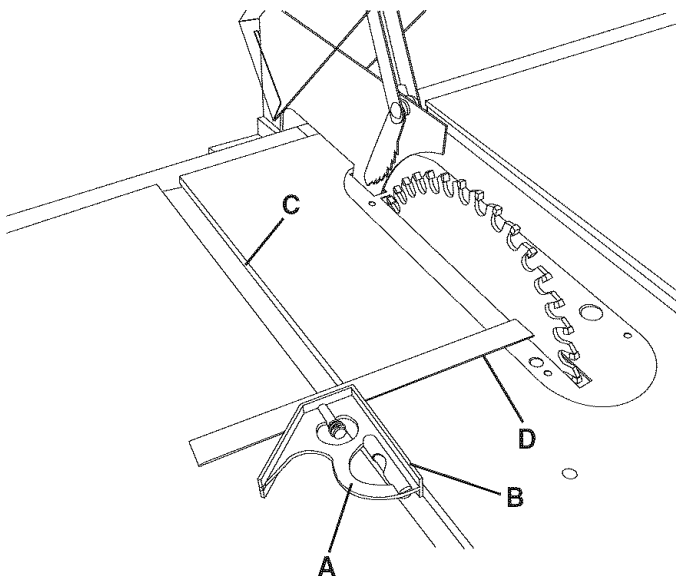
REVISANDO EL ALINEAMIENTO DE LA HOJA

La inclinación de la hoja es el alineamiento incorrecto de la hoja con las ranuras de ingletes. Esto significa que cuando la hoja no se encuentra paralela a las ranuras de inglete, se está inclinando. La hoja está fijada paralelamente en la fábrica y no debe requerir ningún ajuste adicional. Puede revisar esto mediante el uso de un indicador de cuadrante (no incluido) o una escuadra de combinaciones (no incluida). Se recomienda revisar el alineamiento antes del funcionamiento inicial en la siguiente manera:

⚠ ADVERTENCIA

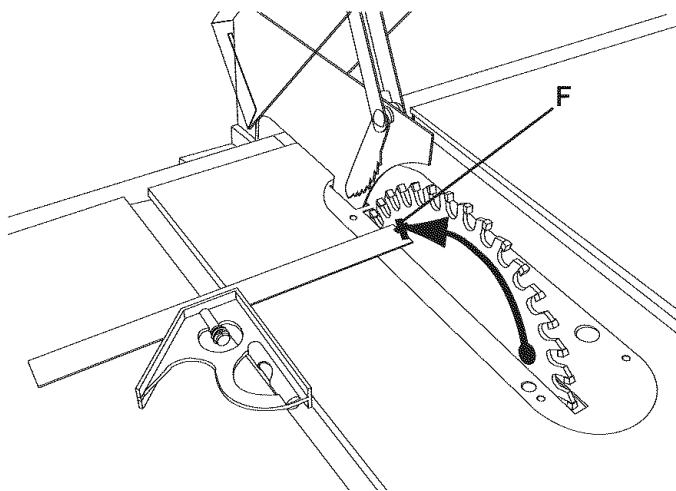
ASEGÚRESE de que la sierra de mesa esté desconectada de la fuente de energía.

Figura 17A-1



1. Eleve la hoja de la sierra a su punto más alto.
2. Coloque una escuadra de combinaciones (A) sobre la mesa de la sierra con uno de los bordes (B) de la escuadra contra la ranura de ingletes izquierda (C). Ver figura 17A-1.
3. Ajuste la escuadra de manera que la regla (D) sólo toque la hoja de la sierra aproximadamente 1 pulgada del diámetro externo. Asegúrese de que la regla no toque ninguno de los puntos de carburo de la hoja de la sierra.
4. Sujete la regla en esta posición.
5. Esta dimensión debe ser alrededor de 5-1/2 pulgadas, más o menos 3/32 de pulgada.

Figura 17A-2



6. Gire la hoja de la sierra hacia atrás para que pueda tomar las medidas desde el mismo punto en la hoja de la sierra. Ver figura 17A-2.
7. Tome una lectura en la parte posterior de la hoja (E) con la escuadra de combinaciones. Si hay una diferencia de más de cuatro espacios de papel estándar de impresora entre la regla y la hoja, se tendrá que realizar un ajuste.
8. Si resulta necesario realizar el ajuste, consulte "AJUSTANDO EL ALINEAMIENTO DE LA HOJA".

AJUSTANDO EL ALINEAMIENTO DE LA HOJA

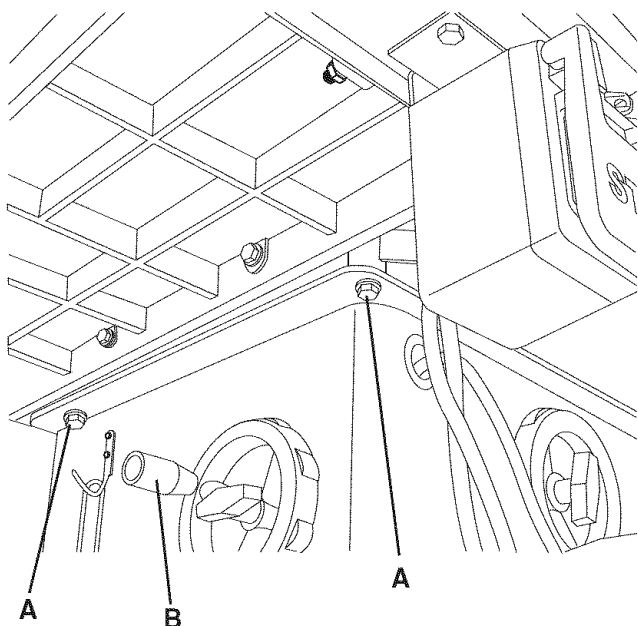
⚠ ADVERTENCIA

El alineamiento de la hoja está fijado de fábrica y no debe requerir ajuste. Todas las hojas de sierra tienen cierta cantidad de desviación. Por consiguiente, el reajuste del alineamiento de la hoja sólo debe realizarse si resulta necesario (ver Revisando el Alineamiento de la Hoja).

⚠ ADVERTENCIA

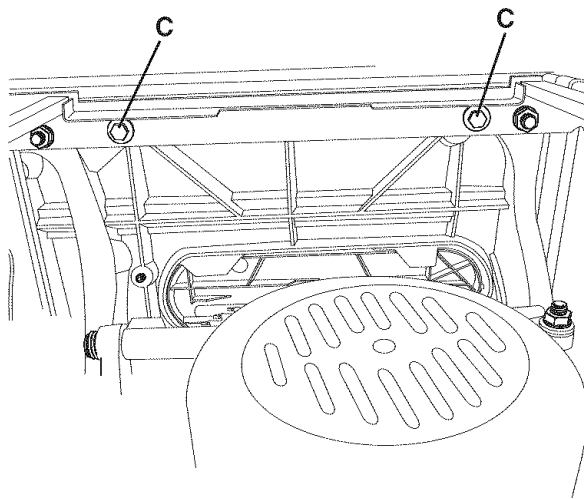
ASEGÚRESE de que la sierra de mesa esté desconectada de la fuente de energía.

Figura 17B-1



1. Para alinear el paralelo de la hoja con la ranura de ingletes, afloje primero las dos tuercas de cabeza hexagonal (A) debajo del lado izquierdo de la sierra de mesa. Este es en el mismo lado que el volante de biselado (B). Ver figura 17B-1.

Figura 17B-2



2. Abra la cubierta del motor localizada sobre el lado derecho de la sierra de mesa. Afloje los dos tornillos de cabeza hexagonal (C) localizados directamente sobre la abertura. Ver Figura 17B-2.
3. La sierra de mesa se encuentra aflojada ahora y podrá reposicionarse hasta que la hoja quede paralela con la ranura de ingletes. Repita los pasos en "REVISANDO EL ALINEAMIENTO DE LA HOJA".
4. Cuando la hoja esté paralela a la ranura de ingletes, apriete los cuatro tornillos de cabeza hexagonal.
5. Vuelva a revisar el alineamiento de la hoja.
6. Inclíne la hoja a 45 grados y gire la hoja de la sierra manualmente. Asegúrese de que la hoja no haga contacto con la pieza de inserción de mesa.

BIESEMEYER

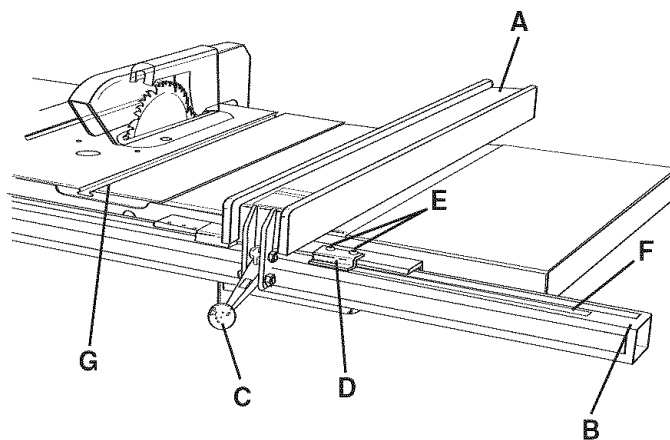
ENSAMBLADO DEL SISTEMA COMERCIAL DE GUÍA DE CORTE A LO LARGO CON ESCUADRA "T" DE BIESEMEYER

OPERACIONES Y AJUSTES

⚠ ADVERTENCIA

ASEGÚRESE de que la sierra de mesa esté desconectada de la fuente de energía durante la realización de los ajustes.

Figura 18-1

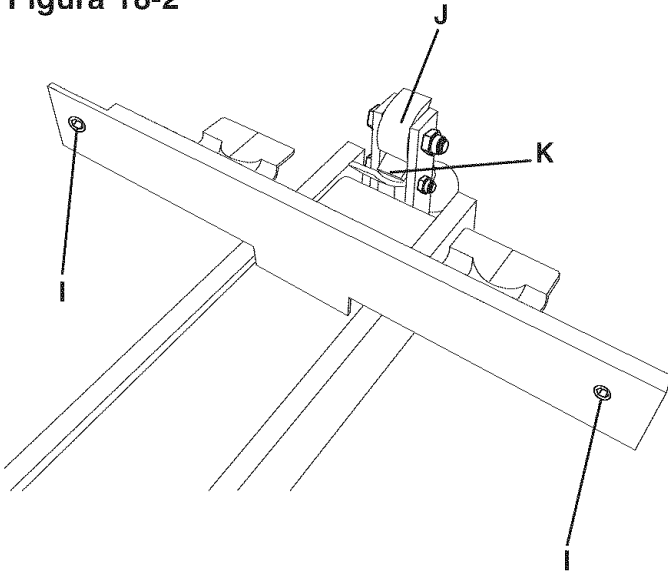


1. Para mover la guía de corte a lo largo (A) a lo largo del tubo de guía (B) sencillamente levante la agarradera de cierre (C). Ver la figura 18-1.
2. Deslice la guía de corte a lo largo a la posición deseada sobre el tubo de guía y haga presión sobre la agarradera de cierre de la guía para enclavar la guía de corte a lo largo. AVISO: Hay un imán montado en el cuerpo de la guía para sostener la agarradera de cierre en la posición elevada durante el movimiento de la guía de corte a lo largo. Ver la figura 18-1.
3. La línea negra delgada situada sobre el cursor (D) indica la distancia a la que se encuentra posicionada la guía de corte a lo largo desde la hoja de la sierra. Podrá resultar necesario ajustar uno de los cursores o ambos. Realice un corte de prueba con la guía de corte a lo largo en la posición enclavada. Ver la figura 18-1.
4. Mida el ancho del corte terminado y ajuste el cursor aflojando los dos tornillos (E). Ajuste el cursor hasta que la línea negra delgada esté alineada con la misma marca en la escala (F) que el corte terminado. Vuelva a apretar ambos tornillos. Ver la figura 18-1.

ALINEAMIENTO DE LA GUÍA

1. La guía de corte a lo largo (A) debe ajustarse de tal manera que quede paralela con la ranura de la escuadra de ingletes (G). Ver la figura 18-1.
2. Para revisar y ajustar, mueva la guía hasta que el borde inferior izquierdo de la guía esté en línea con el borde derecho de la ranura de la escuadra de ingletes a mano derecha y haga presión hacia abajo sobre la agarradera de cierre de la guía (C). Ver la figura 18-1.
3. Revise que la guía de corte a lo largo esté paralela con la ranura de la escuadra de ingletes a todo lo largo de la mesa. Si resulta necesario hacer un ajuste, levante la agarradera de cierre de la guía y levante la guía completamente del tubo de guía (B). Ver la figura 18-2.

Figura 18-2



4. Apriete o afloje ligeramente uno de los dos tornillos de ajuste (I) usando una llave hexagonal de 3/16 pulg. (no suministrada). Ver la figura 18-2.
5. Reponga la guía de corte a lo largo sobre el tubo de guía y revise de nuevo para ver que la guía de corte a lo largo esté paralela con la ranura de la escuadra de ingletes a todo lo largo de la mesa. Repita este ajuste hasta que la guía de corte a lo largo esté paralela con la ranura de la escuadra de ingletes. **IMPORTANTE:** Se requiere muy poco movimiento de los tornillos para ajustar la guía en paralelo con la ranura de la escuadra de ingletes.

AJUSTANDO LA ACCIÓN DE ABRAZADERA DE LA AGARRADERA DE CIERRE DE LA GUÍA

1. Cuando la agarradera de cierre (C) haya sido presionada hacia abajo a la posición inferior, la guía de corte a lo largo (A) debe quedar plenamente afianzada al tubo de guía (B). Ver la figura 18-1.
2. Si la guía de corte a lo largo no está plenamente abrazada a la guía, levante la agarradera de cierre y levante la guía de corte a lo largo fuera del tubo de guía.

3. Apriete ligeramente los dos tornillos de ajuste (I) usando una llave hexagonal de 3/16 pulg. (no suministrada). **AVISO:** Los tornillos deben afianzarse en cantidades iguales. Ver la figura 18-2.
4. Reponga la guía de corte a lo largo sobre el tubo de guía y enclávela. Revise que la guía de corte a lo largo esté afianzada de manera segura al tubo de guía. Repita los pasos anteriores si se requiere la realización de ajustes adicionales.
5. **IMPORTANTE:** Después de ajustar la acción de abrazadera en la guía de corte a lo largo, revise que la guía de corte a lo largo aún siga paralela a la ranura de la escuadra de ingletes.

LUBRICACIÓN

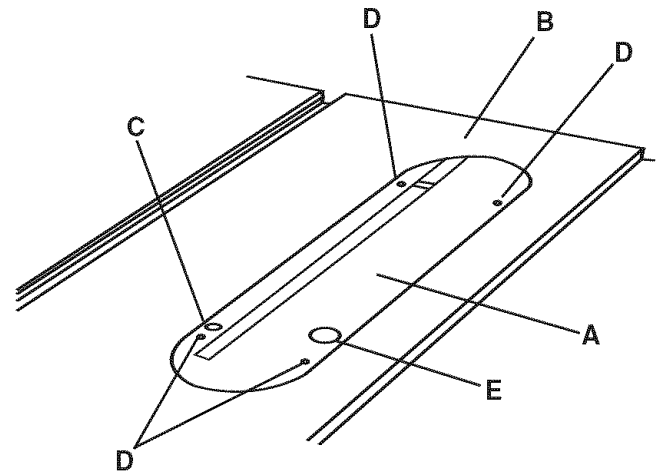
1. Aplique cera en pasta semanalmente a las superficies deslizantes de la guía de corte a lo largo (A) y del tubo de guía (B). Además, la mesa de la sierra y las superficies de las mesas de extensión deben encerarse a menudo. Ver la figura 18-1.
2. Aplique grasa al cierre de levas (J) y al pie de levas (K) ocasionalmente para impedir el desgaste. Ver la figura 18-2.

AJUSTE DE LA PIEZA DE INSERCIÓN DE MESA

⚠ ADVERTENCIA

ASEGÚRESE de que la sierra de mesa esté desconectada de la fuente de potencia durante la realización de los ajustes.

Figura 19-1



1. La pieza de inserción de mesa (A) debe estar nivelada siempre con la mesa de la sierra (B). Para ajustar la pieza de inserción de la mesa, afloje y remueva el perno de retén de la pieza de inserción de mesa (C). Ver la figura 19-1.
2. Coloque una regla sobre el frente y la parte trasera de la pieza de inserción de mesa. Revise que la pieza de inserción esté perfectamente nivelada con la mesa de la sierra.
3. Para nivelar la pieza de inserción de la mesa, gire el tornillo o los tornillos de ajuste de fijación (D) según lo necesario y vuelva a revisar. Ver la figura 19-1.

- Una vez que la pieza de inserción de mesa esté nivelada, afiance la pieza con el perno de retén que fue removido en el paso 1.
- La pieza de inserción de mesa viene equipada con un agujero de dedo (E) para la remoción fácil. Ver la figura 19-1.

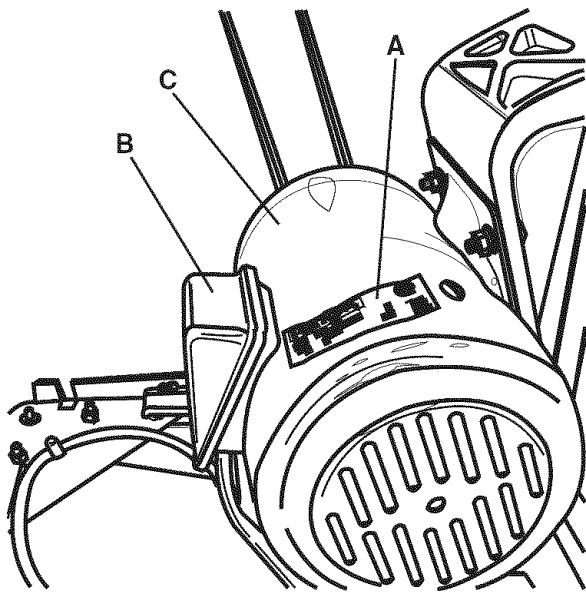
CAMBIANDO EL VOLTAJE DEL MOTOR

⚠ ADVERTENCIA

- ASEGURESE** de que la sierra de mesa esté desconectada de la fuente de potencia antes de trabajar con el motor.
- Haga que un electricista competente realice todas las conexiones eléctricas. Deben acatarse todos los códigos locales y estatales.

El motor suministrado con la sierra de mesa es un motor monofásico de doble voltaje, 120/240-voltios. El motor viene cableado de fábrica para el funcionamiento a 120 voltios. Para cambiar su sierra de mesa al funcionamiento a 240 voltios, prosiga con las siguientes instrucciones. También resulta necesario reemplazar el enchufe de 120 voltios suministrado con la sierra de mesa por un enchufe de 120 voltios clasificado por UL / CSA (no incluido) y apropiado para los 240 voltios y la corriente clasificada de la sierra. La sierra de mesa con el enchufe de 240 voltios sólo debe conectarse a un tomacorrientes que disponga de la misma configuración que el enchufe. No hay adaptadores disponibles para el enchufe de 240 voltios ni tampoco debe usarse ninguno.

Figura 20-1



- Asegúrese de que el interruptor esté "APAGADO" y desconecte el cordón de energía de la fuente de energía.
- Abra la cubierta del motor y verifique en la etiqueta del motor (A) que el motor es de doble voltaje. Ver la figura 20-1.
- Si la etiqueta del motor declara que es de doble voltaje, quite la cubierta de la caja de empalmes (B) del motor (C). Ver la figura 20-1.
- Usando el diagrama de cableado en el interior de la cubierta de la caja de empalmes, reconecte los avances del motor para el funcionamiento a 240 voltios.

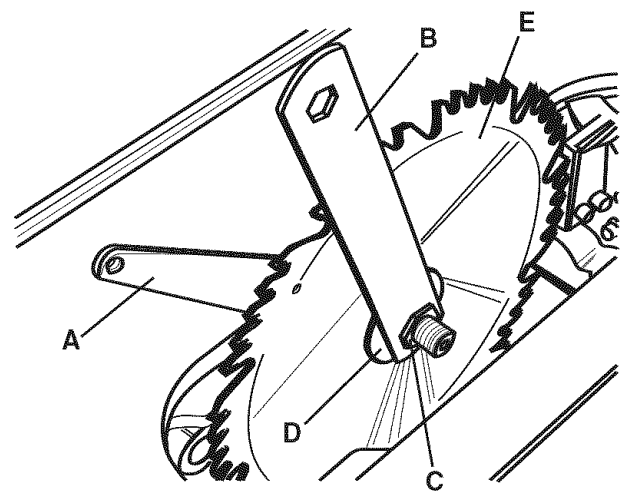
- Reponga la cubierta de la caja de empalmes y cierre la cubierta del motor.
- Reponga el enchufe de 120 voltios por uno de 240 voltios clasificado por UL/CSA para la corriente del motor.
- El interruptor de ENCENDIDO/APAGADO es de 4 polos y no necesita ser modificado.

CAMBIANDO LA HOJA DE LA SIERRA

⚠ ADVERTENCIA

- Conmute el interruptor de energía a APAGADO y desenchufe el cordón de potencia de su fuente de potencia mientras que efectúa el recambio de la hoja de la sierra.
- SÓLO UTILICE** hojas con diámetro de 10 pulg. y con agujeros de eje de 5/8 pulg., tasados a 3800 RPM o más alto.

Figura 21-1



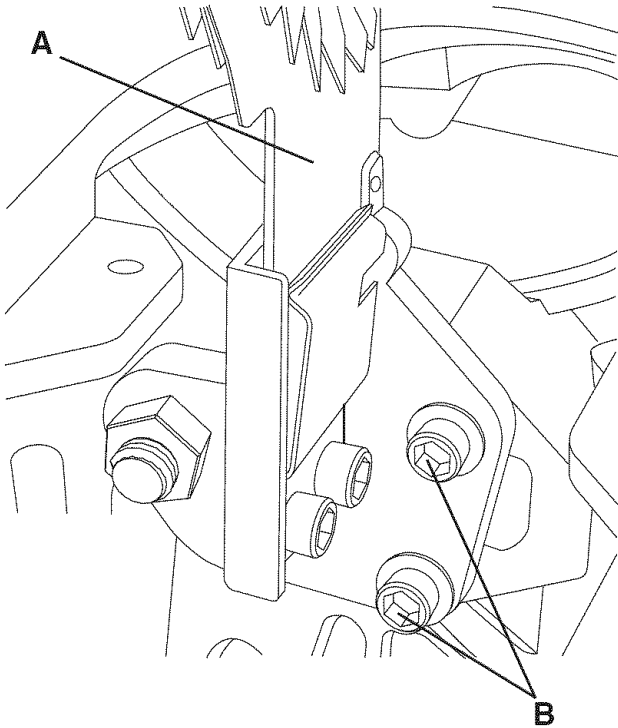
- Remueva el protector de hoja y el hendidor.
- Remueva el perno de retén de la pieza de inserción de mesa y remueva la pieza de inserción de mesa.
- Desenclave el cierre del volante de mano de elevación / bajado y eleve la hoja de la sierra a su altura máxima.
- Se suministran dos llaves con la sierra de mesa. Coloque una llave de boca (A) sobre la parte plana del eje de la sierra para evitar que gire. Coloque la llave de extremo cerrado (B) sobre la tuerca del eje (C). Gire la llave de la tuerca del eje hacia el frente de la sierra para aflojarla. Remueva la tuerca del eje, la pestaña de la hoja (D) y la hoja de la sierra (E). Ver la figura 21-1.
- Monte la nueva hoja de la sierra. Asegúrese de que los dientes apunten hacia abajo al frente de la mesa de la sierra y monte la pestaña de la hoja y la tuerca del eje. Usando ambas llaves de hoja en la manera antes mencionada, apriete la tuerca del eje en la dirección contraria a la que fue aflojada.
- Reponga la pieza de inserción de mesa y apriete el perno de retén de la pieza de inserción de mesa.
- Reponga el protector de hoja y el hendidor.

ALINEANDO EL SOPORTE DEL HENDIDOR

⚠ ADVERTENCIA

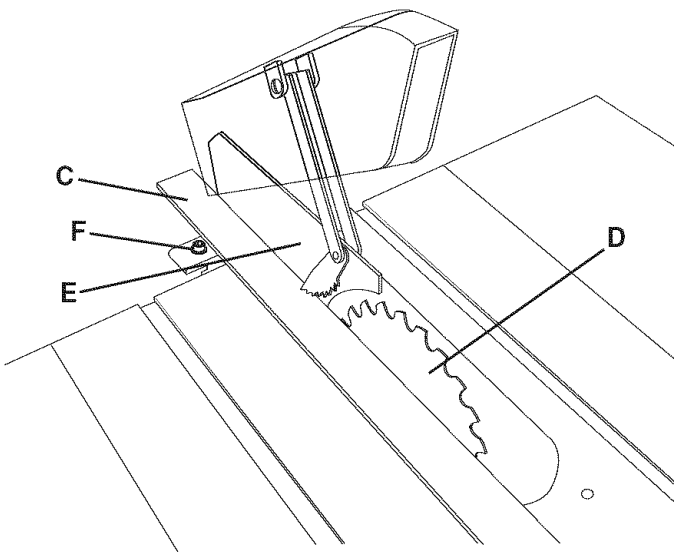
ASEGÚRESE de que la sierra de mesa esté desconectada de la fuente de energía.

Figura 21A-1



1. Para ajustar el soporte del hendidor delantero (A), afloje los dos tornillos de cabeza hueca hexagonal (B). Ver Fig. 21A-1.

Figura 21A-2



2. Coloque una regla (C) a lo largo del lado izquierdo de la hoja (D) y ajuste el soporte del hendidor delantero para alinear el hendidor (E) a la hoja. Ver figura 21A-2.

3. Vuelva a apretar los dos tornillos de cabeza hueca hexagonal después de haber alineado el hendidor.
4. Si resulta necesario, ajuste el soporte del hendidor posterior (F) asegurándose de que el hendidor completo esté en línea con la hoja de la sierra. Ver figura 21A-2.
5. Vuelva a revisar para asegurarse de que el hendidor siga aún cuadrado con la mesa de la sierra. Si se requiere efectuar algún ajuste, consulte PROTECTOR DE HOJA Y ENSAMBLADO DEL HENDIDOR.

HOJA DE SIERRA LEITZ DE DIENTES VARIABLES DE 10 PULG.

Los distintivos claves de la Hoja de Sierra Leitz de Paso Variable:

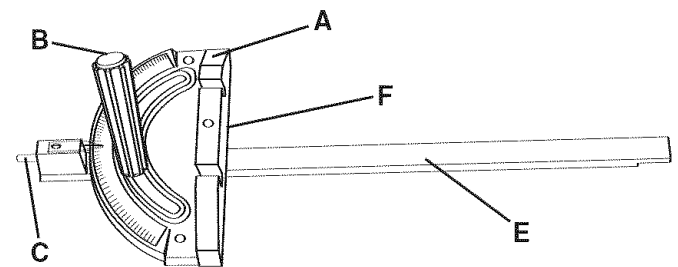
1. Vida de hoja más extensa: Combinar los patrones de dientes variables con ornamentación láser insonorizante puede extender la vida de la herramienta entre 25% y 50%.
2. Alta calidad de corte: Mejora del 41% por encima de las hojas estándar en la mayoría de los materiales.
3. Operación silenciosa: Insonorización de 5 dB a 10 dB en comparación con las hojas estándar. 10 dB es equivalente a una reducción del 50% en el nivel de ruido al oído humano.
4. Mejor valor de rendimiento.
5. Cuerpo de precisión de acero cortado a láser, carburo de microgranos de mejor calidad, amartillado a mano (sintonizado) a las mejores tolerancias de la industria.

OPERACIÓN Y AJUSTE DE LA ESCUADRA DE INGLETES

⚠ ADVERTENCIA

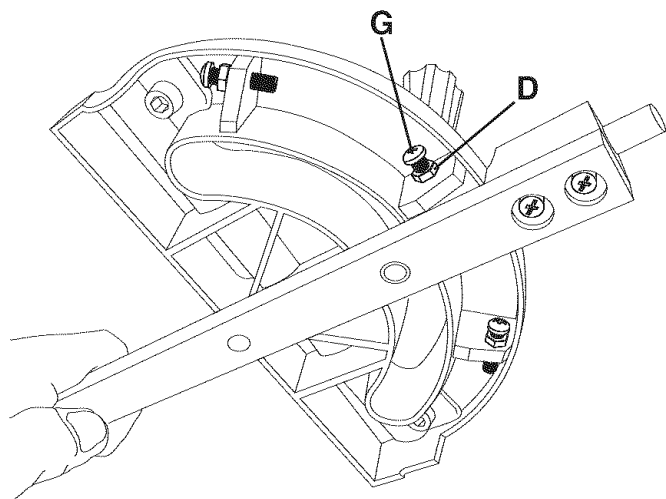
ASEGÚRESE de que la sierra de mesa esté desconectada de la fuente de energía cuando vaya a realizar ajustes.

Figura 22-1



1. La escuadra de ingletes dispone de topes positivos ajustables a 0 grados y positivo/negativo 45 grados, o puede ser establecido manualmente a cualquier ángulo entre positivo/negativo 60 grados.
2. Para girar el cuerpo de la escuadra de ingletes (A), afloje la perilla (B) y extraiga el émbolo (C). Gire el cuerpo de la escuadra de ingletes al ángulo deseado y apriete la perilla. Ver la figura 22-1.
3. Para girar al siguiente tope positivo, extraiga el émbolo, gire el cuerpo de la escuadra de ingletes, luego vuelva a empujar el émbolo hacia adentro y siga girando el cuerpo de la escuadra de ingletes hasta que se detenga en el siguiente tope positivo.
4. Para ajustar los topes positivos a 0 grados, afloje la perilla, extraiga el émbolo y dele vuelta a la escuadra de ingletes.

Figura 22-2



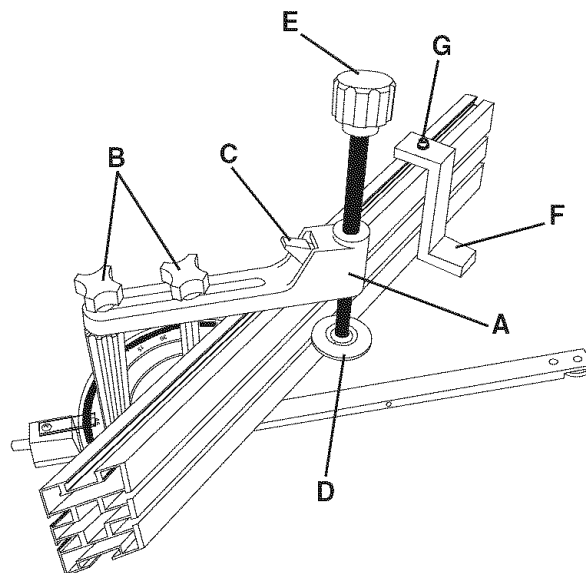
5. Afloje la tuerca de cierre (D) 3 ó 4 vueltas. Ver la figura 22-2.
6. Coloque una escuadra contra la barra de guía (E) y el frente del cuerpo de la escuadra de ingletes. Cuadre el cuerpo de la escuadra de ingletes con la barra de guía y apriete la perilla. Ver la figura 22-1.
7. Empuje el émbolo hacia adentro y haga ajustes al tornillo de parada (G) de manera que toque el émbolo, apretando la tuerca de cierre después. Ver la figura 22-2.
8. Vuelva a revisar el ángulo del tope positivo con la hoja de la sierra. Inserte la barra de guía dentro de la ranura de la escuadra de ingletes y deslice la escuadra de ingletes hasta la hoja de la sierra.
9. Para revisar, coloque una escuadra contra la hoja de la sierra y el cuerpo de la escuadra de ingletes. Si se requieren ajustes adicionales, repita los pasos anteriores.
10. Para fijar ambos topes positivos de 45 grados, repita los pasos anteriores.

OPERACIÓN DE LA ABRAZADERA Y DEL TOPE DE LA GUÍA

⚠ ADVERTENCIA

ASEGÚRESE de que la sierra de mesa esté desconectada de la fuente de energía cuando realice los ajustes.

Figura 23-1



1. La abrazadera de material (A) puede ser posicionada dentro y fuera aflojando las dos perillas (B) y deslizando el cuerpo de la abrazadera hacia adentro o afuera. Vuelva a apretar las perillas cuando se encuentren en la posición deseada. Ver la figura 23-1.
2. La abrazadera de material tiene una liberación rápida que le permite posicionar la abrazadera arriba o abajo con rapidez. Para engranar la liberación rápida, oprima el gatillo hacia arriba (C) y sujételo. La almohadilla de abrazadera (D) caerá o podrá ser elevada. Para liberar, suelte el gatillo. Ahora podrá darle vuelta a la perilla (E) para aplicar presión de abrazadera. Ver la figura 23-1.
3. El tope de parada de la guía (F) puede reposicionarse a lo largo de la guía aflojando el tornillo de cabeza hueca hexagonal (G). Deslice el tope de parada de la guía a la posición deseada y apriete el tornillo de cabeza hueca hexagonal. Si no se requiere el tope de parada de la guía, se le puede almacenar detrás de la guía para que no estorbe. Ver la figura 23-1.

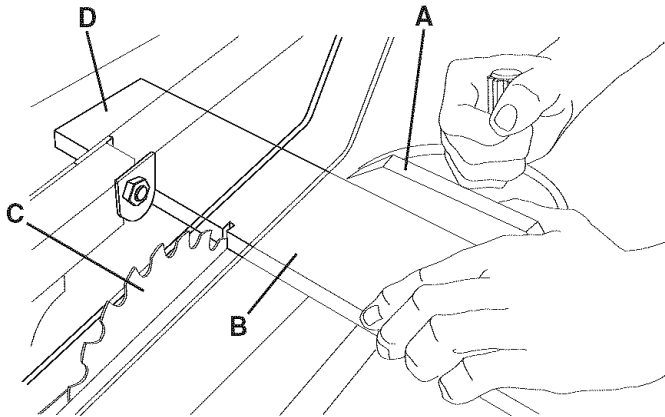
CORTE TRANSVERSAL

El corte transversal exige el uso de la escuadra de ingletes (A) para posicionar y guiar el material (B). Ver la figura 24-1.

⚠ ADVERTENCIA

El uso de aditamentos y accesorios que no sean de Craftsman podrá resultar en el riesgo de lesiones al usuario o daño a la sierra de mesa.

Figura 24-1



PARA EL CORTE TRANSVERSAL:

1. Coloque el material contra la escuadra de ingletes y avance tanto la escuadra de ingletes como el material hacia la hoja de la sierra (C). Ver figura 24-1.

Aviso: La escuadra de ingletes podrá utilizarse en cualquiera de las ranuras de escuadra de ingletes. Durante el corte de biselado (con la hoja inclinada) haga uso de la ranura derecha de la escuadra de ingletes para que la hoja se incline en el sentido opuesto a la escuadra de ingletes y de sus manos.

2. Inicie el corte con lentitud y sujete el material con firmeza contra la escuadra de ingletes y la mesa.

⚠ ADVERTENCIA

Para evitar heridas graves, no se agarre ni toque **JAMÁS** la parte del material que va a cortarse (D).

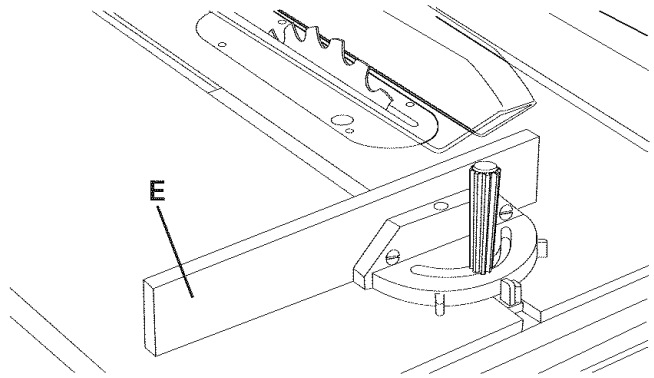
3. Siga cortando hasta que el material haya sido cortado a la mitad.
4. Deslice la escuadra de ingletes y el material hacia el punto de comienzo otra vez.

Aviso: Antes de deslizar el material nuevamente, mueva el material hacia el lado un poco para alejarlo ligeramente de la hoja de la sierra.

⚠ ADVERTENCIA

JAMÁS recoja ningún trozo de material descartado de la mesa mientras que la sierra esté funcionando. Espere hasta que la hoja de la sierra se haya detenido por completo.

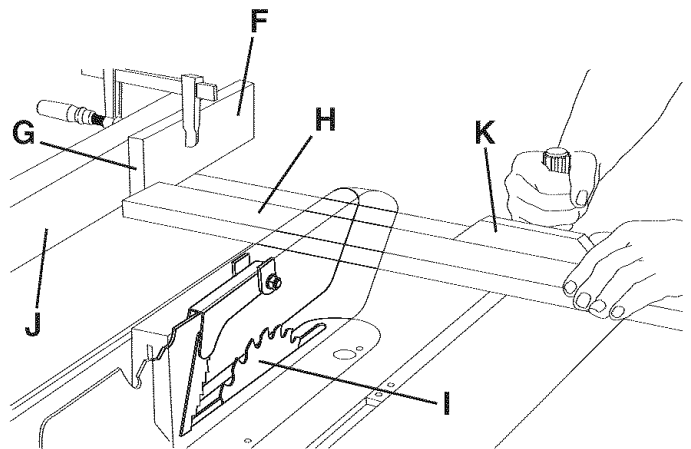
Figura 24-2



GUÍA AUXILIAR

Para mayor seguridad y conveniencia, la escuadra de ingletes puede equiparse con una guía auxiliar (E) si no es que viene equipada con una. Si la guía auxiliar no ha sido suministrada con su sierra, es posible comprar una como accesorio o puede hacerse una a partir de un pedazo dimensional de madera dura. Esta guía auxiliar puede afianzarse al frente de la escuadra de ingletes usando dos tornillos (no incluidos) a través de las ranuras (no ilustradas) en el cuerpo de la escuadra de ingletes. Ver figura 24-2.

Figura 24-3



CALIBRE DE TROCEADO

1. Cuando vaya a realizar el corte transversal de un número de piezas a la misma extensión, afiance un bloque de madera (F) a la guía (J) para utilizarlo como calibre de troceado. Es importante que dicho bloque de Madera siempre sea posicionado al frente de la hoja de la sierra. Ver la figura 24-3.

PRECAUCIÓN

Cuando vaya a hacer uso del bloque como calibre de corte, es muy importante que la parte trasera del bloque esté posicionado de tal manera que el material quede libre del bloque antes de entrar en la hoja.

⚠ ADVERTENCIA

Jamás utilice la guía como calibre de corte durante el corte transversal.

Durante el corte transversal de un cierto número de piezas a la misma longitud, se podrá abrazar un bloque de madera a la guía para funcionar como calibre de corte en la forma ilustrada. Es importante que este bloque de madera siempre se encuentre posicionado al frente de la hoja de la sierra, según lo ilustrado. Una vez que se haya determinado la extensión de corte, afiance la guía y utilice la escuadra de ingletes para alimentar el material a la hoja. Este bloque de madera permite que la pieza troceada se mueva con libertad a lo largo de la superficie de la mesa sin que se produzca ningún agarrotamiento entre la guía y la mesa de la sierra, reduciendo así la posibilidad del contragolpe y lesiones al usuario.

Aviso: Este bloque permite que el pedazo de material descartado de troceado se mueva libremente a lo largo de la superficie de la mesa sin atascarse entre la guía y la hoja, reduciendo así la posibilidad del contragolpe y las heridas al usuario.

- Una vez que la extensión de troceado haya sido determinada, enclave la guía y deslice el material a lo largo de la superficie de la mesa hasta que haga contacto con el bloque. Utilice la escuadra de ingletes (K) para alimentar el material hacia la hoja.

⚠ ADVERTENCIA

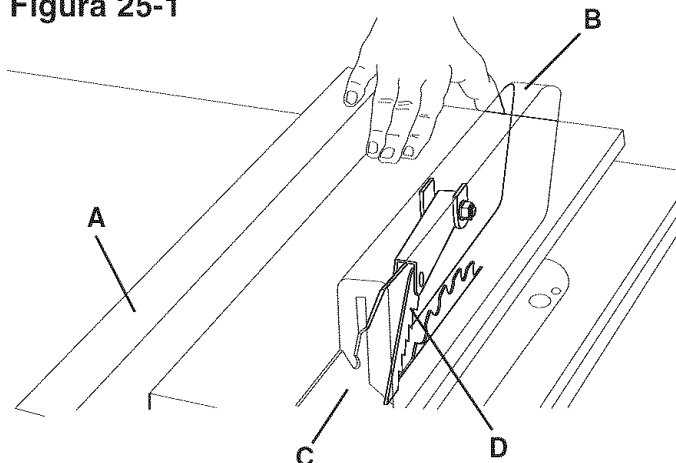
Para evitar los contragolpes durante el uso del bloque (F) como calibre de troceado, es muy importante que el extremo trasero del bloque (G) sea posicionado de tal manera que el material (H) esté despejado del bloque antes de que ingrese en la hoja (I). Jamás utilice la guía (J) como calibre de troceado durante el corte transversal. Vea la figura 24-3.

CORTE A LO LARGO

⚠ ADVERTENCIA

- JAMÁS** se pare en la línea del trayecto de la hoja de la sierra durante el corte a lo largo.
- SIEMPRE** mantenga las manos y los dedos alejados de la hoja de la sierra.

Figura 25-1



El corte a lo largo es la operación de realizar un corte en dirección del grano del material. La guía de corte a lo largo (A) se utiliza para posicionar y guiar el material. Puesto que el material se empuja a lo largo de la guía, debe disponer de un borde recto y hacer contacto con la mesa de la sierra. El protector de hoja (B) y el ensamblado del hendidor (C) deben ser utilizados. El hendidor cuenta con dedos anticontragolpe (D) para impedir que el material haga contragolpe, y el ensamblado del hendidor para impedir que la entalladura de la Madera se cierre y atasque la hoja. Ver la figura 25-1.

- Con el material libre de la hoja de la sierra, arranque el motor.
- Coloque el material sobre la mesa de la sierra con el borde recto contra la guía.
- Avance el material lentamente, sujetándolo hacia abajo y contra la guía, y luego hacia la hoja de la sierra.

Aviso: El material puede alimentarse a través de la hoja de la sierra con una o dos manos, según el tamaño.

- Después de que el material se encuentre más allá de la hoja de la sierra y de los dedos anticontragolpe, podrá retirar su mano del material. Cuando haya hecho esto, el material o permanecerá en la mesa, o se inclinará ligeramente para quedar atrapada por el extremo trasero de la guía, o se deslizará de la mesa hacia el suelo. Alternativa-mente, la alimentación podrá proseguir hasta el final de la mesa, después de lo cual el material podrá levantarse y traerse nuevamente a lo largo del borde externo de la guía.
- La parte troceada del material permanece sobre la mesa y no se toca hasta que la hoja de la sierra se haya detenido por completo.

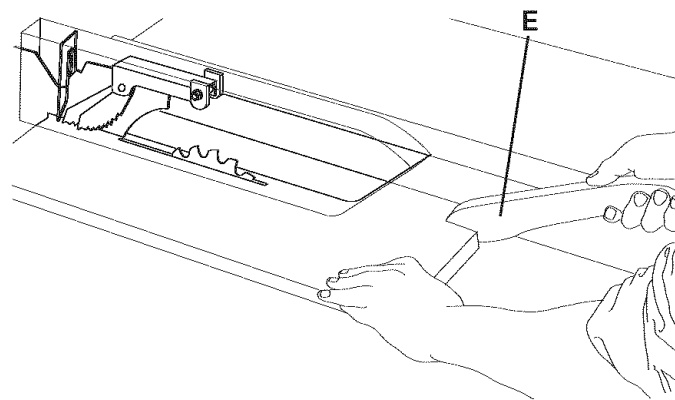
PRECAUCIÓN

Cuando vaya a cortar a lo largo cualquier material más largo que tres pies, se recomienda que el material sea apoyado detrás de la sierra de mesa para evitar que caiga. Puede comprarse un estante de rodillos para apoyar los materiales largos detrás de una sierra de mesa.

PRECAUCIÓN

Si el material a cortarse tiene menos de 4 pulg. de ancho, debe hacerse uso siempre de una varilla de empuje (E) o guía para mantener sus manos alejadas de la hoja de la sierra. Ver figura 25-2.

Figura 25-2



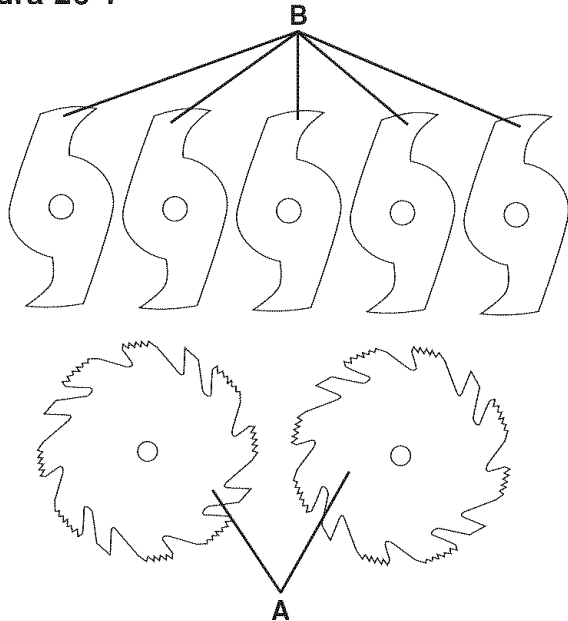
Puede comprarse una Guía Craftsman de accesorio como ayuda cuando vaya a efectuar cortes angostos. Vea la sección "ACCESORIOS Y ADITAMENTOS" en este manual.

CONJUNTO DE FRESAS ROTATIVAS DE RANURAR

⚠ ADVERTENCIA

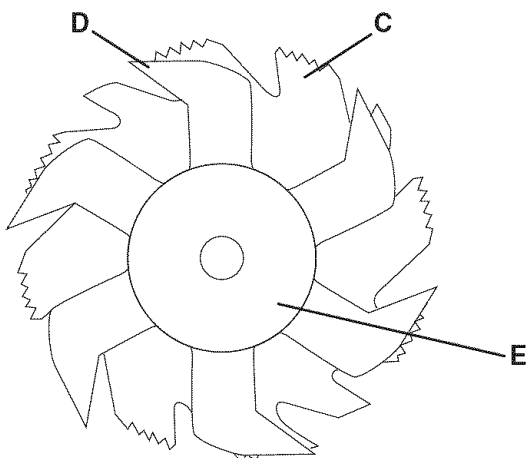
El protector de hoja y ensamblado del hendidor no puede utilizarse durante el fresado o moldurado y debe bascularse hacia la parte trasera de la sierra. El protector de hojas debe reensamblarse una vez que haya completado el fresado o moldurado.

Figura 26-1



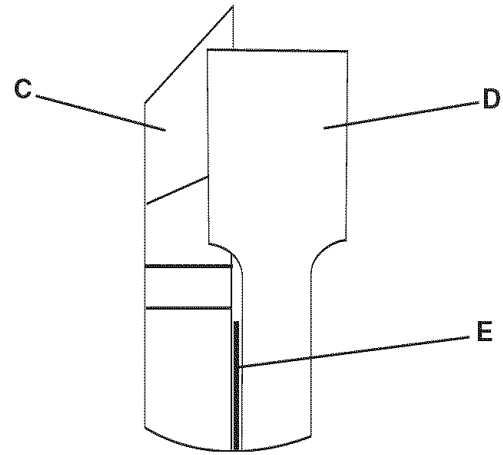
El fresado es un corte que no es pasante o directo y que produce una muesca cuadrada en el material. La mayoría de los conjuntos de fresas rotativas (no incluidas) están conformadas por dos fresas rotativas exteriores (A) y cuatro o cinco astilladoras interiores (B). Pueden colocarse calzos (E) entre las fresas y astilladores para variar el ancho de un corte de fresa ligeramente. No deben colocarse más de dos calzos juntos entre un conjunto de fresas o astilladoras. Los calzos pueden estar hechos de papel pesado, bronce o metal. Las distintas combinaciones de fresas y astilladoras se utilizan para el ranurado de 1/8 pulg. a 13/16 pulg. en la construcción de anaqueles, la formación de juntas, espigado, ranurado, etc. Ver las figuras 26-1, 26-2 y 26-3.

Figura 26-2



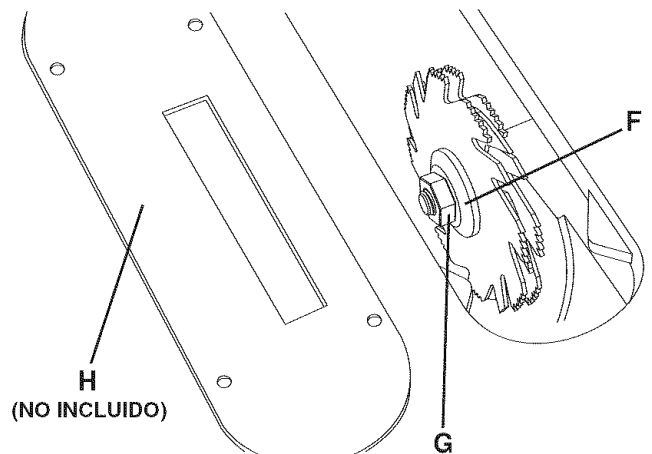
Los dientes de las fresas rotativas y las astilladoras tienen gradación. Los dientes de las fresas rotativas y las astilladoras deben estar dispuestos de tal forma que la gradación de cada diente esté solapada con la del próximo diente. Las gradaciones de la fresa rotativa (C) y la astilladora (D) se solapan como se ilustra en la Figura 26-3. Puede utilizarse un calzo (E) según sea necesario para controlar el ancho exacto de una fresa rotativa. Ver las figuras 26-2 y 26-3.

Figura 26-3



Cuando el ancho de la fresa rotativa es de 13/16 pulg., no puede hacerse uso de la pestaña exterior del eje (F). Sólo debe usarse la tuerca del eje (G). Apriete la tuerca del eje contra el cuerpo de la fresa rotativa. No pierda la pestaña exterior del eje, ya que será necesaria durante la reconexión de la hoja al eje de la sierra. Además debe hacerse uso de una pieza de inserción de mesa para la fresa rotativa (H) (no incluida) en vez de la pieza de inserción de mesa estándar. Ver figura 26-4.

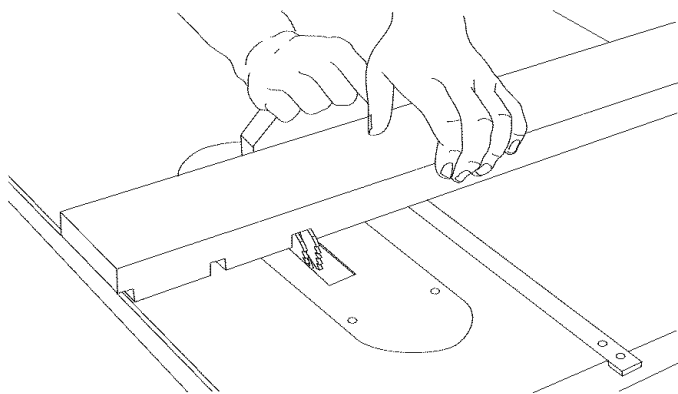
Figura 26-4



⚠ ADVERTENCIA

El protector de hoja y el ensamblado del hendidor no pueden ser usados durante el fresado y deben bascularse hacia la parte trasera de la sierra.

Figura 26-5



La Figura 26-5 muestra una operación típica de fresado haciendo uso de la escuadra de ingletes.

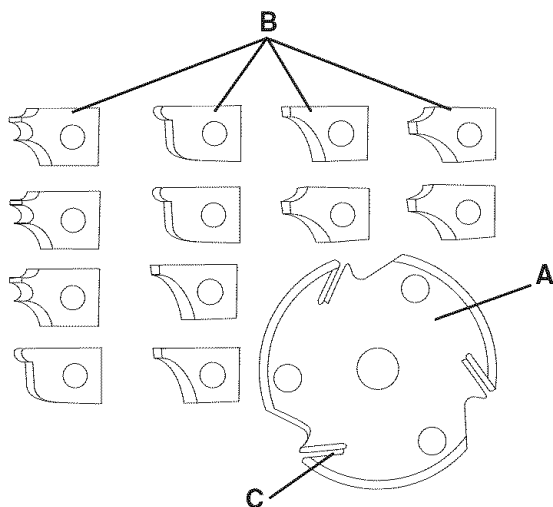
⚠ ADVERTENCIA

- **JAMÁS** utilice el cabezal de fresa rotativa en la posición de biselado.
- **SIEMPRE** instale el protector de hojas y el ensamblado del hendidor después de haber completado la operación de fresado.

FRESA DE MOLDURAR

El moldurado es el cortar una figura en el borde o la cara del material. El corte de moldurados con una fresa de moldurar (no incluida) en la sierra circular representa una operación rápida, segura y limpia. Las distintas formas de cuchillas disponibles permiten que el operario produzca casi cualquier clase de moldurado, tales como distintos tipos de moldurados de esquinas, marcos para cuadros, bordes de mesa, etc.

Figura 27-1

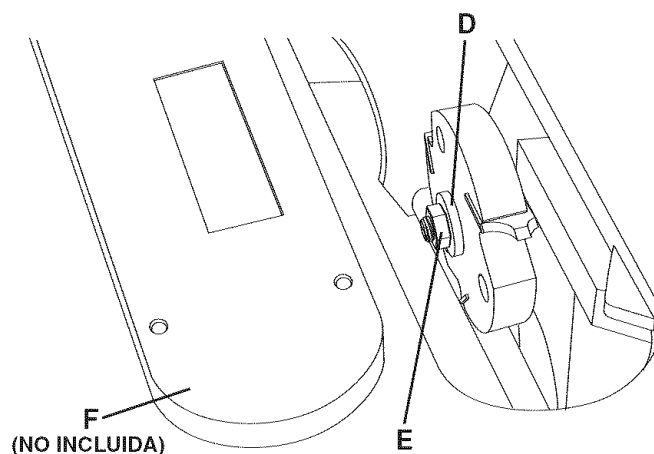


El cabezal de moldurar consiste de un cabezal de corte (A) en el que puede montar distintos tipos de cuchillas de acero (B). Cada una de las tres cuchillas en un conjunto está fijada a una ranura en el cabezal de corte y está afianzada seguramente con un tornillo. Las ranuras de las cuchillas (C) deben conservarse libres de aserrín, lo que impediría que la fresa tuviese el asiento correcto. Ver la figura 27-1.

⚠ ADVERTENCIA

El protector de hoja y el ensamblado del hendidor no pueden utilizarse durante el fresado o el moldurado y deben bascularse hacia la parte trasera de la sierra. El protector de hoja debe reensamblarse cuando haya terminado.

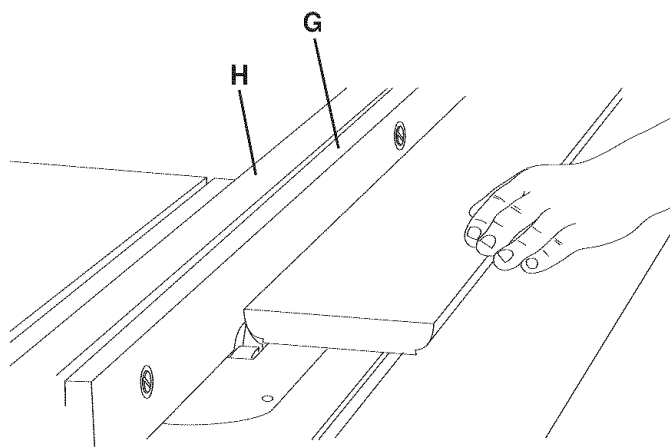
Figura 27-2



La Figura 27-2 muestra el cabezal de moldurado montado al eje de la sierra.

Si la pestaña exterior del eje (D) no puede utilizarse con el cabezal de moldurado, apriete la tuerca del eje (E) contra el cuerpo del cabezal. No pierda la pestaña exterior del eje, ya que será necesaria durante la reconexión de la hoja al eje de la sierra. Además debe hacerse uso de una pieza de inserción de mesa para el moldurado (F) (no incluida) en vez de la pieza de inserción de mesa estándar. Ver la figura 27-2.

Figura 27-3



Durante el uso del cabezal de moldurado, resulta necesario añadir un refrentado de madera (G) a la cara de la guía de corte a lo largo (H). El refrentado se conecta a la guía mediante el uso de afianzadores. Un refrentado de 3/4 pulg. es adecuado para la mayoría de los trabajos, aunque ciertos trabajos ocasionalmente podrán exigir un refrentado de 1 pulg. Ver la figura 27-3.

Posicione el refrentado de madera sobre el cabezal de corte con el cabezal de corte por debajo de la superficie de la mesa. Encienda la sierra y eleve el cabezal de corte lentamente. El cabezal de corte cortará su propia ranura en el refrentado de madera.

⚠️ ADVERTENCIA

- Jamás utilice el cabezal de moldurado en la posición de biselado.
- Jamás pase el material entre la guía y el cabezal de moldurado, ya que la madera de configuración irregular producirá contragolpes.

MANTENIMIENTO

AJUSTES DE REPERCUSIÓN PARA LOS ENSAMBLADOS DE ELEVACIÓN/BAJADO DE LA HOJA E INCLINACIÓN DE LA HOJA

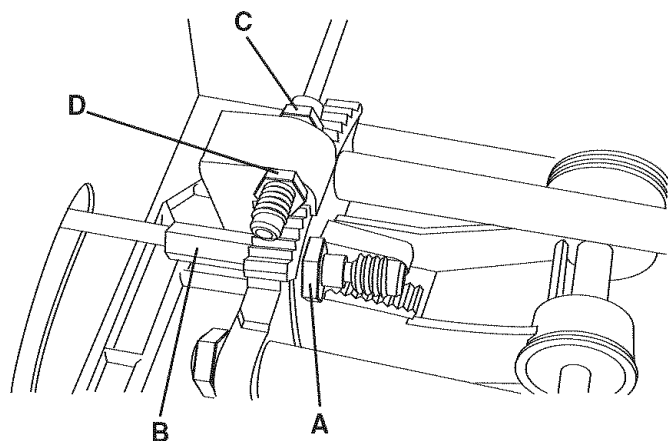
Se deben realizar los siguientes ajustes si se detecta cualquier holgura en los ensamblados de elevación/bajado o inclinación de la hoja.

⚠️ ADVERTENCIA

Coloque el interruptor de energía en "APAGADO" y desenchufe el cordón de energía de su fuente de energía cuando vaya a realizar ajustes.

AVISO: En la siguiente ilustración, la sierra de mesa ha sido colocada boca abajo y se ha quitado la hoja de la sierra para mayor claridad.

Figura 28-1



1. Para ajustar el ensamblado de elevación/bajado de la hoja, afloje la tuerca de cierre (A) y gire el casquillo excéntrico (B) hasta haber quitado toda la holgura del ensamblado. Luego apriete la tuerca de cierre de nuevo. Ver la figura 28-1.
2. Para ajustar el ensamblado de inclinación de la hoja, apriete la tuerca de cierre (C) y gire la excéntrica (D) hasta haber quitado toda la holgura del ensamblado. Luego apriete la tuerca de cierre de nuevo. Ver la figura 28-1.

PRECAUCIÓN

Durante el moldurado a contrahilo debe hacerse uso de la escuadra de ingletes. La velocidad de alimentación debe reducirse al final del corte para impedir el astillado.

En todos los cortes, preste atención al grano, haciendo los cortes en la misma dirección que el grano siempre que sea posible.

PROTEGIENDO LA MESA DE HIERRO MOLDEADO CONTRA LA OXIDACIÓN

⚠️ ADVERTENCIA

ASEGÚRESE de haber apagado la energía ("OFF") y desenchufe el cordón de potencia de su fuente de energía.

El medio ambiente y la frecuencia del contacto humano pueden tener un efecto sumamente nocivo sobre las superficies de hierro moldeado sin pintar. El vaho, la humedad y los aceites (provenientes de la mano humana) pueden hacer que las superficies de hierro moldeado sin pintar se dañen o se oxiden, así que resulta importante llevar a cabo mantenimiento rutinario para que su sierra de mesa se conserve como nueva. La limpieza y el encerado de las superficies de hierro moldeado, siguiendo un programa de mantenimiento regular, se recomiendan como sigue:

Para limpiar y mantener las superficies de hierro sin pintar:

- Aplique una capa gruesa de WD-40 sobre la superficie de hierro moldeado sin pintar.
- Utilice una almohadilla de lana de acero fina para pulir el hierro moldeado sin pintar. Asegúrese de pulir en sentido "del frente a parte posterior" solamente. El pulido de lado a lado aparecerá en el hierro finamente moldeado como una lacra, defecto o ralladura.
- Vuelva a aplicar WD-40 para pulir la superficie de hierro moldeado sin pintar hasta que haya quitado las manchas o la oxidación. Asegúrese de usar el mismo movimiento de frotación del frente a parte posterior para evitar rayar o dañar la superficie de hierro moldeado.
- Después de haber quitado todas las manchas y/o oxidación, limpie todo el aceite y suciedad de la sierra de mesa, utilizando para ello un paño o trapo suave.
- Finalmente, necesita aplicar una cera automotriz en pasta de buena calidad a todas las superficies de hierro moldeado sin pintar. Esto le ayudará a proteger la sierra contra la oxidación como resultado del contacto adicional con la humedad o las manos aceitosas.

LUBRICACIÓN

La sierra de mesa tiene cojinetes lubricados sellados en la carcasa del motor que no requieren lubricación adicional por parte del operario.

LIMPIEZA

Con la sierra de mesa desenchufada, sople aire a baja presión sobre el motor para quitar el polvo o la suciedad. No debe hacerse uso de una presión de aire en exceso de 50 P.S.I., ya que el aire de alta presión puede dañar el aislamiento. El operario debe utilizar protección ocular siempre cuando vaya a utilizar aire comprimido.

No permita que se acumulen astillas y polvo debajo de la sierra de mesa. Mantenga la zona limpia y en buen estado.

PRECAUCIÓN: NO UTILICE MATERIALES INFLAMABLES para limpiar la sierra de mesa.

ADVERTENCIA

Sólo personal competente debe realizar reparaciones a la sierra de mesa. Comuníquese con su Centro de Servicio Sears más cercano para obtener servicio autorizado. Las reparaciones desautorizadas o el reemplazo con piezas que no sean de fábrica podrían ocasionar lesiones graves al operario y daño a la sierra de mesa.

GUÍA DE LOCALIZACIÓN DE AVERÍAS

Para evitar herirse a sí mismo o dañar la sierra de mesa, conmute el interruptor de energía a "APAGADO" y desenchufe el cordón de potencia del tomacorrientes antes de realizar cualquier ajuste.

PROBLEMA	CAUSAS POSIBLES	SOLUCION
Motor no arranca:	<ol style="list-style-type: none"> 1. Interruptor no fue oprimido a suficiente profundidad o interruptor en posición de apagado. 2. Interruptor defectuoso. 3. Capacitador defectuoso. 4. Bajo voltaje de línea. 5. Motor defectuoso. 	<ol style="list-style-type: none"> 1. Presione el interruptor fi pulg. hacia adentro o asegúrese de que el interruptor esté en la posición de "encendido". 2. Haga reemplazar el interruptor. 3. Haga reemplazar el capacitador. 4. Corrija la condición de bajo voltaje de línea. Si la sierra está enchufada a una extensión, enchufe la sierra directamente al tomacorrientes. 5. Haga reemplazar el motor. AVISO: El 3 y 4 deben ser realizados por un técnico de servicio competente.
Motor se atasca, se dispara la sobrecarga térmica o se abren los disyuntores de circuito con frecuencia:	<ol style="list-style-type: none"> 1. Sobrecarga del circuito. 2. Bajo voltaje de línea. 3. Sobrecarga del motor. 4. Fusibles incorrectos en los disyuntores de circuito. 5. Cortocircuito del motor; conexiones sueltas o aislamiento gastado en los avances. 	<ol style="list-style-type: none"> 1. Reduzca la carga del circuito (apague otros enseres). 2. Corrija la condición de bajo voltaje de línea. Revise el voltaje de línea con un medidor múltiple. Si la sierra está enchufada a una extensión, enchufe la sierra directamente al tomacorrientes. 3. Reduzca la carga del motor, reduzca la tasa de alimentación del material empujado hacia la hoja. 4. Haga que un electricista competente instale los fusibles correctos en los disyuntores de circuito. 5. Inspeccione las terminaciones en el motor por si hay aislamiento dañado y/o cables cortocircuitados y repóngalos. Revise todas las conexiones de avances de fuerza.
Motor arranca lentamente o no alcanza plena velocidad:	<ol style="list-style-type: none"> 1. Bajo voltaje de línea. 2. Bobinados defectuosos del motor. 3. Capacitador defectuoso. 	<ol style="list-style-type: none"> 1. Corrija la condición de bajo voltaje de línea. Revise el voltaje de línea con un medidor múltiple. Si la sierra está enchufada a una extensión, enchufe la sierra directamente al tomacorrientes. 2. Haga reemplazar el motor. 3. Haga reemplazar el capacitador.
Motor marcha caliente:	<ol style="list-style-type: none"> 1. Circulación de aire restringida debido a la acumulación de polvo. 2. Sobrecarga del motor. 	<ol style="list-style-type: none"> 1. Limpie el polvo y restaure la circulación normal de aire alrededor del motor. 2. Reduzca la carga del motor.
Resulta difícil girar los volantes de mano:	<ol style="list-style-type: none"> 1. La Perilla de Cierre del Volante de Mano no ha sido aflojada. 2. Acumulación de polvo sobre los engranajes de inclinación o biselado dentro del gabinete. 	<ol style="list-style-type: none"> 1. Afloje la Perilla de Cierre del Volante de Mano. 2. Limpie los ensamblados de engranaje de inclinación o biselado.
Escuadra de ingletes no se mueve de manera uniforme:	<ol style="list-style-type: none"> 1. Suciedad en la ranura de la escuadra de ingletes y en la barra de la escuadra de ingletes. 2. Tornillos de fijación en la barra de la escuadra de ingletes están desajustados. 	<ol style="list-style-type: none"> 1. Limpie la ranura y la barra de la escuadra de ingletes. 2. Ajuste los tornillos de fijación en la barra de la escuadra de ingletes.
Material se atasca, se quema o detiene el motor durante el corte a lo largo:	<ol style="list-style-type: none"> 1. Hoja roma. 2. Tabla alabeada o torcida. 3. Guía de corte a lo largo no está paralela a la hoja de la sierra. 	<ol style="list-style-type: none"> 1. Afile o reponga la hoja. 2. Reponga la tabla. 3. Ver "Alineamiento de Guía" en Operación y Ajustes.
La hoja de la sierra no corta correctamente a 90 o 45 grados:	<ol style="list-style-type: none"> 1. Hoja roma. 2. Ajuste incorrecto de la flecha indicadora. 3. Fijación incorrecta de los topes positivos. 	<ol style="list-style-type: none"> 1. Afile o reponga la hoja. 2. Ajuste la flecha indicadora de biselado. 3. Ajuste los topes positivos de 90 y 45 grados.
La guía de corte a lo largo no se mueve de manera uniforme:	<ol style="list-style-type: none"> 1. Montaje incorrecto de la guía de corte a lo largo. 2. Rieles sucios o pegajosos. 	<ol style="list-style-type: none"> 1. Ver "Alineamiento de Guía" en Operaciones y Ajustes. 2. Limpie y aplique cera en pasta a los rieles.
Vibración excesiva de la sierra:	<ol style="list-style-type: none"> 1. Hoja alabeada. 2. Correa de marcha dañada. 3. Superficie de trabajo desigual. 4. La sierra no está montada de manera segura. 	<ol style="list-style-type: none"> 1. Reponga la hoja. 2. Reponga la correa de marcha. 3. Reposicione la sierra en una superficie plana. Ajuste los pies niveladores, si fueron suministrados con la sierra. 4. Apriete toda la ferretería

Get it fixed, at your home or ours!

Your Home

For repair – **in your home** – of **all** major brand appliances, lawn and garden equipment, or heating and cooling systems, **no matter who made it, no matter who sold it!**

For the replacement parts, accessories and owner's manuals that you need to do-it-yourself.

For Sears professional installation of home appliances and items like garage door openers and water heaters.

1-800-4-MY-HOME®
(1-800-469-4663)
www.sears.com

Anytime, day or night
(U.S.A. and Canada)
www.sears.ca

Our Home

For repair of carry-in products like vacuums, lawn equipment, and electronics, call or go on-line for the location of the nearest **Sears Parts & Repair Center.**

1-800-488-1222 Anytime, day or night (U.S.A. only)
www.sears.com

To purchase a protection agreement (U.S.A.)
or maintenance agreement (Canada) on a product serviced by Sears:

1-800-827-6655 (U.S.A.)

1-800-361-6665 (Canada)

Para pedir servicio de reparación a domicilio, y para ordenar piezas:

1-888-SU-HOGARSM
(1-888-784-8427)

Au Canada pour service en français:

1-800-LE-FOYER^{MC}
(1-800-533-6937)
www.sears.ca



© Sears, Roebuck and Co.

® Registered Trademark / ™ Trademark / SM Service Mark of Sears, Roebuck and Co.

® Marca Registrada / ™ Marca de Fábrica / SM Marca de Servicio de Sears, Roebuck and Co.

^{MC} Marque de commerce / ^{MP} Marque déposée de Sears, Roebuck and Co.

© Sears, Roebuck and Co.