



FIUS140IG157

USE AND CARE **EN**

EMPLEO Y MANUTENCION **ES**

UTILISATION ET ENTRETIEN **FR**



See separate insert sheet for more information

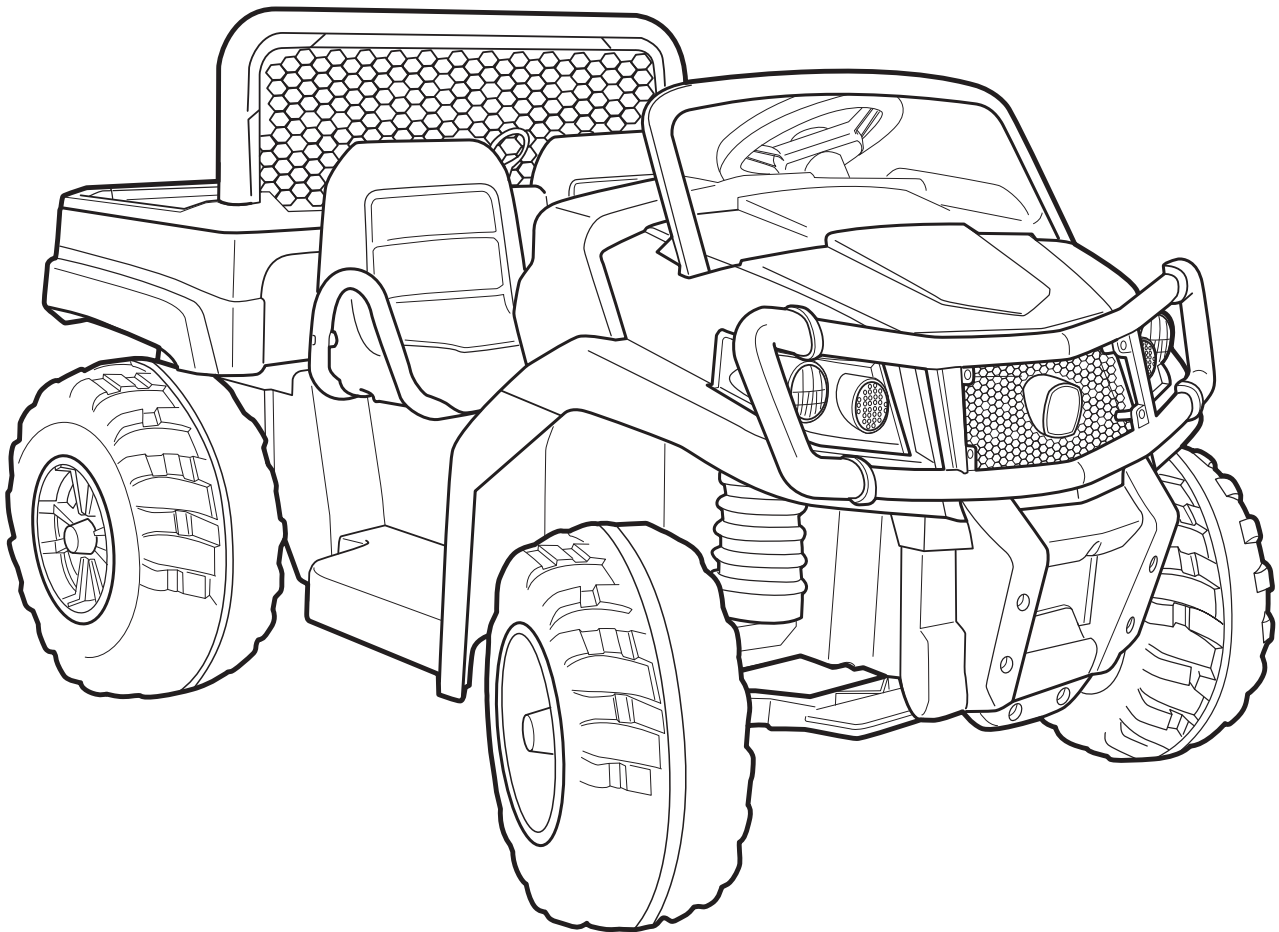


Vea la hoja separada del separador de millares para más información

Voir la feuille séparée d'insertion pour plus d'information



*CONSUMER PARTICIPATION REQUIRED



NOTE: because this manual contains 3 languages, the Assembly illustrations are separate from the Assembly written instructions (Assembly written instructions are several pages deeper into the manual)

NOTA: este manual contiene 3 idiomas, por lo tanto las ilustraciones para ensamblaje estan aparte de las instrucciones de ensamblaje escritas (Las instrucciones de ensamblaje escritas estan varias paginas adelante en el manual).

NOTE: puisque ce manuel est traduit en 3 langues, les illustrations d'assemblage ne se trouvent pas sur la même page que les instructions écrites d'assemblage (les instructions écrites d'assemblage sont quelques pages plus loin dans le manuel).



Model Number IGOD0063



SEE VERBAL INSTRUCTIONS
AFTER THE PICTURES

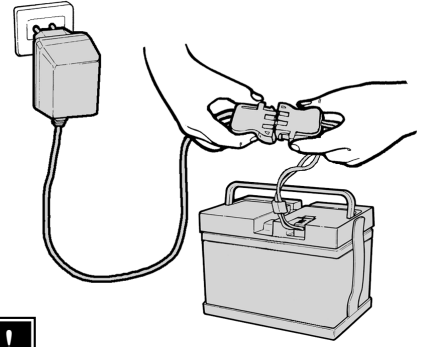
VER LAS INSTRUCCIONES
DESPUÉS DE LOS DISEÑOS

VOIR LES INSTRUCTIONS APRÈS
LES DESSINS

INITIAL BATTERY CHARGE

PRIMERA CARGA DE LA
BATERÍA

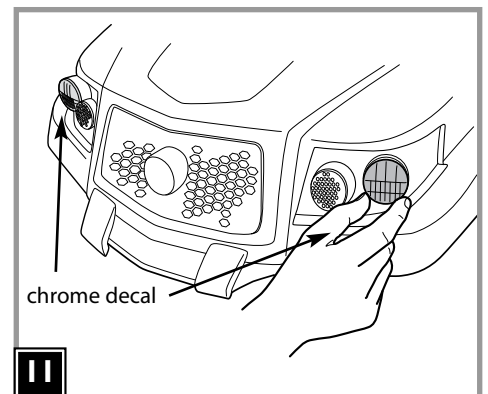
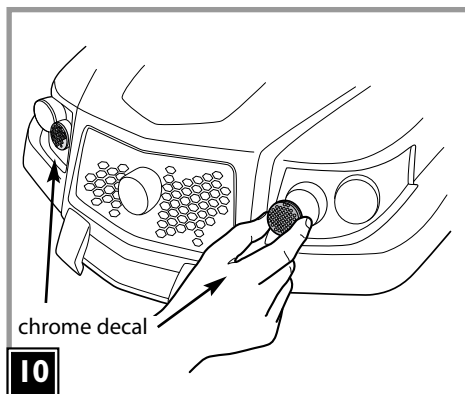
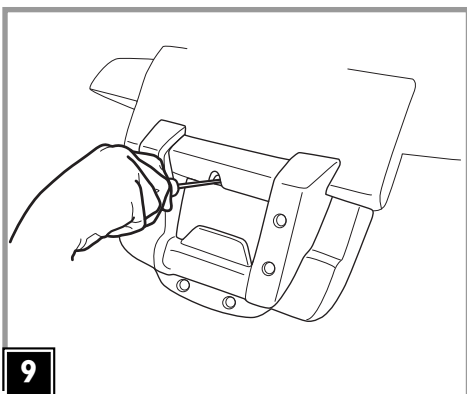
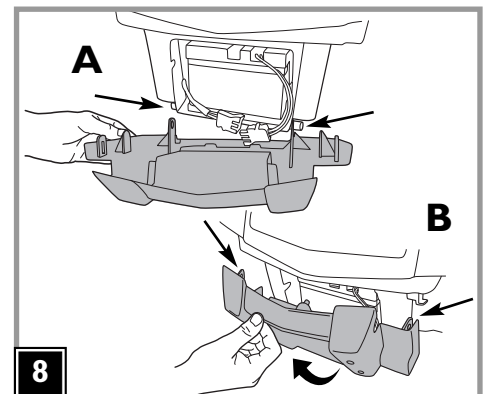
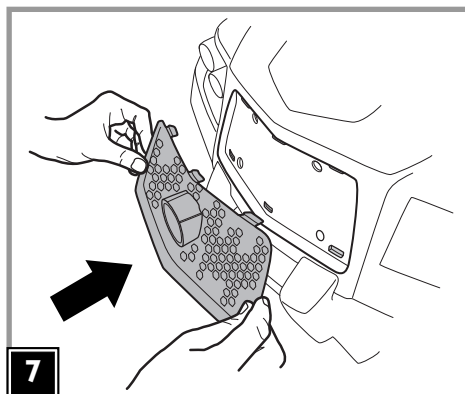
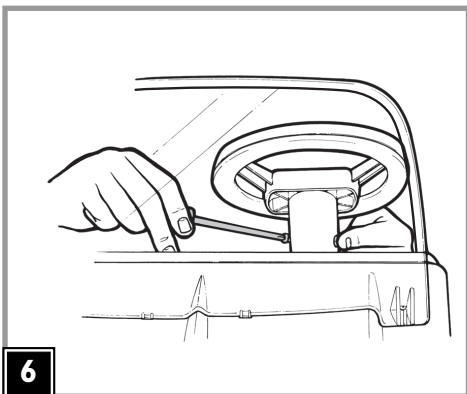
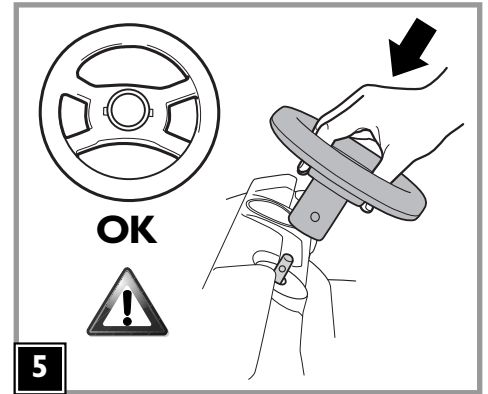
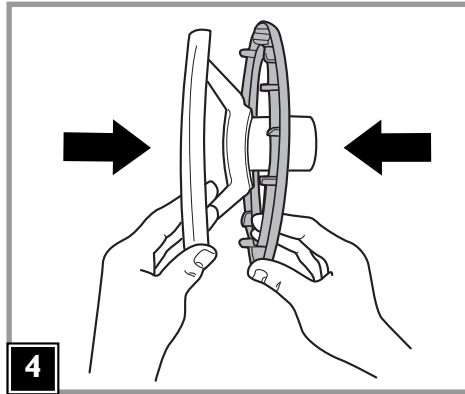
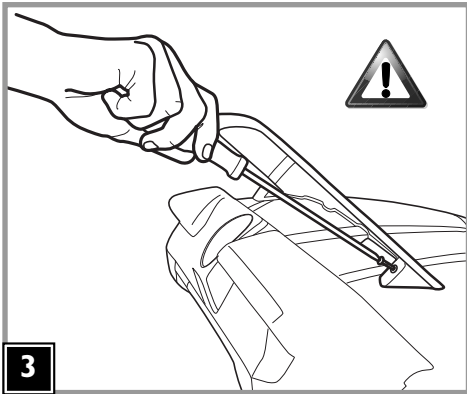
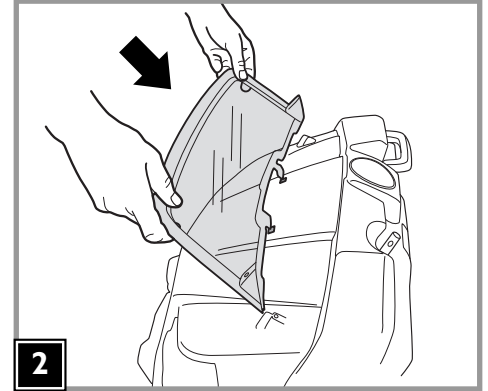
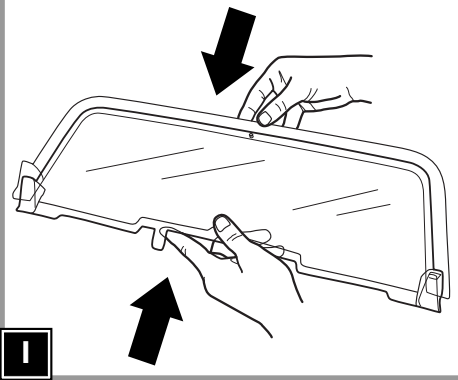
PREMIÈRE CHARGE DE
BATTERIE

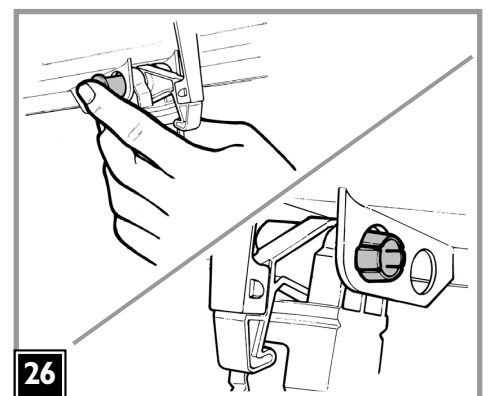
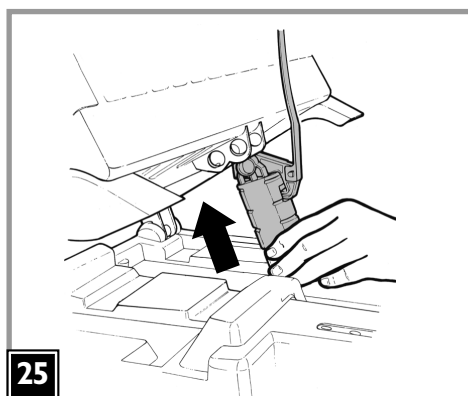
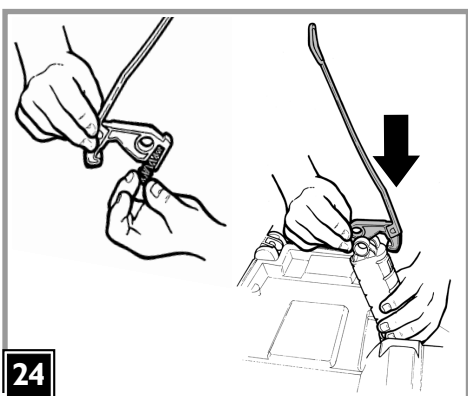
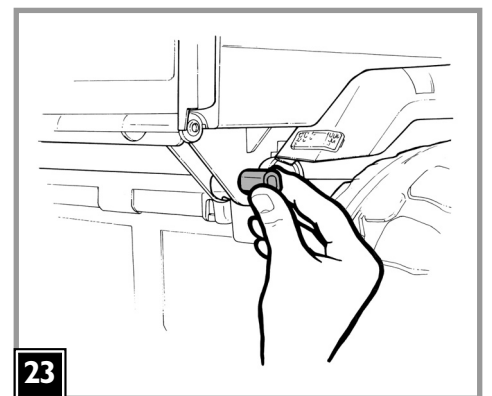
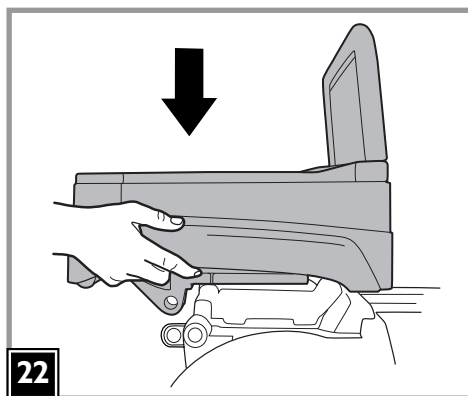
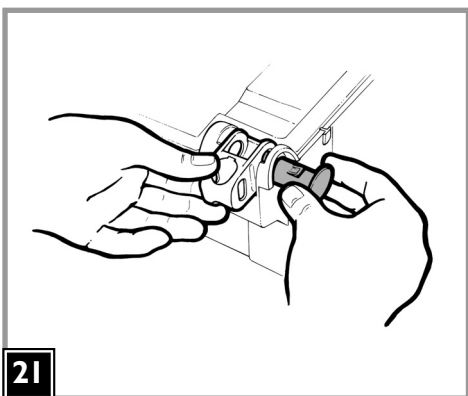
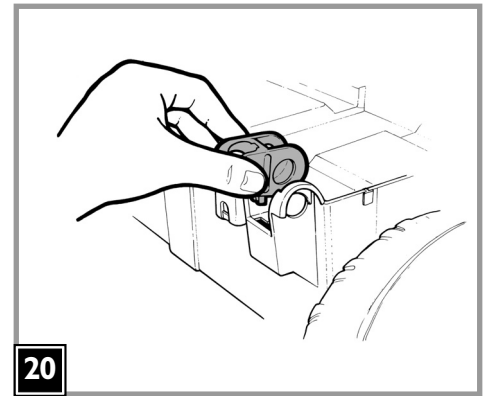
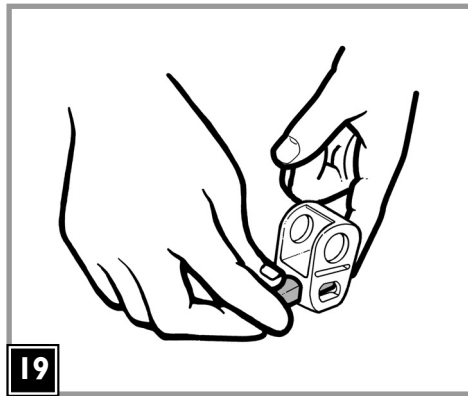
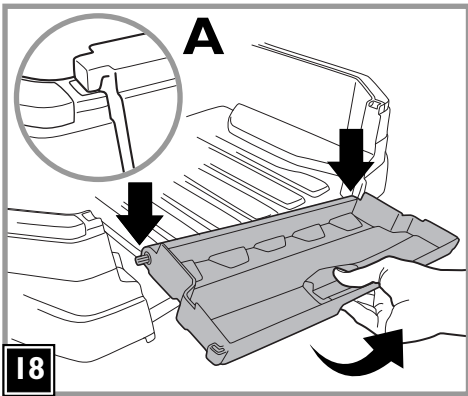
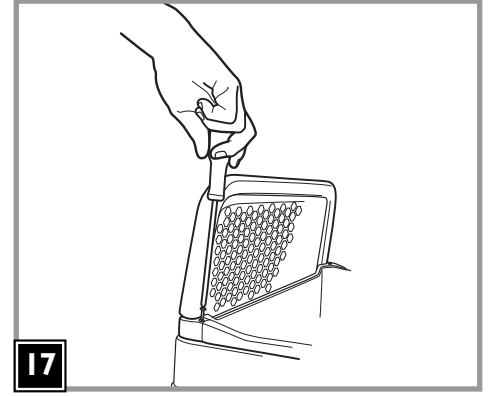
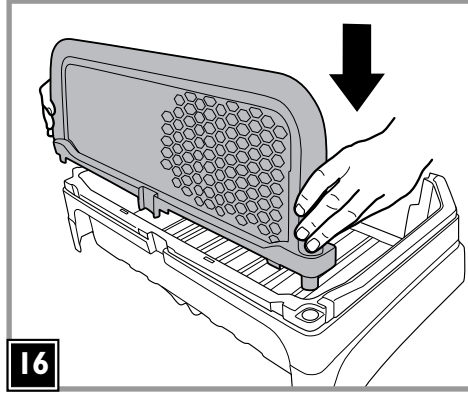
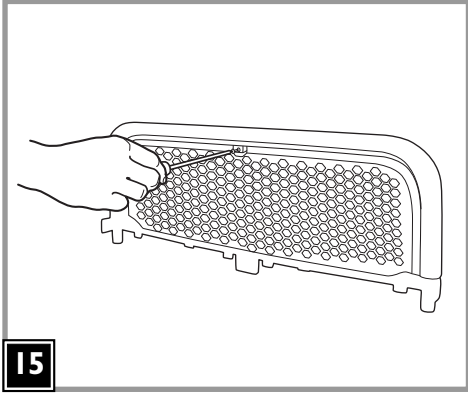
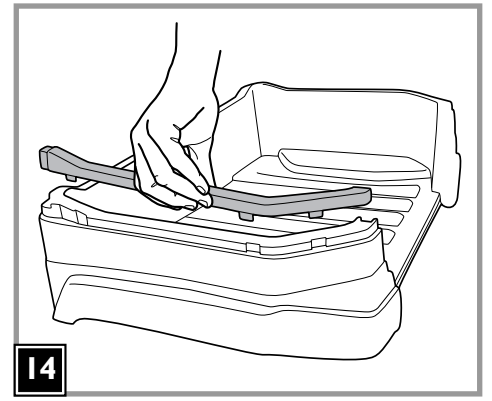
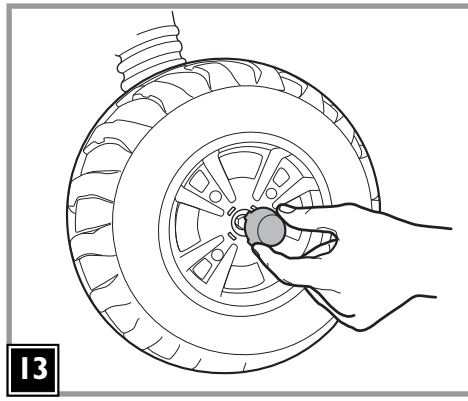
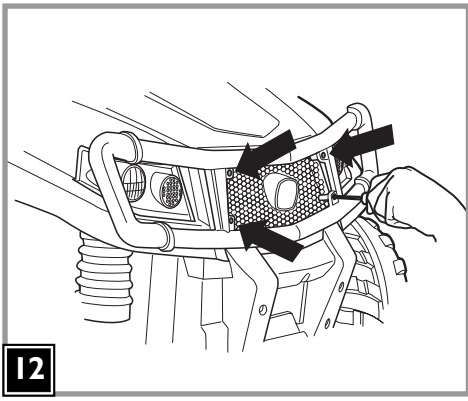


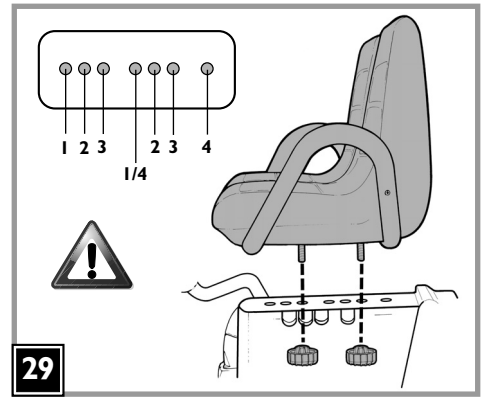
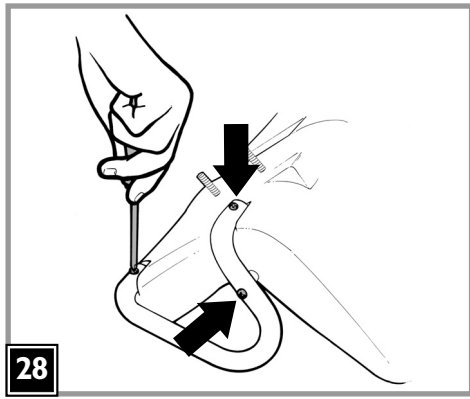
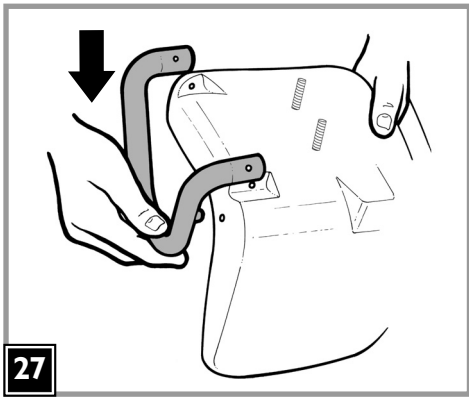
ASSEMBLY

MONTAJE

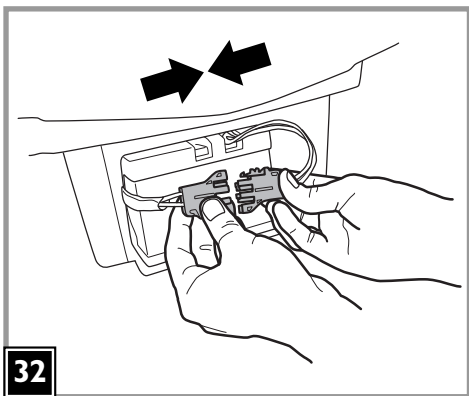
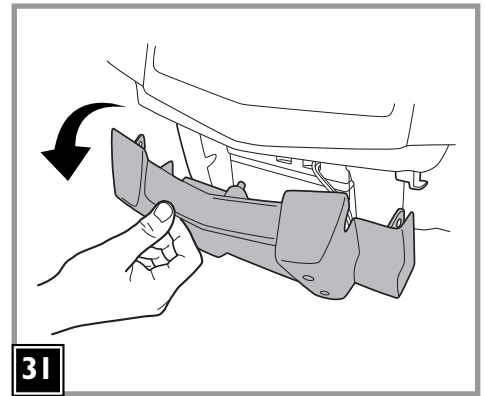
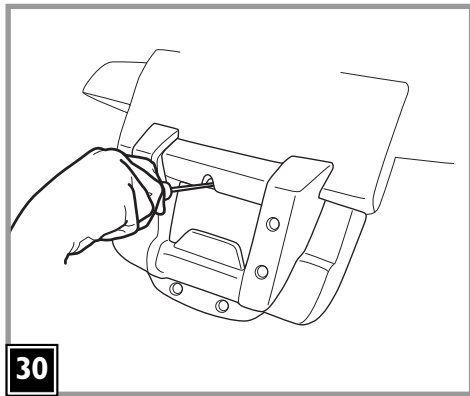
MONTAGE



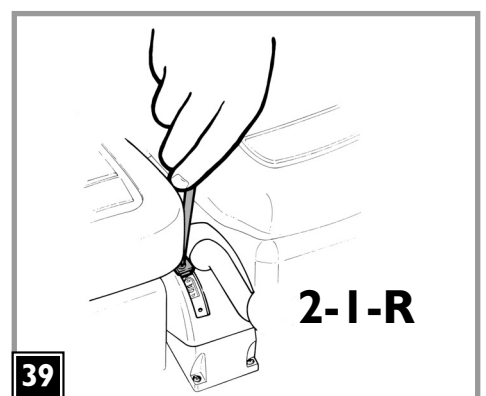
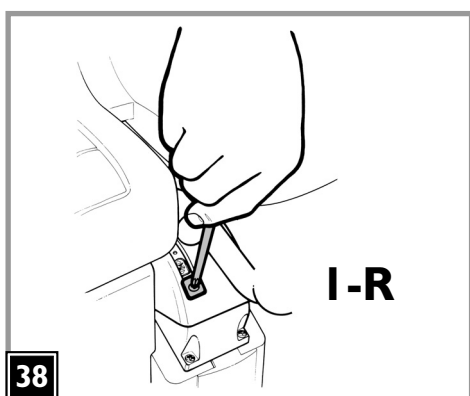
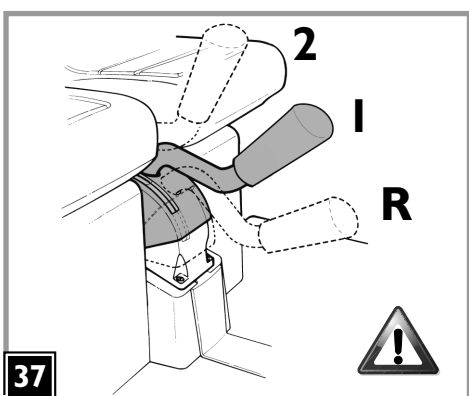
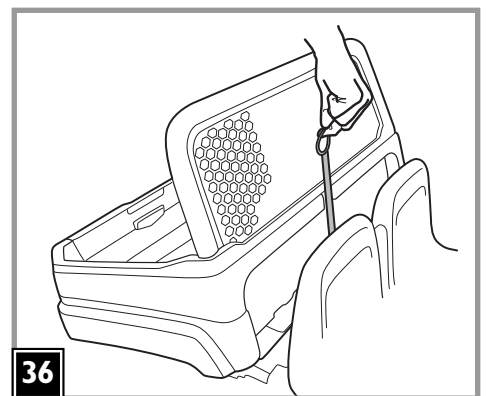
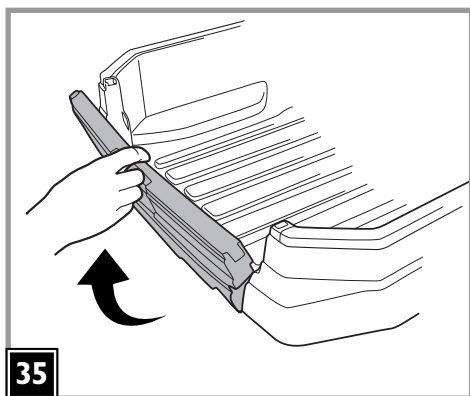
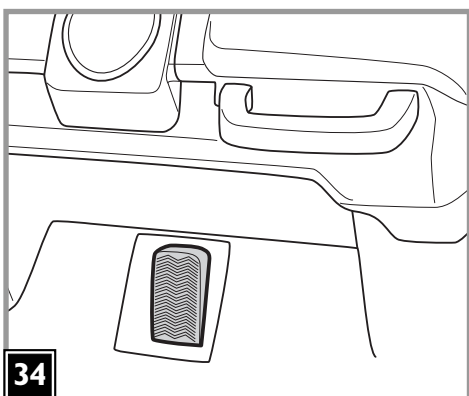
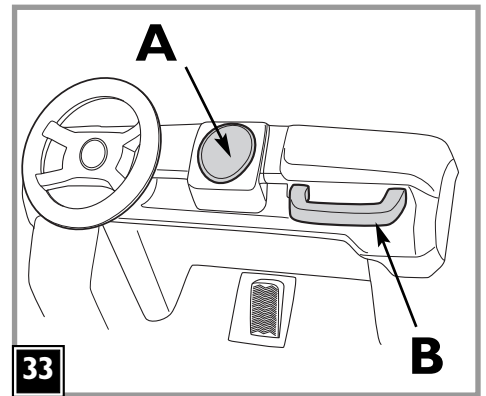




BATTERY INSTALLATION
INSTALACION DE LA BATERÍA
INSTALLATION DE LA BATTERIE



VEHICLE FEATURES AND INSTRUCTIONS FOR USE
CARACTERÍSTICAS Y USO DEL VEHÍCULO
CARACTÉRISTIQUES ET UTILISATION DU VEHICULE

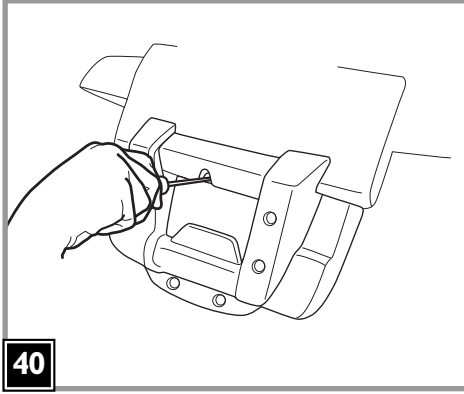


BATTERY REPLACEMENT

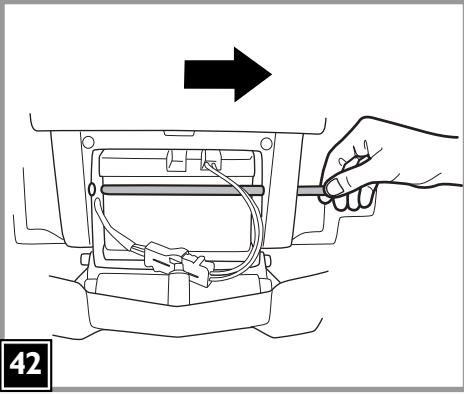
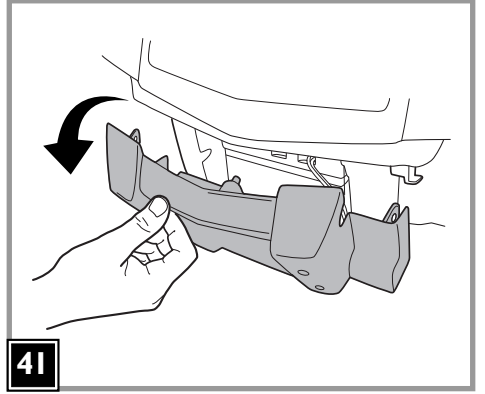
CAMBIO DE LA BATERÍA

REPLACEMENT DE LA BATTERIE

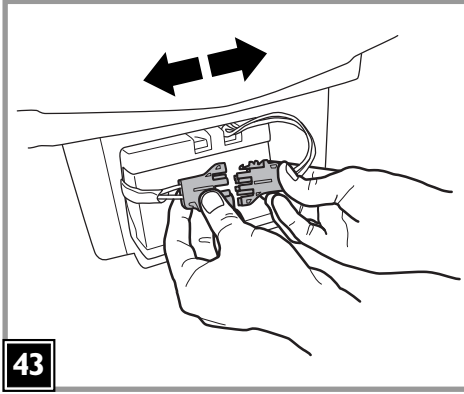
40



41



42

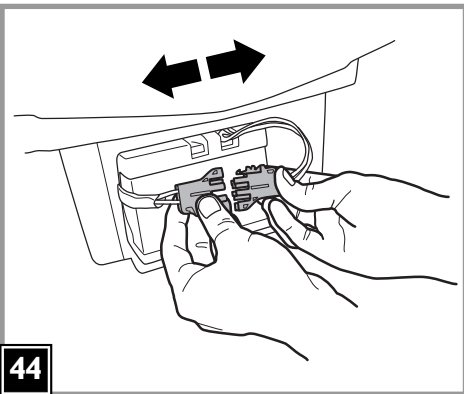


43

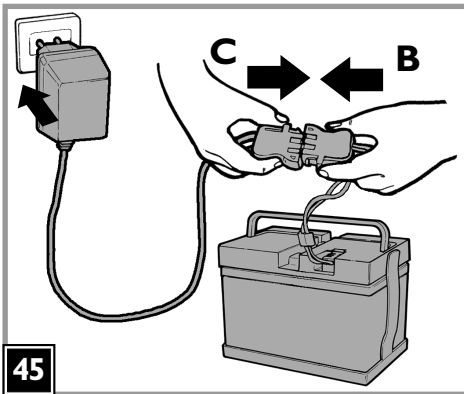
BATTERY RECHARGE

CARGA DE LA BATERÍA

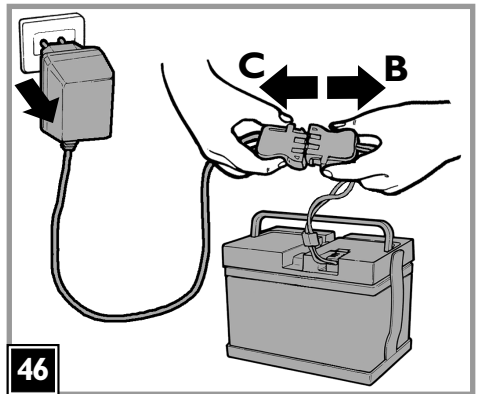
CHARGE DE LA BATTERIE



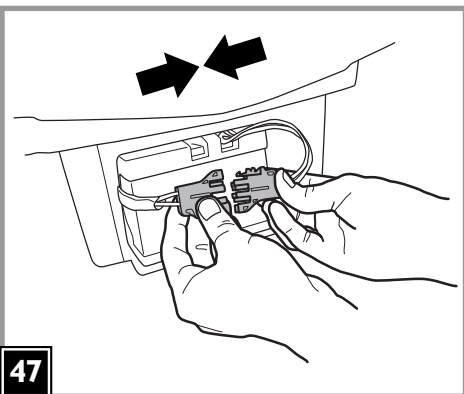
44



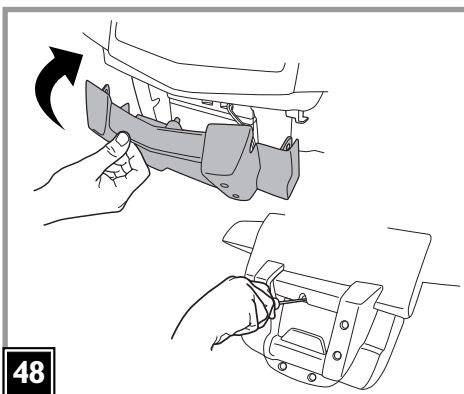
45



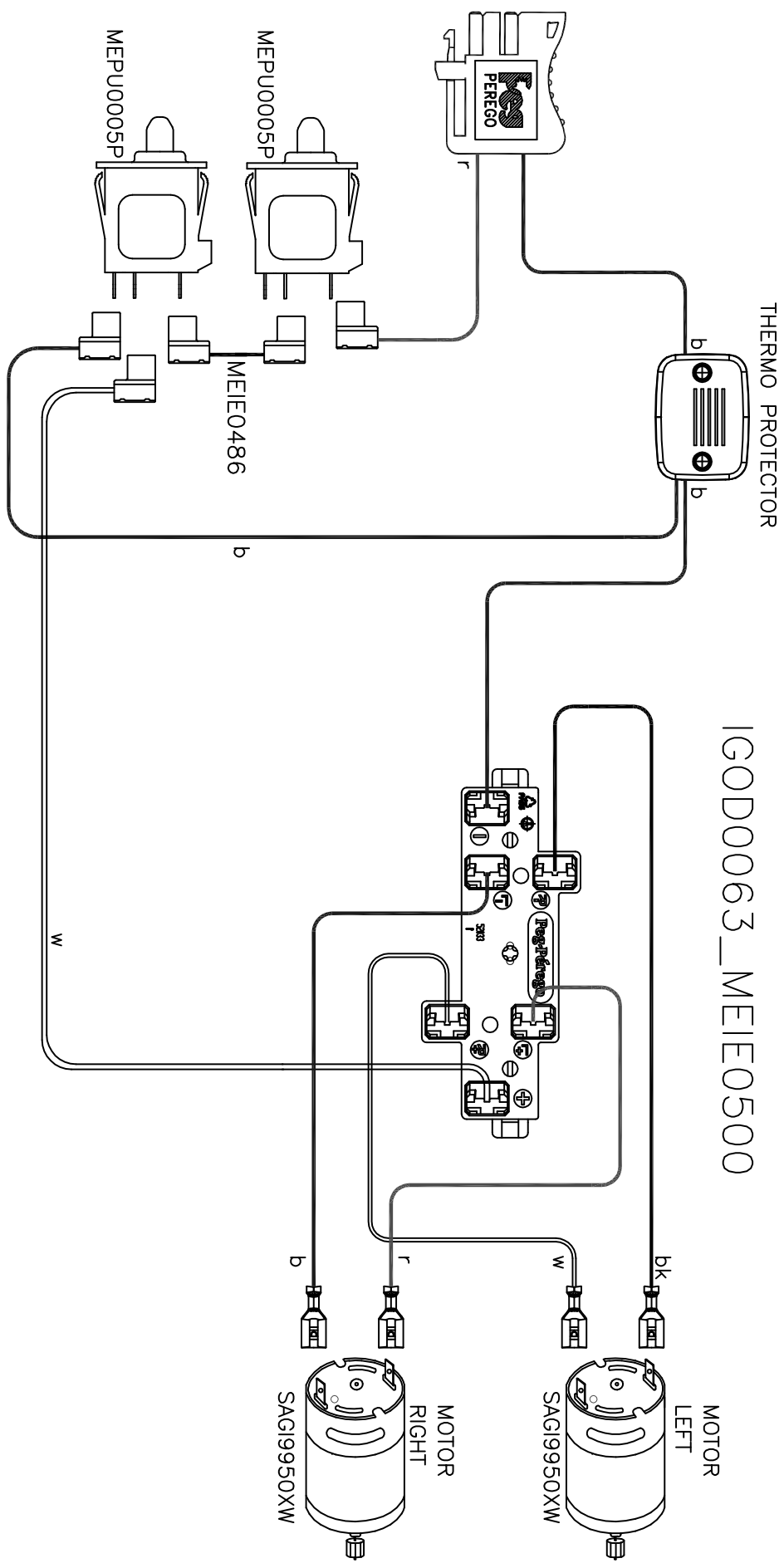
46



47



48



IGODD0063_MEIE0500

- | | | | | | |
|-----------|---------|-----------|----------|-----------|---------|
| B | = blue | B | = azul | B | = bleu |
| BK | = black | BK | = negro | BK | = noir |
| R | = red | R | = rojo | R | = rouge |
| W | = white | W | = blanco | W | = blanc |

REPLACEMENT PARTS

PIEZAS DE RECAMBIO

PIÈCES DE RECHANGE

- 1 SPST9251N
- 2 SPST9250
- 3 SPST8211Y
- 4 ASG10217NY
- 5 SARP8093Y
- 6 SPST9249N
- 7 SAG18122DN
- 7L SAG18122SN
- 8 SPMV9252N
- 9 SPST9240VB
- 10 SPST9239VB
- 11 SPST9241DN
- 11L SPST9241SN
- 12 SPST8100KN
- 13 SARP9254DNY
- 13L SARP9254SNT
- 14 SPST9236Y
- 15 SPST8398N
- 16 SARP9253DNY
- 16L SARP9253SNT
- 17 IAK60501
- 18 SPST9231N
- 19 SOFF0300L30
- 20 SAG19950XW
- 21 ASG10230N
- 22 MIE0500
- 23 SPST9235Y
- 24 SOTF0087L30
- 25 SPST8119R
- 26 SPST9234N
- 27 SPST8091WN
- 28 SPST9033A
- 29 SPST9248
- 30 SPST9233DN
- 30L SPST9233SN
- 31 SPST9232JN
- 32 SPST9357N
- 33 SPST8105N
- 34 SPST8106N
- 35 ASG10136VBN
- 36 SPST8147N
- 37 SAG13977XY
- 38 SPST9230VB
- 39 ASG10231NIN
- 40 SPST8207R
- 41 SAG18217R
- 42 SPST8126R
- 43 SPST8202N
- 44 SPST8108N
- 45 MIEV0802
- 46 MIECB0086U

DECAL
CALCOMANIAS 45
DECALCOMANIES

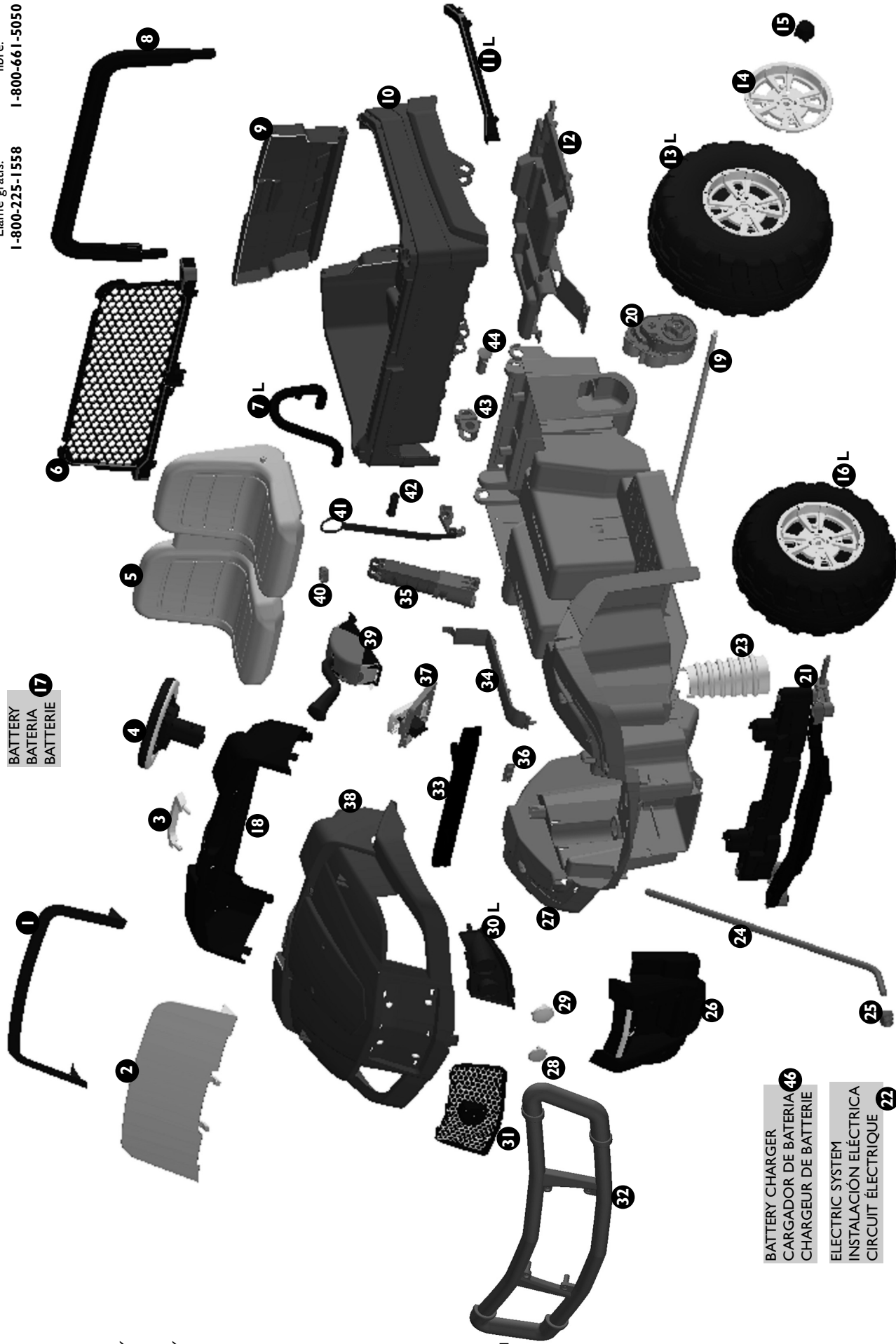
BATTERY
BATERIA 17
BATTERIE

BATTERY CHARGER
CARGADOR DE BATERIA 46
CHARGEUR DE BATTERIE

ELECTRIC SYSTEM
INSTALACIÓN ELÉCTRICA 22
CIRCUIT ÉLECTRIQUE

USA
Call toll free:
1-800-728-2108
Llame gratis:
1-800-225-1558

CANADA
Call toll free:
Appelez le péage
libre:
1-800-661-5050



PEG PEREGO® thanks you for choosing this product. For more than 60 years, PEG PEREGO has been taking children for an outing: first with its famous baby carriages and strollers, later with its pedal and battery operated children's vehicles.

Discover our complete range of products, news and other information about the Peg Perego world on our web site www.pegperego.com

IMPORTANT INFORMATION

- Read this instruction manual carefully to learn the use of the vehicle and to teach your child safe and enjoyable driving. Please keep this manual (with your original sales receipt) for use as a reference in the future.
- **DO NOT RETURN YOUR VEHICLE TO THE STORE. This product cannot be returned for a refund after it has been used. If you have ANY questions, need replacement parts or need assistance, call us toll-free; U.S.A. , call 1-800-728-2108 / CANADA, call 1-800-661-5050**
- This product meets and/or exceeds all ASTM (American Society for Testing and Materials) TOY SAFETY STANDARDS, including F 963, Consumer Toy Safety Specifications as well as C.R.C, c.931, the Canadian Hazardous Products (Toys) Regulations.
- Tools needed for assembly: Phillips screwdriver medium and small (not included)
- Your new vehicle is partially pre-assembled. It will require adult assembly. Please set aside at least 60 minutes for assembly.
- Before the vehicle is used for the first time, charge the battery for 18 hours to initiate it. Failure to do this can result in permanent battery damage.
- Use only with the included Peg Perego 12 Volt lead-acid, rechargeable battery and a Peg Perego 12 Volt Charger (both included).

• Year 3+

• Weight capacity 130 lbs

- Do not exceed the maximum total weight capacity of 130 lbs (59 Kg). This includes both riders and cargo.

Contents:

- 1 GATOR XUV 550 children's riding vehicle -- partially assembled
- 1 Rechargeable 12V sealed lead-acid battery
- 1 Charger 12V
- 2 heavy duty 170 W motors -- pre installed
- assembly hardware
- parts to be assembled
- decals

- LOW speed: 2^{1/4} mph - HIGH speed: 4^{1/2} mph - Reverse: 2^{1/4} mph

- For safety, this vehicle has been pre-set so it will only operate in LOW speed. See steps 38 - 39 to remove the HIGH speed lock-out.
- To prevent damaging the motor and gears, teach your child to stop the vehicle before switching directions.
- Use this vehicle ONLY outdoors. Most interior flooring can be damaged by riding this vehicle indoors. Peg Perego will not be responsible for damage to the floor if the vehicle is used indoors.
- Peg Perego reserves the right to modify or change its products. Price, literature, manufacturing processes or locations or any combination of the above mentioned entities may change at any time for any reason without notice with impunity.

⚠ CAUTION:

ELECTRIC VEHICLE NOT RECOMMENDED FOR CHILDREN UNDER 3 YEARS OF AGE. AS WITH ALL ELECTRIC PRODUCTS, PRECAUTIONS SHOULD BE OBSERVED DURING HANDLING AND USE TO PREVENT ELECTRIC SHOCK. RECHARGER INCLUDED. 120 VOLTS, 60Hz, 33W INPUT, 12 VOLTS (DC) OUTPUT.

⚠ CAUTION:

Only adults should recharge batteries never children.

Never allow children to handle batteries.

Only use the batteries specified by the manufacturer. Only use the charger specified by the manufacturer.

Do not mix old and new batteries.

Do not mix alkaline, standard (carbon-zinc), or rechargeable (nickel-cadmium) batteries.

CHARGING THE BATTERY

- Charge the battery no longer than 24 hours, following the instructions enclosed with the battery charger.
- Charge the battery, as the vehicle shows low power, in this way you will avoid damage to the battery.
- If you don't use your vehicle for a long period of time unplug the battery from the main wire harness of the vehicle. Remember to charge the battery at least every three months.
- Never charge the battery upside down.
- Do not forget batteries during charging! Check them periodically.
- Never use a replacement recharger or batteries unless they are approved by PEG PEREGO.
- Batteries are sealed and maintenance free.
- Battery polarity must be observed when connecting battery to wiring.

⚠ WARNING:

• BATTERIES CONTAIN TOXIC AND CORROSIVE SUBSTANCES. DO NOT TAMPER WITH THEM.

• Batteries contain an acid-based electrolyte.

• Do not make direct contact between battery terminals, as this can cause an explosion or fire.

• Charging produces explosive gases. Charge batteries in a well ventilated area away from sources of heat and flammable materials.

• Exhausted batteries are to be removed from the vehicle.

• Do not place the batteries near clothing to avoid damage.

IF A LEAK DEVELOPS

Shield your eyes. Avoid direct contact with the electrolyte, protect your hands.

Place battery in a plastic bag and follow directions listed below.

IF ELECTROLYTE COMES IN CONTACT WITH SKIN OR CLOTHING

Flush with cool water for at least 15 minutes.

See a physician at once.

IF ELECTROLYTE IS INJECTED

Give tap water, milk of magnesia or egg whites at once.

Do not induce vomiting.

See a physician at once.

DISPOSAL OF BATTERIES

Help protect the environment!

Do not throw used batteries in your regular, household trash.

Dispose of the old batteries in an approved dumping station; contact your local environmental protection agency office for further information.



INITIAL BATTERY CHARGE

! Remove battery and charger from packaging. Connect battery charger to a 120vac wall receptacle. Connect battery charger to battery.

ASSEMBLY INSTRUCTIONS

CAUTION:

ADULT ASSEMBLY REQUIRED.

USE CARE WHEN UNPACKING AS COMPONENTS TO BE ASSEMBLED MAY POSE A SMALL PARTS/SHARP EDGE HAZARD.

BATTERY IS INCLUDED AND MUST BE INSTALLED; see instructions 30 - 32

- 1 • Insert black windshield frame onto the clear windshield until the clear center pin snaps into the hole.
- 2 • Place windshield on the hood as shown.
- 3 • Attach windshield to hood with 2 screws. (Install dash decals before installing steering wheel)
- 4 • Assemble the 2 steering wheel components and press firmly together.
- 5 • Place steering wheel onto steering column tube and align bolt holes.
- 6 • Insert bolt into round hole and locknut into hexagon shaped hole. Tighten bolt with screwdriver.
- 7 • Install the front grill into hood until it snaps into place.
- 8 • Attach front bumper - battery cover; (A) place lower bumper holes onto chassis pins and (B) rotate up until it snaps closed.
- 9 • Secure with screw (after battery is charged) to keep children away from battery.
- 10 • Headlight lens; apply chrome decals, then press amber lens into sockets
- 11 • Headlight lens; apply chrome decals, then press clear lens into sockets
- 12 • Screw the brush guard with the four screws
- 13 • Press 4 small hubcaps into wheels.
- 14 • Install black trim to dump bed (both sides).
- 15 • Assemble roll-bar mesh to roll-bar and secure with the small screw provided.
- 16 • Place roll-bar ends into the holes at the front of the dump bed and push down.
- 17 • Secure it with the 2 screws provided.
- 18 • Install tailgate; insert tailgate left pin into left hole in bed; gently but firmly press down on right side until right pin enters right hole.
- 19 • Install bed: Forcefully remove the 2 oval pins from the 2 black rear dump bed hinge brackets.
- 20 • Place the round hole end of the black bracket into the hinge flange on the chassis; the oval hole to the rear and the ¼" flat extrusion pointing down into the chassis slot.
- 21 • Align the holes and insert the round black plastic pins (both sides).
- 22 • Set the bed on the chassis; align the oval bracket holes with the round bed flange holes (both sides).
- 23 • Insert oval plastic pins to secure the bed to the chassis (both sides).
- 24 • Connect the spring and the red fastener as shown in the figure. Lift up the piston and insert the red fastener into the upper part as shown in the figure.
- 25 • Keep the piston up. Align the piston hole with the FRONT hole of the bed flange (see figure)
- 26 • Secure it with the red plastic pin.
- 27 • Apply the two armrests to the sides of the double seat.
- 28 • Secure both armrests with the three screws provided.
- 29 • Place the double seat in line with the appropriate holes, depending on the height of the child, and secure it from underneath with the four knobs. The Gator can be set up in 4 positions (see diagram).

BATTERY INSTALLATION

WARNING:

WARNING: BATTERY CHARGING AND ANY OTHER OPERATION ON THE ELECTRICAL SYSTEM MUST BE CARRIED OUT BY ADULTS ONLY. THE BATTERY CAN ALSO BE CHARGED WITHOUT REMOVING IT FROM THE VEHICLE.

- 30 • Unscrew the battery cover.
- 31 • Unfasten the battery cover and open it.
- 32 • Connect the battery plug to the electrical system. The vehicle is ready to use.

VEHICLE FEATURES AND INSTRUCTIONS FOR USE

- 33 • **A - DRINK HOLDER:** a conveniently placed drink holder is located on the dashboard.
- B - HAND GRIP:** passengers can hold onto the hand grip for maximum safety while using the vehicle.
- 34 • **ELECTRIC ACCELERATOR & BRAKE PEDAL :** when accelerator is pressed completely down, forward motion is activated. Brake activates automatically when the child takes his foot off the accelerator.
- 35 • **TAILGATE:** The load box is supplied with a tailgate with drop-down opening. To lower the tailgate, pull it up and roll it outwards.
- 36 • **DUMP BED:** The dump bed can carry objects for a maximum of 22 lbs. To operate the dump bed, pull upward on red latch and unlock it as shown in the figure.
- 37 • **GEARSHIFT POSITIONS:** 3 positions; **Center;** 2¼ mph forward, **Up;** 4 ½ mph (NOTE: vehicle is shipped with 4 ½ mph speed LOCKED-OUT for SAFETY. Parents must follow instructions 38 and 39 to activate high speed. **Down;** reverse (gearshift must be held in the down position for safety; we never want a child to step on the accelerator and go in reverse when they think they will go forward).
- 38 • Unscrew safety screw to release the high speed lockout pin.
- 39 • Secure the high speed lockout pin in the second hole as shown in the figure. The vehicle can now be shifted to 2nd speed. If you do not want your child to use the second speed, secure the high speed lockout pin in the first hole.

BATTERY REPLACEMENT (if you've purchased a 2nd battery for extended riding time)

- 40 • Unscrew the battery cover.
- 41 • Unfasten the battery cover and open it.
- 42 • Release the battery lock
- 43 • Disconnect the plugs and remove the discharged battery. Insert a fully charged battery and repeat the procedure in reverse order.

BATTERY RECHARGE

- 44 • Unfasten the battery cover and open the battery compartment. Disconnect the electrical system plug (A) from the battery plug (B) by pressing on the sides of the plugs and pulling apart.
- 45 • Plug the battery charger into a household electrical outlet. Connect battery plug (B) to charger plug C. NOTE: Press firmly until it snaps into place.
- 46 • After battery has finished charging (full charge takes 18-24 hours), disconnect battery charger from the electrical outlet and then disconnect the battery plug (B) from the charger plug (C).
- 47 • Reconnect electrical system plug (A) to battery plug (B). NOTE: Press firmly until it snaps into place.
- 48 • Close the battery compartment, fastening the battery cover shut. ATTENTION: Always make sure that the battery compartment is closed and locked after carrying out any operations inside it.

RULES FOR SAFE DRIVING

DON'T STOP THE FUN: Purchase a spare battery to have a freshly charged back-up available or purchase a Quick Charge recharger to recharge your battery in 2 hours.

For your child's safety: please read and follow all instructions below before operating.

HIGH SPEED

Initially we suggest using only the LOW speed setting and the reverse gear. Before moving into HIGH speed setting be sure that the child has become familiar with operating the vehicle.

•**LOW SPEED** setting (beginner drivers):

With both hands on the steering wheel, press down on the accelerator pedal; the vehicle goes forward at 2^{1/4} mph.

•**HIGH SPEED** setting (experienced drivers):

With both hands on the steering wheel, press down on the accelerator pedal; the vehicle starts out at 2^{1/4} and then goes forward at 4^{1/2} mph. Let up on the accelerator pedal halfway and the vehicle will "downshift" to 2^{1/4} mph.

•**REVERSE:**

Place the left hand on the steering wheel. With the right hand holding the gearshift in reverse, press down on the accelerator pedal; the vehicle reverses at 2^{1/4} mph. (Reverse is spring-loaded for safety).

•**BRAKE:** The electric braking system stops the vehicle automatically when your child lifts his foot off the pedal.

Teach your child the proper use of this vehicle for a safe and fun play time.

- Before starting be sure that the way is free from people and objects.
- Drive with both hands on the steering wheel and keep your eyes on the road at all times.
- Stop in time to avoid accidents and immediately release pedal when stuck.
- Use the 2nd speed only after your child has the maturity and the reflexes to operate the vehicle safely.

CAUTION:

- **In low speed, the vehicle has a differential effect like real cars; on smooth terrain and with one child, the two wheels may turn at different speeds, resulting in possible sliding/deceleration.**
- **If the vehicle is overloaded, as can happen on soft sand, mud, or very uneven ground, the overload switch will immediately disconnect the power. The power supply will be restored after a few seconds.**

VEHICLE MAINTENANCE AND SAFETY

This product meets and/or exceeds all ASTM (American Society for Testing and Materials) TOY SAFETY STANDARDS, including F 963, Consumer Toy Safety Specification.

This vehicle is not intended for use on streets, around traffic or parked cars.

MAINTENANCE AND CARE

- Regularly check the conditions of the vehicle, particularly the electrical system, the plug connections, the covering caps and the charger. In case of fault, do not try to use the vehicle and the charger. For repair use only original PEG PEREGO's spare parts.
- PEG PEREGO assumes no liability if the electrical system is tampered with.
- Do not leave vehicle or batteries near sources of heat such as radiators, stoves, fireplaces, etc.
- Protect vehicle from water, rain, snow, etc.
- When operating in overload conditions, such as soft deep sand, mud or rough uneven terrain, the overload circuit breaker will automatically disconnect the power. After 10 or more seconds, the circuit breaker will automatically reset, however you must eliminate overload conditions to resume normal driving.
- Periodically lubricate (with a light weight oil) moving parts, such as wheel bearings, steering linkages, where they rotate or touch one another.
- The vehicle's surfaces can be cleaned with a dampcloth. Do not use abrasive cleaners. The cleaning must be carried out by adults only.
- Never disassemble the vehicle mechanisms or motor unless authorized by PEG PEREGO.

SAFETY

WARNING:

- To reduce the risk of injury, adult supervision is required. Never use in roadways, near motor vehicles, on or near steep inclines or steps, swimming pools or other bodies of water; always wear shoes, and never allow more than two riders.
- Surfaces that are appropriate for use: grass, gravel, hard surfaces and moderate slopes.
- Not suitable for children under the age of 3 years.
- Never use the vehicle on steep slopes or near steps or stairs. This vehicle is not suitable for use on public highways.
- Children should always wear shoes when riding in or driving a ride-in/ride-on vehicle.
- Do not allow children to place their hands, feet or any part of their body, clothing or other articles near the moving parts while vehicle is in operation.
- Do not allow the electrical components, motors, wiring, switches of your motorized vehicle to become wet and never wash it with a hose.
- Never use gasoline or other flammable substances near the vehicle.

PROBLEMS?

IF THE VEHICLE DOES NOT OPERATE?

- **When operating in overload conditions, such as running the vehicle against a fixed object, through soft deep sand or mud, or over rough or uneven terrain, the overload circuit breaker will automatically disconnect the power. After 10 or more seconds, the circuit breaker will automatically reset, however you must eliminate overload conditions to resume normal driving.**
- Check that all plugs are properly connected.
- Check electrical switches. Replace if necessary.
- Check that the battery is connected to the electrical system.

IF THERE IS NO POWER?

- Fully recharge the battery. If the problem persists, check with an Authorized PEG PEREGO Service Center.

CUSTOMER SERVICE

For your convenience, PEG PEREGO offers after-sales service, directly or through a network of authorized service centers for repairs or replacement parts.

If you have any questions about your Peg Perego vehicle, please call our toll-free service lines at:

U.S.A , call 1-800-728-2108

CANADA, call 1-800-661-5050

Trained customer service representatives are available to take your call in English or Spanish.

PEG PEREGO® le agradece que haya elegido este producto. Hace más de 60 años que PEG PEREGO lleva a pasear a los niños: al nacer, con sus famosos coches-cuna y coches de paseo, después con los fantásticos vehículos de juguete a pedal y con la batería.

Descubre la gama completa de los productos, las novedades y otras informaciones acerca del mundo Peg Perego en nuestra página Web www.pegperego.com

INFORMACIÓN IMPORTANTE

- Lea este manual de instrucción cuidadosamente para aprender el uso del vehículo y para enseñar su conducir seguro y agradable del niño. Guarde por favor este manual (con su recibo original de las ventas) para el uso como referencia en el futuro.
- **NO VUELA SU VEHÍCULO AL ALMACÉN. Este producto no se puede volver para un reembolso después de que se haya utilizado. Si usted tenga los preguntas, necesita piezas de recambio o necesita ayuda, llámenos gratis.**
USA: 1-800-225-1558
- Este producto cumple con y/o sobrepasa los ESTÁNDARES DE SEGURIDAD ASTM TOY, incluido el F 963, Especificaciones de seguridad en juguetes para consumidores y C.R.C, c.931, el Regulaciones Peligrosas Canadienses De los Productos (Juguetes).
- Herramientas necesitadas para el ensamblaje: destornilladores de la Phillips medio y pequeño (no incluido)
- Su vehículo nuevo se premonta parcialmente. Requiere a ensamblaje de un adulto. Puesto a un lado por favor por lo menos 60 minutos para el ensamblaje.
- Antes de utilizar el vehículo por primera vez, cargar la batería durante 18 horas. No respetar este procedimiento podría causar daños irreversibles a la batería, anulando su garantía.
- Utilice solamente con la clavija incluida Peg Perego 12 voltio baterías lead-acid, recargables y una clavija Peg Perego de 12 voltio cargadores (ambos incluidos).

•Años 3+

•Peso transportable 130 lbs/ 59 Kg

- No exceda la capacidad total máxima del peso de 130 libras (59 Kg).

Contenido:

- 1 GATOR XUV 550 vehículo de los niños -- ensamblado parcialmente
- 1 batería sellada recarable de plomo ácido de 12V
- 1 cargador de 12V
- 2 motor de 170 W -- instalado previamente
- dotación física del montaje
- piezas que se montaje
- calcomanías

- Graduación de BAJA velocidad: 2^{1/4} mph - Graduación de ALTA velocidad: 4^{1/2} mph - Marcha atrás: 2^{1/4} mph

- Para la seguridad, se ha preestablecido este vehículo así que funcionará solamente adentro graduación de BAJA velocidad. Vea los pasos de progresión 38 - 39 para quitar el cierre.
- Para evitar el dañar de los motores y de los engranajes, enseñe a su niño a parar la dirección de la conmutación del befor del vehículo.
- Utilice este vehículo al aire libre SOLAMENTE. La mayoría del suelo interior puede ser dañado montando este vehículo dentro. Peg Perego no será responsable de daño al suelo si el vehículo se utiliza dentro
- Peg Perego se reserva el derecho de aportar modificaciones a sur productos. El precio, el manual adjunto, los procesos o lugares de fabricación o una combinación de estos factores pueden provocar cambios sin previo aviso y sin que ello suponga ninguna obligación para Peg Perego.

⚠ PRECAUTION:

LOS VEHICULOS ELECTRICOS NO SON RECOMENDABLE PARA NIÑOS MENORES DE 3 AÑOS. COMO TODOS LOS PRODUCTOS ELECTRICOS, CUANDO SE ESTA MANEJANDO OBSERVE LAS MEDIDAS DE PRECAUCION PARA PREVENIR UN CHOQUE ELECTRICO. EL CARGADOR ESTA INCLUIDO. 120 VOLTS, 60 HZ, 33W DE ENTRADA, 12 VOLTS (DC) DE SALIDA.

⚠ ADVERTENCIAS:

Las baterías deben ser cargadas sólo por personas adultas.

No deje que los niños jueguen con las baterías.

Use sólo las baterías especificadas por el fabricante. Use solamente el cargador especificado por el fabricante.

No mezcle baterías viejas y nuevas.

No mezcle baterías alcalinas, estándar (carbono-zinc) o recargables (níquel - cadmio).

CARGA DE LAS BATERÍAS

- Cargar la batería siguiendo las instrucciones incluidas en el cargador y no superar en ningún caso las 24 horas. No respetar estos tiempos puede acortar la vida de las baterías.
- Cargue las baterías a tiempo, apenas el vehículo pierda velocidad. De este modo se evitarán otros daños.
- Si el vehículo se queda sin usarlo por largo tiempo, recuérdese de cargar la batería y de mantenerla desconectada de la instalación; repita la operación de carga al menos cada tres meses.
- La batería no debe recargarse en posición invertida.
- ¡No se olvide de las baterías que se están cargando! Contrólelas periódicamente.
- Use sólo el cargador en dotación y las baterías originales PEG PEREGO.
- Las baterías están selladas y no necesitan de mantenimiento.
- Inserte las baterías con la correcta polaridad.

⚠ ATENCIÓN:

• LAS BATERÍAS CONTIENEN SUBSTANCIAS TÓXICAS CORROSIVAS.
NO SE DEBEN MANIPULAR ABUSIVAMENTE.

- Las baterías contiene electrolito de base ácida.
- No provoque el contacto directo entre los terminales de la batería, riesgo de explosión o incendio.
- Mientras se están cargando, las baterías producen gas explosivos. Cárguelas en un lugar bien ventilado, lejos de fuentes de calor y materiales inflamables.
- Las baterías agotadas se deben sacar del vehículo.
- No coloque las baterías sobre prendas porque se podrían dañar.

SI HAY UNA PÉRDIDA

Protéjase los ojos. Evite el contacto directo con el electrolito: proteja sus manos.

Ponga la batería en una bolsa de plástico y siga las instrucciones para la eliminación de baterías.

SI PIEL Y OJOS ENTRAN EN CONTACTO CON EL ELECTROLITO

Lave abundantemente con agua corriente durante al menos 15 minutos.

Consultar un médico inmediatamente.

SI SE INGIERE ELECTROLITO

Tome pequeños sorbos de agua, leche de magnesia o clara de huevo.

No provocar el vómito.

Consultar un médico inmediatamente.

ELIMINACIÓN DE BATERÍAS

Ayude a proteger el medio ambiente.

Las baterías usadas no se deben tirar junto con la basura doméstica.

Se pueden entregar a un centro de recogida de baterías usadas o de eliminación de residuos especiales; infórmese en su Ayuntamiento.

Pb



PRIMERA CARGA DE LA BATERÍA

!• Quite la batería y el cargador del empaquetado. Conecte el cargador de la batería con un socket doméstico. Conecte el cargador de batería con la batería.

INSTRUCCIONES DE MONTAJE

⚠ PRECAUTION:

REQUIERE MONTAJE DE UN ADULTO.

ALGUNOS COMPONENTES AL SER ENSAMBLADOS PODRÍAN TENER PARTES PEQUEÑAS/RIESGO POR BORDES CONTANTES.

LA BATERÍA VIENE INCLUIDA, SOLO NECESITA INSTALARSE. Vea instrucciones 30 - 32

- 1 • Deslizar el bastidor negro del parabrisas sobre la luna del parabrisas hasta que el pasador central de la luna encaje en el orificio.
- 2 • Colocar el parabrisas en el capó como se indica.
- 3 • Fijar el parabrisas al capó con 2 tornillos. (Aplicar los adhesivos del salpicadero antes de montar el volante).
- 4 • Montar los 2 componentes del volante uniéndolos con una presión firme.
- 5 • Situar el volante en el tubo de la columna de dirección alineando los orificios de los pernos.
- 6 • Introducir el perno en el orificio redondo y la tuerca en el orificio hexagonal. Apretar el perno con un destornillador.
- 7 • Acoplar la parrilla frontal al capó.
- 8 • Colocar el parachoques delantero – tapa de la batería; (A) situar los orificios inferiores del parachoques sobre los pasadores del chasis y (B) girar hacia arriba hasta que encajen y la pieza quede fija.
- 9 • Asegurar apretando el tornillo (una vez cargada la batería) para que los niños no puedan tener acceso a la batería.
- 10 • Focos de los faros delanteros; aplicar los cromados adhesivos y aplicar los focos ámbar en los huecos correspondientes.
- 11 • Focos de los faros delanteros; aplicar los cromados adhesivos y aplicar los focos claros en los huecos correspondientes.
- 12 • Tornillo la guarda defensa delantera con los 4 tornillos.
- 13 • Acoplar los 4 pequeños embellecedores a las ruedas.
- 14 • Instalar el borde negro del volquete por ambos lados.
- 15 • Montar la malla de soporte a soporte y asegurar con los pequeños tornillos incluidos.
- 16 • Situar los extremos de los soportes en los agujeros en la parte frontal del volquete y presionar hacia abajo.
- 17 • Fijar con los 2 tornillos incluidos.
- 18 • Montar la compuerta trasera; introducir el pasador izquierdo de la misma en el orificio izquierdo del volquete; suavemente pero con firmeza presionar hacia abajo en el lado derecho hasta que el pasador derecho entre en el orificio derecho.
- 19 • Montar el volquete: Hacer salir los 2 pasadores ovalados de las dos bisagras negras del volquete.
- 20 • Situar el extremo con agujero redondo de la bisagra en el asiento de bisagra del chasis: el agujero ovalado queda hacia atrás y la extrusión plana de ¼" hacia abajo en la ranura del chasis.
- 21 • Alinear los orificios e introducir los pasadores redondos de plástico negro (en los dos lados).
- 22 • Situar la plataforma sobre el chasis; alinear los agujeros ovalados de la bisagra con los agujeros redondos del asiento de bisagra de la plataforma (en los dos lados).
- 23 • Introducir pasadores ovalados de plástico para fijar la plataforma al chasis (en los dos lados).
- 24 • Conectar el muelle y el elemento de unión rojo como se muestra en la figura. Levantar el pistón e introducir el elemento de unión en la parte superior como se muestra en la figura.
- 25 • Mantener el pistón hacia arriba. Alinear el agujero del pistón con el orificio FRONTAL de la plataforma (ver figura)
- 26 • Asegurarlo con el pasador rojo de plástico.
- 27 • Aplicar los apoyabrazos en ambos lados del asiento doble.
- 28 • Asegurar los apoyabrazos con los tres tornillos incluidos.
- 29 • Alinear el asiento doble con los agujeros correspondientes, en función de la altura del niño, y asegurarlo por debajo con los cuatro pomos de cierre. El Gator tiene 4 posiciones de montaje (ver diagrama).

INSTALACIÓN DE LA BATERÍA

⚠ ATENCIÓN:

LA OPERACIÓN DE CARGA DE LA BATERÍA ASÍ COMO CUALQUIER INTERVENCIÓN ELÉCTRICA, DEBEN SER REALIZADAS ÚNICAMENTE POR ADULTOS.

LA BATERÍA TAMBIÉN SE PUEDE CARGAR SIN QUITARLA DEL JUGUETE.

SÓLO PARA EL BRASIL: TENSIÓN DEL CARGADOR: 127V - 60 HZ. OBSERVACIÓN: NO UTILIZAR EL CARGADOR DE LA BATERÍA CON UNA TENSIÓN DE 220V.

- 30 • Destornillar la tapa de la batería.
- 31 • Soltar la tapa de la batería y abrirla.
- 32 • Conectar el enchufe de la batería al sistema eléctrico. El vehículo está listo para su uso.

CARACTERÍSTICAS Y USO DEL VEHÍCULO

- 33 • A - PORTA-BEBIDAS: en el salpicadero hay un porta-bebidas en posición muy cómoda.
B - AGARRADERO: los pasajeros pueden sujetarse al agarradero para gozar de la máxima seguridad al usar el vehículo.
- 34 • PEDAL DE ACELERADOR y DE FRENO. Cuando el acelerador se pisa a fondo, se activa el movimiento hacia adelante. El freno se activa automáticamente cuando el niño levanta el pie del acelerador.
- 35 • COMPUERTA TRASERA: El volquete lleva una compuerta trasera con apertura basculante. Para bajar la compuerta, tirar de ella hacia arriba y hacerla oscilar hacia fuera.
- 36 • VOLQUETE: El volquete puede llevar objetos con un peso máximo de 22 lbs/10 kg. Para accionar el volquete, tirar hacia arriba de la anilla roja y soltarlo, como muestra la figura.
- 37 • POSICIONES DE LAS MARCHAS: 3 posiciones; **Centro**; 2¼ mph - 3,5 km/h hacia delante, **Arriba**; 4½ mph - 7,2 km/h (NOTA: el vehículo se envía con la velocidad de 4½ mph - 7,2 km/h BLOQUEADA por motivos de SEGURIDAD. Los padres deben seguir las instrucciones 38 y 39 para activar esa velocidad. **Abajo**; marcha atrás (la palanca de cambios debe mantenerse en la posición baja por seguridad; en ningún caso queremos que un niño pise el acelerador y vaya marcha atrás pensando que va a avanzar hacia delante).
- 38 • Desatornillar el tornillo de seguridad para soltar el pasador de bloqueo de la marcha rápida.
- 39 • Fijar el pasador de la marcha rápida en el segundo agujero, como muestra la figura. El vehículo admite ahora la segunda marcha. Si no quiere que el niño use la segunda marcha, asegure el pasador de bloqueo de la marcha rápida en el primer agujero.

CAMBIO DE LA BATERÍA (si ha comprado una segunda batería para prolongar el tiempo de conducción)

- 40 • Destornillar la tapa de la batería.
- 41 • Soltar la tapa de la batería y abrirla.
- 42 • Soltar el cierre de la batería
- 43 • Desconectar los enchufes y quitar la batería descargada. Introduzca una batería a plena carga y repita el procedimiento en orden inverso.

CARGA DE LA BATERÍA

- 44 • Soltar la tapa de la batería y abrir el compartimento. Desconectar el enchufe del sistema eléctrico (A) del enchufe de la batería (B) haciendo presión en los lados de los enchufes y tirando de ellos para separarlos.
- 45 • Enchufar el cargador de la batería en una toma eléctrica de casa. Conectar el enchufe de la batería (B) al enchufe del cargador C. NOTA: Presionar con firmeza hasta que se acople perfectamente.
- 46 • Una vez que la batería ha terminado de cargarse (recarga completa en 18-24 horas), desconectar el cargador de la batería de la toma eléctrica y, seguidamente, desconectar el enchufe de la batería (B) del enchufe del cargador (C).
- 47 • Conectar de nuevo el enchufe del sistema eléctrico (A) al enchufe de la batería (B). NOTA: Presionar con firmeza hasta que se acople perfectamente.
- 48 • Cerrar el compartimento de la batería, apretando la tapa de cierre de la batería. ATENCIÓN: Asegúrese siempre de que el compartimento de la batería está cerrado y bloqueado después de realizar alguna operación en su interior.

REGLAS PARA CONDUCIR EN CONDICIONES DE SEGURIDAD

QUE NO SE INTERRUMPA LA DIVERSIÓN: Compre una batería extra para tener siempre una batería de repuesto cargada o compre un cargador Quick Charge para recargar su batería en 2 horas.

Para la seguridad del niño: antes de accionar el vehículo, leer y seguir atentamente las siguientes instrucciones.

ALTA VELOCIDAD

Sugerimos que inicialmente se use únicamente la graduación de BAJA velocidad y la marcha de retroceso. Antes de pasar a la graduación de ALTA velocidad, asegúrese de que el niño esté familiarizado con el manejo del vehículo.

- Graduación de BAJA velocidad (conductores novatos): Con ambas manos en el volante, pise el pedal del acelerador; el vehículo se mueve hacia adelante a 2^{1/4} mph.
- Graduación de ALTA velocidad (conductores expertos): Con ambas manos en el volante, pise el pedal del acelerador; el vehículo empieza a moverse a 2^{1/4} mph, luego de algunos segundos avanza a 4^{1/2} mph. Cuando suelte el pedal del acelerador hasta el punto medio, el vehículo reduce automáticamente la marcha a 2^{1/4} mph.

• MARCHA ATRÁS:

Bajar con una mano la palanca del cambio. Colocar la otra mano sobre el volante y pisar el acelerador. El vehículo retrocede a una velocidad de aproximadamente 2^{1/4} mph.

• FRENO:

El sistema eléctrico de frenado bloquea automáticamente el vehículo cuando se levanta el pie del pedal del acelerador.

Enseñe a su niño el uso correcto del vehículo para que maneje en condiciones de seguridad y se divierta.

- Antes de partir, verifique que el recorrido esté libre de personas o cosas.
- Manejar con las manos sobre el volante y mirar siempre el camino.
- Frenar a tiempo para evitar choques.
- Insertar la 2a velocidad solamente cuando el niño ha aprendido correctamente a usar el manillar, la primera velocidad y el freno.

⚠ ¡ATENCIÓN!

- En primera velocidad, el vehículo está dotado de efecto diferencial como los verdaderos automóviles: en terrenos lisos y con un solo niño, las dos ruedas pueden tener velocidades diferentes con posibilidad de patinaje/deceleración de las mismas.

MANTENIMIENTO Y CUIDADOS DEL VEHICULO

Este producto cumple con y/o sobrepasa los ESTÁNDARES DE SEGURIDAD ASTM TOY, incluido el F 963, Especificaciones de seguridad en juguetes para consumidores.
Este vehículo no ha sido fabricado para ser usado en la vía pública, con vehículos en movimiento o aparcados.

MANTENIMIENTO Y CUIDADOS

- Controlare periódicamente el estado del vehículo, en especial la instalación eléctrica, las conexiones de los enchufes, las caperuzas de protección y el cargador. En caso de defectos comprobados, el vehículo eléctrico y el cargador no deben utilizarse. Para las reparaciones utilizar sólo piezas de recambio originales PEG PEREGO.
- PEG PEREGO no se asume ninguna responsabilidad en caso de uso indebido de la instalación eléctrica.
- No dejare las baterías o el vehículo cerca de fuentes de calor como radiadores, caloríferos, chimeneas, etc.
- Proteger el vehículo contra el agua, lluvia, nieve, etc.;
- Si el vehículo funciona en condiciones de sobrecarga, por ejemplo sobre arena blanda, barro o terrenos muy accidentados, el interruptor de la sobrecarga desconectará inmediatamente la potencia. El suministro de corriente se reanudará una vez eliminadas las condiciones de sobrecarga.
- Lubricar periódicamente (con aceite ligero) las partes móviles como cojinetes, dirección, etc., donde girar o están en contacto entre ellas.
- Las superficies del coche deben limpiarse con un paño húmedo y, si es necesario, con productos adecuados de uso doméstico.
Las operaciones de limpieza deben ser realizadas únicamente por adultos.
- No desmontar nunca los mecanismos del vehículo o los motores, sin la autorización de PEG PEREGO.

SEGURIDAD

⚠ ¡ATENCIÓN!

- Para reducir el riesgo de heridas, la supervisión de un adulto es siempre necesaria. No usar nunca en carreteras, cerca de vehículos a motor, o en pendientes pronunciadas o cerca de escaleras, piscinas u otras superficies de agua; los niños deben usar siempre zapatos durante el uso del vehículo. El vehículo está construido para dos niños: no deje que lo use más de dos niños.
- Se puede usar sobre superficies lisas o terrenos irregulares: hierba, grava, inclinaciones de hasta el 17%.
- No adecuado para niños de edad inferior a 3 años: contiene piezas pequeñas que podrían ser tragadas o inhaladas.
- No usar el vehículo en vías públicas, donde hay tránsito y coches estacionados, en pendientes pronunciadas, cerca de escaleras.
- Los niños deben usar siempre zapatos durante el uso del vehículo.
- Cuando el vehículo está funcionando, preste atención para que los niños no metan las manos, los pies u otras partes del cuerpo, cerca de las partes en movimiento.
- No mojar nunca los componentes eléctricos del vehículo como motores, cableado, botones, etc.
- No usar gasolina u otras sustancias inflamables cerca del vehículo.

¿PROBLEMAS?

¿EL VEHÍCULO NO FUNCIONA?

- **Si el vehículo funciona en condiciones de sobrecarga, por ejemplo sobre arena blanda, barro o terrenos muy accidentados, el interruptor de la sobrecarga desconectará inmediatamente la potencia. Después de unos 10 segundos se reanudará el suministro de corriente, pero deben eliminarse las condiciones de sobrecarga.**
- Controlar que todos los enchufes están correctamente conectados.
- Controlar los interruptores eléctricos y si fuera necesario sustituirlos.
- Controlar que la batería esté conectada a la instalación eléctrica.

¿EL VEHÍCULO NO TIENE POTENCIA?

- Cargar la baterías. Si después de cargarlas el problema persiste hacer controlar las baterías y el cargador de baterías en un centro de asistencia autorizado Peg Perego.

SERVICIO DE ASISTENCIA

Para su conviencia, PEG PEREGO ofrece un servicio de asistencia post-venta, directamente o a través de una red de centros de asistencia técnica autorizados, para eventuales reparaciones o sustituciones y venta de recambios originales.

Si usted tiene cualesquiera preguntas sobre su vehículo de Peg Perego, llame por favor nuestras líneas de servicio gratis.

U.S.A , 1-800-225-1558

Los representantes técnico de cliente entrenados están disponibles para tomar su llamada en español o inglés.

PEG PEREGO® vous remercie de votre confiance et vous félicite d'avoir choisi ce produit. Depuis plus de 60 ans, PEG PEREGO emmène les enfants en promenade: nouveau-nés, dans ses fameux landaus et poussettes et plus tard, dans ses fantastiques véhicules à pédales et à batterie.

Découvrez sur notre site la gamme complète des produits, les nouveautés et d'autres renseignements sur le monde de Peg Perego.
www.pegperego.com

L'INFORMATION IMPORTANTE

- Lisez ce manuel d'instructions soigneusement pour apprendre l'utilisation du véhicule et pour enseigner à votre enfant la conduite sécuritaire et agréable. Veuillez conserver ce manuel (avec votre facture originale) pour l'utiliser comme référence à l'avenir.
- **NE RETOURNEZ PAS VOTRE VÉHICULE AU MAGASIN. Ce produit ne peut pas être retourné pour un remboursement après qu'il ait été utilisé. Si vous avez des questions, avez besoin des pièces de rechange ou avez besoin d'aide, appelez-nous au numéro sans frais 1-800-661-5050.**
- Ce produit répond et/ou dépasse toutes les NORMES DE SÉCURITÉ ASTM POUR JOUETS, incluant les normes F 963, Spécifications pour les consommateurs de jouets de même que le C.R.C, c.931, sur les Normes Canadiennes sur les Produits Dangereux (Jouets).
- Outils requis pour l'assemblage: tournevis de Phillips moyen et petit (non inclus)
- Votre nouveau véhicule est partiellement pré-assemblé. Il requiert l'assemblage par un adulte. S'il vous plaît, prévoir au moins 60 minutes pour l'assemblage.
- Avant d'utiliser le véhicule pour la première fois, charger la batterie pendant 18 heures. La non-observation de cette étape peut entraîner des dommages irréversibles à la batterie.
- Utiliser seulement avec la batterie rechargeable Peg Perego de 12 volts et un chargeur Peg Perego pour batterie 12 volts (tous les deux inclus).

• **Âge: 3+**

• **Capacité de Poids: 59,1 kg (130 lbs)**

- N'excédez pas la capacité maximale de poids de 59,1 kg (130 livres).

Table des matières:

- 1 GATOR XUV 550 véhicule de randonnée pour enfant -- partiellement assemblé
- 1 batterie rechargeable scellée de 12V 12Ah à l'acide
- 1 chargeur de 12V
- 2 moteurs de 170W -- pré-installés
- matériel de quincaillerie pour assemblage
- pièces à assembler
- décalcomanies

• Réglage à vitesse FAIBLE: 2^{1/4} mph - Réglage ÉLEVÉ de la vitesse: 4^{1/2} mph - Marche arrière: 2^{1/4} mph

- Pour la sûreté, ce véhicule a été pré-établi ainsi il fonctionnera seulement dedans réglage à vitesse FAIBLE. Voir les étapes 38 - 39 pour retirer le verrouillage.
- Pour empêcher endommager les moteurs et les vitesses, enseignez votre enfant à cesser la direction de commutation de befor de véhicule.
- Utilisez ce véhicule dehors SEULEMENT. La plupart des planchers intérieurs peuvent être endommagés en utilisant ce véhicule à l'intérieur. Peg Perego ne sera pas responsable des dommages au plancher si le véhicule est utilisé à l'intérieur.
- Peg Perego pourra apporter à tout moment des modifications aux modèles décrits dans cette publication, pour des raisons de nature technique ou commerciale.

⚠ ATTENTION:

VÉHICULE ÉLECTRIQUE NON RECOMMANDÉ POUR DES ENFANTS DE MOINS DE 3 ANS. COMME POUR TOUS LES PRODUITS ÉLECTRIQUES, DES PRÉCAUTIONS DOIVENT ÊTRE PRISES PENDANT LE MANIEMENT ET L'UTILISATION POUR PRÉVENIR LES CHOCS ÉLECTRIQUES. CHARGEUR DE BATTERIE INCLUS.
ENTRÉE DE 120Vac 60Hz 16W - SORTIE DE 12Vdc 12W.

⚠ PRÉCAUTION:

- Les batteries ne doivent être rechargées que par ou sous la surveillance d'adultes.
- Ne pas laisser les enfants manipuler les batteries.
- Utiliser uniquement le chargeur de batterie fourni et les batteries originales PEG PEREGO.
- Ne pas utiliser simultanément des batteries neuves et usagées.
- Ne pas utiliser simultanément des batteries alcalines standard (zinc-carbone) ou rechargeables (nickel-cadmium).

RECHARGEMENT DES BATTERIES

- Charger les batteries sans dépasser les 24 heures et en suivant les instructions jointes au chargeur de batterie.
- Recharger les batteries à temps, dès que le véhicule perd de la vitesse, pour éviter de les endommager.
- Si on laisse le véhicule arrêté pendant un long intervalle, se rappeler de recharger la batterie et de la laisser débranchée de l'installation; répéter l'opération de rechargement tous les trois mois au moins.
- La batterie ne doit pas être rechargée retournée.
- Ne pas oublier la batterie en rechargement! Contrôler périodiquement.
- Utiliser exclusivement le type de batteries et de chargeur spécifié par PEG PEREGO.
- Les batteries doivent être mises en place avec la polarité correctement positionnée.
- Les batteries sont scellées et n'exigent pas de maintenance.

⚠ ATTENTION:

- LES BATTERIES CONTIENNENT DES SUBSTANCES TOXIQUES ET CORROSIVES. NE PAS LES OUVRIR.
- Les batteries contiennent des électrolytes à base d'acide.
- Ne pas provoquer de contact direct entre les bornes de la batterie: cela entraînerait un risque d'explosion ou d'incendie.
- Pendant le rechargement, la batterie produit des gaz explosifs. Recharger la batterie dans un lieu bien aéré, loin de toute source de chaleur et de matériaux inflammables.
- Les batteries déchargées doivent être enlevées du véhicule.
- Éviter que les batteries entrent en contact avec les vêtements: ceux-ci pourraient s'abîmer.

EN CAS DE FUITE

Se protéger les yeux. Éviter tout contact direct avec les électrolytes et se protéger les mains. Mettre la batterie dans un sac en plastique et suivre les instructions se trouvant plus bas.

SI LA PEAU OU LES YEUX ENTRENT EN CONTACT AVEC L'ELECTROLYTE

Rincer abondamment les parties concernées à l'eau courante (pendant 15 minutes au moins). Consulter immédiatement un médecin.

EN CAS D'INGESTION D'ELECTROLYTE

Boire de l'eau à petites gorgées, ou du lait de magnésie ou de l'albumen d'œuf. Ne pas provoquer de vomissement. Consulter immédiatement un médecin.

Ne pas provoquer de vomissement.

Consulter immédiatement un médecin.

DISPOSITION DES BATTERIES; Contribuons à la sauvegarde de l'environnement!

CONTIENT UNE QUANTITÉ SCELLÉE D'ACIDE À BATTERIE AU PLOMB.

LA BATTERIE DOIT ÊTRE RECYCLÉE. Veuillez disposer des vieilles batteries dans un centre de recyclage approuvé pour cet usage; communiquez avec votre bureau local de protection de l'environnement ou appelez le Service à la Clientèle de Peg Perego pour plus d'informations, au 1-800-661-5050.



PREMIERE CHARGE DE BATTERIE

- ! Retirez la batterie et le chargeur de l'emballage. Reliez le chargeur de batterie à une prise domestique. Reliez le chargeur de batterie à la batterie.

INSTRUCTIONS D'ASSEMBLAGE

⚠ ATTENTION:

ASSEMBLAGE PAR UN ADULTE REQUIUS.

OUVRIER LES EMBALLAGES AVEC PRÉCAUTION CAR LES PIÈCES À ASSEMBLER PEUVENT COMPORTER DES RISQUES DE COUPURES OU DE BLESSURES.

LA BATTERIE EST INCLUSE ET DOIT ÊTRE CONNECTÉE; VOIR LES INSTRUCTIONS 30 - 32.

- 1 • Insérer le cadre noir du pare-brise sur le pare-brise en veillant à ce que l'élément central s'enclenche dans le trou correspondant.
- 2 • Positionner le pare-brise sur le capot comme indiqué sur la figure.
- 3 • Fixer le pare-brise au capot avec 2 vis (appliquer les autocollants du tableau de bord avant d'installer le volant).
- 4 • Assembler les 2 éléments du volant et presser avec vigueur.
- 5 • Positionner le volant sur le tube de la colonne de direction en alignant les trous de fixation.
- 6 • Insérer la vis dans le trou arrondi et le boulon dans le trou hexagonal. Serrer la vis à l'aide du tournevis.
- 7 • Installer la calandre sur le capot en l'enclenchant dans les logements correspondants.
- 8 • Fixation du pare-chocs avant / cache-batterie ; (A) veiller à bien positionner les trous inférieurs du pare-chocs sur les pivots du châssis et (B) le basculer vers le haut jusqu'au dé clic de fermeture.
- 9 • Le fixer avec une vis (après avoir chargé la batterie) pour que les enfants ne puissent avoir accès à la batterie.
- 10 • Lentilles de phare : appliquer les autocollants chromés puis enfoncer les lentilles orange dans leur logement.
- 11 • Lentilles de phare : appliquer les autocollants chromés puis enfoncer les lentilles transparentes dans leur logement.
- 12 • Vissez le pare-chocs avant garde avec 4 vis.
- 13 • Insérer les 4 petits chapeaux de roue.
- 14 • Installer la barre de finition noire des deux côtés de la benne.
- 15 • Monter le treillis sur l'arceau de sécurité et fixer avec la petite vis fournie.
- 16 • Introduire les montants de l'arceau dans les trous situés à l'avant de la benne et les enfoncer.
- 17 • Fixer avec les 2 vis fournies.
- 18 • Installation du hayon : introduire le pivot gauche du hayon dans le trou de gauche de la benne, puis presser délicatement vers le bas le pivot droit jusqu'à ce qu'il entre dans le trou correspondant.
- 19 • Installation de la benne : pousser les 2 goupilles ovales hors des 2 articulations noires à l'arrière de la benne.
- 20 • Positionner l'extrémité arrondie de la patte de fixation noire dans l'articulation du châssis, avec le trou ovale à l'arrière et la partie plate insérée dans l'emplacement du châssis.
- 21 • Aligner les trous et insérer les goupilles plastique noires (des deux côtés).
- 22 • Positionner la benne sur le châssis en alignant les trous ovales de la patte de fixation et les trous arrondis de l'articulation (des deux côtés).
- 23 • Insérer les goupilles plastique ovales pour fixer la benne au châssis (des deux côtés).
- 24 • Raccorder le ressort et l'élément de fixation rouge comme indiqué sur la figure. Relever le piston et insérer l'élément de fixation rouge dans la partie supérieure, comme indiqué sur la figure.
- 25 • Maintenir le piston dans cette position. Aligner le trou du piston et le trou AVANT de l'articulation de la benne (voir figure).
- 26 • Fixer avec la goupille plastique rouge.
- 27 • Monter les accoudoirs des deux côtés de la banquette.
- 28 • Fixer les deux accoudoirs à l'aide des trois vis fournies.
- 29 • Positionner la banquette de sorte qu'elle coïncide avec les trous appropriés, en fonction de la taille de l'enfant, et la fixer par en dessous au moyen des quatre molettes. 4 positions de réglage sont possibles sur le Gator (voir schéma).

INSTALLATION DE LA BATTERIE

⚠ ATTENTION:

L'OPÉRATION DE CHARGE DES BATTERIES ET TOUTES AUTRES INTERVENTIONS SUR L'ÉQUIPEMENT ÉLECTRIQUE DOIVENT ÊTRE EFFECTUÉES EXCLUSIVEMENT PAR DES ADULTES. IL EST POSSIBLE DE CHARGER LA BATTERIE SANS LA DÉMONTER DU JOUET.

- 30 • Dévisser le cache-batterie.
- 31 • Défaire le cache-batterie et l'ouvrir.
- 32 • Brancher la prise de la batterie à celle du système électrique. Le véhicule est prêt à être utilisé.

CARACTERISTIQUES ET EMPLOI DU VEHICULE

- 33 • A - PORTE-BOISSONS : le tableau de bord est muni d'un porte-boissons pratique.
B - POIGNÉE : pour une sécurité maximale pendant l'utilisation du véhicule, les passagers peuvent se tenir à la poignée.
- 34 • ACCÉLÉRATEUR et PÉDALE DE FREIN. Dès que l'accélérateur est complètement enfoncé, le mouvement vers l'avant s'amorce. Le frein s'active automatiquement dès que l'enfant lève son pied de l'accélérateur.
- 35 • HAYON : la benne possède un hayon à ouverture rabattable. Pour abaisser le hayon, le tirer vers le haut et le faire basculer vers l'arrière.
- 36 • BENNE : la benne peut transporter des objets de 10 kg (22 livres) maximum. Pour actionner la benne, tirer le loquet rouge vers le haut et le déverrouiller comme indiqué sur la figure.
- 37 • POSITIONS DU LEVIER DE VITESSE : 3 positions ; **au centre** : 3,5 km/h vers l'avant (2¼ mi/h) ; **en haut** : 7 km/h (4½ mi/h) (REMARQUE : pour plus de SÉCURITÉ, la vitesse supérieure du véhicule est VERROUILLÉE au moment de sa livraison. Les parents doivent suivre les instructions 38 et 39 pour activer la vitesse supérieure) ; **en bas** : marche arrière (pour plus de sécurité, le levier de vitesse doit être maintenu dans cette position ; nous ne voulons pas qu'un enfant, en appuyant sur l'accélérateur, aille en arrière en pensant aller en avant).
- 38 • Dévisser la vis de sécurité pour défaire la goupille de verrouillage de la vitesse supérieure.
- 39 • Insérer la goupille de verrouillage de la vitesse supérieure dans le deuxième trou, comme indiqué sur la figure. Il est maintenant possible d'actionner la 2^{de} vitesse du véhicule. Si vous préférez que votre enfant n'utilise pas la 2^{de} vitesse, montez la goupille de verrouillage de la vitesse supérieure dans le premier trou.

REPLACEMENT DE LA BATTERIE (si vous avez acheté une 2^{de} batterie pour prolonger le plaisir de conduite)

- 40 • Dévisser le cache-batterie.
- 41 • Défaire le cache-batterie et l'ouvrir.
- 42 • Enlever le verrou de la batterie.
- 43 • Débrancher les fiches et enlever la batterie déchargée. Installer une batterie complètement chargée et répéter cette procédure à l'inverse.

CHARGE DE LA BATTERIE

- 44 • Défaire le cache-batterie et ouvrir le compartiment de la batterie. Débrancher la fiche du système électrique (A) de celle de la batterie (B) en appuyant sur les côtés des fiches et en les séparant.
- 45 • Brancher le chargeur de batterie à une prise électrique de la maison. Brancher la fiche de la batterie (B) à celle du chargeur (C). REMARQUE : enfoncer avec vigueur jusqu'à l'enclenchement des fiches.
- 46 • Une fois la batterie chargée (prévoir de 18 à 24 heures pour la pleine charge), débrancher le chargeur de la prise électrique puis débrancher la fiche de la

batterie (B) de celle du chargeur (C).
47 • Rebrancher la fiche du système électrique (A) à celle de la batterie (B). REMARQUE : enfoncer avec vigueur jusqu'à l'enclenchement des fiches.
48 • Fermer le compartiment de la batterie et fixer le cache-batterie. ATTENTION : toujours s'assurer que le compartiment de la batterie est fermé et verrouillé après toute opération sur celui-ci.

RÈGLES POUR UNE CONDUITE EN TOUTE SÉCURITÉ

FAITES DURER LE PLAISIR ! Achetez une batterie de rechange pour avoir à disposition une batterie d'appoint déjà chargée, ou achetez un chargeur rapide pour charger la batterie en 2 heures.

Pour la sécurité de l'enfant: avant de mettre en marche le jouet, lire et suivre attentivement les instructions suivantes:

VITESSE ÉLEVÉE

Nous suggérons au départ de n'utiliser que le réglage à vitesse FAIBLE et la marche arrière. Avant d'adopter le réglage en vitesse ÉLEVÉE, assurez-vous que votre enfant connaît bien le fonctionnement du véhicule.

• Réglage à vitesse FAIBLE (conducteurs débutants) :

Les deux mains agrippées au volant, appuyez sur la pédale d'accélération: le véhicule se déplace vers l'avant à 2^{1/4} mph.

• Réglage ÉLEVÉ de la vitesse (conducteurs chevronnés):

Les deux mains agrippées au volant, appuyez sur la pédale d'accélération : le véhicule se déplace à 2^{1/4} mph, puis après quelques secondes, à 4^{1/2} mph. Relâchez la pression sur la pédale d'accélération pour qu'elle soit à mi-chemin et le véhicule « rétrograde » à 2^{1/4} mph.

• MARCHE ARRIERE:

Abaisser d'une main le levier du chargement de vitesse. Mettre l'autre main sur le volant et appuyer avec le pied sur l'accélérateur. Le véhicule part en arrière à une vitesse d'environ 2^{1/4} mph.

• FREIN:

Le système électrique de freinage bloque automatiquement le véhicule quand on lève le pied de la pédale d'accélérateur. Enseigner à l'enfant à utiliser le véhicule correctement pour conduire en sécurité tout en s'amusant.

• Avant de partir, s'assurer que le parcours est libre de personnes ou de choses.

• Conduire avec les mains sur le volant et toujours regarder la route.

• Freiner à temps pour éviter les accrochages.

• Mettre en 2^{de} vitesse quand l'enfant a appris à se servir correctement du guidon, de la 1^{ere} vitesse et du frein.

⚠ ATTENTION:

• Si le jouet est utilisé dans des conditions entraînant une surcharge, l'interrupteur de surcharge réduira automatiquement la puissance. La puissance sera rétablie quelques secondes plus tard.

ENTRETIEN ET SÉCURITÉ DU JOUET

Ce produit répond et/ou dépasse toutes les NORMES DE SECURITE ASTM POUR JOUETS, incluant les normes F 963, Spécifications pour les consommateurs de jouets. Ce véhicule n'est pas conforme aux dispositions des normes de circulation routière et ne peut par conséquent pas circuler sur la voie publique.

SÉCURITÉ, MAINTENANCE ET ENTRETIEN

- Contrôler régulièrement l'état du jouet, en particulier l'installation électrique, le branchement des fiches, les capots de protection et le chargeur de batterie. Si l'on trouve des défauts, le jouet électrique et le chargeur de batterie ne doivent pas être utilisés. Pour les réparations, n'utiliser que des pièces de rechange d'origine PEG PEREGO.
- PEG PEREGO décline toute responsabilité en cas de mauvaise utilisation de l'installation électrique.
- Ne pas laisser les batteries ou le jouet à proximité de sources de chaleur comme des radiateurs, des foyers, des cheminées, etc.
- Protéger le jouet de l'eau, de la pluie, de la neige, etc.
- Si le véhicule fonctionne en conditions de surcharge, l'interrupteur de surcharge coupe immédiatement le courant. La distribution de courant reprend dans 10 secondes environ, mais il faut éliminer les conditions de surcharge pour assurer la conduite normale.
- Lubrifier périodiquement (avec une huile légère) les parties mobiles comme roulements à billes, direction, etc., surtout là où ils tournent ou entrent en contact.
- Les surfaces du jouet peuvent être nettoyées avec un chiffon humide. Ne jamais utiliser des détergents abrasifs. Les opérations de nettoyage doivent être effectuées exclusivement par des adultes.
- Ne jamais désassembler les mécanismes du jouet ou les moteurs, sauf avec autorisation de PEG PEREGO.

SÉCURITÉ

ATTENTION:

- Pour éviter tout risque d'accident, la supervision d'un adulte est toujours requise. Ne pas utiliser le véhicule sur les voies publiques, là où il y a des voitures, sur les pentes raides, près de gradins, d'escaliers, de cours d'eau et de piscines; les enfants doivent toujours porter des chaussures quand ils utilisent le véhicule. Le véhicule est conçu seulement pour deux enfants tout au plus.
- Les surfaces appropriées pour utilisation: gazon, gravier, surfaces rigides et pentes modérées (ne dépassant pas 10%).
- Ce produit n'est pas destiné aux enfants de moins de 3 ans. La présence de petites pièces est dangereuse parce qu'elles pourraient être avalées ou inhalées.
- Ne pas utiliser le véhicule sur les pentes raides ou près de gradins et d'escaliers. Le véhicule n'est pas conçu pour l'utilisation sur les voies publiques.
- Les enfants doivent toujours porter des chaussures quand ils utilisent le véhicule.
- Quand le véhicule fonctionne, faire attention à ce que les enfants ne mettent pas les mains, les pieds ou d'autres parties du corps, des vêtements ou d'autres choses près des parties en mouvement.
- Ne jamais mouiller les composants du véhicule comme les moteurs, les installations, les touches, etc.
- Ne jamais utiliser d'essence ou d'autres substances inflammables près du véhicule.

PROBLÈMES?

LE VÉHICULE NE FONCTIONNE PAS?

- **Si le véhicule fonctionne en conditions de surcharge, l'interrupteur de surcharge coupe immédiatement le courant. La distribution de courant reprend dans 10 secondes environ, mais il faut éliminer les conditions de surcharge pour assurer la conduite normale.**
- Vérifier qu'il n'y a pas de câbles débranchés sous le bouton de mise en route.
- Contrôler le fonctionnement du bouton de mise en route et le remplacer éventuellement.
- Contrôler que la batterie est bien branchée à l'installation électrique.

LE VÉHICULE MANQUE DE PUISSANCE?

- Recharger la batterie. Si après l'avoir rechargée le problème persiste, faire contrôler la batterie et le chargeur de batterie par un centre d'assistance autorisé de PEG PEREGO.

SERVICE D'ASSISTANCE

Pour votre commodité, PEG PEREGO offre un service d'assistance après-vente, directement ou via un réseau de centres d'assistance autorisés pour les éventuelles réparations ou pour le remplacement et la vente de pièces de rechange d'origine.

Pour toute question au sujet de votre véhicule Peg Perego, veuillez appeler notre Service à la Clientèle sans frais au 1-800-661-5050 entre 8 AM et 6:30 PM, du lundi au vendredi. Les représentants qualifiés du service à la clientèle sont disponibles pour prendre votre appel en français ou en anglais.

STOP!

Do not return your vehicle to the store!

We're a toll-free phone call away and we can help.
If you are missing parts or need assistance, please see the contact information below.

¡ALTO!

¡No vuelva su vehículo al almacén!

Somos una llamada telefónica gratis lejos y podemos ayudar.
Si usted es piezas que falta o necesita ayuda, vea por favor la información del contacto abajo.

ARRÊTEZ!

Ne retournez pas votre véhicule au magasin !

Nous offrons un service d'appel téléphonique sans frais et nous pouvons aider. Si vous avez des pièces manquantes ou avez besoin d'aide, voir s'il vous plaît l'information de contact ci-dessous.

Model Number **IGOD0063**

PEG PEREGO U.S.A Inc.

3625 INDEPENDENCE Dr. FORT WAYNE IN 46808
fax 260-484-2940
call us toll free 1-800-728-2108
llame USA gratis 1-800-225-1558

PEG PEREGO CANADA Inc.

585 GRANITE COURT PICKERING ONT. CANADA L1W3K1
fax 905-839-9542
call us toll free 1-800-661-5050

PEG PEREGO S.p.A.

via A. De Gasperi, 50 20862 ARCORE (MB) ITALIA



www.pegperego.com