

1. SAFETY PRECAUTIONS.....	2
2. INTENDED USE OF THE APPLIANCE.....	3
3. INSTALLATION AND CONNECTION	4
3.1 Choice of location and ventilation.....	4
3.2 Positioning and levelling the appliance.....	5
3.3 Electrical connection.....	5
4. PRODUCT DESCRIPTION	6
4.1 Shelves	6
4.2 Top door shelf and bottle container.....	6
4.3 Air vents.....	7
5. MODE OF OPERATION.....	7
6. MAINTENANCE AND CLEANING.....	10
6.1 Cleaning the appliance	10
6.2 Switching off the appliance	11
6.3 Practical advice for saving energy.....	11
7. TROUBLESHOOTING GUIDE	12



INSTRUCTIONS FOR THE USER: these instructions contain user recommendations, description of the commands and the correct procedures for cleaning and maintenance of the appliance.



INSTRUCTIONS FOR THE INSTALLER: these are intended for the **qualified technician** who must install the appliance, set it functioning and carry out an inspection test.



Further information about the products can be found at www.smeg.com

1. IMPORTANT SAFETY INSTRUCTIONS



READ AND SAVE THESE INSTRUCTIONS – Your Safety And the Safety of Others Are Very Important. We have provided many important safety messages throughout this manual and on your appliance. Read all instructions before using your appliance and always obey all safety messages.



RECOGNIZE SAFETY INFORMATION

This is a safety alert symbol. This symbol alerts you to potential hazards that can kill or hurt you and others.

UNDERSTAND SIGNAL WORDS

A signal word – DANGER, WARNING, or CAUTION – is used with the safety-alert symbol. DANGER identifies the most serious hazards. It means you can be killed or seriously injured if you do not immediately follow instructions. WARNING means you can be killed or seriously injured if you do not follow instructions. CAUTION indicates a potentially hazardous situation which, if not avoided, may result in minor or moderate injury.



WARNING - FOR YOUR SAFETY

- Use this appliance only for its intended purpose as described in this Instruction Manual.
- Ensure proper installation in accordance with the Installation Instructions before using this appliance.
- Use two or more people to move and install the minibar.
- Do not climb, stand or hang on the shelves in the minibar. This could cause serious injury or result in damage to the minibar.
- Never allow children to play with the minibar and use the drawers, shelves and others parts of the appliance only as described in this handbook.
- This appliance is not intended for use by persons (including children) with reduced physical, sensory or mental capabilities, or lack of experience and knowledge, unless they have been given supervision or instruction concerning use of the appliance by a person responsible for their safety.
- Never store explosive or flammable substances, such as gasoline in or in the vicinity of this minibar or use gasoline or other flammable vapors or liquids in the vicinity of this or any other appliance. Read product labels for warnings regarding flammability and other hazards.
- **WARNING:** Do not use mechanical devices or other means to accelerate the defrosting process, other than those recommended by the manufacturer.
- **WARNING:** do not damage the refrigerant circuit.
Failure to do so can result in death, explosion or fire.
- Use nonflammable cleaner.
- High alcohol content drinks must only be stored sealed and vertical.
- Never touch frozen product straight from the freezer or put it in your mouth. This can cause burn injury due to very low temperatures.
- Unplug your minibar before cleaning and making repairs.

2. INTENDED USE OF THE APPLIANCE



DANGER - CHILD SAFETY

- This appliance is intended to be used in residential and similar applications such as:
 - a) Staff kitchen areas in shops, offices and other similar environments;
 - b) Farm houses and by clients in hotels, motels and other residential type environments;
 - c) Bed and breakfast type environments;
- **CHILD ENTRAPMENT HAZARD:** If you are getting rid of your old appliance, please follow these instructions to help prevent accidents.
 - **Before you throw away your old minibar:**
 - Remove door;
 - Leave shelves in place so children may not easily climb inside;
 - Have refrigerant removed by a qualified service technician.
- Destroy or recycle the carton, plastic bags, and any exterior wrapping material immediately after the minibar is unpacked. Children should NEVER use these items to play. They can cause suffocation and death.
- Do not allow children to climb, stand or hang on the shelves in the minibar.
- Never allow children to play with the minibar.



ELECTRICAL INFORMATION

To reduce the risk of fire, electric shock, or injury to persons when using this minibar, follow basic precautions, including the following:

- The power cord to this minibar is equipped with a three-prong grounding plug for your protection against electrical shock hazards. It must be plugged directly into a properly grounded three-prong receptacle.
- Do not, under any circumstances, cut or remove the third (ground) prong from the power cord. For personal safety, this minibar must be properly grounded.
- Have the wall outlet and circuit checked by a qualified electrician to make sure the outlet is properly grounded.
- Do not use an adapter plug.
- Do not use an extension cord.
- Never unplug an appliance by pulling on the power cord. Always grip the plug firmly and pull straight out from the outlet to prevent damaging the power cord.
- Unplug the minibar before servicing.
- **WARNING:** do not use electrical appliances inside the food storage compartments of the appliance, unless they are of the type recommended by the manufacturer.



3. INSTALLATION AND CONNECTION

3.1 Choice of location and ventilation



WARNING

Excessive Weight Hazard.
 Use two or more people to move and install this minibar.
 Failure to do so can result in back or other injury.

Always place the minibar in a dry place with satisfactory ventilation. Never expose it to direct sunlight or install it outdoors.

The compressor type cooling system produces heat and requires good ventilation so rooms with poor ventilation are not very suitable.

WARNING: Keep ventilation openings, in the minibar enclosure or in the built-in structure, clear of obstruction.

The minibar should be installed in a room in which there is a ventilation opening and it is essential not to obstruct the grilles that allow the minibar to be well ventilated. Avoid positioning the minibar where it is exposed to directly sunlight or close to other sources of heat. If this is unavoidable, in order to prevent the proper operation of the product from being compromised, a suitable insulation board must be used. Otherwise, locate the minibar at least 1 1/4" (3 cm) away from electrical or gas cookers and at least 12 1/8" (31 cm) away from combustion heaters or radiators.

Minimum installation distances:

from the top: 2" (50 mm). If it is not possible to guarantee this distance, a ventilation opening with the dimensions and position shown in the figure below is required.

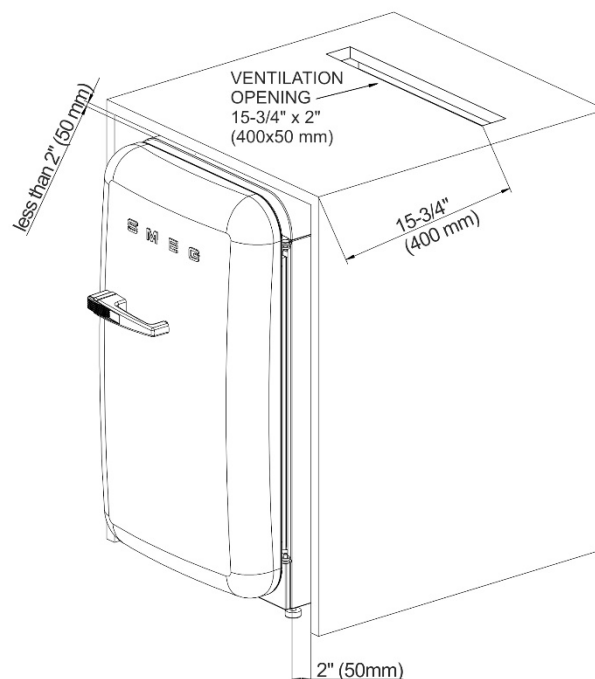
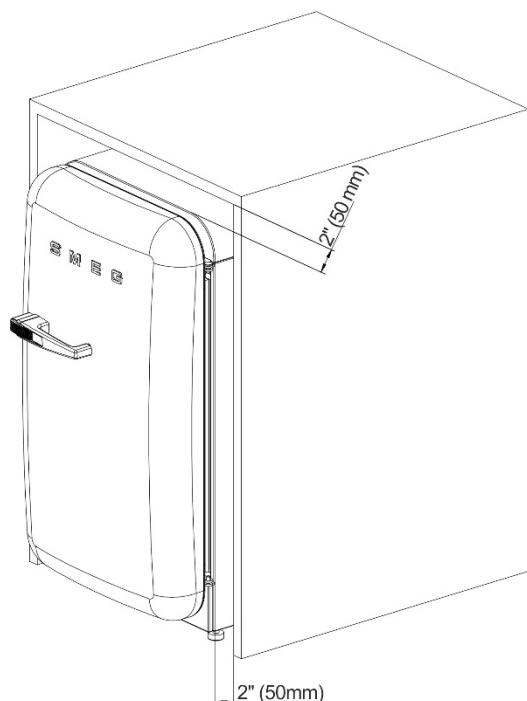
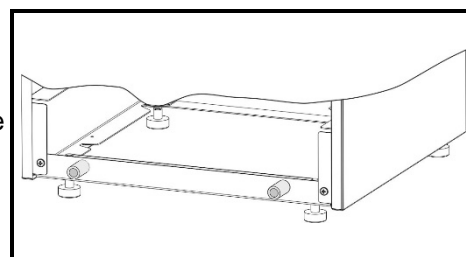
from the back: 2" (50mm)

from the sides: 2" (50mm)

from the floor: **maximum feet length**

To allow proper cooling of the condenser, the minibar must not be placed too close to the wall. To prevent this, there are two plastic spacers at the lower back of the minibar.

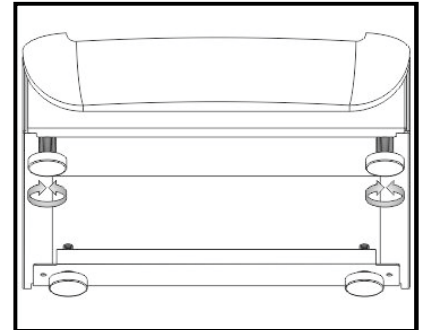
Position the minibar so that the **door can be opened fully**. Take care not to scratch or damage the floor when installing the minibar on parquet or linoleum. If necessary, when positioning slide the minibar over pieces of wood or a mat to the point decided for connection to the electrical mains.





3.2 Positioning and levelling the minibar

Place the minibar on a **firm, level surface**. To compensate for any unevenness in the floor, the minibar has four adjustable feet. This gives it added stability and makes it easier to move around and position. Take great care **when moving the minibar not to damage the floor** (for example, when installing on a parquet floor).



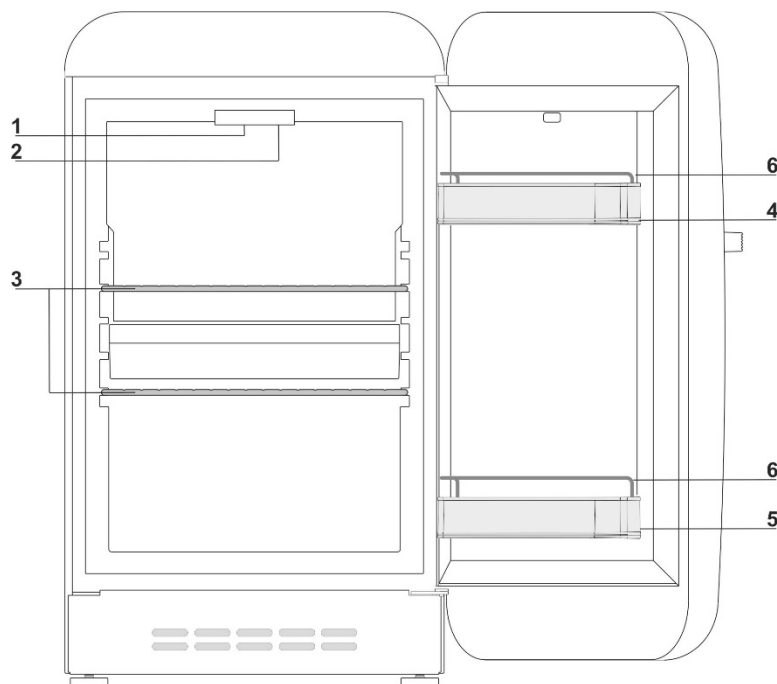
3.3 Electrical connection

Connect the minibar's power supply lead to a electrical outlet, installed in accordance with electrical safety regulations. The rated voltage and frequency are stated on the nameplate inside the minibar. The minibar can tolerate fluctuations in voltage of between -15% and +10% of the nominal value indicated on the data plate. If the power supply cord lead has to be replaced, this operation must only be carried out by an **authorized Smeg technical service engineer**. The power plug must be accessible after the minibar has been installed.



4. PRODUCT DESCRIPTION

- 1 Inside light.
- 2 Thermostat switch.
- 3 Removable shelves.
- 4 Top door shelf.
- 5 Bottle shelf.
- 6 Door-shelf profile.



When the minibar door is opened, the light comes on; it remains on until the door is completely closed again.

4.1 Shelves

The minibar comes complete with several shelves which can be set at different heights by placing them on the runners provided. Then change the position of the shelf or shelves as you require. For easy removal of all internal accessories, the door has to be opened completely.

4.2 Top door shelf and bottle container

The inside of the door is fitted with a shelf for storing tubes, small packages and jars. The bottom of the door has a shelf to take vertical bottles and cans.



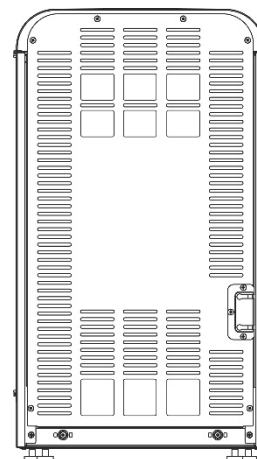
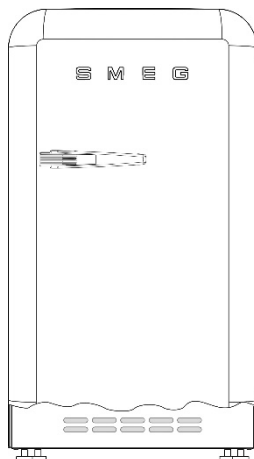
The top door shelf and the bottle shelf, as well as the bottle/jar container, are not interchangeable and **must not be inverted** after being taken out for cleaning. Otherwise, bottles may fall out when the door is opened.

The shelf and container can be removed for cleaning. To remove them from the door, tap them upward with your fist first on one side of the insertion zone and then on the other. Do not place excessively heavy bottles on the bottle shelf, and place bottles on the shelf gently when loading them.



4.3 Air vents

The ventilation **must never be obstructed in any way**; this would impair operation of the minibar.



5. MODE OF OPERATION

THE MINIBAR CAN OPERATE IN TWO DIFFERENT MODES:



NORMAL: a switch is used to select the minimum and maximum temperature.

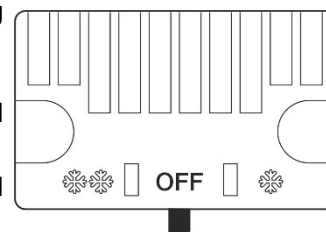


SMART (function available only for hotels): detects the presence of a guest in the room and starts the compressor when the guest leaves.

The minibar is set to NORMAL by default.

It is possible to adjust the storage temperature inside the minibar by using the selector positioned on the front of the minibar.

- when in the "OFF" position, the Minibar is switched off
- when in the "*" position, the Minibar operates at a higher constant internal temperature (less cold)
- when in the "**" position, the Minibar operates at a lower constant internal temperature (colder)



Important: changes in weather conditions (temperature and humidity) and the frequency with which the door is opened may affect the minibar's operating temperatures.



The SMART SYSTEM switches the compressor on and off according to whether the guest is in the room. An Energy Saver is required in order to use the SMART system. The customer enters the room and inserts the card into the card slot, the Energy Saver sends a signal to the Smart System to indicate that there is a guest in the room and the minibar's compressor stops (the products inside remain fresh for a long time because of the cold released by the accumulation plate). When the customer leaves the room and removes the card from the Energy Saver, another message is sent to the Smart System and the minibar starts up again. If the guest remains in the room for a long time and the cold that has accumulated in the plate runs out, the minibar starts up again automatically in order to keep the products inside it cool. The minibar operates in high energy saving mode if the room remains unoccupied for a long time.





WARNING!

To make the connection "SIGNAL" is necessary:

- purchase the appropriate cable (not supplied with the minibar), available from the retailer or qualified technical assistance.
- remove the rear panel (see instructions on the next page).

There are two power plugs (POWER and SIGNAL) on the back of the minibar.

Connect the "POWER" plug to the room socket to be used for the Minibar (socket not connected to the energy saving unit).

Connect the "SIGNAL" plug to any socket that is connected to the Energy Saver.

NOTE: The Minibar operates in NORMAL mode if the "SIGNAL" plug is not connected. This means that its operation is not based on the presence of a guest in the room and is regulated by the temperature chosen by the Customer through the selector described above.

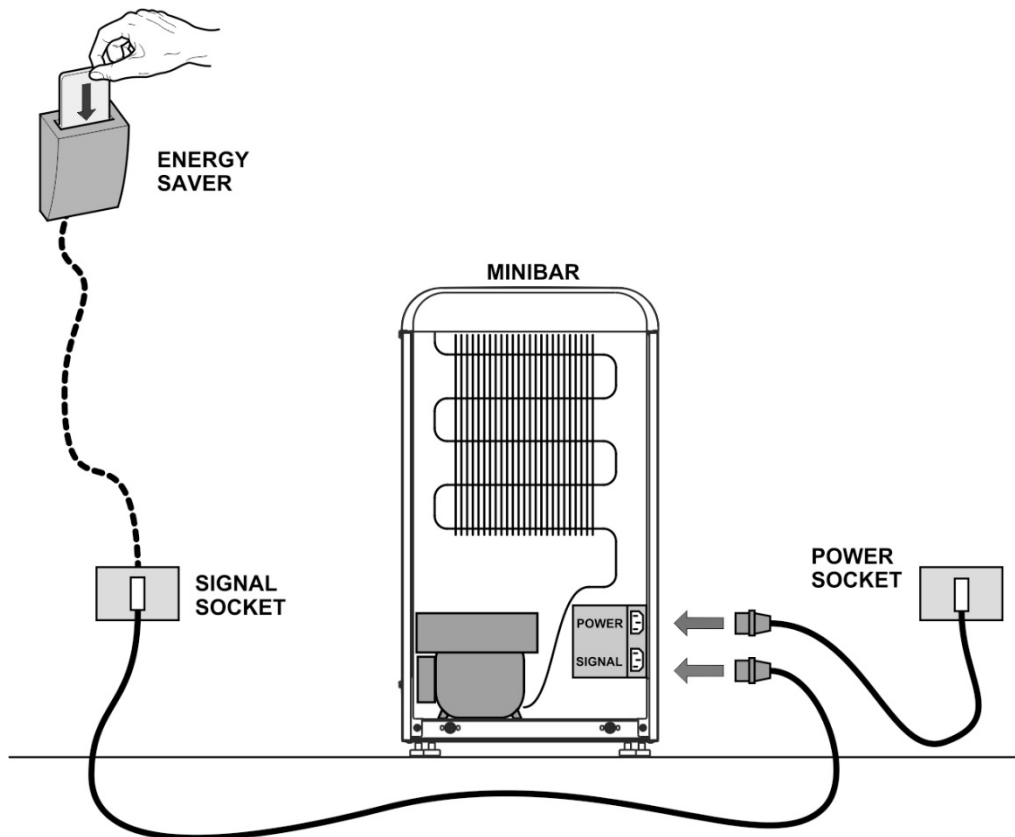
WARNING!

If the POWER and SIGNAL cables are inverted, the Minibar will operate when the guest is in the room and it will switch off when the guest is out of the room.

To make sure that the cables have been connected the right way round, make sure that the light inside the minibar lights up when the minibar door is opened, after making sure that:

- 1) The Energy saver is not in operation i.e. that a smart card has not been inserted.
- 2) The Minibar is switched on (the temperature selector on the front of the minibar is not in the "OFF" position)

If the light does not come on, invert the two power cables.



Warning!

If you switch the power off, do not turn it back on (reconnect the minibar to the power supply) for at least 15 minutes. Otherwise, the compressor may stop for a few minutes before resuming normal operation.



6. MAINTENANCE AND CLEANING

6.1 Cleaning the minibar

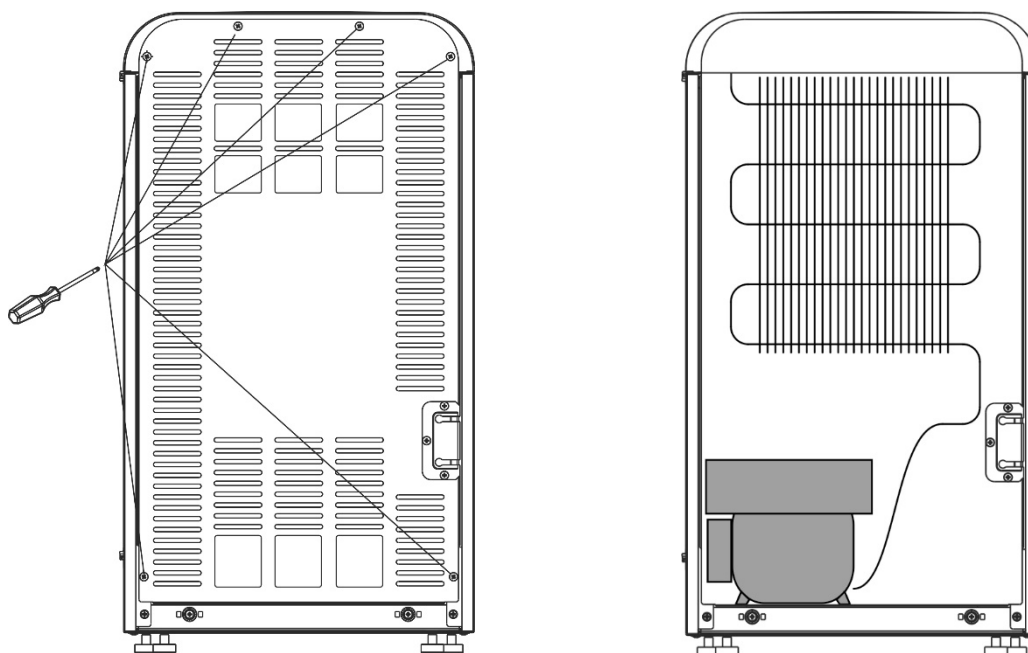
The minibar must never be cleaned by children.

Before cleaning, disconnect the electrical plug from the outlet. Clean the outside using only water and a gentle liquid detergent or an ordinary detergent for washable surfaces (such as a window-cleaning product). Never use products containing abrasives or substances which may attack the lacquered or painted parts, acids or chemical solvents. Use a sponge or a soft cloth. Do not use steam cleaners to clean the inside; we recommend the use of refrigerator-specific disinfectants.

Remove the shelves and accessories, taking care not to apply excessive force when removing. Follow the instructions provided in the "Top door shelf and bottle container" section carefully. Never wash removable plastic parts in the dishwasher; use only warm water and washing-up liquid or water and vinegar. Take care not to wet the electrical lighting components with water or detergents. Clean the seals with warm water and then dry.

Make a periodic check on the condensation drip tray at the rear, and clean it if necessary.

To access the condensation drip tray it is necessary to remove the rear panel.

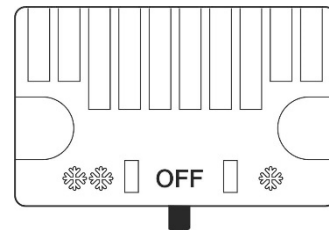




6.2 Switching off the minibar

If the minibar is to be out of use for some time, turn the temperature selector to **OFF**.

Then empty the minibar, disconnect it from the outlet, and dry any residual moisture which has collected. Leave the door ajar to prevent the humidity and trapped air from creating unpleasant smells.



6.3 Practical advice for saving energy

- Install the minibar in a cool, well ventilated place, protected against direct sunlight and well away from heat sources.
- Do not place hot foods in the minibar. Wait for foods and drinks to cool to room temperature before placing them on the shelves.
- Open the door as infrequently and for as short a time as possible to prevent the minibar from warming up too much.
- Clean the condenser (in the rear) periodically to prevent the minibar from losing efficiency.
- On models equipped with intensive cooling, do not leave this function activated for longer than absolutely necessary.
- If the minibar is to be out of use for a long period, it is best to empty it and switch it off.



7. TROUBLESHOOTING GUIDE

Your new minibar is designed and built to strict quality standards. This section is intended to enable you to identify the origin of any malfunctions which may occur before contacting the Smeg After-Sales Service.

PROBLEM	POSSIBLE CAUSE	PROBABLE SOLUTION
Minibar not cooled sufficiently:	<ul style="list-style-type: none"> - inside temperature setting thermostat set too low (★) (this corresponds to higher minibar temperature); - door opened often or for long periods; - door not closing properly; - rise in outside temperature. 	<ul style="list-style-type: none"> - turn the thermostat to ★★; - open the door less often and for as short a time as possible; - check that the foods are arranged on the shelves correctly and are not preventing the door from closing properly, and that the minibar is well levelled on the floor; - check that the gasket is sealing properly and is not damaged.
Too much condensation forming in minibar:	<ul style="list-style-type: none"> - check that the door gaskets are providing an airtight seal on the minibar; - door opened often or for long periods; - foods not properly covered or stored in airtight containers. 	<ul style="list-style-type: none"> - in case of cracks, try to soften the gasket by pulling it with one hand and sliding your closed fingers along the inside; - open the door less often and for shorter times, especially when the minibar is working in warm, humid conditions; - cover the containers and seal foods.
Temperature inside minibar too cold:	<ul style="list-style-type: none"> - cooling temperature thermostat device set too high (★★). 	<ul style="list-style-type: none"> - turn the selector to a lower setting (★).
If the minibar does not work or it malfunctions, make sure that:	<ul style="list-style-type: none"> - The plug is inserted correctly into the electrical socket - The electrical voltage is the same as the one indicated on the DATA PLATE - The Minibar has not been placed close to heat sources or in direct sunlight - There has not been a power failure 	<ul style="list-style-type: none"> - Place the plug correctly in the power socket - Check, together with a qualified technician, that the electrical voltage is the same as that required by the minibar - Move the Minibar to a suitable position - Wait for the power supply to come back on (the Minibar may not operate correctly for a few minutes).



DISPOSAL INSTRUCTIONS – OUR ENVIRONMENT POLICY

Our products are only packaged using non-pollutant, environment-friendly, recyclable materials. We urge you to cooperate by disposing of the packaging properly. Contact your local dealer or the competent local organisations for the addresses of collection, recycling and disposal facilities.

Never leave all or part of the packaging lying around. Packaging parts, and especially plastic bags, may represent a suffocation hazard for children.

Your old appliance must also be disposed of properly.

Important: deliver the appliance to your local organisation authorised to collect scrapped appliances. Proper disposal allows the intelligent recovery of valuable materials. Refrigeration appliances contain gases which may damage the environment; it is important to ensure that the refrigeration circuit pipelines are not damaged until the competent service has taken delivery of the appliance.

Before scrapping your appliance, it is important to remove doors and leave shelves in position as for use, to ensure that children cannot accidentally become trapped inside during play. Also, cut the power supply lead and remove it and the plug.