



Dishwasher

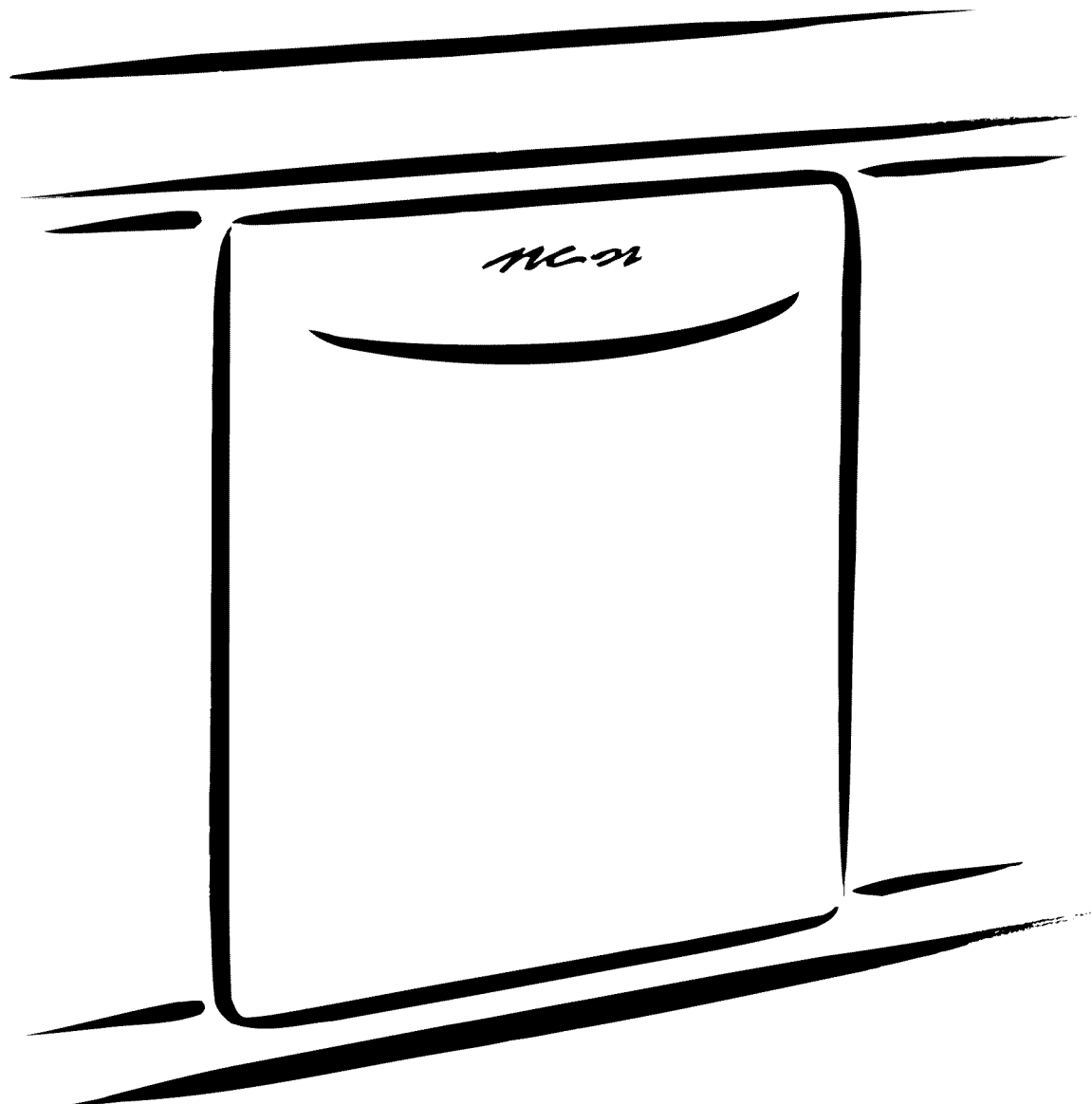
Use & Care Guide

Lavavajillas

Manual de uso y cuidado

Model/Modelo 587.1523*, 587.1623*, 587.1824*

*=color number, número de color



ENGLISH

ESPAÑOL

Table of Contents

Warranty	3
Safety Instructions	4
Before Using Your Dishwasher	5
Dishwasher Features	6
Wash System	7
Operating Instructions	7-9
Preparing and Loading Dishes	10-12
Dishwasher Dispenser and Detergents	13-14
Factors Affecting Performance	14
Care and Cleaning	15
Solutions to Common Dishwashing Problems	16-17
Service	Back Cover

Master Protection Agreements

Congratulations on making a smart purchase. Your new Kenmore® product is designed and manufactured for years of dependable operation. But like all products, it may require preventive maintenance or repair from time to time. That's when having a Master Protection Agreement can save you money and aggravation.

The Master Protection Agreement also helps extend the life of your new appliance. Here's what the Agreement* includes:

- ✓ **Parts and labor** needed to help keep products operating properly **under normal use**, not just defects. Our coverage goes **well beyond the product warranty**. No deductibles, no functional failure excluded from coverage - **real protection**.
- ✓ **Expert service** by a force of more than **10,000 authorized Sears service technicians**, which means someone you can trust will be working on your product.
- ✓ **Unlimited service and nationwide service**, as often as you want us, whenever you want us.
- ✓ **"No-lemon" guarantee** – replacement of your covered product if Four or more product failures occur within twelve months
- ✓ **Product replacement** if your covered product can't be fixed
- ✓ **Annual Preventive Maintenance Check** at your request - no extra charge
- ✓ **Fast help by phone** – we call it **Rapid Resolution** - phone support from a Sears representative on all products. Think of us as a "talking owner's manual"
- ✓ **Power surge protection** against electrical damage due to power fluctuations
- ✓ **\$250 Food Loss Protection** annually for any food spoilage that is the result of mechanical failure of any covered refrigerator or freezer.
- ✓ **Rental reimbursement** if repair of your covered product takes longer than promised
- ✓ **10% discount** off the regular price of any non-covered repair service and related installed parts.

Once you purchase the Agreement, a simple phone call is all that it takes for you to schedule service. You can call anytime day or night, or schedule a service appointment online.

The Master Protection Agreement is a risk free purchase. If you cancel for any reason during the product warranty period, we will provide a full refund. Or, a prorated refund anytime after the product warranty period expires. Purchase your Master Protection Agreement today!

Some limitations and exclusions apply. For prices and additional information call 1-800-827-6655.

***Coverage in Canada varies on some items. For full details call Sears Canada at 1-800-361-6665.**

Sears Installation Service

For Sears professional installation of home appliances, garage door openers, water heaters, and major home items, in the U.S.A. call 1-800-4-MY-HOME®.

ENGLISH

Kenmore Appliance Warranty

One Year Limited Warranty

When installed, operated and maintained according to all instructions supplied with the product, if this appliance fails due to a defect in material or workmanship within one year from the date of purchase, call 1-800-4-MY-HOME® to arrange for free repair. If this appliance is used for other than private family purposes, this warranty applies for only 90 days from the date of purchase.

This warranty covers only defects in material and workmanship. Sears will NOT pay for:

1. Expendable items that can wear out from normal use, including but not limited to filters, belts, light bulbs, and bags.
2. A service technician to instruct the user in correct product installation, operation or maintenance.
3. A service technician to clean or maintain this product.
4. Damage to or failure of this product if it is not installed, operated or maintained according to all instructions supplied with the product.
5. Damage to or failure of this product resulting from accident, abuse, misuse or use for other than its intended purpose.
6. Damage to or failure of this product caused by the use of detergents, cleaners, chemicals or utensils other than those recommended in all instructions supplied with the product.
7. Damage to or failure of parts or systems resulting from unauthorized modifications made to this product.

Disclaimer of implied warranties; limitations of remedies

Customer's sole and exclusive remedy under this limited warranty shall be product repair as provided herein. Implied warranties, including warranties of merchantability or fitness for a particular purpose, are limited to one year or the shortest period allowed by law. Sears shall not be liable for incidental or consequential damages. Some states and provinces do not allow the exclusion or limitation of incidental or consequential damages, or limitations on the duration of implied warranties of merchantability or fitness, so these exclusions or limitations may not apply to you.

This warranty applies only while this appliance is used in the United States and Canada.

This warranty gives you specific legal rights, and you may also have other rights which vary from state to state.

**Sears, Roebuck and Co.,
Dept. 817WA, Hoffman Estates, IL 60179
Sears Canada Inc.
Toronto, Ontario, Canada M5B 2B8**

In the space below, record your complete model number, serial number and purchase date. You can find this information on the model and serial number label, located as shown in the Dishwasher Features section of this book. Have this information available to help you quickly obtain assistance or service when you contact Sears concerning your appliance.

Model Number: 587. _____

Serial Number: _____

Purchase Date: _____

Save these instructions and your sales receipt for future reference.

ENGLISH

Dishwasher Safety

Your safety and the safety of others are very important.

We have provided many important safety messages in the manual and on your appliance. Always read and obey all safety messages.



This is the safety alert symbol.

This symbol alerts you to potential hazards that can kill or hurt you and others.

All safety messages will follow the safety alert symbol and either the word "DANGER" or "WARNING." These words mean:

⚠ DANGER

You can be killed or seriously injured if you don't immediately follow instructions.

⚠ WARNING

You can be killed or seriously injured if you don't follow instructions.

All safety messages will tell you what the potential hazard is, tell you how to reduce the chance of injury, and tell you what can happen if the instructions are not followed.

IMPORTANT SAFETY INSTRUCTIONS

WARNING: When using the dishwasher, follow basic precautions, including the following:

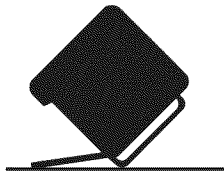
- n Read all instructions before using the dishwasher.
- n Use your dishwasher only as instructed in this Use and Care Guide.
- n Use only detergents or rinse agents recommended for use in a dishwasher, and keep them out of the reach of children.
- n When loading items to be washed:
 - Locate sharp items and knives so that they are not likely to damage the door seal or tub.
 - Load sharp items and knives with the handles up to reduce the risk of cut-type injuries.
- n Do not wash plastic items unless marked "dishwasher safe" or the equivalent. Check with manufacturer for recommendations, if not marked. Items that are not dishwasher safe may melt and create a potential fire hazard.
- n Do not touch the heating element during or immediately after use.
- n Do not operate your dishwasher unless all enclosure panels are properly in place.
- n If the dishwasher drains into a food disposer, make sure disposer is completely empty before running dishwasher.
- n Disconnect electrical power to dishwasher before servicing.
- n Do not tamper with controls.
- n Do not let children abuse, sit, stand or play on door or racks of a dishwasher.
- n Keep young children and infants away from dishwasher when it is operating.
- n Under certain conditions, hydrogen gas may be produced in a hot water system that has not been used for two weeks or more. **HYDROGEN GAS IS EXPLOSIVE.** If the hot water system has not been used for such a period, before using the dishwasher turn on all hot water faucets and let the water flow from each for several minutes. This will release any accumulated hydrogen gas. As the gas is flammable, do not smoke or use an open flame during this time.
- n To avoid entrapment and/or suffocation, remove door or door latch mechanism from any dishwasher that is discarded or not in use.

SAVE THESE INSTRUCTIONS

ENGLISH

Before Using Your Dishwasher

! WARNING



Tip Over Hazard

Do not use dishwasher until completely installed.

Do not push down on open door.

Doing so can result in serious injury or cuts.

! WARNING



Electrical Shock Hazard

Electrically ground dishwasher.

Connect ground wire to green ground nut in terminal box.

Do not use an extension cord.

Failure to do so can result in death, fire, or electrical shock.

GROUNDING INSTRUCTIONS

n For a grounded, cord-connected dishwasher:

The dishwasher must be grounded. In the event of a malfunction or breakdown, grounding will reduce the risk of electric shock by providing a path of least resistance for electric current. The dishwasher is equipped with a cord having an equipment-grounding conductor and a grounding plug. The plug must be plugged into an appropriate outlet that is installed and grounded in accordance with all local codes and ordinances.

WARNING: Improper connection of the equipment-grounding conductor can result in a risk of electric shock. Check with a qualified electrician or service representative if you are in doubt whether the dishwasher is properly grounded. Do not modify the plug provided with the dishwasher. If it will not fit the outlet, have a proper outlet installed by a qualified electrician.

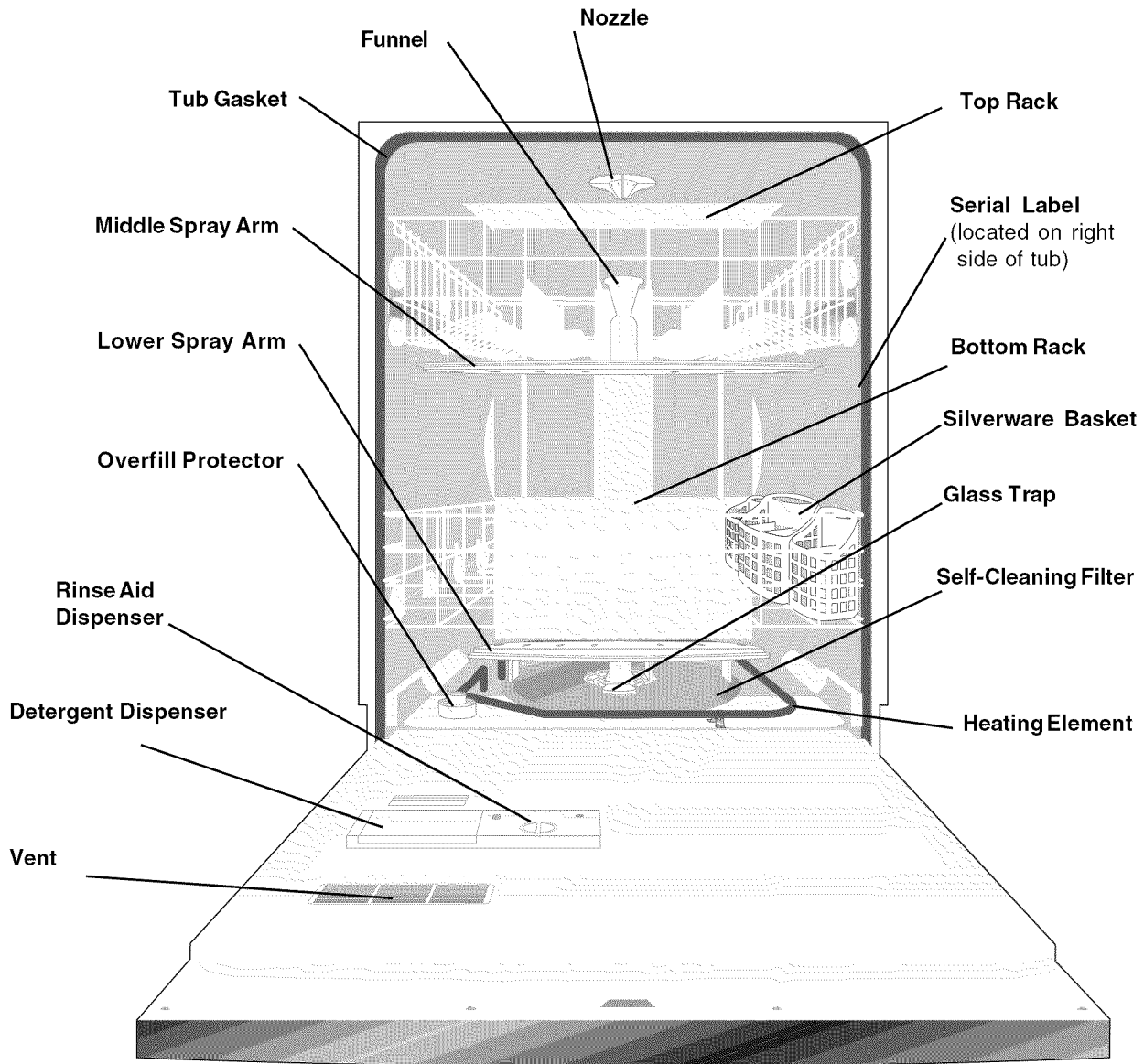
n For a permanently connected dishwasher:

The dishwasher must be connected to a grounded metal, permanent wiring system, or a equipment-grounding conductor must be run with the circuit conductors and connected to the equipment-grounding terminal or lead on the dishwasher.

SAVE THESE INSTRUCTIONS

ENGLISH

Dishwasher Features



ENGLISH

Operating Instructions

Wash System

Your Kenmore dishwasher filters 100% of the water for optimum cleaning. The wash system uses alternating arms to save water and energy and includes a heavy-duty stainless steel food disposer that grinds up large food particles.

How the wash system works

1. Load the dishwasher (See Preparing and Loading Dishes).
2. Hot water enters the dishwasher, covers the filter, and rises to the bottom of the heater clips.
3. Detergent is dispensed at the appropriate time and mixed with the hot water. This mixture is pumped through the lower spray arm and sprays against the soiled surfaces of the dishes to remove food particles.
4. Water passes through the fine mesh primary filter where food soil is removed and the clean water is then recirculated.
5. Ports under the lower wash arm direct the food soil through a secondary filter into a collection chamber.
6. Food soil is held in the collection chamber until it is flushed away during the drain cycle.
7. Clean, hot water enters the dishwasher and the sequence is repeated.
8. Beginning with the third water fill, the wash action switches between the lower spray arm and middle spray arm in 90 second intervals. You may notice a change in sound as the wash action pauses and switches to the other arm.
9. The dishwasher may pause during the cycle while water is being heated. Wash action will continue during this time.
10. Rinse aid is automatically dispensed in the final rinse to aid in drying.

Getting Started

1. Load dishwasher (See Preparing and Loading Dishes).
2. Add detergent (See Dishwasher Dispenser & Detergents).
3. Add rinse aid, if needed (See Rinse Aid).
4. Select desired CYCLE (See Cycle Chart).
5. Select desired OPTIONS (See Option Selections). The indicator will glow when selected.
6. If using WASH DELAY, follow DELAY START instructions on page 9.
7. Run hot water faucet nearest dishwasher until water is hot. Turn water off.
8. To start, press START/CANCEL pad.

Status Indicator Lights

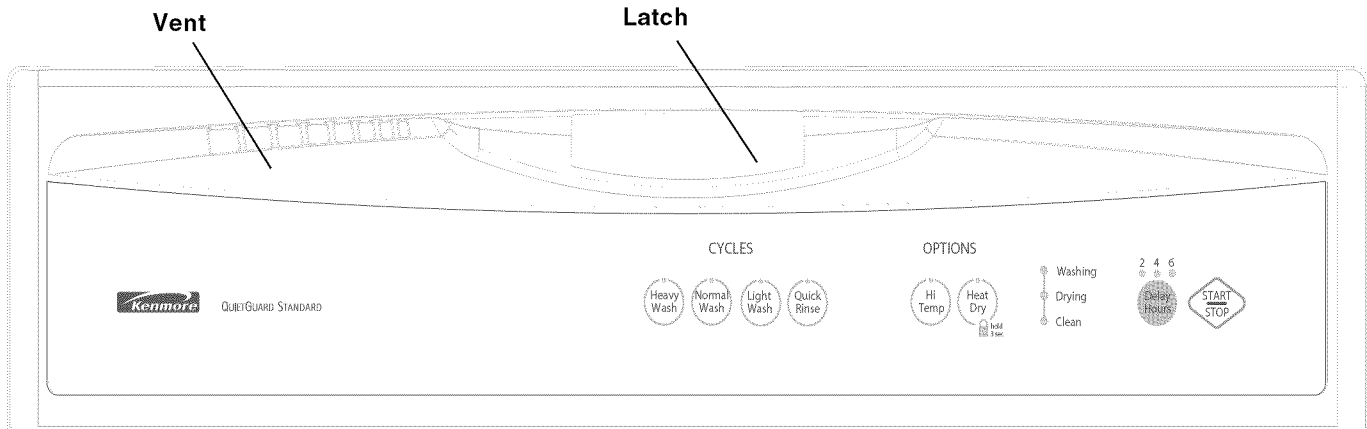
The WASHING light comes on at the beginning of cycle and remains on until the end of the final rinse.

The DRYING light indicates the drying portion of the cycle. The light will come on when either drying option is selected.

The CLEAN light will come on at end of cycle and remain on until door is opened.

ENGLISH

Operating Instructions (continued)



Appearance may vary from your model.

Wash Cycle Selections

Note: Cycle times are approximate and will vary with options selected. Not all cycles available on all models.

Cycle	Description	Cycle Chart		Water (approx.)	Time* (approx.)	Washes/Rinses
		To Select Cycle				
Heavy Wash	For heavily soiled dishes and silverware.	<ul style="list-style-type: none"> Select HEAVY WASH. Select desired OPTIONS. 		9.3 gal. 35.3 liters	2 1/2 hrs.	4 washes 4 rinses
Normal Wash	For regularly soiled dishes and silverware.	<ul style="list-style-type: none"> Select NORMAL WASH. Select desired options. 		4.9 gal. 18.4 liters	1 3/4 hrs.	3 washes 1 rinses
Light Wash	For lightly soiled or pre-rinsed dishes and silverware.	<ul style="list-style-type: none"> Select LIGHT WASH. Select desired options. 		4.8 gal. 18.3 liters	1 1/2 hrs.	2 wash 2 rinses
Quick Rinse	For rinsing dishes that will be washed later.	<ul style="list-style-type: none"> DO NOT USE detergent. Select QUICK RINSE. Select HEAT DRY OFF. 		2.4 gal. 9.1 liters	1/4 hrs.	2 rinse

* Includes dry time.

ENGLISH

Operating Instructions (continued)

Option Selections

Hi Temp Wash Option

When HI TEMP WASH option is selected, the dishwasher heats the water in the main wash to approximately 140°F (60°C). Wash action will continue but timer will not advance until proper temperature is reached. The hotter water provided by this option helps activate dishwasher detergent to clean food grease and soil from dishes. HI TEMP WASH option can be used with any cycle except QUICK RINSE.

When HI TEMP WASH option is selected, the light above the pad will come on and remain on until end of cycle. To turn off the HI TEMP WASH option, press the pad a second time. The light above the pad will turn off.

To turn off the HI TEMP option, press the pad a second time. The light above the pad will turn off.

Heat Dry Option

The HEAT DRY option in combination with rinse aid will give you excellent drying results. The energy to use HEAT DRY costs pennies per cycle. You may turn off the HEAT DRY option, however you will have items in your dish load that will not be dry at the end of the cycle.

With either option, you may see water vapor coming from vent during the drying portion of the cycle. Some models have a vent that is closed during washing to hold moisture and sound inside and then opens for drying.

To turn off the HEAT DRY option, press the pad a second time. The light above the pad will turn off.

The drying option may be changed at any time during the cycle and affects only the drying period.

Delay Start

The DELAY START option allows you to automatically delay starting your dishwasher from 2-4-6 hours.

On models with 2-4-6 hour delay, press the pad once for a 2 hour delay, twice for 4 hours and three times for 6 hours. A light will come on indicating the delay start hours and will remain on until cycle starts.

To cancel the DELAY START option and begin the cycle before the delay period is over, press the START/CANCEL pad.

To Cancel a Cycle

You can cancel a cycle anytime during the cycle. Press START/CANCEL pad and the dishwasher will start a 90 second drain. At the end of the drain, select the desired cycle.

Child Lock Controls

To prevent children from accidentally changing the dishwasher cycle or starting the dishwasher, lock the dishwasher controls by pressing and releasing the HEAT DRY pad for 3 seconds while the door is latched. An indicator light on the lock graphic pad will illuminate when the controls are locked and no new selections can be made until the lock is released. To unlock the controls, press the HEAT DRY pad until the indicator light goes out.

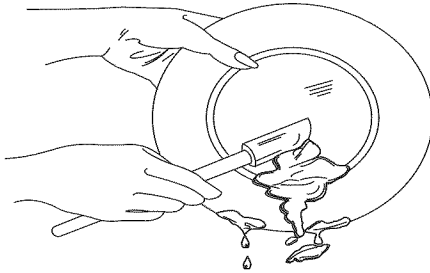
Preparing and Loading Dishes

Dish Preparation

Scrape away large pieces of food, bones, pits, toothpicks, etc. The continuous filtered wash system will remove remaining food particles. Burned-on foods should be loosened before loading. Empty liquids from glasses and cups.

Foods such as mustard, mayonnaise, vinegar, lemon juice and tomato based products may cause discoloration of stainless steel and plastics if allowed to sit for a long period of time. Unless the dishwasher is to be operated at once, it is best to rinse off these food soils.

- Load racks so that large items do not prevent the detergent dispenser from opening.



- Check manufacturer's recommendations before washing items in question.
- If the dishwasher drains into a food disposer, **be sure disposer is completely empty before starting dishwasher.**

Loading the Top Rack

Features and appearance of racks and silverware basket may vary from your model.

Important: Do not cover the funnel when loading.

The top rack is designed for flexibility in loading a wide variety of items including cups, glasses, stemware, small plates, bowls, etc.

Load glasses in top rack. Damage may occur if placed in bottom rack.

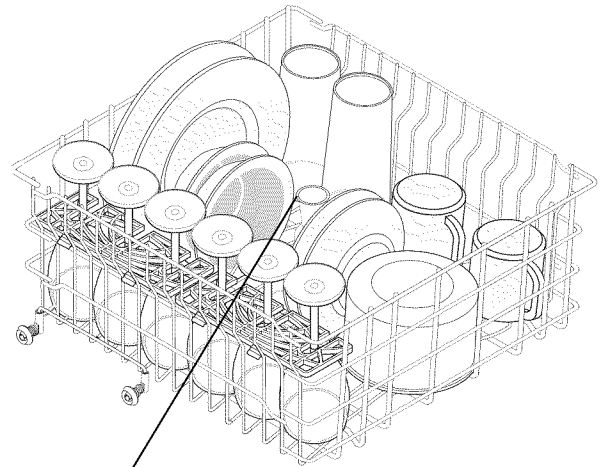
Load plastic items in top rack only. Melting may occur if placed in bottom rack.

Load items with open ends facing down for better cleaning and draining.

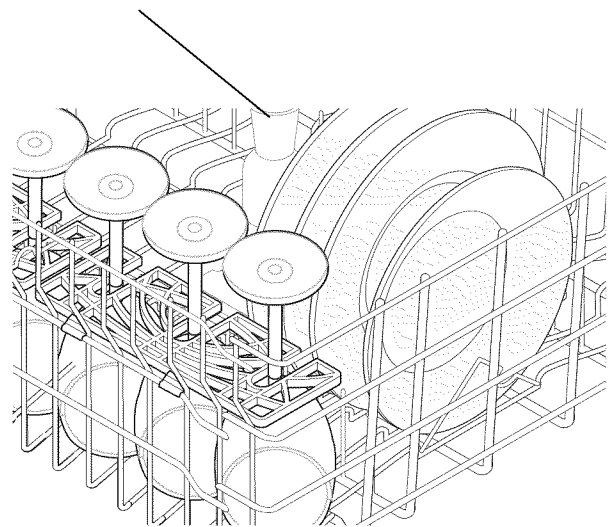
Damage may occur if delicate items touch each other during dishwasher operation.

Long-handled knives and utensils can be placed in top rack.

Be sure nothing protrudes through the bottom of the rack to block rotation of middle spray arm.



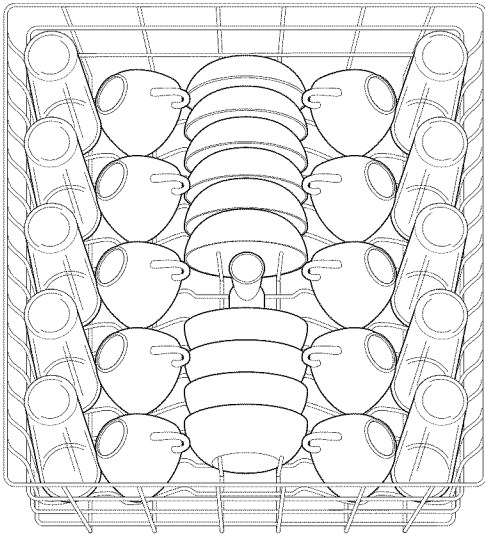
Do not cover funnel



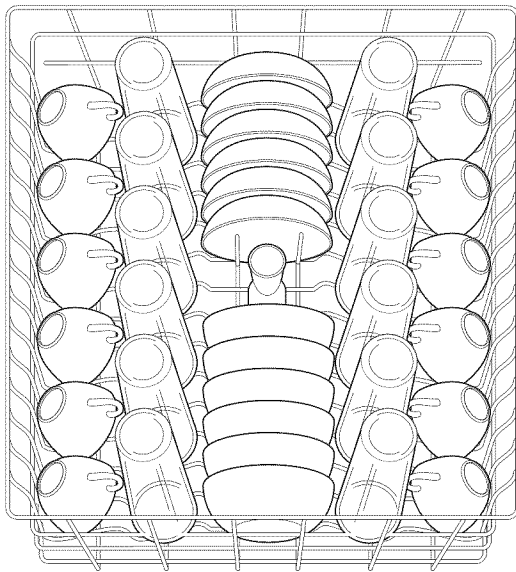
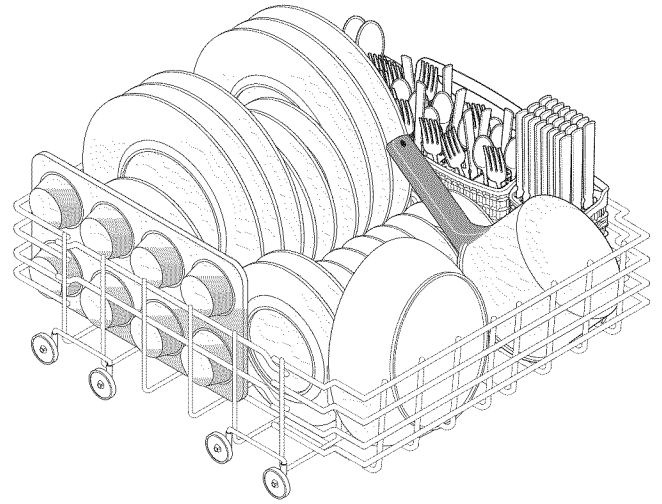
Some models have a fold-down cup shelf or a cup shelf/stemware holder. They can be used to load two levels of cups, juice glasses, and other short items. Stagger items on upper level so that water can reach all inside surfaces. Fold up to load tall glasses.

ENGLISH

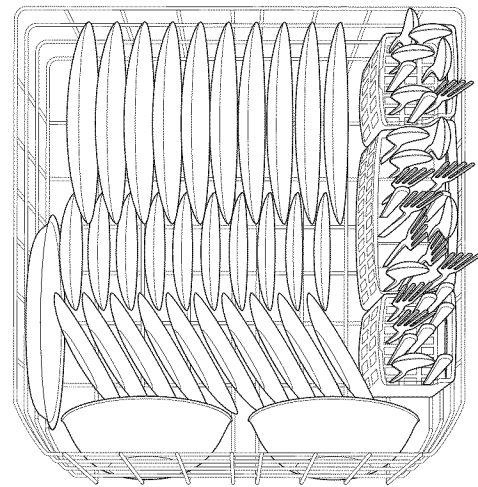
Preparing and Loading Dishes (continued)



10 place setting



12 place setting



10 place setting

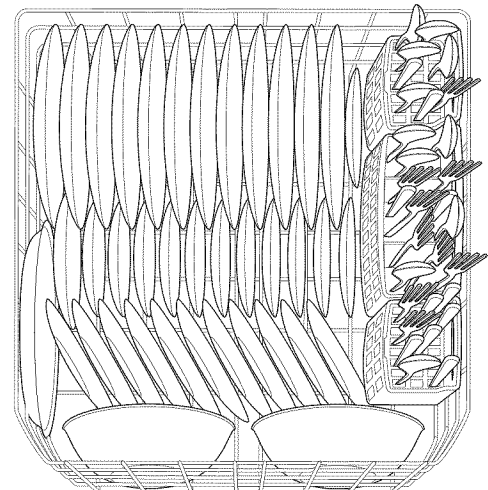
Loading the Bottom Rack

Features and appearance of racks and silverware basket may vary from your model.

The bottom rack is best for plates, saucers, bowls, and cookware. Large items should be placed along the edge so they do not block the spray arm rotation. For best results, place bowls, casseroles, and sauce pans with soiled surface facing down or toward the center. Tilt slightly for better drainage.

Make sure tall items do not block spray arm rotation.

Be sure pan handles do not protrude through the bottom of the rack and block the spray arm rotation.



12 place setting

Preparing and Loading Dishes (continued)

Loading the Silverware Basket

⚠ CAUTION

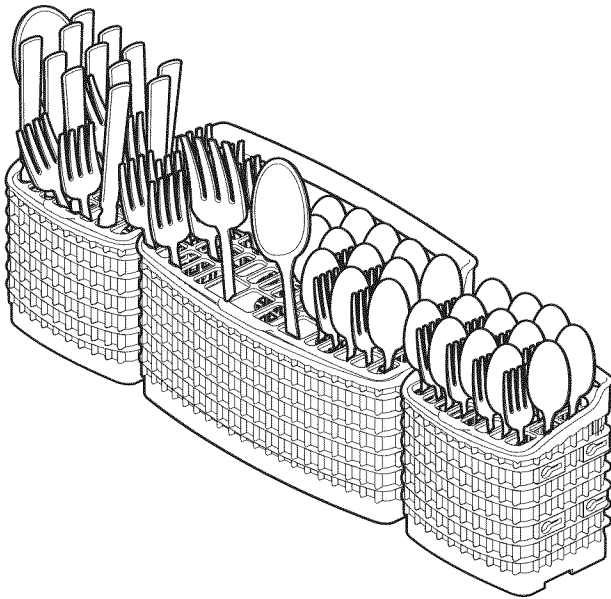
Cut Injury

Load sharp items (knives, skewers, etc.) pointing down.

Failure to do so may result in injury.

Load the silverware basket while it is in the bottom rack or take the basket out for loading on a counter or table.

Place small items like baby bottle caps, jar lids, corn cob holders, etc., in a covered section. Close the cover to hold small items in place.



Features and appearance of racks and silverware basket may vary from your model.

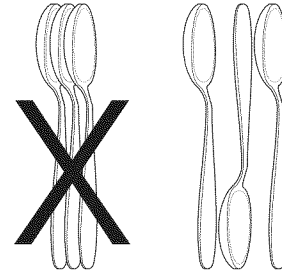
Use suggested loading patterns, as shown, to increase washability of your silverware.

Be sure nothing protrudes through bottom of basket or rack to block the spray arm.

Do not mix silver and stainless to avoid damaging the silver finish.

The silverware basket can be separated and placed in several locations in the bottom rack. Load silverware in all sections or just one, depending on your load.

When covers are up, mix items in each section of the basket with some pointing up and some down to avoid nesting. Water spray cannot reach nested items.



Adding a Dish

To add or remove items after wash cycle starts:

- Unlatch door and wait a few seconds until wash action stops before opening.
- Add the item and wait a few seconds to allow cold air to slowly expand inside dishwasher.
- Close door firmly to latch and resume cycle.

ENGLISH

Dishwasher Dispenser & Detergents

Filling the Detergent Dispenser

The detergent dispenser has one main wash cup and one prewash cup. The covered cup opens automatically to release detergent.

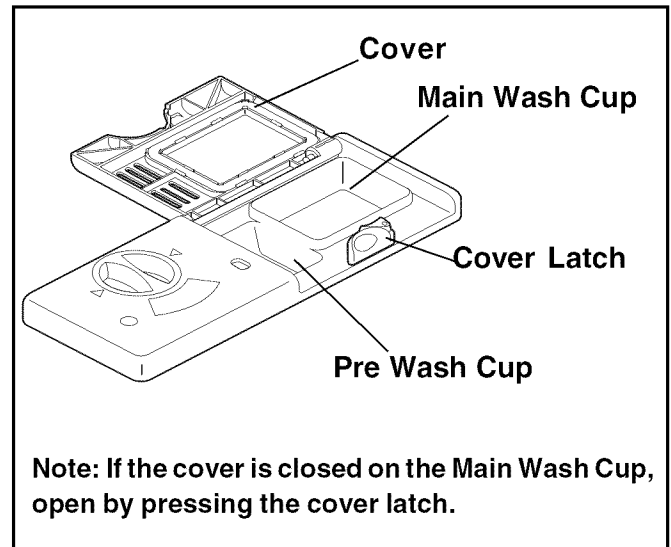
- Use only fresh automatic dishwashing detergent. Other detergents will cause oversudsing.
- When using automatic dishwashing detergent tabs, place one tab in main wash cup and close.
- Add detergent just before starting cycle.
- Store detergent in a cool, dry location. Moist or caked detergent will not dissolve properly.

CAUTION

The use of industrial grade detergent can damage the heating coil and other parts of the dishwasher leading to damage to the unit and surrounding property. Use only household grade automatic dishwasher detergents.

How much Detergent to use

The amount of detergent to use depends on the water hardness. Water hardness is measured in grains per gallon. Using too little detergent can result in poor cleaning and hard water filming or spotting. Using too much detergent in soft water can cause a permanent film called etching. Your local water company, water softener company or county extension agent can tell you the water hardness in your area.



Detergent Usage Guide

Cycle	Soft Water (0-3 grains)	Medium Hard Water (4-8 grains)	Hard Water (9-12 grains)	Very Hard Water* (over 12 grains)
Heavy Wash or Normal Wash	2 teaspoons (each cup— 1/4 full)	5 teaspoons (each cup—fill to line above "Regular")	8 teaspoons (each cup— completely full)	Each Cup— Completely Full (water softener recommended)
Light Wash	2 teaspoons (Main Wash cup— 1/4 full)	5 teaspoons (Main Wash cup—fill to line above "Regular")	8 teaspoons (Main Wash cup— completely full)	Main Wash Cup— Completely Full (water softener recommended)
Quick Rinse	No Detergent	No Detergent	No Detergent	No Detergent (water softener recommended)

*Note: For very hard water, detergent alone may not be enough. A water softener is recommended to improve water quality and dishwashing performance. Try adding more detergent at the beginning of the main wash portion of the cycle. As a rule, use 1 teaspoon for each grain above 12. Unlatch the door, open slowly and add detergent to the bottom of the tub. Close the door to latch and the dishwasher will continue through the cycle.

Dishwasher Dispenser & Detergents (continued)

Rinse Aid

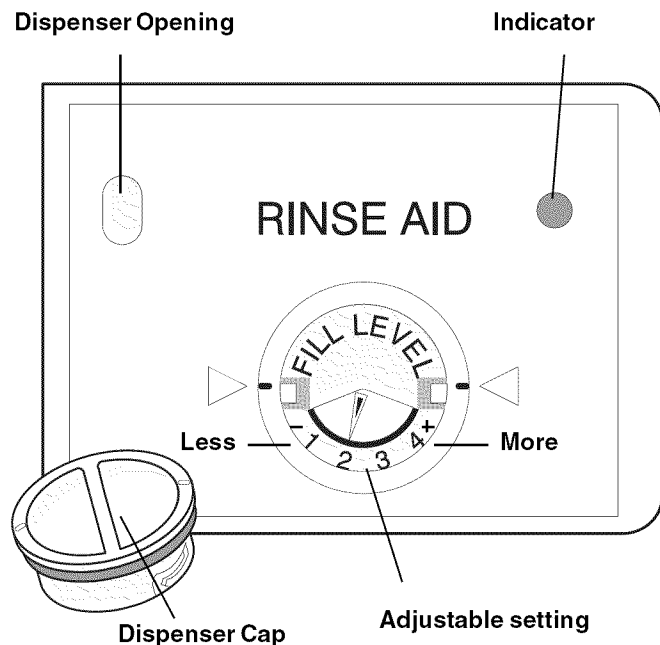
Rinse aid greatly improves drying and reduces water spots and filming. Water "sheets" off dishes rather than forming water droplets that cling and leave spots.

A dispenser, located next to the detergent cup, automatically releases a measured amount of rinse aid during the last rinse. If spotting and poor drying are problems, increase the amount of rinse aid dispensed by rotating the dial to a higher number. The dial is located under the dispenser cap. The indicator will be dark when full and will show clear when it is time to refill.

To add liquid rinse aid, turn dispenser cap 1/4 turn counterclockwise and lift out. Pour in rinse aid until liquid touches the indicated fill level. Replace cap.

Do not overfill since this can cause oversudsing. Wipe up any spills with a damp cloth.

The dispenser holds enough for 35 to 140 washes, depending on setting.



The HEAT DRY option in combination with rinse aid will give you excellent drying results. The energy to use HEAT DRY costs pennies per cycle. You may turn off the HEAT DRY option, however you will have items in your dish load that will not be dry at the end of the cycle.

Factors Affecting Performance

Water Pressure

The hot water line to dishwasher must provide water pressure between 20 and 120 psi.

Low water pressure may occur when laundry or showers are in operation. Wait until water use is reduced before starting dishwasher.

Water Temperature


Hot water is needed for best dishwashing and drying results. Water entering dishwasher should be 120°F (49°C) to give satisfactory results.

To check water temperature entering dishwasher:

- Turn on hot water faucet nearest dishwasher for several minutes to clear cool water from pipes.
- Hold a candy or meat thermometer in stream of water to check the temperature.
- If temperature is below 120°F (49°C), have a qualified person raise the hot water heater thermostat setting.

Important: Before starting a cycle, run hot water to clear cool water from pipe.

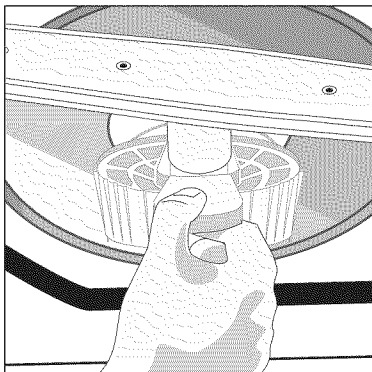
Care and Cleaning

⚠ WARNING	
	Burn Hazard Allow heating element to cool before cleaning the interior. Failure to do so can result in burns.

Outside—Occasionally wipe with a mild nonabrasive detergent and water. Rinse and dry.

Inside—The inside of the dishwasher is self-cleaning with normal use. If needed, clean around the tub gasket area with a damp cloth.

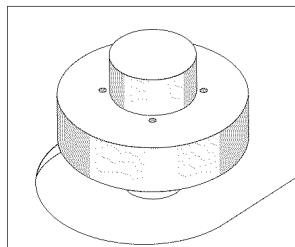
The filter is self-cleaning. A glass trap located in the center of the filter is designed to collect pieces of broken glass, straws, bones and pits. To remove items in glass trap, grasp handle, lift out, empty and replace.



Note: Hard water may cause lime deposit buildup on the interior of the dishwasher. For cleaning instructions see “Removing Spots and Film” section.

Overfill Protector—keeps dishwasher from overflowing and is located in the left front corner of the tub.

- Clean occasionally with household cleaner containing vinegar or bleach to dissolve any buildup.
- Overfill Protector should move up and down freely about one inch. If it does not move, lift and clean underneath.



Care of Drain Air Gap

If a drain air gap was installed for your built-in dishwasher, check to make sure it is clean so the dishwasher will drain properly. A drain air gap is usually mounted on countertop and can be inspected by removing the cover. This is not part of your dishwasher and is not covered by warranty.

⚠ CAUTION
Property Damage Hazard
Freezing temperatures may cause water lines to rupture. Be sure all supply lines to and circulating lines within dishwasher are protected.
Failure to do so could result in property damage.

Winterizing

A dishwasher left in an unheated place should be protected from freezing. Have a qualified person do the following:

To Disconnect Service:

1. Turn off electrical power to the dishwasher at the supply source by removing fuses or tripping circuit breaker.
2. Shut off water supply.
3. Place a pan under the inlet valve. Disconnect water line from inlet valve and drain into pan.
4. Disconnect drain line from pump and drain water into pan.

Note: See Installation Instructions for more details.

To Restore Service:

1. Reconnect the water, drain and electrical power supply.
2. Turn on water and electrical power supply.
3. Fill both detergent cups and run dishwasher through a NORMAL cycle.
4. Check connections to make sure they do not leak.

Note: See Installation Instructions for more details.

Solutions to Common Dishwashing Problems

Before calling for service, review this list. It may save you both time and expense. This list includes common experiences that are not the result of defective workmanship or material in your dishwasher.

Food Soils Left on Dishes

- Choose another cycle for longer washing time.
- Check rack loading section for proper loading—avoid nesting items.
- Home water pressure may be too low—should be 20 to 120 pounds per square inch (psi).
- Check incoming water temperature. It should be 120°F (49°C). (See Factors Affecting Performance.)
- Check water hardness. For extremely hard water, it may be necessary to install a water softener. (See Detergent Chart.)
- Use fresh detergent.
- Check to make sure funnel in top rack is not blocked.
- Make sure items are not blocking the spray arms, preventing them from rotating.

Dishes not Dry

- Select HEAT DRY option.
- Make sure the rinse aid dispenser is filled.
- Increase the amount of rinse aid. (See Rinse Aid.)
- Check the incoming water temperature. It should be 120°F (49°C).
- Check for proper loading—avoid nesting items.
- Plastic items may need to be towel dried.
- Cups with a concave bottom will collect water.

Glassware/Flatware Spotted or Cloudy

- Check water hardness. For extremely hard water, it may be necessary to install a water softener. (See Dishwasher Dispenser & Detergents.)
- Water temperature may be low. Avoid extremely low or high temperatures. (See Factors Affecting Performance.)
- Avoid overloading and improper loading. (See Preparing and Loading Dishes.)
- Use fresh detergent. Old detergent is ineffective.
- Make sure rinse aid dispenser is filled.
- Check to see that proper amount of detergent is being used for cycle selected. Also, check phosphate level. (See Detergent Usage Guide.)
- Home water pressure may be too low—it should be 20 to 120 pounds per square inch (psi).

Dishware Chipped

- Load with care and do not overload. (See Preparing and Loading Dishes.)
- Place delicate items in top rack.
- Place glasses securely against pins and not over pins.
- Load items so they are secure and don't jar loose when moving racks in and out. Move racks in and out slowly.
- Make sure tall glasses and stemware will clear top of tub when rack is pushed in.
- Fine antique china and crystal should be hand-washed.

Dishware Stained or Discolored

- Tea and coffee can stain cups. Remove the stains by hand washing in a solution of 1/2 cup (120 ml) bleach and one quart (1 L) of warm water. Rinse thoroughly.
- Iron deposits in water can cause a yellow or brown film. A special filter installed in the water supply line will correct this problem. (See Removing Spots and Film.)
- Aluminum utensils can leave gray/black marks when they rub against other items. Load properly.
- Certain high acid foods can cause discoloration of stainless steel and plastics if allowed to sit for a long period. Use the QUICK RINSE cycle or rinse by hand if not operating dishwasher at once.
- Mixing stainless steel and silver utensils in silverware basket can cause pitting of the stainless steel blades. Avoid mixing stainless steel and silver.

Etching

- Using too much detergent in soft or softened water causes this film that cannot be removed.
- Adjust the amount of detergent based on the water hardness. (Check Detergent Usage Guide.)
- Lower the water temperature.

Detergent Left in Cups

- Detergent may be old. Discard and use fresh detergent.
- Be sure water action can reach the dispenser.
- Check to see if cycle has been completed.
- Make sure items do not prevent the detergent dispenser from opening.

Solutions to Common Dishwashing Problems (continued)

Dishwasher Leaks

- Use only fresh detergent designed for automatic dishwashers. Measure detergent carefully. Try a different brand.
- Spilled rinse aid can cause foam and lead to overflowing. Wipe up any spills with a damp cloth.
- Check to see that dishwasher is level. (See Installation Instructions.)

Normal Sounds You Will Hear

- Normal sounds include water fill, water circulation and motor sounds.
- There is a noticeable change in sound when the wash action switches between the lower and middle spray arm. This is normal since each spray arm has its own sound.
- It is normal for dishwasher to pause (no sound) when the wash action is switching between the lower and middle spray arms.

Water in Bottom of Tub

- Water left in bottom of tub after cycle is complete is not normal. If water remains in the bottom of the tub, dishwasher may not be draining properly. (See Dishwasher Does Not Drain Properly.)

Vapor at Vent

- Water vapor escapes from the vent during the drying part of cycle. This is normal.

Dishwasher Won't Start

- Check to see if circuit breaker is tripped or if a fuse is blown.
- Make sure water supply is turned on.
- Check to see if cycle is set correctly. (See Operating Instructions.)
- Is dishwasher set for delay start option?
- Make sure door is closed and latched.

Dishwasher Does Not Drain Properly

- If unit is hooked up to a food waste disposer, make sure the disposer is empty.
- Check to see if the knockout plug has been removed from inside the food waste disposer inlet.
- Check to see if drain hose is kinked.
- Make sure cycle is complete, not in a pause.

Cycle Takes a Long Time

- Is cycle in a water heating delay?
- Check incoming water temperature. It should be 120°F (49°C).
- Has the delay start option been selected?

Dishwasher Won't Fill

- Is water supply turned on?
- Does overflow protector move up and down freely? (See Overflow Protector section.)
- The normal full water level of the dishwasher will only reach the bottom of the heater clips.

Dishwasher Has an Odor

- Soiled dishes left in dishwasher too long can create an odor. Use the QUICK RINSE cycle.
- There will be a "new" smell when first installed. This is normal.
- Check to see if unit is draining properly. (See Dishwasher Does Not Drain Properly.)

Stains on Tub Interior

- Washing large amounts of dishware with tomato based soil can cause a pink/orange appearance. This will not affect performance and will gradually fade over time. Pre-rinsing or using the QUICK RINSE cycle will reduce the chance of staining. Using the heat dry off option will lessen staining.

Removing Spots and Film

Hard water can cause lime deposit buildup on the interior of the dishwasher. Dishes and glasses may also get spots and film for a number of reasons. (See Glassware/Flatware Spotted or Cloudy section.) To remove buildup, spots and film, clean using the following instructions:

1. Load clean dishes and glasses in normal manner. Do not load any metal utensils or silverware.
2. Do not add detergent.
3. Select the HEAVY WASH cycle. Close and latch door.
4. Allow dishwasher to run for 20 minutes to reach the main wash portion of cycle.
5. Unlatch and open door and pour 2 cups of white vinegar into the bottom of dishwasher.
6. Close and latch door and allow cycle to finish.

Note: If these conditions persist, a home water softener should be considered.

Notes

ENGLISH



Tabla de Materias

Garantía	20
Instrucciones de Seguridad	21
Antes de Usar su Lavavajillas	22
Características del lavavajillas	23
Sistema de Lavado	24
Instrucciones de Funcionamiento	24-26
Preparación y Carga de la Vajilla	27-29
Distribuidor y Detergentes del Lavavajillas	30-31
Factores que Afectan el Rendimiento	31
Cuidado y Limpieza	32
Soluciones a Problemas Comunes del Lavado de Vajillas	33-35
Servicio	Portada trasera

Contratos de Protección

Enhorabuena por haber hecho una compra inteligente. Su nuevo producto Kenmore® está diseñado y fabricado para brindarle años de funcionamiento fiable. Pero, como cualquier producto, puede necesitar mantenimiento preventivo o reparaciones periódicas. Es por eso que tener un Acuerdo maestro de protección podría ahorrarle dinero y molestias.

El Acuerdo maestro de protección también sirve para prolongar la durabilidad de su nuevo producto. El acuerdo* incluye lo siguiente:

- ✓ **Piezas y mano de obra** necesarias para contribuir a mantener el funcionamiento adecuado de los productos **utilizados en condiciones normales de uso**, no sólo en caso de defectos de los productos. Nuestra cobertura va **mucho más allá que la garantía del producto**. No se aplican deducibles ni exclusiones por fallas del funcionamiento: es decir, **verdadera protección**.
- ✓ **Servicio técnico por expertos (más de 10000 técnicos autorizados de Sears)**, lo cual significa que quien repare o realice el mantenimiento de su producto será un profesional de confianza.
- ✓ **Servicio técnico a escala nacional y número ilimitado de llamadas de solicitud de servicio técnico**: se puede poner en contacto con nosotros cuantas veces lo desee y cuando lo desee.

- ✓ **Garantía “sin sorpresas”**: se reemplaza el producto cubierto por el acuerdo si ocurren cuatro o más fallas del producto en un periodo de 12 meses.
- ✓ **Reemplazo del producto**: en caso de que no se pueda reparar el producto cubierto por el acuerdo.
- ✓ **Revisión anual preventiva de mantenimiento del producto**: puede solicitarla en cualquier momento, sin costo alguno.
- ✓ **Rápida asistencia telefónica, la cual denominamos Solución rápida**: es decir, asistencia telefónica a través de cualquiera de nuestros representantes de Sears, sobre cualquiera de nuestros productos. Piense en nosotros como en un “manual parlante del usuario”.
- ✓ **Protección contra fallas eléctricas**, contra daños debidos a fluctuaciones de la corriente eléctrica.
- ✓ **\$250 al año para cubrir cualquier posible deterioro de alimentos** que haya tenido que desechar debido a una falla mecánica de cualquiera de nuestros refrigeradores o congeladores cubiertos por este acuerdo.
- ✓ **Devolución de gastos de alquiler de electrodomésticos** si la reparación de su producto asegurado toma más que el tiempo prometido.
- ✓ **10% de descuento** aplicable tanto a los costos del servicio de reparación, como de las piezas instaladas relacionadas que no hayan quedado cubiertos por este acuerdo.

Una vez que haya realizado el pago de este acuerdo, bastará una simple llamada telefónica para concertar una visita de servicio. Puede llamar a cualquier hora del día o de la noche, o bien concertar una visita de servicio por Internet.

La adquisición del Acuerdo maestro de protección es una inversión exenta de riesgos. Si por cualquier motivo decide cancelar dicho acuerdo durante el periodo de garantía del producto, le haremos un reintegro total del valor. O bien un importe proporcional si cancela el acuerdo en cualquier otro momento posterior al vencimiento del periodo de garantía del producto. ¡Adquiera hoy mismo su Acuerdo maestro de protección!

Algunas limitaciones y exclusiones podrían aplicarse. Para solicitar precios e información adicional, llame al 1-800-827-6655 (en los EE.UU.).

*** La cobertura en Canadá varía en el caso de algunos artículos. Para obtener detalles completos al respecto, llame al 1-800-361-6665 de Sears de Canadá.**

Servicio de instalación de Sears

Para solicitar la instalación por profesionales de Sears de electrodomésticos, abridores de puertas de garaje, calentadores de agua y otros artículos de uso prioritario en el hogar, llame al **1-800-4-MY-HOME** en los EE.UU. o Canadá.

GARANTÍA DE ELECTRODOMÉSTICOS KENMORE

Garantía limitada de un año

Si esta cubierta, cuando se instala y se utiliza de acuerdo con las instrucciones de instalación y la guía de uso y cuidado, falla debido a defectos de material o mano de obra durante el primer año a partir de la fecha de compra, llame al 1-800-4-MY-HOME® para hacer arreglos para que sea reparada (o reemplazada si no se puede reparar) gratuitamente.

Si este electrodoméstico se usa para fines que no sean privados de familia, esta garantía es válida únicamente por 90 días a partir de la fecha de compra.

Esta garantía cubre únicamente los defectos de material y mano de obra. Sears NO pagará lo siguiente:

1. Artículos desechables que se desgasten por uso normal, incluyendo sin limitarse a los filtros, correas, bombillas y bolsas.
2. Técnicos de servicio que instruyan al usuario en la manera adecuada de instalar, utilizar o mantener el producto.
3. Técnicos de servicio que limpien o realicen mantenimiento al producto.
4. Daños o fallas de este producto si el mismo no fue instalado, utilizado o mantenido de acuerdo con todas las instrucciones proporcionadas con el producto.
5. Daños o fallas de este producto por accidente, abuso o mal uso del producto o uso para fines para los cuales no fue diseñado.
6. Daños o fallas de este producto por el uso de detergentes, limpiadores, químicos o utensilios que no sean los recomendados en todas las instrucciones proporcionadas con el producto.
7. Daños o fallas de piezas o sistemas por modificaciones al producto que no hayan sido autorizadas.

Renuncia de responsabilidades de garantías implícitas; limitación de acciones legales

La única y exclusiva opción del cliente bajo esta garantía limitada es la reparación del producto según se indica. Las garantías implícitas, incluyendo las garantías de comercialización o aptitud del producto para un propósito específico, están limitados a un año o al período mínimo permitido por ley. Sears no será responsable por daños consecuentes o incidentales. Algunos estados y provincias no permiten la exclusión o limitación de daños incidentales o consecuentes o las limitaciones de duración de las garantías implícitas de comercialización o aptitud, por lo que estas exclusiones o limitaciones pueden no aplicarse en su caso.

Esta garantía se aplica únicamente mientras este electrodoméstico esté en uso dentro de los Estados Unidos o Canadá.

Esta garantía le otorga derechos legales específicos. Usted puede tener además otros derechos que varían de un estado a otro.

**Sears, Roebuck and Co.,
Dept. 817WA, Hoffman Estates, IL 60179**

**Sears Canada Inc.
Toronto, Ontario, Canada M5B 2B8**

En el espacio a continuación, anote su número de modelo completo, el número de serie y la fecha de compra. Esta información puede encontrarse en la etiqueta del número de modelo y serie que se encuentra en el lugar que se muestra en la sección de Características del Lavavajillas de este libro. Tenga esta información a mano para que le ayude a obtener ayuda y servicio rápidamente cuando llame a Sears con respecto a su aparato doméstico.

Número de Modelo: 587. _____

Número de Serie: _____

Fecha de Compra: _____

Guarde estas instrucciones y su recibo de compra para referencia futura.

ESPAÑOL

Seguridad del Lavavajillas

Su seguridad y la seguridad de otros son muy importantes.

Hemos incluido muchos mensajes de seguridad importantes en el manual y en su aparato doméstico. Siempre lea y obedezca todos los mensajes de seguridad.



Este es el símbolo de alerta de seguridad.

Este símbolo le avisa de posibles peligros que pueden causar la muerte o lesionarlo a usted y a otros.

Todos los mensajes de seguridad seguirán al símbolo de alerta de seguridad con la palabra "PELIGRO" o "ADVERTENCIA". Estas palabras significan:

⚠ ADVERTENCIA

Usted puede morir o ser lesionado gravemente si no sigue las instrucciones de inmediato.

⚠ PRECAUCIÓN

Usted puede morir o ser lesionado gravemente si no sigue las instrucciones.

Todos los mensajes de seguridad le dirán cuál es el posible peligro, cómo reducir la posibilidad de ser lesionado y lo que puede suceder si no se siguen las instrucciones.

INSTRUCCIONES DE SEGURIDAD IMPORTANTES

ADVERTENCIA: Al usar su lavavajillas, siga las precauciones básicas de seguridad, incluyendo:

- n Lea todas las instrucciones antes de usar el lavavajillas.
- n Use su lavavajillas sólo como se indica en esta Guía de Uso y Cuidado.
- n Sólo use los detergentes y agentes de enjuague que se recomiendan para usarse en un lavavajillas, y manténgalos fuera del alcance de los niños.
- n Al colocar los artículos para lavarlos:
 - Coloque los cuchillos y los artículos afilados de manera que no dañen el sello de la puerta o la tina.
 - Coloque los cuchillos y los artículos afilados con los mangos hacia arriba para evitar cortaduras.
- n No lave ningún artículo de plástico, a menos que tenga una marca que indique que es "seguro para lavarse en lavavajillas" o algo similar. Si no tiene dicha marca, verifique las recomendaciones con el fabricante. Los artículos que no son seguros para lavarse en el lavavajillas pueden derretirse y crear un posible peligro de incendio.
- n No toque el elemento calefactor durante ni inmediatamente después del uso.
- n No opere su lavavajillas a menos que todos los paneles estén instalados debidamente en su lugar.
- n Si el lavavajillas drena en un triturador de desperdicios de comida, asegúrese de que el triturador esté completamente vacío antes de operar el lavavajillas.
- n Desconecte la corriente eléctrica al lavavajillas antes de darle servicio.
- n No manipule los controles.
- n No permita que los niños abusen, se sienten, se paren o jueguen en la puerta o los estantes del lavavajillas.
- n Mantenga a los niños pequeños y a los bebés lejos del lavavajillas cuando esté funcionando.
- n En ciertas condiciones, se puede producir gas de hidrógeno en un sistema de agua caliente que ha estado sin usarse durante dos o más semanas. **EL GAS DE HIDRÓGENO ES EXPLOSIVO.** Si el sistema de agua caliente no se ha usado durante tal período, antes de usar el lavavajillas, abra todos los grifos de agua caliente y permita que el agua fluya por varios minutos de cada uno de ellos. Esto liberará cualquier gas de hidrógeno que se haya acumulado. Debido a que el gas es inflamable, no fume ni use una llama abierta durante este tiempo.
- n Para evitar que alguien quede atrapado dentro y/o se asfixie, quite la puerta o el mecanismo de cierre de la puerta de cualquier lavavajillas que se deseche o que no esté en uso.

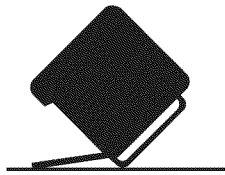
GUARDE ESTAS INSTRUCCIONES

ESPAÑOL

Antes de Usar su Lavavajillas



ADVERTENCIA



Peligro de que se vuelque

No use el lavavajillas hasta que esté completamente instalado.

No presione la puerta abierta hacia abajo.

Esto puede resultar en lesiones o cortaduras graves.



ADVERTENCIA



Peligro de choque eléctrico

Conecte a tierra el lavavajillas.

Conecte un alambre de tierra a la tuerca redonda verde de la caja de terminales.

No use un cable de extensión.

No seguir estas instrucciones puede dar causar la muerte, un incendio o un choque eléctrico.

INSTRUCCIONES PARA CONEXIÓN A TIERRA

ⁿ Para un lavavajillas conectado con cable y conectado a tierra:

El lavavajillas debe estar conectado a tierra. En caso de mal funcionamiento o avería, la conexión a tierra reducirá el riesgo de un choque eléctrico al proporcionar un paso de menor resistencia a la corriente eléctrica. El lavavajillas está equipado con un cable que tiene un conductor de conexión a tierra del equipo y un enchufe de conexión a tierra. El enchufe debe conectarse en un tomacorriente apropiado que esté instalado y conectado a tierra de acuerdo con todos los códigos y ordenanzas locales.

ADVERTENCIA: Una conexión incorrecta del conductor de conexión a tierra del equipo puede resultar en un riesgo de choque eléctrico. Verifique con un electricista o representante de servicio calificado si tiene duda de que el lavavajillas esté debidamente conectado a tierra. No modifique el enchufe que viene con el lavavajillas. Si no entra en el tomacorriente, haga que un electricista calificado instale un tomacorriente adecuado.

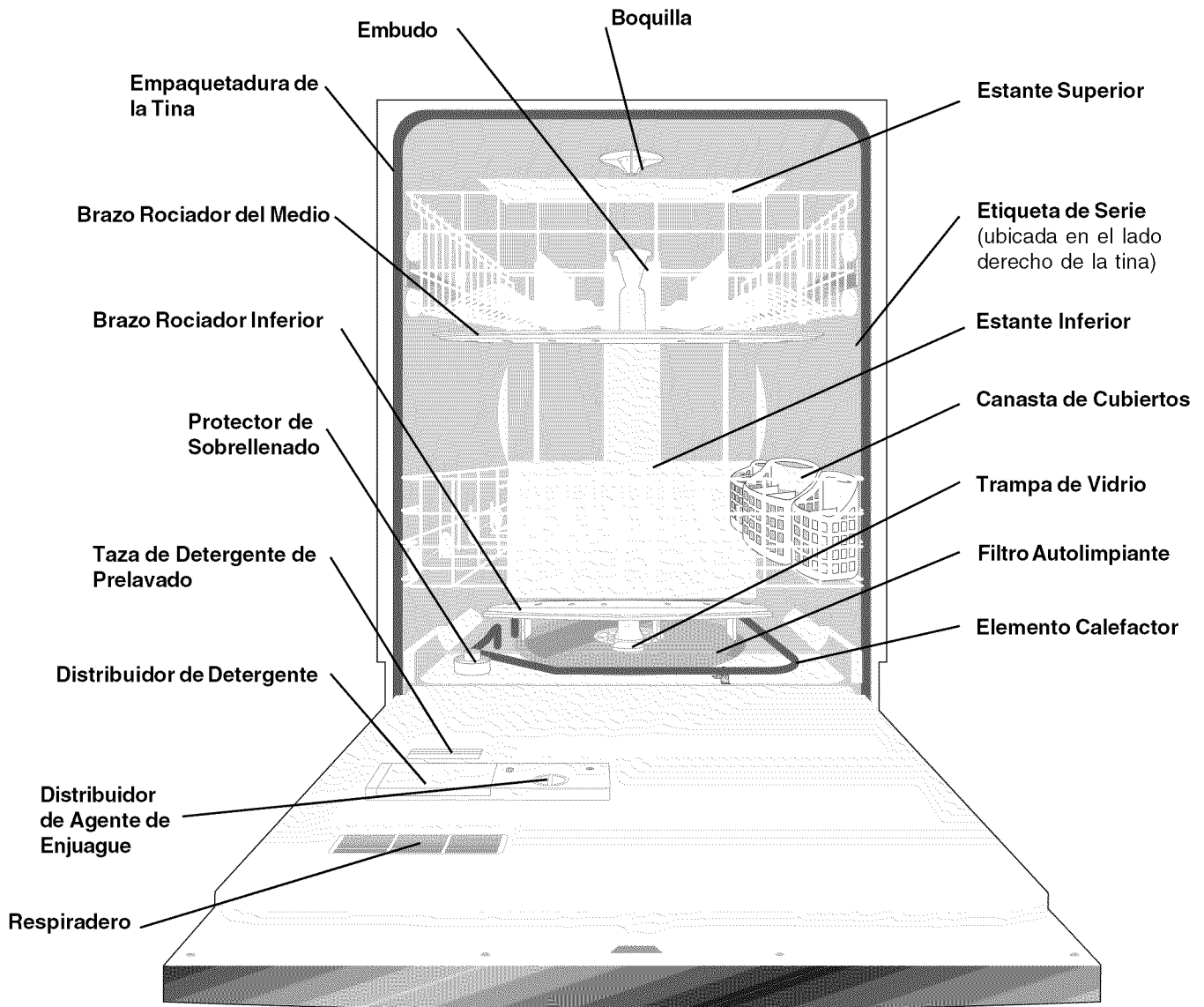
ⁿ Para un lavavajillas conectado permanentemente:

El lavavajillas debe ser conectado a un sistema de cableado permanente, de metal y conectado a tierra, o un conductor de conexión a tierra del equipo debe tenderse junto con los conductores del circuito y conectarse al terminal o alambre de conexión a tierra del equipo en el lavavajillas.

GUARDE ESTAS INSTRUCCIONES

ESPAÑOL

Características del Lavavajillas



La apariencia del aparato puede variar del modelo que usted tiene.

ESPAÑOL

Instrucciones de Funcionamiento

Sistema de Lavado

Su lavavajillas Kenmore filtra el 100% del agua para una limpieza óptima. El sistema de lavado utiliza brazos alternos para ahorrar agua y energía, e incluye un triturador de desperdicios de acero inoxidable y de uso pesado que tritura las partículas grandes de alimentos.

Cómo funciona el sistema

1. Cargue el lavavajillas (Véase Preparación y Carga de la Vajilla).
2. El agua caliente entra en el lavavajillas, cubre el filtro y sube hasta la parte inferior de los sujetadores del calentador.
3. El detergente es distribuido en el momento apropiado y se mezcla con el agua caliente. Esta mezcla es bombeada a través del brazo rociador inferior y rociada contra las superficies sucias de la vajilla para remover las partículas de alimentos.
4. El agua pasa a través del filtro primario de malla fina donde los desperdicios de comida son eliminados y el agua limpia vuelve a circular de nuevo.
5. Las salidas bajo el brazo rociador inferior dirigen los desperdicios de comida, a través de un filtro secundario, a una cámara de recogido.
6. Los desperdicios permanecen en la cámara de recogido hasta que son lavados fuera durante el ciclo de drenado.
7. Agua limpia y caliente entre al lavavajillas y la secuencia se repite.
8. Comenzando con el tercer llenado de agua, la acción de lavado cambia entre el brazo rociador inferior y el brazo rociador del medio a intervalos de 90 segundos. Es posible que note un cambio en el sonido a medida que la acción de lavado pausa y cambia al otro brazo.
9. El lavavajillas puede pausar durante el ciclo mientras el agua es calentada. La acción de lavado continuará durante este tiempo.
10. El agente de enjuague es distribuido automáticamente para el agua de enjuague para ayudar con el secado.

Cómo comenzar

1. Cargue el lavavajillas (véase Preparación y Carga de la Vajilla).
2. Agregue detergente (véase Distribuidor y Detergentes del Lavavajillas).
3. Agregue agente de enjuague, si se necesita (véase Agente de Enjuague).
4. Gire la perilla hacia la derecha para seleccionar el ciclo (Ver la Tabla de Ciclos).
5. Seleccione las OPCIONES deseadas (véase Selección de Opciones). El indicador sobre la almohadilla brilla.
6. Si se usa WASH DELAY, seguir las instrucciones del DELAY START en la página 26.
7. Haga correr el agua caliente del grifo más cercano al lavavajillas hasta que salga caliente. Cierre el agua.
8. Para arrancar, apriete 'START/CANCEL'.

Luces indicadoras

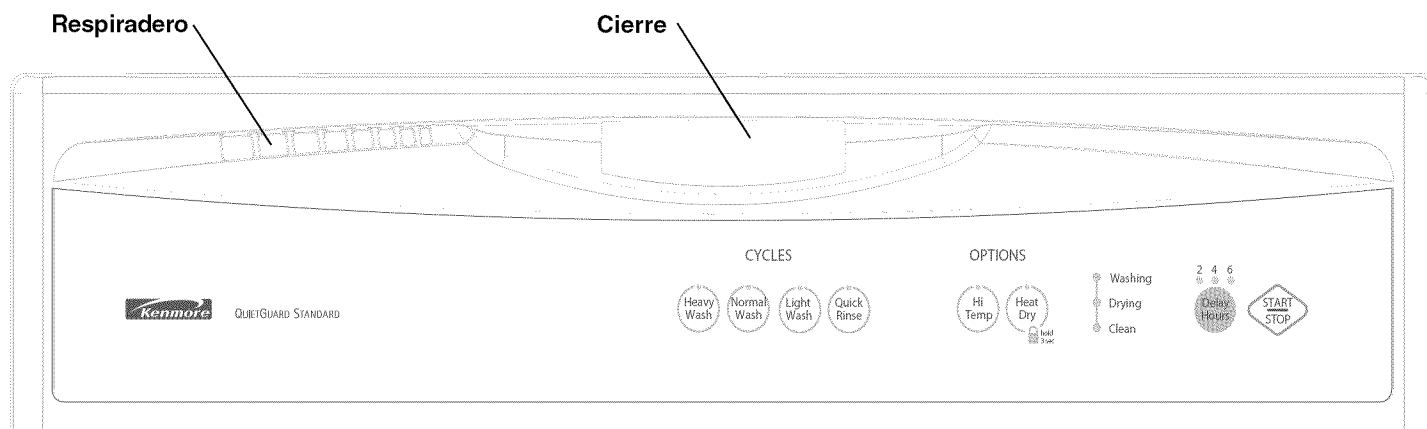
La luz 'WASHING' (lavado) se enciende al principio del ciclo y permanece encendida hasta el final del ciclo principal.

La luz 'DRYING' (secado) indica la porción de secado del ciclo. Esta luz se enciende cuando se selecciona cualquiera de las opciones de secado.

La luz 'CLEAN' (limpio) se enciende cuando se completa un ciclo y permanece encendida hasta que se abra la puerta.

ESPAÑOL

Instrucciones de Funcionamiento (continuación)



La apariencia del aparato puede variar del modelo que usted tiene.

Tabla de Ciclos

Ciclos	Para Seleccionar el Ciclo	Agua (aprox.)	Tiempo* (aprox.)	Lavados/ Enjuagues
Lavado pesado (Heavy Wash) Para ollas, sartenes, cacerolas y vajillas con desperdicios adheridos, secos o de horneado.	Seleccione HEAVY WASH y las otras OPTIONS deseadas.	9,3 gal. 35,3 litros	2 1/2hrs	4 lavados 4 enjuagues
Lavado normal (Normal Wash) Para platos y cubiertos con suciedad normal.	Seleccione NORMAL WASH y las otras OPTIONS deseadas.	4,9 gal. 18,4 litros	1 3/4hrs	3 lavados 1 enjuagues
Lavado liviano (Light Wash) Para platos y cubiertos no muy sucios o preenjuagados.	Seleccione LIGHT WASH y las otras OPTIONS deseadas.	4,8 gal. 18,3 litros	1 1/2 hrs	2 lavado 2 enjuagues
Sólo enjuague (Quick Rinse) Para el enjuague de platos que serán lavados después.	Seleccione QUICK RINSE. NO USE detergente.	2,4 gal. 9,1 litros	1/4 hrs	2 enjuagues

* Incluye tiempo de secado.

ESPAÑOL

Instrucciones de Funcionamiento (continuación)

Opciones de energía

Opción Hi Temp Wash

Cuando se selecciona la opción HI TEMP, el lavavajillas calienta el agua en el ciclo principal hasta aproximadamente 140°F (60°C). La acción de lavado continuará pero el cronómetro no avanzará hasta que se alcance la temperatura apropiada. El agua más caliente proporcionada por esta opción ayuda a activar el detergente del lavavajillas para limpiar la grasa y la suciedad de los platos. La opción HI TEMP puede ser usada durante cualquier ciclo menos QUICK RINSE.

Cuando la opción 'HI TEMP' es seleccionada, la luz debajo de la tecla se encenderá y permanecerá encendida hasta el final del ciclo. Para apagar esta opción presione la tecla una segunda vez. La luz encima de la tecla se apagará.

Opción Heat Dry

La opción de Secado con Calor, en combinación con el ayudante de enjuague, le proporciona excelentes resultados de secado. La energía que esta función consume le cuesta pocos centavos por cada ciclo. Usted puede desactivar la opción de Secado con Calor. Sin embargo, algunos artículos de la carga del lavavajillas no quedarán secos al final del ciclo.

Con cualquiera de las opciones, puede ser que usted vea vapor de agua saliendo del respiradero durante la etapa de secado del ciclo. Algunos modelos tienen este ventilador eso está cerrado durante el lavado para mantener encerrados la humedad y el ruido.

La opción de secado puede ser cambiada en cualquier momento durante el ciclo y sólo afecta el período de secado.

Cuando la opción 'HEAT DRY' es seleccionada, la luz debajo de la tecla se encenderá y permanecerá encendida hasta el final del ciclo. Para apagar esta opción presione la tecla una segunda vez. La luz encima de la tecla se apagará.

Comienzo Diferido 'DELAY HOURS'

La opción 'DELAY HOURS' (Comienzo Diferido) le permite diferir automáticamente la puesta en marcha del lavavajillas desde 2-4-6 horas.

En los modelos con tiempo diferido de 2-4-6 horas, oprima la tecla una vez para diferir la puesta en marcha en 2 horas, dos veces para 4 horas y tres veces para 6 horas. Se encenderá una luz indicando las horas del tiempo diferido y permanecerá encendida hasta que comience el ciclo.

Para cancelar la opción 'DELAY HOURS' y empezar el ciclo antes de que el período de demora finalice, presione el botón 'START/CANCEL'.

Para cancelar un ciclo

Uste puede cancelar un ciclo en cualquier momento. Presione la tecla 'START/CANCEL' y el lavaplatos empezará un desaguado por 90 segundos. Al final, seleccione el ciclo deseado.

Controles a prueba de niños

A fin de evitar que los niños cambien accidentalmente el ciclo del lavavajillas o que pongan en marcha el lavavajillas, bloquee los controles oprimiendo momentáneamente la tecla 'HEAT DRY' durante 3 segundos cuando la puerta esté bien cerrada. Se iluminará una luz indicadora en la tecla con el símbolo de bloqueo cuando los controles estén bloqueados y no se podrán hacer nuevas selecciones hasta que no se cancele el bloqueo. Para desbloquear los controles, oprima la tecla 'HEAT DRY' hasta que se apague la luz indicadora.

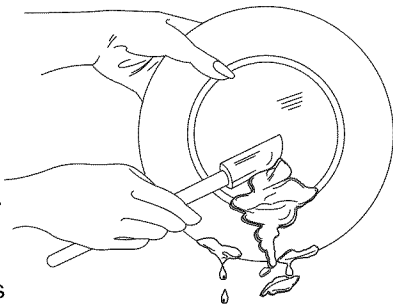
Preparación y Carga de la Vajilla

Preparación de la Vajilla

Quite los pedazos grandes de comida, huesos, pepitas de frutas, palillos de dientes, etc. El sistema de lavado continuamente filtrado removerá las partículas de comida restantes. La comida pegada debe removerse de la vajilla antes de colocarse en el lavavajillas. Vacíe los líquidos de los vasos y las tazas.

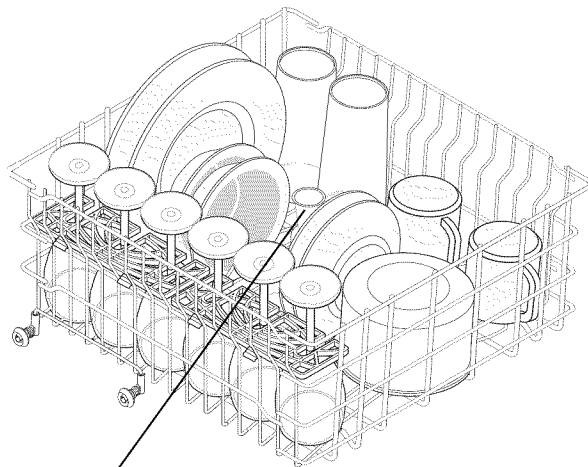
Los alimentos tales como mostaza, mayonesa, vinagre, jugo de limón y productos que contienen tomate pueden causar el descoloramiento de los artículos de acero inoxidable y de plástico si se permite que permanezcan en contacto por mucho tiempo. A menos que el lavavajillas se opere en seguida, es mejor enjuagar estos alimentos de la vajilla.

- Cargue los estantes de manera que los artículos grandes no impidan que el distribuidor de detergente se abra.
- Consulte las recomendaciones del fabricante antes de lavar cualquier artículo del que se tenga duda.
- Si el lavavajillas desagua en un triturador de desperdicios de comida, **asegúrese de que el triturador esté completamente vacío antes de comenzar el lavavajillas.**

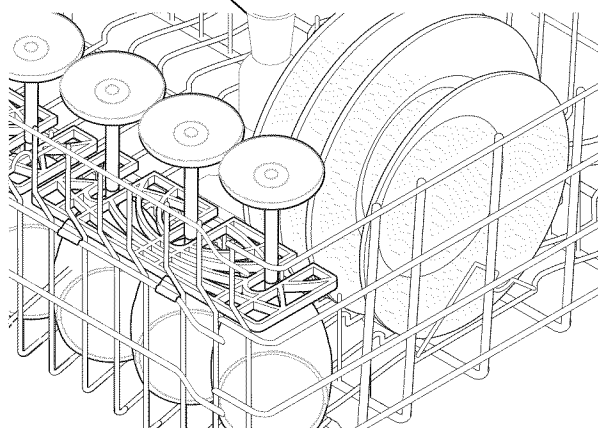


Asegúrese de que nada sobresalga a través del fondo del estante que pueda obstruir la rotación del brazo rociador del medio.

Algunos modelos tienen rejillas para tazas que se pueden doblar o bien tienen un soporte para tazas/utensilios para cocer al vapor. Estas rejillas pueden usarse para colocar en dos niveles tazas, vasos para jugo y otros utensilios cortos. Coloque los artículos en el nivel superior de una forma escalonada, para que el agua llegue a todas las superficies interiores. Levante las rejillas para colocar vasos altos.



No cubra el embudo



Para cargar el Estante Superior

Las características y el aspecto de los estantes y la canasta de cubiertos pueden ser distintos a los de su modelo.

Importante: No cubra el embudo cuando cargue el lavavajillas.

El estante superior se ha diseñado para flexibilidad en la carga de varios artículos, incluyendo tazas, vasos, copas, platos pequeños, tazones, etc.

Coloque los vasos en el estante superior, ya que pueden dañarse si se colocan en el estante inferior.

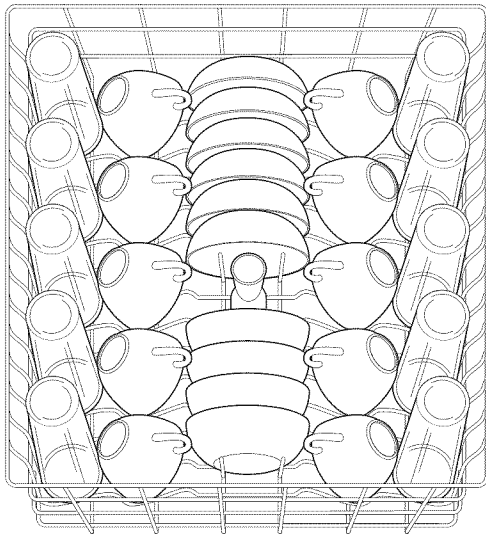
Coloque los artículos de plástico sólo en el estante superior, ya que pueden derretirse si se colocan en el estante inferior.

Coloque los artículos con los extremos abiertos hacia abajo para una mejor limpieza y drenaje.

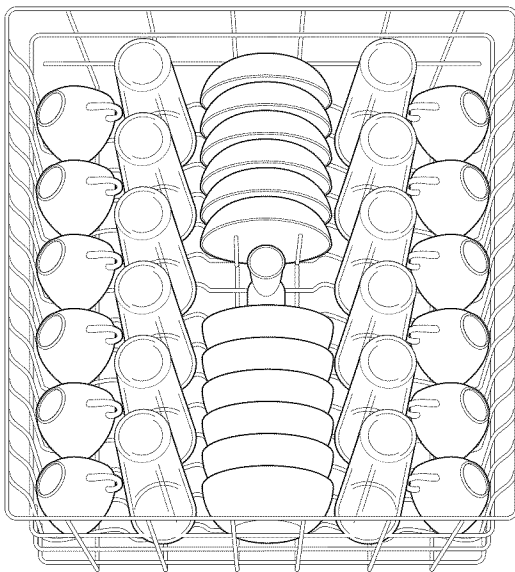
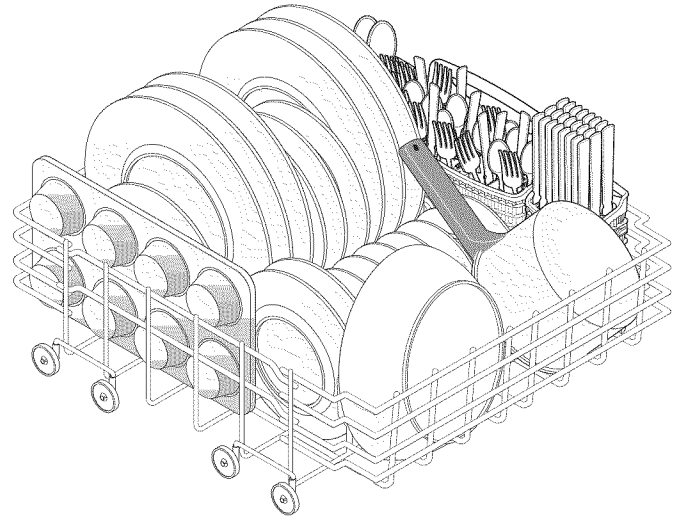
Los artículos delicados pueden dañarse si están tocándose unos con otros durante el funcionamiento del lavavajillas.

Los utensilios y los cuchillos con mangos largos pueden colocarse en el estante superior.

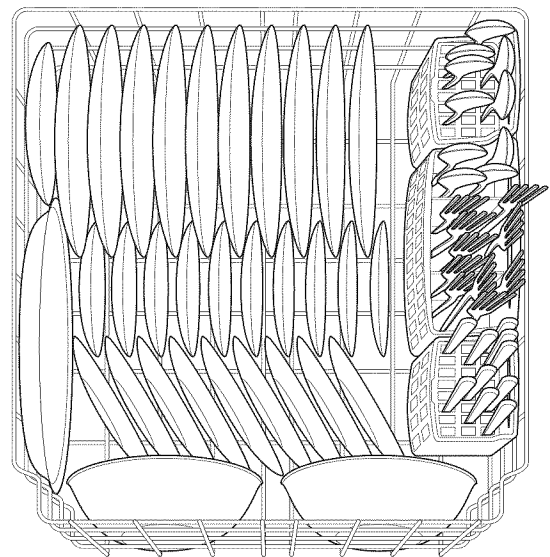
Preparación y Carga de la Vajilla (continuación)



10 puestos



12 puestos



10 puestos

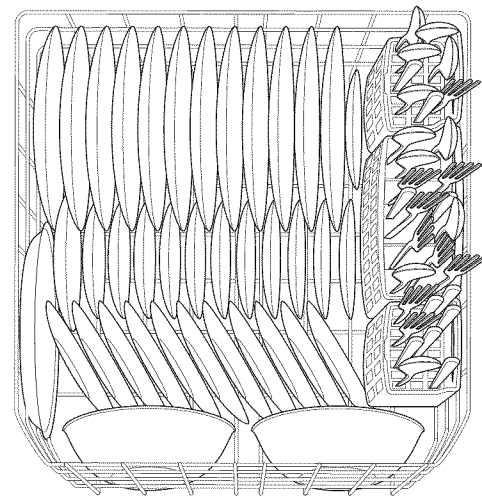
Cómo Cargar el Estante Inferior

Las características y el aspecto de los estantes y la canasta de cubiertos pueden ser distintos a los de su modelo.

El estante inferior es mejor para platos, platillos, tazones y ollas. Los artículos grandes deben colocarse a lo largo del borde, de manera que no obstruyan la rotación del brazo rociador. Para mejores resultados, coloque los tazones, cacerolas y ollas con la superficie sucia hacia abajo o hacia el centro. Inclínelos ligeramente para un mejor drenaje.

Asegúrese de que los artículos grandes no obstruyan la rotación del brazo rociador.

Asegúrese de que los mangos de las ollas no sobresalgan por el fondo del estante y obstruyan la rotación del brazo rociador.



12 puestos

Preparación y Carga de la Vajilla (continuación)

Cómo Cargar la Canasta de

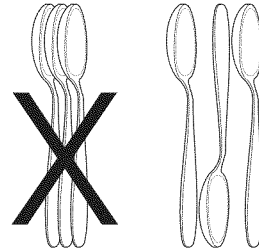
! PRECAUCIÓN

Cortaduras

Coloque los artículos afilados (cuchillos, pinchos de brocheta, etc.) con las puntas hacia abajo.

No hacerlo puede causar lesiones.

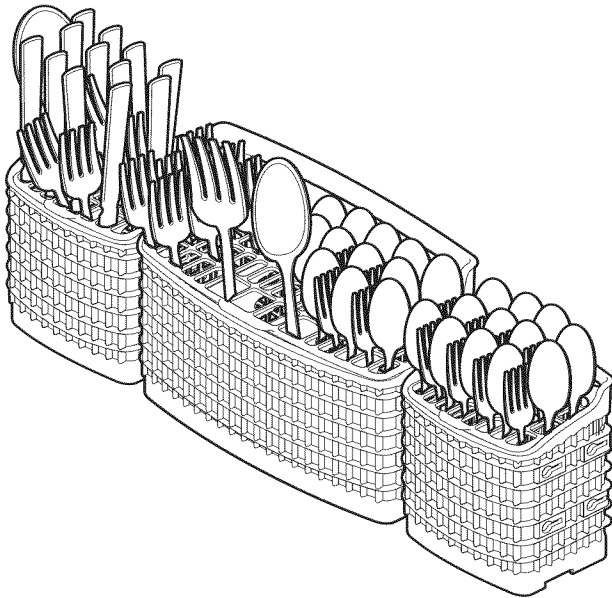
Cuando las cubiertas están hacia arriba, mezcle los artículos de cada sección de la canasta, con unos apuntando hacia arriba y otros hacia abajo, para que no se peguen unos con otros. El rocío de agua no puede llegar a los artículos que están pegados unos con otros.



Cubiertos

Cargue la canasta de cubiertos mientras está en el estante inferior, o saque la canasta para cargarla sobre el gabinete o la mesa.

Coloque los artículos pequeños como tapas de biberones, tapas de jarros, sostenedores de mazorcas de maíz, etc. en una sección cubierta. Cierre la cubierta para mantener los artículos pequeños en su lugar.



Para agregar un artículo

Para agregar o sacar artículos después de que haya comenzado el ciclo de lavado:

- Destabe el cierre de la puerta y espere unos segundos en lo que la acción de lavado se detiene antes de abrir la puerta.
- Coloque el artículo y espere unos segundos para permitir que el aire frío se expanda lentamente dentro del lavavajillas.
- Cierre la puerta firmemente para trabarla y reanudar el ciclo.

Asegúrese de que nada sobresalga por el fondo de la canasta o del estante que pueda obstruir el brazo rociador.

No mezcle los cubiertos de plata con los de acero inoxidable para evitar dañar el acabado de plata.

La canasta de cubiertos puede sacarse y colocarse en varios lugares del estante inferior.

Coloque los cubiertos en todas las secciones o sólo en una, dependiendo de su carga.

Distribuidor y Detergentes del Lavavajillas

Cómo Llenar el Distribuidor de Detergente

El distribuidor de detergente tiene una taza cubierta y una descubierta. El detergente en la taza descubierta cae dentro del lavavajillas cuando la puerta se cierra. La taza cubierta se abre automáticamente para soltar el detergente.

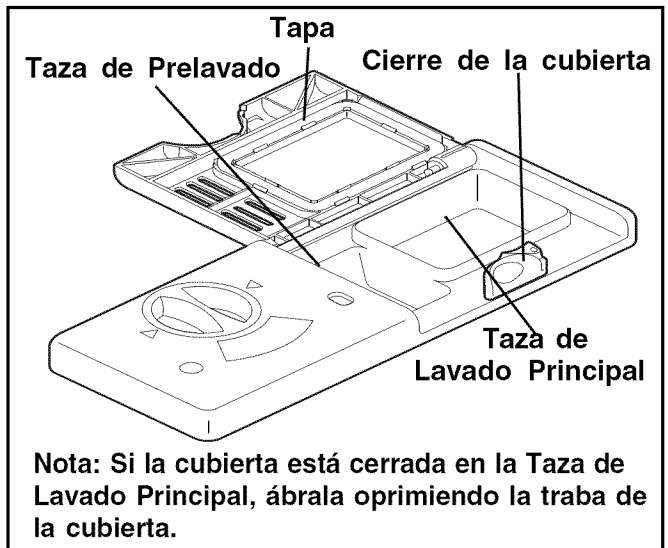
- Sólo use detergente para lavavajillas automáticos fresco. Otros detergentes producirán demasiada espuma.
- Cuando use tabletas de detergente para lavavajillas, coloque una tableta en el distribuidor principal y cierre la tapa.
- Agregue el detergente justo antes de comenzar el ciclo.
- Guarde el detergente en un lugar fresco y seco. El detergente húmedo o aterronado no se disolvió debidamente.

PRECAUCIÓN

El uso de detergentes industriales puede dañar el serpentín de calentamiento y otras piezas del lavavajillas, lo que causaría daños a la unidad y a la propiedad que lo rodea. Sólo use detergentes para lavavajillas automáticos para el hogar.

Cuánto Detergente Usar

La cantidad de detergente que debe usar depende de la dureza del agua. La dureza del agua se mide en granos por galón. Usar muy poco detergente puede resultar en una limpieza deficiente y en que el agua dura produzca una película o manchas en la vajilla. Usar demasiado detergente en agua blanda puede causar una película permanente llamada aguafuerte. Su empresa de agua local, compañía de ablandador de agua o agente de extensión del condado puede decirle cuál es la dureza del agua en su área.



Guía de Uso del Detergente

Ciclo	Agua blanda (0-3 granos)	Agua medianamente dura (4-8 granos)	Agua dura (9-12 granos)	Agua muy dura* (más de 12 granos)
Heavy Wash (lavado pesado) o Normal Wash (lavado normal)	2 cucharillas (cada taza - 1/4 llena)	5 cucharillas (cada taza - llena hasta la línea "Regular")	8 cucharillas (cada taza completamente llena)	Cada taza - completamente llena (se recomienda usar ablandador de agua)
Light Wash (lavado ligero)	2 cucharillas (Taza de lavado principal - 1/4 llena)	5 cucharillas (Taza de lavado principal - llena hasta la línea "Regular")	8 cucharillas (Taza de lavado principal - completamente llena)	Taza de lavado principal - completamente llena (se recomienda usar ablandador de agua)
Quick Rinse (sólo enjuague)	Sin detergente	Sin detergente	Sin detergente	Sin detergente (se recomienda usar ablandador de agua)

*Nota: Para agua muy dura, es posible que el detergente solo no sea suficiente. Se recomienda usar un ablandador de agua para mejorar la calidad del agua y el lavado de la vajilla. Pruebe agregando más detergente al comienzo de la parte del lavado principal del ciclo. Por lo general, use 1 cucharilla por cada grano por encima de 12. Destrae la puerta, ábrala lentamente y agregue detergente en el fondo de la tina. Cierre la puerta para que trabaje y el lavavajillas continuará el ciclo.

ESPAÑOL

Distribuidor y Detergentes del Lavavajillas (continuación)

Agente de Enjuague

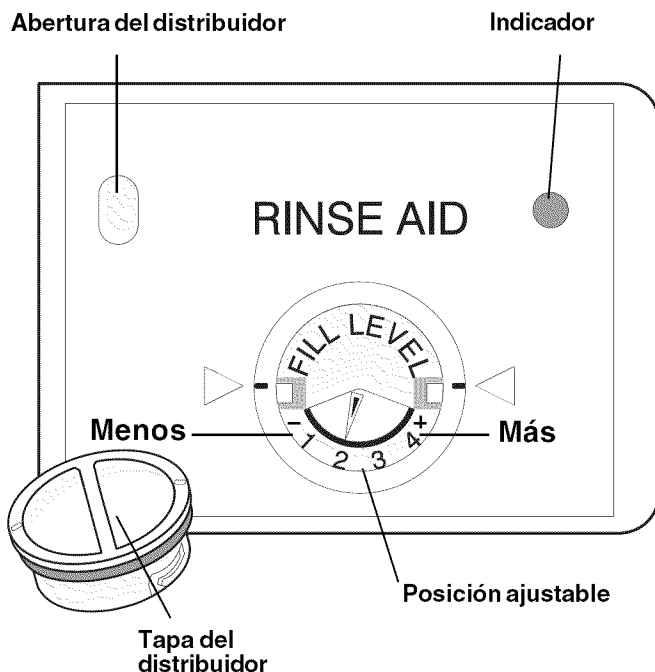
El agente de enjuague mejora grandemente el secado y reduce la película y las manchas de agua en la vajilla. El agua se desliza de la vajilla, en lugar de formar gotas de agua que se adhieren y dejan manchas.

Un distribuidor, ubicado junto a la taza de detergente, suelta automáticamente una cantidad medida del agente de enjuague durante el último enjuague. Si las manchas y un secado deficiente son problemas, aumente la cantidad de agente de enjuague girando la esfera a un número más alto. La esfera está ubicada debajo de la tapa del distribuidor. El indicador estará oscuro cuando esté lleno y se verá claro cuando sea tiempo de volver a llenarlo.

Para agregar agente de enjuague líquido, gire la tapa del distribuidor 1/4 de vuelta hacia la izquierda y sáquela. Vierta el agente de enjuague hasta que el líquido llegue al nivel de llenado indicado. Vuelva a taparlo.

No lo llene demasiado, ya que esto puede causar que se forme demasiada espuma. Limpie cualquier derrame con un paño húmedo.

El distribuidor tiene cabida para 35 a 140 lavadas, dependiendo de la posición en que se ajuste.



Factores que Afectan el Rendimiento

Presión de Agua

La línea de agua caliente al lavavajillas debe suministrar una presión de agua de entre 20 y 120 psi.

La baja presión de agua puede ocurrir cuando se está lavando ropa o tomando duchas a la misma vez. Espere hasta que se reduzca el uso del agua para comenzar el lavavajillas.

Temperatura del Agua

Se necesita agua caliente para obtener los mejores resultados de lavado y secado. El agua que entra al lavavajillas debe ser de 120°F (49°C) para lograr los mejores resultados.

Para comprobar la temperatura de agua que entra al lavavajillas:

- Abra el grifo de agua caliente que esté más cerca del lavavajillas por varios minutos para despejar el agua fría de la tubería.
- Ponga un termómetro de dulce o de carne bajo el chorro de agua para comprobar la temperatura.
- Si la temperatura está por debajo de 120°F (49°C), haga que una persona calificada suba el ajuste del termostato del calentador de agua.

Importante: Antes de comenzar un ciclo, deje correr el agua caliente para despejar el agua fría de la tubería.

La opción de Secado con Calor, en combinación con el ayudante de enjuague, le proporciona excelentes resultados de secado. La energía que esta función consume le cuesta pocos centavos por cada ciclo. Usted puede desactivar la opción de Secado con Calor. Sin embargo, algunos artículos de la carga del lavavajillas no quedarán secos al final del ciclo.

ESPAÑOL

Cuidado y Limpieza

⚠ ADVERTENCIA



Peligro de quemaduras

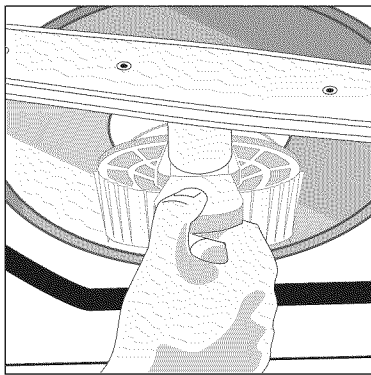
Permita que el elemento calefactor se enfríe antes de limpiar el interior.

No hacerlo puede causar quemaduras.

Exterior – Ocasionalmente limpie el exterior con agua y un detergente no abrasivo. Enjuáguelo y séquelo.

Interior – El interior del lavavajillas se limpia solo con el uso normal. Si se necesita, limpie alrededor del área de la empaquetadura de la tina con un paño húmero.

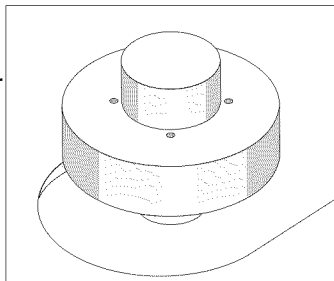
El filtro se limpia solo. La trampa de vidrio ubicada en el centro del filtro está diseñada para recoger pedazos de vidrios rotos, pajillas, huesos y pepitas. Para remover los artículos de la trampa de vidrio, agarre el mango, sáquela, vacíela y vuelva a colocarla en su lugar.



Nota: El agua dura puede causar una acumulación de depósitos de cal en el interior del lavavajillas. Para las instrucciones de limpieza, véase la sección “Cómo Quitar las Manchas y la Graza”.

Protector de Sobrellenado – evita que el lavavajillas se llene demasiado y está ubicado en la esquina izquierda delantera de la tina.

- Limpie ocasionalmente con un limpiador que contenga vinagre o blanqueador para disolver cualquier acumulación.
- El Protector de Sobrellenado debe moverse hacia arriba y hacia abajo libremente como una pulgada. Si no se mueve, sáquelo y límpielo por debajo.



Cuidado del Espacio de Aire de Drenaje

Si se instaló un espacio de aire de drenaje en su lavavajillas empotrado, inspecciónelo para asegurar que esté limpio, de manera que el lavavajillas drene debidamente. Un espacio de aire de drenaje por lo general está montado sobre el gabinete y puede inspeccionarse quitando la tapa. Esto no es parte de su lavavajillas y no está cubierto por la garantía.

⚠ PRECAUCIÓN

Peligro de daños a la propiedad

Las temperaturas heladas pueden causar que las líneas de agua se rompan. Asegúrese de que todas las líneas de suministro y circulación dentro del lavavajillas estén protegidas.

No hacerlo puede resultar en daños a la propiedad.

Preparación para el Invierno

Un lavavajillas que se deje en un lugar sin calefacción debe estar protegido para que no se congele. Busque una persona calificada para que haga lo siguiente:

Para desconectar el servicio:

1. Cierre todo el suministro de corriente eléctrica al lavavajillas en la fuente de suministro quitando los fusibles o cerrando el disyuntor.
2. Cierre el suministro de agua.
3. Coloque un recipiente debajo de la válvula de entrada. Desconecte la línea de agua de la válvula de entrada y drene en el recipiente.
4. Desconecte la línea de drenaje de la bomba y drene el agua en el recipiente.

Nota: Véanse las Instrucciones de Instalación para más detalles.

Para restaurar el servicio:

1. Vuelva a conectar el suministro de agua, drenaje y corriente eléctrica.
2. Abra el agua y el suministro de corriente eléctrica.
3. Llene ambas tazas de detergente y opere el lavavajillas en el ciclo NORMAL.
4. Verifique las conexiones para asegurar que no tengan fugas.

Nota: Véanse las Instrucciones de Instalación para más detalles.

Soluciones a Problemas Comunes del Lavado de Vajillas

Antes de llamar para solicitar servicio, revise esta lista, ya que podría ahorrarle tiempo y dinero. Esta lista incluye las experiencias comunes que no son el resultado de manufactura o materiales defectuosos en su lavavajillas.

La vajilla queda sucia

- Elija otro ciclo para un tiempo de lavado más largo.
- Verifique la sección de carga de los estantes para la forma correcta de cargar el lavavajillas – evite que los artículos queden pegados unos con los otros.
- La presión de agua de la casa puede que sea muy baja – debe ser de 20 a 120 libras por pulgada cuadrada (psi).
- Verifique la temperatura del agua entrante. Debe ser de 120°F (49°C). (Véanse los Factores que Afectan el Rendimiento.)
- Verifique la dureza del agua. En casos de agua sumamente dura, podría ser necesario instalar un ablandador de agua. (Véase la Tabla de Detergentes.)
- Use un detergente fresco.
- Verifique que el embudo en el estante superior no esté obstruido.
- Asegúrese de que ningún artículo esté obstruyendo los brazos rociadores, evitando que giren.

La vajilla no está seca

- Seleccione la opción de secado con calor.
- Asegúrese de que el distribuidor del agente de enjuague esté lleno.
- Aumente la cantidad del agente de enjuague. (Véase Agente de Enjuague.)
- Verifique la temperatura del agua entrante. Debe ser de 120°F (49°C).
- Verifique la carga correcta – evite colocar los artículos pegados unos con los otros.
- Es posible que necesite secar los artículos de plástico con una toalla.
- Puede quedar agua en las tazas que tienen fondos cóncavos.

Cristalería y/o cubiertos manchados o empañados

- Verifique la dureza del agua. En caso de agua sumamente dura, podría ser necesario instalar un ablandador de agua. (Véase Distribuidor y Detergentes del Lavavajillas.)
- La temperatura del agua podría estar baja. Evite temperaturas extremadamente bajas o altas. (Véanse los Factores que Afectan el Rendimiento.)
- Evite sobrecargar o cargar incorrectamente el lavavajillas. (Véase Preparación y Carga de la Vajilla.)

- Use un detergente fresco. El detergente viejo es ineficaz.
- Asegúrese de que el distribuidor del agente de enjuague esté lleno.
- Verifique que se esté usando la cantidad correcta de detergente para el ciclo seleccionado. Además, verifique el nivel de fosfato. (Véase la Guía de Uso del Detergente.)
- La presión de agua de la casa podría ser muy baja – debe ser de 20 a 120 libras por pulgada cuadrada (psi).

La vajilla está astillada

- Colóquela con cuidado y no sobrecargue el lavavajillas. (Véase Preparación y Carga de la Vajilla.)
- Coloque los artículos delicados en el estante superior.
- Coloque los vasos asegurados contra los ganchos y no sobre los ganchos.
- Coloque los artículos de manera que estén seguros y no se muevan al sacar o meter los estantes. Saque y meta los estantes despacio.
- Asegúrese de que los vasos altos y las copas despejen la parte superior de la tina al mover el estante hacia adentro.
- Los artículos finos y antiguos de porcelana y cristal deben lavarse a mano.

La vajilla está manchada o descolorida

- El té y el café pueden manchar las tazas. Quite las manchas lavándolas a mano en una solución de 1/2 taza (120 ml) de blanqueador en un cuarto de galón (1 L) de agua tibia. Enjuáguelas bien.
- Los depósitos de hierro en el agua pueden causar una película amarilla o marrón. Un filtro especial instalado en la línea de suministro de agua puede corregir este problema (Véase Cómo Quitar las Manchas y la Película.)
- Los utensilios de aluminio pueden dejar manchas grises o negras cuando tropiezan con otros artículos. Colóquelos correctamente.
- Ciertos alimentos muy ácidos pueden causar el descoloramiento del acero inoxidable y los plásticos si se dejan en la vajilla por mucho tiempo. Use el ciclo QUICK RINSE (enjuague espera) o enjuague la vajilla a mano si no va a operar el lavavajillas en seguida.
- Mezclar utensilios de acero inoxidable y de plata en la canasta de cubiertos puede causar que las hojas de acero inoxidable se corroan. Evite mezclar acero inoxidable y plata.

Soluciones a Problemas Comunes del Lavado de Vajillas (continuación)

Aguafuerte

- Usar demasiado detergente en agua blanda o ablandada causa esta película que no puede quitarse.
- Ajuste la cantidad de detergente de acuerdo con la dureza del agua. (Consulte la Guía de Uso del Detergente.)
- Baje la temperatura del agua.
- Use la opción HEATED DRY OFF.

Queda detergente aún en las tazas

- El detergente podría ser viejo. Deséchelo y use detergente fresco.
- Asegúrese de que la acción del agua puede llegar al distribuidor.
- Verifique que el ciclo se haya completado.
- Asegúrese de que algún artículo no evite que el distribuidor de detergente abra.

El lavavajillas gotea

- Sólo use detergente fresco diseñado para lavavajillas automáticos. Mida el detergente cuidadosamente. Trate otra marca diferente.
- El agente de enjuague derramado puede producir espuma y causar que el agua se desborde. Limpie cualquier derrame del agente con un paño húmedo.
- Verifique que el lavavajillas esté nivelado. (Véanse las Instrucciones de Instalación.)

Sonidos normales que escuchará

- Los sonidos normales incluyen el llenado de agua, la circulación del agua y los sonidos del motor.
- Hay un cambio perceptible en el sonido cuando la acción de lavado cambia entre el brazo rociador inferior y el del medio. Esto es normal ya que cada brazo rociador tiene su propio sonido.
- Es normal que el lavavajillas se detenga (ningún sonido) cuando la acción de lavado está cambiando entre el brazo rociador inferior y el del medio.

Agua en el fondo de la tina

- El agua que queda en el fondo de la tina después de haber terminado el ciclo no es normal. Si queda agua en el fondo de la tina, el lavavajillas puede que no esté drenando correctamente. (Véase El Lavavajillas No Drena Correctamente.)

Vapor en el respiradero

- El vapor de agua sale del respiradero durante la parte de secado del ciclo. Esto es normal.

El lavavajillas no funciona

- Verifique para ver si el disyuntor se ha disparado o si un fusible está quemado.
- Asegúrese de que el suministro de agua esté abierto.
- Verifique si el ciclo está ajustado correctamente. (Véanse las Instrucciones de Funcionamiento.)
- ¿Está el lavavajillas ajustado para la opción de comienzo demorado?
- Asegúrese de que la puerta está cerrada y trabada.

El lavavajillas no drena correctamente

- Si la unidad está conectada a un triturador de desperdicios de comida, asegúrese de que el triturador esté vacío.
- Verifique que el tapón removible se haya quitado del interior de la entrada del triturador de desperdicios de comida.
- Verifique que la manguera de drenaje no esté doblada.
- Asegúrese de que el ciclo haya completado y no esté en una pausa.

El ciclo demora demasiado tiempo

- ¿Está el ciclo en una demora para calentar el agua?
- Verifique la temperatura del agua entrante. Debe ser de 120°F (49°C).
- ¿Se ha seleccionado la opción de comienzo demorado?

El lavavajillas no se llena

- ¿Está abierto el suministro de agua?
- ¿Se mueve el protector de sobrellenado hacia arriba y hacia abajo libremente? (Véase la sección del Protector de Sobrellenado.)
- El nivel máximo de agua del lavavajillas sólo alcanzará la parte inferior de los sujetadores del calentador.

El lavavajillas tiene mal olor

- La vajilla sucia que se deja demasiado tiempo en el lavavajillas puede producir mal olor. Use el ciclo QUICK RINSE.
- Habrá un olor a “nuevo” cuando se instale por primera vez. Esto es normal.
- Verifique que la unidad esté drenando debidamente. (Véase El Lavavajillas No Drena Debidamente.)

Manchas en el interior de la tina

- Lavar grandes cantidades de artículos con comida que contiene tomate puede causar un aspecto rosado o anaranjado. Esto no afectará el rendimiento y se desvanecerá gradualmente con el tiempo. Preenjuagar o usar el ciclo QUICK RINSE reducirá la posibilidad de que la tina se manche. Usar la opción HEATED DRY OFF también reducirá las manchas.

Soluciones a Problemas Comunes del Lavado de Vajillas (continuación)

Cómo quitar las manchas y la graza

El agua dura puede causar la acumulación de depósitos de cal en el interior del lavavajillas. Los platos y vasos también pueden tener manchas y una graza por varias razones. (Véase la sección de Cristalería/Cubiertos Manchados o Empañados.) Para quitar la acumulación, las manchas y la graza, siga estas instrucciones:

1. Coloque los platos y los vasos de la forma normal. No cargue ningún utensilio ni cubierto de metal.
2. No agregue detergente.
3. Seleccione el ciclo HEAVY WASH. Cierre y trabe la puerta.
4. Permita que el lavavajillas funcione por 20 minutos hasta alcanzar la porción del ciclo que corresponde al lavado principal.
5. Destrabe y abra la puerta y vierta 2 tazas de vinagre blanco en el fondo del lavavajillas.
6. Cierre y trabe la puerta y permita que el ciclo termine.

Nota: Si estas condiciones persisten, deberá considerarse instalar un ablandador de agua para el hogar.

Get it fixed, at your home or ours!

Your Home

For expert troubleshooting and home solutions advice:

manage my home

www.managemyhome.com

For repair – **in your home** – of **all** major brand appliances, lawn and garden equipment, or heating and cooling systems, **no matter who made it, no matter who sold it!**

For the replacement parts, accessories and owner's manuals that you need to do-it-yourself.

For Sears professional installation of home appliances and items like garage door openers and water heaters.

1-800-4-MY-HOME[®] (1-800-469-4663)

Call anytime, day or night (U.S.A. and Canada)

www.sears.com www.sears.ca

Our Home

For repair of carry-in items like vacuums, lawn equipment, and electronics, call anytime for the location of your nearest

Sears Parts & Repair Service Center

1-800-488-1222 (U.S.A.) **1-800-469-4663** (Canada)

www.sears.com www.sears.ca

To purchase a protection agreement on a product serviced by Sears:

1-800-827-6655 (U.S.A.) **1-800-361-6665** (Canada)

Para pedir servicio de reparación a domicilio, y para ordenar piezas:

1-888-SU-HOGAR[®]
(1-888-784-6427)

Au Canada pour service en français:

1-800-LE-FOYER^{MC}
(1-800-533-6937)
www.sears.ca

Sears

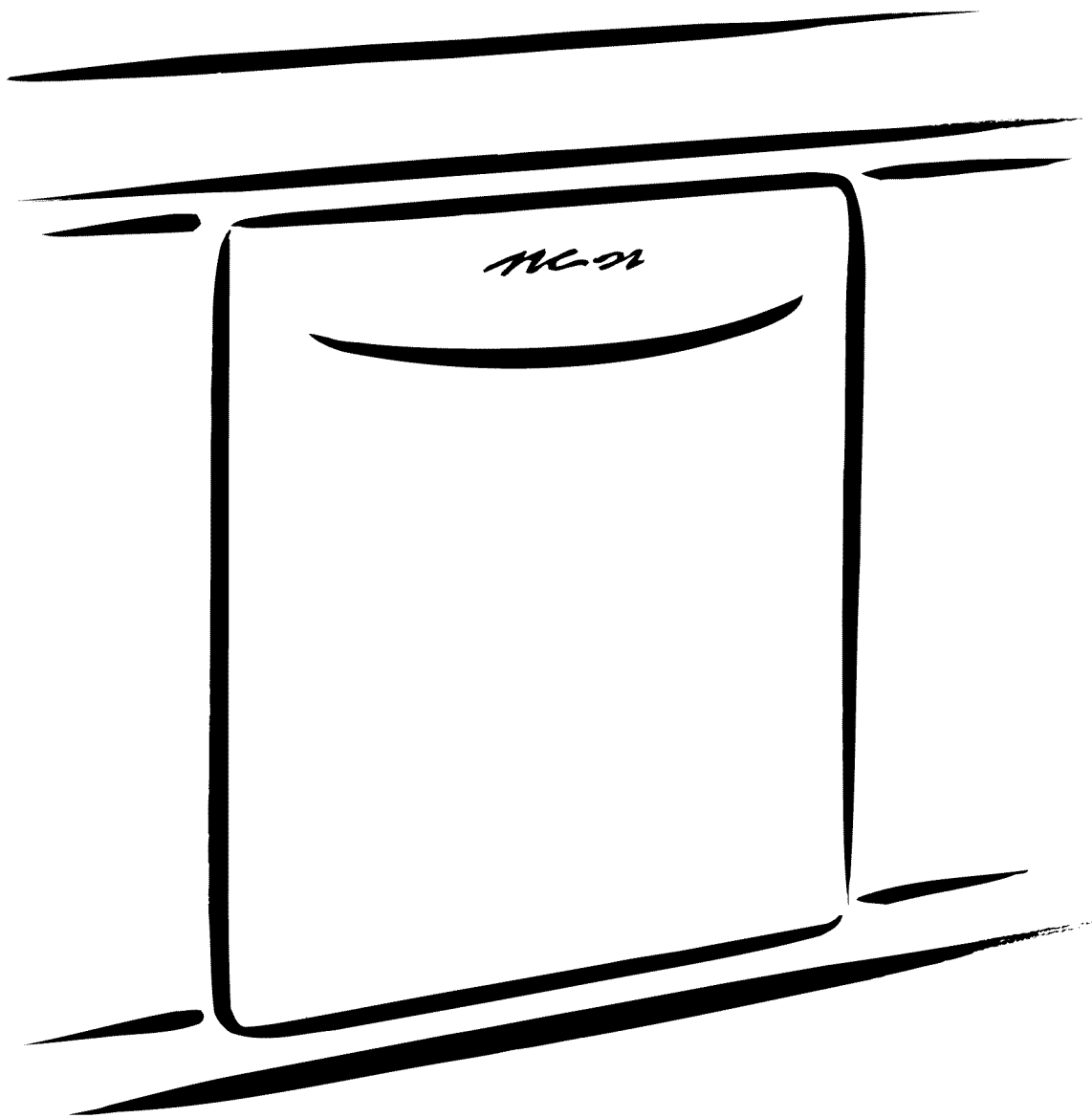


Lave-vaisselle

Guide de l'utilisation et d'entretien

Modèle 587.1523*, 587.1623*, 587.1824*

* =Numéro de couleur



FRANÇAIS

Table des matières

Caractéristiques	2
Consignes de sécurité	3
Fonctionnement de l'appareil	4-5
Préparation et chargement de la vaisselle	6-8
Distributeurs et de détergents.	9-10
Facteurs affectant le rendement	10
Entretien et nettoyage	11
Solutions aux problèmes d'utilisation courante	12-14
Garantie sur les appareils Kenmore	15
Services Sears	Dernière de couverture

Dans l'espace ci-dessous, inscrivez les numéros complets du modèle et de série, et la date d'achat. Vous pouvez trouver cette information sur l'étiquette des numéros de modèle et de série, à l'emplacement indiqué dans la section Fonctionnement de l'appareil de ce livret. Munissez-vous de cette information pour obtenir de l'aide rapidement lorsque vous contactez Sears au sujet de votre électroménager.

Numéro de modèle: 587. _____

Numéro de série: _____

Date d'achat: _____

Caractéristiques

Votre appareil lave la vaisselle en vaporisant un mélange de détergent et d'eau chaude sur les surfaces sales par les bras gicleurs. Chaque cycle commence par une vidange. Le lave-vaisselle se remplit ensuite d'eau en recouvrant toute la surface de filtre. Ainsi l'eau est pompée à travers le filtre et les bras gicleurs. La saleté s'écoule avec l'eau vidangée et est remplacée par de l'eau propre. Le nombre de remplissages d'eau varie selon le cycle utilisé.

Contrats de protection principaux

Félicitations! Vous avez fait un bon achat. Votre nouvel appareil Kenmore® est conçu et fabriqué dans le but de vous offrir plusieurs années d'utilisation sans tracas. Cependant, comme tout appareil, il peut nécessiter un entretien préventif ou des réparations occasionnelles. C'est pourquoi un contrat de protection principal peut vous permettre d'épargner de l'argent et vous éviter des problèmes.

Le contrat de protection principal contribue également à prolonger la durée de vie de votre nouvel appareil. Voici ce que couvre le contrat* :

- Les pièces et la main-d'oeuvre** requises pour le fonctionnement adéquat de l'appareil **dans des conditions d'utilisation normales**, pas seulement pour les défauts. Notre couverture vous offre **beaucoup plus que la simple garantie du produit**. Aucune franchise, aucune exclusion de défaillance fonctionnelle, **une véritable protection**.
- Un service professionnel** offert par une équipe de plus de **10 000 techniciens de service Sears autorisés**, ce qui signifie que votre appareil sera confié à une personne de confiance.
- Des appels de service illimités et un service à la grandeur du pays**, à tout moment, aussi souvent que vous le désirez.
- La garantie « anti-citron »**, vous assurant le remplacement de l'appareil couvert si quatre défaillances ou plus surviennent à l'intérieur de douze mois.
- Le remplacement de l'appareil** couvert s'il ne peut être réparé.
- Une vérification d'entretien préventive annuelle** sur demande et sans frais.
- Un service d'aide téléphonique rapide**, appelé « **Résolution rapide** », qui vous permet de bénéficier du soutien téléphonique d'un représentant Sears pour tous les produits. Nous sommes votre « guide d'utilisation parlant ».
- Une protection contre les surtensions** pour les dommages électriques causés par des fluctuations électriques.
- Une couverture annuelle de 250 \$ pour la perte d'aliments** à la suite de toute détérioration d'aliments résultant d'une défaillance mécanique d'un réfrigérateur ou d'un congélateur couvert.
- Le remboursement de la location**, si la réparation de l'appareil couvert prend plus de temps que prévu.
- Un rabais de 10 %** sur le prix régulier de tout service de réparation non couvert et les pièces installées qui en découlent.

Une fois le contrat acheté, un simple appel téléphonique suffit pour obtenir un service de réparation. Vous pouvez téléphoner à toute heure du jour ou de la nuit, ou prendre rendez-vous en ligne pour une réparation.

Le contrat de protection principal est un achat sans risque. Si, pour quelque raison que ce soit, vous annulez le contrat durant la période de garantie du produit, vous serez remboursé en totalité. En cas d'annulation après la période de garantie du produit, vous recevrez un remboursement calculé au prorata. Procurez-vous votre contrat de protection principal dès aujourd'hui!

Certaines restrictions et exclusions s'appliquent. Si vous êtes aux États-Unis et que vous désirez connaître les prix et obtenir de plus amples renseignements, téléphonez au 1 800 827-6655.

*** Au Canada, la couverture de certains articles peut varier. Pour connaître tous les détails, communiquez avec Sears Canada au 1 800 361-6665.**

Service d'installation Sears

Pour bénéficier du service d'installation professionnel de Sears pour électroménagers, ouvre-portes de garage, chauffe-eau et autres appareils domestiques importants, aux États-Unis et au Canada, téléphonez au 1 800 4-MY-HOME.

Consignes de sécurité importantes

⚠ AVERTISSEMENT

Ce pictogramme vise à vous avertir de situations dangereuses susceptibles de causer des blessures graves, des brûlures, un incendie ou des chocs électriques.

⚠ AVERTISSEMENT

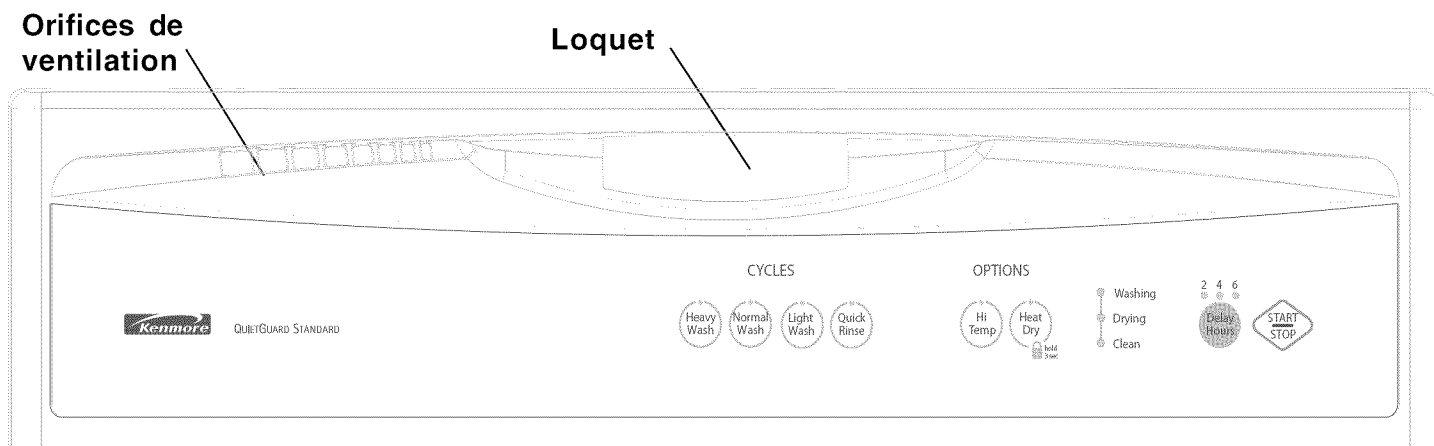
Pour réduire les risques d'incendie, de choc électrique ou de blessures en utilisant votre lave-vaisselle, suivez les précautions qui s'imposent, incluant celles qui suivent:

- Lisez toutes les instructions avant de faire fonctionner votre lave-vaisselle.
 - N'utilisez votre lave-vaisselle que selon les instructions incluses dans ce guide d'entretien et d'utilisation.
 - Les instructions contenues dans le présent guide d'entretien et d'utilisation ne visent pas à couvrir toutes les situations qui pourraient se présenter. Faites preuve de sens pratique et prenez les précautions qui s'imposent lors de l'installation, l'utilisation et l'entretien de tout appareil électroménager.
 - **LE CIRCUIT ÉLECTRIQUE DE CE LAVE-VAISSELLE DOIT ÊTRE MIS À LA TERRE.** Lisez les instructions d'installation pour de plus amples informations.
 - Ce lave-vaisselle est conçu pour fonctionner avec un courant résidentiel normal (120 volts, 60 hertz). Utilisez un circuit équipé d'un fusible ou un disjoncteur de 15 ampères. Utilisez un fusible de 20 ampères si le lave-vaisselle est connecté avec un broyeur à déchets.
 - Ne faites pas fonctionner le lave-vaisselle si tous les panneaux de carrosserie ne sont pas correctement en place.
 - Pour éviter qu'une personne puisse s'enfermer à l'intérieur de l'appareil et/ou y suffoquer, retirez la porte ou le mécanisme de verrouillage de porte de tout lave-vaisselle inutilisé ou mis aux rebuts.
 - Tenez vos bébés et enfants loin du lave-vaisselle en fonctionnement.
 - Ne laissez pas vos enfants faire une utilisation abusive, s'asseoir, grimper ou jouer sur la porte ou les paniers du lave-vaisselle.
- Utilisez seulement les détergents et agents de rinçage recommandés pour lave-vaisselle.
 - Placez les détergents et agents de rinçage hors de la portée des enfants.
 - Ne lavez pas les articles en plastique à moins d'indication contraire sur les étiquettes. S'il n'y a aucune indication à cet effet vérifiez avec le fabricant. Les articles non recommandés pour être lavés au lave-vaisselle risquent de fondre et de créer un risque d'incendie.
 - Si le lave-vaisselle vidange dans un broyeur à déchets, assurez-vous que ce dernier est complètement vide avant de mettre en marche le lave-vaisselle.
 - Débranchez l'alimentation électrique au lave-vaisselle avant d'entreprendre tout travail d'entretien ou de réparation.
 - Les réparations doivent être faites par un technicien qualifié.
 - Ne modifiez pas les commandes.
 - Ne touchez pas l'élément chauffant pendant ou immédiatement après l'utilisation.
 - Pour ranger les articles dans le lave-vaisselle:
 - Ranger les couteaux et articles pointus pour qu'ils ne risquent pas d'endommager le joint de la porte ou la cuve.
 - Placer les couteaux et articles pointus, manches vers le haut pour réduire le risque de coupures.
 - Dans certaines conditions, il est possible qu'il se produise une formation d'hydrogène dans la canalisation d'eau chaude inutilisée depuis 2 semaines ou plus. **L'HYDROGÈNE EST UN GAZ EXPLOSIF.** Si la canalisation d'eau chaude n'a pas été utilisée pendant un tel laps de temps, ouvrez tous les robinets d'eau chaude et laissez couler l'eau pendant plusieurs minutes avant d'utiliser le lave-vaisselle. Ceci permettra d'évacuer tout hydrogène accumulé. **L'HYDROGÈNE EST UN GAZ INFLAMMABLE.** Ne fumez ou n'allumez aucune flamme dans une telle situation.
 - N'entreposez et n'utilisez pas d'essences et combustibles ou d'autres produits inflammables à proximité de cet appareil ou de tout autre appareil électro-ménager.

**CONSERVEZ
CES INSTRUCTIONS**

FRANÇAIS

Fonctionnement de l'appareil



L'apparence peut être différente de celle de votre modèle.

Démarrage

1. Charger le lave-vaisselle (voir Préparation et chargement de la vaisselle).
2. Ajoutez le détergent (voir Distributeurs et détergents).
3. Ajoutez le produit de rinçage, si nécessaire (voir Produits de rinçage).
4. Sélectionnez le cycle (CYCLE) désiré (voir Tableau des cycles).
5. Sélectionnez les OPTIONS (voir Options) souhaitées. Le voyant indicateur au-dessus de la plage sera incandescent.
6. Si vous utilisez le lavage différé (WASH DELAY), suivre les instructions de DELAY START à la page 5.
7. Ouvrir le robinet d'eau chaude situé le plus près du lave-vaisselle pour purger l'eau froide du tuyau. Fermer le robinet.
8. Pour démarrer le lave-vaisselle, fermer la porte à fond. Le témoin lumineux ON (MARCHE) restera allumé pendant le lavage, le rinçage et le séchage.

Fonctionnement des voyants

Le voyant lumineux WASHING (sur certains modèles) s'allume au début du cycle et ne s'éteint qu'à la fin du lavage principal.

Le voyant lumineux DRYING (sur certains modèles) indique que le lave-vaisselle a atteint la portion séchage de son cycle. Le voyant s'allume quelle que soit l'option de séchage sélectionnée.

Le voyant lumineux CLEAN (sur certains modèles) s'allume à la fin du cycle et ne s'éteint qu'à l'ouverture de la porte du lave-vaisselle.

Options

Option séchage à chaud (Heat Dry)

L'option de séchage à chaud HEAT DRY, combinée à un agent de rinçage, vous procurera d'excellents résultats de séchage. La consommation d'énergie de l'option de séchage à chaud HEAT DRY ne coûte que quelques cents par cycle. Vous pouvez choisir de ne pas utiliser l'option de séchage à chaud HEAT DRY. Cependant, certains articles de votre vaisselle ne seront pas tout à fait secs à la fin du cycle.

Quelle que soit l'option sélectionnée, la vapeur d'eau s'échappe par les orifices de ventilation pendant les étapes de lavage et/ou de séchage du cycle. Sur certains modèles, l'évent est fermée pendant le lavage pour retenir l'humidité à l'intérieur de la cuve ainsi que le bruit et il est ensuite ouvert pendant le séchage.

L'option séchage peut être changée à tout moment au cours du cycle et affecte seulement la période séchage.

Lavage haute température (High-Temp Wash)

Lorsque l'option HIGH-TEMP WASH ON est sélectionnée, le lave-vaisselle porte la température de l'eau du lavage principal à environ 60°C (140°F). Le lavage se poursuit mais la minuterie ne se déclenche pas tant que l'eau n'a pas atteint la bonne température. Grâce à cette option, une eau plus chaude améliore l'action du détergent pour nettoyer la vaisselle très sale. L'option de HIGH-TEMP WASH ON peut être utilisée avec tout cycle sauf QUICK RINSE, et n'est pas recommandée avec le cycle CHINA.

Fonctionnement de l'appareil (suite)

Choix du cycle de lavage

Note: Les durées des cycles sont approximatives et varient selon les options sélectionnées. Pas tous les cycles sont disponibles sur tous les modèles.

Tableau des cycles					
Cycle	Description	Pour sélectionner le cycle	Eau (approx.)	Durée* (approx.)	Lavages/Rinçages
Lavage long (Heavy Wash)	Pour la vaisselle et les ustensiles très sales.	<ul style="list-style-type: none">• Sélectionnez HEAVY WASH.• Sélectionnez les OPTIONS désirées.	35,3 litres	2 1/2 hrs	4 lavages 4 rinçages
Lavage normal (Normal Wash)	Pour la vaisselle et les ustensiles moyennement sales.	<ul style="list-style-type: none">• Sélectionnez NORMAL WASH.• Sélectionnez les OPTIONS désirées.	18,4 litres	1 3/4 hrs	2 lavages 1 rinçages
Lavage Léger (Light Wash)	Pour la vaisselle et les ustensiles peu sales ou rincés au préalable.	<ul style="list-style-type: none">• Sélectionnez LIGHT WASH.• Sélectionnez les OPTIONS désirées.	18,3 litres	1 1/2 hrs	2 lavage 2 rinçages
Rinçage rapide (Quick Rinse)	Pour rincer la vaisselle qui sera lavée plus tard.	<ul style="list-style-type: none">• N'UTILISEZ PAS de détergent.• Sélectionnez QUICK RINSE.• Sélectionnez HEAT DRY OFF.	9,1 litres	1/4 hrs	2 rinçages

* Comprend le temps de séchage.

Options (suite)

Démarrage retardé (Delay Start)

L'option DELAY START vous permet de différer le départ de votre lave-vaisselle automatiquement de heures ou de 2, 4, 6 heures.

Sur les modèles avec départ différé de 2, 4 ou 6 heures, appuyez une fois sur la touche pour une attente de deux heures, deux fois pour une attente de 4 heures et trois fois pour une de 6 heures. Un voyant s'allumera pour indiquer l'heure du départ et restera allumé jusqu'au début du cycle.

Pour annuler l'option DELAY START et démarrer le cycle avant que le compte à rebours ne soit terminé, appuyer sur la touche START/CANCEL.

Pour annuler un cycle

Il est possible d'annuler un cycle à n'importe quel moment du fonctionnement. Enfoncer le bouton START/CANCEL et le lave-vaisselle entamera un cycle de 90 secondes de vidange. A la fin de la vidange, sélectionner le cycle désiré.

Verrou de sécurité pour éviter que les enfants changent les réglages

Pour éviter que les enfants ne changent accidentellement le réglage ou la mise en marche du lave-vaisselle, verrouillez les commandes du lave-vaisselle en appuyant momentanément sur la touche QUICK RINSE (sur certains modèles) ou la touche HEAT DRY (sur certains modèles) pendant 3 secondes alors que la porte est verrouillée. Un témoin lumineux sur la touche avec cadenas s'allume quand les commandes sont verrouillées; aucune nouvelle sélection ne peut être faite sans déverrouillage préalable. Pour déverrouiller les commandes, appuyez sur la touche RINSE ONLY ou sur la touche NO HEAT DRY jusqu'à l'extinction du témoin lumineux.

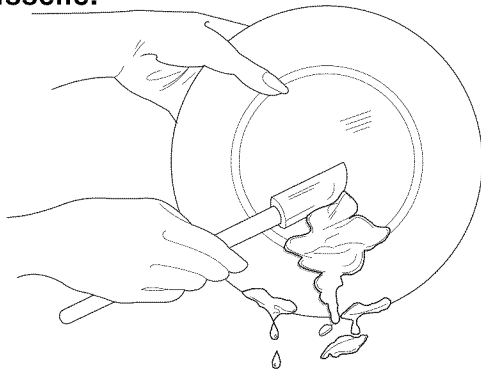
Préparation et chargement de la vaisselle

Préparation de la vaisselle

Grattez et enlevez les gros morceaux de nourriture, les os, les noyaux de fruits, les cure-dents, etc. Le système de lavage avec filtrage permanent enlèvera les particules solides de nourritures. Les aliments brûlés doivent être grattés avant le chargement. Videz les verres et les tasses.

Les aliments comme la moutarde, la mayonnaise, le vinaigre, le jus de citron et les produits à base de tomate peuvent provoquer une décoloration de l'acier inoxydable et du plastique s'ils restent trop longtemps sur la vaisselle. A moins que le lave-vaisselle ne soit mis en marche tout de suite, il est préférable de rincer la vaisselle pour enlever les dépôts de ces aliments.

- Chargez les paniers de telle sorte que les ustensiles les plus gros n'empêchent pas le distributeur de détergent de s'ouvrir.
- Consultez les directives du fabricant avant de charger en machine de tels ustensiles.
- Si l'eau du lave-vaisselle est déversée dans un broyeur d'aliments, **s'assurer que le broyeur est entièrement vide avant de démarrer le lave-vaisselle.**



Chargement du panier supérieur

Les fonctions et l'apparence des paniers, y compris de celui des couverts, peuvent être différents de celles de votre modèle.

Important: ne pas recouvrir l'entonnoir lors du chargement.

Le panier supérieur est prévu pour les tasses, verres, petites assiettes, soucoupes, bols et articles en plastique.

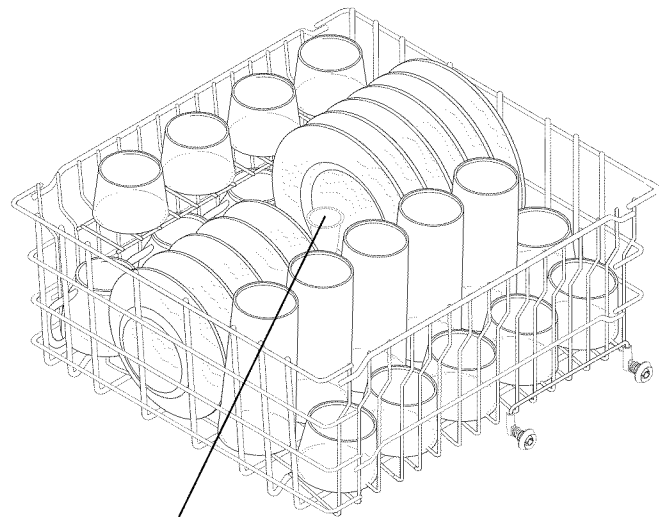
Les articles en plastique et les verres risquent d'être endommagés s'ils sont placés dans le panier inférieur.

Les verres et les tasses doivent être placés face vers le bas pour un meilleur lavage et essorage.

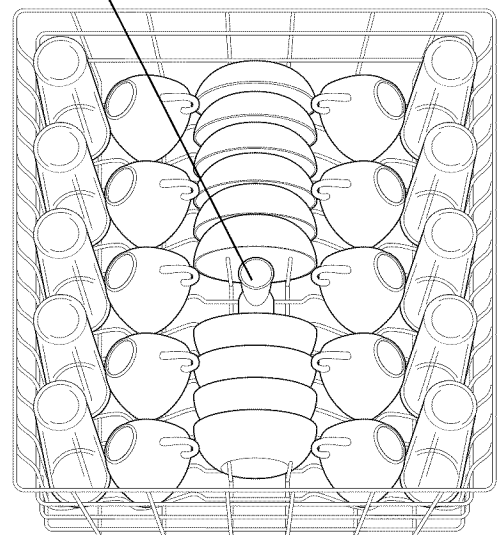
Les couteaux et ustensiles à long manche peuvent être placés dans le panier supérieur.

Il peut y avoir de la casse si des articles fragiles se touchent pendant le fonctionnement du lave-vaisselle.

Assurez-vous que rien ne passe à travers le fond du panier. Cela bloquerait la rotation du bras de lavage central.



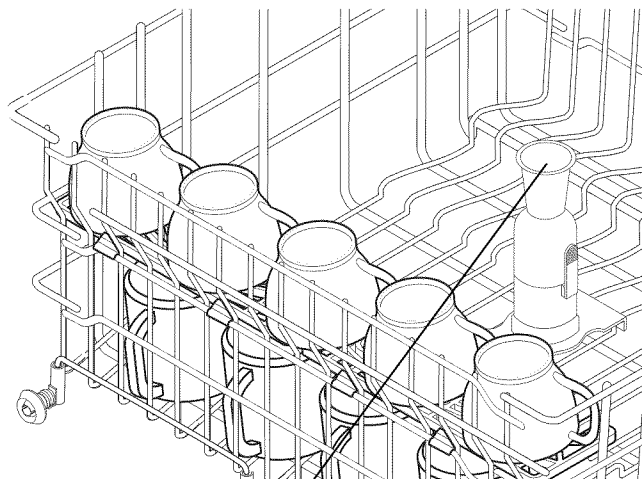
Ne pas recouvrir l'entonnoir



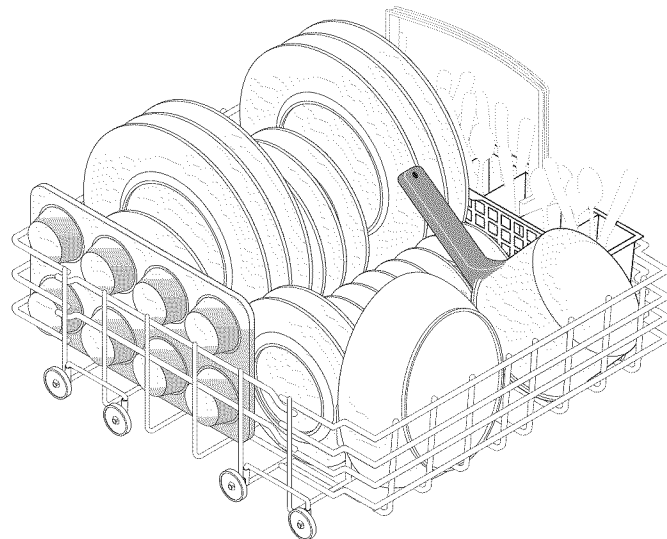
Chargement standard pour 10 couverts.

Préparation et chargement de la vaisselle (suite)

Certains modèles possèdent un panier à tasses rabattable ou un panier à tasses/support de verres à pieds. Ils peuvent servir à charger deux niveaux de tasses, de verres à jus de fruit ou d'autres articles de petite taille. Échelonnez les articles sur le niveau supérieur de manière à ce que l'eau puisse atteindre toutes les surfaces internes. Les replier pour charger des grands verres.



Ne pas recouvrir l'entonnoir



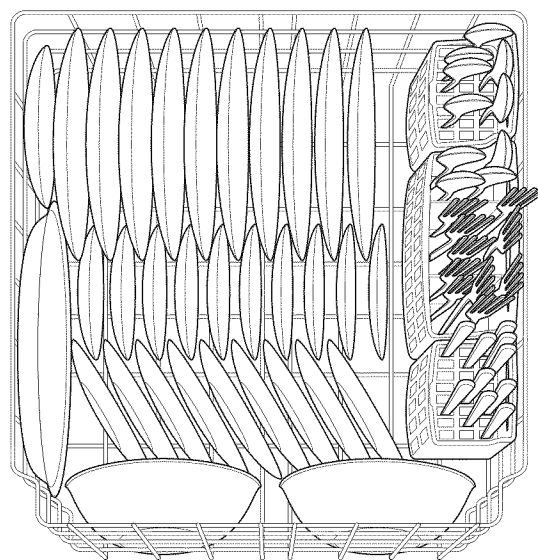
Chargement du panier inférieur

Les fonctions et l'apparence des paniers, y compris de celui des couverts, peuvent être différents de celles de votre modèle.

Le panier inférieur convient mieux aux assiettes, soucoupes, bols et ustensiles de cuisson. Les articles volumineux doivent être placés le long du bord afin de ne pas gêner le mouvement de rotation du bras de lavage. Pour de meilleurs résultats, placez les bols, cocottes et casseroles côté sale vers le bas ou vers le centre du lave-vaisselle. Penchez-les légèrement pour un meilleur écoulement de l'eau.

Assurez-vous que les grands ustensiles ne bloquent pas la rotation du bras de lavage.

Assurez-vous que les poignées des casseroles ne passent pas à travers le fond du panier car elles bloqueraient la rotation du bras de lavage.



Chargement standard pour 10 couverts.

Préparation et chargement de la vaisselle (suite)

Chargement du panier à ustensiles

⚠ ATTENTION

Risque de coupures

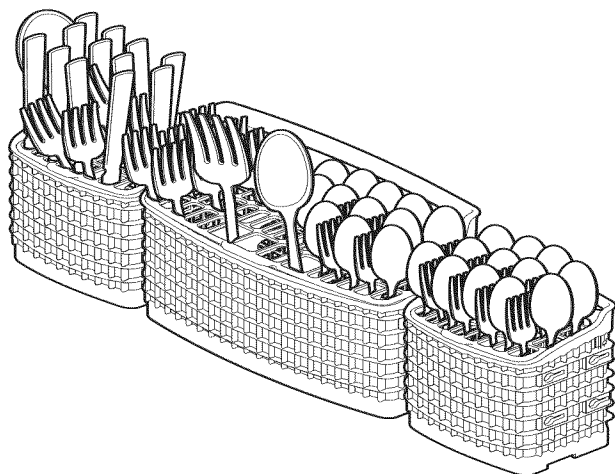
Placer les articles (couteaux, brochettes, etc), leur pointe vers le bas.

Sinon des blessures graves peuvent s'ensuivre.

Les fonctions et l'apparence des paniers, y compris celles des couverts, peuvent être différentes de celles de votre modèle.

Mettre les ustensiles dans le panier à ustensiles quand celui-ci se trouve dans le panier inférieur ou poser le panier à ustensiles sur une table ou un plan de travail pour le remplir.

Mettre les petits articles comme bouchons de biberon, couvercles de pot, mini-fourchettes à maïs, etc. dans la section avec couvercle. Fermer le couvercle pour retenir les petits articles.



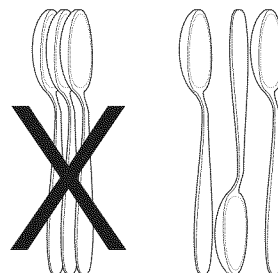
Suivre la disposition suggérée pour les articles, celle qui est illustrée, pour un meilleur lavage des couverts.

S'assurer que rien ne dépasse du dessous du panier qui pourrait bloquer le bras gicleur.

Ne pas mélanger l'argenterie avec les couverts en acier inoxydable pour éviter d'endommager l'argenterie.

Le panier à ustensiles peut être séparé en plusieurs sections qui peuvent être placées à divers endroits dans le panier inférieur. Remplir de couverts toutes les sections ou bien une seule selon le besoin.

Quand les couvercles sont relevés, mélanger les articles dans chaque section du panier, certains se dirigeant vers le haut d'autres vers le bas, pour éviter de les emboîter. Les jets d'eau ne peuvent pas atteindre certains articles emboîtés.



Ajout d'un article

Pour ajouter ou retirer les articles après avoir démarré le cycle de lavage:

- Déverrouiller la porte et attendre quelques secondes que le lavage s'arrête avant d'ouvrir.
- Ajouter l'article et attendre quelques secondes pour permettre à l'air froid de se propager lentement dans le lave-vaisselle.
- Fermer la porte à fond pour poursuivre le cycle.

Distributeurs et détergents

Remplissage du distributeur de détersif

Le distributeur de détersif est muni d'un godet fermable et d'un autre découvert. Le détersif dans le godet découvert tombe dans le lave-vaisselle dès que la porte se ferme. Le godet fermable s'ouvre automatiquement durant le lavage principal.

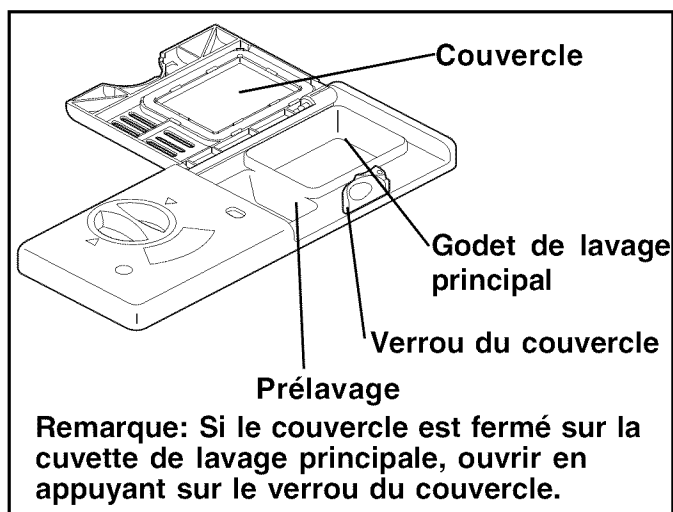
- Utiliser uniquement un détergent neuf pour lave-vaisselle automatique. D'autres types de détergent peuvent provoquer une formation de mousse excessive.
- Si l'on utilise les tablettes de détergent pour lave-vaisselle, il suffit de placer une tablette dans le godet principal de détergent et de fermer ce godet.
- Ajouter du détergent avant de commencer le cycle.
- Ranger le détergent dans un endroit frais et sec. Un détergent qui a pris l'humidité et qui s'est solidifié ne se dissout pas complètement.

⚠ ATTENTION

L'utilisation d'un détergent industriel peut endommager le serpentin et d'autres pièces du lave-vaisselle, entraînant ainsi des dommages à l'appareil et aux biens qui l'entourent. Utilisez uniquement des détergents à lave-vaisselle ménagers.

Quelle quantité de détergent utiliser

La quantité de détergent à utiliser dépend de la dureté de l'eau. La dureté de l'eau est mesurée en grains par gallon. Lorsque la quantité de détergent est insuffisante, les résultats de lavage peuvent être insatisfaisants, et l'eau dure peut laisser un film ou des taches sur la vaisselle. L'utilisation d'une trop grande quantité de détergent dans l'eau douce peut entraîner la formation d'un film permanent par suite d'attaque par le détergent. La compagnie des eaux, la compagnie d'adoucisseurs de votre région ou les services publics de la municipalité peuvent vous fournir la dureté de l'eau de votre secteur.



Guide d'utilisation de détergent

Cycle	Eau douce (0-3 grains)	Eau moyennement dure (4-8 grains)	Eau dure (9-12 grains)	Eau très dure* (plus de 12 grains)
Très Sale (Heavy Wash) Lavage Normal (Normal Wash)	2 cuillerées à thé (chaque godet – rempli au 1/4)	5 cuillerées à thé (chaque godet – rempli jusqu'au repère au-dessus de «Regular»)	8 cuillerées à thé (chaque godet – entièrement rempli)	Chaque godet – entièrement rempli (adoucisseur d'eau recommandé)
Lavage léger (Light Wash)	2 cuillerées à thé (godet de lavage principal – rempli au 1/4)	5 cuillerées à thé (godet de lavage principal – rempli jusqu'au repère au-dessus de «Regular»)	8 cuillerées à thé (godet de lavage principal – entièrement rempli)	Godet de lavage principal – entièrement rempli (adoucisseur d'eau recommandé)
Rinçage rapide (Quick Rinse)	Pas de détergent	Pas de détergent	Pas de détergent	Pas de détergent (adoucisseur d'eau recommandé)

***Remarque:** Dans le cas d'eau très dure, le détergent seul peut ne pas être suffisant. Il est recommandé d'ajouter un adoucisseur d'eau pour améliorer la qualité de l'eau et les performances de lavage. Essayer d'ajouter du détergent au commencement de la portion lavage principal du cycle. En règle générale, utiliser une cuillère à thé pour chaque grain au-dessus de 12. Déverrouiller la porte, ouvrir lentement et ajouter du détergent au fond de la cuve. Fermer la porte pour la verrouiller et le lave-vaisselle continuera le cycle.

Distributeurs et détergents (suite)

Produit de rinçage

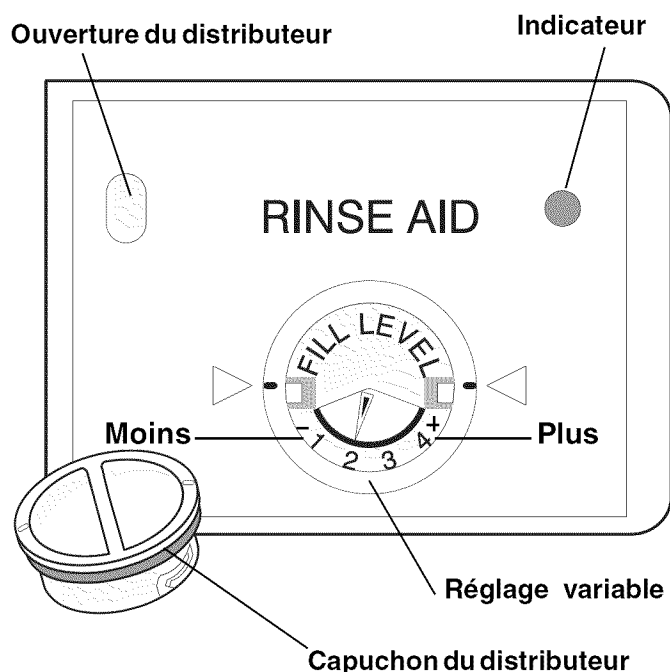
Les produits de rinçage améliorent le séchage et réduisent les taches et les films d'eau. L'eau glisse sur la vaisselle et ne forme pas de gouttelettes qui s'accrochent en laissant des taches sur les ustensiles.

Le distributeur est situé près du godet à détergent et libère automatiquement une quantité précise de produit lors du rinçage final. En cas de marques et de mauvais séchage, augmenter la quantité de produit de rinçage en tournant le bouton sur un chiffre plus élevé. Le bouton est situé sous le capuchon du distributeur. L'indicateur est foncé lorsque le distributeur est plein et clair lorsqu'il est temps de le remplir.

Pour ajouter le produit de rinçage liquide, tourner le capuchon du distributeur d'1/4 de tour à gauche et le sortir. Verser le produit de rinçage jusqu'à ce que le liquide arrive au niveau de remplissage indiqué. Remettre le capuchon.

Ne pas trop remplir, ceci risquerait d'entraîner un excès de mousse. Essuyer tout produit renversé avec un linge humide.

Le distributeur contient du liquide pour environ 35 à 140 lavages selon le réglage choisi.



Facteurs affectant le rendement

Pression d'eau

La canalisation d'alimentation d'eau chaude au lave-vaisselle doit fournir une pression d'eau entre 20 et 120 psi.

La pression d'eau peut être basse lorsqu'une machine à laver ou les douches fonctionnent. Attendez une réduction de l'utilisation d'eau avant de démarrer le lave-vaisselle.

Température de l'eau

L'eau chaude est nécessaire pour de meilleurs résultats de lavage et de séchage. Pour donner des résultats satisfaisants, l'eau arrivant dans le lave-vaisselle doit avoir une température d'au moins 120°F (49°C).

Pour vérifier la température de l'eau arrivant dans le lave-vaisselle:

- Tournez le robinet d'eau chaude le plus proche du lave-vaisselle pendant quelques minutes pour dégager l'eau fraîche des tuyaux.
- Tenez un thermomètre de bonbons ou à viande sous l'eau pour vérifier la température.
- Si la température est au-dessous de 120°F (49°C), demandez à une personne qualifiée d'augmenter le réglage du thermostat.

Important: Avant de démarrer un cycle de lavage, faites couler l'eau chaude pour dégager l'eau fraîche du tuyau d'arrivée d'eau.

L'option de séchage à chaud HEAT DRY, combinée à un agent de rinçage, améliorera les performances de séchage de votre lave-vaisselle. La consommation d'énergie nécessaire à l'utilisation de l'option de séchage à chaud HEAT DRY coûte moins de quelques cents par cycle. Vous pouvez choisir de ne pas utiliser l'option de séchage à chaud HEAT DRY. Cependant, certains articles de votre vaisselle ne seront pas tout à fait secs à la fin du cycle.

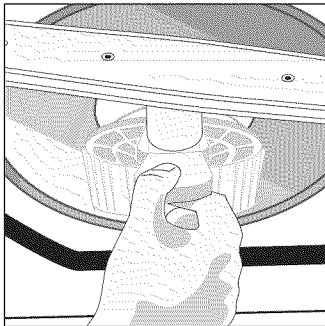
Entretien et nettoyage

⚠ AVERTISSEMENT	
	Risques de brûlure Laissez refroidir l'élément chauffant avant de nettoyer l'intérieur. Dans le cas contraire il pourrait en résulter des brûlures.

Extérieur—Lave de temps en temps à l'aide d'un détergent doux et de l'eau. Rincer et sécher.

Intérieur—L'intérieur du lave-vaisselle est auto-nettoyant en usage normal. Au besoin, nettoyez le pourtour du joint d'étanchéité de la cuve avec un chiffon humide.

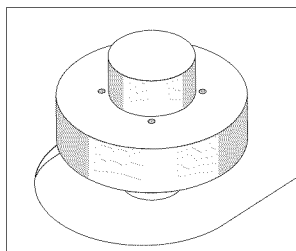
Le filtre est auto-nettoyant. Une trappe de verre située au centre du filtre est conçue pour recueillir les bris de verre, les pailles, les os et les noyaux. Pour retirer les articles de la trappe, saisissez la poignée, soulevez, videz et remplacez.



Remarque: L'eau dure peut causer une accumulation de calcaire à l'intérieur du lave-vaisselle. Pour instructions de nettoyage, voir la section « Pour enlever les taches et pellicules ».

Trop-plein—empêche le lave-vaisselle de trop se remplir. Il est situé dans le coin avant gauche de la cuve.

- Nettoyez occasionnellement avec un nettoyant domestique contenant du vinaigre ou un javelisant pour dissoudre toute accumulation.
- Le trop-plein doit pouvoir se soulever facilement d'un pouce. S'il ne fonctionne pas facilement, soulevez-le et nettoyez le dessous.



Entretien du tuyau de ventilation de vidange

Si un tuyau de ventilation de vidange est installé pour votre lave-vaisselle encastré, assurez-vous qu'il est propre de manière à ce que le lave-vaisselle puisse vidanger correctement. Un tuyau de ventilation de vidange est monté habituellement sur le dessus de comptoir et peut être inspecté en enlevant le bouchon. Ceci ne fait pas partie de votre lave-vaisselle et n'est pas couvert par la garantie.

⚠ ATTENTION
Risques de dommage matériel Des températures de gel peuvent provoquer des fuites de conduites d'eau. Assurez-vous que toutes les conduites d'eau au lave-vaisselle et ses canalisations intérieures sont protégées. Dans le cas contraire, il pourrait résulter des dommages matériels.

Protection hivernale

Un lave-vaisselle laissé à un endroit non chauffé doit être protégé du gel. Demandez à une personne qualifiée de faire ce qui suit:

De débrancher les services d'alimentation:

1. Fermez le courant électrique au lave-vaisselle à la source d'alimentation en retirant les fusibles ou fermant le disjoncteur de circuit.
2. Fermez l'alimentation d'eau.
3. Placez un récipient sous le robinet d'arrivée d'eau. Débranchez la canalisation d'eau du robinet d'arrivée d'eau et vidangez dans le récipient.
4. Déconnectez le tuyau de vidange de la pompe et vidangez l'eau dans le récipient.

Remarque: Voir instructions d'installation pour de plus amples informations.

Pour rétablir le service:

1. Rebranchez l'eau, le tuyau de vidange et le courant électrique.
2. Ouvrez l'eau et le courant électrique.
3. Remplir les deux distributeurs de détergent et faire fonctionner le lave-vaisselle en cycle NORMAL.
4. Vérifiez les connexions pour assurer qu'elles sont dénuées de fuite.

Remarque: Voir instructions d'installation pour de plus amples informations.

Solutions aux problèmes d'utilisation courante

Avant de faire appel à un technicien, consulter la liste qui suit. Cela peut épargner temps et argent. Cette liste porte sur des troubles communs qui ne sont pas causés par un défaut de fabrication ni par un matériau défectueux.

Taches résiduelles d'aliments sur la vaisselle

- Sélectionnez un autre cycle pour un lavage plus long.
- Vérifiez la section chargement des paniers pour un chargement approprié—Évitez d'emboîter les articles.
- Il est possible que la pression d'eau de la résidence soit trop basse, elle doit être de 20 à 120 livres par pouce carré (psi).
- Vérifiez la température de l'eau. Elle doit être d'un minimum de 120°F (49°C). (Voir Facteurs affectant la performance.)
- Sélectionner l'option HI-TEMP WASH.
- Vérifiez la dureté de l'eau. Pour l'eau très dure, il peut s'avérer nécessaire d'installer un adoucisseur d'eau. (Voir Tableau de détersifs.)
- Utilisez du détersif frais, en bon état.
- Assurez-vous que l'entonnoir du panier supérieur n'est pas obstrué.
- Assurez-vous qu'aucun article ne bloque les bras gicleurs, les empêchant de tourner.

Vaisselle mal séchée

- Sélectionnez l'option séchage à chaud.
- Assurez-vous que le distributeur d'agent de rinçage est rempli.
- Augmentez la quantité d'agent de rinçage. (Voir Agent de rinçage.)
- Vérifiez la température de l'eau. Assurez-vous qu'elle est à un minimum de 120°F (49°C).
- Vérifiez si le chargement est approprié et évitez d'emboîter les articles.
- Il peut s'avérer nécessaire de sécher les articles en plastique à la main.
- Les tasses munies d'un fond concave retiennent l'eau.

Verrerie/coutellerie tachée ou revêtue de pellicule

- Vérifiez la dureté de l'eau. Pour l'eau très dure, il peut s'avérer nécessaire d'installer un adoucisseur d'eau. (Voir Tableau de détersifs.)
- Il est possible que la température de l'eau soit basse. Évitez les températures trop basses ou trop élevées. (Voir Facteurs affectant la performance.)
- Évitez de surcharger et de charger d'une manière inappropriée. (Voir préparation et chargement de vaisselle.)
- Utilisez du détersif frais, en bon état. Le vieux détersif est inefficace.
- Assurez-vous que le distributeur d'agent de rinçage est rempli.
- Assurez-vous que la quantité de détersif adéquate au cycle sélectionné est utilisée. Vérifiez également le niveau de phosphate. (Voir Distributeur de détersif.)
- Il est possible que la pression d'eau de la résidence soit trop basse, elle doit être de 20 à 120 livres par pouce carré (psi).

Vaisselle ébréchée

- Chargez avec précaution et ne surchargez pas. (Voir préparation et chargement de vaisselle.)
- Placez les articles délicats dans le panier supérieur.
- Placez les verres sécuritairement contre les tiges et non par-dessus.
- Chargez les articles de manière à ce qu'ils soient solidement fixés et ne se déplacent pas au moment de pousser et de tirer les paniers. Poussez et tirez lentement les paniers.
- Veillez à ce que les grands verres et verres à pied ne touchent pas le haut de la cuve lorsque le panier est poussé à l'intérieur.
- La fine porcelaine et le cristal doivent être lavés à la main.

Solutions aux problèmes d'utilisation courante (suite)

Vaisselle tachée ou décolorée

- Le thé et le café peuvent tacher les tasses. Enlevez les taches à la main avec une solution d'une 1/2 tasse de javelisant (120 ml) et d'une pinte d'eau tiède. Rincez à fond.
- Les dépôts de fer dans l'eau peuvent former une pellicule jaune ou brune. Un filtre spécial installé dans la conduite d'alimentation d'eau corrigera la situation. (Voir Enlever les taches et pellicule.)
- Les ustensiles en aluminium peuvent laisser des traces grises/noires lorsqu'ils se frottent contre les autres articles. Chargez correctement.
- Les aliments à haute teneur en acide peuvent décolorer l'acier inoxydable et les plastiques s'ils ne sont pas nettoyés pour une longue période de temps. Utilisez le cycle rinçage/mise en attente ou rincez à la main si vous ne démarrez pas immédiatement le lave-vaisselle.
- Le mélange d'ustensiles en acier inoxydable et en argent dans le panier à coutellerie peut occasionner des piqûres sur les lames en acier inoxydable. Évitez d'entremêler l'argent et l'acier inoxydable.

Rainures

- L'utilisation de trop de détergent dans l'eau douce ou adoucie forme une pellicule impossible à enlever.
- Ajustez la quantité de détergent en fonction de la dureté de l'eau. (Consultez le tableau des détergents.)
- Abaissez la température de l'eau.
- Sélectionnez l'option séchage à froid.

Détergent demeuré dans les godets

- Il est possible que le détergent soit vieux. Jetez-le et utilisez du détergent frais, en bon état.
- Assurez-vous que le giclement de l'eau peut atteindre le distributeur.
- Assurez-vous que le cycle est bien complété.
- Assurez-vous qu'aucun article n'entrave l'ouverture du distributeur de détergent.

Le lave-vaisselle fuit

- Utilisez seulement du détergent frais, en bon état conçu pour lave-vaisselle automatique. Mesurez le détergent attentivement. Essayez une marque différente.
- Tout agent de rinçage renversé peut causer de la mousse et entraîner un débordement. Essayez tout renversement avec un chiffon humide.
- Vérifiez que le lave-vaisselle est à niveau. (Voir Instructions d'installation.)

Bruits normaux que vous entendrez

- Les bruits normaux comprennent le remplissage d'eau, la circulation de l'eau et les bruits du moteur.
- Il y a un changement de son caractéristique lorsque l'action de lavage passe du bras gicleur inférieur au bras gicleur intermédiaire. Ceci est normal puisque chaque bras gicleur a son propre son.
- Il est normal que le lave-vaisselle fasse une pause (aucun son) lorsque l'action de lavage passe du bras gicleur inférieur au bras intermédiaire.

Eau au fond de la cuve

- Il est anormal qu'il reste de l'eau au fond de la cuve à la fin du cycle. Si l'eau reste au fond de la cuve, le lave-vaisselle ne vidange pas correctement. (Voir le lave-vaisselle ne vidange pas correctement.)

Vapeur aux orifices de ventilation

- De la vapeur d'eau s'échappe par les orifices de ventilation pendant les étapes de lavage et/ou de séchage du cycle. Ceci est normal.

Le lave-vaisselle ne fonctionne pas

- Vérifiez si le disjoncteur s'est déclenché ou si le fusible a sauté.
- Assurez-vous que l'alimentation en eau est ouverte.
- Vérifiez si le cycle est réglé correctement. (Voir Instructions de fonctionnement.)
- Est-ce que le lave-vaisselle est réglé à l'option mise en marche différée?
- Assurez-vous que la porte est bien fermée et verrouillée.

Solutions aux problèmes d'utilisation courante suite

Le lave-vaisselle ne vidange pas correctement

- Si l'appareil est branché à un broyeur à déchets, assurez-vous qu'il est vide.
- Vérifiez si le raccord amovible a été enlevé à l'intérieur du tuyau d'arrivée du broyeur de déchets.
- Vérifiez si le tuyau de vidange est plié.
- Assurez-vous que le cycle est terminé, et non pas en période de pause.

Le cycle dure trop longtemps

- Est-ce que le cycle est en chauffage d'eau différé?
- Est-ce que l'option démarrage différé a été sélectionnée?
- L'option de désinfection a-t-elle été sélectionnée ?

Le lave-vaisselle ne se remplit pas d'eau

- Est-ce que l'alimentation en eau est ouverte?
- Vérifier le disjoncteur résidentiel ou la boîte à fusibles.
- S'assurer que le tuyau d'admission n'est pas plié.
- Est-ce que le trop-plein se déplace librement de haut en bas? (Voir section trop-plein.)
- Le niveau d'eau normal de remplissage du lave-vaisselle ne dépasse pas le bas des attaches de l'élément chauffant.

Le lave-vaisselle dégage une odeur

- La vaisselle sale laissée trop longtemps dans le lave-vaisselle peut générer une odeur. Utilisez le cycle Rinçage/Mise en attente.
- Une odeur de "neuf" se dégagera une fois le lave-vaisselle installé. Ceci est normal.
- Vérifiez si l'unité vidange correctement. (Voir le lave-vaisselle ne vidange pas correctement.)

Taches à l'intérieur de la cuve

- Le lavage d'une grande quantité de vaisselle comprenant des résidus de sauce tomate peut donner une apparence rose/orange. Ceci n'affectera pas la performance et s'estompera graduellement avec le temps. Le pré-rinçage et l'utilisation du cycle Rinçage/Mise en attente réduira la formation de taches. L'utilisation de l'option HEAT DRY OFF diminuera la formation de taches.

Enlever les taches et pellicule

L'eau dure peut causer un dépôt de calcaire à l'intérieur du lave-vaisselle. La vaisselle et les verres peuvent également avoir des taches et pellicule pour plusieurs raisons. (Voir la section Verrerie/coutellerie tachée ou revêtue de pellicule.) Pour enlever le dépôt de calcaire, les taches et la pellicule, nettoyez en suivant les étapes ci-dessous:

1. Chargez la vaisselle et les verres propres comme d'habitude. Ne mettez aucun ustensile de métal ou d'argenterie.
2. N'ajoutez pas de détergent.
3. Sélectionnez l'option HEAVY WASH. Fermez et verrouillez la porte.
4. Laissez le lave-vaisselle fonctionner pendant 25 minutes pour arriver au cycle de lavage principal.
5. Déverrouillez la porte, ouvrez-la et versez 2 tasses de vinaigre blanc au fond du lave-vaisselle.
6. Fermez la porte et laissez le cycle se terminer.

Remarque: Si ces conditions ne s'améliorent pas, il faut considérer un adoucisseur d'eau résidentiel.

GARANTIE SUR LES APPAREILS KENMORE

Garantie limitée d'un an

Si le produit est installé, utilisé et entretenu selon toutes les instructions fournies et qu'il présente un problème relié à un défaut de fabrication ou à un vice de matériau au cours de l'année suivant la date d'achat, téléphonez au 1-800-4-MY-HOME® pour obtenir une réparation gratuite de l'appareil. Si cet appareil est utilisé à d'autres fins que l'usage familial privé, cette garantie est valide seulement pendant 90 jours suivant la date d'achat.

Cette garantie couvre seulement les défauts de fabrication ou les vices de matériau. Sears NE COUVRE PAS les frais reliés :

1. Aux articles consommables qui sont sujets à l'usure normale, incluant, sans en exclure d'autres, filtres, courroies, ampoules et sacs.
2. À la visite d'un réparateur pour démontrer l'installation, l'utilisation et l'entretien appropriés de l'appareil.
3. À la visite d'un réparateur pour nettoyer ou entretenir l'appareil.
4. Aux dommages ou pannes causés par une mauvaise installation, utilisation ou entretien qui n'ont pas été effectués selon toutes les instructions fournies avec ce produit.
5. Aux dommages ou pannes causés par un accident, un abus, une mauvaise utilisation ou toute utilisation autre que celle pour laquelle il a été conçu.
6. Aux dommages ou pannes causés par l'utilisation de détergents, nettoyants, produits chimiques ou accessoires autres que ceux recommandés dans toutes les instructions fournies avec ce produit.
7. Aux dommages affectant les pièces ou les systèmes ou aux pannes causés par des modifications du produit non autorisées.

À l'avis de garanties implicites; limitations des recours

L'unique recours du client en vertu de cette garantie limitée est la réparation du produit comme décrit précédemment. Les garanties implicites, y compris les garanties implicites de qualité marchande et d'adaptation à un usage particulier, sont limitées à un an ou à la période la plus courte permise par la loi. Sears ne peut être tenue responsable des dommages directs ou indirects. Certains États et certaines provinces ne permettent pas de restriction ou d'exemption sur les dommages directs ou indirects, ou de restriction sur les garanties implicites de qualité marchande ou d'adaptation à un usage particulier. Dans ce cas, ces restrictions ou exemptions pourraient ne pas être applicables.

Cette garantie est valide seulement si ce produit est utilisé aux États-Unis ou au Canada.

Cette garantie vous donne des droits juridiques spécifiques et vous pouvez aussi bénéficier d'autres droits qui varient d'un État à un autre, ou d'une province à une autre.

Sears Roebuck and Co., Dept. 817WA Hoffman Estates, IL 60179, États-Unis.

Sears Canada, Inc., Toronto, Ontario, Canada M5B 2B8

Get it fixed, at your home or ours!

Your Home

For expert troubleshooting and home solutions advice:

manage my home

www.managemyhome.com

For repair – in your home – of all major brand appliances, lawn and garden equipment, or heating and cooling systems, **no matter who made it, no matter who sold it!**

For the replacement parts, accessories and owner's manuals that you need to do-it-yourself.

For Sears professional installation of home appliances and items like garage door openers and water heaters.

1-800-4-MY-HOME® (1-800-469-4663)

Call anytime, day or night (U.S.A. and Canada)

www.sears.com

www.sears.ca

Our Home

For repair of carry-in items like vacuums, lawn equipment, and electronics, call anytime for the location of your nearest

Sears Parts & Repair Service Center

1-800-488-1222 (U.S.A.)

www.sears.com

1-800-469-4663 (Canada)

www.sears.ca

To purchase a protection agreement on a product serviced by Sears:

1-800-827-6655 (U.S.A.)

1-800-361-6665 (Canada)

Para pedir servicio de reparación a domicilio, y para ordenar piezas:

1-888-SU-HOGAR®

(1-888-784-6427)

Au Canada pour service en français:

1-800-LE-FOYER^{MC}

(1-800-533-6937)

www.sears.ca

Sears

© Registered Trademark / TM Trademark / SM Service Mark of Sears Brands, LLC

© Marca Registrada / TM Marca de Fábrica / SM Marca de Servicio de Sears Brands, LLC

^{MC} Marque de commerce / ^{MD} Marque déposée de Sears Brands, LLC

© Sears Brands, LLC