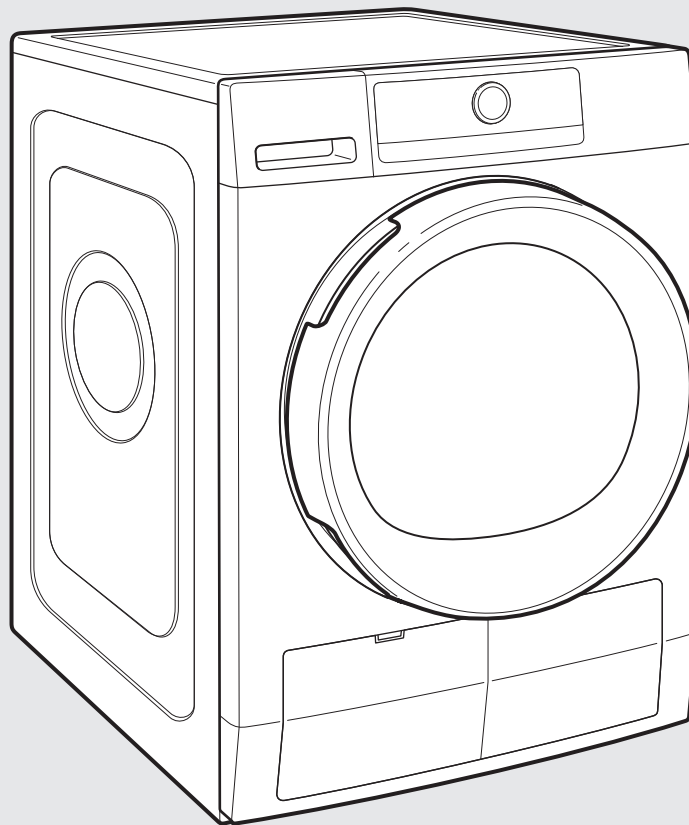




Use & Care Guide Guide d'utilisation et d'entretien

Heat Pump Dryer Sécheuse avec pompe à chaleur



Para obtener acceso al Manual de uso y cuidado en español, o para obtener información adicional acerca de su producto, visite: www.whirlpool.com.

If you have any problems or questions, visit us at www.whirlpool.com
Pour tout problème ou toute question, consulter www.whirlpool.ca

W10858718B
W10858720B - SP



Table of Contents

| | |
|----------------------------------------------------|-------------------|
| DRYER SAFETY | 2 |
| OPERATING INSTRUCTIONS | 4 |
| ACCESSORIES | 4 |
| HEAT PUMP TECHNOLOGY | 5 |
| CONTROL PANEL AND FEATURES | 6 |
| PROGRAM/CYCLE GUIDE | 7 |
| USING YOUR DRYER | 9 |
| DRYER CARE | 12 |
| INSTALLATION INSTRUCTIONS | 14 |
| INSTALLATION REQUIREMENTS | 14 |
| LOCATION REQUIREMENTS | 15 |
| DRAIN SYSTEM | 16 |
| ELECTRICAL REQUIREMENTS – U.S.A. ONLY | 17 |
| ELECTRIC DRYER POWER HOOKUP – CANADA ONLY | 18 |
| ELECTRIC INSTALLATION – U.S.A. ONLY | 18 |
| LEVEL DRYER | 24 |
| COMPLETE INSTALLATION CHECKLIST | 24 |
| DOOR REVERSAL (OPTIONAL) | 25 |
| TROUBLESHOOTING | 30 |
| WARRANTY | 35 |
| ASSISTANCE OR SERVICE | Back Cover |

Table de matières

| | |
|---------------------------------------------------------------------|---------------------------|
| SÉCURITÉ DE LA SÈCHEUSE | 36 |
| INSTRUCTIONS D'UTILISATION | 37 |
| ACCESSOIRES | 37 |
| TECHNOLOGIE DE POMPE À CHALEUR | 38 |
| TABLEAU DE COMMANDE ET CARACTÉRISTIQUES | 39 |
| GUIDE DE PROGRAMMES | 40 |
| UTILISATION DE LA SÈCHEUSE | 42 |
| ENTRETIEN DE LA SÈCHEUSE | 45 |
| INSTRUCTIONS D'INSTALLATION | 47 |
| EXIGENCES D'INSTALLATION | 47 |
| EXIGENCES D'EMPLACEMENT | 48 |
| SYSTÈME DE VIDANGE | 49 |
| SPÉCIFICATIONS ÉLECTRIQUES – ÉTATS-UNIS SEULEMENT | 50 |
| RACCORDEMENT DE LA SÈCHEUSE ÉLECTRIQUE – CANADA UNIQUEMENT | 51 |
| INSTALLATION ÉLECTRIQUE – ÉTATS-UNIS SEULEMENT | 51 |
| RÉGLAGE DE L'APLOMB DE LA SÈCHEUSE | 57 |
| LISTE DE VÉRIFICATION POUR INSTALLATION TERMINÉE | 57 |
| INVERSION DE LA PORTE (FACULTATIF) | 58 |
| DÉPANNAGE | 63 |
| GARANTIE | 66 |
| ASSISTANCE OU SERVICE | Couverture arrière |

DRYER SAFETY

Your safety and the safety of others are very important.

We have provided many important safety messages in this manual and on your appliance. Always read and obey all safety messages.



This is the safety alert symbol.

This symbol alerts you to potential hazards that can kill or hurt you and others.

All safety messages will follow the safety alert symbol and either the word “DANGER” or “WARNING.”

These words mean:

⚠ DANGER

You can be killed or seriously injured if you don't immediately follow instructions.

⚠ WARNING

You can be killed or seriously injured if you don't follow instructions.

All safety messages will tell you what the potential hazard is, tell you how to reduce the chance of injury, and tell you what can happen if the instructions are not followed.



WARNING - “Risk of Fire”

- Clothes dryer installation must be performed by a qualified installer.
- Install the clothes dryer according to the manufacturer's instructions and local codes.
- To reduce the risk of severe injury or death, follow all installation instructions.
- Save these instructions.

IMPORTANT SAFETY INSTRUCTIONS

WARNING: To reduce the risk of fire, electric shock, or injury to persons when using the dryer, follow basic precautions, including the following:

- Read all instructions before using the dryer.
- Do not place items exposed to cooking oils in your dryer. Items contaminated with cooking oils may contribute to a chemical reaction that could cause a load to catch fire. .
- Do not dry articles that have been previously cleaned in, washed in, soaked in, or spotted with gasoline, dry-cleaning solvents, or other flammable or explosive substances as they give off vapors that could ignite or explode.
- Do not allow children to play on or in the dryer. Close supervision of children is necessary when the dryer is used near children.
- Before the dryer is removed from service or discarded, remove the doors to the drying compartment.
- Do not reach into the dryer if the drum is moving.
- Do not install or store the dryer where it will be exposed to the weather.
- Do not tamper with controls.
- Do not repair or replace any part of the dryer or attempt any servicing unless specifically recommended in this Use and Care Guide or in published user-repair instructions that you understand and have the skills to carry out.
- Do not use fabric softeners or products to eliminate static unless recommended by the manufacturer of the fabric softener or product.
- Do not use heat to dry articles containing foam rubber or similarly textured rubber-like materials.
- Clean lint screen before or after each load.
- Keep the grille on the rear of the dryer free from the accumulation of lint, dust, and dirt.
- The interior of the appliance should be cleaned periodically by qualified service personnel.
- See “Electrical Requirements” in “Installation Instructions” for grounding instructions.

SAVE THESE INSTRUCTIONS

State of California Proposition 65 Warnings:

WARNING: This product contains one or more chemicals known to the State of California to cause cancer.

WARNING: This product contains one or more chemicals known to the State of California to cause birth defects or other reproductive harm.

IMPORTANT SAFETY INSTRUCTIONS

When discarding or storing your old clothes dryer, remove the door.

SAVE THESE INSTRUCTIONS

OPERATING INSTRUCTIONS

Accessories

INSTALLATION & MAINTENANCE ACCESSORIES

FACTORY CERTIFIED PARTS – these three words represent quality parts and accessories designed specifically for your appliance. Time tested engineering that meets our strict quality specifications.

FACTORY CERTIFIED PARTS

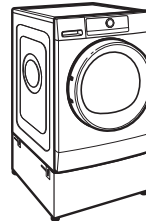
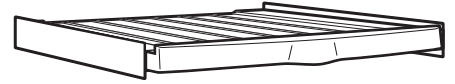
Accessories designed for your appliance:

Enhance your new washer and dryer with the following genuine Whirlpool accessories. For more information on options and ordering, call **1-866-698-2538**, or visit us at: www.whirlpool.com/accessories. In Canada, call **1-800-688-2002** or visit us at www.whirlpoolparts.ca.



Stack Kit

If space is at a premium, the stack kit allows the dryer to be installed on top of the washer.



12" Pedestal

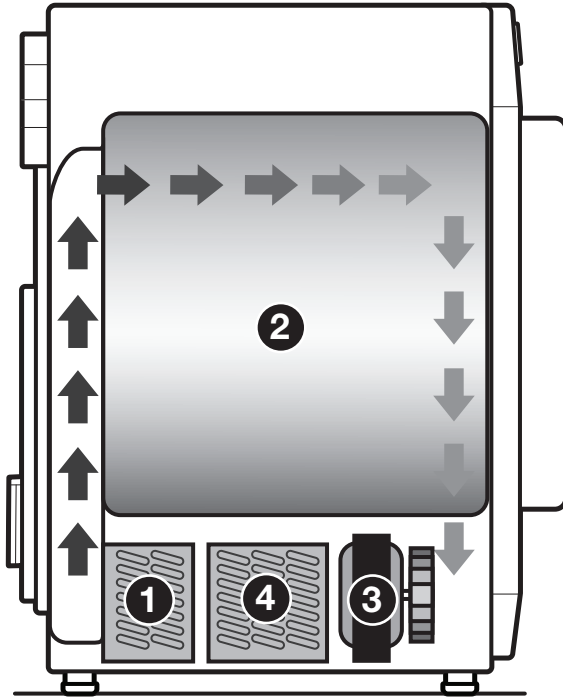
Color-matched pedestals raise the washer and dryer to a more comfortable working height.

Heat Pump Technology

A typical dryer uses large amounts of energy; this dryer consumes a fraction of the energy by recycling and reclaiming heat. This dryer is a ventless heat pump dryer that uses a refrigeration system to dry and recycle the same air. The laundry is dried with low temperatures; therefore it may feel cooler than expected during and after the drying process.

The heat pump dryer's heating phase is longer than in traditional dryers. If possible, do not open the dryer door during the process as heat can escape from the drum and can make longer drying times.

Heat Pump Unit



- ❶ Condenser is heating up the air
- ❷ Drying
- ❸ Air blower
- ❹ Evaporator is drying air and discharging condensation water

Benefits of a Heat Pump

- ENERGY: Regenerates energy to reduce overall energy consumption.
- PERFORMANCE: Allows flexibility to manage drying performance and energy savings.
- FABRIC CARE: Capability to use less heat than vented dryer.
- VENTLESS DESIGN: Allows installation in more locations throughout the home.

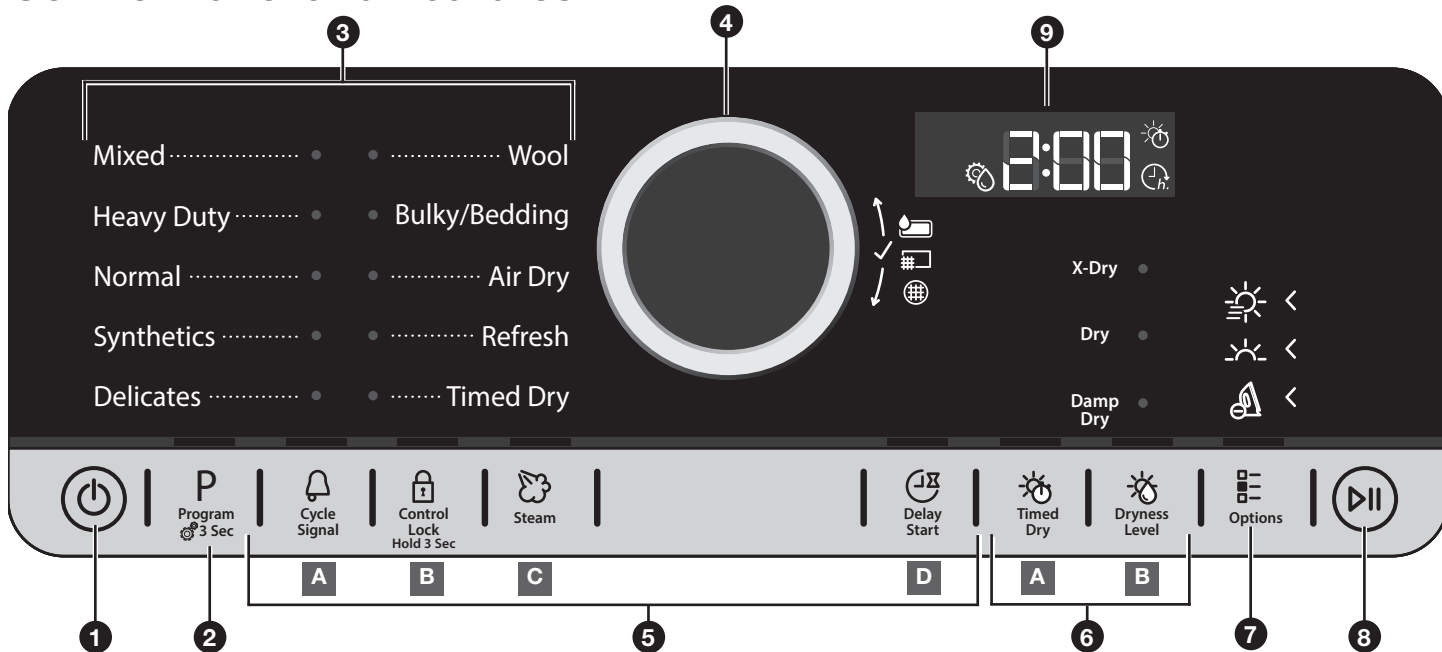
New Sounds from a Heat Pump

- Dryer runs on a compressor like your refrigerator and you may notice a hum from the compressor.
- The water from wet clothes is pumped out to your drain or water tank. You may notice a gurgling sound occasionally.

Use Automatic Cycles for better fabric care and energy savings

Use the Automatic Cycles to provide the most energy savings and enhanced fabric care from the dryer. During Automatic Cycles, heat pump unit temperature and moisture level are sensed in the load. This sensing occurs throughout the drying cycle and the dryer shuts off when the load reaches the selected dryness. Use the NORMAL dryness level to provide optimal energy savings. With Timed Dry, the dryer runs the amount of time set and can result in shrinkage, wrinkling, and static due to over-drying. Use Timed Dry for the occasional damp load that needs a little more drying time.

Control Panel and Features



1 POWER BUTTON

Touch until the indicator above the Program button lights up. Symbols appear on the control panel and sounds are played.

2 PROGRAM (cycle)

When you turn on the dryer, the light above this button will turn on. The program settings which you used last will appear on the control panel. This button also lets you set water conductivity (see “Adapting the dryer to water conductivity” for more information).

3 PROGRAM/CYCLE AREA

An indicator next to each program/cycle lights up as you use the knob to scroll through the list. Press the knob when the indicator next to the desired program/cycle lights up.

4 CONTROL KNOB

Turn the knob to select a program/cycle for your laundry load, change dryness level, set drying time or delay start time, or select Other Options. Press the knob to confirm your selection.

5 OPTIONS

Touch to activate additional dry options or additional features on the dryer before touching the Start/Pause button. Additional dry options or additional features selected after touching the Start/Pause button may not be activated.

To return to factory default cycle settings, unplug the dryer for 30 seconds, then plug back in.

NOTE: Not all options are available with all cycles.

A Cycle Signal

Use to turn on or off the signal indicating the end of a drying cycle.

NOTE: Touch and hold the Cycle Signal button for about one second to turn sounds on or off.

B Control Lock

Use to lock the controls of the dryer and avoid an accidental change in cycle options or preferences during a drying cycle.

Touch and hold CONTROL LOCK to lock or unlock the controls of the dryer.

NOTE: The Control Lock function may be enabled when recovering from a power failure. To unlock the control, touch and hold CONTROL LOCK.

C Steam

Touch to activate the Steam option, which adds humidity to the end of the Heavy Duty, Normal, or Synthetics cycle to help smooth out wrinkles.

D Delay Start

Touch to start your program/cycle at a later time.

6 SETTINGS

A Timed Dry

Sets the length of a Timed Dry cycle.

B Dryness Level

When using some Automatic Cycles, you may select a Dryness Level based on the type of load you are drying.

NOTE: Dryness Level is for use with Automatic Cycles only.

7 OTHER OPTIONS

Save Time

This option provides quicker drying.

Gentle

This option dries laundry more gently by reducing the drying temperature.

Wrinkle Shield™

This option helps to avoid creasing if you cannot unload the laundry soon after the program/cycle ends. The dryer starts to tumble the laundry periodically a few minutes after the program/cycle ends. This tumbling will last up to approximately 12 hours. Tumbling can be stopped any time by touching the Power button to turn off the dryer.

8 START/PAUSE BUTTON

Touch to start, or touch and hold to pause, a program/cycle.

9 LED DISPLAY

When you select a program/cycle, its default settings will light up and the Estimated Time Remaining will be displayed. Factors such as load size and dryness level may affect the time shown in the display.

Symbols



Drying time



Delay start



Conductivity adjustment

STATUS INDICATORS (next to control knob)

These indicators will light up to alert you when certain conditions occur.

Symbols



Water tank full (see “Empty Water Tank” in “Using Your Dryer”)



Clean bottom filter (see “Cleaning the Bottom Filter” in “Dryer Care”)



Clean door filter (see “Cleaning the Lint Screen” in “Dryer Care”)

Program/Cycle Guide – Automatic Cycles

Settings and options shown in **bold** are default settings for that cycle. If settings are changed, the new settings will be remembered. If there is a power failure, settings will return to the default. Not all settings and options are available on each cycle.

Load Size Recommendations

For best results, follow the wet load size recommendations noted for each cycle.



Small load: Fill the dryer drum with 3–4 items, not more than ¼ full.



Large load: Fill the dryer drum up to about ¾ full. Do not pack tightly. Items need to tumble freely.



Medium load: Fill the dryer drum up to about ½ full.

Use Automatic Cycles for better fabric care and energy savings

The dryer senses moisture in the load or air temperature and shuts off when the load reaches the selected dryness level. Use the NORMAL dryness level to provide optimal energy savings.


| Items to Dry: | Cycle: | Dryness Level: | Available Options: | Cycle Details: |
|-----------------------------------------------------------------------------------------------------------------------------------------------------------------------------------------------------|-------------------|-------------------------------------|------------------------------------------------------------------|------------------------------------------------------------------------------------------------------------------------------------------------------------------------------------|
| Mixed laundry made of cotton, linen, or synthetic fibers and blends | Mixed | Dry | Wrinkle Shield™ | Uses Medium heat to dry large loads of mixed fabrics and items. |
| Heavyweight items or heavy work clothes | Heavy Duty | Dry | Steam Wrinkle Shield™ Gentle | Offers stepped drying, starting with High heat followed by Medium heat for enhanced fabric care and energy savings. |
| Work clothes, mixed cottons, corduroys | Normal | Extra Dry Dry Damp Dry | Steam Dryness Level Wrinkle Shield™ Gentle Save Time | Uses Medium heat to dry large loads of cotton or mixed fabrics and items. Tumbling reverses intermittently to redistribute the load for thorough drying. |
| Normally soiled laundry made of artificial fibers or cotton blends | Synthetics | Extra Dry Dry Damp Dry | Steam Dryness Level Wrinkle Shield™ Gentle | Uses lower heat than the Normal cycle. Tumbling reverses intermittently to redistribute the load for thorough drying. |
| Undergarments, blouses, lingerie, performance wear | Delicates | Dry | Wrinkle Shield™ | Uses Extra Low heat to gently dry delicate items. |
| Wool items labelled with the Woolmark logo and identified as machine washable, as well as textiles made of silk (see care label recommendations), linen, wool, and viscose marked as hand-wash only | Wool | Dry | N/A | Uses Low heat to provide a short, finishing touch to items that have been air-dried. |
| Comforters, pillows, sheets | Bulky/ Bedding | Dry | Wrinkle Shield™ | Use for drying large, bulky items; do not overfill dryer drum. Partway through the cycle, the signal will sound to indicate when it is time to rearrange items for optimal drying. |


Program/Cycle Guide – Adjustable Time Cycles


Settings and options shown in **bold** are default settings for that cycle. If settings are changed, the new settings will be remembered. If there is a power failure, settings will return to the default. Not all settings and options are available on each cycle.

Load Size Recommendations

For best results, follow the wet load size recommendations noted for each cycle.

 **Small load:** Fill the dryer drum with 3–4 items, not more than ¼ full.



 **Large load:** Fill the dryer drum up to about ¾ full. Do not pack tightly. Items need to tumble freely.

 **Medium load:** Fill the dryer drum up to about ½ full.

Adjust drying time on Timed Dry Cycles


When you select the Timed Dry or Air Dry cycle, the time appears in the display. Use the knob to set the drying time from 10 to 180 minutes (3 hours).



| Items to Dry: | Cycle: | Available Options: | Cycle Details: |
|-------------------------------------------------------------------------------------|-----------|--------------------|----------------------------------------------------------------------------------------------------------------------------------------------------------------------------------------|
| Any load NOTE: Line dry foam, rubber, plastic, or heat-sensitive fabrics. | Air Dry | Wrinkle Shield™ |  For airing out, refreshing, and loosening up laundry without heating. |
| Any load | Timed Dry | Wrinkle Shield™ |  Use to dry items with low heat to a damp level for items that do not require an entire drying cycle. |

Program/Cycle Guide – Refresh Cycle

The Refresh cycle is designed for use with dry loads to loosen wrinkles, reduce odors, and refresh fabrics.

| Items to Refresh: | Cycle: | Available Options: | Cycle Details: |
|-----------------------------|---------|--------------------|----------------------------------------------------------------------------------------------------------------------------------------------------------------------------------------------------------------------------------------------|
| Shirts, blouses, and slacks | Refresh | Dry |  Use to reduce odors and light wrinkles. Do not add dryer sheets. Before loading laundry into the drum, spray it with a maximum of 6.8 oz (200 ml) water. |

Using Your Dryer

⚠️ WARNING



Explosion Hazard

Keep flammable materials and vapors, such as gasoline, away from dryer.

Do not dry anything that has ever had anything flammable on it (even after washing).

Failure to follow these instructions can result in death, explosion, or fire.

WARNING: To reduce the risk of fire, electric shock, or injury to persons, read the IMPORTANT SAFETY INSTRUCTIONS before operating this appliance.

⚠️ WARNING



Fire Hazard

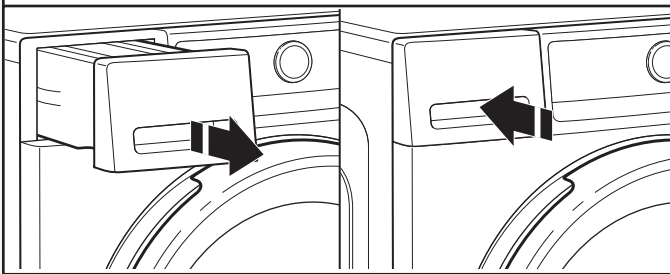
No washer can completely remove oil.

Do not dry anything that has ever had any type of oil on it (including cooking oils).

Do not dry items containing foam, rubber, or plastic in this dryer.

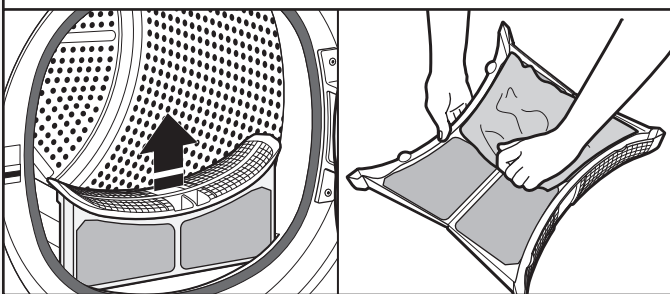
Failure to follow these instructions can result in death or fire.

1. Empty water tank



Hold the handle and carefully pull out the water tank. Holding the full water tank with both hands, empty out the water. Then push the container back into place. Make sure that it is properly inserted.

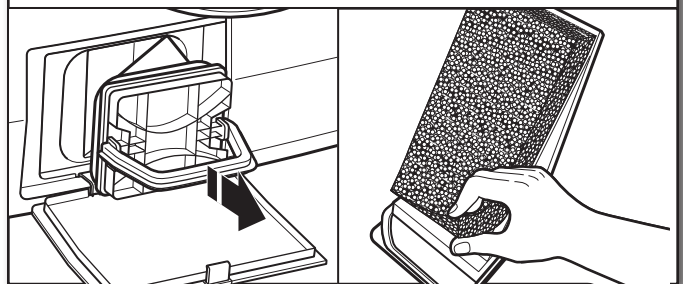
2. Clean door lint screen



Clean the lint screen before each load. Pull the lint screen straight up and out. Press tab down and open lint screen. Roll lint off the screen with your fingers. Push the lint screen firmly back into place.

IMPORTANT: Clean lint screen before each dryer use as a screen blocked with lint will increase drying time.

3. Clean bottom filter

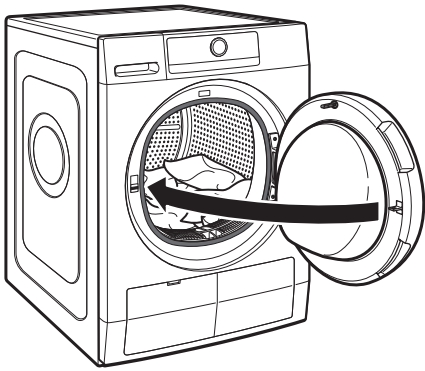


Clean the bottom filter after every 5 cycles. Open the filter door on the bottom of the dryer and grab the handle to pull out filter. Remove the foam from the bottom filter. Clean the filter foam and filter by hand or rinse with water – do not wash the filter foam in a washer. Wring out the filter foam – do not insert it in the bottom filter dripping wet. For additional cleaning information, see “Dryer Care.”

Replace the filter foam on the bottom filter. Replace the bottom filter in the filter chamber. Fold the filter handle down and close the bottom door.

NOTE: To turn off the “Clean bottom filter” (🔴) status indicator, the filter must be removed and replaced with the Power button touched ON and no cycle running.

4. Load dryer



Open the door by pulling on the handle. Place laundry in the dryer. Add a dryer sheet to wet load if desired. Close the door.

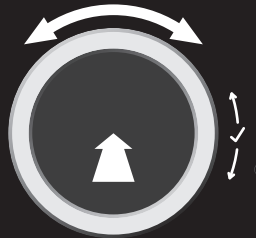
IMPORTANT: Do not tightly pack the dryer. Items need to tumble freely. Tightly packing can lead to poor drying performance and may increase wrinkling and tangling.

5. Touch Power button to turn on dryer



6. Select program/cycle

Mixed Wool
Heavy Duty Bulky/Bedding
Normal Air Dry
Synthetics Refresh
Delicates Timed Dry



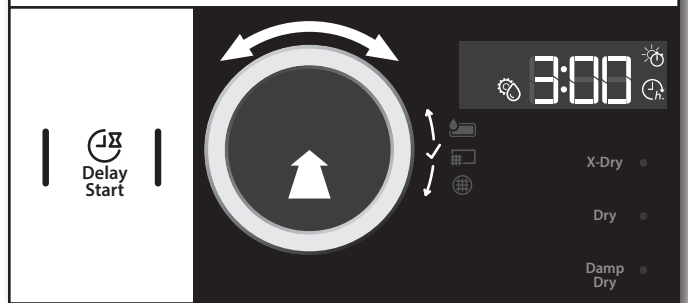
Turn the knob to select a program/cycle for your laundry load. As you turn the knob, an indicator light will light up next to the program/cycle names to the left of the knob. Stop turning when the indicator next to the desired program/cycle lights up. Press the knob to confirm your selection.

See "Program/Cycle Guide" for details on program/cycle features.

7. Select options, if desired



8. Setting a delayed start, if desired



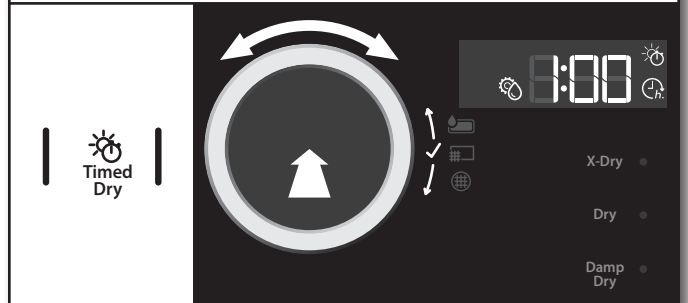
If you do not want to begin a cycle immediately, you may choose the Delay Start option. This will delay the start of the drying cycle by up to 23 hours.

To set a Delayed Start:

1. Touch the Delay Start button to set the desired delay time.
2. Turn the knob to the number of hours you want to delay the start of the drying cycle. The delay time will appear on the display. Press the knob to confirm your selection.

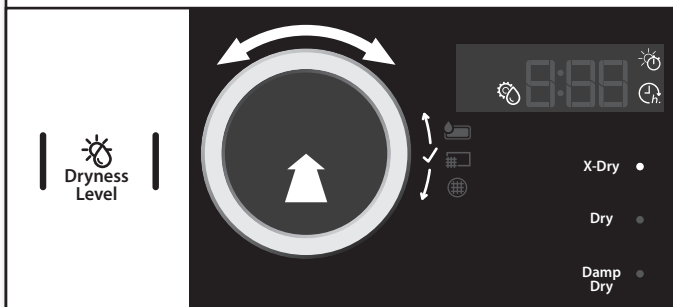
After touching the Start/Pause button, the time will count down until the delay time has been reached. The dryer will start and the display will show the remaining time in the cycle.

9. If Air Dry or Timed Dry was selected, set drying time



When you select a timed cycle, the indicator light above "Timed Dry" lights up. Turn the knob to select the desired time, up to 180 minutes. Press the knob to confirm your selection.

10. If an automatic cycle was selected, set dryness level



When you select an automatic cycle, the indicator light above “Dryness Level” lights up. Turn the knob to select the desired level. As you turn the knob, an indicator light will light up next to the dryness levels to the right of the knob. Stop turning when the indicator next to the desired level lights up. Press the knob to confirm your selection.

11. Select any additional options*



After setting drying time or dryness level, the indicator light above “Options” lights up. Turn the knob to select the desired option(s). As you turn the knob, the option symbols above the Options button will light up one at a time as you turn the knob. Stop turning when the symbol of the desired option lights up. Press the knob to confirm your selection.

*Not all options and settings are available with all program/cycles. See “Program/Cycle Guide” for available options and settings.

12. Touch Start/Pause button to begin drying program/cycle



Touch the Start/Pause button to start the drying program/cycle. To pause a program/cycle in progress, touch the Start/Pause button once, then touch again to continue the program/cycle. To cancel a program/cycle, touch the Power button.

13. Touch Power button to turn off dryer after program/cycle ends



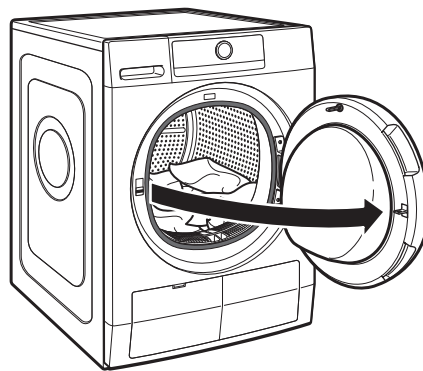
When the display indicates that the cycle has finished, touch the Power button to turn off the dryer. Open the door and take out your laundry.

To save energy, the dryer turns off automatically about a quarter hour after the program/cycle ends.

If not turned off right after the program/cycle ends, the dryer will tumble the laundry for about 10 minutes to prevent wrinkling. The display shows an animation.

NOTE: If the Power button is touched and held, a countdown will be displayed. At the end of the countdown, any errors will be erased and the program/cycle will restart.

14. Remove garments promptly after cycle is finished



Promptly remove garments after cycle has completed to reduce wrinkling.

Adapting the dryer to water conductivity

The drying results are affected by the conductivity of the water used during washing. If, by modifying the available dryness levels (damp dry, dry, and extra dry), you are not satisfied with the final drying results, you can adapt the water conductivity level. The dryer comes with preset level 3. Choose between level 1 (most damp results) and 5 (most dry results).

1. Touch and hold the Program button. The display will count down until the Conductivity Adjustment symbol on the display flashes and the current setting is shown.
2. Turn the knob to adjust the level (1-2-3-4-5). Press the knob to confirm your selection.



NOTE: This new setting will affect all future cycles. If the desired drying results are attained, water conductivity will not require further adjustment.

Dryer Care

CLEANING THE DRYER LOCATION

Keep dryer area clear and free from items that would block the airflow for proper dryer operation. This includes clearing piles of laundry in front of the dryer.

⚠️ WARNING



Explosion Hazard

Keep flammable materials and vapors, such as gasoline, away from dryer.

Place dryer at least 18 inches (460 mm) above the floor for a garage installation.

Failure to do so can result in death, explosion, or fire.

CLEANING THE DRYER INTERIOR

To clean dryer drum:

1. Use a mild hand dish detergent mixed at a low concentration with very warm water, and rub with a soft cloth.
2. Rinse well with a wet sponge or towel.
3. Tumble a load of clean clothes or towels to dry drum
OR
Use a microfiber cloth and hot water in a spray bottle to clean the drum and a second microfiber towel to dry.

REMOVING ACCUMULATED LINT

From Inside the Dryer Cabinet

Lint should be removed every 2 years, or more often, depending on dryer usage. Cleaning should be done by a qualified appliance servicer.

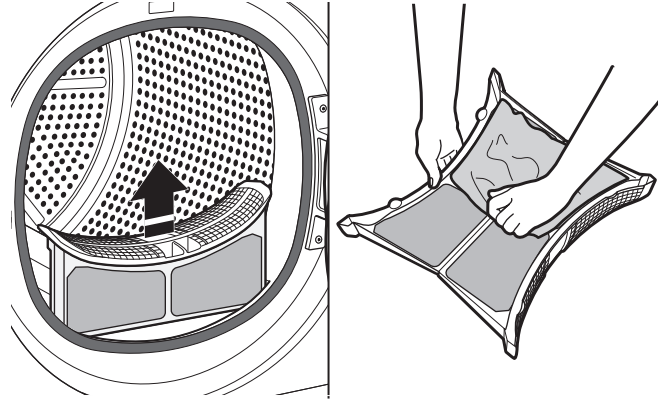
CLEANING THE LINT SCREEN

Clean lint screen after every load.

The lint screen is located in the door opening of the dryer. A screen blocked by lint can increase drying time.

To clean:

1. Pull the lint screen straight up and out. Press tab down and open lint screen. Roll lint off the screen with your fingers.



2. Push the lint screen firmly back into place.

IMPORTANT:

- Do not run the dryer with the lint screen loose, damaged, blocked, or missing. Doing so can cause overheating and damage to both the dryer and fabrics.

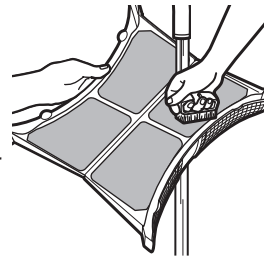
As-needed cleaning

Laundry detergent and fabric softener residue can build up on the lint screen. This buildup can cause longer drying times for your clothes, or cause the dryer to stop before your load is completely dry.

Clean the lint screen with a nylon brush every 6 months, or more frequently, if it becomes clogged due to a residue buildup.

To wash lint screen:

1. Roll lint off the screen with your fingers.
2. Wet both sides of lint screen with hot water.
3. Wet a nylon brush with hot water and liquid detergent. Scrub lint screen with the brush to remove residue buildup.
4. Rinse screen with hot water.
5. Thoroughly dry lint screen with a clean towel. Reinstall screen in dryer.

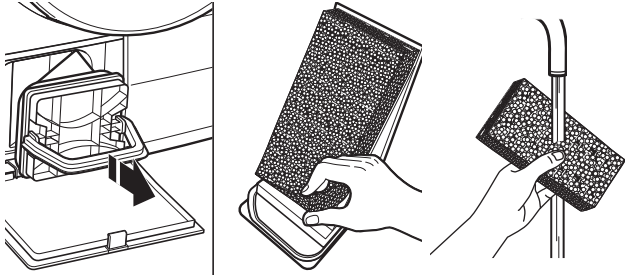


CLEANING THE BOTTOM FILTER

Clean bottom filter after every 5 loads.

The filter is located in bottom corner of dryer.

1. Open the filter door on the bottom of the dryer and grab the handle to pull out the filter. Remove the foam from the bottom filter. Clean the filter foam and the filter by hand or rinse with water – do not wash the filter foam in a washer. Wring out the filter foam – do not insert it in the bottom filter dripping wet.



2. Replace the filter foam on the bottom filter. Replace the bottom filter in the filter chamber. Fold the filter handle down and close the bottom door.

IMPORTANT:

- Do not run the dryer with the filter loose, damaged, blocked, or missing. Doing so can cause overheating and damage to both the dryer and fabrics.

⚠ WARNING



Electrical Shock Hazard

Disconnect power before servicing.

Replace all parts and panels before operating.

Failure to do so can result in death or electrical shock.

NON-USE, STORAGE, AND MOVING CARE (cont.)

For direct-wired dryers:

1. Empty water tank.
2. Disconnect power.
3. Disconnect wiring.
4. Make sure leveling legs are secure in dryer base.
5. Use tape to secure dryer door.

Reinstalling the Dryer

Follow the "Installation Instructions" section to locate, level, and connect the dryer.

NON-USE, STORAGE, AND MOVING CARE

Non-Use or Storage Care

If you will be on vacation or not using your dryer for an extended period of time, you should:

1. Empty water tank.
2. Unplug dryer or disconnect power.
3. Clean lint screen. See "Cleaning the Lint Screen."
4. In colder climates, store your dryer where it will not freeze. Because some water may stay in the hose, freezing can damage your dryer.

Moving Care

For power supply cord-connected dryers:

1. Empty water tank.
2. Unplug the power supply cord.
3. Make sure leveling legs are secure in dryer base.
4. Use tape to secure dryer door.

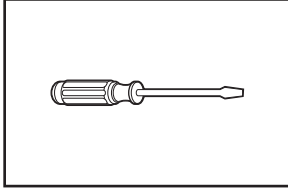
INSTALLATION INSTRUCTIONS

Installation Requirements

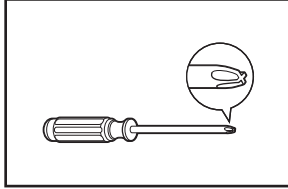
TOOLS AND PARTS

Gather the required tools and parts before starting installation.

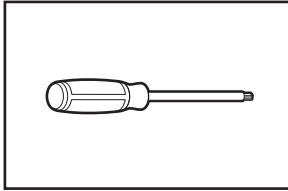
Tools needed:



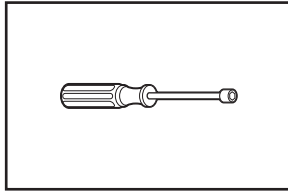
Flat-blade screwdriver



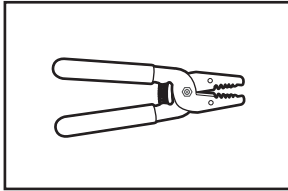
#2 Phillips screwdriver



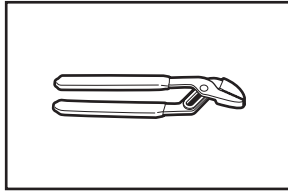
Min. 8" long TORX® T20† screwdriver



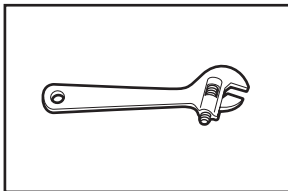
1/4" and 5/16" nut driver (recommended)



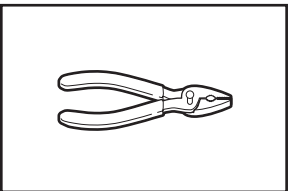
Wire stripper (direct wire installations)



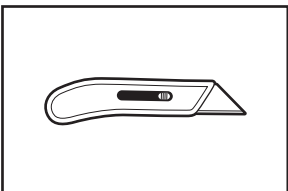
Channel locks



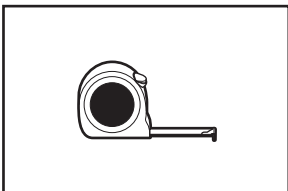
Adjustable wrench that opens to 1" (25 mm) or hex-head socket wrench



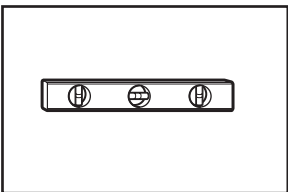
Pliers



Utility knife



Tape measure



Level

If using a power supply cord:

Use a UL-listed power supply cord kit marked for use with clothes dryers. The kit should contain:

- A UL-listed 30-amp power supply cord, rated 120-/240-volt minimum. The cord should be type SRD or SRDT and be at least 4 ft. (1.22 m) long. The wires that connect to the dryer must end in ring terminals or spade terminals with upturned ends.


Additional Accessories: (Not supplied with dryer)
Refer to "Operating Instructions" for information about accessories available for your dryer.

†® TORX and T20 are registered trademarks of Acument Intellectual Properties, LLC.

Location Requirements

Check code requirements. Some codes limit, or do not permit, installing dryer in garages, closets, mobile homes, or sleeping quarters. Contact your local building inspector.

⚠ WARNING



Explosion Hazard

Keep flammable materials and vapors, such as gasoline, away from dryer.

Place dryer at least 18 inches (460 mm) above the floor for a garage installation.

Failure to do so can result in death, explosion, or fire.

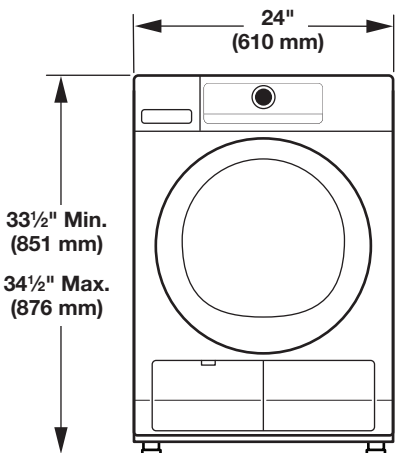
You will need:

- A separate 30-amp circuit.
- If using power supply cord, a grounded electrical outlet located within 2 ft. (610 mm) of either side of dryer. See "Electrical Requirements."
- Floor must support dryer weight of 200 lbs. (90.7 kg). Also consider weight of companion appliance.
- Level floor with maximum slope of 1" (25 mm) under entire dryer. If forward slope is greater than 1" (25 mm), water could run out from front of filter. If not level, clothes may not tumble properly and automatic sensor cycles may not operate correctly.
- For garage installation, place dryer at least 18" (460 mm) above floor. If using a pedestal, you will need 18" (460 mm) to bottom of dryer.

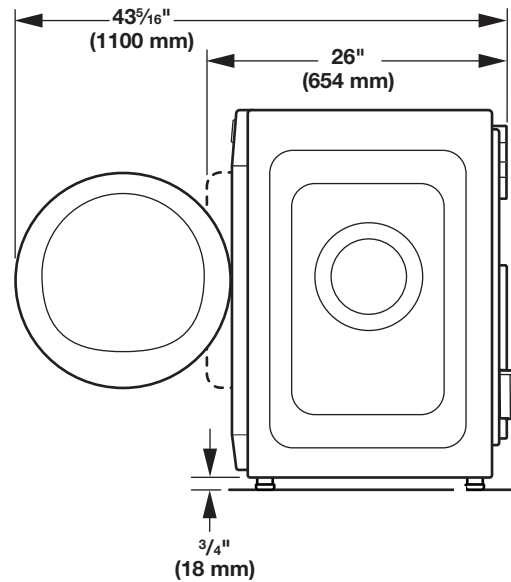
IMPORTANT: Do not operate, install, or store dryer where it will be exposed to water, weather, or at temperatures below 40°F (4°C). Lower temperatures may cause dryer not to shut off at end of automatic sensor cycles, resulting in longer drying times.

DRYER DIMENSIONS

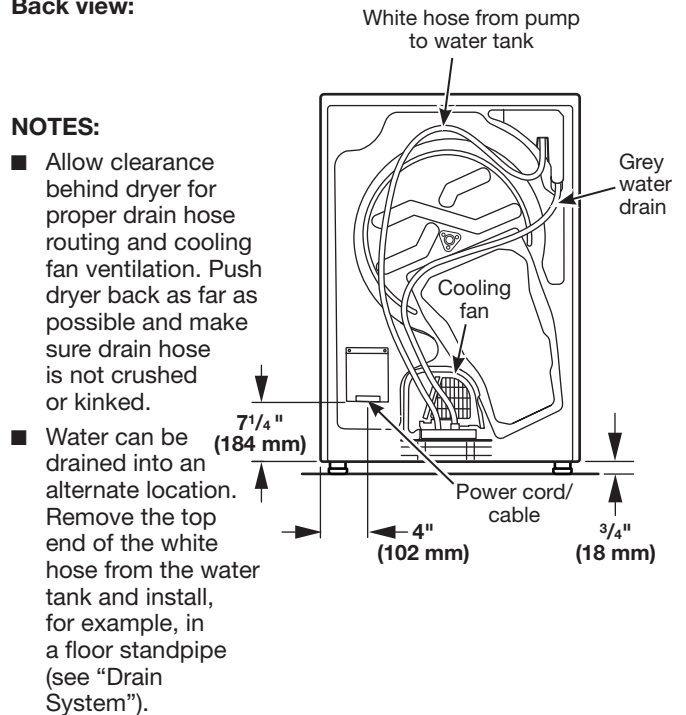
Front view:



Side view:



Back view:



NOTES:

- Allow clearance behind dryer for proper drain hose routing and cooling fan ventilation. Push dryer back as far as possible and make sure drain hose is not crushed or kinked.
- Water can be drained into an alternate location. Remove the top end of the white hose from the water tank and install, for example, in a floor standpipe (see "Drain System").

IMPORTANT: Do not block cooling fan as your dryer may not operate properly.

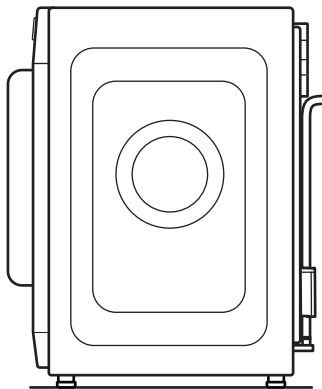
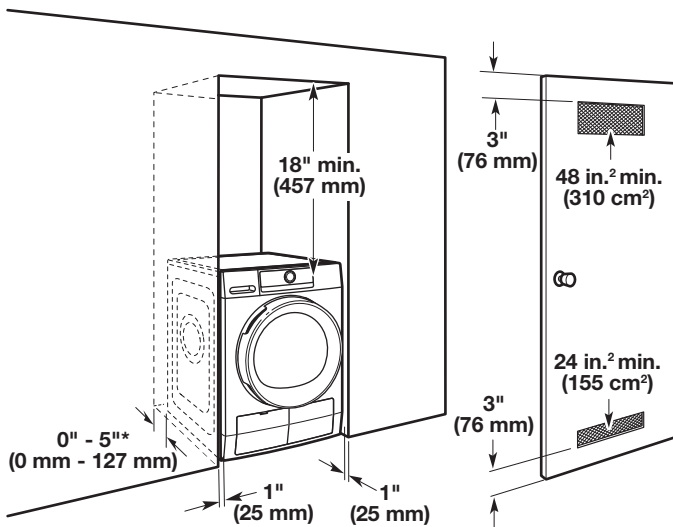


Installation spacing for recessed area or closet installation

All dimensions show recommended and minimum spacing allowed.

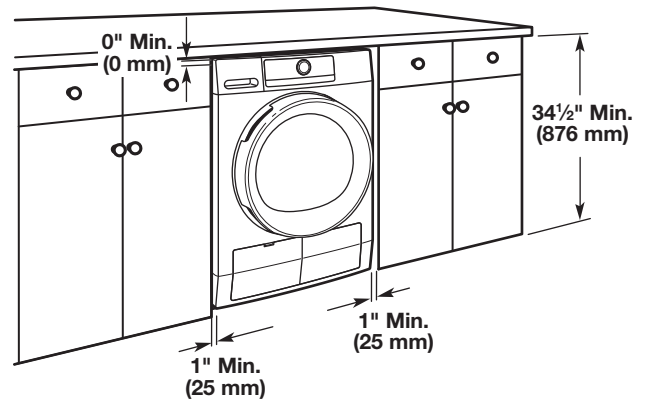
- Additional spacing should be considered for ease of installation and servicing.
- Additional clearances might be required for wall, door, floor, moldings, and drain system.
- Additional spacing should be considered on all sides of the dryer to reduce noise transfer.
- For closet installation with a door, minimum ventilation openings in the top and bottom of the door are required. Louvered doors with equivalent ventilation openings are acceptable.
- Companion appliance spacing should also be considered.

Recommended installation clearances (dryer only):



***NOTE:** 0"-5" (0 mm-127 mm) spacing is allowed behind dryer, providing drain hose is not kinked or pinched.

Custom under-counter installation:



Mobile home – Additional installation requirements:

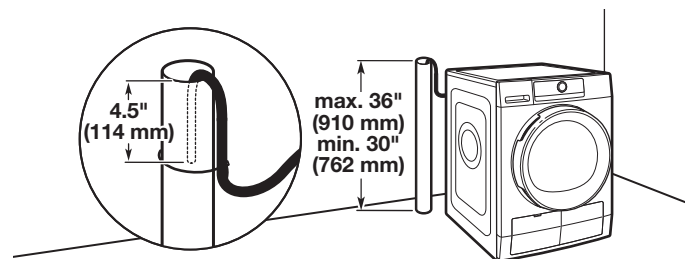
This dryer is suitable for mobile home installations. The installation must conform to the Manufactured Home Construction and Safety Standard, Title 24 CFR, Part 3280 (formerly the Federal Standard for Mobile home construction and Safety, Title 24, HUD Part 280) or Standard CAN/CSA-Z240 MH.

Drain System

Drain system can be installed by routing the white hose to a floor drain, wall standpipe, floor standpipe, or laundry tub instead of to the water tank. Select the method you need.

IMPORTANT: To avoid siphoning, only 4.5" (114 mm) of drain hose should be inside standpipe; do not force excess hose into standpipe. Always secure drain hose with a cable tie (not supplied).

Floor standpipe drain system



Minimum diameter for a standpipe drain: 2" (51 mm). Top of standpipe must be at least 30" (762 mm) high; install no higher than 36" (910 mm) from bottom of dryer.

Electrical Requirements – U.S.A. Only

It is your responsibility:

- To contact a qualified electrical installer.
- To be sure that the electrical connection is adequate and in conformance with the National Electrical Code, ANSI/NFPA 70 – latest edition and all local codes and ordinances.

The National Electrical Code requires a 4-wire power supply connection for homes built after 1996, dryer circuits involved in remodeling after 1996, and all mobile home installations.

A copy of the above code standards can be obtained from: National Fire Protection Association, One Batterymarch Park, Quincy, MA 02269.

- To supply the required 3- or 4-wire, single-phase, 120-/240-volt, 60 Hz, AC-only electrical supply (or 3- or 4-wire, 120/208-volt electrical supply, if specified on the serial/rating plate) on a separate 30-amp circuit, fused on both sides of the line. Connect to an individual branch circuit. Do not have a fuse in the neutral or grounding circuit.
- Do not use an extension cord.
- If codes permit and a separate ground wire is used, it is recommended that a qualified electrician determine that the ground path is adequate.

Electrical Connection

To properly install your dryer, you must determine the type of electrical connection you will be using and follow the instructions provided for it here.

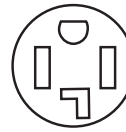
- This dryer is manufactured ready to install with a 3-wire electrical supply connection. A neutral ground conductor (white wire) is provided between the power supply neutral connection (center terminal) and the dryer external grounding point (green screw). If the dryer is installed with a 4-wire electrical supply connection, one end of the neutral ground conductor must be removed from the external ground connector (green screw), and secured under the neutral terminal (center screw) of the terminal block. When both ends of the neutral ground conductor are secured under the neutral terminal (center or white wire) of the terminal block, the dryer cabinet is isolated from the neutral conductor. The green ground wire of the 4-wire power cord must be secured to the dryer cabinet with the green ground screw.
- If local codes do not permit the connection of a neutral ground wire to the neutral wire, see “Optional External Ground 3-wire connection”.
- A 4-wire power supply connection must be used when the appliance is installed in a location where grounding through the neutral conductor is prohibited. Grounding through the neutral is prohibited for (1) new branch-circuit installations after 1996, (2) mobile homes, (3) recreational vehicles, and (4) areas where local codes prohibit grounding through the neutral conductors.

If using a power supply cord:

Use a UL-listed power supply cord kit marked for use with clothes dryers. The kit should contain:

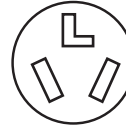
- A UL-listed 30-amp power supply cord, rated 120/240-volt minimum. The cord should be type SRD or SRDT and be at least 4 ft. (1.22 m) long. The wires that connect to the dryer must end in ring terminals or spade terminals with upturned ends.

If your outlet looks like this:



4-wire receptacle (14-30R)

Then choose a 4-wire power supply cord with ring or spade terminals and UL-listed strain relief. The 4-wire power supply cord, at least 4 ft. (1.22 m) long, must have four 10-gauge copper wires and match a 4-wire receptacle of NEMA-Type 14-30R. The ground wire (ground conductor) may be either green or bare. The neutral conductor must be identified by a white cover.



3-wire receptacle (10-30R)

Then choose a 3-wire power supply cord with ring or spade terminals and UL-listed strain relief. The 3-wire power supply cord, at least 4 ft. (1.22 m) long, must have three 10-gauge copper wires and match a 3-wire receptacle of NEMA-Type 10-30R.

If connecting by direct wire:

Power supply cable must match power supply (4-wire or 3-wire) and be:

- Flexible armored cable or nonmetallic sheathed copper cable (with ground wire), covered with flexible metallic conduit. All current-carrying wires must be insulated.
- 10-gauge solid copper wire (do not use aluminum) at least 5 ft. (1.52 m) long.

GROUNDING INSTRUCTIONS

- For a grounded, cord-connected dryer:
This dryer must be grounded. In the event of malfunction or breakdown, grounding will reduce the risk of electric shock by providing a path of least resistance for electric current. This dryer uses a cord having an equipment-grounding conductor and a grounding plug. The plug must be plugged into an appropriate outlet that is properly installed and grounded in accordance with all local codes and ordinances.
- For a permanently connected dryer:
This dryer must be connected to a grounded metal, permanent wiring system, or an equipment-grounding conductor must be run with the circuit conductors and connected to the equipment-grounding terminal or lead on the dryer.

WARNING: Improper connection of the equipment-grounding conductor can result in a risk of electric shock. Check with a qualified electrician or service representative or personnel if you are in doubt as to whether the dryer is properly grounded. Do not modify the plug on the power supply cord: if it will not fit the outlet, have a proper outlet installed by a qualified electrician.

SAVE THESE INSTRUCTIONS

Electric Dryer Power Hookup – Canada Only

Electrical Requirements

WARNING



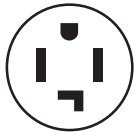
Electrical Shock Hazard

Plug into a grounded 4 prong outlet.

Failure to do so can result in death or electrical shock.

It is your responsibility:

- To contact a qualified electrical installer.
- To be sure that the electrical connection is adequate and in conformance with the Canadian Electrical Code, C22.1 – latest edition and all local codes. A copy of the above codes standard may be obtained from: Canadian Standards Association, 178 Rexdale Blvd., Toronto, ON M9W 1R3 CANADA.
- To supply the required 4-wire, single-phase, 120/240-volt, 60 Hz., AC-only electrical supply on a separate 30-amp circuit, fused on both sides of the line. A time-delay fuse or circuit breaker is recommended. Connect to an individual branch circuit.
- This dryer is equipped with a CSA International Certified Power Cord intended to be plugged into a standard 14-30R wall receptacle. The cord is 5 ft. (1.52 m) in length. Be sure wall receptacle is within reach of dryer's final location.
- Do not use an extension cord.



4-wire receptacle (14-30R)

If using a replacement power supply cord, it is recommended that you use Power Supply Cord Replacement Part Number 8579325. For further information, please reference the "Assistance or Service" section.

GROUNDING INSTRUCTIONS

- For a grounded, cord-connected dryer:
This dryer must be grounded. In the event of malfunction or breakdown, grounding will reduce the risk of electric shock by providing a path of least resistance for electric current. This dryer is equipped with a cord having an equipment-grounding conductor and a grounding plug. The plug must be plugged into an appropriate outlet that is properly installed and grounded in accordance with all local codes and ordinances.

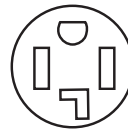
WARNING: Improper connection of the equipment-grounding conductor can result in a risk of electric shock. Check with a qualified electrician or service representative or personnel if you are in doubt as to whether the dryer is properly grounded. Do not modify the plug provided with the dryer: if it will not fit the outlet, have a proper outlet installed by a qualified electrician.

SAVE THESE INSTRUCTIONS

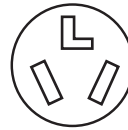
Electric Installation – U.S.A. Only

Before you start: disconnect power.

1. Choose electrical connection type



Power supply cord 4-wire receptacle (NEMA-Type 14-30R):
Go to "Power Supply Cord Connection."



Power supply cord 3-wire receptacle (NEMA Type 10-30R):
Go to "Power Supply Cord Connection."



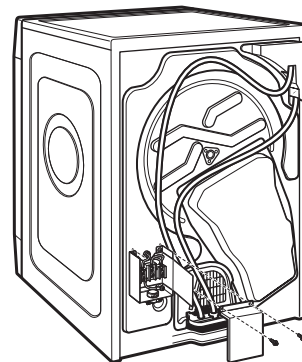
4-wire direct connection:
Go to "Direct Wire Connection."



3-wire direct connection:
Go to "Direct Wire Connection."

NOTE: If local codes do not permit connection of a cabinet-ground conductor to neutral wire, go to "Optional External Ground for 3-Wire Connection." This connection can be used with either a power supply cord or a direct wire connection.

2. Remove terminal block cover



Remove hold-down screws and terminal block cover.

Power Supply Cord Connection

⚠ WARNING



Fire Hazard

Use a new UL listed 30 amp power supply cord.

Use a UL listed strain relief.

Disconnect power before making electrical connections.

Connect neutral wire (white or center wire) to center terminal.

Ground wire (green or bare wire) must be connected to green ground connector.

Connect remaining 2 supply wires to remaining 2 terminals.

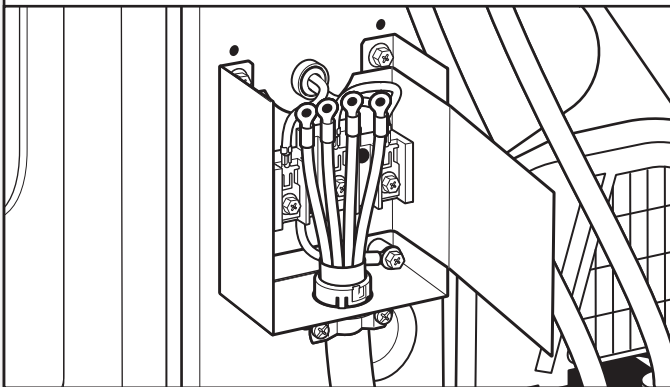
Securely tighten all electrical connections.

Failure to do so can result in death, fire, or electrical shock.

4-Wire Power Supply Cord Strain Relief:

IMPORTANT: Use the strain relief supplied with the dryer.

Attach power supply cord to strain relief



Put power supply cord through the strain relief. Be sure that the wire insulation on the power supply cord is inside the strain relief. Do not further tighten strain relief screws at this point.

If your outlet looks like this:



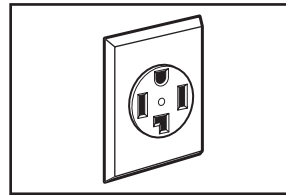
Power supply cord 4-wire receptacle (NEMA-Type 14-30R):
Go to "4-Wire Power Supply Cord Connection."



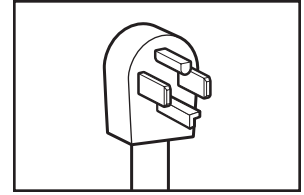
Power supply cord 3-wire receptacle (NEMA-Type 10-30R):
Go to "3-Wire Power Supply Cord Connection."

4-Wire Power Supply Cord Connection

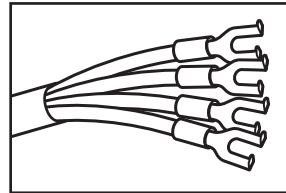
IMPORTANT: A 4-wire connection is required for mobile homes and where local codes do not permit the use of 3-wire connections.



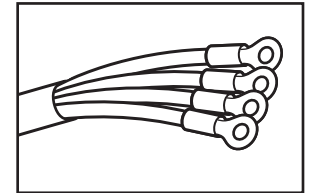
4-wire receptacle (NEMA-type 14-30R)



4 prong plug

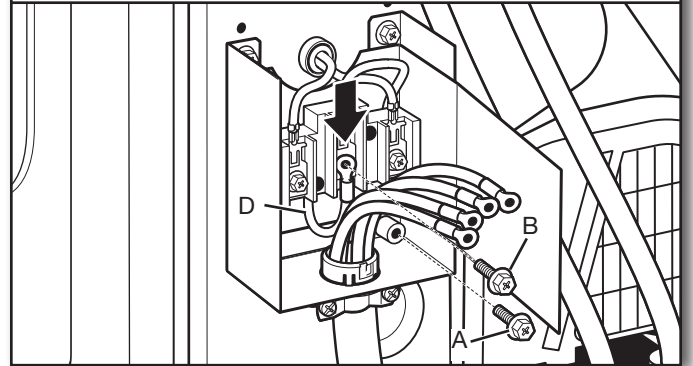


Spade terminals with upturned ends



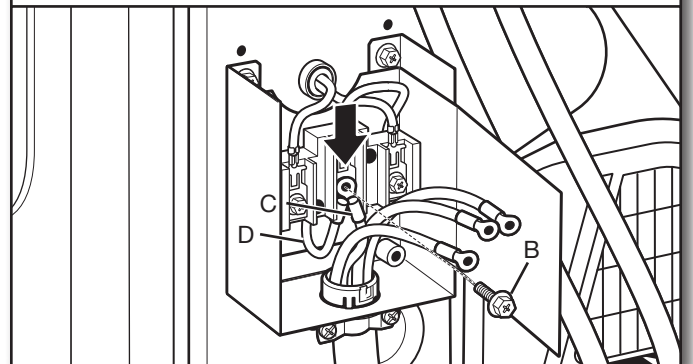
Ring terminals

1. Prepare to connect neutral wire



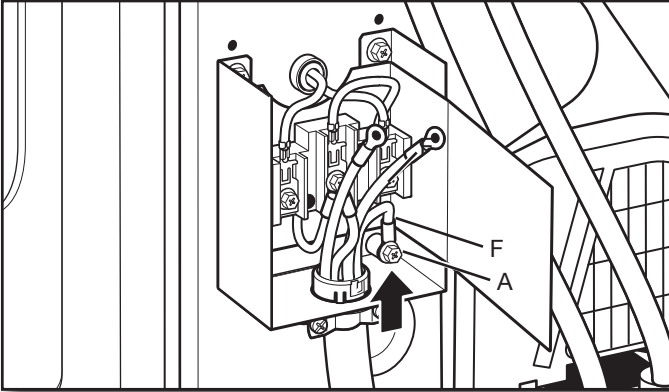
Remove center terminal block screw (B) and green external ground conductor screw (A). Loop neutral bonding wire (white) (D) to center terminal block.

2. Connect neutral wire



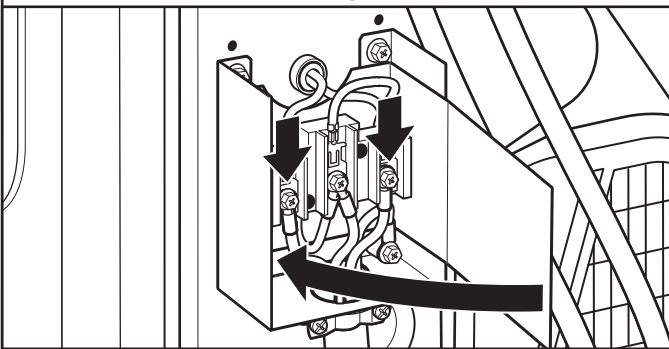
Connect neutral wire (white or center) (C) of power supply cord under center terminal block screw (B). Make sure the end of neutral bonding wire (white) (D) looped in Step 1 remains on the center terminal when the power supply cord neutral wire is attached. Tighten screw.

3. Connect ground wire



Connect ground wire (F) (green or bare) of power supply cord under green external ground conductor screw (A). Tighten screw.

4. Connect remaining wires

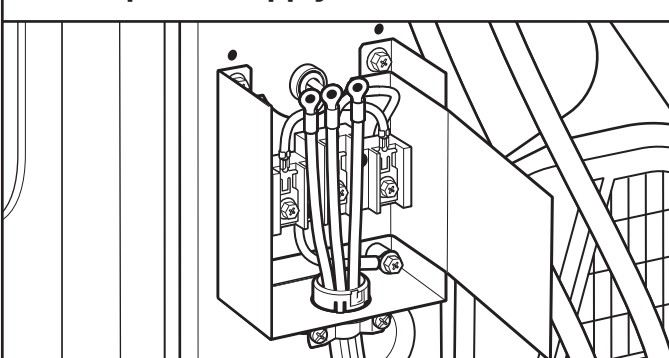


Connect remaining wires under outer terminal block screws. Tighten screws, tighten strain relief screws, and fold insulator over terminal block. Finally, reinsert tab of terminal block cover into slot at bottom edge of terminal block housing. Secure cover with the 2 hold-down screws. Now, go to "Level Dryer."

3-Wire Power Supply Cord Strain Relief:

IMPORTANT: Use the strain relief supplied with the dryer.

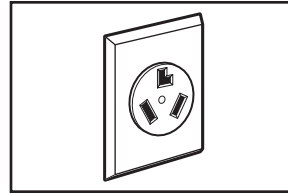
Attach power supply cord to strain relief



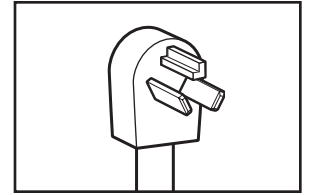
Put power supply cord through the strain relief. Be sure that the wire insulation on the power supply cord is inside the strain relief. Do not further tighten strain relief screws at this point.

3-Wire Power Supply Cord Connection

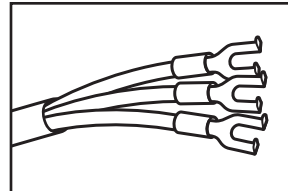
Use where local codes permit connecting cabinet-ground conductor to neutral wire.



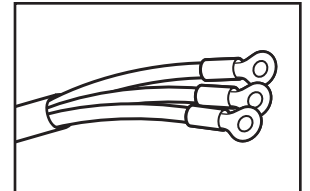
3-wire receptacle (NEMA-type 10-30R)



3 prong plug

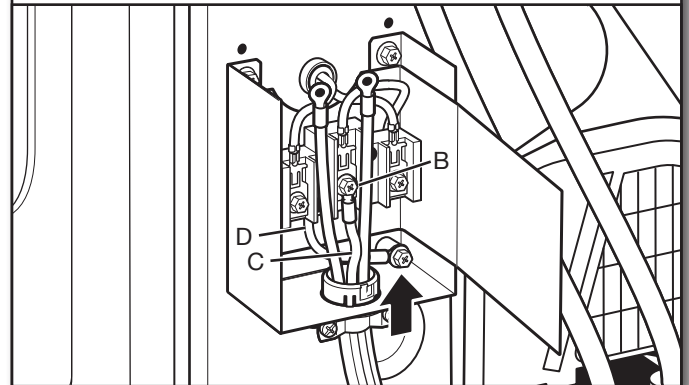


Spade terminals with upturned ends



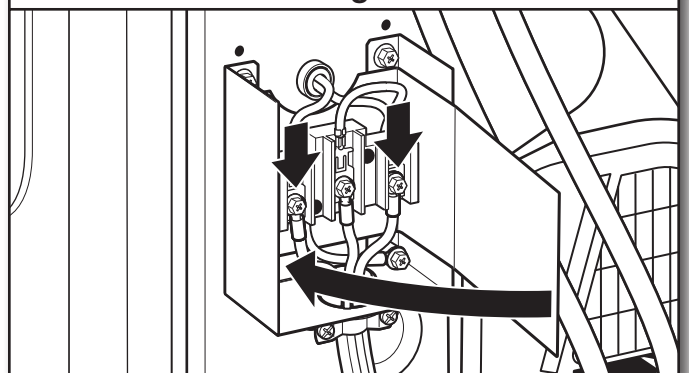
Ring terminals

1. Connect neutral (center) wire



Connect neutral (center) wire (C) of power supply cord under center terminal block screw (B). Tighten screw.

2. Connect remaining wires



Connect remaining wires under outer terminal block screws. Tighten screws, tighten strain relief screws, and fold insulator over terminal block. Finally, reinsert tab of terminal block cover into slot at bottom edge of terminal block housing. Secure cover with the 2 hold-down screws. Now, go to "Level Dryer."

Direct Wire Connection

⚠ WARNING



Fire Hazard

Use 10 gauge copper wire.

Use a UL listed strain relief.

Disconnect power before making electrical connections.

Connect neutral wire (white or center wire) to center terminal.

Ground wire (green or bare wire) must be connected to green ground connector.

Connect remaining 2 supply wires to remaining 2 terminals.

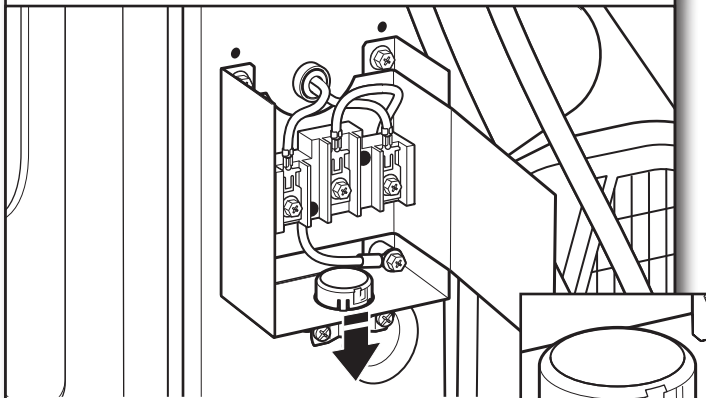
Securely tighten all electrical connections.

Failure to do so can result in death, fire, or electrical shock.

Direct Wire Strain Relief

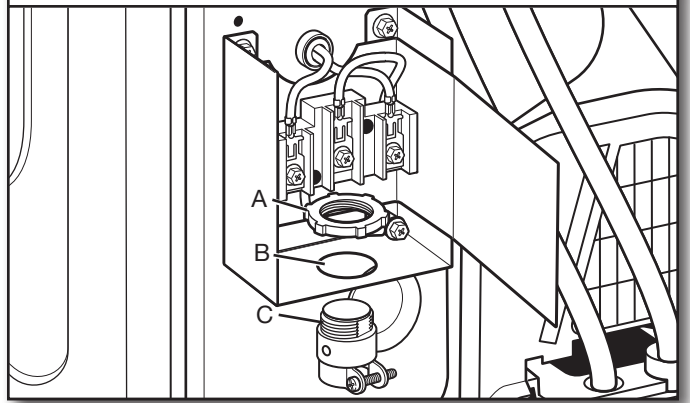
IMPORTANT: Use a conduit strain relief (not supplied).

1. Remove existing strain relief



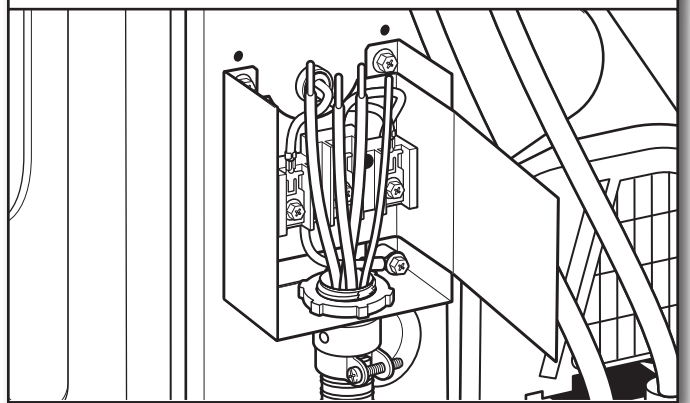
With a flat-blade screwdriver, flatten the three tabs on the band at the top of the strain relief. Pull out strain relief.

2. Attach direct wire strain relief



Unscrew the removable conduit connector (A) and any screws from a 3/4" (19 mm) UL-listed strain relief (UL marking on strain relief). Put the threaded section of the strain relief (C) through the hole below the terminal block opening (B). Reaching inside the terminal block opening, screw the removable conduit connector (A) onto the strain relief threads, and tighten securely.

3. Attach direct wire cable to strain relief



Put direct wire cable through the strain relief. The strain relief should have a tight fit with the dryer cabinet and be in a vertical position. Tighten strain relief screw against the direct wire cable.

If your wiring looks like this:



4-wire direct connection:
Go to "4-Wire Direct Wire Connection."

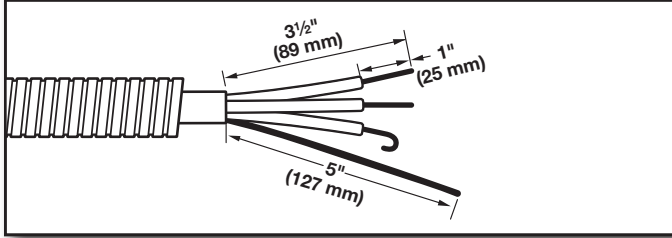


3-wire direct connection:
Go to "3-Wire Direct Wire Connection."

4-Wire Direct Wire Connection

IMPORTANT: A 4-wire connection is required for mobile homes and where local codes do not permit 3-wire connections.

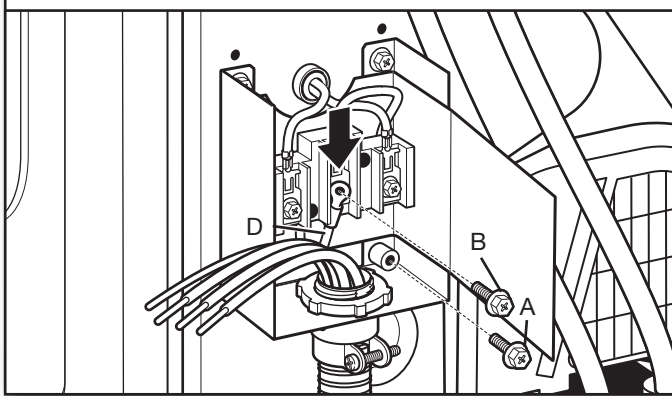
1. Prepare your 4-wire cable for direct connection



Direct wire cable must have 5 ft. (1.52 m) of extra length so dryer may be moved if needed.

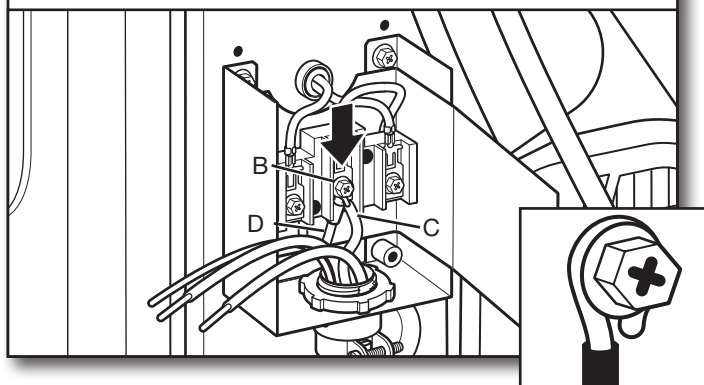
Strip 5" (127 mm) of outer covering from end of cable, leaving bare ground wire at 5" (127 mm). Cut 1 1/2" (38 mm) from remaining 3 wires. Strip insulation back 1" (25 mm). Shape ends of wires into hooks.

2. Prepare to connect neutral wire



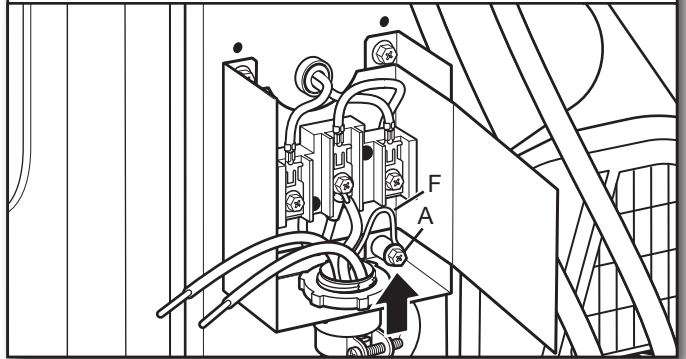
Remove center terminal block screw (B) and green external ground conductor screw (A). Loop neutral bonding wire (white) (D) to center terminal block.

3. Connect neutral wire



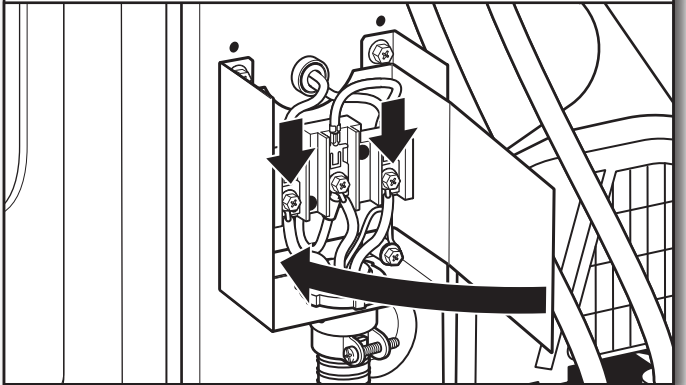
Place hooked end (hook facing right) of neutral wire (white or center wire) (C) of direct wire cable under center screw of terminal block (B). Squeeze hooked ends together. Make sure the end of neutral bonding wire (white) (D) looped in Step 2 remains on the center terminal when the direct wire cable neutral wire is attached. Tighten screw.

4. Connect ground wire



Connect ground wire (green or bare) (F) of direct wire cable under green external ground conductor screw (A). Tighten screw.

5. Connect remaining wires

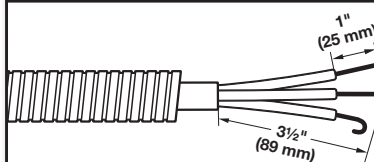


Place hooked ends of remaining direct wire cable wires under outer terminal block screws (hooks facing right). Squeeze hooked ends together, tighten screws, tighten strain relief screws, and fold insulator over terminal block. Finally, reinsert tab of terminal block cover into slot at bottom edge of terminal block housing. Secure cover with the 2 hold-down screws. Now, go to "Level Dryer."

3-Wire Direct Wire Connection

Use where local codes permit connecting cabinet-ground conductor to neutral wire.

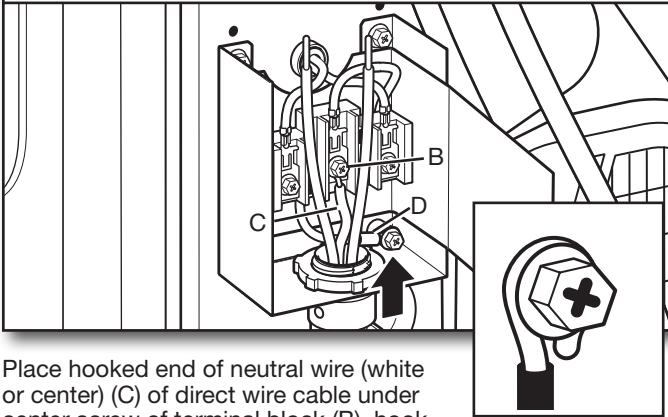
1. Prepare your 3-wire cable for direct connection



Direct wire cable must have 5 ft. (1.52 m) of extra length so dryer may be moved if needed.

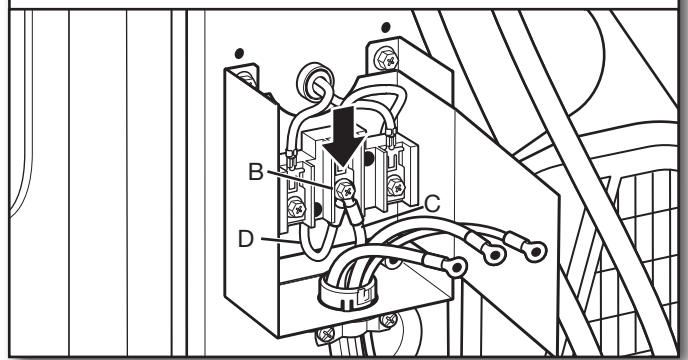
Strip 3 1/2" (89 mm) of outer covering from end of cable. Strip insulation back 1" (25 mm). If using 3-wire cable with ground wire, cut bare wire even with outer covering. Shape wire ends into hooks.

2. Connect neutral wire



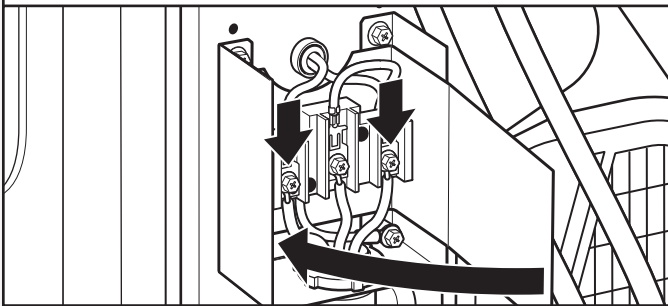
Place hooked end of neutral wire (white or center) (C) of direct wire cable under center screw of terminal block (B), hook facing right. Squeeze hooked end together. Tighten screw.

2. Connect neutral wire



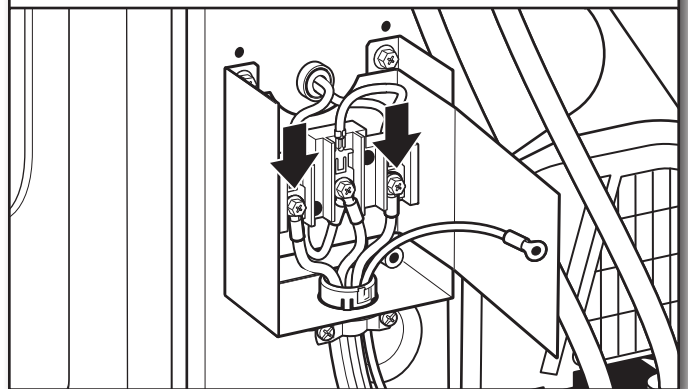
Connect neutral wire (white or center) (C) of power supply cord or cable under center terminal block screw (B). Make sure the end of neutral bonding wire (white) (D) looped in Step 1 remains on the center terminal when the power supply cord neutral wire is attached. Tighten screw.

3. Connect remaining wires



Place hooked ends of remaining direct wire cable wires under outer terminal block screws (hooks facing right). Squeeze hooked ends together, tighten screws, tighten strain relief screws, and fold insulator over terminal block. Finally, reinsert tab of terminal block cover into slot at bottom edge of terminal block housing. Secure cover with the 2 hold-down screws. Now, go to "Level Dryer."

3. Connect remaining wires

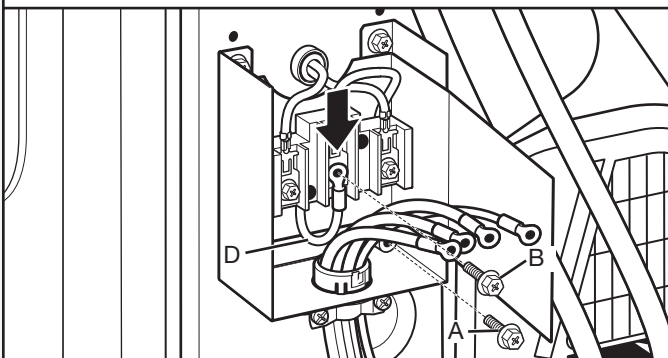


Place ends of remaining wires under outer terminal block screws. Tighten screws and tighten strain relief.

Optional External Ground for 3-Wire Connection (Power Supply Cord Shown)

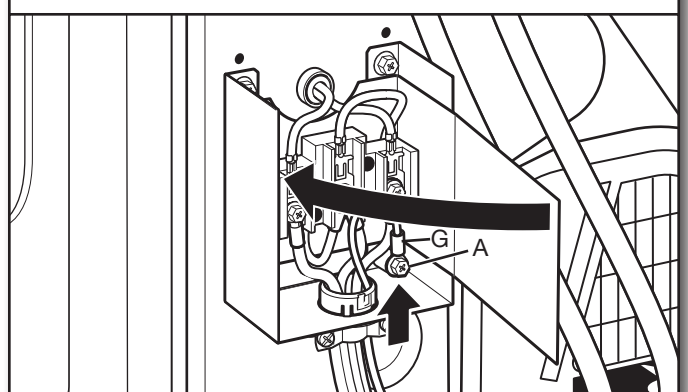
IMPORTANT: You must verify with a qualified electrician that this grounding method is acceptable before connecting.

1. Prepare to connect neutral wire



Remove center terminal block screw (B) and green external ground conductor screw (A). Loop neutral bonding wire (white) (D) to center terminal block.

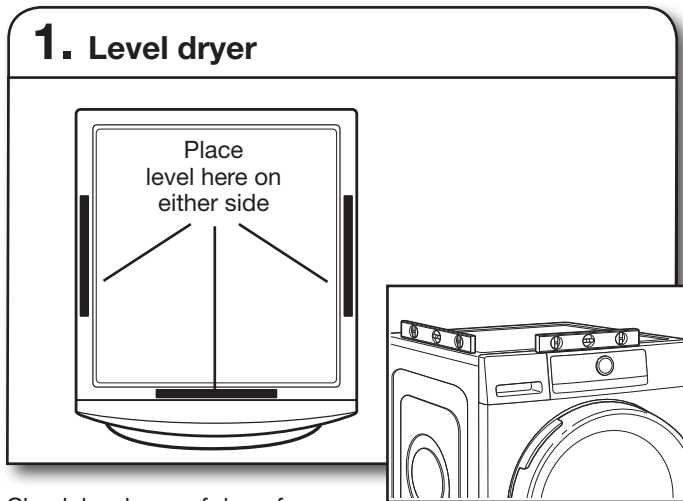
4. Connect external ground wire



Connect a separate copper ground wire (G) under the green external ground conductor screw (A) to an adequate ground. Fold insulator over terminal block. Finally, reinsert tab of terminal block cover into slot at bottom edge of terminal block housing. Secure cover with the 2 hold-down screws. Now, go to "Level Dryer."

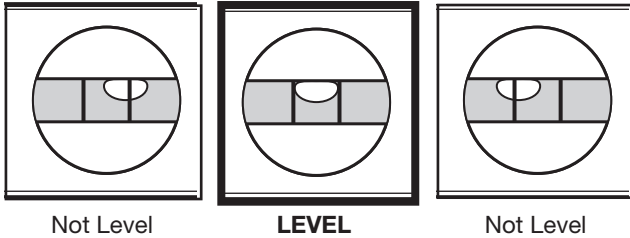
Level Dryer

1. Level dryer

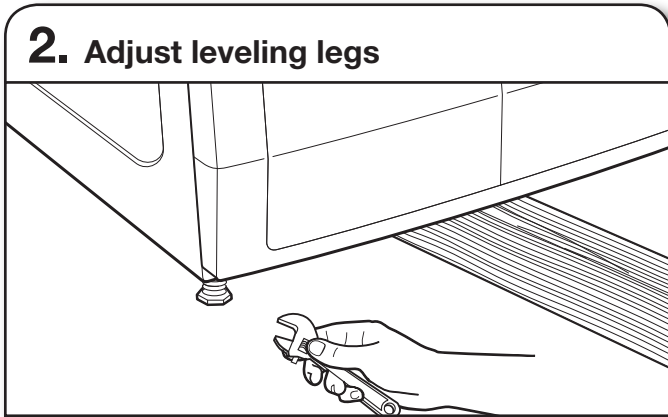


Check levelness of dryer from side to side. Repeat from front to back.

NOTE: The dryer must be level for the moisture-sensing system to operate correctly. If forward slope of dryer is greater than 1" (25 mm), water could run out from front of filter.



2. Adjust leveling legs



If dryer is not level, prop up using a wood block, use wrench to adjust legs up or down, and check again for levelness. Once dryer is level, make sure all four legs are snug against the floor and dryer does not rock.

⚠️ WARNING



Electrical Shock Hazard

Plug into a grounded 3 prong outlet.

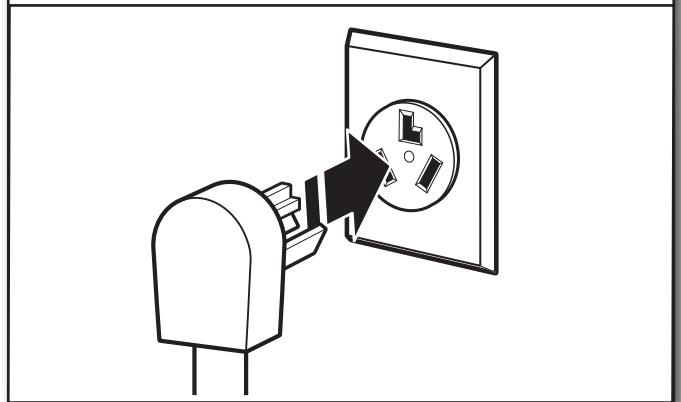
Do not remove ground prong.

Do not use an adapter.

Do not use an extension cord.

Failure to follow these instructions can result in death, fire, or electrical shock.

3. Plug into a grounded 3 prong outlet



Complete Installation Checklist

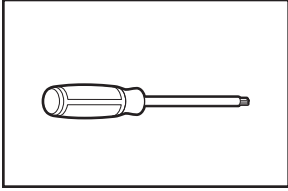
- Check that all parts are now installed. If there is an extra part, go back through steps to see what was skipped.
- Check that dryer is level. See "Level Dryer."
- Check that you have all of your tools.
- Dispose of/recycle all packaging materials.
- Check dryer's final location.
- Remove any tape remaining on dryer.
- Wipe dryer drum interior thoroughly with a damp cloth to remove any dust.
- Read "Using Your Dryer" in "Operating Instructions."
- For power supply cord installation, plug into a grounded outlet. For direct wire installation, turn on power.
- Select a Timed Dry heated cycle and start dryer.
 - If dryer will not start, check the following:
 - Controls are set in a running or ON position.
 - Start/Pause button has been pushed firmly and held for 3 seconds.
 - Dryer is plugged into an outlet and/or electrical supply.
 - Household fuse is intact and tight or circuit breaker has not tripped.
 - Dryer door is closed.

This dryer automatically runs an installation diagnostic routine at the start of its first cycle.

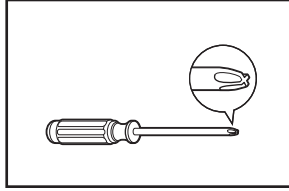
NOTE: You may notice an odor when dryer is first heated. The odor will go away.

Door Reversal (optional)

Tools needed:

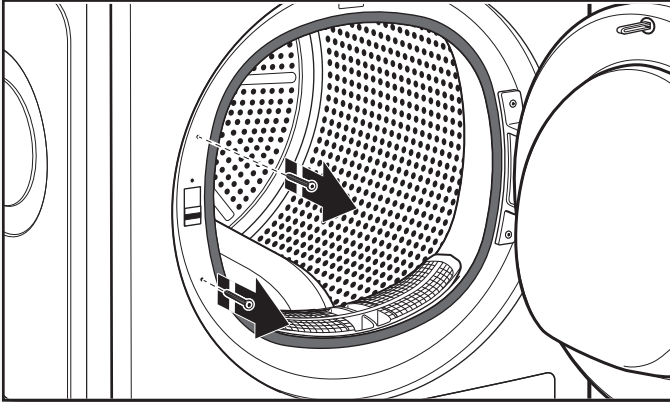


Min. 8" long TORX® T20® screwdriver



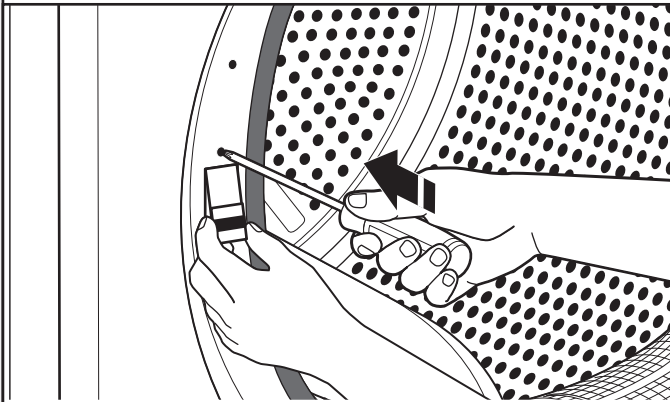
#2 Phillips screwdriver

1. Remove door lock screws



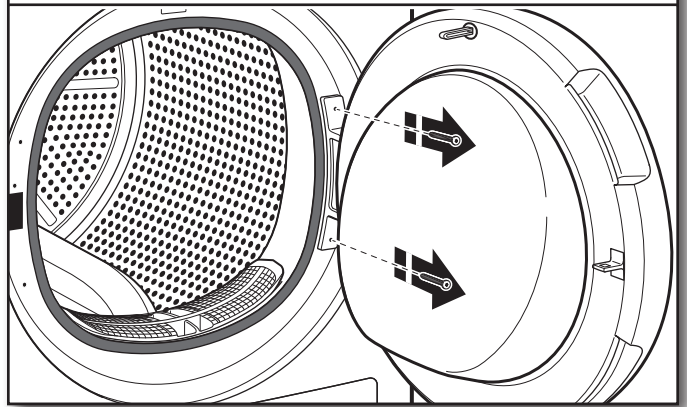
Remove the two trim screws located above and below the door lock, to the left of the door opening.

2. Remove door lock

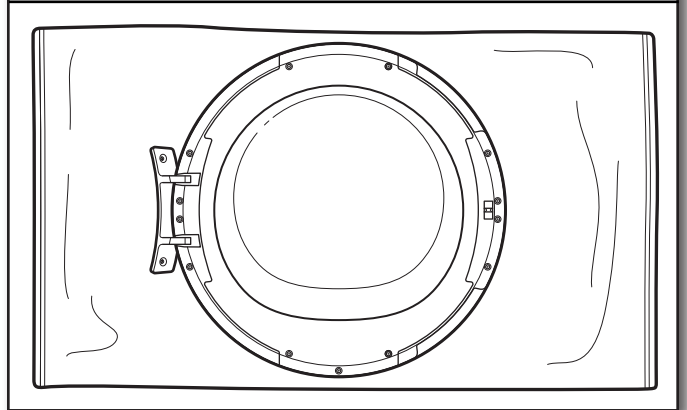
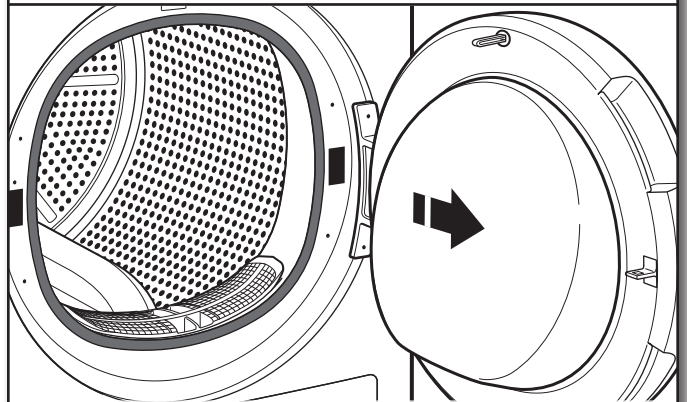


Press the small knob above the door lock with a small screwdriver. At the same time, push up on the door lock and pull it towards you.

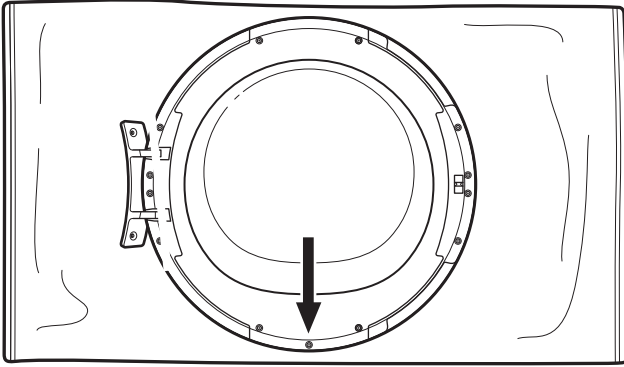
3. Remove two screws on door hinge



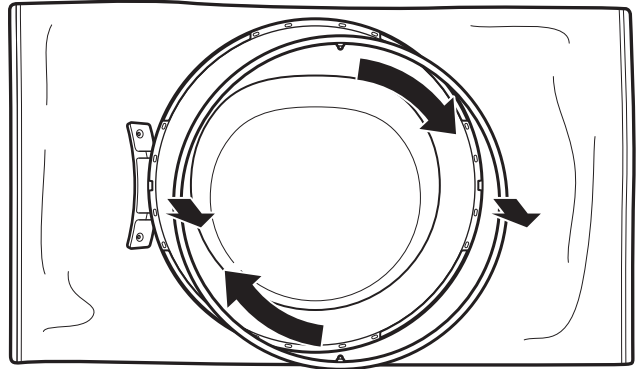
4. Remove door and gently lay front-side-down on soft surface



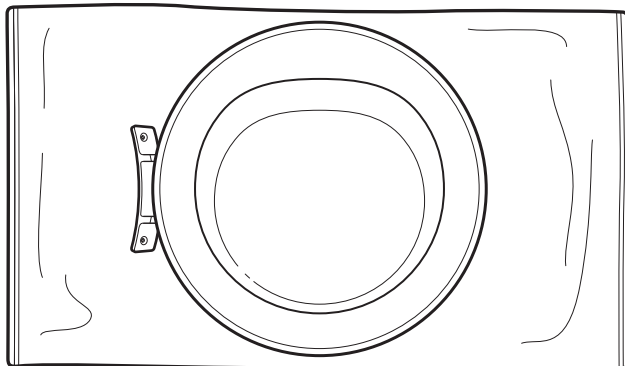
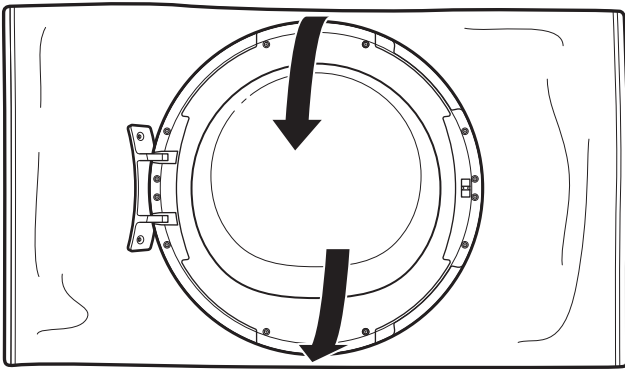
5. Unscrew bottom screw to release chrome trim ring



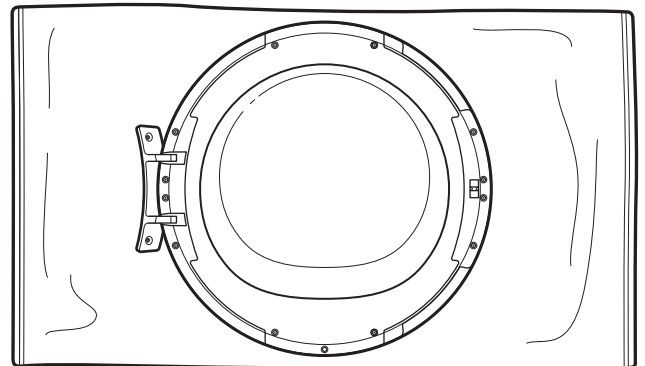
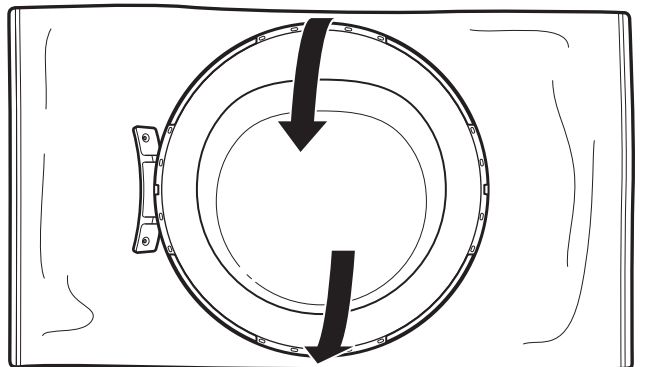
7. While holding door, gently turn chrome trim ring clockwise and remove



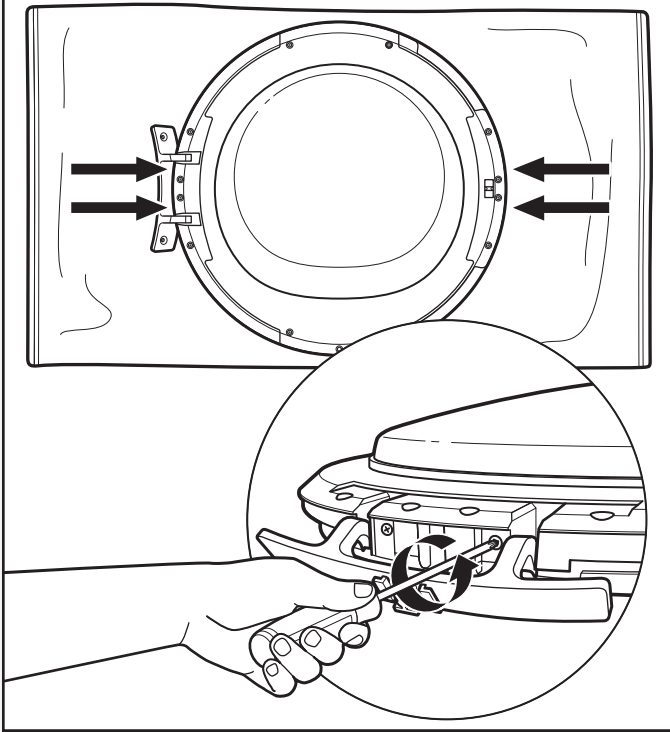
6. Flip over door so door glass is on bottom



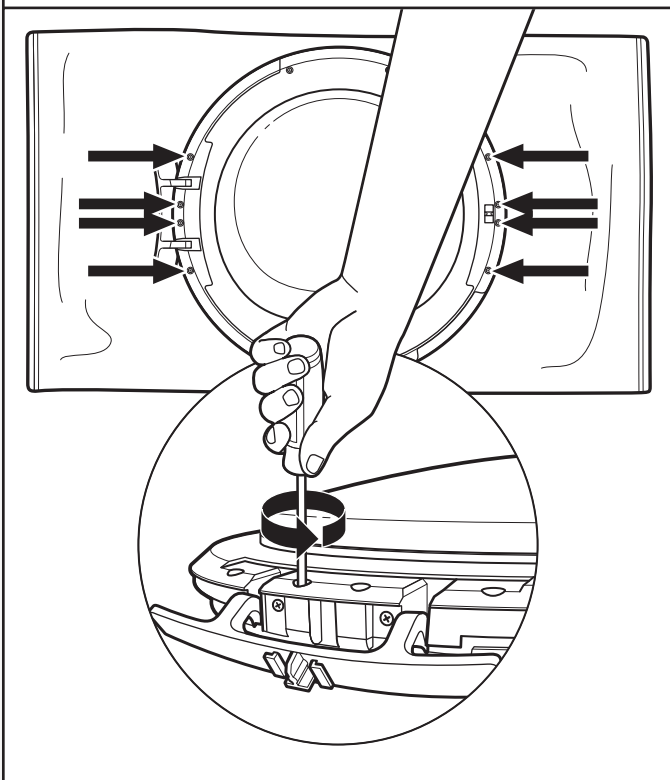
8. Flip over door so door glass again faces up



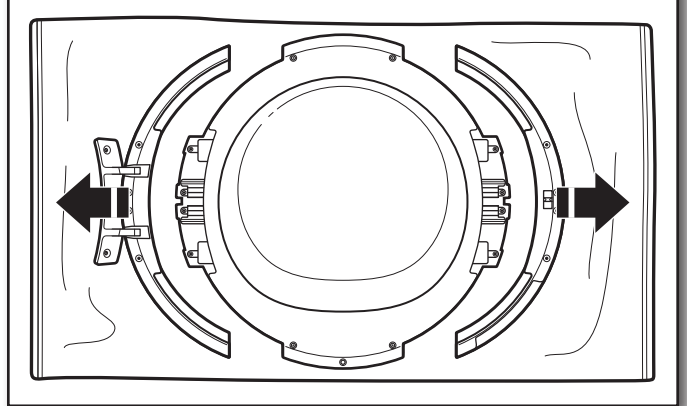
9. Remove 2 side screws on each side of door



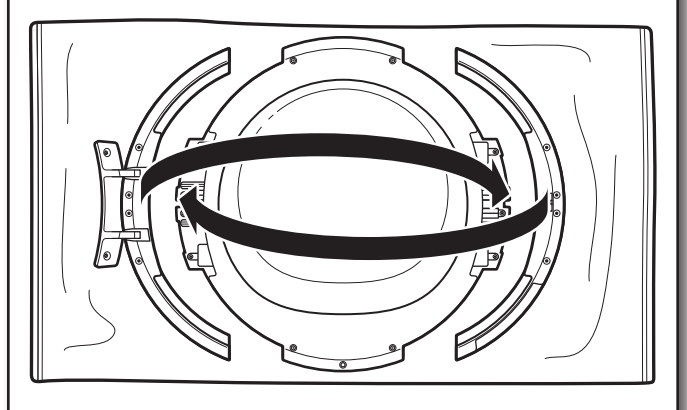
10. Remove 4 inner screws on each side of door



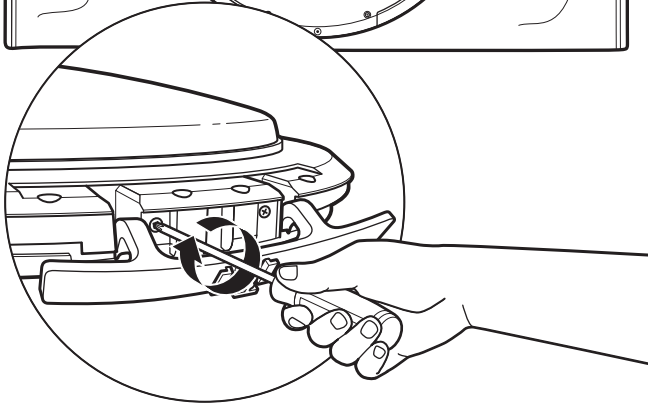
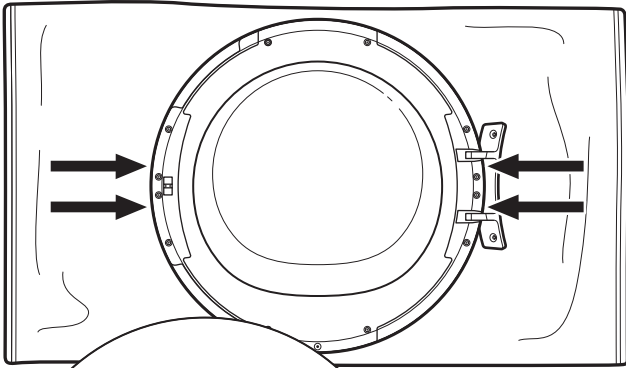
11. Remove side parts on each side of door



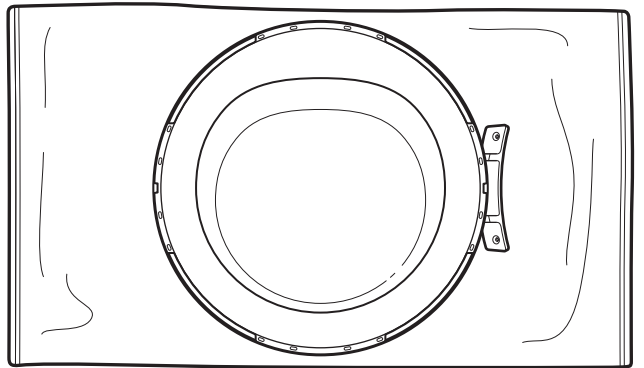
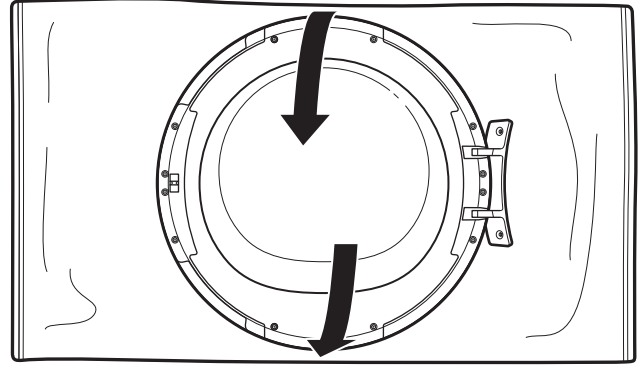
12. Reverse side parts and insert them again



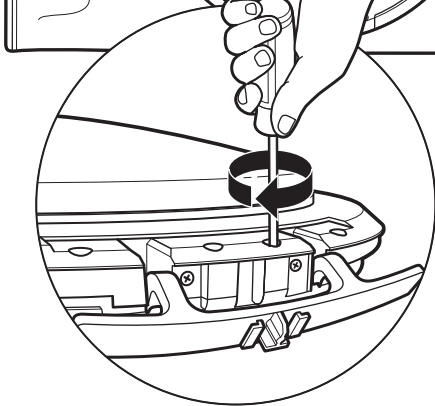
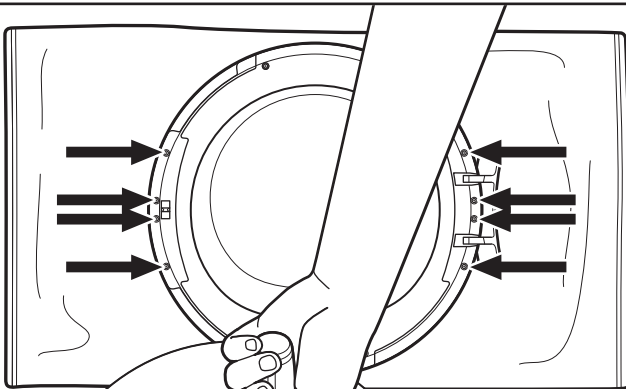
13. Re-fasten 2 screws on each side of door



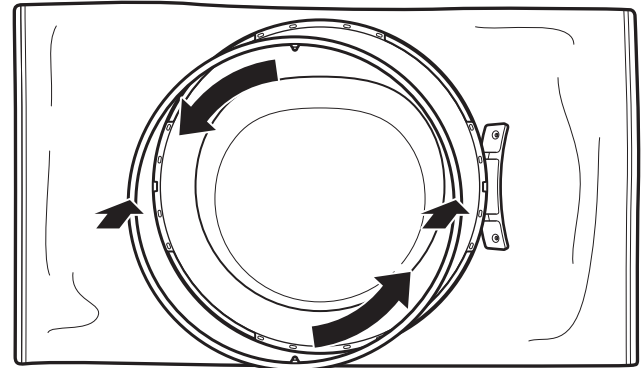
15. Flip over door so door glass is on bottom



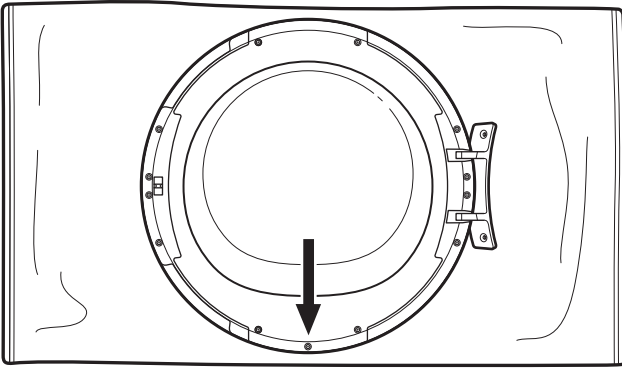
14. Re-fasten 4 inner screws on each side of door



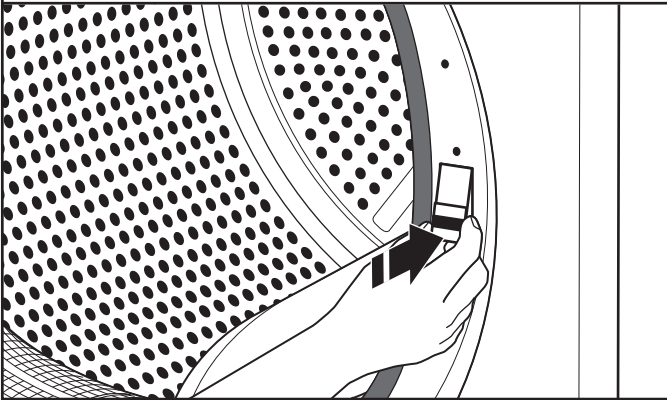
16. Replace chrome trim ring



17. Flip over door again so glass faces up

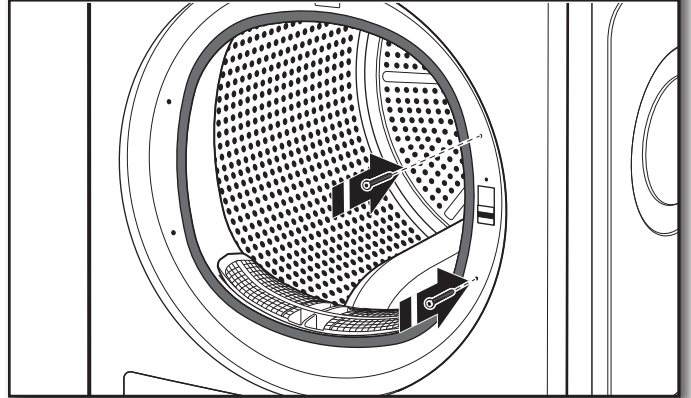


18. Install door lock on right side of door opening



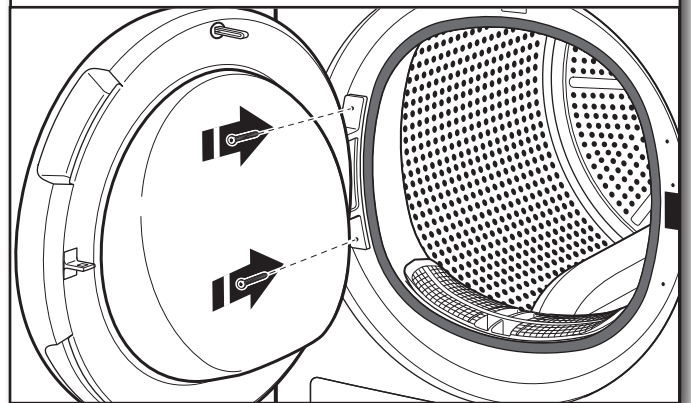
Press the door lock completely into the hole and move it slightly downwards until the small knob of the door lock latches.

19. Fasten door lock screws



Fasten the two trim screws located above and below the door lock, to the right of the door opening.

20. Fasten door to left side of door opening



Fasten the two screws to the door hinge.

TROUBLESHOOTING

First try the solutions suggested here or visit our website at www.whirlpool.com/product_help –
In Canada www.whirlpool.ca for assistance and to possibly avoid a service call.

| If you experience | Possible Causes | Solution |
|--------------------------------------------------------------------|-------------------------------------------------------------------|---------------------------------------------------------------------------------------------------------------------------------------------------------------------------------------------------------------------------------------------------------------|
| Dryer Operation | | |
| Dryer will not run | Door not closed completely. | Make sure the dryer door is closed completely. |
| | Start/Pause button not touched firmly. | Touch the Start/Pause button firmly. |
| | Bottom filter not in place. | Place filter back in dryer and make sure the handle is properly seated. The bottom filter indicator will light up if not properly seated. |
| | Household fuse is blown or circuit breaker has tripped. | There may be 2 household fuses or circuit breakers for the dryer. Check that both fuses are intact and tight, or that both circuit breakers have not tripped. Replace the fuses or reset the circuit breaker. If the problem continues, call an electrician. |
| | Incorrect power supply. | Electric dryers require 240-volt power supply. Check with a qualified electrician. |
| | Wrong type of fuse. | Use a time-delay fuse. |
| Unusual Noise | | |
| Thumping noise | Dryer hasn't been used in a while. | This is due to temporary flat spots on the drum rollers. The thumping sound will diminish after a few minutes. |
| Rattling or vibrating noise | A small object caught between the edges of dryer drum. | Check the front and rear edges of the drum for small objects. Clean out pockets before laundering. |
| | Dryer isn't properly leveled. | The dryer may vibrate if not properly installed. See "Installation Instructions." All four dryer feet should be in firm contact with the floor. |
| | Clothing is balled up in dryer. | When balled up, the load will bounce, causing the dryer to vibrate. Separate the load items and restart the dryer. |
| Loud humming or increased noise during cycle | Load is packed tightly. | Reduce load size to recommended load size in "Program/Cycle Guide." Run the dryer for 5–10 minutes. |
| Dryer Results | | |
| Clothes are not drying satisfactorily or drying times are too long | Lint screen is clogged with lint. | Clean lint screen before each load. |
| | Bottom filter and screen is clogged with lint. | Clean bottom filter after every 5th cycle. |
| | The dryer is not level. | Clothes not contacting the moisture sensors during Automatic Cycles. See "Level Dryer" in "Installation Instructions." |
| | The load is too large and heavy to dry quickly. | Separate the load to tumble freely. |
| | Fabric softener sheets are blocking the grille. | The air outlet grille is just inside the door. Check that it is not blocked by a fabric softener sheet. Use only one fabric softener sheet, and use it only once. |
| | The dryer is located in a room with temperature below 45°F (7°C). | Proper operation of dryer cycles requires temperatures above 45°F (7°C). |
| | The dryer is located in a closet. | Closet doors must have ventilation openings at the top and bottom of the door. The front of the dryer requires a minimum of 1" (25 mm) of airspace, and, for most installations, the rear of the dryer requires 5" (127 mm). See "Installation Instructions." |




TROUBLESHOOTING

First try the solutions suggested here or visit our website at www.whirlpool.com/product_help –
In Canada www.whirlpool.ca for assistance and to possibly avoid a service call.

| If you experience | Possible Causes | Solution |
|----------------------------------------------------------|-------------------------------------------------------------------------------------------|-----------------------------------------------------------------------------------------------------------------------------------------------------------------------------------------------------------------------------------------------------|
| Dryer Results (cont.) | | |
| There may be some water in the bottom filter or on floor | The dryer is not level. | Floor needs to have a slope less than 1" (25 mm). See "Level Dryer" in "Installation Instructions." |
| | Bottom filter is not properly seated. | Make sure filter is placed in the housing cabinet correctly. See "Cleaning the Bottom Filter." |
| | Drain hose is longer than what was provided. Verify water container and hose connections. | Drain hose can be installed no higher than 36" (91 cm) from bottom of the dryer. See "Drain System" in "Installation Instructions." |
| Cycle time is too short | The load may not be contacting the sensor strips on Automatic Cycles. | Level the dryer. See "Installation Instructions." All four dryer feet should be in firm contact with the floor. |
| | The Automatic Cycle is ending early. | Change the dryness level setting on Automatic Cycles. Increasing or decreasing the dryness level will change the amount of drying time in a cycle. If loads are consistently ending too early, also see "Adapting the dryer to water conductivity." |
| Lint on load | Lint screen is clogged with lint. | Clean lint screen before each load. |
| Stains on load | Improper use of fabric softener. | Add dryer fabric softener sheets at the beginning of the cycle. Fabric softener sheets added to a partially dried load can stain your garments. Do not use fabric softener sheets with steam cycles. |
| Stains on drum | Loose dyes in clothes. | Drum stains are caused by dyes in clothing (usually blue jeans). These will not transfer to other clothing. |
| Loads are wrinkled | The load was not removed from dryer at the end of the cycle. | Refer to garment care label instructions. Dry-clean-only garments are not recommended. |
| | The dryer was tightly packed. | Dry smaller loads that can tumble freely. Results may also vary depending on fabric type. |
| Odors | Recent painting, staining, or varnishing in the area where your dryer is located. | Ventilate the area. When the odors or fumes are gone from the area, rewash and dry the clothing. |
| | Odors are left in garments after wearing. | Rewash and dry the clothing. |
| Load too hot | Load removed before cool-down portion of cycle complete. | Allow the dryer to complete the cool-down portion of the cycle before removing the load. |
| Stains or lint buildup on wall behind dryer | Dryer too close to wall. | Move dryer away from wall and make sure you have proper ventilation. |

TROUBLESHOOTING

First try the solutions suggested here or visit our website at www.whirlpool.com/product_help –
In Canada www.whirlpool.ca for assistance and to possibly avoid a service call.

| If you experience | Possible Causes | Solution |
|-----------------------------------------------------------------------------------|--------------------------------------------|----------------------------------------------------------------------------------------------------------------------------------------------------------------------------------------------------------------------------------------------------------------------------------------------------------------------------------------------|
| Dryer Displays Code Message or LED Symbol Lights Up | | |
|  | Water tank is filled with water. | Empty water tank; make sure to insert it properly afterwards. |
| | Water tank is not correctly positioned. | Push in the water tank to make sure that it is correctly inserted in the tank compartment. |
|  | Bottom filter is blocked by lint. | Clean the bottom filter; make sure to insert it properly afterwards. |
| | Bottom filter is not correctly positioned. | Push in the bottom filter and move the release levers into a vertical position to make sure the filter is correctly inserted in the filter compartment. Close the flap. |
|  | Door filter is blocked by lint. | Remove and clean the door filter; afterwards, make sure to insert it properly in the filter compartment. |
| | Door filter is not correctly positioned. | Check position of the door filter; make sure that it is properly inserted in the filter compartment. |
| F01 to F04 | A component has failed. | Touch and hold the Power button for at least 3 seconds while dryer is on. |
| F05 to F09 | A component has failed. | Turn off and unplug the dryer. Immediately open the door and take out the laundry so that the heat can dissipate. Make sure that the ambient temperature ranges between 41°F (5°C) and 95°F (35°C). After about one hour, plug in the dryer, load the laundry, and start the program/cycle again. If the failure persists, call for service. |
| F10 to F24 | A component has failed. | Turn off and unplug the dryer. After about half an hour, plug in the dryer and start the program/cycle again. If the failure persists, call for service. |

Notes

Notes

WHIRLPOOL® LAUNDRY LIMITED WARRANTY

ATTACH YOUR RECEIPT HERE. PROOF OF PURCHASE IS REQUIRED TO OBTAIN WARRANTY SERVICE.

Please have the following information available when you call the Customer eXperience Center:

- Name, address, and telephone number
- Model number and serial number
- A clear, detailed description of the problem
- Proof of purchase including dealer or retailer name and address

IF YOU NEED SERVICE:

1. Before contacting us to arrange service, please determine whether your product requires repair. Some questions can be addressed without service. Please take a few minutes to review the Troubleshooting or Problem Solver section of the Use and Care Guide, scan the QR code on the right to access additional resources, or visit https://www.whirlpool.com/product_help.
2. All warranty service is provided exclusively by our authorized Whirlpool Service Providers.



https://www.whirlpool.com/product_help

In the U.S. and Canada, direct all requests for warranty service to:

Whirlpool Customer eXperience Center

In the U.S.A. call 1-800-253-1301. In Canada call 1-800-807-6777.

If outside the 50 United States and Canada, contact your authorized Whirlpool dealer to determine if another warranty applies.

ONE YEAR LIMITED WARRANTY

WHAT IS COVERED

For one year from the date of purchase, when this major appliance is installed, operated, and maintained according to instructions attached to or furnished with the product, Whirlpool Corporation or Whirlpool Canada LP (hereafter "Whirlpool") will pay for Factory Specified Replacement Parts and repair labor to correct defects in materials or workmanship that existed when this major appliance was purchased, or at its sole discretion replace the product. In the event of product replacement, your appliance will be warranted by the remaining term of the original unit's warranty period.

YOUR SOLE AND EXCLUSIVE REMEDY UNDER THIS LIMITED WARRANTY SHALL BE PRODUCT REPAIR AS PROVIDED HEREIN. Service must be provided by a Whirlpool designated service company. This limited warranty is valid only in the United States or Canada and applies only when the major appliance is used in the country in which it was purchased. This limited warranty is effective from the date of original consumer purchase. Proof of original purchase date is required to obtain service under this limited warranty.

WHAT IS NOT COVERED

1. Commercial, non-residential, multiple-family use, or use inconsistent with published user, operator, or installation instructions.
2. In-home instruction on how to use your product.
3. Service to correct improper product maintenance or installation, installation not in accordance with electrical or plumbing codes, or correction of household electrical or plumbing (i.e. house wiring, fuses, or water inlet hoses).
4. Consumable parts (i.e. light bulbs, batteries, air or water filters, preservation solutions, etc.).
5. Defects or damage caused by the use of non-genuine Whirlpool parts or accessories.
6. Conversion of your product from natural gas or L.P. gas or reversal of appliance doors.
7. Damage from accident, misuse, abuse, fire, floods, acts of God, or use with products not approved by Whirlpool.
8. Repairs to parts or systems to correct product damage or defects caused by unauthorized service, alteration, or modification of the appliance.
9. Cosmetic damage including scratches, dents, chips, and other damage to appliance finishes unless such damage results from defects in materials and workmanship and is reported to Whirlpool within 30 days.
10. Discoloration, rust, or oxidation of surfaces resulting from caustic or corrosive environments, including but not limited to, high salt concentrations, high moisture or humidity, or exposure to chemicals.
11. Pick-up or delivery. This product is intended for in-home repair.
12. Travel or transportation expenses for service in remote locations where an authorized Whirlpool servicer is not available.
13. Removal or reinstallation of inaccessible appliances or built-in fixtures (i.e. trim, decorative panels, flooring, cabinetry, islands, countertops, drywall, etc.) that interfere with servicing, removal, or replacement of the product.
14. Service or parts for appliances with original model/serial numbers removed, altered, or not easily determined.

The cost of repair or replacement under these excluded circumstances shall be borne by the customer.

DISCLAIMER OF IMPLIED WARRANTIES

IMPLIED WARRANTIES, INCLUDING ANY IMPLIED WARRANTY OF MERCHANTABILITY OR IMPLIED WARRANTY OF FITNESS FOR A PARTICULAR PURPOSE, ARE LIMITED TO ONE YEAR OR THE SHORTEST PERIOD ALLOWED BY LAW. Some states and provinces do not allow limitations on the duration of implied warranties of merchantability or fitness, so this limitation may not apply to you. This warranty gives you specific legal rights, and you also may have other rights that vary from state to state or province to province.

DISCLAIMER OF REPRESENTATIONS OUTSIDE OF WARRANTY

Whirlpool makes no representations about the quality, durability, or need for service or repair of this major appliance other than the representations contained in this Warranty. If you want a longer or more comprehensive warranty than the limited warranty that comes with this major appliance, you should ask Whirlpool or your retailer about buying an extended warranty.

LIMITATION OF REMEDIES; EXCLUSION OF INCIDENTAL AND CONSEQUENTIAL DAMAGES

YOUR SOLE AND EXCLUSIVE REMEDY UNDER THIS LIMITED WARRANTY SHALL BE PRODUCT REPAIR AS PROVIDED HEREIN. WHIRLPOOL SHALL NOT BE LIABLE FOR INCIDENTAL OR CONSEQUENTIAL DAMAGES. Some states and provinces do not allow the exclusion or limitation of incidental or consequential damages, so these limitations and exclusions may not apply to you. This warranty gives you specific legal rights, and you also may have other rights that vary from state to state or province to province.

11/14

Assistance or Service

Before calling for assistance or service, please check "Troubleshooting" or visit www.whirlpool.com/help. It may save you the cost of a service call. If you still need help, follow the instructions below. When calling, please know the purchase date and the complete model and serial number of your appliance. This information will help us to better respond to your request.

If you need replacement parts or to order accessories

We recommend that you use only FSP® Factory Specified Parts. These parts will fit right and work right because they are made with the same precision used to build every new WHIRLPOOL® appliance.

To locate FSP® replacement parts or accessories go to www.whirlpoolpartsonline.com.

Questions? Call us toll free at **1-866-698-2538** or in Canada call **1-800-688-2002**.

Our consultants provide assistance with

In the U.S.A.

- Features and specifications on our full line of appliances.
- Installation information.
- Specialized customer assistance (Spanish speaking, hearing impaired, limited vision, etc.).

In the U.S.A. and Canada

- Use and maintenance procedures.
- Accessory and repair parts sales.
- Referrals to local dealers, repair parts distributors, and service companies. Whirlpool designated service technicians are trained to fulfill the product warranty and provide after-warranty service, anywhere in the United States and Canada.

You can write with any questions or concerns at:

Whirlpool Brand Appliances
Customer eXperience Center
553 Benson Road
Benton Harbor, MI 49022-2692
1-866-698-2538

Whirlpool Brand Appliances
Customer eXperience Centre
Unit 200-6750 Century Ave
Mississauga, Ontario L5N 0B7
1-800-688-2002

Please include a daytime phone number in your correspondence.

Assistance ou Service

Avant de faire un appel pour obtenir de l'assistance ou un entretien, vérifier la section "Dépannage" ou consulter www.whirlpool.com/help. Cette vérification peut vous faire économiser le coût d'une visite de réparation. Si vous avez encore besoin d'aide, suivre les instructions ci-dessous.

Lors d'un appel, garder à portée de main la date d'achat et les numéros de modèle et de série de votre appareil. Ces renseignements nous aideront à mieux répondre à votre demande.

Pour commander des pièces de rechange ou des accessoires

Pour commander des pièces de rechange, nous vous recommandons d'utiliser seulement des pièces spécifiées par l'usine. Ces pièces conviendront et fonctionneront bien parce qu'elles sont fabriquées selon les mêmes spécifications précises utilisées pour construire chaque nouvel appareil WHIRLPOOL®.

Pour trouver des pièces de rechange FSP® ou des accessoires, visiter le www.whirlpool.ca.

Des questions? Composer le numéro sans frais **1-800-688-2002**.

Nos consultants fournissent l'assistance pour :

- Procédés d'utilisation et d'entretien.
- Vente d'accessoires et de pièces de rechange.
- Références aux concessionnaires, compagnies de service de réparation et distributeurs de pièces de rechange locaux. Les techniciens de service désignés par Whirlpool sont formés pour remplir la garantie des produits et fournir un service après la garantie, partout au Canada.

Pour plus d'assistance

Vous pouvez nous soumettre toute question ou tout problème en écrivant à l'adresse ci-dessous :

Whirlpool Brand Appliances
Centre pour l'eXpérience de la clientèle
Unit 200-6750 Century Ave
Mississauga, Ontario L5N 0B7
1-800-688-2002

Dans votre correspondance, veuillez indiquer un numéro de téléphone où nous pouvons vous joindre dans la journée.