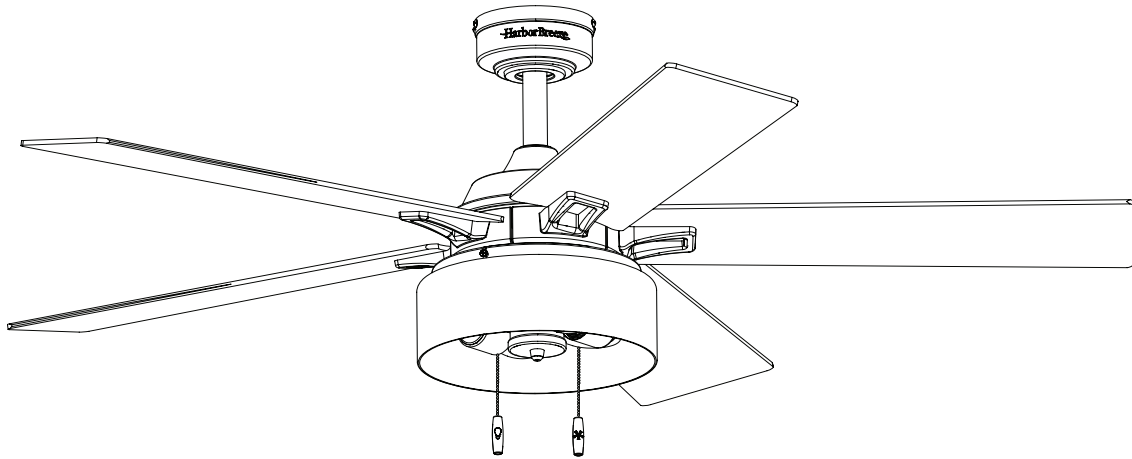




ITEM #1058358, 1059424
HATHAWAY CEILING FAN
MODEL #42463, 42464

HARBOR BREEZE and logo design are trademarks or registered trademarks of LF, LLC. All rights reserved.

Español p. 20



ATTACH YOUR RECEIPT HERE

Purchase Date _____



Questions, problems, missing parts? Before returning to your retailer, call our customer service department at 1-888-251-1003, 8 a.m. - 8 p.m., EST, Monday - Sunday. You could also contact us at partsplus@lowes.com or visit www.lowespartsplus.com.

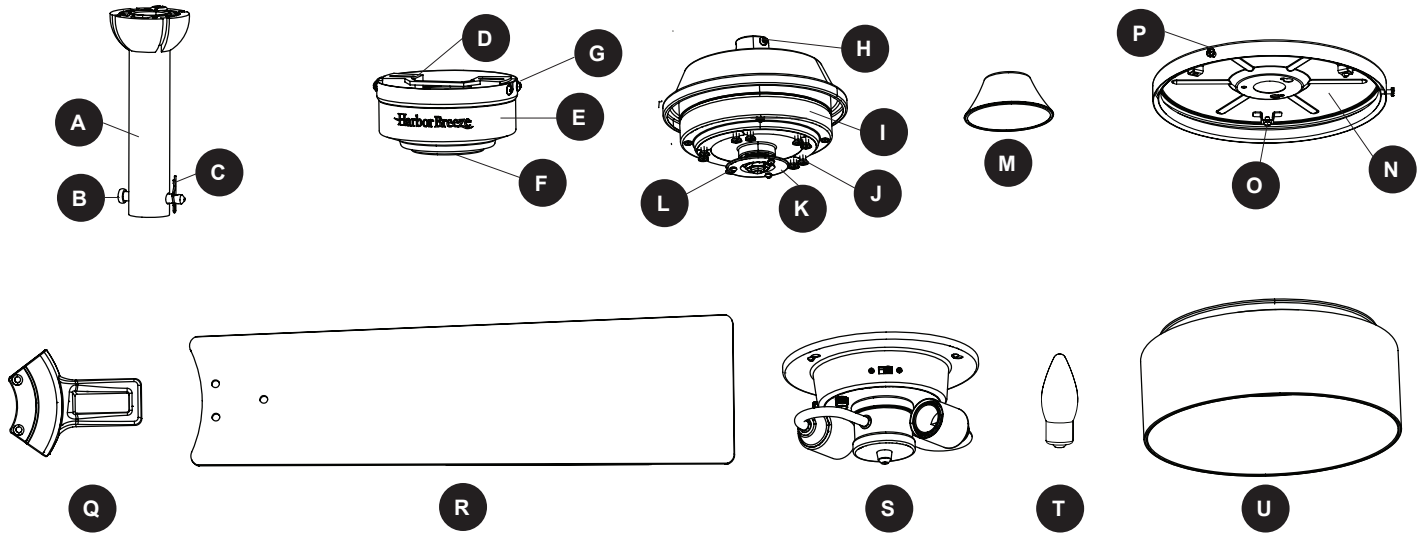


TABLE OF CONTENTS

Package Contents	3
Hardware Contents	4
Safety Information	5
Preparation	6
Initial Installation	7
Wiring	11
Final Installation.	12
Operating Instructions	15
Care and Maintenance	16
Troubleshooting.	16
Limited Lifetime Warranty	18
Replacement Parts List	19



PACKAGE CONTENTS



PART	DESCRIPTION	QUANTITY
A	Downrod	1
B	Downrod Pin (preassembled to Downrod [A])	1
C	Downrod Clip (preassembled to Downrod [A])	1
D	Mounting Bracket (preassembled to Canopy [E])	1
E	Canopy	1
F	Canopy Cover (preassembled to Canopy [E])	1
G	Mounting Bracket Screw (preassembled to Mounting Bracket [D])	4
H	Set Screw (preassembled to Motor Assembly [I])	2
I	Motor Assembly	1
J	Motor Screw	10
K	Fitter Plate (preassembled to Motor Assembly [I])	1
L	Fitter Plate Screw (preassembled to Fitter Plate [K])	3
M	Yoke Cover	1
N	Light Pan	1
O	Light Pan Screw (preassembled to Light Pan [N])	3
P	Thumbscrew (preassembled to Light Pan [N])	3
Q	Blade Arm	5
R	Blade	5
S	Light Kit	1
T	Bulb	2
U	Glass Bowl	1

HARDWARE CONTENTS (shown actual size)

AA



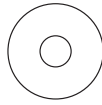
Wire Connector
Qty. 3
+ 1 extra

BB



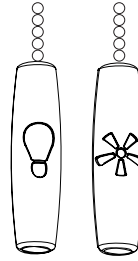
Blade Screw
Qty. 15
+ 1 extra

CC



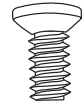
Blade Washer
Qty. 15
+ 1 extra

DD



Pull Chain Extension
Qty. 2

XX



Motor Screw
1 extra



SAFETY INFORMATION

Please read and understand this entire manual before attempting to assemble, operate or install the product.

- Before you begin installing the fan, disconnect the power by removing fuses or turning off the circuit breakers.
- Make sure all electrical connections comply with local codes, ordinances, the National Electrical Code and ANSI/NFPA 70-199. Hire a qualified electrician or consult a do-it-yourself wiring handbook if you are unfamiliar with installing electrical wiring.
- Make sure the installation site you choose allows a minimum clearance of 7 ft. from the blades to the floor and at least 30 in. from the end of the blades to any obstruction.
- The net weight of this fan is: **XXXX lb (XXX kg)**.



DANGER: When using an existing outlet box, make sure the outlet box is securely attached to the building structure and can support the full weight of the fan. Failure to do this can result in serious injury or death. The stability of the outlet box is essential in minimizing wobble and noise in the fan after installation is complete.



WARNING: To avoid personal injury, the use of gloves may be necessary while handling fan parts with sharp edges.



WARNING: Using a full-range dimmer switch to control fan speed will cause a loud humming noise from the fan. To reduce the risk of fire or electric shock, do NOT use this fan with any solid-state speed control device.



WARNING: To reduce the risk of fire, electric shock or personal injury, mount the fan to an outlet box marked “ACCEPTABLE FOR FAN SUPPORT” and use the mounting screws provided with the outlet box. Most outlet boxes commonly used for the support of lighting fixtures are not acceptable for fan support and may need to be replaced. Consult a qualified electrician if in doubt. Secure the outlet box directly to the building structure. The outlet box and its support must be able to support the moving weight of the fan (at least 35 lbs.).



WARNING: To reduce the risk of fire, electric shock or personal injury, wire connectors provided with this fan are designed to accept only one 12-gauge house wire and two lead wires from the fan. If your house wire is larger than 12-gauge and/or there is more than one house wire to connect to the two fan lead wires, consult an electrician for the proper size wire connectors to use.



WARNING: To reduce the risk of fire, electric shock or personal injury, do not bend the blade arms when installing them, balancing the blades or cleaning the fan. Do not insert objects between the rotating fan blades.



WARNING: To reduce the risk of personal injury, use only parts provided with this fan. The use of parts OTHER than those provided with this fan will void the warranty.



SAFETY INFORMATION

CAUTION: Read all instructions and safety information before installing your new fan. Review the accompanying assembly diagrams.

CAUTION: Be sure the outlet box is properly grounded or that a ground (green or bare) wire is present.

CAUTION: Carefully check all screws, bolts and nuts on the fan motor assembly to ensure they are secured.

CAUTION: This device complies with part 15 of FCC Rules. Operation is subject to the following two conditions: 1) This device may cause harmful interference, and 2) this device must accept any interference received, including interference that may cause undesired operation.

CAUTION: This equipment has been tested and found to comply with the limits for a Class B digital device, pursuant to Part 15 of the FCC Rules. These limits are designed to provide reasonable protection against harmful interference in a residential installation. This equipment generates, uses and can radiate radio frequency energy and, if not installed and used in accordance with the instructions, may cause harmful interference to radio communications. However, there is no guarantee that interference will not occur in a particular installation. If this equipment does cause harmful interference to radio or television reception, which can be determined by turning the equipment off and on, the user is encouraged to try to correct the interference by one or more of the following measures:

--Reorient or relocate the receiving antenna.

--Increase the separation between the equipment and receiver

--Connect the equipment into an outlet on a circuit different from that to which the receiver is connected.

--Consult the dealer or an experienced radio/TV technician for help.

Please note changes or modifications not expressly approved by the party responsible for compliance could void the user's authority to operate the equipment.

HKC-US
3350 Players Club Parkway, Suite 225
Memphis, TN 38125
1-888-251-1003

PREPARATION

Before beginning the assembly of this product, ensure that all parts are present. Compare all parts with the package contents list and hardware contents list. If any part is missing or damaged, do not attempt to assemble the product.

Estimated Assembly Time: 120 minutes

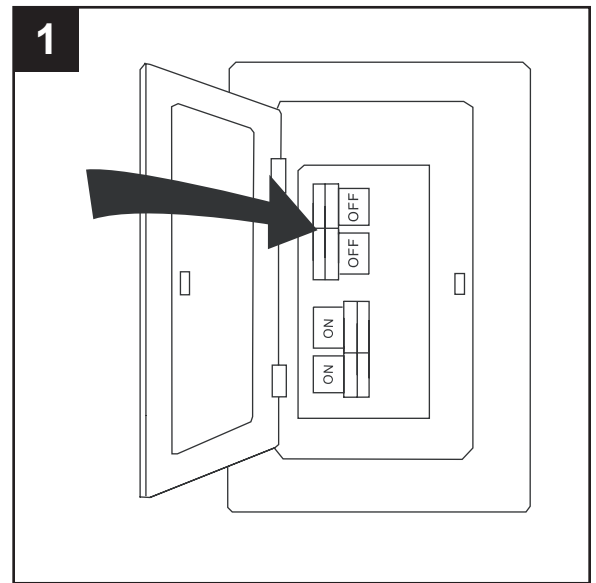
Tools Required for Assembly (not included): Electrical Tape, Phillips Screwdriver, Pliers, Safety Glasses, Step Ladder, Wire Cutters and Wire Strippers

Helpful Tools (not included): AC Tester Light, Tape Measure and Wiring Handbook

INITIAL INSTALLATION

1. Turn off the circuit breakers and the wall switch to the fan supply line leads.

⚠ DANGER: Failure to disconnect the power supply prior to installation may result in serious injury or death.



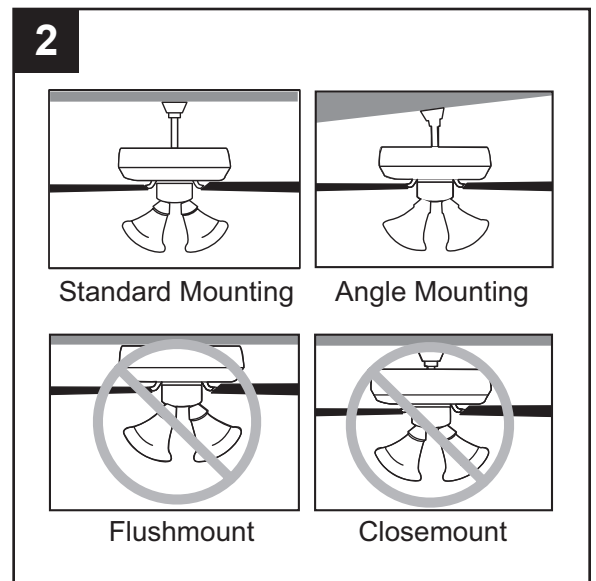
2. Determine the mounting method to use.

Standard Mounting is best suited for ceilings 8 ft. or higher. For taller ceilings you may want to use a longer downrod (not included).

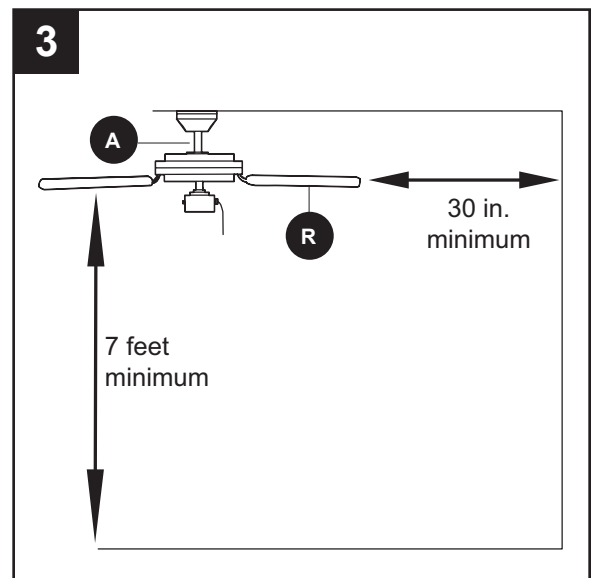
Angle Mounting is best suited for angled or vaulted ceilings. A longer downrod is sometimes necessary to ensure proper blade clearance. **Note:** If using the angle mount, check to ensure the ceiling angle is not steeper than 16°.

Flushmount installation is not available for this item.

Closemount installation is not available for this item.



3. Ensure the blades (R) will be at least 30 in. from any obstructions. Also check the downrod (A) length to ensure the blades (R) will be at least 7 ft. above the floor.

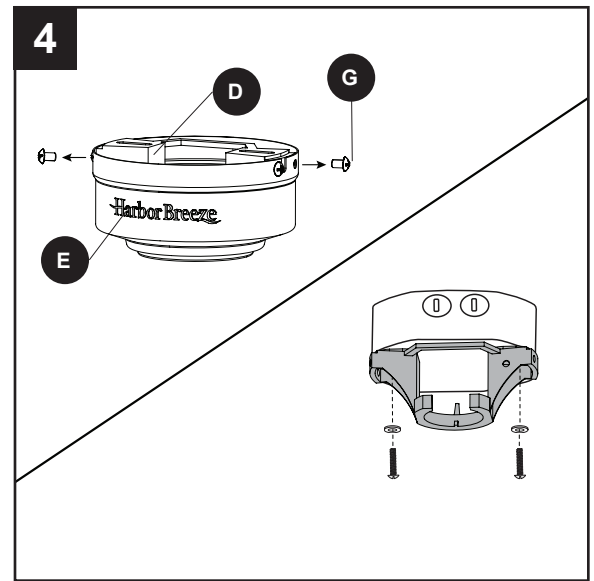


INITIAL INSTALLATION

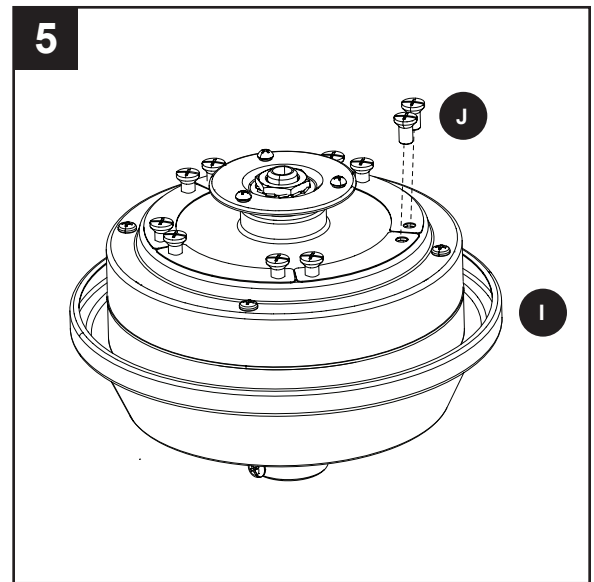
- Loosen all four preassembled mounting bracket screws (G), then completely remove the two mounting bracket screws (G) from the round holes of canopy (E). Set aside for later use. Turn the canopy in a counterclockwise direction. Detach mounting bracket (D) from canopy (E).

Attach mounting bracket (D) to outlet box (not included) using screws and washers provided with the outlet box.

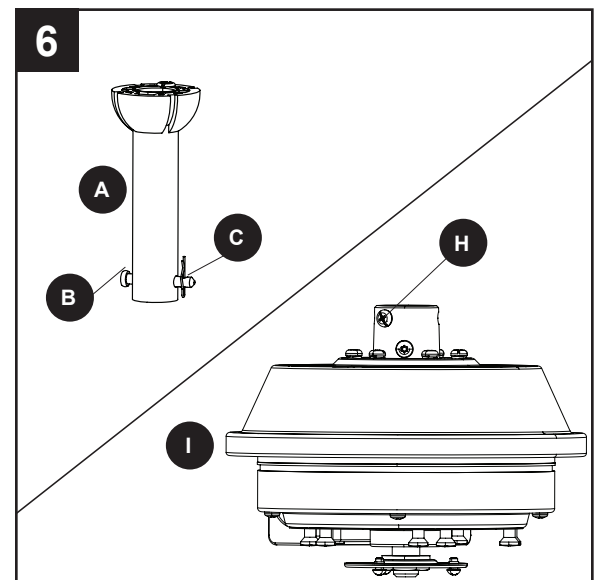
WARNING: It is very important to use the proper hardware when installing the mounting bracket (D) as this will support the fan.



- Remove the 10 preassembled motor screws (J) from the underside of the motor assembly (I). Save motor screws (J) for blade arm (Q) attachment.

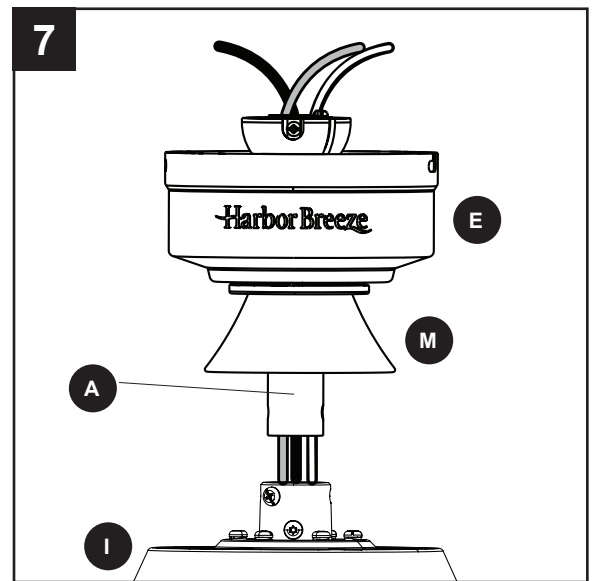


- Remove the downrod clip (C) and downrod pin (B) from the downrod (A). Then partially loosen the set screws (H) in the yoke at the top of the motor assembly (I).

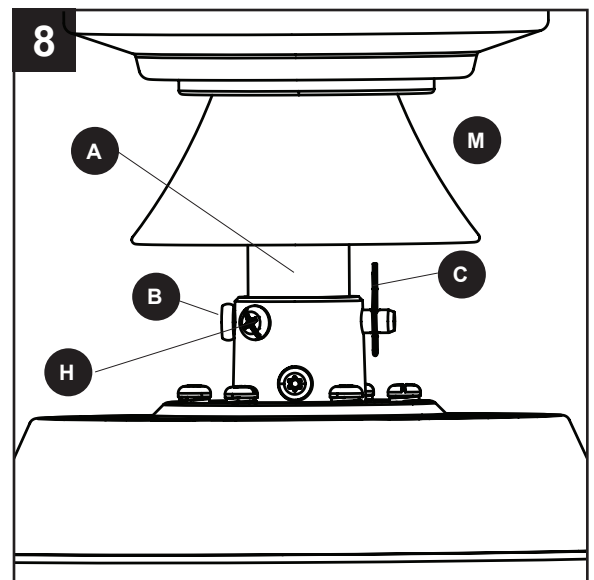


INITIAL INSTALLATION

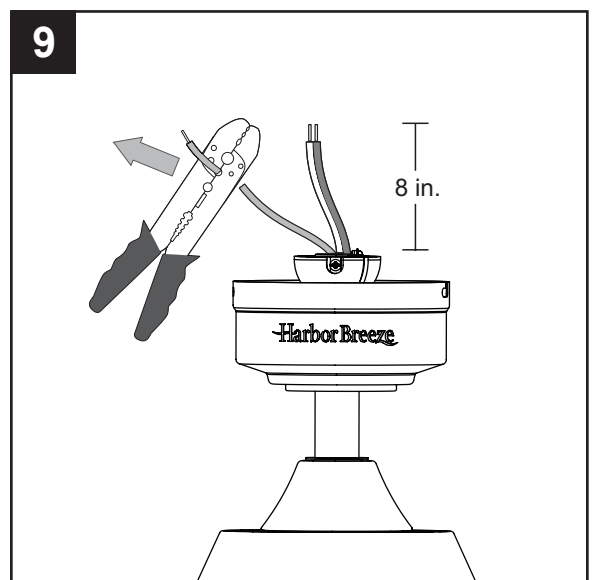
7. Insert the downrod (A) through the canopy (E) and yoke cover (M). Feed the wires from the motor assembly (I) through the downrod (A).



8. Slide the downrod (A) into the yoke of the motor assembly (I), align the holes, then re-install the downrod pin (B) and downrod clip (C). Secure with the two set screws (H) and slide the yoke cover (M) down until it rests on top of the motor assembly (I).



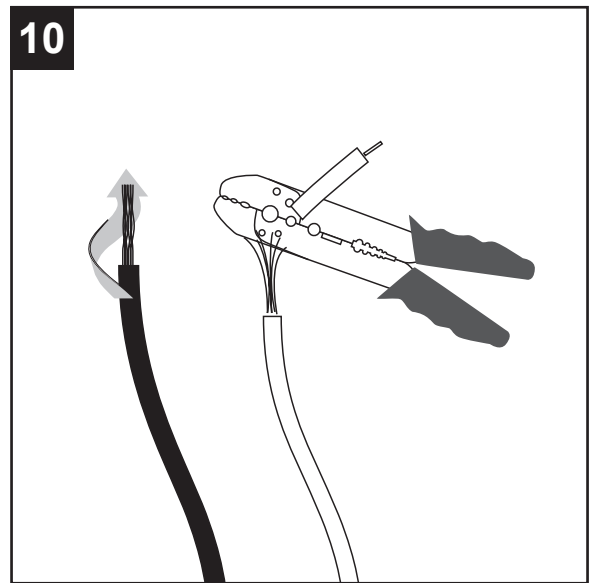
9. Depending on the length of downrod you use, you may need to cut the lead wires back to simplify the wiring. If you decide to cut back the lead wires, take the lead wires and make sure you have pulled them all the way through the top of the downrod. Measure at least 8 inches of lead wire, then cut the excess wire off with wire cutters (not included).



INITIAL INSTALLATION

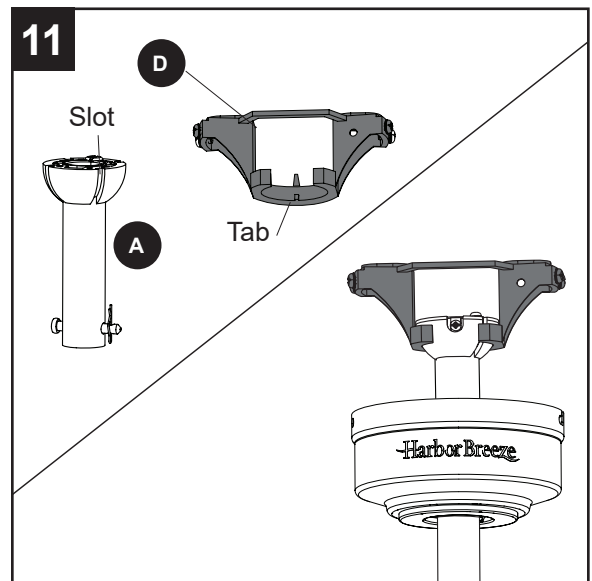
10. If you decided to cut back the lead wire in Step 9, strip 1/2 in. of insulation from the end of the white wire. Twist the stripped ends of each strand of wire within the insulation with pliers (not included). Repeat this step for the black wire.

Note: If you did not cut back the lead wires in Step 9, Step 10 is not necessary and you may proceed to Step 11.



11. Install the ball end of the downrod (A) into the opening of mounting bracket (D). Align one of the four slots in the ball with the tab in the mounting bracket (D). **Note:** The downrod (A) should not rotate if installed correctly.

⚠ DANGER: Failure to align the slot in the downrod (A) with the tab of the mounting bracket (D) may cause the fan to wobble or fall, which could result in serious injury or death.



WIRING

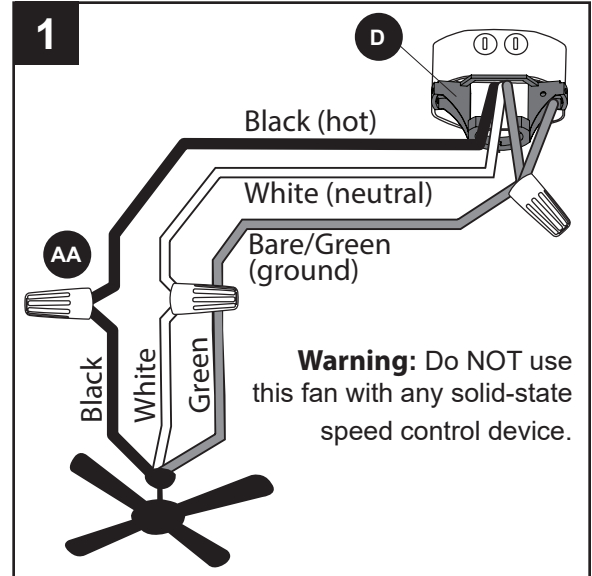
⚠ WARNING: To reduce the risk of fire, electrical shock or personal injury, wire connectors provided with this fan are designed to accept only one 12-gauge house wire and two lead wires from the fan. If your house wire is larger than 12-gauge and there is more than one house wire to connect to the two fan lead wires, consult an electrician for the proper size wire connectors to use.

CAUTION: Be sure the outlet box is properly grounded or that a ground (green or bare) wire is present.

1. Connect household supply and fan wires according to the diagram and these steps:

- Connect the Green wire from downrod (A) and mounting bracket (D) to the Bare/Green supply wire.
- Connect the White wire from the fan to the White supply wire.
- Connect the Black wire from the fan to the Black supply wire.
- Secure all wiring connections together with wire connectors (AA).

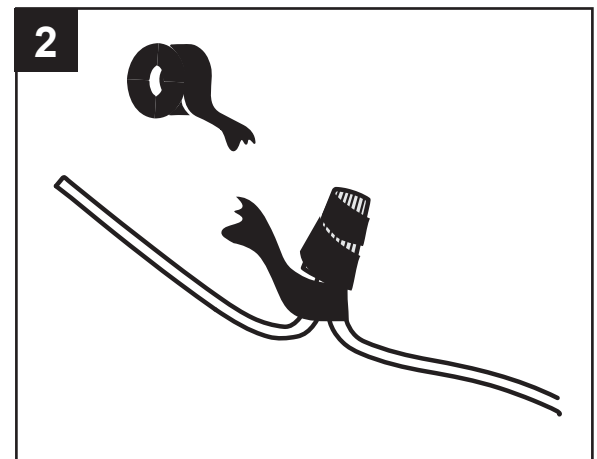
Note: The Black wire is hot power for the fan. The White wire is common for the fan and light kit. The Green wire is the ground wire. If household supply wires are different colors than referred to above, it is recommended a professional electrician determines the proper wiring.



Hardware Used

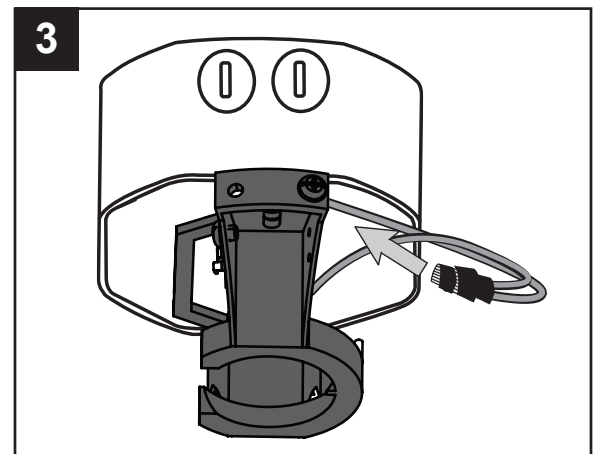
AA Wire Connector x 3

2. Wrap electrical tape (not included) around each individual wire connector (AA) down to the wire.



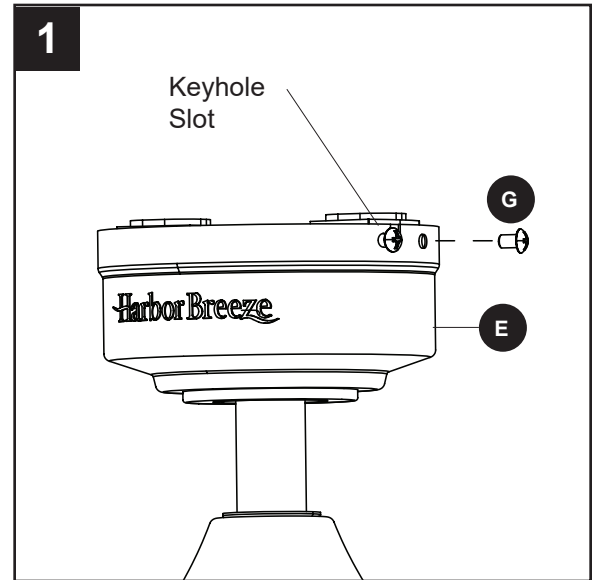
3. Turn the spliced/taped wires upward and gently push the wires and wire connectors (AA) into the outlet box.

⚠ WARNING: Ensure no bare wire or wire strands are visible after making connections. Place the Green and White wire connections on the opposite side of the outlet box from the Black wire connections.

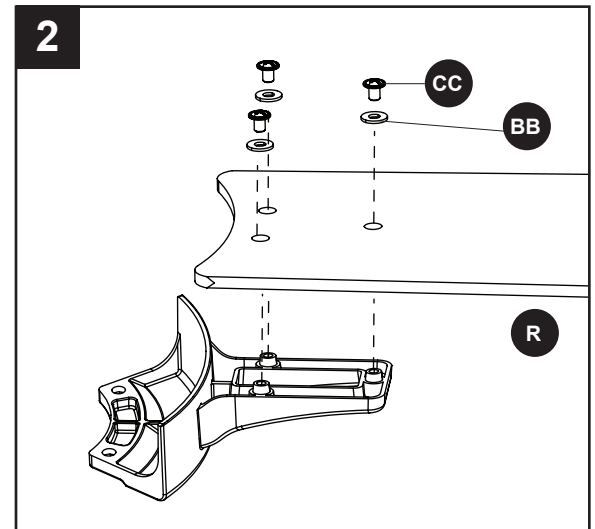


FINAL INSTALLATION

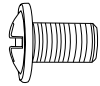

1. Align the canopy (E) over the loosened mounting bracket screws (G) preassembled on mounting bracket (D). Place the keyhole slot of the canopy (E) onto the mounting bracket screws (G) and rotate the canopy (E) clockwise. Secure the canopy (E) with the mounting bracket screws (G) previously removed (Step 4, page 8). Tighten all mounting bracket screws (G) securely.



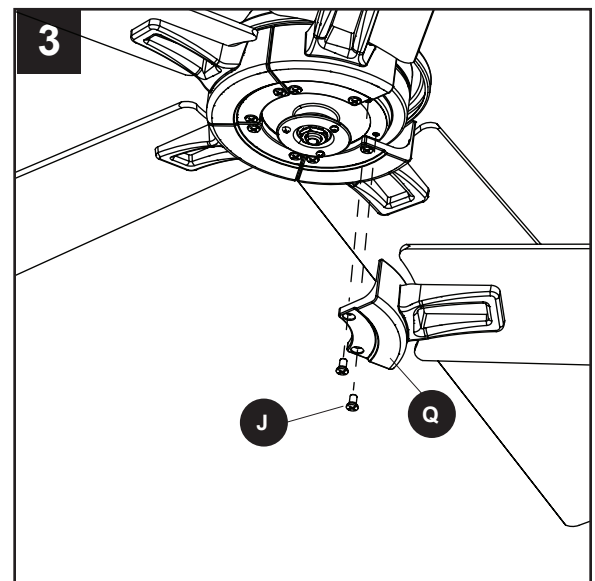
2. Partially insert the blade screws (BB) along with the blade washers (CC) through the blade (S) and into the blade arm (R). Tighten each blade screw (BB) with a Phillips screwdriver (not included), starting with the one in the middle. Repeat this step for the remaining blades (S) and blade arms (R).



Hardware Used

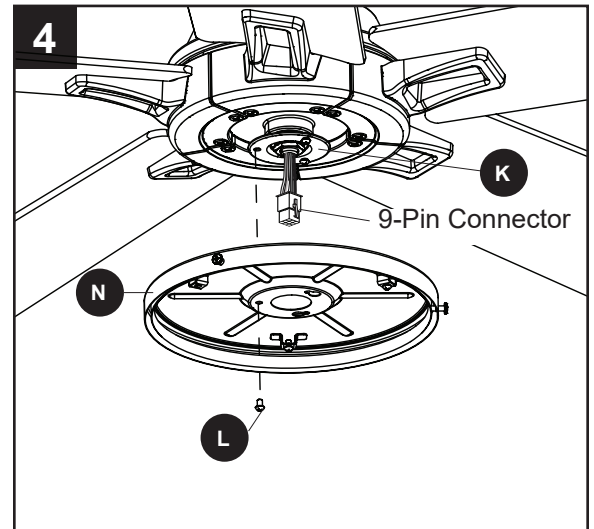
BB	Blade Screw		x 12
CC	Blade Washer		x 12

3. Install the blade arm (Q) to the underside of the motor assembly (I) with motor screws (J) previously removed (Step 6, page 8). Tighten with Phillips screwdriver (not included). Repeat for each blade arm (Q).

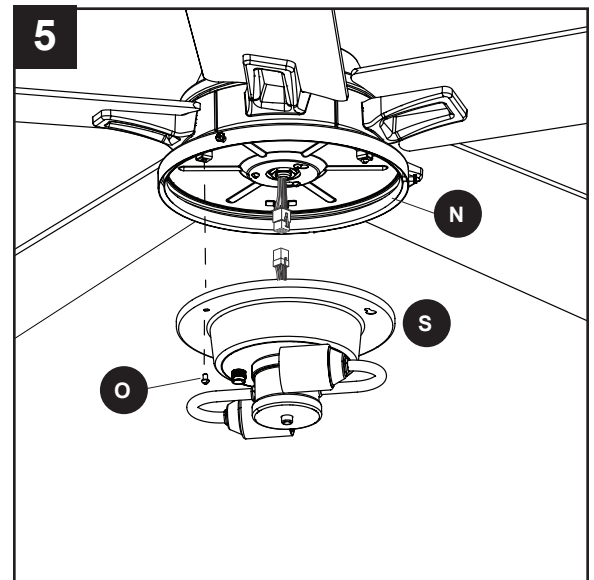


FINAL INSTALLATION

4. Remove one and loosen the other two fitter plate screws (L) but do not remove from fitter plate (K). Feed the 9-pin connector through center hole in light pan. Align the two key slots in the light pan (N) with the loosened fitter plate screws (L). Place the light pan (N) over the two screws and turn the light pan (N) clockwise. Then tighten the two fitter plate screws (L). Re-install the previously removed fitter plate screw (L) and tighten firmly.



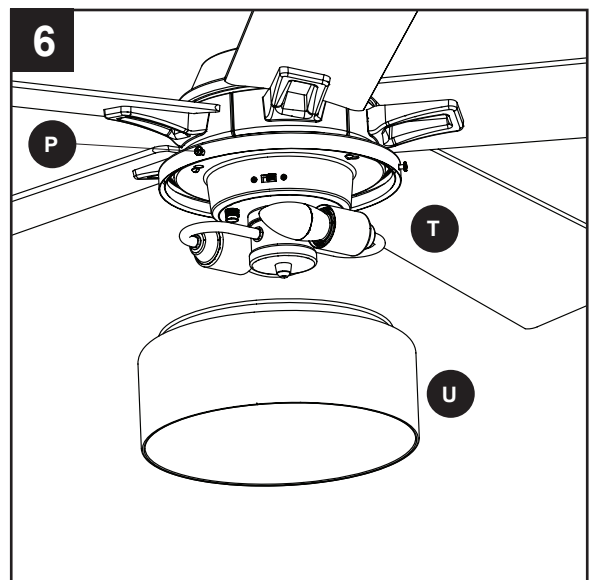
5. Remove one and loosen the other two light pan screws (N) from the underside of the light pan (N). Connect the 9-pin connector from the fan to the 9-pin connector from the light kit (S). Align the key slot in the light kit (S) with the loosened screws in the light pan (N). Turn light kit (S) clockwise and replace the previously removed light pan screw (O). Tighten all screws.



6. Install the E26-base LED bulbs into the sockets of the light kit.

Important: Make sure you allow the bulbs and light kit to cool before you replace the bulbs.

Loosen the three thumbscrews (P) near the edge of the light pan (N). Lift the glass bowl (U) into the light pan (N) and retighten the previously loosened thumbscrews (P) to secure.



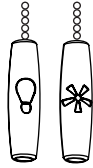
FINAL INSTALLATION

- Attach the pull chain extensions (DD) or custom pull chain extensions (not included) to the fan and light pull chains. **Note:** When facing the reverse switch, the fan pull chain is on the right and the light pull chain is on the left.

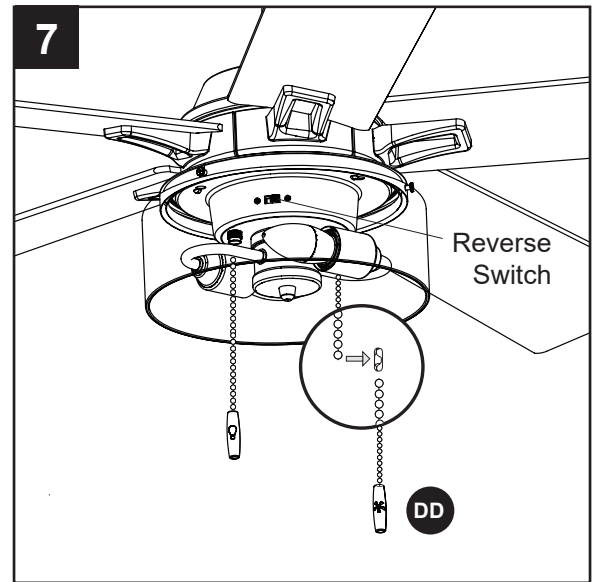
Hardware Used

DD

Pull Chain Extension

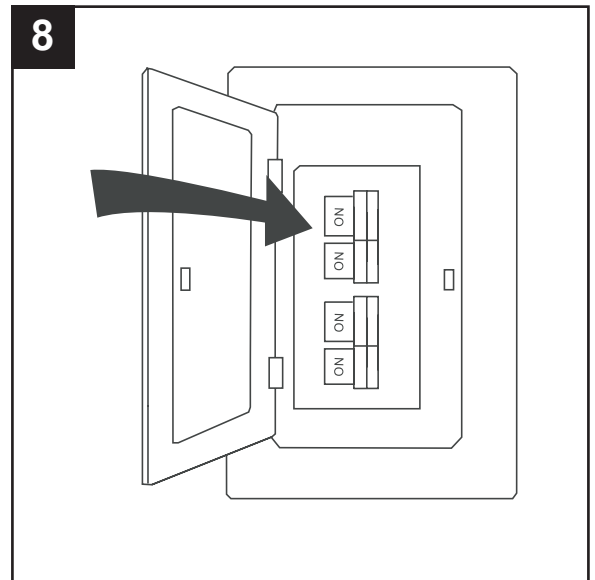


x 2



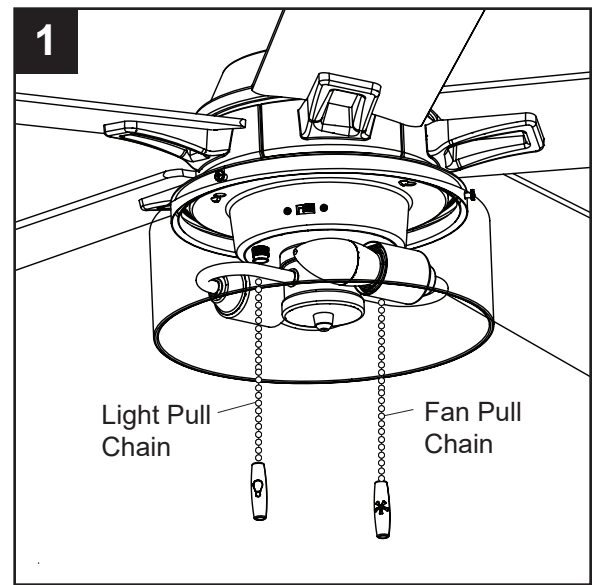
- Turn on power supply to the fan.

Assembly is complete.



OPERATING INSTRUCTIONS

1. The fan pull chain has four positions to control fan speed. One pull is HIGH, two is MEDIUM, three is LOW and four turns the fan OFF. The light pull chain has two positions -- OFF and ON.

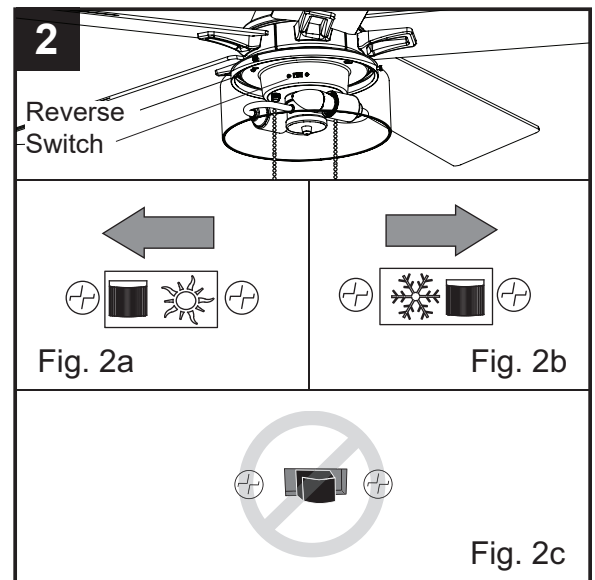


2. Using a ceiling fan will allow you to raise your thermostat setting in summer and lower your thermostat setting in winter without feeling a difference in your comfort.

In warmer weather, push the reverse switch left to display a sun icon, which will result in downward airflow creating a wind chill effect (Fig. 2a).

In cooler weather, push the reverse switch right to display a snowflake icon, which will result in upward airflow that can help move hot air off the ceiling area (Fig. 2b).

Important: The reverse switch must be set either completely left or right for the fan to function correctly. If the reverse switch is set in the middle position, the fan will not operate (Fig. 2c).



CARE AND MAINTENANCE

At least twice each year, lower the canopy to check the downrod assembly, and then tighten all screws on the fan. Clean the motor housing with only a soft brush or lint-free cloth to avoid scratching the finish. Clean the blades with a lint-free cloth.

Bulb Replacement: Use 60-watt max. E26-base LED bulbs or CFL equivalents. Halogen bulbs are not recommended for this item.

Important: Shut off the main power supply before you begin any maintenance tasks. Do not use water or a damp cloth to clean the ceiling fan.

TROUBLESHOOTING

PROBLEM	POSSIBLE CAUSE	CORRECTIVE ACTION
The fan does not move.	<ol style="list-style-type: none"> 1. The reverse switch is not engaged. 2. The wall switch is turned off. 3. The power is off or the fuse (breaker) is blown. 4. There is a faulty wire connection. 	<ol style="list-style-type: none"> 1. Firmly push the reverse switch completely left or right. 2. Make sure the wall switch is turned on. 3. Turn the power on or check the fuse (breaker). 4. Turn the power off and check all connections at the ceiling outlet box.
The fan operates correctly, but the lights are not working.	<ol style="list-style-type: none"> 1. The light kit wire plugs are not connected properly. 2. There is a faulty wire connection. 	<ol style="list-style-type: none"> 1. Ensure the 9-pin connectors in the light kit are connected properly. 2. Turn the power off and check all connections at the ceiling outlet box.
The fan is noisy.	<ol style="list-style-type: none"> 1. The blades are loose. 2. There is a cracked blade. 3. The wall control is not compatible with the fan. 4. The outlet box is not secure. 5. The mounting bracket is not secure. 	<ol style="list-style-type: none"> 1. Check and tighten all screws that hold the fan blades to the blade arms and the motor. 2. Replace the cracked blade. 3. Do not use a full range dimmer switch to control the fan speed. 4. Ensure the outlet box is secured to the building structure. 5. Ensure the mounting bracket is secured to the outlet box and that the screws are tight.

TROUBLESHOOTING

PROBLEM	POSSIBLE CAUSE	CORRECTIVE ACTION
There is excessive wobbling.	<ol style="list-style-type: none">1. The blades and/or blade arms are loose.2. The blades are unbalanced.3. The fan mounting is not secure.4. The fan is too close to the vaulted ceiling.5. The set screw on the motor housing yoke is loose.	<ol style="list-style-type: none">1. Check and tighten all screws that hold the fan blades to the blade arms and the blade arms to the motor.2. Switch one blade with a blade from the opposite side. Or balance the fan using a blade balancing kit (sold separately).3. Turn off the power. Loosen the canopy and verify that the mounting bracket is secure to the electrical outlet box. The bracket must be flush without movement against the outlet box.4. Use a longer downrod (sold separately) or move the fan to another location.5. Lift the yoke cover and tighten the set screw to the yoke until secure.

LIMITED LIFETIME WARRANTY

The manufacturer warrants this fan to be free from defects in workmanship and materials present at time of shipment from the factory for a lifetime from the date of purchase by the original purchaser. The retailer also warrants that all other fan parts, excluding any glass or plastic blades, to be free from defects in workmanship and material at the time of shipment from the factory for a period of one year after the date of purchase by the original purchaser. The manufacturer agrees to correct such defects without charge or at its option replace the ceiling fan with a comparable or superior model.

To obtain warranty service, present a copy of the receipt as proof of purchase. All costs of removing and reinstalling the product are your responsibility. Any damage to any part such as by accident or misuse or improper installation or by affixing any accessories, is not covered by this warranty. The manufacturer assumes no responsibility whatsoever for fan installation during the limited lifetime warranty. Any service performed by an unauthorized person will render the warranty invalid.

Due to varying climate conditions, this warranty does not cover any changes in brass finish, including rusting, pitting, corroding, tarnishing or peeling. Brass finishes of this type give their longest useful life when protected from varying weather conditions. Any glass provided with this fan is not covered by the warranty.

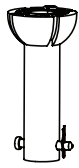
Any replacement of defective parts from the ceiling fan must be reported within the first year from the date of purchase. For the balance of the warranty, call our customer service department for return authorization and shipping instructions so that we may repair or replace the ceiling fan. Any fan or parts returned improperly is the sole responsibility of the purchaser. There is no other expressed warranty. The manufacturer disclaims any and all warranties. The duration of any implied warranty which cannot be disclaimed is limited to the time period as specified in the expressed warranty. The manufacturer shall not be liable for incidental, consequential, or special damages arising out of or in connection with product use or performance except as may otherwise be accorded by law. This warranty gives specific legal rights, and you may also have other rights which vary from state to state.

This warranty supersedes all prior warranties.

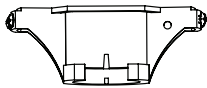
Note: A small amount of “wobble” is normal and should not be considered a defect.

REPLACEMENT PARTS LIST

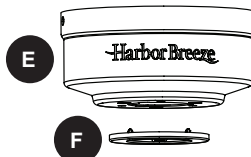
For replacement parts, call the customer service department at 1-888-251-1003, 8 a.m. - 8 p.m., EST, Monday - Sunday. You could also contact us at partsplus@lowes.com or visit www.lowespartsplus.com.



A



D

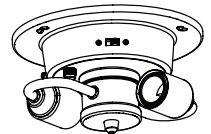


E

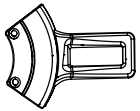
F



M



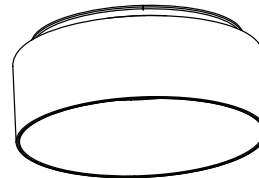
S



Q



R



U



HW

PART	DESCRIPTION	#1058358	#1059424
A	Downrod	4L000013820	4L000007500
D	Mounting Bracket	4L000006350	4L000006410
E	Canopy	4L000013350	4L000007150
F	Canopy Cover	4L000010400	4L000000830
M	Yoke Cover	4A000009350	4A000005540
Q	Blade Arm (x5)	4L074440001	4L074440002
R	Blade (x5)	4L086120001	4L086120001
S	Light Kit	4L000014970	4L000014960
U	Glass Bowl	4L167540001	4L167540001
HW	Hardware Kit	4L000015000	4L000015010