

IMPORTANT MANUAL Do Not Throw Away

SEARS

Operator's Manual

Model No.
358.797922-32cc
358.797950-22cc
358.797982-32cc
358.797961-22cc
358.797990-32cc

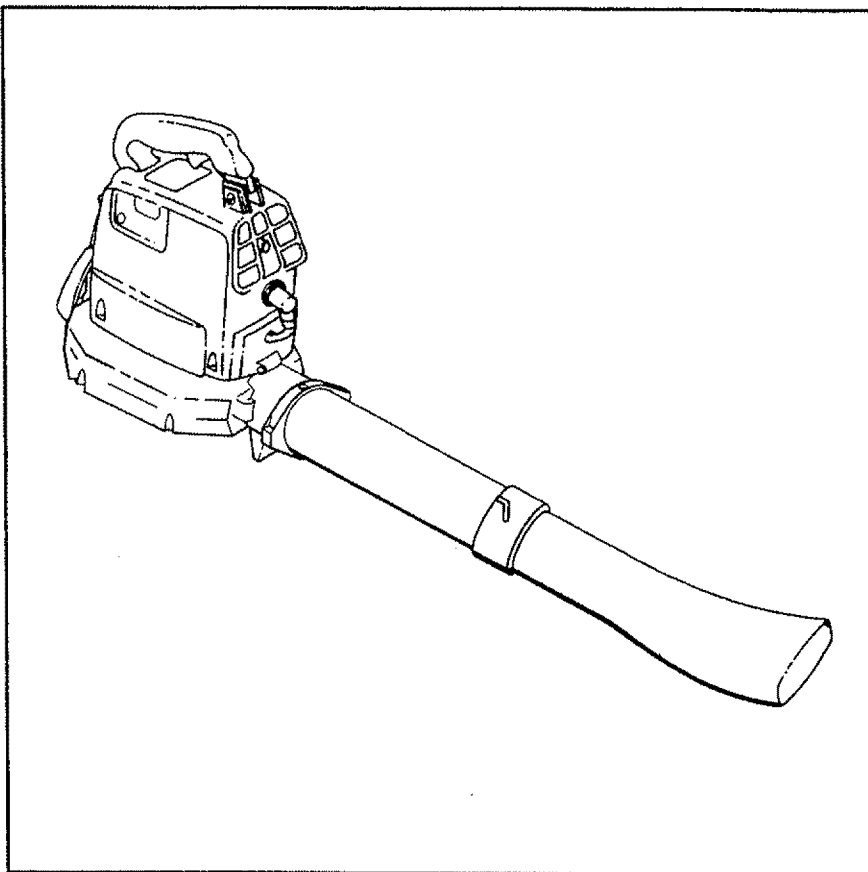
CUSTOMER ASSISTANCE
1-800-235-5878

Hours (CST)
Mon - Sat 7 a.m. - 7 p.m.
Sun 10 a.m. - 7 p.m.



DANGER

READ THE OPERATOR'S MANUAL AND FOLLOW ALL WARNINGS AND SAFETY INSTRUCTIONS. FAILURE TO DO SO CAN RESULT IN SERIOUS INJURY.



Always Wear Eye Protection

CRAFTSMAN®

22cc/32cc 2-CYCLE ENGINE **155/170 Air Velocity** **GASOLINE BLOWER**

- Assembly
- Operation
- Customer Responsibilities
- Service Adjustments
- Repair Parts
- Table of Contents – Inside Back Cover

Sears, Roebuck and Co., Hoffman Estates, IL 60179 U.S.A.

SAFETY RULES



CAUTION: ALWAYS DISCONNECT SPARK PLUG WIRE AND PLACE WIRE WHERE IT CANNOT CONTACT SPARK PLUG TO PREVENT ACCIDENTAL STARTING WHEN SETTING UP, TRANSPORTING, ADJUSTING OR MAKING REPAIRS.

OPERATOR SAFETY

- Always wear eye protection to prevent rocks or debris from being blown or ricocheting into eyes and face which can result in blindness and/or other serious injury.
- Always wear a respirator or facemask when working with the unit in dusty environments.
- Always wear heavy, long pants, boots, and gloves (To avoid shock of static electricity, do not wear rubber gloves). Do not go barefoot or wear short pants, sandals, jewelry, loose clothing, or clothing with loosely hanging straps, ties, tassels, etc.; they can be caught in moving parts. Secure hair so it is above shoulder length.
- Do not operate this unit when you are tired, ill, or under the influence of alcohol, drugs, or medication.
- Keep children, bystanders, and animals away from the work area at a minimum of 30 feet when starting or operating the unit.
- Inspect the area before starting the unit. Remove all debris and hard objects such as rocks, glass, wire, etc. that can ricochet, be thrown, or otherwise cause injury or damage during operation.

UNIT/MAINTENANCE SAFETY

- Have all maintenance other than the recommended procedures described in the Operator's Manual performed by your Sears Service Center.
- Disconnect spark plug before performing maintenance except for carburetor adjustment.
- Use only genuine replacement parts as recommended by Sears to avoid creating a hazard and/or voiding your warranty.
- Check air intake openings, blower tubes, elbow tube, and vacuum tubes frequently, always with the engine stopped. Keep vents and tubes free of debris which can accumulate and restrict proper air flow.
- Do not use an accessory and/or attachment other than those recommended by Sears with your unit.

FUEL SAFETY

- Mix and pour fuel outdoors.
- Keep away from sparks or flames.
- Use a container approved for fuel.
- Do not smoke or allow smoking near fuel or the unit or while using the unit.
- Wipe up all fuel spills before starting engine.
- Move at least 10 feet (3 meters) away from fueling site before starting engine.
- Stop engine and allow unit to cool before removing fuel cap.

OPERATION SAFETY

- Stop the engine before opening the vacuum inlet door or attempting to insert or remove the vacuum tubes. The engine must be stopped and the impeller blades

no longer turning to avoid serious injury from the rotating blades.

- Inspect the entire unit before each use for worn, loose, missing, or damaged parts. Do not use until the unit is in proper working order.
- Keep the outside surfaces free of oil and fuel.
- Never start or run unit inside a closed room or building. Breathing exhaust fumes can kill.
- Never use for spreading chemicals, fertilizers, or any other material which may contain toxic substances.
- Do not set the unit on any surface except a clean, hard area to start the engine or while the engine is running. Debris such as gravel, sand, dust, grass, etc. could be picked up by the air intake and thrown out through the discharge opening, damaging the unit, property, or causing serious injury to bystanders or the operator.
- Avoid dangerous environments. Do not use in unventilated areas or where explosive vapors or carbon monoxide build up could be present.
- Avoid situations which could set the vacuum bag on fire. Do not vacuum discarded cigars or cigarettes or ash from fireplaces, barbecue pits, brush piles, etc. To avoid spreading fire, do not use blower near leaf or brush fires, fireplaces, barbecue pits, ashtrays, etc.
- Do not overreach or use from unstable surfaces such as ladders, trees, steep slopes, rooftops, etc. Use extra care when cleaning on stairways. Keep firm footing and balance at all times.
- Never place objects inside the blower tubes; always direct the blowing debris away from people, animals, glass, and solid objects such as trees, automobiles, walls, etc. The force of air can cause rocks, dirt, or sticks to be thrown or to ricochet which can hurt people or animals, break glass, or cause other damage. Do not allow the unit to be used as a toy.
- Never place any object in the air intake opening as this could restrict proper air flow and cause damage to the unit.
- Never run unit without the proper equipment attached. When used as a blower, always install a blower tube. When used as a vacuum, always install vacuum tubes and vacuum bag assembly.
- Use only for jobs explained in this manual.

TRANSPORTING AND STORAGE

- Stop the unit before transporting.
- Allow the engine to cool, and secure the unit before storing or transporting in a vehicle.
- Empty the fuel tank before storing or transporting the unit. Use up any fuel left in the carburetor by starting the engine and letting the engine run until it stops.
- Store unit and fuel in an area where fuel vapors cannot reach sparks or open flames from water heaters, electric motors or switches, furnaces, etc.
- Store the unit out of the reach of children.

SAFETY NOTICE

Exposure to vibrations through prolonged use of gasoline powered hand units could cause blood vessel or nerve damage in the fingers, hands, and wrists of people prone to circulation disorders or abnormal swellings. Prolonged use in cold weather has been linked to blood vessel damage in otherwise healthy people. If symptoms occur such as numbness, pain, loss of strength, change in skin color or texture, or loss of feeling in the fingers, hands or wrists, discontinue the use of this unit and seek medical attention. An anti-vibration system does not guarantee the avoidance of these problems. Users who operate power tools on a continual and regular basis must monitor closely their physical condition and the condition of this unit.



LOOK FOR THIS SYMBOL TO POINT OUT IMPORTANT SAFETY PRECAUTIONS. IT MEANS — ATTENTION!!! BECOME ALERT!!! YOUR SAFETY IS INVOLVED.

SAFETY RULES

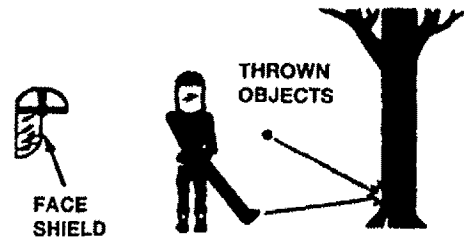


WARNING

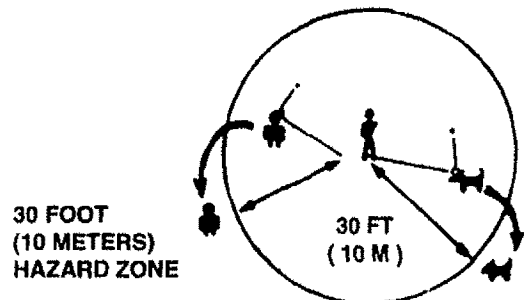
THIS POWER UNIT CAN BE DANGEROUS! THIS UNIT CAN CAUSE SERIOUS INJURY OR BLINDNESS TO THE OPERATOR AND OTHERS. THE WARNINGS AND SAFETY INSTRUCTIONS IN THIS MANUAL MUST BE FOLLOWED TO PROVIDE REASONABLE SAFETY AND EFFICIENCY IN USING THIS UNIT. THE OPERATOR IS RESPONSIBLE FOR FOLLOWING THE WARNINGS AND INSTRUCTIONS IN THIS MANUAL AND ON THE UNIT. READ THE ENTIRE OPERATOR'S MANUAL BEFORE ASSEMBLING AND USING THIS UNIT! RESTRICT THE USE OF THE POWER UNIT TO PERSONS WHO READ, UNDERSTAND AND FOLLOW THE WARNINGS AND INSTRUCTIONS IN THIS MANUAL AND ON THE UNIT.

THIS UNIT IS DESIGNED FOR BLOWER AND VACUUM USE ONLY. NEVER USE ANY OTHER ATTACHMENTS WITH THIS UNIT EXCEPT THE OPTIONAL GUTTER ATTACHMENT.

BLOWER CAN THROW OBJECTS VIOLENTLY. YOU CAN BE BLINDED OR INJURED. WEAR EYE AND LEG PROTECTION.



THIS IS THE HAZARD ZONE FOR BLOWN OBJECTS. BLOWER CAN THROW OBJECTS VIOLENTLY. OTHERS CAN BE BLINDED OR INJURED. KEEP PEOPLE AND ANIMALS 30 FEET (10 METERS) AWAY.



READ OPERATOR'S MANUAL. FOLLOW ALL WARNINGS AND INSTRUCTIONS. FAILURE TO DO SO CAN RESULT IN SERIOUS INJURY.



OPERATOR'S
MANUAL

CONGRATULATIONS on your purchase of a Sears Craftsman Gasoline Blower. It has been designed, engineered and manufactured to give you the best possible dependability and performance.

Should you experience any problems you cannot easily remedy, please contact your nearest Sears Service Center/Department or Call the 1-800 number listed on the front of this manual. Sears has competent, well trained technicians and the proper tools to service or repair this unit.

Please read and retain this manual. The instructions will enable you to assemble and maintain your unit properly. Always observe the "SAFETY RULES."

MODEL NUMBERS:	358.797922 358.797950 358.797982 358.797961 358.797990
SERIAL NUMBER:	_____
DATE OF PURCHASE:	_____
THE MODEL AND SERIAL NUMBER WILL BE FOUND ON THE PRODUCT.	
YOU SHOULD RECORD BOTH SERIAL NUMBER AND DATE OF PURCHASE AND KEEP IN A SAFE PLACE FOR FUTURE REFERENCE.	

MAINTENANCE AGREEMENT

A Sears Maintenance Agreement is available on this product. Contact your nearest Sears Store for details.

CUSTOMER RESPONSIBILITIES

- Read and observe the safety rules.
- Follow a regular schedule in maintaining, caring for, and using your unit.
- Follow the instructions under "Customer Responsibilities" and "Storage" sections of this Operator's Manual.

PRODUCT SPECIFICATIONS

AIR VELOCITY	
358.797950/358.797961...	155mph
358.797922/358.797982	
358.797990.....	170mph
AIR VOLUME	
358.797950/358.797961...	350 cu. ft./min.
358.797922/358.797982	
358.797990.....	360 cu. ft./min.
ENGINE	
358.797950/358.797961..	22cc 2-cycle AIR-COOLED
358.797922/358.797982	
358.797990.....	32cc 2-cycle AIR-COOLED
ENGINE RPM	
Operating.....	7000-7600
Idle.....	3800-4600
FUEL/OIL MIX RATIO..... 40:1 (3.2oz. per gallon gas)	
IGNITION..... Solid State (air gap .010" to .014")	
IGNITION TIMING..... Non-adjustable, Fixed	
SPARK PLUG..... Champion (CJ-8Y)	
SPARK PLUG GAP..... .025"	

SPECIAL NOTICE

For users on U.S. Forest Land and in some states, including California (Public Resources Codes 4442 and 4443), Idaho, Maine, Minnesota, New Jersey, Oregon, and Washington: Certain internal combustion engines operated on forest, brush, and/or grass-covered lands in the above areas are required to be equipped with a spark arrestor, maintained in effective working order, or the engine must be constructed, equipped, and maintained for the prevention of fire. Check with your state or local authorities for regulations pertaining to these requirements. Failure to follow these requirements is a violation of the law. This unit is not factory-equipped with a spark arrestor; however, a spark arrestor is available as an optional part. If a spark arrestor is required in your area, contact your SEARS Service Center/Department for the correct kit.

MANUFACTURED UNDER ONE OR MORE OF THE FOLLOWING U.S. PATENTS: 5,269,665; 5,035,586; 4,674,146; 4,940,029; RE 33,050; 4,798,186; 4,402,106; D322,971. OTHER U.S. AND FOREIGN PATENTS PENDING.

FULL ONE YEAR WARRANTY ON SEARS BEST GAS BLOWER MODEL 358.797950 & 358.797961

For one year from the date of purchase, when this Gas Blower is maintained, lubricated and tuned-up according to the instructions in the owner's manual, Sears will repair, free of charge, any defect in material or workmanship.

This warranty excludes the blower tubes, spark plug, and air cleaner, which are expendable parts and become worn during normal use.

If this Blower is used for commercial purposes, this warranty applies for 90 days from the date of purchase. If this Blower is used for rental purposes, this warranty applies for 30 days from the date of purchase. This warranty applies only while this product is in use in the United States.

WARRANTY SERVICE IS AVAILABLE BY RETURNING THE BLOWER TO THE NEAREST SEARS SERVICE CENTER IN THE UNITED STATES.

This warranty gives you specific legal rights, and you may also have other rights which vary from state to state.

SEARS, ROEBUCK AND CO. DEPT. 817WA HOFFMAN ESTATES, IL 60179

FULL TWO YEAR WARRANTY ON SEARS BEST GAS BLOWER MODEL 358.797922, 358.797982 & 358.797990

For two years from the date of purchase, when this Gas Blower is maintained, lubricated and tuned-up according to the instructions in the owner's manual, Sears will repair, free of charge, any defect in material or workmanship.

This warranty excludes the blower tubes, spark plug, and air cleaner, which are expendable parts and become worn during normal use.

If this Blower is used for commercial purposes, this warranty applies for 90 days from the date of purchase. If this Blower is used for rental purposes, this warranty applies for 30 days from the date of purchase. This warranty applies only while this product is in use in the United States.

WARRANTY SERVICE IS AVAILABLE BY RETURNING THE BLOWER TO THE NEAREST SEARS SERVICE CENTER IN THE UNITED STATES.

This warranty gives you specific legal rights, and you may also have other rights which vary from state to state.

SEARS, ROEBUCK AND CO. DEPT. 817WA HOFFMAN ESTATES, IL 60179



HARDWARE CONTENTS

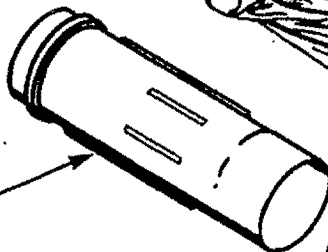
Parts packed separately in carton



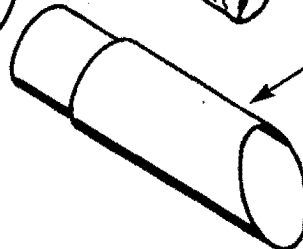
OPERATOR'S MANUAL



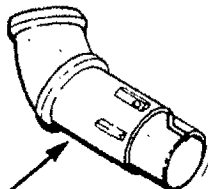
VACUUM BAG
358.797982, 358.797950
& 358.797990



UPPER VACUUM TUBE
358.797982, 358.797950
& 358.797990



LOWER VACUUM TUBE
358.797982, 358.797950
& 358.797990



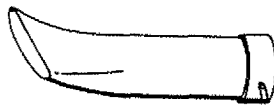
ELBOW TUBE
358.797982, 358.797950
& 358.797990



2-CYCLE ENGINE OIL



CONCENTRATOR NOZZLE
358.797950 & 358.797961 ONLY

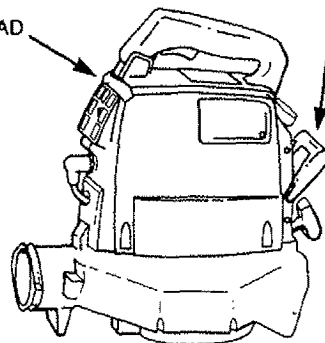


FLARE NOZZLE
358.797982/358.797990
ONLY



BLOWER TUBE

POWERHEAD



ASSIST HANDLE
358.797982, 358.797950
& 358.797990

TOOLS REQUIRED FOR ASSEMBLY

- Standard Screwdriver

TO REMOVE BLOWER FROM CARTON

- Remove loose parts included with Blower.
- Remove all packing material.
- Check carton thoroughly for additional loose parts.



ASSEMBLY

HOW TO ASSEMBLE YOUR BLOWER



WARNING

STOP THE ENGINE BEFORE OPENING THE VACUUM INLET DOOR OR ATTEMPTING TO INSERT OR REMOVE THE VACUUM TUBES. THE ENGINE MUST BE STOPPED AND THE IMPELLER BLADES NO LONGER TURNING TO AVOID SERIOUS INJURY FROM THE ROTATING BLADES

BLOWER TUBE ASSEMBLY (Fig 1)

- Locate the two locking tabs on the side of the blower tube.
- Align the grooves on the nozzle with the locking tabs on the blower tube and push the nozzle onto the blower tube
- Turn the nozzle clockwise until the parts snap into place and are firmly tightened.
- Align grooves on the blower tube with locking tabs in the blower outlet (inset) and push the blower tube into the blower outlet.
- Turn the blower tube clockwise until the parts snap into place and are firmly tightened.

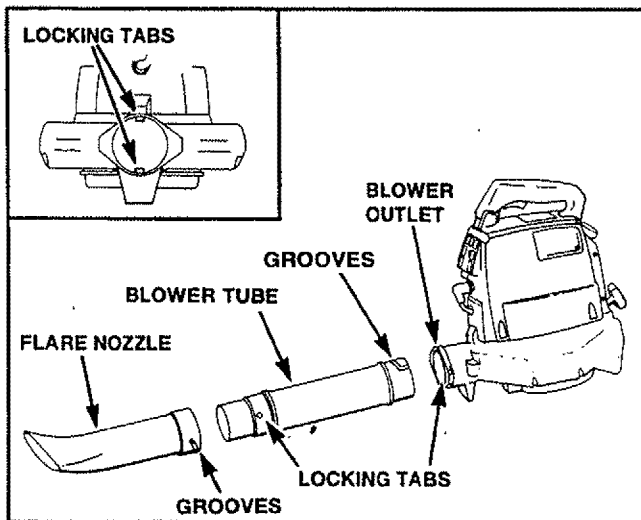


Figure 1

VACUUM BAG ASSEMBLY (Fig 2 & 3)

- Open the zipper on the large end of the vacuum bag.
- Insert the elbow tube, grooved end first, through the zipper opening in the vacuum bag. Then, push the grooved end of the elbow tube through the vacuum bag tube opening in the other end of the vacuum bag. Make sure the vacuum bag tube opening is flush against the tube flange.
- Close the zipper on the vacuum bag. Make sure the zipper is closed completely and the zipper seam is tucked toward the inside of the vacuum bag.

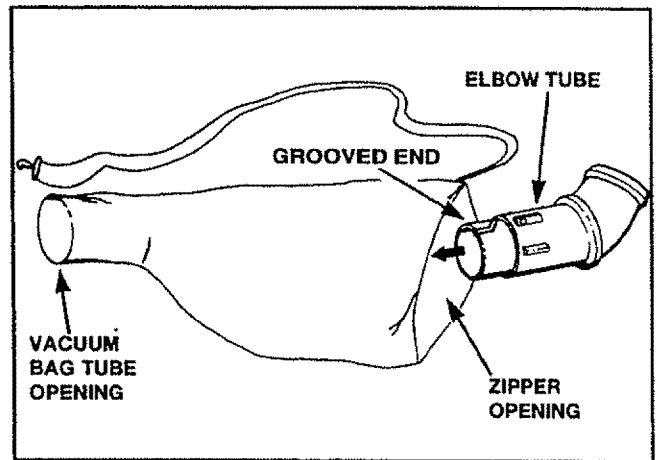


Figure 2

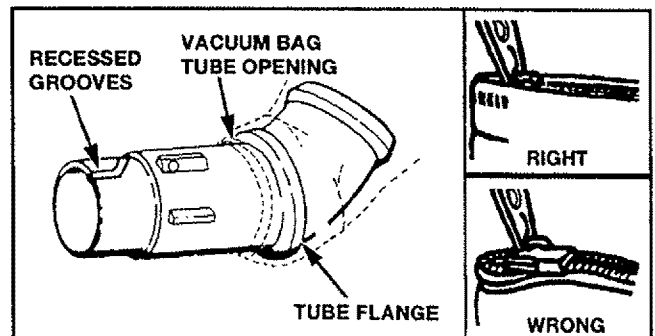


Figure 3

ASSEMBLY

VACUUM TUBE ASSEMBLY

(Fig 4, 5, 6, & 7)

- Remove the blower tube from the engine. Page 6.
 - Set the unit, blower outlet up, on a flat surface. Open the vacuum inlet cover as follows:
 - Insert a screwdriver into latch area.
 - Gently twist the tip of the screwdriver and open the vacuum inlet cover with your other hand.
 - Hold open vacuum inlet cover and align the grooves on the upper vacuum tube with the locking tabs inside the vacuum inlet. Insert the upper vacuum tube and turn clockwise until parts snap together.
 - Assemble the vacuum tubes by aligning the slanted end of the lower vacuum tube with the blower outlet as shown. Push the two tubes together until they are snug.
- NOTE:** The bottom end of the lower vacuum tube is cut at an angle. Make sure slanted end of vacuum tube is aligned with blower outlet.
- To attach the vacuum bag, align the grooves on the elbow tube with the locking tabs inside the blower outlet. Be sure to align the dot on the elbow tube with the dot on the blower housing. Insert elbow tube into blower outlet; twist elbow tube counterclockwise until parts snap together.
 - Adjust the vacuum bag at the elbow tube to remove any twists.

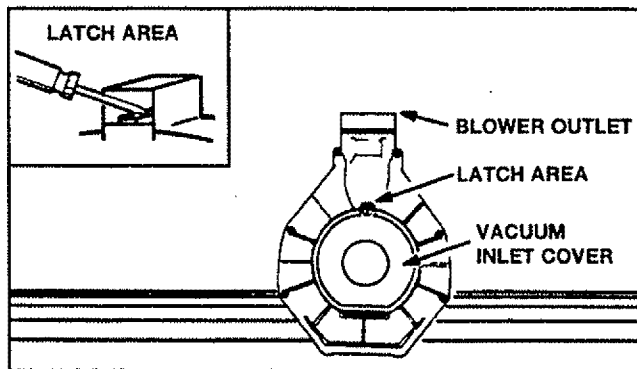


Figure 4



Figure 5

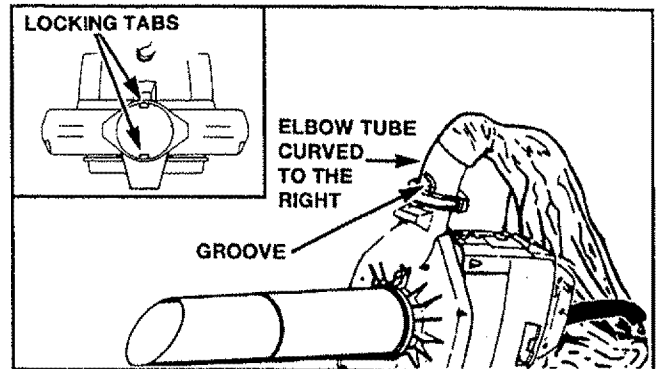


Figure 6

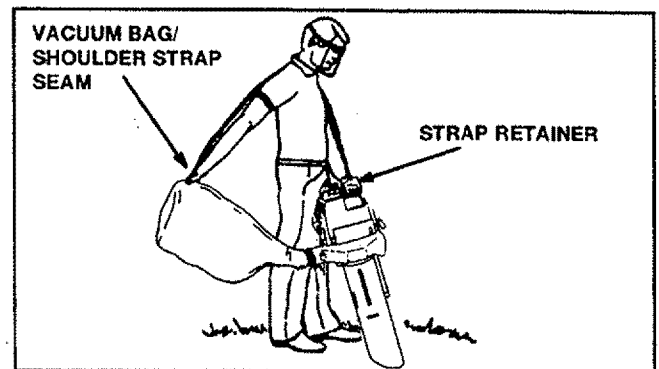


Figure 7

SHOULDER STRAP ADJUSTMENT (Fig 7)

- With your left hand hold the unit in an upright position, supporting the lower vacuum tube on the ground. Make sure the blower outlet and vacuum bag are positioned on your right-hand side.
- Place vacuum bag strap around your back and over your left shoulder. Snap vacuum bag hook onto the strap retainer in the top handle.
- Extend your right arm toward the rear of the vacuum bag.
- Adjust the shoulder strap until the vacuum bag/shoulder strap seam lies between your thumb and index finger.
- Make sure the shoulder strap is adjusted to allow a free flow of air from the elbow tube. If the vacuum bag is kinked, the unit will not operate properly.

BLOWER CONVERSION

- Stop the engine. Allow the engine to cool.
- Remove the vacuum tubes and vacuum bag assembly.
- Secure the vacuum inlet cover. Make sure that the latch on the vacuum inlet cover is securely fastened.
- Reinstall the blower tubes as shown in the "Blower Tube Assembly" section.

CHECK LIST

- Check all fasteners. Make sure they are tight and there are no loose parts.

OPERATION

KNOW YOUR BLOWER (Fig 8)

READ THIS OPERATOR'S MANUAL AND SAFETY RULES BEFORE OPERATING YOUR BLOWER. Compare the illustrations with your unit to familiarize yourself with the location of the various controls and adjustments. Save this manual for future reference.

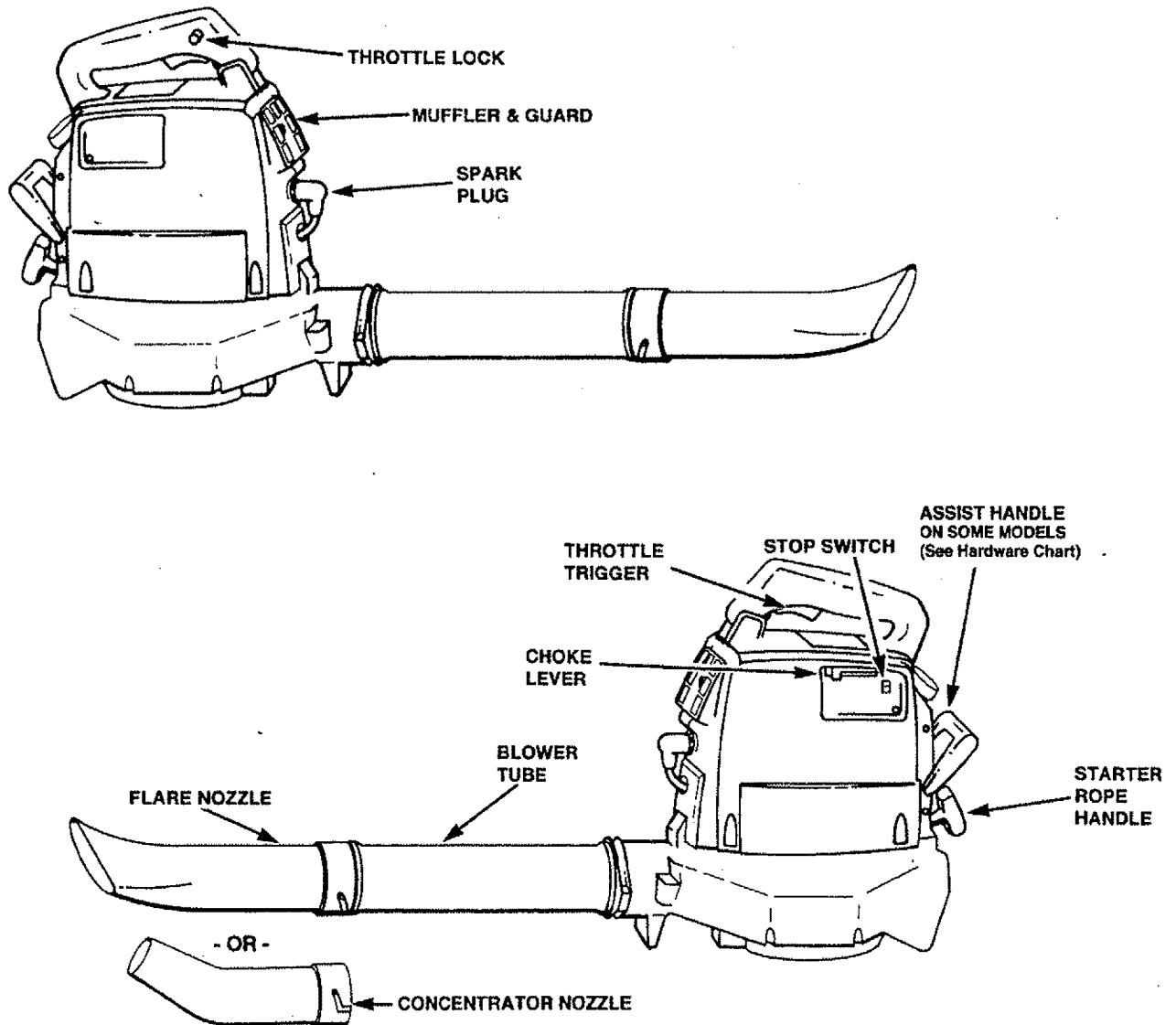


Figure 8

The CHOKER LEVER is used for starting a cold engine.

The STARTER ROPE HANDLE is used for starting the engine.

The THROTTLE LOCK is used to hold the throttle in the run position.

The THROTTLE TRIGGER controls engine speed.

The STOP SWITCH is used to stop the engine.

The CONCENTRATOR NOZZLE is used to concentrate the flow of air.

The FLARE NOZZLE is used to disperse the air flow over a wider area.

OPERATION – SAFETY

BLOWER SAFETY

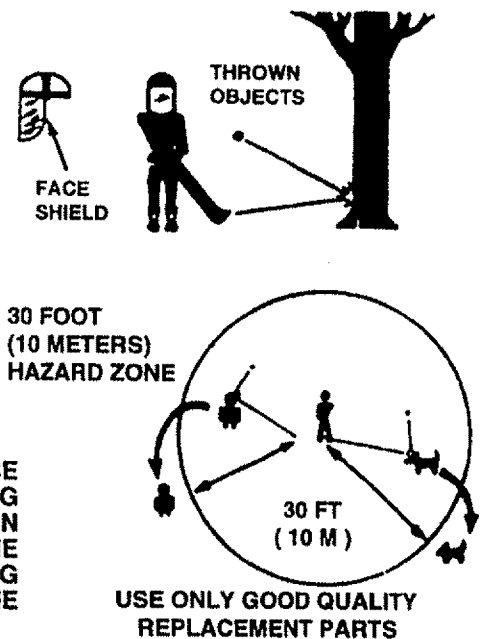


WARNING:

THE BLOWER CAUSES OBJECTS TO BE THROWN VIOLENTLY. THE OPERATOR MUST WEAR A SAFETY FACE SHIELD OR GOGGLES. ALWAYS WEAR HEAVY, LONG PANTS AND BOOTS. KEEP OTHERS AT LEAST 30 FEET (10 METERS) AWAY.

THIS UNIT WILL THROW OBJECTS. KEEP OTHERS INCLUDING CHILDREN, ANIMALS, BYSTANDERS AND HELPERS AT LEAST 30 FEET (10 METERS) AWAY FROM THE OPERATOR AND UNIT. STOP THE ENGINE IF YOU ARE APPROACHED. IN AREAS WHERE OTHER PEOPLE AND ANIMALS ARE PRESENT, SUCH AS NEAR SIDEWALKS, STREETS, HOUSES, ETC., IT IS STRONGLY RECOMMENDED THAT THE OPERATOR USE THE BUDDY SYSTEM; THAT IS, HAVE ANOTHER PERSON SERVE AS A "LOOK-OUT," KEEPING HIMSELF AND OTHERS AT LEAST 30 FEET (10 METERS) AWAY FROM THE OPERATOR.

DO NOT ASSEMBLE OR DISASSEMBLE THE VACUUM TUBE WHILE THE ENGINE IS RUNNING. INSERTING OR REMOVING THE VACUUM TUBE WHILE THE ENGINE IS RUNNING CAN RESULT IN SERIOUS INJURY. ALWAYS STOP THE ENGINE AND DISCONNECT THE SPARK PLUG BEFORE UNCLOGGING THE UNIT OR PERFORMING ANY MAINTENANCE ON THE VACUUM BAG.



OPERATOR SAFETY (Fig 9 & 10)

- Read your Operator's Manual. Make sure you completely understand and can follow all warnings and safety instruction in the manual before operating.
- Always wear a respirator or facemask when working in dusty environments.
- Always wear eye protection to prevent rocks or debris from being blown or ricocheting into eyes and face which can result in blindness or other serious injury.
- Always wear heavy, long pants, boots, and gloves. (To avoid shock of static electricity, do not wear rubber gloves). Do not go barefoot or wear short pants, sandals, jewelry, loose clothing, or clothing with loosely hanging straps, ties, tassels, etc. Secure hair so it is above shoulder length.

UNIT SAFETY

- Inspect the entire unit before each use. Replace damaged parts. Check for fuel leaks and make sure all fasteners are in place and securely fastened.
- Check air intake opening, blower tubes, vacuum tubes, and elbow tube frequently, always with engine stopped and spark plug disconnected. Keep vents and discharge tubes free of debris which can accumulate and restrict proper air flow.
- Never place objects inside blower tubes; always direct blowing debris away from people, animals, glass, and solid objects such as trees, automobiles, walls, etc. The force of air can cause rocks, dirt, or sticks to be thrown or to ricochet which may hurt people or animals, break glass, etc.
- Never run the unit without the proper equipment

attached. When using your unit as a blower always install blower tubes. When using your unit as a vacuum, always install vacuum tubes and vacuum bag assembly. Make sure vacuum bag assembly is completely zipped.

- When using the unit as a vacuum, always use the shoulder strap to avoid loss of control.
- Use only good quality accessories or attachments.

BLOWER/VACUUM SAFETY

- As a blower, the unit is designed to sweep debris, grass, straw, leaves, small twigs, or light snow. It can also be used for fast drying wet outdoor areas such as a patio, sidewalk, carport, etc. Never use for spreading or misting chemicals, fertilizers, or any other materials which may contain toxic substances.
- As a vacuum, the unit is designed to pick up dry material such as leaves, grass, small twigs, and bits of paper. Do not attempt to vacuum stones, gravel, metal, broken glass, or any other debris which may cause damage to the impeller. Do not attempt to vacuum water or any other liquids. Vacuuming water or other liquids will cause damage to the engine. Avoid situations that could catch the vacuum bag on fire. Do not operate near an open flame. Do not vacuum discarded cigars or cigarettes or ash from fireplaces, barbecue pits, brush piles, etc.
- Inspect area before starting engine. Remove all debris and objects such as rocks, glass, wire, large sticks, etc., that can cause damage during operation.
- Use the correct operating position. Do not overreach or use from unstable surfaces such as ladders, trees, steep slopes, roof tops, etc. Keep firm footing and balance at all times.

OPERATION

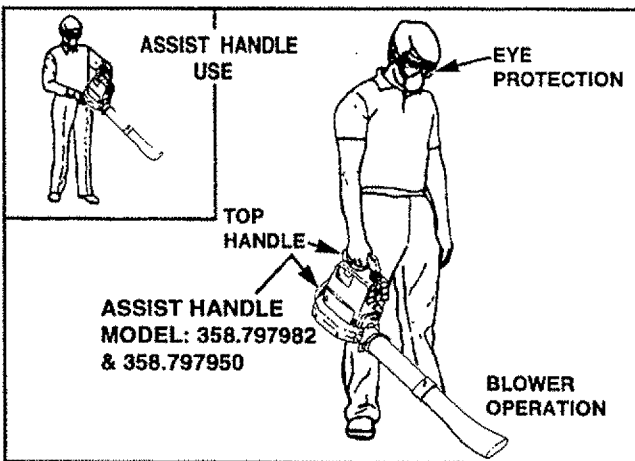


Figure 9

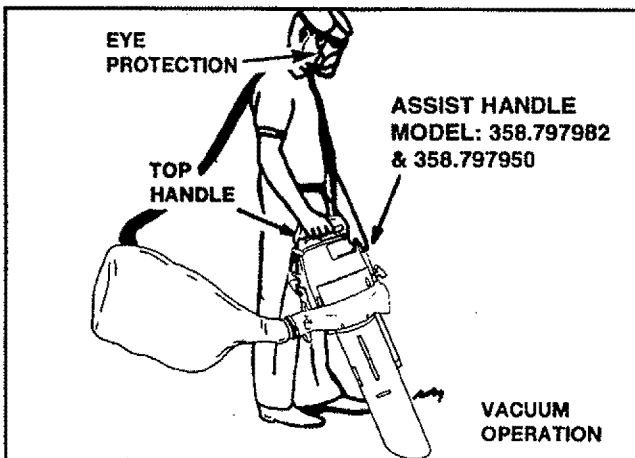


Figure 10



WARNING

DO NOT USE THE UNIT AS A BLOWER WITHOUT THE BLOWER TUBES PROPERLY ATTACHED TO AVOID FLYING DEBRIS AND/OR IMPELLER CONTACT WHICH CAN CAUSE SERIOUS INJURY.

ALWAYS WEAR EYE PROTECTION TO PREVENT ROCKS OR DEBRIS FROM BEING BLOWN OR RICOCHETING INTO THE EYES AND FACE WHICH CAN RESULT IN BLINDNESS OR SERIOUS INJURY.

DO NOT USE THE UNIT AS A VACUUM WITHOUT THE VACUUM TUBE AND VACUUM BAG PROPERLY ATTACHED TO AVOID FLYING DEBRIS AND/OR IMPELLER CONTACT WHICH CAN CAUSE SERIOUS INJURY. ALWAYS MAKE SURE THE VACUUM BAG IS COMPLETELY ZIPPED BEFORE THE ENGINE IS STARTED.

OPERATING / USE TIPS

OPERATING TIPS — BLOWER

- Always work going away from solid objects such as walls, trees, automobiles, and fences.
- Clean corners by starting in corners and moving outward to flat areas to prevent an accumulation of debris which could fly into face.
- Be careful when working near plants. The force of the air could damage tender plants.
- Direct air flow by directing the nozzle down or to one side.
- Vary the air flow by adjusting your grip on the throttle trigger.
- While using the models 358.797982 and 358.797950, use the assist handle located on the back of the unit when working above the waist or when a two-handed grip is desired.
- Uses For Your Blower:
 - Sweeping debris or grass clippings from driveways, sidewalks, patios, parks, parking lots, barns, stadiums, etc.
 - Blowing grass clippings, straw, or leaves into piles.
 - Fast drying wet outdoor areas such as a patio.
 - Removing debris from corners, around joints, and between bricks.
 - Blowing light snow from driveways, sidewalks, or patios.

OPERATING TIPS — VACUUM

- When using your unit as a vacuum, best results are achieved when the unit is operated at full throttle. Engage the throttle lock before beginning vacuuming procedures.
- Move the unit slowly back and forth over debris to be vacuumed. Avoid forcing the vacuum tube into a pile of debris as this can clog the unit.
- The vacuum can pick up objects that are too big to pass through the impeller. This type of object will fall out of the vacuum tubes when the engine is stopped.
- If the unit becomes clogged:
 - Stop the engine and disconnect the spark plug wire. Do not attempt to remove obstructions with the engine running.
 - Wait until the impeller has completely stopped turning, then remove the vacuum tube.
 - Carefully reach into the vacuum opening and clear out debris.
- The vacuum bag must be properly emptied and maintained to avoid deterioration and obstruction of air flow which will reduce the performance of the vacuum.
 - Empty the vacuum bag after each use.
 - Remove the vacuum bag/elbow from the unit by turning it in a clockwise direction. Do not store vacuum bag containing leaves, grass, etc.
 - Wash the vacuum bag once a year as follows:
 - Turn the vacuum bag inside out.
 - Hang it up.
 - Thoroughly hose it down.
 - Let vacuum bag hang until dry.

OPERATION

BEFORE STARTING ENGINE:



WARNING:

BE SURE TO READ THE FUEL SAFETY INFORMATION IN THE SAFETY RULES SECTION ON PAGE 2 OF THIS MANUAL BEFORE YOU BEGIN.

IF YOU DO NOT UNDERSTAND THE FUEL SAFETY SECTION DO NOT ATTEMPT TO FUEL YOUR UNIT; SEEK HELP FROM SOMEONE THAT DOES UNDERSTAND THE FUEL SAFETY SECTION OR CALL THE CUSTOMER ASSISTANCE HOTLINE AT 1-800-235-5878.

GASOLINE

The two-cycle engine on this product requires a fuel mixture of regular unleaded gasoline and a high quality 40:1 2-cycle AIR-COOLED engine oil for lubrication of the bearings and other moving parts. The correct fuel/oil mixture is 40:1 (see Fuel Mixture Chart). Too little oil or the incorrect oil type will cause poor performance and may cause the engine to overheat and seize.

Gasoline and oil must be premixed in a clean approved fuel container. Always use fresh regular unleaded gasoline.

The engine has been certified to operate on unleaded gasoline and CRAFTSMAN 40:1 2-cycle AIR-COOLED engine oil.

IMPORTANT: Experience indicates that alcohol blended fuels called gasohol (or using ethanol or methanol) can attract moisture, which leads to oil/gas separation and formation of acids during storage. Acidic gas can damage the fuel system of an engine while in storage. To avoid engine problems, the fuel system should be emptied before storage for 30 days or longer. Drain the fuel tank, then run the engine and letting it run until it stops. Use fresh fuel next season. See STORAGE instructions for additional information. Never use engine or carburetor cleaner products in the fuel tank or permanent damage may occur.

FUEL STABILIZER

Fuel stabilizer is an acceptable alternative in minimizing the formation of fuel gum deposits during storage. Add stabilizer to gasoline in fuel tank or storage container. Always follow the fuel mix ratio found on the stabilizer container. Run engine at least 5 minutes after adding stabilizer to allow the stabilizer to reach the carburetor. You do not have to drain the fuel tank for storage if you are using fuel stabilizer.

"CRAFTSMAN 40:1" 2-cycle AIR-COOLED engine oil is specially blended with fuel stabilizers. If you do not use this Sears oil, you can add a fuel stabilizer (such as CRAFTSMAN No. 33500) to your fuel tank.

2-CYCLE AIR-COOLED ENGINE OIL

"CRAFTSMAN 40:1 2-cycle AIR-COOLED engine oil is strongly recommended. This oil is specially blended with fuel stabilizers for increased fuel stability (extends fuel life up to 5 times longer) and reduced smoke.

If CRAFTSMAN 40:1 2-cycle AIR-COOLED engine oil is not available, use a good quality 2-cycle AIR-COOLED engine oil that has a recommended fuel mix of 40:1.

IMPORTANT! Do not use:

- AUTOMOTIVE OIL
- BOAT OILS (NMMA, BIA, etc.)

These oils do not have proper additives for 2-cycle AIR-COOLED engines and can cause engine damage.

GASOLINE AND OIL MIXTURE

Mix gasoline and oil as follows:

- Consult chart for correct quantities.
- Do not mix gasoline and oil directly in the unit's fuel tank.

FOR ONE GALLON:

- Pour 3.2 ounces of high quality, 40:1 2-cycle AIR-COOLED engine oil into an empty, approved one gallon gasoline container.
- Add one gallon of regular unleaded gasoline to the gallon container, then securely replace the cap.
- Shake the container.
- The mixture is now ready for use. Fuel stabilizer can be added at this time if desired; follow mixing instructions on the label.

FUEL MIXTURE CHART

40:1 Fuel:Oil Mix Ratio

<u>Gasoline</u>	<u>Oil (fl. oz.)</u>
1 gallon	3.2
1.25 gallons	4.0
2.5 gallons	8.0

NOTE: One gallon fuel containers will hold more than one gallon. If too much gasoline is in the container, the resulting gas-to-oil fuel mixture will not be correct for proper engine operation.

OPERATION

STOPPING YOUR ENGINE

- Move the stop switch to the "Off" position.
- If engine does not stop, move the choke lever to the full choke position.



DANGER:

WHEN STARTING THE ENGINE, HOLD THE UNIT AS SHOWN IN FIGURE 11. DO NOT SET THE UNIT ON ANY SURFACE EXCEPT A CLEAN, HARD AREA WHILE THE ENGINE IS RUNNING. DEBRIS SUCH AS GRAVEL, SAND, DUST, GRASS, ETC. COULD BE PICKED UP BY THE AIR INTAKE AND THROWN OUT THROUGH THE DISCHARGE OPENING, DAMAGING THE UNIT OR PROPERTY OR CAUSING SERIOUS INJURY TO BYSTANDERS OR OPERATOR..

FOR SAFE STARTING AND OPERATION, FOLLOW ALL SAFETY PRECAUTIONS IN THIS OPERATOR'S MANUAL AND LABELS ON THE UNIT. DRESS PROPERLY BEFORE STARTING ENGINE.

AVOID ANY BODILY CONTACT WITH THE MUFFLER WHEN STARTING A WARM ENGINE. A HOT MUFFLER CAN CAUSE SERIOUS BURNS.

BEFORE STARTING THE ENGINE(Fig. 11)

- Fuel engine. Move 10 feet (3 meters) away from fueling site.
- Hold the unit in the starting position as shown. When using the unit as a blower, make sure the blower end is directed away from people, animals, glass, and solid objects. When using the unit as a vacuum, make sure the vacuum end is directed away from people, animals, glass, and solid objects..

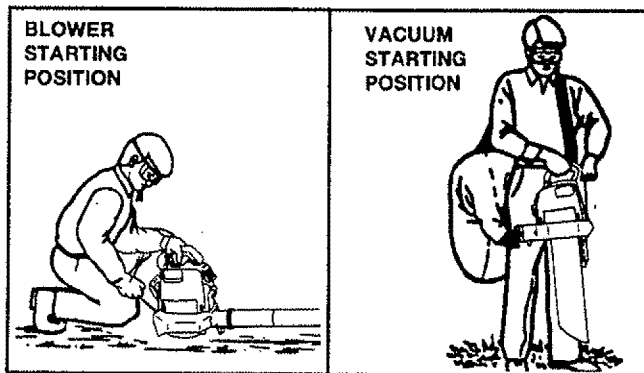


Figure 11

STARTING A COLD ENGINE OR WARM ENGINE AFTER RUNNING OUT OF FUEL (Fig.12)

- Move ignition switch to the "On" position.
- Move the choke lever to the "Full Choke" position.
- Squeeze and hold the throttle trigger. *Keep the throttle trigger fully squeezed until the engine runs smoothly.*
- Pull starter rope sharply 5 times.

The engine may sound as if it is trying to start before the 5th pull. If so, go to the next step immediately.

- Move the choke lever to the "Half Choke" position.
- Pull the starter rope sharply until the engine runs, but no more than 6 pulls.

If the engine still has not started, it is probably flooded. Flooded engines can be cleared of excess fuel with the following procedure:

- Move the choke lever to the "Off" position.
- Squeeze and hold the throttle trigger.
- Pull starter rope to clear the engine of excess fuel.

Starting could require pulling the starter rope handle many times depending on how badly the unit is flooded. If engine still fails to start, refer to the "Troubleshooting" Chart.

Once the engine starts, allow the engine to run 15 seconds, then move the choke lever to "Off Choke." Allow the engine to run for 30 more seconds at "Off Choke" before releasing the throttle trigger.

NOTE: If the engine dies with choke lever at "Off Choke" position, move the choke lever to "Half Choke". Pull starter rope 3 times. Move choke lever to "Off Choke" position, pull the rope until engine runs. Run engine 30 seconds with throttle trigger fully squeezed.

- To stop the engine, push and hold the momentary switch in the "Off" position; do not release until the engine has completely stopped.

STARTING A WARM ENGINE THAT HAS NOT RUN OUT OF FUEL

- Move choke lever to the "Off Choke" position.
- Squeeze throttle trigger.
- Pull starter rope until engine starts.

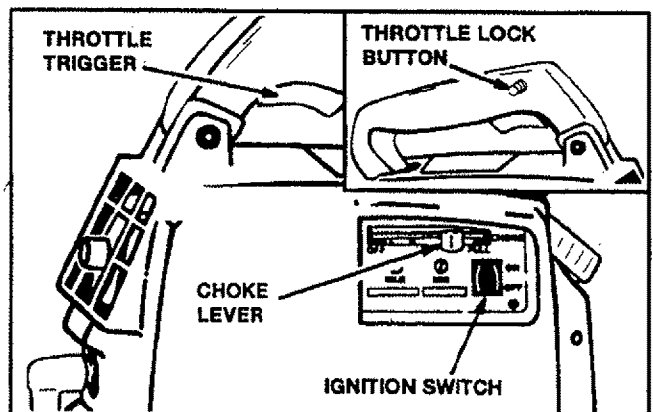


Figure 12

CUSTOMER RESPONSIBILITIES

MAINTENANCE SCHEDULE

Fill in dates as you complete regular service	Before Use	After Use	Every 5 Hrs.	Every 10 Hrs.	Every Season	Service Dates			
Check for damage or worn parts	✓								
Check for loose fasteners and parts	✓								
Clean unit		✓							
Clean Air Filter			✓						
Clean or replace Spark Plug					✓				
Inspect Muffler (Service if necessary)					✓				

GENERAL RECOMMENDATIONS

The warranty on this blower does not cover items that have been subjected to operator abuse or negligence. To receive full value from the warranty, operator must maintain blower as instructed in this manual.

Some adjustments will need to be made periodically to properly maintain your unit.

All adjustments in the Service and Adjustments section of this manual should be checked at least once each season.

- Once a year, replace the spark plug, replace air filter. A new spark plug and clean or new air filter element assures proper air-fuel mixture and helps your engine run better, last longer and reduces harmful emissions.
- Follow maintenance schedule in this manual.

CLEAN UNIT AND LABELS

- Clean the unit and labels using a damp cloth with a mild detergent.
- Wipe off the unit with a clean dry cloth.

BEFORE EACH USE

CHECK FOR DAMAGED/WORN PARTS

- Tighten, repair or replace parts as necessary.
- Fuel cap – replace broken or leaking fuel cap.

CHECK FOR LOOSE FASTENERS/PARTS

- Blower Tube
- Blower Nozzle
- Vacuum Inlet Cover
- Blower Outlet
- Vacuum Bag



WARNING

DISCONNECT THE SPARK PLUG BEFORE PERFORMING MAINTENANCE EXCEPT FOR CARBURETOR ADJUSTMENTS.

INSPECT THE ENTIRE UNIT. REPLACE DAMAGED PARTS. CHECK FOR FUEL LEAKS AND MAKE SURE ALL FASTENERS ARE IN PLACE AND SECURELY FASTENED.

CUSTOMER RESPONSIBILITIES



CAUTION: TO AVOID CREATING FIRE HAZARD AND PRODUCING HARMFUL EMISSIONS, DO NOT CLEAN FILTER IN GASOLINE OR OTHER FLAMMABLE SOLVENT.

THE HOLES IN THE AIR FILTER MUST BE FITTED OVER THE POSTS ON THE AIR FILTER COVER. WHEN INSTALLING THE AIR FILTER/COVER ASSEMBLY, BE SURE THAT THE FILTER DOES NOT HANG ON THE CHOKE LEVER SCREW.

CLEAN AIR FILTER (Fig 13)

A dirty air filter decreases the life and performance of the engine and increases fuel consumption and harmful emissions.

Always clean after 5 tanks of fuel or 5 hours of operation, whichever is less. Clean more frequently in dusty conditions.

- Move the choke lever to "Full".
- Remove the air filter cover on top of the unit (under the handle).
- Wash the air filter in soap and water.
- Squeeze the air filter dry.
- Add 4 or 5 drops of oil to the air filter. Avoid soaking the air filter with oil.
- Squeeze the air filter to distribute oil.
- Reassemble the air filter onto the cover.
- Reassemble air filter/cover assembly to unit. Return choke lever to the "Off" position.

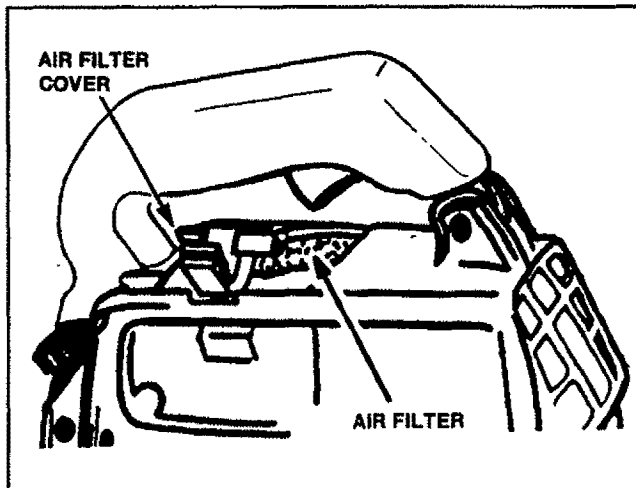


Figure 13

REPLACE SPARK PLUG (Fig 14)

The spark plug should be replaced each year to ensure the engine starts easier and runs better.

Spark Plug gap should be .025".

- Pull off the spark plug boot.
- Remove and discard the spark plug.
- Replace with correct spark plug and tighten with spark plug wrench (10-12 lb-ft)
- Cover spark plug with spark plug boot.

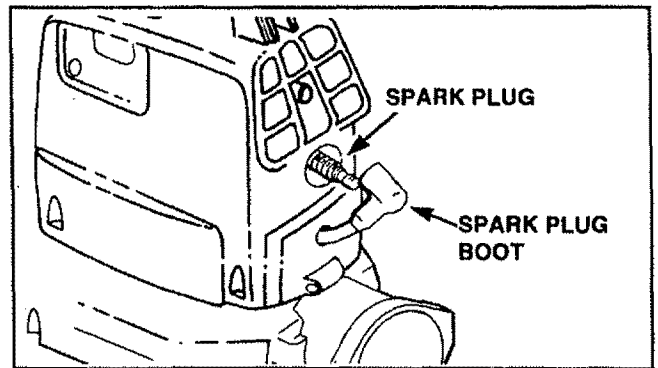


Figure 14

SERVICE AND ADJUSTMENTS

CARBURETOR ADJUSTMENTS

Carburetor adjustment is critical and if done improperly can permanently damage the engine as well as the carburetor. Please read all instructions and consult the Troubleshooting section of this manual before beginning this process.

- If engine does not start, it may be flooded. If in doubt, read the section on flooded engine in the starting section of this manual prior to beginning any adjustments.
- Poor engine performance can be a result of other causes such as dirty air filter, clogged muffler outlets, dirty spark arrestor screen, etc. See the "TROUBLE SHOOTING CHART" before proceeding with carburetor adjustments.
- If you are unsure about adjusting the carburetor or experience any problem while attempting this process, please call the 1-800 number listed on the front cover of this manual for further assistance.

NOTE: Be sure to properly prepare the unit as described in the "PREPARATION" section below.

- The carburetor has been adjusted at the factory for sea level conditions. Adjustments may become necessary if the unit is used at significantly higher altitude or if you notice any of the following conditions:
 - Engine will not continue to run at idle position. See "IDLE SPEED ADJUSTMENT" and "MIXTURE ADJUSTMENT."
 - Engine dies or hesitates when it should accelerate. See "ACCELERATION CHECK."
 - Loss of power which cannot be corrected by cleaning air filter. See "MIXTURE ADJUSTMENT."
 - Engine will not run. See "TROUBLE SHOOTING CHART." Then, if carburetor requires adjustment, begin with "CARBURETOR PRESETS."

NOTE: Do not attempt to adjust the mixture screw beyond the stops as damage can occur.



WARNING

THE IMPELLER WILL BE SPINNING DURING THIS PROCEDURE. WEAR YOUR PROTECTIVE EQUIPMENT AND OBSERVE ALL SAFETY INSTRUCTIONS.

KEEP OTHERS AWAY WHEN MAKING CARBURETOR ADJUSTMENTS.

THE MIXTURE SETTING IS A HIGHLY CRITICAL ADJUSTMENT. IF SET INCORRECTLY, PERMANENT DAMAGE WILL OCCUR TO THE ENGINE. DO NOT RUN ENGINE AT FULL THROTTLE FOR PROLONGED PERIODS WHILE MAKING THE MIXTURE ADJUSTMENT.

PREPARATION

Tools Required: Small standard screwdriver

- Stop the engine. Make sure your unit is fully assembled with the tubes and nozzle in place.
- Use a fresh fuel mixture with proper gasoline/oil ration (see Fueling Your Engine section).
- Place the unit on a solid, flat surface free of any loose debris.
- Locate the two carburetor adjusting screws. Fig. 15.
- Start the engine and operate for three (3) minutes to warm up. *The engine must be warm for proper adjustments to be made.*
- Go to "ADJUSTMENT PROCEDURE."

NOTE: If your unit will not start, proceed to section "CARBURETOR PRESETS."

CARBURETOR PRESETS (Fig.15)

If your engine will not start due to suspected improper carburetor adjustment, the following presets may be required. If used, it is recommended that all steps within the adjustment procedure be completed in order to assure a properly set carburetor. If presets are not needed, proceed to section "IDLE SPEED ADJUSTMENT."

Very small adjustments can affect engine performance. It is important to turn the screw a very small amount per adjustment and test performance before making further adjustments. Each adjustment should be no more than the width of the slot in the adjusting screw.

- Turn the mixture screw counterclockwise until it stops. *Do not attempt to adjust the screw beyond the stops as damage can occur.*
- Turn idle speed screw clockwise 1/2 turn.
- Start the engine and operate for three (3) minutes to warm up. Go to "ADJUSTING PROCEDURE."

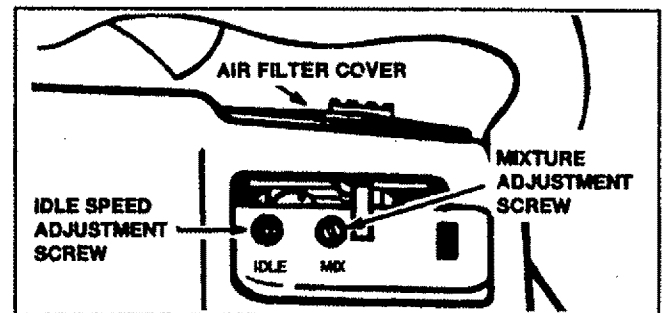


Figure 15

SERVICE AND ADJUSTMENTS

ADJUSTING PROCEDURE

IDLE SPEED ADJUSTMENT

- Allow warm engine to idle. If engine will not idle, turn idle speed screw clockwise until the engine runs without stalling. **Stop here if performance is satisfactory.**
- Turn screw clockwise to increase engine speed.
- Turn screw counterclockwise to slow engine down.
- **If you feel further adjustments are necessary, proceed to following sections.**

MIXTURE ADJUSTMENT

NOTE: The unit must be operated at full throttle throughout the mixture adjustment procedure.

- Turn the mixture screw (Fig. 15) counterclockwise until it stops. If the engine accelerates and runs smoothly, no further adjustments are necessary. If not continue to next step.
- Turn the screw slowly the minimum amount clockwise until the engine runs smoothly.
- If the engine accelerates and runs smoothly, no further adjustments are necessary.

ACCELERATION CHECK

- If the engine dies or hesitates when accelerating, turn the mixture screw the width of the slot in the adjusting screw counterclockwise until you have smooth acceleration.
- Check the idle speed for stability. adjust as necessary.
- Recheck for smooth acceleration and stable idle. Repeat process as necessary for acceptable performance.



CAUTION: A carburetor setting that is too lean (clockwise adjustment on mixture speed screw for maximum speed) will cause engine damage to any 2-cycle engine from overheating and lack of lubrication. **Never set the mixture speed screw so far clockwise that you have high engine speed lacking power to operate. an effective approach follows.**

- Turn mixture speed screw clockwise until engine loses power while operating.
- Turn mixture speed screw the width of the slot in the adjusting screw counterclockwise until the engine has power and runs smoothly while operating.

If the engine does not operate according to these instructions after repeating the adjusting steps, do not use the unit. For further assistance, please call our Customer Assistance Hotline at 1-800-235-5878.

SERVICE AND ADJUSTMENTS

STARTER ROPE (Fig 16-22)

Replace the starter rope if the rope breaks or is badly worn.

NOTE: When replacing an unbroken rope, cut the rope and allow the rope to rewind onto the pulley.

WARNING:

DO NOT REMOVE THE PULLEY WHEN REPLACING THE STARTER ROPE. ALWAYS WEAR EYE PROTECTION WHEN SERVICING THE STARTER ROPE. THE RECOIL SPRING, LOCATED BENEATH THE PULLEY, IS UNDER TENSION. IF THE SPRING POPS OUT, SERIOUS INJURY CAN RESULT.

REPAIR OR REPLACE STARTER ROPE

- Disconnect spark plug wire from the spark plug.
- Set unit, blower outlet up, on a flat surface. Open the vacuum inlet cover as follows:
 - Insert a screwdriver into the latch opening. (Inset).
 - Gently twist the screwdriver while opening the vacuum inlet cover with your other hand.
- Remove the impeller nut and washers while holding the impeller.

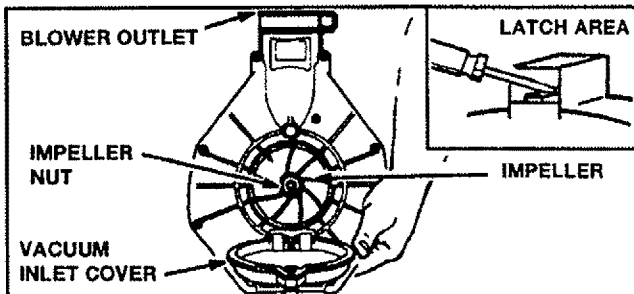


Figure 16

- Remove the 4 impeller shroud screws. Then, remove the 2 engine shroud screws located by the spark plug. Remove the impeller shroud from the engine shroud.

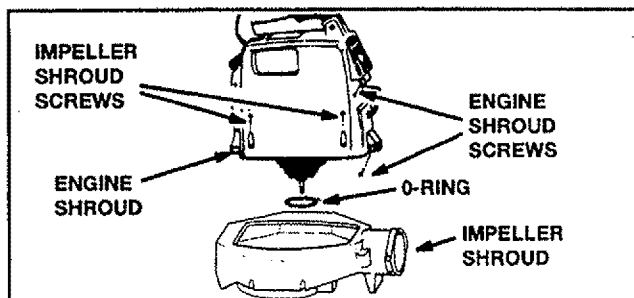


Figure 17

- Remove the 5 screws from the pulley housing, then remove the pulley housing and pulley from the engine.

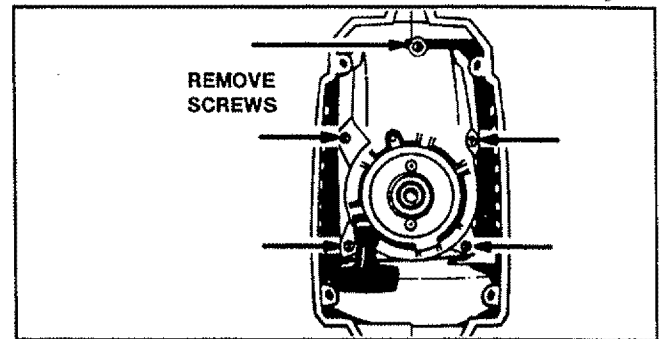


Figure 18

- Remove the rope retainer screw from pulley; then, remove the broken piece of rope, if any.
- Grasp the pulley ratchet and wind the pulley clockwise until the pulley stops. Then, slowly unwind the pulley counter-clockwise until the pulley notch is aligned with the pulley housing notch, then unwind pulley one complete turn. Insert the hex wrench into the hole formed by the aligned notches.
- Move away from the fuel tank and melt the ends of the new rope.
- Allow each melted end to drip once; then while the rope is still hot, pull each melted end through a clean rag to obtain a smooth, pointed end.

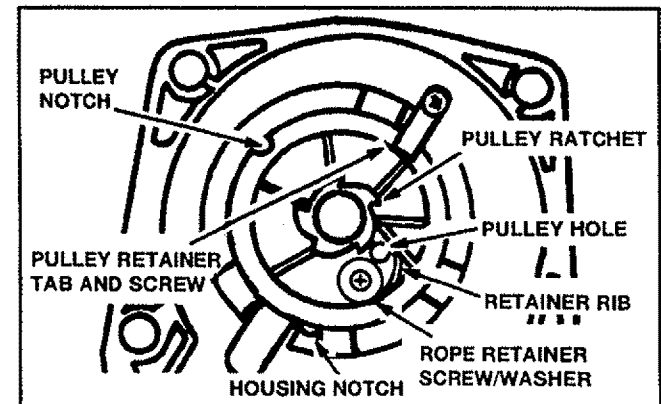


Figure 19

- Insert one end of the rope through the handle and secure with a knot. Leave 3/16" pigtail behind the knot.
- Insert the other end of the rope through the metal grommet, then under the rope guide.

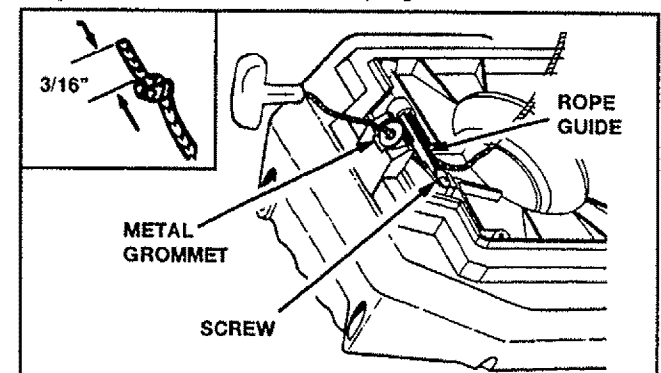


Figure 20

SERVICE AND ADJUSTMENTS

- Guide rope inside the pulley, then through pulley hole. Figure 16.
- Wrap rope counterclockwise around the pulley ratchet and tuck the loose end back under the rope, leaving about a 1 inch tail next to the retainer rib. The end of the rope should not go more than 1/4" past the end of the retainer rib.
- Install and tighten the retainer screw/washer. Figure 16.

NOTE: Do not over tighten the retainer screw. Over tightening the screw can cause the screw post to strip out. Tighten the screw until the bottom of the washer either (1) is snug against the rope or (2) contacts the top of the screw post.

- Pull the rope tightly around the pulley ratchet.
- Slightly pull the rope to relieve the pressure on the hex wrench. Remove the hex wrench and allow the rope to rewind slowly.
- Reassemble the pulley housing to the engine. Tighten screws securely.

NOTE: Be sure the rubber o-ring is installed onto the pulley housing. See Figure 14.

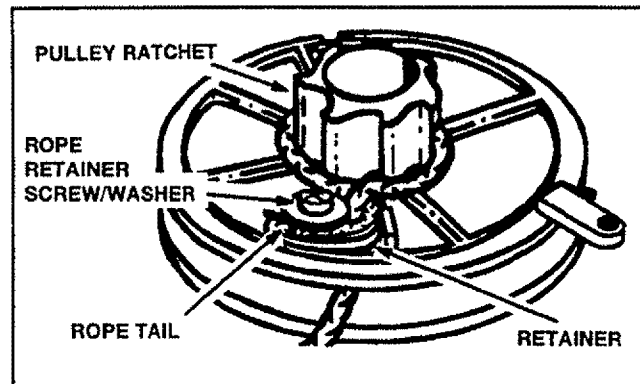


Figure 21

- Align the hole in the impeller with the impeller shaft, making sure the flat sides are aligned.

NOTE: When re-assembling the impeller housing to the engine shroud, be sure not to over tighten screws. Over tightening the screws can strip out the impeller housing.

- Assemble parts by reversing the first four steps under "Repair Or Replace Starter Rope".

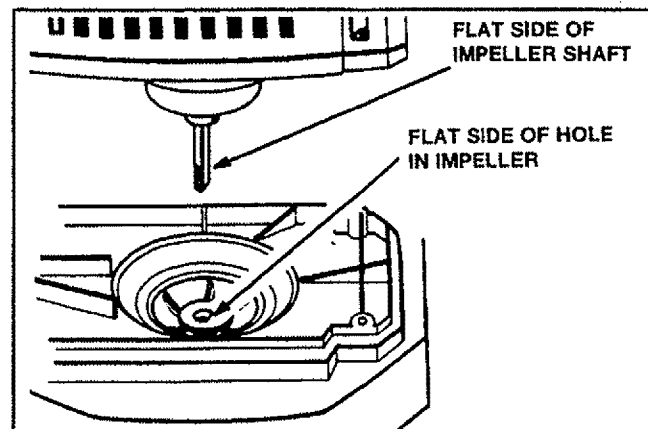


Figure 22

CLEAN/REPLACE FUEL FILTER (Fig 23 & 24)

- Run fuel tank dry of fuel before proceeding with this step.
- Remove fuel cap and allow it to hang to side of motor.
- Using a small pair of needle nose pliers, grasp fuel cap retainer, holding it in tank opening and pull out.
- With cap out of tank, use a small section of bent wire similar to that shown in the illustration to catch fuel line and slowly pull from tank. When fuel filter appears in opening, grasp with fingers and remove from tank.
- Once filter is out of tank, hold fuel line close to fuel filter. Remove fuel filter by twisting and pulling at the same time.
- To clean fuel filter, submerge in warm soapy water for 10 minutes. (We recommend a very light mixture of dish washing liquid.) Then agitate until filter is clean, rinse thoroughly in warm water, air dry.
- reverse process for installation.
- To replace fuel filter, use same procedure, but install new filter.

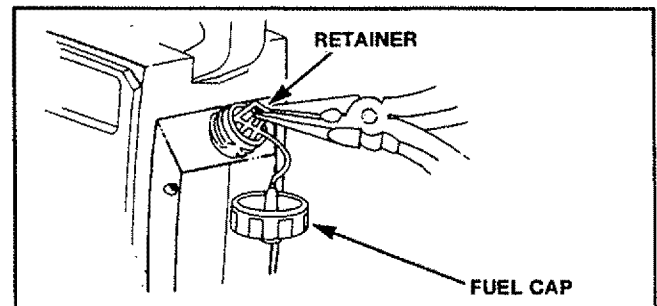


Figure 23

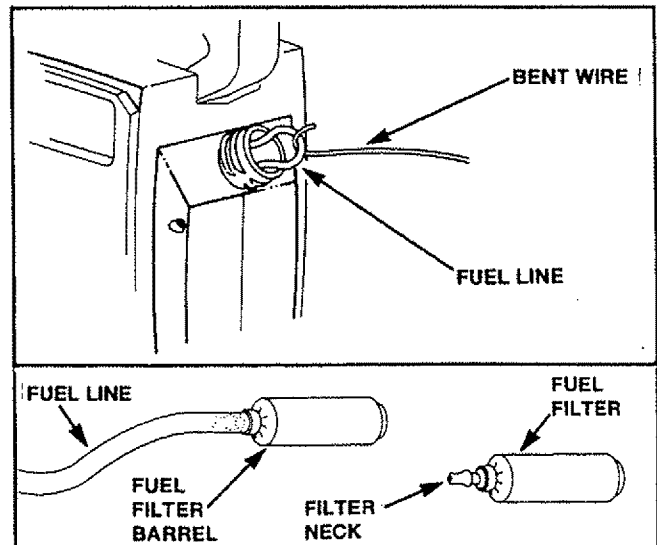


Figure 24

STORAGE

Immediately prepare your unit for storage at the end of the season or if it will not be used for 30 days or more.



WARNING:
ALLOW THE ENGINE TO COOL, AND SECURE THE UNIT BEFORE STORING OR TRANSPORTING IN A VEHICLE.

STORE UNIT AND FUEL IN AN AREA WHERE FUEL VAPORS CANNOT REACH SPARKS OR OPEN FLAMES FROM WATER HEATERS, ELECTRIC MOTORS OR SWITCHES, FURNACES, ETC.

STORE UNIT WITH ALL GUARDS IN PLACE. POSITION SO THAT ANY SHARP OBJECT CANNOT ACCIDENTALLY CAUSE INJURY TO PASSER BY.

STORE THE UNIT OUT OF THE REACH OF CHILDREN.

GAS BLOWER STORAGE INSTRUCTIONS

If your blower is to be stored for a period of time, clean it thoroughly prior to storage. Remove any dirt, leaves, oil, grease, etc. Store in a clean dry area.

- Clean the entire unit.
- Clean air filter Refer to "Customer Responsibilities."
- Lightly oil external metal surfaces to prevent rust from forming.
- Reassemble all loose parts, being sure that all handles and guards are in place and are securely fastened. Replace any damaged parts.

FUEL SYSTEM

Never use engine or carburetor cleaner products in the fuel tank or permanent damage may occur to fuel system components.

Follow these instructions:

1. Drain the fuel from the unit into an approved fuel container.
2. Drain the fuel lines and carburetor by starting the engine and letting it run until it stops.
3. Allow the engine to cool before storage.

IMPORTANT: It is important to prevent gum deposits from forming in essential fuel system parts such as the carburetor, fuel filter, fuel hose or tank during storage. Also, experience indicates that alcohol blended fuels, those that use ethanol or methanol (called gasohol or oxygenated fuel), can attract moisture and form acidic gas which will damage your engine. To avoid engine problems, the fuel system should be emptied before storage of 30 days or longer.

Fuel stabilizer is an acceptable alternative in minimizing the formation of fuel gum deposits during storage. Add stabilizer to the gasoline in the fuel tank or fuel storage container. Always follow the mix instructions found on stabilizer container. Run engine at least 5 minutes after adding stabilizer to allow the stabilizer to reach the carburetor.

"CRAFTSMAN 40:1" 2-cycle AIR-COOLED engine oil is specially blended with fuel stabilizers. If you do not use this Sears oil, you can add a fuel stabilizer (such as CRAFTSMAN No. 33500) to your fuel tank.

- Remove spark plug and pour 1 teaspoon of 40:1 oil through the spark plug opening. Slowly pull the starter rope 8 to 10 times to distribute oil to inner engine surfaces.

INTERNAL ENGINE

- Replace spark plug with a new one of the recommended type and heat range. Refer to "Product Specifications".
- Clean air filter. Refer to "Customer Responsibilities".
- Reinstall all covers and hardware removed for access; tighten all screws and fasteners.
- Check entire unit for loose screws, nuts, and bolts. Replace any damaged, broken, or worn parts.
- Lightly oil external metal surfaces to prevent rust from forming.
- Use fresh fuel having the proper gasoline to oil ratio at the beginning of the next season.

OTHER

- Do not store gasoline from one season to another.
- Replace your gasoline can if your can starts to rust. Rust and/or dirt in your fuel system will cause problems.
- Store your unit in a well ventilated area and covered, if possible, to prevent dust and dirt accumulation. Do not cover with plastic. Plastic cannot breathe and will induce condensation and eventual rust or corrosion.

IMPORTANT: Never cover unit while engine and exhaust areas are still warm.

TROUBLE SHOOTING CHART

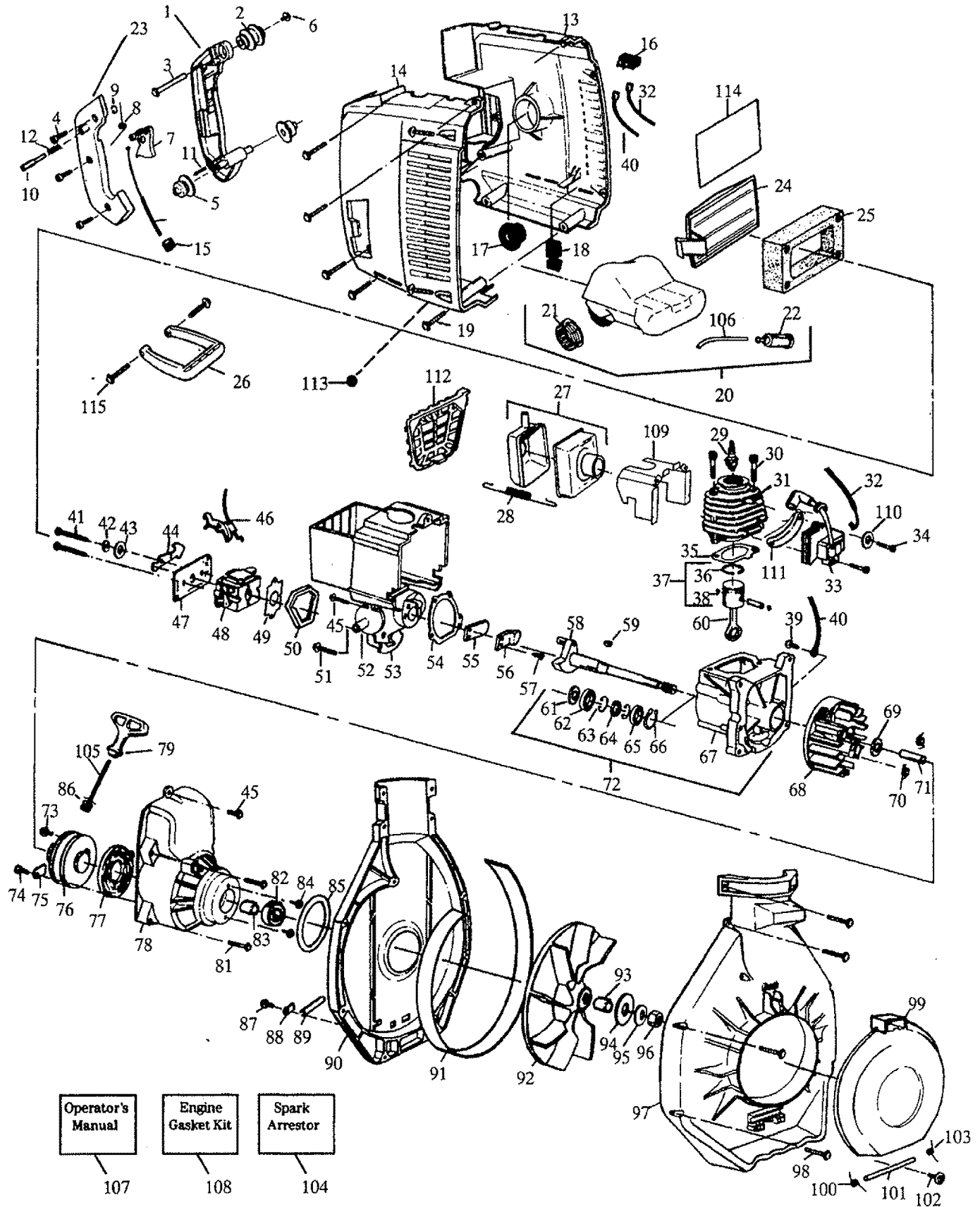
TROUBLE SHOOTING CHART

SYMPTOM	CAUSE	REMEDY
Engine will not start or will run only for a few seconds after starting.	<ol style="list-style-type: none"> 1. Fuel tank empty. 2. Engine flooded. 3. Spark plug not firing. 4. Fuel not reaching carburetor. 5. Carburetor requires adjustment. 6. None of the above. 	<ol style="list-style-type: none"> 1. Fill tank with correct fuel mixture. 2. See "Starting Instructions" 3. Install new plug/check ignition switch. 4. Clean fuel filter; inspect fuel line. 5. See "Carburetor Adjustments." 6. Contact your SEARS Service Center/Dept.
Engine will not idle properly.	<ol style="list-style-type: none"> 1. Carburetor set too fast or too slow. 2. Carburetor requires adjustment. 3. None of the above. 	<ol style="list-style-type: none"> 1. See "Carburetor Adjustments." 2. See "Carburetor Adjustments." 3. Contact your SEARS Service Center/Dept.
Engine will not accelerate, lacks power, or dies under a load	<ol style="list-style-type: none"> 1. Air filter dirty. 2. Spark plug fouled. 3. Carburetor requires adjustment. 4. Muffler outlets plugged. 5. None of the above. 	<ol style="list-style-type: none"> 1. Clean or replace air filter. 2. Replace spark plug. 3. See "Carburetor Adjustments." 4. Contact your SEARS Service Center/Dept. 5. Contact your SEARS Service Center/Dept.
Engine smokes excessively	<ol style="list-style-type: none"> 1. Air filter dirty. 2. Fuel mixture incorrect. 3. Carburetor requires adjustment. 	<ol style="list-style-type: none"> 1. Clean or replace air filter. 2. Refuel with correct fuel mixture. 3. See "Carburetor Adjustments."
Engine runs hot	<ol style="list-style-type: none"> 1. Fuel mixture incorrect. 2. Spark plug incorrect. 3. Carburetor set too low (Lean). 4. None of the above. 	<ol style="list-style-type: none"> 1. See "Fueling Your Unit." 2. Replace with correct plug. 3. See "Carburetor Adjustments." 4. Contact your SEARS Service Center/Dept.

*If situations occur which are not covered in this manual, use care and good judgement.
If you need assistance, contact your SEARS Service Center/Department or the
CUSTOMER ASSISTANCE HOTLINE at 1-800-235-5878*

REPAIR PARTS

Sears Blower – Models 358.797922, 358.797950, 358.797961, 358.797982, 358.797990



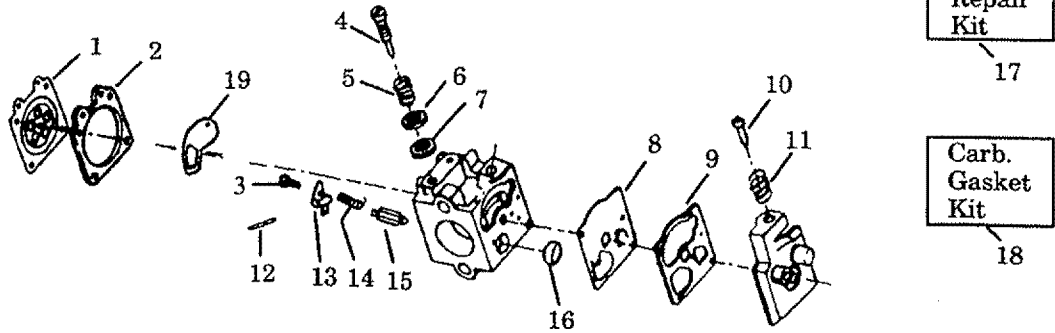
REPAIR PARTS

Key No.	Part No.	Description	Key No.	Part No.	Description
1	530-094712	Handle	57	530-016064	Screw
2	530-026994	Front Isolator	58	530-014033	Crankshaft Ass'y.
3	530-029111	Spacer	59	530-015126	Key
4	530-015635	Screw	60	-	Connecting Rod Ass'y.
5	530-029130	Rear Isolator		530-014005	Models 358.797961, 797950
6	530-015813	Screw		530-010960	Models 358.797922, 797982, 797990
7	530-029072	Trigger	61	530-015788	Spacer
8	530-027597	Spring	62	530-032103	Inner Bearing
9	530-015702	"C" Clip	63	530-015787	Ring
10	530-029117	Throttle Lock Button	64	530-019158	Crankshaft Seal
11	530-015840	Pin	65	530-032102	Outer Bearing
12	530-024772	Spring	66	530-015789	Retaining Ring
13	530-037140	Shroud-Left - Models 358.797961, 797950	67	530-014016	Crankcase
	530-037141	Shroud-Left - Models 358.797922, 797982, 797990	68	530-039136	Flywheel
14	530-029067	Shroud-Right - Models 358.797961, 797950	69	530-347987	Washer
	530-029609	Shroud-Right - Models 358.797922, 797982, 797990	70	530-023817	Spring
15	530-019168	Grommet	71	530-029176	Spacer
16	530-069292	Switch	72	530-014156	Crankcase/Crankshaft Assy.
17	530-029129	Isolator	73	530-015823	Screw
18	530-029089	Isolator	74	530-015496	Screw
19	530-015814	Screw	75	530-027523	Retainer
20	530-014121	Fuel Tank Ass'y. (Incl. #21, 22 & 106)	76	530-069486	Starter Pulley (Incl. 73)
21	530-014347	Fuel Cap (Incl. O'Ring)	77	530-029395	Starter Spring
22	530-014362	Fuel Pick-up Ass'y.	78	530-069563	Fan Housing Kit (Incl. Starter Pulley)
23	530-014160	Handle Cover Ass'y. (Incl. 9, 10 & 12)	79	530-027569	Starter Handle
24	-	Cover-Air Filter Models 358.797961, 797950	81	530-015769	Screw
	530-029071	Models 358.797922, 797982, 797990	82	530-032108	Bearing
25	530-029112	Air Filter	83	530-029110	Spacer
26	530-094740	Assist Handle - Models 358.797950, 797982, 797990	84	530-015805	Screw
27	530-069293	Muffler	85	530-019167	"O" Ring
28	530-029116	Spring	86	530-029182	Eyelet
29	952-030078	Spark Plug	87	530-015805	Screw
30	530-015239	Screw	88	530-027523	Retainer
31	-	Cylinder Models 358.797961, 797950	89	530-029119	Roll Pin
	530-012244	Models 358.797922, 797982, 797990	90	530-094710	Blower Housing (Upper)
32	530-029145	Lead Wire	91	530-029173	Band
33	530-039137	Ignition Module	92	530-014157	Impeller
34	-	Screw Models 358.797961, 797950	93	530-029118	Hub
	530-015776	Models 358.797922, 797982, 797990	94	530-015818	Washer
35	530-019178	Gasket	95	530-015441	Washer
36	-	Piston Ring Models 358.797961, 797950	96	530-001733	Nut
	530-026413	Models 358.797922, 797982, 797990	97	530-014158	Blower Housing (Lower) (Incl. 99-103)
37	-	Piston Kit (Incl. #36, 38, & Pin) Models 358.797961, 797950	98	530-015872	Screw
	530-069274	Models 358.797922, 797982, 797990	99	530-094715	Door
38	530-015162	Retainer	100	530-015667	Spring
39	530-015306	Screw	101	530-015647	Pin
40	530-029144	Ground Wire	102	530-015815	Screw
41	530-015849	Screw	103	530-015672	Spring
42	530-015254	Wave Washer	104	530-069348	Spark Arrestor Kit
43	530-015852	Spacer	105	530-069232	Rope Kit
44	530-029114	Choke Shutter	106	530-069247	Line Kit
45	530-015771	Screw	107	530-083059	Operators Manual
46	530-037492	Cable Assembly	108	530-069294	Gasket Kit
47	530-029115	Plate	109	530-029404	Air Baffle
48	530-035263	Carburetor	110	530-015811	Washer - Models 358.797961, 797950
49	530-019164	Gasket	111	530-027525	Spacer - Models 358.797950, 797961
50	530-019165	Seal	112	530-069303	Muffler Guard
51	530-015775	Screw	113	530-029460	Cap - Models 358.797922, 797961
52	530-029113	Ground Wire	114	-	Decal Instruction Models 358.797922, 797982
53	530-029070	Reed Block		530-037784	Models 358.797950, 797961
54	530-019166	Gasket		530-037785	Model 358.797990
55	530-027593	Reed Valve	115	530-038554	Screw - Models 358.797950, 797982, 797990
56	530-027594	Reed Stop		530-015843	
				Not Shown	
				530-061350	Carton Model 358.797922
				530-061933	Carton Model 358.797950
				530-061189	Carton Model 358.797961
				530-061347	Carton Model 358.797982
				530-085152	Carton Model 358.797990



REPAIR PARTS

Carburetor Assembly Part Number 530-035263 - WT-141

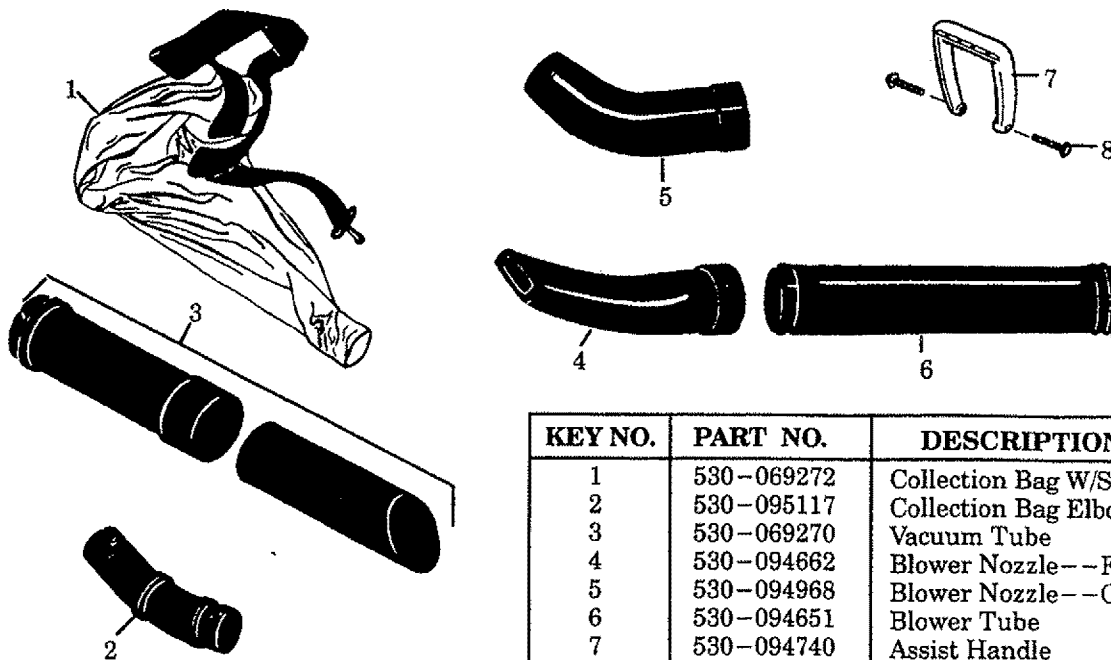


Key No.	Part No.	Description	Key No.	Part No.	Description
1	530-035014	*+ Metering Diaphragm	12	530-035028	* Metering Lever Pin
2	530-035151	*+ Metering Diaphragm Gasket	13	530-035031	* Metering Lever
3	530-035016	* Metering Lever Pin Screw	14	530-035188	* Metering Lever Spring
4	530-035268	Mixture Needle	15	530-035106	* Inlet Needle Valve
5	530-035214	Mixture Needle Spring	16	530-035178	* Fuel Inlet Screen
6	530-035217	* Mixture Needle Washer	17	530-035264	Carb. Kwik Repair Kit (*Indicates Contents)
7	530-035218	*+ "O" Ring Mixture	18	530-035219	Carb. Gasket/Diaphragm Kit (+Indicates Contents)
8	530-035166	*+ Fuel Pump Diaphragm	19	530-035211	*+ Circuit Plate Gasket
9	530-035164	*+ Fuel Pump Gasket			
10	530-035203	Idle Speed Screw			
11	530-035208	Idle Speed Spring			

* Indicates Carb. Kwik Repair Kit contents

+ Indicates Carb. Gasket/Diaphragm Kit contents

Vacuum Tube/Blower Tube Ass'y.



KEY NO.	PART NO.	DESCRIPTION
1	530-069272	Collection Bag W/Strap
2	530-095117	Collection Bag Elbow Tube
3	530-069270	Vacuum Tube
4	530-094662	Blower Nozzle--Flare
5	530-094968	Blower Nozzle--Concentrator
6	530-094651	Blower Tube
7	530-094740	Assist Handle
8	530-015814	Screw



NOTES

NOTES

TABLE OF CONTENTS





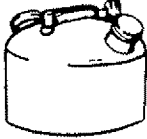


Safety Rules2	Operation.....8
Product Specifications.....4	Service and Adjustments15
Customer Responsibilities.....13	Storage.....19
Warranty.....4	Trouble Shooting.....20
Accessories26	Repair Parts Ordering/Service.....Back Cover
Assembly.....6	

INDEX

<p style="text-align: center;">A</p> <p>Accessories 26</p> <p>Adjustments</p> <p style="padding-left: 20px;">Carburetor.....15</p> <p style="padding-left: 20px;">Air Filter.....14</p> <p style="padding-left: 20px;">Assembly6</p> <p style="text-align: center;">B</p> <p>Blower Tube.....6</p> <p style="text-align: center;">C</p> <p>Carburetor Adjustments15</p> <p>Customer Responsibilities.....13</p> <p style="padding-left: 20px;">Spark Plug4</p> <p style="text-align: center;">E</p> <p>Engine</p> <p style="padding-left: 20px;">Fuel/Oil.....11</p> <p style="padding-left: 20px;">Spark Plug4</p> <p style="padding-left: 20px;">Starting.....12</p> <p style="padding-left: 20px;">Storage.....19</p> <p style="text-align: center;">F</p> <p>Fueling.....11</p> <p style="text-align: center;">H</p> <p>Hardware Contents.....5</p>	<p style="text-align: center;">K</p> <p>Know Your Blower.....8</p> <p style="text-align: center;">M</p> <p>Maintenance Schedule.....13</p> <p>Model Number.....4</p> <p style="text-align: center;">O</p> <p>Operation.....8</p> <p style="text-align: center;">R</p> <p>Repair Parts.....21</p> <p style="padding-left: 20px;">OrderingBack Cover</p> <p style="text-align: center;">S</p> <p>Service and Adjustments15</p> <p>Specifications4</p> <p>Starting.....12</p> <p>Storage.....19</p> <p style="text-align: center;">T</p> <p>Throttle Grip8</p> <p>Trouble Shooting20</p> <p style="text-align: center;">V</p> <p>Vacuum Bag6</p> <p>Vacuum Tube.....7</p> <p style="text-align: center;">W</p> <p>Warranty.....4</p>
---	---

ACCESSORIES

These accessories and attachments were available when the unit was originally purchased. They are also available at most Sears retail outlets and service centers. Most Sears stores can order these items for you when you provide the model number of your unit.

Accessories						
SAFETY GOGGLES	SPARK PLUG	GUTTER ATTACHMENT KIT	VACUUM ATTACHMENT KIT	GAS CAN	AIR FILTER	SEARS 2-CYCLE ENGINE OIL
						

SEARS

Operator's Manual

Model No.

358.797922-32cc

358.797950-22cc

358.797982-32cc

358.797961-22cc

358.797990-32cc

**IF YOU NEED REPAIR
SERVICE OR PARTS:**

**REPAIR SERVICE
1-800-4-REPAIR
(1-800-473-7247)**

**ORDERING PARTS
1-800-FON-PART
(1-800-366-7278)**



Hours (CST)
Mon - Sat 7 a.m. - 7 p.m.
Sun 10 a.m. - 7 p.m.

CRAFTSMAN®

22cc/32cc 2-CYCLE ENGINE GASOLINE BLOWER

Each Gasoline Blower has its own model number. The model number for your unit will be found on a decal attached to the unit.

All parts listed herein may be ordered from any Sears, Roebuck and Co. Service Centers and most Retail Stores.

WHEN ORDERING REPAIR PARTS, ALWAYS GIVE THE FOLLOWING INFORMATION AS SHOWN IN THIS LIST:

- PRODUCT - "GASOLINE BLOWER"
- MODEL NUMBER - 358.797922
358.797950
358.797982
358.797961
358.797990
- PART NUMBER
- PART DESCRIPTION

Your Sears Merchandise has added value when you consider that Sears has service units nationwide staffed with Sears trained technicians... professional technicians specifically trained on Sears products, having the parts, tools and equipment to insure that we meet our pledge to you, we service what we sell.

Sears, Roebuck and Co., Hoffman Estates, IL 60179 U.S.A.