



STANDARD CLEANING GAS RANGE

Use & Care Guide

For questions about features, operation/performance, parts, accessories or service, call: **1-800-253-1301** or visit our website at...www.whirlpool.com

In Canada, call for assistance, installation or service, call: **1-800-807-6777** or visit our website at...www.whirlpool.ca

CUISINIÈRE À GAZ À NETTOYAGE STANDARD

Guide d'utilisation et d'entretien

Au Canada, pour assistance, installation ou service, composez le **1-800-807-6777**

ou visitez notre site web à www.whirlpool.ca

Table of Contents/Table des matières 2

TABLE OF CONTENTS

| | |
|--------------------------------------|-----------|
| RANGE SAFETY | 3 |
| The Anti-Tip Bracket | 4 |
| COOKTOP USE | 5 |
| Cooktop Controls | 5 |
| Surface Burners | 5 |
| Griddle | 6 |
| Home Canning | 6 |
| Cookware | 6 |
| ELECTRONIC OVEN CONTROL | 7 |
| Display | 7 |
| Oven Indicator Lights | 7 |
| Start | 7 |
| Off/Cancel | 7 |
| Clock | 7 |
| Tones | 7 |
| Fahrenheit and Celsius | 8 |
| Timer | 8 |
| Control Lock | 8 |
| Oven Temperature Control | 8 |
| OVEN USE | 8 |
| Aluminum Foil | 8 |
| Positioning Racks and Bakeware | 9 |
| Bakeware | 9 |
| Oven Vent | 9 |
| Baking and Roasting | 10 |
| Broiling | 10 |
| RANGE CARE | 11 |
| General Cleaning | 11 |
| Oven Light | 12 |
| Oven Door | 12 |
| Removing the Oven Bottom | 12 |
| TROUBLESHOOTING | 13 |
| ASSISTANCE OR SERVICE | 15 |
| In the U.S.A. | 15 |
| In Canada | 15 |
| Accessories | 15 |
| WARRANTY | 15 |

TABLE DES MATIÈRES

| | |
|---|-----------|
| SÉCURITÉ DE LA CUISINIÈRE | 17 |
| La bride antibasculement | 18 |
| UTILISATION DE LA TABLE DE CUISSON | 20 |
| Commandes de la table de cuisson | 20 |
| Brûleurs de surface | 20 |
| Plaque à frire | 21 |
| Préparation de conserves à la maison | 21 |
| Ustensiles de cuisson | 21 |
| TABLEAU DE COMMANDE ÉLECTRONIQUE DU FOUR | 22 |
| Afficheur | 22 |
| Témoins lumineux du four | 22 |
| Mise en marche | 22 |
| Arrêt/annulation | 22 |
| Horloge | 23 |
| Signaux sonores | 23 |
| Fahrenheit et Celsius | 23 |
| Minuterie | 23 |
| Verrouillage des commandes | 23 |
| Commande de la température du four | 23 |
| UTILISATION DU FOUR | 24 |
| Papier d'aluminium | 24 |
| Positionnement des grilles et des ustensiles de cuisson | 24 |
| Ustensiles de cuisson au four | 25 |
| Évent du four | 25 |
| Cuisson au four et rôtissage | 25 |
| Cuisson au gril | 26 |
| ENTRETIEN DE LA CUISINIÈRE | 27 |
| Nettoyage général | 27 |
| Lampe du four | 28 |
| Porte du four | 28 |
| Enlèvement du panneau au fond du four | 29 |
| DÉPANNAGE | 29 |
| ASSISTANCE OU SERVICE | 31 |
| Au Canada | 31 |
| Accessoires | 31 |
| GARANTIE | 31 |

RANGE SAFETY

Your safety and the safety of others are very important.

We have provided many important safety messages in this manual and on your appliance. Always read and obey all safety messages.



This is the safety alert symbol.

This symbol alerts you to potential hazards that can kill or hurt you and others.

All safety messages will follow the safety alert symbol and either the word “DANGER” or “WARNING.”

These words mean:

⚠ DANGER

You can be killed or seriously injured if you don't immediately follow instructions.

⚠ WARNING

You can be killed or seriously injured if you don't follow instructions.

All safety messages will tell you what the potential hazard is, tell you how to reduce the chance of injury, and tell you what can happen if the instructions are not followed.

WARNING: If the information in this manual is not followed exactly, a fire or explosion may result causing property damage, personal injury or death.

- Do not store or use gasoline or other flammable vapors and liquids in the vicinity of this or any other appliance.
- **WHAT TO DO IF YOU SMELL GAS:**
 - Do not try to light any appliance.
 - Do not touch any electrical switch.
 - Do not use any phone in your building.
 - Immediately call your gas supplier from a neighbor's phone. Follow the gas supplier's instructions.
 - If you cannot reach your gas supplier, call the fire department.
- Installation and service must be performed by a qualified installer, service agency or the gas supplier.

WARNING: Gas leaks cannot always be detected by smell.

Gas suppliers recommend that you use a gas detector approved by UL or CSA.

For more information, contact your gas supplier.

If a gas leak is detected, follow the “What to do if you smell gas” instructions.

State of California Proposition 65 Warnings:

WARNING: This product contains one or more chemicals known to the State of California to cause cancer.

WARNING: This product contains one or more chemicals known to the State of California to cause birth defects or other reproductive harm.

The Anti-Tip Bracket

The range will not tip during normal use. However, the range can tip if you apply too much force or weight to the open door without the anti-tip bracket fastened down properly.



⚠️ WARNING

Tip Over Hazard

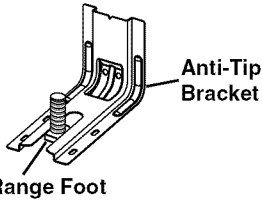
A child or adult can tip the range and be killed.

Verify the anti-tip bracket has been properly installed and engaged per installation instructions.

Re-engage anti-tip bracket if range is moved.

Do not operate range without anti-tip bracket installed and engaged.

Failure to follow these instructions can result in death or serious burns to children and adults.



To verify the anti-tip bracket is installed and engaged:

- Slide range forward.
- Look for the anti-tip bracket securely attached to floor or wall.
- Slide range back so rear range foot is under anti-tip bracket.
- See installation instructions for details.

IMPORTANT SAFETY INSTRUCTIONS

WARNING: To reduce the risk of fire, electrical shock, injury to persons, or damage when using the range, follow basic precautions, including the following:

- **WARNING:** TO REDUCE THE RISK OF TIPPING OF THE RANGE, THE RANGE MUST BE SECURED BY PROPERLY INSTALLED ANTI-TIP DEVICES. TO CHECK IF THE DEVICES ARE INSTALLED PROPERLY, SLIDE RANGE FORWARD, LOOK FOR ANTI-TIP BRACKET SECURELY ATTACHED TO FLOOR OR WALL, AND SLIDE RANGE BACK SO REAR RANGE FOOT IS UNDER ANTI-TIP BRACKET.
- **WARNING:** NEVER use this appliance as a space heater to heat or warm the room. Doing so may result in carbon monoxide poisoning and overheating of the oven.
- **WARNING:** NEVER cover any slots, holes or passages in the oven bottom or cover an entire rack with materials such as aluminum foil. Doing so blocks air flow through the oven and may cause carbon monoxide poisoning. Aluminum foil linings may also trap heat, causing a fire hazard.
- **CAUTION:** Do not store items of interest to children in cabinets above a range or on the backguard of a range – children climbing on the range to reach items could be seriously injured.

- Proper Installation – The range, when installed, must be electrically grounded in accordance with local codes or, in the absence of local codes, with the *National Electrical Code, ANSI/NFPA 70*. In Canada, the range must be electrically grounded in accordance with Canadian Electrical Code. Be sure the range is properly installed and grounded by a qualified technician.
- This range is equipped with a three-prong grounding plug for your protection against shock hazard and should be plugged directly into a properly grounded receptacle. Do not cut or remove the grounding prong from this plug.
- Disconnect power before servicing.
- Injuries may result from the misuse of appliance doors or drawers such as stepping, leaning, or sitting on the doors or drawers.
- Maintenance – Keep range area clear and free from combustible materials, gasoline, and other flammable vapors and liquids.
- Storage in or on the Range – Flammable materials should not be stored in an oven or near surface units.
- Top burner flame size should be adjusted so it does not extend beyond the edge of the cooking utensil.

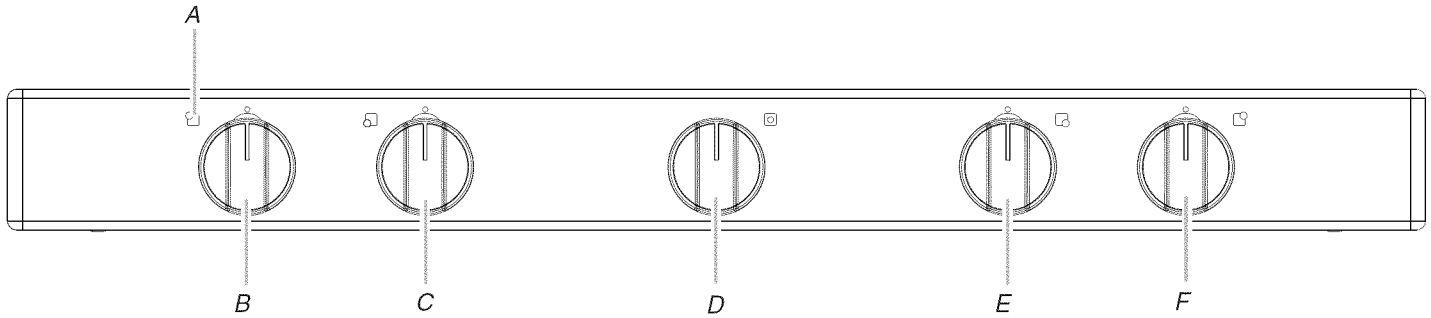
For self-cleaning ranges –

- Before Self-Cleaning the Oven – Remove broiler pan and other utensils. Wipe off all excessive spillage before initiating the cleaning cycle.

SAVE THESE INSTRUCTIONS

COOKTOP USE

Cooktop Controls



A. Surface burner locator
 B. Left rear burner control knob
 C. Left front burner control knob

D. Center burner control knob
 E. Right front burner control knob
 F. Right rear burner control knob

WARNING



Fire Hazard

Do not let the burner flame extend beyond the edge of the pan.

Turn off all controls when not cooking.

Failure to follow these instructions can result in death or fire.

Electric igniters automatically light the surface burners when control knobs are turned to LITE.

Before setting a control knob, place filled cookware on the grate. Do not operate a burner using empty cookware or without cookware on the grate.

IMPORTANT: Do not lift the cooktop on sealed burner models. Lifting the cooktop can lead to damage and improper operation of the range.

To Set Burner Temperature:

1. Push in and turn knob counterclockwise to LITE.
 All surface burners will click. Only the burner with the control knob turned to LITE will produce a flame.
2. Turn knob to anywhere between High and Low. The clicking will stop. Use the following chart as a guide when setting heat levels.

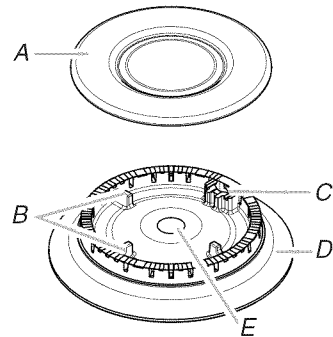
| SETTING | RECOMMENDED USE |
|-------------|--|
| LITE | <ul style="list-style-type: none"> Light the burner. |
| High | <ul style="list-style-type: none"> Start food cooking. Bring liquid to a boil. |

| SETTING | RECOMMENDED USE |
|---------------------|---|
| Med (medium) | <ul style="list-style-type: none"> Hold a rapid boil. Quickly brown or sear food. Fry or sauté foods. Cook soups, sauces and gravies. Stew or steam foods. |
| Low | <ul style="list-style-type: none"> Keep food warm. Simmer (use smallest burners). |

Power failure

In case of prolonged power failure, the surface burners can be lit manually. Hold a lit match near a burner and turn knob counterclockwise to LITE. After burner lights, turn knob to setting.

Surface Burners

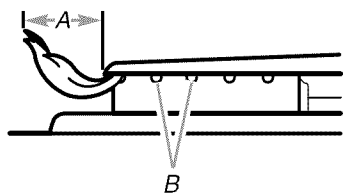


A. Burner cap
 B. Alignment pins
 C. Igniter
 D. Burner base
 E. Gas tube opening

IMPORTANT: Do not obstruct the flow of combustion and ventilation air around the burner grate edges.

Burner cap: Always keep the burner cap in place when using a surface burner. A clean burner cap will help avoid poor ignition and uneven flames. Always clean the burner cap after a spillover and routinely remove and clean the caps according to the "General Cleaning" section.

Gas tube opening: Gas must flow freely throughout the gas tube opening for the burner to light properly. Keep this area free of soil and do not allow spills, food, cleaning agents or any other material to enter the gas tube opening. Keep spillovers out of the gas tube by always using a burner cap.



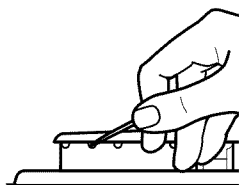
A. 1-1½" (2.5-3.8 cm)
B. Burner ports

Burner ports: Check burner flames occasionally for proper size and shape as shown above. A good flame is blue in color, not yellow. Keep this area free of soil and do not allow spills, food, cleaning agents or any other material to enter the burner ports.

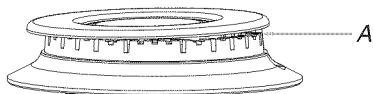
To Clean:

IMPORTANT: Before cleaning, make sure all controls are off and the oven and cooktop are cool. Do not use oven cleaners, bleach or rust removers.

1. Remove the surface grates.
2. Remove the burner cap from the burner base and clean according to "General Cleaning" section.
3. Clean the gas tube opening with a damp cloth.
4. Clean clogged burner ports with a straight pin as shown. Do not enlarge or distort the port. Do not use a wooden toothpick. If the burner needs to be adjusted, contact a trained repair specialist.



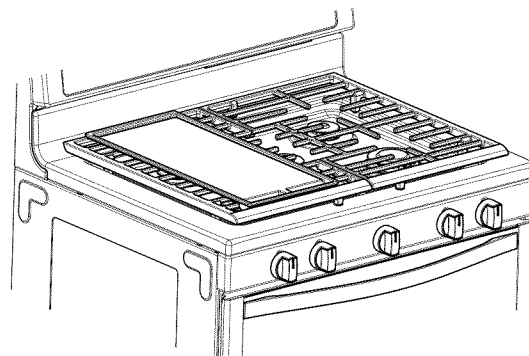
5. Replace the burner cap, making sure the alignment pins are properly aligned with the burner cap.



A. Incorrect
B. Correct

6. Replace the surface grates.
7. Turn on the burner. If the burner does not light, check cap alignment. If the burner still does not light, do not service the burner yourself. Contact a trained repair specialist.

Griddle



IMPORTANT: To avoid damage to griddle, the griddle is to be used on the side burners only and with low flame.

Before First Use:

Wash the griddle with warm soapy water. Rinse and dry thoroughly. To avoid sticking, rub the surface with vegetable oil, and wipe excess off with a paper towel.

- Do not leave empty griddle on a hot surface cooking area or surface burner.
- Do not overheat the griddle. The nonstick coating could be damaged.
- The griddle should not be used to bake, broil or microwave.
- To reduce spattering or grease spillover while cooking, avoid cooking food with excess fat.
- To preserve durability, do not cut food on the griddle.
- Avoid use of metal utensils.

Home Canning

When canning for long periods, alternate the use of surface burners between batches. This allows time for the most recently used areas to cool.

- Center the canner on the grate above the burner.
- Do not place canner on 2 surface burners at the same time.
- For more information, contact your local agricultural department. Companies that manufacture home canning products can also offer assistance.

Cookware

IMPORTANT: Do not leave empty cookware on a hot surface cooking area, element or surface burner.

Ideal cookware should have a flat bottom, straight sides and a well-fitting lid, and the material should be of medium-to-heavy thickness.

Rough finishes may scratch the cooktop or grates. Aluminum and copper may be used as a core or base in cookware. However, when used as a base they can leave permanent marks on the cooktop or grates.

Cookware material is a factor in how quickly and evenly heat is transferred, which affects cooking results. A nonstick finish has the same characteristics as its base material. For example, aluminum cookware with a nonstick finish will take on the properties of aluminum.

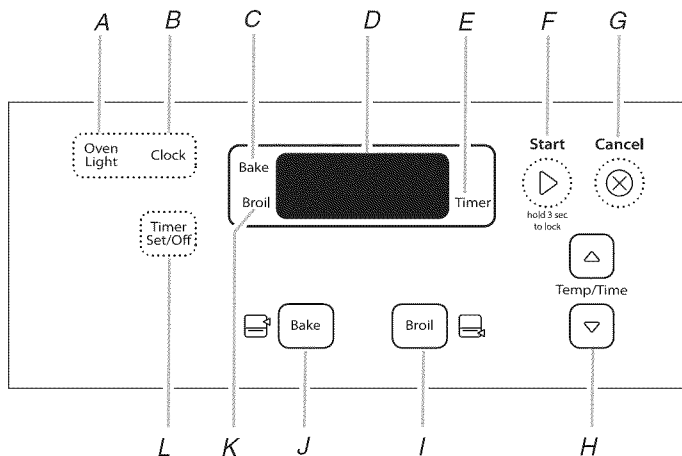
Cookware with nonstick surfaces should not be used under the broiler.

Use the following chart as a guide for cookware material characteristics.

| COOKWARE | CHARACTERISTICS |
|---------------------------------|--|
| Aluminum | <ul style="list-style-type: none"> ■ Heats quickly and evenly. ■ Suitable for all types of cooking. ■ Medium or heavy thickness is best for most cooking tasks. |
| Cast iron | <ul style="list-style-type: none"> ■ Heats slowly and evenly. ■ Good for browning and frying. ■ Maintains heat for slow cooking. |
| Ceramic or Ceramic glass | <ul style="list-style-type: none"> ■ Follow manufacturer's instructions. ■ Heats slowly, but unevenly. ■ Ideal results on low to medium heat settings. |

| COOKWARE | CHARACTERISTICS |
|---|--|
| Copper | <ul style="list-style-type: none"> ■ Heats very quickly and evenly. |
| Earthenware | <ul style="list-style-type: none"> ■ Follow manufacturer's instructions. ■ Use on low heat settings. |
| Porcelain enamel-on-steel or cast iron | <ul style="list-style-type: none"> ■ See stainless steel or cast iron. |
| Stainless steel | <ul style="list-style-type: none"> ■ Heats quickly, but unevenly. ■ A core or base of aluminum or copper on stainless steel provides even heating. |

ELECTRONIC OVEN CONTROL



- | | |
|--------------------------|--------------------------|
| A. Oven light | G. Off/cancel |
| B. Clock | H. Temp/time |
| C. Bake indicator light | I. Broil |
| D. Display | J. Bake |
| E. Timer indicator light | K. Broil indicator light |
| F. Start (control lock) | L. Timer set/off |

Display

When power is first supplied to the appliance, a flashing time will appear on the display. Press OFF/CANCEL to clear flashing time from the display.

If flashing time appears, a power failure has occurred. Press OFF/CANCEL and reset the clock if needed.

When the oven is not in use, the display shows the time of day.

When performing a cook or timer function, the display will show either hours and minutes, or minutes and seconds.

Oven Indicator Lights

The indicator lights are located on both sides of the display. The indicator lights light up or flash when the oven is in one of the following modes: Bake, Broil or Timer.

Start

Start begins any oven function. If Start is not pressed within 5 seconds after pressing a function pad, the Push to Start ("PSH") indicator light will flash and the push to start tone will sound as a reminder.

If Start is not pressed within 1 minute after pressing a function pad, the oven display will return to the time of day mode and the programmed function will be canceled.

Off/Cancel

Off/Cancel stops any function except the Clock, Timer and Control Lock.

Clock

This is a 12-hour clock and does not show a.m. or p.m.

To Set:

Before setting, make sure the oven and Timer are off. Press OFF/CANCEL to cancel the oven, and press TIMER SET/OFF twice to cancel the timer.

1. Press CLOCK.
2. Press the TEMP/TIME "up" or "down" arrow pads to set the time of day.
3. Press CLOCK or START.

Tones

Tones are audible signals, indicating the following:

One tone

- Valid pad press
- Oven is preheated (long tone)
- Function has been entered

Three tones

- Invalid pad press
- Push to start reminder

Cycling tones

- End of cycle

Fahrenheit and Celsius

The temperature is preset at Fahrenheit, but can be changed to Celsius.

To Change: Press and hold BROIL for 5 seconds. A tone will sound, and “C” will appear on the display. Repeat to change back to Fahrenheit. To exit mode, press OFF/CANCEL or wait 3 seconds.

Timer

The timer can be set in hours or minutes up to 12 hours and 59 minutes, and counts down the set time either in hours and minutes, or in minutes and seconds. The timer does not start or stop the oven.

To Set:

1. Press TIMER SET/OFF. The timer indicator light will light up.
2. Press the TEMP/TIME “up” or “down” arrow pads to set the length of time.
3. Press START. When the set time ends, end-of-cycle tones will sound.
4. Press TIMER SET/OFF pad twice anytime to cancel the timer and reminder tones.

If Off/Cancel is pressed, the oven will turn off and the cook function will be disabled.

To display the time of day for 5 seconds when the timer is counting down, press CLOCK.

If Start is not pressed within 5 seconds after pressing Timer Set/Off or Temp/Time arrow pads, the “PSH” indicator light will flash and the push to start tone will sound as a reminder. If no action is taken after 1 minute, the display will return to the time of day or bake or broil mode

The timer can be reprogrammed to change the time while it is running.

To Reprogram:

1. Press TIMER SET/OFF.
2. Press the TEMP/TIME “up” or “down” arrow pads to adjust time.
3. Press START.

Control Lock

The Control Lock function blocks the control panel pads to avoid unintended use of cook functions.

When the control is locked, only Clock, Oven Light and Timer Set/Off will function.

To Lock/Unlock Control: Before locking, make sure the cook functions are off. Press and hold START for 3 seconds, and “Loc” will appear on the display. Repeat to unlock. “Loc” will disappear from the display.

Oven Temperature Control

IMPORTANT: Do not use a thermometer to measure oven temperature because opening the oven door may cause the burner cycling to give incorrect readings.

The oven provides accurate temperatures; however, it may cook faster or slower than your previous oven, so the temperature calibration can be adjusted. It can be changed in Fahrenheit or Celsius.

A minus sign means the oven will be cooler by the displayed amount. The absence of a minus sign means the oven will be warmer by the displayed amount. Use the following chart as a guide.

| ADJUSTMENT °F (ADJUSTMENT °C) | COOKS FOOD |
|----------------------------------|--------------------|
| 10°F (6°C) | ...a little more |
| 20°F (11°C) | ...moderately more |
| 30°F (17°C) | ...much more |
| -10°F (-6°C) | ...a little less |
| -20°F (-11°C) | ...moderately less |
| -30°F (-17°C) | ...much less |

To Adjust Oven Temperature Calibration:

1. Press and hold BAKE for 5 seconds until the oven display shows the current calibration, for example “00.”
 2. Press the TEMP/TIME “up” or “down” arrow pad(s) to increase or to decrease the temperature in 10°F (6°C) amounts. The adjustment can be set between 30°F (17°C) and -30°F (-17°C).
 3. Press START to save the adjustment, or press OFF/CANCEL to exit without change.
-

OVEN USE

Odors and smoke are normal when the oven is used the first few times, or when it is heavily soiled.

IMPORTANT: The health of some birds is extremely sensitive to the fumes given off. Exposure to the fumes may result in death to certain birds. Always move birds to another closed and well-ventilated room.

Aluminum Foil

IMPORTANT: To avoid permanent damage to the oven bottom finish and the broiler door handle, do not line the oven bottom with any type of foil or liner.

- On those models with bottom vents, do not block or cover the oven bottom vents.

- For best cooking results, do not cover entire rack with foil because air must be able to move freely.
- To catch spills, place foil on rack below dish. Make sure foil is at least ½" (1.3 cm) larger than the dish and that it is turned up at the edges.

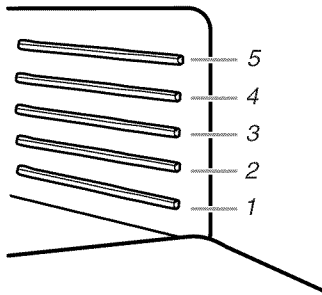
Positioning Racks and Bakeware

IMPORTANT: To avoid permanent damage to the porcelain finish, do not place food or bakeware directly on the oven door or bottom.

RACKS

- Position racks before turning on the oven.
- Do not move racks with bakeware on them.
- Make sure racks are level.

For best performance, cook on one rack. Place the rack so the top of food will be centered in the oven. To move a rack, pull it out to the stop position, raise the front edge, then lift out.

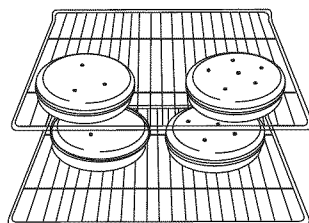


| FOOD | PREHEAT TIME | RACK POSITION |
|---|--------------|---------------|
| Cookies, layer cakes, biscuits | 8-9 min | 2-4 |
| Quick bread, angel food, bundt cakes, pies, pizza | 7 min | 3 |
| Muffins, cupcakes, brownies | 6 min | 4 |
| Large roasts or poultry | N/A | 2 |
| Casseroles | 8-9 min | 3 |

BAKEWARE

To cook food evenly, hot air must be able to circulate. Allow 2" (5 cm) of space around bakeware and oven walls. Use the following chart as a guide.

| NUMBER OF PAN(S) | POSITION ON RACK |
|------------------|---|
| 1 | Center of rack. |
| 2 | Side by side or slightly staggered. |
| 3 or 4 | Use racks 2 and 4. Position bakeware on racks as shown. |

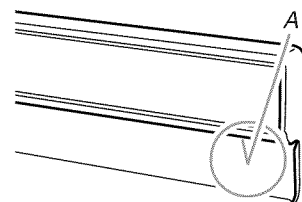


Bakeware

The bakeware material affects cooking results. Follow manufacturer's recommendations and use the bakeware size recommended in the recipe. Use the following chart as a guide.

| BAKEWARE/ RESULTS | RECOMMENDATIONS |
|--|--|
| Light colored aluminum <ul style="list-style-type: none"> ■ Light golden crusts ■ Even browning | <ul style="list-style-type: none"> ■ Use temperature and time recommended in recipe. |
| Dark aluminum and other bakeware with dark, dull and/or nonstick finish <ul style="list-style-type: none"> ■ Brown, crisp crusts | <ul style="list-style-type: none"> ■ May need to reduce baking temperatures slightly. ■ Use suggested baking time. ■ For pies, breads and casseroles, use temperature recommended in recipe. ■ Place rack in center of oven. |
| Insulated cookie sheets or baking pans <ul style="list-style-type: none"> ■ Little or no bottom browning | <ul style="list-style-type: none"> ■ Place in the bottom third of oven. ■ May need to increase baking time. |
| Stainless steel <ul style="list-style-type: none"> ■ Light, golden crusts ■ Uneven browning | <ul style="list-style-type: none"> ■ May need to increase baking time. |
| Stoneware/Baking stone <ul style="list-style-type: none"> ■ Crisp crusts | <ul style="list-style-type: none"> ■ Follow manufacturer's instructions. |
| Ovenproof glassware, ceramic glass or ceramic <ul style="list-style-type: none"> ■ Brown, crisp crusts | <ul style="list-style-type: none"> ■ May need to reduce baking temperatures slightly. |

Oven Vent



A. Oven vent

The oven vent releases hot air and moisture from the oven, and should not be blocked or covered. Blocking or covering the oven vent will cause poor air circulation, affecting cooking and cleaning results. Do not set plastics, paper or other items that could melt or burn near the oven vent.

Baking and Roasting

IMPORTANT: To avoid damage to the interior finish, do not place food or cookware on the oven door or oven bottom.

Before baking and roasting, position racks according to the "Positioning Racks and Bakeware" section.

To Bake or Roast:

1. Press BAKE.

Press TEMP/TIME or TEMP/HOUR "up" or "down" arrow pads to set a temperature other than 350°F (175°C) in 5° amounts. The bake range can be set between 170°F and 500°F (75°C and 260°C).

2. Press START or START/ENTER.

The temperature can be changed at any time after this step by pressing the Temp/Time or Temp/Hour "up" or "down" arrow pads. Start does not need to be pressed again. If baking/roasting while the Timer is counting down, the set baking/roasting temperature can be displayed for 5 seconds by pressing Bake.

3. Press OFF/CANCEL or CANCEL/OFF when finished.

Preheating

After Start is pressed, the oven will enter a timed preheat cycle. The bake indicator light will light up. The Electronic Oven Control automatically selects the preheat cycle time based on the oven temperature selected. The cycle time will not change if the temperature is reset before the cycle countdown ends. Preheat is complete and the oven is ready to use when a 1-second tone sounds, the cycle countdown ends, and the set temperature is displayed.

Preheat temperatures are affected by varying factors such as room temperature and peak energy usage times. It is normal for the temperature showing on the display and the actual oven temperature to differ.

Waiting an additional 10 minutes after the preheat time ends to put food in the oven is suggested when baking foods with leavening ingredients, such as yeast, baking powder, baking soda and eggs.

IMPORTANT: When the oven is baking, the burner in the broiler drawer will be on. Do not store anything in the broiler drawer.

Broiling

BROILER

The broiler is located below the oven door. Use an oven rack for broiling. To remove a rack, pull it out to the stop position, raise the front edge, then lift out. Reverse the steps to replace a rack. Always broil with both the broiler and the oven doors closed.

- To avoid damage to the broiler, do not step on or apply weight to the broiler door while it is open.
- Preheat the broiler before use. Recommended preheat times can be found in the Broiling Chart. Completely close broiler door during broiling.
- Do not use broiler cavity for storage.
- Broiling uses direct radiant heat to cook food. Changing the temperature when broiling allows more precise control when cooking. The lower the temperature, the slower the cooking. Thicker cuts and unevenly shaped pieces of meat, fish and poultry may cook better at lower broiling temperatures
- For best results, use a broiler pan and grid. It is designed to drain juices and help avoid spatter and smoke.

If you would like to purchase a broiler pan, one may be ordered. Please refer to the cover for contact information. Ask for Part Number 4396923.

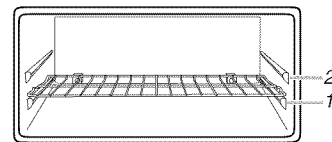
- Pull out the rack to the stop position before turning or removing food. Use tongs to turn food to avoid the loss of juices. Very thin cuts of fish, poultry or meat may not need to be turned.

To Broil:

1. Open the broiler door and pull the rack out to the stop position.
2. Place food on a grid in a broiler pan, then place it in the center of the oven rack.
3. Push the oven rack back to the original position. Close the door to ensure proper broiling temperature.
4. Press BROIL. The BROIL indicator light will light up.
5. Press START. The indicator light will light up. The temperature setting can be changed at any time during broiling. If broiling while the Timer is counting down, the set broiling temperature can be displayed for 5 seconds by touching BROIL.
6. Press OFF/CANCEL or CANCEL/OFF when finished broiling.

BROILING CHART

For best results, place food 3" (7.0 cm) or more from the broil element. Times are guidelines only and may need to be adjusted for individual foods and tastes. Broiling may be affected by the size, weight and thickness of food.



| FOOD | PREHEAT NEEDED? | RACK POSITION | COOK TIME Minutes | |
|--|-----------------|---------------|-------------------|--------|
| | | | SIDE 1 | SIDE 2 |
| Ground meat patties ¾" (1.8 cm) thick, well-done | 5 min | 2 | 6 | 6 |
| Fish fillets 1½" (3.8 cm) thick | 11 min | 1 | 9 | |
| Chicken breasts, boneless | No | 2 | 12 | 18 |
| bone-in | No | 2 | 20 | 16 |
| Frankfurters, well-done | 5 min | 1, 2 | 5 | 3-4 |
| Pork chops 1" (2.5 cm) thick, well-done | No | 2 | 10-11 | 8-9 |
| Steak 1" (2.5 cm) thick, medium rare, | No | 1 | 7 | 5 |
| medium | No | 1 | 11 | 6 |
| well-done | No | 1 | 12-13 | 8 |
| Ham slice, precooked ½" (1.25 cm) thick | No | 2 | 8 | 6 |
| Toast, 9 slices | No | 2 | 3-4 | 1-2 |
| French fries, 18 oz (510 g) | No | 2 | 15-17 | |
| Nuggets, 12 oz (340 g) | No | 2 | 7 | 5 |

RANGE CARE

General Cleaning

IMPORTANT: Before cleaning, make sure all controls are off and the oven and cooktop are cool. Always follow label instructions on cleaning products. Do not wipe down any of the inside surfaces until the oven has completely cooled down. To avoid breaking the glass, do not apply a cool damp cloth to the inner door glass before it has completely cooled.

Soap, water and a soft cloth or sponge are suggested first unless otherwise noted.

EXTERIOR PORCELAIN ENAMEL SURFACES (on some models)

Food spills containing acids, such as vinegar and tomato, should be cleaned as soon as the entire appliance is cool. These spills may affect the finish.

Cleaning Method:

- Glass cleaner, mild liquid cleaner or nonabrasive scrubbing pad:
Gently clean around the model and serial number plate because scrubbing may remove numbers.
- affresh® Kitchen and Appliance Cleaner Part Number W10355010 (not included):
See the “Assistance or Service” section to order.

COOKTOP CONTROLS

To avoid damage to the cooktop controls, do not use steel wool, abrasive cleansers or oven cleaner.

To avoid damage, do not soak knobs.

When replacing knobs, make sure knobs are in the Off position.

On some models, do not remove seals under knobs.

Cleaning Method:

- Warm, soapy water:
Pull knobs straight away from control panel to remove. Gently clean cooktop controls because scrubbing may remove graphics or text.

CONTROL PANEL

To avoid damage to the control panel, do not use abrasive cleaners, steel-wool pads, gritty washcloths or abrasive paper towels.

Cleaning Method:

- Glass cleaner and soft cloth or sponge:
Apply glass cleaner to soft cloth or sponge, not directly on panel. Gently clean control panel because scrubbing may remove graphics or text.
- affresh® Kitchen and Appliance Cleaner Part Number W10355010 (not included):
See the “Assistance or Service” section to order.

PORCELAIN-COATED GRATES AND CAPS

Food spills containing acids, such as vinegar and tomato, should be cleaned as soon as the cooktop, grates and caps are cool. These spills may affect the finish.

To avoid chipping, do not bang grates and caps against each other or hard surfaces such as cast iron cookware.

Do not reassemble caps on burners while they are wet.

Cleaning Method:

- Nonabrasive plastic scrubbing pad and mildly abrasive cleanser:
Clean as soon as cooktop, grates and caps are cool.
- Dishwasher (grates only, not caps):
Use the most aggressive cycle. Cooked-on soils should be soaked or scrubbed before going into a dishwasher.
- Gas Grate and Drip Pan Cleaner Part Number 31617:
See the “Assistance or Service” section to order.

GRIDDLE (on some models)

Oil or food residue should be cleaned as soon as the cooktop and the griddle are cool. Do not allow grease to accumulate under the griddle.

Cleaning the griddle in dishwasher can damage the nonstick coating.

The use of abrasive cleaners, steel-wood pads or other abrasive scrubbing pads can damage the nonstick coating.

Cleaning Method:

- Wipe with a dry soft cloth or soft paper towels to remove food particles.
- Warm, soapy water or other cleaner safe for nonstick pans.
- Soft cloth or sponge.

If the griddle is washed, it will need to be coated again with vegetable oil to preserve the nonstick finish as well as the durability of the griddle.

SURFACE BURNERS

See the “Surface Burners” section.

OVEN DOOR EXTERIOR

Cleaning Method:

- Glass cleaner and a soft cloth or sponge:
Apply glass cleaner to soft cloth or sponge, not directly on panel. Do not soak soft cloth or sponge. Gently clean door because scrubbing may remove nameplate.
- affresh® Kitchen and Appliance Cleaner Part Number W10355010 (not included):
See the “Assistance or Service” section to order.

OVEN CAVITY

Food spills should be cleaned when oven cools. At high temperatures, foods react with porcelain and staining, etching, pitting or faint white spots can result.

On some models, the oven door can be removed. See the “Oven Door” section first.

Cleaning Method:

- Steel-wool pad
- Oven cleaner: Follow product label instructions.

OVEN RACKS AND ROASTING RACKS

Cleaning Method:

- Steel-wool pad

Oven Light

The oven light is a standard 40-watt appliance bulb. When the oven door is closed, press OVEN LIGHT to turn on the light.

Before replacing, make sure the oven and cooktop are cool and the control knobs are off.

To Replace:

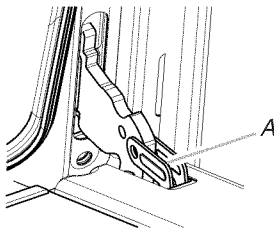
1. Unplug range or disconnect power.
 2. Turn bulb counterclockwise to remove from socket.
 3. Replace bulb.
 4. Plug in range or reconnect power.
-

Oven Door

For normal range use, it is not suggested to remove the oven door. However, if removal is necessary, make sure the oven is off and cool. Then, follow these instructions. The oven door is heavy.

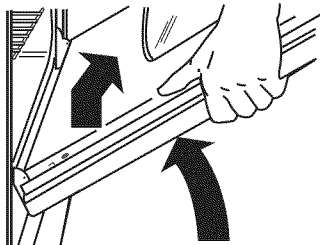
To Remove:

1. Open the oven door. Insert the hinge locks into both hinge hangers. See following illustration. Do not unlock hinges while the door is removed from the range.



A. Hinge lock

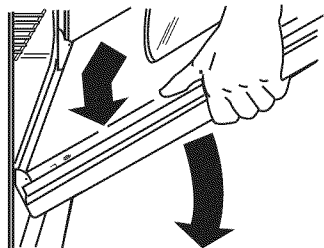
2. Grasp the door on the sides with your fingers on the front of the door and your thumbs on the inside surface.



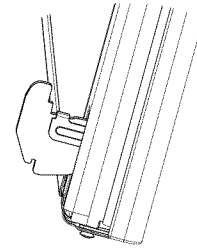
3. Pull door straight up, then toward you. Do not unlock the hinges until the door is replaced on the range.

To Replace:

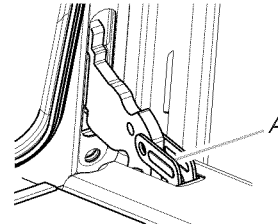
1. Grasp the door on the sides with your fingers on the front of the door and your thumbs on the inside surface.



2. Hold oven door so that the top edge of each door slot is horizontal. Insert door hinge into the hinge slots.
3. Tilt top of door toward range. Insert bottom door hinge notch down onto front frame edge.



4. Open the door completely and unlock the hinges.



A. Hinge lock

5. Close the door slowly to assure door side panel clearance and proper hinge engagement.
-

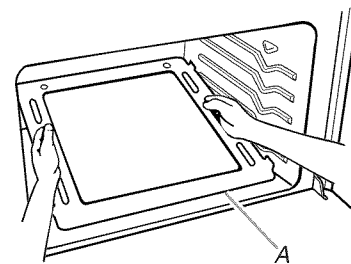
Removing the Oven Bottom

The oven bottom can be removed for standard cleaning of the oven.

Before cleaning, make sure the oven is completely cool.

To Remove:

1. Remove the oven racks.
2. Place fingers in the slots in the bottom panel.



A. Lip

3. Lift the rear of the panel up and back. The lip at the front of the panel should clear the front frame of the oven cavity.
4. Lift the bottom up and out.

To Replace:

Reverse the previous steps 1-4.

TROUBLESHOOTING

Try the solutions suggested here first in order to avoid the cost of an unnecessary service call.

Nothing will operate

⚠ WARNING



Electrical Shock Hazard

Plug into a grounded 3 prong outlet.

Do not remove ground prong.

Do not use an adapter.

Do not use an extension cord.

Failure to follow these instructions can result in death, fire, or electrical shock.

- **Is the power outlet properly wired and polarized?**
Try another outlet to check for proper wiring and polarity.
- **Is the power supply cord unplugged?**
Plug into a properly grounded 3 prong outlet.
- **Has a household fuse been blown, or has a circuit breaker tripped?**
Replace the fuse or reset the circuit breaker. If the problem continues, call an electrician.
- **Is the main or regulator gas shutoff valve in the off position?**
See the Installation Instructions.
- **Is the range properly connected to the gas supply?**
Contact a trained repair specialist or see the Installation Instructions.

Surface burners will not operate

- **Is this the first time the surface burners have been used?**
Turn on any one of the surface burner knobs to release air from the gas lines.
- **Is the control knob set correctly?**
Push in knob before turning to a setting.
- **Are the burner ports clogged?**
See the "Surface Burners" section.

Surface burner flames are uneven, yellow and/or noisy

- **Are the burner ports clogged?**
See the "Surface Burners" section.
- **Are the burner caps positioned properly?**
See the "Surface Burners" section.
- **Is the air/gas mixture correct?**
Contact a designated service technician to check the air/gas mixture, or see the Installation Instructions.
- **Is propane gas being used?**
The appliance may have been converted improperly. Contact a trained repair specialist.

Surface burner makes popping noises

- **Is the burner wet?**
Let it dry.

Gas range noises during Bake and Broil operations

Noises that may be heard during the Bake and Broil operations: Whooshing, Poof, Clicking, Snaps, Pop

These sounds are normal operational noises that can be heard each time the Bake or Broil burners ignite during the cycle.

- A pop can be heard when the gas valve is opening or cycling on and will make a single pop when it snaps open from the solenoid. It sounds similar to a suction cup being pulled off of a piece of glass.
- The igniters will click several times until the flame is detected. These are short clicking sounds like tapping a nail onto a piece of glass.
- A whooshing or poof sound is heard when the Bake or Broil burner ignites.
- On some models, a clicking sound can be heard when the convection fan relay cycles on and off.

Cookware not level on cooktop

- **Is the range level?**
Level the range. See the Installation Instructions.
- **Is the proper cookware being used?**
Use cookware with a flat bottom. See the "Cookware" section.

Excessive heat around cookware on cooktop

- **Is the cookware the proper size?**
Use cookware about the same size as the surface cooking area, element or surface burner. Cookware should not extend more than 1/2" (1.3 cm) outside the cooking area.

Oven will not operate

- **Is the power outlet properly wired and polarized?**
Try another outlet to check for proper wiring and polarity.
- **Is this the first time the oven has been used?**
Turn any one of the surface burner knobs on to release air from the gas lines.
- **Is the electronic oven control set correctly?**
See the "Electronic Oven Control" section.
- **On some models, is the Control Lock set?**
See the "Control Lock" section.
- **Is the main or regulator gas shutoff in the off position?**
Contact a designated service technician or see the Installation Instructions.

Oven makes muffled ticking noise when in use

- This is normal and occurs when the oven burner cycles on and off to hold the set oven temperature.

Oven burner flames are uneven, yellow and/or noisy

- **Is propane gas being used?**
The appliance may have been converted improperly. Contact a trained repair specialist.
- **Is the air/gas mixture correct?**
Contact a designated service technician to check the air/gas mixture or see the Installation Instructions.

Oven temperature too high or too low

- **Does the oven temperature calibration need adjustment?**
See the “Oven Temperature Control” section.

Display shows messages

- **Is the display showing a flashing time?**
There has been a power failure. Press OFF/CANCEL or CANCEL/OFF to clear the display. Reset the clock, if needed. See the “Clock” section.
- **Is the display showing “F” followed by a number?**
Press OFF/CANCEL or CANCEL/OFF to clear the display. If an “F” code appears again, contact a trained repair specialist.

Cooktop cooking results not what expected

- **Is the proper cookware being used?**
See the “Cookware” section.
- **Is the control knob set to the proper heat level?**
See the “Cooktop Controls” section.

Baking results not what expected

- **Is the range level?**
Level the range. See the Installation Instructions.
- **Does the oven temperature calibration need adjustment?**
See the “Oven Temperature Control” section.
- **Was the oven preheated?**
Wait for oven to preheat before placing food in oven.
- **Is the proper oven temperature calibration set?**
See the “Oven Temperature Control” section.
- **Is the proper bakeware being used?**
See the “Bakeware” section.

- **Are the racks positioned properly?**
See the “Positioning Racks and Bakeware” section.
- **Is there proper air circulation around bakeware?**
See the “Positioning Racks and Bakeware” section.
- **Is the batter evenly distributed in the pan?**
Make sure batter is level in the pan.
- **Are baked items too brown on the bottom?**
Decrease oven temperature 10°F to 30°F (5°C to 15°C).
- **Are crust edges browning early?**
Use aluminum foil to cover the edge of the crust and/or reduce baking temperature.

Slow baking or roasting

- **Was the oven preheated?**
Wait for oven to preheat before placing food in oven.
- **Is there proper air circulation around bakeware?**
See the “Positioning Racks and Bakeware” section.
- **Does the oven temperature calibration need adjustment?**
See the “Oven Temperature Control” section.
- **Is the proper length of time being used?**
Increase baking or roasting time.
- **Is the proper temperature set?**
Increase temperature by 25°F (15°C).
- **Has the oven door been opened while cooking?**
Oven peeking releases oven heat and can result in longer cooking times.

Broiler burner fails to light

- **Is the ignition system broken?**
Contact a designated service technician to replace it.
- **Has a household fuse been blown, or has a circuit breaker tripped?**
Replace the fuse or reset the circuit breaker. If the problem continues, call an electrician.

ASSISTANCE OR SERVICE

Before calling for assistance or service, please check "Troubleshooting." It may save you the cost of a service call. If you still need help, follow the instructions below.

When calling, please know the purchase date and the complete model and serial number of your appliance. This information will help us to better respond to your request.

If you need replacement parts

If you need to order replacement parts, we recommend that you use only FSP® replacement parts. FSP® replacement parts will fit right and work right because they are made with the same precision used to build every new WHIRLPOOL® appliance.

To locate FSP® replacement parts in your area, call us or your nearest Whirlpool designated service center.

In the U.S.A.

Call the Whirlpool Customer eXperience Center toll free: **1-800-253-1301** or visit www.whirlpool.com.

Our consultants provide assistance with:

- Features and specifications on our full line of appliances.
- Installation information.
- Use and maintenance procedures.
- Accessory and repair parts sales.
- Specialized customer assistance (Spanish speaking, hearing impaired, limited vision, etc.).
- Referrals to local dealers, repair parts distributors and service companies. Whirlpool designated service technicians are trained to fulfill the product warranty and provide after-warranty service, anywhere in the United States.

To locate the Whirlpool designated service company in your area, you can also look in your telephone directory Yellow Pages.

For further assistance

If you need further assistance, you can write to Whirlpool Corporation with any questions or concerns at:

Whirlpool Brand Home Appliances
Customer eXperience Center
553 Benson Road
Benton Harbor, MI 49022-2692

Please include a daytime phone number in your correspondence.

In Canada

Call the Whirlpool Canada LP Customer eXperience Centre toll free: **1-800-807-6777**, or visit our website at www.whirlpool.ca.

Our consultants provide assistance with:

- Features and specifications on our full line of appliances.
- Use and maintenance procedures.
- Accessory and repair parts sales.
- Referrals to local dealers, repair parts distributors, and service companies. Whirlpool Canada LP designated service technicians are trained to fulfill the product warranty and provide after-warranty service, anywhere in Canada.

For further assistance

If you need further assistance, you can write to Whirlpool Canada LP with any questions or concerns at:

Customer eXperience Centre
Whirlpool Canada LP
200 - 6750 Century Ave.
Mississauga, Ontario L5N 0B7

Please include a daytime phone number in your correspondence.

Accessories

affresh® Stainless Steel Cleaner

(stainless steel models)

Order Part Number W10355016

affresh® Kitchen and Appliance Cleaner

Order Part Number W10355010

Gas Grate and Drip Pan Cleaner

Order Part Number 31617

Broiler Pan

Order Part Number 4396923

WHIRLPOOL CORPORATION MAJOR APPLIANCE WARRANTY

ONE YEAR LIMITED WARRANTY

For one year from the date of purchase, when this major appliance is installed, operated and maintained according to instructions attached to or furnished with the product, Whirlpool Corporation or Whirlpool Canada LP (hereafter "Whirlpool") will pay for Factory Specified Parts and repair labor to correct defects in materials or workmanship that existed when this major appliance was purchased or at its sole discretion replace the product. If replaced, the product will be covered by the remaining one-year limited warranty of the original unit.

YOUR SOLE AND EXCLUSIVE REMEDY UNDER THIS LIMITED WARRANTY SHALL BE PRODUCT REPAIR AS PROVIDED HEREIN. Service must be provided by a Whirlpool designated service company. This limited warranty is valid only in the United States or Canada and applies only when the major appliance is used in the country in which it was purchased. Outside the 50 United States and Canada, this limited warranty does not apply. This limited warranty is effective from the date of original consumer purchase. Proof of original purchase date is required to obtain service under this limited warranty.

ITEMS EXCLUDED FROM WARRANTY

This limited warranty does not cover:

1. Service calls to correct the installation of your major appliance, to instruct you on how to use your major appliance, to replace or repair house fuses, or to correct house wiring or plumbing.
2. Service calls to repair or replace appliance light bulbs, air filters or water filters. Consumable parts are excluded from warranty coverage.
3. Repairs when your major appliance is used for other than normal, single-family household use or when it is used in a manner that is contrary to published user or operator instructions and/or installation instructions.
4. Damage resulting from accident, alteration, misuse, abuse, fire, flood, acts of God, improper installation, installation not in accordance with electrical or plumbing codes, or use of consumables or cleaning products not approved by Whirlpool.
5. Cosmetic damage, including scratches, dents, chips or other damage to the finish of your major appliance, unless such damage results from defects in materials or workmanship and is reported to Whirlpool within 30 days from the date of purchase.
6. Any food loss due to refrigerator or freezer product failures.
7. Costs associated with the removal from your home of your major appliance for repairs. This major appliance is designed to be repaired in the home and only in-home service is covered by this warranty.
8. Repairs to parts or systems resulting from unauthorized modifications made to the appliance.
9. Expenses for travel and transportation for product service if your major appliance is located in a remote area where service by an authorized Whirlpool servicer is not available.
10. The removal and reinstallation of your major appliance if it is installed in an inaccessible location or is not installed in accordance with published installation instructions.
11. Major appliances with original model/serial numbers that have been removed, altered or cannot be easily determined. This warranty is void if the factory applied serial number has been altered or removed from your major appliance.
12. Removal or replacement of trim, decorative panels, flooring, cabinetry, islands, countertops, drywall or other built-in fixtures that interfere with servicing, removal or replacement of the product.

The cost of repair or replacement under these excluded circumstances shall be borne by the customer.

DISCLAIMER OF IMPLIED WARRANTIES

IMPLIED WARRANTIES, INCLUDING ANY IMPLIED WARRANTY OF MERCHANTABILITY OR IMPLIED WARRANTY OF FITNESS FOR A PARTICULAR PURPOSE, ARE LIMITED TO ONE YEAR OR THE SHORTEST PERIOD ALLOWED BY LAW. Some states and provinces do not allow limitations on the duration of implied warranties of merchantability or fitness, so this limitation may not apply to you. This warranty gives you specific legal rights, and you also may have other rights that vary from state to state or province to province.

DISCLAIMER OF REPRESENTATIONS OUTSIDE OF WARRANTY

Whirlpool makes no representations about the quality, durability, or need for service or repair of this major appliance other than the representations contained in this warranty. If you want a longer or more comprehensive warranty than the limited warranty that comes with this major appliance, you should ask Whirlpool or your retailer about buying an extended warranty.

LIMITATION OF REMEDIES; EXCLUSION OF INCIDENTAL AND CONSEQUENTIAL DAMAGES

YOUR SOLE AND EXCLUSIVE REMEDY UNDER THIS LIMITED WARRANTY SHALL BE PRODUCT REPAIR AS PROVIDED HEREIN. WHIRLPOOL SHALL NOT BE LIABLE FOR INCIDENTAL OR CONSEQUENTIAL DAMAGES. Some states and provinces do not allow the exclusion or limitation of incidental or consequential damages, so these limitations and exclusions may not apply to you. This warranty gives you specific legal rights, and you also may have other rights that vary from state to state or province to province.

If outside the 50 United States and Canada, contact your authorized Whirlpool dealer to determine if another warranty applies.

If you need service, first see the "Troubleshooting" section of the Use & Care Guide. After checking "Troubleshooting," you may find additional help by checking the "Assistance or Service" section or by calling Whirlpool. In the U.S.A., call **1-800-253-1301**. In Canada, call **1-800-807-6777**.

6/13

Keep this book and your sales slip together for future reference. You must provide proof of purchase or installation date for in-warranty service.

Write down the following information about your major appliance to better help you obtain assistance or service if you ever need it. You will need to know your complete model number and serial number. You can find this information on the model and serial number label located on the product.

Dealer name _____
Address _____
Phone number _____
Model number _____
Serial number _____
Purchase date _____

SÉCURITÉ DE LA CUISINIÈRE

Votre sécurité et celle des autres est très importante.

Nous donnons de nombreux messages de sécurité importants dans ce manuel et sur votre appareil ménager. Assurez-vous de toujours lire tous les messages de sécurité et de vous y conformer.



Voici le symbole d'alerte de sécurité.

Ce symbole d'alerte de sécurité vous signale les dangers potentiels de décès et de blessures graves à vous et à d'autres.

Tous les messages de sécurité suivront le symbole d'alerte de sécurité et le mot "DANGER" ou "AVERTISSEMENT". Ces mots signifient :

⚠ DANGER

Risque possible de décès ou de blessure grave si vous ne suivez pas immédiatement les instructions.

⚠ AVERTISSEMENT

Risque possible de décès ou de blessure grave si vous ne suivez pas les instructions.

Tous les messages de sécurité vous diront quel est le danger potentiel et vous disent comment réduire le risque de blessure et ce qui peut se produire en cas de non-respect des instructions.

AVERTISSEMENT : Si les renseignements dans ce manuel ne sont pas exactement observés, un incendie ou une explosion peut survenir, causant des dommages au produit, des blessures ou un décès.

- Ne pas entreposer ni utiliser de l'essence ou d'autres vapeurs ou liquides inflammables à proximité de cet appareil ou de tout autre appareil électroménager.
- QUE FAIRE DANS LE CAS D'UNE ODEUR DE GAZ :
 - Ne pas tenter d'allumer un appareil.
 - Ne pas toucher à un commutateur électrique.
 - Ne pas utiliser le téléphone se trouvant sur les lieux.
 - Appeler immédiatement le fournisseur de gaz à partir du téléphone d'un voisin. Suivre ses instructions.
 - À défaut de joindre votre fournisseur de gaz, appeler les pompiers.
- L'installation et l'entretien doivent être effectués par un installateur qualifié, une agence de service ou le fournisseur de gaz.

AVERTISSEMENT : L'odorat ne permet pas toujours la détection d'une fuite de gaz.

Les distributeurs de gaz recommandent l'emploi d'un détecteur de gaz (homologation UL ou CSA).

Pour d'autre information, contacter le fournisseur de gaz local.

En cas de détection d'une fuite de gaz, exécuter les instructions "Que faire dans le cas d'une odeur de gaz".

Avertissements de la proposition 65 de l'État de Californie :

AVERTISSEMENT : Ce produit contient au moins un produit chimique connu par l'État de Californie pour être à l'origine de cancers.

AVERTISSEMENT : Ce produit contient au moins un produit chimique connu par l'État de Californie pour être à l'origine de malformations et autres déficiences de naissance.

La bride antibasculement

Dans des conditions de service normales, la cuisinière ne bascule pas. Elle peut cependant basculer si une force ou un poids excessif est appliqué sur la porte ouverte alors que la bride antibasculement n'est pas convenablement fixée.

⚠ AVERTISSEMENT

Risque de basculement

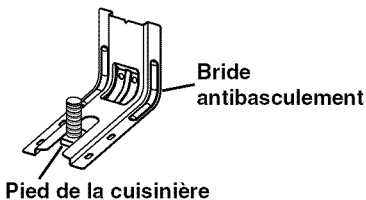
Un enfant ou une personne adulte peut faire basculer la cuisinière, ce qui peut causer un décès.

Vérifier que la bride antibasculement est bien installée et engagée, conformément aux instructions d'installation.

Réengager la bride antibasculement si la cuisinière a été déplacée.

Ne pas faire fonctionner la cuisinière si la bride antibasculement n'est pas installée et engagée.

Le non-respect de ces instructions peut causer un décès ou des brûlures graves aux enfants et aux adultes.



Pour vérifier que la bride antibasculement est bien installée et engagée :

- **Faire glisser la cuisinière vers l'avant.**
- **Vérifier que la bride antibasculement est bien fixée au plancher ou au mur.**
- **Faire de nouveau glisser la cuisinière vers l'arrière de sorte que le pied de la cuisinière se trouve sous la bride antibasculement.**
- **Voir les instructions d'installation pour plus de détails.**

IMPORTANTES INSTRUCTIONS DE SÉCURITÉ

AVERTISSEMENT : Pour réduire le risque d'incendie, de choc électrique, de blessures ou de dommages lors de l'utilisation de la cuisinière, il convient d'observer certaines précautions élémentaires dont les suivantes :

■ **AVERTISSEMENT :** POUR MINIMISER LE RISQUE DE BASCULEMENT DE LA CUISINIÈRE, ELLE DOIT ÊTRE BIEN IMMOBILISÉE PAR DES DISPOSITIFS ANTIBASCULEMENT CORRECTEMENT INSTALLÉS. POUR VÉRIFIER SI LES DISPOSITIFS SONT CORRECTEMENT INSTALLÉS, GLISSER LA CUISINIÈRE VERS L'AVANT ET VÉRIFIER SI LA BRIDE ANTIBASCULEMENT EST BIEN FIXÉE AU PLANCHER OU AU MUR, ET GLISSER LA CUISINIÈRE VERS L'ARRIÈRE POUR QUE LE PIED ARRIÈRE DE LA CUISINIÈRE SOIT SOUS LA BRIDE ANTIBASCULEMENT.

■ **AVERTISSEMENT :** NE JAMAIS utiliser cet appareil comme dispositif de chauffage de la pièce. Le non-respect de cette instruction peut entraîner une intoxication au monoxyde de carbone et une surchauffe du four.

■ **AVERTISSEMENT :** NE JAMAIS couvrir les fentes, trous ou passages d'air au fond du four ou couvrir entièrement une grille avec des matériaux tels que du papier d'aluminium. Le non-respect de cette instruction empêche la circulation de l'air dans le four et peut entraîner une intoxication au monoxyde de carbone. Les feuilles de papier d'aluminium peuvent également retenir la chaleur et créer un risque d'incendie.

■ **MISE EN GARDE :** Ne pas remiser dans des armoires au-dessus de la cuisinière ou sur le dossier d'une cuisinière, des objets que des enfants pourraient vouloir atteindre. Les enfants pourraient se blesser gravement en grimant sur la cuisinière.

- Installation appropriée – La cuisinière, lorsqu'elle est correctement installée, doit être reliée à la terre conformément aux codes électriques locaux ou, en l'absence de codes locaux, selon le *Code électrique national (US) ANSI/NFPA 70* ou le *Code canadien de l'électricité*. S'assurer que la cuisinière est correctement installée et reliée à la terre par un technicien qualifié.
- Cette cuisinière est munie d'une fiche de liaison à la terre à trois broches pour votre protection contre les risques de choc électrique et doit être branchée directement dans une prise de courant bien reliée à la terre. Ne pas couper ni enlever la broche de liaison à la terre de cette fiche.
- Déconnecter la source de courant électrique avant l'entretien.
- Des blessures peuvent survenir du fait d'un mauvais usage des portes ou des tiroirs de l'appareil tel que se tenir debout sur la surface, se pencher ou s'asseoir sur les portes ou tiroirs.
- Entretien – Garder l'espace autour de la cuisinière dégagé et libre de matériaux combustibles, d'essence et d'autres vapeurs et liquides inflammables.
- Remisage dans ou sur la cuisinière – Des produits inflammables ne devraient pas être remisés dans un four ou près des éléments de surface.
- La taille de la flamme des brûleurs de surface devrait être ajustée de sorte qu'elle ne dépasse pas le bord de l'ustensile de cuisson.

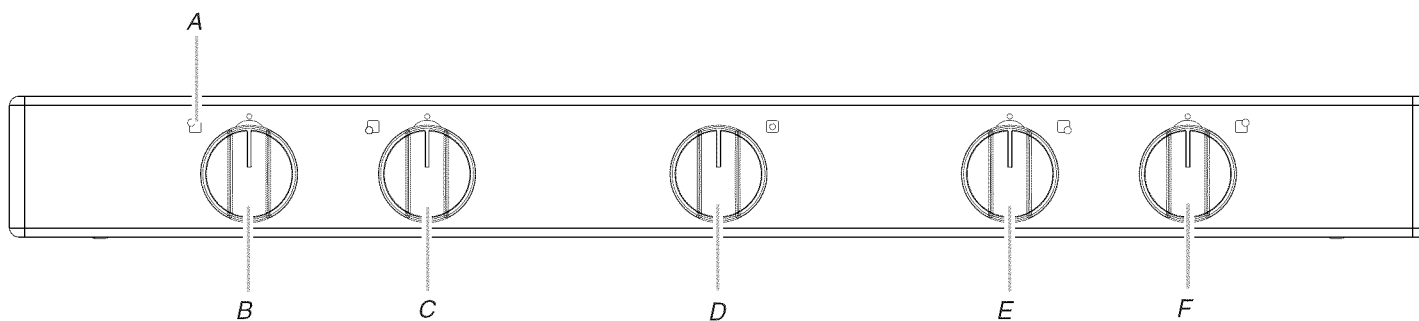
Cuisinière autonettoyante –

- Avant l'autonettoyage du four – Ôter la lèchefrite et son plat et les autres ustensiles. Essuyer tous les renversements excessifs avant de mettre en marche le programme d'autonettoyage.

CONSERVEZ CES INSTRUCTIONS

UTILISATION DE LA TABLE DE CUISSON

Commandes de la table de cuisson



A. Repère du brûleur de surface
B. Bouton de commande du brûleur arrière gauche
C. Bouton de commande du brûleur avant gauche

D. Bouton de commande du brûleur central
E. Bouton de commande du brûleur avant droit
F. Bouton de commande du brûleur arrière droit

⚠ AVERTISSEMENT



Risque d'incendie

La flamme d'un brûleur ne devrait pas dépasser le bord du récipient de cuisson.

Fermer tous les réglages lorsque la cuisson est terminée.

Le non-respect de ces instructions peut causer un décès ou un incendie.

Des allumeurs électriques allument automatiquement les brûleurs de surface lorsque les boutons de commande sont tournés à LITE (allumage).

Avant de régler un bouton de commande, placer l'ustensile de cuisson rempli sur la grille. Ne pas faire fonctionner un brûleur avec un ustensile de cuisson vide ou sans ustensile de cuisson sur la grille.

IMPORTANT : Ne pas soulever la table de cuisson sur les modèles à brûleurs scellés. Le fait de soulever la table de cuisson pourrait conduire à un endommagement et à un mauvais fonctionnement de la cuisinière.

Réglage de la température des brûleurs :

1. Pousser et tourner le bouton dans le sens antihoraire à LITE. Tous les brûleurs de surface émettront un déclic. Seul le brûleur dont le bouton de commande est placé sur LITE produira une flamme.
2. Tourner le bouton n'importe où entre High et Low (élevé et bas). Les déclics cesseront. Utiliser le tableau suivant comme guide lors du réglage des niveaux de chaleur.

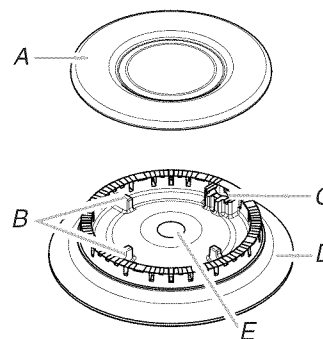
| RÉGLAGE | UTILISATION RECOMMANDÉE |
|-----------------|--|
| LITE (allumage) | <ul style="list-style-type: none"> ■ Allumage du brûleur. |
| High (élevé) | <ul style="list-style-type: none"> ■ Démarrer la cuisson des aliments. ■ Porter un liquide à ébullition. |

| RÉGLAGE | UTILISATION RECOMMANDÉE |
|-------------|--|
| Med (moyen) | <ul style="list-style-type: none"> ■ Maintenir une ébullition rapide. ■ Brunir ou saisir rapidement les aliments. ■ Faire frire ou sauter les aliments. ■ Faire cuire les soupes et les sauces. ■ Faire mijoter ou étuver les aliments. |
| Low (bas) | <ul style="list-style-type: none"> ■ Garder les aliments au chaud. ■ Faire mijoter à feu doux (utilisé les plus petits brûleurs). |

Panne de courant

Lors d'une panne de courant prolongée, on peut allumer manuellement les brûleurs de surface. Tenir une allumette allumée près d'un brûleur et tourner le bouton dans le sens antihoraire à LITE. Une fois le brûleur allumé, tourner le bouton au réglage souhaité.

Brûleurs de surface

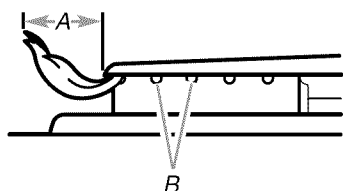


A. Chapeau de brûleur
B. Tiges d'alignement
C. Allumeur
D. Base de brûleur
E. Ouverture du tube d'arrivée de gaz

IMPORTANT : Ne pas entraver l'évacuation de l'air de combustion et de ventilation autour des bords des grilles de brûleur.

Chapeau de brûleur : Toujours garder le chapeau de brûleur en place lorsqu'un brûleur de surface est utilisé. Un chapeau de brûleur propre empêche le mauvais allumage et des flammes inégales. Toujours nettoyer le chapeau du brûleur après un renversement de produits et enlever et nettoyer régulièrement les chapeaux tel qu'indiqué à la section "Nettoyage général".

Ouverture du tube d'arrivée de gaz : Pour que la flamme s'allume convenablement, il faut que le gaz puisse passer librement à travers l'orifice du tube d'arrivée de gaz. Garder cette zone propre et ne pas laisser les produits renversés, les aliments, les agents de nettoyage ou tout autre produit pénétrer dans l'ouverture du tube d'arrivée de gaz. Protéger le tube d'arrivée de gaz contre les renversements en utilisant toujours un chapeau de brûleur.



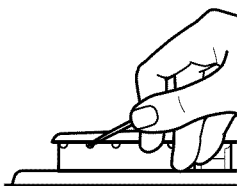
A. 1-1/2" (2,5-3,8 cm)
B. Orifices de brûleur

Orifices de brûleur : Examiner occasionnellement les flammes des brûleurs pour en vérifier la taille et la forme tel qu'indiqué ci-dessus. Une bonne flamme est bleue plutôt que jaune. Garder cette zone exempte de souillures et ne pas laisser les produits renversés, les aliments, les agents de nettoyage ou autre produit pénétrer dans les orifices de brûleur.

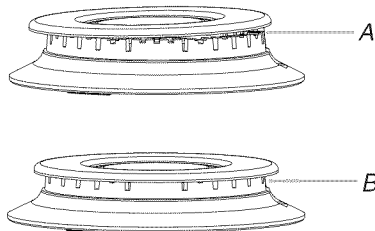
Nettoyage :

IMPORTANT : Avant le nettoyage, s'assurer que toutes les commandes sont éteintes et que le four et la table de cuisson sont froids. Ne pas utiliser de nettoyeurs à four, d'eau de Javel ou de décapants à rouille.

1. Retirer les grilles de surface.
2. Enlever le chapeau de brûleur de la base du brûleur et nettoyer tel qu'indiqué à la section "Nettoyage général".
3. Nettoyer l'ouverture de tube d'arrivée de gaz avec un chiffon humide.
4. Nettoyer les orifices de brûleur obstrués avec une épingle droite tel qu'indiqué. Ne pas agrandir ni déformer l'orifice. Ne pas utiliser un cure-dents en bois. Si le brûleur a besoin d'être ajusté, contacter un technicien de réparation qualifié.



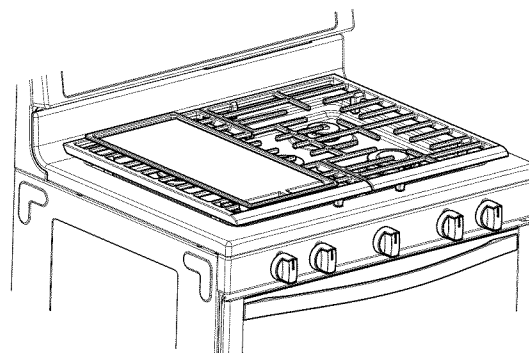
5. Réinstaller le chapeau du brûleur sur le brûleur correspondant, en s'assurant que les tiges d'alignement sont bien alignées avec le chapeau du brûleur.



A. Incorrect
B. Correct

6. Réinstaller les grilles de surface.
7. Allumer le brûleur. Si le brûleur ne s'allume pas, vérifier l'alignement du chapeau. Si le brûleur ne s'allume toujours pas, ne pas faire vous-même l'entretien d'un brûleur. Contacter un technicien de réparation qualifié.

Plaque à frire



IMPORTANT : Afin d'éviter d'endommager la plaque à frire, elle doit être utilisée sur les brûleurs latéraux seulement et à feu doux.

Avant la première utilisation :

Nettoyer la plaque à frire avec de l'eau tiède savonneuse. Rincer et sécher complètement. Pour éviter l'adhésion des aliments, enduire la surface d'huile végétale, et essuyer le surplus avec un essuie-tout.

- Ne pas laisser la plaque à frire vide sur une surface de cuisson ou un brûleur de surface chauds.
- Ne pas surchauffer la plaque à frire. Le revêtement antiadhésif pourrait être abîmé.
- La plaque à frire ne doit pas être utilisée pour cuire au four, au gril ou au four à micro-ondes.
- Pour réduire les éclaboussures ou débordements de graisse pendant la cuisson, éviter de cuire des aliments très gras.
- Pour préserver sa durabilité, ne pas couper d'aliments sur la plaque à frire.
- Éviter l'utilisation d'ustensiles en métal.

Préparation de conserves à la maison

Lors de la préparation de conserves pendant de longues périodes, alterner l'utilisation des brûleurs de surface entre les quantités préparées. Cette alternance permet aux dernières surfaces utilisées de refroidir.

- Centrer l'autoclave sur la grille au-dessus du brûleur.
- Ne pas placer l'autoclave sur deux brûleurs de surface à la fois.
- Pour plus de renseignements, communiquez avec votre service local d'agriculture. Les compagnies qui fabriquent des produits pour la préparation de conserves peuvent aussi offrir de l'aide.

Ustensiles de cuisson

IMPORTANT : Ne pas laisser un ustensile de cuisson vide sur la surface d'une table de cuisson, d'un élément ou d'un brûleur de surface chauds.

Les ustensiles de cuisson idéals doivent avoir un fond plat, des parois droites, un couvercle qui ferme bien et le matériau doit être d'épaisseur moyenne à forte.

Les surfaces rêches peuvent érafler la table de cuisson ou les grilles. L'aluminium et le cuivre peuvent être employés comme fond ou base dans un ustensile de cuisson. Cependant, utilisés comme base, ils peuvent laisser des marques permanentes sur la table de cuisson ou les grilles.

Le matériau d'un ustensile de cuisson affecte la rapidité et l'uniformité de la transmission de la chaleur, ce qui affecte les résultats de cuisson. Un fini antiadhésif a les mêmes caractéristiques que son matériau de base. Par exemple, un ustensile de cuisson en aluminium avec un fini antiadhésif aura les propriétés de l'aluminium.

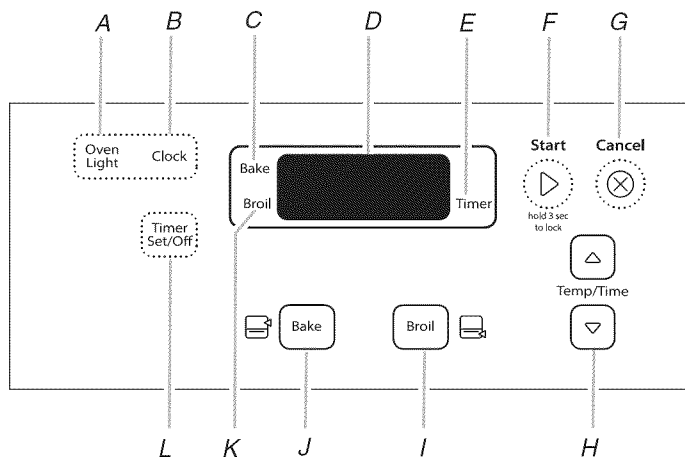
Les ustensiles de cuisson avec des surfaces antiadhésives ne doivent pas être utilisés sous le gril.

Utiliser le tableau suivant comme guide pour les caractéristiques du matériau de l'ustensile de cuisson.

| USTENSILE | CARACTÉRISTIQUES |
|------------------|--|
| Aluminium | <ul style="list-style-type: none"> ■ Chauffe rapidement et uniformément. ■ Convient à tous les genres de cuisson. ■ L'épaisseur moyenne ou forte convient le mieux pour la plupart des tâches de cuisson. |
| Fonte | <ul style="list-style-type: none"> ■ Chauffe lentement et uniformément. ■ Convient pour le brunissage et la friture. ■ Maintient la chaleur pour une cuisson lente. |

| USTENSILE | CARACTÉRISTIQUES |
|---|---|
| Céramique ou vitrocéramique | <ul style="list-style-type: none"> ■ Suivre les instructions du fabricant. ■ Chauffe lentement mais inégalement. ■ Les meilleurs résultats sont obtenus sur les réglages de chaleur basse à moyenne. |
| Cuivre | <ul style="list-style-type: none"> ■ Chauffe très rapidement et de façon uniforme. |
| Terre cuite | <ul style="list-style-type: none"> ■ Suivre les instructions du fabricant. ■ Utiliser des réglages de température basse. |
| Acier émaillé (porcelaine) ou fonte émaillée | <ul style="list-style-type: none"> ■ Voir acier inoxydable ou fonte. |
| Acier inoxydable | <ul style="list-style-type: none"> ■ Chauffe rapidement, mais inégalement. ■ Un fond ou une base d'aluminium ou de cuivre sur l'acier inoxydable procure un chauffage uniforme. |

TABLEAU DE COMMANDE ÉLECTRONIQUE DU FOUR



- A. Lampe du four
- B. Horloge
- C. Témoin lumineux de cuisson au four
- D. Affichage
- E. Témoin lumineux de la minuterie
- F. Mise en marche (verrouillage des commandes)
- G. Arrêt/Annulation
- H. Température/durée
- I. Cuisson au gril
- J. Cuisson au four
- K. Témoin lumineux de cuisson au gril
- L. Réglage/arrêt de la minuterie

Afficheur

Lors de la mise sous tension initiale de l'appareil, une heure clignotante apparaît sur l'afficheur. Appuyer sur OFF/CANCEL (arrêt/annulation) pour effacer l'heure clignotant sur l'affichage.

Si l'heure clignotante apparaît, une panne de courant s'est produite. Appuyer sur OFF/CANCEL et régler l'horloge si nécessaire.

Lorsque le four n'est pas en marche, l'afficheur indique l'heure.

Pendant une cuisson ou lorsqu'on utilise la fonction de minuterie, l'afficheur indique soit heures et minutes, soit minutes et secondes.

Témoins lumineux du four

Les témoins lumineux se trouvent de chaque côté de l'afficheur. Les témoins lumineux s'allument ou clignotent lorsque le four se trouve à l'un des modes suivants : Cuisson au four, cuisson au gril, ou minuterie.

Mise en marche

La touche Start (mise en marche) met en marche toute fonction du four. Si on n'appuie pas sur la touche Start dans les 5 secondes après avoir appuyé sur une touche de fonction, le témoin lumineux d'appui sur la touche Start "PSH" clignotera et le signal de rappel d'appui sur la touche Start sera émis.

Si on n'appuie pas sur la touche Start 1 minute après avoir appuyé sur une touche de fonction, l'afficheur du four retourne au mode de l'heure et la fonction programmée est annulée.

Arrêt/annulation

La touche Off/Cancel (arrêt/annulation) désactive toutes les fonctions à l'exception de l'horloge, de la minuterie et du verrouillage des commandes.

Horloge

Cette horloge de 12 heures n'indique pas a.m. ou p.m.

Réglage :

Avant de procéder au réglage, s'assurer que le four et la minuterie sont désactivés. Appuyer sur OFF/CANCEL (arrêt/annulation) pour désactiver le four et appuyer sur TIMER SET/OFF (réglage/arrêt de la minuterie) deux fois pour annuler la minuterie.

1. Appuyer sur CLOCK (horloge).
 2. Appuyer sur les touches à flèche TEMP/TIME (température/durée) "vers le haut" ou "vers le bas" pour régler l'heure du jour.
 3. Appuyer sur CLOCK (horloge) ou START (mise en marche).
-

Signaux sonores

Les signaux sonores indiquent ce qui suit :

Un signal sonore unique

- Appui sur une touche valide
- Four préchauffé (signal sonore long)
- Fonction entrée

Trois signaux sonores

- Appui sur une touche non valide
- Signal de rappel d'appui sur la touche Start

Signaux de programme

- Fin de programme
-

Fahrenheit et Celsius

Le four est pré-réglé pour un affichage de la température en degrés Fahrenheit, mais on peut permuter en degrés Celsius.

Modification : Appuyer sur la touche BROIL (cuisson au grill) pendant 5 secondes. Un signal sonore se fait entendre et "C" apparaît sur l'affichage. Répéter pour revenir à Fahrenheit. Pour sortir de ce mode, appuyer sur OFF/CANCEL (arrêt/annulation).

Minuterie

La minuterie peut être réglée en heures et minutes jusqu'à concurrence de 12 heures et 59 minutes et effectue le compte à rebours de la durée de cuisson réglée en heures et minutes ou en minutes et secondes. La minuterie ne met pas en marche le four et ne l'éteint pas.

Réglage :

1. Appuyer sur TIMER SET/OFF (réglage/arrêt de la minuterie). Le témoin lumineux de la minuterie s'allume.
2. Appuyer sur les touches à flèche TEMP/TIME (température/durée) "vers le haut" ou "vers le bas" pour régler la durée.
3. Appuyer sur START (mise en marche). Lorsque la durée réglée est écoulée, les signaux sonores de fin de programme retentissent.
4. Appuyer sur TIMER SET/OFF deux fois à tout moment pour annuler la minuterie et les signaux sonores de rappel.

Si on appuie sur la touche Off/Cancel (arrêt/annulation), le four s'éteint et la fonction de cuisson est désactivée.

Pour afficher l'heure pendant 5 secondes lorsque la minuterie effectue le compte à rebours, appuyer sur la touche CLOCK (horloge).

Si on n'appuie pas sur la touche Start dans les 5 secondes après avoir appuyé sur la touche Timer Set/Off ou les touches à flèche Temp/Time, le témoin lumineux "PSH" clignote et le signal de rappel d'appui sur la touche Start est émis. Si aucune action n'est prise au bout d'une minute, l'afficheur retourne au mode d'affichage de l'heure, de cuisson au four ou de cuisson au grill.

La minuterie peut être reprogrammée pendant que le compte à rebours s'effectue.

Pour reprogrammer la minuterie :

1. Appuyer sur TIMER SET/OFF (réglage/arrêt de la minuterie).
 2. Appuyer sur les touches à flèche TEMP/TIME "vers le haut" ou "vers le bas" pour régler la durée.
 3. Appuyer sur START (mise en marche).
-

Verrouillage des commandes

Le verrouillage des commandes désactive les touches du tableau de commande afin d'éviter l'utilisation involontaire des fonctions de cuisson.

Lorsque le tableau de commande est verrouillé, seules les touches Clock (horloge), Oven Light (lampe du four), et Timer (minuterie) fonctionnent.

Pour verrouiller/déverrouiller les commandes : Avant le verrouillage, s'assurer que les fonctions de cuisson sont éteintes. Appuyer sur START pendant 3 secondes; "Loc" apparaît sur l'afficheur. Répéter pour déverrouiller. "Loc" s'effacera de l'afficheur.

Commande de la température du four

IMPORTANT : Ne pas utiliser de thermomètre pour mesurer la température du four car l'ouverture de la porte du four peut provoquer des mesures incorrectes du brûleur à fonctionnement par intermittence.

Le four fournit des températures précises; toutefois, il peut cuire plus rapidement ou plus lentement que votre four précédent, c'est pourquoi le calibrage de la température peut être ajusté. Il peut être changé en degrés Fahrenheit ou Celsius.

Un signe moins signifie que le four sera plus froid du nombre de degrés affiché. L'absence de signe moins signifie que le four sera plus chaud du nombre de degrés affiché. Utiliser le tableau suivant comme guide.

| AJUSTEMENT EN °F (AJUSTEMENT EN °C) | CUIT LES ALIMENTS |
|--|---------------------|
| 10°F (6°C) | ...un peu plus |
| 20°F (11°C) | ...modérément plus |
| 30°F (17°C) | ...beaucoup plus |
| -10°F (-6°C) | ...un peu moins |
| -20°F (-11°C) | ...modérément moins |
| -30°F (-17°C) | ...beaucoup moins |

Ajustement du calibrage de la température du four :

1. Appuyer sur BAKE (cuisson au four) pendant 5 secondes jusqu'à ce que l'afficheur du four indique le calibrage actuel, par exemple "00".
2. Appuyer sur la/les touche(s) à flèche TEMP/TIME, "vers le haut" ou "vers le bas", pour augmenter ou diminuer la température par tranches de 10°F (6°C). L'ajustement peut être réglé entre 30°F (17°C) et -30°F (-17°C).
3. Appuyer sur START (mise en marche) pour sauvegarder l'ajustement, ou appuyer sur OFF/CANCEL (arrêt/annulation) pour sortir sans effectuer de changement.

UTILISATION DU FOUR

Des odeurs et de la fumée sont normales lorsque le four est utilisé les premières fois, ou lorsqu'il est très sale.

IMPORTANT : La santé de certains oiseaux est très sensible aux émanations de fumée. L'exposition aux émanations peut entraîner la mort de certains oiseaux. Toujours déplacer les oiseaux dans une autre pièce fermée et bien aérée.

Papier d'aluminium

IMPORTANT : Pour éviter des dommages permanents au fini du fond du four et la poignée de porte du gril, ne pas recouvrir le fond du four avec du papier d'aluminium ou un revêtement quelconque.

- Sur ces modèles avec événements au bas du four, ne pas bloquer ou recouvrir les événements du bas du four.
- Pour assurer une bonne circulation de l'air et des résultats de cuisson optimaux, ne pas recouvrir la grille entière de papier d'aluminium.
- Pour récupérer les débordements, placer une feuille d'aluminium sur la grille sur laquelle se trouve le plat. Veiller à ce qu'elle dépasse d'au moins 1/2" (1,3 cm) tout autour du plat et relever les bords.

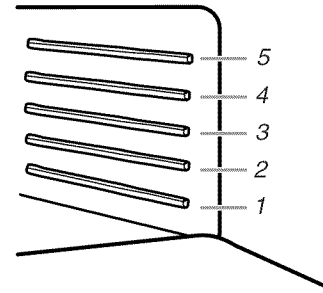
Positionnement des grilles et des ustensiles de cuisson

IMPORTANT : Pour éviter des dommages permanents au fini en porcelaine, ne pas placer d'aliments ou d'ustensiles de cuisson au four directement sur la porte ou le fond du four.

GRILLES

- Placer les grilles avant d'allumer le four.
- Ne pas déplacer les grilles lorsque des ustensiles de cuisson au four se trouvent dessus.
- S'assurer que les grilles sont de niveau.

Pour obtenir le meilleur rendement, faire cuire sur une seule grille. Placer la grille de sorte que le dessus de l'aliment soit au centre du four. Pour déplacer une grille, la tirer jusqu'à la butée d'arrêt, soulever le rebord avant et la tirer pour la sortir du four.

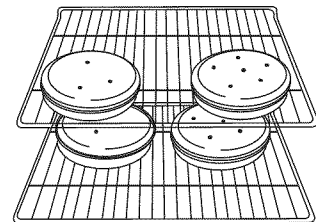


| ALIMENTS | DURÉE DE PRÉCHAUFFAGE | POSITION DE LA GRILLE |
|--|-----------------------|-----------------------|
| Biscuits, gâteaux à étages et gâteaux fourrés | 8-9 min | 2-4 |
| Pain rapide, génoise, gâteaux couronne, tartes, pizzas | 7 min | 3 |
| Muffins, petits gâteaux, brownies | 6 min | 4 |
| Gros rôtis ou volaille rôtie | N/A | 2 |
| Mets en sauce | 8-9 min | 3 |

USTENSILES DE CUISSON AU FOUR

L'air chaud doit pouvoir circuler autour de l'aliment pour le cuire uniformément. Laisser 2" (5 cm) entre les ustensiles de cuisson et les parois du four. Se servir du tableau suivant comme guide.

| NOMBRE D'USTENSILES | POSITION SUR LA GRILLE |
|---------------------|---|
| 1 | Centre de la grille. |
| 2 | Côte à côte ou légèrement décalés. |
| 3 ou 4 | Utiliser les positions 2 et 4. Disposer les ustensiles de cuisson sur les grilles comme illustré. |

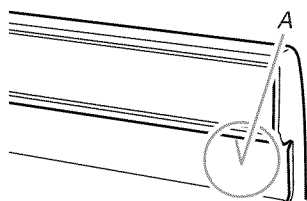


Ustensiles de cuisson au four

Le matériau des ustensiles de cuisson au four affecte les résultats de cuisson. Suivre les recommandations du fabricant et utiliser le format d'ustensiles recommandé dans la recette. Se servir du tableau suivant comme guide.

| USTENSILES DE CUISSON AU FOUR/ RÉSULTATS | RECOMMANDATIONS |
|--|---|
| Aluminium légèrement coloré <ul style="list-style-type: none">■ Croûtes dorées, légères■ Brunissage uniforme | <ul style="list-style-type: none">■ Utiliser la température et la durée recommandées dans la recette. |
| Aluminium foncé et autres ustensiles de cuisson au four avec fini foncé, terne et/ou antiadhésif <ul style="list-style-type: none">■ Croûtes brunes, croustillantes | <ul style="list-style-type: none">■ Peut nécessiter de réduire légèrement les températures de cuisson.■ Utiliser la durée de cuisson suggérée.■ Pour les tartes, pains et mets en sauce, utiliser la température recommandée dans la recette.■ Placer la grille au centre du four. |
| Tôles à biscuits ou moules à cuisson à isolation thermique <ul style="list-style-type: none">■ Brunissage faible ou non existant à la base | <ul style="list-style-type: none">■ Placer à la troisième position au bas du four.■ Peut nécessiter d'augmenter le temps de cuisson. |
| Acier inoxydable <ul style="list-style-type: none">■ Croûtes dorées, légères■ Brunissage inégal | <ul style="list-style-type: none">■ Peut nécessiter d'augmenter le temps de cuisson. |
| Plats en grès/Pierre de cuisson <ul style="list-style-type: none">■ Croûtes croustillantes | <ul style="list-style-type: none">■ Suivre les instructions du fabricant. |
| Plats en verre, vitrocéramique ou céramique allant au four <ul style="list-style-type: none">■ Croûtes brunes, croustillantes | <ul style="list-style-type: none">■ Peut nécessiter de réduire légèrement la température de cuisson. |

Évent du four



A. Évent du four

L'évent du four permet l'évacuation de l'air chaud et de l'humidité du four et ne doit pas être obstrué ou couvert. L'obstruction nuirait à la circulation adéquate de l'air et affecterait les résultats de cuisson et de nettoyage. Ne pas placer près de l'évent du four des produits en plastique, en papier ou autres articles qui pourraient fondre ou brûler.

Cuisson au four et rôtissage

IMPORTANT : Afin d'éviter d'endommager le revêtement intérieur, ne pas placer des aliments ou des ustensiles de cuisson directement sur la porte du four ou le fond du four.

Avant la cuisson au four et le rôtissage, placer les grilles tel qu'indiqué à la section "Positionnement des grilles et des ustensiles de cuisson au four".

Cuisson au four ou rôtissage :

1. Appuyer sur BAKE (cuisson au four).
Appuyer sur les touches à flèche TEMP/TIME ou TEMP/HOUR (vers le haut ou vers le bas) pour régler une température autre que 350°F (175°C) par tranches de 5°. La température de cuisson peut être réglée entre 170°F (75°C) et 500°F (260°C).
2. Appuyer sur START (mise en marche) or START/ENTER (mise en marche/entrée).
La température peut être changée en tout temps après cette étape en appuyant sur les touches à flèche TEMP/TIME (température/durée) ou TEMP/HOUR (température/heure) (vers le haut ou vers le bas). Il n'est pas nécessaire d'appuyer de nouveau sur Start (mise en marche). Si vous faites la cuisson au four/le rôtissage pendant que la minuterie compte à rebours, la température de cuisson au four/rôtissage peut être affichée pendant 5 secondes en appuyant sur Bake (cuisson au four).
3. Appuyer sur OFF/CANCEL (arrêt/annulation) ou CANCEL/OFF (annulation/arrêt) après avoir terminé.

Préchauffage

Après que l'on a appuyé sur Start, le four commence un programme de préchauffage minuté. Le témoin de cuisson au four s'allume. Le tableau de commande électronique du four choisit automatiquement la durée du programme de préchauffage en fonction de la température de four choisie. La durée du programme de conditionnement ne changera pas si la température est réglée de nouveau avant la fin du compte à rebours. Le préchauffage de conditionnement est terminé et le four est prêt à utiliser lorsqu'un signal sonore de 1 seconde se fait entendre, le compte à rebours prend fin et la température choisie est affichée.

Les températures de préchauffage sont affectées par divers facteurs tels que la température ambiante et les heures de pointe de consommation d'énergie. Il est normal que la température indiquée sur l'affichage diffère de la température réelle du four.

On suggère d'attendre dix minutes de plus après la durée de préchauffage avant de mettre les aliments au four lorsqu'on cuit des aliments qui contiennent des ingrédients de levage tels que la levure, la levure chimique, le bicarbonate de sodium et les œufs.

IMPORTANT : Lorsque le four fonctionne, le brûleur du tiroir du gril est activé. Ne rien entreposer dans le tiroir du gril.

Cuisson au grill

GRIL

Le grill est situé en dessous de la porte du four. Utiliser une grille de four pour cuire au grill. Pour retirer une grille, la tirer jusqu'à la position de butée, soulever l'avant, puis extraire. Suivre les étapes dans l'ordre inverse pour réinstaller la grille. Toujours fermer les portes du grill et du four lors de la cuisson au grill.

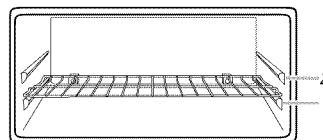
- Pour éviter d'endommager le grill, ne pas marcher sur la porte du grill ou appliquer une pression dessus pendant qu'elle est ouverte.
- Préchauffer le grill avant de l'utiliser. Vous pourrez trouver les temps de préchauffage recommandés dans le tableau de cuisson au grill. Fermer complètement la porte du grill pendant la cuisson au grill.
- Ne pas utiliser la cavité du grill pour remisage.
- La cuisson au grill utilise la chaleur radiante directe pour cuire les aliments. Le changement de température lors de la cuisson au grill permet un contrôle plus précis lors de la cuisson. Plus la température est basse, plus la cuisson est lente. Des morceaux plus épais ou inégaux de viande, de poisson ou de volaille peuvent mieux cuire à des basses températures de cuisson au grill.
- Pour des résultats optimaux, utiliser une lèchefrite et une grille de lèchefrite. Elles sont conçues pour recueillir les jus de cuisson et contribuent à éviter les éclaboussures et la fumée.
Il est possible de commander une lèchefrite. Consulter la couverture pour obtenir des renseignements de contact. Demander le numéro de pièce 4396923.
- Tirer sur la grille jusqu'à la position d'arrêt avant de tourner ou de retirer des aliments. Utiliser une pince pour tourner les aliments et éviter la perte de jus. Il est possible qu'il ne soit pas nécessaire de tourner des coupes très fines de poisson, de volaille ou de viande.

Cuisson au grill :

1. Ouvrir la porte du grill et tirer la grille jusqu'à la position de butée.
2. Disposer les aliments sur une grille de lèchefrite, puis placer celle-ci au centre de la grille du four.
3. Remettre la grille du four à sa position initiale. Fermer la porte pour une température de cuisson au grill adéquate.
4. Appuyer sur BROIL (cuisson au grill). Le témoin BROIL (cuisson au grill) s'allume.
5. Appuyer sur START (mise en marche). Le témoin lumineux s'allume. Le réglage de la température peut être modifié à tout moment pendant la cuisson au grill. Si la cuisinière cuit au grill pendant que la minuterie procède au compte à rebours, la température de cuisson au grill peut être affichée en appuyant sur BROIL (cuisson au grill) pendant 5 secondes.
6. Appuyer sur OFF/CANCEL (arrêt/annulation) ou CANCEL/OFF (annulation/arrêt) après avoir terminé la cuisson au grill.

TABLEAU DE CUISSON AU GRIL

Pour obtenir des résultats optimaux, placer les aliments à au moins 3" (7 cm) de l'élément du grill. Les durées de cuisson sont citées à titre indicatif seulement; il est possible de les ajuster en fonction des aliments et des goûts personnels. La cuisson au grill peut être affectée par la taille, le poids et l'épaisseur des aliments.



| ALIMENTS | PRÉ-CHAUFFAGE NÉCESSAIRE? | POSITION DE LA GRILLE | DURÉE DE CUISSON Minutes | |
|--|---------------------------|-----------------------|--------------------------|---------------------|
| | | | 1 ^{ER} CÔTÉ | 2 ^E CÔTÉ |
| Galettes de viande hachée ¾" (1,8 cm) d'épaisseur, bien cuites | 5 min | 2 | 6 | 6 |
| Filets de poisson 1½" (3,8 cm) d'épaisseur | 11 min | 1 | 9 | |
| Poitrines de poulet, désossées | Non | 2 | 12 | 18 |
| non désossées | Non | 2 | 20 | 16 |
| Saucisses de Francfort, bien cuites | 5 min | 1, 2 | 5 | 3-4 |
| Côtelettes de porc 1" (2,5 cm) d'épaisseur, bien cuites | Non | 2 | 10-11 | 8-9 |
| Steak de 1" (2,5 cm) d'épaisseur, saignant à point, | Non | 1 | 7 | 5 |
| à point | Non | 1 | 11 | 6 |
| bien cuit | Non | 1 | 12-13 | 8 |
| Tranche de jambon précuit ½" (1,25 cm) d'épaisseur | Non | 2 | 8 | 6 |
| Toast, 9 tranches | Non | 2 | 3-4 | 1-2 |
| Frites, 18 oz (510 g) | Non | 2 | 15-17 | |
| Pépites de poulet, 12 oz (340 g) | Non | 2 | 7 | 5 |

ENTRETIEN DE LA CUISINIÈRE

Nettoyage général

IMPORTANT : Avant le nettoyage, s'assurer que toutes les commandes sont désactivées et que le four et la table de cuisson sont refroidis. Toujours suivre les instructions sur les étiquettes des produits nettoyants. Ne nettoyer aucune surface intérieure jusqu'au complet refroidissement du four. Pour éviter de briser la vitre, ne pas appliquer de chiffon humide frais sur la vitre intérieure du four avant son complet refroidissement.

Du savon, de l'eau et un linge doux ou une éponge sont recommandés, à moins d'indication contraire.

SURFACES EXTERNES EN ÉMAIL VITRIFIÉ (sur certains modèles)

Les renversements d'aliments contenant des produits acides, tels que vinaigre et tomates, doivent être nettoyés dès que l'ensemble de l'appareil a refroidi. Ces renversements peuvent affecter le fini.

Méthode de nettoyage :

- Nettoyant à vitre, nettoyant doux liquide ou tampon à récurer non abrasif :
Nettoyer délicatement autour des numéros de modèle et de série car le frottement pourrait en effacer les chiffres.
- Nettoyant pour cuisine et appareils ménagers affresh® - Pièce n° W10355010 (non incluse) :
Voir la section "Assistance ou service" pour placer une commande.

COMMANDES DE LA TABLE DE CUISSON

Pour éviter d'endommager les commandes de la table de cuisson, ne pas utiliser de la laine d'acier ou des produits de nettoyage abrasifs ou un nettoyant pour four.

Afin d'éviter tout dommage, ne pas faire tremper les boutons.

Lors de la réinstallation des boutons, s'assurer que chaque bouton est à la position d'arrêt (Off).

Sur certains modèles, ne pas enlever les joints sous les boutons.

Méthode de nettoyage :

- Eau tiède savonneuse :
Tirer les boutons directement hors du tableau de commande pour les enlever. Nettoyer délicatement les commandes de la table de cuisson car le frottement pourrait en effacer les illustrations ou le texte.

TABLEAU DE COMMANDE

Afin d'éviter d'endommager le tableau de commande, ne pas utiliser des nettoyants abrasifs, tampons en laine d'acier, chiffons de lavage rudes ou d'essuie-tout abrasifs.

Méthode de nettoyage :

- Nettoyant à vitre et chiffon doux ou éponge :
Appliquer le nettoyant à vitre sur un chiffon doux ou une éponge, et non pas directement sur le tableau. Nettoyer délicatement les commandes du tableau de commande car le frottement pourrait en effacer les illustrations ou le texte.
- Nettoyant pour cuisine et appareils ménagers affresh® - Pièce n° W10355010 (non incluse) :
Voir la section "Assistance ou service" pour placer une commande.

GRILLES ET CHAPEAUX ÉMAILLÉS

Les renversements d'aliments contenant des acides, tels que le vinaigre et les tomates, doivent être nettoyés aussitôt que la table de cuisson, les grilles et les chapeaux ont refroidi. Ces renversements peuvent affecter le fini.

Pour éviter l'écaillage, ne pas entrechoquer les grilles et les chapeaux ni les frapper contre des surfaces dures telles que les ustensiles en fonte.

Ne pas réinstaller les chapeaux sur les brûleurs quand ils sont mouillés.

Méthode de nettoyage :

- Tampon à récurer en plastique non abrasif et nettoyant liquide doux légèrement abrasif :
Nettoyer dès que la table de cuisson, les grilles et les chapeaux ont refroidi.
- Lave-vaisselle (grilles seulement, pas les chapeaux) :
Utiliser le programme le plus intensif. Les saletés cuites doivent être trempées ou frottées avant d'être placées au lave-vaisselle.
- Nettoyant pour la grille et cuvette à gaz - Pièce n° 31617B :
Voir la section "Assistance ou service" pour placer une commande.

PLAQUE À FRIRE (sur certains modèles)

Les résidus d'huile ou d'aliments doivent être nettoyés dès que la table de cuisson et la plaque à frire sont froides. Ne pas laisser de matières grasses s'accumuler sous la plaque à frire.

Le nettoyage de la plaque à frire au lave-vaisselle peut endommager le revêtement antiadhésif.

L'utilisation de nettoyants abrasifs, de tampons en laine d'acier ou d'autres tampons à récurer abrasifs peut endommager le revêtement anti-adhésif.

Méthode de nettoyage :

- Essuyer avec un chiffon doux et sec ou des essuie-tout doux pour retirer les résidus d'aliments.
- Savon et eau tiède ou autre nettoyant adapté aux plats à revêtement antiadhésif.
- Chiffon doux ou éponge.

Si la plaque à frire est nettoyée, il faudra à nouveau l'enduire d'huile végétale pour protéger le revêtement antiadhésif et préserver sa durabilité.

BRÛLEURS DE SURFACE

Voir la section "Brûleurs de surface".

EXTÉRIEUR DE LA PORTE DU FOUR

Méthode de nettoyage :

- Nettoyant à vitre et chiffon doux ou éponge :
Appliquer le nettoyant à vitre sur un chiffon doux ou une éponge, et non pas directement sur le tableau. Ne pas tremper le chiffon doux ou l'éponge. Nettoyer délicatement la porte car le frottement pourrait effacer la plaque signalétique.
- Nettoyant pour cuisine et appareils ménagers affresh® - Pièce n° W10355010 (non incluse) :
Voir la section "Assistance ou service" pour placer une commande.

CAVITÉ DU FOUR

Les renversements alimentaires doivent être nettoyés lorsque le four a refroidi. À des températures élevées, les aliments réagissent avec la porcelaine et cette réaction peut entraîner la formation de taches, d'un film de silice, de piqûres ou de légères taches blanches.

Sur certains modèles, on peut retirer la porte du four. Se référer d'abord à "Porte du four".

Méthode de nettoyage :

- Tampon en laine d'acier
- Nettoyant à four : Suivre les instructions du fabricant

GRILLES DU FOUR ET DE RÔTISSAGE

Méthode de nettoyage :

- Tampon en laine d'acier

Lampe du four

La lampe du four comporte une ampoule d'appareils ménagers standard de 40 watts. Appuyer sur l'interrupteur manuel de la lampe du four pour l'allumer et l'éteindre.

Avant le remplacement, s'assurer que la table de cuisson et le four sont froids et que les boutons de commande sont à la position off (arrêt).

Remplacement de l'ampoule :

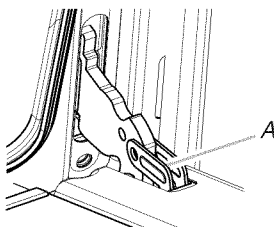
1. Débrancher la cuisinière ou déconnecter la source de courant électrique.
2. Tourner l'ampoule dans le sens antihoraire pour la retirer de la douille.
3. Remplacer l'ampoule.
4. Brancher la cuisinière ou reconnecter la source de courant électrique.

Porte du four

Il n'est pas nécessaire d'enlever la porte du four pour une utilisation normale. Toutefois, s'il est nécessaire de l'enlever, s'assurer que le four est éteint et froid. Puis suivre ces instructions. La porte du four est lourde.

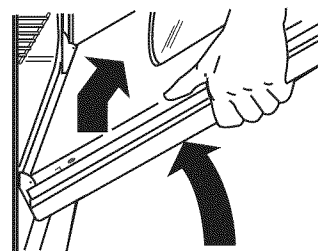
Enlèvement :

1. Ouvrir la porte du four. Insérer les verrous de charnière dans les deux supports de charnière (voir l'illustration suivante). Ne pas déverrouiller les charnières pendant que la porte est démontée.



A. Verrou de charnière

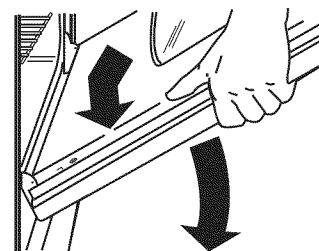
2. Saisir la porte sur les côtés avec les doigts sur le devant de la porte et les pouces sur la surface interne.



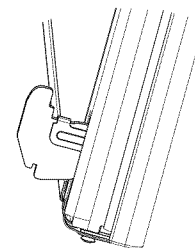
3. Soulever la porte tout droit vers soi. Ne pas déverrouiller les charnières tant que la porte n'est pas réinstallée sur la cuisinière.

Réinstallation :

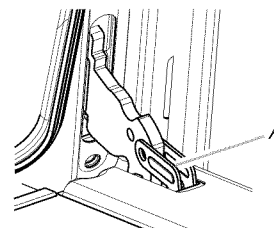
1. Saisir la porte sur les côtés avec les doigts sur le devant de la porte et les pouces sur la surface interne.



2. Tenir la porte du four de telle sorte que le bord supérieur de chaque fente soit horizontal. Insérer la charnière de la porte dans les fentes.
3. Incliner le dessus de la porte vers la cuisinière. Insérer la charnière inférieure de la porte, échancrure vers le bas, sur le bord avant du châssis.



4. Ouvrir complètement la porte et déverrouiller les charnières.



A. Verrou de charnière

5. Fermer la porte lentement pour assurer le dégagement du panneau latéral de la porte et le bon enclenchement de la charnière.

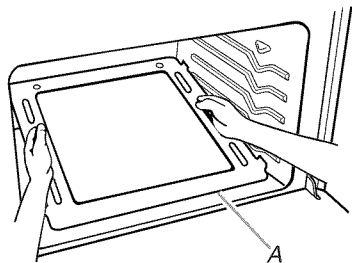
Enlèvement du panneau au fond du four

Le panneau au fond du four peut être enlevé pour le nettoyage standard du four.

Avant le nettoyage, s'assurer que le four est complètement froid.

Enlèvement :

1. Retirer les grilles du four.
2. Placer les doigts dans les fentes dans le panneau inférieur.



A. Lèvre

3. Soulever l'arrière du panneau vers le haut et vers l'arrière. La lèvre à l'avant du panneau devrait se dégager du châssis avant de la cavité du four.
4. Soulever et sortir le panneau.

Réinstallation :

Suivre les étapes 1 à 4 dans l'ordre inverse.

DÉPANNAGE

Essayer les solutions suggérées ici d'abord afin d'éviter le coût d'une visite de service non nécessaire.

Rien ne fonctionne

⚠ AVERTISSEMENT



Risque de choc électrique

Brancher sur une prise à 3 alvéoles reliée à la terre.

Ne pas enlever la broche de liaison à la terre.

Ne pas utiliser un adaptateur.

Ne pas utiliser un câble de rallonge.

Le non-respect de ces instructions peut causer un décès, un incendie ou un choc électrique.

- **Est-ce que la prise de courant est bien raccordée et polarisée?**
Essayer une autre prise pour vérifier que la polarité et le raccordement sont adéquats.
- **Est-ce que le cordon d'alimentation est débranché?**
Brancher sur une prise à trois alvéoles correctement reliée à la terre.
- **Un fusible est-il grillé ou le disjoncteur s'est-il déclenché?**
Remplacer le fusible ou réenclencher le disjoncteur. Si le problème persiste, appeler un électricien.
- **Le robinet principal d'arrêt ou de réglage du gaz est-il à la position fermée?**
Voir les instructions d'installation.
- **La cuisinière est-elle bien raccordée à la canalisation de gaz?**
Contacter un technicien de réparation qualifié ou voir les instructions d'installation.

Les brûleurs de surface ne fonctionnent pas

- **Est-ce la première fois que les brûleurs de surface sont utilisés?**
Allumer n'importe quel brûleur de surface pour libérer l'air des canalisations de gaz.
- **Le bouton de commande est-il réglé correctement?**
Pousser sur le bouton avant de le tourner à un réglage.
- **Les orifices des brûleurs sont-ils obstrués?**
Voir la section "Brûleurs de surface".

Les flammes des brûleurs de surface ne sont pas uniformes, sont de teinte jaune et/ou bruyantes

- **Les orifices des brûleurs sont-ils obstrués?**
Voir la section "Brûleurs de surface".
- **Les chapeaux des brûleurs sont-ils bien installés?**
Voir la section "Brûleurs de surface".
- **Le mélange air/gaz est-il correct?**
Contacter un technicien de service désigné pour vérifier le mélange air/gaz ou voir les instructions d'installation.
- **Utilise-t-on du gaz propane?**
La cuisinière a peut-être été convertie incorrectement. Contacter un technicien de réparation qualifié.

Le brûleur de surface fait de petits bruits

- **Le brûleur est-il mouillé?**
Le laisser sécher.

Bruits émis par la cuisinière à gaz lors des opérations de cuisson au four et de cuisson au grill

Il est possible que l'on entende les bruits suivants lors des opérations de cuisson au four et de cuisson au grill :

Bruits de chuintement, d'affaissement, d'éclatement, cliquetis, claquements

Ces bruits sont des bruits de fonctionnement normaux qui peuvent survenir chaque fois que les brûleurs de cuisson au four ou de cuisson au grill s'allument au cours du programme.

- Il est possible que l'on entende un bruit d'éclatement lorsque le robinet de gaz s'ouvre ou se met en marche; un seul bruit d'éclatement retentira lorsqu'il se libère du solénoïde. Le bruit est similaire au bruit de succion qu'émettrait une ventouse que l'on retire d'une surface de verre.
- Les allumeurs émettront plusieurs déclics jusqu'à ce que la flamme soit détectée. Il s'agit de bruits de claquements courts, similaires au bruit d'un ongle tapotant sur une surface de verre.
- Un bruit de chuintement ou d'affaissement peut se faire entendre lorsque le brûleur de cuisson au four ou de cuisson au gril s'allume.
- Sur certains modèles, un cliquetis peut se faire entendre lorsque le relais du ventilateur de cuisson par convection s'allume et s'éteint par intermittence.

Ustensile de cuisson pas d'aplomb sur la table de cuisson

- **La cuisinière est-elle d'aplomb?**
Régler l'aplomb de la cuisinière. Voir les instructions d'installation.
- **Utilise-t-on un ustensile de cuisson approprié?**
Utiliser un ustensile de cuisson à fond plat. Voir la section "Ustensiles de cuisson".

Chaleur excessive autour des ustensiles de cuisson sur la table de cuisson

- **L'ustensile de cuisson est-il de dimension appropriée?**
Utiliser un ustensile de cuisson à peu près de la même dimension que la surface de cuisson, l'élément ou le brûleur de surface. L'ustensile de cuisson ne doit pas dépasser de plus de 1/2" (1,3 cm) hors de la surface de cuisson.

Le four ne fonctionne pas

- **Est-ce que la prise de courant est bien raccordée et polarisée?**
Essayer une autre prise pour vérifier que la polarité et le raccordement sont adéquats.
- **Est-ce la première fois que le four est utilisé?**
Allumer n'importe quel brûleur de surface pour libérer l'air des canalisations de gaz.
- **La commande électronique du four est-elle correctement réglée?**
Voir la section "Commande électronique du four".
- **Sur certains modèles, le verrouillage des commandes est-il réglé?**
Voir la section "Verrouillage des commandes".
- **Le robinet principal d'arrêt ou de réglage du gaz est-il à la position fermée?**
Contacter un technicien de service désigné ou voir les instructions d'installation.

Le four émet un tic-tac sourd durant l'utilisation

- Ce bruit est normal et se produit lorsque le brûleur du four fonctionne par intermittence pour maintenir la température réglée.

Les flammes du brûleur du four ne sont pas uniformes, sont de teinte jaune ou bruyantes

- **Utilise-t-on du gaz propane?**
La cuisinière a peut-être été convertie incorrectement. Contacter un technicien de réparation qualifié.

- **Le mélange air/gaz est-il correct?**
Contacter un technicien de service désigné pour vérifier le mélange air/gaz ou voir les instructions d'installation.

La température du four est trop élevée ou trop basse

- **Le calibrage de la température du four a-t-il besoin d'être ajusté?**
Voir la section "Commande de température du four".

L'affichage indique des messages

- **L'affichage montre-t-il l'heure clignotante?**
Une panne de courant est survenue. Appuyer sur OFF/CANCEL (arrêt/annulation) ou CANCEL/OFF (annulation/arrêt) pour effacer l'affichage. Régler de nouveau l'horloge si nécessaire. Voir la section "Horloge".
- **L'affichage montre-t-il "F" suivi d'un chiffre?**
Appuyer sur OFF/CANCEL (arrêt/annulation) ou CANCEL/OFF (annulation/arrêt) pour effacer l'affichage. Si le code "F" apparaît de nouveau, contacter un technicien de réparation qualifié.

Les résultats de cuisson de la table de cuisson ne sont pas les résultats prévus

- **Utilise-t-on un ustensile de cuisson approprié?**
Voir la section "Ustensiles de cuisson".
- **Le bouton de commande est-il réglé au niveau approprié de chaleur?**
Voir la section "Commandes de la table de cuisson".

Les résultats de cuisson au four ne sont pas les résultats prévus

- **La cuisinière est-elle d'aplomb?**
Niveler la cuisinière. Voir les instructions d'installation.
- **Le calibrage de la température du four a-t-il besoin d'être ajusté?**
Voir la section "Commande de la température du four".
- **Le four a-t-il été préchauffé?**
Attendre que le four soit préchauffé avant d'y placer les aliments.
- **Le calibrage de la température du four est-il réglé correctement?**
Voir la section "Commande de la température du four".
- **Utilise-t-on un ustensile de cuisson au four approprié?**
Voir la section "Ustensiles de cuisson au four".
- **Les grilles sont-elles à la bonne position?**
Voir la section "Positionnement des grilles et ustensiles de cuisson au four".
- **Existe-t-il une circulation d'air appropriée autour des ustensiles de cuisson?**
Voir la section "Positionnement des grilles et ustensiles de cuisson au four".
- **La pâte est-elle répartie uniformément dans le plat?**
Vérifier pour s'assurer que la pâte est répartie uniformément dans le plat.
- **Les articles cuits au four sont-ils trop bruns à la base?**
Diminuer la température du four de 10°F à 30°F (5°C à 15°C).
- **Les bords des croûtes ont-ils brunis trop tôt?**
Utiliser du papier d'aluminium pour couvrir le bord de la croûte et/ou réduire la température de cuisson au four.

Lenteur de la cuisson au four ou du rôtissage

- **Le four a-t-il été préchauffé?**
Attendre que le four soit préchauffé avant d'y placer les aliments.
- **Existe-t-il une circulation d'air appropriée autour des ustensiles de cuisson au four?**
Voir la section "Positionnement des grilles et ustensiles de cuisson au four".
- **Le calibrage de la température du four a-t-il besoin d'être ajusté?**
Voir la section "Commande de température du four".
- **Utilise-t-on une durée de cuisson appropriée?**
Augmenter la durée de cuisson au four ou de rôtissage.

- **La température correcte est-elle réglée?**
Augmenter la température de 25°F (15°C).
- **La porte du four a-t-elle été ouverte pendant la cuisson?**
L'ouverture de la porte pour vérifier la cuisson laisse la chaleur du four s'échapper et peut nécessiter des durées de cuisson plus longues.

Le brûleur du gril ne s'allume pas

- **Le système d'allumage est-il brisé?**
Contacter un technicien de service désigné pour le remplacer.
- **Un fusible est-il grillé ou le disjoncteur s'est-il déclenché?**
Remplacer le fusible ou réenclencher le disjoncteur. Si le problème persiste, appeler un électricien.

ASSISTANCE OU SERVICE

Avant de faire un appel pour assistance ou service, consulter la section "Dépannage". Ce guide peut vous faire économiser le coût d'une visite de service. Si vous avez encore besoin d'aide, suivre les instructions ci-dessous.

Lors d'un appel, veuillez connaître la date d'achat, le numéro de modèle et le numéro de série au complet de l'appareil. Ces renseignements nous aideront à mieux répondre à votre demande.

Si vous avez besoin de pièces de rechange

Si vous avez besoin de commander des pièces de rechange, nous vous recommandons d'employer uniquement des pièces de rechange FSP®. Les pièces de rechange FSP® conviendront et fonctionneront bien parce qu'elles sont fabriquées avec la même précision utilisée dans la fabrication de chaque nouvel appareil WHIRLPOOL®.

Pour obtenir des pièces de rechange FSP® dans votre région, nous contacter ou appeler le Centre de service désigné de Whirlpool le plus proche.

Au Canada

Veuillez appeler sans frais le Centre pour l'eXpérience de la clientèle de Whirlpool Canada LP au : **1-800-807-6777** ou visitez notre site web à www.whirlpool.ca.

Nos consultants vous renseigneront sur les sujets suivants :

- Caractéristiques et spécifications sur toute notre gamme d'appareils électroménagers.
- Consignes d'utilisation et d'entretien.
- Ventes d'accessoires et de pièces de rechange.

- Références aux marchands locaux, aux distributeurs de pièces de rechange et aux compagnies de service. Les techniciens de service désignés par Whirlpool Canada LP sont formés pour remplir la garantie des produits et fournir un service après la garantie, partout au Canada.

Pour plus d'assistance

Si vous avez besoin de plus d'assistance, vous pouvez soumettre par écrit toute question ou préoccupation à Whirlpool Canada LP à l'adresse suivante :

Centre pour l'eXpérience de la clientèle
Whirlpool Canada LP
200 - 6750 Century Ave.
Mississauga, Ontario L5N 0B7

Veuillez inclure dans votre correspondance un numéro de téléphone où on peut vous joindre dans la journée.

Accessoires

Nettoyant pour acier inoxydable affresh®

(modèles en acier inoxydable)

Commander la pièce n° W10355016

Nettoyant pour cuisine et appareils ménagers affresh®

Commander la pièce n° W10355010

Nettoyant pour plateau d'égouttement et grille de cuisinière à gaz

Commander la pièce n° 31617

Lèchefrite

Commander la pièce n° 4396923

GARANTIE DE GROS APPAREIL MÉNAGER WHIRLPOOL CORPORATION

GARANTIE LIMITÉE DE UN AN

Pendant un an à compter de la date d'achat, lorsque ce gros appareil ménager est installé, utilisé et entretenu conformément aux instructions jointes à ou fournies avec le produit, Whirlpool Corporation ou Whirlpool Canada LP (ci-après désignées "Whirlpool") décidera à sa seule discrétion de remplacer le produit ou de couvrir le coût des pièces spécifiées par l'usine et de la main-d'œuvre nécessaires pour corriger les vices de matériaux ou de fabrication qui existaient déjà lorsque ce gros appareil ménager a été acheté. S'il est remplacé, l'appareil sera couvert pour la période restant à courir de la garantie limitée d'un an du produit d'origine.

LE SEUL ET EXCLUSIF RECOURS DU CLIENT DANS LE CADRE DE LA PRÉSENTE GARANTIE LIMITÉE CONSISTE EN LA RÉPARATION PRÉVUE PAR LA PRÉSENTE. La réparation doit être effectuée par le personnel d'une compagnie de service désignée par Whirlpool. Cette garantie limitée est valide uniquement aux États-Unis ou au Canada et s'applique exclusivement lorsque le gros appareil ménager est utilisé dans le pays où il a été acheté. À l'extérieur des 50 États des États-Unis et du Canada, cette garantie limitée ne s'applique pas. La présente garantie limitée est valable à compter de la date d'achat initial par le consommateur. Une preuve de la date d'achat initial est exigée pour obtenir un dépannage dans le cadre de la présente garantie limitée.

ÉLÉMENTS EXCLUS DE LA GARANTIE

La présente garantie limitée ne couvre pas :

1. Les visites de service pour rectifier l'installation du gros appareil ménager, montrer à l'utilisateur comment utiliser le gros appareil ménager, remplacer ou réparer des fusibles du domicile ou rectifier le câblage ou la plomberie du domicile.
2. Les interventions de dépannage pour réparer ou remplacer les ampoules électriques, les filtres à air ou les filtres à eau de l'appareil. Les pièces consommables ne sont pas couvertes par la garantie.
3. Les réparations lorsque le gros appareil ménager est utilisé à des fins autres que l'usage domestique unifamilial normal ou lorsque les instructions d'installation et/ou les instructions de l'opérateur ou de l'utilisateur fournies ne sont pas respectées.
4. Les dommages résultant des situations suivantes : accident, modification, usage impropre ou abusif, incendie, inondation, actes de Dieu, installation fautive ou installation non conforme aux codes d'électricité ou de plomberie ou l'utilisation de pièces consommables ou de produits de nettoyage non approuvés par Whirlpool.
5. Les défauts d'apparence, notamment les éraflures, traces de choc, fissures ou tout autre dommage subi par le fini du gros appareil ménager, à moins que ces dommages ne résultent de vices de matériaux ou de fabrication et ne soient signalés à Whirlpool dans les 30 jours suivant la date d'achat.
6. Toute perte d'aliments due à une défaillance du réfrigérateur ou du congélateur.
7. Les frais liés au retrait du gros appareil ménager de votre domicile pour toute réparation. Ce gros appareil ménager est conçu pour être réparé à domicile et seule une intervention à domicile est couverte par la présente garantie.
8. Les réparations aux pièces ou systèmes résultant d'une modification non autorisée faite à l'appareil.
9. Les frais de déplacement et de transport pour le service du produit si votre gros appareil est situé dans une région éloignée où un fournisseur de services d'entretien ou de réparation Whirlpool autorisé n'est pas disponible.
10. L'enlèvement et la réinstallation du gros appareil ménager si celui-ci est installé dans un endroit inaccessible ou n'est pas installé conformément aux instructions d'installation fournies.
11. Les gros appareils dont les numéros de série et de modèle originaux ont été enlevés, modifiés ou ne peuvent pas être facilement identifiés. Cette garantie est caduque si le numéro de série fourni par l'usine a été modifié ou retiré du gros appareil.
12. Le retrait ou la réinstallation de garnitures, panneaux décoratifs, plancher, meubles, îlots de cuisine, plans de travail, panneaux de gypse ou autres dispositifs préinstallés qui entravent le dépannage, le retrait ou le remplacement du produit.

Le coût d'une réparation ou d'un remplacement dans le cadre de ces circonstances exclues est à la charge du client.

CLAUSE D'EXONÉRATION DE RESPONSABILITÉ AU TITRE DES GARANTIES IMPLICITES

LES GARANTIES IMPLICITES, Y COMPRIS LES GARANTIES APPLICABLES DE QUALITÉ MARCHANDE OU D'APTITUDE À UN USAGE PARTICULIER, SONT LIMITÉES À UN AN OU À LA PLUS COURTE PÉRIODE AUTORISÉE PAR LA LOI. Certains États et provinces ne permettent pas de limitation sur la durée des garanties implicites de qualité marchande ou d'aptitude à un usage particulier, de sorte que la limitation ci-dessus peut ne pas être applicable dans votre cas. Cette garantie vous confère des droits juridiques spécifiques et vous pouvez également jouir d'autres droits qui peuvent varier d'une juridiction à l'autre.

EXONÉRATION DE RESPONSABILITÉ DANS LES DOMAINES NON COUVERTS PAR LA GARANTIE

Whirlpool décline toute responsabilité au titre de la qualité ou de la durabilité de l'appareil, ou en cas de dépannage ou de réparation nécessaire sur ce gros appareil ménager autre que les responsabilités énoncées dans la présente garantie. Si vous souhaitez une garantie plus étendue ou plus complète que la garantie limitée fournie avec ce gros appareil ménager, adressez-vous à Whirlpool ou à votre détaillant pour obtenir les modalités d'achat d'une garantie étendue.

LIMITATION DES RECOURS; EXCLUSION DES DOMMAGES FORTUITS OU INDIRECTS

LE SEUL ET EXCLUSIF RECOURS DU CLIENT DANS LE CADRE DE LA PRÉSENTE GARANTIE LIMITÉE CONSISTE EN LA RÉPARATION PRÉVUE PAR LA PRÉSENTE. WHIRLPOOL N'ASSUME AUCUNE RESPONSABILITÉ POUR LES DOMMAGES FORTUITS OU INDIRECTS. Certains États et certaines provinces ne permettent pas l'exclusion ou la limitation des dommages fortuits ou indirects de sorte que ces limitations et exclusions peuvent ne pas être applicables dans votre cas. Cette garantie vous confère des droits juridiques spécifiques et vous pouvez également jouir d'autres droits qui peuvent varier d'une juridiction à l'autre.

Si vous résidez à l'extérieur des 50 États des États-Unis et du Canada, contactez votre marchand Whirlpool autorisé pour déterminer si une autre garantie s'applique.

Pour assistance ou dépannage, voir d'abord la section "Dépannage" du Guide d'utilisation et d'entretien. Après avoir consulté la section "Dépannage", on pourra trouver de l'aide supplémentaire à la section "Assistance ou service" ou en appelant Whirlpool. Aux États-Unis, composer le **1-800-253-1301**. Au Canada, composer le **1-800-807-6777**.

6/13

Conservez ce manuel et votre reçu de vente ensemble pour référence ultérieure. Pour le service sous garantie, vous devez présenter un document prouvant la date d'achat ou d'installation.

Inscrivez les renseignements suivants au sujet de votre gros appareil ménager pour mieux vous aider à obtenir assistance ou service en cas de besoin. Vous devrez connaître le numéro de modèle et le numéro de série au complet. Vous trouverez ces renseignements sur la plaque signalétique située sur le produit.

Nom du marchand _____

Adresse _____

Numéro de téléphone _____

Numéro de modèle _____

Numéro de série _____

Date d'achat _____