



INSTALLATION & OPERATION MANUAL

ET SERIES STEAMERS

6-PAN

<i>ML-152043</i>	<i>C24ET 208/240V.</i>
<i>ML-152044</i>	<i>C24ET 480V.</i>
<i>ML-152039</i>	<i>C24ET-PS 208/240V.</i>
<i>ML-152040</i>	<i>C24ET-PS 480V.</i>
<i>ML-152035</i>	<i>C24ET-LWE 208/240V.</i>
<i>ML-152036</i>	<i>C24ET-LWE 480V.</i>
<i>ML-152069</i>	<i>C24ET-LWE 208/240V. SONIC</i>
<i>ML-152070</i>	<i>C24ET-LWE 480V. SONIC</i>
<i>ML-152073</i>	<i>C24ET-PRO 208/240V. SONIC</i>
<i>ML-152074</i>	<i>C24ET-PRO 480V. SONIC</i>
<i>ML-152077</i>	<i>C24ET-BSC 208/240V. SONIC</i>
<i>ML-152078</i>	<i>C24ET-BSC 480V. SONIC</i>

10-PAN

<i>ML-152045</i>	<i>C24ET 208/240V.</i>
<i>ML-152046</i>	<i>C24ET 480V.</i>
<i>ML-152041</i>	<i>C24ET-PS 208/240V.</i>
<i>ML-152042</i>	<i>C24ET-PS 480V.</i>
<i>ML-152037</i>	<i>C24ET-LWE 208/240V.</i>
<i>ML-152038</i>	<i>C24ET-LWE 480V.</i>
<i>ML-152071</i>	<i>C24ET-LWE 208/240V. SONIC</i>
<i>ML-152072</i>	<i>C24ET-LWE 480V. SONIC</i>
<i>ML-152075</i>	<i>C24ET-PRO 208/240V. SONIC</i>
<i>ML-152076</i>	<i>C24ET-PRO 480V. SONIC</i>
<i>ML-152079</i>	<i>C24ET-BSC 208/240V. SONIC</i>
<i>ML-152080</i>	<i>C24ET-BSC 480V. SONIC</i>



For additional information on Vulcan or to locate an authorized parts and service provider in your area, visit our website at www.vulcanequipment.com

IMPORTANT FOR YOUR SAFETY

THIS MANUAL HAS BEEN PREPARED FOR PERSONNEL QUALIFIED TO INSTALL THIS EQUIPMENT, WHO SHOULD PERFORM THE INITIAL FIELD START-UP AND ADJUSTMENTS OF THE EQUIPMENT COVERED BY THIS MANUAL.

⚠ WARNING

IMPROPER INSTALLATION, ADJUSTMENT, ALTERATION, SERVICE OR MAINTENANCE CAN CAUSE PROPERTY DAMAGE, INJURY OR DEATH. READ THE INSTALLATION, OPERATING AND MAINTENANCE INSTRUCTIONS THOROUGHLY BEFORE INSTALLING OR SERVICING THIS EQUIPMENT.

IN THE EVENT OF A POWER FAILURE, DO NOT ATTEMPT TO OPERATE THIS DEVICE.

Contents

IMPORTANT FOR YOUR SAFETY	2
GENERAL.....	5
LWE Series Steamers.....	5
Steam Cooking	5
SONICSAFE SCALE PREVENTION OPTION	5
INSTALLATION	5
UNPACKING	6
INSTALLATION CODES AND STANDARDS.....	6
LOCATION	6
LEVELING AND ANCHORING	6
ELECTRICAL CONNECTIONS	7
PLUMBING CONNECTIONS.....	7
Water Requirements.....	7
Water Treatment.....	7
Water Supply Connection	7
Filter System.....	8
Drain Connection	8
Drain Requirements.....	9
VENT HOOD	9
STARTUP	9
OPERATION	10
CONTROLS AND INDICATORS.....	10
Timer.....	10
Ready Light (Green)	10
Cook Light (Red).....	10
Power ON/OFF Switch (Top and Bottom Compartments)	10
PREHEATING	10
STEAMING.....	10
DAILY SHUTDOWN.....	11
EXTENDED SHUTDOWN.....	11
CLEANING	12
COOKING COMPARTMENT DRAIN.....	12
DRAINING THE GENERATORS	12
COMPARTMENTS.....	12
DOOR GASKET	12
LEAVE COMPARTMENT DOORS OPEN.....	12
STAINLESS STEEL EQUIPMENT CARE AND CLEANING	13
Enemies of Stainless Steel.....	13
So what does all this mean?	
Don't despair!.....	13
GUIDELINES FOR MAINTAINING STAINLESS STEEL SURFACES.....	14
MAINTENANCE	14
WATER TREATMENT SYSTEM.....	14
REMOVAL OF LIME SCALE DEPOSITS.....	14
Items Required (not provided)	14
Deliming Schedule.....	15
Deliming Procedure	15

ET SERIES STEAMERS

DOOR GASKET	15
DRAINING GENERATOR	15
COOKING GUIDELINES.....	16
PRODUCTS TO BE COOKED IN SOLID PANS.....	16
PRODUCTS TO BE COOKED IN PERFORATED PANS	17
TROUBLESHOOTING	19
SERVICE AND PARTS INFORMATION.....	21



INSTALLATION, OPERATION AND CARE OF MODEL C24ET SERIES STEAMERS

PLEASE KEEP THIS MANUAL FOR FUTURE USE GENERAL

Vulcan convection steamers are produced with quality workmanship and material. Proper installation, usage and maintenance will result in many years of satisfactory performance. It is suggested that you thoroughly read this entire manual and carefully follow all of the instructions provided.

The C24ET6 and C24ET10 convection steamers are dual compartment, electric pressureless steam cookers with dual electric steam generators that maintain water temperature at approximately 195° F. At 208V and 480V, the C24ET6 is rated at 17.2kW, and the C24ET10 is rated at 25.6kW. At 240V, the C24ET6 is rated at 19.7kW, and the C24ET10 is rated at 26.4kW.

Model C24ET6 can accommodate three 2 1/2" deep (6.4 cm) steam pans per compartment. Model C24ET10 can accommodate five 2 1/2" deep (6.4 cm) steam pans per compartment. The C24ET6 and C24ET10 electric convection steamers are designed for cooking vegetables, eggs and other foods, in commercial kitchens. Each compartment has a 0-60 minute timer, as well as a constant steam feature. The buzzer requires manual shutoff. The steamer is equipped with a cabinet base with flanged feet for floor mounting.

This manual is applicable to the models and ML numbers listed on the cover page. Procedures apply to all models unless specified otherwise.

LWE Series Steamers

The low water and energy use steamers (LWE) provide energy and water saving steam generation that meets ENERGY STAR® performance levels. The steamers feature electronic PID Controllers and Solid State Contactors that work together to "pulse" power to the heating elements during a cook cycle and reduce the amount of electrical energy and water consumed.

Steam Cooking

Atmospheric steamers offer an efficient way to produce many foods in either small portions or larger batches. Atmospheric convection steam cooking will steam cook fresh foods or will steam defrost and cook frozen foods providing the maximum color, flavor and nutritional value with the least expenditure of energy and labor. The atmospheric steaming compartment allows the operator to open and close the door anytime during a cooking cycle. The generator element will shut off when the door is opened then re-start when the door is closed.

SONICSAFE SCALE PREVENTION OPTION

Sound waves create millions of microscopic bubbles inside the steam generator, causing powerful vacuum energy that prevents scale from attaching to the walls of the steamer. The control panel is equipped with indicator lights showing that the SonicSafe system is in operation and to indicate if there is a problem and service is needed.

De-lime once a quarter instead of monthly, and change your carbon filter just once a year.

INSTALLATION

Before installing, verify that the electrical supply agrees with the specifications on the data plate located on the front of the machine. If the supply and equipment requirements do not agree, do not proceed with the installation. Contact your dealer or Vulcan immediately.

This unit is shipped pre-wired for 208/60/3 or 480/60/3. 240V and single-phase operation require changes to the heater connection 240/60/3, 240/60/1 and 208/60/1. This unit will operate at 60Hz or 50Hz. Conversions must be made by a Vulcan authorized service technician. The LWE series is not available in single phase.

UNPACKING

This steamer was inspected before leaving the factory. The transportation company assumes full responsibility for safe delivery upon acceptance of the shipment.

IMMEDIATELY AFTER UNPACKING, CHECK FOR POSSIBLE SHIPPING DAMAGE. IF STEAMER DAMAGE IS FOUND, SAVE THE PACKAGING MATERIAL AND CONTACT THE CARRIER WITHIN 5 BUSINESS DAYS OF DELIVERY.

INSTALLATION CODES AND STANDARDS

In the United States of America:

1. State and Local Codes
2. National Fuel Gas Code, ANSI/z223.1/NFPA #54 (latest edition). Copies may be obtained from The American Gas Association, Accredited Standards Committee Z223@ 400 N. Capital St. NW, Washington D.C. 2001 or the Secretary Standards Council, NFPA, 1 Batterymarch Park, Quincy MA 02169-7471.

NOTICE In the Commonwealth of Massachusetts:

All gas appliances vented through a ventilation hood or exhaust system equipped with a damper or with a power means of exhaust shall comply with 248 CMR.

3. Vapor Removal from Cooking Equipment, NFPA#96 (latest edition).
4. Copies may be obtained from The National Fire Protection Association, 1 Batterymarch Park, Quincy MA 02169-7471.
5. National Electrical Code, ANSI/NFPA-70 (latest edition). Copies may be obtained from The National Fire Protection Association, 1 Batterymarch Park, Quincy MA 02169-7471.

In Canada, the steamer must be installed in accordance with:

1. Local codes.
2. Canadian Electrical Code (CSAC22.2 No.3, latest edition) available from the Canadian Standards Association, 5060 Spectrum Way, Mississauga, Ontario, Canada L4W 5N6.

LOCATION

Allow space for plumbing and electrical connections. Minimum clearance is 6" (15.2 cm) on the back for proper air circulation. Allow adequate access for operating and servicing the steamer: 36" (91.4 cm) at the front of the steamer, 15" (38 cm) above the steamer and 18" (45.7 cm) on the right and left sides of the steamer.

LEVELING AND ANCHORING

Position the steamer in its final installed location. Place a level on the horizontal area of the cabinet. Adjust the feet to level the steamer in both the left-to-right and front-to-rear directions.

Steamers should be elevated in the front just enough, about $\frac{1}{16}$ " to $\frac{1}{8}$ " (2 to 3 mm), to provide proper draining. Do this by rotating the adjustable feet in the proper direction 1 to $1\frac{1}{2}$ turns after leveling. Check drainage in the steamer compartments by pouring a small amount of water in the compartment. All the water should drain.

The feet have $\frac{7}{16}$ " holes in the flanges for anchor bolts.

ELECTRICAL CONNECTIONS

⚠ WARNING Electrical and grounding connections must comply with the applicable portions of the National Electrical Code and/or other local electrical codes.

The wiring diagram is located inside the right cavity panel.

C24ET6 and C24ET10 Current Draw

MODEL	PH	208V		240V		480V	
		Kw	A	Kw	A	Kw	A
C24ET6-LWE	3	17.0	53.0	17.0	41.0	17.0	20.4
C24ET10-LWE	3	30.0	94.0	30.0	72.2	30.0	36.1
C24ET6	1	17.0	82.0	17.0	71.0	n/a	n/a
	3	17.0	53.2	17.0	41.0	17.0	20.4
C24ET10	1	30.0	144.0	30.0	125.0	n/a	n/a
	3	30.0	94.0	30.0	72.2	30.0	36.1
C24ET6-PS	1	18.1	88.0	18.5	77.0	n/a	n/a
	3	18.1	53.2	18.5	46.5	18.5	22.6
C24ET10-PS	1	31.1	149.6	31.5	131.3	n/a	n/a
	3	31.1	94.0	31.5	75.0	31.5	38.3

PLUMBING CONNECTIONS

⚠ WARNING Plumbing connections must comply with applicable sanitary, safety and plumbing codes.

Water Requirements

Proper water quality can improve the taste of the food prepared in the steamer, reduce liming in the steam generator and extend equipment life. Water conditions vary from one location to another. Ask your municipal water supplier for details about your local water supply prior to installation. Presence of sediment, silica, excess chlorides or other dissolved solids may lead to a recommendation for alternate form(s) of water treatment. Test the water with the test strip included with the steamer. Other factors affecting steam generation are iron content, amount of chloridation and dissolved gases.

Water Treatment

A local water treatment specialist should be consulted before installation of steam generating equipment.

Supply Pressure	20 psig flowing - 60 psig static
Hardness*	No more than 3 grains
Silica	less than 13 ppm
Total Chlorine	less than 0.5 ppm
PH range	6.5 to 8
Undissolved Solids	less than 5 microns
*17.1 ppm = 1 grain of hardness	

If the water supply fails to meet these standards, it will be necessary to install a water conditioner or scale & chlorine reduction filter system on the generator water feed. The use of strainers or particle filters will not remove minerals from the water.

Water Supply Connection

Connect the treated cold water supply line to the 3/4" (19 mm) (male hose thread) inlet. Connect the untreated cold water supply line to the 3/4" (19 mm) (male hose thread) inlet marked

UNTREATED WATER.

NOTICE Do not over tighten water connections. Over tightening the hose connections will damage the water valve. Turn hose connection by hand till snug and then tighten with pliers 2/3 of a turn. Check for leaks.

NOTICE If water lines move during water fill valve operation then a water hammer arrestors must be added.

A water filter system is recommended for the water supply line going to the treated water inlet. Follow the recommendations for use and installation instructions shipped with the water filter. If a water filter is not installed, the steam generator warranty may be limited.

A manual shutoff valve must be provided in a convenient location near the steamer.

Filter System

If you decide to not install a scale-reducing filter system designed for steam equipment or use another manufacturer’s system other than that recommended by Vulcan, please use these guidelines.

- If you are going to delime the unit with a deliming agent recommended for a pressure steam boiler and stainless steel generators, and you are on city or treated well water, you still must have a carbon block filter installed and maintained. Carbon block filters remove the chlorine and chloramine disinfectants from the water. Chlorine and chloramines will erode the boiler or steam generator and will result in a vessel failure, which is not covered under warranty.
- Water feed lines to the steamer must be flushed before final connection. Particles in the water could build up in the water and steam valves or clog tubing and components that maintain the water level and pressure in the boiler or steam generator. If the water supply is not free of sediment or is cloudy after several minutes of flushing, a sediment

filter must be installed before use.

- If you have purchased a water filtration system from Vulcan, please follow the instructions provided with the water filtration system. At the time of installation you must register your steamer at www.vulcanequipment.com. You will need to register your steamer at each filter change to ensure your standard and extended warranty is maintained.

Drain Connection

The 1½" NPT threaded fitting on the condenser box must be extended a minimum of 12" (305 mm) - maximum of 72" (1829 mm) away from steamer base (with no more than two elbows), to an open air gap type drain (Fig. 1). Do not reduce the 1½" NPT drain piping throughout its length. If the drain plumbing needs to exceed 72" (Max. 120"), then the drain must be increased to 2" diameter pipe.

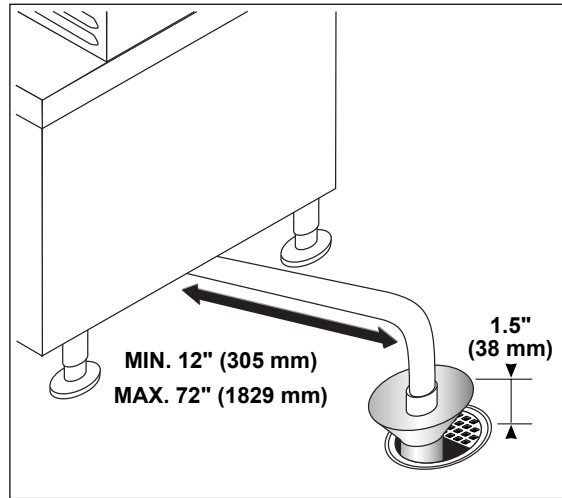


Figure 1

Provide a suitable floor sink with a minimum depth of 12" (305 mm). The floor sink is NOT to be directly under the steamer and should be at a distance so that steam vapors will not enter the steamer from underneath. **The drain should slope down away from the steamer ¼" for every foot of drain pipe length.** The drain pipe should be either iron or copper. DO NOT use PVC pipe; PVC pipe may lose its rigidity or glue may fail. A 1½" air gap is required for the drain.



Drain Requirements

1½" pipe with 3 elbows, 6-10 feet long, requires a standpipe

2" pipe with 3 elbows, 10-15 feet long, requires a standpipe

⚠ CAUTION In order to avoid any back pressure in the steamer, do not make a solid connection to any drain. FAILURE TO DO SO CAN DAMAGE THE STEAMER AND VOIDS THE WARRANTY.

Temperatures in the drain can briefly reach as high as 212°F (100°C). Local codes may require that the temperature of drain water be no greater than 140°F (60°C). Some provision for lowering the water temperature must be provided by the user or installer to meet this code requirement.

VENT HOOD

Local codes may require the steamer to be located under an exhaust hood. Information on the construction and installation of ventilating hoods may be obtained from *Vapor Removal from Cooking Equipment*, NFPA Standard No. 96 (latest edition).

STARTUP

⚠ WARNING The steamer and its parts are hot. Use care when operating, cleaning or servicing the steamer. The cooking compartment contains live steam. Stay clear while opening door.

Once the steamer is installed and all mechanical connections have been made, thoroughly test the steamer before operation.

1. Check that proper water, drain, and electrical connections have been made.
2. Press the power switch to the ON position. Each compartment has its own individual power switch. After approximately 15 minutes, the ready light should come on, indicating that the generator has reached operating pressure.
3. Open the door, set the timer to 5 minutes, and observe that no steam is entering the compartment, and that the ready light is off and the cooking light is off.
4. Close the compartment door. The cooking and ready lights should now be lit, and steam should be heard entering the compartment.

5. Check the drain line to be sure that water from the cold water condensate valve is flowing through the drain line.

NOTE: The drain condensate water does not flow until the drain box reaches 140°F.

6. Open the compartment door and observe that steam supply to the compartment stops, and that the cooking light turns off.
7. Close the compartment door and let the cooking cycle finish. When the timer returns to the 0 position, a buzzer will sound and the cooking light will turn off, signaling the end of the cooking cycle. To silence the buzzer, turn the timer dial to the OFF position.
8. Complete steps 3-7 for each cooking compartment.
9. Press the power switches to the OFF position. Leave the compartment doors slightly open to allow the inside to dry out.

OPERATION

⚠ WARNING The steamer and its parts are hot. Use care when operating, cleaning or servicing the steamer. The cooking compartment contains live steam. Stay clear when opening the door.

CONTROLS AND INDICATORS

The upper section of the steamer consists of two cooking compartments. Each compartment functions independently with its own controls (Fig. 2), and is a separate, sealed steam chamber during the cooking operation.

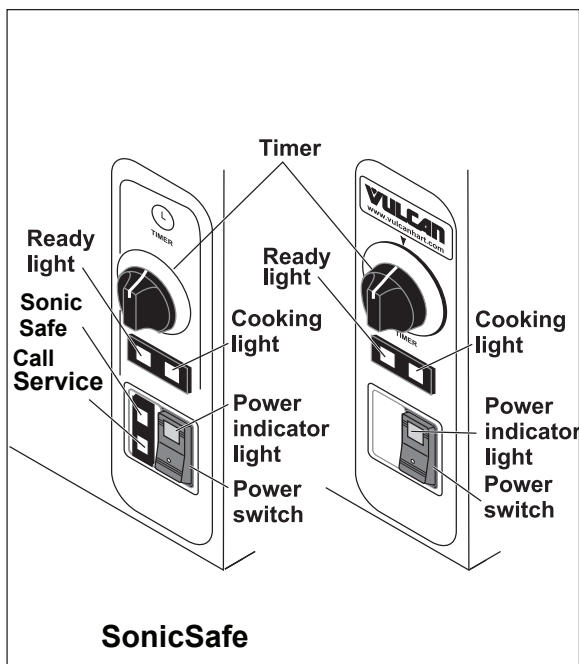


Figure 2

SonicSafe light designation / explanation:

Sonic Safe Light (Green)

- When lit, indicates that the SonicSafe is operating properly

Call Service (Red)

- When lit, indicates that the SonicSafe function is not working correctly. Contact an authorized Vulcan servicer to properly diagnose the issue.

Timer

Used to set desired cooking cycle time. Timer range is 0-60 minutes or constant steam. Turn to the OFF position to silence the buzzer.

Ready Light (Green)

When lit, indicates steamer is ready for the cooking cycle.

Cook Light (Red)

When lit, indicates steamer is in the cooking phase.

Power ON/OFF Switch (Top and Bottom Compartments)

Power ON/OFF switch with indicator light.

PREHEATING

Preheat the cooking cavity when the steamer is first used for the day or whenever the compartment is cold. Keep the door closed during the preheat cycle.

- Turn the power switch to ON, and set the timer to 10 minutes to preheat the compartment.
- When the buzzer sounds, turn the timer to the OFF position. The steamer is ready to cook.

STEAMING

Each steaming compartment has its own generator and controls. With the green READY light lit and the compartments preheated, the steamer is ready for use.

1. Open the compartment door.
2. Place pans of food to be cooked into the compartment and shut the door.
3. Set the timer to the desired cooking time. Steaming begins. The red COOK light will turn on.
4. The cooking cycle may be interrupted at any time by opening the compartment door. Close the door to resume cooking.

5. When the buzzer sounds, the timed steaming cycle has finished. Steaming stops, and the COOK light turns off. To silence the buzzer, turn the timer to the OFF position.

Refer to *Steam Cooking with Vulcan Kettles and Steamers* (packed with your steamer) for suggested cooking times. Also refer to the COOKING GUIDELINES in this manual. Size, weight, pan loading and product quality will affect cooking times and should be adjusted to your own requirements.

DAILY SHUTDOWN

1. Press the power switches to the OFF position.
2. Clean the compartment(s).
3. Leave compartment door open to allow cavity and door seal to dry.

NOTICE Power supplied to the steamer must remain on for 15 minutes after the main power switch is set to the OFF position. This will allow the drain cycle to complete.

EXTENDED SHUTDOWN

1. Press the power switches to the OFF position.
2. Allow to drain completely.
3. Turn off main power supply.
4. Turn off water supply.

NOTICE The filter pm kit must be replaced if the steamer is shut down for more than 30 days prior to restarting the steamer.

5. Thoroughly clean cavities, door seals, etc.
6. Leave compartment door open to allow cavity and door seal to dry.

CLEANING

⚠ WARNING Disconnect the electrical power to the machine and follow lockout/tagout procedures before cleaning.

COOKING COMPARTMENT DRAIN

Keep compartment drains running freely. Inspect compartment drains daily for blockage. Remove any particles or debris from the perforated strainer daily (or more often if needed).

After cooking greasy foods or seafood, close the doors and operate each compartment for 25 to 30 minutes to flush any residual grease and oils down the compartment drain. Make a solution of warm water and non-chloride/chlorine/bleach based detergent and pour 1/2 gallon (1.9 liters) of it down each compartment drain. Rinse by pouring 1/2 gallon (1.9 liters) of hot water down each compartment drain.

DRAINING THE GENERATORS

To prevent malfunction of controls and clogging, it is essential to drain both generators every day. This will flush out any accumulated minerals from the feed water. It will also aid in preventing internal scale buildup which would interfere with proper generator operation. Failure to drain the generators every day will void the steamer warranty. The presence of minerals in suspension is indicated by a murky or milky condition in the first portion of the water drained.

⚠ WARNING The water being drained is hot and under pressure. Use care when cleaning or servicing the generator.

After the generator has been in operation, turn the unit off with the power switch located on the cooking compartment to drain the generator. The generator will drain for approximately 5 minutes, removing sediment, scale and lime buildup in the generator.

COMPARTMENTS

Wash the inside of the compartment with a solution of warm water and non-chloride detergent. Rinse with warm water.

Thoroughly clean the exposed surfaces (sides, front, door and top) with a damp cloth and polish with a clean cloth daily. To remove discolorations, use a nonabrasive cleaner.

DOOR GASKET

Clean the gasket-sealing surface of the compartment door daily to remove food acids for maximum gasket life. Do not use any solvents or sharp instruments. Wash with a cloth moistened in a solution of mild detergent and warm water. Rinse with a fresh cloth moistened with warm water to remove all traces of detergent.

Wipe dry with a clean cloth. Never apply food oils or petroleum lubricants directly to the door gasket. Petroleum-based solvents and lubricants will reduce gasket life.

LEAVE COMPARTMENT DOORS OPEN

Leave the compartment doors slightly open when the steamer is not in use. When the compartment is idle, never latch the door and apply pressure to the door gasket. Leaving the gasket under pressure can cause permanent deformation and reduce gasket life.

STAINLESS STEEL EQUIPMENT CARE AND CLEANING

Contrary to popular belief, stainless steels ARE susceptible to rusting.

Corrosion on metals is everywhere. It is recognized quickly on iron and steel as unsightly yellow/orange rust. Such metals are called “active” because they actively corrode in a natural environment when their atoms combine with oxygen to form rust.

Stainless steels are passive metals because they contain other metals, like chromium, nickel and manganese, that stabilize the atoms. 400 series stainless steels are called ferritic, contain chromium, and are magnetic; 300 series stainless steels are called austenitic, containing chromium and nickel; and 200 series stainless, also austenitic, contains manganese, nitrogen and carbon. Austenitic types of stainless are not magnetic, and generally provide greater resistance to corrosion than ferritic types.

With 12 to 30% chromium, an invisible passive film covers the steel’s surface acting as a shield against corrosion. As long as the film is intact and not broken or contaminated, the metal is passive and stainless. If the passive film of stainless steel has been broken, equipment starts to corrode and starts to rust.

Enemies of Stainless Steel

There are three basic things which can break down stainless steel’s passivity layer and allow corrosion to occur.

1. Mechanical abrasion.
2. Deposits and water.
3. Chlorides.

Mechanical abrasion means those things that will scratch a steel surface. Steel pads, wire brushes and scrapers are prime examples.

Water comes out of the faucet in varying degrees of hardness. Depending on what part of the country you live in, you may have hard or soft water. Hard water may leave spots, and when heated leaves deposits behind that if left to sit, will break down the passive layer and rust stainless steel. Other deposits from food preparation and service must be properly removed.

Chlorides are found nearly everywhere. They are in water, food and table salt. One of the worst chloride perpetrators can come from household and industrial cleaners.

**So what does all this mean?
Don’t despair!**

Here are a few steps that can help prevent stainless steel rust.

1. Use the proper tools.

When cleaning stainless steel products, use non-abrasive tools. Soft cloths and plastic scouring pads will not harm steel’s passive layer. Stainless steel pads also can be used but the scrubbing motion *must* be in the direction of the manufacturers’ polishing marks.

2. Clean with the polish lines.

Some stainless steel comes with visible polishing lines or grain. When visible lines are present, always scrub in a motion parallel to the lines. When the grain cannot be seen, play it safe and use a soft cloth or plastic scouring pad.

3. Use alkaline, alkaline chlorinated or non-chloride containing cleaners.

While many traditional cleaners are loaded with chlorides, the industry is providing an ever-increasing choice of non-chloride cleaners. If you are not sure of chloride content in the cleaner used, contact your cleaning supplier. If your present cleaner contains chlorides, ask your supplier if they have an alternative. Avoid cleaners containing quaternary salts; it also can attack stainless steel and cause pitting and rusting.

4. Treat your water.

Though this is not always practical, softening hard water can do much to reduce deposits. There are certain filters that can be installed to remove distasteful and corrosive elements. To insure proper water treatment, call a treatment specialist.

GUIDELINES FOR MAINTAINING STAINLESS STEEL SURFACES

There are four things that will break down stainless steel and allow corrosion to develop:

- 1) Abrasion
- 2) Deposits
- 3) Water
- 4) Chlorides

Avoid rubbing with steel pads, wire brushes or scrapers that can leave iron deposits on stainless steel. Instead, use plastic scouring pads or soft cloths. For stubborn stains, use products such as

Cameo™, talc or Zud First Impression™. Always rub parallel to the polish lines or with the grain.

Hard water will leave deposits that promote rust on stainless steel. Treated water from softeners or certain filters can eliminate these mineral deposits. Other deposits from food or lubrication must be properly removed by cleaning. Use mild detergent and non-chloride/chlorine/bleach based cleaners. Rinse thoroughly and wipe dry. Where appropriate, apply a polish recommended for stainless steel (such as Benefit™ or Super Sheen™) for extra protection and luster.

MAINTENANCE

⚠ WARNING The steamer and its parts are hot. Use care when operating, cleaning or servicing the steamer. The cooking compartment contains live steam. Stay clear while opening door.

WATER TREATMENT SYSTEM

A water treatment system is recommended for the steamer. Refer to your supplier's manual for normal maintenance procedures for proper scale-free operation.

REMOVAL OF LIME SCALE DEPOSITS

The steamer should be delimed when symptoms occur (see Troubleshooting Chart). This is in accordance with the minimum preventive maintenance schedule required by the Warranty.

⚠ WARNING Read and follow the instructions on the deliming material package. Avoid contact with skin and eyes. Wear plastic or rubber gloves and safety goggles when handling. Wash thoroughly after handling. If deliming solution comes in contact with the skin or eyes, rinse thoroughly with clean water.

⚠ WARNING The steamer and its parts are hot. Use care when operating, cleaning or servicing the steamer. The cooking compartment contains live steam. Stay clear when opening door.

NOTE: The capacity of the generator is approximately 1.8 gallons.

Items Required (not provided)

- Deliming material (Scale Release P/N: 854893-13. 28 ounces of Scale Release is required to delime C24ET6/10 steamers.)
- Funnel
- Plastic or rubber gloves
- Safety goggles or face shield
- Measuring cup
- 1-gallon container for mixing deliming solution
- Petrol-Gel Lubricant or equivalent foodgrade grease for coating deliming port threads

NOTE: Deliming solution may cause the surface of aluminum measuring tools to tarnish or etch.

Deliming Schedule

Hardness (Grains)	Deliming Schedule
0 to 5	6 Months
5 to 10	3 Months
10 to 15	Monthly
15 to 20	2 Weeks
20+	Other Water Treatment Is Required

Deliming Procedure

NOTE: This procedure is not intended to take the place of a water treatment program.

- Press the power switch to off. Wait 5 minutes for steam generator to completely drain and the drain valve to close.
- Turn cooking timers to OFF.
- Prepare deliming solution according to the instructions on the deliming material package. Follow all manufacturers' instructions. The generator and superheater capacity is approximately 1.8 gallons.
- Remove delime port cap located on the front ledge beneath the lower compartment and insert a funnel into the delime port (Fig. 3).
- Pour deliming solution into the steam generator slowly to avoid spillage.
- Remove funnel from delime port then rinse port and surrounding area with clean water. Wipe dry.
- Lightly coat delime port threads with Petrol-Gel then install delime port cap. Cap must be installed and tightened securely at all times.
- Turn power switch ON.
- When ready light comes on, turn cooking timer on for 3 minutes to delime the steam tubes and nozzles.
- After 40 minutes, turn power switch OFF and allow steam generator to completely drain, 5 minutes.
- Rinse steam generator with clean water:
 - Turn power switch ON. When ready light comes on, turn cooking timer on for 3 minutes to rinse the steam tubes and nozzles.
 - Turn power switch OFF and allow steam generator to completely drain.
 - Turn cooking timer to OFF.
 - Repeat steam generator rinse one time.
- Clean exterior and interior using a mild solution of soap and water. Rinse with clean water then dry with a soft cloth.
- Leave compartment door open when not in use.
- The steamer is ready for operation or shutdown.

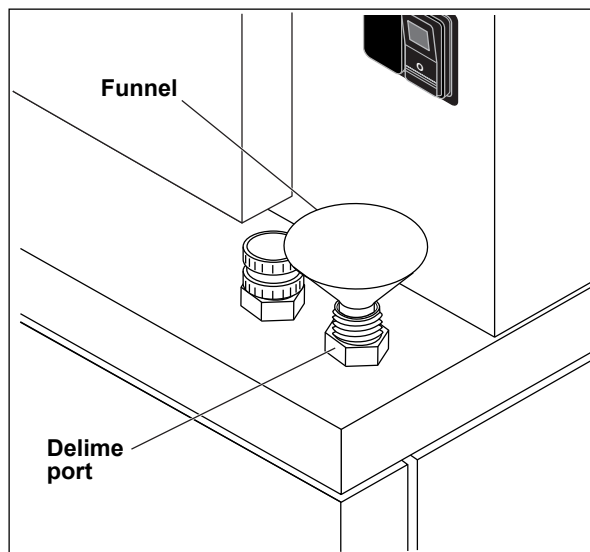


Figure 3

DOOR GASKET

If the door gasket is leaking due to a nick or cut, it must be replaced. Damage to the gasket sealing surface will cause steam leakage.

DRAINING GENERATOR

Drain each generator at the end of each day to flush out minerals and minimize scale buildup. Each generator drains automatically for approximately 5 minutes after the power switch is turned off.

COOKING GUIDELINES

The steamer steam cooks vegetables, frankfurters, eggs in their shells, and certain other meats or food items at atmospheric pressure.

These cooking guidelines are suggestions only. You should experiment with your food products to determine the cooking times that will give you the best results. Variables which affect cooking time include size, weight, thickness of foods, temperature, density, previous condition of the

foods (fresh, pre-blanched or frozen) and degree of doneness desired.

Perforated pans should always be used when possible. Perforated pans will reduce cooking times, promotes evenness of cooking and reduces moisture build up. When solid pans are used avoid covering the pan with a lid or plastic wrap during cooking.

PRODUCTS TO BE COOKED IN SOLID PANS

PRODUCT	TIME (MINUTES)	WEIGHT PER PAN
Eggs, Scrambled	9 to 12	8 doz.
Rice, Long Grain (Cover with 4 cups water/lb.)	23 to 25	2 lbs.
Pasta (Place perforated pan inside solid pan, cover with cold water)		
Spaghetti – Regular/Vermicelli	10 to 15	4 lbs.
Macaroni - Shells/Elbows	13 to 18	4 lbs.
Noodles - 1/2" Wide	10 to 15	4 lbs.
Lasagna Noodles	13 to 18	4 lbs.
Frozen Casseroles, Lasagna	33 to 35	Full Pan
Meat Loaf, 3-5 Lb. Each	38 to 40	15 lbs.
Beef		
Ground Chuck	19 to 25	10 lbs.
Sliced as Purchased	33 to 40	10 lbs.
Shrimp, Frozen, 10 Shrimp per Lb.	4 to 5	4 lbs.
Beans		
Baked	8 to 9	10 lb. Can
Refried	8 to 9	10 lb. Can
Canned Vegetables	5 to 6	10 lb. Can
Prunes, Dried	11 to 15	Full Pan



PRODUCTS TO BE COOKED IN PERFORATED PANS

PRODUCT	TIME (MINUTES)	WEIGHT PER PAN
SEAFOOD		
Clams		
Frozen	9 to 12	3 doz.
Fresh, Cherrystone	4 to 6	3 doz.
King Crab, Frozen		
Claws	3 to 4	2½ lbs.
Legs	3 to 6	4½ lbs.
Lobster Tail, Frozen	5 to 6	10 lbs.
Lobster, Live, 10" - 12"	4 to 5	4 Per Pan
Salmon Fillets, Frozen, 8 ounce each	4 to 5	7½ lbs.
Scallops, Fresh	3 to 4	3 lbs.
Scrod Fillets, Fresh	3 to 5	4 lbs.
EGGS		
Hard Cooked	14 to 15	4 doz.
Soft Cooked	8 to 10	4 doz.
Soft Yolk for Caesar Salad	5 to 8	4 doz.
MEATS		
Chicken — Breasts, Legs, Thighs	19 to 20	15 lbs.
Turkey, Frozen		
Breasts (2)	86 to 90	6 to 7 lbs. Each
Cut Lengthwise	53 to 55	20 to 25 lbs.
Corned Beef	40 to 75	6 to 8 lbs.
Hot Dogs and Wieners	2 to 3	80 to 100 Count
VEGETABLES		
Asparagus Spears		
Frozen	10 to 12	3 lbs.
Fresh	4 to 5	5 lbs.
Beans		
Green 2" Cut, Frozen/Fresh	5 to 6	5 lbs.
Lima, Frozen	7 to 8	5 lbs.
Baby Lima, Frozen	4 to 5	5 lbs.
Brussel Sprouts, Frozen	5 to 6	5 lbs.

ET SERIES STEAMERS

PRODUCT	TIME (MINUTES)	WEIGHT PER PAN
VEGETABLES (Cont'd.)		
Broccoli		
Spears, Frozen	6 to 8	4 lbs.
Spears, Fresh	4 to 6	5 lbs.
Flowerettes, Frozen	4 to 6	5 lbs.
Cabbage, Fresh, 1/6 Cut	6 to 8	5 lbs.
Carrots		
Baby Whole, Frozen	6 to 8	7 lbs.
Crinkle Cut, Frozen	7 to 8	4 lbs.
Sliced, Fresh	9 to 11	9 lbs.
Cauliflower, Flowerettes		
Frozen	4 to 6	4 lbs.
Fresh	7 to 8	5 lbs.
Celery, 1" Diagonal Cut	5 to 7	5 lbs.
Corn		
Yellow Whole Kernel, Frozen	3 to 5	5 lbs.
Cobbettes, Frozen	6 to 8	27 Ears
Corn-On-Cob, Fresh	16 to 18	80 Ears
	16 to 18	54 Ears
	10 to 12	18 Ears
Peas, Green	4 to 6	5 lbs.
Potatoes, Whole Russet	50 to 55	40 lbs.
Spinach		
Chopped, Frozen	15 to 17	6 lbs.
Defrosted	4 to 5	6 lbs.
Fresh Cut	2 to 3	2 lbs.
Squash, Acorn Halves	22 to 25	10 Halves
Zucchini, Slices	6 to 8	10 lbs.
Frozen Mixed Vegetables	6 to 7	5 lbs.
FRUIT		
Fruit, Blanch for Peeling		
Grapefruit, Oranges	2 to 3	1 loose layer per pan
Pineapple, Whole for Cutting	2 to 4	



TROUBLESHOOTING

SYMPTOMS	POSSIBLE CAUSES	REMEDY
Steamer not steaming	No main power source.	Check the power source or circuit breaker.
	Power switch in OFF position.	Press power switch to the ON position.
	Door open.	Close door.
	Water not being supplied to steamer.	Refer to symptom <i>Water not being supplied to generator</i> below.
Steamer not heating/steaming properly	Excessive lime build up in the steamer.	Descale the steamer (see REMOVAL OF LIME SCALE DEPOSITS).
Door leaks	Excessive water pressure to the condensate non filtered supply	Incoming water pressure must be 20-60 PSI.
	Damaged door gasket.	Check door gasket for damage. If adjustment is needed, contact your Authorized Vulcan Servicer.
	Improper drain.	
	Drain clogged.	
	Damage to gasket sealing surface.	
Cavity vacuum breaker stuck closed.	Remove the vacuum breaker and verify you can blow through it in the direction of airflow.	
Water accumulates in compartment	Plugged drain or screen.	Clear compartment cavity screen. If symptom persists, contact your Authorized Vulcan Servicer.
	Unit not leveled properly.	See leveling instructions in the INSTALLATION section of this manual.
	Drain clogged.	Unclog drain.
	Incoming water pressure exceeds 60 PSI.	Lower the water pressure below 60 PSI. If water pressure cannot be adjusted at the location install a CAMCO water pressure regulator at the fill valve.

ET SERIES STEAMERS

SYMPTOMS	POSSIBLE CAUSE	REMEDY
Water not being supplied to generator	Water supply valve is off.	Turn valve on.
	Water pressure low.	Check supply water pressure. The incoming water pressure must be between 20 and 60 PSI.
	Water filter is plugged.	Refer to water filter manual. If symptom persists, contact your Authorized Vulcan Servicer.
	Valve inlet screen clogged.	Contact your Authorized Vulcan Servicer.
Steam is exiting from under steamer	Generator pressure is too high.	Contact your Authorized Vulcan Servicer.





FREE Vulcan & Wolf New Equipment Checkout

A PARTNERSHIP WITH HOBART & AUTHORIZED WARRANTY SERVICE PROVIDERS

To ensure new Vulcan and Wolf equipment has been properly installed and is operating correctly, an authorized service technician will:

- Verify that the proper gas type (LP or natural) has been connected to the equipment
- Verify that the proper voltage and electrical connections have been made
- Verify that proper pressure regulators have been installed and adjusted, when applicable
- Verify that gas supply size and pressure are adequate
- Verify that proper water, steam, drain supplies and connections have been made
- Check to ensure the ventilation system is operating correctly
- Check pilot and burner adjustments
- Verify thermostat operation, including calibration, when required
- Check functional parts of operation, for example: doors, lids, valves, etc.
- Advise on preventive maintenance procedures
- Equipment must be completely installed and ready to operate before the equipment checkout request is made

To schedule your FREE CHECKOUT, please contact your Sales Representative!

PROTECT YOUR INVESTMENT!



*Enhance Performance and Efficiency with OEM Parts
for all your Vulcan, Wolf & Berkel Equipment.*

*Generic parts are not suitable for your equipment. Protect your investment with genuine
Original Equipment Manufactured parts.*

WHY USE OEM PARTS?

RELIABILITY

Designed specifically for your equipment to provide maximum performance and the most uptime.

AVAILABILITY

Currently available from hundreds of Hobart and Authorized Parts and Service Agencies.

WARRANTY PROTECTION

Keeps your equipment under product warranty and saves you money when repairs are needed.

ENERGY SAVINGS

Designed and tested for exact equipment specifications to work more efficiently, resulting in energy savings over time.



Locate an Authorized Parts or Service Center www.vulcanequipment.com/service | Order Parts Online www.hobartparts.com | 877.333.1863





PROTÉGEZ VOTRE INVESTISSEMENT!

CUISEURS À VAPEUR DE SÉRIE ET



Améliorez les performances et l'efficacité avec des pièces FEO pour tous vos équipements Vulcan, Wolf et Berkel.

Les pièces génériques ne conviennent pas à votre équipement. Protégez votre investissement avec des pièces du fabricant d'équipement d'origine.

POURQUOI UTILISER DES PIÈCES FEO?

DISPONIBILITÉ

Actuellement disponible auprès de certaines agences de réparation et de pièces détachées Hobart et agréées.

ÉCONOMIES
D'ÉNERGIE

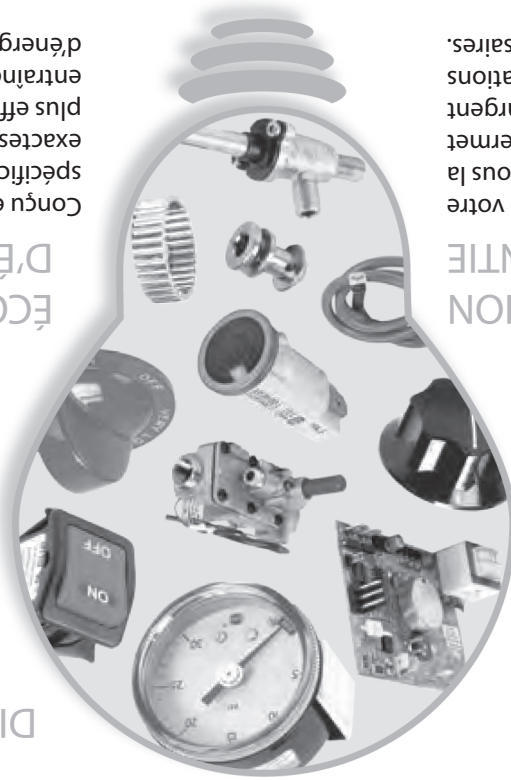
Conçu et testé pour des spécifications d'équipement exactes afin de fonctionner plus efficacement, ce qui entraîne des économies d'énergie au fil du temps.

FIABILITÉ

Conçu spécifiquement pour votre équipement afin de fournir des performances maximales et une disponibilité maximale.

PROTECTION
DE LA GARANTIE

Assure votre équipement sous la garantie et vous permet d'économiser de l'argent lorsque des réparations sont nécessaires.



Localisez un centre de service ou de pièces autorisé www.vulcanequipment.com/service

Commander des pièces en ligne www.hobartparts.com | 877.333.1863



Contrôle GRATUIT du nouvel équipement Vulcan et Wolf UN PARTENARIAT AVEC HOBART ET FOURNISSEURS DE SERVICES AUTORISÉS SOUS GARANTIE

Pour assurer que le nouvel équipement Vulcan et Wolf a été correctement installé et fonctionne correctement, un technicien de service d'entretien autorisé effectuera les étapes suivantes :

- Vérifier que le type de gaz approprié (propane ou naturel) a été connecté à l'équipement
- Vérifier que des raccords électriques appropriés ont été effectués.
- Vérifier que les régulateurs de pression appropriés ont été installés et ajustés, le cas échéant
- Vérifier que la taille et la pression de l'alimentation en gaz sont adéquates
- Vérifier que l'eau, la vapeur, les raccords de vidange appropriés ont été effectués
- Vérifier que le système de ventilation fonctionne correctement
- Vérifier les réglages de la veilleuse et du brûleur
- Vérifier le fonctionnement du thermostat, y compris l'étalonnage, si nécessaire
- Vérifier les parties fonctionnelles de l'opération, par exemple : portes, couvercles, vannes, etc.
- Conseiller sur les procédures de maintenance préventive
- L'équipement doit être complètement installé et prêt à fonctionner avant que la demande de vérification de l'équipement ne soit faite

Pour planifier votre CONTRÔLE GRATUIT, veuillez contacter votre représentant commercial!

Tension

Numéro M/L

Numéro de série

Numéro de modèle

Lorsque vous appelez pour un service, les renseignements suivants (qui se trouvent sur la plaque signalétique de votre machine) doivent être disponibles :

Courriel : steam.tech@itwreg.com

Vulcan Steamers Téléphone : 1 800 814-2028

Assistance technique

Les manuels sur l'installation et l'utilisation, les catalogues de pièces, les manuels d'entretien sont disponibles sur www.vulcanequipment.com sous l'onglet Ressources.

couverture de ce manuel.

Pour obtenir des renseignements sur l'entretien et les pièces de cette unité, communiquez avec l'agence de service Vulcan de votre région ou avec le service auxiliaire de Vulcan à l'adresse indiquée sur la page de

RENSEIGNEMENTS SUR L'ENTRETIEN ET LES PIÈCES

SYMPTÔMES	CAUSES POSSIBLES	MESURES CORRECTIVES
Eau non distribuée au générateur.	Le robinet d'alimentation en eau est fermé.	Ouvrez le robinet.
La pression de l'eau est trop faible.	Vérifiez la pression d'eau à l'entrée. La pression d'eau entrante doit être comprise entre 20 et 60 lb/po ² .	Reportez-vous au manuel du filtre à eau. Si le symptôme persiste, communiquez avec le préposé à l'entretien Vulcan agréé.
Le filtre à eau est bouché.	Le filtre du robinet d'arrivée d'eau est bouché.	Communiquez avec le préposé à l'entretien Vulcan agréé.
La vapeur sort par le dessous du cuiséur.	La pression du générateur est trop élevée.	Communiquez avec le préposé à l'entretien Vulcan agréé.



MESURES CORRECTIVES	CAUSES POSSIBLES	SYMPTÔMES
Vérifiez la source d'alimentation électrique ou le disjoncteur.	Aucune source d'alimentation principale.	Le cuisEUR à vapeur ne cuit pas à la vapeur
Appuyez sur l'interrupteur d'alimentation pour le mettre en position de MARCHE.	Commutateur d'alimentation à la position OFF (ARRÊT).	Le cuisEUR à vapeur ne chauffe/cuit pas correctement à la vapeur
Fermez la porte.	Porte ouverte.	
Reportez-vous au symptôme <i>Eau non distribuée au cuisEUR à la vapeur</i> .	Eau non distribuée au cuisEUR à la vapeur.	
Détartez le cuisEUR à vapeur (reportez-vous à la section RETRAIT DES DÉPÔTS CALCAIRES).	Accumulation excessive de tartre dans le cuisEUR à vapeur.	Le cuisEUR à vapeur ne chauffe/cuit pas correctement à la vapeur
La pression d'eau entrante doit être de 20–60 lb/po ² .	Pression d'eau excessive	Fuites au niveau de la porte
Vérifiez le joint d'étanchéité de la porte pour détecter des dommages éventuels. Si un réglage est nécessaire, communiquez avec le préposé à l'entretien Vulcan agréé.	Joint d'étanchéité de la porte endommagé. Mauvaise évacuation. Siphon bouché. Dommages à la surface d'étanchéité du joint.	
Retirez le reniflard et vérifiez que vous pouvez souffler à travers dans le sens du flux d'air.	Le reniflard de la cavité est bloqué en position fermée.	
Nettoyez le filtre de la cavité du compartiment. Si le symptôme persiste, communiquez avec le préposé à l'entretien Vulcan agréé.	Siphon bouché ou filtre obstrué.	L'eau s'accumule dans le compartiment.
Reportez-vous aux instructions de mise à niveau dans la section relative à l'INSTALLATION du présent manuel.	L'appareil n'est pas de niveau.	
Débouchez le siphon.	Siphon bouché.	
Abaissez la pression de l'eau en dessous de 60 lb/po ² . Si la pression d'eau ne peut pas être réglée sur place, installez un régulateur de pression d'eau CAMCO au niveau du robinet de remplissage.	La pression d'eau entrante dépasse 60 lb/po ² .	

DÉPANNAGE



ALIMENT	TEMPS (MINUTES)	POIDS PAR BAC
Brocoli	6 à 8	4 lb
Turons congelés	6 à 8	4 lb
Turons frais	4 à 6	5 lb
Bouquets congelés	4 à 6	5 lb
Chou frais, coupe de 1/6	6 à 8	5 lb
Carottes	6 à 8	7 lb
Mini-carottes entières congelées	6 à 8	7 lb
Coupe ondulee congelée	7 à 8	4 lb
Tranchées, fraîches	9 à 11	9 lb
Choux-fleurs, bouquets	4 à 6	4 lb
Congelés	7 à 8	5 lb
Frais	5 à 7	5 lb
Céleri, coupe diagonale de 1 po	3 à 5	5 lb
Mais	6 à 8	27 épis
Graine entière jaune congelée	16 à 18	80 épis
Morceaux d'épis congelés	16 à 18	54 épis
Epis de maïs, frais	10 à 12	18 épis
Pois verts	4 à 6	5 lb
Pommes de terre, reinette entière	50 à 55	40 lb
Épinards	15 à 17	6 lb
Hachés, congelés	4 à 5	6 lb
Décongelés	2 à 3	2 lb.
Frais coupés	22 à 25	10 moitiés
Demi-courges, demi-glands	6 à 8	10 lb
Courgette Zucchini en tranches	6 à 7	5 lb
Légumes mélangés congelés	2 à 3	1 couche libre par récipient
FRUITS		
Fruits, blanchir pour épilucher	2 à 4	
Pamplemousses, oranges		
Ananas, entier pour découper		



ALIMENTS À CUIRE DANS DES RÉCIPIENTS PERFORÉS

ALIMENT	TEMPS (MINUTES)	POIDS PAR BAC
FRUITS DE MER		
Myes		
Congelées	9 à 12	3 douzaines.
Palourde américaine fraîche	4 à 6	3 douzaines.
Crabe royal congelé		
Pinces	3 à 4	2 1/2 lb
Pattes	3 à 6	4 1/2 lb
Queue de homard congelée	5 à 6	10 lb
Homard vivant de 10 po à 12 po	4 à 5	4 par récipient
Filets de saumon congelés, 8 onces chacun	4 à 5	7 1/2 lb
Pétoncles frais	3 à 4	3 lb
Filets d'églefin frais	3 à 5	4 lb
ŒUFS		
Œuf dur	14 à 15	4 douzaines.
Œuf à la coque	8 à 10	4 douzaines.
Jaune d'œuf pour salade César	5 à 8	4 douzaines.
VIANDES		
Poulet – poitrines, jambes, cuisses	19 à 20	15 lb
Dinde congelée		
Poitrines (2)	86 à 90	6 à 7 lb chaque
Coupe en longueur	53 à 55	20 à 25 lb
Bœuf salé	40 à 75	6 à 8 lb
Hot-dogs et saucisses	2 à 3	80 à 100 moules
LÉGUMES		
Turion d'asperge congelés	10 à 12	3 lb
Frais	4 à 5	5 lb
Haricots		
verts, coupe de 2 po, congelés/frais	5 à 6	5 lb
Lima congelé	7 à 8	5 lb
Mini-Lima congelé	4 à 5	5 lb
Choux de Bruxelles congelés	5 à 6	5 lb

GUIDE DE CUISSON

Le cuiseur à vapeur cuit à la vapeur des légumes, des saucisses de Francfort, des œufs dans leurs coquilles et certaines autres viandes ou produits alimentaires à la pression atmosphérique.

Ces conseils relatifs à la cuisson ne sont que des suggestions. Vous devez tester vos produits alimentaires afin de déterminer le temps de cuisson qui vous donnera les meilleurs résultats. Les variables qui affectent le temps de cuisson sont notamment les dimensions, le poids, l'épaisseur des aliments, la température, la densité, l'état antérieur des aliments

Les récipients perforés doivent toujours être utilisés quand cela est possible. Les récipients perforés réduisent les durées de cuisson, favorisent l'uniformité de cuisson et réduisent l'accumulation d'humidité. Lorsque les récipients non perforés sont utilisés, évitez de couvrir le récipient avec un couvercle ou une pellicule en plastique pendant la cuisson.

(frais, préblanchis ou congelés) et le degré de cuisson voulu.

ALIMENTS À CUIRE DANS DES RÉCIPENTS NON PERFORÉS

ALIMENT	TEMPS (MINUTES)	POIDS PAR BAC
Œufs brouillés	9 à 12	8 douzaines.
Riz long grain (couvrez avec 4 tasses d'eau/lb.)	23 à 25	2 lb.
Pâtes alimentaires (placez le récipient perforé à l'intérieur du récipient non perforé, puis couvrez avec de l'eau froide)	10 à 15	4 lb
Spaghetti – Regular/Vermicelli	10 à 15	4 lb
Macaroni – Shells/Elbows	13 à 18	4 lb
Nouilles – 1/2 po de large	10 à 15	4 lb
Nouilles Lasagnes	13 à 18	4 lb
Cocottes gelées, lasagnes	33 à 35	Récipient entier
Pain de viande, 3-5 lb chaque	38 à 40	15 lb
Viande de bœuf		
Viande de bœuf hachée	19 à 25	10 lb
En tranches telles qu'achetées	33 à 40	10 lb
Crevettes congelées, 10 crevettes par lb	4 à 5	4 lb
Harcots		
Cuit au four	8 à 9	Boîte de conserve de 10 lb
Harcots frits	8 à 9	Boîte de conserve de 10 lb
Conserve de légumes	5 à 6	Boîte de conserve de 10 lb
Pruneaux séchés	11 à 15	Récipient entier

6. Retirez l'entonnioir du port de détarrage, rincez le port et ses environs avec de l'eau propre, puis essuyez.
7. Enduisez légèrement les fils de port avec du lubrifiant de détarrage Petrol-Gel, puis remplacez le bouchon de port. Le bouchon doit être installé et serré solidement en tout temps.
8. Appuyez sur l'interrupteur d'alimentation pour le mettre en position MARCHÉ.
9. Lorsque le voyant lumineux s'allume, tournez la minuterie de cuisson sur 3 minutes pour détarrer les tubes et les buses à vapeur.
10. Après une période de 40 minutes, appuyez sur l'interrupteur d'alimentation pour le mettre sur ARRÊT et laissez le générateur de vapeur se vider complètement, environ 5 minutes.
11. Rincez le générateur de vapeur avec de l'eau propre :
 - A. Appuyez sur l'interrupteur d'alimentation pour le mettre en position MARCHÉ. Lorsque le voyant lumineux s'allume, tournez la minuterie de cuisson sur 3 minutes pour rincer les tubes et les buses à vapeur.
 - B. Appuyez sur l'interrupteur d'alimentation pour le mettre sur ARRÊT et laissez le générateur de vapeur se vider complètement.
 - C. Tournez la minuterie de cuisson vers OFF (arrêt).
 - D. Répétez le ringage du générateur de vapeur une autre fois.
12. Nettoyez l'extérieur et l'intérieur en utilisant une solution douce d'eau et de savon. Rincez à l'eau propre et séchez avec un chiffon doux.
13. Laissez la porte du compartiment ouverte lorsque vous ne l'utilisez pas.
14. Le cuisEUR à vapeur est maintenant prêt à l'emploi.

JOINT D'ÉTANCHÉITÉ DE LA PORTE

Si le joint d'étanchéité de la porte présente une fuite due à une entaille ou coupure, il doit être remplacé. Les dommages à la surface d'étanchéité du joint causent des fuites de vapeur.

VIDANGE DU GÉNÉRATEUR

Vidangez chaque générateur à la fin de chaque jour pour éliminer les minéraux et minimiser l'accumulation de tartre. Chaque générateur se vide automatiquement pendant environ 5 minutes après que l'interrupteur d'alimentation est mis sur arrêt.

REMARQUE : Cette procédure ne vise pas à prendre la place d'un programme de traitement de l'eau.

Procédure de détarrage

Dureté (grains)	Horaires de détarrage
0 à 5	6 mois
5 à 10	3 mois
10 à 15	Tous les mois
15 à 20	aux 2 semaines
20+	Un autre traitement d'eau est requis

Horaires de détarrage

1. Appuyez sur l'interrupteur d'alimentation pour le mettre en position d'arrêt. Attendez 5 minutes pour que le générateur de vapeur puisse se vider complètement et la vanne de vidange se ferme.
2. Tournez les minuteries de cuisson vers OFF (arrêt).
3. Préparez la solution de détarrage selon les instructions sur l'emballage du matériel de détarrage. Suivez les instructions du fabricant. La capacité du générateur et du surchauffeur est d'environ 1,8 gallons.
4. Retirez le bouchon du port situé sur le rebord avant sous le compartiment inférieur et insérez un entonnioir dans le port de détarrage (fig. 3).

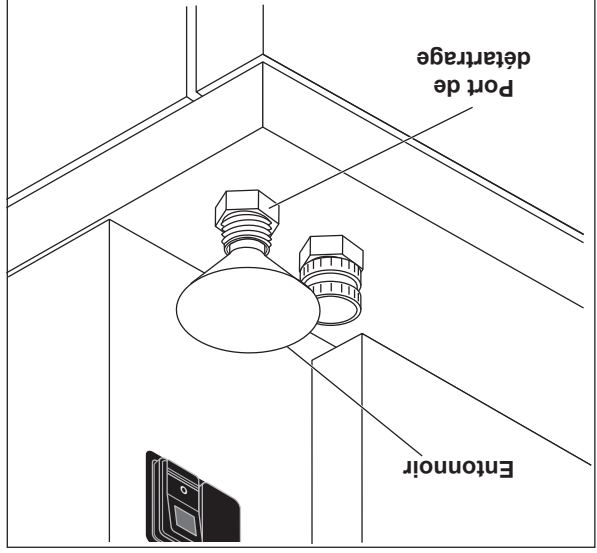


Figure 3

5. Versez la solution de détarrage dans le générateur de vapeur lentement pour éviter les déversements.

ENTRETIEN DES SURFACES EN ACIER INOXYDABLE

Il y a quatre choses qui peuvent détériorer l'acier inoxydable et favoriser la corrosion :

- 1) Abrasion
- 2) Dépôts
- 3) Eau
- 4) Chlorures

Évitez de frotter avec des tampons en acier, des brosses métalliques ou des grattoirs qui peuvent laisser des dépôts de fer sur la surface en acier inoxydable. Utilisez plutôt des tampons de récurage en plastique ou des chiffons doux. Pour les taches

plus tenaces, utilisez des produits tels que Cameo™, talc ou Zud First Impression™. Frottez toujours en parallèle avec les lignes de polissage ou en direction des grains.

L'eau dure peut laisser des dépôts qui favorisent la rouille sur la surface en acier inoxydable. L'eau traitée des adoucisseurs ou de certains filtres peut éliminer ces dépôts minéraux. D'autres dépôts des aliments et de la lubrification doivent être correctement éliminés par le nettoyage. Utilisez des nettoyeurs à base de javellisant sans chlore. Rincez soigneusement et essuyez pour sécher. Appliquez de la cire recommandée pour l'acier inoxydable (telle que Benefit™ ou Super Sheen™) pour plus de protection et lustre, le cas échéant.

ENTRETIEN

⚠️ AVERTISSEMENT Le cuiseur vapeur et ses pièces sont chauds. Faites attention lorsque vous utilisez, nettoyez ou entreenez le cuiseur vapeur. Le compartiment de cuisson contient de la vapeur vive. Éloignez-vous lorsque vous ouvrez la porte.

SYSTÈME DE TRAITEMENT D'EAU

Un système de traitement d'eau est recommandé pour le cuiseur à vapeur. Reportez-vous au manuel de votre fournisseur pour les procédures normales d'entretien afin d'assurer un fonctionnement correct sans tartre.

RETRAIT DES DÉPÔTS CALCAIRES

Le cuiseur à vapeur doit être détarté lorsque les symptômes apparaissent (voir Tableau de dépannage). Cette opération est conforme au programme d'entretien préventif minimal requis par la garantie.

⚠️ AVERTISSEMENT Lisez et suivez les instructions sur l'emballage du matériel de détartage.

Évitez tout contact avec la peau et les yeux. Portez des gants en plastique ou en caoutchouc et des lunettes de protection lors de la manipulation. Lavez-vous soigneusement les mains après la manipulation. Si la solution de détartage entre en contact avec la peau ou les yeux, rincez-les abondamment avec de l'eau propre.

REMARQUE : La capacité du générateur est d'environ 1,8 gallons.

Éléments requis (non fournis) :

- Matériel de détartage (« Scale Release » n° 854893-13. Il est nécessaire d'utiliser 28 onces C24ET6/10.)
- Entonnoir
- Gants en plastique ou en caoutchouc
- Lunettes de sécurité ou masque protecteur
- Tasse à mesurer
- Récipient d'un gallon pour mélanger la solution de détartage
- Lubrifiant Petrol-Gel ou de la graisse équivalente de qualité alimentaire pour enduire et détartre le filetage des ports.

REMARQUE : La solution de détartage peut entraîner le ternissement ou la corrosion de la surface des outils de mesure en aluminium.

ENTRETIEN ET NETTOYAGE DE L'ÉQUIPEMENT EN ACIER INOXYDABLE

Contrairement à la croyance populaire, les aciers inoxydables SONT sujets à la rouille.

La corrosion des métaux est répandue. Elle se reconnaît rapidement sur le fer et l'acier sous forme de taches de rouille disgracieuses jaunes ou oranges. De tels métaux sont dits « actifs » parce qu'ils se corrodent activement dans un environnement naturel, lorsque leurs atomes combinent avec l'oxygène pour former la rouille.

Les aciers inoxydables sont des métaux « passifs », car ils contiennent d'autres métaux tels que le chrome, le nickel et le manganèse, qui stabilisent les atomes. Les aciers inoxydables de série 400 sont appelés ferritiques, contiennent du chrome et sont appelés austénitiques; les aciers inoxydables de série 300 sont appelés austénitiques et contiennent du chrome et du nickel et les aciers inoxydables de série 200 sont également austénitiques et contiennent du manganèse, de l'azote et du carbone. Les aciers inoxydables fournissent généralement une plus grande résistance à la corrosion que ceux de type ferritique.

Ennemis de l'acier inoxydable

Il y a trois éléments fondamentaux qui peuvent briser la couche passive de l'acier inoxydable et faciliter la corrosion.

1. Abrasion mécanique.
2. Dépôts et eau.
3. Chlorures.

L'abrasion mécanique fait référence à toutes ces choses qui pourraient rayer la surface de l'acier comme les plaquettes en acier, les brosses métalliques et les racloirs.

L'eau sort du robinet avec divers degrés de dureté. Selon la région du pays où vous vivez, vous pouvez avoir de l'eau dure ou de l'eau douce. L'eau dure peut laisser des taches et lorsqu'elles sont chauffées, laissent des dépôts qui peuvent briser la couche passive et rouiller l'acier inoxydable, s'ils ne sont pas éliminés. D'autres dépôts qui résultent de la préparation de la nourriture et de l'entretien doivent être correctement éliminés.

Les chlorures sont présents presque partout dans le monde. Ils sont dans l'eau, dans la nourriture et dans le sel de table. L'une des sources de chlorure le plus dangereuses provient des agents nettoyants domestiques et industriels.

Alors, que signifie tout cela? Ne désespérez pas!

Voici quelques conseils qui peuvent aider à empêcher la rouille de l'acier inoxydable.

1. Utilisez des outils appropriés.

Lorsque vous nettoyez des produits en acier inoxydable, utilisez des outils non abrasifs. Les chiffons doux et les tampons à récureur en plastique ne nuisent pas à la couche passive de l'acier. Les plaquettes en acier inoxydable peuvent également être utilisées, mais le mouvement de récureur doit se produire dans le sens des marques de polissage des fabricants.

2. Nettoyez conformément aux lignes de polissage.

Certains aciers inoxydables sont livrés avec des lignes ou des grains de polissage visibles. Lorsque les lignes visibles sont présentes, frottez toujours dans un mouvement parallèle aux lignes. Lorsque les grains ne sont pas visibles, privilégiez la sécurité et utilisez un chiffon doux ou un tampon à récureur en plastique.

3. Utilisez des agents nettoyants alcalins, alcalins chlorés ou sans chlorures.

Alors que de nombreux agents nettoyants traditionnels sont chargés de chlorures, l'industrie fournit un choix grandissant d'agents nettoyants sans chlorure. Si vous n'êtes pas sûr du contenu en chlorures de l'agent nettoyant utilisé, communiquez avec votre fournisseur d'agent nettoyant. Si votre agent nettoyant actuel contient des chlorures, demandez à votre fournisseur s'il a un produit alternatif. Évitez les agents nettoyants contenant des sels quaternaires; ils peuvent aussi attaquer l'acier inoxydable et entraîner l'apparition des piqûres et de la corrosion.

4. Traitez votre eau.

Même si ce n'est pas toujours pratique, l'adoucissement d'une eau dure peut contribuer de façon significative à réduire les dépôts. Certains filtres peuvent être installés pour retirer les éléments déplaçants et corrosifs. Pour assurer un bon traitement de l'eau, communiquez avec un spécialiste du traitement.



NETTOYAGE

COMPARTIMENTS

Lavez l'intérieur du compartiment à l'aide d'une solution d'eau tiède et de détergent sans chlorure. Rincez avec de l'eau chaude.

Nettoyez soigneusement les surfaces exposées (les côtés, la partie avant, la porte et la partie supérieure) à l'aide d'un chiffon humide et polissez chaque jour avec un chiffon propre. Pour éliminer toute décoloration, utilisez un agent nettoyant non abrasif.

JOINT D'ÉTANCHÉITÉ DE LA PORTE

Nettoyez quotidiennement la surface d'étanchéité du joint de la porte du compartiment pour retirer les acides alimentaires afin d'obtenir une durée de vie maximale du joint d'étanchéité. N'utilisez aucun solvant ou instrument tranchant. Lavez à l'aide d'un chiffon imbibé d'une solution de détergent doux et d'eau tiède. Rincez à l'aide d'un chiffon propre imbibé d'eau tiède pour enlever toutes les traces de détergent.

Essayez avec un chiffon propre. N'appliquez jamais les huiles alimentaires ou les lubrifiants à base de pétrole directement sur le joint d'étanchéité de la porte. Les solvants et les lubrifiants à base de pétrole réduisent la durée de vie du joint d'étanchéité.

LAISSER LES PORTES DU COMPARTIMENT OUVERT

Laissez les portes du compartiment légèrement ouvertes lorsque le cuisinier à vapeur n'est pas en cours d'utilisation. Lorsque le compartiment n'est pas utilisé, ne verrouillez jamais la porte et n'appliquez jamais une pression sur le joint d'étanchéité de la porte. Si vous laissez le joint sous pression, vous risquez de provoquer une déformation permanente et de réduire la durée de vie du joint.

AVERTISSEMENT Coupez l'alimentation électrique à la machine et suivez les procédures de verrouillage/d'étiquetage avant de procéder au nettoyage.

VIDANGE DU COMPARTIMENT DE CUISSON

Assurez l'écoulement sans obstruction des tuyaux de vidange de compartiment. Vérifiez la présence d'obstruction quotidiennement dans les tuyaux d'évacuation de compartiment. Retirez quotidiennement toutes les particules ou débris de la crêpine (ou plus souvent si nécessaire).

Après le cuisson des aliments gras ou poissons et fruits de mer, fermez les portes et faites fonctionner chaque compartiment pendant 25 à 30 minutes pour rincer et vidanger toute graisse résiduelle. Préparez une solution d'eau tiède avec du détergent à base de javellisant sans chlorure ou au chlore et versez 1,9 litres (1/2 gallon) de cette solution dans le tuyau d'évacuation de chaque compartiment. Rincez en versant 1,9 litres (1/2 gallon) d'eau chaude dans le tuyau d'évacuation de chaque compartiment.

VIDANGE DES GÉNÉRATEURS

Pour éviter tout dysfonctionnement des commandes et toute obstruction, il est essentiel de vidanger les deux générateurs chaque jour. Ceci éliminera les minéraux accumulés de l'eau d'alimentation et aidera également à prévenir l'accumulation de tartre interne qui pourrait interférer avec le bon fonctionnement du générateur. Ne pas vidanger les générateurs chaque jour annulera la garantie du cuisinier à vapeur. La présence de minéraux en suspension est indiquée par un aspect trouble ou laiteux dans la première partie de l'eau vidangée.

AVERTISSEMENT L'eau vidangée est chaude et sous pression. Faites attention lorsque vous nettoyez ou entreenez le générateur.

Après avoir utilisé le générateur, éteignez l'appareil au moyen de l'interrupteur d'alimentation situé sur le compartiment de cuisson pour vidanger le générateur. Le générateur se videra pendant environ 5 minutes, et toute accumulation de sédiments, de tartre et de calcaire est éliminée du générateur.

ARRÊT POUR UNE PÉRIODE PROLONGÉE

1. Appuyez sur les interrupteurs d'alimentation pour les mettre en position d'arrêt.
2. Laissez l'eau s'évacuer complètement.
3. Coupez la source d'alimentation électrique principale.
4. Fermez l'alimentation en eau.

AVIS L'ensemble de filtre à particules

doit être remplacé si le cuiséur à vapeur est arrêté pendant plus de 30 jours, et ce, avant de le redémarrer.

5. Nettoyez à fond les compartiments, les joints des portes, etc.
6. Laissez la porte du compartiment ouverte pour que la cavité et le joint de la porte puissent sécher.

3. Réglez la minuterie à la durée de cuisson désirée. La cuisson à la vapeur débute. Le voyant de CUISSON rouge s'allume.

4. Le cycle de cuisson peut être interrompu à tout moment en ouvrant la porte du compartiment. Fermez la porte pour reprendre la cuisson.

5. Lorsque l'avertisseur retentit, le cycle de cuisson à la vapeur minute est terminé. La cuisson à la vapeur s'arrête et le voyant de CUISSON s'éteint. Pour interrompre l'avertisseur, tournez le cadran de réglage de minuterie à la position OFF (arrêt).

Reportez-vous au manuel Steam Cooking with Vulcan Kettles and Steamers (Cuisson à la vapeur avec les marmites et cuiséurs à la vapeur Vulcan) emballé avec votre cuiséur à la vapeur pour obtenir les durées de cuisson suggérées. Consultez également les CONSEILS DE CUISSON dans le présent manuel. La taille, le poids, le chargement du récipient et la qualité du produit affecteront les durées de cuisson qui doivent être ajustées pour répondre à vos besoins.

ARRÊT QUOTIDIEN

1. Appuyez sur les interrupteurs d'alimentation pour les mettre en position d'arrêt.
2. Nettoyez les compartiments.
3. Laissez la porte du compartiment ouverte pour que la cavité et le joint de la porte puissent sécher.

AVIS

L'alimentation électrique du cuiséur à vapeur doit rester allumée pendant 15 minutes après que l'interrupteur d'alimentation principal est réglé sur la position d'arrêt. Cela permettra au cycle de vidange de se terminer.

FONCTIONNEMENT

Minuterie

La minuterie sert à régler la durée désirée du cycle de cuisson. La durée du cycle de cuisson à la vapeur peut être réglée de 0 à 60 minutes ou la minuterie peut être réglée sur « constant stream » (vapeur constante). Tournez le cadran de réglage de minuterie vers la position OFF (arrêt) pour mettre au silence l'avertisseur.

Voyant Prêt (vert)

Lorsqu'allumé, le voyant indique que le cuitiseur à vapeur est prêt pour le cycle de cuisson.

Voyant de cuisson (rouge)

Lorsqu'allumé, le voyant indique que le cuitiseur à vapeur est en mode de cuisson.

Interrupteur d'alimentation MARCHÉ/ARRÊT (compartiments supérieur et inférieur)

Interrupteur d'alimentation MARCHÉ/ARRÊT avec voyant lumineux.

PRÉCHAUFFAGE

Les compartiments de cuisson doivent être préchauffés avant la première utilisation de la journée ou lorsqu'ils sont froids. Gardez la porte fermée pendant le cycle de préchauffage.

- Appuyez sur l'interrupteur d'alimentation pour le mettre en position de marche, puis réglez la minuterie à 10 minutes pour préchauffer le compartiment.
- Lorsque l'avertisseur retentit, tournez la minuterie vers la position OFF (arrêt). Le cuitiseur à vapeur est prêt à cuire.

CUISSON À LA VAPEUR

Chaque compartiment de vapeur possède son propre générateur et ses propres commandes. Dès que les compartiments sont préchauffés et le voyant PRÊT vert est allumé, le cuitiseur à vapeur est prêt à utiliser.

1. Ouvrez la porte du compartiment.
2. Placez les récipients d'aliment à cuire dans le compartiment et fermez la porte.

pièces sont chauds. Faites attention lorsque vous utilisez, nettoyez ou entreenez le cuitiseur à vapeur. Le compartiment de cuisson contient de la vapeur vive. Éloignez-vous lorsque vous ouvrez la porte.

COMMANDES ET VOYANTS

La section supérieure du cuitiseur à vapeur comprend deux compartiments de cuisson. Chaque compartiment fonctionne indépendamment avec ses propres commandes (Fig. 2) et constitue une chambre séparée et étanche au cours du cycle de cuisson.

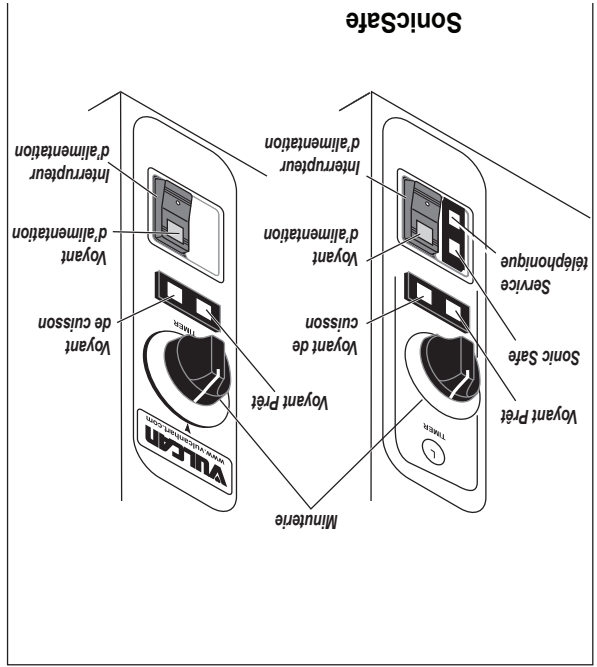


Figure 2

Désignation/explication de l'éclairage SonicSafe :

- Voyant SonicSafe (vert) Indique que SonicSafe fonctionne correctement lorsque le voyant est allumé en vert.
- Appellez le service d'entretien (rouge) Indique que la fonction SonicSafe ne fonctionne pas correctement lorsque le voyant est allumé en rouge. Contactez un réparateur Vulcan agréé pour diagnostiquer correctement le problème.



Les températures dans le siphon peuvent brève-
ment atteindre une température élevée de
100 °C (212 °F). Les codes locaux peuvent exiger
que la température de l'eau du siphon ne soit
pas supérieure à 60 °C (140 °F). Un moyen pour
abaisser la température de l'eau doit être fourni
par l'utilisateur ou l'installateur pour répondre à
l'exigence de ce code.

HOTTE DE VENTILATION

Les codes locaux peuvent exiger que le cuisEUR à
vapeur soit situé sous une hotte de ventilation. Les
renseignements sur la construction et l'installation
des hottes de ventilation peuvent être obtenus de
la dernière édition Vapor Removal from Cooking
Equipment (Retrait de la vapeur d'un équipement
de cuisson), norme NFPA n° 96.

Exigences d'évacuation

Un tuyau d'une longueur de 6 à 10 pi et de
diamètre de 1/2 po avec 3 coudes nécessite un
tuyau d'évacuation

Un tuyau d'une longueur de 10 à 15 pi et de
diamètre de 2 po avec 3 coudes nécessite un
tuyau d'évacuation



Afin d'éviter toute contre-pression

dans le cuisEUR à vapeur, ne raccordez pas de
manière permanente à un siphon. RÉALISER
UN RACCORDEMENT PERMANENT OU SANS
INTERVALLE D'AIR PEUT ENDOMMAGER LE
CUISEUR À VAPEUR ET ANNULER LA GARANTIE.

AVERTISSEMENT Le cuisEUR vapeur et ses
pièces sont chauds. Faites attention lorsque
vous utilisez, nettoyez ou entreenez le cuisEUR
à vapeur. Le compartiment de cuisson contient
de la vapeur vive. Eloignez-vous lorsque vous
ouvrez la porte.

Une fois le cuisEUR à vapeur installé et que tous les
raccordements mécaniques ont été effectués, testez
le cuisEUR à vapeur de manière approfondie avant
de le faire fonctionner.

1. Vérifiez que les raccordements appropriés de
l'alimentation en eau, du siphon ainsi que les
raccordements électriques ont été effectués.

2. Appuyez sur l'interrupteur d'alimentation pour
le mettre en position ON (marche). Chaque
compartiment dispose de son propre interrupteur
d'alimentation individuelle. Après environ 15
minutes, le voyant lumineux s'allume indiquant
que le générateur a atteint la pression de
fonctionnement.

3. Ouvrez la porte, réglez la minuterie à 5 minutes
et observez que la vapeur n'entre pas dans
le compartiment et que les voyants Prêt et de
cuisson sont éteints.

4. Fermez la porte du compartiment. Les voyants
Prêt et de cuisson s'allument et vous pouvez
maintenant entendre la vapeur entrer dans le
compartiment.

7. Fermez la porte du compartiment et laissez le
cycle de cuisson s'achever. Lorsque la minuterie
retourne à la position 0, un avertisseur retentit et
le voyant de cuisson s'éteint pour signaler la fin du
cycle de cuisson. Pour interrompre l'avertisseur,
tournez le cadran de réglage de minuterie à la
position OFF (arrêt).

8. Suivez les étapes de 3 à 7 pour chaque
compartiment.

9. Appuyez sur les interrupteurs d'alimentation pour
les mettre en position d'arrêt. Laissez la porte du
compartiment légèrement ouverte pour permettre
à l'intérieur de sécher.

DÉMARRAGE

AVIS Ne serrez pas trop les raccords d'eau. Un serrage excessif des raccords du tuyau endommagera le robinet d'eau. Tournez le raccord du tuyau à la main jusqu'à ce qu'en butée, puis serrez en le tournant 2/3 de tour à l'aide d'une pince. Vérifiez les fuites.

AVIS Si les conduites d'eau se déplacent pendant le fonctionnement de la vanne de remplissage d'eau, un pare-brise doit être ajouté.

Un système de filtre à eau est recommandé pour le tuyau d'alimentation en eau acheminant vers l'entrée pour l'eau traitée. Suivez les recommandations d'utilisation et les instructions d'installation fournies avec le filtre à eau. Si un filtre à eau n'est pas installé, la garantie du générateur de vapeur peut être limitée. Un robinet d'arrêt manuel doit être fourni dans un emplacement idéal à proximité du cuisseur à vapeur.

Système de filtration

Si vous décidez de ne pas installer un système de filtration de réduction de tartre conçu pour les équipements de vapeur ou utilisez un système d'un autre fabricant non recommandé par Vulcan, veuillez suivre les directives ci-après.

Si vous détectez l'appareil avec un agent de détartage recommandé pour une chaudière à vapeur et des générateurs en acier inoxydable, et que vous avez de l'eau municipale ou de l'eau de puits traitée, un filtre de bloc de carbone doit être installé et entretenu. Les cartouches filtrantes au charbon bloc éliminent le chlore et les chloramines désinfectants de l'eau. Le chlore et les chloramines éroderont la chaudière ou le générateur de vapeur et entraîneront la défaillance de l'appareil, qui n'est pas couvert par la garantie.

Les tuyaux d'alimentation en eau acheminant au cuisseur à vapeur doivent être rincés à fond avant de terminer le raccordement. Les particules dans l'eau pourraient s'accumuler dans les vannes d'eau et de vapeur ou boucher les tubes et les composants qui maintiennent le niveau d'eau et la pression dans la chaudière ou le générateur de vapeur. Si l'alimentation en eau n'est pas libre de sédiments ou est embrouillée après plusieurs minutes de rinçage, un filtre à sédiments doit être installé avant l'utilisation.

Si vous avez acheté un système de filtration d'eau de Vulcan, veuillez suivre les instructions fournies

avec le système de filtration d'eau. Au moment de l'installation, vous devez enregistrer votre appareil à vapeur sur www.vulcanequipment.com. Vous devrez enregistrer votre cuisseur à vapeur à chaque changement de filtre pour assurer que votre garantie standard et étendue est maintenue.

Raccordement du tuyau d'évacuation

Le raccord fileté de 1/2 po NPT sur la boîte de condensateur doit être prolongé pour que sa longueur soit au moins 305 mm (12 po) jusqu'à une longueur maximale de 1829 mm (72 po) de la base du cuisseur à vapeur (avec pas plus de deux coudes), vers un siphon de type avec intervalle d'air (fig. 1). Ne réduisez pas le tuyau d'évacuation de 1/2 po NPT sur toute sa longueur. Si la tuyauterie d'évacuation doit dépasser 72 po (120 po max.) en longueur, le diamètre du siphon doit être augmenté de 2 po.

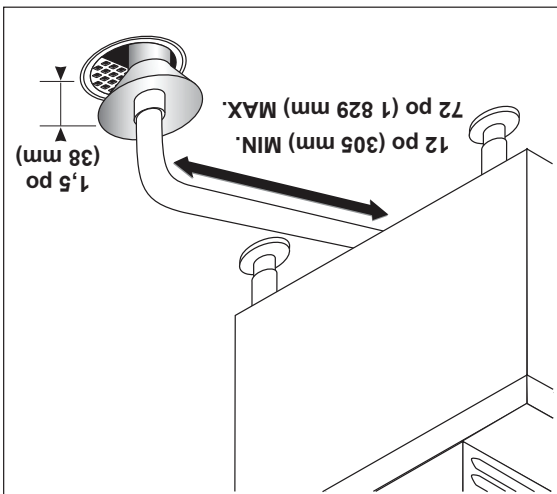


Figure 1

Prévoyez un réservoir de drainage au sol avec une profondeur minimale de 305 mm (12 po). Le réservoir de drainage au sol ne doit PAS être situé directement sous le cuisseur à vapeur et doit être situé à une distance de sorte que la vapeur et les buées ne puissent pas entrer dans le cuisseur à vapeur par en dessous. Le siphon doit être situé à un point inférieur distant du cuisseur à vapeur, soit une inclinaison de 6,3 mm (1/4 po) pour chaque pied de longueur du tuyau d'évacuation. Le tuyau d'évacuation doit être soit en fer ou en cuivre. N'utilisez PAS un tuyau en PVC; un tuyau en PVC peut perdre sa rigidité ou la colle peut perdre son adhésion. Un intervalle d'air de 38 mm (1 1/2 po) est requis pour le siphon.

RACCORDEMENT ÉLECTRIQUE

AVERTISSEMENT Les raccordements électriques et à la terre doivent être conformes aux sections applicables du Code national de l'électricité et aux autres codes locaux en matière d'électricité.

Le schéma de câblage se trouve à l'intérieur du compartiment sur le panneau de droite.

Courant d'alimentation de C24ET6 et C24ET10

MODÈLE	pH	Kw	A	208 V			240 V			480 V
				3	1	3	3	1	3	
C24ET6-LWE	17,0	53,0	17,0	41,0	17,0	30,0	72,2	30,0	17,0	20,4
C24ET10-LWE	30,0	94,0	82,0	17,0	17,0	30,0	72,2	30,0	17,0	20,4
C24ET6	17,0	53,2	17,0	41,0	17,0	30,0	72,2	30,0	17,0	20,4
C24ET10	30,0	144,0	30,0	125,0	30,0	30,0	72,2	30,0	17,0	20,4
C24ET6-PS	18,1	88,0	18,1	77,0	18,5	30,0	72,2	30,0	17,0	20,4
C24ET10-PS	31,1	149,6	31,1	131,3	18,5	30,0	72,2	30,0	17,0	20,4

RACCORDEMENT DE PLOMBERIE

AVERTISSEMENT Le raccordement de plomberie doit être conforme aux codes sanitaires, de sécurité et de plomberie.

Besoins en eau

Une bonne qualité d'eau peut améliorer le goût des aliments préparés dans le cuiseur à vapeur, réduire le chaulage dans le générateur de vapeur et prolonger la durée de vie de l'équipement. Les conditions hydrologiques varient d'un endroit à un autre. Communiquez avec votre fournisseur d'eau municipale pour obtenir plus de détails sur votre approvisionnement local en eau avant de procéder à l'installation. La présence des sédiments, de la silice et d'un excès de chlore ou d'autres solides dissous peut conduire à des recommandations relatives à d'autres procédés de traitement de l'eau. Testez l'eau à l'aide du bâtonnet diagnostique qui accompagne le cuiseur à vapeur. D'autres facteurs qui affectent la production de vapeur sont la teneur en fer, la quantité de chlore et les gaz dissous.

Traitement de l'eau

Un spécialiste local du traitement de l'eau doit être consulté avant l'installation de l'équipement de production de vapeur.

Raccordement à l'alimentation en eau

Si l'alimentation en eau ne répond pas à ces normes, il est nécessaire d'installer un conditionneur d'eau ou un système de filtre à réduction de tartre et de chlore à la canalisation d'eau du générateur. L'utilisation de crépines ou de filtres à particules n'enlève pas les minéraux de l'eau.

Pression d'admission 20 psig pression d'écoulement – 60 psig pression statique –	Dureté*	Pas plus de 3 grains	Silice	moins de 13 ppm	Chlore total	moins de 0,5 ppm	Plage de PH	6,5 à 8	Solide non dissous	moins de 5 microns	*17,1 ppm = 1 grain de dureté
--	---------	----------------------	--------	-----------------	--------------	------------------	-------------	---------	--------------------	--------------------	-------------------------------

Raccordez le tuyau d'alimentation en eau froide traitée au raccord d'entrée mâle de 19 mm (3/4 po) (filletage extérieur). Raccordez le tuyau d'alimentation en eau froide non traitée au raccord d'entrée mâle de 19 mm (3/4 po) (filletage extérieur) qui porte le marquage UNTREATED WATER (eau non traitée).

appareil fonctionne à 60 Hz ou 50 Hz. L'opération de conversion doit être effectuée par un technicien de réparation autorisé Vulcan. La série LWF n'est pas disponible en une seule phase.

DÉBALLAGE

Ce cuiseur à vapeur a été inspecté avant de quitter l'usine. La société de transport assume l'entière responsabilité de la livraison en bon état du fait de l'acceptation de l'expédition.

DÈS QUE LE MATÉRIEL EST DÉBALLÉ, ASSUREZ-VOUS QU'IL N'A SUBI AUCUN DOMMAGE. LE MATÉRIEL D'EMBALLAGE ET COMMUNIQUÉ AVEC LE TRANSPORTEUR DANS LES 5 JOURS D'OUVERTURE QUI SUIVENT LA LIVRAISON.

CODES ET NORMES D'INSTALLATION

Aux États-Unis d'Amérique :

1. Codes de l'État et codes locaux.

2. National Fuel Gas Code, ANSI/Z223.1/NFPA 54 (dernière édition). Des exemplaires peuvent être obtenus auprès de la société The American Gas Association, Accredited Standards Committee 2223, 400 N. Capital St. NW, Washington D.C. 2001 ou du Secretary Standards Council, NFPA, 1 Batterymarch Park, Quincy MA 02169-7471.

AVIS

Dans le Commonwealth de Massachusetts :

Tous les appareils d'utilisation du gaz ventilé par hotte de ventilation ou système d'évacuation équipé d'un clapet ou d'un moyen mécanique d'évacuation doivent être conformes à la norme 248 CMR. 3. Dernière édition NFPA-96 Vapor Removal from Cooking Equipment (Retrait de la vapeur d'un équipement de cuisson).

4. Des exemplaires peuvent être obtenus auprès de la National Fire Protection Association (Association nationale de protection contre l'incendie), Batterymarch Park, Quincy, MA 02169-7471.

5. National Electrical Code (Code national de l'électricité), ANSI/NFPA-70 (dernière édition). Des exemplaires peuvent être obtenus auprès de la National Fire Protection Association (Association nationale de protection contre l'incendie), Batterymarch Park, Quincy, MA 02169-7471.

Au Canada, le cuiseur à vapeur doit être installé conformément aux normes et codes ci-après :

- 1. Codes locaux.
- 2. Code canadien de l'électricité (CSA C22.2 du n° 3, dernière édition) disponible auprès de l'Association canadienne de normalisation, 5060, Spectrum Way, Mississauga, Ontario, Canada L4W 5N6.

EMPLACEMENT

Prévoyez un espace pour les raccords électriques et de plomberie. Pour obtenir une bonne circulation d'air à l'arrière, il faut au moins un dégagement de 6 po (15,2 cm). Prévoyez un accès adéquat pour le fonctionnement et l'entretien du cuiseur à vapeur : 36 po (91,4 cm) à l'avant du cuiseur à vapeur, 15 po (38 cm) au-dessus du cuiseur à vapeur et 18 po (45,7 cm) aux côtés droit et gauche du cuiseur à vapeur.

NIVELLEMENT ET ANCRAGE

Positionnez le cuiseur à vapeur à son emplacement d'installation final. Placez un niveau sur la partie horizontale de l'armoire. Ajustez les pieds pour mettre le cuiseur à vapeur à niveau dans les deux sens (gauche à droite et avant à l'arrière).

Les cuiseurs à vapeur doivent être suffisamment élevés à l'avant, environ 1/16 po à 1/8 po (2 à 3 mm), pour que l'écoulement puisse se faire correctement. Elevez le devant du cuiseur vapeur en tournant les pieds de nivellement de 1 à 1/2 tours après avoir effectué le nivellement. Vérifiez l'écoulement dans les compartiments du cuiseur vapeur en versant une petite quantité d'eau dans le compartiment. Toute l'eau doit s'écouler.

Les pieds d'ancrage ont des trous de 7/16 po qui sont prévus pour les boulons d'ancrage.



INSTALLATION, FONCTIONNEMENT ET ENTRETIEN DES CUISEURS À VAPEUR DE SÉRIE C24ET

VEUILLEZ CONSERVER CE MANUEL EN VUE D'UNE UTILISATION ULTÉRIEURE

au cours d'un cycle de cuisson et réduire la quantité d'énergie électrique et d'eau consommées.

Cuisson à la vapeur

Les cuiseurs à vapeur atmosphériques offrent un moyen efficace de produire de nombreux aliments en petites ou grosses portions. La cuisson à vapeur atmosphérique et à convection cuit les aliments frais à la vapeur ou dégèle ou cuit les aliments congelés à la vapeur fournissant le maximum de couleur, de saveur et de valeur nutritive à la moindre dépense d'énergie et de la main-d'œuvre. Le compartiment à la vapeur atmosphérique permet à l'opérateur d'ouvrir et de fermer la porte à tout moment au cours d'un cycle de cuisson. L'élément de générateur s'éteint lorsque la porte est ouverte, puis redémarre lorsque la porte est fermée.

OPTION DE PRÉVENTION DE TARTRE SONICSAFE

Les ondes sonores créent des millions de bulles microscopiques à l'intérieur du générateur de vapeur, provoquant une puissante énergie de vide qui empêche le tartre de se fixer aux parois du vapeur. Le panneau de commande est équipé de voyants lumineux indiquant que le système SonicSafe est en cours de fonctionnement et pour indiquer s'il y a un problème et qu'un service d'entretien est nécessaire. Déterminez une fois par trimestre au lieu d'une fois par mois et changez votre filtre à charbon une seule fois par an.

INSTALLATION

Avant d'installer, vérifiez que l'alimentation électrique est conforme aux spécifications de la plaque signalétique située à l'avant de la machine. Si les exigences relatives à l'alimentation et à l'équipement ne sont pas respectées, ne procédez pas à l'installation. Communiquez immédiatement avec votre concessionnaire Vulcan.

Cet appareil est livré pré-câblé pour 208/60/3 ou 480/60/3. Le fonctionnement monophasé à 240 V requiert des modifications au niveau des caractéristiques ci-après de branchement du dispositif de chauffage : 240/60/3, 240/60/1 et 208/60/1. Cet

Les cuiseurs vapeur et à convection de marque Vulcan sont produits au moyen d'une main-d'œuvre et de matériaux de qualité. Une installation, une utilisation et un entretien appropriés se traduiront par plusieurs années de rendement satisfaisant. Nous vous recommandons de lire attentivement ce manuel dans son intégralité et de suivre soigneusement toutes les instructions fournies.

GÉNÉRALITÉS

Les cuiseurs à vapeur et à convection C24ET6 et C24ET10 sont des cuiseurs à vapeur électriques sans pression comportant deux compartiments et deux générateurs électriques de vapeur qui maintiennent la température de l'eau à environ 91 °C (195 °F). La puissance nominale du modèle C24ET6 est de 17,2 kW et la puissance nominale du modèle C24ET10 est de 25,6 kW lorsqu'ils sont raccordés au réseau 208 V ou 480 V. La puissance nominale du modèle C24ET6 est de 19,7 kW et la puissance nominale du modèle C24ET10 est de 26,4 kW lorsqu'ils sont raccordés au réseau 240 V.

Le modèle C24ET6 peut accueillir trois récipients de table à vapeur de 6,4 cm (2 1/2 po) de profondeur dans chaque compartiment. Les cuiseurs à vapeur et à convection électrique C24ET6 et C24ET10 sont conçus pour cuire les légumes, les œufs et d'autres aliments, dans les cuisines commerciales. Chaque compartiment comporte une minuterie de 0-60 minutes, ainsi qu'une fonctionnalité de vapeur constante. L'avertisseur doit être arrêté manuellement. Le cuiseur à vapeur est équipé d'une armoire de base avec des pieds d'ancrage pour installation sur plancher.

Le manuel concerne tous les modèles et les numéros ML énumérés sur la page de couverture. Les procédures concernent tous les modèles sauf indication contraire.

Cuiseurs à vapeur de série LWE

Les cuiseurs à vapeur à faible consommation d'eau et d'énergie (LWE) répondent aux exigences ENERGY STAR®. Les cuiseurs à vapeur disposent de régulateurs PID électroniques et de contacteurs statiques qui fonctionnent ensemble pour fournir des « impulsions » de puissance aux éléments chauffants



14 Éléments requis (non fournis) :

15 Horaire de détartrage.....

15 Procédure de détartrage.....

15 JOINT D'ÉTANCHÉITÉ DE LA PORTE.....

15 VIDANGE DU GÉNÉRATEUR.....

15 GUIDE DE CUISSON.....

16 ALIMENTS À CUIRE DANS DES RÉCIPIENTS NON PERFORÉS.....

16 ALIMENTS À CUIRE DANS DES RÉCIPIENTS PERFORÉS.....

17 DÉPANNAGE.....

19 RENSEIGNEMENTS SUR L'ENTRETIEN ET LES PIÈCES.....

21



2	IMPORTANT POUR VOTRE SÉCURITÉ.....
2	INSTALLATION, FONCTIONNEMENT ET ENTRETIEN DES CUISEURS À VAPEUR
5	DE SÉRIE C24ET.....
5	VEUILLEZ CONSERVER CE MANUEL EN VUE D'UNE UTILISATION ULTÉRIEURE.....
5	GÉNÉRALITÉS.....
5	Cuiseurs à vapeur de série LWE.....
5	Cuisson à la vapeur.....
5	OPTION DE PRÉVENTION DE TARTRE SONICSAFE.....
5	INSTALLATION.....
6	DÉBALLAGE.....
6	CODES ET NORMES D'INSTALLATION.....
6	EMPLACEMENT.....
6	NIVELLEMENT ET ANCRAGE.....
7	RACCORDEMENT ÉLECTRIQUE.....
7	RACCORDEMENT DE PLOMBERIE.....
7	Besoins en eau.....
7	Traitement de l'eau.....
7	Raccordement à l'alimentation en eau.....
7	Système de filtration.....
8	Raccordement du tuyau d'évacuation.....
8	Exigences d'évacuation.....
9	HOTTE DE VENTILATION.....
9	DÉMARRAGE.....
9	FONCTIONNEMENT.....
10	COMMANDES ET VOYANTS.....
10	Minuterie.....
10	Voyant Prêt (vert).....
10	Voyant de cuisson (rouge).....
10	Interrupteur d'alimentation MARCHÉ/ARRÊT (compartiments supérieur et inférieur).....
10	PRÉCHAUFFAGE.....
10	CUISSON À LA VAPEUR.....
10	ARRÊT QUOTIDIEN.....
11	ARRÊT POUR UNE PÉRIODE PROLONGÉE.....
12	NETTOYAGE.....
12	VIDANGE DU COMPARTIMENT DE CUISSON.....
12	VIDANGE DES GÉNÉRATEURS.....
12	COMPARTIMENTS.....
12	JOINT D'ÉTANCHÉITÉ DE LA PORTE.....
12	LAISSER LES PORTES DU COMPARTIMENT OUVERT.....
13	ENTRETIEN ET NETTOYAGE DE L'ÉQUIPEMENT EN ACIER INOXYDABLE.....
13	Ennemis de l'acier inoxydable.....
13	Alors, que signifie tout cela?
13	Ne désespérez pas!
13	ENTRETIEN DES SURFACES EN ACIER INOXYDABLE.....
14	ENTRETIEN.....
14	SYSTÈME DE TRAITEMENT D'EAU.....
14	RETRAIT DES DÉPÔTS CALCAIRES.....

Matières



EN CAS DE PANNE D'ÉLECTRICITÉ, N'ESSAYEZ PAS DE FAIRE FONCTIONNER CET APPAREIL.

▲ AVERTISSEMENT

UNE INSTALLATION, UN RÉGLAGE, UNE ALTÉRATION, UN SERVICE OU UN ENTRETIEN INAPPROPRIÉ PEUT PROVOQUER DES DOMMAGES, DES BLESSURES VOIRE LA MORT. LISEZ ATTENTIVEMENT LES INSTRUCTIONS RELATIVES À L'INSTALLATION, AU FONCTIONNEMENT ET À L'ENTRETIEN AVANT D'INSTALLER OU D'ENTREtenir CET ÉQUIPEMENT.

CE MANUEL EST DESTINÉ AU PERSONNEL QUALIFIÉ POUR INSTALLER CET ÉQUIPEMENT, QUI DOIT EFFECTUER LE DÉMARRAGE ET LES RÉGLAGES INITIAUX SUR LE TERRAIN DE L'ÉQUIPEMENT DÉCRIT DANS LE PRÉSENT MANUEL.

IMPORTANT POUR VOTRE SÉCURITÉ



MANUEL D'INSTALLATION ET D'UTILISATION

CUISEURS À VAPEUR DE SÉRIE ET

6 RÉCIPIENTS

- ML-152043 C24ET 208/240 V.
- ML-152044 C24ET 480 V.
- ML-152039 C24ET-PS 208/240 V.
- ML-152040 C24ET-PS 480 V.
- ML-152035 C24ET-LWE 208/240 V.
- ML-152036 C24ET-LWE 480 V.
- ML-152069 C24ET-LWE 208/240 V. SONIC
- ML-152070 C24ET-LWE 480 V. SONIC
- ML-152073 C24ET-PRO 208/240 V. SONIC
- ML-152074 C24ET-PRO 480 V. SONIC
- ML-152077 C24ET-BSC 208/240 V. SONIC
- ML-152078 C24ET-BSC 480 V. SONIC

10 RÉCIPIENTS

- ML-152045 C24ET 208/240 V.
- ML-152046 C24ET 480 V.
- ML-152041 C24ET-PS 208/240 V.
- ML-152042 C24ET-PS 480 V.
- ML-152037 C24ET-LWE 208/240 V.
- ML-152038 C24ET-LWE 480 V.
- ML-152071 C24ET-LWE 208/240 V. SONIC
- ML-152072 C24ET-LWE 480 V. SONIC
- ML-152075 C24ET-PRO 208/240 V. SONIC
- ML-152076 C24ET-PRO 480 V. SONIC
- ML-152079 C24ET-BSC 208/240 V. SONIC
- ML-152080 C24ET-BSC 480 V. SONIC



Pour de plus amples renseignements sur Vulcan ou pour localiser un fournisseur agréé de pièces ou de services dans votre région, visitez notre site à l'adresse www.vulcanequipment.com