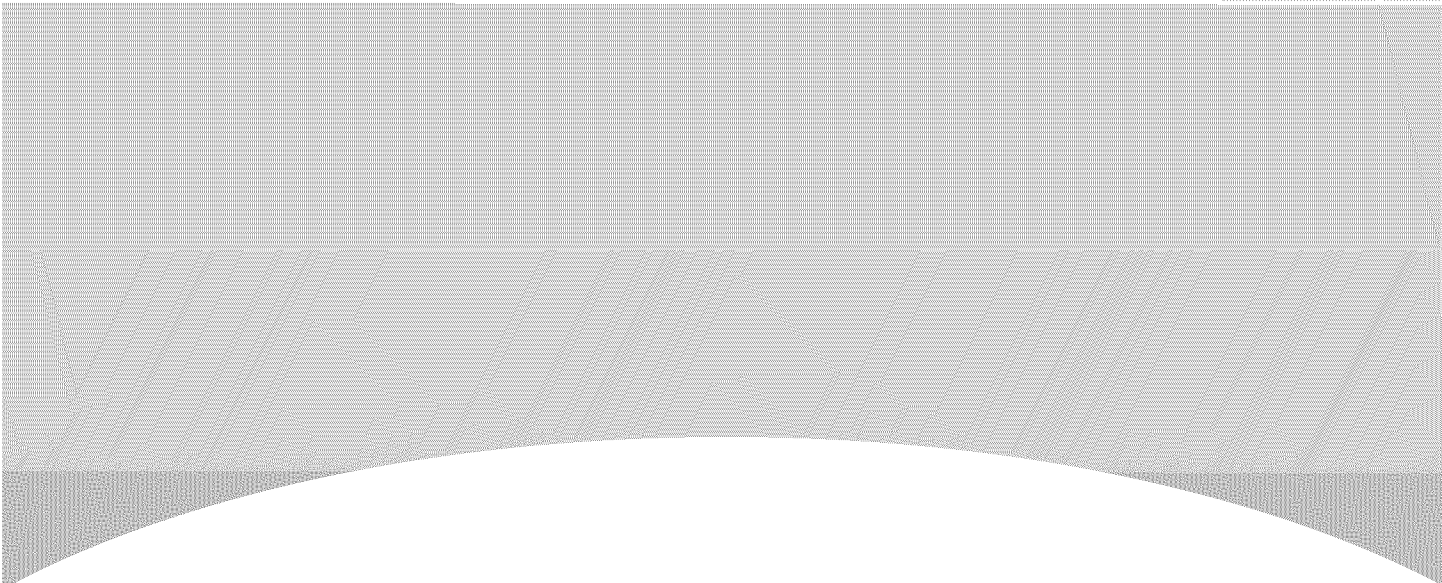


# JENN-AIR® COMPACTOR/COMPACTEUR

Integrated/Intégré



---

## Use & Care Guide

For questions about features, operation/performance, parts, accessories, or service in the U.S.A., call:  
**1-800-JENNAIR (1-800-536-6247)** or visit our website at **www.jennair.com**.  
In Canada, call: **1-800-807-6777**, or visit our website at **www.jennair.ca**.

---

## Guide d'utilisation et d'entretien

Au Canada, pour assistance, installation ou service, composez le **1-800-807-6777** ou visitez notre site Web **www.jennair.ca**.

---

Table of Contents/Table des matières.....2

JENN-AIR®

W10242571C



# TABLE OF CONTENTS

<b>COMPACTOR SAFETY</b> .....	<b>3</b>
<b>INSTALLATION INSTRUCTIONS</b> .....	<b>4</b>
Unpacking .....	4
Location Requirements .....	4
Electrical Requirements .....	5
Undercounter Installation .....	5
<b>COMPACTOR USE</b> .....	<b>7</b>
How Your Compactor Works .....	7
Loading .....	8
Starting Your Compactor .....	8
Using Compress (Locked) Cycle .....	8
Using the Air Filter .....	8
Removing a Filled Bag .....	8
Installing a New Bag .....	9
<b>COMPACTOR CARE</b> .....	<b>9</b>
Changing the Air Filter .....	9
Cleaning .....	9
<b>TROUBLESHOOTING</b> .....	<b>11</b>
<b>ASSISTANCE OR SERVICE</b> .....	<b>12</b>
In the U.S.A. ....	12
In Canada .....	12
Accessories .....	12
<b>WARRANTY</b> .....	<b>13</b>

# TABLE DES MATIÈRES

<b>SÉCURITÉ DU COMPACTEUR</b> .....	<b>16</b>
<b>INSTRUCTIONS D'INSTALLATION</b> .....	<b>17</b>
Déballage .....	17
Exigences d'emplacement .....	17
Spécifications électriques .....	18
Installation sous un comptoir .....	18
<b>UTILISATION DU COMPACTEUR</b> .....	<b>20</b>
Fonctionnement du compacteur .....	20
Chargement .....	21
Mise en marche du compacteur .....	21
Utiliser le programme de compression (verrouillé) .....	21
Utiliser le filtre à air .....	21
Retirer un sac plein .....	22
Installation d'un nouveau sac .....	22
<b>ENTRETIEN DU COMPACTEUR</b> .....	<b>22</b>
Remplacement du filtre à air .....	22
Nettoyage .....	23
<b>DÉPANNAGE</b> .....	<b>25</b>
<b>ASSISTANCE OU SERVICE</b> .....	<b>26</b>
Aux États-Unis .....	26
Au Canada .....	26
Accessoires .....	26
<b>GARANTIE</b> .....	<b>27</b>

**Keep this book and your sales slip together for future reference. You must provide proof of purchase or installation date for in-warranty service.**

Write down the following information about your major appliance to better help you obtain assistance or service if you ever need it. You will need to know your complete model number and serial number. You can find this information on the model and serial number label located on the product.

Dealer name \_\_\_\_\_  
Address \_\_\_\_\_  
Phone number \_\_\_\_\_  
Model number \_\_\_\_\_  
Serial number \_\_\_\_\_  
Purchase date \_\_\_\_\_

**Conservez ce manuel et votre reçu de vente ensemble pour référence ultérieure. Pour le service sous garantie, vous devez présenter un document prouvant la date d'achat ou d'installation.**

Inscrivez les renseignements suivants au sujet de votre gros appareil ménager pour mieux vous aider à obtenir assistance ou service en cas de besoin. Vous devrez connaître le numéro de modèle et le numéro de série au complet. Vous trouverez ces renseignements sur la plaque signalétique située sur le produit.

Nom du marchand \_\_\_\_\_  
Adresse \_\_\_\_\_  
Numéro de téléphone \_\_\_\_\_  
Numéro de modèle \_\_\_\_\_  
Numéro de série \_\_\_\_\_  
Date d'achat \_\_\_\_\_

# COMPACTOR SAFETY

## Your safety and the safety of others are very important.

We have provided many important safety messages in this manual and on your appliance. Always read and obey all safety messages.



This is the safety alert symbol.

This symbol alerts you to potential hazards that can kill or hurt you and others.

All safety messages will follow the safety alert symbol and either the word "DANGER" or "WARNING."

These words mean:

**⚠ DANGER**

You can be killed or seriously injured if you don't immediately follow instructions.

**⚠ WARNING**

You can be killed or seriously injured if you don't follow instructions.

All safety messages will tell you what the potential hazard is, tell you how to reduce the chance of injury, and tell you what can happen if the instructions are not followed.

## IMPORTANT SAFETY INSTRUCTIONS

**WARNING:** When using an electrical appliance, basic precautions should always be followed, including the following:

- Read all instructions before using the compactor.
- Close supervision is necessary when used by or near children. Do not allow to be used as a toy, or to run unattended at any time. Lock Key Switch when not in use and store key out of reach of children.
- Do not touch moving parts.
- Do not operate with a damaged cord set, plug, motor, or after damage in any manner. Have the compactor examined, repaired or adjusted by an authorized serviceperson.
- Use only for intended use as described in this manual. Do not use other than manufacturer's recommended attachments.
- Do not compact toxic or volatile flammable material such as oily rags and insect sprays. Do not compact lighted cigarettes, cigars, or other hot or burning items. Do not overload the compactor.
- Do not take apart the compactor. Incorrect reassembly can cause electric shock when subsequently used.
- Handle a loaded trash bag with care. Sharp objects can pierce the bag and cause injury. Do not overload trash bag with heavy material such as glass.
- This compactor is intended for household use only.

## SAVE THESE INSTRUCTIONS

State of California Proposition 65 Warnings:

**WARNING:** This product contains one or more chemicals known to the State of California to cause cancer.

**WARNING:** This product contains one or more chemicals known to the State of California to cause birth defects or other reproductive harm.

# INSTALLATION INSTRUCTIONS

**Installer:** Leave Use and Care Guide with the homeowner.

**Homeowner:** Keep Use and Care Guide for future reference and for local electrical inspector's use if required.

## Unpacking

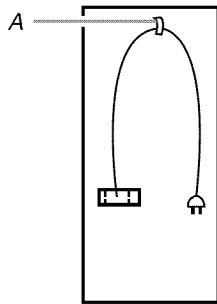
### **! WARNING**

#### **Excessive Weight Hazard**

**Use two or more people to move and install compactor.**  
**Failure to do so can result in back or other injury.**

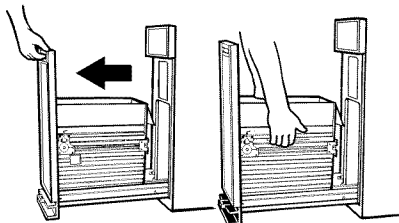
#### **IMPORTANT:**

- You may want to wear gloves when moving compactor.
  - Begin in the room where the compactor will be located.
1. Remove compactor from shipping carton. Follow the instructions on the shipping carton.
  2. Remove all packaging materials such as tape and shipping pads.
  3. Use a mild detergent and warm water to remove waxy residue caused by shipping material.
  4. Dry thoroughly with a soft cloth. For more information, see "Cleaning."
  5. Be sure the power cord is attached to the cord clip on the rear of the compactor.

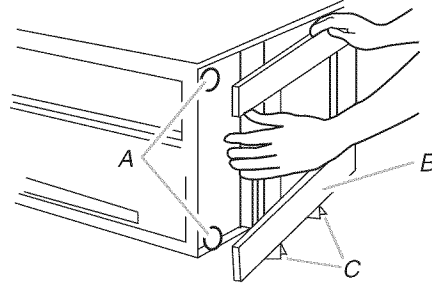


A. Cord clip

6. Place two of the corner posts from the packaging on the floor near the compactor.
7. Press the foot pedal to open the compactor drawer and remove any shipping materials or other items from the drawer.  
**NOTE:** Do not remove the compactor bag.
8. Grasp the front of the drawer and tilt it backwards slightly while pulling forward to clear the drawer stops.
9. Grasp sides of drawer and lift drawer out of compactor.
10. Place the drawer on the 2 corner posts.



11. Place the other 2 corner posts on the floor to the side of the compactor.
12. Grasp the sides of the compactor cabinet and put compactor on its side on top of the corner posts.
13. Remove the shipping base from the bottom of the compactor.

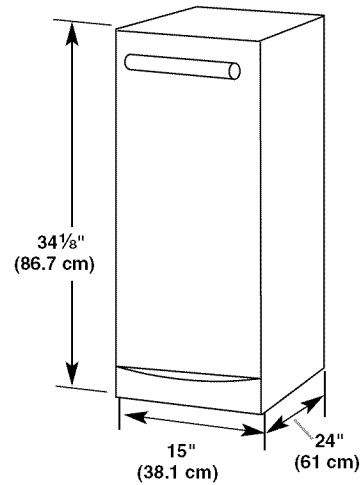


A. Leveling legs B. Shipping base C. Corner posts

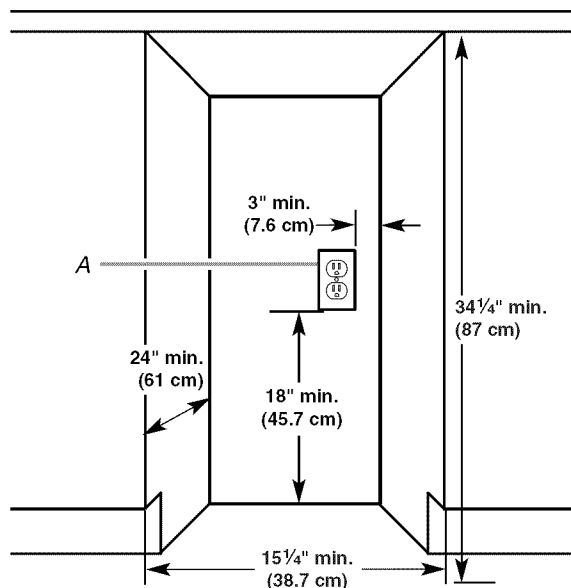
14. Tilt compactor to upright position. Leave the drawer out of the compactor.

## Location Requirements

### Product dimensions

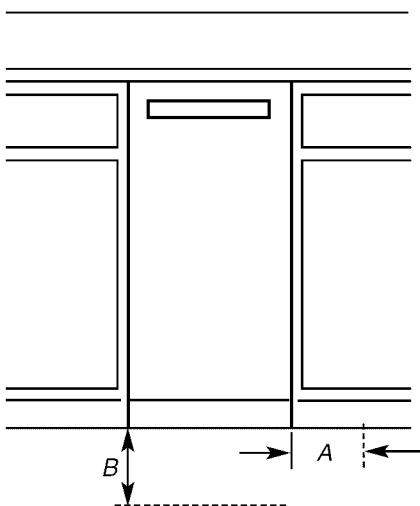


## Cutout dimensions



A. Grounded electrical outlet must be a minimum of 3" (7.6 cm) away from surrounding cabinets or nearby walls as shown. It can be placed either to the left or the right side of the product.

## Clearance dimensions



A. Leave 6" (15.2 cm) of clearance space to the right side of the compactor in order to remove the compactor bags.  
 B. Leave 23" (58.4 cm) of clearance in front of the compactor in order to fully open or remove the compactor drawer.

## Electrical Requirements

### ⚠ WARNING

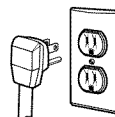


#### Electrical Shock Hazard

- Plug into a grounded 3 prong outlet.
- Do not remove ground prong.
- Do not use an adapter.
- Do not use an extension cord.
- Failure to follow these instructions can result in death, fire, or electrical shock.

### Recommended Grounding Method

This compactor is for use on a single phase, 115-volt, 60 Hz, AC only, 15- or 20-amp fused and properly grounded circuit and is equipped with a grounding plug as shown below. It is recommended that a separate circuit serving only this appliance be provided.



This compactor must be grounded while in use to reduce the risk of electric shock. The compactor is equipped with a three-conductor cord and 3 prong grounding-type plug to fit the proper grounding-type receptacle. The green (or green and yellow) conductor in the cord is the grounding wire. Do not connect the green (or green and yellow) wire to a live terminal. Do not modify the plug attached to the compactor; use with a grounded receptacle.

### Undercounter Installation

**NOTE:** Proper installation is your responsibility. Make sure you have everything necessary for correct installation. It is the personal responsibility and obligation of the customer to contact a qualified installer to assure that electrical installation meets all national and local codes and ordinances.

#### Tools needed:

Gather the required tools and parts before starting installation.

- |                |                              |
|----------------|------------------------------|
| ■ Level        | ■ Phillips No. 2 screwdriver |
| ■ Tape measure | ■ Flat-head screwdriver      |
| ■ Pliers       | ■ 5/16" Box-end wrench       |
| ■ Scissors     | ■ Utility knife              |

#### IMPORTANT:

- To avoid damaging floor covering, slide compactor onto cardboard or hardboard before moving compactor across floor.
- Do not allow the rear frame of the compactor to touch the floor covering when lifting or moving compactor.

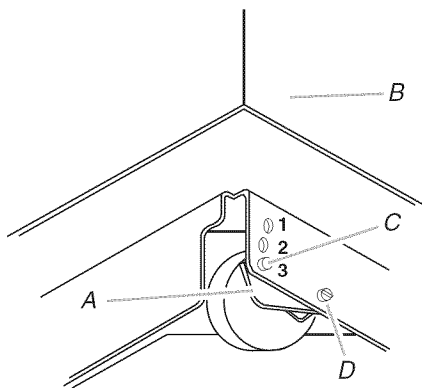
## Undercounter Installation

1. Measure the height of your cabinet opening. The top of the compactor should be at least  $\frac{1}{8}$ " (3 mm) from the top of the cabinet opening.

The rear wheels are preset for a cabinet height of  $34\frac{1}{8}$ " (87 cm). See Position "1" in the following picture.

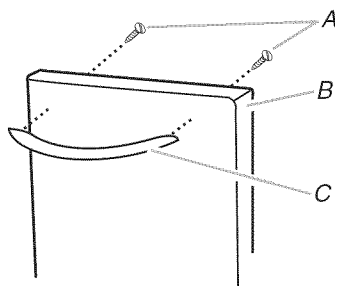
To adjust for other cabinet opening heights:

- Loosen self-tapping screw just enough to clear stud from hole in Position "1."
- Move the rear wheel and stud to Position "2" or "3" as needed for your cabinet opening measurement:  
Position "2":  $34\frac{7}{16}$ " to  $34\frac{11}{16}$ " (87.5 to 88.1 cm)  
Position "3":  $34\frac{13}{16}$ " to 35" (88.4 to 88.9 cm)  
**NOTE:** To level the compactor in position "3," you may need to add shims under the front leveling legs.
- Tighten screw. Repeat for other rear wheel.



A. Wheel bracket assembly  
B. Cabinet  
C. Locating stud  
D. Self-tapping screw (pivot)

2. Use pliers to lower front leveling legs away from cabinet. Adjust legs so there will be a  $\frac{1}{8}$ " (3 mm) to  $\frac{1}{4}$ " (6.4 mm) space between the top of the compactor and the top of the cabinet opening. Stand the compactor upright.
3. Move the compactor close to its final location.
4. To install handle:
  - Insert screws into the holes from the inside of the drawer.
  - Place handle on the front of the drawer and align handle screw holes with screw ends.
5. Tighten screws snugly.

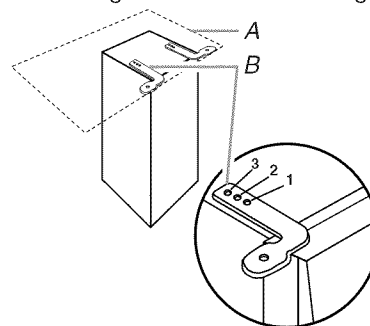


A. 2 screws inserted into holes from inside of drawer  
B. Top of drawer  
C. Handle installed on drawer front

6. Plug into a grounded 3 prong outlet.
7. Determine if you want the compactor cabinet frame or drawer front flush with the kitchen cabinet face.

Using the two #8-18 x  $\frac{1}{2}$ " (13 mm) screws, install the retaining brackets to cabinet top as needed: the screws are supplied for position 2.

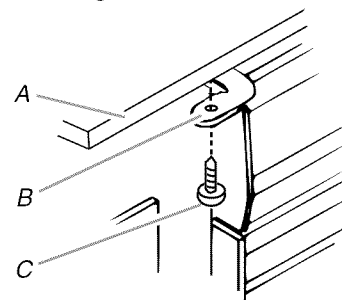
- If the compactor frame is to be flush with the cabinet front, place retaining bracket screws through "1."
- If the compactor drawer front is to be flush with the cabinet front, place retaining bracket screws through "3."
- If the compactor is to be midway between "1" and "3," leave the retaining bracket screws through "2."



A. Countertop  
B. Retaining bracket

8. Slowly lift the front slightly and roll compactor into the cabinet opening.
9. Using the two #8-18 x  $\frac{1}{2}$ " (13 mm) screws (provided), fasten the retaining brackets to the countertop with the mounting screws.

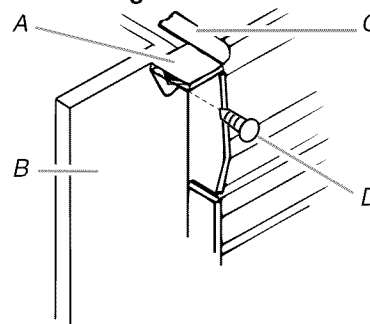
### Countertop Mounting



A. Countertop  
B. Retaining bracket  
C. Mounting screw

**NOTE:** If the retaining brackets cannot be attached to the underside of countertop, attach mounting clips (provided) to brackets. Fasten compactor to kitchen cabinet face with the screws through the mounting clips.

### Cabinet-front Mounting



A. Mounting clip  
B. Cabinet face  
C. Retaining bracket  
D. Screw

10. Grasp sides of compactor drawer and place the wheels of the drawer into the tracks. Lift at the handle so drawer will go over drawer stops. Close drawer. Make sure the drawer

opens and closes freely. If the toe guard rubs against floor, see "Adjusting the Toe Guard" for further instructions.

### Adjusting the Toe Guard

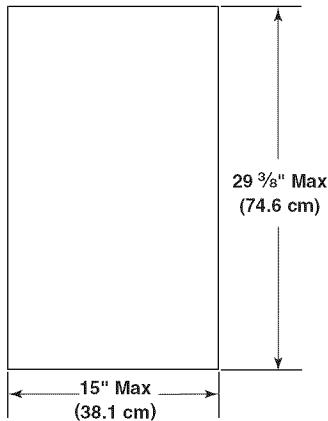
If the toe guard rubs the floor covering, the toe guard clearance may be changed as follows:

1. Mark on each side of the toe guard the amount of toe guard that rubs the floor covering.
2. Remove the drawer from the compactor. (See Steps 7-9 in the "Unpacking" section.)
3. Use a ruler and a pencil or chalk to draw a line between the marks on each side of toe guard.
4. Use scissors or utility knife to cut toe guard along line.
5. Replace drawer. If toe guard still rubs floor covering, repeat steps 1-4.

### Installing a Custom Panel

#### Dimensions

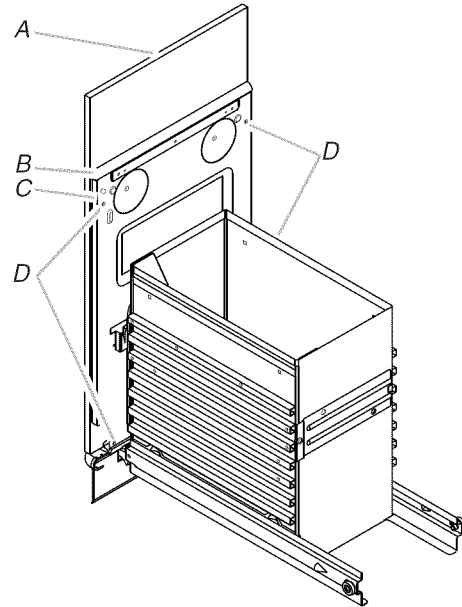
Use these dimension drawings to create a custom panel for use without a trim kit. The panel should be a minimum of 1/2" (1.3 cm) thick.



#### Installation

1. Align the bottom of the custom panel with the bottom of the exterior drawer front and rest the panel on the rest tab.  
**NOTE:** The bottom of the custom panel should not extend below the bottom rest tab which is located at the lower center of the exterior drawer front.
2. Secure the custom panel to the exterior drawer front by using four #8 x 1" wood screws from the inside drawer front at the locations shown in the picture. There are 7 holes available for use.

3. Attach a 15" x 1/2" quarter-round filler along the top inside edge of the drawer front using glue or screws.



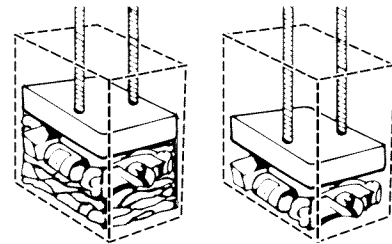
- A. Custom panel
- B. 15" x 1/2" quarter round
- C. Drawer front
- D. Four #8 x 1" wood screws placement:  
7 holes are available for use

## COMPACTOR USE

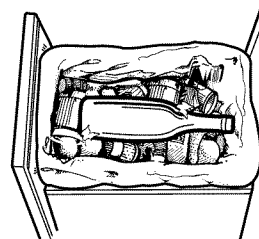
### How Your Compactor Works

The compacting ram is the part of the compactor which compresses the trash. The compacting ram stops 7" (178 mm) from the bottom of the drawer. You will not see compacting of trash until the drawer is more than 1/2 full.

**NOTE:** You may hear a noise when glass breaks. Strong glass bottles may not break. The trash in a full compactor bag will be about 1/4 the size of its original bulk.



Load bulky trash, bottles, and cans in the center of the drawer. Bottles or cans not placed in the center may become caught between the ram and the drawer. The Drawer Monitor Switch will sense a "misload" and causes the ram to return to the "up" position without compacting.



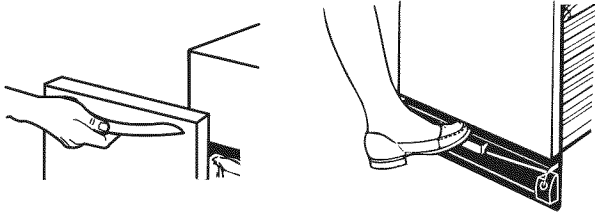
## Loading

**IMPORTANT:** Do not push items down into compactor with hands or feet.

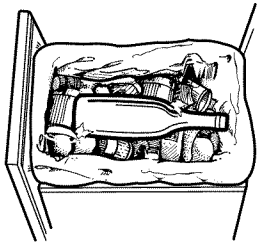
**NOTE:** You will not see compacting of trash the first few times you load the compactor. The compactor drawer should be about ½ full before the compactor can begin compressing the load.

1. Open the drawer. Lift and pull the handle or press the foot pedal to open the drawer.

**NOTE:** Pressing the foot pedal opens the container only 3" to 6" (7.6 cm to 15.2 cm), dependent upon the load.



2. Place trash in compactor.
  - Wrap or cover wet or messy trash.
  - Do not compact items that may develop offensive odors such as raw meat, fish, grapefruit rinds, disposable diapers, or personal hygiene items.
  - Load bottles or cans on their sides in the center of the drawer. Do not load bottles in an upright position.

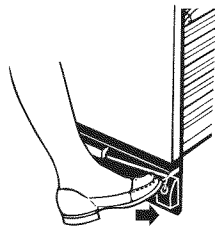


3. Close the drawer.

## Starting Your Compactor

1. Open drawer. Load trash.
2. Turn Key-Knob to ON position.
3. Set Compress Cycle switch to OFF.
4. Close drawer.
5. Press the foot-actuated START button in with your toe to start the compacting cycle.

**NOTE:** When the compacting cycle is completed, open the drawer and turn the Key-Knob to OFF. Remove the Key-Knob and store it out of children's reach.



## Using Compress (Locked) Cycle

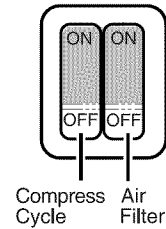
The Compress (Locked) Cycle extends the use of the bag by putting constant pressure on the trash to keep it from springing back. Regular use of a compress cycle can increase bag capacity up to 25 percent.

During Compress Cycle, the ram will stay in the down position for extra compacting. The drawer is locked and cannot be opened when the ram is down.

For best results, use the Compress Cycle for at least 30 minutes at a time.

1. Lift and pull the handle or press the foot pedal to open the compactor drawer.

2. Set compactor Compress Cycle switch to ON.



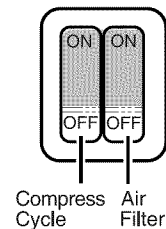
3. Close drawer.
4. Press the foot-actuated START button in with your toe to start the compacting cycle.

**NOTE:** During the compacting cycle, the drawer remains locked until you press the foot-actuated START button to raise the ram.

## Using the Air Filter

1. Set the Air Filter switch to ON. The fan creates air movement in the compactor for odor removal.

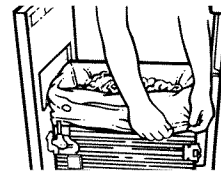
**NOTE:** The Air Filter only works when the Key-Knob is in the ON position.
2. If you hear noise while the compactor is not in use, it might be the fan has been left on.
3. Set the Air Filter switch to OFF to turn off the fan.



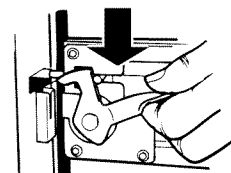
## Removing a Filled Bag

When the trash is compacted to the top of the drawer, remove the bag. If the bag is too heavy, compact less trash before emptying it in the future.

1. Pull the drawer completely open.
2. Remove top of bag from bag retainer buttons. Pull up all four bag cuffs. Close bag with a twist tie.

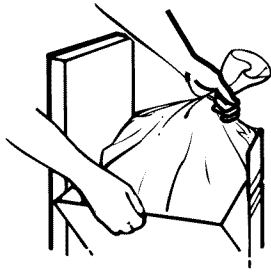


3. Release drawer side latch. Tilt drawer to the right. This releases pressure on the bag making it easier to remove the bag.



4. Lift out bag.

**NOTE:** Fully compacted trash bags can be heavy. Be sure to handle with care.



5. Latch the drawer if it was unlatched.

---

## Installing a New Bag

Do not use any kind of bag other than those designed specifically for use in your compactor. Order replacement compactor bags through your local dealer or by calling the toll-free number on the cover or in the "Assistance or Service" section.

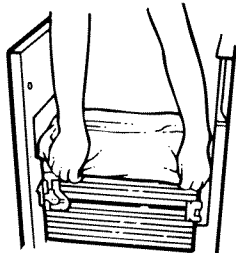
### IMPORTANT:

Before installing a new bag, be sure:

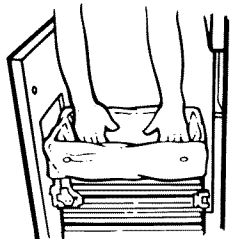
- The drawer latch is securely locked.
- The drawer is clean and free of debris.

**NOTE:** An unlatched drawer can cause the drawer monitor switch to stay open. This will make the ram return and the compactor will continue to run. Attempt to push the drawer inwards to stop the compactor. The continuous running of the compactor can also be attributed to debris in the drawer area. If it is difficult to open or close the drawer this may be due to either the drawer latch not being locked or debris in the drawer area.

1. Place folded bag into the drawer. Open bag and pull top edges over the drawer top.



2. Lock bag in place by pulling the four prepunched holes over the bag retainer buttons. Holes will expand over the buttons without damaging the bag.
3. Press inside of bag against the drawer bottom, sides and corners for a smooth fit.



**NOTE:** The ram can and will tear improperly installed bags.

---

# COMPACTOR CARE

Your new compactor is designed to give you many years of dependable service. However, there are a few things you are expected to do in order to properly maintain your compactor. This section will tell you how to clean and care for your compactor.

Before cleaning the compactor, turn the Key-Knob to the OFF position.

**NOTE:** Any services other than those outlined in this section should be performed by an authorized service technician.

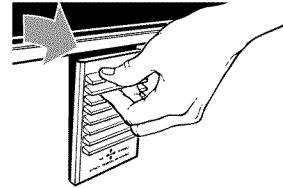
---

## Changing the Air Filter

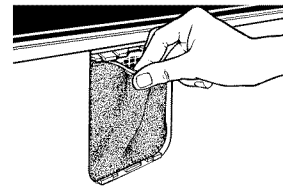
It is recommended that you use the charcoal air filter located under the filter cover.

To order the correct replacement charcoal filters, call the toll-free number listed on the cover or in the "Assistance or Service" section.

1. Insert fingertips in the air filter cover and pull until the side tabs release. Then, lift the cover to release the bottom tabs.



2. Remove the deodorizer puck, if one exists. To order new deodorizer pucks, call the toll free number listed on the cover.
3. Remove the air filter by pulling the top edge of the filter. The filter should pull out easily. Throw away used filter.



4. To replace air filter, push the replacement filter into place.
5. Insert the bottom tabs of the air filter cover and push in until the side tabs snap into place.

---

## Cleaning

Before cleaning the compactor, turn the Key-Knob to the OFF & LOCK position and remove it.

**NOTE:** Any services other than those outlined in this section should be performed by an authorized service technician.

---

### Cleaning Exterior Surfaces

1. Wash exterior surfaces (including stainless steel) with a clean sponge or soft cloth and a mild detergent in warm water. Do not use abrasive or harsh cleaners. Rinse and dry thoroughly with a soft cloth.
2. Wipe up spills immediately. Some foods can damage the finish if left on the compactor surface.

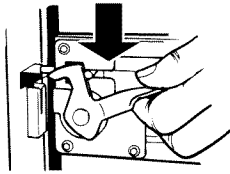
---

### Cleaning Inside the Drawer

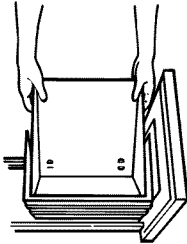
**NOTE:** You may want to wear gloves when cleaning inside the drawer.

1. Pull drawer completely out until it stops.
2. Remove the bag. See "Removing a Filled Bag."

3. Press down on the drawer latch.



4. Hold the drawer latch open and tilt the side of the drawer out until the lock clears the drawer front. Remove the drawer side by lifting it out of the drawer.



5. Wash the interior of the drawer with a clean sponge or soft cloth and a mild detergent in warm water. Rinse and dry thoroughly with a soft cloth.
6. If the drawer side was removed, slide it back into the tilted position.
7. Press the drawer latch down while pushing the drawer side to the upright position.
8. Latch the drawer side.
9. Close the drawer.

---

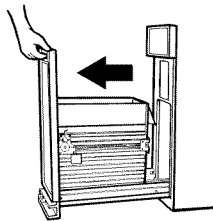
### Cleaning Inside the Cabinet

---

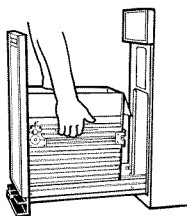
**NOTE:** You may want to wear gloves when cleaning inside in the cabinet.

1. Pull the drawer out until it stops.
 

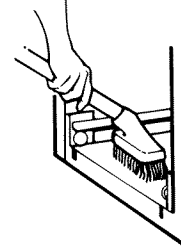
**NOTE:** Look to see how the drawer rollers move in the tracks and disengage them. It will be easier to replace the drawer after you have finished cleaning.



2. Lift the front of the drawer to clear the stops.
3. Grasp the drawer on the sides and pull it out the rest of the way. Set the drawer down gently.



4. Vacuum the inside of the cabinet. Liquid spills or wet trash should be cleaned up by hand, or by using a vacuum designed to pick up liquids.



5. Wash the inside of the cabinet with a clean sponge or soft cloth and a mild detergent in warm water. Rinse and dry thoroughly with a soft cloth.
6. To replace the drawer, grasp it by the sides and insert the rollers onto the tracks.
7. Lift the front of the drawer and push it in fully past the stops.

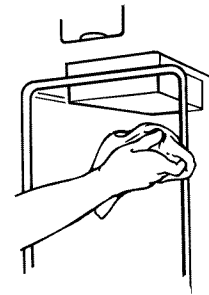
---

### Cleaning the Ram

---

**NOTE:** You may want to wear gloves when cleaning the ram.

1. Wipe glass particles off of the ram cover with a cloth or paper towels. Throw the towel away.
2. Remove foods with a clean sponge or soft cloth and a mild detergent in warm water. Rinse and dry thoroughly with a soft cloth.




---

### Cleaning Before a Vacation

---

If you will be away for more than a couple of days, remove the compactor bag. Remove the Key-Knob and store it out of children's reach.

---

# TROUBLESHOOTING

Try the solutions suggested here first in order to avoid the cost of an unnecessary service call.

---

## Trash is not compacting

---

- **Is the drawer less than half-full?** Drawer must be more than half full before trash is compacted. The ram stops 7" (178 mm) from the bottom of the drawer.

---

## Your compactor won't operate

---

- **Is the power supply cord unplugged?** Plug into a grounded 3 prong outlet.
- **Has a household fuse blown, or has a circuit breaker tripped?** Replace the fuse or reset the circuit breaker. If the problem continues, call an electrician.
- **Is the drawer completely closed? Is the drawer latch locked?** Close the drawer firmly and start the compactor again. Be sure the latch is locked.
- **Is the Key-Knob turned to ON?** Turn the Key-Knob to ON. See "Starting Your Compactor."
- **Did you press the foot-actuated start button?** See "Starting Your Compactor."

---

## The drawer won't open

---

- **Is the Compress Cycle engaged?** Drawer remains LOCKED until you reset by engaging the foot-actuated Start button. Turn the compress Cycle off by pushing the Compress switch to OFF.
- **Is the drawer latch open?** Push on the drawer front in an attempt to raise the ram. Be sure the latch is locked.
- **Is the ram all the way up?** Drawer will open only when ram is fully raised. Engage the foot-actuated Start button. See "Starting your compactor."

---

## There is not enough compaction or force

---

- **Do you use the Compress cycle frequently enough?** Compacting works best when the Compress cycle is used. Keep trash compressed for a minimum of 30 minutes.

---

## Bottles don't break

---

- **Factors that affect bottle breakage:** Bottles will not break every time. The thickness of the bottle's glass and the content of the trash load below it may keep the bottle from breaking.

---

## The compactor keeps running

---

- **Is the latch locked?** Push on the drawer front to attempt to engage the drawer monitor switch. Open drawer and be sure the latch is locked.
- **Did the foot actuated Start switch not engage? Is the lever that pushes the Start switch in bent?** Push on the lever to stop the compactor. If needed, bend the lever back into position.
- **Is there debris in the drawer area?** This will cause the door to disengage from the drawer monitor switch causing the compactor to keep running. This can also prevent the compactor from starting.

---

## The drawer is hitting the cabinet

---

- **Is there 1/8" (3.2mm) clearance on either side?** The cabinet opening should be 15/16" (38.7cm) minimum.
- **Has the compactor been installed more towards one side of the cabinet?** Center the compactor in the cabinet.

---

## The compactor is moving during operation.

---

- **Are the retaining brackets installed to the cabinet?** See "Countertop Mounting" or "Cabinet-front Mounting".

---

## The drawer is wobbly

---

- **Is the latch locked?** An unlatched door will be quite wobbly. By design, the front door will wobble slightly.

---

## The compactor is noisy

---

- **The noise could be normal operation:** The compactor is driven by a steel chain and steel sprockets.
- **Is the fan on?** The fan will make a humming noise when on. Set the Air Filter switch to OFF to turn the fan off.

---

# ASSISTANCE OR SERVICE

---

Before calling for assistance or service, please check “Troubleshooting.” It may save you the cost of a service call. If you still need help, follow the instructions below.

When calling, please know the purchase date and the complete model and serial number of your appliance. This information will help us to better respond to your request.

---

## In the U.S.A.

### If the problem is not due to one of the items listed in the “Troubleshooting” section...

Call the dealer from whom your appliance was purchased, or call Jenn-Air at **1-800-JENNAIR (1-800-536-6247)** to locate an authorized service company. When calling, please know the purchase date and the complete model and serial number of your appliance. Be sure to retain proof of purchase to verify warranty status.

If the dealer or service company cannot resolve your problem, write to:

**Jenn-Air® Appliances  
Customer eXperience Center  
553 Benson Road  
Benton Harbor, MI 49022-2692  
Web address: [www.jennair.com](http://www.jennair.com)**

Or call: **1-800-JENNAIR (1-800-536-6247)**.

U.S. customers using TTY for deaf, hearing impaired or speech impaired, call: **1-800-688-2080** (Monday - Friday, 8:00 a.m. - 8:00 p.m. Eastern Time).

**NOTE:** When writing or calling about a service problem, please include the following information:

1. Your name, address and daytime telephone number.
2. Appliance model number and serial number.
3. Name and address of your dealer or servicer.
4. A clear description of the problem you are having.
5. Proof of purchase (sales receipt).

User's guides, service manuals and parts information are available from Jenn-Air Brand Home Appliances, Customer eXperience Center.

---

## In Canada

### If the problem is not due to one of the items listed in the “Troubleshooting” section...

Call the dealer from whom your appliance was purchased, or call Jenn-Air at **1-800-JENNAIR (1-800-536-6247)** to locate an authorized service company. When calling, please know the purchase date and the complete model and serial number of your appliance. Be sure to retain proof of purchase to verify warranty status.

If the dealer or service company cannot resolve your problem, write to:

**Jenn-Air® Appliances  
Customer eXperience Center  
200-6750 Century Ave.  
Mississauga, ON L5N 3A7  
Web address: [www.jennair.ca](http://www.jennair.ca)**

Or call: **1-800-JENNAIR (1-800-536-6247)**.

**NOTE:** When writing or calling about a service problem, please include the following information:

1. Your name, address and daytime telephone number.
2. Appliance model number and serial number.
3. Name and address of your dealer or servicer.
4. A clear description of the problem you are having.
5. Proof of purchase (sales receipt).

User's guides, service manuals and parts information are available from Jenn-Air Brand Home Appliances, Customer eXperience Centre.

---

## Accessories

To order a color custom panel and handle, contact your local authorized dealer.

In the U.S.A. visit our webpage [www.jennair.com/accessories](http://www.jennair.com/accessories) or call **1-800-JENNAIR (1-800-536-6247)**.

In Canada, visit our webpage [www.whirlpoolparts.ca](http://www.whirlpoolparts.ca) or call: **1-800-807-6777**.

**Replacement Bags** - Call for Part Number.

**Charcoal Air Filter** - Part Number 4151750

**Deoderizer puck** - Part Number W10540355

---

### Color Custom Panel and Handle:

---

#### Panel Kits:

Part Number W10267290 (White panel)

Part Number W10267300 (Black floating glass panel)

#### Handles:

Part Number W10540356 (Stainless Steel handle)

Part Number: W10222161 (White handle)

Part Number: W10222162 (Black handle)

---

# JENN-AIR® MAJOR APPLIANCE WARRANTY

Applies to products purchased prior to April 1, 2015

---

## ONE YEAR LIMITED WARRANTY

For one year from the date of purchase, when this major appliance is installed, operated and maintained according to instructions attached to or furnished with the product, Jenn-Air brand of Whirlpool Corporation or Whirlpool Canada LP (hereafter "Jenn-Air") will pay for factory specified replacement parts and repair labor to correct defects in materials or workmanship that existed when this major appliance was purchased.

YOUR SOLE AND EXCLUSIVE REMEDY UNDER THIS LIMITED WARRANTY SHALL BE PRODUCT REPAIR AS PROVIDED HEREIN. Service must be provided by a Jenn-Air designated service company. This limited warranty is valid only in the United States or Canada and applies only when the major appliance is used in the country in which it was purchased. Outside the 50 United States and Canada, this limited warranty does not apply. This limited warranty is effective from the date of original consumer purchase. Proof of original purchase date is required to obtain service under this limited warranty.

---

## ITEMS EXCLUDED FROM WARRANTY

### This limited warranty does not cover:

1. Service calls to correct the installation of your major appliance, to instruct you on how to use your major appliance, to replace or repair house fuses, or to correct house wiring or plumbing.
2. Service calls to repair or replace appliance light bulbs, air filters or water filters. Consumable parts are excluded from warranty coverage.
3. Replacement parts or repair labor if this major appliance is used for other than normal, single-family household use or when it is used in a manner that is contrary to published user or operator instructions and/or installation instructions.
4. Damage resulting from accident, alteration, misuse, abuse, fire, flood, acts of God, improper installation, installation not in accordance with electrical or plumbing codes, or use of products including but not limited to consumables or cleaning products not approved by Jenn-Air.
5. Cosmetic damage, including scratches, dents, chips or other damage to the finish of your major appliance, unless such damage results from defects in materials or workmanship and is reported to Jenn-Air within 30 days from the date of purchase.
6. Any food loss due to refrigerator or freezer product failures.
7. Costs associated with the removal from your home of your major appliance for repairs. This major appliance is designed to be repaired in the home and only in-home service is covered by this warranty.
8. Repairs to parts or systems resulting from unauthorized modifications made to the appliance.
9. Expenses for travel and transportation for product service if your major appliance is located in a remote area where service by an authorized Jenn-Air servicer is not available.
10. The removal and reinstallation of your major appliance if it is installed in an inaccessible location or is not installed in accordance with published installation instructions.
11. Replacement parts or repair labor for major appliances with original model/serial numbers that have been removed, altered or cannot be easily determined. This warranty is void if the factory applied serial number has been altered or removed from your major appliance.
12. Removal or replacement of trim, decorative panels, flooring, cabinetry, islands, countertops, drywall or other built-in fixtures that interfere with servicing, removal or replacement of the product.

**The cost of repair or replacement under these excluded circumstances shall be borne by the customer.**

---

## DISCLAIMER OF IMPLIED WARRANTIES

IMPLIED WARRANTIES, INCLUDING ANY IMPLIED WARRANTY OF MERCHANTABILITY OR IMPLIED WARRANTY OF FITNESS FOR A PARTICULAR PURPOSE, ARE LIMITED TO ONE YEAR OR THE SHORTEST PERIOD ALLOWED BY LAW. Some states and provinces do not allow limitations on the duration of implied warranties of merchantability or fitness, so this limitation may not apply to you. This warranty gives you specific legal rights, and you also may have other rights that vary from state to state or province to province.

---

## DISCLAIMER OF REPRESENTATIONS OUTSIDE OF WARRANTY

Jenn-Air makes no representations about the quality, durability, or need for service or repair of this major appliance other than the representations contained in this warranty. If you want a longer or more comprehensive warranty than the limited warranty that comes with this major appliance, you should ask Jenn-Air or your retailer about buying an extended warranty.

---

## LIMITATION OF REMEDIES; EXCLUSION OF INCIDENTAL AND CONSEQUENTIAL DAMAGES

YOUR SOLE AND EXCLUSIVE REMEDY UNDER THIS LIMITED WARRANTY SHALL BE PRODUCT REPAIR AS PROVIDED HEREIN. JENN-AIR SHALL NOT BE LIABLE FOR INCIDENTAL OR CONSEQUENTIAL DAMAGES. Some states and provinces do not allow the exclusion or limitation of incidental or consequential damages, so these limitations and exclusions may not apply to you. This warranty gives you specific legal rights, and you also may have other rights that vary from state to state or province to province.

---

If outside the 50 United States and Canada, contact your authorized Jenn-Air dealer to determine if another warranty applies.

If you need service, first see the "Troubleshooting" section of the Use & Care Guide. After checking "Troubleshooting," you may find additional help by checking the "Assistance or Service" section or by calling us at **1-800-JENNAIR (1-800-536-6247)**.

2/13

# JENN-AIR® MAJOR APPLIANCE LIMITED WARRANTY

Applies to products purchased on or after April 1, 2015

ATTACH YOUR RECEIPT HERE. PROOF OF PURCHASE IS REQUIRED TO OBTAIN WARRANTY SERVICE.

Please have the following information available when you call the Customer eXperience Center:

- Name, address and telephone number
- Model number and serial number
- A clear, detailed description of the problem
- Proof of purchase including dealer or retailer name and address

## IF YOU NEED SERVICE:

1. Before contacting us to arrange service, please determine whether your product requires repair. Some questions can be addressed without service. Please take a few minutes to review the Troubleshooting or Problem Solver section of the Use and Care Guide, scan the QR code on the right to access additional resources, or visit <https://jennair.custhelp.com>.
2. All warranty service is provided exclusively by our authorized Jenn-Air Service Providers. In the U.S. and Canada, direct all requests for warranty service to:

**Jenn-Air Customer eXperience Center**  
**1-800-JENNAIR (1-800-536-6247)**



<https://jennair.custhelp.com>

If outside the 50 United States or Canada, contact your authorized Jenn-Air dealer to determine whether another warranty applies.

## TWO YEAR LIMITED WARRANTY

### WHAT IS COVERED

For two years from the date of purchase, when this major appliance is installed, operated and maintained according to instructions attached to or furnished with the product, Jenn-Air brand of Whirlpool Corporation or Whirlpool Canada LP (hereafter "Jenn-Air") will pay for Factory Specified Replacement Parts and repair labor to correct defects in materials or workmanship that existed when this major appliance was purchased, or at its sole discretion replace the product. In the event of product replacement, your appliance will be warranted for the remaining term of the original unit's warranty period.

YOUR SOLE AND EXCLUSIVE REMEDY UNDER THIS LIMITED WARRANTY SHALL BE PRODUCT REPAIR AS PROVIDED HEREIN. Service must be provided by a Jenn-Air designated service company. This limited warranty is valid only in the United States or Canada and applies only when the major appliance is used in the country in which it was purchased. This limited warranty is effective from the date of original consumer purchase. Proof of original purchase date is required to obtain service under this limited warranty.

### WHAT IS NOT COVERED

1. Commercial, non-residential, multiple-family use, or use inconsistent with published user, operator or installation instructions.
2. In-home instruction on how to use your product.
3. Service to correct improper product maintenance or installation, installation not in accordance with electrical or plumbing codes or correction of household electrical or plumbing (i.e. house wiring, fuses or water inlet hoses).
4. Consumable parts (i.e. light bulbs, batteries, air or water filters, preservation solutions, etc.).
5. Defects or damage caused by the use of non-genuine Jenn-Air parts or accessories.
6. Conversion of products from natural gas or L.P. gas.
7. Damage from accident, misuse, abuse, fire, floods, acts of God or use with products not approved by Jenn-Air.
8. Repairs to parts or systems to correct product damage or defects caused by unauthorized service, alteration or modification of the appliance.
9. Cosmetic damage including scratches, dents, chips, and other damage to the appliance finishes unless such damage results from defects in materials and workmanship and is reported to Jenn-Air within 30 days.
10. Discoloration, rust or oxidation of surfaces resulting from caustic or corrosive environments including but not limited to high salt concentrations, high moisture or humidity or exposure to chemicals.
11. Food or medicine loss due to product failure.
12. Pick-up or delivery. This product is intended for in-home repair.
13. Travel or transportation expenses for service in remote locations where an authorized Jenn-Air servicer is not available.
14. Removal or reinstallation of inaccessible appliances or built-in fixtures (i.e. trim, decorative panels, flooring, cabinetry, islands, countertops, drywall, etc.) that interfere with servicing, removal or replacement of the product.
15. Service or parts for appliances with original model/serial numbers removed, altered or not easily determined.

**The cost of repair or replacement under these excluded circumstances shall be borne by the customer.**

### DISCLAIMER OF IMPLIED WARRANTIES

IMPLIED WARRANTIES, INCLUDING ANY IMPLIED WARRANTY OF MERCHANTABILITY OR IMPLIED WARRANTY OF FITNESS FOR A PARTICULAR PURPOSE, ARE LIMITED TO TWO YEARS OR THE SHORTEST PERIOD ALLOWED BY LAW. Some states and provinces do not allow limitations on the duration of implied warranties of merchantability or fitness, so this limitation may not apply to you. This warranty gives you specific legal rights, and you also may have other rights that vary from state to state or province to province.

### DISCLAIMER OF REPRESENTATIONS OUTSIDE OF WARRANTY

Jenn-Air makes no representations about the quality, durability, or need for service or repair of this major appliance other than the representations contained in this warranty. If you want a longer or more comprehensive warranty than the limited warranty that comes with this major appliance, you should ask Jenn-Air or your retailer about buying an extended warranty.

### LIMITATION OF REMEDIES; EXCLUSION OF INCIDENTAL AND CONSEQUENTIAL DAMAGES

YOUR SOLE AND EXCLUSIVE REMEDY UNDER THIS LIMITED WARRANTY SHALL BE PRODUCT REPAIR AS PROVIDED HEREIN. JENN-AIR SHALL NOT BE LIABLE FOR INCIDENTAL OR CONSEQUENTIAL DAMAGES. Some states and provinces do not allow the exclusion or limitation of incidental or consequential damages, so these limitations and exclusions may not apply to you. This warranty gives you specific legal rights, and you also may have other rights that vary from state to state or province to province.

---

## NOTES

# SÉCURITÉ DU COMPACTEUR

## Votre sécurité et celle des autres est très importante.

Nous donnons de nombreux messages de sécurité importants dans ce manuel et sur votre appareil ménager. Assurez-vous de toujours lire tous les messages de sécurité et de vous y conformer.



Voici le symbole d'alerte de sécurité.

Ce symbole d'alerte de sécurité vous signale les dangers potentiels de décès et de blessures graves à vous et à d'autres.

Tous les messages de sécurité suivront le symbole d'alerte de sécurité et le mot "DANGER" ou "AVERTISSEMENT". Ces mots signifient :

**⚠ DANGER**

**Risque possible de décès ou de blessure grave si vous ne suivez pas immédiatement les instructions.**

**⚠ AVERTISSEMENT**

**Risque possible de décès ou de blessure grave si vous ne suivez pas les instructions.**

Tous les messages de sécurité vous diront quel est le danger potentiel et vous disent comment réduire le risque de blessure et ce qui peut se produire en cas de non-respect des instructions.

## IMPORTANTES INSTRUCTIONS DE SÉCURITÉ

**AVERTISSEMENT :** Lors de l'utilisation d'appareils électroménagers, il convient d'observer certaines précautions élémentaires dont les suivantes :

- Lire toutes les instructions avant d'utiliser le compacteur.
- Une surveillance étroite est nécessaire, lorsque l'appareil est employé par ou près d'enfants. Ne pas permettre d'utiliser l'appareil comme un jouet, ou le faire fonctionner sans surveillance. Verrouiller l'interrupteur à clé lorsque l'appareil n'est pas utilisé et garder la clé hors d'atteinte des enfants.
- Ne pas toucher les pièces mobiles.
- Ne pas faire fonctionner le compacteur si le cordon d'alimentation, la fiche de branchement, le moteur sont endommagés ou après tout dommage quelconque. Faire examiner, réparer ou ajuster le compacteur par un technicien autorisé.
- Utiliser uniquement pour l'usage auquel il est destiné, tel que décrit dans ce manuel. Ne pas utiliser des accessoires autres que ceux qui sont recommandés par le fabricant.
- Ne pas utiliser cet appareil pour compacter des produits toxiques ou fluides inflammables tels que chiffons imbibés d'huile et vaporisateurs insecticides. Ne pas soumettre au compacteur les articles comme cigarettes ou cigares allumés, ou autres objets en combustion ou chauds. Ne pas surcharger le compacteur.
- Ne pas démonter le compacteur. Un remontage incorrect peut être à l'origine d'un choc électrique, lors de l'utilisation subséquente.
- Manipuler avec soin un sac rempli de déchets. Des objets pointus peuvent percer le sac et causer des blessures. Ne pas surcharger le sac de déchets avec des matériaux pesants tels que le verre.
- Ce compacteur est destiné à l'usage domestique uniquement.

## CONSERVEZ CES INSTRUCTIONS

Avertissements de la proposition 65 de l'État de Californie :

**AVERTISSEMENT :** Ce produit contient au moins un produit chimique connu par l'État de Californie pour être à l'origine de cancers.

**AVERTISSEMENT :** Ce produit contient au moins un produit chimique connu par l'État de Californie pour être à l'origine de malformations et autres déficiences de naissance.

# INSTRUCTIONS D'INSTALLATION

**Installateur :** Laissez le Guide d'utilisation et d'entretien au propriétaire.

**Propriétaire :** Gardez le Guide d'utilisation et d'entretien pour référence ultérieure et pour l'usage de l'inspecteur local d'électricité, au besoin.

## Déballage

### **AVERTISSEMENT**

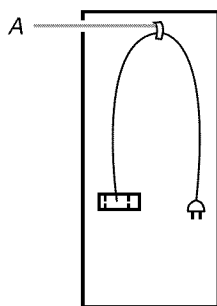
**Risque du poids excessif**

**Utiliser deux ou plus de personnes pour déplacer et installer le compacteur.**

**Le non-respect de cette instruction peut causer une blessure au dos ou d'autre blessure.**

#### IMPORTANT :

- Il peut être nécessaire de porter des gants lors du déplacement du compacteur.
  - Commencer dans la pièce où le compacteur sera installé.
1. Retirer le compacteur de son emballage de carton.
  2. Enlever tous les matériaux d'emballage et de protection comme ruban adhésif et cales.
  3. Avec une solution d'eau tiède et de produit de nettoyage ménager doux, enlever les résidus de cire laissés par les matériaux de protection.
  4. Sécher complètement avec un chiffon doux. Pour de plus amples renseignements, voir la section "Nettoyage".
  5. Vérifier que le cordon d'alimentation électrique est fixé à l'agrafe à l'arrière du compacteur.



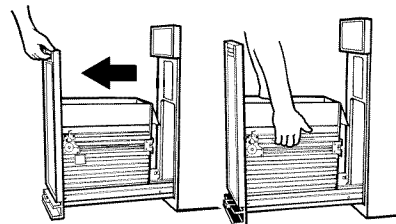
A. Agrafe du cordon d'alimentation

6. Mettre 2 des cornières de protection de l'emballage sur le sol près du compacteur.
7. Ouvrir le tiroir du compacteur et retirer tous les matériaux d'emballage ou autres articles expédiés dans le tiroir.

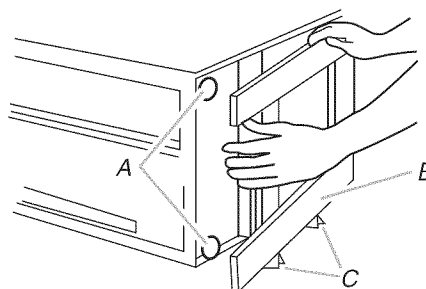
**REMARQUE:** Ne pas retirer le sac du compacteur.

8. Saisir la poignée et soulever l'avant du tiroir pour le faire passer au-dessus des butées.
9. Saisir les côtés du tiroir et soulever le tiroir pour le retirer du compacteur.

10. Placer le tiroir sur les 2 cornières de protection.



11. Placer les 2 autres cornières de protection sur le plancher, près du compacteur.
12. Saisir les côtés de la caisse du compacteur et placer le compacteur sur le côté, sur les cornières de protection.
13. Retirer la base placée au fond du compacteur avant l'expédition.

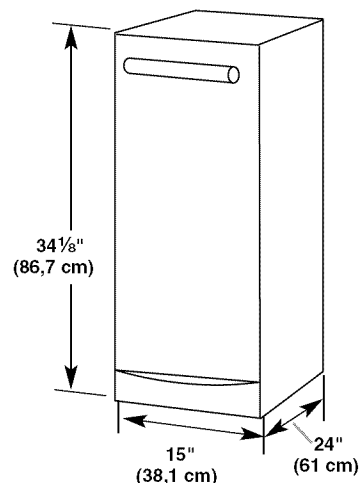


A. Pieds de nivellement  
B. Base d'expédition  
C. Cornières de protection

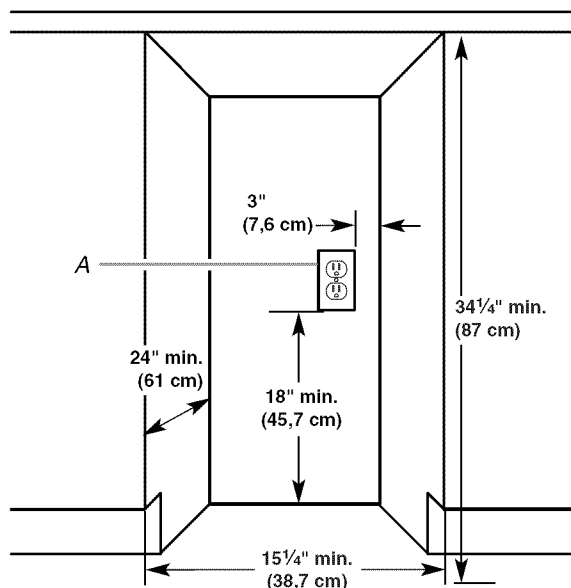
14. Inclinaison vers le compacteur à la position verticale. Laissez le tiroir du compacteur.

## Exigences d'emplacement

### Dimensions du produit

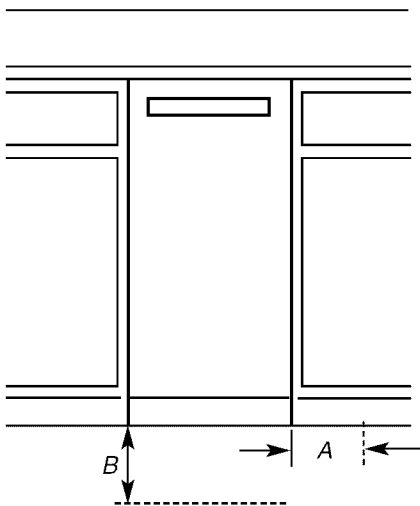


## Dimensions de l'encastrement



A. La prise électrique reliée à la terre doit être à une distance minimum de 3" (7,6 cm) des armoires voisines ou des murs latéraux tel qu'illustré. Elle peut être placée du côté gauche ou du côté droit du produit.

## Dimensions de dégagement



A. Laisser un espace libre de 6" (15,2 cm) du côté droit du compacteur pour extraire les sacs du compacteur.

B. Laisser un espace libre de 23" (58,4 cm) en avant du compacteur pour ouvrir complètement ou retirer le tiroir du compacteur.

## Spécifications électriques

### ⚠ AVERTISSEMENT



#### Risque de choc électrique

Brancher sur une prise à 3 alvéoles reliée à la terre.

Ne pas enlever la broche de liaison à la terre.

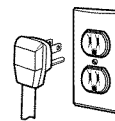
Ne pas utiliser un adaptateur.

Ne pas utiliser un câble de rallonge.

Le non-respect de ces instructions peut causer un décès, un incendie ou un choc électrique.

#### Méthode recommandée de mise à la terre

Le compacteur est alimenté par un circuit de 115 V CA seulement monophasé, 60 Hz, 15 ou 20 A; le circuit doit être protégé par un fusible et convenablement relié à la terre par l'intermédiaire de la fiche de branchement avec broches de liaison à la terre (voir l'illustration ci-dessous). Il est préférable que cet appareil soit alimenté par un circuit distinct.



Le compacteur doit être relié à la terre lorsqu'il est utilisé pour réduire le risque de choc électrique. Le compacteur est équipé d'un cordon à trois conducteurs et d'une fiche à trois broches de liaison à la terre, pour convenir à la prise de courant appropriée reliée à la terre. Le conducteur vert (ou vert et jaune) dans le cordon est le fil de liaison à la terre. Ne pas connecter le fil vert (ou vert et jaune) à une borne active. Ne pas modifier la fiche jointe au compacteur, et utiliser seulement avec une prise reliée à la terre.

### Installation sous un comptoir

**REMARQUE :** C'est à l'utilisateur qu'incombe la responsabilité de réaliser une installation correcte. S'assurer d'avoir tout le nécessaire pour une installation convenable. C'est au client qu'incombent la responsabilité et l'obligation personnelle de contacter un installateur qualifié pour s'assurer que l'installation électrique répond aux codes et règlements nationaux et locaux.

#### Outillage nécessaire :

Rassembler les outils et pièces nécessaires avant de commencer l'installation.

- Niveau
- Ruban à mesurer
- Pince
- Ciseaux
- Tournevis Phillips no 2
- Tournevis à lame plate
- Clé polygonale de 5/16"
- Couteau utilitaire

#### IMPORTANT :

- Glisser le compacteur sur le carton ou le panneau de bois dur avant de déplacer le compacteur sur le plancher, pour empêcher d'endommager le revêtement du plancher.
- Ne pas laisser le châssis arrière du compacteur toucher le revêtement du plancher lors du soulèvement ou du déplacement du compacteur.

## Installation sous un comptoir

- Mesurer la hauteur de l'ouverture de l'armoire. Le sommet du compacteur devrait être à au moins  $1''$  (3 mm) du sommet de l'ouverture de l'armoire.

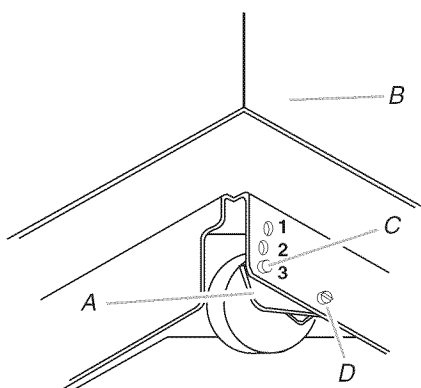
Les roues arrière sont préréglées pour une armoire d'une hauteur de  $34\frac{7}{8}''$  (87 cm). Voir position " 1 " de l'image suivante.

Ajustement pour d'autres hauteurs d'ouverture d'armoire :

- Desserrer la vis, juste assez pour pouvoir extraire le piston du trou de positionnement « 1 ».
- Déplacer la roue arrière et le piston à la position « 2 » ou « 3 » au besoin, pour la mesure d'ouverture de l'armoire :  
Position « 2 » :  $34\frac{13}{16}''$  à  $34\frac{11}{16}''$  (85,7 à 88,1 cm)  
Position « 3 » :  $34\frac{13}{16}''$  à  $35''$  (88,4 à 88,9 cm)

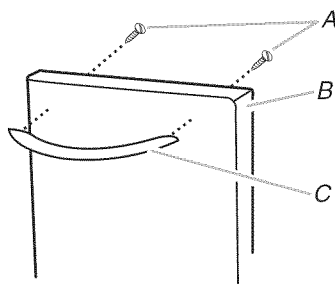
**REMARQUE :** Pour mettre le compacteur de niveau en position « 3 », vous aurez peut-être besoin d'ajouter des cales sous les pieds de nivellement avant.

- Serrer la vis. Répéter ces opérations pour l'autre roue arrière.



A. Bride porte-roue  
B. Armoire  
C. Piston de positionnement  
D. Vis autotaraudante (pivot)

- Utiliser la pince pour abaisser les pieds de nivellement avant hors de la caisse. Ajuster les pieds de sorte qu'il y ait un espace de  $1''$  (3 mm) à  $\frac{1}{4}''$  (6,4 mm) entre le sommet du compacteur et le sommet de l'ouverture de l'armoire. Placer le compacteur à la verticale.
- Déplacer le compacteur près de son emplacement final.
- Installation de la poignée :
  - Insérer les vis dans les trous depuis l'intérieur du tiroir.
  - Placer la poignée sur la façade du tiroir; aligner les trous de la poignée avec les extrémités des vis.
- Bien serrer les vis.



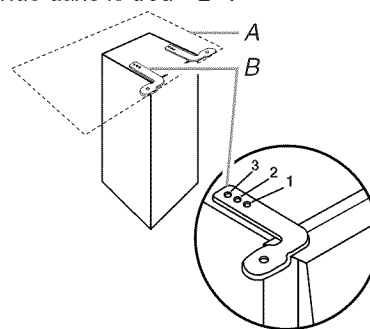
A. 2 vis insérées dans les trous, depuis l'intérieur du tiroir  
B. Dessus du tiroir  
C. Poignée installée sur l'avant du tiroir

- Brancher l'appareil sur une prise 3 alvéoles reliée à la terre.

- Déterminer si vous voulez que le cadre du compacteur ou le devant du tiroir soit en affleurement avec le devant de l'armoire de cuisine.

À l'aide de deux vis #8-18 x  $\frac{1}{2}''$  (13 mm), fixer au besoin les brides de retenue au haut de l'armoire : les vis pour la position 2 sont fournies.

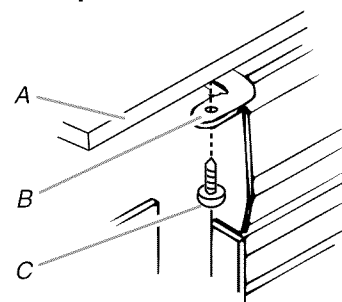
- Si le cadre du compacteur doit être en affleurement avec l'avant de l'armoire, placer les vis de retenue de la bride dans les trous « 1 » des brides.
- Si le devant de la bride du tiroir du compacteur doit être en affleurement avec l'avant de l'armoire, placer les vis de retenue de la bride dans les trous « 3 » des brides.
- Si le compacteur doit être installé à une position intermédiaire entre « 1 » et « 3 », placer les vis de retenue de la bride dans le trou « 2 ».



A. Comptoir  
B. Bride de retenue

- Soulever lentement et légèrement le devant et faire rouler le compacteur dans l'ouverture de l'armoire.
- À l'aide des deux vis no 8 – 18 x  $\frac{1}{2}''$  (13 mm), fixer les brides de retenue en dessous du comptoir avec les vis de montage.

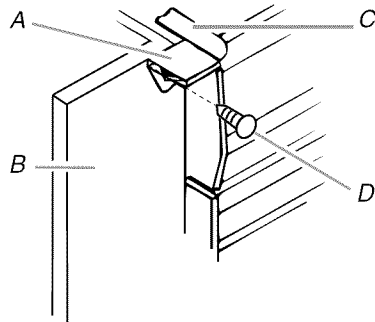
### Installation au comptoir



A. Comptoir  
B. Bride de retenue  
C. Vis de montage

**REMARQUE :** Si les brides de retenue ne peuvent pas être fixées sous le comptoir, fixer les agrafes de montage aux brides. Fixer le compacteur sur le devant de l'armoire de cuisine par les brides de montage à l'aide des vis.

## Installation à l'avant de l'armoire



A. Bride de montage  
B. Façade de l'armoire  
C. Bride de retenue  
D. Vis

10. Saisir les côtés du tiroir du compacteur et placer les roues du tiroir dans les glissières. Soulever le tiroir par la poignée pour faire passer l'avant du tiroir au-dessus des butées. Fermer le tiroir. Vérifier que le tiroir s'ouvre et se referme librement. Si le chasse-pieds frotte contre le plancher, consulter les autres instructions à la section "Réglage du chasse-pieds".

## Réglage du chasse-pieds

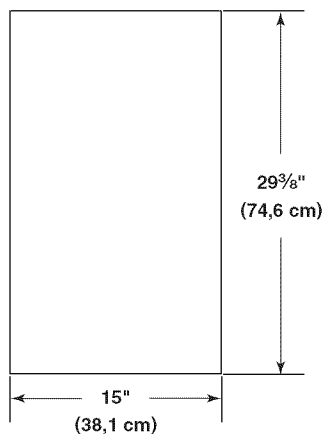
Si le chasse-pieds frotte contre le revêtement de sol, on peut en modifier la hauteur comme suit :

1. Marquer de chaque côté du chasse-pieds la largeur du matériau qui cause le frottement sur le revêtement de sol.
2. Retirer le tiroir du compacteur. (Voir l'étape 7-9 à la section "Déballage du compacteur".)
3. À l'aide d'une règle et d'un crayon ou d'une craie, tracer une ligne entre les marques tracées de chaque côté du chasse-pieds.
4. À l'aide de ciseaux ou d'un couteau tout usage, découper le chasse-pieds le long de la ligne.
5. Réinstaller le tiroir. Si le chasse-pieds frotte toujours sur le revêtement de sol, répéter les étapes 1 à 4.

## Installation d'un panneau personnalisé

### Dimensions

Utiliser ces dessins de dimensions pour créer un panneau personnalisé à utiliser sans trousse de garniture. Le panneau doit avoir une épaisseur minimale de 1/2" (1,3 cm) pour prévenir le gauchissement.

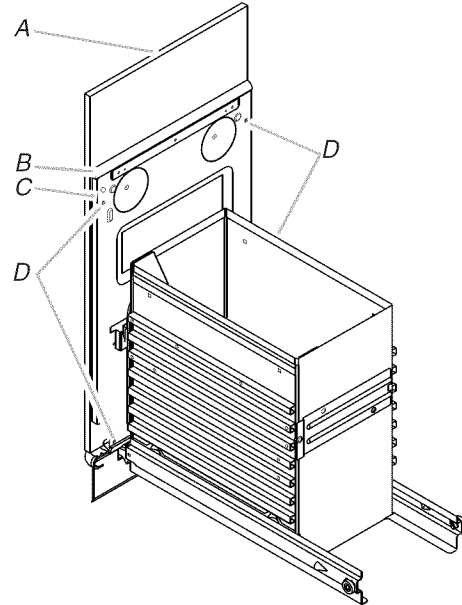


### Installation

1. Aligner le bas du panneau personnalisé au bas avant extérieur du tiroir et appuyer le panneau sur la languette d'appui.

**REMARQUE :** Le bas du panneau personnalisé ne devrait pas aller plus bas que le bas de la languette d'appui qui est située au niveau le plus bas au centre et à l'avant du tiroir extérieur.

2. Fixer le panneau personnalisé à l'avant du tiroir extérieur en utilisant quatre vis à bois #8 x 1". Viser de l'intérieur du tiroir à l'emplacement indiqué sur l'image. Sept trous peuvent être utilisés pour les vis.
3. Fixer un joint d'un quart de rond de 15" x 1/2" le long du sommet du tiroir à l'avant en utilisant de la colle ou des vis.



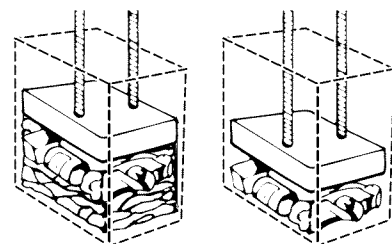
A. Panneau personnalisé  
B. Quart de rond de 15" x 1/2"  
C. Avant du tiroir  
D. Position des quatre vis à bois #8 x 1"  
sept trous pour les vis

## UTILISATION DU COMPACTEUR

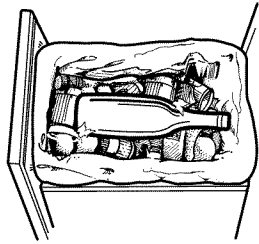
### Fonctionnement du compacteur

La presse du compacteur fait partie du compacteur qui compresse les déchets. La presse du compacteur s'arrête à 7" (178 mm) du bas du tiroir. Vous ne verrez pas les déchets se faire compacter avant que le tiroir ne soit à moitié plein.

**REMARQUE :** Vous pouvez entendre un bruit lorsque le verre se brise. Les bouteilles en verre robuste peuvent ne pas se briser. Les déchets dans un sac de compacteur plein feront environ le quart du volume original.



Charger les déchets volumineux, bouteilles et canettes au centre du tiroir. Les bouteilles ou les canettes qui n'ont pas été mises au centre du tiroir peuvent se coincer entre la presse et le tiroir. Le commutateur du tiroir détectera une "erreur de charge" et relèvera la presse à la position "supérieure" sans qu'il y ait compactage.



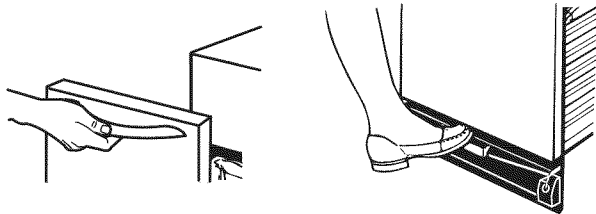
## Chargement

**IMPORTANT :** Ne pas utiliser les mains ou les pieds pour compacter les articles dans le compacteur.

**REMARQUE :** Les premiers déchets chargés ne seront pas comprimés les premières fois que vous chargez le compacteur. Le tiroir du compacteur devrait être environ à moitié rempli avant que le compacteur de déchets puisse commencer à compresser la charge.

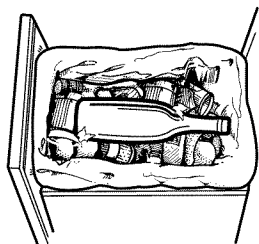
1. Ouvrir le tiroir. Soulever et tirer la poignée ou appuyer sur la pédale pour ouvrir le tiroir.

**REMARQUE :** Appuyer sur la pédale ouvre le contenant de 3 po à 6 po seulement (7,6 cm à 15,2 cm), selon la charge.



2. Mettre les déchets dans le compacteur.

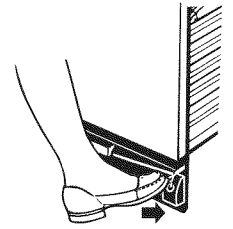
- Envelopper ou recouvrir les déchets humides ou salissants.
- Ne pas mettre dans le compacteur des matières susceptibles de dégager de mauvaises odeurs, telles que viande crue, poisson, pelures de pamplemousse, couches jetables ou articles d'hygiène personnelle.
- Charger les bouteilles ou canettes sur le côté au centre du tiroir. Ne pas placer les bouteilles dans une position verticale.



3. Fermer le tiroir.

## Mise en marche du compacteur

1. Ouvrir le tiroir. Placer les déchets à l'intérieur.
2. Tourner le bouton à clé à la position ON (marche).
3. Régler l'interrupteur de programme de compression à OFF (arrêt).
4. Fermer le tiroir.
5. Appuyer du pied sur la pédale START (mise en marche) pour démarrer le programme de compactage.



**REMARQUE :** Lorsque le programme de compression est terminé, ouvrir le tiroir et tourner le bouton à clé à la position OFF (arrêt). Enlevez le bouton à clé et gardez-le hors de portée des enfants.

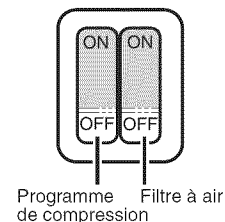
## Utiliser le programme de compression (verrouillé)

Le programme de compression (verrouillé) prolonge la durée d'utilisation du sac en exerçant une pression constante sur les déchets pour les empêcher de se décompresser. L'utilisation régulière d'un programme de compression peut augmenter la capacité d'un sac de 25 pour cent.

Durant le programme de compression, le bras de compression reste en position abaissée pour un compactage supplémentaire. Le tiroir est verrouillé et ne peut être ouvert quand le bras est abaissé.

Pour de meilleurs résultats, utiliser le programme de compression sur des périodes d'au moins 30 minutes.

1. Soulever et tirer la poignée ou appuyer sur la pédale pour ouvrir le tiroir du compacteur.
2. Régler l'interrupteur du programme de compression du compacteur sur ON (marche).



3. Fermer le tiroir.
4. Appuyer sur le bouton START (mise en marche) avec le pied pour démarrer le programme de compactage.

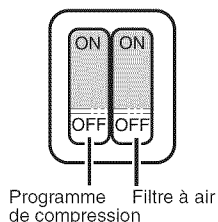
**REMARQUE :** Au cours du programme de compactage, le tiroir reste verrouillé jusqu'à ce que l'on appuie sur le bouton START (mise en marche) avec le pied permettant de monter la presse.

## Utiliser le filtre à air

1. Régler l'interrupteur du filtre à air sur ON (marche). Le ventilateur crée un mouvement d'air dans le compacteur pour éliminer les odeurs.

**REMARQUE :** Le filtre à air fonctionne seulement lorsque le bouton à clé est à la position ON (marche).

2. Du bruit peut provenir du compacteur même s'il n'est pas utilisé si le ventilateur n'a pas été fermé.
3. Régler l'interrupteur du filtre à air sur OFF (arrêt) pour éteindre le ventilateur.

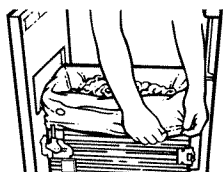


Programme Filtre à air de compression

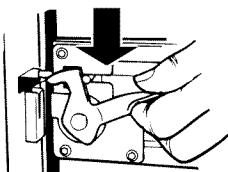
## Retirer un sac plein

Lorsque les déchets sont compactés jusqu'au dessus du tiroir, retirer le sac. Si le sac est trop lourd, compacter moins de déchets avant de vider le sac à l'avenir.

1. Tirer le tiroir pour l'ouvrir complètement.
2. Dégager le haut du sac des boutons de retenue du sac. Relever les quatre revers du sac. Fermer le sac avec une attache torsadée.

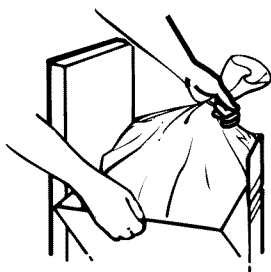


3. Ouvrir le loquet sur le côté du tiroir. Incliner le tiroir sur la droite. Cette opération libère la pression, ce qui rend le sac plus facile à enlever.



4. Retirer le sac en le soulevant.

**REMARQUE :** Un sac de déchets entièrement compacté sera lourd. Le soulever avec douceur.



5. Verrouiller le tiroir s'il était déverrouillé.

## Installation d'un nouveau sac

Ne pas utiliser d'autres sacs que ceux qui sont spécifiquement conçus pour être utilisés dans votre compacteur. Commander des sacs de rechange pour compacteur chez votre marchand local ou en composant le numéro sans frais indiqué sur la couverture ou à la section « Assistance ou service ».

### IMPORTANT :

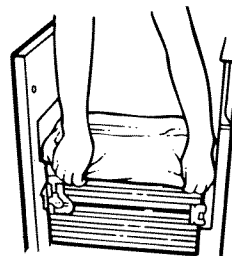
Avant d'installer un nouveau sac, s'assurer que :

- Le loquet du tiroir est bien verrouillé.
- Le tiroir est propre et exempt de débris.

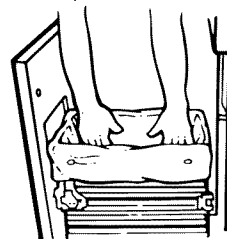
**REMARQUE :** Un tiroir non verrouillé peut faire en sorte que le commutateur du tiroir reste ouvert. La presse reviendra ainsi à sa position et le compacteur continuera de fonctionner. Essayer de pousser le tiroir vers l'intérieur pour arrêter le compacteur. Le compacteur peut aussi continuer à fonctionner si des débris sont présents dans la zone du tiroir. Un tiroir difficile à manœuvrer peut

être causé par un loquet non verrouillé ou par la présence de débris dans la zone du tiroir.

1. Placer le sac plié dans le tiroir. Ouvrir le sac et replier les bords supérieurs du sac sur le bord du tiroir.



2. Immobiliser le sac en engageant les quatre trous pré-percés sur les boutons de retenue du sac. Les trous s'agrandiront sur les boutons sans endommager le sac.
3. Pousser l'intérieur du sac contre le fond, les côtés et les coins du tiroir, pour qu'il s'adapte bien.



**REMARQUE :** La presse déchirera un sac mal installé.

## ENTRETIEN DU COMPACTEUR

Votre nouveau compacteur est conçu pour vous donner de nombreuses années de service. Toutefois, vous avez quelques mesures à prendre pour entretenir correctement votre compacteur. Cette section vous expliquera comment nettoyer et prendre soin de votre compacteur.

Avant de nettoyer le compacteur, mettre le bouton à clé à la position OFF (arrêt).

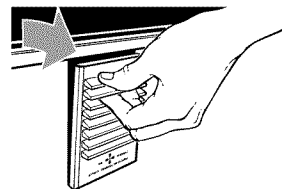
**REMARQUE :** Les entretiens autres que ceux décrits dans cette section doivent être exécutés par un technicien autorisé.

### Remplacement du filtre à air

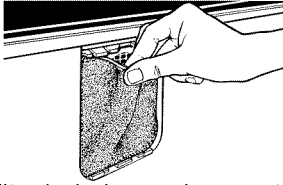
On recommande d'utiliser le filtre à air au charbon situé sous le couvercle du filtre.

Pour commander le bon filtre au charbon de remplacement, composer le numéro sans frais indiqué sur la couverture ou dans la section « Assistance ou service ».

1. Insérer le bout des doigts dans le couvercle du filtre et tirer jusqu'à ce que les languettes sur le côté soient dégagées. Soulever ensuite le couvercle pour libérer les languettes du bas.



2. Retirer le disque désodorisant, s'il y en a un. Pour commander un nouveau disque désodorisant, composer le numéro sans frais indiqué sur la couverture.
3. Retirer le filtre à air en tirant sur la partie supérieure du filtre. Le filtre devrait être facile à enlever. Jeter le filtre usagé.



4. Pour placer le filtre à air de remplacement, insérez-le en place.
5. Insérer les languettes du bas du couvercle de filtre à air jusqu'à ce que les languettes de côté s'enclenchent.

## Nettoyage

Avant de nettoyer le compacteur, tourner le bouton à clé à la position OFF & LOCK (arrêt et verrouillage) et l'enlever.

**REMARQUE :** Les entretiens autres que ceux décrits dans cette section doivent être exécutés par un technicien autorisé.

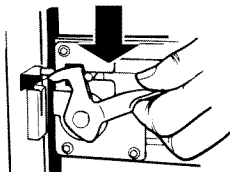
### Nettoyage des surfaces extérieures

1. Laver les surfaces extérieures (y compris l'acier inoxydable) avec une éponge propre ou un linge doux et un détergent doux dans de l'eau tiède. Ne pas utiliser de nettoyants abrasifs ou puissants. Rincer et sécher à fond avec un linge doux.
2. Essuyer les renversements immédiatement. Certains aliments peuvent endommager le fini s'ils sont laissés à la surface du compacteur.

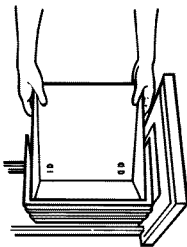
### Nettoyage de l'intérieur du tiroir

**REMARQUE :** Il peut être nécessaire de porter des gants lors du déplacement du compacteur.

1. Tirer entièrement le tiroir vers l'extérieur jusqu'à la butée.
2. Enlever le sac. Voir « Retirer un sac plein ».
3. Appuyer sur le loquet du tiroir.



4. Maintenir le loquet ouvert et incliner le côté du tiroir jusqu'à ce que le loquet dépasse le devant du tiroir. Retirer le côté du tiroir en le soulevant du tiroir.



5. Laver l'intérieur du tiroir avec une éponge propre ou un linge doux et un détergent doux dans de l'eau tiède. Rincer et sécher à fond avec un linge doux.

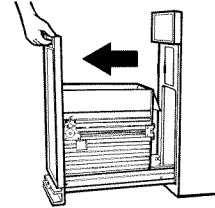
6. Si le côté du tiroir a été enlevé, le remettre en position inclinée.
7. Abaisser le loquet du tiroir tout en soulevant le côté du tiroir à la position verticale.
8. Verrouiller le côté du tiroir.
9. Fermer le tiroir.

### Nettoyage de l'intérieur de l'armoire

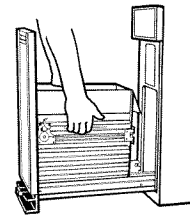
**REMARQUE :** Il est recommandé de porter des gants lors du nettoyage de l'intérieur de l'armoire.

1. Retirer le tiroir vers l'extérieur jusqu'à la butée.

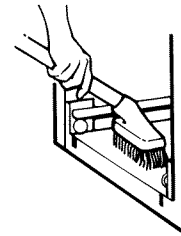
**REMARQUE :** Remarquer comment les roulettes du tiroir se déplacent dans les glissières, les désengager. Il sera plus facile de replacer le tiroir lorsque vous aurez terminé le nettoyage.



2. Soulever le devant du tiroir pour franchir les butées.
3. Saisir les côtés du tiroir et le tirer jusqu'à ce qu'il sorte complètement. Le déposer délicatement.



4. Passer l'aspirateur à l'intérieur de la caisse. Les liquides renversés ou les déchets humides doivent être nettoyés à la main ou au moyen d'un aspirateur conçu pour aspirer les liquides.



5. Laver l'intérieur de l'armoire avec une éponge propre ou un linge doux et un détergent doux dans de l'eau tiède. Rincer et sécher à fond avec un linge doux.
6. Pour replacer le tiroir, le saisir par les côtés et insérer les roulettes sur les glissières.
7. Soulever l'avant du tiroir et le pousser complètement au-delà des butées.

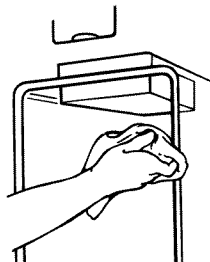
---

## Nettoyage de la presse

---

**REMARQUE :** Il peut être nécessaire de porter des gants lors du déplacement du compacteur.

1. Enlever les particules de verre en essuyant le dessus de la presse avec un linge ou un essuie-tout. Jeter l'essuie-tout.
2. Enlever les aliments avec une éponge propre ou un linge doux et un détergent doux dans de l'eau tiède. Rincer et sécher à fond avec un linge doux.



---

## Nettoyage avant les vacances

---

Si vous vous absentez pendant plus de quelques jours, enlever le sac du compacteur. Enlevez le bouton à clé et gardez-le hors de portée des enfants.

# DÉPANNAGE

Essayer d'abord les solutions suggérées ici afin d'éviter le coût d'une intervention de dépannage inutile.

## Les déchets ne sont pas compactés

- **Le tiroir est-il moins qu'à moitié rempli?** Le tiroir doit être plus qu'à moitié rempli avant que les déchets soient compactés. La presse s'arrête à 7" (178 mm) du bas du tiroir.

## Votre compacteur ne fonctionne pas

- **Le cordon d'alimentation électrique est-il débranché?** Brancher l'appareil sur une prise 3 alvéoles reliée à la terre.
- **Un fusible du domicile est-il grillé ou le disjoncteur s'est-il déclenché?** Remplacer le fusible ou réenclencher le disjoncteur. Si le problème persiste, appeler un électricien.
- **Le tiroir est-il fermé complètement? Le loquet du tiroir est-il verrouillé?** Bien fermer le tiroir et remettre le compacteur en marche. Vérifier que le loquet est verrouillé.
- **Le bouton à clé est-il tourné à ON (marche)?** Tourner le bouton à clé à On (marche). Voir "Mise en marche du compacteur".
- **Le bouton de mise en marche à pédale a-t-il été activé?** Voir "Mise en marche du compacteur".

## Le tiroir ne s'ouvre pas

- **Le programme de compression a-t-il été engagé?** Le tiroir reste VERROUILLÉ jusqu'à ce que l'on procède au réenclenchement en appuyant sur le bouton de mise en marche à pédale. Arrêter le programme de compression en appuyant sur le commutateur pour le mettre à la position OFF (arrêt).
- Le loquet du tiroir est-il ouvert? Pousser sur le devant du tiroir pour essayer de soulever la presse. Vérifier que le loquet est verrouillé.
- **La presse est-elle complètement montée?** Le tiroir s'ouvrira seulement lorsque la presse est complètement montée. Appuyer sur le bouton de mise en marche à pédale. Voir « Mise en marche du compacteur ».

## La compression ou la force n'est pas suffisante

- **Utilisez-vous assez souvent le programme de compression?** Le compactage est plus efficace lors de l'utilisation du programme de compression. Maintenir les déchets compressés pour une période minimum de 30 minutes.

## Les bouteilles ne se brisent pas.

- **Raisons possibles :** Les bouteilles ne se brisent pas chaque fois. L'épaisseur du verre de la bouteille et le contenu de la charge de déchets peuvent empêcher le bris des bouteilles.

## Le compacteur fonctionne toujours

- **Le loquet est-il verrouillé?** Pousser sur l'avant du tiroir pour essayer d'engager le commutateur du tiroir. Ouvrir le tiroir et vérifier que le loquet est verrouillé.
- **Le bouton de mise en marche à pédale s'engage-t-il? Le levier qui appuie sur le bouton de mise en marche est-il courbé?** Appuyer sur le levier pour arrêter le compacteur. Au besoin, replier le levier à sa position.
- **Y a-t-il des débris dans la zone du tiroir?** Des débris peuvent faire se désengager la porte et le commutateur du tiroir, le compacteur continuera donc à fonctionner. Ceci empêchera aussi le compacteur de démarrer.

## Le tiroir bute sur l'armoire.

- **Y a-t-il 1/8" (3,2 mm) d'espace de chaque côté?** L'ouverture de l'armoire devrait être au minimum de 15 1/4" (38,7 cm).
- **Le compacteur a-t-il été installé plus près d'un côté que de l'autre de l'armoire?** Centrer le compacteur dans l'armoire.

## Le compacteur se déplace pendant le fonctionnement.

- Les brides de retenue ont-elles été fixées à l'armoire? Consulter la section « Installation au comptoir » ou "Installation à l'avant de l'armoire".

## Le tiroir est branlant

- **Le loquet est-il verrouillé?** Une porte non verrouillée sera très branlante. Selon la conception, la porte branlera légèrement.

## Le compacteur est bruyant

- **Il peut s'agir du bruit de fonctionnement normal :** Le compacteur est entraîné par une chaîne et des pignons en acier qui font.
- **Le ventilateur fonctionne-t-il?** Le ventilateur produit un bourdonnement lorsqu'il fonctionne. Régler l'interrupteur du filtre à air sur OFF (arrêt) pour éteindre le ventilateur.

# ASSISTANCE OU SERVICE

Avant de faire un appel pour assistance ou service, veuillez vérifier la section "Dépannage". Cette vérification peut vous faire économiser le coût d'une visite de service. Si vous avez encore besoin d'aide, suivez les instructions ci-dessous.

Lors d'un appel, veuillez connaître la date d'achat et les numéros de modèle et de série complets de votre appareil. Ces renseignements nous aideront à mieux répondre à votre demande.

## Aux États-Unis

### Si le problème n'est pas attribuable à l'une des raisons indiquées dans la section "Dépannage"...

Téléphonez au marchand qui vous a vendu l'appareil ou téléphonez à Jenn-Air au **1-800-JENNAIR (1-800-536-6247)** pour localiser une compagnie de service autorisée. Lors d'un appel, veuillez connaître la date d'achat et les numéros de modèle et de série complets de votre appareil. Assurez-vous de conserver la preuve d'achat pour vérifier les conditions de la garantie.

Si le marchand ou la compagnie de service ne peut pas résoudre votre problème, écrivez à :

**Jenn-Air® Appliances**  
**Customer eXperience Center**  
**553 Benson Road**  
**Benton Harbor, MI 49022-2692**  
**Adresse Internet : [www.jennair.com](http://www.jennair.com)**

ou composez le : **1-800-JENNAIR (1-800-536-6247)**.

Si vous êtes des clients aux É.-U. utilisant l'ATS pour les personnes sourdes, malentendantes ou souffrant de troubles de l'élocution, composez le : **1-800-688-2080** (du lundi au vendredi, entre 8 h et 20 h HNE).

**REMARQUE :** Pour toute correspondance ou tout appel au sujet d'un problème de service, veuillez inclure les renseignements suivants :

1. Vos nom, adresse et numéro de téléphone durant la journée.
2. Numéros de modèle et de série de l'appareil.
3. Nom et adresse de votre marchand ou du service d'entretien.
4. Une description claire du problème existant.
5. Preuve d'achat (reçu de vente).

Les guides de l'utilisateur, manuels d'entretien et informations sur les pièces sont disponibles auprès du Centre pour l'eXpérience de la clientèle des appareils électroménagers de la marque Jenn-Air.

## Au Canada

### Si le problème n'est pas attribuable à l'une des raisons indiquées dans la section "Dépannage"...

Téléphonez au marchand qui vous a vendu l'appareil ou téléphonez à Jenn-Air en composant le

**1-800-JENNAIR (1-800-536-6247)** pour localiser une compagnie de service autorisée. Lors d'un appel, veuillez connaître la date d'achat et les numéros de modèle et de série complets de votre appareil. Assurez-vous de conserver la preuve d'achat pour vérifier les conditions de la garantie.

Si le marchand ou la compagnie de service ne peut pas résoudre votre problème, écrivez à :

**Jenn-Air® Appliances**  
**Centre d'eXpérience à la clientèle**  
**1200-6750 Century Ave.**  
**Mississauga, ON L5N 3A7**  
**Adresse Internet : [www.jennair.ca](http://www.jennair.ca)**

ou composez le **1-800-JENNAIR (1-800-536-6247)**.

**REMARQUE :** Pour toute correspondance ou appel au sujet d'un problème de service, veuillez inclure les renseignements suivants :

1. Vos nom, adresse et numéro de téléphone durant la journée.
2. Numéros de modèle et de série de l'appareil.
3. Nom et adresse de votre marchand ou du service d'entretien.
4. Une description claire du problème existant.
5. Preuve d'achat (reçu de vente).

Les guides de l'utilisateur, manuels d'entretien et informations sur les pièces sont disponibles auprès du Centre pour l'eXpérience de la clientèle des appareils électroménagers de la marque Jenn-Air.

## Accessoires

Pour commander un panneau et une poignée de couleur personnalisée, communiquer avec votre marchand autorisé.

Aux É.-U., visiter notre page Web au **[www.jennair.com/accessories](http://www.jennair.com/accessories)** ou composer le **1 800 JENNAIR (1 800 536-6247)**.

Au Canada, visiter notre page Web au **[www.whirlpoolparts.ca](http://www.whirlpoolparts.ca)** ou composer le **1 800 807-6777**

**Sacs de recharge** – Téléphoner pour le numéro de pièce.

**Filtre à air au charbon** – Numéro de pièce 4151750

**Disque désodorisant** – Numéro de pièce W10540355

### Panneau et poignée de couleur personnalisée :

#### Ensemble de panneaux :

Numéro de pièce W10267290 (blanc de panneaux)

Numéro de pièce W10267300 (verre flottant noir de panneaux)

#### Poignées :

Numéro de pièce W10540356 (poignée en acier inoxydable)

Numéro de pièce : W10222161 (poignée blanche)

Numéro de pièce : W10222162 (poignée noire)

# GARANTIE DES GROS APPAREILS MÉNAGERS JENN-AIR®

S'applique aux produits achetés avant le 1er avril 2015

## GARANTIE LIMITÉE DE UN AN

Pendant un an à compter de la date d'achat, lorsque ce gros appareil ménager est installé, utilisé et entretenu conformément aux instructions jointes au produit ou fournies avec, la marque Jenn-Air de Whirlpool Corporation ou Whirlpool Canada LP (ci-après désignées "Jenn-Air") paiera pour les pièces de rechange spécifiées par l'usine et pour la main-d'œuvre pour corriger les vices de matériaux ou de fabrication qui existaient déjà lorsque ce gros appareil ménager a été acheté.

LE SEUL ET EXCLUSIF RECOURS DU CLIENT DANS LE CADRE DE LA PRÉSENTE GARANTIE LIMITÉE CONSISTE EN LA RÉPARATION PRÉVUE CI-DESSUS. L'entretien/le dépannage doit être effectué par une compagnie de dépannage désignée par Jenn-Air. Cette garantie limitée est valide uniquement aux États-Unis ou au Canada et s'applique exclusivement lorsque l'appareil est utilisé dans le pays où il a été acheté. À l'extérieur du Canada et des 50 États des États-Unis, cette garantie limitée ne s'applique pas. Cette garantie limitée est effective à compter de la date d'achat d'origine par le consommateur. Une preuve de la date d'achat original est exigée pour obtenir un service dans le cadre de la présente garantie limitée.

## ARTICLES EXCLUS DE LA GARANTIE

La présente garantie limitée ne couvre pas :

1. Les visites de service pour rectifier l'installation du gros appareil ménager, montrer à l'utilisateur comment utiliser l'appareil, remplacer ou réparer des fusibles ou rectifier le câblage ou la plomberie du domicile.
2. Les visites de service pour réparer ou remplacer les ampoules électriques de l'appareil, les filtres à air ou les filtres à eau. Les pièces consommables ne sont pas couvertes par la garantie.
3. Les réparations lorsque le gros appareil ménager est utilisé à des fins autres que l'usage unifamilial normal ou lorsque les instructions d'installation et/ou les instructions de l'opérateur ou de l'utilisateur fournies ne sont pas respectées.
4. Les dommages imputables à : accident, modification, usage impropre ou abusif, incendie, inondation, actes de Dieu, installation fautive ou installation non conforme aux codes d'électricité ou de plomberie, ou l'utilisation de pièces consommables ou de produits nettoyants non approuvés par Jenn-Air.
5. Les défauts apparents, notamment les éraflures, les bosses, fissures ou tout autre dommage au fini du gros appareil ménager, à moins que ces dommages soient dus à des vices de matériaux ou de fabrication et soient signalés à Jenn-Air dans les 30 jours suivant la date d'achat.
6. Toute perte d'aliments due à une défaillance du réfrigérateur ou du congélateur.
7. Les coûts associés au transport du gros appareil ménager du domicile pour réparation. Ce gros appareil ménager est conçu pour être réparé à domicile et seul le service à domicile est couvert par la présente garantie.
8. Les réparations aux pièces ou systèmes résultant d'une modification non autorisée faite à l'appareil.
9. Les frais de transport pour le service d'un produit si votre gros appareil est situé dans une région éloignée où un service d'entretien Jenn-Air autorisé n'est pas disponible.
10. La dépose et la réinstallation de votre gros appareil si celui-ci est installé dans un endroit inaccessible ou n'est pas installé conformément aux instructions d'installation fournies.
11. Les pièces de rechange ou la main-d'œuvre pour les gros appareils ménagers dont les numéros de modèle/de série ont été enlevés, modifiés ou qui ne peuvent pas être facilement identifiés. La présente garantie est nulle si le numéro de série d'usine a été modifié ou enlevé du gros appareil ménager.
12. Le retrait ou la réinstallation de garnitures, panneaux décoratifs, plancher, meubles, cuisines en îlot, plans de travail, panneaux de gypse ou autres dispositifs préinstallés qui entravent le dépannage, le retrait ou le remplacement du produit.

**Le coût d'une réparation ou d'un remplacement dans le cadre de ces circonstances exclues est à la charge du client.**

## CLAUSE D'EXONÉRATION DE RESPONSABILITÉ AU TITRE DES GARANTIES IMPLICITES

LES GARANTIES IMPLICITES, Y COMPRIS LES GARANTIES APPLICABLES DE QUALITÉ MARCHANDE OU D'APTITUDE À UN USAGE PARTICULIER, SONT LIMITÉES À UN AN OU À LA PLUS COURTE PÉRIODE AUTORISÉE PAR LA LOI. Certains États et provinces ne permettent pas de limitation sur la durée des garanties implicites de qualité marchande ou d'aptitude à un usage particulier, de sorte que la limitation ci-dessus peut ne pas être applicable dans votre cas. Cette garantie vous confère des droits juridiques spécifiques et vous pouvez également jouir d'autres droits qui peuvent varier d'une juridiction à l'autre.

## EXONÉRATION DE RESPONSABILITÉ DANS LES DOMAINES NON COUVERTS PAR LA GARANTIE

Jenn-Air décline toute responsabilité au titre de la qualité, de la durabilité ou en cas de dépannage ou de réparation nécessaire sur ce gros appareil ménager autre que les responsabilités énoncées dans la présente garantie. Si vous souhaitez une garantie plus étendue ou plus complète que la garantie limitée fournie avec ce gros appareil ménager, adressez-vous à Jenn-Air ou à votre détaillant pour obtenir les modalités d'achat d'une garantie étendue.

## LIMITATION DES RECOURS; EXCLUSION DES DOMMAGES FORTUITS OU INDIRECTS

LE SEUL ET EXCLUSIF RECOURS DU CLIENT DANS LE CADRE DE LA PRÉSENTE GARANTIE LIMITÉE CONSISTE EN LA RÉPARATION PRÉVUE PAR LA PRÉSENTE. JENNAIR N'ASSUME AUCUNE RESPONSABILITÉ POUR LES DOMMAGES FORTUITS OU INDIRECTS. Certains États et certaines provinces ne permettent pas l'exclusion ou la limitation des dommages fortuits ou indirects de sorte que ces limitations et exclusions peuvent ne pas être applicables dans votre cas. Cette garantie vous confère des droits juridiques spécifiques et vous pouvez également jouir d'autres droits qui peuvent varier d'une juridiction à l'autre.

Si vous résidez à l'extérieur du Canada et des 50 États des États-Unis, contactez votre marchand Jenn-Air autorisé pour déterminer si une autre garantie s'applique.

Si vous avez besoin de service, voir d'abord la section "Dépannage" du Guide d'utilisation et d'entretien. Après avoir vérifié la section "Dépannage", de l'aide supplémentaire peut être trouvée en vérifiant la section "Assistance ou service" ou en nous appelant au **1-800-JENNAIR (1-800-536-6247)**.

2/13

# GARANTIE LIMITÉE DES GROS APPAREILS MÉNAGERS JENN-AIR®

S'applique aux produits achetés à compter du 1er Avril 2015

ATTACHEZ ICI VOTRE REÇU DE VENTE. UNE PREUVE D'ACHAT EST OBLIGATOIRE POUR OBTENIR L'APPLICATION DE LA GARANTIE.

Lorsque vous appelez le centre d'eXpérience de la clientèle, veuillez garder à disposition les renseignements suivants :

- Nom, adresse et numéro de téléphone
- Numéros de modèle et de série
- Une description claire et détaillée du problème rencontré
- Une preuve d'achat incluant le nom et l'adresse du marchand ou du détaillant

## SI VOUS AVEZ BESOIN DE SERVICE :

1. Avant de nous contacter pour obtenir un dépannage, veuillez déterminer si des réparations sont nécessaires pour votre produit. Certains problèmes peuvent être résolus sans intervention de dépannage. Prenez quelques minutes pour parcourir la section Dépannage ou Résolution de problèmes du guide d'utilisation et d'entretien, numérisez le code 2D ci-contre avec votre téléphone intelligent pour accéder à des ressources supplémentaires, ou rendez-vous sur le site <http://www.jennair.ca>.

2. Tout service sous garantie doit être effectué exclusivement par nos fournisseurs de dépannage autorisés Jenn-Air. Aux É.-U. et au Canada, dirigez toutes vos demandes de service sous garantie au

**Centre d'eXpérience de la clientèle Jenn-Air**  
**1-800-JENNAIR (1-800-536-6247)**



<http://www.jennair.ca>

Si vous résidez à l'extérieur du Canada et des 50 États des États-Unis, contactez votre marchand Jenn-Air autorisé pour déterminer si une autre garantie s'applique.

## GARANTIE LIMITÉE DE DEUX ANS

### CE QUI EST COUVERT

Pendant deux ans à compter de la date d'achat, lorsque ce gros appareil ménager est installé, utilisé et entretenu conformément aux instructions jointes à ou fournies avec le produit, la marque Jenn-Air de Whirlpool Corporation ou Whirlpool Canada, LP (ci-après désignées "Jenn-Air") décidera à sa seule discrétion de remplacer le produit ou de couvrir le coût des pièces spécifiées par l'usine et de la main-d'œuvre nécessaires pour corriger les vices de matériaux ou de fabrication qui existaient déjà lorsque ce gros appareil ménager a été acheté. S'il est remplacé, l'appareil sera couvert pour la période restant à courir de la garantie limitée d'un an du produit d'origine.

LE SEUL ET EXCLUSIF RECOURS DU CLIENT DANS LE CADRE DE LA PRÉSENTE GARANTIE LIMITÉE CONSISTE EN LA RÉPARATION PRÉVUE PAR LA PRÉSENTE. Le service doit être fourni par une compagnie de service désignée par Jenn-Air. Cette garantie limitée est valide uniquement aux États-Unis ou au Canada et s'applique exclusivement lorsque le gros appareil ménager est utilisé dans le pays où il a été acheté. La présente garantie limitée est valable à compter de la date d'achat initial par le consommateur. Une preuve de la date d'achat initial est exigée pour obtenir un dépannage dans le cadre de la présente garantie limitée.

### CE QUI N'EST PAS COUVERT

1. Usage commercial, non résidentiel ou par plusieurs familles, ou non-respect des instructions de l'utilisateur, de l'opérateur ou des instructions d'installation.
2. Visite d'instruction à domicile pour montrer à l'utilisateur comment utiliser l'appareil.
3. Visites de service pour rectifier une installation ou un entretien fautifs du produit, une installation non conforme aux codes d'électricité ou de plomberie, ou la rectification de l'installation électrique ou de la plomberie du domicile (ex : câblage électrique, fusibles ou tuyaux d'arrivée d'eau du domicile).
4. Pièces consommables (ex : ampoules, batteries, filtres à air ou à eau, solutions de conservation, etc.).
5. Défauts ou dommage résultant de l'utilisation de pièces ou accessoires Jenn-Air non authentiques.
6. Conversion de votre produit du gaz naturel ou du gaz de pétrole liquéfié.
7. Dommages causés par : accident, mésusage, abus, incendie, inondations, catastrophe naturelle ou l'utilisation de produits non approuvés par Jenn-Air.
8. Réparations aux pièces ou systèmes dans le but de rectifier un dommage ou des défauts résultant d'une réparation, altération ou modification non autorisée faite à l'appareil.
9. Défauts d'apparence, notamment les éraflures, traces de choc, fissures ou tout autre dommage causés au fini de l'appareil ménager, à moins que ces dommages ne résultent de vices de matériaux ou de fabrication et ne soient signalés à Jenn-Air dans les 30 jours suivant la date d'achat.
10. Décoloration, rouille ou oxydation des surfaces résultant d'environnements caustiques ou corrosifs incluant des concentrations élevées de sel, un haut degré d'humidité ou une exposition à des produits chimiques.
11. Perte d'aliments ou de médicaments due à la défaillance du produit.
12. Enlèvement ou livraison. Ce produit est conçu pour être réparé au domicile.
13. Frais de déplacement et de transport pour le dépannage/la réparation dans une région éloignée où une compagnie de service Jenn-Air autorisée n'est pas disponible.
14. Retrait ou réinstallation d'appareils inaccessibles ou de dispositifs préinstallés (ex : garnitures, panneaux décoratifs, plancher, meubles, îlots de cuisine, plans de travail, panneaux de gypse, etc.) qui entravent le dépannage, le retrait ou le remplacement du produit.
15. Service et pièces pour des appareils dont les numéros de série

**Le coût d'une réparation ou d'un remplacement dans le cadre de ces circonstances exclues est à la charge du client.**

### CLAUSE D'EXONÉRATION DE RESPONSABILITÉ AU TITRE DES GARANTIES IMPLICITES

LES GARANTIES IMPLICITES, Y COMPRIS LES GARANTIES APPLICABLES DE QUALITÉ MARCHANDE OU D'APTITUDE À UN USAGE PARTICULIER, SONT LIMITÉES À DEUX ANS OU À LA PLUS COURTE PÉRIODE AUTORISÉE PAR LA LOI. Certains états et provinces ne permettent pas de limitation sur la durée des garanties implicites de qualité marchande ou d'aptitude à un usage particulier, de sorte que la limitation ci-dessus peut ne pas être applicable dans votre cas. Cette garantie vous confère des droits juridiques spécifiques et vous pouvez également jouir d'autres droits qui peuvent varier d'une juridiction à l'autre.

### EXONÉRATION DE RESPONSABILITÉ DANS LES DOMAINES NON COUVERTS PAR LA GARANTIE

Jenn-Air décline toute responsabilité au titre de la qualité, de la durabilité ou en cas de dépannage ou de réparation nécessaire sur ce gros appareil ménager autre que les responsabilités énoncées dans la présente garantie. Si vous souhaitez une garantie plus étendue ou plus complète que la garantie limitée fournie avec ce gros appareil ménager, adressez-vous à Jenn-Air ou à votre détaillant pour obtenir les modalités d'achat d'une garantie étendue.

### LIMITATION DES RECOURS; EXCLUSION DES DOMMAGES FORTUITS OU INDIRECTS

LE SEUL ET EXCLUSIF RECOURS DU CLIENT DANS LE CADRE DE LA PRÉSENTE GARANTIE LIMITÉE CONSISTE EN LA RÉPARATION PRÉVUE PAR LA PRÉSENTE. JENN-AIR N'ASSUME AUCUNE RESPONSABILITÉ POUR LES DOMMAGES FORTUITS OU INDIRECTS. Certains états et certaines provinces ne permettent pas l'exclusion ou la limitation des dommages fortuits ou indirects de sorte que ces limitations et exclusions peuvent ne pas être applicables dans votre cas. Cette garantie vous confère des droits juridiques spécifiques et vous pouvez également jouir d'autres droits qui peuvent varier d'une juridiction à l'autre.