

point

Refrigerator

POCRI5177DN

User Manual

LIFE MADE EASIER

GB

Thank you for purchasing your new POINT product. These operating instructions will help you use it properly and safely. We recommend that you spend some time reading this instruction manual in order that you fully understand all the operational features it offers. Read all the safety instructions carefully before use and keep this instruction manual for future reference.

NO

Takk for at du kjøpte ditt nye POINT produkt. Denne bruksanvisningen vil hjelpe deg med å bruke den på en trygg og riktig måte. Vi anbefaler at du tar deg tid til å lese gjennom hele bruksanvisningen for å bli fortrolig med alle funksjonene som tilbys. Les alle sikkerhetsanvisningene nøye før bruk, og oppbevar bruksanvisningen for fremtidig referanse.

FI

Kiitos, kun valitsit uuden POINT-tuotteen. Nämä käyttöohjeet opastavat sinua käyttämään laitetta oikein ja turvallisesti. Suosittelemme, että käytät hieman aikaa tämän käyttöoppaan lukemiseen, jotta ymmärrät täysin, mitä toimintoja laitteessa on. Lue kaikki turvallisuusohjeet huolellisesti ennen laitteen käyttöä ja säilytä käyttöopas myöhempää tarvetta varten.

DK

Tak for købet af dit nye produkt POINT. Disse brugervejledninger hjælper dig med at bruge dette apparat rigtigt og sikkert. Vi anbefaler, at du læser denne brugervejledning, så du får en fuld forståelse af hvordan alle funktionerne virker. Læs sikkerhedsforskrifterne grundigt inden brug, og gem denne brugervejledning til senere brug.

SE

Tack för att du har köpt ditt nya produkt POINT. Denna bruksanvisning hjälper dig att använda den på ett säkert och korrekt sätt. Vi rekommenderar att du tar dig tid att läsa igenom denna bruksanvisning för att till fullo förstå alla driftfunktioner som den erbjuder. Läs noga igenom alla säkerhetsinstruktioner före användning och spara bruksanvisningen för framtida bruk.





Instruction manual - English	page	4 - 25
Bruksanvisning - Norsk.....	side	26 - 47
Käyttöopas - Suomi	sivu	48 - 69
Brugervejledning - Dansk.....	side	70 - 91
Bruksanvisning - Svenska.....	sida	92 - 113



Before switching on the appliance for the first time, read the following safety hints!

- > This appliance is intended to be used in household and similar applications such as staff kitchen areas in shops, offices and other working environments; farm houses and by clients in hotels, motels and other residential type environments; bed and breakfast type environments; catering and similar non-retail applications.
- > This appliance is not intended for use by persons (including children) with reduced physical, sensory or mental capabilities, or lack of experience and knowledge, unless they have been given supervision or instruction concerning use of the appliance by a person responsible for their safety.

Explanation of terms/symbols

	DANGER This symbol indicates that there are dangers to the life and health of persons due to extremely flammable gas.
	WARNING The signal word indicates a hazard with a medium level of risk which, if not avoided, may result in death or serious injury.
	CAUTION The signal word indicates a hazard with a low degree of risk which, if not avoided, may result in minor or moderate injury.
	ATTENTION The signal word indicates important information (e.g. damage to property), but not danger.

IMPORTANT: Pay particular attention to messages that contain the words **DANGER**, **WARNING** or **CAUTION**. These words are used to alert you to a potential hazard that can seriously injure you and others. The instructions will tell you how to reduce the chance of injury and let you know what can happen if the instructions are not followed.

ATTENTION: These operating instructions are general. This means that certain functions apply to your refrigerator, while others do not.

We are constantly working on the further development and improvement of our appliance types and models. Therefore, we reserve the right to make changes to the design, equipment and accessories of all types and models without prior notice.

IMPORTANT SAFETY INSTRUCTIONS

READ AND SAVE THESE INSTRUCTIONS!



WARNING: Risk of fire / flammable material

The refrigerant and the cyclopentane blowing agent used in this appliance are flammable. When the appliance is disposed of, keep it away from any sources of ignition and do not burn it. Instead, have it collected by a qualified recycling company so that the refrigerant can be recovered safely and environmental damage is avoided.



WARNING

General Safety

- > Children should be supervised to ensure that they do not play with the appliance.
- > If the supply cord is damaged, it must be replaced by the manufacturer, its service agent or similarly qualified persons in order to avoid a hazard.
- > Do not store explosive substances such as aerosol cans with a flammable propellant in this appliance.
- > The appliance has to be unplugged before carrying out user maintenance on the appliance.
- > **WARNING:** Keep ventilation openings, in the appliance enclosure or in the built-in structure, clear of obstruction.
- > **WARNING:** Do not use mechanical devices or other means to accelerate the defrosting process, other than those recommended by the manufacturer.
- > **WARNING:** Do not damage the refrigerant circuit.
- > **WARNING:** Do not use electrical appliances inside the food storage compartments of the appliance, unless they are of the type recommended by the manufacturer.
- > **WARNING:** Dispose of the refrigerator according to local regulators because it contains flammable blowing gas and refrigerant.
- > **WARNING:** When positioning the appliance, ensure the supply cord is not trapped or damaged.
- > **WARNING:** Do not place multiple portable socket-outlets or portable power supplies at the rear of the appliance.
- > Do not use extension cords or ungrounded (two prong) adapters.
- > To avoid a hazard due to instability of the appliance, it must be fixed in accordance with the instructions.
- > The refrigerator must be disconnected from the source of electrical supply before attempting the installation of accessories. Ensure that the power cable is not trapped by the refrigerator. Do not step on the power cable.



CAUTION

Daily use

- > Do not pull the power cord when pulling the power plug of the refrigerator. Firmly grasp the plug and pull out it from the socket directly.
- > To ensure safe use, do not damage the power cord or use the power cord when it is damaged or worn.
- > Use a dedicated power socket that is not to be shared with other electrical appliances.
- > The power plug should be in firm contact with the socket or else it might cause a fire.
- > Ensure that the grounding electrode of the power socket is equipped with a reliable grounding line.
- > If you smell gas or other flammable gases, turn off the gas supply valve immediately, and open doors and windows to ventilate the area.
- > In the event of a gas leak, do not unplug the refrigerator or operate any electrical switches; the spark could ignite the gas and cause a fire.
- > Do not use electrical appliances on the top of the appliance, unless they are of the type recommended by the manufacturer.
- > The gaps between refrigerator doors and refrigerator body are small. Do not put your hand in these areas to prevent your finger from being squeezed. Be gentle when closing the refrigerator door to prevent items from falling.
- > Do not pick foods or containers with wet hands in the freezing chamber when the refrigerator is running, especially metal containers in order to avoid frostbite.
- > Do not let children climb into or onto the refrigerator; they could suffocate or fall and be seriously injured.
- > Do not place heavy objects on the top of the refrigerator considering that items may fall when closing or opening the door, and it might result in accidental injuries.
- > Do not put flammable, explosive, volatile and highly corrosive items in the refrigerator to prevent damages to the refrigerator or fire accidents.

- > Do not place flammable items near the refrigerator to avoid fires.
- > The refrigerator is intended for household use, such as storage of foods, it shall not be used for other purposes, such as storage of blood, drugs or biological products, etc.
- > Do not store beer, soft drinks or other liquids in bottles or sealed containers in the freezer compartment. When the liquid freezes it can expand and cause the bottle or container to crack or burst, which may damage the appliance.



WARNING

For EU standard:

This appliance can be used by children aged 8 years and older and persons with reduced physical, sensory or mental capabilities or lack of experience and knowledge if they are supervised or instructed on the safe use of the appliance in a safe way and understand the hazards involved. Children shall not play with the appliance. Cleaning and user maintenance shall not be carried out by children without supervision.

To avoid contamination of food, please respect the following instructions:

- Opening the door for long periods can cause a significant increase of the temperature in the compartments of the appliance.
- Clean regularly surfaces that can come in contact with food and accessible drainage systems.
- Clean water tanks if they have not been used for 48h; flush the water system connected to a water supply if water has not been drawn for 5 days. **(Note 1)(*)**
- Store raw meat and fish in suitable containers in the refrigerator, so that it is not in contact with or drip onto other food.
- Two-star frozen-food compartments are suitable for storing pre-frozen food, storing or making ice-cream and making ice cubes. **(Note 2)(*)**
- 1 star, 2 star and 3 star compartments are not suitable for the freezing of fresh food. **(note 3)(*)**
- For appliances without a 4-star compartment: this refrigerating appliance is not suitable for freezing foodstuffs. **(note 4)(*)**
- If the refrigerating appliance is left empty for long periods, switch off, defrost, clean, dry, and leave the door open to prevent mould developing within the appliance.

Note 1,2,3,4: Please confirm whether it is applicable according to your product compartment type.

(*) : This feature varies depending on the model purchased.



"4 star" symbol: Freezer compartment at -18 °C or colder, and it has the ability of quick freezing a certain amount of food.



"3 star" symbol: Freezer compartment at -18 °C or colder.



"2 star" symbol: Freezer compartment at -12 °C or colder.



"1 star" symbol: Freezer compartment with a target temperature and storage conditions of -6 °C.



CAUTION

This product is not recommended for use with sockets or main switch with the AFCI/GFCI function, otherwise it may cause false tripping.

1. It doesn't pose a safety risk when tripped.
2. If tripping persists, it is recommended to replace the socket or main switch by socket or main switch without AFCI/GFCI function.



WARNING

Risk of child entrapment. Before you throw away your old refrigerator:

- > Take off the doors.
- > Leave the shelves in place so that children may not easily climb inside.

ENVIRONMENTAL PROTECTION

Disposing of old electrical devices in an environmentally-friendly manner



This crossed-out wheeled bin symbol indicates that waste electrical and electronic products (WEEE) should be disposed of separately from the municipal waste stream.

Old electrical products can contain hazardous substances, so correct disposal of your old appliance will help prevent potential negative consequences for the environment and human health. Your old appliance may contain reusable parts that could be used to repair other products, and other valuable materials that can be recycled to conserve limited resources.

CAUTION

The refrigerant and the cyclopentane blowing agent used in this appliance are flammable.

When the appliance is disposed of, keep it away from any sources of ignition and do not burn it. Instead, have it collected by a qualified recycling company so that the refrigerant can be recovered safely and environmental damage is avoided.

Package information



Packaging materials of the product are manufactured from recyclable materials in accordance with our National Environment Regulations. Do not dispose of the packaging materials together with the domestic or other wastes. Take them to the packaging material collection points designated by the local authorities.

INSTALLATION INSTRUCTIONS

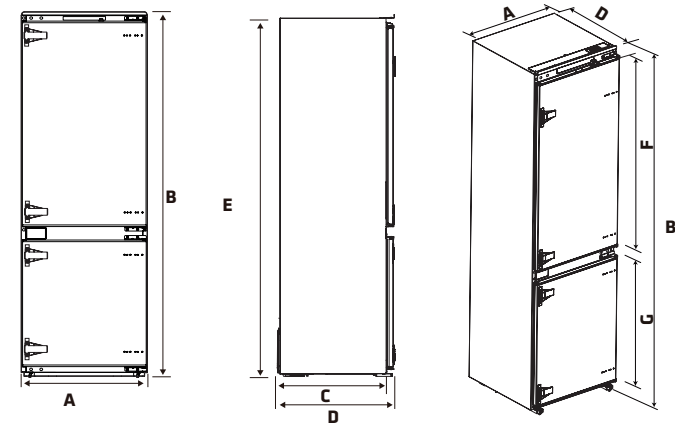
Before first use

Remove the exterior and interior packing, wipe the outside thoroughly with a soft dry cloth and the inside with a wet, lukewarm cloth.

Before connecting your refrigerator to the power supply, check that the voltage stated on the rating label of your appliance corresponds to the voltage in your home. A different voltage could damage the appliance.

The appliance must be grounded. The manufacturer is not responsible for damages that may occur as a result of usage without grounding.

Space requirement diagram



A	B	C	D	E	F	G
540	1785	515	550	1770	992	620.5

Notice: All dimensions in mm

Ambient Temperature

Depending on the climate class, this refrigerator is intended to be used at an ambient temperature range as specified in the following table.

The product may not operate properly at temperatures outside of the specific range.

You can find the climate class on the product label.

Climate Class	Ambient Temperature
SN	+10 °C to +32 °C
N	+16 °C to +32 °C
ST	+16 °C to +38 °C
T	+16 °C to +43 °C

If you have any doubts regarding installation, please turn to the vendor, to our customer service or to the nearest Authorised Service Centre.

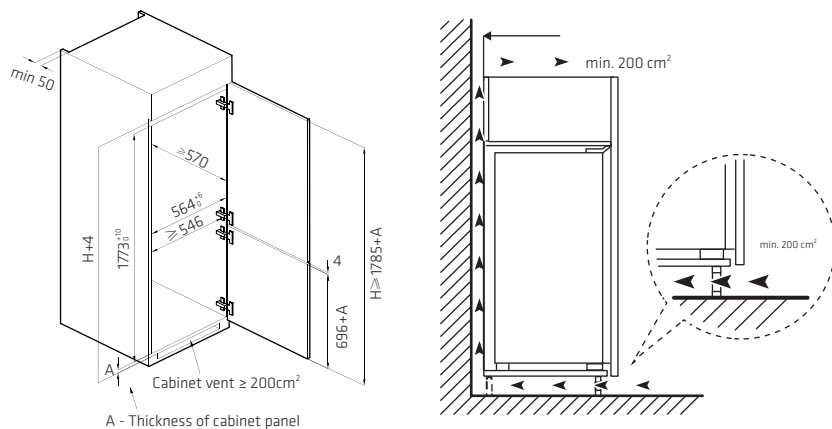
ATTENTION

The cooling performance and power consumption of the refrigerator may be affected by the ambient temperature, the door-opening frequency, and the location of the refrigerator. We recommend adjusting the temperature settings as appropriate.

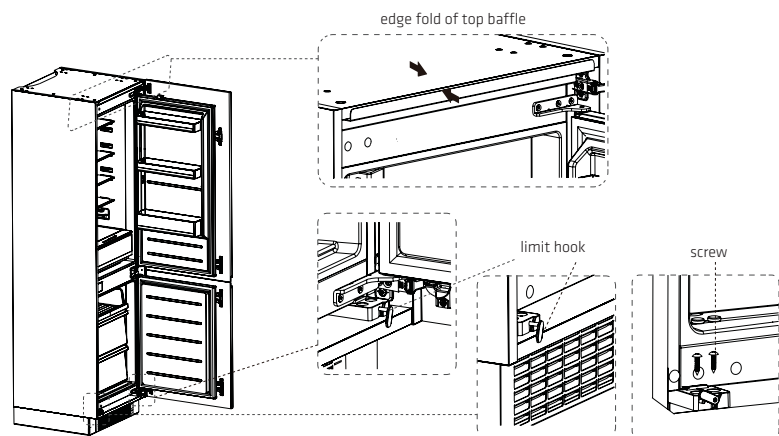
Installation in cabinet

Steps:

1. Cabinet size requirement. (Notice: All dimensions in mm.)

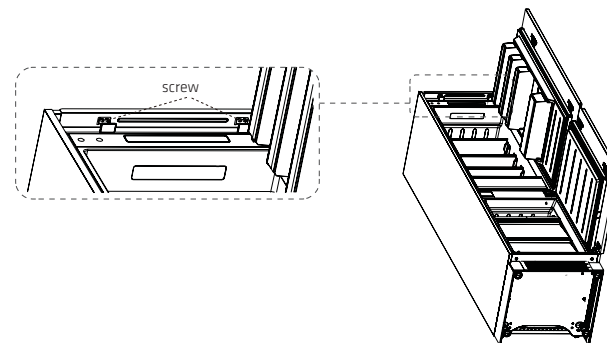


2. Push the refrigerator into the cabinet and adjust it to make sure the edge fold of top baffle completely touches the top edge of the cabinet.
3. The limit hook of the supporting leg completely touches the bottom edge of the cabinet.

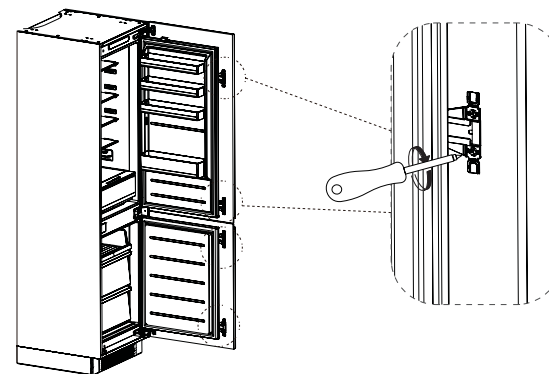


4. Fix the supporting leg with screws, then install the screw caps.

5. Fix the top baffle to the top of the cabinet inner with screws, then install the screw caps.



6. Open the lower cabinet door to its maximum angle, and open the lower refrigerator door to the matching position. Slide the mounting block until its inner edge aligns with the edge of the refrigerator door, then fix the block to the cabinet door with screws and fit the screw caps.
7. Fix the upper refrigerator door to the cabinet door in the same way.



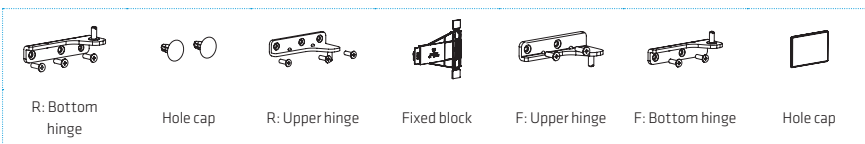
8. Take out the sealing strip from accessory bag, and press it in the gap between the cabinet and the refrigerator. Installation is completed.

ATTENTION

Precautions before installation: Information in the Instruction Manual is only for reference. The physical product may differ. Before installation and adjusting of accessories, ensure that the refrigerator is disconnected from power.

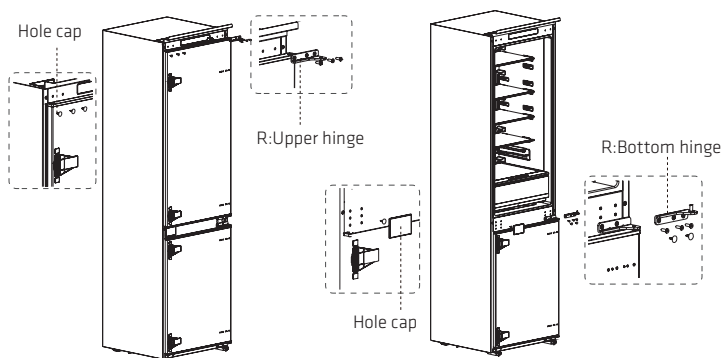
Door reversal

Parts already mounted on the refrigerator (as shipped):

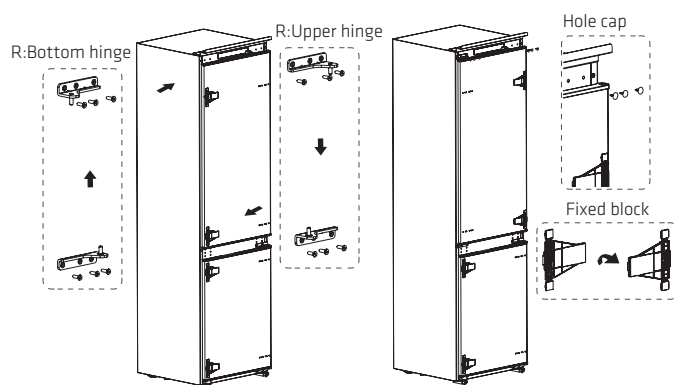


Steps:

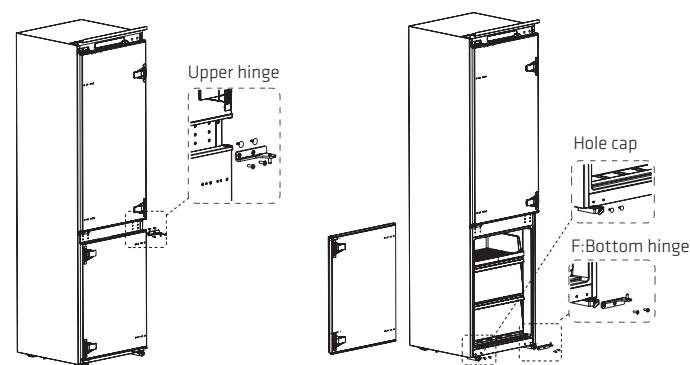
1. Power off the refrigerator, and remove all objects from the door trays.
2. Remove the upper hinge and hole caps of refrigerator door.
3. Remove the refrigerator door, the bottom hinge and the hole cover.



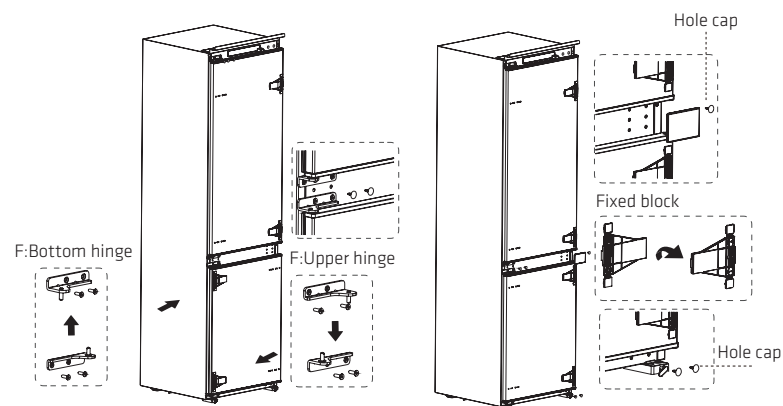
4. Exchange the R:bottom hinge and R:upper hinge, then install them according to below steps, and install the top hole caps.
5. Remove the two fixed blocks of refrigerator door and rotate them for 180° and install them on other side of refrigerator door.



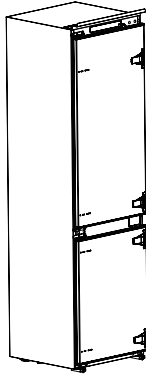
6. Remove the the upper hinge of freezer door and plug pin.
7. Remove the freezer door, the bottom hinge and the hole caps.



8. Exchange the F:bottom hinge and F:upper hinge, then install them according to below steps, and install the top hole cover and lower hole caps.
9. Remove the two fixed blocks of freezer door and rotate them for 180° and install them on other side of freezer door.



10. The picture after completion is shown as below.



ATTENTION

Differences: Due to technical changes and different models, some of the illustrations in this manual may differ from your model.

Changing the light

Any replacement or maintenance of the LED lamps is intended to be made by the manufacturer, its service agent or similar qualified person.

This product contains a light source of energy efficiency class (F).

After powering on for the first time, wait 2 or 3 hours before you put food into the appliance. If you add food before the appliance has cooled completely, your food may spoil.

Moving the appliance

1. Remove all items from the appliance.
2. Pull the power plug out, insert and fix it into the power plug hook at the rear of the appliance.
3. Tape parts such as shelves and the door to prevent them from falling off while moving the appliance.
4. Move the appliance with two people carefully. When transporting the appliance over a long distance, keep the appliance upright.

Tips for energy saving

Do not place the appliance near cookers, radiators or other heat sources. If the ambient temperature is high, the compressor will run more frequently and for longer, resulting in increased energy consumption.

Ensure that there is sufficient ventilation at the base of the appliance, on the sides of the appliance and at the back of the appliance.

Please also observe the spacing dimensions in the related chapter.

The arrangement of drawers, shelves and trays as shown in the product overview offers the most efficient use of energy and should be retained as far as possible.

To obtain a larger storage space, the middle drawers and shelves can be removed. The top and bottom drawers and shelves should be removed last if necessary.

An evenly filled refrigerator/freezer compartment contributes to optimal energy use.

Allow warm food to cool before placing it in the refrigerator/freezer compartment. Food that has already cooled down increases energy efficiency.

Allow frozen food to defrost in the refrigeration compartment. The coldness of the frozen food reduces the energy consumption in the refrigerator compartment and thus increases the energy efficiency.

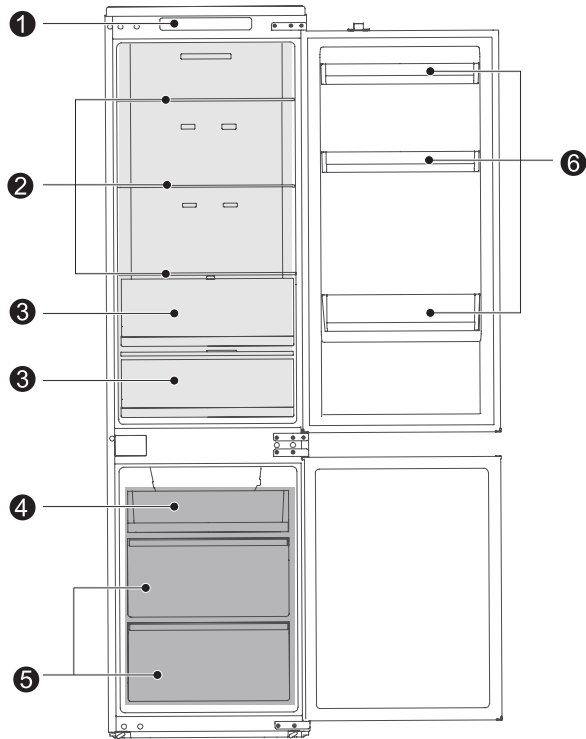
Open the door only as briefly as necessary to minimise cold loss. Opening the door briefly and closing it properly reduces energy consumption.

Setting the temperature no colder than necessary contributes to optimal energy use.

The door gaskets of your appliance must be perfectly intact, so that the doors close properly and energy consumption is not increased unnecessarily.

PRODUCT OVERVIEW

Parts and functions



- 1 Temperature control
- 2 Glass shelf
- 3 Fruit and vegetable drawer
- 4 Small Drawer
- 5 Big Drawer
- 6 Door tray

> For the most efficient use of energy, please keep all the internal items such as trays, drawers and shelves on the position supplied by manufacturer.

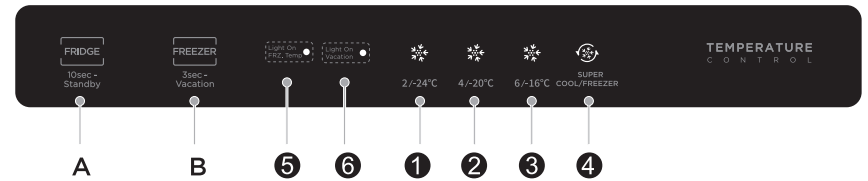
ATTENTION

Differences: Due to technical changes and different models, some of the illustrations in this manual may differ from your model.

OPERATION INSTRUCTIONS

Use and functions

Feature panel



Button

- A Fridge compartment setting / Standby mode button
- B Freezer compartment setting / Vacation mode button

Display screen

1	Setting 1 (2/-24°C)	3	Setting 3 (6/-16°C)	5	Light On / Fridge Temp
2	Setting 2 (4/-20 °C)	4	Setting 4 (super cool / freeze)	6	Light On / Vacation

ATTENTION

Do not use sharp objects to operate the control panel. They can scratch or damage the control panel.

Display

When powered on for the first time, all display segments will illuminate for 3 seconds and a start-up chime will sound. The display will then enter normal operation. After initial power-on, the default temperatures are **-20 °C** for the freezer compartment and **4 °C** for the refrigerator compartment.

Fault indication

If any of the following warning symbols appear on the display, they indicate a malfunction of the refrigerator. Even if cooling or freezing still seems to work, contact a qualified service technician as soon as possible to ensure safe, reliable operation.

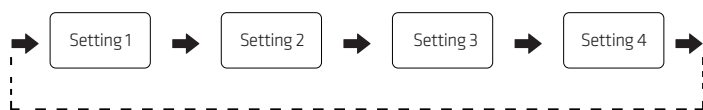
Fault Code	Fault Description
The LED "5" and LED "6" flashing	Freezer temperature sensor fault
The LED "1" and LED "6" flashing	Refrigerating temperature sensor fault
The LED "1" and LED "2" flashing	Freezer frost sensor fault
The LED "6" and LED "3" flashing	Ambient temperature sensor fault
The LED "1" and LED "3" flashing	Communication fault

Temperature setting

Click the setting button "A" to set the fridge compartment temperature.

Click the setting button "B", the indicator "Light On Freezer Temp" lights up to set the freezer compartment temperature.

The refrigerator will start operating with the new setting after 15 seconds.



Tips:

The lower the set temperature, the longer you can safely store your food and the more electricity the refrigerator consumes.

The higher the set temperature, the faster your stored food decays and the less electricity the refrigerator consumes.

Super cool mode

Click the setting button "A" until the icon "Super Cool" lights up. The fridge compartment enters super cool mode in 15 seconds.

The fridge compartment will automatically exit super cool mode after 6 hours. To cancel it earlier, press button "A" until the Super Cool icon goes out.

Super freeze mode

Click the setting button "B", the indicator "Light On Freezer Temp" lights up. Click the setting button "B" again until the icon "Super Freeze" lights up, and the freezer compartment enters Super freeze mode in 15 seconds.

The freezer compartment will automatically exit super freeze mode after 40 hours. To cancel it earlier, press button "B" until the Super Freeze icon goes out.

For best results, switch on Super Freeze about 12 hours before placing a large amount of unfrozen food in the freezer compartment.

Standby mode

Press and hold the setting button "A" for 10 seconds to enter the standby mode. The refrigerator stops working and the display goes off.

To exit standby mode and resume normal operation, press and hold button "A" again for 10 seconds.

Vacation mode

Click the setting button "B" for 3 seconds to enter the vacation mode, the icon "Light On Vacation" lights up. The vacation mode will start after 15 seconds.

Under vacation mode, the fridge compartment is turned off, the freezer compartment is set at -20°C.

To exit vacation mode, click the setting button "A" or setting button "B" until the icon "Light On Vacation" turns off.

Opening alarm control

If the door is not closed in two minutes, the buzzer will sound. Press any button or close the door to stop the buzzer alarm.

Storing food

Freezer compartment

The freezer compartment is designated for the low-temperature freezing of food, long-term storage of frozen food, and for the production of ice cubes.

Pay attention to the star classifications (4 star, 3 star, 2 star and 1 star) in the freezer compartment and the resulting storage periods for frozen food.

Do not put fresh and frozen food next to each other. The frozen food may thaw.

When freezing large amounts of fresh food (such as meat, fish, or minced meat), divide it into several small portions before placing it in the freezer. This allows the food to freeze more quickly and makes it easier to remove and use later.

Abide by the storage time recommended by food manufacturers on the packages, if there is no information on the packaging, food should not be stored in frozen for longer than three months from the date of purchase.

When purchasing frozen food, make sure that it was frozen at a suitable temperature and that the packaging is not damaged.

Frozen food should be kept in suitable individual packages to ensure that adjacent food cannot be contaminated. Consume thawed and defrosted foods immediately, do not refreeze them.

In case of prolonged power failure or malfunction of the appliance, remove the stored frozen food and check whether they are still edible, then store them in a sufficiently cool place or in another appliance.

To defrost food, remove it from the freezer compartment and let it defrost at room temperature or in the fridge compartment. To defrost food quickly, you can use the defrost function on your microwave, for example.

If you only want to defrost part of a pack, remove the portion you need and immediately close the rest of the pack. In this way, you will avoid "freezer burn" and will reduce ice formation on the remaining foods.

Fridge compartment

To reduce moisture and subsequent ice build-up, never put liquid into the fridge compartment in unsealed containers. Frost tends to concentrate in the coolest parts of the evaporator. Storing uncovered liquids results in a more frequent need for defrosting.

Never put warm foods in the fridge compartment. These should first cool down at room temperature and then be placed so as to ensure adequate air circulation in the fridge compartment.

Foods or food containers should not touch the back wall of the fridge compartment because they could freeze to the wall. Avoid opening the refrigerator door more often than necessary.

Fresh meat and cleaned fish (wrapped or in sealed plastic) may be stored in the refrigerator compartment and should be used within 1-2 days.

Unpackaged fruit and vegetables should be stored in the compartment designated for fresh produce.

ATTENTION

Storage of too much food during operation after the initial connection to power may adversely affect the freezing effect of the refrigerator.

Storage times and temperature

Note: Storing food for too long or at the wrong temperature can reduce quality or cause it to spoil. Spoiled food is inedible, leads to waste, and may cause food poisoning. In most cases, the freezer temperature should be at least -18 °C or colder. Do not exceed the recommended storage times below.

- > Stew, ice cream, sausages, bread: 2-6 months.
- > Fish, shrimp, lamb, meat: 4-8 months.
- > Vegetables, fruits, poultry, beef: 6-12 months.

MAINTENANCE AND CLEANING

CAUTION

Disconnect the appliance from the electrical supply before undertaking any routine maintenance. Allow at least 5 minutes before restarting the appliance, as frequent starting may damage the compressor.

Hold the plug, not the cable, when unplugging the appliance.

Do not scrape off frost and ice with sharp objects. Do not use sprays, electric heaters, hair dryers, steam cleaners, or any other heat source, as these may damage the plastic parts.

Remove dust from the back of the appliance at least once a year to reduce fire risk and avoid unnecessary energy consumption.

Check the door gasket regularly to make sure there is no debris. Clean the door gasket with a soft cloth dampened with soapy water or diluted detergent.

Clean the interior regularly to prevent odors.

Use a soft cloth or sponge and a solution of 2 tablespoons of baking soda in 1 litre of warm water. Rinse with clean water and wipe dry. After cleaning, leave the door open until the interior is completely dry before reconnecting the power.

For areas that are difficult to clean in the appliance (such as narrow crevices, gaps or corners), it is recommended to wipe them regularly with a soft rag, soft brush, etc. and when necessary, combined with some auxiliary tools (such as thin sticks) to prevent dirt and bacteria from accumulating.

Do not use soap, detergent, scrub powder, spray cleaner, etc., as they may cause odors or contaminate food.

Wipe the outer surface of the appliance with a soft cloth dampened with soapy water, detergent, etc., and then wipe dry.

Do not use hard brushes, steel wool, wire brushes, abrasive cleaners (such as toothpaste), organic solvents (such as alcohol, acetone, isoamyl acetate, benzene, etc.), boiling water, or acidic or alkaline cleaners. These can damage or deform the surfaces and plastic parts of the appliance.



Do not rinse directly with water or other liquids during cleaning to avoid short circuits or affect electrical insulation after immersion.

ATTENTION

The appliance shall run continuously once it is started. Generally, the operation of the appliance shall not be interrupted; otherwise the service life may be impaired

Defrosting

Although this appliance automatically defrosts, a layer of frost may occur on the freezer compartment's interior walls if the freezer door is opened frequently or kept open for too long. If the frost is too thick, choose a time when the supply of food stocks are low and proceed as follows:

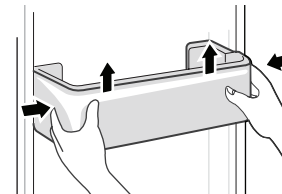
1. Remove existing food and all accessories, unplug the appliance from the mains power and leave the doors open. Ventilate the room thoroughly to accelerate the thawing process.
2. When defrosting is completed, clean your appliance as described above.

CAUTION! Don't use sharp objects to remove frost from the appliance. Only after the interior is completely dry should the appliance be switched back on and plugged back into the mains socket.

Cleaning of door tray

According to the direction arrows in the figure below, use both hands to squeeze the tray, and push it upward to remove it.

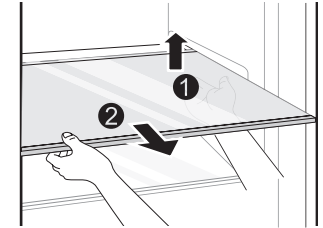
After washing the tray, you can reinstall it at the desired height.



Cleaning of the glass shelves

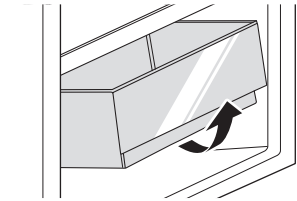
Because the rear edge of the refrigerator liner has a stop, you must lift the shelves slightly before removing them.

You can then adjust or remove the shelves for cleaning as needed.



Cleaning the vegetable drawer

Remove the contents of the drawer. Hold the handle of the vegetable drawer and pull it out completely until it stops. Lift the vegetable drawer up and remove it by pulling it out.



ATTENTION

Differences: Due to technical changes and different models, some of the illustrations in this manual may differ from your model.

TROUBLESHOOTING

The following simple issues can be handled by the user. Please call the after-sales service department if the issues are not solved.

Problem	Possible Causes	Solution
The appliance does not work	<ul style="list-style-type: none"> The power supply is not turned on and the plug is not firmly inserted. Low voltage, power failure or part of the circuit tripped. 	<ul style="list-style-type: none"> Insert the power cord plug firmly. Check the power supply at home.
Light not on	<ul style="list-style-type: none"> The appliance is not powered on. The light is broken. 	<ul style="list-style-type: none"> Unplug and re-plug the power cord. Replace the light with a new one by qualified person.
Fruits or vegetables are frozen	<ul style="list-style-type: none"> Has the food been placed at the back of the fridge compartment? The area near the back wall is where the temperatures are coldest. 	<ul style="list-style-type: none"> Not placing food which may freeze easily at the back of the fridge compartment.
Fridge/freezer compartment is over-cooling	<ul style="list-style-type: none"> Temperature control is not set correctly. 	<ul style="list-style-type: none"> Set the temperature higher.
Compressor working for a long time	<ul style="list-style-type: none"> High ambient temperature causing long working time. Putting too much food in at one time. Food is put in before it has cooled down. Opening the door too often. The frost layer inside is too thick. 	<ul style="list-style-type: none"> This is normal. Do not put too much food in at one time. Wait until the food has cooled down before putting it in. Do not open the door too often. Need to defrost.
Door does not close properly	<ul style="list-style-type: none"> Door is stuck with objects. Too much food in. Door gasket deformed. 	<ul style="list-style-type: none"> Re-arrange the food inside the refrigerator. Do not put in too much food. Heat the door gasket, then cool it for restoration (with an electrical drier or hot water for heating).
Outer wall is hot	<ul style="list-style-type: none"> When the appliance is operating, heat is dissipated to the outside through the metal tubes inside the cabinet. Higher ambient temperatures in the summer cause the temperature of the outer wall to rise. 	<ul style="list-style-type: none"> Higher temperature on the outer wall is normal. Increase the heat dissipation space, or put the appliance in a ventilated and cool place.
Cross or vertical beams are hot	<ul style="list-style-type: none"> There are metal tubes inside the beams, and the heat released from the tubes prevents condensation. 	<ul style="list-style-type: none"> This is normal.
Odors	<ul style="list-style-type: none"> Spoiled food. Food with strong odors. The interior compartment is dirty. 	<ul style="list-style-type: none"> Clean and remove any spoiled food. Make sure strong smelling food is wrapped airtight. Clean the interior compartment.
Condensation forms on the outside	<ul style="list-style-type: none"> Condensation may form when the humidity in the room is high. 	<ul style="list-style-type: none"> This is normal. Wipe off the condensation using a dry cloth.
Condensation forms inside the fridge/freezer compartment	<ul style="list-style-type: none"> The fridge compartment maintains a high humidity to keep vegetables and other food items fresh. Humidity is too high in the room and doors have been opened frequently. The door gasket are not tight. 	<ul style="list-style-type: none"> Wipe off the condensation using a dry cloth. Do not open doors frequently or do not keep them open for too long. Check the door gasket, clean or correct position.

Certain sounds can be heard during normal use of the refrigerator, which do not affect its correct operation.

Sounds, which can be easily prevented:

- > Noise caused by the appliance which is not level - adjust the position with the adjustable turn-in front feet. Alternatively, place pads made of soft material under the rear rollers, especially when the appliance is placed on tiles.
- > Touching the adjacent piece of furniture - move the refrigerator away.
- > Creaking of the drawers or shelves - take out and put back the drawer or shelf.
- > Sounds of clinking bottles - move bottles apart.

Sounds heard during normal use are mainly due to operation of the compressor (switching on) and cooling system (thermal expansion and contraction of the radiator caused by flow of the cooling agent).



APPENDIX

Special for new European standard

The ordered parts in the following table can be acquired from Service provider channel.

Ordered part	Provided by	Minimum time required for Provision
Thermostats	Professional maintenance personnel	At least 7 years after the last model is launched on the market
Temperature sensors	Professional maintenance personnel	At least 7 years after the last model is launched on the market
Printed circuit boards	Professional maintenance personnel	At least 7 years after the last model is launched on the market
Light sources	Professional maintenance personnel	At least 7 years after the last model is launched on the market
Door hinges	Professional repairers and final users	At least 7 years after the last model is launched on the market
Trays	Professional repairers and final users	At least 7 years after the last model is launched on the market
Baskets	Professional repairers and final users	At least 7 years after the last model is launched on the market
Door gaskets	Professional repairers and final users	At least 10 years after the last model is launched on the market

ATTENTION

The model information in the product database, as well as the model identifier, can be obtained through a weblink scanned by a QR code on energy label.

For more information about the energy efficiency of the appliance, visit <https://eprel.ec.europa.eu> and search using the model name. The model name can be found on the rating label of the appliance.

SPECIFICATION:

Model: POCRI5177DN

Climate Class: SN, N, ST, T

Rated Voltage: 220-240V~

Rated Frequency: 50 Hz

Refrigerant: R600a (30 g)

Noise: 35 dB (B class)

Power International AS,
PO Box 523, N-1471 Lørenskog, Norway

Power Norge:
<https://www.power.no/kundeservice/>
T: 21 00 40 00

Power Danmark:
<https://www.power.dk/kundeservice/>
T: 70 33 80 80

Punkt 1 Danmark:
<https://www.punkt1.dk/kundeservice/>
T: 70 70 17 07





Power Finland:
<https://www.power.fi/tuki/asiakaspalvelu/>
T: 0305 0305

Power Sverige:
<https://www.power.se/kundservice/>
T: 08 517 66 000

Les følgende sikkerhetsråd før du slår på apparatet for første gang!

- > Dette apparatet er beregnet for bruk i husholdninger og lignende bruksområder, slik som ansattes kjøkkenområder i butikker, kontorer og andre arbeidsmiljøer, gårder og av kunder i hoteller, moteller og andre boligmiljøer, overnattingsmiljøer, catering og lignende bruksområder utenfor detaljhandel.
- > Dette apparatet er ikke ment for bruk av personer (inkludert barn) med reduserte fysiske, sensoriske eller mentale evner, eller mangel på erfaring og kunnskap, med mindre de har fått tilsyn eller instruksjoner om bruk av apparatet av en person som er ansvarlig for deres sikkerhet.

Forklaring av betegnelser/symboler

	FARE Dette symbolet indikerer at det er fare for liv og helse til personer på grunn av ekstremt brannfarlig gass.
	ADVARSEL Signalordet indikerer en fare med middels risiko som, hvis den ikke unngås, kan føre til død eller alvorlig skade.
	FORSIKTIG Signalordet indikerer en fare med lav grad av risiko som, hvis den ikke unngås, kan føre til mindre eller moderate skader.
	MERK Signalordet indikerer viktig informasjon (f.eks. skade på eiendom), men ikke fare.

VIKTIG: Vær spesielt oppmerksom på meldinger som inneholder ordene **FARE**, **ADVARSEL** eller **FORSIKTIG**. Disse ordene brukes for å varsle deg om en potensiell fare som kan påføre deg og andre alvorlig skade.

Instruksjonene vil fortelle deg hvordan du kan redusere sjansen for skade og fortelle deg hva som kan skje hvis instruksjonene ikke følges.

MERK: Disse bruksanvisningene er generelle. Dette betyr at enkelte funksjoner gjelder for kjøleskapet ditt, mens andre ikke gjør det.

Vi jobber kontinuerlig med å videreutvikle og forbedre apparattypene og -modellene våre. Derfor forbeholder vi oss retten til å endre designen, utstyret og tilbehøret til alle typer og modeller uten forvarsel.

VIKTIGE SIKKERHETSINSTRUKSJONER

LES OG TA VARE PÅ DISSE INSTRUKSJONENE!



ADVARSEL: Brannfare / brennbart materiale

Kjølemiddel og syklopentanskummateriale som brukes til apparatet er brannfarlige. Når apparatet avhendes, må det derfor holdes unna enhver brannkilde og gjenvinnes av et spesialisert gjenvinningsfirma som ikke avhender det ved forbrenning, for å forhindre skade på miljøet eller annen skade.



ADVARSEL

Generell sikkerhet

- > Barn må holdes under oppsyn for å forhindre at de leker med utstyret.
- > Dersom strømledningen er skadet, må den erstattes av produsenten, serviceleverandøren eller tilsvarende kvalifiserte personer for å unngå fare.
- > Ikke oppbevar eksplosive stoffer som spraybokser med brennbart drivmiddel i dette apparatet.
- > Apparatet må kobles fra før det utføres vedlikehold.
- > **ADVARSEL:** Sørg for at ventilasjonsåpningene i apparatets kabinett eller i den innebygde strukturen er fri for hindringer.
- > **ADVARSEL:** Ikke bruk mekaniske enheter eller andre midler for å akselerere avrimingsprosessen, annet enn de som er anbefalt av produsenten.
- > **ADVARSEL:** Ikke skad kjølevæskekreten.
- > **ADVARSEL:** Ikke bruk elektriske apparater i matoppbevaringsrommet, med mindre de er av en type som anbefales av produsenten.
- > **ADVARSEL:** Forlat kjøleskapet i henhold til lokale reguleringer for bruk av brennbar blåsende gass og kjølemiddel.
- > **ADVARSEL:** Ved plassering av apparatet, må det sikres at strømledningen ikke sitter fast eller skades.
- > **ADVARSEL:** Ikke plasser mange skjøtekontakter eller skjøteledninger bak apparatet.
- > Ikke bruk skjøteledninger eller ujordede (to plugg) adaptere.
- > For å unngå fare på grunn av ustabilitet til apparatet, må det festes i henhold til instruksjonene.
- > Kjøleskapet må kobles fra strømkilden før du prøver å installere tilbehøret. Pass på at strømkabelen ikke kommer i klem i kjøleskapet. Ikke trakk på strømkabelen.

FORSIKTIG

Daglig bruk

- > Ikke trekk i strømledningen når du trekker ut støpselet til kjøleskapet. Hold godt på selve støpselet og trekk det direkte ut av stikkkontakten.
- > For å sikre sikker bruk, må du ikke skade strømledningen eller bruke stikkkontakten dersom den er skadet eller slitt.
- > Bruk en dedikert stikkontakt. Den skal ikke deles med andre elektriske apparater.
- > Strømledningen må settes helt inn i stikkkontakten, ellers kan det oppstå brann.
- > Sørg for at jordingselektroden til strømuttaket er utstyrt med pålitelig jording.
- > Hvis du lukter gass eller andre brennbare gasser, slå av gassforsyningsventilen umiddelbart, og åpne dører og vinduer for å ventilere området.
- > Ved en gasslekkasje må du ikke trekke ut støpselet til kjøleskapet eller betjene noen elektriske brytere; gnisten kan antenne gassen og forårsake brann.
- > Bruk ikke elektriske apparater oppå apparatet, med mindre de er av en type som produsenten har anbefalt.
- > Mellomrommene mellom kjøleskapets dører og hoveddel er små. Unngå å plassere hånden i disse, ellers kan du klemme fingeren. Vær forsiktig når du lukker kjøleskapsdøren for å unngå fallende gjenstander.
- > Ikke ta ut mat eller beholdere fra fryserdelen med våte hender når kjøleskapet er på, spesielt metallbeholdere, for å unngå frostskafer.
- > Ikke la barn klatre oppå eller gå inn i kjøleskapet, da dette kan føre til kvelning og fallskader.
- > Ikke plasser tunge gjenstander på toppen av kjøleskapet med tanke på at disse kan falle ned når ved lukking eller åpning døren, noe som kan forårsake utilsiktede skader.
- > Ikke legg brennbare, eksplosive, flyktige eller korroderende materialer i apparatet, for å unngå skader på kjøleskapet og brann.
- > Ikke plasser brennbare gjenstander i nærheten av kjøleskapet for å unngå brann.
- > Kjøleskapet er beregnet på husholdningsbruk, f.eks. til oppbevaring av mat. Det skal ikke brukes til andre formål, f.eks. oppbevaring av blod, legemidler, biologiske produkter osv.
- > Ikke oppbevar øl, drikkevarer eller annen væske i flasker eller andre lukkede beholdere i fryserdelen av kjøleskapet. Flasker og lukkede beholdere kan sprekke når innholdet fryser.

ADVARSEL

For EU-standard:

Dette apparatet kan brukes av barn fra 8 år og over og personer med redusert fysisk, sensorisk og mentale evner eller som mangler erfaring og kunnskap, så lenge de har blitt gitt overvåking og instruksjon om bruken av apparatet på en trygg måte og forstår farene det kan innebære. Barn skal ikke leke med apparatet. Rengjøring og vedlikehold må ikke utføres av barn uten tilsyn.

For å unngå kontaminering av mat, må du overholde følgende instruksjoner:

- Åpning av døren over lengre perioder kan føre til en betydelig økning av temperaturen i apparatets rom.
- Rengjør jevnlig overflater som kan komme i kontakt med mat og tilgjengelige dreneringssystemer.
- Rengjør vanntanker hvis de ikke har vært brukt på 48 timer. Skyll vannsystemet koblet til en vannforsyning hvis vannet ikke har blitt tappet på 5 dager. **(Merknad 1)(*)**
- Oppbevar rått kjøtt og fisk i egnede beholdere i kjøleskapet, slik at maten ikke kommer i kontakt med eller drypper på annen mat.
- Fryserkammer med to stjerner er egnet for oppbevaring av forhåndsfrost mat, oppbevaring eller tilberedning av is krem og til å lage isbiter. **(Merknad 2)(*)**
- Kammer med 1, 2 og 3 stjerner er ikke egnet for frysing av fersk mat. **(Merknad 3)(*)**
- For apparater som ikke har et firestjerners rom, er ikke dette kjøleapparatet egnet for å fryse mat. **(Merknad 4)(*)**
- Hvis kjøleapparatet blir stående tomt i lengre perioder, slås det av, tines, rengjøres og tørkes. La døren stå åpen for å unngå muggutvikling inne i apparatet.

Merknad 1, 2, 3, 4: Kontroller hva som gjelder basert på typene rom i produktet ditt.

(*): Denne funksjonen varierer avhengig av hvilken modell som er kjøpt.



«Fire stjerner»-symbol: Fryserdelen er på -18 °C eller kaldere, og det er mulig å hurtigfryse en viss mengde mat.



«3 stjerner»-symbol: Fryserkammer ved -18 °C eller kaldere.



«2 stjerner»-symbol: Fryserkammer ved -12 °C eller kaldere.



«1 stjerne»-symbol: Frysekammer med målteperatur og oppbevaringsforhold på -6 °C.

FORSIKTIG

Dette produktet er ikke anbefalt for bruk med stikkontakter eller sikringer som har AFCI/GFCI-funksjon, da det kan føre til falske utløsninger.

1. Det er ingen sikkerhetsrisiko forbundet med utløsning.
2. Hvis utløsningen fortsetter å finne sted, anbefales det å erstatte stikkkontakten eller sikringen med en stikkontakt eller sikring som ikke har AFCI/GFCI-funksjon.

ADVARSEL

Fare for fastklemming av barn. Før du avhender det gamle kjøleskapet:

- > Ta av dørene.
- > La hyllene stå på plass, slik at barn ikke enkelt kan klatre inn.

MILJØVERN

Avhending av gamle elektriske apparater på en miljøvennlig måte



Dette symbolet for søppeldunk med kryss over indikerer at elektriske og elektroniske produkter (EE) skal avhendes separat fra husholdningsavfall.

Gamle elektriske produkter kan inneholde farlige stoffer, så ved å avhende det gamle apparatet på riktig måte bidrar du til å forhindre skade på miljø og helse. Det gamle apparatet ditt kan inneholde gjenbrukbare deler som kan brukes til å reparere andre produkter, og andre verdifulle materialer som kan resirkuleres for å bevare begrensede ressurser.

⚠ FORSIKTIG

Kjølemiddel og skummaterialer av cyclopentan som brukes i kjøleskap, er brennbar. Når kjøleskapet avhendes, må det derfor holdes unna enhver brannkilde og gjenvinnes av et spesialisert gjenvinningsfirma som ikke avhender det ved forbrenning, for å forhindre skade på miljøet eller annen skade.

Emballasjeinformasjon



Emballasjematerialene til produktet er produsert av resirkulerbare materialer i samsvar med våre nasjonale miljøforskrifter. Ikke avhende emballasjen sammen med husholdningsavfall eller annet avfall. Ta dem til innsamlingsstedene for emballasjematerialer som er utpekt av lokale myndigheter.

INSTALLASJONSINSTRUKSJON

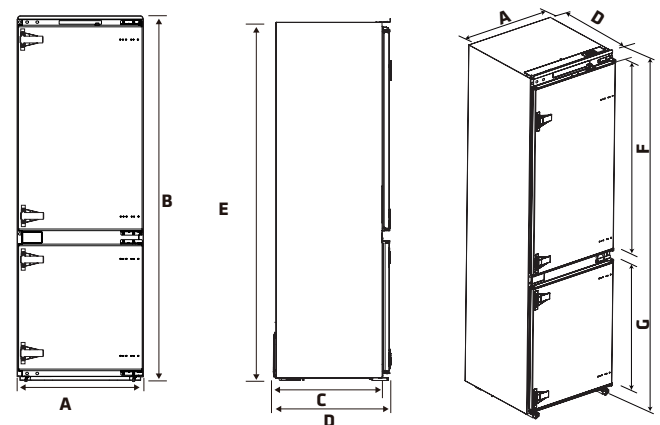
Før første bruk

Fjern den utvendige og innvendige pakningen, tørk av utsiden grundig med en myk, tørr klut og innsiden med en våt, lunken klut.

Før du kobler kjøleskapet til strømforsyningen, må du kontrollere at spenningen som er angitt på typeskiltet til apparatet samsvarer med spenningen i hjemmet ditt. En annen spenning kan skade apparatet.

Apparatet må være jordet. Produsenten er ikke ansvarlig for skader som kan oppstå som følge av bruk uten jording.

Diagram for plassbehov



A	B	C	D	E	F	G
540	1785	515	550	1770	992	620,5

Merknad: Alle mål i mm

Omgivelsestemperatur

Avhengig av klimaklassen er dette kjøleskapet beregnet på bruk i de omgivelsestemperaturene som er angitt i følgende tabell.

Det kan hende produktet ikke fungerer som det skal hvis det brukes utenfor det angitte temperaturområdet.

Du finner klimaklassen på produktets etikett.

Klimaklasse	Omgivelsestemperatur
SN	+10 °C til +32 °C
N	+16 °C til +32 °C
ST	+16 °C til +38 °C
T	+16 °C til +43 °C

Dersom du er i tvil om montering, bes du kontakte leverandøren, vår kundeservice eller nærmeste autoriserte servicesenter.

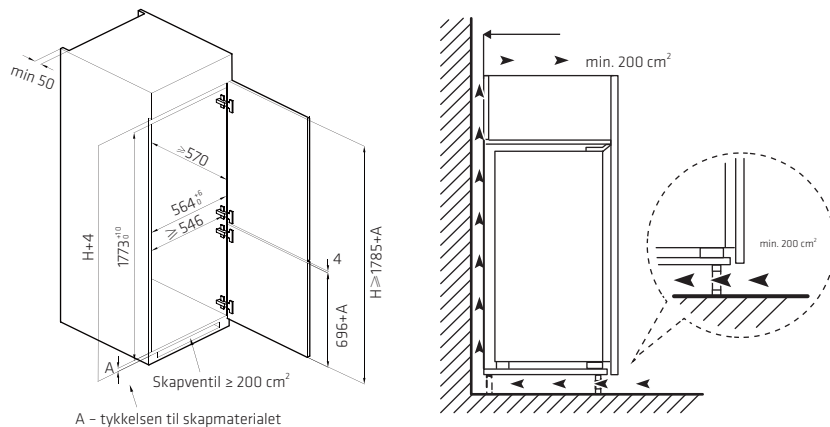
● MERK

Kjøleytelsen og strømforbruket til kjøleskapet kan påvirkes av omgivelsestemperaturen, hvor ofte døren åpnes og plasseringen til kjøleskapet. Vi anbefaler å justere temperaturinnstillingene etter behov.

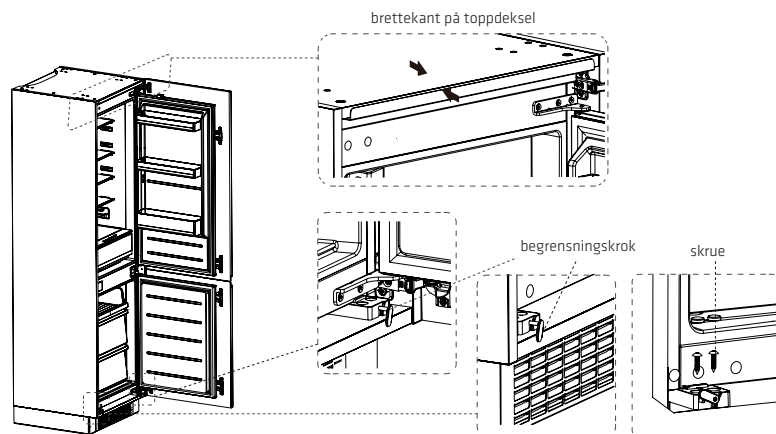
Installasjon i skap

Trinn:

1. Krav til skapstørrelse. (Merknad: Alle mål er i mm.)

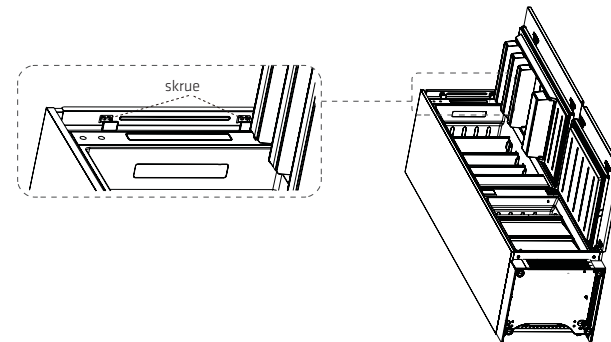


2. Skyv kjøleskapet inn i skapet og juster det slik at brettekanten til toppdekelet ligger helt inntil den øvre kanten til skapet.
3. Grensekroken til støttebenet skal ligge helt inntil den nedre kanten til skapet.

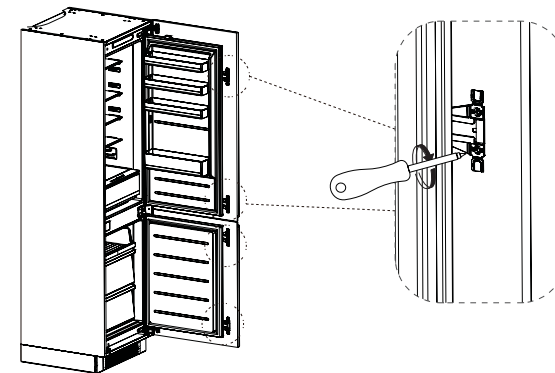


4. Fest støttebenet med skruer, og sett så på skrueluggene.

5. Fest toppdekelet til toppen av skapet med skruer, og sett så på skrueluggene.



6. Åpne den nedre døren i skapet til maksimal vinkel, og åpne den nedre døren til kjøleskapet til samme posisjon. Skyv blokken for å sikre at den indre kanten er i flukt med kanten av den nedre døren til kjøleskapet, og fest så blokken til skapdøren med en skruer og sett på skrueluggene.
7. Fest den øvre kjøleskapsdøren til skapet på samme måte.



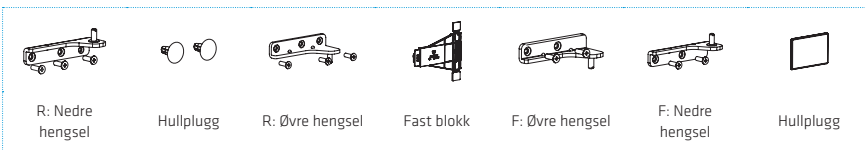
8. Ta ut pakningslisten fra tilbehørsposen, og press den inn i mellomrommet mellom skapet og kjøleskapet. Installasjonen er fullført.

MERK

Forholdsregler for installering: Informasjonen i bruksanvisningen er kun til referanse. Det fysiske produktet kan avvike. Før du installerer eller justerer tilbehør, må du sørge for at kjøleskapet er koblet fra strømforsyningen.

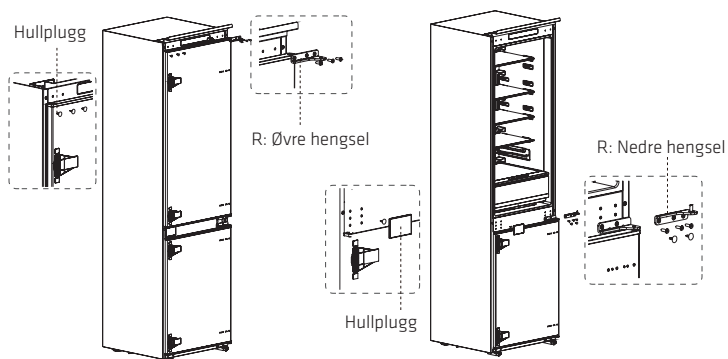
Reversering av dører

Deler som allerede er montert på kjøleskapt ved utsending:

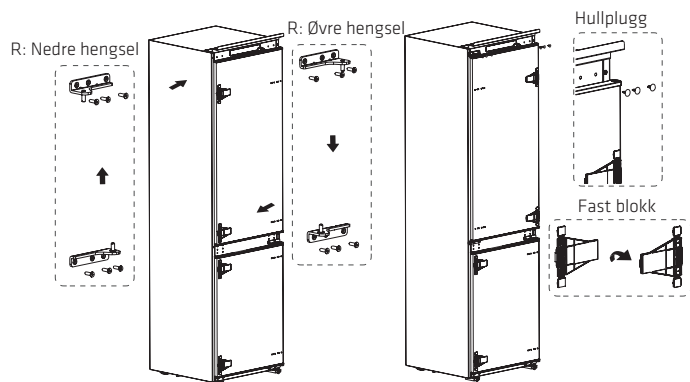


Trinn:

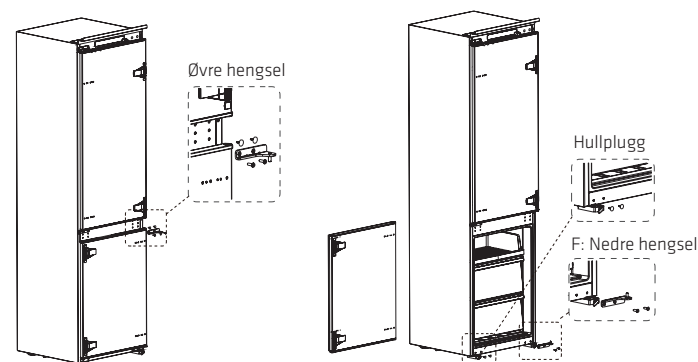
1. Slå av kjøleskapet og fjern alle gjenstander fra dørbrettene.
2. Fjern det øvre hengselet og hullpluggene fra kjøleskapsdøren.
3. Fjern kjøleskapsdøren, det nedre hengselet og hulldekelet.



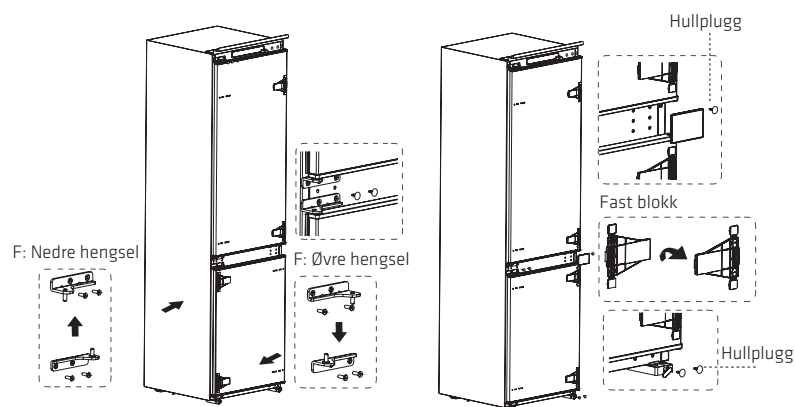
4. Bytt nedre hengsel R og øvre deksel R, installer dem igjen i henhold til trinnene nedenfor, og fest de øvre hullpluggene.
5. Fjern de to faste blokkene på kjøleskapsdøren og roter dem 180° og installer dem på den andre siden av kjøleskapsdøren.



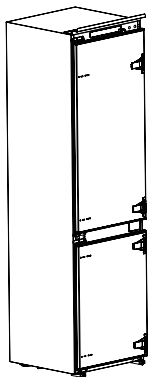
6. Fjern det øvre hengselet til fryserdøren og pluggpinnen.
7. Fjern fryserdøren, det nedre hengselet og hullpluggene.



8. Bytt nedre hengsel F og øvre deksel F, installer dem igjen i henhold til trinnene nedenfor, og fest det øvre hulldekelet.
9. Fjern de to faste blokkene på fryserdøren og roter dem 180° og installer dem på den andre siden av fryserdøren.



10. Bildet etter fullføring vises nedenfor.



MERK

Forskjeller: På grunn av tekniske endringer og forskjellige modeller, kan noen av illustrasjonene i denne håndboken avvike fra din modell.

Bytte lysset

Eventuell utskifting eller vedlikehold av LED-lampene er ment å utføres av produsenten, deres serviceagent eller lignende kvalifisert person.

Produktet inneholder en lyskilde med energieffektivitetsklasse (F).

Etter at du slår på kjøleskapet for første gang må du vente to eller tre timer før du plasserer mat i det. Hvis du plasserer mat før apparatet er helt avkjølt, kan maten bli ødelagt.

Flytte på apparatet

1. Fjern alle gjenstander fra apparatet.
2. Ta ut støpselet, og sett inn og fest støpselpluggen på baksiden av apparatet.
3. Teip løser deler som hyller og døren for å forhindre at de faller av mens apparatet flyttes.
4. Flytt apparatet forsiktig med to personer. Hold apparatet oppreist når du transporterer apparatet over en lang avstand.

Tips for energisparing

Ikke plasser apparatet i nærheten av komfyrer, radiatorer eller andre varmekilder. Hvis omgivelsestemperaturen er høy går kompressoren oftere og lenger, noe som gir økt energiforbruk.

Sørg for at det er tilstrekkelig ventilasjon i bunnen av apparatet, på sidene av apparatet og på baksiden av apparatet.

Kontroller også målene til avstander i det aktuelle kappitelet.

Oppsettet av skuffer, hyller og brett som vist i produktoversikten gir mest mulig effektiv energibruk og bør beholdes så langt det er mulig.

De midtre skuffene og hyllene kan fjernes for å få et større lagringsrom. Øvre og nederste skuffer og hyller bør fjernes sist hvis nødvendig.

Et jevnt fylt kjøle-/fryserom bidrar til optimal energibruk.

La varm mat avkjøles før du legger den i kjøle-/frysekammeret. Mat som allerede er avkjølt øker energieffektiviteten.

La frossen mat tine i kjølekammeret. Kulden på den frosne maten reduserer energiforbruket i kjølerommet og øker dermed energieffektiviteten.

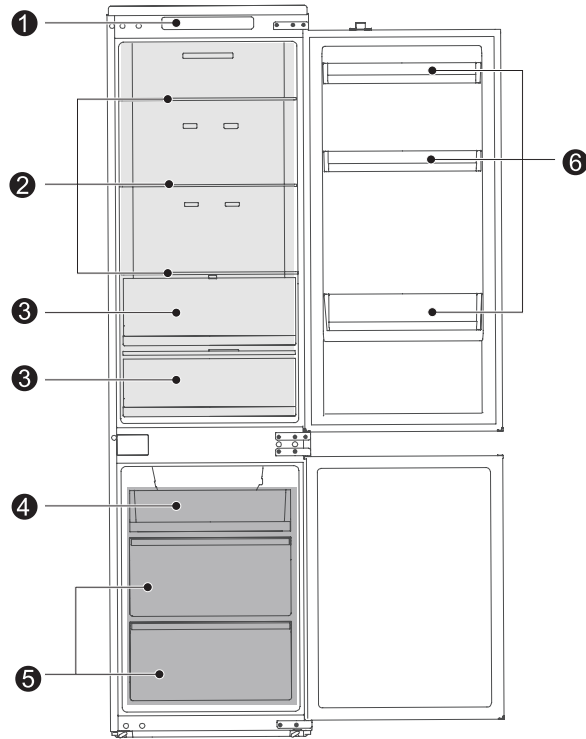
Åpne døren bare så kort som nødvendig for å minimere kuldetapet. Kort åpning av døren og lukking på riktig måte reduserer energiforbruket.

Ikke still temperaturen kaldere enn nødvendig, det bidrar til optimal energibruk.

Dørpakningene til apparatet ditt må være helt intakte, slik at dørene lukkes ordentlig og energiforbruket ikke økes unødvendig.

PRODUKTOVERSIKT

Deler og funksjoner



- | | | | |
|---|-------------------------|---|-------------|
| 1 | Temperaturkontroll | 4 | Liten skuff |
| 2 | Glasshyll | 5 | Stor skuff |
| 3 | Frukt- og grønnsaksboks | 6 | Dør Brett |

> For å bruke energien mest mulig effektivt skal alle interne deler som brett, skuffer og hyller være plassert slik produsenten plasserte dem.

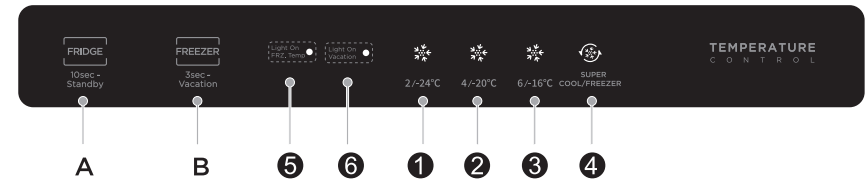


Forskjeller: På grunn av tekniske endringer og forskjellige modeller, kan noen av illustrasjonene i denne håndboken avvike fra din modell.

BRUKSANVISNING

Bruk og funksjoner

Funksjonspanel



Knapp

- A** Knapp for innstillinger for kjøledel / standbymodus
- B** Knapp for innstillinger for fryserdel / feriemodus

Skjerm

1	Innstilling 1 (2/-24°C)	3	Innstilling 3 (6/-16°C)	5	Light On / Fridge Temp
2	Innstilling 2 (4/-20°C)	4	Innstilling 4 (superkjøl/frys)	6	Light On / Vacation



Ikke bruk skarpe gjenstander til å betjene kontrollpanelet. De kan skrape opp eller skade kontrollpanelet.

Skjerm

Første gang du slår på apparatet, lyser hele displayet opp i tre sekunder og det høres en oppstartslyd. Deretter starter displayet normal funksjonalitet. (Etter den innledende oppstarten er standard innstilling for fryserdelen og kjøledelen **-20/4 °C**).

Feilindikasjon

Følgende advarsler på displayet indikerer spesifikke feil på kjøleskapet. Kjøleskapet kan fortsatt ha en frysefunksjon med de følgende feilene, men brukeren må kontakte en reparatør for å få vedlikehold for å sikre normal bruk av kjøleskapet.

Feilkode	Beskrivelse av feil
LED «5» og LED «6» blinker	Feil på sensor for fryserstemperatur
LED «1» og LED «6» blinker	Sensorfeil for kjøletemperatur
LED «1» og LED «2» blinker	Feil på fryserens frostsensoren
LED «6» og LED «3» blinker	Feil på sensor for omgivelsestemperatur
LED «1» og LED «3» blinker	Kommunikasjonsfeil

Temperaturinnstilling

Klikk på innstillingsknapp «A» for å stille kjøledelen.

Klikk på innstillingsknapp «B» for å stille frysedelen. Indikatoren «» tennes.

Kjøleskapet fungerer i henhold til den nye innstillingen etter 15 sekunder.



Tips:

Jo lavere temperaturinnstillingen er, desto lenger kan du lagre mat trygt, og desto høyere blir kjøleskapets energiforbruk.

Jo høyere temperaturinnstillingen er, desto raskere forringes den lagrede maten, og desto lavere blir kjøleskapets energiforbruk.

Superkjølemodus

Klikk på innstillingsknapp «A» til ikonet «» tennes. Kjøledelen starter superkjølemodus etter 15 sekunder.

Kjøledelen avslutter automatisk superkjølemodus etter seks timer. Du kan også trykke på temperaturinnstillingsknapp A for å avslutte superkjølemodus før tiden.

Superfrysemodus

Klikk på innstillingsknapp «B», så tennes indikatoren «». Klikk så på innstillingsknapp «B» igjen til ikonet «» tennes, så starter fryserdelen superfrysemodus etter 15 sekunder.

Frysedelen avslutter automatisk superfrysemodus etter 40 timer. Du kan også trykke på innstillingsknapp «B» for å avslutte superfrysemodus før tiden.


For best resultat, slå på superfrysemodus tolv timer før du plasserer store mengder ufrossen mat i frysedelen.

Standby-modus

Hold inne innstillingsknapp «A» i ti sekunder for å starte standbymodus. Kjøleskapsdøren slutter å fungere, og skapet slås av.

I standbymodus kan du holde inne innstillingsknapp «A» i ti sekunder for å gjenopprette normal kontroll.

Feriemodus

Hold inne innstillingsknapp «B» i tre sekunder for å starte feriemodus. Ikonet «» tennes, og feriemodus starter etter 15 sekunder.

I feriemodus er kjøledelen slått av og frysedelen er satt til -20°C.

I feriemodus kan du trykke på innstillingsknapp «A» eller innstillingsknapp «B» til ikonet «» slås av og feriemodus avsluttes.

Alarmkontroll for åpning

Hvis døren ikke lukkes innen to minutter, vil summeren lyde. Trykk på en hvilken som helst knapp eller lukk døren for å stoppe alarmklokken.

Matoppbevaring

Fryserkammer

Fryserrommet er beregnet for lavtemperaturfrysing av mat, langtidslagring av frossen mat og for produksjon av isbiter.

Følg med på stjerneklassifiseringene (fire stjerner, tre stjerner, to stjerner og én stjerne) i fryserdelen og de tilhørende lagringstidene for frossen mat.

Ikke plasser fersk og frossen mat ved siden av hverandre. Den frosne maten kan tine.

Når du fryser store mengder fersk mat (f.eks. kjøtt, fisk eller kjøttdeig) skal du dele dem opp i mindre deler før du legger dem inn, slik at de fryser raskere og enkelt kan brukes.

Følg instruksjonene for oppbevaringstid som matprodusentene har trykket på pakningen. Hvis du ikke finner informasjon på pakningen, skal ikke mat oppbevares lenger enn tre måneder fra kjøpsdatoen.

Når du kjøper frossen mat, sørg for at den er frosset ved passende temperatur og at emballasjen ikke er skadet.

Frossen mat bør oppbevares i egnede individuelle pakker for å sikre at tilstøtende mat ikke kan forurennes. Spis tint og tint mat umiddelbart, ikke frys dem på nytt.

Ved langvarig strøbrudd eller funksjonsfeil på apparatet, fjerner du de lagrede frosne matvarene og kontroller om de fortsatt er spiselige. Oppbevar dem deretter på et tilstrekkelig kjølig sted eller i et annet apparat.

Når du skal tine mat, tar du den ut av fryserdelen og lar den tine ved romtemperatur eller i kjøledelen. For å tine mat raskt kan du for eksempel bruke tinefunksjonen på mikrobølgeovnen din.

Hvis du bare vil tine en del av en pakke, fjern den delen du trenger og lukk umiddelbart resten av pakken. På denne måten vil du unngå «fryseforbrenning» og redusere isdannelse på de resterende matvarene.

Kjøleskapskammer

For å redusere fuktighet og påfølgende oppbygging av is, må ikke væske plasseres i kjøleskapet i uforslede beholdere. Frost har en tendens til å konsentrere seg i de kjøligste delene av fordampere. Oppbevaring av udekket væske resulterer i et hyppigere behov for tining.

Plasser aldri varm mat i kjøleskapet. Maten må først få tid til å kjøle seg ned i romtemperatur før den legges i kjøleskapet, for å sikre tilstrekkelig luftsirkulasjon i kjøledelen.

Mat og matbeholdere skal aldri berøre bakveggen i kjøledelen, ellers kan de fryse fast i veggen. Ikke fortsett å åpne døren til kjøleskapet regelmessig.

Kjøtt og renset fisk (lagt i en boks eller pakket i plastfolie) kan legges i kjøledelen, og skal da brukes innen én til to dager.

Frukt og grønnsaker uten emballasje kan plasseres i delen som er beregnet for fersk frukt og grønnsaker.

MERK

Oppbevaring av for mye mat rett etter tilkobling til strøm kan ha en negativ effekt på kjøleskapets fryseeffekt.

Oppbevaringstider og temperatur

Merk: Langvarig oppbevaring eller lagring ved upassende frysetemperatur kan føre til kvalitetstap eller ødelagt mat, som forårsaker matsvinn, at maten blir uspiselig og matforgiftning. Minimumstemperaturen bør i de fleste tilfeller være -18 °C eller kaldere. Følg den maksimale anbefalte lagringstiden nedenfor:

- > Stuing, iskrem, pølser, brød: 2 til 6 måneder.
- > Fisk, reker, lam, kjøtt: 4 til 8 måneder.
- > Grønnsaker, frukt, fjærfe, biff: 6 til 12 måneder.

VEDLIKEHOLD OG RENGJØRING

FORSIKTIG

Koble apparatet fra strømforsyningen før du utfører rutinemessig vedlikehold. Vent minst 5 minutter før du starter apparatet på nytt, siden hyppig start kan skade kompressoren.

Hold på støpselet, ikke på ledningen, når du kobler fra apparatet.

Ikke skrap bort is med skarpe gjenstander. Ikke bruk sprayer eller elektriske varmeapparater som ovner, hårtørkere, damprensere eller andre varmekilder, da dette kan skade plastdelene.

Tørk bort støvet fra baksiden av apparatet minst én gang i året for å unngå brannfare og redusere strømforbruket.

Kontroller dørpakningen regelmessig for å sikre at det ikke er noe rusk. Rengjør dørpakningen med en myk klut fuktet med såpevann eller fortyntnet vaskemiddel.

Innsiden av apparatet skal rengjøres jevnlig for å unngå lukt.

Bruk en myk klut eller en svamp for å rengjøre innsiden av apparatet med to spiseskjeer natron oppløst i én liter vann. Skyll deretter med vann og tørk av. Etter rengjøring, åpner du døren og la den tørke naturlig før du slår på strømmen.

Når det gjelder områder i apparatet som det er vanskelig å rengjøre (f.eks. smale sprekker, mellomrom og hjørner) er det anbefalt å tørke dem av jevnlig med en myk klut, myk børste eller lignende, og å bruke redskaper (f.eks. tynne pinner) ved behov for å sikre at det ikke samler seg opp smuss og bakterier i disse områdene.

Bruk ikke såpe, vaskemiddel, skurepulver, rengjøringspray osv., da disse kan gi lukt i apparatet eller kontaminere maten.

Tørk av utsiden av apparatet med en myk klut fuktet med såpevann, og tørk det så med en tørr klut.

Bruk ikke harde børster, stålull, stålborster, slipemidler (f.eks. tannkrem), organiske løsemidler (f.eks. alkohol, aceton osv.), kokende vann eller syrer eller alkaliske midler, da disse kan skade apparatets overflater og innside. Kokende vann og organiske løsemidler som benzen kan deformere eller skade plastdeler.



Ikke skyll direkte med vann eller andre væsker under rengjøring for å unngå kortslutninger eller påvirke elektrisk isolasjon etter nedsenking.

MERK

Apparatet må stå på kontinuerlig når det er startet opp. Generelt sett må ikke apparatets drift forstyrres, ellers kan levetiden bli forkortet.

Avriming

Selv om apparatet fjerner rim automatisk, kan det oppstå et lag med rim på fryserdelens indre vegger hvis fryserdøren blir åpnet ofte eller blir stående åpen lenge. Hvis islaget blir for tykt, venter du til det er lite mat i fryseren og gjør følgende:

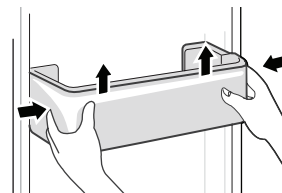
1. Fjern all mat og alle løse deler, koble apparatet fra stikkkontakten og la døren stå åpen. Ventilert rommet godt for å sette fart på tiningen.
2. Når avrimingen er ferdig, rengjør du apparatet i henhold til instruksjonene ovenfor.

FORSIKTIG! Ikke bruk skarpe gjenstander til å fjerne is fra apparatet. Apparatet skal kun kobles til stikkkontakten igjen og slås på når hele innsiden er helt tørr.

Rengjøring av dørbrett

I henhold til retningspilen i figuren nedenfor, bruker du begge hendene til å klemme brettet og skyver det oppover, slik at du kan ta det ut.

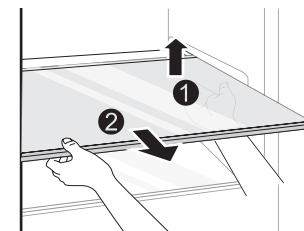
Etter vask av brettet kan du justere monteringshøyden etter dine behov.



Rengjøring av glasshyllene

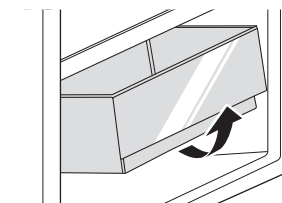
Den innerste delen av kjøleskapets hyllefester har en stopper, så hyllene må heves litt opp når de skal tas ut.

Juster eller rengjør hyllene i etter dine behov.



Rengjøring av grønnsaksskuffen

Fjern innholdet i skuffen. Hold i håndtaket på grønnsaksskuffen og trekk den helt ut til den stopper. Løft grønnsaksskuffen opp og fjern den ved å trekke den ut.



MERK

Forskjeller: På grunn av tekniske endringer og forskjellige modeller, kan noen av illustrasjonene i denne håndboken avvike fra din modell.

FEILSØKING

Følgende enkle problemer kan håndteres av brukeren. Ring et serviceverksted hvis problemene ikke løses.

Problem	Mulige årsaker	Løsning
Ikke betjene	<ul style="list-style-type: none"> Strømforsyningen er ikke slått på og støpselet er ikke satt ordentlig inn. Lav spenning, strømbrudd eller en del av sikringen er utløst. 	<ul style="list-style-type: none"> Sett strømledningen godt inn. Kontroller strømforsyningen i hjemmet.
Lyset er ikke på	<ul style="list-style-type: none"> Apparatet er ikke slått på. Lyset er ødelagt. 	<ul style="list-style-type: none"> Trekk ut og koble til strømledningen igjen. Lyset skal skiftes ut av en kvalifisert person.
Frukt eller grønnsaker fryses	<ul style="list-style-type: none"> Har det blitt plassert mat helt bakerst i kjøledelen? Området nær bakveggen er det kaldeste. 	<ul style="list-style-type: none"> Ikke plasser mat som lett kan fryse bak i kjøleskapet.
Kjøleskaps- eller fryserdelen kjøles for mye	<ul style="list-style-type: none"> Temperaturkontrollen er ikke riktig innstilt. 	<ul style="list-style-type: none"> Still inn temperaturen høyere.
Kompressoren har ikke vært i drift på lang tid	<ul style="list-style-type: none"> Høy omgivelsestemperatur gir lang arbeidstid. Legger inn for mye mat samtidig. Mat legges inn før den er avkjølt. Døren åpnes for ofte. Frostlaget på innsiden er for tykt. 	<ul style="list-style-type: none"> Dette er normalt. Ikke legg inn for mye mat samtidig. Vent til maten er avkjølt før du legger den inn. Ikke åpne døren for ofte. Trenger å tine.
Døren lukkes ikke ordentlig	<ul style="list-style-type: none"> Døren sitter fast med gjenstander. Rommer for mye mat. Dørpakning deformert. 	<ul style="list-style-type: none"> Omplasser maten i kjøleskapet. Ikke ha i for mye mat. Varm opp dørpakningen, avkjøl den deretter for gjenoppretting (med en elektrisk tørketrommel eller varmt vann for oppvarming).
Ytterveggen er varm	<ul style="list-style-type: none"> Når apparatet er i drift, spres varmen til utsiden gjennom metallrørene inne i skapet. Høyere omgivelsestemperaturer om sommeren fører til at utsiden av apparatet blir varmere. 	<ul style="list-style-type: none"> Høyere temperatur på ytterveggen er normalt. Øk varmeavledningsplassen, eller sett apparatet på et ventilert og kjølig sted.
Kryss- eller vertikale bjelker er varme	<ul style="list-style-type: none"> Det er metallrør inne i stengene, og varmen som frigjøres fra rørene, forhindrer kondens. 	<ul style="list-style-type: none"> Dette er normalt.
Lukter	<ul style="list-style-type: none"> Ødelagt mat. Mat med sterk lukt. Det indre kammeret er skittent. 	<ul style="list-style-type: none"> Rengjør og fjern eventuell ødelagt mat. Sørg for at sterkt luktende mat er pakket inn lufttett. Rengjør det indre kammeret.
Det dannes kondens på utsiden	<ul style="list-style-type: none"> Det kan dannes kondens når luftfuktigheten i rommet er høy. 	<ul style="list-style-type: none"> Dette er normalt. Tørk av kondens med en tørr klut.
Det dannes kondens inne i kjøleskapsdelen/ fryserdelen	<ul style="list-style-type: none"> Kjøleskapet holder høy luftfuktighet for å holde grønnsaker og andre matvarer ferske. Fuktigheten er for høy i rommet og dørene har blitt åpnet ofte. Dørpakningen er ikke tett. 	<ul style="list-style-type: none"> Tørk av kondens med en tørr klut. Ikke åpne dørene for ofte, og ikke la dem stå åpne lenge. Kontroller dørpakningen, rengjør eller korriger posisjonen.

Enkelte lyder kan høres under normal bruk av kjøleskapet, dette påvirker ikke korrekt drift.

Lyder som enkelt kan forhindres:

- > Støy forårsaket av apparatet som ikke står i vater – juster posisjonen med de justerbare innfellbare forføttene. Alternativt kan du plassere puter laget av mykt materiale under de bakre rullene, spesielt dersom apparatet er plassert på fliser.
- > Børering av det tilstøtende møbelet – flytt kjøleskapet vekk.
- > Knirking av skuffer eller hyller – ta ut og sett tilbake skuffen eller hyllen.
- > Lyder av klirrende flasker – flytt flasker fra hverandre.

Lyder som høres under normal bruk skyldes hovedsakelig drift av kompressoren (slå på) og kjølesystemet (termisk ekspansjon og sammentrekning av radiatoren forårsaket av kjølemiddelflyt).

VEDLEGG

Spesielt for ny europeisk standard

Bestillingsdelene i følgende tabell kan anskaffes fra serviceleverandøren.

Bestilte del	Levert av	Minimum tid som kreves for bruk
Termostater	Profesjonelt vedlikeholdspersonell	Minst 7 år etter at siste modell er lansert på markedet
Temperatursensorer	Profesjonelt vedlikeholdspersonell	Minst 7 år etter at siste modell er lansert på markedet
Trykte kretskort	Profesjonelt vedlikeholdspersonell	Minst 7 år etter at siste modell er lansert på markedet
Lyskilder	Profesjonelt vedlikeholdspersonell	Minst 7 år etter at siste modell er lansert på markedet
Dørhengsler	Profesjonelle reparatører og sluttbrukere	Minst 7 år etter at siste modell er lansert på markedet
Skuffer	Profesjonelle reparatører og sluttbrukere	Minst 7 år etter at siste modell er lansert på markedet
Kurver	Profesjonelle reparatører og sluttbrukere	Minst 7 år etter at siste modell er lansert på markedet
Dørpakninger	Profesjonelle reparatører og sluttbrukere	Minst 10 år etter at siste modell er lansert på markedet

MERK

Modellinformasjonen i produkt databasen og modellidentifikatoren kan skaffes ved å gå til en kobling man får ved å skanne en QR-kode på energietiketten.

Besøk <https://eprel.ec.europa.eu> og søk med modellnavnet for å få mer informasjon om apparatets energiklasse. Modellnavnet finner du på typeskiltet til apparatet.

SPESIFIKASJON:

Modell: POCRI5177DN

Klimaklasse: SN, N, ST, T

Merkespennning: 220–240 V~

Nominell frekvens: 50 Hz

Kjølemedium: R600a (30 g)

Støy: 35 dB (B-klasse)

Power International AS,
Postboks 523, N-1471 Lørenskog, Norge

Power Norge:
<https://www.power.no/kundeservice/>
T: 21 00 40 00

Power Danmark:
<https://www.power.dk/kundeservice/>
T: 70 33 80 80

Punkt 1 Danmark:
<https://www.punkt1.dk/kundeservice/>
T: 70 70 17 07





Power Finland:
<https://www.power.fi/tuki/asiakaspalvelu/>
T: 0305 0305

Power Sverige:
<https://www.power.se/kundeservice/>
T: 08 517 66 000

Lue seuraavat turvallisuusohjeet ennen laitteen ensimmäistä käyttökertaa!

- > Tämä laite on tarkoitettu käytettäväksi kotitalouksissa ja vastaavissa käyttöpaikoissa, kuten henkilöstön keittiötiloissa kaupoissa, toimistoissa ja muissa työympäristöissä; mautiloilla; asiakkaiden toimesta hotelleissa, motelleissa ja muissa asuintyypillisissä ympäristöissä; aamiaismajoitustyyppisissä ympäristöissä; pitopalveluissa ja vastaavissa muuhun kuin jälleenmyyntiin tarkoitetuissa paikoissa.
- > Tätä laitetta ei ole tarkoitettu sellaisten henkilöiden (mukaan lukien lapset) käyttöön, joilla on heikentyneet fyysiset, aistinvaraiset tai henkiset kyvyt tai joilla ei ole riittävästi kokemusta tai tietoa, ellei heidän turvallisuudestaan vastaava henkilö valvo heitä tai opasta heitä laitteen käytössä.

Termien/symbolien selitykset

	VAARA Tämä symboli ilmaisee, että erittäin helposti syttyvä kaasu aiheuttaa vaaraa ihmisten hengelle ja terveydelle.
	VAROITUS Merkkisana ilmaisee keskiuuren vaaran, joka voi johtaa kuolemaan tai vakavaan loukkaantumiseen, jos sitä ei vältetä.
	HUOMIO Merkkisana ilmaisee vähäisen vaaran, joka voi aiheuttaa lieviä tai kohtalaisia vammoja, jos sitä ei vältetä.
	HUOMAUTUS Merkkisana ilmaisee tärkeää tietoa (esim. omaisuusvahinko), mutta ei vaaraa.

TÄRKEÄÄ: Kiinnitä erityistä huomiota viesteihin, jotka sisältävät sanat **VAARA**, **VAROITUS** tai **HUOMIO**. Näitä sanoja käytetään varoittamaan sinua mahdollisesta vaarasta, joka voi vahingoittaa sinua ja muita vakavasti.

Ohjeissa kerrotaan, miten voit vähentää loukkaantumisen mahdollisuutta, ja kerrotaan, mitä voi tapahtua, jos ohjeita ei noudateta.

HUOMAUTUS: Nämä käyttöohjeet ovat yleisiä. Tämä tarkoittaa, että tietyt toiminnot koskevat jääkaappiasi, kun taas toiset eivät.

Työskentelemme jatkuvasti laitetyyppiemme ja -malliemme jatkokehittämisen ja parantamisen parissa. Siksi pidätämme oikeuden tehdä muutoksia kaikkien tyyppien ja mallien suunnitteluun, laitteisiin ja lisävarusteisiin ilman ennakoilmoitusta.

TÄRKEITÄ TURVALLISUUSOHJEITA

LUE JA SÄILYTÄ NÄMÄ OHJEET!



VAROITUS: Tulipalovaara / syttyviä materiaaleja

Laitteessa käytetty kylmäaine ja syklopentaanivaahtoaine ovat syttyviä. Kun laite romutetaan, se on tästä syystä pidettävä etäällä palonlähteistä ja se on otettava talteen erityisen talteenottoyrityksen toimesta, jolla on asianmukainen pätevyys, eikä sitä saa hävittää polttamalla, jotta vältetään ympäristövahingot tai muut haitat.



VAROITUS

Vleinen turvallisuus

- > Lapsia on valvottava, jotta he eivät leiki laitteella.
- > Jos virtajohto on vaurioitunut, valmistajan tai sen huolto liikkeen tai vastaavan pätevyyden omaavien henkilöiden on vaihdettava se vaaran välttämiseksi.
- > Älä säilytä laitteen sisällä räjähtäviä aineita, kuten aerosolipurkkeja, joissa on syttyvää ponneainetta.
- > Laite on irrotettava pistorasiasta ennen laitteen huoltotoimenpiteitä.
- > **VAROITUS:** Pidä laitteen sisällä tai sisäänrakennetussa rakenteessa olevat ilmanvaihtoaukot vapaina.
- > **VAROITUS:** Älä käytä muita kuin valmistajan suosittelemia mekaanisia laitteita tai keinoja sulatusprosessin nopeuttamiseksi.
- > **VAROITUS:** Varo vaurioittamasta jäähdytysainepiiriä.
- > **VAROITUS:** Älä käytä sähkölaitteita laitteen sisällä, ellei valmistaja suosittele sitä.
- > **VAROITUS:** Jääkaappi on hävitettävä paikallisten määräysten mukaisesti, sillä siinä käytetään syttyvää kaasua ja kylmäainetta.
- > **VAROITUS:** Kun asetat laitetta paikalleen, varmista, että virtajohto ei ole jäänyt mihinkään kiinni tai vaurioitunut.
- > **VAROITUS:** Älä laita jatkojohtoja tai kannettavia virtalähteitä laitteen taakse.
- > Älä käytä jatkojohtoja tai maadoittamattomia (kaksipiikkisiä) sovittimia.
- > Laitteen epävakaudesta johtuvan vaaran välttämiseksi se on kiinnitettävä ohjeiden mukaisesti.
- > Jääkaappi on irrotettava virtalähteestä ennen lisävarusteen asennuksen aloittamista. Varmista, ettei virtajohto jää loukkuun jääkaappiin. Älä astu virtajohdon päälle.



HUOMIO

Päivittäinen käyttö

- > Älä vedä virtajohtosta, kun irrotat jääkaapin pistokkeen pistorasiasta. Tartu pistokkeeseen tukevasti ja vedä se suoraan irti pistorasiasta.
- > Varmistaaksesi turvallisen käytön, älä vahingoita virtajohtoa tai käytä virtajohtoa, jos se on vahingoittunut tai kulunut.
- > Käytä erillistä pistorasiaa, jota ei jaeta muiden sähkölaitteiden kanssa.
- > Pistokkeen tulee olla tukevasti liitetty pistorasiaan muuten seurauksena voi olla tulipalo.
- > Varmista, että pistorasian maadoitus on toteutettu luotettavalla maadoitusjohtimella.
- > Jos haistat kaasua tai muita palavia kaasuja, sulje kaasun syöttöventtiili välittömästi ja avaa ovet ja ikkunat tuulettaaksesi alueen.
- > Kaasuvuodon sattuessa älä irrota jääkaappia pistorasiasta äläkä käytä sähkökytkimiä; kipinä voi sytyttää kaasun ja aiheuttaa tulipalon.
- > Älä käytä laitteen päällä sähkölaitteita, elleivät ne ole valmistajan suosittelemia.
- > Jääkaapin ovien ja jääkaapin rungon väliset raot ovat pienet, älä aseta kättäsi näille alueille, jotta sormesi ei jää puristuksiin. Ole varovainen, kun suljet oven, jotta vältät putoavat tuotteet.
- > Älä nosta elintarvikkeita tai astioita, etenkin metalliastioita, märillä käsillä pakastusosaan laitteen ollessa käynnissä, jotta vältät paleltumat.
- > Älä anna lasten mennä jääkaapin sisälle tai kiivetä sen päälle, muutoin lapsi voi tukehtua tai saada putoamisvamman.
- > Älä aseta painavia esineitä jääkaapin päälle. Ne voivat pudota ovea avattaessa tai suljettaessa ja aiheuttaa vamman.

- > Älä laita syttyviä, räjähtäviä, haihtuvia ja voimakkaasti syövyttäviä aineita jääkaappiin, jotta vältät jääkaapin vahingoittumisen tai tulipalat.
- > Älä aseta syttyviä esineitä laitteen lähelle tulipalojen välttämiseksi.
- > Jääkaappi on tarkoitettu kotitalouskäyttöön, kuten elintarvikkeiden säilytykseen, sitä ei saa käyttää muihin tarkoituksiin, kuten veren, lääkkeiden tai biologisten tuotteiden ym. säilytykseen.
- > Älä säilytä olutta, virvokkeita tai muita pulloissa tai suljetuissa säiliöissä olevia nesteitä pakastimessa, sillä muutoin pullot tai suljetut säiliöt voivat halkeilla jäätyneen vuoksi ja aiheuttaa vahinkoja.



VAROITUS

EU-standardin osalta:

Tätä laitetta saavat käyttää vähintään 8-vuotiaat lapset ja henkilöt, joilla on heikentyneet fyysiset, aistinvaraiset tai henkiset kyvyt tai joilla ei ole riittävästi kokemusta tai tietoa, jos heitä valvotaan tai heitä on opastettu laitteen turvallisessa käytössä, ja jos he ymmärtävät siihen liittyvät vaarat. Lapset eivät saa leikkiä laitteella. Lapset eivät saa puhdistaa tai huoltaa laitetta ilman valvontaa.

Elintarvikkeiden kontaminaation välttämiseksi noudata seuraavia ohjeita:

- Oven avaaminen pitkiksi ajoiksi voi nostaa lämpötilaa merkittävästi laitteen sisällä.
- Puhdista säännöllisesti pinnat, jotka voivat joutua kosketuksiin elintarvikkeiden kanssa kuten myös käsiksi päästävät tyhjennysjärjestelmät.
- Puhdista vesisäiliöt, jos niitä ei ole käytetty 48 tuntiin; huuhtelee vesijohtoverkkoon liitetty vesijärjestelmä, jos vettä ei ole laskettu 5 päivään. **(Huomaa 1)(*)**
- Säilytä raaka liha ja kala sopivissa astioissa jääkaapissa, jotta ne eivät pääse kosketuksiin muiden elintarvikkeiden kanssa eivätkä valuta nesteitä muiden elintarvikkeiden päälle.
- Kahdella tähdellä merkityt pakasteosat soveltuvat valmiiksi pakastettujen elintarvikkeiden säilytykseen, jäätelön säilytykseen tai valmistukseen sekä jääpalojen valmistukseen. **(Huomaa 2)(*)**
- 1 tähden, 2 tähden ja 3 tähden osastot eivät sovellu tuoreiden elintarvikkeiden pakastamiseen. **(huomaa 3)(*)**
- Laitteet, joissa ei ole 4 tähden osastoa: tämä kylmälaite ei sovellu elintarvikkeiden pakastamiseen. **(huomaa 4)(*)**
- Jos pakastin jätetään tyhjäksi pitkäksi aikaa, sammuta, sulata, puhdista, kuivaa ja jätä luukku auki, jotta laitteeseen ei pääse muodostumaan hometta.

Huomaa 1, 2, 3, 4: Varmista, soveltuuko se oman tuotteesi osastotyyppiin.

(*): Tämä ominaisuus riippuu ostetusta mallista.

- "4 tähden" symboli: Pakastinosa on -18 °C tai kylmempi, siinä pystyy pakastamaan nopeasti tietyn määrän elintarvikkeita.
- "3 tähden" symboli: Pakastinosa on -18 °C tai kylmempi.
- "2 tähden" symboli: Pakastinosa on -12 °C tai kylmempi.
- "1 tähden" symboli: Pakastinosan tavoitelämpötila ja säilytysolosuhteet ovat -6 °C.



HUOMIO

Tätä tuotetta ei suositella käytettäväksi sellaisten pistorasioiden tai pääkytkinten kanssa, joissa on AFCI-/GFCI-toiminto. Se voi aiheuttaa väärän laukaisun.

1. Se ei aiheuta turvallisuusvaaraa, kun se laukeaa.
2. Jos laukeaminen toistuu, on suositeltavaa vaihtaa pistorasia tai pääkytkin sellaiseen, jossa ei ole AFCI/GFCI-toimintoa.



VAROITUS

Lapsen kiinnijäämisen vaara. Ennen kuin heität vanhan jääkaapin pois:

- > Irrota ovet.
- > Jätä hyllyt paikoilleen jotta lapset eivät voi helposti kiivetä sisälle.

YMPÄRISTÖNSUOJELU

Vanhojen sähkölaitteiden hävittäminen ympäristöystävällisellä tavalla



Tämä ylivivuton pyörillä varustetun jätteen symboli osoittaa, että sähkö- ja elektroniikkalaiteromu (WEEE) on hävitettävä erillään yhdyskuntajätteestä.

Vanhat sähkötuotteet voivat sisältää vaarallisia aineita, joten vanhan laitteesi asianmukainen hävittäminen auttaa estämään mahdolliset haitalliset vaikutukset ympäristölle ja ihmisten terveydelle. Vanha laitteesi voi sisältää uudelleenkäytettäviä osia, joita voidaan käyttää muiden tuotteiden korjaamiseen, ja muita arvokkaita materiaaleja, jotka voidaan kierrättää rajallisten resurssien säästämiseksi.

⚠ HUOMIO

Laitteessa käytetty kylmäaine ja syklopentaanivaahtoaine ovat syttyviä. Kun jääkaappi romutetaan, se on otettava syystä pidettävä etäällä palonlähteistä ja se on otettava talteen erityisen talteenottoyrityksen toimesta, jolla on asianmukainen pätevyys, eikä sitä saa hävittää polttamalla, jotta vältetään ympäristövahingot tai muut haitat.

Pakkauksen tiedot



Tuotteen pakkausmateriaalit on valmistettu kierrätettävistä materiaaleista kansallisten ympäristösäädösten mukaisesti. Älä hävitä pakkausmateriaaleja kotitalousjätteen tai muun jätteen mukana. Toimita ne paikallisten viranomaisten osoittamiin pakkausmateriaalien keräyspisteisiin.

ASENNUSOHJE

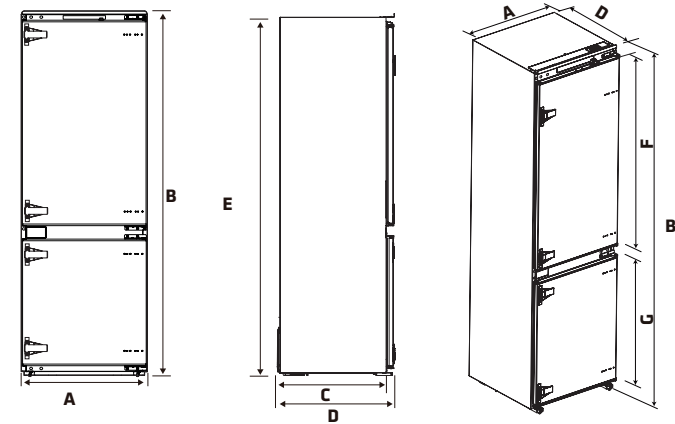
Ennen ensimmäistä käyttökertaa

Poista ulko- ja sisäpakkaus, pyyhi ulkopuoli huolellisesti pehmeällä kuivalla liinalla ja sisäpuoli kostealla, haalealla liinalla.

Ennen kuin liität jääkaapin virtalähteeseen, tarkista, että laitteen arvokilvessä ilmoitettu jännite vastaa kotisi jännitettä. Eri jännite voi vahingoittaa laitetta.

Laitte on maadoitettava. Valmistaja ei ole vastuussa vahingoista, jotka voivat aiheutua käytöstä ilman maadoitusta.

Tilatarvekaavio



A	B	C	D	E	F	G
540	1785	515	550	1770	992	620,5

Huomaa: Kaikki mitat ovat millimetrejä

Ympäristön lämpötila

Ilmastoluokasta riippuen tämä jääkaappi on tarkoitettu käytettäväksi seuraavassa taulukossa määritellyllä ympäristön lämpötila-alueella.

Tuote ei välttämättä toimi kunnolla määritetyn alueen ulkopuolisissa lämpötiloissa.

Ilmastoluokan löydät tuotekilvestä.

Ilmastoluokka	Ympäristön lämpötila
SN	+10 - +32 °C
E	+16 - +32 °C
ST	+16 - +38 °C
T	+16 - +43 °C

Jos sinulla on epäilyksiä asennuksesta, käänny myyjän, asiakaspalvelumme tai lähimmän valtuutetun huoltoliikkeen puoleen.

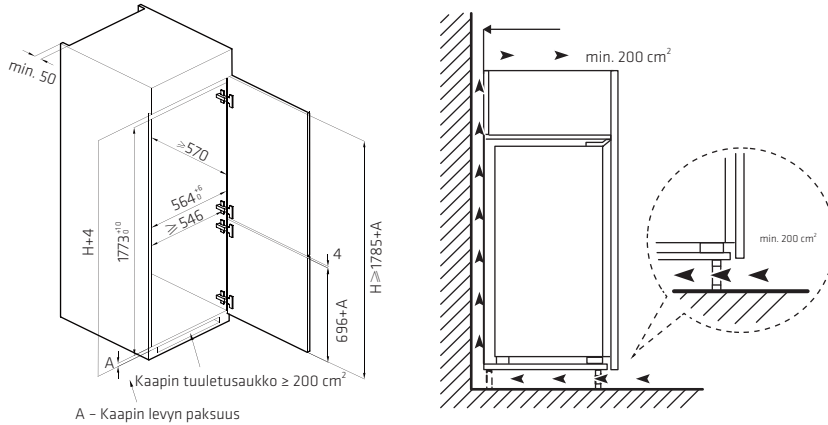
🔦 HUOMAUTUS

Jääkaapin jäädytystehoon ja virrankulutukseen voivat vaikuttaa ympäristön lämpötila, oven avaamistiheys ja jääkaapin sijainti. Suosittelemme lämpötila-asetusten säätämistä tarpeen mukaan.

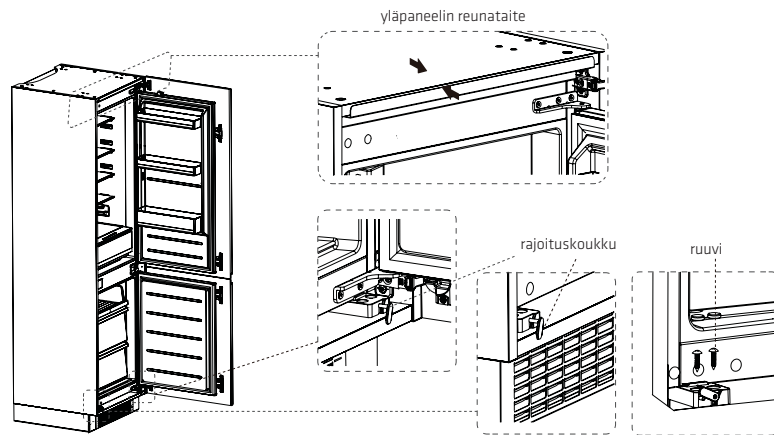
Kaappiin asennus

Vaiheet:

1. Kaapin kokovaatimukset. (Huomaa: kaikki mitat ovat millimetrejä.)

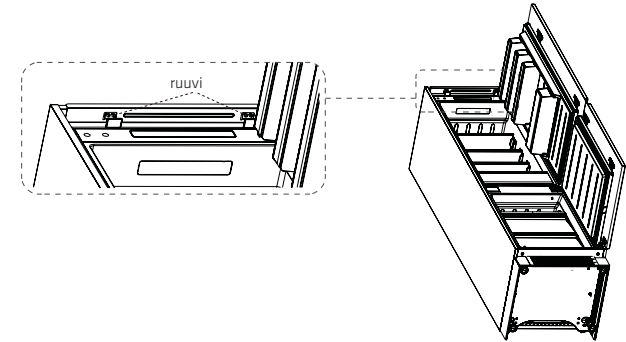


2. Työnnä jääkaappi kaappiin ja säädä se siten, että yläpaneelin reunataite koskettaa täysin kaapin yläreunaa.
3. Tukijalan rajoituskoukkuun tulee koskettaa täysin kaapin alareunaa.

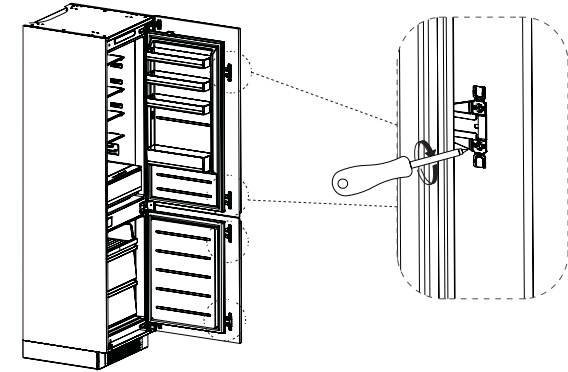


4. Kiinnitä tukijalka ruuveilla ja asenna ruuvien suojahatut.

5. Kiinnitä yläpaneeli kaapin sisäosan yläosaan ruuveilla ja asenna ruuvien suojahatut.



6. Avaa kaapin alaovi maksimikulmaan ja avaa jääkaapin alaovi vastaavaan asentoon. Liu'uta lohkoa niin, että sen sisäreuna on linjassa jääkaapin oven alareunan kanssa, kiinnitä lohko kaapin oveen ruuveilla ja asenna ruuvien suojahatut.
7. Kiinnitä jääkaapin yläovi kaapin oveen samalla tavalla.



8. Poista tiivistenauha lisävarustepussista ja aseta se kaapin ja jääkaapin väliseen rakoön. Asennus on valmis.

HUOMAUTUS

Varoimet ennen asentamista: Käyttöoppaassa olevat tiedot ovat vain viitteellisiä. Todellinen tuote voi olla erilainen. Ennen lisävarusteiden asennusta ja säätämistä on varmistettava, että jääkaappi on irrotettu virtalähteestä.

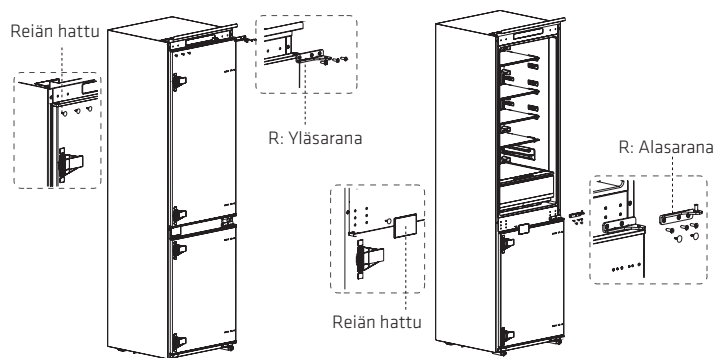
Ovien kääntäminen

Jääkaappiin jo asennetut osat (toimitettaessa):

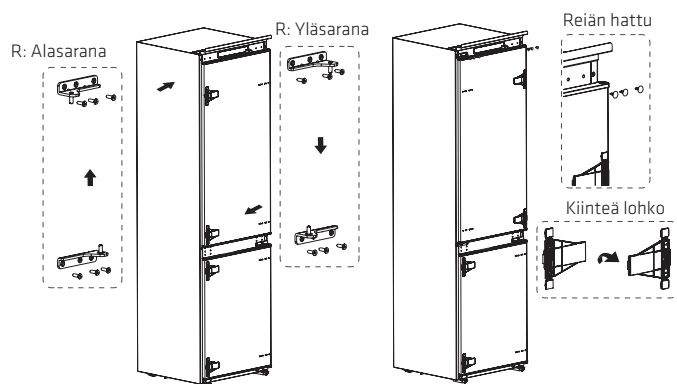


Vaiheet:

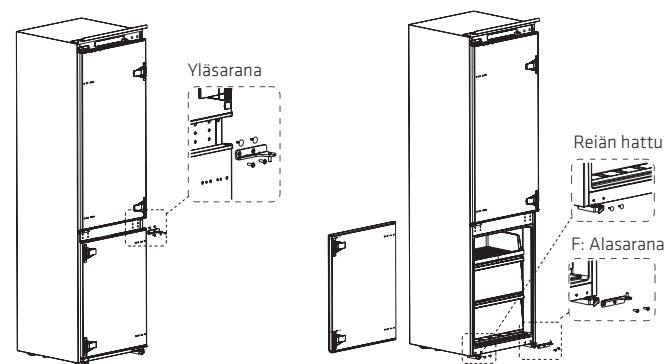
1. Kytke jääkaapin virta pois päältä ja poista kaikki tuotteet ovilokeroista.
2. Irrota jääkaapin oven yläsarana ja peitelevyt.
3. Irrota jääkaapin ovi, alasarana ja peitelevyt.



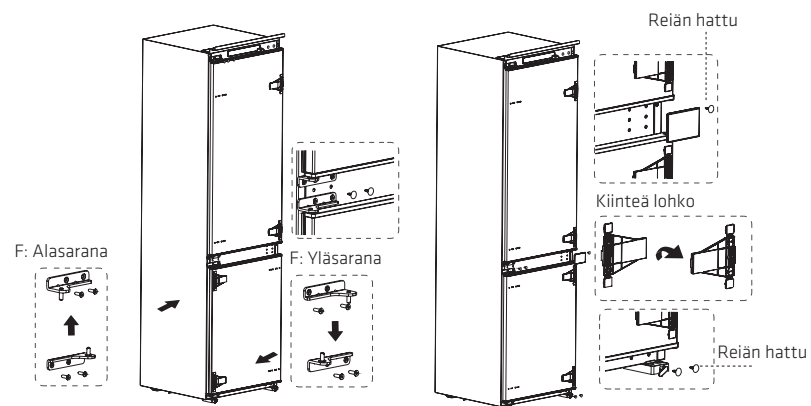
4. Vaihda R: ala- ja R: yläsarana, asenna ne alla olevien ohjeiden mukaisesti ja asenna yläreunan ja alareunan peitelevyt.
5. Irrota jääkaapin oven kaksi kiinteää lohkoa ja käännä niitä 180° ja asenna ne jääkaapin oven toiselle puolelle.



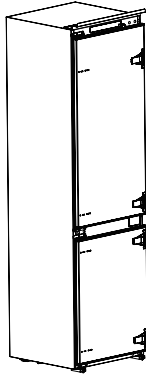
6. Irrota pakastimen oven yläsarana ja tappi.
7. Irrota pakastimen ovi, alasarana ja peitelevyt.



8. Vaihda R: ala- ja R: yläsarana, asenna ne alla olevien ohjeiden mukaisesti ja asenna yläreunan ja alareunan peitelevyt.
9. Irrota pakastimen oven kaksi kiinteää lohkoa ja käännä niitä 180° ja asenna ne pakastimen oven toiselle puolelle.



10. Kuva valmiista asennuksesta on alla.



HUOMAUTUS

Erot: Teknisten muutosten ja erilaisten mallien vuoksi osa tämän käyttöoppaan kuvista saattaa erota omasta mallistasi.

Lampun vaihtaminen

LED-lamppuja saa vaihtaa ja huoltaa vain valmistaja, sen huoltoedustaja tai vastaavasti pätevä henkilö.

Tämä tuote sisältää energiatehokkuusluokan (F) valonlähteen.

Kun laite kytketään ensimmäisen kerran päälle, odota 2-3 tuntia ennen kuin laitot elintarvikkeet laitteeseen. Jos lisäät elintarvikkeet ennen kuin laite on jäähtynyt kokonaan, elintarvikkeet voivat pilaantua.

Laitteen siirtäminen

1. Poista kaikki tuotteet laitteesta.
2. Vedä pistoke irti ja kiinnitä se laitteen takana olevaan pistokkeen koukkuun.
3. Teippaa osat, kuten hyllyt ja ovi, jotta ne eivät putoa, kun laitetta siirretään.
4. Siirrä laitetta kahden henkilön voimin varovasti. Kun kuljetat laitetta pitkän matkan, pidä laite pystyssä.

Energiansäästövinkejä

Älä sijoita laitetta liesien, pattereiden tai muiden lämmönlähteiden läheisyyteen. Jos ympäristön lämpötila on korkea, kompressori käy useammin ja pidempään, jolloin energiankulutus kasvaa.

Varmista, että laitteen alaosassa, sivuilla ja takaosassa on riittävä ilmanvaihto.

Huomioi myös etäisyyttä koskevat mitat asiaa koskevassa luvussa.

Laatikoiden, hyllyjen ja lokeroiden sijoittelu tuotekuvassa esitetyllä tavalla tarjoaa tehokkaimman energiankäytön, ja se tulisi säilyttää mahdollisimman pitkälle.

Isomman säilytystilan saamiseksi keskimäiset laatikot ja hyllyt voidaan poistaa. Ylä- ja alalaatikot ja hyllyt tulee tarvittaessa poistaa viimeisenä.

Tasaisesti täytetty jääkaappi/pakastin edistää optimaalista energiankäyttöä.

Anna lämpimien elintarvikkeiden jäähtyä ennen niiden laittamista jääkaappiin/pakastimeen. Valmiiksi jäähtyneet elintarvikkeet parantavat energiatehokkuutta.

Anna pakastetun ruoan sulaa jääkaappiosastossa. Pakastetun ruoan kylmyys vähentää energiankulutusta jääkaappiosastossa ja parantaa siten energiatehokkuutta.

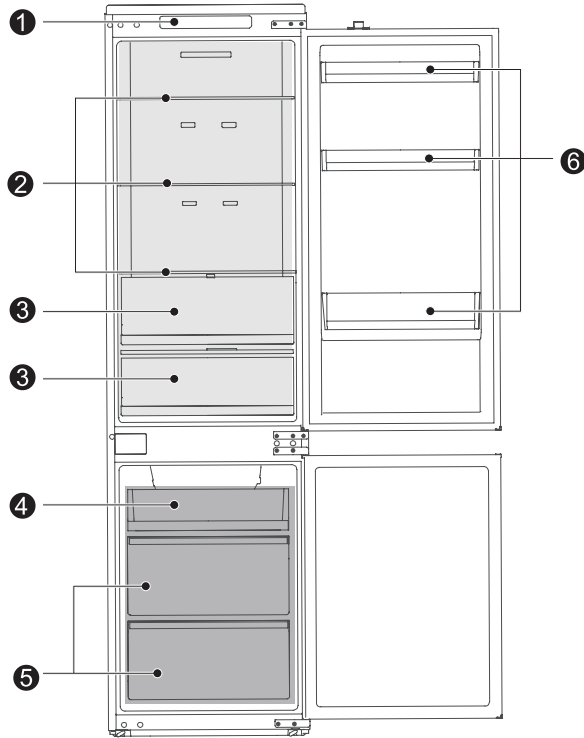
Avaa ovi vain niin lyhyesti kuin on tarpeen kylmähävikin minimoimiseksi. Oven avaaminen lyhyesti ja kunnollinen sulkeminen vähentävät energiankulutusta.

Lämpötilan asettaminen enintään välttämättömään lämpötilaan edistää optimaalista energiankäyttöä.

Laitteen ovitiivisteiden on oltava täysin ehjät, jotta ovet sulkeutuvat kunnolla ja energiankulutus ei lisäännä tarpeettomasti.

TUOTTEEN YLEISKUVAUS

Osat ja toiminnot



- | | | | |
|---|------------------------------|---|----------------|
| 1 | Lämpötilan ohjaus | 4 | Pieni laatikko |
| 2 | Lasihylly | 5 | Iso laatikko |
| 3 | Hedelmä- ja vihanneslaatikko | 6 | Ovilokero |

> Energian mahdollisimman tehokkaan käytön varmistamiseksi pidä kaikki sisäosat, kuten lokerot, laatikot ja hyllyt, valmistajan ilmoittamissa paikoissa.

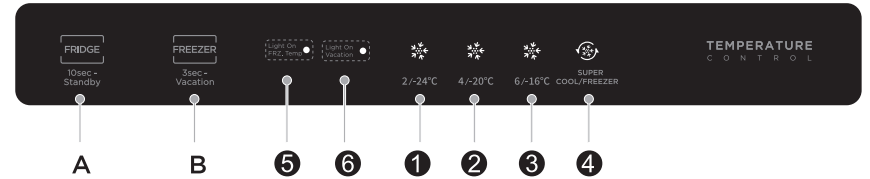
HUOMAUTUS

Erot: Teknisten muutosten ja erilaisten mallien vuoksi osa tämän käyttöoppaan kuvista saattaa erota omasta mallistasi.

KÄYTTÖOHJEET

Käyttö ja toiminnot

Käyttöpaneeli



Painike

A Jääkaappiosan asetus / Valmiustilapainike

B Pakastinosan asetus / Lomatilapainike

Näyttöruutu

1	Asetus 1 (2/-24°C)	3	Asetus 3 (6/-16°C)	5	
2	Asetus 2 (4/-20°C)	4	Asetus 4 (tehojäähdytys / -pakastus)	6	

HUOMAUTUS

Älä käytä teräviä esineitä käyttöpaneelin käyttämiseen. Ne voivat naarmuttaa tai vahingoittaa käyttöpaneeliä.

Näyttö

Kun laite kytketään ensimmäisen kerran päälle, näyttö aktivoituu 3 sekunnin ajaksi, samalla kun käynnistysääni kuuluu, ja sitten näyttö siirtyy normaaliin toimintaan; (ensimmäisen käynnistyksen jälkeen pakastinosaston ja jääkaappiosaston oletusasetuksena on **-20/4 °C**).

Vikailmoitukset

Seuraavat näytöllä näkyvät varoitukset ilmaisevat jääkaapin vastaavia vikoja. Vaikka jääkaappi saattaa edelleen toimia seuraavista vioista huolimatta, käyttäjän on otettava yhteyttä huoltoliikkeeseen huollon järjestämiseksi, jotta jääkaapin normaali toiminta voidaan varmistaa.

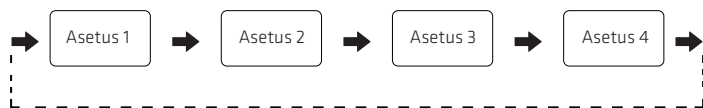
Vikakoodi	Vian kuvaus
LED "5" ja LED "6" vilkkuvat	Pakastimen lämpötila-anturin vika
LED "1" ja LED "6" vilkkuvat	Jääkaapin lämpötila-anturin vika
LED "1" ja LED "2" vilkkuvat	Pakastimen huurreanturin vika
LED "6" ja LED "3" vilkkuvat	Ympäristön lämpötila-anturin vika
LED "1" ja LED "3" vilkkuvat	Tiedonsiirtovika

Lämpötila-asetus

Painamalla asetuspainiketta "A" asetat jääkaappiosan asetuksen.

Painamalla asetuspainiketta "B", ilmaisain "Light On" syttyy pakastinosan asettamiseksi.

Jääkaappi alkaa toimia uuden asetuksen mukaisesti 15 sekunnin kuluttua.



Vinkit:

Mitä alhaisempi asetettu lämpötila on, sitä pidempään voit säilyttää elintarvikkeita turvallisesti ja sitä enemmän jääkaappi kuluttaa sähköä.

Mitä korkeampi asetettu lämpötila on, sitä nopeammin elintarvikkeet pilaantuvat ja sitä vähemmän jääkaappi kuluttaa sähköä.

Tehojäähdytystila

Painamalla asetuspainiketta "A", ilmaisain "Light On" syttyy ja jääkaappiosa siirtyy tehojäähdytystilaan 15 sekunnin kuluttua.

Jääkaappiosa poistuu automaattisesti tehojäähdytystilasta 6 tunnin kuluttua. Voit myös painaa lämpötilan asetuspainiketta A poistuaksesi tehojäähdytystilasta aikaisemmin.

Tehopakastustila

Painamalla asetuspainiketta "B", ilmaisain "Light On" syttyy ja painamalla asetuspainiketta "B" uudelleen ilmaisain "Light On" syttyy ja pakastinosasi siirtyy tehopakastustilaan 15 sekunnin kuluttua.

Pakastinosasi poistuu automaattisesti tehopakastustilasta 40 tunnin kuluttua. Voit myös painaa asetuspainiketta "B" poistuaksesi tehopakastustilasta aikaisemmin.

Suosittellemme ottamaan tehopakastustilan käyttöön 12 tuntia ennen kuin laitat isompia määriä pakastamattomia elintarvikkeita pakastimeen kerralla.

Valmiustila

Painamalla asetuspainiketta "A" 10 sekunnin ajan siirryt valmiustilaan. Jääkaappi lakkaa toimimasta ja näyttö sammuu.

Valmiustilassa voit palauttaa normaalin toiminnan painamalla asetuspainiketta "A" 10 sekunnin ajan.

Lomatila

Painamalla asetuspainiketta "B" 3 sekunnin ajan siirryt lomatilaan, ilmaisain "Light On" syttyy, lomatila alkaa 15 sekunnin kuluttua.

Lomatilassa jääkaappiosa on pois päältä ja pakastinosan asetuksena on -20°C.

Paina lomatilassa asetuspainiketta "A" tai asetuspainiketta "B", ilmaisain "Light On" sammuu ja laite poistuu lomatilasta.

Ovihälytys

Jos ovi ei ole suljettu kahdessa minuutissa, hälytys soi. Paina mitä tahansa painiketta tai sulje ovi pysäyttääksesi hälytyksen.

Elintarvikkeiden säilyttäminen

Pakastin

Pakastin on tarkoitettu elintarvikkeiden pakastamiseen alhaisessa lämpötilassa, pakastettujen elintarvikkeiden pitkäaikaiseen säilytykseen ja jääkuutioiden tekemiseen.

Kiinnitä huomiota pakasteosan tähtiluokituksen (4 tähteä, 3 tähteä, 2 tähteä ja 1 tähti) ja niistä seuraaviin pakastettujen elintarvikkeiden säilytysaikoihin.

Älä laita tuoreita ja pakastettuja elintarvikkeita vierekkäin. Pakastettu ruoka voi sulaa.

Kun pakastat isoja määriä tuoreita elintarvikkeita (kuten lihaa, kalaa tai jauhelihaa), jaa ne useisiin pieniin osiin ennen pakastamista, jotta ne pakastuvat nopeasti ja ovat helposti otettavissa käyttöön.

Noudata elintarvikevalmistajien pakkauksissa suosittelemaa säilytysaikaa. Jos pakkauksessa ei ole tietoa, elintarvikkeita ei saa säilyttää pakastettuina pidempään kuin kolme kuukautta ostopäivästä.

Kun ostat pakasteita, varmista, että niitä on säilytetty sopivassa lämpötilassa ja ettei pakkaus ole vaurioitunut.

Pakastetut elintarvikkeet tulee säilyttää sopivissa yksittäispakkauksissa, jotta viereiset elintarvikkeet eivät pääse saastumaan. Käytä sulaneet tai sulatetut elintarvikkeet välittömästi, älä pakasta niitä uudelleen.

Pitkäaikaisen sähkökatkon tai laitteen toimintahäiriön sattuessa poista säilytettävät pakasteet ja tarkista, ovatko ne vielä syötäviä, ja säilytä ne sitten riittävän viileässä paikassa tai toisessa laitteessa.

Elintarvikkeet voi sulattaa ottamalla ne pois pakastinosasta ja jättämällä ne sulamaan huoneenlämpöön tai jääkaappiosaan. Voit sulattaa elintarvikkeet nopeasti käyttämällä esimerkiksi mikroaaltouunin sulatustoimintoa.

Jos haluat sulattaa vain osan pakkauksesta, ota siitä haluamasi annos ja sulje välittömästi loput pakkauksesta. Tällä tavalla vältät "jääpoltteen" ja vähennät jääkiteiden muodostumista jäljellä oleviin elintarvikkeisiin.

Jääkaappi

Kosteuden ja siitä seuraavan jään kertymisen vähentämiseksi älä koskaan laita nestettä jääkaappiosastoon avaamattomissa astioissa. Huurteella on taipumus kerääntyä höyrystimen viileimpiin osiin. Peittämättömien nesteiden säilyttäminen aiheuttaa tiheämmän sulatustarpeen.

Älä koskaan laita lämpimiä ruokia jääkaappiosastoon. Niiden tulee ensin jäähtyä huoneenlämpöiseksi ja sitten ne on sijoitettava niin, että riittää ilmankierto jääkaappiosassa varmistetaan.

Elintarvikkeet tai ruoka-astiat eivät saa koskettaa jääkaappiosan takaseinää, koska ne voivat jäätyä seinään kiinni. Älä avaa jääkaappin ovea jatkuvasti.

Jääkaappiosaan voidaan laittaa lihaa ja puhdasta kalaa (pakattuna pakettiin tai muovikelmuun), jotka käytetään 1–2 päivän kuluessa.

Pakkaamattomat hedelmät ja vihannekset voidaan sijoittaa tuoreille hedelmille ja vihanneksille tarkoitettuun laatikkoon.

HUOMAUTUS

Liian ison elintarvikemäärän säilyttäminen käytön aikana ensimmäisen virran kytkemiskerran jälkeen voi vaikuttaa haitallisesti laitteen pakastustehoon.

Säilytysajat ja lämpötilat

Huomautus: Liian pitkä säilytys tai säilyttäminen sopimattomassa pakastuslämpötilassa voi aiheuttaa laadun heikkenemistä tai elintarvikkeiden pilaantumisen, mikä aiheuttaa ruokahävikkiä, syömäkelvottomuuden ja mahdollisen ruokamyrkytyksen. Vähimmäislämpötilan tulisi useimmissa tapauksissa olla -18 °C tai kylmempi. Noudata alla olevia suositeltuja enimmäissäilytysaikoja:

- > Padat, jäätelö, makkarat, leipä: 2–6 kuukautta.
- > Kala, katkaravut, lammas, liha: 4–8 kuukautta.
- > Vihannekset, hedelmät, siipikarja, naudanliha: 6–12 kuukautta.

KUNNOSSAPITO JA PUHDISTUS

⚠️ HUOMIO

Irrota laite sähköverkosta ennen rutiinikunnossapitotoimia. Odota vähintään 5 minuuttia ennen kuin käynnistät laitteen uudelleen, sillä usein toistuva käynnistäminen voi vahingoittaa kompressoria.

Pidä kiinni pistokkeesta, älä johdosta, kun irrotat laitteen pistorasiasta.

Älä raaputa huurretta ja jäätä terävillä esineillä. Älä käytä suihkeita, sähkölämmittimiä, kuten lämmitintä, hiustenkuivaajaa, höyrypesuria tai muita lämmönlähteitä, jotta vältät muoviosien vaurioitumisen.

Poista pöly laitteen takaa vähintään kerran vuodessa, jotta vältät tulipalovaaran sekä lisääntyneen energiankulutuksen.

Tarkista oven tiiviste säännöllisesti roskien varalta. Puhdista oven tiiviste pehmeällä liinalla, joka on kostutettu saippuaveteen tai laimeaan pesuaineeseen.

Laitteen sisätilat on puhdistettava säännöllisesti hajujen välttämiseksi.

Puhdista laitteen sisäpuoli pehmeällä liinalla tai sienellä. Käytä seosta, jossa on kaksi ruokalusikallista ruokasoodaa ja litra lämmintä vettä. Huuhtelee sitten vedellä ja pyyhi puhtaaksi. Puhdistuksen jälkeen avaa ovi ja anna jääkaapin kuivua luonnollisesti ennen virran kytkemistä päälle.

Laitteen vaikeasti puhdistettavat alueet (kuten kapeat raot, aukot tai kulmat) on suositeltavaa pyyhkiä säännöllisesti pehmeällä liinalla, pehmeällä harjalla tms. ja tarvittaessa yhdistettynä joihinkin apuvälineisiin (kuten ohuisiin varsiin), jotta varmistetaan, ettei näille alueille kerry epäpuhtauksia tai bakteereja.

Älä käytä saippuaa, pesuainetta, hankaavaa puhdistusainetta, suihkepuhdistusainetta jne., koska ne voivat jättää hajua laitteen sisälle tai pilata elintarvikkeet.

Pyyhi laitteen ulkopinta pehmeällä liinalla, joka on kostutettu saippuaveteen, pesuaineeseen tms. ja pyyhi sitten kuivaksi.

Älä käytä kovia harjoja, teräspalloja, teräsharjoja, hankausaineita (kuten hammastahnoja), orgaanisia liuottimia (kuten alkoholia, asetonia, isoamyylisetaattia tms.), kiehuvaa vettä, happamia tai emäksisiä aineita, jotka voivat vahingoittaa laitteen pintaa ja sisäosia. Kiehuva vesi ja orgaaniset liuottimet, kuten bentseeni, voivat muuttaa muoviosia tai vahingoittaa niitä.



Älä huuhtelee suoraan vedellä tai muilla nesteillä puhdistuksen aikana, jotta vältät oikosulut tai sähköeristyksen vahingoittumisen.

💡 HUOMAUTUS

Anna laitteen käydä jatkuvasti, kun se on käynnistetty. Yleisesti ottaen laitteen toiminnan keskeyttäminen tulee välttää, muuten sen käyttöikä voi lyhentyä.

Sulatus

Vaikka laite sulattaa automaattisesti, huurrekerros voi syntyä pakastinosan sisäseiniin, jos pakastelokeron luukku avataan toistuvasti tai sitä pidetään liian pitkään auki. Jos huurretta on paksumi, valitse aika, jolloin elintarvikkeita on vähän ja toimi seuraavasti:

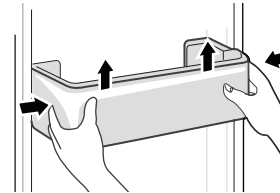
1. Poista olemassa olevat elintarvikkeet ja kaikki lisävarusteet, irrota laitteen pistoke pistorasiasta ja jätä ovet auki. Tuuleta tila kauttaaltaan nopeuttamaan sulatustoimenpidettä.
2. Kun sulatus on päättynyt, puhdista laite edellä kuvatulla tavalla.

HUOMIO! Älä käytä teräviä esineitä huurteen poistamiseen laitteesta. Laite tulee liittää takaisin pistorasiiaan ja kytkeä päälle vasta, kun sisäpuoli on kuivunut kokonaan.

Ovilokeron puhdistaminen

Purista lokeroa molemmin käsin alla olevan kuvan suuntanuolen mukaisesti ja työnnä sitä ylöspäin, sitten voit vetää sen pois.

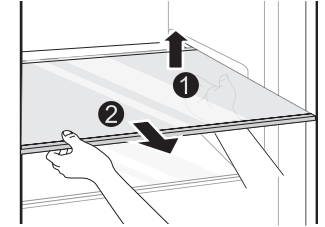
Lokeron pesun jälkeen voit säätää sen asennuskorkeutta tarpeidesi mukaan.



Lasihyllyn puhdistaminen

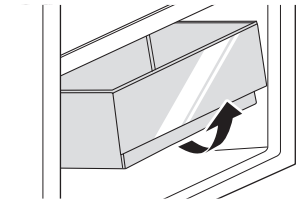
Koska jääkaapin sisimmässä osassa, hyllyjen kosketuskohdissa on rajoitinlistat, sinun on nostettava hyllyjä ylöspäin, jotta voit vetää ne ulos laitteesta.

Säädä tai puhdista hyllyt tarpeen mukaan.



Vihanneslaatikon puhdistaminen

Poista laatikon sisältö. Tartu vihanneslaatikon kahvaan ja vedä sitä ulos, kunnes se pysähtyy. Nosta vihanneslaatikkoa ylöspäin ja poista se vetämällä ulos.



💡 HUOMAUTUS

Erot: Teknisten muutosten ja erilaisten mallien vuoksi osa tämän käyttöoppaan kuvista saattaa erota omasta mallistasi.

VIANMÄÄRITYS

Käyttäjää voi ratkaista seuraavat yksinkertaiset ongelmat itse. Jos ongelmat eivät ratkea, ota yhteyttä huoltoliikkeeseen.

Ongelma	Mahdolliset syyt	Ratkaisu
Ei toimi	<ul style="list-style-type: none"> Virtalähde ei ole päällä tai pistoketta ei ole liitetty kunnolla. Alhainen jännite, virtakatkos tai virtapiiri on lauennut. 	<ul style="list-style-type: none"> Työnnä virtapistoke kunnolla liitintään. Tarkista kotisi virtalähde.
Valo ei pala	<ul style="list-style-type: none"> Laitetta ei ole liitetty virtalähteeseen. Valo on rikki. 	<ul style="list-style-type: none"> Irrota virtajohto ja yhdistä uudelleen. Pätevän henkilön on vaihdettava lamppu uuteen.
Hedelmät tai vihannekset ovat jässä	<ul style="list-style-type: none"> Oletko laittanut elintarvikkeet jääkaappiosan takaosaan? Takaseinän lähellä olevalla alueella lämpötilat ovat kylmimmät. 	<ul style="list-style-type: none"> Älä laita helposti jäätyviä elintarvikkeita jääkaappin takaosaan.
Jääkaappi-/pakastinosaa jäähtyy liikaa	<ul style="list-style-type: none"> Lämpötilan säätöä ei ole asetettu oikein. 	<ul style="list-style-type: none"> Aseta lämpötila korkeammaksi.
Kompressorin toimii pitkään	<ul style="list-style-type: none"> Korkea ympäristön lämpötila aiheuttaa pitkän toiminta-ajan. On laitettu liian paljon elintarvikkeita kerralla. Elintarvikkeet laitettiin sisälle ennen kuin ne olivat jäähtyneet. Ovea on avattu liian usein. Sisällä oleva huurrekerros on liian paksu. 	<ul style="list-style-type: none"> Tämä on normaalia. Älä laita liian paljon elintarvikkeita kerralla. Odota elintarvikkeiden jäähtymistä ennen kuin laitat ne sisälle. Älä avaa ovea liian usein. Vaatii sulatusta.
Ovi ei sulkeudu kunnolla	<ul style="list-style-type: none"> Ovi juuttuu tavaroiden takia. Liian paljon elintarvikkeita. Oven tiiviste epämuodostunut. 	<ul style="list-style-type: none"> Järjestä elintarvikkeet uudelleen jääkaappiin. Älä laita liian paljon elintarvikkeita. Lämmitä oven tiivistettä ja jäähdytä se kimmoisuuden palauttamiseksi (käytä sähköpuhallinta tai kuumaa vettä lämmittämiseen).
Ulkoseinä on kuuma	<ul style="list-style-type: none"> Kun laite on toiminnassa, lämpöä haihtuu ulos kaapin sisällä olevien metalliputkien kautta. Korkeammat ympäristön lämpötilat kesällä nostavat ulkoseinän lämpötilaa. 	<ul style="list-style-type: none"> Ulkoseinän korkeampi lämpötila on normaalia. Lisää lämmön haihtumistilaa tai aseta laite ilmastoituun ja viileään paikkaan.
Poikittaiset tai pystysuorat palkit ovat kuumia	<ul style="list-style-type: none"> Palkkien sisällä on metalliputkia, ja putkista vapautuva lämpö estää kondenssin muodostumisen. 	<ul style="list-style-type: none"> Tämä on normaalia.
Hajut	<ul style="list-style-type: none"> Pilaantuneet elintarvikkeet. Voimakkaan hajuiset elintarvikkeet. Kaapin sisätila on liikainen. 	<ul style="list-style-type: none"> Puhdista ja poista kaikki pilaantuneet elintarvikkeet. Varmista, että voimakkaasti tuoksuvat elintarvikkeet on pakattu ilmatiiviisti. Puhdista kaapin sisätila.
Kondensaatiota muodostuu ulkopintaan	<ul style="list-style-type: none"> Kondensaatiota voi muodostua, kun huoneen kosteus on korkea. 	<ul style="list-style-type: none"> Tämä on normaalia. Pyyhi kondenssivesi pois kuivalla liinalla.
Kondensaatiota muodostuu jääkaappi-/pakastinosan sisälle	<ul style="list-style-type: none"> Jääkaappilokerossa ylläpidetään korkeaa ilmankosteutta, jotta vihannekset ja muut elintarvikkeet pysyvät tuoreina. Huoneen ilmankosteus on liian korkea ja ovi on avattu usein. Oven tiiviste ei ole tiivis. 	<ul style="list-style-type: none"> Pyyhi kondenssivesi pois kuivalla liinalla. Älä avaa ovea niin usein tai pidä niitä auki liian kauan. Tarkista oven tiiviste, puhdista tai korjaa sijainti.

Jääkaapin normaalin käytön aikana voi kuulua tiettyjä ääniä, jotka eivät vaikuta sen oikeaan toimintaan.

Äänet, jotka voidaan helposti estää:

- > Melu, joka johtuu siitä, että laite ei ole vaakasuorassa – säädä asento käännettävillä etujaloilla. Vaihtoehtoisesti aseta pehmeästä materiaalista valmistetut tynnyt takarullien alle, erityisesti jos laite asetetaan laattojen päälle.
- > Viereisen huonekalun koskettaminen – siirrä jääkaappi kauemmas.
- > Laatikoiden tai hyllyjen narina – ota laatikko tai hylly ulos ja laita se takaisin.
- > Pullojen kilinän äänet – siirrä pulloet erilleen.

Normaalin käytön aikana kuuluvat äänet johtuvat pääasiassa kompressorin toiminnasta (kytkettyminen päälle) ja jäähdytysjärjestelmän toiminnasta (jäähdytysaineen virtauksen aiheuttama jäähdyttimen lämpölaajeneminen ja supistuminen).

LIITE

Erityisesti uutta eurooppalaista standardia varten

Seuraavan taulukon tilattavat osat ovat saatavissa huoltoliikkeen kautta.

Tilattava osa	Toimittaja	Toimitukseen tarvittava vähimmäisaika
Termostaatit	Ammattitaitoinen huoltohenkilöstö	Vähintään 7 vuotta siitä, kun viimeinen malli on tuotu markkinoille
Lämpötila-anturit	Ammattitaitoinen huoltohenkilöstö	Vähintään 7 vuotta siitä, kun viimeinen malli on tuotu markkinoille
Painetut piirilevyt	Ammattitaitoinen huoltohenkilöstö	Vähintään 7 vuotta siitä, kun viimeinen malli on tuotu markkinoille
Valonlähteet	Ammattitaitoinen huoltohenkilöstö	Vähintään 7 vuotta siitä, kun viimeinen malli on tuotu markkinoille
Oven saranat	Ammattimaiset korjaajat ja loppukäyttäjät	Vähintään 7 vuotta siitä, kun viimeinen malli on tuotu markkinoille
Lokerot	Ammattimaiset korjaajat ja loppukäyttäjät	Vähintään 7 vuotta siitä, kun viimeinen malli on tuotu markkinoille
Korit	Ammattimaiset korjaajat ja loppukäyttäjät	Vähintään 7 vuotta siitä, kun viimeinen malli on tuotu markkinoille
Oven tiivisteet	Ammattimaiset korjaajat ja loppukäyttäjät	Vähintään 10 vuotta siitä, kun viimeinen malli on tuotu markkinoille

HUOMAUTUS

Tuotetietokannan mallitiedot sekä mallitunnus ovat saatavilla verkkolinkistä, joka skannataan energiamerkinnässä olevalla QR-koodilla.

Lisätietoja laitteen energiatehokkuudesta on osoitteessa <https://eprel.ec.europa.eu>, jossa voit tehdä haun mallinimen perusteella. Mallinimi löytyy laitteen arvokilvestä.

TEKNISET TIEDOT:

Malli: POCRI5177DN

Ilmastoluokka: SN, N, ST, T

Nimellisjännite: 220–240 V~

Nimellistaajuus: 50 Hz

Kylmäaine: R600a (30 g)

Melu: 35 dB (B-luokka)

Power International AS,
PO Box 523, N-1471 Lørenskog, Norway

Power Norjassa:
<https://www.power.no/kundeservice/>
P: 21 00 40 00

Power Tanskassa:
<https://www.power.dk/kundeservice/>
P: 70 33 80 80

Punkt 1 Tanskassa:
<https://www.punkt1.dk/kundeservice/>
P: 70 70 17 07





Power Suomessa:
<https://www.power.fi/tuki/asiakaspalvelu/>
P: 0305 0305

Power Ruotsissa:
<https://www.power.se/kundeservice/>
P: 08 517 66 000

Læs følgende råd om sikkerhed, før du tænder apparatet første gang!

- > Apparatet er beregnet til husholdningsbrug eller lignende anvendelse såsom personalekøkkener i butikker, kontorer og andre arbejdsmiljøer, landbrugsejendomme og af gæster på hoteller, moteller og andre beboelsesejendomme, gæsteboliger og pensionater, cateringvirksomheder og lignende anvendelse uden for detailområdet.
- > Apparatet er ikke beregnet til brug af personer (herunder børn) med nedsatte fysiske, sensoriske eller mentale evner, eller som mangler erfaring og viden, medmindre de er under opsyn eller har modtaget undervisning i brugen af apparatet af en person, der er ansvarlig for deres sikkerhed.

Forklaring af ord og symboler

	FARE Signalordet angiver, at der er fare for personers liv og helbred på grund af ekstremt brandfarlig gas.
	ADVARSEL Signalordet angiver en fare med en mellemhøj risiko, som kan medføre død eller alvorlig personskade, hvis den ikke undgås.
	FORSIGTIG Signalordet angiver en fare med en lav risiko, som kan medføre mindre eller moderat personskade, hvis den ikke undgås.
	OBS Signalordet angiver vigtige oplysninger (såsom om skade på ejendom) men ikke om fare.

VIGTIGT: Vær især opmærksom på beskeder, der indeholder ordene **FARE**, **ADVARSEL** eller **FORSIGTIG**. Disse ord bruges til at henlede din opmærksomhed på en mulig fare, der kan skade dig og andre alvorligt.

Vejledningen beskriver, hvordan du kan reducere risikoen for personskade, og oplyser dig om konsekvenserne ved ikke at følge vejledningen.

OBS! Denne betjeningsvejledning er generel. Dette betyder, at nogle funktioner gælder for dit køleskab, mens andre ikke gør.

Vi udvikler og forbedrer løbende vores apparattyper og modeller. Vi forbeholder os derfor ret til at foretage ændringer af design, udstyr og tilbehør for alle typer og modeller uden forudgående varsel.

VIGTIGE SIKKERHEDSANVISNINGER

LÆS OG GEM DISSE ANVISNINGER!



ADVARSEL: Risiko for brand/brændbare materialer

Kølemidlet og cyklopentan-skummetallet, der anvendes i apparatet, er brændbare. Når apparatet kasseres, skal det derfor holdes væk fra brandkilder og genindvindes af en speciel genindvindingsvirksomhed med relevante kvalifikationer. Det må ikke bortskaffes ved forbrænding for at undgå skade på miljøet eller anden skade.



ADVARSEL

Generel sikkerhed

- > Børn skal være under opsyn for at sikre, at de ikke leger med apparatet.
- > Hvis ledningen beskadiges, skal den udskiftes af producenten eller dennes servicetekniker eller en tilsvarende kvalificeret person, så der ikke opstår farlige situationer.
- > Opbevar ikke eksplosive materialer såsom aerosoldåser med brændbar drivgas i apparatet.
- > Træk ledningen til apparatet ud af stikkontakten før brugervedligeholdelse på apparatet.
- > **ADVARSEL:** Sørg for at holde ventilationsåbninger på apparatet eller i indbygningselementer fri for forhindringer.
- > **ADVARSEL:** Brug ikke mekaniske redskaber eller andre midler til at fremskynde afrimningen, medmindre de er anbefalet af producenten.
- > **ADVARSEL:** Undgå at beskadige kredsløbet til kølemiddel.
- > **ADVARSEL:** Brug ikke elektriske apparater i rummene til opbevaring af madvarer i apparatet, medmindre de er af en type, der er anbefalet af producenten.
- > **ADVARSEL:** Bortskaf køleskabet i henhold til lokale bestemmelser, da det indeholder brændbar gas og brændbart kølemiddel.
- > **ADVARSEL:** Sørg for, at ledningen ikke kommer i klemme eller beskadiges, når du placerer apparatet.
- > **ADVARSEL:** Placer ikke stikdåser med flere stik eller bærbare strømforsyninger bag apparatet.
- > Brug ikke forlængerledninger eller adaptere uden jordforbindelse (to ben).
- > Apparatet skal fastgøres i henhold til vejledningen for at undgå fare på grund af ustabilitet.
- > Køleskabet skal afbrydes fra strømforsyningen, før der installeres tilbehør. Sørg for, at ledningen ikke klemmes af køleskabet. Træd ikke på ledningen.

FORSIGTIG

Daglig brug

- > Træk ikke i ledningen til køleskabet, når du trækker stikket ud af stikkontakten. Hold fast i stikket, og træk det direkte ud af stikkontakten.
- > Gør ikke skade på ledningen, og brug ikke en beskadiget eller slidt ledning af sikkerhedsmæssige årsager.
- > Brug en separat stikkontakt, der ikke deles med andre elektriske apparater.
- > Forbindelsen mellem stikket og stikkontakten skal være ordentlig. Ellers kan der opstå brand.
- > Kontrollér, at stikkontaktens jordledningselektrode er udstyret med en pålidelig jordforbindelsesledning.
- > Hvis du lugter gas eller andre brandfarlige gasser, skal du straks lukke for gastilførselsventilen og åbne døre og vinduer for at ventilere området.
- > I tilfælde af en gaslækage må du ikke trække stikket til køleskabet ud eller betjene nogen elektriske kontakter; gnisten kan antænde gassen og forårsage en brand.
- > Brug ikke elapparater oven på køleskabet, medmindre de er af en type, der anbefales af producenten.
- > Mellemrummet mellem køleskabsdørene og køleskabskabinettet er lille. Stik ikke din hånd ind i disse mellemrum for at undgå at klemme fingrene. Vær forsigtig, når du lukker køleskabsdøren for at undgå, at genstande falder ned.
- > Tag ikke madvarer eller beholdere (især metalbeholdere) ud af fryserummet med våde hænder, når køleskabet kører, for at undgå forfrysninger.
- > Lad ikke børn kravle ind i eller op på køleskabet. Det kan medføre kvælning eller personskade på barnet ved fald.
- > Placer ikke tunge genstande oven på køleskabet, da de kan falde ned og forårsage personskade ved et uheld, når døren åbnes eller lukkes.
- > Læg ikke brandfarlige, eksplosive, ustabile og stærkt ætsende genstande i køleskabet for at forhindre skader på køleskabet eller brand.
- > Placer ikke brandfarlige genstande i nærheden af køleskabet for at undgå brand.
- > Køleskabet er beregnet til husholdningsbrug såsom opbevaring af madvarer. Det må ikke bruges til andre formål såsom opbevaring af blod, medicin, biologiske produkter osv.
- > Opbevar ikke øl, drikkevarer eller andre væsker i flasker eller lukkede beholdere i fryserummet i køleskabet. Det kan medføre, at flaskerne eller de lukkede beholdere revner på grund af frysning og forårsager skader.

ADVARSEL

For EU-standard:


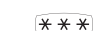


Apparatet må bruges af børn på 8 år eller derover og personer med reducerede fysiske, sensoriske eller mentale evner, eller som mangler erfaring og viden, hvis de er under opsyn eller har modtaget undervisning i sikker brug af apparatet og forstår de involverede farer. Børn må ikke lege med apparatet. Børn må kun udføre rengøring og brugervedligeholdelse under opsyn.

Overhold følgende anvisninger for at undgå forurening af madvarer:

- Åbning af låget i længere perioder kan medføre en betydelig forøgelse af temperaturen i apparatets rum.
- Rengør regelmæssigt overflader, der kan komme i kontakt med madvarer, og tilgængelige afløbssystemer.
- Rengør vandbeholdere, hvis de ikke har været anvendt i 48 timer. Skyl vandsystemet tilsluttet en vandforsyning, hvis der ikke er tappet vand i fem dage. **(Bemærkning 1)(*)**
- Opbevar råt kød og fisk i egnede beholdere i køleskabet for at undgå kontakt med eller dryp på andre madvarer.
- Rum med to stjerner til frosne madvarer er egnede til opbevaring af allerede frosne madvarer, opbevaring eller tilberedning af is og frysning af isterninger. **(Bemærkning 2)(*)**
- Rum med henholdsvis en, to eller tre stjerner er ikke egnede til indfrysning af friske madvarer. **(Bemærkning 3)(*)**
- Hvad angår apparater uden et rum med 4 stjerner: Køleskabet er ikke egnet til nedfrysning af madvarer. **(Bemærkning 4)(*)**
- Hvis apparatet står tomt i en længere periode, skal du slukke apparatet, afrime, rengøre og aftørre apparatet samt lade låget stå åbent for at forhindre dannelse af mug i apparatet.

Bemærkning 1, 2, 3, 4: Kontrollér, om dette gælder for rumtypen i dit produkt.

(*) Funktion varierer afhængigt af den købte model.

-  Symbolet "4 stjerner": Fryserum ved -18 °C eller koldere. Rummet kan bruges til hurtig nedfrysning af en vis mængde madvarer.
-  Symbolet "3 stjerner": Fryserum på -18 °C eller koldere.
-  Symbolet "2 stjerner": Fryserum på -12 °C eller koldere.
-  Symbolet "1 stjerne": Fryserum med en målteperatur og opbevaringsforhold på -6 °C.

FORSIGTIG

Det anbefales ikke at bruge produktet med stikkontakter eller hovedafbryder med beskyttelse mod brand/elektrisk stød (AFCI-/GFCI-funktion). Ellers kan det medføre fejlagtig udløsning af beskyttelsen.

1. Udløsning udgør ingen sikkerhedsrisiko.
2. Hvis udløsningen fortsætter, anbefales det at udskifte stikkontakten eller hovedafbryderen med en stikkontakt eller hovedafbryder uden beskyttelse mod brand/elektrisk stød (AFCI-/GFCI-funktion).

ADVARSEL

Risiko for indespærring af børn. Før du kasserer din gamle køler:

- > Fjern alle døre.
- > Lad hyldeerne sidde for at gøre det svært for børn at kravle ind i køleren.

MILJØBESKYTTELSE

Bortskaffelse af gamle elektriske enheder på en miljøvenlig måde



Symbolet med en overstreget skraldespand angiver, at affald af elektrisk og elektronisk udstyr (WEEE) skal bortskaffes adskilt fra almindeligt husholdningsaffald.

Gamle elektriske produkter kan indeholde farlige stoffer, så når du bortskaffer dit gamle apparat på korrekt vis, hjælper du med at forhindre mulige negative konsekvenser for miljøet og menneskers sundhed. Dit gamle apparat kan indeholde genanvendelige dele, der kan bruges til at reparere andre produkter, og andre værdifulde materialer, der kan genbruges og derved bevare begrænsede ressourcer.

⚠ FORSIGTIG

Kølemidlet og cyklopentan-skummaterialer, der anvendes i apparatet, er brændbare. Når køleskabet kasseres, skal det derfor holdes væk fra brandkilder og genindvindes af en speciel genindvindingsvirksomhed med relevante kvalifikationer. Det må ikke bortskaffes ved forbrænding for at undgå skade på miljøet eller anden skade.

Oplysninger om emballage



Produktets emballage er fremstillet af materialer, der kan genbruges i overensstemmelse med vores nationale miljøbestemmelser. Bortskaf ikke emballagen sammen med almindeligt husholdningsaffald eller andet affald. Aflever emballagen til et indsamlingssted for emballage udpeget af de lokale myndigheder.

INSTALLATIONSVEJLEDNING

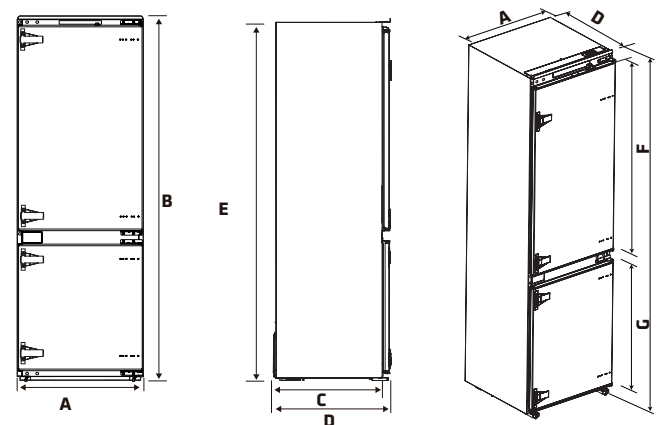
Før første brug

Fjern den udvendige og indvendige emballage. Tør køleskabet grundigt af udvendigt med en blød, tør klud og indvendigt med en våd, lunken klud.

Kontrollér, at spændingen på typeskiltet på apparatet svarer til spændingen i din bolig, før du slutter køleskabet til strømforsyningen. En anden spænding kan beskadige apparatet.

Apparatet skal tilsluttes en jordforbindelse. Producenten er ikke ansvarlig for eventuelle skader, der opstår som følge af brug uden jordforbindelse.

Diagram over pladskrav



A	B	C	D	E	F	G
540	1785	515	550	1770	992	620,5

Bemærk: Alle mål er i mm

Rumtemperatur

Køleskabet er beregnet til brug i et temperaturinterval som angivet i følgende tabel, afhængigt af klimaklasse.

Produktet fungerer muligvis ikke korrekt ved temperaturer uden for det angivne interval.

Du kan finde klimaklassen på produktets mærkat.

Klimaklasse	Rumtemperatur
SN	+10 °C til +32 °C
N	+16 °C til +32 °C
ST	+16 °C til +38 °C
T	+16 °C til +43 °C

Ret henvendelse til sælgeren, vores kundeservice eller til det nærmeste autoriserede servicecenter, hvis du har spørgsmål om installationen.

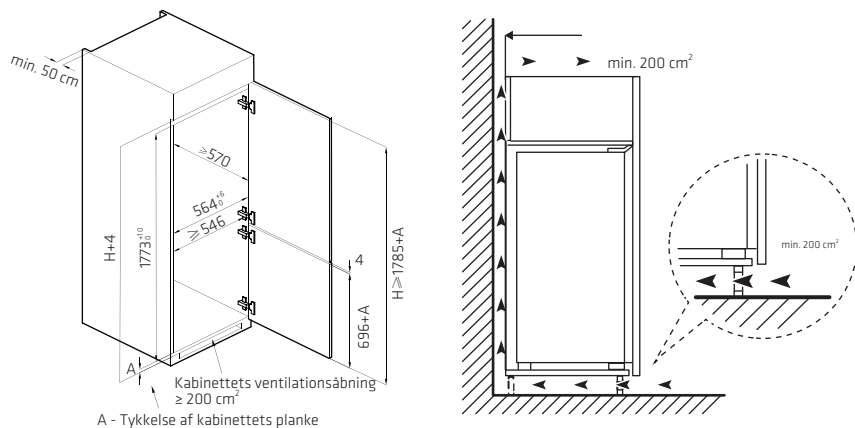


Køledelsen og energiforbruget for køleskabet kan muligvis påvirkes af rumtemperaturen, hyppig åbning af døren og køleskabets placering. Vi anbefaler at justere temperaturindstillingen efter behov.

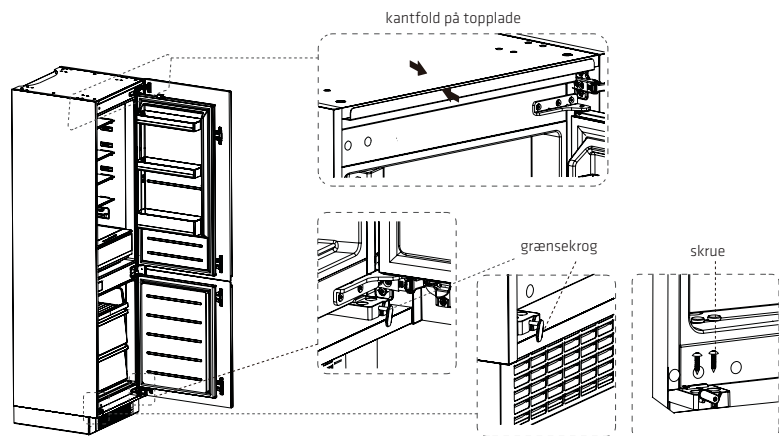
Installation i kabinettet

Trin:

1. Krav til kabinetstørrelse. (Bemærk: alle mål er i mm).

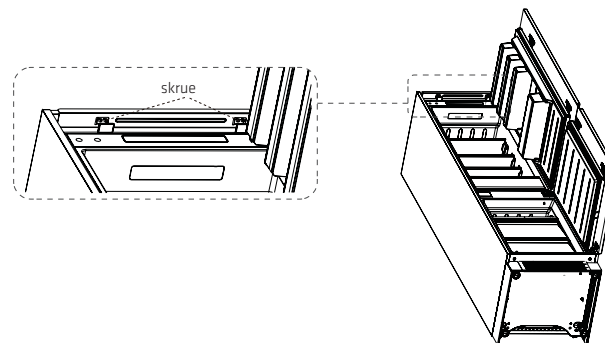


2. Skub køleskabet ind i kabinettet, og juster det for at sikre, at kantfolden på toppladen rører kabinetets overkant helt.
3. Grænsekrogen på støttebenet rører helt kabinetets underkant.

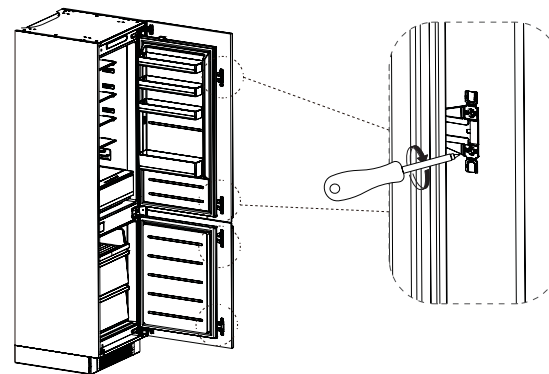


4. Fastgør støttebenet med skruer, og installer derefter skruehætterne.

5. Fastgør toppladen til toppen af kabinettet med skruer, og installer derefter skruehætterne.



6. Åbn kabinettets nederste dør til maksimummet, og åbn køleskabets nederste dør til den tilhørende position. Skyd blokken for at sikre, at inderkanten flugter med køleskabets nederste dørkant, fastgør derefter blokken til kabinettets dør med skruer, og installer skruehætterne.
7. Fastgør den øverste køleskabsdør til kabinettens dør på samme måde.



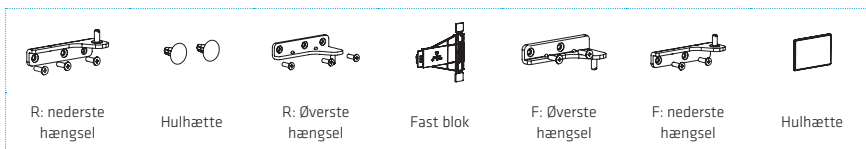
8. Tag tætningsbåndet ud af posen med tilbehør, og pres det ind i mellemrummet mellem kabinettet og køleskabet. Installation er gennemført.



Forholdsregler for installation: Oplysningerne i betjeningsvejledningen er kun vejledende. Det fysiske produkt kan variere. Inden installation og justering af tilbehør skal det sikres, at køleskabet er afbrudt fra strømmen.

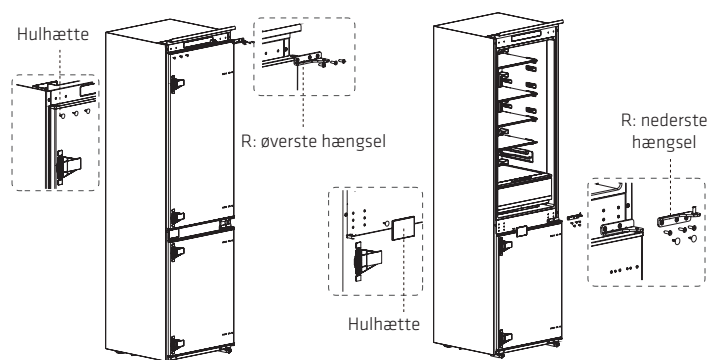
Vending af døre

Dele, der allerede er monteret på køleskabet (som ved leveringen):

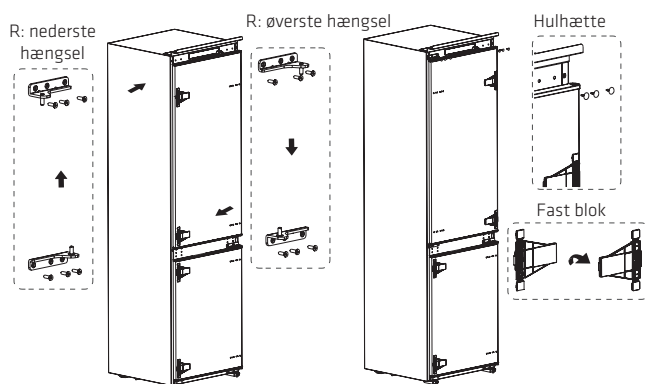


Trin:

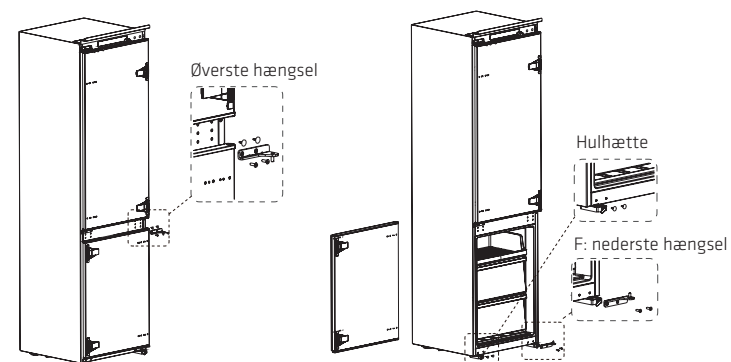
1. Sluk køleskabet, og fjern alle genstande fra hylderne i døren.
2. Fjern den øverste hængsel og hulhætterne på køleskabsdøren.
3. Fjern køleskabsdøren, den nederste hængsel og huldækslet.



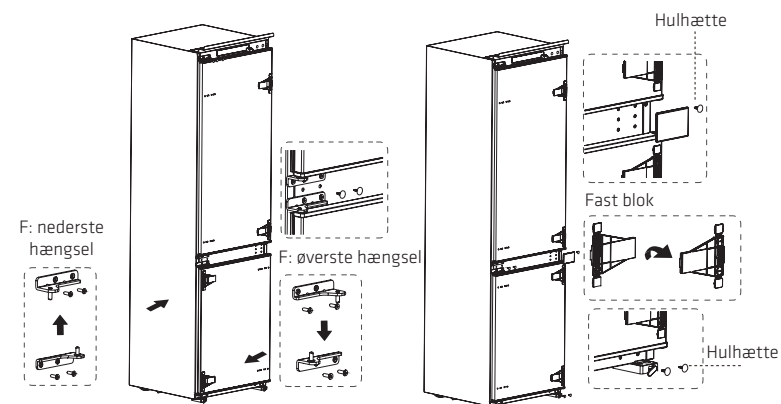
4. Byt om på nederste hængsel (R) og øverste hængsel (R), installer dem derefter i henhold til trinnene nedenfor, og installer de øverste hulhætter.
5. Fjern de to faste blokke på køleskabsdøren, drej dem 180°, og installer dem på den modsatte side af køleskabsdøren.



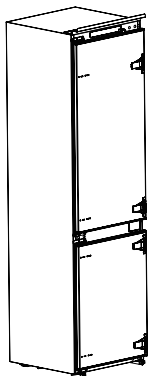
6. Fjern den øverste hængsel på fryserdøren og bananstikket.
7. Fjern fryserdøren, den nederste hængsel og hulhætterne.



8. Byt om på nederste hængsel (F) og øverste hængsel (F), installer dem derefter i henhold til trinnene nedenfor, og installer det øverste huldæksel og de nederste hulhætter.
9. Fjern de to faste blokke på fryserdøren, drej dem 180°, og installer dem på den modsatte side af fryserdøren.



10. Billedet efter gennemførelse vises nedenfor.



OBS

Forskel: Nogle af illustrationerne i vejledningen kan variere fra din model på grund af tekniske ændringer og forskelle modellerne imellem.

Udskiftning af lys

Udskiftning eller vedligeholdelse af LED-lysene skal foretages af producenten, dennes serviceagent eller lignende kvalificeret person.

Produktet indeholder en lyskilde i energieffektivitetsklasse (F).

Når du har tændt første gang, skal du vente i 2 eller 3 timer, før du lægger madvarer i apparatet. Din mad kan fordærves, hvis du lægger den i apparatet, før det er helt afkølet.

Flytning af apparatet

1. Fjern alle genstande fra apparatet.
2. Træk stikket ud af stikkontakten, sæt det ind, og fastgør det til strømstikkets krog på bagsiden af apparatet.
3. Sæt tape på dele såsom hylder og døren for at forhindre, at de falder af under flytningen af apparatet.
4. Lad to personer flytte apparatet forsigtigt. Lad apparatet stå oprejst under transport over længere afstand.

Energisparetips

Placer ikke apparatet i nærheden af komfurer, radiatorer eller andre varmekilder. Hvis rumtemperaturen er høj, kører kompressoren oftere og længere, hvilket øger energiforbruget.

Sørg for tilstrækkelig ventilation ved foden af apparatet, på siderne og på bagsiden af apparatet.

Overhold også pladskravene i det relaterede kapitel.

Den viste placering af skuffer, hylder og bakker i produktoversigten giver det meste effektive energiforbrug og skal bevares mest muligt.

For at opnå større opbevaringsplads er det muligt at fjerne de midterste skuffer og hylder. De øverste og nederste skuffer og hylder skal om nødvendigt fjernes sidst.

Et kølerum/fryserum, der er fyldt op på en ensartet måde, bidrager til et optimalt energiforbrug.

Køl varm mad af, før du lægger den i kølerummet/fryserummet. Mad, der allerede er afkølet, øger energieffektiviteten.

Optø frossen mad i kølerummet. Kulden fra den frosne mad reducerer energiforbruget i kølerummet og øger dermed energieffektiviteten.

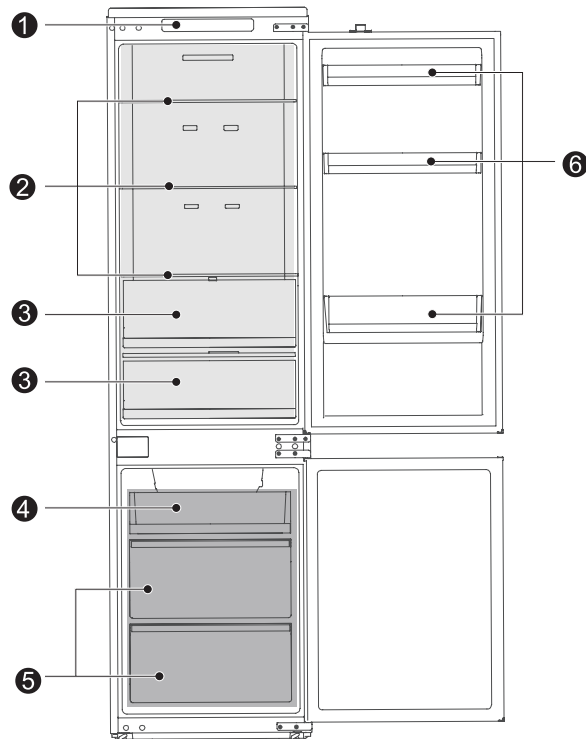
Åbn ikke døren mere end højst nødvendigt for at minimere udstrømningen af kold luft. Energiforbruget reduceres ved kun at åbne døren kortvarigt og lukke den ordentligt igen.

Indstilling af en temperatur, der ikke er lavere end nødvendigt, bidrager til et optimalt energiforbrug.

Dørpakningerne på dit apparat skal være fuldstændig intakte, så døren passer perfekt, og energiforbruget ikke øges unødvendigt.

PRODUKTOVERSIGT

Dele og funktioner



- | | | | |
|---|--------------------------------|---|--------------|
| 1 | Termostat | 4 | Lille skuffe |
| 2 | Glashylde | 5 | Stor skuffe |
| 3 | Skuffe til frugt og grøntsager | 6 | Dørbakke |

> For at opnå det mest effektive energiforbrug skal du lade alle indvendige genstande såsom bakker, skuffer og hylder sidde, hvor producenten har anbragt dem.

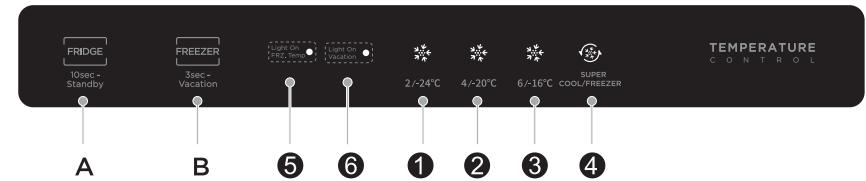


Forskel: Nogle af illustrationerne i vejledningen kan variere fra din model på grund af tekniske ændringer og forskellige modellerne imellem.

BETJENING

Brug og funktioner

Kontrolpanel



Knap

- A Knap til indstilling for køleskabsrum/Standbytilstand
- B Knap til indstilling for fryserum/Ferietilstand

Display

1	Indstilling 1 (2/-24°C)	3	Indstilling 3 (6/-16°C)	5	Light On / Fridge Temp
2	Indstilling 2 (4/-20°C)	4	Indstilling 4 (superkold/fryser)	6	Light On / Vacation



Brug ikke skarpe genstande til at betjene kontrolpanelet. De kan ridse eller beskadige kontrolpanelet.

Display

Når du tænder første gang, venter displayet 3 sekunder, mens opstartsklokken ringer, hvorefter displayet går i normal drift (efter den indledende tænding er standardindstillingen for fryser- og køleskabsrummet **-20/4 °C**).

Fejlangivelse

Følgende advarsler vises på displayet for at angive tilhørende fejl på køleskabet. Selvom køleskabet muligvis stadig har en nedfrysingsfunktion med følgende fejl, bør brugeren kontakte en vedligeholdelsespecialist med henblik på vedligeholdelse for at sikre normal brug af køleskabet.

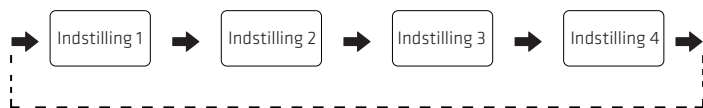
Fejlkode	Beskrivelse af fejlen
LED'en "5" og LED'en "6" blinker	Fejl i sensor for frysertemperatur
LED'en "1" og LED'en "6" blinker	Fejl i sensor for køleteperatur
LED'en "1" og LED'en "2" blinker	Fejl i frostsensoren på fryser
LED'en "6" og LED'en "3" blinker	Fejl i sensor for omgivelsestemperatur
LED'en "1" og LED'en "3" blinker	Kommunikationsfejl

Temperaturindstilling

Klik på indstillingsknappen "A" for at indstille køleskabsrummet.

Klik på indstillingsknappen "B", hvorefter kontrollampen "Light On" lyser op for at indstille fryserummet.

Køleskabet kører i henhold til den nye indstilling efter 15 sekunder.



Tips:

Jo lavere temperaturen er, desto længere kan du opbevare madvarerne sikkert, og desto mere strøm bruger køleskabet.

Jo højere du indstiller temperaturen, desto hurtigere fordærves de opbevarede madvarer, og desto mindre strøm bruger køleskabet.

Tilstanden Superkøling

Klik på indstillingsknappen "A", indtil ikonet "Light On" lyser, hvorefter køleskabsrummet går i tilstanden Superkøling om 15 sekunder.

Køleskabsrummet afslutter automatisk tilstanden Superkøling efter 6 timer, eller tryk på knappen A til temperaturindstilling for at afslutte tilstanden Superkøling tidligere.

Tilstanden Supernedfrysning

Klik på indstillingsknappen "B", hvorefter kontrollampen "Light On" lyser op, og klik igen på indstillingsknappen "B", indtil ikonet "Light On" lyser, hvorefter fryserummet går i tilstanden Supernedfrysning efter 15 sekunder.

Fryserummet afslutter automatisk tilstanden Supernedfrysning efter 40 timer, eller tryk på indstillingsknappen "B" for at afslutte tilstanden Supernedfrysning tidligere.

Det foreslås at slå tilstanden Supernedfrysning til i 12 timer, inden du lægger store mængder ikke-frosne fødevarer i fryserummet på én gang.

Standbytilstand

Tryk og hold på indstillingsknappen "A" i 10 sekunder for at gå i standbytilstand. Køleskabet stopper med at fungere, og displayet slukker.

I standbytilstand skal du trykke og holde på indstillingsknappen "A" i 10 sekunder for at gendanne normal kontrol.

Ferietilstand

Tryk og hold på indstillingsknappen "B" i 3 sekunder for at gå i ferietilstand, hvorefter ikonet "Light On Vacation" lyser op, og ferietilstanden starter efter 15 sekunder.

I ferietilstand slukkes køleskabsrummet, og fryserummet indstilles til -20°C.

I ferietilstand skal du trykke på indstillingsknappen "A" eller indstillingsknappen "B", indtil ikonet "Light On Vacation" går ud, som kan afslutte ferietilstand.

Alarm ved åbning

Hvis døren ikke lukkes om to minutter, vil summeren lyde. Tryk på en knap eller luk døren for at stoppe alarmen.

Opbevaring af mad

Fryserum

Fryserummet er beregnet til indfrysning af mad ved lav temperatur, længere opbevaring af frosne madvarer og til frysning af isterninger.

Vær opmærksom på klassificeringen med stjerner (4 stjerner, 3 stjerner, 2 stjerner og 1 stjerne) i fryserummet og den resulterende opbevaringsperiode for frosne madvarer.

Læg ikke friske madvarer ved siden af frosne madvarer. De frosne madvarer kan tø op.

Når du fryser større mængder friske madvarer (såsom kød, fisk eller hakket fars), skal du opdele madden i flere små pakker, før de lægges i apparatet, så de fryses hurtigt og er nemme at få fat i.

Overhold fødevarerproducentens anbefalede opbevaringstid, der er angivet på pakken. Hvis der ingen oplysninger findes på pakken, bør madvarer ikke opbevares i frossen tilstand længere end tre måneder fra købsdatoen.

Kontrollér ved køb af frosne madvarer, at de er frosset ved en egnet temperatur, og at pakken ikke er beskadiget.

Frosne madvarer bør opbevares i egnede individuelle pakker for at sikre, at tilstødende madvarer ikke kontamineres. Spis straks optøede madvarer. Frys dem ikke igen.

I tilfælde af en længere strømafbrydelse eller fejl på apparatet skal du fjerne de opbevarede frosne madvarer og kontrollere, om de fortsat er spiselige. Opbevar dem derefter et tilstrækkeligt køligt sted eller i et andet apparat.

Tag madvarer, der skal optøs, ud af fryserummet, og lad de tø op ved rumtemperatur eller i fryserummet. Du kan f.eks. bruge optøningsprogrammet på en mikrobølgeovn til hurtigt at optø frosne madvarer.

Hvis du kun vil tø en del af en pakke op, skal du fjerne mængden, som du har behov for, og straks lukke resten af pakken. På den måde undgår du frostskeer og reducerer isdannelse på den resterende mad.

Køleskabsrum

Læg aldrig væske i åbne beholdere i kølerummet for at reducere fugtighed og efterfølgende isdannelse. Frost har en tendens til at koncentrere sig om de koldeste dele af fordampere. Opbevaring af ikke-tildækkede væsker medfører et hyppigere behov for afrimning.

Læg aldrig varm mad i kølerummet. Lad først madvarerne køle ned ved rumtemperatur, og placer dem derefter, så der sikres tilstrækkelig luftcirkulation i køleskabsrummet.

Madvarer eller beholdere med madvarer bør ikke røre ved bagvæggen i køleskabsrummet, fordi de kan fryse fast til væggen. Åbn ikke døren til køleskabet regelmæssigt.

Kød og rengjort fisk (pakket ind i pakke eller plastfolie) kan lægges i kølerummet i 1-2 dage.

Uindpakket frugt og grøntsager kan lægges i området, der er bestemt til frisk frugt og grøntsager.

OBS

Opbevaring af for mange madvarer under drift efter den første tilslutning til strøm kan påvirke køleskabets fryseydelse negativt.

Opbevaringsperioder og temperatur

Bemærk: For lang opbevaring eller opbevaring ved en uegnet frysetemperatur kan medføre, at madden mister kvalitet eller fordærves, hvilket medfører madspild, at madden er uspiselig, og risiko for madforgiftning. Minimumstemperaturen skal i de fleste tilfælde være -18 °C eller koldere. Følg den anbefalede maksimale opbevaringsperiode nedenfor:

- > Stuvning, is, pølser, brød: 2-6 måneder.
- > Fisk, rejer, lam, kød: 4-8 måneder.
- > Grøntsager, frugt, fjerkræ, oksekød: 6-12 måneder.

VEDLIGEHOVELSE OG RENGØRING

FORSIGTIG

Afbryd apparatet fra strømforsyningen før eventuel rutinemæssig vedligeholdelse. Vent mindst fem minutter, før du igen tænder apparatet, da hyppige starter kan beskadige kompressoren.

Hold i stikket, ikke i kablet, når du trækker apparatets stik ud af stikkontakten.

Du må ikke skrabe rimfrost og is af med skarpe genstande. Brug ikke sprayer, elektriske varmelegemer såsom et varmeapparat, hårtørrer, damprensere eller andre varmekilder for at undgå skade på plastikdelene.

Fjern støvet på bagsiden af enheden mindst én gang om året for at undgå risikoen for brand samt øget energiforbrug.

Kontroller dørpakningen regelmæssigt for at sikre, at den ikke er snavset. Rengør dørpakningen med en blød klud fugtet med sæbevand eller fortyndet rengøringsmiddel.

Apparatet skal rengøres regelmæssigt indvendigt for at undgå lugt.

Brug en blød klud eller svamp til at rengøre apparatet indvendigt med en kvart liter varmt vand tilsat to spiseskefulde natron. Skyl derefter med vand, og tør af. Åbn døren efter rengøringen, og lad køleskabet tørre naturligt, før du tænder strømmen.

Hvad angår områder i apparatet (såsom vanskeligt tilgængelige steder, hulrum eller hjørner), der er vanskelige at rengøre, anbefales det at tørre dem af regelmæssigt med en blød klud, en blød børste osv. og, om nødvendigt, kombineret med nogle hjælpemidler (såsom en tynd pind) for at sikre, at der ikke er ophobede kontaminanter eller bakterier i områderne.

Brug ikke sæbe, rengøringsmiddel, skurepulver, rengøringsmiddel på spray osv. De kan give lugt i apparatet eller forurene madvarerne.

Tør apparatet af udvendigt med en blød klud, der er fugtet med sæbevand, rengøringsmiddel osv., og tør derefter apparatet.

Brug ikke hårde børster, grydesvampe af stål, stålborster, slibende midler (såsom tandpasta), organiske opløsningsmidler (såsom alkohol, acetone, isoamylacetat osv.), kogende vand, syreholdige eller alkaliske midler, der kan beskadige apparatets overflade og indre. Kogende vand og organiske opløsningsmidler (såsom benzen) kan deformere eller beskadige dele af plast.



Skyl ikke direkte med vand eller andre væsker under rengøringen for at undgå kortslutninger eller påvirkning af den elektriske isolering efter nedsænkning.

OBS

Apparatet skal køre konstant, når det er tændt. Generelt må driften af apparatet ikke afbrydes. Ellers kan det påvirke levetiden.

Afrimning

Selvom apparatet har en automatisk afrimningsfunktion, kan der dannes et lag rimfrost på de indvendige vægge i fryserummet, hvis fryserdøren åbnes hyppigt eller holdes åben for længe. Hvis rimfrosten bliver for tyk, skal du vælge et tidspunkt, hvor der kun er få madvarer i fryserummet, og gøre følgende:

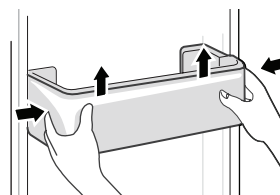
1. Tag madvarerne og alt tilbehøret ud. Træk apparatets stik ud af stikkontakten, og lad dørene stå åbne. Udluft rummet grundigt for at fremskynde afrimningsprocessen.
2. Når afrimningen er gennemført, skal du rengøre dit apparat som beskrevet ovenfor.

FORSIGTIG! Fjern ikke rimfrosten fra apparatet med skarpe genstande. Sæt først stikket i stikkontakten igen, og tænd apparatet, når det er fuldstændigt tørt indvendigt.

Rengøring af dørhylde

Brug begge hænder til at klemme hyliden i henhold til pilens retning i figuren nedenfor, og skub hyliden opad. Tag den derefter ud.

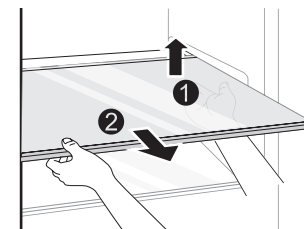
Når du har vasket hyliden, kan du justere installationshøjden i henhold til dit behov.



Rengøring af glashylde

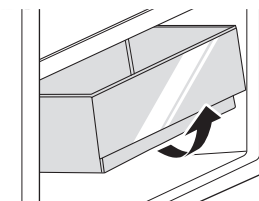
Du skal løfte hyldeerne opad, fordi der bagerst i køleskabets indvendige beklædning findes en stopklods for hyldeerne, så du kan tage hyldeerne ud.

Juster eller rengør hyldeerne i henhold til dit behov.



Rengøring af grøntsagsskuffe

Fjern indholdet fra skuffen. Tag fat i håndtaget på grøntsagsskuffen, og træk den ud, indtil den stopper. Løft grøntsagsskuffen op, og træk den ud.



OBS

Forskel: Nogle af illustrationerne i vejledningen kan variere fra din model på grund af tekniske ændringer og forskellige modellerne imellem.

FEJLFINDING

Følgende mindre problemer kan håndteres af brugeren. Ring til vores afdeling for eftersalgsservice, hvis problemerne ikke kan løses.

Problem	Mulige årsager	Løsning
Apparatet kører ikke	<ul style="list-style-type: none"> Der er ikke tændt for strømmen. Stikket er ikke sat ordentligt i stikkontakten. Lav spænding, strømafbrydelse, eller sikringen er udløst for en del af kredsløbet. 	<ul style="list-style-type: none"> Sæt ledningen i stikkontakten med et fast tryk. Kontrollér strømforsyningen i boligen.
Lyset tænder ikke	<ul style="list-style-type: none"> Apparatet er ikke tændt. Lyset er beskadiget. 	<ul style="list-style-type: none"> Træk ledningen ud af stikkontakten, og sæt den i igen. Lampen skal udskiftes af en kvalificeret person med en ny lampe.
Frukt eller grøntsager er frosne	<ul style="list-style-type: none"> Har maden været placeret bagerst i køleskabsrummet? Temperaturen er lavest i området tæt på bagvæggen. 	<ul style="list-style-type: none"> Placer ikke madvarer, der fryser nemt, bagerst i køleskabsrummet.
Køleskabs-/fryserummet køler for meget	<ul style="list-style-type: none"> Temperaturkontrollen er ikke indstillet korrekt. 	<ul style="list-style-type: none"> Indstil en højere temperatur.
Kompressoren kører meget længe	<ul style="list-style-type: none"> Høj rumtemperatur kan medføre lang driftstid. Der er lagt for mange madvarer i på én gang. Madvarerne er lagt i køleskabet, før de var afkølede. Døren åbnes for hyppigt. Rimlaget i køleskabet er for tykt. 	<ul style="list-style-type: none"> Dette er normalt. Læg ikke for mange madvarer i på én gang. Vent med at lægge madvarerne i køleskabet, indtil de er afkølede. Åbn ikke døren for hyppigt. Skal afrimes.
Døren lukker ikke ordentligt	<ul style="list-style-type: none"> Døren sidder fast på grund af snavs. For mange madvarer i køleskabet. Dørpakningen er deform. 	<ul style="list-style-type: none"> Omarranger madvarerne i køleskabet. Læg ikke for mange madvarer i køleskabet. Opvarm dørpakningen. Afkøl den derefter, så den gendannes (med en elektrisk hårtørrer eller varmt vand til opvarmning).
Ydervæggen er varm	<ul style="list-style-type: none"> Varme afledes til ydersiden via metalrør i kabinettet, når apparatet kører. Højere rumtemperaturer om sommeren kan forøge temperaturen i ydervæggen. 	<ul style="list-style-type: none"> Højere temperatur i ydervæggen er normalt. Forøg pladsen til varmeafledning, eller placér apparatet i et køligt sted med udluftning.
Tværgående eller lodrette stolper er varme	<ul style="list-style-type: none"> Der er metalrør inde i stolperne, og den varme, der afgives fra rørene, forhindrer kondensdannelse. 	<ul style="list-style-type: none"> Dette er normalt.
Køleskabet lugter	<ul style="list-style-type: none"> Fordærvet mad. Madvarer med stærk lugt. Det indvendige rum er snavset. 	<ul style="list-style-type: none"> Rengør, og fjern eventuel fordærvet mad. Sørg for at pakke madvarer med stærk lugt i lufttæt indpakning. Rengør det indvendige rum.
Dannelse af kondens på ydersiden	<ul style="list-style-type: none"> Der kan dannes kondens, når luftfugtigheden i rummet er høj. 	<ul style="list-style-type: none"> Dette er normalt. Tør kondensen af med en tør klud.
Der dannes kondens i køleskabs-/fryserummet	<ul style="list-style-type: none"> Kølerummet opretholder en høj luftfugtighed for at holde grøntsager og andre madvarer friske. Luftfugtigheden er for høj i rummet, og dørene åbnes hyppigt. Dørpakningen slutter ikke tæt. 	<ul style="list-style-type: none"> Tør kondensen af med en tør klud. Åbn ikke døren hyppigt, og hold den ikke åben for længe. Kontrollér dørpakningen. Rengør eller korriger positionen.

Der høres visse lyde under normal brug af køleskabet, som ikke påvirker køleskabets normale drift.

Lyde, der nemt kan undgås:

- > Støj fordi apparatet ikke er i vater – juster positionen ved hjælp af de indstillelige forreste fødder. Eller sæt puder af blødt materiale under de bagerste ruller, især hvor apparatet står på fliser.
- > Køleskabet rører ved et tilstødende møbel – Flyt køleskabet.
- > Skuffer eller hylde knirker – Tag skuffen eller hylde ud, og sæt den tilbage.
- > Klirrende flasker – Flyt flaskerne, så de ikke rører ved hinanden.

Lyde, der høres under normal brug, skyldes hovedsageligt kørsel af kompressoren (slår til) og kølesystemet (termisk udvidelse og sammentrækning af radiatoren forårsaget af gennemstrømningen af kølemiddel).

BILAG

Specielt for ny europæisk standard

Reservedelene i følgende tabel kan bestilles gennem vores serviceudbyderkanal.

Reservedel	Leveret af	Minimumsleveringstid
Termostater	Professionelt servicepersonale	Mindst syv år efter tidspunktet for lancering af den seneste model på markedet
Temperatursensorer	Professionelt servicepersonale	Mindst syv år efter tidspunktet for lancering af den seneste model på markedet
Printkort	Professionelt servicepersonale	Mindst syv år efter tidspunktet for lancering af den seneste model på markedet
Lyskilder	Professionelt servicepersonale	Mindst syv år efter tidspunktet for lancering af den seneste model på markedet
Dørhængsler	Professionelle reparatører og slutbrugere	Mindst syv år efter tidspunktet for lancering af den seneste model på markedet
Hylde	Professionelle reparatører og slutbrugere	Mindst syv år efter tidspunktet for lancering af den seneste model på markedet
Skuffer	Professionelle reparatører og slutbrugere	Mindst syv år efter tidspunktet for lancering af den seneste model på markedet
Dørpakninger	Professionelle reparatører og slutbrugere	Mindst 10 år efter tidspunktet for lancering af den seneste model på markedet



Modeloplysningerne i produkt databasen og modelidentifikatoren kan fås via et weblink, der scannes med en QR-kode på energimærkatet.

Find flere oplysninger om apparatets energieffektivitet ved at besøge <https://eprel.ec.europa.eu> og søge med modelnavnet. Modelnavnet findes på apparatets typeskilt.

SPECIFIKATIONER:

Model: POCRI5177DN

Klimaklasse: SN, N, ST, T

Nominal spænding: 220-240 V~

Nominal frekvens: 50 Hz

Kølemiddel: R600a (30 g)

Støjniveau: 35 dB (klasse B)

Power International AS,
PO Box 523, N-1471 Lørenskog, Norway

Power Norge:
<https://www.power.no/kundeservice/>
T: 21 00 40 00

Power Danmark:
<https://www.power.dk/kundeservice/>
T: 70 33 80 80

Punkt 1 Danmark:
<https://www.punkt1.dk/kundeservice/>
T: 70 70 17 07





Power Finland:
<https://www.power.fi/tuki/asiakaspalvelu/>
T: 0305 0305

Power Sverige:
<https://www.power.se/kundeservice/>
T: 08 517 66 000

Läs följande säkerhetsanvisningar innan apparaten slås på för första gången!

- > Den här apparaten är avsedd för att användas i hushåll och liknande tillämpningar såsom köksutrymmen för personal i butiker, kontor och andra arbetsmiljöer, bondgårdar och av gäster på hotell, motell, bed and breakfast och andra typer av boendemiljöer, catering och andra liknande tillämpningar som inte utgör detaljhandel.
- > Den här apparaten är inte avsedd att användas av en person (inklusive barn) med nedsatt fysisk, sensorisk eller mental förmåga eller med brist på kunskap och erfarenhet. Detta gäller såvida de inte är under övervakning av, eller har fått instruktioner om hur apparaten används, från en person som ansvarar för deras säkerhet.

Förklaring av termer/symboler

	FARA Den här symbolen indikerar att extremt brandfarliga gaser utgör risker för människors liv och hälsa.
	VARNING Signalsymbolen anger en fara med en medelhög risk som, om den inte undviks, kan leda till dödsfall eller allvarlig personskada.
	FÖRSIKTIGHET Signalsymbolen anger en fara med en låg risk som, om den inte undviks, kan leda till mindre eller måttlig personskada.
	OBSERVERA Signalsymbolen indikerar viktig information (såsom skada på egendom) men inte fara för personer.

VIKTIGT: Var särskilt uppmärksam på meddelanden som innehåller orden **FARA**, **VARNING** eller **FÖRSIKTIGHET**. Dessa ord används för att uppmärksamma dig på potentiell fara som kan orsaka allvarlig personskada för dig och andra.

Anvisningarna indikerar hur du kan reducera risken för personskada samt vad som kan hända om dessa inte följs.

OBSERVERA: Bruksanvisningen är övergripande. Detta innebär att vissa funktioner gäller för det här kylskåpet medan andra inte gör det.

Vi arbetar ständigt med att vidareutveckla och förbättra våra produkters typer och modeller. Vi förbehåller oss därför rätten att utan föregående meddelande göra ändringar i design, utrustning och tillbehör för alla typer och modeller.

VIKTIGA SÄKERHETSANVISNINGAR

LÄS OCH SPARA DESSA ANVISNINGAR!



VARNING: Brandrisk/lättantändligt material

Kylmedel och det skummaterial av cyklopentan som används i apparaten är lättantändligt. När apparaten kasseras ska den därför hållas borta från alla brandkällor och återvinnas av ett specificerat återvinningsföretag med motsvarande kvalifikationer. Denna kassering får inte ske genom förbränning för att förhindra miljöskador eller annan skada.



VARNING

Allmän säkerhet

- > Barn måste hållas under uppsikt för att säkerställa att de inte leker med enheten.
- > Om strömkabeln är skadad måste den bytas ut av tillverkaren, dess serviceagent eller liknande kvalificerade tekniker för att undvika fara.
- > Förvara inte explosiva ämnen som exempelvis aerosolburkar med brandfarlig drivgas i frysboxen.
- > Apparaten måste kopplas bort innan användarunderhåll utförs på den.
- > **VARNING:** Håll ventilationsöppningarna i enhetens hölje eller i den inbyggda strukturen fria från hinder.
- > **VARNING:** Använd inte mekaniska anordningar eller andra hjälpmedel för att påskynda avfrostningsprocessen, förutom de som rekommenderas av tillverkaren.
- > **VARNING:** Se till att köldmediekretsen inte skadas.
- > **VARNING:** Använd inte elektriska apparater i enhetens förvaringsutrymmen för livsmedel, såvida de inte är av den typ som rekommenderas av tillverkaren.
- > **VARNING:** Kassera kylskåpet enligt lokala föreskrifter eftersom det innehåller lättantändlig drivgas och lättantändligt kylmedel.
- > **VARNING:** När enheten ställs på plats ska det säkerställas att nätkabeln inte kläms eller skadas.
- > **VARNING:** Placera inte förgreningskontakter eller bärbara nätaggregat bakom enheten.
- > Använd inte ojordade förlängningssladdar eller adapttrar (med endast två stift).
- > För att undvika en fara på grund av att produkten är instabil måste den fixeras i enlighet med instruktionerna.
- > Kylskåpets strömförsörjning måste kopplas bort innan något tillbehör monteras. Se till att strömkabeln inte fastnar i kylskåpet. Trampa inte på strömkabeln.



FÖRSIKTIGHET

Daglig användning

- > Dra inte i strömkabeln när kylskåpets stickkontakt kopplas bort. Ta ett rejält grepp om stickkontakten och dra ut den ur eluttaget.
- > För säker användning får strömkabeln i skadas och den får inte användas om den är skadad eller sliten.
- > Använd alltid ett dedikerat eluttag och det får inte delas med andra elektriska apparater.
- > Kontakten ska sitta ordentligt i uttaget för att undvika brandrisk.
- > Kontrollera att jordningsblecket i eluttaget är utrustat med en tillförlitlig jordanslutning.
- > Om du luktar gas eller andra brandfarliga gaser, stäng av gastillförselsventilen omedelbart och öppna dörrar och fönster för att ventiler området.
- > Vid en gasläcka, dra inte ur kontakten till kylskåpet eller använd några elektriska strömbrytare; gnistan kan antända gasen och orsaka en brand.
- > Använd inte elektriska apparater ovanpå enheten, såvida de inte är av den typ som rekommenderas av tillverkaren.
- > Mellanrummen mellan kylskåpets dörrar och huvuddelen är små. Undvik att placera händerna i dessa områden för att förhindra skador på fingrarna. Var försiktig när du öppnar och stänger kylskåpets dörr för att undvika att föremål välter.
- > Torka händerna, om de är blöta, innan du plockar upp mat eller behållare i frysfacket medan kylskåpet är i drift, för att undvika köldskador. Detta gäller särskilt för metallbehållare.
- > Låt inte barn vara i eller klättra upp i kylskåpet då de kan utsättas för kvävningsrisk eller fallskador.
- > Placera inga tunga föremål ovanpå kylskåpet med tanke på att föremålen kan välta när du öppnar och stänger dörren, varpå oavsiktliga personskador kan inträffa.
- > Placera inte brandfarliga, explosiva, instabila och starkt frätande föremål i kylskåpet för att förhindra skador på själva kylskåpet och brandrisk.
- > För att undvika risker för brand får lättantändliga föremål inte placeras i närheten av kylskåpet.
- > Kylskåpet är avsett för hushållsbruk såsom förvaring av livsmedel. Det får inte användas för andra ändamål såsom förvaring av blod, läkemedel eller biologiska produkter.
- > Förvara inte öl, dryck eller annan vätska i flaskor eller slutna behållare i kylskåpets frysfack. Om detta sker kan flaskorna eller de slutna behållarna spricka när vätskan fryser, och orsaka skador.



VARNING

För EU-standard:

Den här apparaten kan användas av barn från 8 år och äldre och personer med nedsatt fysisk, sensorisk eller mental förmåga eller bristande erfarenhet och kunskap om de har fått tillsyn eller anvisningar om hur apparaten ska användas på ett säkert sätt och förstår riskerna. Barn får inte leka med apparaten. Rengöring och användarunderhåll får inte utföras av barn utan uppsikt.

För att undvika att livsmedel kontamineras ska följande anvisningar följas:

- Om luckan hålls öppen länge höjs temperaturen i enheten avsevärt.
- Rengör regelbundet ytor som kan komma i kontakt med livsmedel samt utloppssystemet.
- Rengör vattenbehållare om de inte har använts på 48 timmar. Spola vattensystem som är anslutet till vattenförsörjningen om vatten inte har använts på 5 dagar. **(Obs 1)(*)**
- Förvara rätt kött och fisk i lämpliga behållare i kylskåpet så att de inte kommer i kontakt med eller droppar på andra livsmedel.
- Frysfack med två stjärnor är lämpliga för förvaring av frysta livsmedel, förvaring eller tillverkning av glass samt tillverkning av isbitar. **(Obs 2)(*)**
- 1-, 2- och 3-stjärniga fack är inte lämpliga för att frysa färsk mat. **(Obs 3)(*)**
- För apparater utan ett 4-stjärnigt fack: den här enheten är inte lämplig för att frysa in färska livsmedel. **(Obs 4)(*)**
- Om enheten ska vara tom under en längre period bör den stängas av, frostas av, rengöras och torkas. Luckan ska lämnas öppen för att förhindra invändig mögelbildning.

Obs 1, 2, 3, 4: Kontrollera om detta är tillämpligt utifrån typen av fack i produkten.

(*): Den här funktionen kan variera beroende på vilken modell som har köpts.



"4-stjärnig" symbol: Frysfacket har en temperatur på -18 °C eller lägre och kan snabbt frysa en viss mängd mat.



"3-stjärnig" symbol: Frysfack vid -18 °C eller lägre.



"2-stjärnig" symbol: Frysfack vid -12 °C eller lägre.



"1-stjärnig" symbol: Frysfack med en mättemperatur och förvaringsförhållanden på -6 °C.



FÖRSIKTIGHET

Det rekommenderas inte att produkten används med eluttag eller huvudströmbrytare med AFCI/GFCI-funktion då detta kan orsaka falska utlösningar.

1. Funktionen utgör inte en säkerhetsrisk när den utlöses.
2. Om utlösningen sker igen rekommenderar vi att uttaget eller huvudströmbrytaren byts ut mot en modell utan AFCI/GFCI-funktion.



VARNING

Risk att barn blir instängda. Innan du kasserar ditt gamla kylskåp:

- > Ta av dörrarna.
- > Låt hyllplanen sitta kvar så att barn inte på ett enkelt sätt kan klättra in.

MILJÖSKYDD

Kassera gamla elektriska apparater på ett miljövänligt sätt



Den här överkorsade symbolen på en sopptunna med hjul indikerar att elektriska och elektroniska avfallsprodukter (WEEE) bör kasseras separat från kommunala avfall.

Gamla elektriska apparater kan innehålla farliga ämnen. Korrekt avfallshantering bidrar till att förebygga potentiella skador på miljön och människors hälsa. Din gamla apparat kan innehålla återanvändbara delar som kan användas för att reparera andra produkter samt värdefulla material som kan återvinnas för att spara på begränsade naturresurser.

⚠ FÖRSIKTIGHET

Kylmediet och det cyklopentanbaserade skummaterial som används i enheten är brandfarliga. När enheten kasseras ska den därför hållas borta från alla brandkällor och återvinnas av ett specificerat återvinningsföretag med motsvarande kvalifikationer. Denna kassering får inte ske genom förbränning för att förhindra miljöskador eller annan skada.

Förpackningsinformation



Produktens förpackningsmaterial är tillverkat av återvinningsbart material enligt våra nationella miljöföreskrifter. Kasta inte förpackningsmaterialet med hushållsavfall eller annat avfall. Kassera det istället på insamlingsanläggningar för förpackningsmaterial som indikeras av de lokala myndigheterna.

MONTERINGSANVISNINGAR

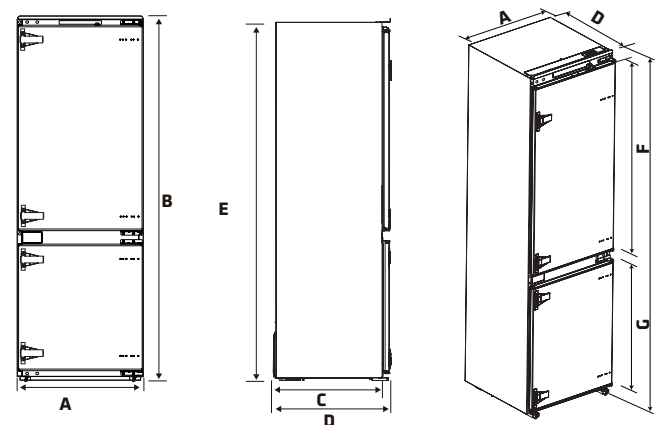
Före första användningen

Ta bort den yttre och inre packningen och torka noggrant av utsidan med en mjuk och torr trasa samt insidan med en trasa blötlagd med ljummet vatten.

Innan kylskåpet ansluts till strömförsörjningen ska du kontrollera att spänningen som anges på apparatens typskylt motsvarar spänningen på nätströmmen. En annan spänning kan skada apparaten.

Apparaten måste vara jordad. Tillverkaren ansvarar inte för skador som kan uppstå till följd av att apparatens används utan jordning.

Diagram för platsbehov



A	B	C	D	E	F	G
540	1785	515	550	1770	992	620,5

Obs! Alla mått i mm

Omgivningstemperatur

Beroende på klimatklass är produkten konstruerad för användning inom det intervall för omgivningstemperatur som anges i följande tabell.

Produkten kanske inte fungerar korrekt vid temperaturer utanför det angivna intervallet.

Klimatklassen anges på produktens typskylt.

Klimatklassificering	Omgivningstemperatur
SN	10 till 32 °C
N	16 till 32 °C
ST	16 till 38 °C
T	16 till 43 °C

Om du har tvivel angående monteringen bör du vända dig till leverantören, till vår kundservice eller till närmaste auktoriserade serviceverkstad.

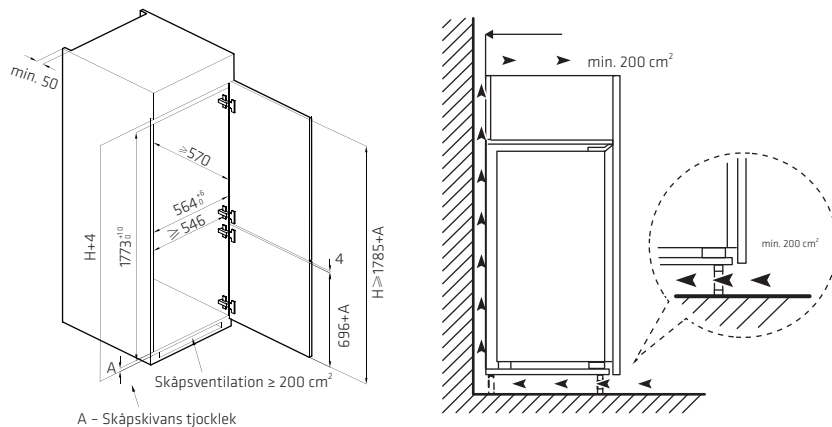
🔦 OBSERVERA

Enhetens kylförmåga och energiförbrukning kan påverkas av omgivningstemperaturen, hur ofta dörren öppnas och var enheten placeras. Vi rekommenderar att temperaturinställningarna justeras efter behov.

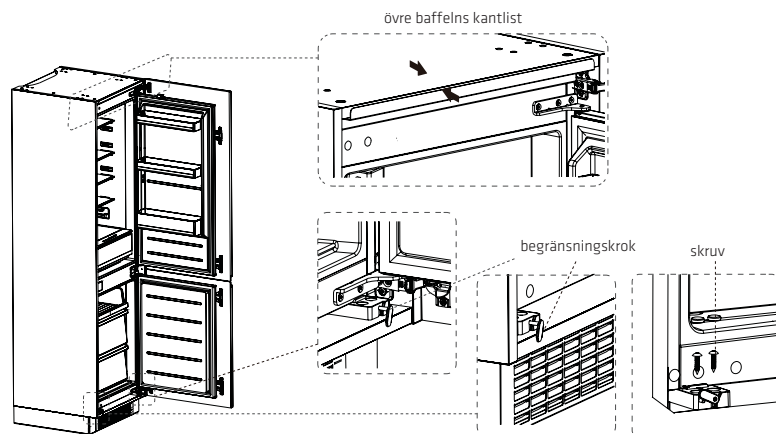
Montering i skåp

Steg:

1. Krav på skåpets storlek. (Obs! Alla mått är i mm.)

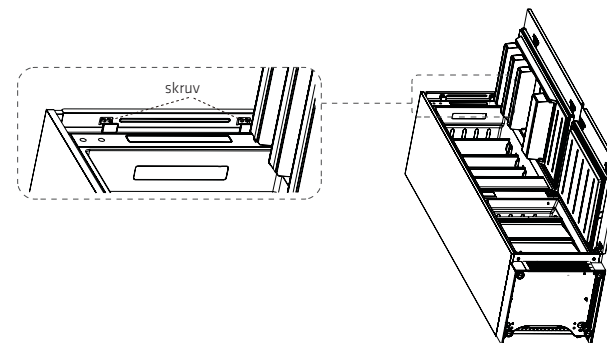


2. Skjut in kylskåpet i skåpet och justera det så att den övre baffelns kantlist är helt i kontakt med skåpets överkant.
3. Stödbenets begränsningskrok ska ha full kontakt med skåpets underkant.

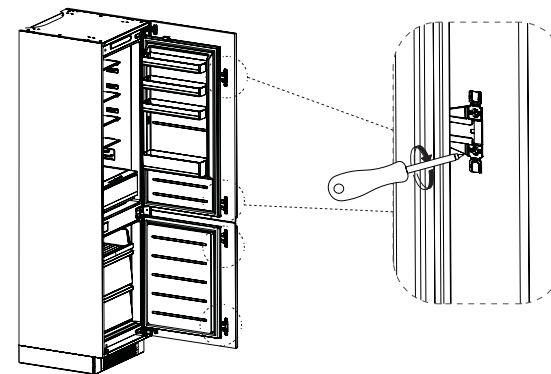


4. Fäst stödbenet med skruvar och sätt sedan dit skruvskydden.

5. Fäst den övre baffeln på insidan av skåpets ovansida med skruvar och sätt sedan på skruvskydden.



6. Öppna den nedre skåpdörren helt och öppna sedan kylskåpets nedre dörr till motsvarande läge. Skjut blocket så att dess inre kant ligger i linje med kanten på kylskåpets nedre dörr. Fäst sedan blocket på skåpdörren med en skruv och sätt dit skruvskyddet.
7. Fäst den övre kylskåpsdörren på skåpdörren på samma sätt.



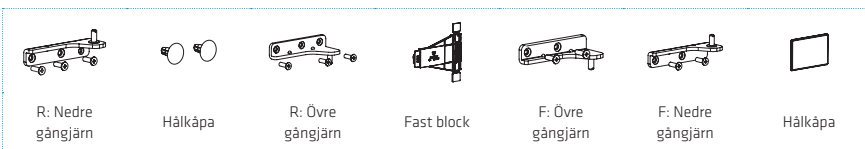
8. Ta ut tätninglisten ur tillbehörspåsen och tryck in den i springan mellan skåpet och kylskåpet. Monteringen är klar.

OBSERVERA

Försiktighetsåtgärder före installation: Informationen i bruksanvisningen är endast avsedd som referens. Den fysiska produkten kan se annorlunda ut. Innan några tillbehör monteras eller justeras måste kylskåpet kopplas bort från strömförsörjningen.

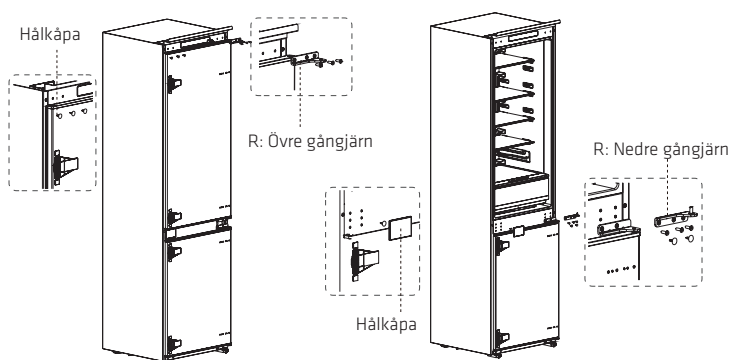
Byta dörrens öppningsriktning

Delar som är förmonterade på kylskåpet (vid leverans):

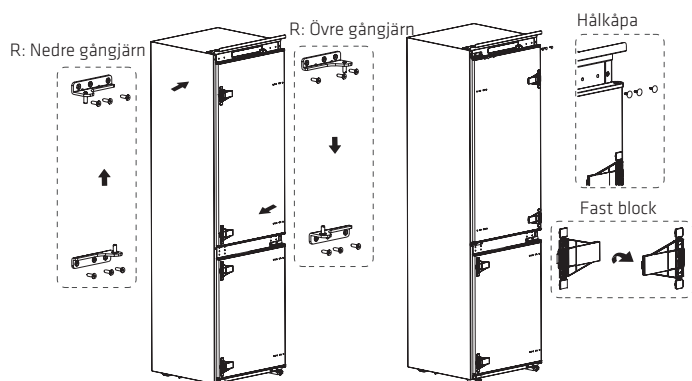


Steg:

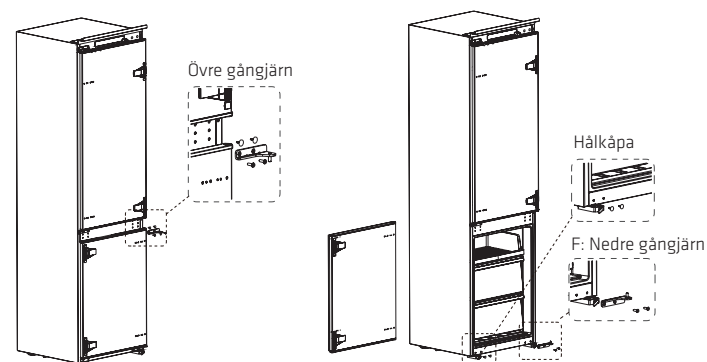
1. Stäng av kylskåpet och ta bort alla föremål från dörrfacken.
2. Ta bort kylskåpdörrens övre gångjärn och hålskydd.
3. Ta bort kylskåpsdörren, det nedre gångjärnet och hålskyddet.



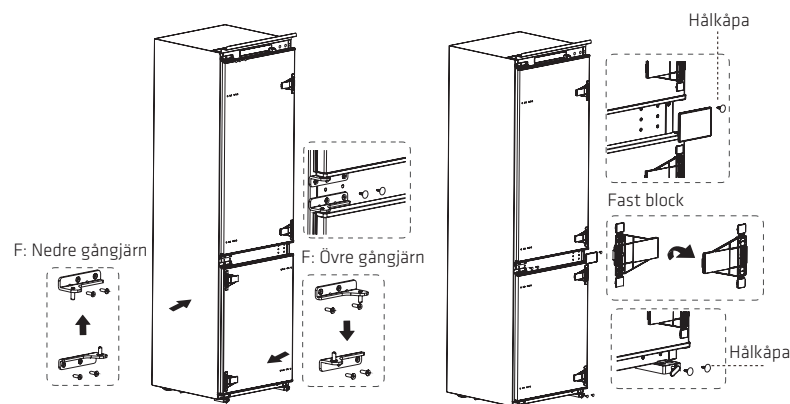
4. Byt ut det högra nedre gångjärnet (R) och det högra övre gångjärnet (R), och montera dem sedan enligt stegen nedan. Sätt slutligen i de övre hålkåporna.
5. Ta bort de två fasta blocken från kylskåpsdörren, vrid dem 180° och montera dem på dörrens motsatta sida.



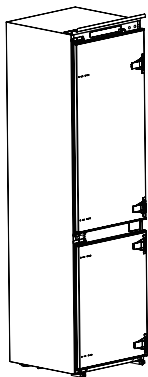
6. Ta bort det övre gångjärnet på frysdörren och dra ut stiftet.
7. Ta bort frysdörren, det nedre gångjärnet och hålkåporna.



8. Byt ut frysens nedre gångjärn (F) och frysens övre gångjärn (F), och montera dem sedan enligt stegen nedan. Sätt i det övre hålskyddet och de nedre hålkåporna.
9. Ta bort de två fasta blocken från frysdörren, vrid dem 180° och montera dem på dörrens motsatta sida.



10. Den färdiga monteringen visas nedan.



OBSERVERA

Skillnader: På grund av tekniska skillnader och olika modeller kan vissa av bilderna i den här bruksanvisning skilja sig från din modell.

Byta ut lampan

Allt byte eller underhåll av LED-lampor är avsett att utföras av tillverkaren, dess servicerepresentant eller en kvalificerad person.

Produkten innehåller en ljuskälla med energieffektivitetsklass F.

När enheten har startats för första gången bör du vänta 2 till 3 timmar innan du placerar mat i den. Om mat placeras i apparaten innan den har svalnat helt kan maten förstöras.

Flytta apparaten

1. Ta bort alla föremål från apparaten.
2. Dra ur nätsladden och sätt sedan in den i nätsladdskroken på enhetens baksida och fäst den ordentligt.
3. Tejpa fast delar såsom hyllor och dörren för att förhindra att de faller av när enheten flyttas.
4. Använd två personer för att flytta apparaten och var försiktiga. När apparaten transporteras över en lång sträcka ska den hållas upprätt.

Tips för energibesparingar

Placera inte apparaten nära spisar, värmeelement eller andra värmekällor. Om omgivningstemperaturen är hög arbetar kompressorn oftare och under längre tidsperioder vilket resulterar i en ökad energiförbrukning.

Garanterar en tillräcklig ventilation vid apparatens nederdel, sidor och baksida.

Se relevant kapitel för avståndsmått.

Placeringen av lådor, hyllor och dörrfack såsom visas i produktöversikten skapar den mest effektiva energianvändningen och bör bibehållas när så är möjligt.

För att skapa mer förvaringsutrymme kan de mellersta lådorna och hyllorna tas bort. Om behov finns ska de övre och nedre lådorna och hyllorna tas bort.

Ett jämnt fyllt kyl/frysack bidrar till en optimal energianvändning.

Låt varm mat svalna innan den placeras i kyl-/frysacket. Om mat svalnar innan den placeras i apparaten ökar energieffektiviteten.

Låt fryst mat tina upp i kylan. Kylan från den frysta maten reducerar energiförbrukningen i kylfacket vilket ökar energieffektiviteten.

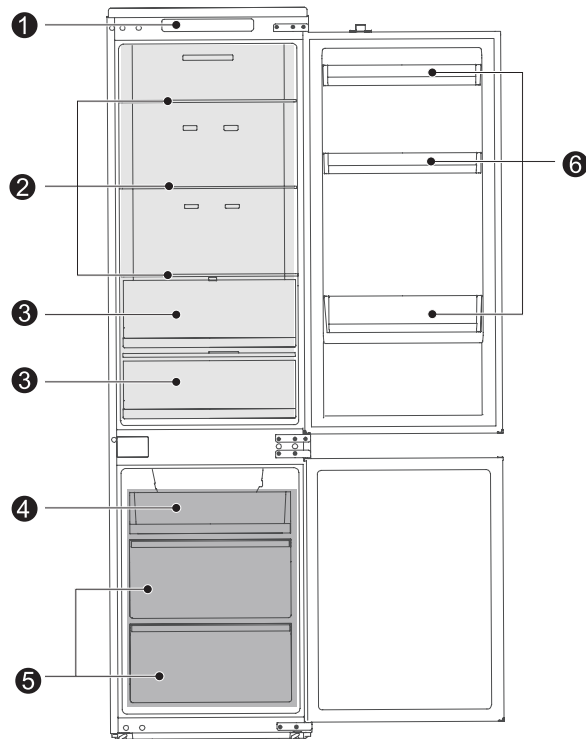
Låt dörren vara öppen under så korta tidsperioder som möjligt för att minimera förlust av kyla. Om dörren öppnas och stängs snabbt samt ordentligt reduceras energiförbrukningen.

Skapa en optimal energianvändning genom att ställa in temperaturen endast till vad som är nödvändigt för att kyla maten.

Packningarna på apparatens dörr måste vara helt intakta för att låta den stängas ordentligt och inte öka energiförbrukningen i onödan.

PRODUKTÖVERSIKT

Komponenter och funktioner



- | | | | |
|---|------------------------------|---|------------|
| 1 | Temperaturkontroll | 4 | Liten låda |
| 2 | Glashylla | 5 | Stor låda |
| 3 | Låda för frukt och grönsaker | 6 | Dörrfack |

> För optimal energieffektivitet, bör alla invändiga komponenter, såsom bricker, lådor och hyllor, placeras i de positioner som tillverkaren angett.

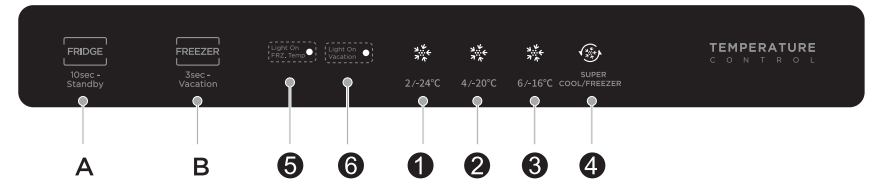
OBSERVERA

Skilnader: På grund av tekniska skillnader och olika modeller kan vissa av bilderna i den här bruksanvisning skilja sig från din modell.

ANVÄNDNINGSANVISNINGAR

Användning och funktioner

Kontrollpanel



Knapp

- | | |
|---|--|
| A | Knapp för inställning av kyl/standbyläge |
| B | Knapp för inställning av frys/semesterläge |

Displayskärm

1	Inställning 1 (2/-24°C)	3	Inställning 3 (6/-16°C)	5	Light On / Fridge Temp
2	Inställning 2 (4/-20°C)	4	Inställning 4 (snabbkylning/frys)	6	Light On / Vacation

OBSERVERA

Använd inte vassa föremål för att trycka på kontrollpanelen. De kan repa eller skada panelen.

Display

När enheten slås på för första gången lyser displayen med full ljusstyrka i 3 sekunder samtidigt som startsignalen ljuder, varefter den går över till normalt driftläge. (Efter den första uppstarten är frysfacket och kylskåpsfacket som standard inställda på läget **-20/4 °C**).

Felmeddelanden

Följande varningar indikerar motsvarande fel på enheten. Även om enheten kan fungera trots följande fel, bör användaren kontakta servicepersonal för att säkerställa att den fungerar som den ska.

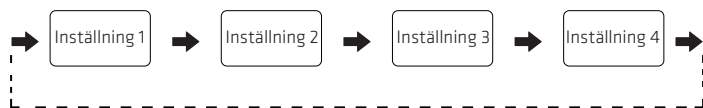
Felkod	Felbeskrivning
"5" och "6"	Blinkar på LED-displayen Fel på frysens temperatursensor
"1" och "6"	Blinkar på LED-displayen Fel på kylens temperatursensor
"1" och "2"	Blinkar på LED-displayen Fel på frysens frostsensör
"6" och "3"	Blinkar på LED-displayen Fel på sensorn för omgivningstemperatur
"1" och "3"	Blinkar på LED-displayen Kommunikationsfel

Temperaturinställning

Tryck på inställningsknappen "A" för att ställa in temperaturen i kylan.

Tryck på inställningsknappen "B". Indikatorn "Light On" tänds och det går att ställa in temperaturen i frysen.

Kylskåpet börjar använda den nya inställningen inom 15 sekunder.



Tips:

Lägre inställd temperatur betyder att håller maten sig färsk längre, men det betyder även högre energiförbrukning.

Högre inställd temperatur betyder att håller maten inte håller sig färsk lika länge, men det betyder även lägre energiförbrukning.

Snabbkylningsläge

Tryck på inställningsknappen "A" tills ikonen "Light On" tänds. Då går kylskåpsdelen in i snabbkylningsläge inom 15 sekunder.

Kylen lämnar automatiskt snabbkylningsläget efter 6 timmar. Alternativt kan du trycka på inställningsknappen "A" för att avsluta läget tidigare.

Snabbfrysläge

Tryck på inställningsknappen "B" – indikatorn "Light On" tänds. Tryck på "B" igen till ikonen "Light On" tänds. Då går frysdelen in i snabbfrysläge inom 15 sekunder.

Frysen lämnar automatiskt snabbfrysläget efter 40 timmar. Alternativt kan du trycka på inställningsknappen "B" för att avsluta läget tidigare.

För bästa resultat slår du på Snabbfrysläge cirka 12 timmar innan du placerar en stor mängd ofrysade livsmedel i frysfacket.

Standbyläge

Håll inställningsknappen "A" intryckt i 10 sekunder för att komma till standbyläget. Kylen stängs av och displayen slocknar.

I standbyläget håller du inställningsknappen "A" intryckt i 10 sekunder för att gå tillbaka till normal drift.

Semesterläge

Håll inställningsknappen "B" intryckt i 3 sekunder. Ikonen "Light On" tänds och semesterläget aktiveras efter 15 sekunder.

I semesterläget är kylskåpsdelen avstängd och frysdelen inställd på -20°C.

I semesterläget trycker du på inställningsknappen "A" eller inställningsknappen "B" tills ikonen "Light On" slocknar för att avsluta semesterläget.

Larm vid öppen dörr

Om dörren inte stängs om två minuter kommer buzzern att ljuda. Tryck på någon knapp eller stäng dörren för att stoppa larmet.

Förvara mat

Frysdelen

Frysfacket är avsett för att frysa livsmedel vid låg temperatur, långtidsförvaring av frysta livsmedel och för att göra isbitar.

Var uppmärksam på stjärnklassificeringarna (4-stjärnig, 3-stjärnig, 2-stjärnig och 1-stjärnig) i frysdelen och respektive förvaringstider för frysta livsmedel.

Placera inte färsk och fryst mat bredvid varandra. Fryst mat kan tina.

När stora mängder färsk livsmedel fryses in (såsom kött, fisk eller hackat kött) ska de delas upp i flera små bitar innan frysfrysning så att de kan frysas och tinas snabbare.

Följ förvaringstiden som rekommenderas av livsmedelstillverkare på respektive förpackningar. Om ingen information tillhandahålls på förpackningen bör livsmedel endast förvaras fryst i tre månader efter inköpsdatumet.

När fryst mat köps ska den hållas fryst vid en lämplig temperatur och se även till att förpackningen inte är skadad.

Frysta livsmedel bör förvaras i lämpliga och individuella förpackningar som säkerställer att närliggande livsmedel inte kontamineras. Tinad mat ska omedelbart förtäras och får inte frysas igen.

Vid långvariga strömavbrott eller felfunktioner i apparaten ska du ta ut de frysta matvarorna och kontrollera om de fortfarande kan förtäras. De ska sedan förvaras på en tillräckligt sval plats eller i en annan apparat.

För att tina upp mat ska den tas ut ur frysen och tinas i rumstemperatur eller i kylan. För att tina upp mat snabbt kan till exempel upptiningfunktionen på en mikrovågsugn användas.

Om endast en del av en förpackning ska tinas upp ska den portion som behövs tas ut och resten av förpackningen ska omedelbart stängas och förvaras. På så sätt undviks "frysbränna" och isbildningen på de återstående matvarorna reduceras.

Kyl

För att reducera mängden fukt och efterföljande isbildning ska vätska inte placeras i kylfacket i oförseglade behållare. Frost tenderar att koncentreras på de kallaste delarna av förångaren. Om vätskor förvaras oförseglade är behovet av avfrostning mer frekvent.

Placera aldrig varm mat i kylfacket. Dessa ska först låtas svalna i rumstemperatur och sedan placeras på ett sätt som ger tillräcklig luftcirkulation i kylan.

Livsmedel eller livsmedelsbehållare ska inte vara i direkt kontakt med enhetens bakre vägg, eftersom de kan frysa fast i den. Öppna inte kylskåpsdörren ofta.

Kött och färsk fisk (förpackade i paket eller plastfolie) kan förvaras i kylskåp och bör förbrukas inom 1-2 dagar.

Frukt och grönsaker utan förpackning kan placeras i delen som är avsedd för färsk frukt och grönsaker.

OBSERVERA

Om för mycket mat placeras i enheten direkt efter att den har kopplats in kan det minska kylkapaciteten.

Förvaringstider och -temperaturer

Obs: För lång förvaring eller förvaring vid icke lämpliga frystemperatur kan påverka kvaliteten eller förstöra livsmedel. Detta leder till matsvinn och oätlig mat samt kan orsaka matförgiftning. Minimitemperaturen bör i de flesta fall vara -18 °C eller lägre. Följ de rekommenderade maximala förvaringsperioderna nedan:

- > Grytor, glass, korv och bröd: 2-6 månader.
- > Fisk, räkor, lamm och kött: 4-8 månader.
- > Grönsaker, frukt, fågel och nötkött: 6-12 månader.

UNDERHÅLL OCH RENGÖRING

⚠ FÖRSIKTIGHET

Koppla bort apparaten från nätströmmen innan du något rutinunderhåll utförs. Vänta minst fem minuter innan apparaten startas om eftersom en för snabb uppstart kan skada kompressorn.

När enheten kopplas ur ska du alltid hålla i kontakten, inte i strömsladden.

Använd inte vassa föremål för att skrapa bort frost och is. Använd inte sprej, elektriska värmare (t.ex. värmeelement eller hårtorkar), ångrengörare eller andra värmekällor, eftersom de kan skada plastdelarna.

Damma av enhetens baksida minst en gång om året för att undvika risk för brand samt en ökad energiförbrukning.

Kontrollera dörrens packning regelbundet för att säkerställa att den är fri från skräp. Rengör dörrens tätningslist med en mjuk trasa fuktad med vatten och diskmedel eller utspätt rengöringsmedel.

Enhetens insida bör rengöras regelbundet för att undvika dålig lukt.

Använd en mjuk trasa eller svamp för att rengöra enhetens insida, med två matskedar bakpulver i en liter varmt vatten. Skölj sedan med vatten och torka torrt. Låt dörren stå öppen efter rengöringen och låt apparaten torka naturligt innan du slår på strömmen.

För områden i enheten som är svåra att rengöra (såsom smala övergångar, mellanrum och hörn), rekommenderar vi att du torkar dessa regelbundet med en mjuk trasa, borste eller liknande och vid behov kombinerat med några andra extra verktyg (såsom smala pinnar) för att garantera att det inte finns någon smuts eller några bakterier som samlas i dessa områden.

Använd inte tvål, rengöringsmedel, slipande pulver eller rengöringsspray, eftersom de kan orsaka lukt inuti enheten eller förorena livsmedlen.

Torka av enhetens utsida med en mjuk trasa fuktad med vatten blandat med diskmedel eller rengöringsmedel och torka sedan torrt.

Använd inte hårda borstar, rengöringskylor av stål, stålborstar, slipmedel (såsom tandkräm), organiska lösningar (såsom alkohol, aceton, isoamylacetat och liknande), kokande vatten eller frätande eller alkaliska föremål som kan skada enhetens ut- och insida. Kokande vatten och organiska lösningar som t.ex. bensen kan deformera och skada delar av plast.



För att undvika kortslutningar och påverkan på den elektriska isoleringen får du inte skölja apparaten eller sänka ned den i vatten vid rengöring.

🔦 OBSERVERA

När enheten har satts igång bör den vara igång kontinuerligt. Om driften avbryts ofta kan det förkorta livslängden.

Avfrostning

Trots att enheten använder automatiskt avfrostning kan ett lager frost bildas på frysens inre väggar om dörren öppnas ofta eller hålls öppen länge. Om lagret med frost blir för tjockt bör du välja en tidpunkt då det finns mindre mängden livsmedel och fortsätta enligt följande:

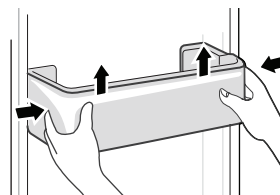
1. Ta ut alla livsmedel och tillbehör, dra ur sladden och låt dörren vara öppna. Säkerställ god ventilation till utrymmet för att skynda på avfrostningen.
2. När avfrostningen är klar ska enheten rengöras enligt beskrivningen ovan.

VAR FÖRSIKTIG! Använd inte vassa föremål för att avlägsna frost från enheten. När insidan är helt torr ska apparaten anslutas till eluttaget och slås på igen.

Rengöra dörrfacket

Följ riktningspilen i figuren nedan – använd sedan båda händerna för att klämma ihop brickan och trycka den uppåt för att ta ut den.

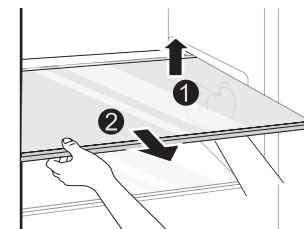
Efter att brickan har rengjorts kan du justera dess monteringshöjd efter behov.



Rengör glashyllan

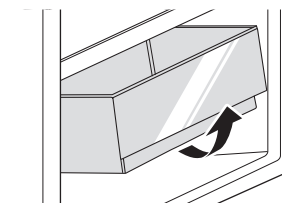
Vid den inre delen av kylskåpet finns en backspärr för hyllorna. Du måste lyfta hyllorna uppåt och sedan ta ut dem.

Justera eller rengör hyllorna efter behov.



Rengöra grönsakslådan

Ta bort innehållet från lådan. Håll i grönsakslådans handtag och dra ut den helt till det tar stopp. Lyft upp grönsakslådan och ta bort den genom att dra den utåt.



🔦 OBSERVERA

Skilnader: På grund av tekniska skillnader och olika modeller kan vissa av bilderna i den här bruksanvisning skilja sig från din modell.

FELSÖKNING

Följande enklare problem kan hanteras av användaren. Kontakta kundtjänst om problemen inte kan korrigeras.

Problem	Möjliga orsaker	Lösning
Fungerar inte	<ul style="list-style-type: none"> Strömförsörjningen är inte påslagen och kontakten är inte ordentligt isatt. Låg spänning, strömavbrott eller en del av kretsen har utlösts. 	<ul style="list-style-type: none"> Anslut i strömkabelns stickkontakt ordentligt. Kontrollera nätströmmen.
Lampan tänds inte	<ul style="list-style-type: none"> Apparaten är inte påslagen. Lampan är trasig. 	<ul style="list-style-type: none"> Koppla bort och anslut strömkabeln igen. Låt en behörig person byta ut lampan.
Frukt eller grönsaker är frysta	<ul style="list-style-type: none"> Har livsmedel placerats mot den bakre väggen i kylfacket? Området nära den bakre väggen är där temperaturerna är lägst. 	<ul style="list-style-type: none"> Placera inte mat som enkelt kan frysa mot den bakre väggen i kylfacket.
Kylen/frysaren blir för kall	<ul style="list-style-type: none"> Temperaturreglaget är inte korrekt inställt. 	<ul style="list-style-type: none"> Ställ in till en högre temperatur.
Kompressorn arbetar under en lång tidsperiod	<ul style="list-style-type: none"> Hög omgivningstemperatur skapar en längre arbetstid. För mycket mat har fyllets på samtidigt. Mat förvaras innan den har svalnat. Dörren öppnas för ofta. Frostskiktet inuti är för tjockt. 	<ul style="list-style-type: none"> Detta är normalt. Fyll inte på med för mycket mat samtidigt. Vänta till maten har svalnat innan den förvaras. Öppna inte dörren för ofta. Du måste avfrosta.
Dörren stängs inte ordentligt	<ul style="list-style-type: none"> Dörren har fastnat i ett föremål. För mycket mat har förvarats. Dörrens packning är deformerad. 	<ul style="list-style-type: none"> Ordna om livsmedlen i kylskåpet. Fyll inte på med för mycket mat. Värm dörrpackningen och kyl den sedan för att återställa dess form (använd en elektrisk hårtork eller varmvatten för att värma upp).
Den yttre väggen är varm	<ul style="list-style-type: none"> När apparaten är i drift avleds värme till utsidan genom metallrören inuti skåpet. Högre omgivningstemperaturer på sommaren kan göra att enhetens yttervägg blir varmare. 	<ul style="list-style-type: none"> Högre temperatur på den yttre väggen är normalt. Öka utrymmet där värmen kan avledas till eller placera apparaten på en välventilerad och sval plats.
Dörrkarmens kanter kan kännas varma vid beröring	<ul style="list-style-type: none"> Det finns metallrör i dörrkarmen som avger värme för att förhindra kondens. 	<ul style="list-style-type: none"> Detta är normalt.
Lukter	<ul style="list-style-type: none"> Mat har blivit dålig. Mat med stark lukt. Det inre facket är smutsigt. 	<ul style="list-style-type: none"> Rengör och ta bort all mat som har blivit dålig. Se till att mat med stark lukt är förpackad i en lufttät förpackning. Rengör det inre facket.
Kondens bildas på utsidan	<ul style="list-style-type: none"> Kondens kan bildas om luftfuktigheten i rummet är hög. 	<ul style="list-style-type: none"> Detta är normalt. Torka bort kondensen med en torr trasa.
Kondens bildas inne i kylen/frysaren	<ul style="list-style-type: none"> Kylfacket bibehåller en hög luftfuktighet för att hålla grönsaker och andra matvaror fräscha. Luftfuktigheten i rummet är för hög och dörren har öppnats ofta. Dörrens packning ligger inte an ordentligt. 	<ul style="list-style-type: none"> Torka bort kondensen med en torr trasa. Öppna inte dörrarna så ofta och håll dem inte öppna för länge. Kontrollera dörrens packning beträffande dess rengöring eller korrekt placering.

Vissa ljud kan höras under normal användning av kylskåpet. Dessa påverkar inte dess korrekta funktionalitet.

Ljud som enkelt kan förhindras:

- > Ljud som orsakas av apparaten inte är nivellerad – korriger nivelleringen med de justerbara framfötterna. Alternativt kan du placera kudde av ett mjukt material under de bakre rullarna. Detta gäller speciellt om apparaten är placerad på kakel.
- > Apparaten vidrör den intilliggande möbelen – flytta bort kylskåpet.
- > Lådor eller hyllor knarrar – ta ut och sätt tillbaka lådan eller hyllan.
- > Ljud från flaskor som klirrar – flytta isär flaskorna.

Ljud som hörs under normal användning beror huvudsakligen på att kompressorn (slås på) och kylsystemet (kylmedel flödar på grund av termisk expansion och sammandragning på kylaren) arbetar.

BILAGA

Speciellt för ny europeisk standard

De delar som anges i tabellen nedan kan erhållas via tjänsteleverantören.

Beställd komponent	Tillhandahålls av	Minsta tid som krävs för tillhandahållning
Termostat	Professionell underhållspersonal	Minst 7 år efter att den sista modellen har lanserats på marknaden
Temperatursensorer	Professionell underhållspersonal	Minst 7 år efter att den sista modellen har lanserats på marknaden
Kretskort	Professionell underhållspersonal	Minst 7 år efter att den sista modellen har lanserats på marknaden
Ljuskällor	Professionell underhållspersonal	Minst 7 år efter att den sista modellen har lanserats på marknaden
Dörrgångjärn	Professionella reparatörer och slutanvändare	Minst 7 år efter att den sista modellen har lanserats på marknaden
Dörrfack	Professionella reparatörer och slutanvändare	Minst 7 år efter att den sista modellen har lanserats på marknaden
Korgar	Professionella reparatörer och slutanvändare	Minst 7 år efter att den sista modellen har lanserats på marknaden
Dörrtätningar	Professionella reparatörer och slutanvändare	Minst 10 år efter att den sista modellen har lanserats på marknaden

OBSERVERA

Modellinformation och modellbeteckningen i produkt databasen kan hämtas via webbadressen som anges i QR-koden på energietiketten.

För mer information om apparatens energieffektivitet, gå till <https://eprel.ec.europa.eu> och sök på modellnamnet. Modellnamnet kan hittas apparatens typskylt.

SPECIFIKATION:

Modell: POCRI5177DN

Klimatklass: SN, N, ST, T

Märkspänning: 220–240 V~

Märkfrekvens: 50 Hz

Köldmedium: R600a (30 g)

Ljudnivå: 35 dB (klass B)

Power International AS,
PO Box 523, N-1471 Lørenskog, Norway

Power Norge:
<https://www.power.no/kundeservice/>
T: 21 00 40 00

Power Danmark:
<https://www.power.dk/kundeservice/>
T: 70 33 80 80

Punkt 1 Danmark:
<https://www.punkt1.dk/kundeservice/>
T: 70 70 17 07

Power Finland:
<https://www.power.fi/tuki/asiakaspalvelu/>
T: 0305 0305

Power Sverige:
<https://www.power.se/kundeservice/>
T: 08 517 66 000

