

Patriot LIGHTING®

INSTALLATION INSTRUCTIONS: 356-9474 (CL-SM1000L-2H) 1000 LUMEN SOLAR MOTION ACTIVATED SECURITY LIGHT



PRECAUTIONS:

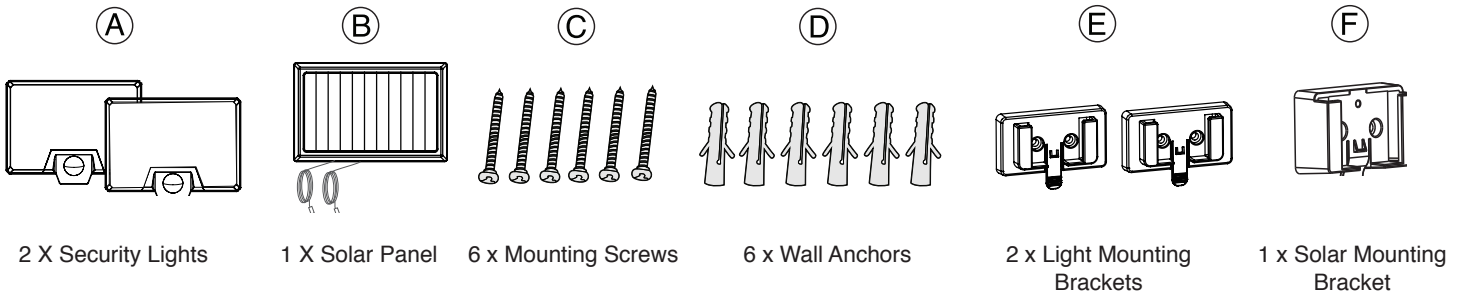
Please read and understand this entire manual before installing or operating this light fixture.

- This light fixture should be installed outdoors to a wall or eave.
- Do not cut the solar panel wire. Discontinue use if the wire becomes frayed or broken.
- Do not immerse components in liquid.
- Do not use any other charging device other than the single solar charging panel provided with this light. Doing so may result in injury or damage to the light and voids any warranty.
- Position the cord so it is securely fastened and will not result in hazards (such as tripping).
- Your motion light and solar panel are both water-resistant.
- Never look directly into the solar motion light when illuminated.
- Operating temperature -13°F to 113°F (-25°C to 45°C)

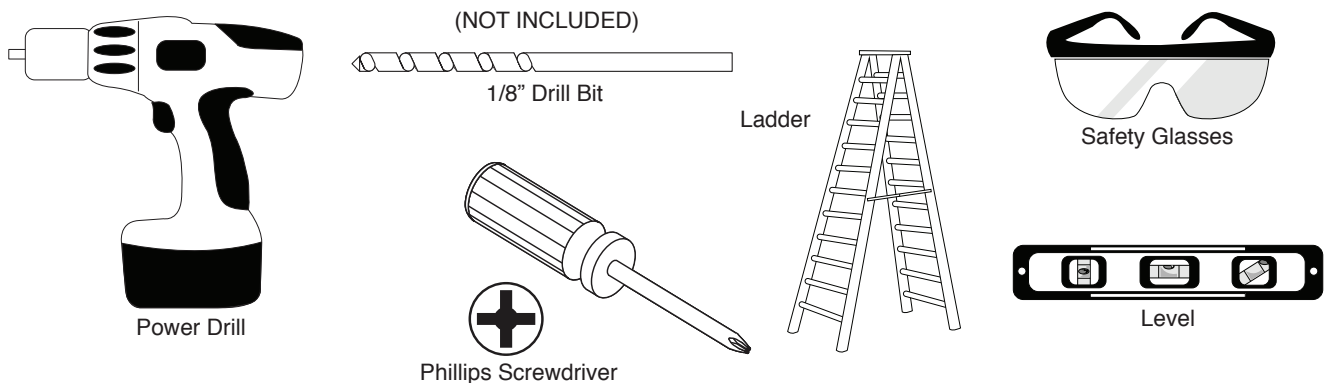
WARNING: To prevent **SERIOUS INJURY OR DEATH**, never allow children near the batteries. If a battery is swallowed, seek immediate medical attention.

WARNING: When replacing the battery, **DO NOT** use an old battery. Make sure to match the replacement battery specifications with the battery that has been removed (18650 3.7V Li-ion battery, 1800mAh). **DO NOT DISPOSE OF THE BATTERIES IN FIRE. BATTERIES MAY LEAK OR EXPLODE.**

HARDWARE:



TOOLS REQUIRED:



If you have questions or are missing parts, please contact customer service at 1-888-745-4837

Patriot
LIGHTING®

Patriot LIGHTING®

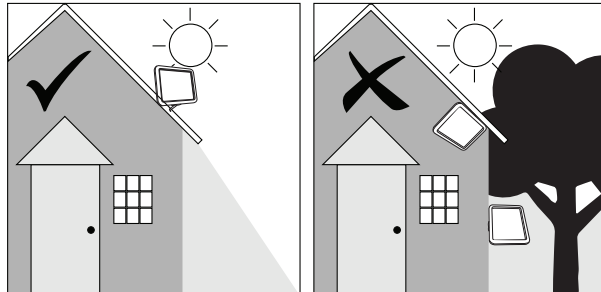
INSTALLATION INSTRUCTIONS: 356-9474 (CL-SM1000L-2H) 1000 LUMEN SOLAR MOTION ACTIVATED SECURITY LIGHT

RECOMMENDED INSTALL HEIGHT:

Install the light between 6.5-8.5 feet above the ground. The fixture will provide a detection distance of up to 40 feet.

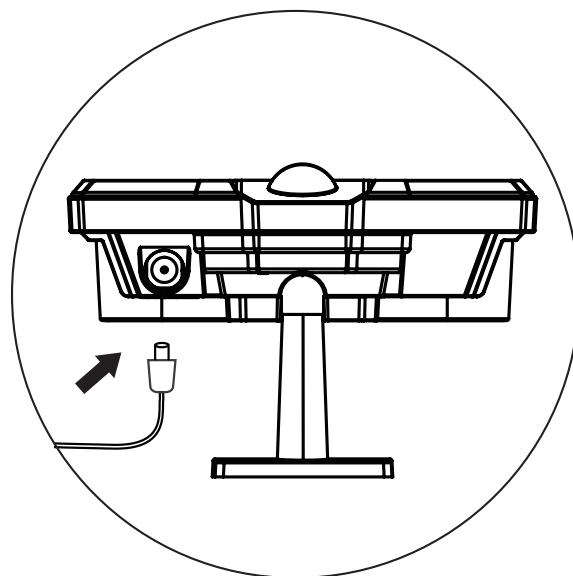
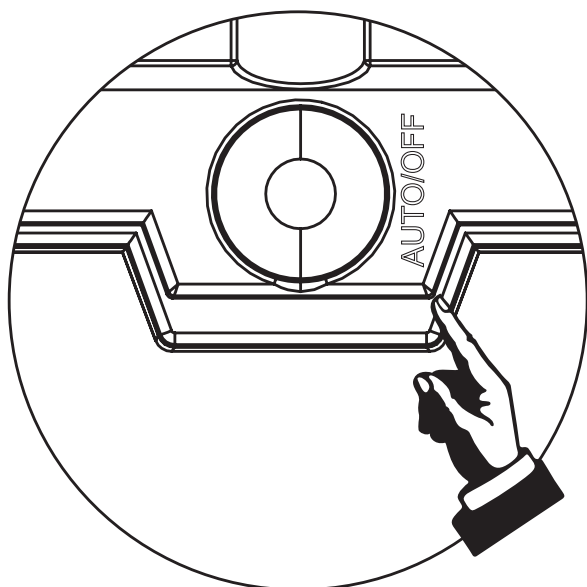
LOCATION OF SOLAR PANEL:

For the best results, install your solar panel in an area where it can absorb maximum sunlight during daytime hours. Be aware of objects such as trees or property overhangs that may impede the panel's ability to generate a charge.



PRE-INSTALLATION:

1. Before assembly, compare package contents with the hardware list to make sure all parts are present.
2. **Prior to installing the lights, an initial charge is needed and should be done in the OFF position for at least 1 to 2 days in direct sunlight before use (see page 3, fig 5 for mode selections). Make sure to plug the solar panel into the lights to charge the batteries. Afterward, the included rechargeable batteries will be charged sufficiently for operation.**
3. When fully charged and ready to install, select a suitable location that can support the weight of the fixture.
4. The solar panel comes with a 15 ft. wire. The maximum distance between the solar panel and light is 15 ft.
5. The motion sensor is light-sensitive. For best performance at night, ensure there is no interfering light preventing the sensor from working correctly
6. Estimated installation time: 15 Minutes

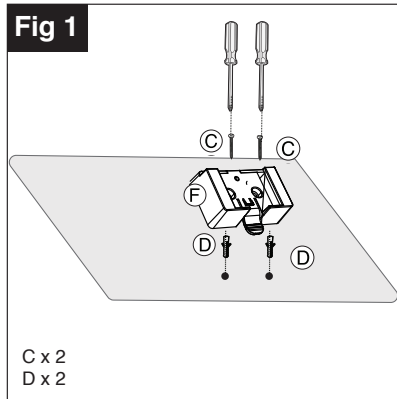


If you have questions or are missing parts, please contact customer service at 1-888-745-4837

Patriot
LIGHTING

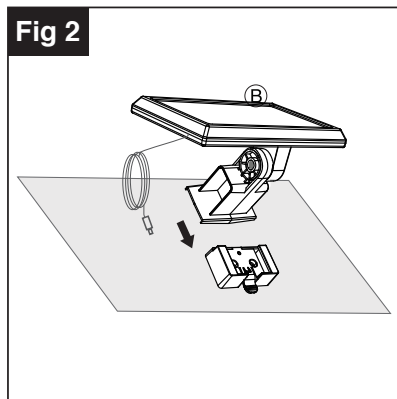
INSTALLATION INSTRUCTIONS: 356-9474 (CL-SM1000L-2H)
1000 LUMEN SOLAR MOTION ACTIVATED SECURITY LIGHT

INSTALLATION:



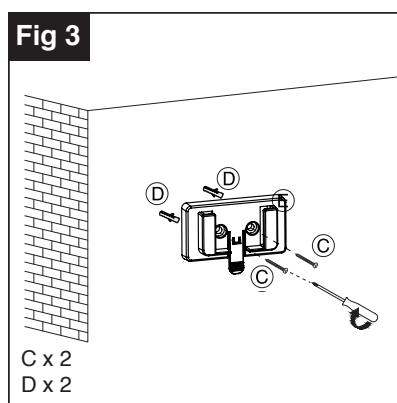
- 1** Select the desired position for the security light and solar panel. **The maximum distance between the security light and solar panel is 15 ft.**

Use a drill and a 1/8" drill bit to drill the holes on your preferred mounting surface utilizing the solar panel mounting bracket (F) screw holes as your guide. Use (2) wall anchors (D), insert into each hole, then use (2) screws (C) to fasten the mounting bracket (F) to the surface. Make sure the clip side is facing out as shown in Fig 1.

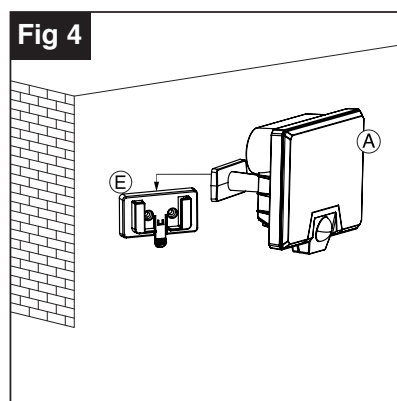


- 2** Connect the solar panel (B) to the solar mounting bracket (F) as shown in Fig 2.

Note: Make sure the distance between the light and solar panel are within 15 feet.



- 3** Use a drill and a 1/8" drill bit to drill the holes on your preferred mounting surface utilizing the light mounting bracket (E) screw holes as your guide. Use (2) wall anchors (D), insert into each hole, then use (2) screws (C) to fasten the mounting bracket (E) to the surface. Make sure the clip side is facing out as shown in Fig 3. Repeat for the bracket of the second light.



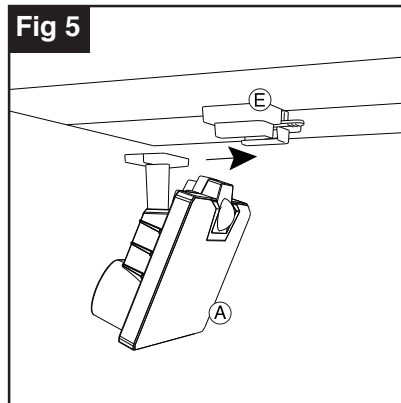
- 4** Connect the LED Light (A) to the light mounting bracket (E) as shown in Fig 4. Repeat for the second LED light.

Before connecting the light to the mounting bracket, switch the **Mode** to the **Auto** position (see Operation Guide below).

Note: Make sure the distance between the light and solar panel are within 15 feet.

INSTALLATION INSTRUCTIONS: 356-9474 (CL-SM1000L-2H) 1000 LUMEN SOLAR MOTION ACTIVATED SECURITY LIGHT

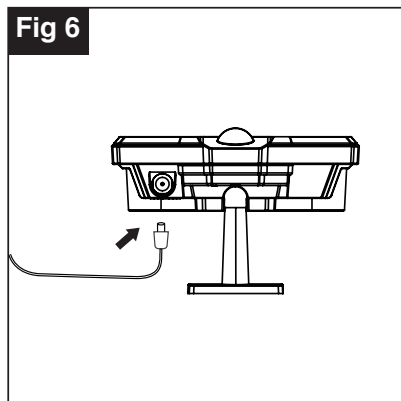
INSTALLATION (Continued):



5 If you are eave mounting the security light, ensure the ceiling is level and the fixture can support the weight of the light. Follow Fig 1 on page 2 to secure the bracket (E).

Before connecting the light to the mounting bracket, switch the **Mode** to the **Auto** position (see Operation Guide below).

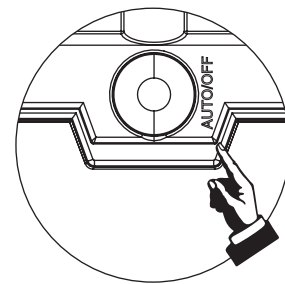
Connect the light (A) to the mounting bracket (E) as shown in Fig 5.



6 Connect each solar panel wire to each LED light as shown in Fig 5.
Installation is complete. You are now ready to enjoy your new LED security light.

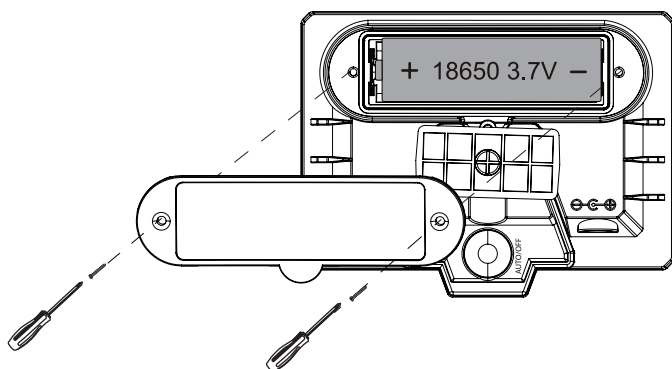
OPERATION GUIDE

After installation, press the mode button once to enter **Auto Mode**. The light will turn on for 3 seconds to indicate that Auto Mode has been activated. In Auto Mode, the light will turn on for 20 seconds when motion is detected (it won't turn on during daylight hours). Press the mode button again to enter **OFF Mode**. The light will turn off.



DETECTION: 120° detection zone up to 40'

REPLACING THE BATTERY



If the battery needs to be replaced, the battery housing panel is located on the back of each LED light. Make sure the units are in the OFF mode first. Unscrew the battery housing panel. Remove the old battery and replace it with a Li-ion rechargeable battery 18650 3.7V 1800mAh. Make sure the polarity is correct. Screw the cover back on and turn the light to Auto (On) Mode.

If you have questions or are missing parts, please contact customer service at 1-888-745-4837

INSTALLATION INSTRUCTIONS: 356-9474 (CL-SM1000L-2H) 1000 LUMEN SOLAR MOTION ACTIVATED SECURITY LIGHT

CARE AND MAINTENANCE:

- From time to time, ensure the plug between the solar panel and lights are securely connected.
- It is advisable to adjust the angle of the solar panel to optimize the exposure to the sun during the winter months.
- The solar panel should be cleaned with a damp cotton cloth regularly. That will ensure optimal performance and battery charging. Periodically, utilize the same technique to clean the lenses of the motion lights.
- Never let any abrasive material come into contact with the solar panel.

TROUBLESHOOTING:



Problem	Possible Cause	Solution
The light does not come on	The battery is dead	Replace the battery
	The solar panel is not positioned in direct sunlight	Position the solar panel so it gets direct sunlight
	The control dial is set to off	Check the time and mode settings to ensure light is not off
The light comes on during the day	The light may be mounted in an area that is too shaded	Relocate the light to an area that has more light and no obstructions
The light comes on when it shouldn't	The sensor may sensing small animals or traffic	Reposition the sensor
The lights flash or pulse	The battery may be low	Turn the unit off and allow the battery to recharge. Full charge between 1 and 3 days
	The sensor may be sensing shadows	Relocate the light to an area with less or no shadows

EYES:



- **DO NOT look directly at the LED lights.**
- **DO NOT remove the LED lights protective covering.**



This product has a **one-year limited warranty** from the date of purchase. This guarantees against failure due to factory defects, whether caused by materials or workmanship. The warranty is non-transferable and only pertains to the original purchaser. **Proof of purchase is required for any repair or replacement, so please keep your proof of purchase receipt.** This warranty does not cover normal wear and tear or damage due to misuse. Misuse of this product includes but is not limited to:

- Using outdoors in extreme weather conditions.
- Opening the product's housing.
- Any attempts to update, remodel or fix the unit yourself.

This device complies with Part 15 of the FCC rules. Operation is subject to the following two conditions: (1) this device may not cause harmful interference, and (2) this device must accept any interference received, including interference that may cause undesired operation.

If you have questions or are missing parts, please contact customer service at 1-888-745-4837