



## Freestanding Induction Ranges

### User Manual

Models:

REN20W2	REN20W2CA
REN20B3	REN20B3CA
REN20SS4	REN20SS4CA
REN24W5	REN24W5CA
REN24B6	REN24B6CA
REN24SS7	REN24SS7CA
LRIND20W	LRIND20WCA
LRIND20B	LRIND20BCA
LRIND20SS	LRIND20SSCA
LRIND24W	LRIND24WCA
LRIND24B	LRIND24BCA
LRIND24SS	LRIND24SSCA
PROND2010SS	PROND2010SSCA
PROND2420SS	PROND2420SSCA

**BEFORE USE, PLEASE READ AND FOLLOW ALL SAFETY RULES AND OPERATING INSTRUCTIONS**

Model Number:

Serial Number:

Felix Storch, Inc.  
ISO 9001:2015 registered company  
770 Garrison Avenue  
Bronx, NY 10474  
[www.summitappliance.com](http://www.summitappliance.com)

# TABLE OF CONTENTS

IMPORTANT SAFTEY NOTES.....	1-7
WIRING DIAGRAM.....	8-9
BEFORE USING YOUR RANGE.....	10
PARTS & FEATURES.....	11
WALL CLEARANCES & ANTI-TIP BRACKET.....	12 - 13
HOW TO INSTALL THE BACKSPLASH.....	14
OPERATION OF OVEN.....	15-17
OPERATION OF COOKTOP.....	18-19
ERROR CODES.....	20
COOKTOP SAFETY.....	21
CARE AND MAINTENANCE.....	22 - 23
CLEANING THE RANGE.....	24-25
TROUBLESHOOTING.....	26
LIMMITED WARRANTY.....	28

# IMPORTANT SAFETY NOTES

## ELECTROMAGNETIC INTERFERENCE (EMI)

The induction range (device) covered in this user manual complies with Part 18 of the FCC Rules.

The induction range may cause interference to radio equipment and should not be installed near maritime safety communications equipment or other critical navigation or communication equipment operating between **0.45-30MHz**.

## Radio Frequency Devices

The induction range (device) covered in this user manual complies with Part 15 of the FCC Rules. Operation is subject to the following two conditions: (1) This device may not cause harmful interference, and (2) this device must accept any interference received, including interference that may cause undesired operation.



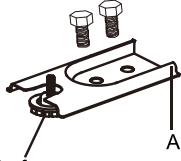
## Class B device


**NOTE:** This induction range (equipment) has been tested and found to comply with the limits for a Class B digital device, pursuant to part 15 of the FCC Rules. These limits are designed to provide reasonable protection against harmful interference in a residential installation. This equipment generates, uses and can radiate radio frequency energy and, if not installed and used in accordance with the instructions, may cause harmful interference to radio communications. However, there is no guarantee that interference will not occur in a particular installation. If this equipment does cause harmful interference to radio or television reception, which can be determined by turning the equipment off and on, the user is encouraged to try to correct the interference by one or more of the following measures:


- Reorient or relocate the receiving antenna.
- Increase the separation between the equipment and receiver.
- Connect the equipment into an outlet on a circuit different from that to which the receiver is connected.
- Consult the dealer or an experienced radio/TV technician for help.

# IMPORTANT SAFETY NOTES

## ANTI-TIP DEVICE

	<p style="text-align: center;"> <b>WARNING</b></p> <p style="text-align: center;"><b><u>Tip-Over Hazard</u></b></p> <p>A child or adult can tip the range and be killed Verify the anti-tip bracket has been installed. Ensure the anti-tip bracket is engaged when the range is moved. Do not operate the range without anti-tip bracket in place. Failure to follow these instructions can result in death or serious burns to children and adults.</p>
 <p>Rear foot of range      Anti-Tip Device</p>	
<p><b><u>CONSUMER INFORMATION – THE INSTALLER SHALL NOT REMOVE</u></b> Before removing label, ensure anti-tip bracket is properly installed.</p>	

 **WARNING: This product can expose you to chemicals including Nickel (Metallic) which is known to the State of California to cause cancer.**  
**For more information go to [www.P65Warnings.ca.gov](http://www.P65Warnings.ca.gov)**  
Note: Nickel is a component in all stainless steel and some other metallic compositions.

 **WARNING**

Never operate the top surface cooking section of the appliance unattended.  
If the shutdown button fails, do not perform any other operation, the induction cooker will automatically shut down after two hours.  
Failure to follow this warning statement may result in fire, explosion or burn hazard that could cause property damage, personal injury or death.  
If a fire should occur, keep away from the appliance and immediately call your fire department. **DO NOT ATTEND TO EXTINGUISH AN OIL/GREASE FIRE WITH WATER**

# IMPORTANT SAFETY NOTES

## GENERAL

- 1) Proper Installation – Be sure your appliance is properly installed and grounded by a qualified technician.
- 2) Never Use Your Appliance for Warming or Heating the Room.
- 3) Do Not Leave Children Alone – Children should not be left alone or unattended in area where appliance is in use. They should never be allowed to sit or stand on any part of the appliance.
- 4) Wear Proper Apparel – Loose-fitting or hanging garments should never be worn while using the appliance.
- 5) User Servicing – Do not repair or replace any part of the appliance unless specifically recommended in the manual. All other servicing should be referred to a qualified technician.
- 6) Storage in or on Appliance – Flammable materials should not be stored in an oven or near surface units.
- 7) Do Not Use Water on Grease Fires – Smother fire or flame or use dry chemical or foam type extinguisher.
- 8) Use Only Dry Potholders – Moist or damp potholders on hot surfaces may result in burns from steam. Do not let potholder touch hot heating elements. Do not use a towel or other bulky cloth.

## SURFACE COOKING UNITS

- 1) Use Proper Pan Size – This appliance is equipped with one or more surface units of different size. Select utensils having flat bottoms large enough to cover the surface unit heating element. The use of undersized utensils will expose a portion of the heating element to direct contact and may result in ignition of clothing. Proper relationship of utensil to burner will also improve efficiency.
- 2) Never Leave Surface Units Unattended at High Heat Settings – Boil over causes smoking and greasy spillovers that may ignite.
- 3) Make Sure Reflector Pans or Drip Bowls Are in Place – Absence of these pans or bowls during cooking may subject wiring or components underneath to damage.
- 4) Protective Liners – Do not use aluminum foil to line surface unit drip bowls or oven bottoms, except as suggested in the manual. Improper installation of these liners may result in a risk of electric shock, or fire.
- 5) Glazed Cooking Utensils – Only certain types of glass, glass/ceramic, ceramic, earthenware, or other glazed utensils are suitable for range-top service without breaking due to the sudden change in temperature.
- 6) Utensil Handles Should Be Turned Inward and Not Extend Over Adjacent Surface Units – To reduce the risk of burns, ignition of flammable materials, and spillage due to unintentional contact with the utensil, the handle of a utensil should be positioned so that it is turned inward and does not extend over adjacent surface units.
- 7) Do Not Soak Removable Heating Elements – Heating elements should never be immersed in water.

## OVENS

- 1) Use Care When Opening Door – Let hot air or steam escape before removing or replacing food.
- 2) Do Not Heat Unopened Food Containers – Build-up of pressure may cause container to burst and result in injury.
- 3) Keep Oven Vent Ducts Unobstructed.
- 4) Placement of Oven Racks – Always place oven racks in desired location while oven is cool. If rack must be moved while oven is hot, do not let potholder contact hot heating element in oven.

## GLASS/CERAMIC COOKING SURFACES

- 1) Do Not Cook on Broken Cook-Top – If cook-top should break, cleaning solutions and spillovers may penetrate the broken cook-top and create a risk of electric shock. Contact a qualified technician immediately.
- 2) Clean Cook-Top With Caution – If a wet sponge or cloth is used to wipe spills on a hot cooking area, be careful to avoid steam burn. Some cleaners can produce noxious fumes if applied to a hot surface.

## IMPORTANT SAFETY NOTES

**USER SERVICING:** Do not repair or replace any part of the appliance unless specifically recommended in this owner's guide. Only a qualified technician should do all other servicing. This will reduce the risk of personal injury and damage to the range.

**Storage in or on appliance:** Flammable materials should not be stored in an oven, near surface burners or in the broiler section. This includes paper, plastic and cloth items, such as cookbooks, plastic ware and towels, as well as flammable liquids. Do not use the oven for storage. Do not store explosives, such as aerosol cans, on or near the range.

**Remove the oven door from any unused range if it is to be stored or discarded.**

**Stepping, leaning or sitting on the doors or broiler section of this range can result in serious injuries and cause damage to the range.**



The following situations could cause bodily injury or property damage.

**DO NOT TOUCH SURFACE BURNERS, AREAS NEAR THESE BURNERS, OVEN BURNERS OR INTERIOR SURFACES OF THE OVEN.** Both surface burners and oven burners may be hot even though off. Areas near surface burners may become hot enough to cause burns. During and after use, do not touch, or let clothing or other flammable materials touch these areas until they have had sufficient time to cool. Among these areas are the range, surfaces facing the range, the oven vent openings and surfaces near these openings, oven door and windows.



**NEVER use this appliance as a space heater to heat or warm the room.**

**Wear proper apparel.** Loose fitting or hanging garments should never be worn while using the appliance. Do not let clothing or other flammable materials contact surface burners or interior surfaces of the oven until they have had sufficient time to cool.

**Never modify or alter the construction of the range.** Do not remove leveling legs, panels, wire covers, anti-tip brackets or any other permanent part of the product.

**When heating fat or grease, watch it closely.** Fat or grease may catch fire if allowed to become too hot.

**Do not use water or flour on grease fires.** Smother the fire with a pan lid, baking soda or use a dry chemical or foam-type extinguisher.

**Operation of the Surface Burners.** When the burners are operated for the first time, a small amount of smoke may be generated due to tape residue or manufacturing lubrication, **this is not dangerous.** Operate the burners for about five minutes to rid the burners of this material before cooking.

**Use only dry potholders.** Wet or damp potholders on hot surfaces could result in burns from steam. Do not let the potholder touch hot heating areas. Do not use a towel or other bulky cloth instead of a potholder.



**NEVER cover any slots, holes or passages in the oven bottom or cover an entire rack with materials such as aluminum foil.**

Doing so blocks air flow through the oven and may cause carbon monoxide poisoning. Aluminum foil linings may also trap heat, causing a fire hazard. Refer to the cleaning section of this manual for more information on the use of aluminum foil.

# IMPORTANT SAFETY NOTES

## WARNINGS

Destroy the carton and plastic bags after the range is unpacked. Children should not use packaging material for play. Cartons covered with rugs, bedspreads, or plastic sheets can become airtight chambers. Remove all staples from the carton. Staples can cause severe cuts and destroy finishes if they come in contact with other appliances or furniture.

**Be safety conscious.** The preparation of food in an oven requires temperatures that could cause severe burns. Before using this new appliance, carefully read and follow all instructions.

**The following situations may cause serious bodily harm, death or property damage.**

**TO REDUCE THE RISK OF TIPPING OF THE RANGE, THE RANGE MUST BE SECURED BY A PROPERLY INSTALLED ANTI-TIP BRACKET PROVIDED WITH THE RANGE. TO CHECK IF THE DEVICE IS INSTALLED AND ENGAGED PROPERLY, CAREFULLY TIP THE RANGE FORWARD. THE ANTI-TIP DEVICE SHOULD ENGAGE AND PREVENT THE RANGE FROM TIPPING OVER. REFER TO THE INSTALLATION INSTRUCTIONS PACKAGED WITH THE ANTI-TIP BRACKET FOR PROPER ANTI-TIP BRACKET INSTALLATION.**

- **Never leave children alone or unattended in the area where an appliance is in use.** They should never be allowed to sit or stand on any part of the appliance. Never leave the oven door open when the range is unattended.
- **Do not store items of interest to children in the cabinets above a range or on the backguard of a range.** Children climbing on the range to reach the items could be seriously injured.
- **Do not allow children to climb or play around the range.** The weight of a child on an open oven door may cause the range to tip, resulting in serious burns or other injury.

**IMPORTANT:** Observe all governing codes and ordinances. Do not obstruct flow of heat and ventilation.

**CAUTION:** THE DOOR IS HOT DURING OVEN USE, KEEP CHILDREN OFF. USE THE HANDLE. ALWAYS USE THE OVEN WITH THE DOOR CLOSED.

**CAUTION:** DISCONNECT APPLIANCE FROM THE ELECTRIC SUPPLY BEFORE REMOVING THE LAMP COVER.

**WARNING:** DO NOT STORE FLAMMABLE MATERIALS INSIDE THIS DRAWER.

**WARNING:** TO REDUCE THE RISK OF IGNITION OF SURROUNDING COMBUSTIBLE MATERIALS, INSTALL 20 INCHES FROM LEFT SIDEWALL, 3 INCHES FROM RIGHT SIDEWALL AND 3 INCHES FROM REAR WALL. INSTALL IN ACCORDANCE WITH THE MANUFACTURER'S INSTRUCTIONS.

**CAUTION:** USE SUPPLY WIRES SIZE 10AWG MINIMUM SUITABLE FOR 194°F (90°C).

## IMPORTANT SAFETY NOTES

**Placement of oven racks:** Always place an oven rack in the desired location while the oven is cool. If a rack must be moved when the oven is hot, use potholders and grasp the rack with both hands to reposition. Do not let potholders contact hot oven walls. Remove all cookware from the rack before moving.

**Do not heat unopened food containers.** Build-up of pressure may cause the container to burst and result in injury.

**Keep the oven vent duct unobstructed.** The oven vent is located along the bottom of the back guard. Touching the surfaces in the vent area when the oven is being operated may cause severe burns. Also, do not place plastic or heat-sensitive items on or near the oven vents. These items could melt or ignite. The range requires fresh air for proper burner combustion. Do not block the flow of air around the base or beneath the lower front panel of the range.

**Use care when opening oven door: Stand to the side of the oven when opening the oven door.** Slowly open the door to allow hot air or steam to escape before removing or replacing food.

**Cookware handles should be turned inward and not extend over adjacent surface burners.** To reduce the risk of burns, ignition of flammable materials, and spillage due to unintentional contact with the cookware, the handle of a cookware should be positioned so that it is turned inward, and does not extend over adjacent surface burners.

**Never leave the surface burners unattended.** Boilovers may cause smoking, greasy spill-overs may catch fire or a pan which has boiled dry may melt.

**Do not place hands between the spring tension hinge and the oven door frame when you are removing the oven door.** You could pinch your fingers.

**Allow parts to cool to room temperature before touching or removing them from the range.** When a surface burner is first turned off, the burner and grate are hot enough to cause burns.

**When removing appliance for cleaning and/or service:**

- Disconnect AC power supply.
- Carefully remove the range by pulling outward.

**CAUTION:** Range is heavy. Use care in handling.

**Never clean appliance parts with flammable fluids.** These fumes can create a fire hazard or explosion. And do not store or use gasoline or other flammable vapors and liquids in the vicinity of this or any other appliance. The fumes can create a fire hazard or explosion.

**Before proceeding with cleaning and maintenance operations,** make sure the power line of the unit is disconnected.

**Do not attempt to repair or replace any part of your appliance** unless it is specifically recommended in this manual. All other servicing should be referred to a qualified technician

**Clean the range regularly to keep all parts free of fat or grease, which could catch fire.** Exhaust fan ventilating hoods and grease filters should be clean. Do not allow fat or grease to accumulate. Greasy deposits in the fan could catch fire. Refer to the hood manufacturer's instructions for cleaning.

## IMPORTANT SAFETY NOTES

**Glazed cookware:** Only certain types of glass, glass/ceramic, ceramic, earthenware, or other glazed cookware are suitable for range top service without breaking, due to the sudden change in temperature. Check the manufacturer's recommendations for range top use.

**WARNING: Do not place lids on top of glass cooking surface when hot. Shattered cooktops could happen when heat is trapped between the lid and the glass stove top, creating a strong vacuum seal. The air is forcefully sucked out and shatters the glass (This is not covered by your warranty).**

**Do not place plastic salt and pepper shakers, spoon holders or plastic wrappings on top of the range.** These items could melt or ignite. Pot holders, towels or wooden spoons could catch fire if placed too close to the heat.

**Do not use a wok equipped with a metal ring.**

**Do not clean the oven door gasket.** The door gasket is essential for a good seal. Care should be taken not to rub, damage or move the gasket.

**It's good practice for each household to have an appropriate fire extinguisher for use in the event of a house fire.**

**NOTE:** When installing or removing the range for service, a rolling life jack should be used. Do not push against any of the edges of the range in an attempt to slide it into or out of the installation. Pushing or pulling a range (rather than using a lift jack) also increases the possibility of bending the leg spindles or the internal coupling connectors.

**NOTE:** The instructions appearing in this owner's guide are not meant to cover every possible condition and situation that may occur. Common sense and caution must be practiced when operating and maintaining any appliance.



### ELECTRICAL GROUNDING INSTRUCTIONS

**FOR PERSONAL SAFETY, THIS APPLIANCE MUST BE PROPERLY GROUNDED.**

This appliance is equipped with a four-prong grounding plug for your protection against shock hazard and should be plugged directly into a properly grounded socket. Do not cut or remove the grounding prong from the plug.

Do not under any circumstances cut or remove the third (ground) prong from the power plug. Electrical installation should comply with national and local codes.

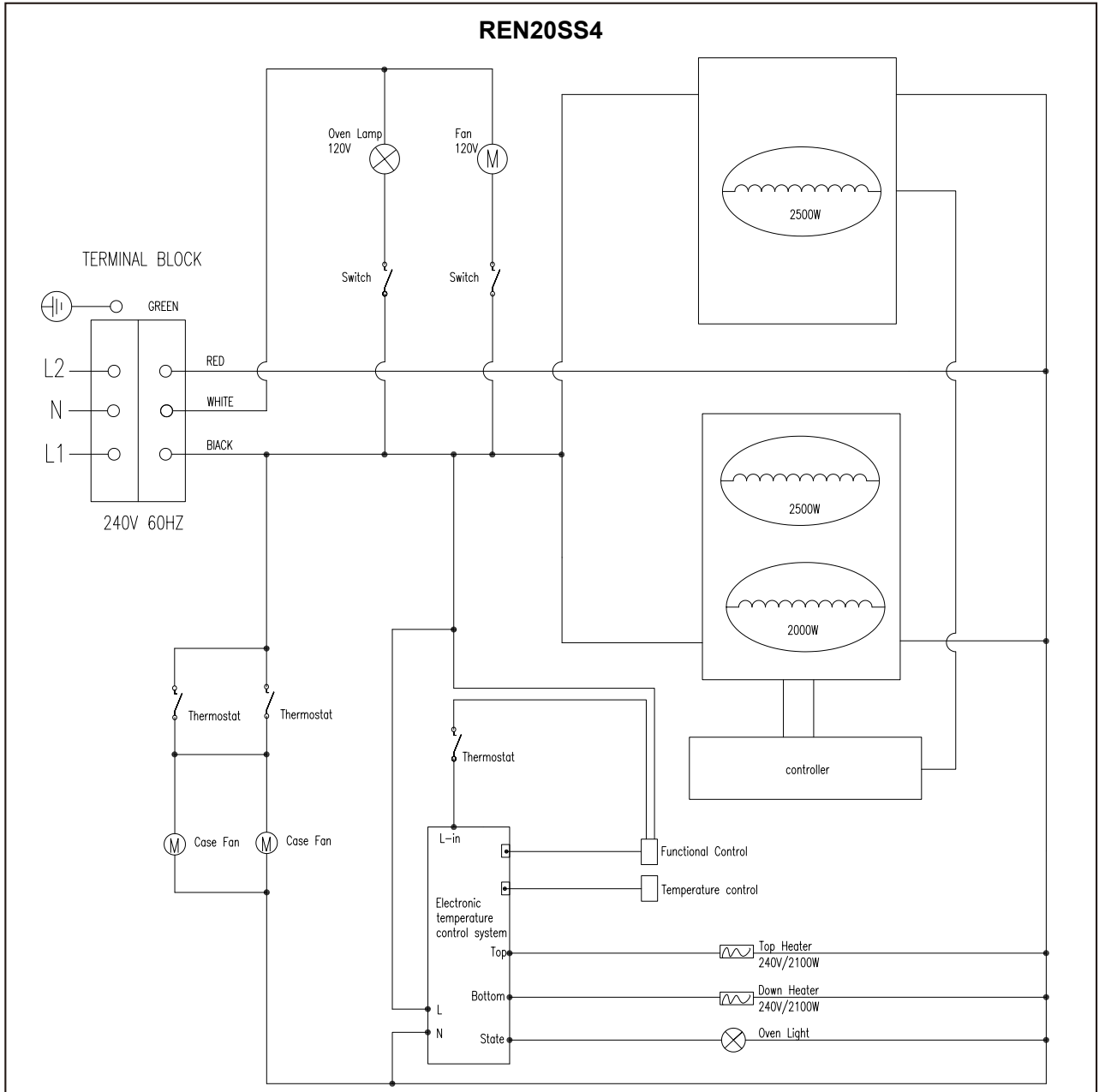
It is recommended that a separate circuit, serving only your appliance be provided. Use receptacles that cannot be turned off by a switch or pull chain.

### REPLACEMENT PARTS

To order replacement parts, visit our website: [summitapplianceparts.com](http://summitapplianceparts.com)

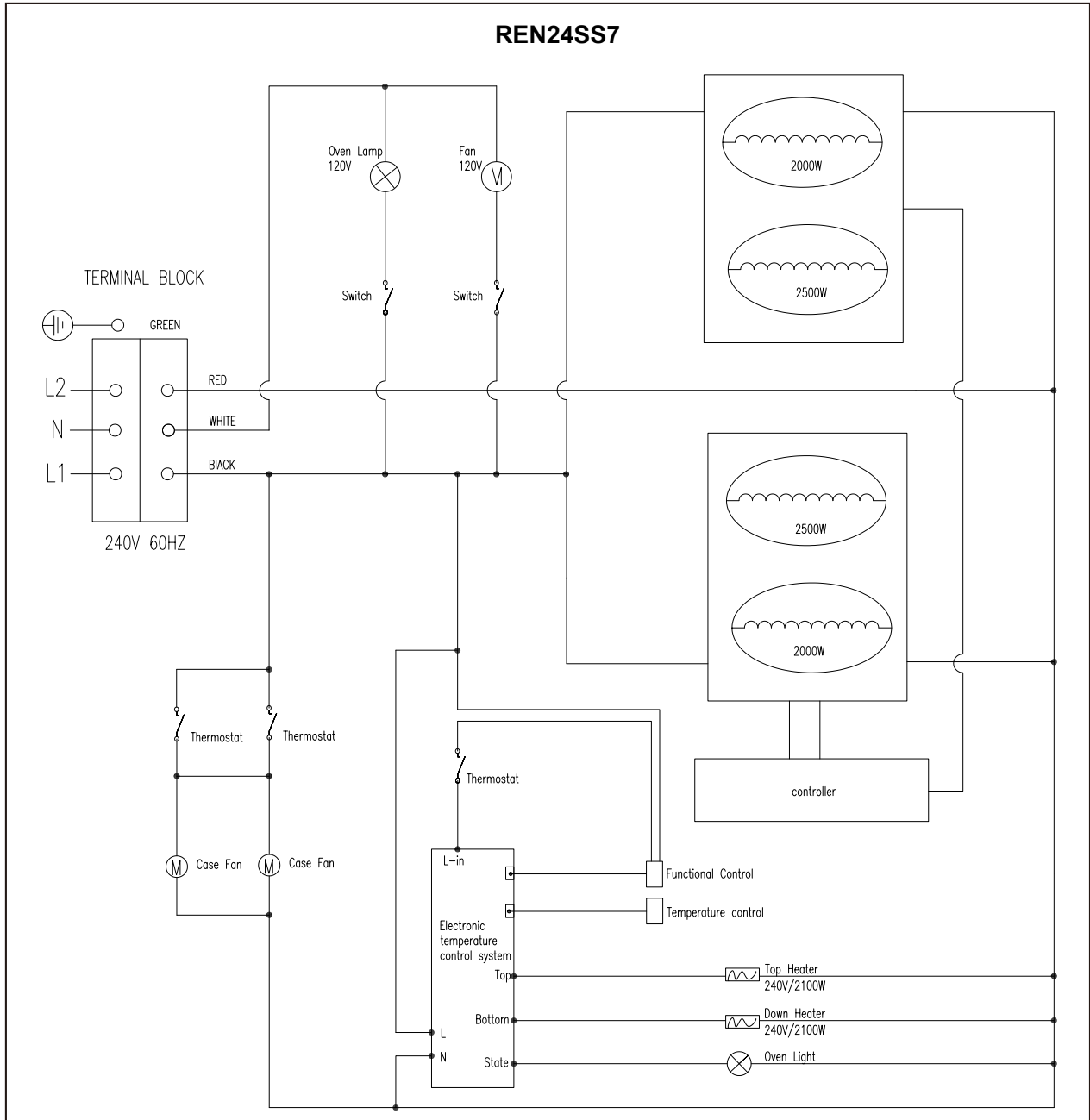
# WIRING DIAGRAM

## 20" Wide Range



# WIRING DIAGRAM

## 24" Wide Range



# BEFORE USING YOUR RANGE



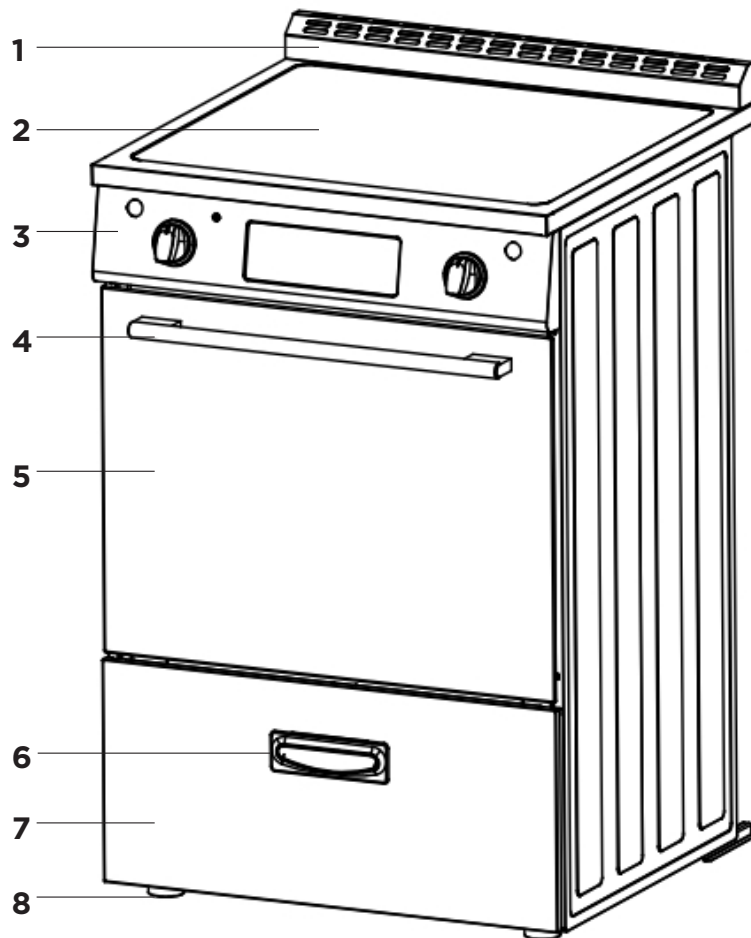
**HAVE THIS RANGE INSTALLED BY A QUALIFIED INSTALLER.**

***Improper installation, adjustment, alteration or maintenance can cause injury or property damage. Consult a qualified installer or service agency. It must be properly positioned and installed as described in this manual, so read the manual carefully. To reduce the risk of fire, electrical shock or injury when using the appliance, follow basic precaution, including the following:***

## **BEFORE USING YOUR ELECTRIC RANGE:**

1. Remove the exterior and interior packing.
  2. Remove the protective film on steel and aluminum parts.
  3. Check to be sure you have all of the parts listed below:
    - 1 **Backsplash**
    - 2 **Screws (for backsplash)**
    - 2 **Anti-tip brackets**
    - 1 **Oven rack**
    - 1 **Enamel tray**
    - 1 **Instruction/Installation manual**
- 
- Clean the interior surface with lukewarm water using a soft cloth.
  - Have your range installed and properly grounded by a qualified installer in accordance with the installation instructions.
  - Do not attempt to repair or replace any part of your range unless it is specifically recommended in this manual.
  - Do not remove permanently affixed labels, warnings, or plates from the unit. This may void the warranty.
  - The installer should leave these instructions with the consumer who should retain for local inspectors use and for future reference.
  - Please observe all local and national codes and ordinances.

## PARTS & FEATURES



1. Backsplash with integrated oven vents
2. Cooktop
3. Control panel
4. Oven Handle
5. Oven Door
6. Storage Drawer Handle
7. Storage Drawer
8. Leveling Legs (4)

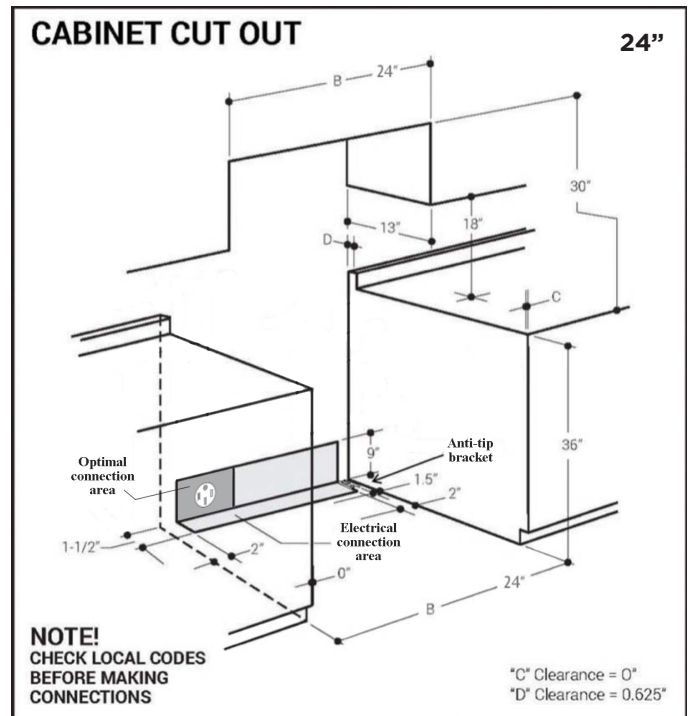
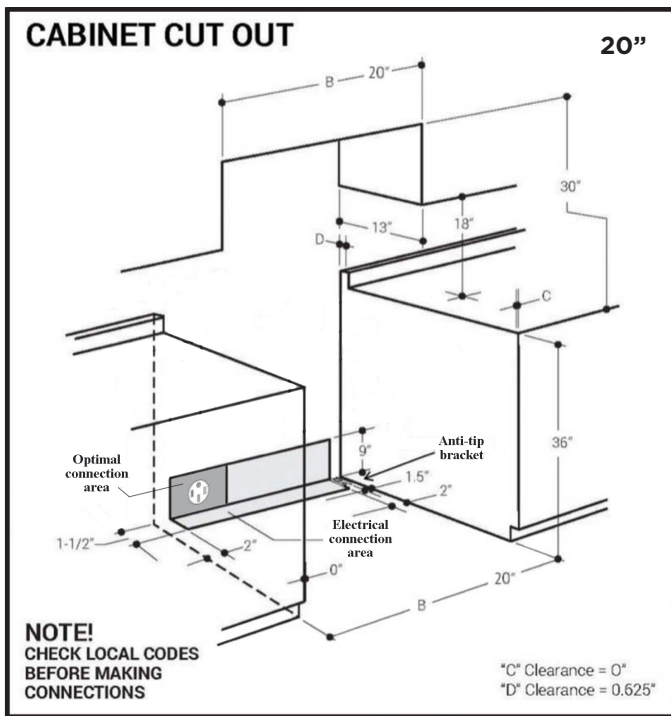
# WALL CLEARANCES & ANTI-TIP BRACKET

All units must be installed in accordance to minimum rear and side wall clearance and clearances extended vertically above cooking top which are stated on the serial plate located at the back of the range.

ANY OPENINGS IN THE WALL BEHIND THE UNIT AND IN THE FLOOR UNDER THE UNIT MUST BE SEALED.

**Note:** Due to potential hazards it is recommended that storage cabinets NOT be installed above the cooking surface.

IN THE EVENT OVERHEAD CABINETS ARE INSTALLED, THE MAXIMUM DEPTH OF CABINETS INSTALLED ABOVE COOKING TOPS SHOULD BE 13" (33 CM).

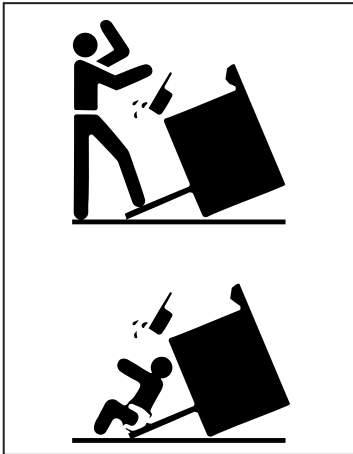


## WALL CLEARANCES & ANTI-TIP BRACKET (continued)

### WARNING

#### LEVELLING A FREE-STANDING RANGE

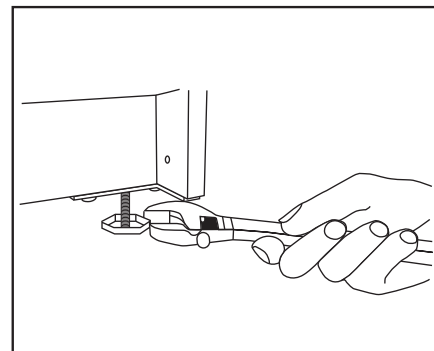
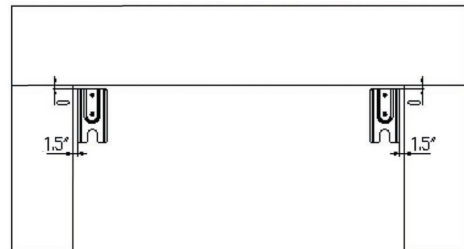
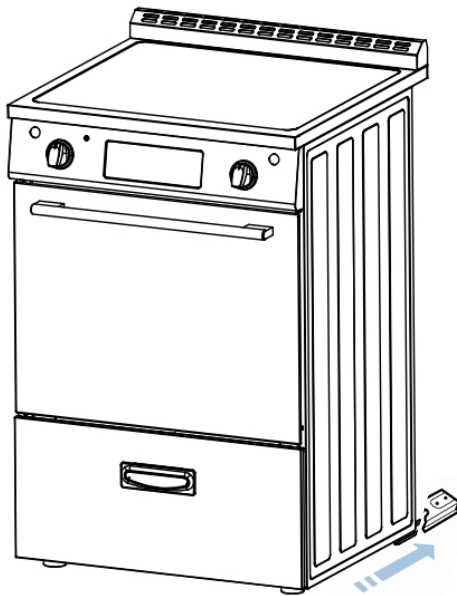
All free-standing ranges must be level to obtain proper cooking results. The leveling legs should be screwed into the corner brackets. Place pan or measuring cup partially filled with water or a level on the oven rack. Adjust the leveling legs until the range is level. The top of the side panels should be level with the counter top.



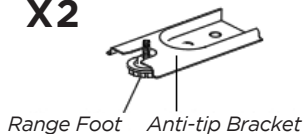
### WARNING

A child or adult can tip the range and be killed. Install the anti-tip device to the structure and/or the range. Verify the anti-tip device has been properly installed and engaged. Engage the range to the anti-tip device by ensuring the anti-tip device is re-engaged when the range is moved. Re-engage the anti-tip device if the range is moved. Do not operate the range without the anti-tip device in place and engaged. See installation instructions for details. Failure to do so can result in death or serious burns to children or adults.

#### ANTI-TIP BRACKET INSTALLATION



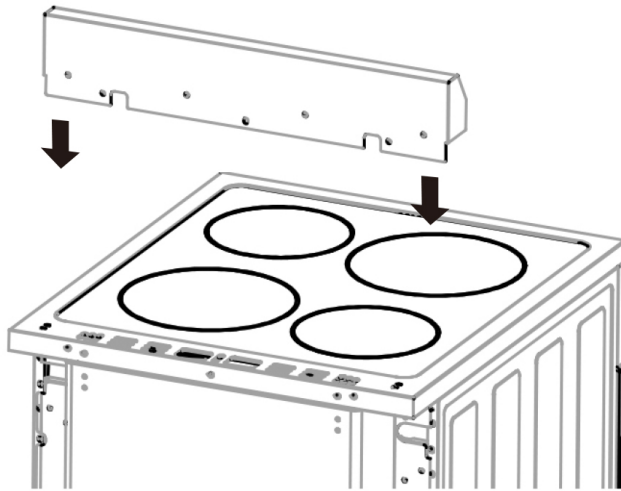
X2



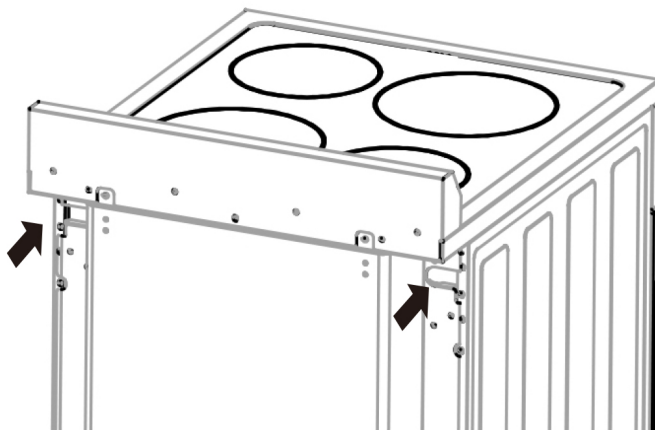
#### Making sure the anti-tip bracket is installed:

- Slide range forward.
- Look for the anti-tip bracket securely attached to floor.
- Slide range back so rear range foot is under anti-tip bracket.

## HOW TO INSTALL THE BACKSPLASH



1. Align the backsplash to the rear part of the cooktop as shown in the diagram.



2. Secure the backsplash to the cooktop from the back using the 2 Phillips head screws provided as shown in the diagram.

# OPERATION OF OVEN

When the element is powered on, the indicator light will illuminate regardless of the heat setting, as long as one or more elements are activated. The control offers a variable power output, ranging from low to high, with multiple adjustment positions. Turn the knob to the 'high' setting to increase the heat, and to the 'low' setting to decrease it.

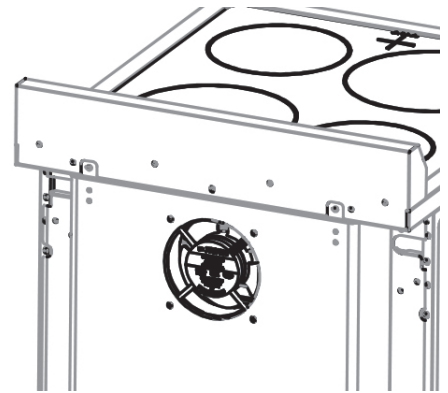
**Important:** To turn on, press the control knob inward then turn.

**NOTE:** The cooling fan at the back of the range operates periodically to regulate the temperature inside the control panel. It is normal to hear the fan while the range is in use.

**To prevent overcooking, remove pots and pans from the cooktop once the food is cooked. Avoid placing any objects on the cooktop until it has cooled completely.**

## WARNING

Ensure that cookware handles do not extend beyond the edge of the range to prevent accidental bumps. This also helps to make it difficult for children to reach the pots and pans.



## COOKWARE TIPS

The physical condition of your pots and pans influence the performance of any cooking systems.

**It is essential to use the appropriate cookware for optimal results.**

- Use cooking vessels with flat bottoms and tight-fitting lids to conserve energy and reduce cooking time.
- Only cookware made from magnetic materials, such as cast iron or certain types of stainless steel, is suitable for use on induction cooktops. Glass, glass/ceramic, ceramic, earthenware, and other glazed cookware will not work unless they have a magnetic base. For glass cookware, manufacturers recommend using low to medium heat settings if compatible.
- The size of the pan should match the size of the cooking element. A slightly larger pan helps cover the entire element, preventing spillovers from contacting the heat surface and burning. Using a smaller pan than the element size wastes energy.
- To minimize spattering and improve efficiency, ensure the bottom of the pan is clean and dry before placing it on the cooktop.

## OVEN CONTROLS

The oven is operated using two separate knobs:

### 1. Broil/Oven Knob

The broil/oven knob is used to select the cooking mode. When the knob is set on the standby position (middle), the heating elements will not operate.

### 2. Oven Temperature Knob

The temperature knob is used to adjust the oven temperature.

## USING THE OVEN

1. Select the desired cooking option (Broil or Bake) using the **Broil/Oven Knob**.
2. Set the temperature using the **Temperature Knob**.

## OPERATION OF OVEN (continued)

### BAKING MODE:

1. Switch the broil/oven knob to the **OVEN** option.
2. Turn the oven temperature knob clockwise to select the desired temperature (up to a maximum of 500°F).
3. To power off the oven, rotate the oven temperature knob to the **OFF** position (center) and switch the broil/oven knob to the standby position (center).

Your range can be used for both broiling and baking. The oven features two separate heating elements for these functions, which are:

Broil – 2100W (upper heating element)

Bake – 2100W (lower heating element)

**CAUTION:** The oven door becomes very hot during operation. Keep children well out of reach.

**WARNING:** When the door is hot, use the handle

**WARNING:** After use, power off the oven mode knob and oven temperature knob

### BROILER MODE:

1. Switch the broil/oven knob to the **BROIL** option.
2. Turn the oven temperature knob clockwise to **MAX** to activate the broiler.
3. To turn off the broiler, turn the oven temperature knob to the **OFF** position (center) and switch the broil/oven knob to the standby position (center).

**Note:** The **BROIL** option operates at a fixed **MAX** temperature, with no temperature modulation.

### BROILING INSTRUCTIONS:

1. Place the meat on the broil grid in the broiler pan. Always use the grid to allow fat to drip into the pan; otherwise, juices may cause a fire hazard.

**NOTE: Never broil without the broiler pan.**

2. Position the broiler pan on the second rack from the top.
3. Set the broil/oven knob to the **BROIL** option.
4. Turn the oven temperature knob to the maximum temperature of 500°F.
5. To turn off the oven, rotate the oven temperature knob to the **OFF** position (center) and switch the broil/oven knob to the standby position (center).

### IMPORTANT:

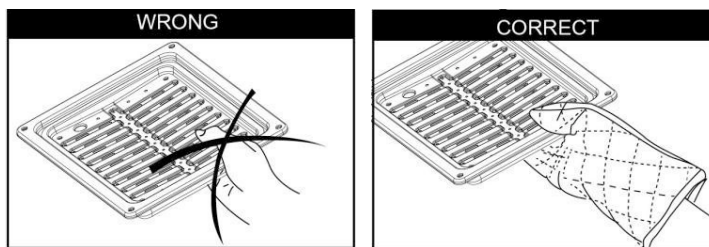
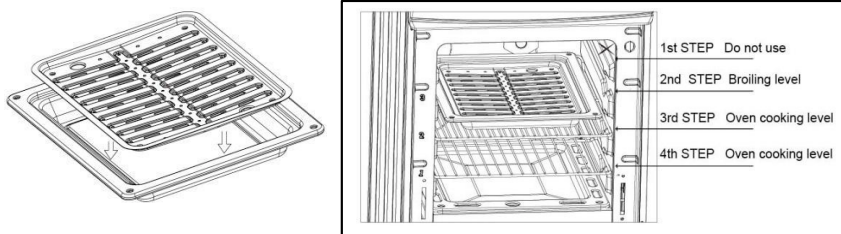
Always wear appropriate protective gloves when inserting or removing the broiler pan, shelves, pans, or any other cooking utensils from the oven.

**IMPORTANT: The broiler function must always be used with the oven door closed.**

Position the oven rack on the second level from the top.

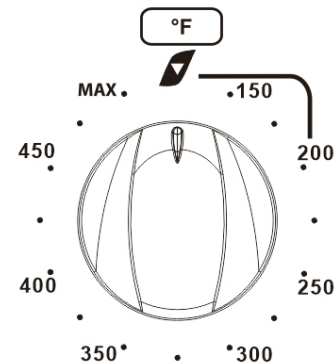
## OPERATION OF OVEN (continued)

- Turn on the broil burner as described in the previous steps and allow it to preheat for about 5 minutes with the oven door closed.
- Place the food to be cooked on the broiling pan.
- Position the broiling pan in the oven, placing it above the shelf and ensuring it is centered with the broil burner.



### ELECTRIC OVEN SETTING

Number printed on the knob (temperature in °F)	Corresponding temperature in °C
150	65
200	93
250	121
300	149
350	177
400	204
450	232



### OVEN THERMOSTAT

- The numbers printed on the control panel indicate the increasing oven temperature valve (°F)
- To regulate the temperature, set the chosen number onto the control knob indicator.



**VERY IMPORTANT:** Always use the oven/broil function with the door closed.

**VERY IMPORTANT:** Never obstruct the oven vent slots on the backsplash.

**IMPORTANT:** Do not broil without using the broiling pan. **Always** use the handle to open or close the door.

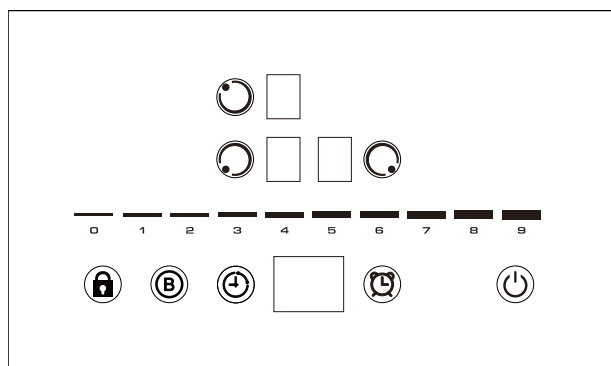
**IMPORTANT:** Always use suitable protective gloves when inserting or removing the broiling pan, shelves, pans, or other cooking utensils from the oven.

**ATTENTION:** The range becomes very hot during operation.

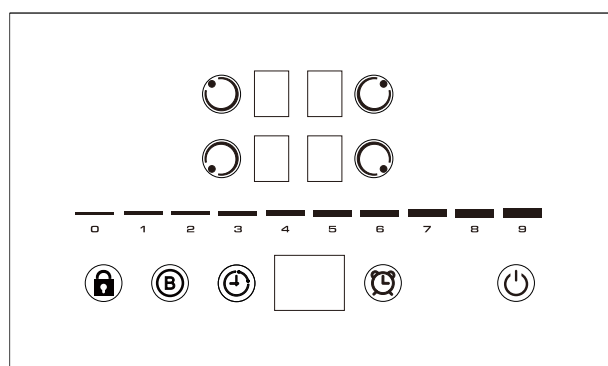
**ATTENTION:** The oven door becomes very hot during operation.

Keep children away from the stove/oven while it is in use.

# OPERATION OF COOKTOP



20" series



24" series

## Power ON/OFF:

Press the power switch to turn the induction range **ON**. The digital display will show "-", indicating the unit is in standby mode. If heating does not begin within 1 minute, the range will automatically shut down, and the buzzer will sound once. After shutdown, the digital display will turn off.

## Setting Selection:

1. Press the corresponding burner key (1, 2, 3, or 4) to select the burner. The digital display for that burner will flash, indicating the current setting.
2. Press the touch bar to adjust the setting. The setting will automatically confirm after 5 seconds, and the display will stop flashing.

## BOOST Option:

1. Select the corresponding burner (1, 2, 3, or 4), and the digital display will flash to show the current setting.
2. Press the boost button to activate the boost function. The display will show "P". After 5 seconds, the boost setting will be automatically confirmed, and the burner setting will stop flashing.
3. The boost function will automatically turn off after 5 minutes, and the burner will return to its previous setting.
4. To exit the boost function manually, select the burner and press the boost button again. The burner will return to its previous setting.

## Child Lock Function:

1. To enable the child lock, press the child lock button. The timer display will show "Lo", and only the power and child lock buttons will be functional. All other buttons will be disabled.
2. To exit the child lock function, hold the child lock button for 3 seconds.

# OPERATION OF COOKTOP (continued)

## **Burner Timer:**

To set the timer, enter your cooking time using two digits, starting with the second digit.

For example, to set a 12-minute timer, first enter 2, then 1. For a 5-minute timer, enter 5, then 0.

1. **Select the burner:** Choose burner (1, 2, 3, or 4). The burner's digital display will flash the current heat setting.
2. **Set the timer:** Press the timer button to enter the time setting mode.
  - a. **Start with the second digit (units digit) of your time.** Slide the touch bar to select a value from 0-9. The display will flash the selected second digit.
  - b. **Enter the first digit (tens digit) of your time.** Slide the touch bar to select a value from 0-9. The display will flash the selected tens digit.
3. **Confirm the timer setting:** The timer setting will be confirmed automatically after 5 seconds. Or confirm manually by pressing the timer button again.
4. **Timer completion:** When the set time reaches 0, the burner will turn off automatically.

## **Audible Alarm Timer:**

Set the alarm to sound a buzzer when the timer finishes. This will not turn off the unit.

1. **Press the timer button to enter the reminder timer setting.**
  - a. **Start with the second digit (units digit) of your time.** Slide the touch bar to select a value from 0-9. The display will flash the selected second digit.
  - b. **Enter the first digit (tens digit) of your time.** Slide the touch bar to select a value from 0-9. The display will flash the selected tens digit.
2. **Confirm the timer setting:** The timer setting will be confirmed automatically after 5 seconds. Or confirm manually by pressing the timer button again.
3. When the reminder timer reaches 0, the buzzer will sound 30 times (once per second).
4. To cancel the reminder timer, set the timer to 0 using the same steps and return to the default setting. The burner will NOT turn off when the alarm sounds.

### **Note on Multiple Timers:**

- If multiple burners have timers enabled, the digital display will show the lowest remaining time across all burners. The corresponding burner will flash with a "." in the lower right corner of the display.
- If the timer and child lock functions are both active, the timer display will alternate between showing the time value and "Lo" (child lock status).

### **Residual Heat Indicator:**

1. If a burner is set to 0, but the NTC (negative temperature coefficient) sensor detects a temperature greater than 113°F (45° C) on the glass surface, the digital display for that burner will show "H" to indicate residual heat.
2. If no residual heat is detected, the digital display will show "-". After 1 minute, all displays will turn off.
3. After cooking, the fan will continue running at 50% speed for 1 minute to cool down the unit.

### **Power Shutdown:**

1. If the shutdown key fails, the power to all burners will be set to 0, and the induction range will automatically shut down.
2. To manually shut down the range in case of shutdown key failure, press any three or more other keys at the same time.
3. Press and hold any three buttons for 5 seconds, or adjust the power level to 0, to immediately stop power output and enter standby mode. It will automatically shut down after 1 minute of standby. If the induction cooker operates continuously at Level 9 for 2 hours without any user interaction, it will automatically shut down.

# ERROR CODES

## Error Codes:

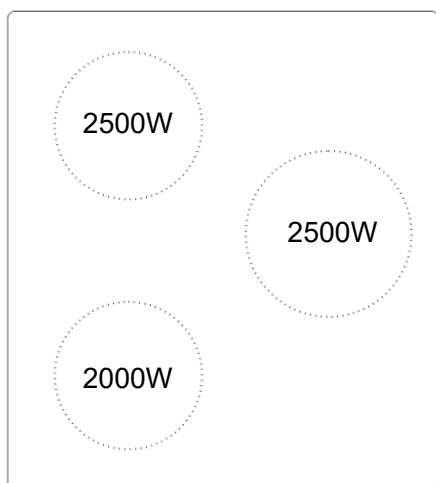
1. Error codes can be automatically reset after resolving the issue.
2. If no pan is detected on a burner for 1 minute, the corresponding burner will automatically turn off (digital display will show 0).

Error Descriptions	Issues	Code
The voltage is too high or too low	Power supply voltage does not meet requirements	E1
IGBT Alarm	Excessive IGBT temperature	E2
Cooktop surface temperature exceeds maximum limit	If the cooktop surface temperature exceeds safe limits, the heating control will adjust, but the fault will not be shown on the lamp board	E3
Sensor Failure	Failure due to loose, open, or short-circuited cooktop surface sensor, IGBT, or NTC temperature sensor	E4
Circuit Fault	Load circuit anomaly	E5
Voltage surge or poor power contact	Voltage fluctuations, including voltage surges and drops	E6
Current surge	Current surge or fluctuation	E7
Communication exception	Loose internal cables or environmental interference	E8
Detector pan code	No pan detected, unsuitable pans detected, or pans removed during heating	'U' and '-' alternate

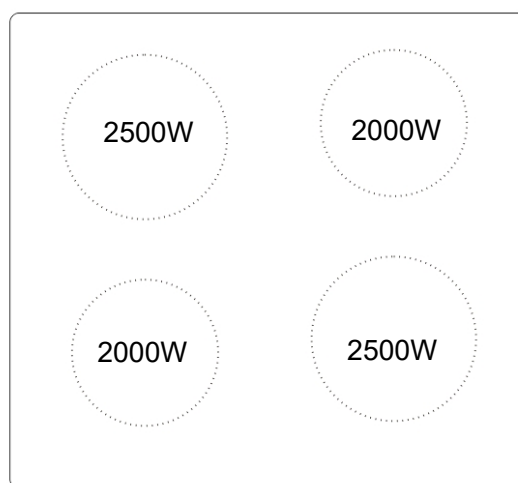
If you have checked the table above and find that you still need help with your appliance, call our Customer Service facility at **800-932-4267** (Ext. **513**) between 9:00 AM and 5:00 PM ET or visit **[www.summitappliance.com/support](http://www.summitappliance.com/support)**. We will do our best to answer your questions.

To order replacement parts, visit our website: **[summitapplianceparts.com](http://summitapplianceparts.com)**

# COOKTOP SAFETY



**20" series**



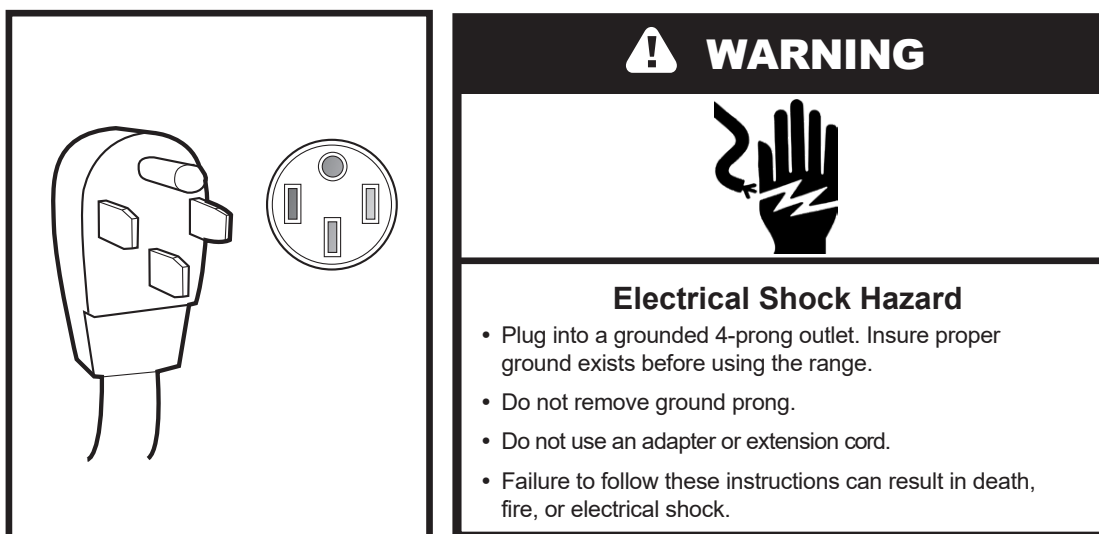
**24" series**

**HOT SURFACE INDICATOR LIGHT WILL TURN ON WHEN THE COOKTOP IS BEING USED AND WILL REMAIN LIT UNTIL THE SURFACE TEMPERATURE OF THE GLASS COOKTOP RETURNS TO A SAFE TEMPERATURE**

## **USING THE SURFACE UNITS**

- Use care when touching the cooktop. The glass surface of the cooktop will retain heat after the controls have been turned off.
- Do not use the cooktop if the glass is cracked or broken. Using the cooktop can present a risk of electric shock. Contact a qualified technician immediately.
- Avoid scratching the glass. The cooktop can be easily scratched by using items similar to knives, sharp object rings, jewelry.
- Avoid storing items that could melt or catch fire on the glass cooktop, even when it is not in use. If the cooktop is accidentally turned on or if heat from the oven vent is emitted, these items may melt or ignite.
- Never cook directly on the glass, always use appropriate cookware.

## CARE & MAINTENANCE



**CAUTION:** Before any operation of cleaning and maintenance disconnect the appliance from the electrical supply.

- It is advisable to clean when the appliance is cold and especially for cleaning the enameled parts.
- Avoid leaving alkaline or acidic substances (lemon juice, vinegar, etc.) on the surfaces.
- Avoid using cleaning products with a chlorine or acidic base.
- The oven must always be cleaned after every use, using suitable products and keeping in mind that its operation for 30 minutes on the highest temperature eliminates most grime reducing it to ashes.

### REPLACING THE OVEN LIGHT

1. Let the oven cavity and broil burner cool down.
2. Switch off the electric supply.
3. Remove the protective cover.
4. Unscrew and replace the bulb with a new one suitable for high temperature (300°~ 570°F) having the same specifications: 240V 60Hz, 15W, E14.
5. Replace the protective cover.

**NOTE:** Oven bulb replacement is not covered by your warranty.

### LEVELING THE RANGE

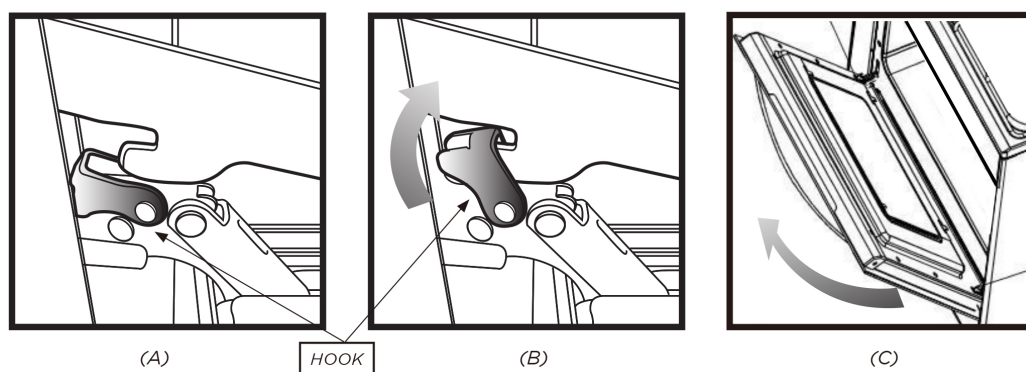
The range must be level to obtain proper operating. The four screws type leveling legs located on the corners at the bottom of range should be adjusted by turning them clockwise to make the range higher or counter-clockwise to lower the range until the range is level. Use a level on surface units to check the leveling of the range.

## CARE & MAINTENANCE (continued)

### REMOVING THE OVEN DOOR FOR CLEANING

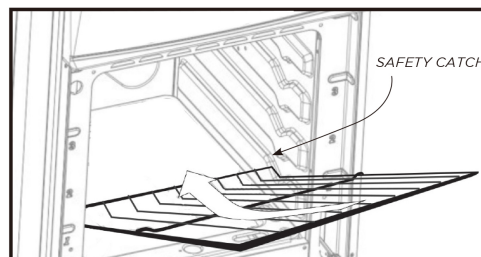
To facilitate oven cleaning, it is possible to remove the door. Please follow the instructions carefully:

1. Open the door fully.
2. Lift the left and right hooks on the hinges (see figures A and B).
3. Hold the door at a 45-degree angle as shown in figure C.
4. Gently close the door until the hooks make contact with it, then lift the door at a 45-degree angle.
5. Set the door on a soft, flat surface.
6. To replace the door, follow the above steps in reverse order.



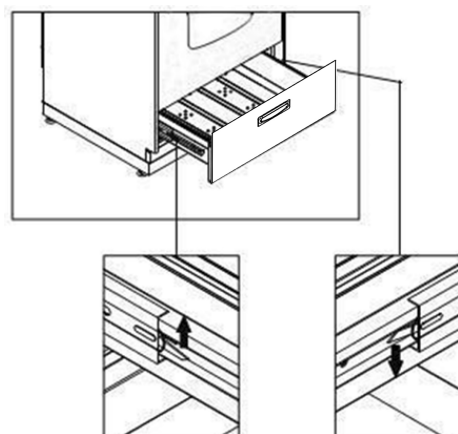
### OVEN RACK INSTALLATION AND REMOVAL

- The oven racks are provided with a safety catch to prevent accidental removal.
- They must be inserted as shown.
- To pull them out remove the rack in the reverse order.



### REMOVABLE STORAGE DRAWER

Lift the small hook to the left of the drawer upwards simultaneously pushing the right hook downwards - (as shown)



**DO NOT STORE FLAMMABLE MATERIAL IN THE OVEN OR IN THE BOTTOM STORAGE DRAWER**

# CLEANING THE RANGE

## Important:

- Before any operation of cleaning and maintenance disconnect the appliance from the electrical supply.
- It is advisable to clean when the appliance is cold and especially for cleaning the enameled parts.
- Avoid leaving alkaline or acidic substances (lemon juice, vinegar, etc.) on the surfaces. Avoid using cleaning products with a chlorine or acidic base.
- The oven must always be cleaned after every use, using suitable products and keeping in mind that its operation for 30 minutes on the highest temperature eliminates most grime reducing it to ashes.
- Always store cleaning materials and chemicals in a safe location, out of reach of children. Ensure you know what products you are using.
- Always allow the appliance to cool completely before cleaning, and make sure all parts are properly reassembled afterward.

## Cooktop

For best results, use a sponge and a commercial cooktop cleaner, such as Weiman Cooktop Cleaner. For stubborn grease and residue, a plastic scraper can be used in conjunction with the product, following the application instructions.

## Knobs

To remove the knobs, pull them forward. Clean them using a mild detergent solution and water. Avoid using abrasive cleaners or scrubbing, as this may scratch the knobs.

If the knobs become loose on the valve stem, gently widen the valve stem with a small screwdriver.

## Using Commercial Oven Cleaners

Commercial oven cleaners are safe for porcelain-lined ovens, but follow the instructions carefully. Wear rubber gloves for protection.

After use, rinse the oven with a solution of 1 tablespoon vinegar to 1 cup water. Avoid contact with the thermostat sensing bulb, or any chrome, aluminum, or plastic parts.

**DO NOT APPLY OR ALLOW THE CLEANER TO COME IN CONTACT WITH ANY PARTS OR SURFACES OTHER THAN THE OVEN INTERIOR.**

## Stainless Steel Elements

Clean the stainless steel finish with detergent and warm water, or use a stainless steel cleaner. Rinse with water and dry with a soft cloth or chamois leather.

For tough grime, use a non-abrasive stainless steel cleaner or a small amount of hot vinegar.

## CLEANING THE RANGE (continued)

### Aluminum Foil in Oven



#### WARNING

**NEVER cover any slots, holes or passages in the oven bottom or cover an entire rack with materials such as aluminum foil. Doing so blocks air flow through the oven. Aluminum foil linings may also trap heat, causing a fire hazard.**

Aluminum foil when used improperly is a cause of many range fires. Make certain that vents or air openings aren't covered by the foil. If the vents located along the sides of the oven bottom are blocked, poor cooking will result.

Never cover a rack completely. A piece of foil slightly larger than the cookware can be placed on the rack beneath the cookware.

Remove and discard aluminum foil after each use. This will help prevent grease and spilled food from accumulating and becoming a fire hazard.

### Cleaners and Cleaning Materials

Avoid using harsh cleaners or degreasers on or around functional parts (valves, controls, aluminum tubing), as they can damage the parts and significantly reduce their lifespan.

For back guards, aluminum control panels, and painted surfaces, use only a mild soap and water solution. Never use abrasive cleaners or powders that may scratch or damage the surface. Ensure the cleaning products are suitable for the area being cleaned.

Always store cleaning materials safely. Never use a sharp metal scraper on glass, porcelain, or painted surfaces.

### Repair Parts

When repair parts are needed, contact the dealer from whom the range was purchased. In case your range was purchased from a source other than an appliance dealer, you may prefer to contact the manufacturer at the address shown in this manual.

### Moisture

During the initial heat-up of your range, moisture from the oven's air may cause fogging on the door glass or water to collect on the door. To prevent this, open the oven door for the first few seconds of heating to allow the moist air to escape, preventing visible moisture from forming. The amount of moisture may vary depending on the humidity in the air and the water content of the food being cooked. Fogging and water drips are more common in high-humidity area.

## TROUBLESHOOTING

You can solve many common appliance problems saving you the cost of a possible service call. Try the suggestions below before making the call to see if you can solve the problem.

PROBLEM	POSSIBLE CAUSE	SOLUTION
Surface unit is not maintaining a rolling boil or frying rate is not fast enough	The cookware may not be suitable for the surface unit, or it could be uneven, causing poor heat transfer.	Make sure the bottom of the cookware is flat and makes full contact with the heating element for even heat distribution.  Use cookware that matches the size of the burner to ensure efficient heating.
Food cooks slowly	A buildup of grease or residue on the burner or cooking surface can slow down heat transfer.	Ensure the burner is turned off and completely cooled before cleaning.
Surface units do not operate	The appliance may not be properly connected to the power source or there could be an electrical issue.  The circuit breaker or fuse may have tripped, cutting off power to the surface units.	Ensure the appliance is plugged in and receiving power. Reset any tripped circuit breakers or replace any blown fuses.
Control knobs will not turn	If it is a surface unit control knob, you are not pushing in before turning.  If it is the oven control knob you are trying to turn the knob in the wrong direction.	Push in the control knob before turning.  Ensure you are turning the knob the right way to adjust the oven settings.  Check for any obstruction or buildup around the control.
Oven light does not work	Light bulb is loose or defective.	Light bulb may need to be replaced.
Baking setting does not work	The rocker switch may be set to BROIL or the OFF position.	Ensure the rocker switch is set to the correct cooking mode (BAKE) instead of BROIL or OFF.
Broil setting does not work	The rocker switch may be set to BAKE or the OFF position.	Ensure the rocker switch is set to the correct cooking mode (BROIL) instead of BAKE or OFF.
Food does not BROIL/BAKE properly	The oven control knob is not set correctly.  Improper rack position being used.  Cookware is not suited for broiling.  Oven thermostat is defective.	See above.  Adjust the oven rack to the correct position for broiling.  Use broiler-safe cookware.  Test the temperature using an oven thermometer. If the temperature is incorrect, the thermostat may need to be repaired or replaced by a technician.

If you have checked the table above and find that you still need help with your appliance, call our Customer Service facility at **800-932-4267** (Ext. **513**) between 9:00 AM and 5:00 PM ET or visit **[www.summitappliance.com/support](http://www.summitappliance.com/support)**. We will do our best to answer your questions.

To order replacement parts, visit our website: **[summitapplianceparts.com](http://summitapplianceparts.com)**

# NOTES

# LIMITED WARRANTY

## ONE-YEAR LIMITED WARRANTY

Warranty coverage is available within the 48 contiguous United States, along with select areas of Alaska, Hawaii, and Canada. For locations not covered, consumers can either contact a local provider or coordinate with Felix Storch, Inc. to find nearby service options, which may qualify for partial reimbursement.

The warranty for this appliance is valid for one year from the date of purchase, provided the appliance is operated and maintained according to the instructions included with the product. The warrantor will cover the cost of factory-specified parts and repair labor needed to correct defects in materials or workmanship. Service must be performed by a designated service company.

All parts, except the compressor, are warranted for one year against manufacturing defects. Plastic parts, shelves, and cabinets are produced to commercially acceptable standards but are not covered for damages incurred during handling or for breakage.

### ITEMS WARRANTOR WILL NOT PAY FOR:

1. Service calls to correct the installation of your appliance, to instruct you how to use your appliance, to replace or repair fuses or to correct wiring or plumbing.
2. Service calls to repair or replace appliance light bulbs or broken shelves. Consumable parts (such as filters) are excluded from warranty coverage.
3. Damage resulting from accident, alteration, misuse, abuse, fire, flood, acts of God, improper installation, installation not in accordance with electrical or plumbing codes, or use of products not approved by warrantor.
4. Replacement parts or repair labor costs for units operated outside the 48 contiguous United States, along with select areas of Alaska, Hawaii, and Canada.
5. Repairs to parts or systems resulting from unauthorized modifications made to the appliance.
6. Expenses for travel and transportation for product service in remote locations.
7. The removal and reinstallation of your appliance if it is installed in an inaccessible location or is not installed in accordance with published installation instructions.

### DISCLAIMER OF IMPLIED WARRANTIES; LIMITATION OF REMEDIES

CUSTOMER'S SOLE AND EXCLUSIVE REMEDY UNDER THIS LIMITED WARRANTY SHALL BE PRODUCT REPAIR AS PROVIDED HEREIN. IMPLIED WARRANTIES, INCLUDING WARRANTIES OF MERCHANTABILITY OR FITNESS FOR A PARTICULAR PURPOSE, ARE LIMITED TO ONE YEAR. WARRANTOR SHALL NOT BE LIABLE FOR INCIDENTAL OR CONSEQUENTIAL DAMAGES. SOME STATES DO NOT ALLOW THE EXCLUSION OR LIMITATION OF INCIDENTAL OR CONSEQUENTIAL DAMAGES, OR LIMITATIONS ON THE DURATION OF IMPLIED WARRANTIES OF MERCHANTABILITY OR FITNESS, SO THESE EXCLUSIONS OR LIMITATIONS MAY NOT APPLY TO YOU. THIS WARRANTY GIVES YOU SPECIFIC LEGAL RIGHTS AND YOU MAY ALSO HAVE OTHER RIGHTS, WHICH VARY FROM STATE TO STATE.



**WARNING: This product can expose you to chemicals including Nickel (Metallic) which is known to the State of California to cause cancer.**

**For more information go to [www.P65Warnings.ca.gov](http://www.P65Warnings.ca.gov)**

Note: Nickel is a component in all stainless steel and some other metallic compositions.



## Cuisinières à Induction Autonomes

Manuel d'Utilisation

Modèles:

REN20W2	REN20W2CA
REN20B3	REN20B3CA
REN20SS4	REN20SS4CA
REN24W5	REN24W5CA
REN24B6	REN24B6CA
REN24SS7	REN24SS7CA
LRIND20W	LRIND20WCA
LRIND20B	LRIND20BCA
LRIND20SS	LRIND20SSCA
LRIND24W	LRIND24WCA
LRIND24B	LRIND24BCA
LRIND24SS	LRIND24SSCA
PROND2010SS	PROND2010SSCA
PROND2420SS	PROND2420SSCA

**AVANT D'UTILISER, VEUILLEZ LIRE ET SUIVRE TOUTES LES RÈGLES DE SÉCURITÉ ET LES INSTRUCTIONS D'UTILISATION.**

Modèle No:

No. de Série:

Felix Storch, Inc.  
Une entreprise enregistrée ISO 9001:2015  
770 Garrison Ave  
Bronx, New York 10474  
[www.summitappliance.com](http://www.summitappliance.com)

# TABLE DES MATIÈRES

NOTES DE SÉCURITÉ IMPORTANTES .....	1-7
DIAGRAMME DE CÂBLAGE .....	8-9
AVANT D'UTILISER VOTRE CUISINIÈRE .....	10
PIÈCES ET CARACTÉRISTIQUES.....	11
DÉGAGEMENTS MURAUX ET SUPPORT ANTI-BASCULE.....	12 - 13
COMMENT INSTALLER LE DOSSERET .....	14
FONCTIONNEMENT DU FOUR .....	15-17
FONCTIONNEMENT DE LA CUISINIÈRE.....	18-19
CODES D'ERREUR.....	20
PLAQUE DE CUISSON .....	21
ENTRETIEN ET MAINTENANCE .....	22 - 23
NETTOYAGE DE LA CUISINIÈRE .....	24-25
DÉPANNAGE.....	26
GARANTIE LIMITÉE .....	28

# NOTES DE SÉCURITÉ IMPORTANTES

## INTERFÉRENCES ÉLECTROMAGNÉTIQUES (EMI)

La cuisinière à induction (appareil) couverte par le présent manuel d'utilisation est conforme à la partie 18 des règles de la FCC.

La cuisinière à induction peut provoquer des interférences avec les équipements radio et ne doit pas être installée à proximité d'équipements de communications de sécurité maritime ou d'autres équipements critiques de navigation ou de communication fonctionnant entre **0,45 et 30 MHz**.

### Appareils à radiofréquences

La cuisinière à induction (appareil) couverte par le présent manuel d'utilisation est conforme à la partie 15 des règles de la FCC. Son fonctionnement est soumis aux deux conditions suivantes : (1) cet appareil ne doit pas provoquer d'interférences nuisibles, et (2) cet appareil doit accepter toute interférence reçue, y compris les interférences pouvant entraîner un fonctionnement indésirable.

### Appareil de classe B


**REMARQUE** : Cette cuisinière à induction (équipement) a été testée et déclarée conforme aux limites applicables aux appareils numériques de classe B, conformément à la partie 15 des règles de la FCC. Ces limites sont conçues pour offrir une protection raisonnable contre les interférences nuisibles dans une installation résidentielle. Cet équipement génère, utilise et peut émettre de l'énergie de radiofréquence et, s'il n'est pas installé et utilisé conformément aux instructions, peut provoquer des interférences nuisibles aux communications radio. Toutefois, il n'existe aucune garantie que des interférences ne se produiront pas dans une installation donnée. Si cet équipement provoque des interférences nuisibles à la réception radio ou télévisée, ce qui peut être déterminé en éteignant puis en rallumant l'équipement, l'utilisateur est invité à essayer de corriger les interférences en appliquant une ou plusieurs des mesures suivantes:


- Réorienter ou déplacer l'antenne de réception.
- Augmenter la distance entre l'équipement et le récepteur.
- Brancher l'équipement sur une prise reliée à un circuit différent de celui auquel le récepteur est connecté.
- Consulter le revendeur ou un technicien radio/télévision expérimenté pour obtenir de l'aide.

# NOTES DE SÉCURITÉ IMPORTANTES

## DISPOSITIF ANTI-BASCULE

	<p style="text-align: center;"> <b>AVERTISSEMENT</b></p> <p style="text-align: center;"><b><u>RISQUE DE BASCULEMENT</u></b></p> <p>Un enfant ou un adulte peut renverser la cuisinière et se tuer. Vérifiez que le support anti-bascule a été installé. Assurez-vous que le support anti-bascule est bien engagé lorsque la cuisinière est déplacée. Ne faites pas fonctionner la cuisinière sans le support anti-bascule en place. Le non-respect de ces instructions peut entraîner la mort ou de graves brûlures chez les enfants et les adultes.</p>
 <p>Pied arrière de portée      Dispositif Anti-Basculement</p>	
<p style="text-align: center;"><b><u>INFORMATIONS À L'INTENTION DU CONSOMMATEUR – L'INSTALLATEUR NE DOIT PAS RETIRER</u></b></p> <p style="text-align: center;">Avant de retirer l'étiquette, assurez-vous que le support anti-bascule est correctement installé.</p>	

 **AVERTISSEMENT:** Ce produit peut vous exposer à des produits chimiques, y compris le nickel (métallique), qui est reconnu par l'État de Californie comme pouvant causer le cancer.  
**Pour plus d'informations, rendez-vous sur [www.P65Warnings.ca.gov](http://www.P65Warnings.ca.gov)**  
Note: Le nickel est un composant de l'acier inoxydable et de certaines autres compositions métalliques.

 **AVERTISSEMENT**

Ne jamais faire fonctionner la section de cuisson de la surface supérieure de l'appareil sans surveillance. Si le bouton d'arrêt ne fonctionne pas, ne réalisez aucune autre opération, la cuisinière à induction s'arrêtera automatiquement après deux heures.  
Le non-respect de cette mise en garde peut entraîner un risque d'incendie, d'explosion ou de brûlures pouvant causer des dégâts matériels, des blessures corporelles ou la mort.  
En cas d'incendie, éloignez-vous de l'appareil et appelez immédiatement les pompiers.

**NE PAS TENTER D'ÉTEINDRE UN INCENDIE DE HUILE/GRAS AVEC DE L'EAU.**

# NOTES DE SÉCURITÉ IMPORTANTES

## GÉNÉRALE

- 1) Installation correcte – Assurez-vous que votre appareil est correctement installé et mis à la terre par un technicien qualifié.
- 2) Ne jamais utiliser votre appareil pour chauffer ou réchauffer la pièce.
- 3) Ne laissez jamais les enfants sans surveillance – Les enfants ne doivent pas être laissés seuls ou sans surveillance dans une zone où l'appareil est utilisé. Ils ne doivent jamais être autorisés à s'asseoir ou à se tenir sur une partie de l'appareil.
- 4) Porter des vêtements appropriés – Les vêtements amples ou pendants ne doivent jamais être portés lors de l'utilisation de l'appareil.
- 5) Entretien par l'utilisateur – Ne réparez ni ne remplacez aucune pièce de l'appareil, sauf si cela est spécifiquement recommandé dans le manuel. Tout autre entretien doit être effectué par un technicien qualifié.
- 6) Rangement dans ou sur l'appareil – Les matériaux inflammables ne doivent pas être stockés dans un four ou près des unités de cuisson.
- 7) Ne pas utiliser d'eau sur un feu de graisse – Étouffer le feu ou la flamme ou utiliser un extincteur à poudre sèche ou à mousse.
- 8) Utilisez uniquement des maniques sèches – Les maniques humides ou mouillées sur des surfaces chaudes peuvent provoquer des brûlures dues à la vapeur. Ne laissez pas la manique toucher les éléments chauffants chauds. Ne pas utiliser de serviette ou d'autre tissu volumineux.

## UNITÉS DE CUISSON SURFACE

- 1) Utiliser la taille de casserole appropriée – Cet appareil est équipé d'une ou plusieurs unités de cuisson de tailles différentes. Choisissez des ustensiles ayant des fonds plats suffisamment grands pour couvrir l'élément chauffant de l'unité. L'utilisation d'ustensiles trop petits exposera une partie de l'élément chauffant à un contact direct et peut entraîner l'ignition des vêtements. La relation correcte entre l'ustensile et le brûleur améliorera également l'efficacité.
- 2) Ne laissez jamais les unités de cuisson sans surveillance à des réglages de chaleur élevée – Les débordements provoquent de la fumée et des éclaboussures grasses qui peuvent s'enflammer.
- 3) Assurez-vous que les réflecteurs ou bols de gouttes sont en place – L'absence de ces récipients pendant la cuisson peut endommager le câblage ou les composants sous-jacents.
- 4) Revêtements protecteurs – N'utilisez pas de papier aluminium pour tapisser les bols de gouttes des unités de cuisson ou les fonds de four, sauf si cela est suggéré dans le manuel. Une installation incorrecte de ces revêtements peut entraîner un risque de choc électrique ou d'incendie.
- 5) Ustensiles de cuisson émaillés – Seuls certains types de verres, verre/céramique, céramique, terre cuite ou autres ustensiles émaillés conviennent pour un usage sur la plaque de cuisson sans se casser en raison du changement brusque de température.
- 6) Les poignées des ustensiles doivent être tournées vers l'intérieur et ne pas dépasser les unités de cuisson adjacentes – Pour réduire le risque de brûlures, d'ignition de matériaux inflammables et de renversement dû à un contact accidentel avec l'ustensile, la poignée d'un ustensile doit être positionnée de manière à être tournée vers l'intérieur et ne pas dépasser les unités de cuisson adjacentes.
- 7) Ne pas immerger les éléments chauffants amovibles dans l'eau – Les éléments chauffants ne doivent jamais être plongés dans l'eau.

## FOURS

- 1) Utiliser avec précaution lors de l'ouverture de la porte – Laissez l'air chaud ou la vapeur s'échapper avant de retirer ou de remplacer les aliments.
- 2) Ne pas chauffer des contenants alimentaires non ouverts – L'accumulation de pression peut provoquer l'éclatement du contenant et entraîner des blessures.
- 3) Garder les conduits de ventilation du four dégagés.
- 4) Placement des grilles du four – Placez toujours les grilles du four à l'emplacement souhaité lorsque le four est froid. Si la grille doit être déplacée lorsque le four est chaud, ne laissez pas la manique entrer en contact avec l'élément chauffant chaud dans le four.

## SURFACES DE CUISSON EN VERRE/CÉRAMIQUE

- 1) Ne pas cuire sur une plaque de cuisson cassée – Si la plaque de cuisson se casse, les solutions de nettoyage et les éclaboussures peuvent pénétrer dans la plaque cassée et créer un risque de choc électrique. Contactez immédiatement un technicien qualifié.
- 2) Nettoyer la plaque de cuisson avec précaution – Si une éponge ou un chiffon humide est utilisé pour essuyer les éclaboussures sur une zone de cuisson chaude, veillez à éviter les brûlures par la vapeur. Certains nettoyeurs peuvent dégager des fumées toxiques s'ils sont appliqués sur une surface chaude.

## NOTES DE SÉCURITÉ IMPORTANTES

**ENTRETIEN PAR L'UTILISATEUR:** Ne réparez ni ne remplacez aucune pièce de l'appareil, sauf si cela est spécifiquement recommandé dans ce guide de l'utilisateur. Seul un technicien qualifié doit effectuer tout autre entretien. Cela réduira le risque de blessures corporelles et de dommages à la cuisinière.

**Rangement dans ou sur l'appareil :** Les matériaux inflammables ne doivent pas être stockés dans un four, près des brûleurs de surface ou dans la section du gril. Cela inclut les articles en papier, plastique et tissu, tels que les livres de cuisine, les contenants en plastique et les serviettes, ainsi que les liquides inflammables. N'utilisez pas le four comme espace de rangement. Ne stockez pas d'explosifs, tels que des aérosols, sur ou près de la cuisinière.

**Retirez la porte du four de toute cuisinière inutilisée si elle doit être stockée ou jetée.**

**Monter, s'appuyer ou s'asseoir sur les portes ou la section du gril de cette cuisinière peut entraîner des blessures graves et endommager l'appareil.**



**Les situations suivantes pourraient causer des blessures corporelles ou des dommages matériels.**

**NE TOUCHEZ PAS LES BRÛLEURS DE SURFACE, LES ZONES À PROXIMITÉ DE CES BRÛLEURS, LES BRÛLEURS DU FOUR OU LES SURFACES INTÉRIEURES DU FOUR.** Les brûleurs de surface et les brûleurs du four peuvent être chauds même lorsqu'ils sont éteints. Les zones proches des brûleurs de surface peuvent devenir suffisamment chaudes pour provoquer des brûlures. Pendant et après l'utilisation, ne touchez pas ces zones et ne laissez pas les vêtements ou d'autres matériaux inflammables les toucher tant qu'ils n'ont pas eu suffisamment de temps pour refroidir. Parmi ces zones figurent la cuisinière, les surfaces face à la cuisinière, les ouvertures de ventilation du four et les surfaces proches de ces ouvertures, ainsi que la porte et les fenêtres du four.



**NE JAMAIS utiliser cet appareil comme un radiateur pour chauffer ou réchauffer la pièce.**

**Portez des vêtements appropriés.** Les vêtements amples ou pendants ne doivent jamais être portés lors de l'utilisation de l'appareil. Ne laissez pas les vêtements ou d'autres matériaux inflammables entrer en contact avec les brûleurs de surface ou les surfaces intérieures du four tant qu'ils n'ont pas eu suffisamment de temps pour refroidir.

**Ne modifiez jamais la construction de la cuisinière.** Ne retirez pas les pieds de nivellement, les panneaux, les protections de fils, les supports anti-bascule ou toute autre pièce permanente du produit. Lors du chauffage de graisses ou d'huiles, surveillez-les de près. Les graisses ou les huiles peuvent prendre feu si elles deviennent trop chaudes.

**Ne pas utiliser d'eau ou de farine sur les feux de graisse.** Éteuffez le feu avec un couvercle de casserole, du bicarbonate de soude ou utilisez un extincteur à poudre sèche ou à mousse.

**Fonctionnement des brûleurs de surface.** Lors de la première utilisation des brûleurs, une petite quantité de fumée peut être générée en raison des résidus de ruban adhésif ou de la lubrification de fabrication, ce qui n'est pas dangereux. Faites fonctionner les brûleurs pendant environ cinq minutes pour éliminer ce matériau avant de cuisiner.

**Utilisez uniquement des maniques sèches.** Les maniques mouillées ou humides sur des surfaces chaudes peuvent provoquer des brûlures dues à la vapeur. Ne laissez pas la manique toucher les zones de chauffage chaudes. N'utilisez pas une serviette ou un autre tissu volumineux à la place d'une manique.



**NE COUVREZ JAMAIS les fentes, trous ou passages au fond du four, ni ne couvrez toute la grille avec des matériaux tels que du papier aluminium.**

En faisant cela, vous bloquez la circulation de l'air à travers le four, ce qui peut entraîner une intoxication au monoxyde de carbone. Les revêtements en papier aluminium peuvent également emprisonner la chaleur, créant ainsi un risque d'incendie. Consultez la section de nettoyage de ce manuel pour plus d'informations sur l'utilisation du papier aluminium.

# NOTES DE SÉCURITÉ IMPORTANTES

## AVERTISSEMENTS

Détruisez le carton et les sacs en plastique après le déballage de la cuisinière. Les enfants ne doivent pas utiliser le matériel d'emballage pour jouer. Les cartons recouverts de tapis, de couvertures ou de feuilles plastiques peuvent devenir des chambres étanches. Retirez toutes les agrafes du carton. Les agrafes peuvent causer des coupures graves et endommager les finitions si elles entrent en contact avec d'autres appareils ou meubles.

**Soyez conscient de la sécurité.** La préparation des aliments dans un four nécessite des températures qui peuvent causer de graves brûlures. Avant d'utiliser ce nouvel appareil, lisez attentivement et suivez toutes les instructions.

**Les situations suivantes peuvent causer des blessures corporelles graves, la mort ou des dommages matériels.**

**POUR RÉDUIRE LE RISQUE DE BASCULEMENT DE LA CUISINIÈRE, CELLE-CI DOIT ÊTRE FIXÉE PAR UN SUPPORT ANTI-BASCULE CORRECTEMENT INSTALLÉ FOURNI AVEC LA CUISINIÈRE. POUR VÉRIFIER SI LE DISPOSITIF EST INSTALLÉ ET ENCLENCHÉ CORRECTEMENT, BASCULEZ SOIGNEUSEMENT LA CUISINIÈRE VERS L'AVANT. LE DISPOSITIF ANTI-BASCULE DOIT S'ACTIVER ET EMPÊCHER LA CUISINIÈRE DE BASCULER. CONSULTEZ LES INSTRUCTIONS D'INSTALLATION FOURNIES AVEC LE SUPPORT ANTI-BASCULE POUR UNE INSTALLATION CORRECTE DU SUPPORT ANTI-BASCULE.**

- **Ne laissez jamais les enfants seuls ou sans surveillance dans la zone où un appareil est en fonctionnement.** Ils ne doivent jamais être autorisés à s'asseoir ou à se tenir sur aucune partie de l'appareil. Ne laissez jamais la porte du four ouverte lorsque la cuisinière est sans surveillance.
- **Ne rangez pas d'objets susceptibles d'intéresser les enfants dans les armoires au-dessus de la cuisinière ou sur le dossier de la cuisinière.** Les enfants qui grimpent sur la cuisinière pour atteindre ces objets pourraient être gravement blessés.
- **Ne laissez pas les enfants grimper ou jouer autour de la cuisinière.** Le poids d'un enfant sur une porte de four ouverte peut faire basculer la cuisinière, entraînant de graves brûlures ou d'autres blessures.

**IMPORTANT :** Respectez tous les codes et règlements en vigueur. Ne bloquez pas l'écoulement de la chaleur et de la ventilation.

**ATTENTION :** LA PORTE EST CHAUDE PENDANT L'UTILISATION DU FOUR, GARDEZ LES ENFANTS À L'ÉCART. UTILISEZ LA POIGNÉE. UTILISEZ TOUJOURS LE FOUR AVEC LA PORTE FERMÉE.

**ATTENTION :** DÉCONNECTEZ L'APPAREIL DE L'ALIMENTATION ÉLECTRIQUE AVANT DE RETIRER LE COUVERCLE DE L'AMPOULE.

**AVERTISSEMENT :** NE RANGEZ PAS DE MATÉRIAUX INFLAMMABLES DANS CE TIROIR.

**AVERTISSEMENT :** POUR RÉDUIRE LE RISQUE D'ALLUMAGE DES MATÉRIAUX COMBUSTIBLES ENVIRONNANTS, INSTALLEZ À 20 POUÇES DU MUR LATÉRAL GAUCHE, 3 POUÇES DU MUR LATÉRAL DROIT ET 3 POUÇES DU MUR ARRIÈRE. INSTALLEZ CONFORMÉMENT AUX INSTRUCTIONS DU FABRICANT.

**ATTENTION :** UTILISEZ DES FILS D'ALIMENTATION DE TAILLE 10 AWG MINIMUM, ADAPTÉS À UNE TEMPÉRATURE DE 194°F (90°C).

## NOTES DE SÉCURITÉ IMPORTANTES

**Placement des grilles du four:** Placez toujours une grille du four à l'emplacement souhaité lorsque le four est froid. Si une grille doit être déplacée lorsque le four est chaud, utilisez des maniques et saisissez la grille avec les deux mains pour la repositionner. Ne laissez pas les maniques toucher les parois chaudes du four. Retirez toute batterie de cuisine de la grille avant de la déplacer.

**Ne chauffez pas les contenants alimentaires non ouverts.** L'accumulation de pression peut provoquer l'explosion du contenant et entraîner des blessures.

**Gardez le conduit de ventilation du four dégagé.** La ventilation du four est située le long du bas du dossier. Toucher les surfaces dans la zone de ventilation lorsque le four est en fonctionnement peut provoquer de graves brûlures. De plus, ne placez pas d'objets en plastique ou sensibles à la chaleur sur ou près des événements du four. Ces objets pourraient fondre ou s'enflammer. La cuisinière nécessite de l'air frais pour une combustion adéquate des brûleurs. Ne bloquez pas le flux d'air autour de la base ou sous le panneau avant inférieur de la cuisinière.

**Faites attention lorsque vous ouvrez la porte du four:** Tenez-vous sur le côté du four lorsque vous ouvrez la porte du four. Ouvrez lentement la porte pour permettre à l'air chaud ou à la vapeur de s'échapper avant de retirer ou de replacer les aliments.

**Les poignées des ustensiles de cuisine doivent être tournées vers l'intérieur** et ne doivent pas dépasser des brûleurs de surface adjacents. Pour réduire le risque de brûlures, d'ignition de matériaux inflammables et de renversement dû à un contact accidentel avec la batterie de cuisine, la poignée de l'ustensile de cuisine doit être positionnée de manière à être tournée vers l'intérieur et ne doit pas dépasser les brûleurs de surface adjacents.

**Ne laissez jamais les brûleurs de surface sans surveillance.** Les débordements peuvent provoquer de la fumée, les éclaboussures grasses peuvent s'enflammer ou une poêle qui a bouilli à sec peut fondre.

**Ne placez pas les mains entre la charnière à ressort et le cadre de la porte du four** lorsque vous retirez la porte du four. Vous pourriez vous pincer les doigts.

**Laissez les pièces refroidir à température ambiante** avant de les toucher ou de les retirer de la cuisinière. Lorsqu'un brûleur de surface est éteint pour la première fois, le brûleur et la grille sont suffisamment chauds pour provoquer des brûlures.

**Lors du retrait de l'appareil pour nettoyage et/ou entretien :**

- Déconnectez l'alimentation électrique AC.
- Retirez soigneusement la cuisinière en la tirant vers l'extérieur.

**ATTENTION :** La cuisinière est lourde. Manipulez-la avec précaution.

**Ne nettoyez jamais les pièces de l'appareil avec des fluides inflammables.** Ces fumées peuvent créer un risque d'incendie ou d'explosion. De plus, ne stockez ni n'utilisez de l'essence ou d'autres vapeurs et liquides inflammables à proximité de cet appareil ou de tout autre appareil. Les fumées peuvent créer un risque d'incendie ou d'explosion.

**Avant de procéder aux opérations de nettoyage et d'entretien,** assurez-vous que l'alimentation électrique de l'appareil est déconnectée.

**N'essayez pas de réparer ou de remplacer une partie de votre appareil,** à moins qu'elle ne soit spécifiquement recommandée dans ce manuel. Toute autre réparation doit être confiée à un technicien qualifié.

**Nettoyez régulièrement la cuisinière pour garder toutes les pièces exemptes de graisses ou de graisses qui pourraient prendre feu.** Les hottes de ventilation et les filtres à graisse doivent être propres. Ne laissez pas de graisses ou de graisses s'accumuler. Les dépôts graisseux dans le ventilateur pourraient prendre feu. Consultez les instructions du fabricant de la hotte pour le nettoyage.

# NOTES DE SÉCURITÉ IMPORTANTES

**Ustensiles de cuisson émaillés** : Seuls certains types de verre, verre/ céramique, céramique, terre cuite ou autres ustensiles de cuisson émaillés sont adaptés pour être utilisés sur la surface de cuisson sans se casser en raison du changement brutal de température. Consultez les recommandations du fabricant pour l'utilisation sur la surface de cuisson.

**AVERTISSEMENT** : Ne placez pas de couvercles sur la surface de cuisson en verre lorsqu'elle est chaude. Des fissures du dessus de cuisinière peuvent se produire lorsque la chaleur est piégée entre le couvercle et la surface en verre, créant ainsi un fort sceau sous vide. L'air est aspiré de force et brise le verre (cela n'est pas couvert par votre garantie).

**Ne placez pas de salières et poivrières en plastique, de porte-cuillères ou d'emballages plastiques sur la cuisinière.** Ces objets pourraient fondre ou s'enflammer. Les maniques, serviettes ou cuillères en bois pourraient prendre feu si elles sont placées trop près de la chaleur.

**Ne pas utiliser de wok équipé d'un anneau en métal.**

**Ne nettoyez pas le joint de la porte du four.** Le joint de la porte est essentiel pour un bon scellement. Il faut veiller à ne pas frotter, endommager ou déplacer le joint.

**Il est recommandé que chaque foyer dispose d'un extincteur approprié pour une utilisation en cas d'incendie domestique.**

**REMARQUE:** Lors de l'installation ou du retrait de la cuisinière pour un entretien, un cric roulant doit être utilisé. Ne poussez pas contre les bords de la cuisinière pour essayer de la faire glisser dans ou hors de l'installation. Pousser ou tirer une cuisinière (plutôt que d'utiliser un cric de levage) augmente également la possibilité de plier les broches des pieds ou les connecteurs internes.

**REMARQUE:** Les instructions figurant dans ce guide du propriétaire ne sont pas destinées à couvrir toutes les conditions et situations possibles pouvant survenir. Le bon sens et la prudence doivent être appliqués lors de l'utilisation et de l'entretien de tout appareil.



## INSTRUCTIONS DE MISE À LA TERRE ÉLECTRIQUE

**POUR VOTRE SÉCURITÉ PERSONNELLE, CET APPAREIL DOIT ÊTRE CORRECTEMENT MIS À LA TERRE.**

Cet appareil est équipé d'une prise à quatre broches pour vous protéger contre les risques de choc et doit être branché directement dans une prise correctement mise à la terre. Ne coupez pas et ne retirez pas la broche de mise à la terre de la prise.

Ne coupez en aucun cas ou ne retirez la troisième broche (mise à la terre) de la prise d'alimentation. L'installation électrique doit être conforme aux codes nationaux et locaux.

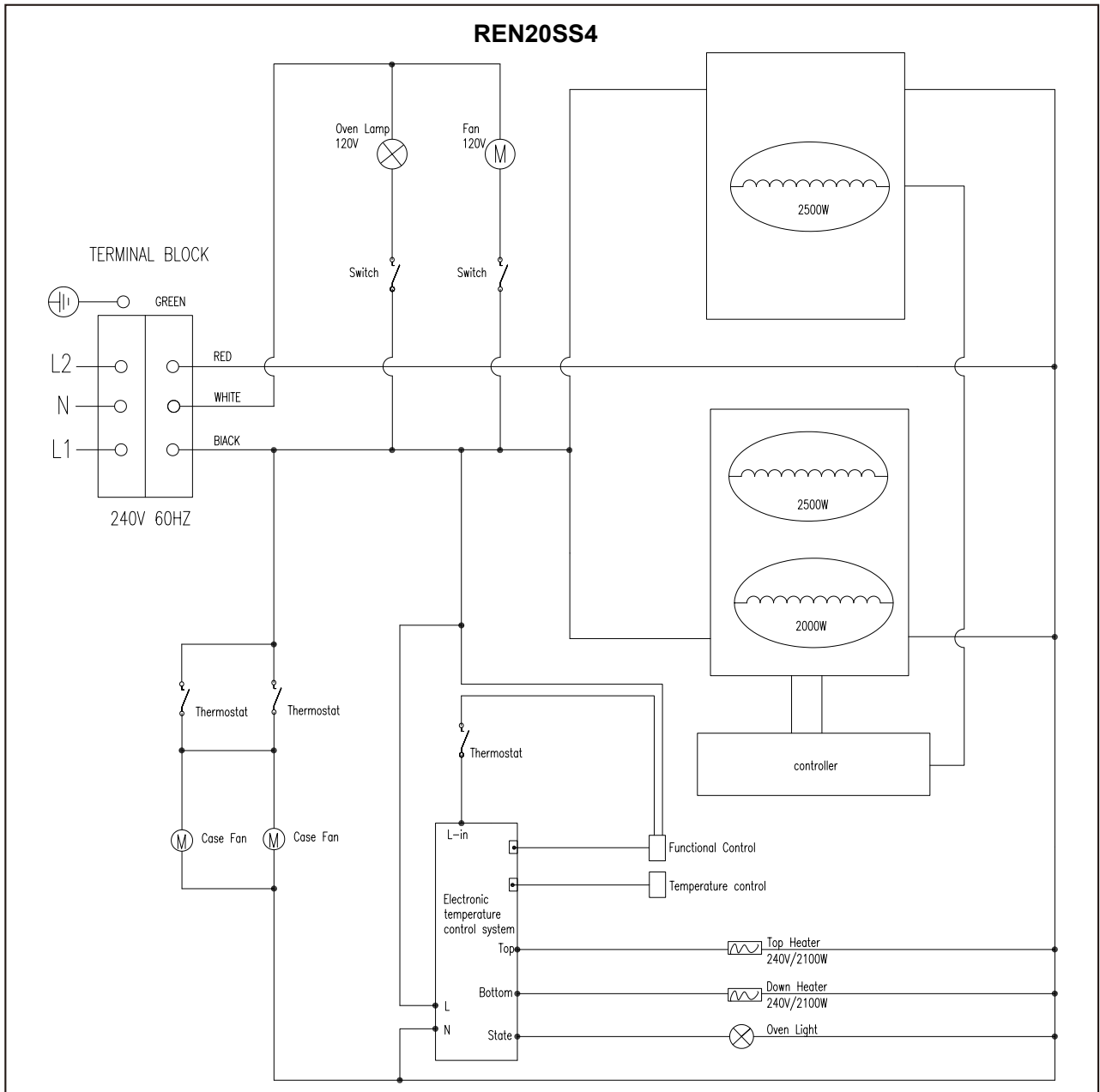
Il est recommandé de prévoir un circuit séparé, servant uniquement votre appareil. Utilisez des prises qui ne peuvent pas être éteintes par un interrupteur ou une chaîne de traction.

## PIÈCES DE RECHANGE

Pour commander des pièces de rechange, veuillez consulter notre site web: [summitapplianceparts.com](http://summitapplianceparts.com)

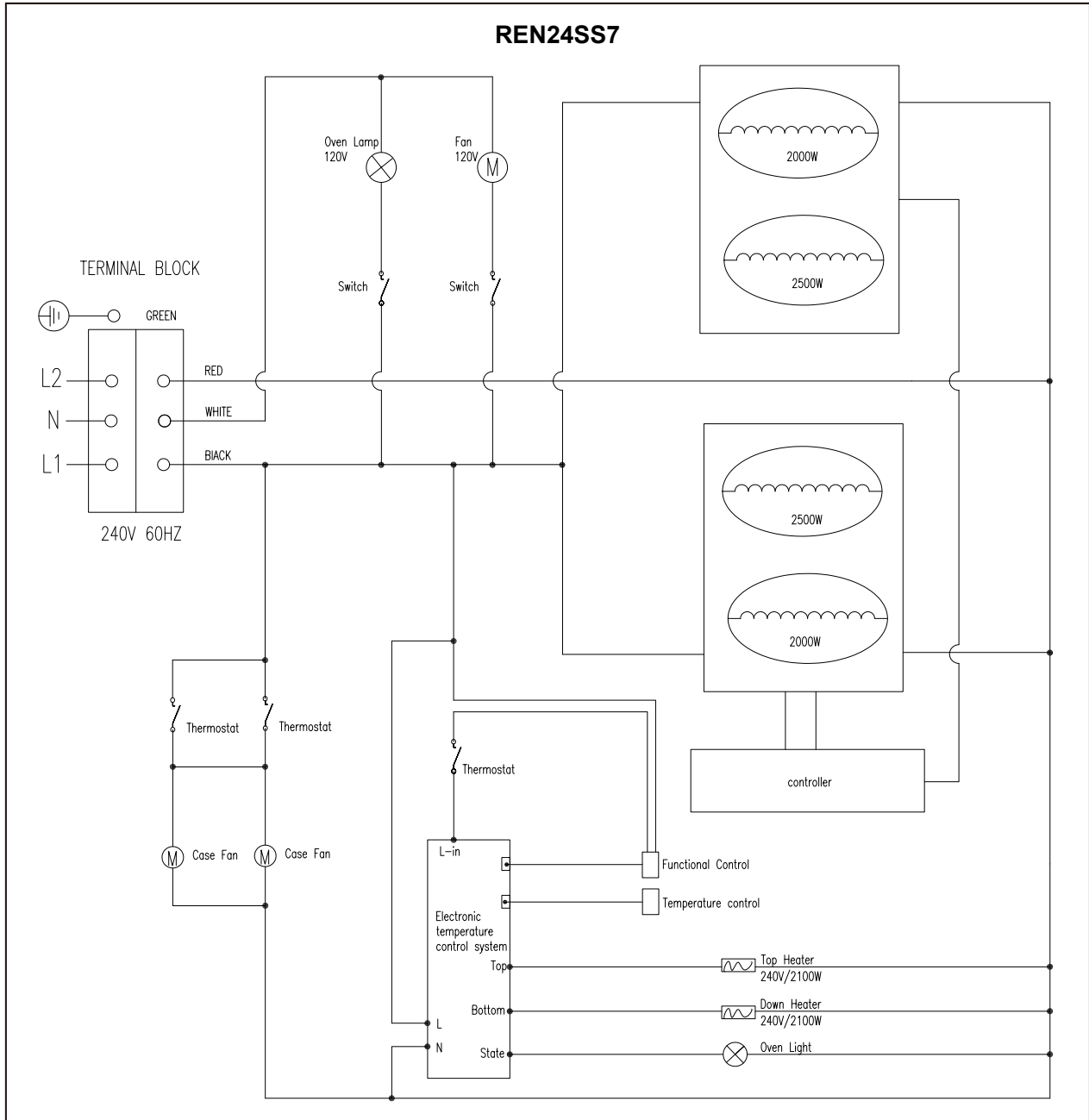
# SCHÉMA DE CÂBLAGE

## Table de Cuisson de 20 Pouces



# SCHÉMA DE CÂBLAGE

## Table de Cuisson de 24 Pouces



# AVANT D'UTILISER VOTRE CUISINIÈRE



**FAITES INSTALLER CETTE CUISINIÈRE PAR UN INSTALLATEUR QUALIFIÉ.**

*Une installation, un réglage, une modification ou un entretien incorrects peuvent entraîner des blessures ou des dommages matériels. Consultez un installateur ou une agence de service qualifiée. L'appareil doit être correctement positionné et installé comme décrit dans ce manuel, alors lisez attentivement le manuel. Pour réduire le risque d'incendie, de choc électrique ou de blessures lors de l'utilisation de l'appareil, suivez les précautions de base, y compris les suivantes :*

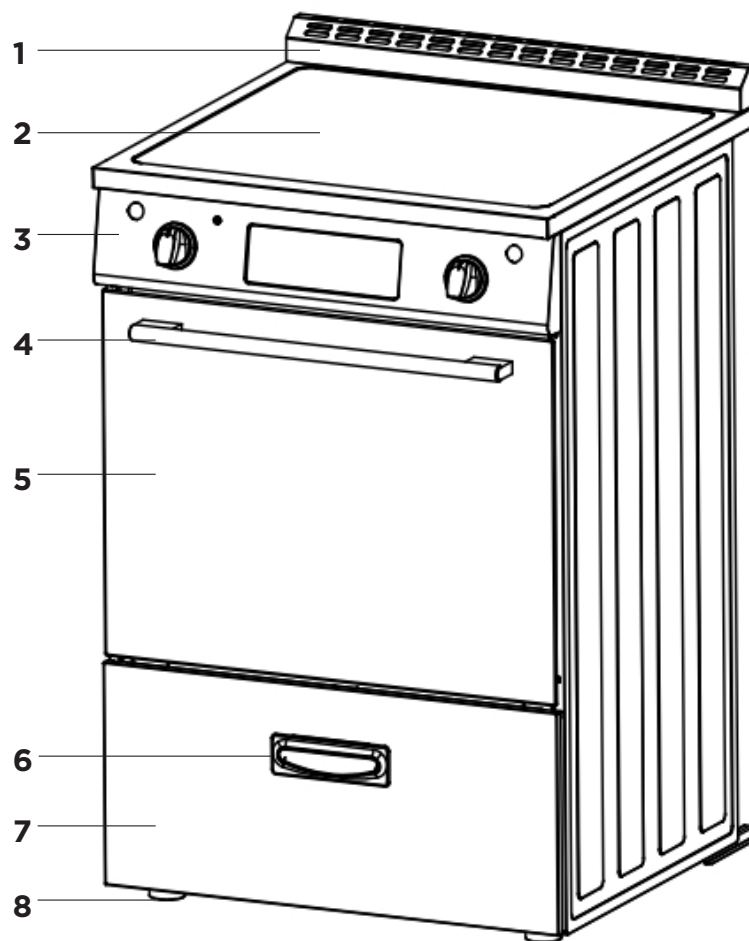
## AVANT D'UTILISER VOTRE CUISINIÈRE ÉLECTRIQUE :

1. Retirer l'emballage extérieur et intérieur.
2. Retirer le film protecteur sur les pièces en acier et en aluminium.
3. Vérifier que vous avez toutes les pièces listées ci-dessous:

- 1 **dosseret**
- 2 **vis (pour le pare-dos)**
- 2 **supports anti-basculement**
- 1 **grille de four**
- 1 **plateau émaillé**
- 1 **manuel d'instructions/d'installation**

- 
- Nettoyez la surface intérieure avec de l'eau tiède à l'aide d'un chiffon doux.
  - Faites installer votre cuisinière et correctement mettre à la terre par un installateur qualifié conformément aux instructions d'installation.
  - N'essayez pas de réparer ou de remplacer une pièce de votre cuisinière, à moins que cela ne soit spécifiquement recommandé dans ce manuel.
  - Ne retirez pas les étiquettes, avertissements ou plaques fixés de façon permanente sur l'appareil. Cela pourrait annuler la garantie.
  - L'installateur doit laisser ces instructions au consommateur, qui doit les conserver pour l'usage des inspecteurs locaux et pour référence future.
  - Veuillez respecter tous les codes et ordonnances locaux et nationaux.

## PIÈCES ET CARACTÉRISTIQUES



1. Dossieret avec grilles de ventilation intégrées au four
2. Table de cuisson
3. Panneau de commande
4. Poignée de porte du four
5. Porte du four
6. Poignée du tiroir de rangement
7. Tiroir de rangement
8. Pieds de nivellement (4)

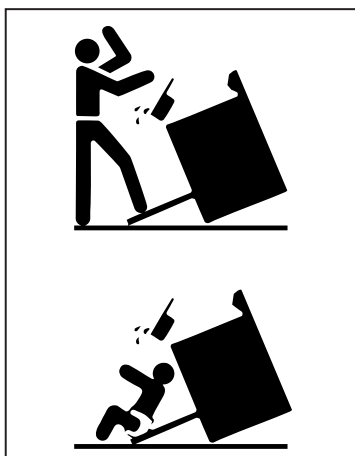


# DÉGAGEMENTS MURAUX ET SUPPORT ANTI-BASCULE

## AVERTISSEMENT

### NIVELER UNE CUISINIÈRE AUTOPORTANTE

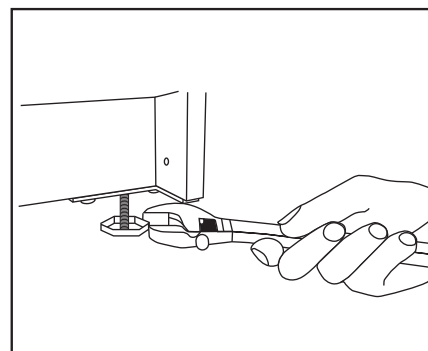
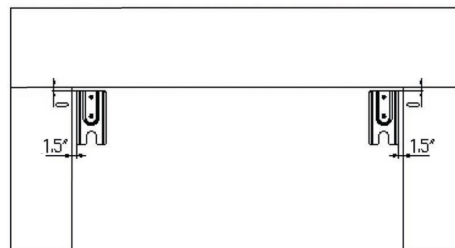
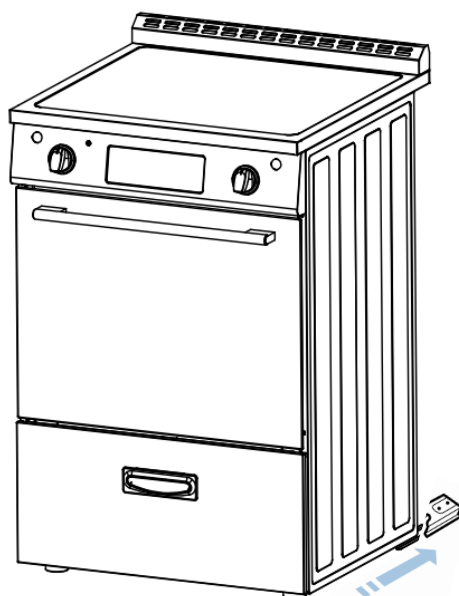
Toutes les cuisinières autoportantes doivent être nivelées pour obtenir de bons résultats de cuisson. Les pieds de nivellement doivent être vissés dans les supports d'angle. Placez une casserole ou un verre mesureur partiellement rempli d'eau, ou un niveau sur la grille du four. Ajustez les pieds de nivellement jusqu'à ce que la cuisinière soit de niveau. Le dessus des panneaux latéraux doit être au même niveau que le plan de travail.



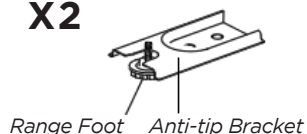
## AVERTISSEMENT

Un enfant ou un adulte peut faire basculer la cuisinière et être tué. Installez le dispositif anti-basculement à la structure et/ou à la cuisinière. Vérifiez que le dispositif anti-basculement a été correctement installé et activé. Fixez la cuisinière au dispositif anti-basculement en vous assurant que le dispositif anti-basculement est réactivé lorsque la cuisinière est déplacée. Réactivez le dispositif anti-basculement si la cuisinière est déplacée. Ne faites pas fonctionner la cuisinière sans le dispositif anti-basculement en place et activé. Consultez les instructions d'installation pour plus de détails. Le non-respect de cette consigne peut entraîner la mort ou de graves brûlures chez les enfants ou les adultes.

### INSTALLATION DU DISPOSITIF ANTI-BASCULEMENT



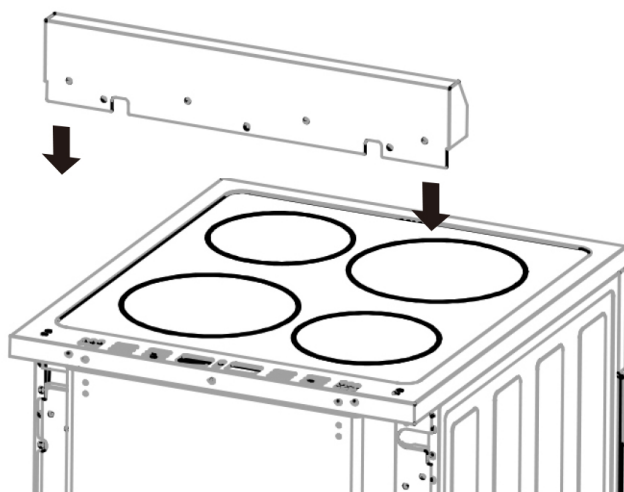
X2



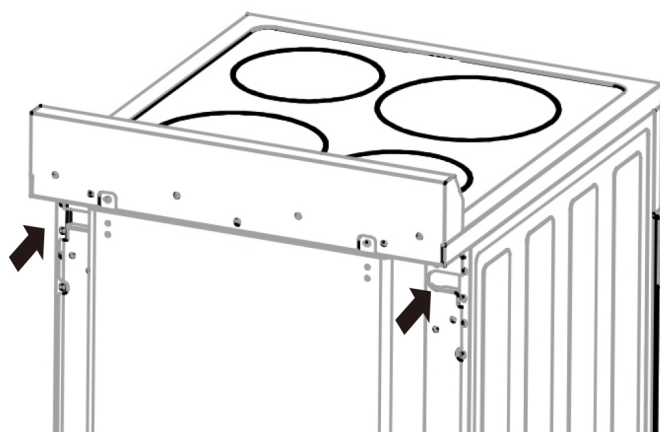
#### S'assurer que le dispositif anti-basculement est installé :

- Faites glisser la cuisinière vers l'avant.
- Vérifiez que le dispositif anti-basculement est bien fixé au sol.
- Faites glisser la cuisinière vers l'arrière afin que le pied arrière de la cuisinière soit sous le dispositif anti-basculement.

## COMMENT INSTALLER LE DOSSERET



1. Alignez le dossier à la partie arrière de la plaque de cuisson comme indiqué dans le diagramme.



2. Fixez le dossier à la plaque de cuisson par l'arrière à l'aide des 2 vis à tête Phillips fournies, comme indiqué dans le diagramme.

# FONCTIONNEMENT DU FOUR

Lorsque l'élément est sous tension, le voyant s'allume, quel que soit le réglage de chaleur, tant qu'un ou plusieurs éléments sont activés. Le contrôle offre une sortie de puissance variable, allant de faible à élevé, avec plusieurs positions d'ajustement. Tournez le bouton sur le réglage "élevé" pour augmenter la chaleur et sur le réglage "faible" pour la diminuer.

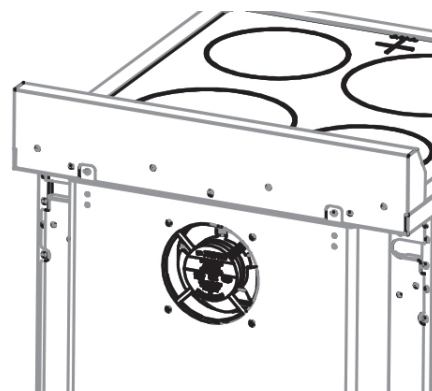
**Important** : Pour allumer, appuyez sur le bouton de contrôle vers l'intérieur, puis tournez-le.

**NOTE** : Le ventilateur de refroidissement à l'arrière de la cuisinière fonctionne périodiquement pour réguler la température à l'intérieur du panneau de contrôle. Il est normal d'entendre le ventilateur lorsque la cuisinière est en fonctionnement.

**Pour éviter de trop cuire les aliments, retirez les casseroles et poêles de la plaque de cuisson une fois la cuisson terminée. Évitez de placer des objets sur la plaque de cuisson tant qu'elle n'a pas complètement refroidi.**

## AVERTISSEMENT

Assurez-vous que les poignées des ustensiles de cuisine ne dépassent pas du bord de la cuisinière pour éviter les coups accidentels. Cela permet également de rendre plus difficile l'accès des enfants aux casseroles et poêles.



## CONSEILS POUR LES USTENSILES DE CUISINE

L'état physique de vos casseroles et poêles influence les performances de tous les systèmes de cuisson.

**Il est essentiel d'utiliser des ustensiles de cuisine appropriés pour obtenir des résultats optimaux.**

- Utilisez des ustensiles de cuisine à fond plat et des couvercles bien ajustés pour économiser de l'énergie et réduire le temps de cuisson.
- Seuls les ustensiles de cuisine fabriqués à partir de matériaux magnétiques, tels que la fonte ou certains types d'acier inoxydable, sont adaptés à l'utilisation sur des plaques à induction. Le verre, le verre/céramique, la céramique, la terre cuite et autres ustensiles émaillés ne fonctionneront pas, sauf s'ils ont une base magnétique. Pour les ustensiles en verre, les fabricants recommandent d'utiliser des réglages de chaleur faibles à moyens si compatibles.
- La taille de la poêle doit correspondre à la taille de l'élément de cuisson. Une poêle légèrement plus grande permet de couvrir l'ensemble de l'élément, empêchant les éclaboussures de toucher la surface de chaleur et de brûler. Utiliser une poêle plus petite que la taille de l'élément gaspille de l'énergie.
- Pour minimiser les éclaboussures et améliorer l'efficacité, assurez-vous que le fond de la casserole est propre et sec avant de la poser sur la plaque de cuisson.

## COMMANDES DU FOUR

Le four est utilisé avec deux boutons séparés :

### 1. Bouton de gril/four

Le bouton de gril/four est utilisé pour sélectionner le mode de cuisson. Lorsque le bouton est réglé sur la position de veille (au milieu), les éléments chauffants ne fonctionnent pas.

### 2. Bouton de température du four

Le bouton de température est utilisé pour ajuster la température du four.

## UTILISATION DU FOUR

1. Sélectionnez l'option de cuisson souhaitée (Gril ou Cuisson) en utilisant le **bouton Gril/Four**.
2. Réglez la température en utilisant le **bouton de température**.

# FONCTIONNEMENT DU FOUR (suite)

## MODE CUISSON:

1. Tourner le bouton du gril/du four sur l'option **FOUR**.
2. Tourner le bouton de température du four dans le sens des aiguilles d'une montre pour sélectionner la température souhaitée (jusqu'à un maximum de 500°F).
3. Pour éteindre le four, tournez le bouton de température du four sur la position **ARRET** (au centre) et tournez le bouton du gril/du four sur la position veille (au centre).

Votre cuisinière peut être utilisée à la fois pour le gril et la cuisson. Le four dispose de deux éléments chauffants distincts pour ces fonctions, qui sont:

Gril – 2100W (élément chauffant supérieur)

Cuisson – 2100W (élément chauffant inférieur)

**ATTENTION:** La porte du four devient très chaude pendant son fonctionnement. Gardez les enfants hors de portée.

**AVERTISSEMENT:** Lorsque la porte est chaude, utilisez la poignée.

**AVERTISSEMENT:** Après utilisation, éteignez le bouton du mode du four et le bouton de température du four.

## MODE GRIL:

1. Tourner le bouton du gril/du four sur l'option **GRIL**.
2. Tourner le bouton de température du four dans le sens des aiguilles d'une montre sur **MAX** pour activer le gril.
3. Pour éteindre le gril, tournez le bouton de température du four sur la position **ARRET** (au centre) et tournez le bouton du gril/du four sur la position veille (au centre).

**Remarque:** L'option **GRILL** fonctionne à une température **MAX** fixe, sans modulation de température.

## INSTRUCTIONS POUR LE GRIL :

1. Placez la viande sur la grille de gril dans la lèchefrite. Utilisez toujours la grille pour permettre au gras de s'écouler dans la lèchefrite ; sinon, les jus pourraient provoquer un risque d'incendie.

**REMARQUE : Ne jamais griller sans la lèchefrite.**

2. Placez la lèchefrite sur la deuxième grille en partant du haut.
3. Réglez le bouton du gril/du four sur l'option **GRIL**.
4. Tournez le bouton de température du four jusqu'à la température maximale de 500°F.
5. Pour éteindre le four, tournez le bouton de température du four sur la position **ARRET** (au centre) et tournez le bouton du gril/du four sur la position veille (au centre).

## IMPORTANT:

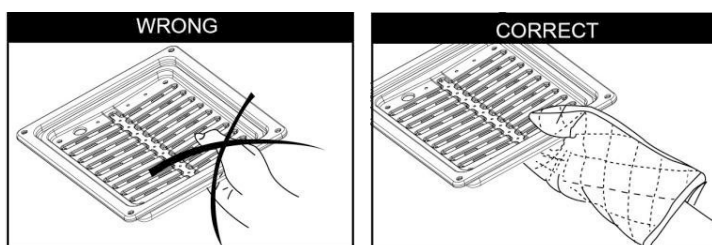
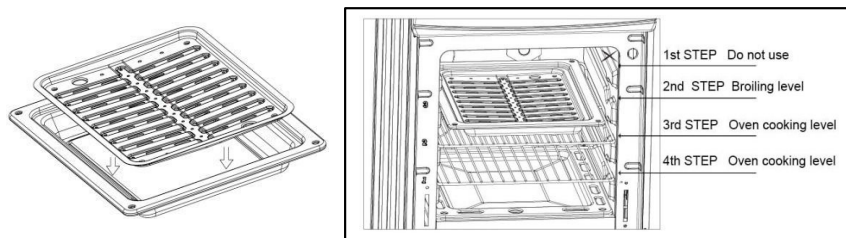
Portez toujours des gants de protection appropriés lors de l'insertion ou du retrait de la lèchefrite, des grilles, des casseroles ou de tout autre ustensile de cuisson du four.

**IMPORTANT: La fonction gril doit toujours être utilisée avec la porte du four fermée.**

Placez la grille du four sur le deuxième niveau en partant du haut.

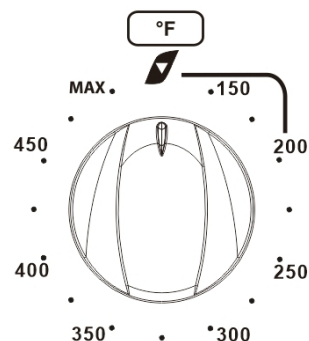
## FUNCTIONNEMENT DU FOUR (suite)

- Allumez le brûleur du grill comme décrit dans les étapes précédentes et laissez-le préchauffer pendant environ 5 minutes avec la porte du four fermée.
- Placez les aliments à cuire sur la lèchefrite.
- Positionnez la lèchefrite dans le four, en la plaçant au-dessus de la grille et en vous assurant qu'elle est centrée avec le brûleur du grill.



### PARAMÈTRE DU FOUR ÉLECTRIQUE

Numéro imprimé sur le bouton (température en °F)	Température correspondante en °C
150	65
200	93
250	121
300	149
350	177
400	204
450	232



### THERMOSTAT DU FOUR

- Les numéros imprimés sur le panneau de contrôle indiquent la valeur croissante de la température du four (°F).
- Pour régler la température, réglez le numéro choisi sur l'indicateur du bouton de contrôle.



**TRÈS IMPORTANT:** Utilisez toujours la fonction four/grill avec la porte fermée.

**TRÈS IMPORTANT:** Ne jamais obstruer les fentes d'aération du four sur le dossierer.

**IMPORTANT:** Ne pas griller sans utiliser la plaque de cuisson pour grill. Utilisez toujours la poignée pour ouvrir ou fermer la porte.

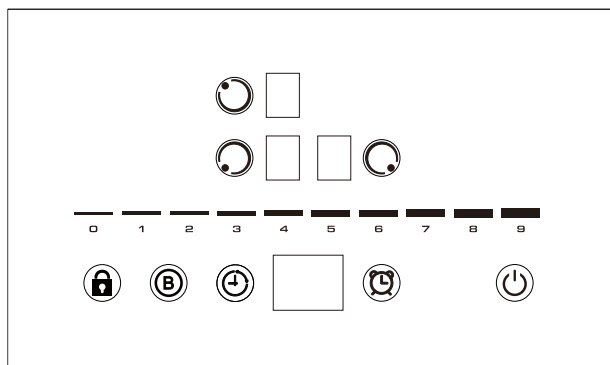
**IMPORTANT:** Utilisez toujours des gants de protection appropriés lors de l'insertion ou du retrait de la plaque de cuisson, des grilles, des casseroles ou d'autres ustensiles de cuisson du four.

**ATTENTION:** La cuisinière devient très chaude pendant son fonctionnement.

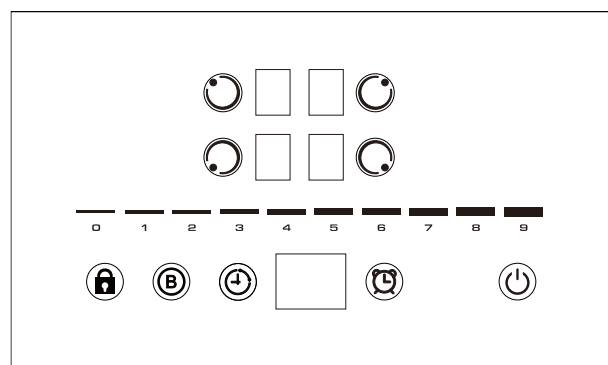
**ATTENTION:** La porte du four devient très chaude pendant son fonctionnement.

Gardez les enfants éloignés de la cuisinière/du four pendant son utilisation.

# FONCTIONNEMENT DE LA PLAQUE DE CUISSON



Série 20"



Série 24"

## 🔌 Mise SOUS/HORS tension:

Appuyez sur l'interrupteur d'alimentation pour **allumer** la cuisinière à induction. L'écran numérique affichera "-", indiquant que l'appareil est en mode veille. Si le chauffage ne commence pas dans les 1 minute, la cuisinière s'éteindra automatiquement et le buzzer émettra un signal sonore. Après l'arrêt, l'écran numérique s'éteindra.

## 🕒 Sélection du Réglage:

1. Appuyez sur la touche correspondante du brûleur (1, 2, 3 ou 4) pour sélectionner le brûleur. L'écran numérique de ce brûleur clignotera, indiquant le réglage actuel.
2. Appuyez sur la barre tactile pour ajuster le réglage. Le réglage sera automatiquement confirmé après 5 secondes, et l'écran arrêtera de clignoter.

## ⓑ Option BOOST:

1. Sélectionnez le brûleur correspondant (1, 2, 3 ou 4), et l'écran numérique clignotera pour indiquer le réglage actuel.
2. Appuyez sur le bouton boost pour activer la fonction boost. L'écran affichera "P". Après 5 secondes, le réglage boost sera automatiquement confirmé et l'écran du brûleur arrêtera de clignoter.
3. La fonction boost s'éteindra automatiquement après 5 minutes, et le brûleur reviendra à son réglage précédent.
4. Pour quitter manuellement la fonction boost, sélectionnez le brûleur et appuyez à nouveau sur le bouton boost. Le brûleur reviendra à son réglage précédent.

## 🔒 Fonction Verrouillage Enfant:

1. Pour activer le verrouillage enfant, appuyez sur le bouton de verrouillage enfant. L'affichage du minuteur affichera "Lo", et seuls les boutons d'alimentation et de verrouillage enfant seront fonctionnels. Tous les autres boutons seront désactivés.
2. Pour désactiver la fonction de verrouillage enfant, maintenez le bouton de verrouillage enfant enfoncé pendant 3 secondes.

# FONCTIONNEMENT DE LA PLAQUE DE CUISSON (suite)



## Minuterie de la plaque de cuisson:

Pour régler la minuterie, entrez votre temps de cuisson en utilisant deux chiffres, en commençant par le deuxième chiffre.

Par exemple, pour régler une minuterie de 12 minutes, entrez d'abord 2, puis 1. Pour une minuterie de 5 minutes, entrez d'abord 5, puis 0.

1. **Sélectionner la plaque de cuisson:** Choisissez la plaque (1, 2, 3 ou 4). L'affichage numérique de la plaque clignotera pour indiquer le niveau de chaleur actuel.
2. **Régler la minuterie:** Appuyez sur le bouton de la minuterie pour entrer en mode de réglage du temps.
  - a. **Commencez par le deuxième chiffre (chiffre des unités) de votre temps.** Faites glisser la barre tactile pour sélectionner une valeur de 0 à 9. L'affichage clignotera pour indiquer le chiffre des unités sélectionné.
  - b. **Entrez le premier chiffre (chiffre des dizaines) de votre temps.** Faites glisser la barre tactile pour sélectionner une valeur de 0 à 9. L'affichage clignotera pour indiquer le chiffre des dizaines sélectionné.
3. **Confirmer le réglage de la minuterie:** Le réglage de la minuterie sera confirmé automatiquement après 5 secondes. Ou confirmez manuellement en appuyant à nouveau sur le bouton de la minuterie.
4. **Fin de la minuterie:** Lorsque le temps réglé atteint 0, la plaque de cuisson s'éteindra automatiquement.



## Minuterie avec alarme sonore:

Réglez l'alarme pour émettre un signal sonore lorsque la minuterie se termine. Cela n'éteindra pas l'appareil.

1. **Appuyez sur le bouton de la minuterie pour entrer dans le réglage de la minuterie de rappel.**
  - a. **Commencez par le deuxième chiffre (chiffre des unités) de votre temps.** Faites glisser la barre tactile pour sélectionner une valeur de 0 à 9. L'affichage clignotera pour indiquer le chiffre des unités sélectionné.
  - b. **Entrez le premier chiffre (chiffre des dizaines) de votre temps.** Faites glisser la barre tactile pour sélectionner une valeur de 0 à 9. L'affichage clignotera pour indiquer le chiffre des dizaines sélectionné.
2. **Confirmer le réglage de la minuterie:** Le réglage de la minuterie sera confirmé automatiquement après 5 secondes. Ou confirmez manuellement en appuyant à nouveau sur le bouton de la minuterie.
3. Lorsque la minuterie de rappel atteint 0, le buzzer sonnera 30 fois (une fois par seconde).
4. Pour annuler la minuterie de rappel, réglez la minuterie sur 0 en suivant les mêmes étapes et revenez au réglage par défaut. La plaque de cuisson NE s'éteindra PAS lorsque l'alarme sonne.

### Note sur les minuterie multiples :

- Si plusieurs plaques de cuisson ont des minuterie activées, l'affichage numérique montrera le temps restant le plus bas parmi toutes les plaques. La plaque correspondante clignotera avec un "." dans le coin inférieur droit de l'affichage.
- Si les fonctions minuterie et verrouillage enfant sont toutes les deux actives, l'affichage de la minuterie alternera entre l'affichage de la valeur du temps et "Lo" (statut du verrouillage enfant).

### Indicateur de Chaleur Résiduelle:

1. Si une plaque de cuisson est réglée sur 0, mais que le capteur NTC (coefficient de température négatif) détecte une température supérieure à 113°F (45°C) sur la surface en verre, l'affichage numérique de cette plaque indiquera "H" pour signaler la chaleur résiduelle.
2. Si aucune chaleur résiduelle n'est détectée, l'affichage numérique montrera "-". Après 1 minute, tous les affichages s'éteindront.
3. Après la cuisson, le ventilateur continuera de fonctionner à 50% de sa vitesse pendant 1 minute pour refroidir l'appareil.

### Arrêt d'alimentation:

1. Si la touche d'arrêt échoue, l'alimentation de toutes les plaques de cuisson sera réglée sur 0, et la plaque à induction s'éteindra automatiquement.
2. Pour éteindre manuellement la plaque en cas de défaillance de la touche d'arrêt, appuyez simultanément sur trois touches ou plus.
3. Appuyez et maintenez trois touches quelconques pendant 5 secondes, ou réglez le niveau de puissance à 0, pour arrêter immédiatement la sortie de puissance et passer en mode veille. L'appareil s'éteindra automatiquement après 1 minute de mode veille. Si la cuisinière à induction fonctionne en continu au niveau 9 pendant 2 heures sans aucune interaction utilisateur, elle s'éteindra automatiquement.

# CODES D'ERREUR

## Codes d'Erreur:

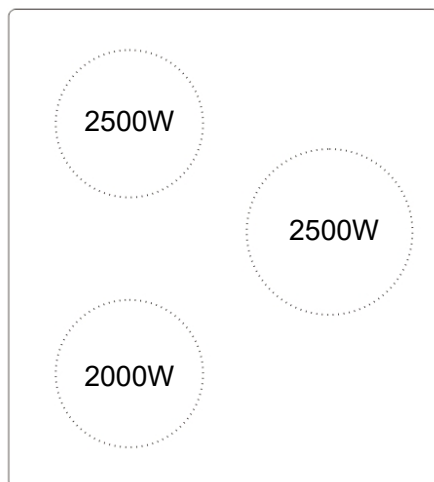
1. Les codes d'erreur peuvent être réinitialisés automatiquement après la résolution du problème.
2. Si aucune casserole n'est détectée sur une plaque pendant 1 minute, la plaque correspondante s'éteindra automatiquement (l'affichage numérique affichera 0).

Descriptions des Erreurs	Problèmes	Code
La tension est trop élevée ou trop faible	La tension d'alimentation ne répond pas aux exigences.	E1
Alerte IGBT	Température excessive de l'IGBT	E2
La température de la surface de la plaque de cuisson dépasse la limite maximale.	Si la température de la surface de la plaque de cuisson dépasse les limites de sécurité, le contrôle de la chauffe s'ajustera, mais la panne ne sera pas affichée sur le panneau de lampes.	E3
Défaillance du capteur	Défaillance due à un capteur de surface de plaque de cuisson, un IGBT ou un capteur de température NTC desserré, ouvert ou court-circuité	E4
Panne de circuit	Anomalie du circuit de charge	E5
Surtension ou mauvais contact électrique	Fluctuations de tension, y compris les surtensions et les baisses de tension	E6
Surtension de courant	Surtension ou fluctuation de courant	E7
Exception de communication	Câbles internes desserrés ou interférences environnementales	E8
Code de détection de casserole	Aucune casserole détectée, casseroles inappropriées détectées, ou casseroles retirées pendant le chauffage	"U" et "-" alternent

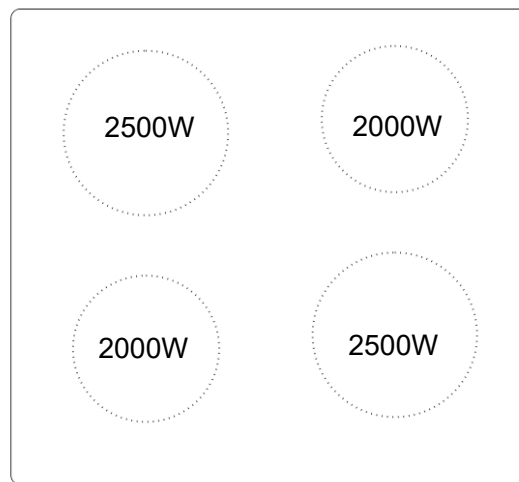
Si vous avez besoin d'aide pour votre appareil, appelez notre service clientèle au **800-932-4267** (poste **513**) entre 9 h 00 et 17 h 00, heure de l'Est, ou visitez **[www.summitappliance.com/support](http://www.summitappliance.com/support)**.  
Nous ferons de notre mieux pour répondre à vos questions.

Pour commander des pièces de rechange, veuillez consulter notre site web : **[summitapplianceparts.com](http://summitapplianceparts.com)**

## SÉCURITÉ DE LA PLAQUE DE CUISSON



Série 20"

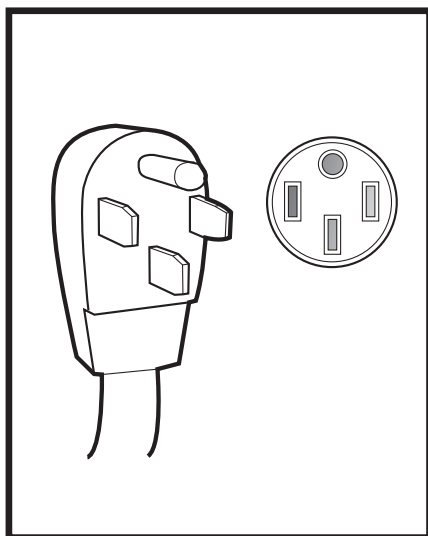


Série 24"

**LE TÉMOIN DE CHALEUR SURFACE S'ALLUMERA LORSQUE LA PLAQUE DE CUISSON SERA UTILISÉE ET RESTERA ALLUMÉ JUSQU'À CE QUE LA TEMPÉRATURE DE LA SURFACE DE LA PLAQUE EN VERRE RETOURNE À UNE TEMPÉRATURE SÛRE EN UTILISANT LES UNITÉS DE SURFACE.**

- Faites attention lorsque vous touchez la plaque de cuisson. La surface en verre de la plaque conservera de la chaleur après que les commandes aient été éteintes.
- Ne pas utiliser la plaque de cuisson si le verre est fissuré ou cassé. L'utilisation de la plaque de cuisson peut présenter un risque de choc électrique. Contactez immédiatement un technicien qualifié.
- Évitez de rayer le verre. La plaque de cuisson peut être facilement rayée en utilisant des objets tels que des couteaux, des bagues d'objets pointus, des bijoux.
- Évitez de stocker des objets qui pourraient fondre ou prendre feu sur la plaque en verre, même lorsqu'elle n'est pas utilisée. Si la plaque de cuisson est accidentellement allumée ou si de la chaleur provenant de l'évent du four est émise, ces objets peuvent fondre ou s'enflammer.
- Ne jamais cuisiner directement sur le verre, utilisez toujours des ustensiles de cuisine appropriés.

## ENTRETIEN & MAINTENANCE



### AVERTISSEMENT



#### Risque de Choc Électrique

- Branchez dans une prise à 4 broches avec mise à la terre. Assurez-vous qu'une mise à la terre appropriée existe avant d'utiliser la plaque de cuisson.
- Ne retirez pas la broche de mise à la terre.
- N'utilisez pas d'adaptateur ni de rallonge.
- Le non-respect de ces instructions peut entraîner la mort, un incendie ou un choc électrique.



**ATTENTION:** Avant toute opération de nettoyage et d'entretien, déconnectez l'appareil de l'alimentation électrique.

- Il est conseillé de nettoyer lorsque l'appareil est froid, en particulier pour le nettoyage des pièces émaillées.
- Évitez de laisser des substances alcalines ou acides (jus de citron, vinaigre, etc.) sur les surfaces.
- Évitez d'utiliser des produits de nettoyage à base de chlore ou d'acides.
- Le four doit toujours être nettoyé après chaque utilisation, en utilisant des produits appropriés et en gardant à l'esprit que son fonctionnement pendant 30 minutes à la température la plus élevée élimine la plupart des salissures en les réduisant en cendres.

#### REPLACEMENT DE L'AMPOULE DU FOUR

1. Laissez la cavité du four et le brûleur de grill refroidir.
2. Coupez l'alimentation électrique.
3. Retirez le couvercle de protection.
4. Dévissez et remplacez l'ampoule par une nouvelle, adaptée aux hautes températures (300° ~ 570°F), avec les mêmes spécifications : 240V 60Hz, 15W, E14.
5. Remettez le couvercle de protection.

**REMARQUE:** Le remplacement de l'ampoule du four n'est pas couvert par votre garantie.

#### NIVEAU DE LA PLAQUE DE CUISSON

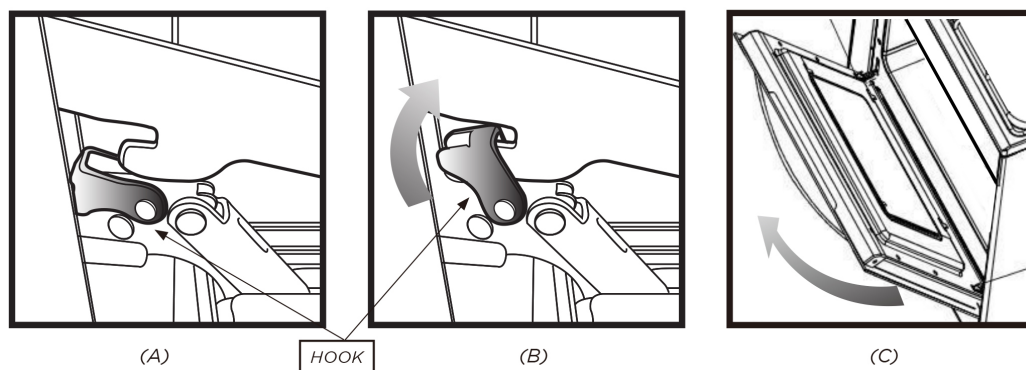
La plaque de cuisson doit être de niveau pour un fonctionnement optimal. Les quatre pieds réglables à vis situés sur les coins en bas de la plaque de cuisson doivent être ajustés en les tournant dans le sens des aiguilles d'une montre pour augmenter la hauteur de la plaque ou dans le sens inverse pour la baisser jusqu'à ce que la plaque soit de niveau. Utilisez un niveau sur les unités de surface pour vérifier le nivellement de la plaque de cuisson.

## ENTRETIEN & MAINTENANCE (suite)

### RETIRER LA PORTE DU FOUR POUR LE NETTOYAGE

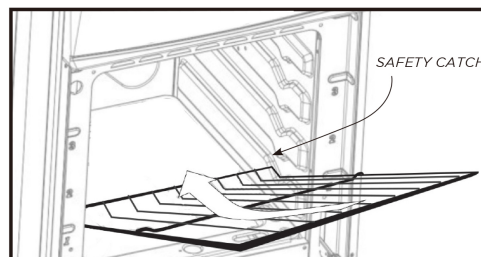
Pour faciliter le nettoyage du four, il est possible de retirer la porte. Veuillez suivre attentivement les instructions:

1. Ouvrez la porte complètement.
2. Soulevez les crochets gauche et droit sur les charnières (voir les figures A et B).
3. Tenez la porte à un angle de 45 degrés comme indiqué sur la figure C.
4. Fermez doucement la porte jusqu'à ce que les crochets la touchent, puis soulevez la porte à un angle de 45 degrés.
5. Placez la porte sur une surface douce et plane.
6. Pour remplacer la porte, suivez les étapes ci-dessus dans l'ordre inverse.



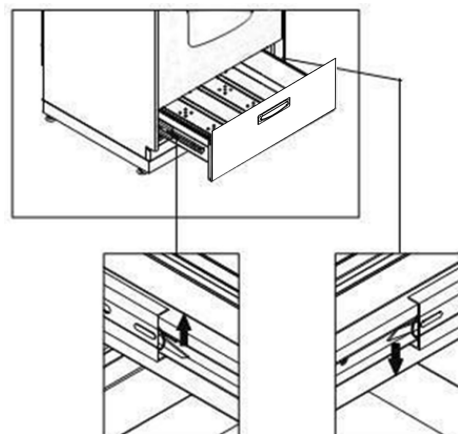
### INSTALLATION ET RETRAIT DE LA GRILLE DU FOUR

- Les grilles du four sont équipées d'un dispositif de sécurité pour éviter tout retrait accidentel.
- Elles doivent être insérées comme indiqué.
- Pour les retirer, retirez la grille dans l'ordre inverse.



### TIROIR DE RANGEMENT AMOVIBLE

Soulevez le petit crochet à gauche du tiroir vers le haut tout en appuyant simultanément sur le crochet droit vers le bas (comme indiqué).



**NE PAS STOCKER DE MATÉRIAUX INFLAMMABLES DANS LE FOUR OU DANS LE TIROIR DE RANGEMENT INFÉRIEUR**

# NETTOYER LE CUISEUR

## Important:

- Avant toute opération de nettoyage et de maintenance, débranchez l'appareil de l'alimentation électrique.
- Il est conseillé de nettoyer l'appareil lorsqu'il est froid, en particulier pour nettoyer les parties émaillées.
- Évitez de laisser des substances alcalines ou acides (jus de citron, vinaigre, etc.) sur les surfaces. Évitez d'utiliser des produits de nettoyage à base de chlore ou d'acides.
- Le four doit toujours être nettoyé après chaque utilisation, en utilisant des produits appropriés, en gardant à l'esprit que son fonctionnement pendant 30 minutes à la température la plus élevée élimine la plupart des salissures en les réduisant en cendres.
- Rangez toujours les produits de nettoyage et les produits chimiques dans un endroit sûr, hors de portée des enfants. Assurez-vous de connaître les produits que vous utilisez.
- Laissez toujours l'appareil refroidir complètement avant de le nettoyer et assurez-vous que toutes les pièces sont correctement remontées ensuite.

## Plaque de Cuisson

Pour de meilleurs résultats, utilisez une éponge et un nettoyant commercial pour plaque de cuisson, tel que le nettoyant Weiman. Pour les graisses et résidus tenaces, un grattoir en plastique peut être utilisé en association avec le produit, en suivant les instructions d'application.

## Boutons

Pour retirer les boutons, tirez-les vers l'avant. Nettoyez-les avec une solution de détergent doux et de l'eau. Évitez d'utiliser des nettoyants abrasifs ou de frotter, car cela pourrait rayer les boutons.

Si les boutons deviennent lâches sur la tige de la vanne, élargissez doucement la tige de la vanne avec un petit tournevis.

## Utilisation de nettoyants commerciaux pour four

Les nettoyants commerciaux pour four sont sûrs pour les fours revêtus de porcelaine, mais suivez attentivement les instructions. Portez des gants en caoutchouc pour vous protéger.

Après utilisation, rincez le four avec une solution composée d'une cuillère à soupe de vinaigre pour 1 tasse d'eau. Évitez tout contact avec l'ampoule du thermostat, ou toute partie en chrome, aluminium ou plastique.

**NE PAS APPLIQUER NI LAISSER LE NETTOYANT EN CONTACT AVEC DES PARTIES OU SURFACES AUTRES QUE L'INTÉRIEUR DU FOUR.**

## Éléments en Acier Inoxydable

Nettoyez la finition en acier inoxydable avec un détergent et de l'eau tiède, ou utilisez un nettoyant pour acier inoxydable. Rincez à l'eau et séchez avec un chiffon doux ou du cuir chamois.

Pour les taches tenaces, utilisez un nettoyant non abrasif pour acier inoxydable ou un peu de vinaigre chaud.

# NETTOYER LE CUISEUR (suite)

## Papier d'Aluminium dans le Four



### AVERTISSEMENT

**NE JAMAIS couvrir les fentes, les trous ou les passages du fond du four ni couvrir entièrement une grille avec des matériaux tels que du papier d'aluminium. Cela bloque la circulation de l'air à travers le four. Les revêtements en papier d'aluminium peuvent également piéger la chaleur, créant ainsi un risque d'incendie.**

Le papier d'aluminium mal utilisé est une cause fréquente d'incendies de cuisinières. Assurez-vous que les événements ou ouvertures d'air ne sont pas obstrués par le papier d'aluminium. Si les événements situés sur les côtés du fond du four sont bloqués, cela entraînera une mauvaise cuisson.

Ne couvrez jamais une grille entièrement. Un morceau de papier d'aluminium légèrement plus grand que l'ustensile de cuisson peut être placé sous celui-ci.

Retirez et jetez le papier d'aluminium après chaque utilisation. Cela permet d'éviter que la graisse et la nourriture renversée ne s'accumulent et ne deviennent un risque d'incendie.

### Nettoyants et Matériaux de Nettoyage

Évitez d'utiliser des nettoyants ou des dégraissants agressifs sur ou autour des pièces fonctionnelles (vannes, commandes, tuyaux en aluminium), car cela pourrait endommager les pièces et réduire considérablement leur durée de vie.

Pour les protections arrière, les panneaux de contrôle en aluminium et les surfaces peintes, utilisez uniquement une solution de savon doux et d'eau. Ne jamais utiliser de nettoyants abrasifs ou de poudres qui pourraient rayer ou endommager la surface. Assurez-vous que les produits de nettoyage sont adaptés à la zone à nettoyer.

Rangez toujours les matériaux de nettoyage en toute sécurité. Ne jamais utiliser de grattoir métallique tranchant sur le verre, la porcelaine ou les surfaces peintes.

### Pièces de Réparation

Lorsque des pièces de réparation sont nécessaires, contactez le revendeur auprès duquel la cuisinière a été achetée. Si votre cuisinière a été achetée auprès d'une source autre qu'un revendeur d'appareils électroménagers, vous préférerez peut-être contacter le fabricant à l'adresse indiquée dans ce manuel.

### Humidité

Lors du chauffage initial de votre cuisinière, l'humidité de l'air du four peut provoquer de la buée sur le verre de la porte ou de l'eau sur la porte. Pour éviter cela, ouvrez la porte du four pendant les premières secondes de chauffage afin de permettre à l'air humide de s'échapper, empêchant ainsi la formation de buée visible. La quantité d'humidité peut varier en fonction de l'humidité de l'air et de la teneur en eau des aliments cuits. La buée et les gouttes d'eau sont plus fréquentes dans les zones à forte humidité.

# DÉPANNAGE

Vous pouvez résoudre de nombreux problèmes courants des appareils, ce qui vous permet d'économiser le coût d'un appel de service. Essayez les suggestions ci-dessous avant de passer l'appel pour voir si vous pouvez résoudre le problème.

PROBLÈME	CAUSE POSSIBLE	SOLUTION
L'unité de surface ne maintient pas un frémississement ou la vitesse de friture n'est pas suffisamment rapide.	Les ustensiles de cuisine peuvent ne pas être adaptés à l'unité de surface, ou ils peuvent être inégaux, ce qui entraîne un mauvais transfert de chaleur.	Assurez-vous que le fond de l'ustensile de cuisson est plat et entre en contact total avec l'élément chauffant pour une répartition uniforme de la chaleur.  Utilisez des ustensiles de cuisson de la taille correspondante à celle du brûleur pour garantir un chauffage efficace.
Les aliments cuisent lentement.	Une accumulation de graisse ou de résidus sur le brûleur ou la surface de cuisson peut ralentir le transfert de chaleur.	Assurez-vous que le brûleur est éteint et complètement refroidi avant de le nettoyer.
Les unités de surface ne fonctionnent pas.	L'appareil peut ne pas être correctement connecté à la source d'alimentation ou il pourrait y avoir un problème électrique.  Le disjoncteur ou le fusible peut avoir sauté, coupant l'alimentation des unités de surface.	Assurez-vous que l'appareil est branché et reçoit de l'alimentation. Réinitialisez les disjoncteurs déclenchés ou remplacez les fusibles grillés.
Les boutons de contrôle ne tournent pas.	Si c'est un bouton de commande de l'unité de surface, vous ne poussez pas avant de tourner.  Si c'est le bouton de commande du four, vous tournez le bouton dans la mauvaise direction.	Poussez le bouton de commande avant de le tourner.  Assurez-vous de tourner le bouton dans le bon sens pour ajuster les réglages du four.  Vérifiez s'il y a des obstructions ou des accumulations autour du contrôle.
La lumière du four ne fonctionne pas.	L'ampoule est desserrée ou défectueuse.	L'ampoule peut devoir être remplacée.
Le réglage de la cuisson ne fonctionne pas.	L'interrupteur à bascule peut être réglé sur la position GRIL ou sur la position ÉTEINT.	Assurez-vous que l'interrupteur à bascule est réglé sur le mode de cuisson correct (CUISSON) au lieu de GRIL ou ÉTEINT.
Le réglage du gril ne fonctionne pas.	L'interrupteur à bascule peut être réglé sur la position CUISSON ou sur la position ÉTEINT.	Assurez-vous que l'interrupteur à bascule est réglé sur le mode de cuisson correct (GRIL) au lieu de CUISSON ou ÉTEINT.
Les aliments ne cuisent pas / ne grillent pas correctement.	Le bouton de commande du four n'est pas réglé correctement.  La position de la grille utilisée est incorrecte.  L'ustensile de cuisson n'est pas adapté pour le gril.  Le thermostat du four est défectueux.	Voir ci-dessus.  Ajustez la grille du four à la position correcte pour le gril.  Utilisez des ustensiles de cuisson adaptés au gril.  Testez la température à l'aide d'un thermomètre de four. Si la température est incorrecte, le thermostat peut nécessiter une réparation ou un remplacement par un technicien.

Si vous avez vérifié le tableau ci-dessus et constatez que vous avez toujours besoin d'aide pour votre appareil, appelez notre service clientèle au **800-932-4267** (poste **513**) entre 9 h 00 et 17 h 00, heure de l'Est, ou visitez **[www.summitappliance.com/support](http://www.summitappliance.com/support)**. Nous ferons de notre mieux pour répondre à vos questions.

Pour commander des pièces de rechange, veuillez consulter notre site web : **[summitapplianceparts.com](http://summitapplianceparts.com)**

# NOTES

## GARANTIE LIMITÉE

### GARANTIE LIMITÉE D'UN AN

La couverture de garantie est disponible dans les 48 États continentaux des États-Unis, ainsi que dans certaines régions de l'Alaska, d'Hawaï et du Canada. Pour les endroits non couverts, les consommateurs peuvent soit contacter un fournisseur local, soit coordonner avec Felix Storch, Inc. afin de trouver des options de service à proximité, lesquelles peuvent donner droit à un remboursement partiel.

La garantie de cet appareil est valable pendant un an à compter de la date d'achat, à condition que l'appareil soit utilisé et entretenu conformément aux instructions fournies avec le produit. Le garant prendra en charge le coût des pièces d'origine spécifiées par l'usine et de la main-d'œuvre nécessaire pour corriger les défauts de matériaux ou de fabrication. Le service doit être effectué par une entreprise de service désignée.

Toutes les pièces, sauf le compresseur, sont garanties pendant un an contre les défauts de fabrication. Les pièces en plastique, les étagères et les armoires sont fabriquées selon des normes commerciales acceptables, mais ne sont pas couvertes en cas de dommages subis lors de la manipulation ou de bris.

### ÉLÉMENTS NON COUVERTS PAR LE GARANT:

1. Les appels de service visant à corriger l'installation de votre appareil, à vous expliquer son utilisation, à remplacer ou réparer des fusibles ou à corriger le câblage ou la plomberie.
2. Les appels de service pour réparer ou remplacer les ampoules de l'appareil ou les étagères cassées. Les pièces consommables (comme les filtres) sont exclues de la couverture de garantie.
3. Les dommages résultant d'un accident, d'une modification, d'une mauvaise utilisation, d'un abus, d'un incendie, d'une inondation, de catastrophes naturelles, d'une installation incorrecte, d'une installation non conforme aux codes électriques ou de plomberie, ou de l'utilisation de produits non approuvés par le garant.
4. Les pièces de rechange ou les coûts de main-d'œuvre pour des appareils utilisés en dehors des 48 États continentaux des États-Unis, ainsi que dans certaines régions de l'Alaska, d'Hawaï et du Canada.
5. Les réparations de pièces ou de systèmes résultant de modifications non autorisées apportées à l'appareil.
6. Les frais de déplacement et de transport pour le service du produit dans des endroits éloignés.
7. Le retrait et la réinstallation de votre appareil s'il est installé dans un endroit inaccessible ou non installé conformément aux instructions d'installation publiées.

### EXONÉRATION DE GARANTIES IMPLICITES ; LIMITATION DES RECOURS

LE SEUL ET UNIQUE RECOURS DU CLIENT EN VERTU DE LA PRÉSENTE GARANTIE LIMITÉE CONSISTE EN LA RÉPARATION DU PRODUIT TELLE QUE PRÉVUE CI-DESSUS. LES GARANTIES IMPLICITES, Y COMPRIS LES GARANTIES DE QUALITÉ MARCHANDE OU D'APTITUDE À UN USAGE PARTICULIER, SONT LIMITÉES À UNE DURÉE D'UN AN. LE GARANT NE SERA PAS RESPONSABLE DES DOMMAGES INDIRECTS OU CONSÉCUTIFS. CERTAINS ÉTATS N'AUTORISENT PAS L'EXCLUSION OU LA LIMITATION DES DOMMAGES INDIRECTS OU CONSÉCUTIFS, NI LES LIMITATIONS DE DURÉE DES GARANTIES IMPLICITES DE QUALITÉ MARCHANDE OU D'APTITUDE, DE SORTE QUE CES EXCLUSIONS OU LIMITATIONS PEUVENT NE PAS S'APPLIQUER À VOUS. CETTE GARANTIE VOUS CONFÈRE DES DROITS LÉGAUX SPÉCIFIQUES, ET VOUS POUVEZ ÉGALEMENT BÉNÉFICIER D'AUTRES DROITS QUI VARIENT SELON L'ÉTAT.



**AVERTISSEMENT : Ce produit peut vous exposer à des produits chimiques, y compris le Nickel (Métallique) qui est connu dans l'État de Californie pour provoquer le cancer.**

**Pour plus d'informations, rendez-vous sur [www.P65Warnings.ca.gov](http://www.P65Warnings.ca.gov)**

Remarque : Le Nickel est un composant de tout l'acier inoxydable et de certaines autres compositions Métalliques