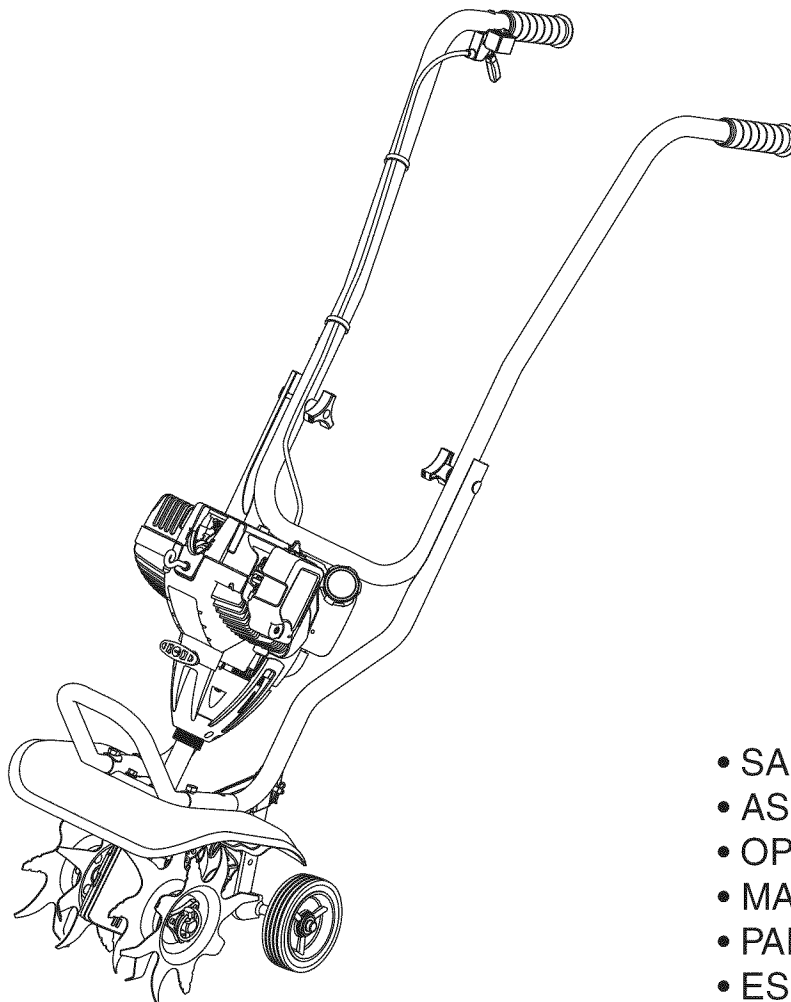


# Operator's Manual



## 4-Cycle Garden MINI TILLER

Model No. 316.292650



- SAFETY
- ASSEMBLY
- OPERATION
- MAINTENANCE
- PARTS LIST
- ESPAÑOL, P. E1

**CAUTION:** Before using this product, read this manual and follow all safety rules and operating instructions.

Sears, Roebuck and Co., Hoffman Estates, IL 60179, U.S.A.  
Visit our website: [www.sears.com/craftsman](http://www.sears.com/craftsman)

769-04601 P00

## RULES FOR SAFE OPERATION

### TABLE OF CONTENTS

Service Information	1
Rules for Safe Operation	2
Warranty Information	4
Know Your Unit	5
Assembly Instructions	6
Oil and Gas Information	7
Starting/Stopping Instructions	8
Operating Instructions	9
Maintenance and Repair Instructions	9
Cleaning and Storage	13
Troubleshooting Chart	14
Specifications	15
Parts List	E17
Service Information	E20

### SPARK ARRESTOR NOTE

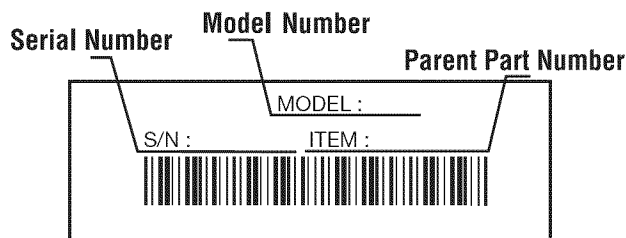
**NOTE: For users on U.S. Forest Land and in the states of California, Maine, Oregon and Washington.** All U.S. Forest Land and the state of California (Public Resources Codes 4442 and 4443), Oregon and Washington require, by law that certain internal combustion engines operated on forest brush and/or grass-covered areas be equipped with a spark arrestor, maintained in effective working order, or the engine be constructed, equipped and maintained for the prevention of fire. Check with your state or local authorities for regulations pertaining to these requirements. Failure to follow these requirements could subject you to liability or a fine. **This unit is factory equipped with a spark arrestor.** If it requires replacement, ask your LOCAL SERVICE DEALER to install the **Accessory Part #753-05297 Muffler Assembly.**

### CALIFORNIA PROPOSITION 65 WARNING

WARNING

**THE ENGINE EXHAUST FROM THIS PRODUCT CONTAINS CHEMICALS KNOWN TO THE STATE OF CALIFORNIA TO CAUSE CANCER, BIRTH DEFECTS OR OTHER REPRODUCTIVE HARM.**

Before beginning, locate the unit's model plate. It lists the model and serial numbers of your unit. Refer to the sample plate below and copy the information for future reference.



Copy the model and parent part number here:

---

Copy the serial number here:

---

### • IMPORTANT SAFETY INSTRUCTIONS •

#### READ ALL INSTRUCTIONS BEFORE OPERATING

**WARNING:** When using the unit, you must follow the safety rules. Please read these instructions before operating the unit in order to ensure the safety of the operator and any bystanders. Please keep these instructions for later use.

- Read the instructions carefully. Be familiar with the controls and proper use of the unit.
- Do not operate this unit when tired, ill, or under the influence of alcohol, drugs, or medication.
- Children and teens under the age of 15 must not use the unit, except for teens guided by an adult.

The purpose of safety symbols is to attract your attention to possible dangers. The safety symbols, and their explanations, deserve your careful attention and understanding. The safety warnings do not by themselves eliminate any danger. The instructions or warnings they give are not substitutes for proper accident prevention measures.

SYMBOL	MEANING
	<b>SAFETY ALERT:</b> Indicates danger, warning or caution. Attention is required in order to avoid serious personal injury. May be used in conjunction with other symbols or pictographs.
	<b>DANGER:</b> Failure to obey a safety warning will result in serious injury to yourself or to others. Always follow the safety precautions to reduce the risk of fire, electric shock and personal injury.
	<b>WARNING:</b> Failure to obey a safety warning can result in injury to yourself and others. Always follow the safety precautions to reduce the risk of fire, electric shock and personal injury.
	<b>CAUTION:</b> Failure to obey a safety warning may result in property damage or personal injury to yourself or to others. Always follow the safety precautions to reduce the risk of fire, electric shock and personal injury.



**NOTE:** Advises you of information or instructions vital to the operation or maintenance of the equipment.

**Read the Operator's Manual and follow all warnings and safety instructions. Failure to do so can result in serious injury to the operator and/or bystanders.**

**FOR QUESTIONS, CALL 1-800-659-5917**

## RULES FOR SAFE OPERATION

eye protection. If you are approached, stop the unit immediately.

- Squeeze the throttle control and check that it returns automatically to the idle position. Make all adjustments or repairs before using unit.

### SAFETY WARNINGS FOR GAS UNITS



**WARNING:** Gasoline is highly flammable, and its vapors can explode if ignited. Take the following precautions:

- Store fuel only in containers specifically designed and approved for the storage of such materials.
- Avoid creating a source of ignition for spilled fuel. Do not start the engine until fuel vapors dissipate.
- Always stop the engine and allow it to cool before filling the fuel tank. Never remove the cap of the fuel tank, or add fuel, when the engine is hot. Never operate the unit without the fuel cap securely in place. Loosen the fuel tank cap slowly to relieve any pressure in the tank.
- Add fuel in a clean, well-ventilated outdoor area where there are no sparks or flames. Slowly remove the fuel cap only after stopping engine. Do not smoke while fueling or mixing fuel. Wipe up any spilled fuel from the unit immediately. Always wipe unit dry before using.
- Move the unit at least 30 feet (9.1 m) from the fueling source and site before starting the engine. Do not smoke or allow sparks and open flames near the area while adding fuel or operating the unit.

### WHILE OPERATING

- Never start or run the unit inside a closed room or building. Breathing exhaust fumes can kill. Operate this unit only in a well ventilated outdoor area.
- Wear safety glasses or goggles that meet ANSI Z87.1-1989 standards and are marked as such. Wear ear/hearing protection when operating this unit. Wear a face or dust mask if the operation is dusty.
- Wear heavy, long pants, boots, gloves and a long-sleeved shirt. Do not wear loose clothing, jewelry, short pants, sandals or go barefoot. Secure hair above shoulder level.
- This unit has a clutch. The tines remain stationary when the engine is idling. If they do not, have the unit adjusted by an authorized service technician.
- Be sure the tines are not in contact with anything before starting the unit.
- Use the unit only in daylight or good artificial light.
- Avoid accidental starting. Be in the starting position whenever pulling the starter rope. The operator and unit must be in a stable position while starting. See *Starting/Stopping Instructions*.

- Use the right tool. Only use this tool for the purpose intended.
- Use extreme caution when reversing or pulling the unit towards you.
- Do not overreach. Always keep proper footing and balance. Take extra care when working on steep slopes or inclines.
- Always hold the unit with both hands when operating. Keep a firm grip on the grips.
- Keep hands, face, and feet at a distance from all moving parts. Do not touch or try to stop the tines when they are rotating.
- Do not touch the engine or muffler. These parts get extremely hot from operation, even after the unit is turned off.
- Do not operate the engine faster than the speed needed to cultivate. Do not run the engine at high speed when you are not cultivating.
- Always stop the engine when cultivating is delayed or when walking from one cultivating location to another.
- If you strike or become entangled with a foreign object, stop the engine immediately and check for damage. Do not operate before repairing damage. Do not operate the unit with loose or damaged parts.
- Stop the unit, switch the engine to off, and disconnect the spark plug for maintenance or repair.
- Use only original equipment manufacturer replacement parts and accessories for this unit. These are available from your authorized service dealer. Use of any unauthorized parts or accessories could lead to serious injury to the user, or damage to the unit, and void your warranty.
- Keep unit clean of vegetation and other materials. They may become lodged between the tines and guard.
- To reduce fire hazard, replace faulty muffler and spark arrester, keep the engine and muffler free from grass, leaves, excessive grease or carbon build up.

### AFTER USE

- Clean tines with a household cleaner to remove any gum buildup. Oil the tines with machine oil to prevent rust.

### OTHER SAFETY WARNINGS

- Never store a fueled unit inside a building where fumes may reach an open flame or spark.
- Allow the engine to cool before storing or transporting. Be sure to secure the unit while transporting.
- Store the unit in a dry area, locked up or up high to prevent unauthorized use or damage, out of the reach of children.
- Never douse or squirt the unit with water or any other liquid. Keep handles dry, clean and free from debris. Clean after each use, see *Cleaning and Storage Instructions*.
- Keep these instructions. Refer to them often and use them to instruct other users. If you loan someone this unit, also loan them these instructions.

## SAVE THESE INSTRUCTIONS

### • SAFETY AND INTERNATIONAL SYMBOLS •

This operator's manual describes safety and international symbols and pictographs that may appear on this product. Read the operator's manual for complete safety, assembly, operating and maintenance and repair information.





#### SYMBOL MEANING

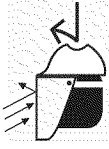
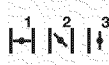

	<ul style="list-style-type: none"> <li>• <b>SAFETY ALERT SYMBOL</b> Indicates danger, warning or caution. May be used in conjunction with other symbols or pictographs.</li> </ul>
	<ul style="list-style-type: none"> <li>• <b>READ OPERATOR'S MANUAL</b> <b>WARNING:</b> Read the operator's manual(s) and follow all warnings and safety instructions. Failure to do so can result in serious injury to the operator and/or bystanders.</li> </ul>

#### SYMBOL MEANING

	<ul style="list-style-type: none"> <li>• <b>ON/OFF STOP CONTROL</b> ON / START / RUN</li> </ul>
	<ul style="list-style-type: none"> <li>• <b>ON/OFF STOP CONTROL</b> OFF or STOP</li> </ul>
	<ul style="list-style-type: none"> <li>• <b>HOT SURFACE WARNING</b> Do not touch a hot surface. You may get burned. These parts get extremely hot from operation. They remain hot for a short time after the unit is turned off.</li> </ul>

## RULES FOR SAFE OPERATION

	<p>• <b>UNLEADED FUEL</b> Always use clean, fresh unleaded fuel.</p>
	<p>• <b>OIL</b> Refer to operator's manual for the proper type of oil.</p>
	<p>• <b>KEEP BYSTANDERS AWAY</b> <b>WARNING:</b> Keep all bystanders, especially children and pets, at least 50 feet (15 m) from the operating area.</p>
	<p>• <b>THROWN OBJECTS AND ROTATING CUTTER CAN CAUSE SEVERE INJURY</b> <b>WARNING:</b> Do not operate without the cutting attachment shield in place. Keep away from the rotating cutting attachment.</p>

	<p>• <b>WEAR EYE AND HEARING PROTECTION</b> <b>WARNING:</b> Thrown objects and loud noise can cause severe eye injury and hearing loss. Wear eye protection meeting ANSI Z87.1-1989 standards and ear protection when operating this unit. Use a full face shield when needed.</p>
	<p>• <b>CHOKE CONTROL</b></p> <ol style="list-style-type: none"> <li>• <b>FULL</b> choke position</li> <li>• <b>PARTIAL</b> choke position</li> <li>• <b>RUN</b> choke position</li> </ol>
	<p>• <b>GARDEN MINI TILLERS – ROTATING TINES CAN CAUSE SEVERE INJURY</b> <b>WARNING:</b> Stop the engine and allow the tines to stop before installing or removing tines, or before cleaning or performing any maintenance. Keep hands and feet away from rotating tines.</p>

## WARRANTY STATEMENT

### CRAFTSMAN TWO YEAR LIMITED WARRANTY

When operated and maintained according to all supplied instructions, if this Craftsman product fails due to a defect in material or workmanship within two years from the date of purchase, take it to any Sears or other authorized Craftsman location in the United States for free repair. Call 1-800-4-MY-HOME® for the nearest authorized location.

This warranty applies for only 90 days from the date of purchase if this product is ever used for commercial or rental purposes.

**This warranty covers ONLY defects in material and workmanship. Sears will NOT pay for:**

- Expendable items that become worn during normal use, including but not limited to blades, tines, or belts.
- Tire or wheel replacement or repair resulting from normal wear, accident, or improper operation or maintenance.
- Repairs necessary because of operator abuse, including but not limited to damage caused by impacting objects that bend the frame or motor crankshaft.
- Repairs necessary because of operator negligence, including but not limited to, electrical and mechanical damage caused by improper storage, or failure to maintain the equipment according to the instructions contained in the operator's manual.
- Repairs necessary due to improper fuel mixture, contaminated or stale fuel.
- Normal deterioration and wear of the exterior finishes, or product label replacement.

This warranty applies only while this product is within the United States. This warranty gives you specific legal rights, and you may also have other rights which vary from state to state.

Sears, Roebuck and Co., Hoffman Estates, IL 60179

### Repair Protection Agreements

Congratulations on making a smart purchase. Your new Craftsman® product is designed and manufactured for years of dependable operation. But like all products, it may require repair from time to time. That's when having a Repair Protection Agreement can save you money and aggravation.

**Here's what the Repair Protection Agreement\* includes:**

- ☑ **Expert service** by our 10,000 professional repair specialists
- ☑ **Unlimited service and no charge** for parts and labor on all covered repairs
- ☑ **Product replacement** up to \$1500 if your covered product can't be fixed
- ☑ **Discount of 10%** from regular price of service and related installed parts not covered by the agreement; also, 10% off regular price of preventive maintenance check
- ☑ **Fast help by phone** – we call it Rapid Resolution – phone support from a Sears representative. Think of us as a “talking owner's manual.”

Once you purchase the Repair Protection Agreement, a simple phone call is all that it takes for you to schedule service. You can call anytime day or night, or schedule a service appointment online.

The Repair Protection Agreement is a risk-free purchase. If you cancel for any reason during the product warranty period, we will provide a full refund. Or, a prorated refund any time after the product warranty period expires. Purchase your Repair Protection Agreement today!

**Some limitations and exclusions apply. For prices and additional information in the U.S.A. call 1-800-827-6655.**

**\*Coverage in Canada varies on some items. For full details call Sears Canada at 1-800-361-6665.**

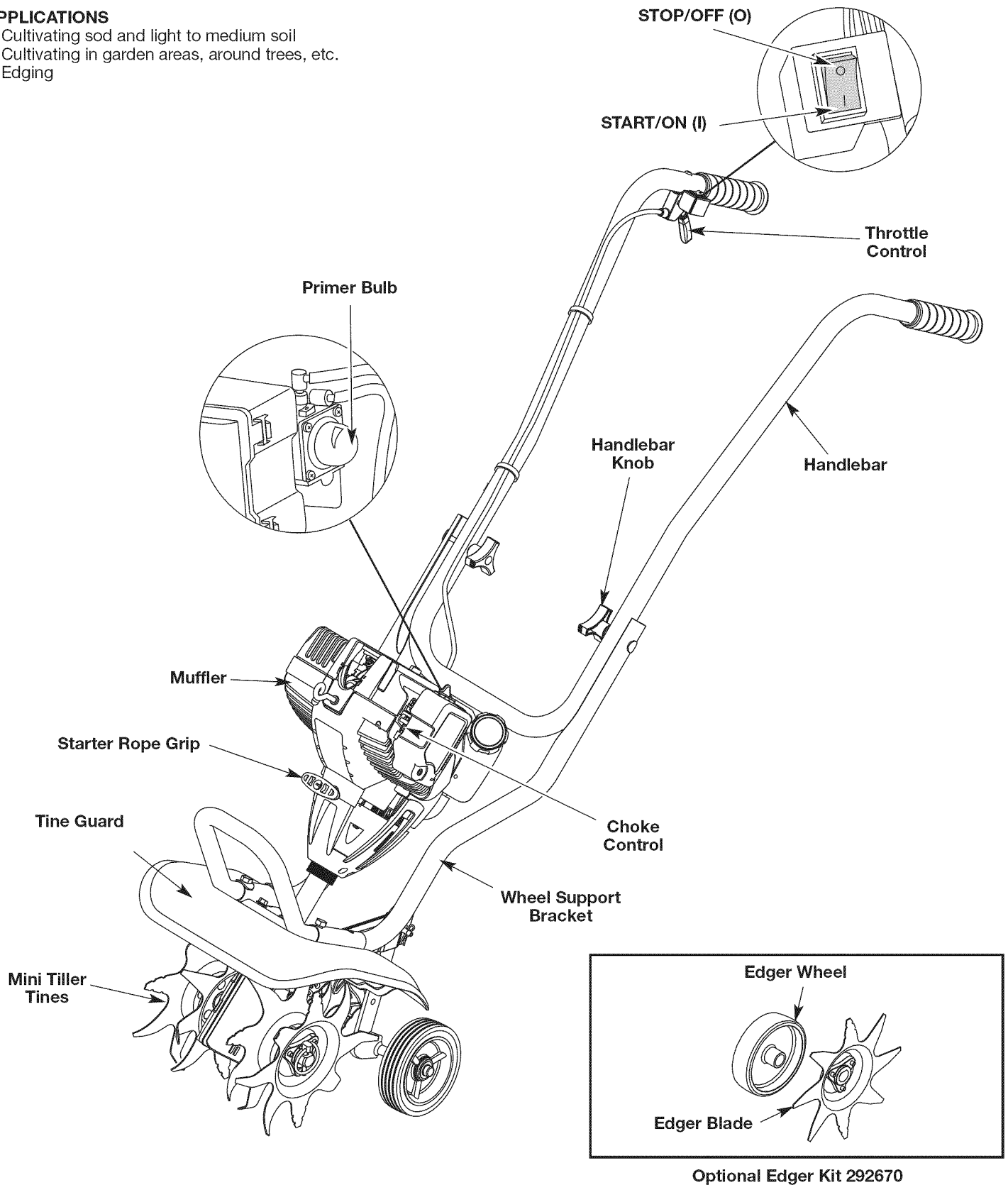
### Sears Installation Service

For Sears professional installation of home appliances, garage door openers, water heaters, and other major home items, in the U.S.A. or Canada call **1-800-4-MY-HOME®**.

## KNOW YOUR UNIT

### APPLICATIONS

- Cultivating sod and light to medium soil
- Cultivating in garden areas, around trees, etc.
- Edging



## ASSEMBLY INSTRUCTIONS

**NOTE:** Before setting up your mini tiller / edger, disconnect the spark plug wire from the spark plug.

### POSITIONING THE HANDLEBARS

1. Loosen the two knobs on the inside of the handlebars (Fig. 1).

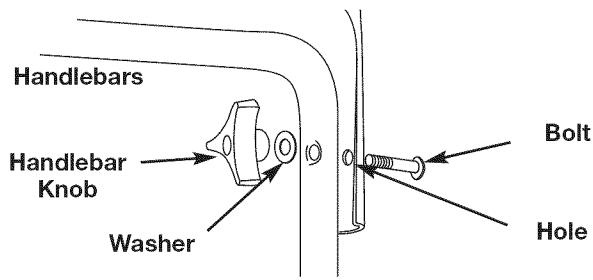


Fig. 1

2. With the unit upright, swing the handlebars up into the operating position (Fig. 2).

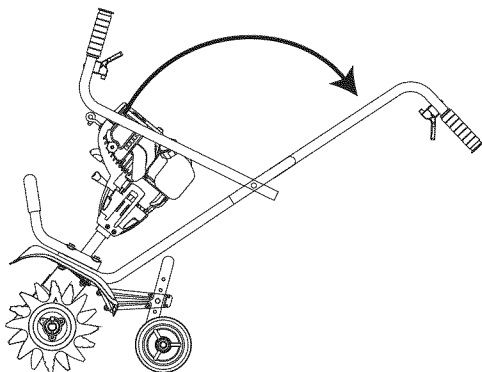


Fig. 2

**NOTE:** Take care not to pinch the throttle cable or switch wires when positioning the handlebar.

3. Tighten the knobs to secure the handlebars in place.

**NOTE:** Do not over-tighten the knobs.

4. Reconnect the spark plug wire to the spark plug.

### ADJUSTING TINE DEPTH

To adjust the wheel support bracket proceed as follows:

1. Stop engine and disconnect spark plug to avoid accidental starting.
2. Remove cotter pin from the clevis pin and slide clevis pin out of tailpiece bracket (Fig. 3).

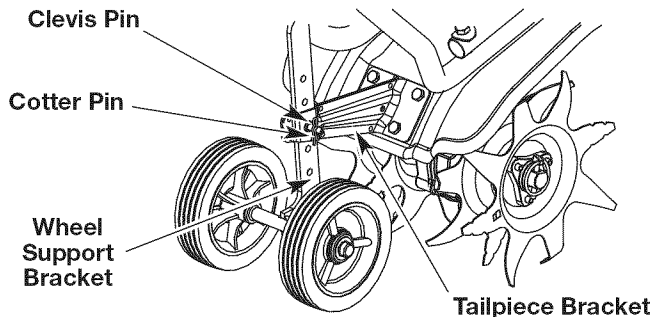


Fig. 3

3. Slide the wheel support bracket up or down in the tailpiece, aligning the holes to the desired height.
4. Place the clevis pin through the hole and secure with cotter pin.

### ATTACHING THE OPTIONAL EDGER WHEEL AND BLADE

To convert the mini tiller to an edger, proceed as follows:

1. Push the On/Off switch to Off (O) position to stop engine and tines and disconnect spark plug to avoid accidental starting.

**NOTE:** It may be necessary to lay the mini tiller / edger back in a horizontal position on a flat level surface with the upper handle touching the ground.

2. Remove the click pin from each end of the tine shaft and slide the tines off the shaft.
3. Slide the edger wheel, with the hub facing inward, onto the right side of the tine shaft and secure with the click pin in the inside hole (Fig. 4).

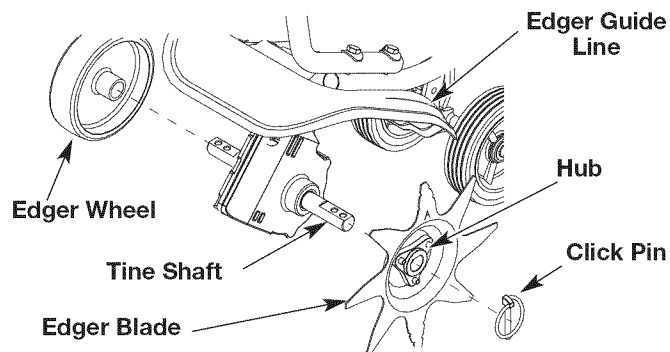


Fig. 4

4. Slide the edger blade with the hub facing out onto the left side of tine shaft and secure with the click pin in the inside hole (Fig. 4).
5. The edger guide line indicates where cutting will occur. Guide the unit along a flowerbed, sidewalk, or driveway so the edger guide line is above the desired line of cut.

## OIL AND GAS INFORMATION



**CAUTION:** OVERFILLING OIL CRANKCASE MAY CAUSE PRODUCT DAMAGE. Check and maintain the proper oil level in the crank case; it is important and cannot be overemphasized. Check the oil before each use and change it as needed. See *Changing the Oil*.

### RECOMMENDED OIL TYPE

Using the proper type and weight of oil in the crankcase is extremely important. Check the oil before each use and change the oil regularly. Using incorrect or dirty oil can cause premature engine wear and failure.

Use a high-quality SAE 30 weight oil of API (American Petroleum Institute) service class SF, SG, SH.

### ADDING OIL TO CRANKCASE: INITIAL USE

**NOTE:** This unit is shipped without oil in the crankcase. In order to avoid damage to the unit, put oil in the crankcase before attempting to start unit.

Your unit is supplied with one 3.04 fluid oz. (90 ml) bottle of SAE 30 SF, SG, SH oil (Fig. 5).

**NOTE:** Save the bottle to measure the correct amount for future oil changes. See *Changing the Oil*.

**NOTE:** Your new 4-Cycle mini tiller is shipped for operation in conditions above 40°F (4°C). For cold weather operation, where temperatures fall below 40°F (4°C), use a high-quality SAE 10W30 weight oil of API (American Petroleum Institute) service class SF, SG, SH.

1. Unscrew the oil bottle top and remove the paper seal covering the opening. Replace the top and cut the tip off the funnel spout (Fig. 5).
2. Place the unit on a flat level surface with the mini tiller in a horizontal position (Fig. 6).

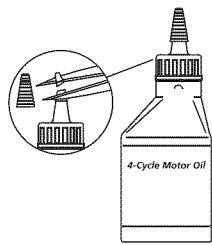


Fig. 5

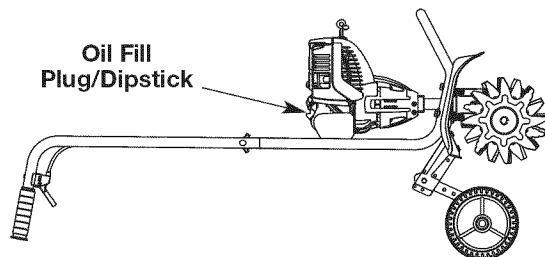


Fig. 6

3. Remove the oil plug / dipstick from the crankcase (Fig. 7).

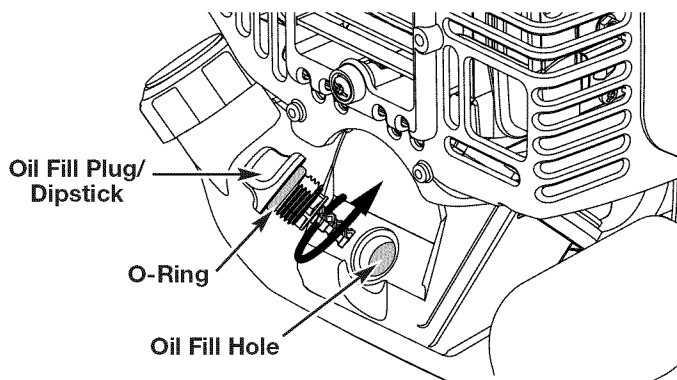


Fig. 7

4. Pour the entire bottle of oil into the oil fill hole (Fig. 8).

**NOTE:** Never add oil to the gas or gas tank.

5. Wipe up any oil that may have spilled and reinstall the oil fill plug / dipstick.

The importance of checking and maintaining the proper oil level in the crankcase cannot be overemphasized. Check oil before each use and change as specified in the Maintenance Schedule.

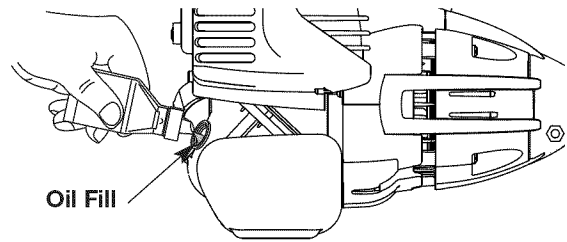


Fig. 8

### RECOMMENDED GASOLINE TYPE

Old gas is the primary reason for improper unit performance. Be sure to use fresh, clean, unleaded gasoline.

**NOTE:** This is a four cycle engine. In order to avoid damage to the unit, **do not mix oil with gasoline.**

### Definition of Blended Fuels

Today's fuels are often a blend of gasoline and oxygenates such as ethanol, methanol or MTBE (ether). Alcohol-blended fuel absorbs water. As little as 1% water in the fuel can make fuel form acids when stored. When using alcohol-blended fuel, use fresh fuel that is less than 60 days old.

### Using Blended Fuels

If you choose to use a blended fuel, or if its use is unavoidable, follow recommended precautions:

- Always use fresh unleaded gasoline
- Use Sta-Bil® or an equivalent
- Drain tank and run the engine dry before storing unit

### Using Fuel Additives

The use of fuel additives, such as Sta-Bil® or an equivalent, will inhibit corrosion and minimize the formation of gum deposits. Using a fuel additive can keep fuel from forming harmful deposits in the carburetor for up to six (6) months. Add 0.8 oz. (23 ml.) of fuel additive per gallon of fuel to an approved gas container according to the instructions on the container. NEVER add fuel additives directly to the unit's gas tank.

### FUELING THE UNIT



**WARNING:** Add fuel in a clean, well ventilated outdoor area. Wipe up any spilled gas immediately. Avoid creating a source of ignition for spilt fuel. Do not start the engine until fuel vapors dissipate.

1. Remove fuel cap. Remove the tag from the fuel tank neck.



**WARNING:** Remove gas cap slowly to avoid injury from fuel spray. Never operate the unit without the fuel cap securely in place.

**NOTE:** Fill or add gas to the tank only when the mini tiller is in a horizontal position (Fig. 9).

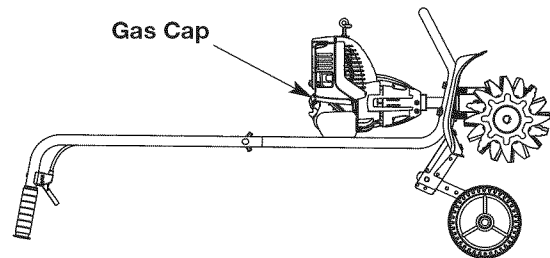


Fig. 9

2. Place spout of gas container into the fill hole on the gas tank and fill tank.

**NOTE:** Do not overfill tank.

3. Wipe up any gasoline that may have spilled.
4. Reinstall the gas cap.
5. Move the unit at least 30 ft. (9.1 m) from the fueling source and site before starting the engine.

**NOTE:** Dispose of the old gasoline in accordance to Federal, State and Local regulations.

## STARTING / STOPPING INSTRUCTIONS



**WARNING:** Operate this unit only in a well-ventilated outdoor area. Carbon monoxide exhaust fumes can be lethal in a confined area.



**WARNING:** Avoid accidental starting. Make sure you are in the starting position when pulling the starter rope (Fig. 12). To avoid serious injury, the operator and unit must be in a stable position while starting.

### STARTING INSTRUCTIONS

1. Check the oil level in the crankcase. Refer to *Checking the Oil Level*.
2. Fill the fuel tank with fresh, clean unleaded gasoline. Refer to *Fueling the Unit*.
3. Put the On/Off Stop Control in the **ON (I)** position (Fig. 10).
4. Place the choke lever in Position 1 (Fig. 11).
5. Fully press and release the primer bulb 10 times, slowly. Some amount of **fuel should be visible in the primer bulb** and fuel lines (Fig. 11). If you can't see fuel in the bulb, press and release the bulb as many times as it takes before you can see fuel in it.
6. Hold the throttle and handlebar with one hand and grab the starter rope with your other hand. Use your foot to hold down the mini tiller (Fig. 12).

**NOTE:** Tilt the unit back slightly to bring the tines off the ground when starting.

7. While squeezing the throttle control, pull the starter rope with a **smooth and steady pull**. Repeat this 5 times.
8. Move the choke lever to Position 2.
9. While squeezing the throttle control, pull the starter rope in the same manner as explained in Step 7. Pull 1 to 4 times to start the engine.
10. Keep the throttle squeezed and allow the engine to warm up for 30 to 60 seconds.
11. Place the choke lever in Position 3. Release the throttle control to the idle position and begin operation.

**IF...** The engine does not start, repeat Steps 4–11.

**IF...** The engine fails to start after a few attempts, place the choke lever in Position 3 and squeeze the throttle control. Pull the starter rope 3 to 8 times. The engine should start. If not, continue pulling starter rope until the engine starts.

**IF WARM...** If the engine is already warm, make sure the On/Off Stop control is in the ON position and start the unit with the choke lever in Position 2. After the unit starts, move the choke lever to Position 3.

### STOPPING INSTRUCTIONS

1. Release your hand from the throttle control. Allow the engine to cool down by idling.
2. Put the On/Off Stop Control in the **OFF (O)** position (Fig. 10).

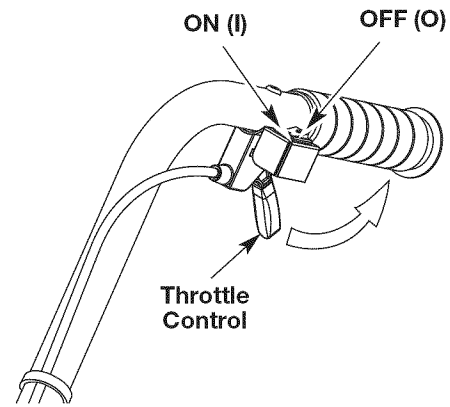


Fig. 10

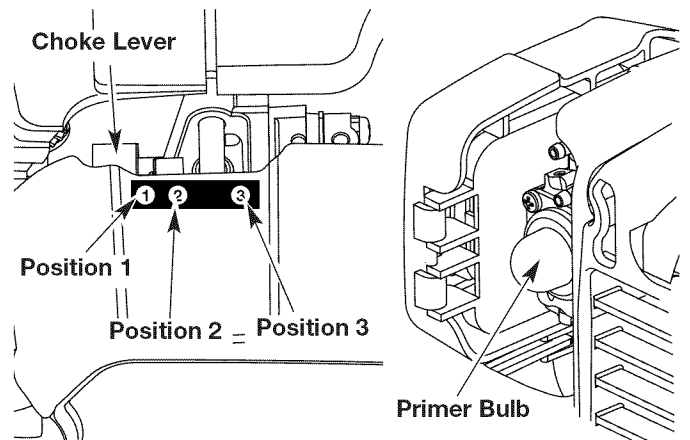


Fig. 11

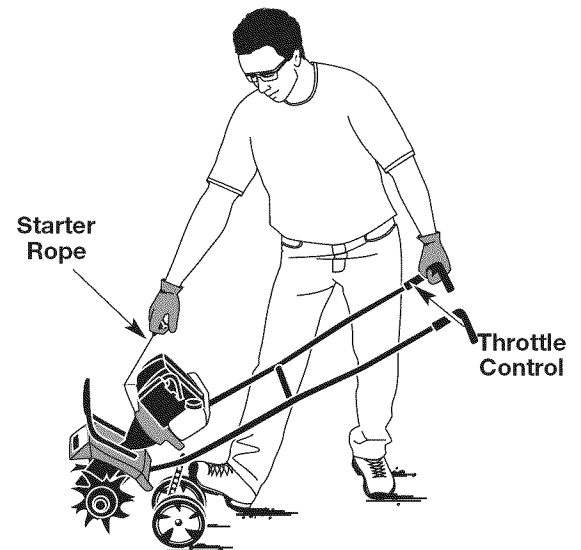


Fig. 12

## OPERATING INSTRUCTIONS

### OPERATING TIPS



**WARNING:** Dress properly to reduce the risk of injury when operating this unit. Do not wear loose clothing or jewelry. Wear eye and ear/hearing protection. Wear heavy long pants, boots and gloves. Do not wear short pants, sandals or operate barefoot.

1. Move the mini tiller to the work area prior to starting the engine. Transport the mini tiller by pushing or pulling it along on its wheels.



**WARNING:** To prevent serious personal injury, never pick-up or carry the unit while the engine is running.

2. Start the unit by following the *Starting Instructions*.
3. With the engine running and the tines off the ground, depress the throttle control to increase the engine speed.
4. While holding the upper handle with both hands, slowly lower the mini tiller until the tines make contact with the ground (Fig. 13).



Fig. 13

5. As cultivating action begins, tilt the mini tiller up slightly using the handle so that the tines can penetrate the ground.
6. Once the ground has been broken, continue at a moderate pace until you are familiar with the controls and the handling of the mini tiller.
7. If the tines are digging too deep or not deep enough, adjust the wheel bracket as described in *Adjusting Tine Depth*.



**WARNING:** To prevent serious personal injury, use extreme caution when reversing or pulling the unit towards you.

### TRANSPORTING THE UNIT



**WARNING:** To prevent serious personal injury, always stop the engine when operation is delayed or when transporting the unit from one location to another.

1. Stop the engine.
2. Tilt the unit back until the tines clear the ground.
3. Push or pull the unit to the next location to be cultivated.

## MAINTENANCE AND REPAIR INSTRUCTIONS

### MAINTENANCE SCHEDULE



**WARNING:** To prevent serious injury, never perform maintenance or repairs with unit running. Always service and repair a cool unit. Disconnect the spark plug wire to ensure that the unit cannot start.

Perform these required maintenance procedures at the frequency stated in the table. These procedures should also be a part of any seasonal tune-up.

**NOTE:** Some maintenance procedures may require special tools or skills. If you are unsure about these procedures, take your unit to a qualified service dealer.

**NOTE:** Maintenance, replacement, or repair of the emission control devices and system may be performed by a qualified service dealer.

FREQUENCY	MAINTENANCE REQUIRED	SEE
Before using	Fill fuel tank with fresh fuel Check oil while the engine is cold	p 7 p 10
Every 10 hrs	Clean and re-oil air filter	p 10
1st service at 10 hrs	Change oil	p 10
Every 25 hrs thereafter	Change oil Clean spark arrestor	p 10 p 13
Every 25 hrs	Check spark plug condition and gap	p 13

### TINE REMOVAL AND REPLACEMENT



**WARNING:** To prevent serious personal injury, always wear heavy gloves when handling the tines.

All 4 tines should be replaced at the same time because they will wear evenly through normal use. Work on one side at a time.

1. Put the On/Off Stop Control in the STOP (O) position and disconnect the spark plug wire.

**NOTE:** It may be necessary to lay the mini tiller back in a horizontal position on a flat level surface with the upper handle touching the ground.

2. Remove the click pin from each end of the tine shaft. Slide the tines off of the shaft (Fig. 14).

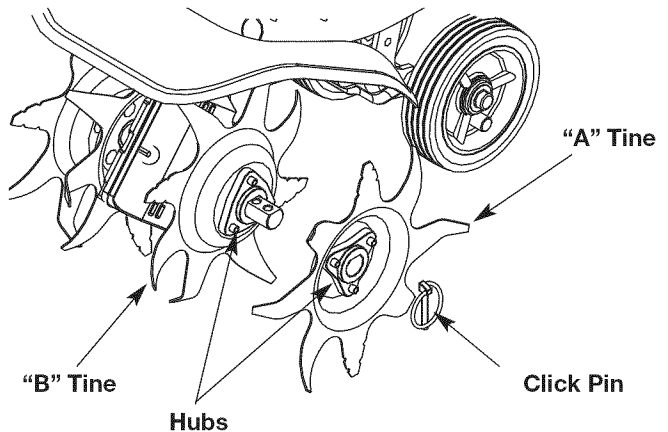


Fig. 14

3. Clean and oil the shaft.
4. Slide on the new tines with the hubs facing out. The four tines are marked with the letters "A" or "B."
5. Place one "A" tine and one "B" tine onto the shaft.
6. Secure the new tines to the shaft with click pins. It may be necessary to wash the dirt off the tines and shaft for ease of removal.

## CHECKING THE OIL LEVEL



**CAUTION:** To prevent extensive engine wear and damage to the unit, always maintain the proper oil level in the crankcase. Never operate the unit with the oil level below the bottom of the dipstick.

The importance of checking and maintaining the proper oil level in the crankcase cannot be overemphasized. Check oil before each use:

1. Stop the engine and allow oil to drain into the crankcase.
2. Place the unit in a horizontal position to get a proper oil level reading (Fig. 9).
3. Keep dirt, grass clippings and other debris out of the engine. Clean the area around the oil fill plug/dipstick before removing it.
4. Remove the oil fill plug/dipstick and wipe off oil. Reinsert it all the way back in.
5. Remove the oil fill plug/dipstick and check the oil level. Oil should be up to the top of the dipstick (Fig. 15).

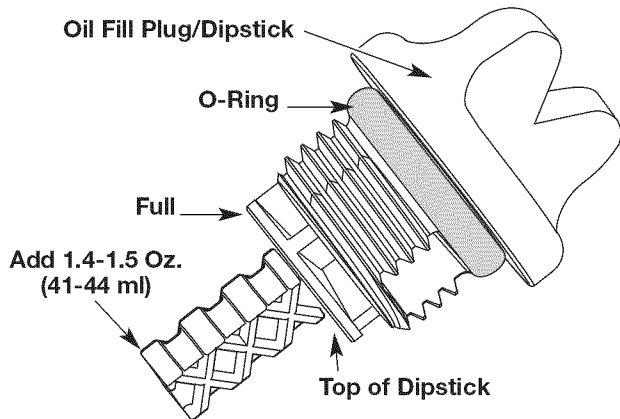


Fig. 15

6. If the level is low, add a small amount of oil to the oil fill hole and recheck (Fig. 16). Repeat this procedure until the oil level reaches the top of the dipstick.

**NOTE:** Do not overfill the unit.

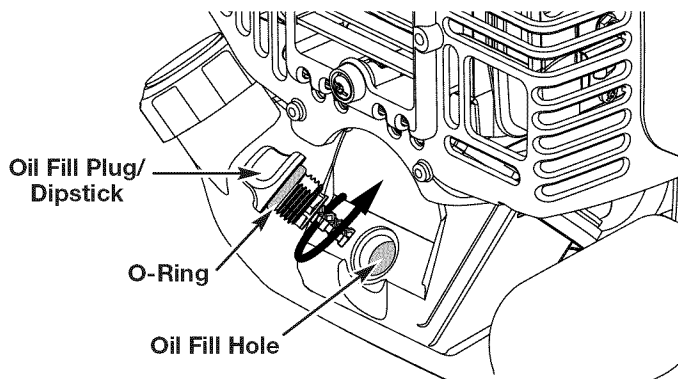


Fig. 16

**NOTE:** Make sure the O-ring is in place on the oil fill plug/dipstick when checking and changing the oil (Fig. 16).

## CHANGING THE OIL



**WARNING:** Wear gloves to prevent injury when handling the unit.

For a new engine, change the oil after the first 10 hours of operation. Change the oil while the engine is still warm. The oil will flow freely and carry away more impurities.

1. Unplug spark plug wire to prevent accidental starting.
2. Remove the oil fill plug/dipstick.
3. Pour the oil out of the oil fill hole and into a container by tipping the unit to a vertical position (Fig. 17). Allow ample time for complete drainage.

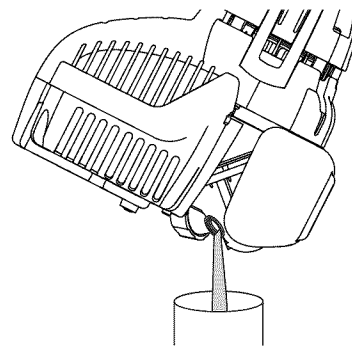


Fig. 17

4. Wipe up any oil residue on the unit and clean up any oil that may have spilled. Dispose of the oil according to Federal, State and local regulations.
5. Refill the crankcase with 3.04 fluid ounce (90 ml) of SAE 30 SF, SG, SH oil.

**NOTE:** Use the bottle and spout saved from initial use to measure the correct amount of oil. Pour fresh fuel into the bottle and fill it to the top of the label (Fig. 18). The top of the label on the bottle measures approximately 3.04 ounces (90 ml). Check the level with the dipstick. If the level is low, add a small amount of oil and recheck. Do not overfill (Fig. 18).

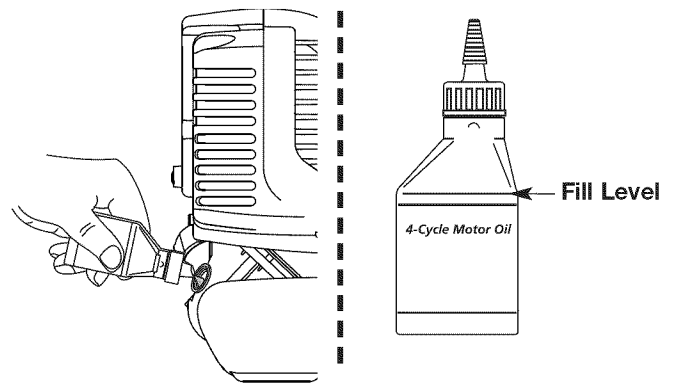


Fig. 18

6. Replace the oil fill plug/dipstick.
7. Reconnect the spark plug wire.

**AIR FILTER MAINTENANCE**

**WARNING:** To avoid serious personal injury, always turn the unit off and allow it to cool before you clean or service it.

**Cleaning the Air Filter**

Clean and re-oil the air filter every 10 hours of operation. It is an important item to maintain. Failure to maintain your air filter properly can result in poor performance or can cause permanent damage to your engine.

1. Open the air filter cover. Push the tab on the left side of the cover in, swing the air filter cover out and off the air filter housing (Fig. 19).
2. Remove the air filter and the screen that sits behind it (Fig. 19).

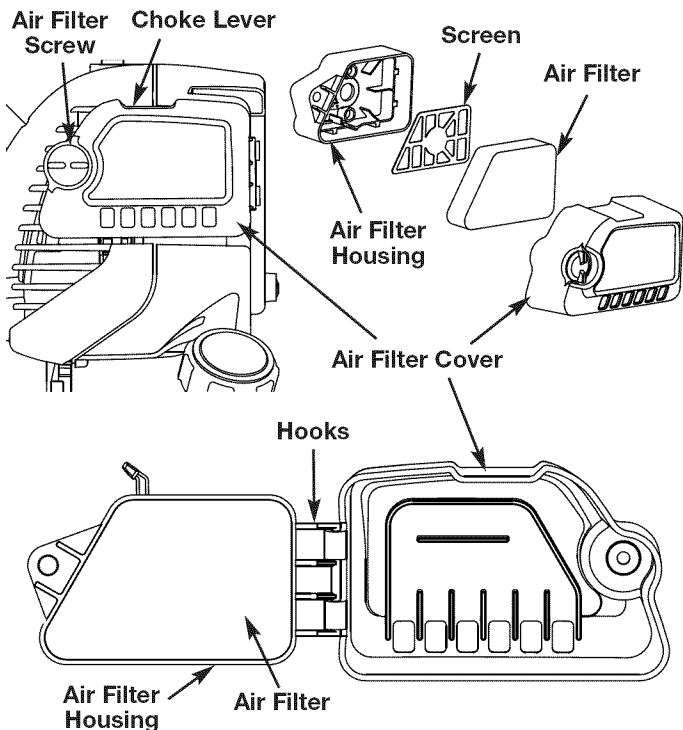


Fig. 19

3. Wash the filter in detergent and water (Fig. 20). Rinse the filter thoroughly and allow it to dry.

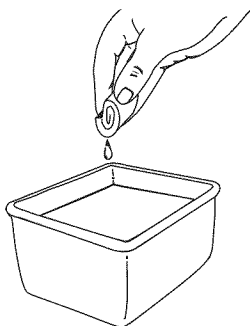


Fig. 20

4. Apply enough clean SAE 30 motor oil to lightly coat the filter (Fig. 21).
5. Squeeze the filter to spread and remove excess oil (Fig. 21).
6. Replace the filter (Fig. 19).

**NOTE:** If the unit is operated without the air filter, you will **VOID** the warranty.

7. Reinstall the air filter cover. Position the hooks on the right side of the air filter cover into the slots at the right side of the air filter housing (Fig. 19).
8. Swing the cover to the left until the air filter screw contacts the air filter housing (Fig. 19).
9. Twist the air filter screw clockwise into the screw hole until it stops. **DO NOT OVERTIGHTEN.**

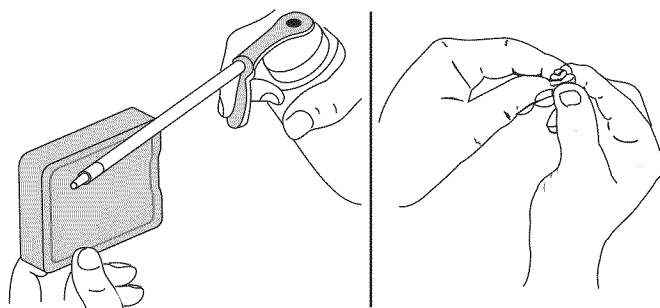


Fig. 21

**CARBURETOR ADJUSTMENT**

The idle speed of the engine is adjustable. An idle adjustment screw is reached through a hole in the top of the engine cover (Fig. 22).

**NOTE:** Careless adjustments can seriously damage your unit. For carburetor adjustments, take your unit to a qualified service dealer.

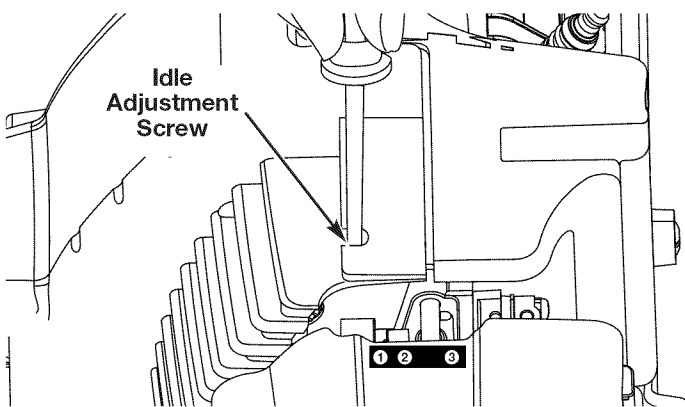


Fig. 22

**Check Fuel**

Old fuel is usually the reason for improper unit performance. Drain and refill the tank with fresh fuel prior to making any adjustments. Refer to *Oil and Fuel Information*.

**Clean Air Filter**

The condition of the air filter is important to the operation of the unit. A dirty air filter will restrict air flow. This is often mistaken for an out of adjustment carburetor. Check the condition of the air filter before adjusting the idle speed screw. Refer to *Air Filter Maintenance*.

**Adjust Idle Speed Screw**

**WARNING:** This unit needs to run during idle speed adjustment. Wear protective clothing and observe all safety instructions to prevent serious personal injury.

If, after checking the fuel and cleaning the air filter, the engine still will not idle, adjust the idle speed screw as follows:

1. Start the engine and let it run at a high idle for a minute to warm up. Refer to Starting/Stopping Instructions.

**NOTE:** Ensure the tines are not in contact with the ground when adjusting the idle.

2. Release the throttle trigger and let the engine idle. If the engine stops, insert a small phillips or flat blade screwdriver into the hole in the air filter/muffler cover (Fig. 21). Turn the idle speed screw in, **clockwise**, 1/8 of a turn at a time (as needed) until the engine idles smoothly.

**NOTE:** The tines should not rotate when the engine idles.

3. If the tines rotate when the engine idles, turn the idle speed screw **counterclockwise** 1/8 of a turn at a time (as needed), to reduce idle speed.

Checking the fuel, cleaning the air filter, and adjusting the idle speed should solve most engine problems. If not and all of the following are true:

- the engine will not idle
- the engine hesitates or stalls on acceleration
- there is a loss of engine power

Have the carburetor adjusted by a qualified service dealer.

**ROCKER ARM CLEARANCE**

This requires disassembly of the engine. If you feel unsure or unqualified to perform this, take the unit to a qualified service dealer.

**NOTE:** Inspect the valve to rocker arm clearance with a feeler gauge after the first 10 hours of operation and then every 25 hours of operation thereafter.

- The engine must be cold when checking or adjusting the valve clearance.
  - This task should be performed inside, in a clean, dust free area.
1. Remove the five (5) screws with a Flat-head or T-20 Torx screwdriver (Fig. 23).

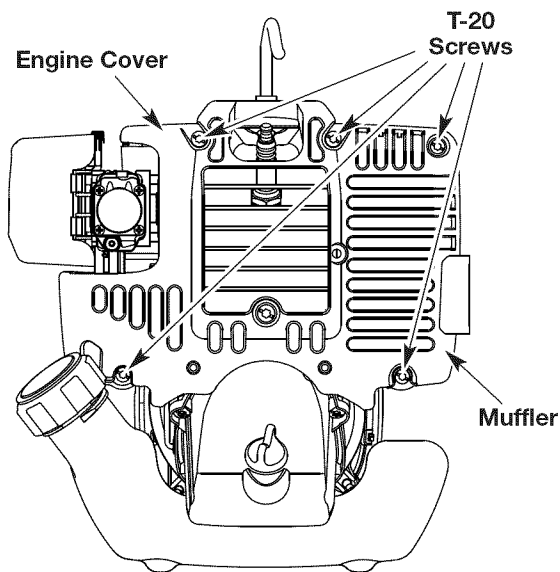


Fig. 23

2. Remove the screw behind the engine cover with a Flat-head or T-25 Torx screwdriver (Fig. 24).

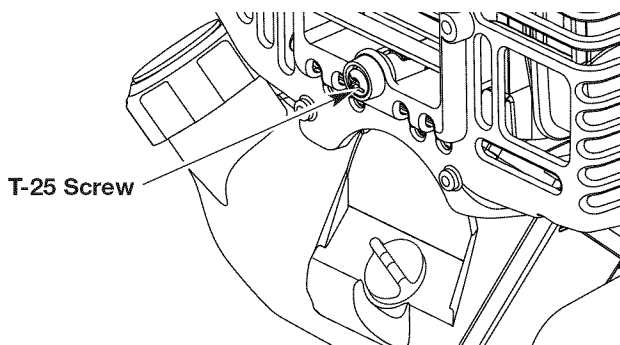


Fig. 24

3. Disconnect the spark plug wire.
4. Clean dirt from around the spark plug. Remove the spark plug from the cylinder head by turning it counterclockwise with a 5/8" socket.
5. Remove the engine cover.

**NOTE:** To ease engine cover removal, pull the starter rope out a little to give some slack.

6. Clean dirt from around the rocker arm cover. Remove the screw holding the rocker arm cover with a large flat blade screwdriver or Torx T-25 bit (Fig. 25). Remove the rocker arm cover and gasket.
7. Pull the starter rope slowly to bring the piston to the top of its travel, (known as top dead center). Check that:
  - The piston is at the top of its travel while looking in the spark plug hole (Fig. 25).
  - Both rocker arms move freely, and both valves are closed
 If these statements are not true, repeat this step.

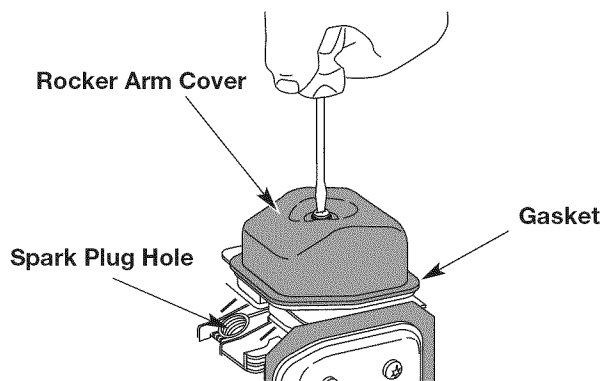


Fig. 25

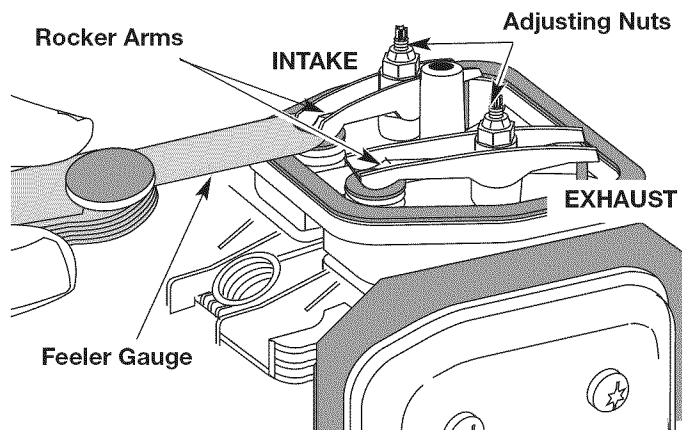


Fig. 26

8. Slide the feeler gauge between the rocker arm and the valve return spring. Measure the clearance between the valve stem and rocker arm. Measure both the intake and exhaust valves (Fig. 26 & 27).

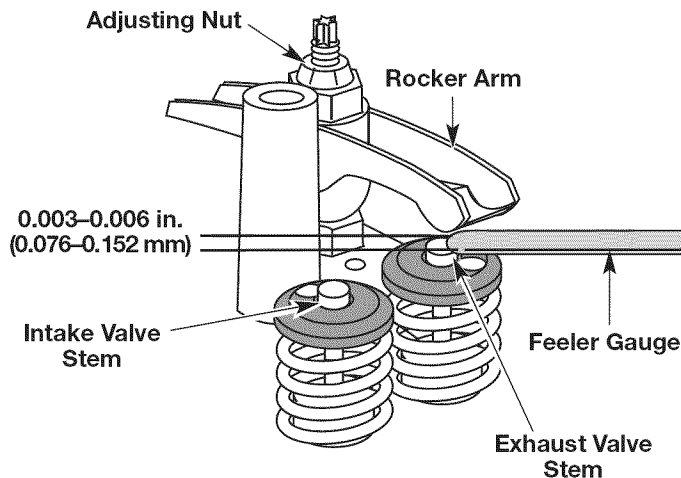


Fig. 27

The recommended clearance for both intake and exhaust is 0.003 – 0.006 in. (0.076 – 0.152 mm). Use a standard automotive 0.005 in. (0.127 mm) feeler gauge. The feeler gauge should slide between the rocker arm and valve stem with a slight amount of resistance, without binding. See Figure 26 and 27.

9. If the clearance is not within specification:
  - a. Turn the adjusting nut using a 5/16 inch (8 mm) wrench or nut driver (Fig. 27).
    - To increase clearance, turn the adjusting nut counterclockwise.
    - To decrease clearance, turn the adjusting nut clockwise.
  - b. Recheck both clearances, and adjust as necessary.

## MAINTENANCE AND REPAIR INSTRUCTIONS

10. Reinstall the rocker arm cover using a new gasket. Torque the screw to 20–30 in•lb (2.2–3.4 N•m).
11. Reinstall the engine cover. Check alignment of the cover before tightening the screws. Tighten screws.
12. Check the spark plug and reinstall. See Replacing the Spark Plug.
13. Replace the spark plug wire.

### REPLACING THE SPARK PLUG



**WARNING:** Do not sand blast, scrape or clean electrodes. Grit in the engine could damage the cylinder.

Use a replacement part #753-05784 or Champion ref. #RDZ4H. The correct spark gap is **0.025 in. (0.635 mm)**. Remove the plug after every 25 hours of operation and check its condition.

1. Stop the engine and allow it to cool. Grasp the plug wire firmly and pull the cap from the spark plug.
2. Clean dirt from around the spark plug. Remove the spark plug from the cylinder head by turning it counterclockwise with a 5/8" socket.
3. Replace cracked, fouled or dirty spark plug. Set the air gap at 0.025 in. (0.635 mm) using a feeler gauge (Fig. 28).
4. Install a correctly-gapped spark plug in the cylinder head. Turn the 5/8 in. socket clockwise until snug.

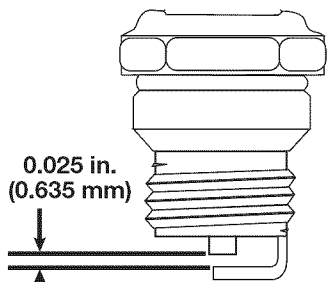


Fig. 28

If using a torque wrench torque to:

**110-120 in.•lb. (12.3-13.5 N•m)**

**Do not over tighten.**

### SPARK ARRESTOR MAINTENANCE

1. Remove the muffler cover. See *Rocker Arm Clearance*.
2. With a flat blade screwdriver or Torx T-20 bit, remove the screw attaching the spark arrestor cover to the muffler (Fig. 29).

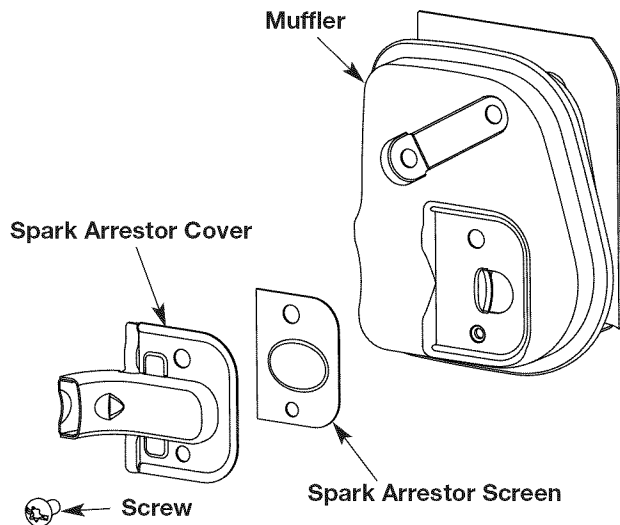


Fig. 29

3. Remove the spark arrestor cover.
4. Remove the spark arrestor screen from the spark arrestor cover.
5. Clean the spark arrestor screen with a wire brush or replace it.
6. Reinstall the spark arrestor screen, spark arrestor cover and screw.

### CLEANING THE UNIT



**WARNING:** To avoid serious personal injury, always turn the unit off and allow it to cool before you clean or perform any maintenance on it.

- Use a small brush to clean off the outside of the unit and to keep the air vents free of obstructions.
- Do not use strong detergents or petroleum based cleaners, such as kerosene. Some household cleaners contain aromatic oils such as pine and lemon that can damage the plastic housings or handles. Wipe off any moisture with a soft cloth.

### STORAGE

- Never store the unit with fuel in the tank where fumes may reach an open flame or spark.
- Allow the engine to cool before storing.
- Store the unit in a locked up area to prevent unauthorized use or damage.
- Store the unit in a dry, well-ventilated area. Do not store next to corrosive material like fertilizer.
- Store the unit out of the reach of children.

### LONG-TERM STORAGE

If the unit will be stored for an extended time:

1. Carefully drain all gasoline from the fuel tank by removing the fuel cap and tipping the motor housing over to allow the fuel to drain into an approved gas container. Do not use gas that has been stored for more than 60 days. Dispose of the old gasoline in accordance with Federal, State and Local regulations.
2. Start the engine and allow it to run until it stalls. This ensures that all gasoline has been drained from the carburetor.
3. Allow the engine to cool. Remove the spark plug and put 5 drops of high quality motor oil into the cylinder. Pull the starter rope slowly to distribute the oil. Reinstall the spark plug.

**NOTE:** Remove the spark plug and drain all of the oil from the cylinder before attempting to start the unit after storage.

4. Change the oil, referring to the *Changing the Oil* section. Dispose of the old oil in accordance with Federal, State and Local regulations.
5. Thoroughly clean the unit and inspect for any loose or damaged parts. Repair or replace damaged parts and tighten loose screws, nuts or bolts.
6. To take up less storage area, loosen the handlebar knobs and fold the handlebar down. The unit is ready for storage.

### TRANSPORTING

- Allow the engine to cool before transporting.
- Secure the unit while transporting.
- Drain the fuel tank before transporting.
- Tighten fuel cap before transporting.

## TROUBLESHOOTING

### ENGINE WILL NOT START

CAUSE	ACTION
On/Off control in the STOP position	Turn On/Off control to ON
Empty fuel tank	Fill fuel tank with fuel
Primer bulb wasn't pressed enough	Press primer bulb fully and slowly 10 times
Old gas	Drain gas tank and add fresh fuel
Fouled spark plug	Replace or clean the spark plug
Plugged spark arrestor	Clean or replace spark arrestor
Engine is flooded	Pull starter rope repeatedly with throttle control fully engaged and with the choke lever in Position 3

### ENGINE WILL NOT IDLE

CAUSE	ACTION
Air filter is plugged	Replace or clean the air filter
Old gas	Drain gas tank and add fresh fuel
Improper carburetor adjustment	Adjust according to the <i>Carburetor Adjustments</i> section or take to a Sears or other qualified service dealer for an adjustment

### ENGINE WILL NOT ACCELERATE

CAUSE	ACTION
Old gas	Drain gas tank and add fresh fuel
Dirty air filter	Clean or replace the air filter
Plugged spark arrestor	Clean or replace spark arrestor
Mini tiller tines bound with dirt or grass	Stop the unit, switch the On/Off Stop Control to STOP, clean and remove any debris binding the tines

### ENGINE LACKS POWER OR STALLS WHEN CUTTING

CAUSE	ACTION
Old gas	Drain gas tank and add fresh fuel
Fouled spark plug	Replace or clean the spark plug
Plugged spark arrestor	Clean or replace spark arrestor
Low power	Rocker arm clearance adjustment (see page 12)
Mini tiller tines bound with dirt or grass	Stop the unit, switch the On/Off Stop Control to STOP, clean and remove any debris binding the tines

### SIGNS OF OIL AROUND OIL FILL PLUG / DIPSTICK

CAUSE	ACTION
Oil fill plug/dipstick loose or missing o-ring	Tighten oil fill plug/dipstick, replace o-ring

### UNIT OCCASIONALLY HESITATES AT HIGH SPEEDS

CAUSE	ACTION
Spark plug gap is too small/close	Adjust gap to 0.025"

**If further assistance is required, contact your Sears or other qualified service dealer.**

## SPECIFICATIONS

### ENGINE\*

Engine Type	Air-Cooled, 4-Cycle
Displacement	1.6 cu. in. (26.2 cc)
Idle Speed RPM	3,000-3,600 rpm
Operating RPM	7,200-8,800 rpm
Clutch Type	Centrifugal
Ignition Type	Electronic
On/Off Stop Control	Positive On/Off Switch
Valve clearance (intake and exhaust)	0.003–0.006 in. (0.076–0.0152 mm)
Spark Plug Gap	0.025 inch (0.635 mm)
Lubrication	SAE 30 Oil
Crankcase Oil Capacity	3.04 oz (90 ml)
Fuel	Unleaded
Carburetor	Diaphragm, All-Position
Starter	Auto Rewind
Muffler	Baffled with Guard
Throttle	Spring Return
Fuel Tank Capacity	18 oz (532 ml)

### MINI TILLER\*

Cultivating Path Width (Maximum)	9 inches (22.86 cm)
Cultivating Depth (Maximum)	6 inches (15.24 cm)
Approximate Weight (no fuel)	25 lb. (11.5 kg)

\* All specifications are based on the latest product information available at the time of printing. We reserve the right to make changes at any time without notice.



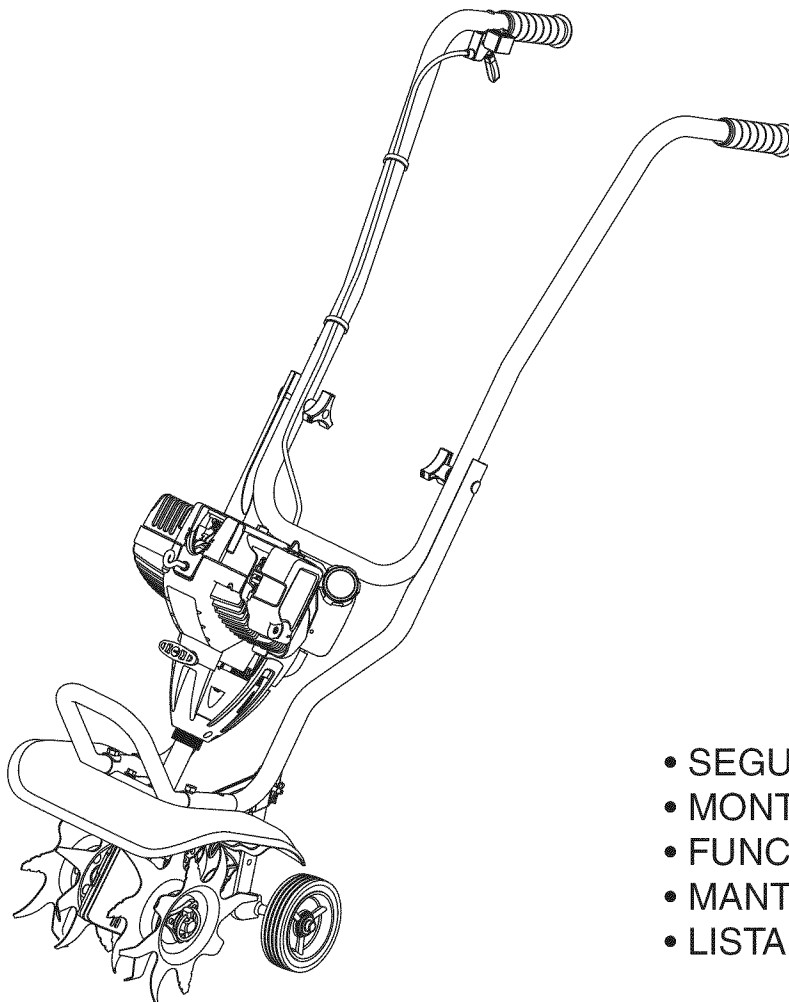
# Manual del Operador



## CULTIVADORA

para Jardines de 4 Ciclos

Model No. 316.292630



- SEGURIDAD
- MONTAJE
- FUNCIONAMIENTO
- MANTENIMIENTO
- LISTADO DE PIEZAS

**PRECAUCIÓN:** Antes de utilizar este producto, lea este manual y siga todas las reglas de seguridad y las instrucciones de funcionamiento.

Sears, Roebuck and Co., Hoffman Estates, IL 60179, U.S.A.  
Visit our website: [www.sears.com/craftsman](http://www.sears.com/craftsman)

769-04601 P00

# NORMAS PARA UNA OPERACIÓN SEGURA

## INDICE DE CONTENIDOS

Llamadas a apoyo al cliente	.E1
Normas para una operación segura	.E2
Garantía	.E4
Conozca su unidad	.E5
Instrucciones de ensamble	.E6
Información del aceite y del gasolina	.E7
Instrucciones de arranque y apagado	.E8
Instrucciones de operación	.E9
Instrucciones de mantenimiento y reparación	.E9
Limpieza y almacenamiento	.E13
Cuadro de solución de problemas	.E14
Especificaciones	.E15
Lista de piezas	.E17
Información de servicio	.E20

## PARACHISPAS

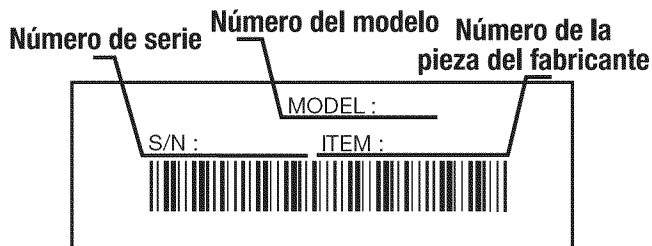
**NOTA: Para los usuarios en tierras forestales de los EE.UU. y en los estados de California, Maine, Oregon y Washington.** Todos los terrenos forestales de los EE.UU. y el estado de California (Códigos de Recursos Públicos 4442 y 4443), Oregon y Washington, requieren por decreto, que ciertos motores de combustión interna que se hagan funcionar en zonas boscosas y/o zonas cubiertas por pastizales, estén equipados con un parachispas, que sean mantenidos en buen estado de funcionamiento o que el motor sea construido, esté equipado y sea mantenido para evitar incendios. Consulte los reglamentos pertinentes a esos requisitos con las autoridades estatales o locales. El incumplimiento de esos requisitos puede responsabilizarle o someterle a la imposición de una multa. **Esta unidad fue equipada en la fábrica con un parachispas.** Si requiere sustitución, hay una **Pantalla Parachispas disponible, Pieza # 753-05297** al contactar el departamento de servicio.

### PROPOSICIÓN 65 DE CALIFORNIA

## ADVERTENCIA

**LAS EMISIONES DEL MOTOR DE ESTE PRODUCTO CONTIENEN SUBSTANCIAS QUIMICAS QUE EL ESTADO DE CALIFORNIA CONOCE COMO CAUSANTES DE CANCER, DEFECTOS DE NACIMIENTO U OTROS DAÑOS REPRODUCTIVOS.**

Antes de que empiece a ensamblar su nuevo equipo, por favor ubique la placa que contiene el modelo de la unidad y escriba esa información en el espacio en blanco aquí debajo. Aquí debajo se explica la muestra de una placa del modelo.



Copie el número del modelo/ pieza del fabricante aquí:

Copie el número de serie aquí:

### • IMPORTANTE INFORMACION DE SEGURIDAD •

#### LEA TODAS LAS INSTRUCCIONES ANTES DE OPERAR LA UNIDAD

**ADVERTENCIA:** Se debe seguir las siguientes reglas de seguridad cuando use la unidad. Por favor lea estas instrucciones para su propia seguridad y las de los espectadores, antes de hacer funcionar la unidad. Por favor mantenga estas instrucciones en un lugar seguro para uso futuro.

- Lea las instrucciones cuidadosamente. Familiarícese con los controles y el uso adecuado de la unidad.
- No opere esta unidad cuando esté cansado, enfermo o bajo la influencia de alcohol, drogas o medicamentos.

Los símbolos de seguridad se utilizan para llamar su atención sobre posibles peligros. Los símbolos de seguridad y sus explicaciones merecen toda su atención y comprensión. Los símbolos de seguridad no eliminan ningún peligro por sí mismos. Las instrucciones o advertencias que ofrecen no substituyen las medidas adecuadas de prevención de accidentes.

#### SIMBOLO SIGNIFICADO

	<b>ALERTA DE SEGURIDAD :</b> Indica peligro, advertencia o precaución. Debe prestar atención para evitar sufrir graves lesiones personales. Puede ser utilizado junto con otros símbolos o figuras.
	<b>PELIGRO :</b> El no obedecer una advertencia de seguridad puede conducir a que usted u otras personas sufran graves lesiones. Siga siempre las precauciones de seguridad para reducir el riesgo de incendio, descarga eléctrica y lesiones personales.
	<b>ADVERTENCIA :</b> El no seguir una advertencia de seguridad puede conducir a que usted u otras personas sufran lesiones. Siga siempre las precauciones de seguridad para reducir el riesgo de incendio, descarga eléctrica y lesiones personales.
	<b>PRECAUCIÓN :</b> El no seguir una advertencia de seguridad puede conducir a daño patrimonial o a que usted u otras personas sufran lesiones personales. Siga siempre las precauciones de seguridad para reducir el riesgo de incendio, descarga eléctrica y lesiones personales.

**REMARQUE:** Le ofrece información o instrucciones que son esenciales para la operación o mantenimiento del equipo.

**Lea el manual del operador y siga todas las advertencias e instrucciones de seguridad. De no hacerlo, el operador y/o los espectadores pueden sufrir graves lesiones.**

**SI TIENE PREGUNTAS, LLAME AL  
1-800-659-5917**

## NORMAS PARA UNA OPERACIÓN SEGURA

- Esté consciente del riesgo de lesión en la cabeza, las manos y los pies.
- No permita niños, espectadores ni mascotas en el área. Los niños, los espectadores y las mascotas deben estar fuera de un radio de 50 pies (15 m.) como mínimo; de todas formas los espectadores correrán el riesgo de ser golpeados por objetos lanzados por la unidad. Se debe exhortar a los espectadores a que usen protección para los ojos. Si se le acerca alguien apague la unidad de inmediato.
- Oprima el control del estrangulador y compruebe que regresa automáticamente a la posición de marcha en vacío. Haga todos los ajustes o reparaciones antes de usar la unidad.

### AVISOS DE SEGURIDAD PARA LAS UNIDADES QUE FUNCIONAN CON GASOLINA

- Almacene el combustible solamente en recipientes diseñados y aprobados específicamente para el almacenamiento de



**ADVERTENCIA:** La gasolina es muy inflamable y sus gases pueden explotar si se encienden. Tome las siguientes precauciones:

- dichos materiales.
- Evite crear una fuente de ignición para el combustible derramado. No arranque el motor hasta que se disipen los vapores del combustible.
- Pare siempre el motor y deje que se enfríe antes de llenar el tanque de combustible. Nunca quite la tapa del tanque de combustible, ni agregue combustible, cuando el motor esté caliente. Nunca opere la unidad sin la tapa de combustible bien colocada en su lugar. Afloje la tapa del tanque de combustible lentamente para aliviar cualquier presión que haya en el tanque.
- Agregue el combustible en un área exterior bien ventilada, donde no haya chispas ni llamas. Quite lentamente la tapa de combustible sólo después de haber parado el motor. No fume mientras esté llenando de combustible o mezclándolo. Limpie de la unidad inmediatamente cualquier combustible derramado. Seque siempre la unidad antes de usarla.
- Mueva siempre la unidad a 30 pies (9.1 m) como mínimo de la fuente y sitio de combustible antes de arrancar el motor. No fume ni permita chispas ni llamas expuestas cerca del área mientras esté agregando combustible u operando la unidad.

### CUANDO ESTÉ OPERANDO

- Nunca arranque ni opere la unidad dentro de un cuarto o edificio cerrado. Respirar los vapores del escape puede ser fatal. Opere esta unidad solamente en un área exterior bien ventilada.
- Use gafas protectoras que cumplan con la norma Z87.1-1989 de ANSI y tengan la marca que lo indica. Use protección para la oreja/audición cuando opere esta unidad. Use máscara facial o para polvo si la operación produce mucho polvo.
- Use pantalones largos fuertes, botas, guantes y camisa de mangas largas. No use ropa holgada, joyas, pantalones cortos, sandalias, ni esté descalzo. Asegúrese el cabello por encima del nivel de los hombros.
- Esta unidad tiene un embrague. Las púas permanece estacionario cuando la unidad está en marcha en vacío. Si no sucede así, haga que un técnico de servicio autorizado ajuste la unidad.
- Antes de arrancar la unidad asegúrese de que las púas no estén en contacto con nada.
- Use la unidad solamente de día o con buena luz artificial.
- Evite arranques accidentales. Esté en la posición de arranque cada vez que hale la cuerda de arranque. El operador y la unidad deben estar en una posición estable al arrancar.

Consulte las Instrucciones de Arranque/Parada.

- Use la herramienta correcta. Use esta herramienta solamente para el propósito para el cual fue diseñada.
- Tenga mucho cuidado cuando invierta o mueva la unidad hacia usted.
- No se estire demasiado. Mantenga siempre la base de apoyo y equilibrio adecuados. Tenga mucho cuidado cuando trabaje en pendientes marcadas o inclinadas.
- Sostenga siempre la unidad con ambas manos cuando la opere. Mantenga un agarre firme sobre ambas manijas.
- Mantenga las manos, la cara y los pies alejados de todas las partes en movimiento. No toque ni trate de parar los dientes cuando estén girando.
- No toque el motor o el silenciador. Estas piezas están muy calientes durante la operación, incluso después de que se apaga la unidad.
- No opere el motor a más velocidad de la necesaria para cultivo. No haga funcionar el motor a alta velocidad cuando no esté cultivo.
- Pare siempre el motor cuando deje de cultivo o cuando esté caminando de un lugar de cultivo hacia otro.
- Si golpea o se enreda con un objeto extraño, pare el motor inmediatamente y verifique si ha habido algún daño. No lo opere antes de reparar el daño. No opere la unidad con piezas sueltas o dañadas.
- Pare la unidad, apague el motor y desconecte la bujía para mantenimiento o reparación.
- Use solamente piezas y accesorios de reemplazo del fabricante del equipo original para esta unidad. Éstos están disponibles en su proveedor de servicio autorizado. El uso de cualquier pieza o accesorio no autorizado podría causar lesiones graves al usuario, o daños a la unidad, y anular su garantía.
- Mantenga la unidad limpia de vegetación y otros materiales. Pudieran quedar obstruidas entre las púas y el protector.
- Para reducir el peligro de incendio reemplace un silenciador y amortiguador de chispas defectuoso. Mantenga el motor y el silenciador libre de hierba, hojas, exceso de grasa o acumulación de carbón.

### DESPUÉS DE USARLA

- Limpie las púas con un limpiador casero para eliminar la acumulación de resina. Aceite las púas con aceite de máquina para evitar la corrosión.

### OTROS AVISOS DE SEGURIDAD

- Nunca almacene una unidad con combustible dentro de un edificio en el cual los vapores puedan llegar a una llama expuesta o una chispa.
- Deje que el motor se enfríe antes de almacenarlo o transportarlo. Asegúrese de fijar bien la unidad mientras la transporta.
- Almacene la unidad en un área seca y cerrada, o en un lugar alto para evitar uso no autorizado o daños. Manténgala alejada del alcance de los niños.
- Nunca rocíe ni chorree la unidad con agua ni ningún otro líquido. Mantenga las manijas secas, limpias y libres de escombros. Límpiela después de usarla, vea las instrucciones de Limpieza y Almacenamiento.
- Conserve estas instrucciones. Consúltelas con frecuencia y úselas para instruir a otros usuarios. Si le presta esta unidad a alguien, préstele también estas instrucciones.

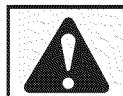
## GUARDE ESTAS INSTRUCCIONES

### • SIMBOLOS DE SEGURIDAD E INTERNACIONALES •

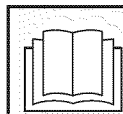
Este manual del operador describe los símbolos y figuras de seguridad e internacionales que pueden aparecer en este producto. Lea el manual del operador para obtener información completa acerca de la seguridad, ensamble, operación y mantenimiento y reparación.

#### SÍMBOLO

#### SIGNIFICADO



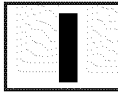
- **SÍMBOLO DE ALERTA DE SEGURIDAD**  
Indica peligro, advertencia o precaución. Puede ser utilizado junto con otros símbolos o figuras.



- **LEA EL MANUAL DEL OPERADOR**  
**ADVERTENCIA:** Lea el manual del operador y siga todas las advertencias e instrucciones de seguridad. De no hacerlo, el operador y/o los espectadores pueden sufrir graves lesiones.

#### SÍMBOLO

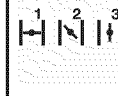
#### SIGNIFICADO



- **CONTROL DE ENCENDIDO Y APAGADO**  
ENCENDIDO /ARRANQUE /MARCHA







- **CONTROL DE ENCENDIDO Y APAGADO**  
APAGADO o PARADO



- **CONTROL DE OBTURADOR**  
1 • Posición de obturación **COMPLETA**  
2 • Posición de obturación **PARCIAL**  
3 • Posición de **MARCHA**

## NORMAS PARA UNA OPERACIÓN SEGURA

	<p>• <b>COMBUSTIBLE SIN PLOMO</b> Use siempre combustible limpio, nuevo y sin plomo.</p>
	<p>• <b>INDICADOR DE ACEITE</b> Consulte el manual del operador para obtener información acerca del tipo correcto de aceite.</p>
	<p>• <b>MANTENGA ALEJADOS A LOS ESPECTADORES</b> <b>ADVERTENCIA:</b> Mantenga a todos los espectadores, en especial a niños y animales domésticos a por lo menos 50 pies (15 m) del área de corte.</p>
	<p>• <b>LOS OBJETOS DESPEDIDOS Y LA CUCHILLA ROTATIVA PUEDEN CAUSAR GRAVES LESIONES</b> <b>ADVERTENCIA:</b> No opere esta unidad si la protección plástica de línea no está colocada en su lugar. Manténgase alejado del accesorio de corte giratorio.</p>

	<p>• <b>USE PROTECCION OCULAR Y AUDITIVA</b> <b>ADVERTENCIA:</b> Los objetos arrojados por la unidad y el ruido fuerte pueden causar graves lesiones oculares y pérdida auditiva. Utilice protección ocular que cumpla con las normas ANSI Z87.1-1989 y protección auditiva cuando opere esta unidad. Use una careta completa cuando la necesite.</p>
	<p>• <b>SUPERFICIE DE CALIENTE</b> <b>ADVERTENCIA:</b> No toque un silenciador ni un cilindro caliente. Puede quemarse. Estas partes se calientan mucho con el uso. Luego de apagarse permanecen calientes durante un corto tiempo.</p>
	<p>• <b>CULTIVADORES PARA JARDINES – Las puas giratorias pueden causar graves lesiones</b> <b>ADVERTENCIA:</b> Apague el motor y espere que las púas se detengan antes de instalar o sacar las púas, o antes de realizar la limpieza o todo tipo de mantenimiento. Mantenga las manos y los pies lejos de las púas giratorias.</p>

## GARANTÍA

### GARANTÍA LIMITADA DE DOS AÑOS DE CRAFTSMAN

Si este producto Craftsman, operado y mantenido según todas las instrucciones provistas, falla debido a un defecto en el material o en la mano de obra dentro de un período de dos años a partir de la fecha de compra, llévalo a cualquier tienda Sears, u otro establecimiento de Craftsman autorizado en Estados Unidos para que sea reparado sin costo alguno.

Para el establecimiento autorizado más cercano, llame al 1-800-4-MY-HOME®.

Esta garantía tiene vigencia solamente por 90 días a partir de la fecha de compra si este producto se usa para fines comerciales o de alquiler.

**Esta garantía abarca SOLAMENTE los defectos en el material o en la mano de obra. Sears NO pagará por:**

- Los artículos no reutilizables que se desgasten debido al uso normal, incluyendo entre otros, cuchillas, dientes o correas.
- El reemplazo o reparación de neumáticos o ruedas que resulte del desgaste normal, accidente u operación o mantenimiento no apropiados.
- Las reparaciones necesarias debido a maltrato por parte del operador, incluyendo entre otros, daños ocasionados por impactos de objetos que doblen el bastidor o el cigüeñal del motor.
- Reparaciones necesarias debido a negligencia del operador, incluyendo entre otros, daños mecánicos y eléctricos ocasionados por un almacenamiento no apropiado, o no haber dado mantenimiento al equipo de acuerdo con las instrucciones contenidas en el manual del operador.
- Las reparaciones necesarias debido a mezcla incorrecta de combustible, combustible contaminado o viejo.
- Deterioro y desgaste normal de los acabados exteriores, o reemplazo de la etiqueta del producto.

Esta garantía se aplica solamente mientras este producto esté en Estados Unidos.

Esta garantía le confiere a usted derechos legales específicos y usted puede tener otros derechos que varían de un estado a otro.

Sears, Roebuck and Co., Hoffman Estates, IL 60179

### Convenio de Protección de Reparación

Felicidades por haber realizado una compra inteligente. Su nuevo producto Craftsman® está diseñado y fabricado para ofrecerle años de funcionamiento confiable. Pero como todos los productos, es posible que sea necesario repararlo de vez en cuando. Ahí es cuando tener un Convenio de Protección de Reparación puede ahorrarle dinero y problemas.

Esto es lo que incluye el Convenio de Protección de Reparación\*:

- Servicio experto** de nuestros 10,000 especialistas profesionales en reparaciones
- Servicio ilimitado y sin costo** alguno por piezas y mano de obra en todas las reparaciones cubiertas
- Reemplazo del producto** por un valor de hasta \$1500 si el producto cubierto no se puede reparar
- Descuento del 10%** en el precio regular del servicio, así como de las piezas instaladas, que el convenio no cubra; igualmente, 10% de descuento en el precio regular de comprobación de mantenimiento preventivo
- Ayuda rápida por teléfono** – la llamamos Solución Rápida – asistencia técnica por teléfono de un representante de Sears. Piense en nosotros como si fuéramos un "manual del usuario que habla".

Una vez que adquiera el Convenio de Protección de Reparación, todo lo que necesita es hacer una simple llamada para programar el servicio de reparación. Puede llamar a cualquier hora del día o de la noche, o hacer una cita de servicio por Internet.

El Convenio de Protección de Reparación es una compra libre de riesgo. Si usted cancela por cualquier motivo durante el período de garantía del producto, proporcionaremos un reembolso completo. O, un reembolso prorrateado en cualquier momento después de que venza el período de garantía del producto. ¡Adquiera hoy mismo su Convenio de Protección de Reparación!

**Aplican algunas limitaciones y exclusiones. Para obtener precios e información adicional en los Estados Unidos, llame al 1-800-827-6655.**

**\*La cobertura en Canadá varía en algunos artículos. Para obtener todos los detalles, llame a Sears en Canadá al 1-800-361-6665.**

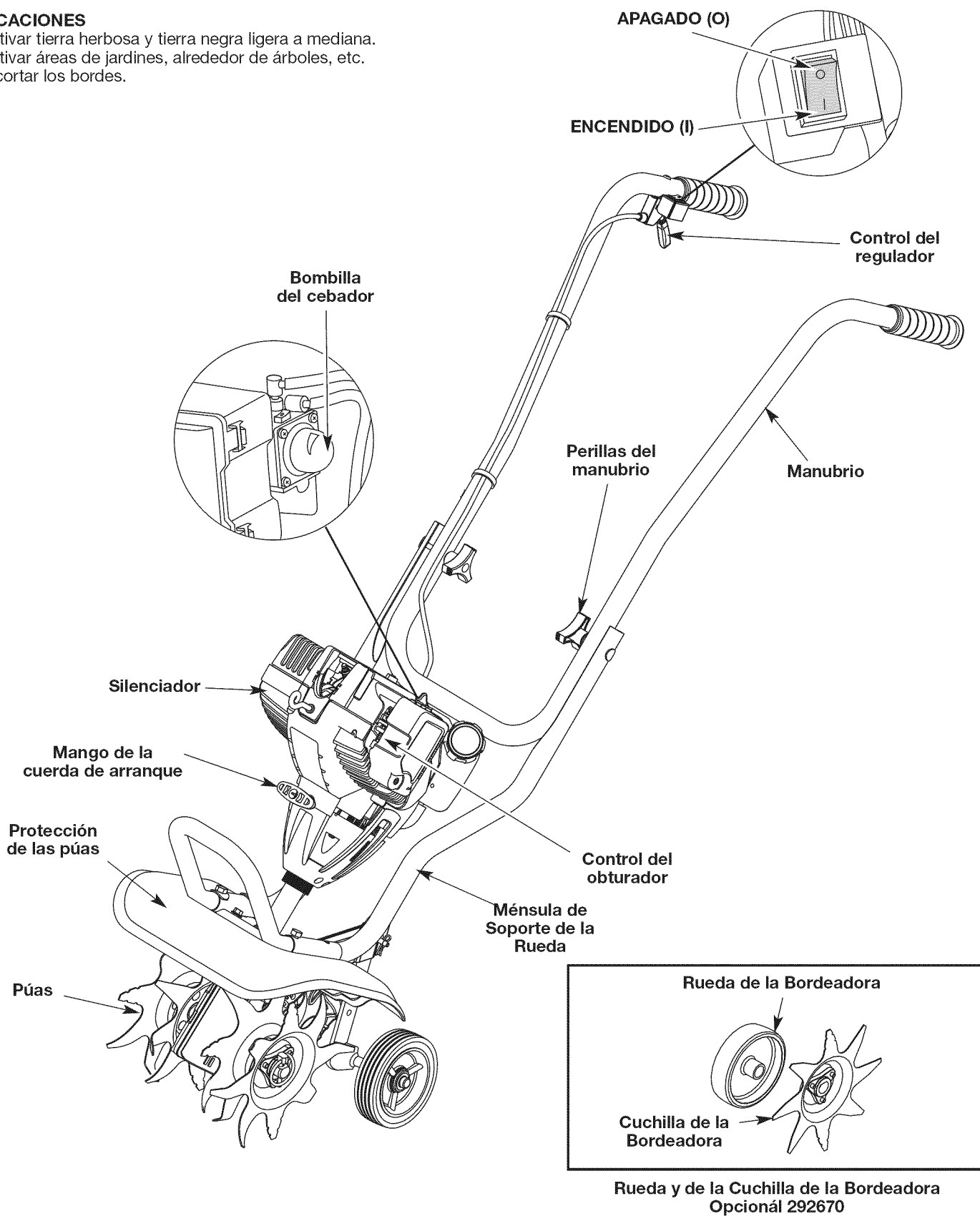
### Servicio de Instalación Sears

Para la instalación de electrodomésticos, abridores de puertas de garaje, calentadores de agua, y otros productos para el hogar por profesionales de Sears, en los Estados Unidos o Canadá, llame al **1-800-4-MY-HOME®**.

## CONOZCA SU UNIDAD

### APLICACIONES

- Cultivar tierra herbosa y tierra negra ligera a mediana.
- Cultivar áreas de jardines, alrededor de árboles, etc.
- Recortar los bordes.



## INSTRUCCIONES DE ENSAMBLE

**NOTE:** Desde la posición de funcionamiento, se observa la referencia a la derecha o a la izquierda de la cultivadora / bordeadora.

### COLOCACIÓN DEL MANUBRIO

1. Afloje las dos perillas del lado interior del manubrio (Fig. 1).

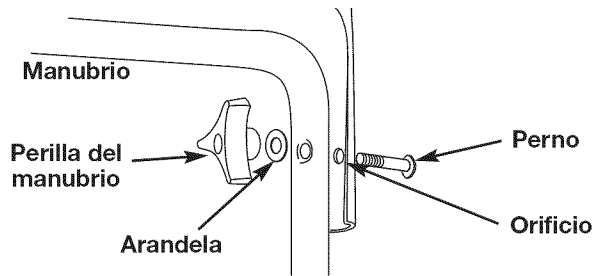


Fig. 1

2. Con la unidad en posición vertical, gire el manubrio hacia arriba hasta la posición de operación (Fig. 2).

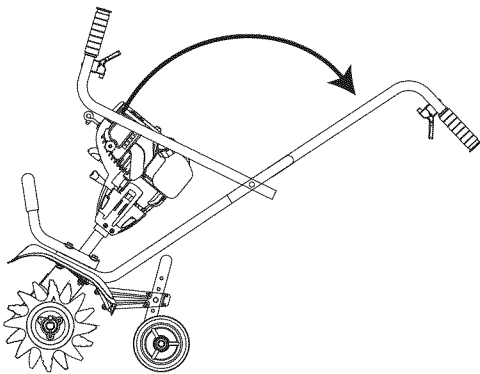


Fig. 2

**NOTA:** Tenga cuidado de no pellizcar el cable del regulador o los cables del interruptor cuando coloque el manubrio.

3. Ajuste las perillas para asegurar el manubrio en su lugar.

**NOTA:** No ajuste las perillas demasiado.

4. Vuelva a conectar la bujía de encendido.

### AJUSTE DE LA PROFUNDIDAD

Para ajustar la ménsula de soporte de la rueda proceda de la siguiente manera:

1. Detenga el motor y desconecte la bujía para evitar un arranque accidental.
2. Extraiga la chaveta de retén de la chaveta de horquilla y deslice la chaveta hasta extraerla de la ménsula de la pieza posterior (Fig. 3).
3. Deslice la ménsula de soporte de la rueda hacia arriba o hacia abajo en la pieza posterior, alineando los orificios a la altura deseada.
4. Ubique la chaveta de la horquilla a través del orificio y asegúrelo con una chaveta de retén.

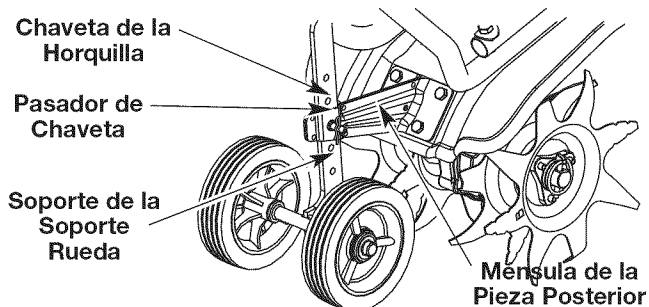


Fig. 3

### CONEXIÓN DE LA RUEDA Y DE LA CUCHILLA DE LA BORDEADORA OPCIONAL

Para convertir la cultivadora en una bordeadora, siga los siguientes pasos:

1. Presione el interruptor encendido / apagado (O) para detener el motor y los dientes y desconecte la bujía para evitar un arranque accidental.

**NOTA:** Es posible que sea necesario ubicar la cultivadora/bordeadora en posición horizontal en una superficie plana con la manija superior tocando el suelo

2. Extraiga la chaveta del trinquete de cada extremo del árbol del diente y deslice los dientes hasta extraerlos del árbol.
3. Deslice la rueda de la bordeadora, con el buje mirando hacia adentro, en el lado derecho del árbol del diente y asegúrelo con la chaveta de trinquete en el orificio interior (Fig. 4).
4. Deslice la cuchilla de la bordeadora con el buje mirando hacia el lado izquierdo del árbol del diente y asegúrelo con la chaveta de trinquete en el orificio interior (Fig. 4).
5. Deslice la cuchilla de la bordeadora a lo largo del cantero, jardín, vereda o entrada con la rueda de la bordeadora a lo largo del borde exterior.

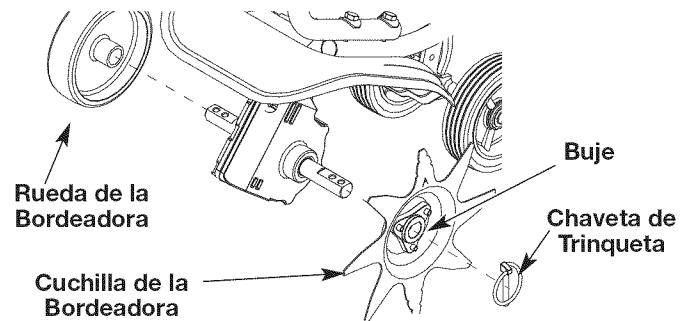


Fig. 4



**ADVERTENCIA:** EL LLENAR DEMASIADO EL CÁRTER PUEDE CAUSAR LESIONES PERSONALES GRAVES. No podemos exagerar la importancia del control y mantenimiento del nivel correcto de aceite en el cigüeñal. Verifique el aceite antes de cada uso y cámbielo cuando sea necesario según se indica en la sección de Cambio del aceite.

### TIPO DE ACEITE RECOMENDADO

El uso de un aceite del tipo y peso correctos en el cigüeñal es extremadamente importante. Verifique el aceite antes de cada uso y cambie el aceite con frecuencia. Si no usa el aceite correcto, o utiliza aceite sucio, puede causar el desgaste y falla prematuros del motor.

Use un aceite de buena calidad SAE 30 de API (American Petroleum Institute) clase de servicio SG, SF, SH.

### CARGA E ACEITE EN EL CÁRTER DEL CIGÜEÑAL: USO INICIAL

**NOTA:** Esta unidad se envía sin carga de aceite. A fin de evitar el daño de la unidad, cargue aceite en el cárter del cigüeñal antes de intentar arrancar la unidad.

Su unidad trae una botella de aceite SAE 30 SF, SG, SH de 90 ml (3,04 onzas fluidas) (Fig. 5).

**NOTA:** Guarde la botella para medir la cantidad correcta de aceite cuando deba cambiarlo en el futuro. Lea Cambio de Aceite.

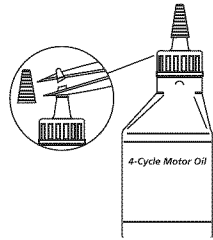


Fig. 5

1. Desenrosque la tapa de la botella de aceite y retire el sello de papel que cubre la apertura. Vuelva a colocar la tapa. Corte la punta de la boquilla del embudo (Fig. 5).
2. Coloque la unidad sobre una superficie plana (Fig. 6).

Tapón de relleno de aceite/ varilla de medición

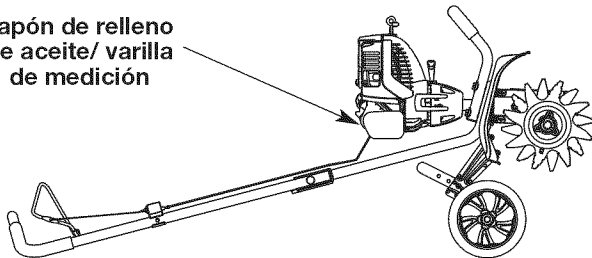


Fig. 6

3. Saque el tapón de aceite/ varilla de medición del cigüeñal (Fig. 7).

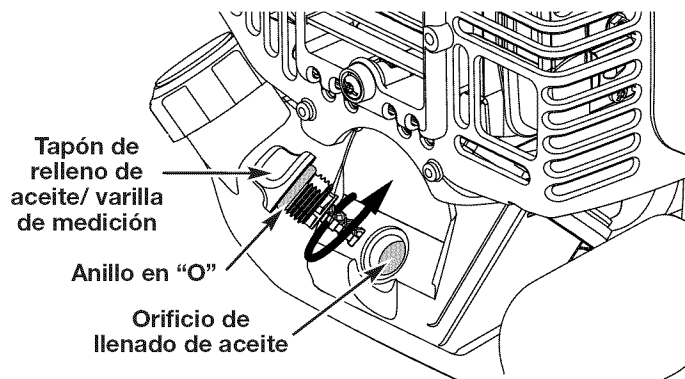


Fig. 7

4. Vierta todo el contenido de la botella de aceite en el cigüeñal (Fig. 8).

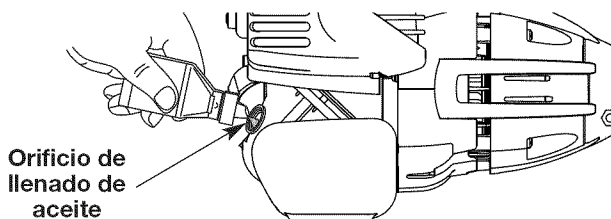


Fig. 8

**NOTA:** No agregue nunca aceite al gasolina o al tanque de gasolina.

5. Limpie todo el aceite que pueda haberse derramado y vuelva a instalar el tapón del aceite / varilla de medición. No podemos exagerar la importancia del control y mantenimiento del nivel correcto de aceite en el cigüeñal. Verifique el aceite antes de cada uso y cámbielo cuando sea necesario según se indica en la sección de Cambio del aceite.

### TIPO DE GASOLINA RECOMENDADO

La gasolina viejo es la causa principal del mal funcionamiento de la unidad. Asegúrese de usar gasolina nueva, limpio y sin plomo.

**NOTA:** Este es un motor de cuatro ciclos. Para evitar dañar su unidad, **no mezcle el aceite con la gasolina.**

### Definición de los gasolinas de mezcla

Las gasolinas actuales con frecuencia son una mezcla de gasolina y uno o más oxigenantes como el etano, el metanol o el MTBE (éter). La gasolina con mezcla de alcohol absorbe agua. Un porcentaje de agua tan pequeño como el 1% en la gasolina puede hacer que la gasolina y el aceite se separen. Se forman ácidos mientras está guardado.

Cuando use gasolina con mezcla de alcohol, use gasolina nueva (almacenado durante menos de 60 días).

### Uso de los gasolinas de mezcla

Si decide usar un gasolina de mezcla o si su uso es inevitable, le recomendamos que tome las siguientes precauciones:

- Use siempre una mezcla fresca de gasolina según lo indica su manual del operador
- Use Sta-Bil® o su equivalente
- Drene el tanque y haga funcionar el motor en seco antes de guardar la unidad

### Uso de aditivos en la gasolina

El uso de aditivos en la gasolina, como Sta-Bil® o similar, inhibirá la corrosión y reducirá la formación de depósitos de goma. El uso de aditivos puede evitar que se formen depósitos dañinos en el carburador por hasta ocho (8) meses. Agregue 23 ml (0,8 de onza) de aditivo por galón de gasolina de acuerdo a las instrucciones del envase. No agregue NUNCA los aditivos directamente al tanque de gasolina de la unidad.

### CARGA DE COMBUSTIBLE EN LA UNIDAD



**ADVERTENCIA:** Saque la tapa del gasolina lentamente para evitar lesionarse con el rociado de la gasolina. No opere nunca la unidad sin la tapa de la gasolina firmemente colocada en su lugar.

1. Saque la tapa de la gasolina.



**ADVERTENCIA:** Cargue el gasolina en un área exterior limpia y bien ventilada. Limpie de inmediato todo gasolina que se haya derramado. Evite crear una fuente de encendido con la gasolina derramado. No arranque el motor hasta que se hayan evaporado los gases de la gasolina.

**NOTA:** Llene o añada gasolina al tanque únicamente cuando el cultivador esté en posición horizontal (Fig. 9).

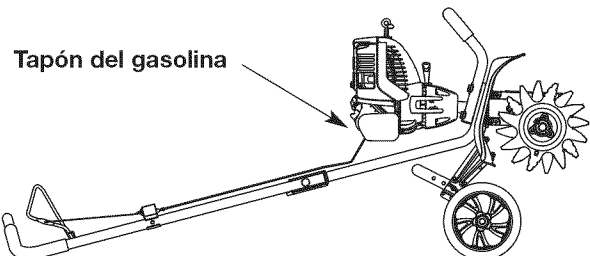


Fig. 9

2. Coloque el pico del recipiente de gasolina en el orificio de llenado del tanque de gasolina y llene el tanque.

**NOTA:** No llene el tanque demasiado.

3. Limpie toda la gasolina que pueda haberse derramado
4. Vuelva a instalar la tapa de la gasolina.
5. Mueva la unidad por lo menos 9,1 m (30 pies) de la fuente y sitio de carga antes de arrancar el motor.

**NOTA:** Elimine la gasolina vieja de acuerdo a los reglamentos federales, estatales y locales.

## INSTRUCCIONES DE ARRANQUE Y APAGADO



**ADVERTENCIA:** Use esta unidad sólo en un área exterior bien ventilada. Los gases de escape de monóxido de carbono pueden ser letales en un área cerrada.



**ADVERTENCIA:** Evite los arranques accidentales. Colóquese en posición de inicio cuando tire de la cuerda de arranque (Fig. 12). El operador y la unidad deben estar en una posición estable al arrancar la unidad para evitar graves lesiones personales.

### INSTRUCCIONES DE ARRANQUE

1. Verifique el nivel de aceite en el cárter del cigüeñal. Lea *Inspección del Nivel de Aceite*.
2. Llene el tanque de combustible con gasolina nueva, limpia y sin plomo.
3. Coloque el Control de Encendido/Apagado (On/Off) en la posición de **ENCENDIDO (ON) [I]** (Fig. 10).
4. Coloque la palanca del obturador en Posición 1.
5. Oprima completamente el cebador y suéltelo 10 veces. Hágalo lentamente. Se deberá ver un poco de **combustible en el cebador** y en las tuberías de alimentación de combustible (Fig. 11). Si no puede ver el combustible en el cebador, oprímalo y suéltelo tantas veces como sea necesario hasta que vea combustible en el mismo.
6. Sostenga el regulador y la agarradera con una mano y agarre el cordón de arranque con la otra mano. Use el pie para aguantar el cultivador (Fig. 12).

**NOTA:** Incline la unidad ligeramente hacia atrás para levantar las púas del suelo al arrancar.

7. Mientras oprime el control del regulador, tome el mango de la cuerda de arranque y hale el cordón de arranque con un **movimiento controlado y uniforme** hasta 5 veces.
8. Coloque la palanca del obturador en Posición 2.
9. Mientras oprime el control del regulador, tire de la cuerda de arranque de 1 a 4 veces hasta que el motor arranque. Déjelo funcionar de 30 a 60 segundos.
10. Coloque la palanca del obturador en Posición 3. Suelte el control del regulador a la posición de mínima y comience la operación.

**SI...** El motor no arranca, regrese al pasos 4–11.

**SI...** El motor no arranca después de varios intentos, coloque la palanca del obturador en la Posición 3 y oprima el control del regulador. Hale la cuerda del arranque con fuerza de 3 a 8 veces. El motor deberá arrancar. Si no sucede así, repita el procedimiento.

**SI SE CALIENTA...** El motor ya está caliente, cerciórese de que el control de Encendido/ Apagado esté en la posición de Encendido [ON] y arranque la unidad con la palanca del obturador en la Posición 2. Después de que la unidad arranque, mueva la palanca del obturador a la Posición 3.

### INSTRUCCIONES DE APAGADO

1. Saque la mano del control del regulador. Deje enfriar el motor en mínima.
2. Coloque el control de Encendido/Apagado en posición de **APAGADO (O)** (Fig. 10).

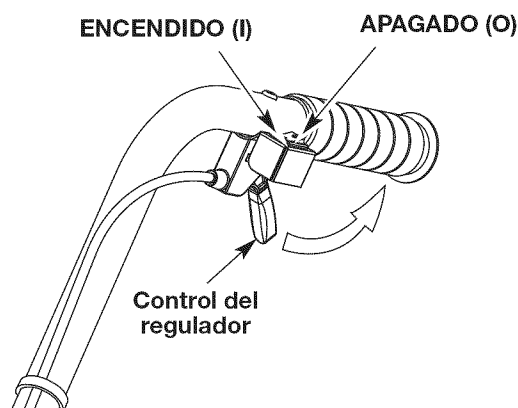


Fig. 10

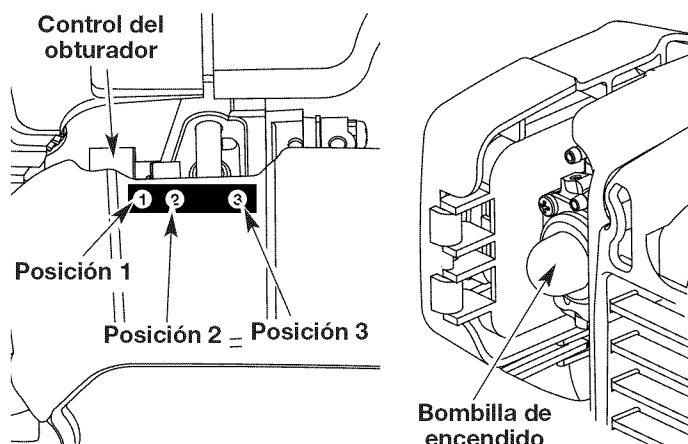


Fig. 11

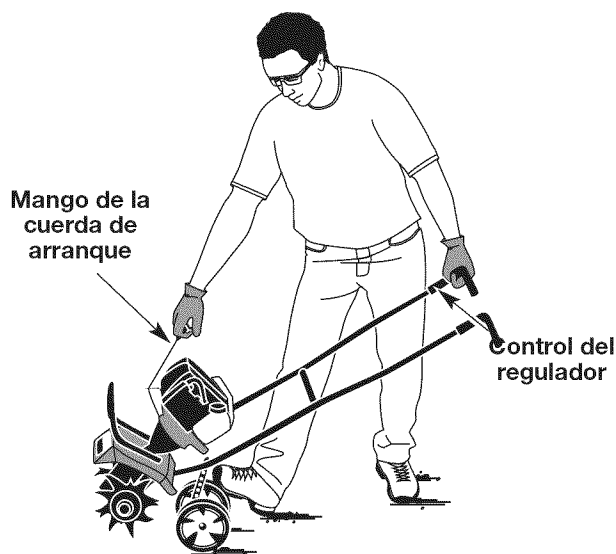


Fig. 12

## INSTRUCCIONES DE OPERACIÓN

### CONSEJOS PARA LA OPERACIÓN



**ADVERTENCIA:** Vista en forma adecuada para reducir el riesgo de lesiones cuando opere esta unidad. No use ropa holgada ni alhajas. Use protección ocular y auditiva. Use pantalones largos y gruesos, botas y guantes. No use pantalones cortos, sandalias ni trabaje descalzo.

1. Mueva el cultivador al área de trabajo antes de arrancar el motor. Puede transportar el cultivador empujándolo sobre las ruedas o llevándolo del tubo central de la manija.



**ADVERTENCIA:** Para evitar graves lesiones personales, nunca levante ni transporte la unidad con el motor en marcha.

2. Arranque la unidad siguiendo las instrucciones de arranque.
3. Con el motor en marcha y las púas sin tocar el suelo, oprima el control del regulador para aumentar la velocidad del motor.
4. Mientras que sostiene la manija superior con ambas manos, baje lentamente el cultivador hasta que las púas hacen contacto con el suelo (Fig. 13).
5. A medida que comienza el cultivo, incline el cultivador ligeramente usando los manubrios de modo que las púas puedan penetrar en la tierra.
6. Una vez que se ha abierto la tierra, continúe a un ritmo moderado hasta que conozca bien los controles y el manejo del cultivador.
7. Si las púas están cavando con una profundidad excesiva o insuficiente, ajuste el soporte de la rueda de acuerdo a la sección de *Ajuste de la Profundidad de las Púas*.



**ADVERTENCIA:** Para evitar graves lesiones personales, tenga mucho cuidado cuando invierta o gire la unidad hacia usted.



Fig. 13

### Transporte de la Unidad



**ADVERTENCIA:** Para evitar graves lesiones personales, apague siempre el motor cuando demore la operación o mientras transporta la unidad entre áreas de trabajo.

1. Apague el motor.
2. Incline la unidad hacia atrás hasta que las púas desmalezan la tierra.
3. Empuje o lleve la unidad hasta el próximo lugar que deba cultivar.

## INSTRUCCIONES DE MANTENIMIENTO Y REPARACIÓN

### PROGRAMA DE MANTENIMIENTO



**ADVERTENCIA:** Para evitar lesiones personales graves, nunca realice mantenimiento ni reparaciones con la unidad funcionando. Realice siempre el mantenimiento y las reparaciones con la unidad fría. Desconecte el cable de la bujía de encendido para cerciorarse de que la unidad no arrancará.

Estos procedimientos requeridos para el mantenimiento deben ser realizados con la frecuencia indicada en la tabla. Deben ser incluidos como parte de toda puesta a punto de cada temporada.

**NOTA:** Algunos procedimientos de mantenimiento pueden requerir el uso de herramientas o habilidades especiales. Si no está seguro acerca de estos procedimientos, lleve su unidad a un establecimiento de reparación, persona o distribuidor de servicio autorizado que arregle motores para uso fuera de la carretera.

**NOTA:** El mantenimiento, la sustitución o arreglo de dispositivos para el control de emisiones y sistemas pueden ser hechos por cualquier establecimiento de reparación, persona o proveedor de servicio autorizado que arregle motores para uso fuera de la carretera.

FRECUENCIA	MANTENIMIENTO REQUERIDO	VEA
Antes de arrancar el motor	Llene el tanque de combustible con combustible nuevo Inspeccione el aceite	F7 F10
Cada 10 horas	Limpie y vuelva a aceitar el filtro de aire	F10
Primer cambio a las 10 horas	Cambie el aceite	F10
Cada 25 horas	Cambie el aceite Limpie el amortiguador de chispas	F10 F13
Cada 25 horas	Verifique la condición y separación de la bujía de encendido	F13

### REMOCIÓN Y REPOSICIÓN DE LAS PUAS

Las 4 púas deben cambiarse al mismo tiempo debido a que se desgastarán en forma pareja con el uso normal. Trabaje en un lado por vez.



**ADVERTENCIA:** Para evitar graves lesiones personales, use siempre guantes gruesos cuando maneje las púas.

1. Coloque el control de encendido y apagado en la posición de APAGADO (O) y desconecte el cable de la bujía de encendido.
- NOTA:** Puede ser necesario colocar la cultivadora en posición horizontal sobre una superficie plana con la manija superior tocando el suelo
2. Saque las presillas del pasador de la horquilla y los pasadores de la horquilla (Fig. 14).

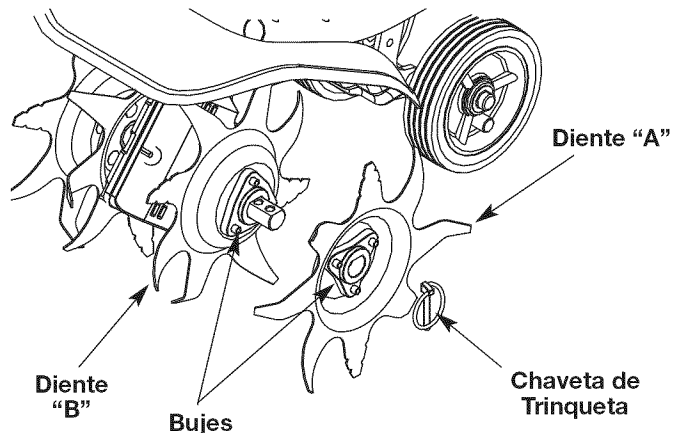


Fig. 14

3. Limpie y aceite el eje.
4. Deslice los nuevos dientes con el buje mirando hacia afuera. Los cuatro dientes están marcados con letras A y B.

5. Ubique un diente A y un diente B en el árbol del diente (Fig. 13).
6. Asegure los nuevos dientes al árbol con chavetas de trinquete.

## INSPECCIÓN DEL NIVEL DE ACEITE



**PRECAUCIÓN:** Para evitar un desgaste excesivo del motor y el daño de la unidad, mantenga siempre el nivel de aceite correcto en el cárter del cigüeñal. No opere nunca la unidad con el aceite debajo del extremo inferior de la varilla de medición.

No podemos exagerar la importancia de verificar y mantener el nivel correcto de aceite en el cárter del cigüeñal. Inspeccione el nivel de aceite antes de cada uso:

1. Apague el motor y permita que el aceite drene dentro del cárter del cigüeñal.
2. Coloque la unidad en posición horizontal y nivelada para obtener una lectura correcta del nivel de aceite (Fig. 9).
3. Mantenga la suciedad, recortes de césped, etc. fuera del motor. Limpie el área alrededor del tapón de relleno de aceite / varilla de medición antes de retirarlo.
4. Retire el tapón de relleno de aceite / varilla de medición y seque el aceite. Vuelva a insertarlo completamente hacia adentro.
5. Retire el tapón de relleno de aceite / varilla de medición e inspeccione el nivel del aceite. El aceite debe llegar hasta la parte superior de la varilla de medición (Fig. 15).

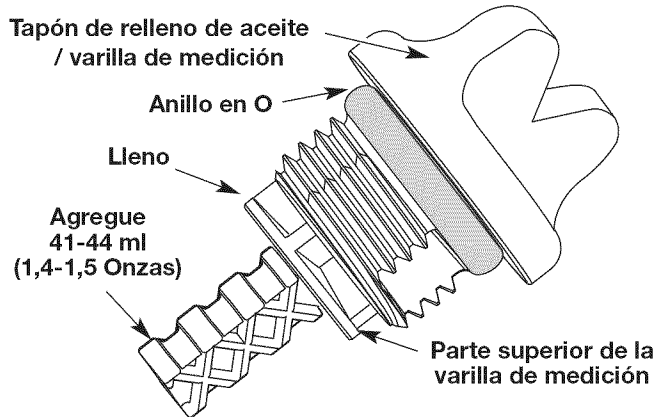


Fig. 15

6. Si el nivel está bajo, agregue una pequeña cantidad de aceite en el orificio de llenado de aceite y vuelva a medir (Fig. 16). Repita hasta que el nivel de aceite llegue hasta la parte superior de la varilla de medición.

**NOTA:** No llene demasiado la unidad.

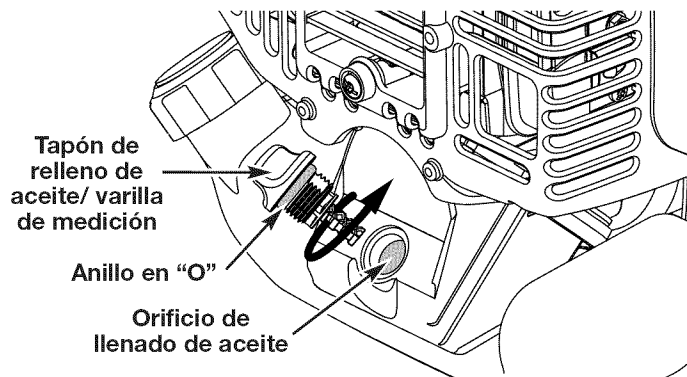


Fig. 16

**NOTA:** Verifique que el anillo en O esté en su lugar en el tapón de relleno de aceite / varilla de medición cuando mida y cambie el aceite (Fig. 16).

## CAMBIO DEL ACEITE

En un motor nuevo, cambie el aceite después de las 10 primeras horas de operación. Cambie el aceite mientras el motor aún está caliente. El aceite fluirá con libertad y llevará más impurezas.

1. Desenchufe el manguito de la bujía de encendido para



**PRECAUCIÓN:** Use guantes para evitar sufrir lesiones cuando maneje la unidad.

- eliminar el arranque.
2. Retire el tapón de relleno de aceite / varilla de medición.
3. Vierta el aceite fuera del orificio de llenado de aceite en un recipiente inclinando la unidad hasta una posición vertical (Fig. 17). Deje suficiente tiempo como para completar el drenaje.

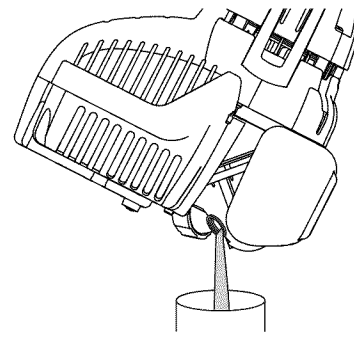


Fig. 17

4. Seque todo el aceite residual de la unidad y limpie todo el aceite que pueda haberse derramado. Elimine todo el aceite de acuerdo con las normas federales, estatales y locales.
5. Vuelva a cargar el cárter del cigüeñal con 90 ml (3,04 onzas fluidas) de aceite SAE 30 SF, SG, SH.

**NOTA:** Use la botella y la boquilla que guardó del uso inicial para medir la cantidad correcta. El nivel de 90 ml (3,04 onzas) está aproximadamente en la parte superior de la etiqueta de la botella (Fig. 18). Mida el nivel con la varilla de medición. Si el nivel está bajo, agregue una pequeña cantidad de aceite y vuelva a medir (Fig. 18). No lo llene demasiado.

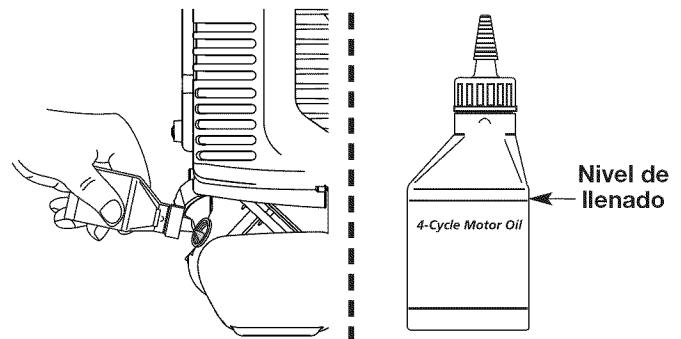


Fig. 18

6. Vuelva a colocar el tapón de relleno de aceite / varilla de medición.
7. Vuelva a conectar el manguito de la bujía de encendido.

## MANTENIMIENTO DEL FILTRO DE AIRE



**ADVERTENCIA:** Para evitar graves lesiones personales, apague siempre su recortador y espere que se enfríe antes de limpiarlo o realizar todo tipo de mantenimiento.

### Limpeza del filtro de aire

Limpe y vuelva a aceitar el filtro de aire cada 10 horas de operación. Es un elemento cuyo mantenimiento es importante. Si no realiza el mantenimiento del filtro de aire, su garantía será **ANULADA**.

1. Abra la cubierta del filtro de aire. Empuje la orejeta del lado izquierdo de la cubierta hacia adentro, gire la cubierta del filtro de aire hacia afuera y sepárela del bastidor del filtro de aire (Fig. 19).
2. Saque el filtro de aire y la pantalla que está detrás del mismo (Fig. 19).

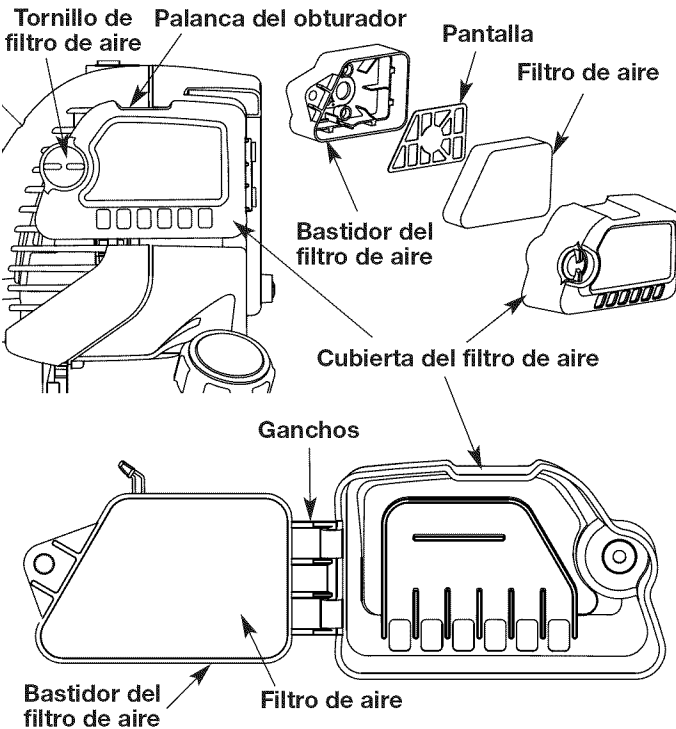


Fig. 19

3. Lave el filtro con agua y detergente (Fig. 20). Enjuague bien el filtro y déjelo secar.

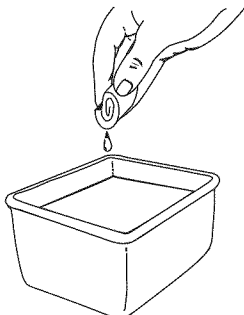


Fig. 20

4. Aplique suficiente aceite limpio de motor SAE 30 para recubrir ligeramente el filtro (Fig. 21).
5. Apriete el filtro para esparcir y retirar el exceso de aceite (Fig. 21).
6. Vuelva a colocar el filtro (Fig. 19).

**NOTA:** Si opera la unidad sin el filtro de aire, su garantía será **ANULADA**.

7. Vuelva a instalar la cubierta del filtro de aire. Coloque los ganchos del lado derecho de la cubierta del filtro de aire dentro de las ranuras del lado derecho del bastidor del filtro de aire.

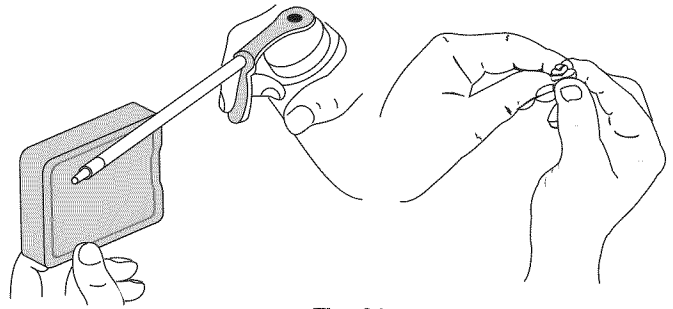


Fig. 21

8. Gire la cubierta hacia la izquierda hasta que la orejeta de la cubierta del filtro de aire se trabe en su lugar en la ranura del lado izquierdo del bastidor del filtro de aire (Fig. 19).

## AJUSTE DEL CARBURADOR

La velocidad mínima del motor puede ser ajustada. Puede tener acceso al tornillo de ajuste de mínima a través de un orificio en la parte superior de la cubierta del motor (Fig. 22).

**NOTA:** Los ajustes descuidados pueden dañar su motor seriamente. Los ajustes del carburador deben ser realizados por un proveedor de servicio autorizado.

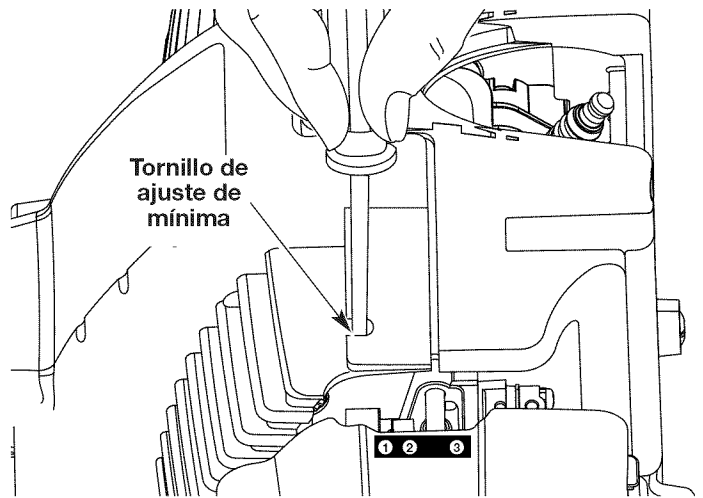


Fig. 22

## Inspección del Combustible

En general, el combustible viejo es el motivo principal para que la unidad no funcione en forma adecuada. Drene y vuelva a llenar el tanque con combustible nuevo, limpio y sin plomo antes de hacer ningún ajuste. Consulte la *Información acerca del Aceite y Combustible*.

## Limpeza del Filtro de Aire



**ADVERTENCIA:** La unidad funcionará durante los ajustes del carburador. Use ropa que lo proteja y cumpla con todas las instrucciones de seguridad para prevenir graves lesiones personales.

La condición del filtro de aire es importante para el funcionamiento de la unidad. Un filtro de aire sucio limitará el flujo de aire y cambiará la mezcla de aire y combustible. Con frecuencia esto se confunde con un carburador fuera de ajuste. Inspeccione la condición del filtro de aire antes de ajustar el tornillo de velocidad mínima. Consulte la sección de Mantenimiento del Filtro de Aire.

## Ajuste del Tornillo de Velocidad Mínima

Si después de inspeccionar el combustible y limpiar el filtro de aire el motor aún no funciona en mínima, ajuste el tornillo de velocidad mínima según se indica a continuación.

1. Arranque el motor y déjelo funcionar a una mínima alta durante un minuto para que se caliente.

**NOTA:** Verifique que las púas no estén en contacto con el suelo cuando ajuste la marcha lenta.

2. Suelte el gatillo del regulador y deje que el motor funcione en marcha lenta. Si el motor se para, inserte un pequeño

destornillador Phillips o de vástago plano en el orificio de la cubierta del silenciador / filtro de aire (Fig. 22). Gire el tornillo de marcha lenta en sentido horario, de a 1/8 de vuelta por vez (según sea necesario) hasta que el motor funciona en mínima.

**NOTA:** Las púas no deben girar cuando el motor está en mínima.

- Si las púas giran cuando el motor está en mínima, gire el tornillo de marcha lenta en sentido antihorario 1/8 de vuelta por vez (según sea necesario) para reducir la marcha lenta.

La inspección del combustible, la limpieza del filtro de aire y el ajuste del tornillo de velocidad mínima debe resolver la mayoría de los problemas del motor. Si esto no sucede, y:

- El motor no funciona en mínima
- El motor fluctúa o se ahoga al acelerarlo
- Existe una pérdida de fuerza motriz

lleve el carburador a ajustar a un proveedor de servicio autorizado.

### HUELGO DEL BRAZO OSCILANTE

Para ajustar el espacio libre del brazo oscilador se requiere desarmar el motor. Si usted siente que no está seguro o que no está calificado como para realizar esto, lleve la unidad a un centro de servicio autorizado.

**NOTA:** Inspeccione el huelgo de la válvula del brazo oscilante con una galga después de las primeras 10 horas de operación y luego cada 25 horas de operación en lo sucesivo.

- El motor debe estar frío cuando verifique o ajuste el huelgo de la válvula.
  - Esta tarea debe ser realizada en interiores, en un área limpia y libre de polvo.
- Quite los cinco (5) tornillos con un destornillador de pala o Torx #20 (Fig. 23).

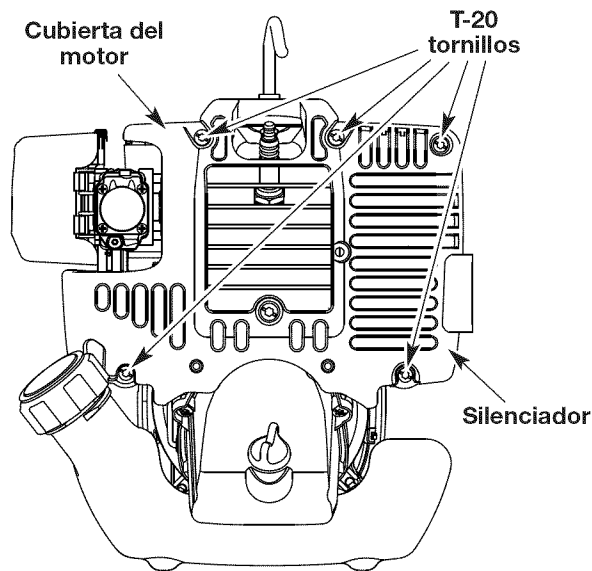


Fig. 23

- Saque el tornillo con un destornillador de pala o Torx #25 (Fig. 24).

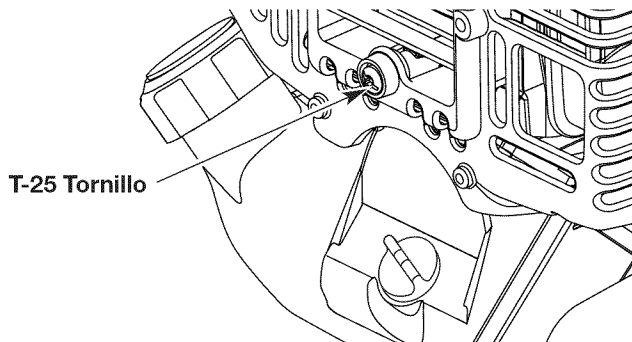


Fig. 24

- Desconecte el cable de la bujía de encendido.

- Limpie la suciedad de alrededor de la bujía de encendido. Saque la bujía de encendido de la cabeza del cilindro girando un casquillo de 16mm (5/8 pulgadas) en sentido antihorario.
- Saque la cubierta del motor.
- Limpie la suciedad de alrededor de la cubierta del brazo oscilante. Saque el tornillo que sostiene la cubierta del brazo oscilante con un destornillador grande de vástago plano o con una broca Torx T-25 (Fig. 25). Saque la cubierta y la junta del brazo oscilante.

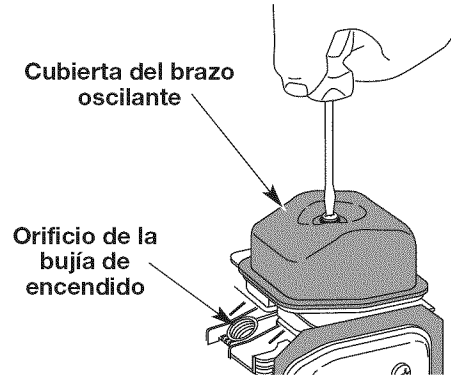


Fig. 25

- Tire lentamente de la cuerda de arranque para traer el pistón hacia la parte superior de su recorrido (conocido como punto muerto superior). Verifique que:
  - El pistón se encuentre en la parte superior de su recorrido mientras mira dentro del orificio de la bujía de encendido (Fig. 26).

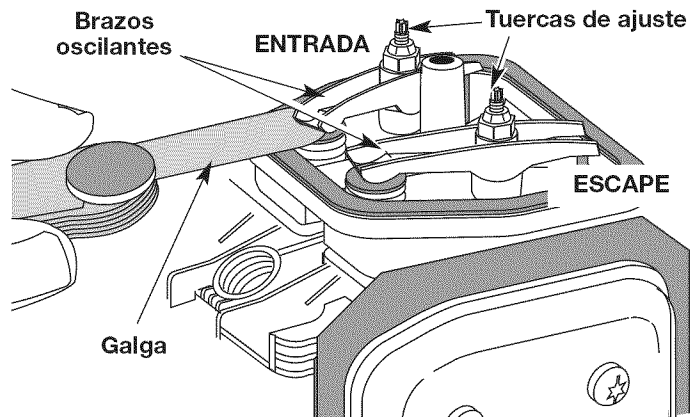


Fig. 26

- Ambos brazos oscilantes se mueven con libertad, y ambas válvulas están cerradas. De no ser así, repita este paso.
- Deslice la galga entre el brazo oscilante y el resorte de retorno de la válvula. Mida el huelgo entre el vástago de la válvula y el brazo oscilante (Fig. 26 y 27). Realice esto en las válvulas de entrada y de escape.
 

El huelgo recomendado para las válvulas de entrada y de escape es 0,076 – 0,152 mm (0,003 – 0,006 pulgadas). Use un calibrador regular de automóvil de 0,127 mm (0,005 pulgadas). El calibrador debe deslizarse entre el balancín y el vástago de la válvula con una ligera cantidad de resistencia, sin doblarse (Fig. 26 y 27).
  - Si el huelgo no se encuentra dentro de las especificaciones:
    - Gire la tuerca de ajuste con una llave de 8 mm (5/16 pulgadas) o una guía de tuercas (Fig. 27).
      - Para incrementar el huelgo, gire la tuerca de ajuste en sentido antihorario.
      - Para reducir el huelgo, gire la tuerca de ajuste en sentido horario.
    - Vuelva a inspeccionar ambos huelgos, y ajuste si es necesario.
  - Vuelva a instalar la cubierta del brazo oscilante utilizando una nueva junta. Ajuste el tornillo a 2,2–3,4 N•m (20–30 pulgadas•libra).

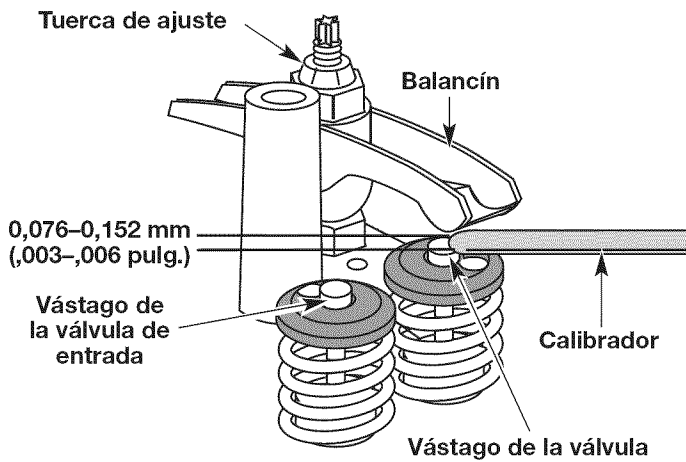


Fig. 27

11. Vuelva a instalar la cubierta del motor. Verifique la alineación de la cubierta antes de ajustar los tornillos. Ajuste los tornillos.
12. Inspeccione la bujía de encendido y vuelva a instalar. Lea Cambio de la Bujía de encendido.
13. Vuelva a colocar el cable de la bujía de encendido.

**CAMBIO DE LA BUJÍA DE ENCENDIDO**

**PRECAUCIÓN:** No limpie con chorro de arena, ni raspe ni limpie los electrodos. El motor podría dañarse si penetran pequeñas partículas en el cilindro.

Use una bujía de encendido **753-05784** o Champion ref. #RDZ4H. La separación correcta es de **0,635 mm (0,025 pulgadas)**. Retire la bujía luego de cada 25 horas de operación e inspeccione su estado.

1. Apague el motor y espere que se enfríe. Tome el alambre de la bujía con firmeza y sáquelo de la bujía de encendido.
2. Limpie alrededor de la bujía de encendido. Saque la bujía de encendido de la cabeza del cilindro girando una llave de casquillo de 16 mm (5/8 de pulgada) en sentido antihorario.
3. Cambie las bujías que estén rajadas, sucias o deterioradas. Fije la separación de aire a 0,635 mm (0,025 pulgadas) utilizando un calibrador (Fig. 28).
4. Instale una bujía de encendido con la separación correcta en la cabeza del cilindro. Ajuste girando la llave de casquillo 16 mm (5/8 de pulgada) en sentido horario hasta que esté ajustada sin huelgo.

Si usa una llave de torsión, ajuste a:

**110-120 pulg. • libras (12,3-13,5 N•m)**

**No ajuste demasiado.**

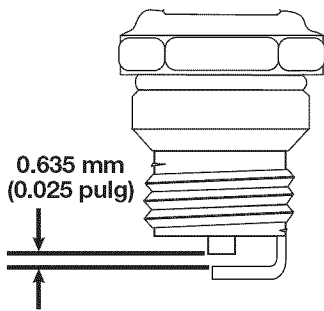


Fig. 28

**MANTENIMIENTO DEL AMORTIGUADOR DE CHISPAS**

1. Saque la cubierta del amortiguador de chispas. Lea *Huelgo del brazo oscilante*.
2. Con un destornillador de vástago plano o broca Torx T20, saque el tornillo que conecta la cubierta del amortiguador de chispas al silenciador (Fig. 29).
3. Retire la cubierta del amortiguador de chispas.
4. Saque la pantalla del amortiguador de chispas de la cubierta del amortiguador de chispas.
5. Limpie la pantalla del amortiguador de chispas con un cepillo de alambre, o cámbiela.
6. Vuelva a instalar la pantalla del amortiguador de chispas, la cubierta del amortiguador de chispas y el tornillo.

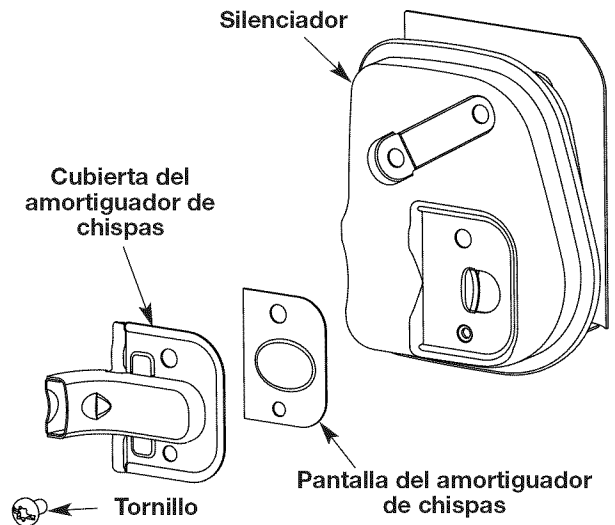


Fig. 29

**LIMPIEZA DE LA UNIDAD**

**ADVERTENCIA:** Para evitar graves lesiones personales, apague siempre su unidad y espere que se enfríe antes de limpiarla o realizar cualquier tipo de mantenimiento.

- Use un cepillo pequeño para limpiar la parte exterior de la unidad y para mantener los respiraderos libres de obstrucciones.
- No use detergentes fuertes ni limpiadores derivados del petróleo como queroseno. Algunos limpiadores domésticos contienen aceites aromáticos como pino y limón que pueden dañar los bastidores de plástico y las manijas. Seque toda la humedad con un paño suave.

**ALMACENAMIENTO**

- No guarde nunca la unidad con combustible en el tanque donde los vapores puedan llegar a una llama o chispa.
- Espere que el motor se enfríe antes de guardar la unidad.
- Guarde la unidad bajo llave para prevenir el uso por personas no autorizadas y su daño.
- Guarde la unidad en un área seca y bien ventilada.
- Guarde la unidad fuera del alcance de los niños.

**ALMACENAMIENTO POR LARGOS PERIODOS DE TIEMPO**

Si debe guardar la unidad durante un largo período de tiempo,

1. Drene toda la gasolina del tanque en un recipiente. No use gasolina que haya estado guardada durante más de 60 días. Elimine la gasolina vieja de acuerdo con las normas federales, estatales y locales.
2. Arranque el motor y déjelo funcionar hasta que se ahogue. Esto asegura que toda la gasolina se haya drenado del carburador.
3. Deje enfriar el motor. Saque la bujía de encendido y coloque 5 gotas de aceite de motor de buena calidad en el cilindro. Tire de la cuerda de arranque lentamente para distribuir el aceite. Vuelva a instalar la bujía de encendido.

**NOTA:** Saque la bujía de encendido y drene todo el aceite del cilindro antes de intentar usar el recortador luego de haber estado guardado.

4. Cambie el aceite. Lea *Cambio del Aceite*. Elimine el aceite viejo de acuerdo con las normas federales, estatales y locales.
5. Limpie bien la unidad y verifique que no existan partes flojas ni dañadas. Repare o cambie las partes dañadas y ajuste los tornillos, las tuercas o los pernos que estén flojos. La unidad está lista para ser guardada.
6. Para ocupar menos espacio de almacenamiento, afloje las perillas del manubrio y pliegue el manubrio hacia abajo. La unidad está lista para su almacenamiento.

**TRANSPORTE**

- Espere que el motor se enfríe antes de transportar la unidad.
- Asegure la unidad durante su transporte.
- Drene el tanque del combustible antes de transportar la unidad.
- Ajuste la tapa del combustible antes de transportar la unidad.

## RESOLUCIÓN DE PROBLEMAS

### EL MOTOR NO ARRANCA

CAUSA	ACCIÓN
El control de apagado On/Off está en posición de OFF	Gire el control de apagado On/Off a ON
El tanque de gasolina está vacío	Llene el tanque con combustible
La bombilla de cebado no fue oprimida lo suficiente	Oprima la bombilla de cebado total y lentamente de 10 veces
El gasolina es viejo	Drene el tanque de gasolina / Agregue gasolina nueva
La bujía de encendido está arruinada	Cambie o limpie la bujía de encendido
Parachispas obstruido	Limpie o cambie el parachispas
El motor está inundado	Coloque la palanca azul del obturador en la Posición 3, oprima la bombilla de cebado total de 10 veces

### EL MOTOR NO FUNCIONA EN MINIMA

CAUSA	ACCIÓN
El filtro de aire está obstruido	Cambie o limpie el filtro de aire
El gasolina es viejo	Drene el tanque de gasolina / Agregue gasolina nueva
El carburador no está ajustado en forma correcta	Ajuste según las instrucciones o lleve la unidad a un Sears o otra proveedor de servicio autoriza do para hacer un ajuste de carburador

### EL MOTOR NO ACELERA

CAUSA	ACCIÓN
El gasolina es viejo	Drene el tanque de gasolina / Agregue gasolina nueva
El filtro de aire está sucio	Limpie o cambie el filtro de aire
Parachispas obstruido	Limpie o cambie el parachispas
El accesorio de corte está atascado de hierba	Pare el motor y limpie el accesorio de corte

### EL MOTOR NO TIENE SUFICIENTE POTENCIA O SE AHOGA AL CORTAR

CAUSA	ACCIÓN
El gasolina es viejo	Drene el tanque de gasolina / Agregue gasolina nueva
La bujía de encendido está arruinada	Cambie o limpie la bujía de encendido
Parachispas obstruido	Limpie o cambie el parachispas
Energía baja	Huelgo del brazo oscilante (pagina E12)
El accesorio de corte está atascado de hierba	Pare el motor y limpie el accesorio de corte

### RASTROS DE ACEITE ALREDEDOR DEL TAPON DEL ACEITE / VARILLA DE MEDICIÓN

CAUSA	ACCIÓN
El tapón del aceite /varilla de medición está flojo o le falta el anillo en O	Ajuste el tapón del aceite / varilla de medición, coloque un anillo en O

### LA UNIDAD FALLA OCASIONALMENTE A ALTAS VELOCIDADES

CAUSA	ACCIÓN
La separación entre los electrodos de la bujía es demasiado pequeña/cerrada	Ajuste la separación a 0.025 de pulgada (0.635 mm)

Si necesita asistencia adicional, comuníquese con su Sears o otra proveedor de servicio cualificado.

## ESPECIFICACIONES

### MOTOR\*

Tipo de motor	Enfriado por aire, 4 ciclos
Desplazamiento	26,2 cc (1.6 pulgadas cúbicas)
R.P.M. de velocidad mínima	3.000-3.600 r.p.m.
R.P.M. de operación	7.200-8.800 r.p.m.
Tipo de embrague	Centrífugo
Tipo de encendido	Electrónico
Interruptor de encendido	Interruptor oscilante
Huelgo de la válvula (entrada y escape)	0,076 – 0,0152 mm (0,003 – 0,006 pulg.)
Separación de la bujía de encendido	0,635 mm (0,025 pulg.)
Lubricación	Aceite SAE 30
Capacidad de aceite del cárter del cigüeñal	90 ml (3,04 onzas)
Combustible	Sin plomo
Carburador	Diafragma, multiposicional
Arranque	Rebobinado automático
Silenciador	Desviado con protección
Regulador	Retroceso de resorte
Capacidad del tanque de combustible	532 ml (18 onzas)

### EJE IMPULSOR Y CULTIVADOR\*

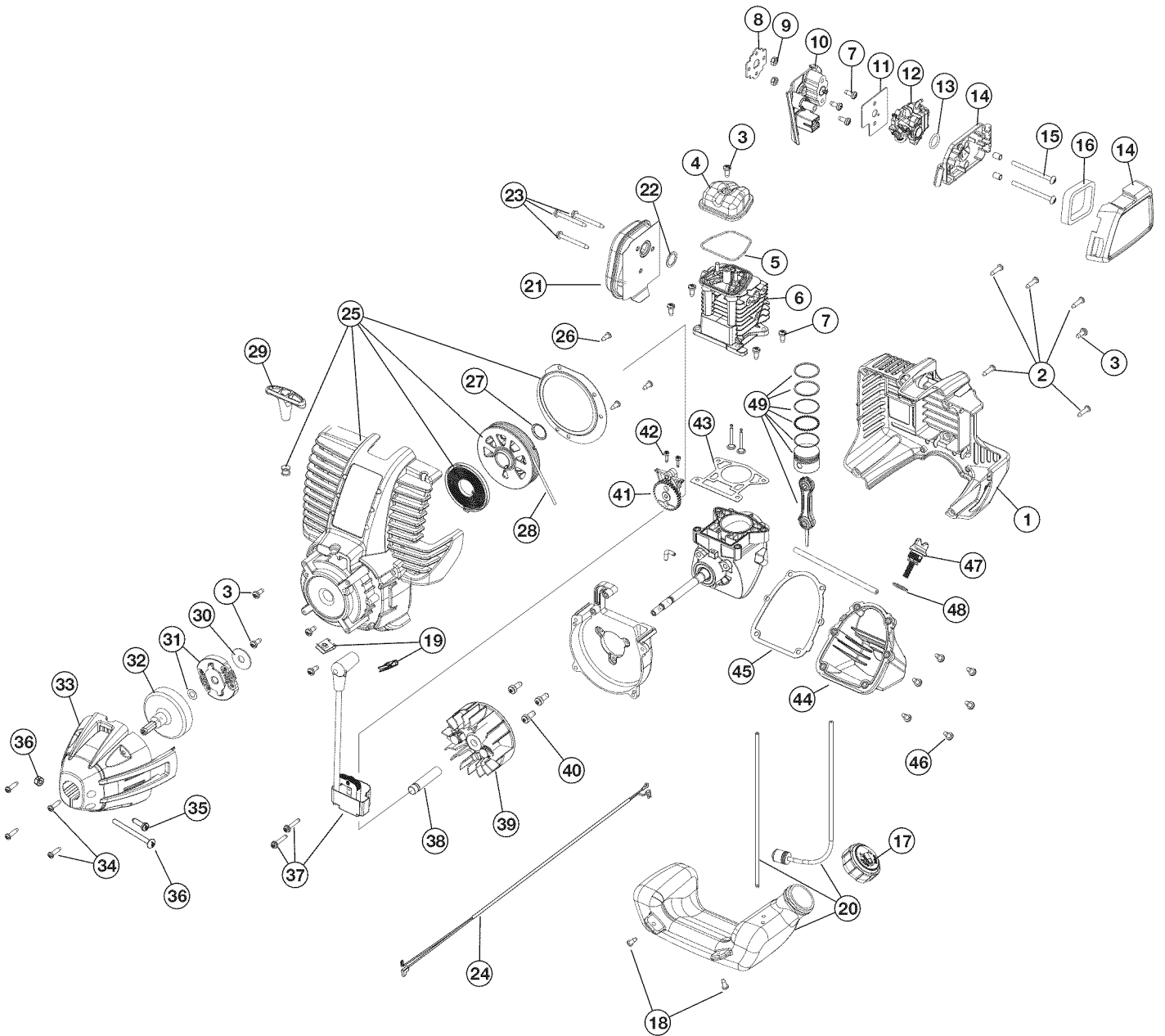
Ancho de la trayectoria de cultivo (Máximo)	22,86 cm (9 pulgadas)
Profundidad de cultivo (Máximo)	15,24 cm (6 pulgadas)
Peso (sin combustible)	11,5 kg (25 libras)

\* Toda las especificaciones contenidas en este manual se basan en la información más reciente disponible en el momento de impresión del manual. Nos reservamos el derecho de hacer cambios en cualquier momento sin aviso previo.



PARTS LIST

REPLACEMENT PARTS - MODEL 316.292650  
4-CYCLE GAS CULTIVATOR



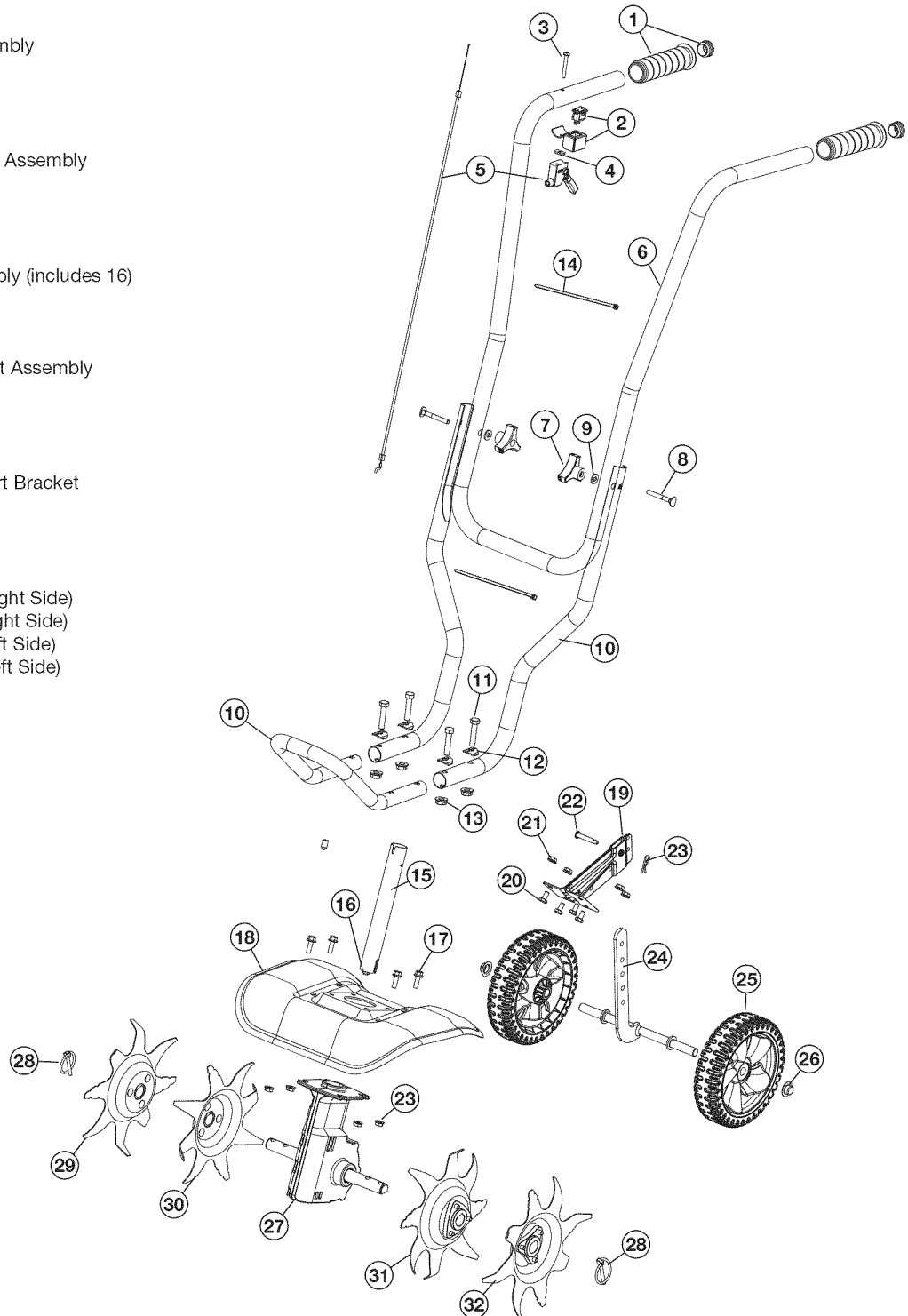
## REPLACEMENT PARTS - MODEL 316.292650 4-CYCLE GAS CULTIVATOR

<u>Item</u>	<u>Part No.</u>	<u>Description</u>	<u>Item</u>	<u>Part No.</u>	<u>Description</u>
1	753-05998	Engine Cover	26	753-1202	Plate Screw
2	791-181345	Screw	27	753-05260	Push Nut
3	753-05377	Screw	28	753-06076	Rope
4	753-05209	Valve Cover	29	753-05011	Pull Handle
5	753-05210	Valve Cover Gasket	30	791-182396	Washer
6	753-05438	Cylinder Assembly (includes 5, 7 & 43)	31	753-1238	Clutch Assembly
7	791-181003	Cylinder Screw	32	791-153592	Clutch Drum
8	753-05247	Insulator Gasket	33	753-05446	Clutch Cover Assembly (includes 34-36)
9	753-05248	Nut	34	791-181345	Cover Screw
10	753-05452	Insulator (includes 11)	35	791-182519	Anti-Rotation Screw
11	753-05439	Carburetor Gasket	36	753-04291	Clamping Screw Assembly
12	753-1225	Carburetor w/Primer	37	753-05243	Ignition Module Assembly
13	791-181751	Carburetor O-Ring	38	753-05078	Spacer
14	753-05995	Air Filter Cover Assembly (includes 16)	39	753-05240	Flywheel
15	753-05253	Air Filter Mounting Screw	40	791-181861	Shroud Screw
16	753-05996	Air Filter	41	753-04919	Cam Bracket Assembly (includes 42)
17	753-05289	Fuel Cap	42	791-181012	Cam Bracket Screw
18	791-181930	Screw	43	791-182374	Cylinder Gasket
19	791-182366	Clip Nut	44	791-182377	Oil Pan (includes 45 & 46)
20	753-05443	Fuel Tank Assembly (includes 17)	45	791-181018	Oil Pan Gasket
21	753-05997	Muffler Assembly (includes 22 & 23)	46	791-181020	Oil Pan Screw
22	753-05244	Muffler Gasket	47	791-182378	Dipstick Assembly (includes 48)
23	753-05246	Muffler Mounting Screw	48	791-182290	O-Ring
24	753-04039	Lead Wire	49	753-05458	Piston Assembly
25	753-06075	Starter Housing Assembly (includes 3 & 26-29)	*	791-180852B	Spark Plug
			*	753-05450	Shortblock Assembly (includes 3-7 & 37-49)

PARTS LIST

REPLACEMENT PARTS - MODEL 316.292650  
4-CYCLE GAS CULTIVATOR

Item	Part No.	Description
1	791-182675	Grip
2	753-06006	Switch Assembly
3	753-04003	Screw
4	753-04186	Wellnut
5	753-06007	Throttle Assembly
6	791-182882	Upper Handle
7	791-182677	Knob
8	791-182899	Bolt
9	791-182678	Washer
10	753-06009	Lower Handle Assembly
11	753-06012	Bolt
12	753-04052	Washer
13	753-04056	Lock Nut
14	753-04049	Cable Tie
15	753-06011	Boom Assembly (includes 16)
16	753-06005	Flex Shaft
17	791-182195	Screw
18	753-04067	Tine Shield
19	753-04058	Wheel Bracket Assembly
20	753-04060	Bolt
21	753-04061	Lock Nut
22	753-04059	Clevis Pin
23	753-04057	Cotter Pin
24	753-04063	Wheel Support Bracket
25	753-04064	Wheel
26	753-04062	Push Cap
27	753-04075	Gearbox
28	753-04070	Click Pin
29	753-04073	Outer Tine (Right Side)
30	753-04074	Inner Tine (Right Side)
31	753-04072	Inner Tine (Left Side)
32	753-04071	Outer Tine (Left Side)



# Get it fixed, at your home or ours!

## Your Home

For expert troubleshooting and home solutions advice:

**manage my home**

[www.managemyhome.com](http://www.managemyhome.com)

For repair – in your home – of all major brand appliances, lawn and garden equipment, or heating and cooling systems, no matter who made it, no matter who sold it!

For the replacement parts, accessories and owner's manuals that you need to do-it-yourself.

For Sears professional installation of home appliances and items like garage door openers and water heaters.

**1-800-4-MY-HOME<sup>®</sup>** (1-800-469-4663)

Call anytime, day or night (U.S.A. and Canada)

[www.sears.com](http://www.sears.com)    [www.sears.ca](http://www.sears.ca)

## Our Home

For repair of carry-in items like vacuums, lawn equipment, and electronics, call anytime for the location of your nearest

**Sears Parts & Repair Service Center**

**1-800-488-1222** (U.S.A.)

[www.sears.com](http://www.sears.com)

**1-800-469-4663** (Canada)

[www.sears.ca](http://www.sears.ca)

To purchase a protection agreement on a product serviced by Sears:

**1-800-827-6655** (U.S.A.)

**1-800-361-6665** (Canada)

Para pedir servicio de reparación a domicilio, y para ordenar piezas:

**1-888-SU-HOGAR<sup>®</sup>**

(1-888-784-6427)

Au Canada pour service en français:

**1-800-LE-FOYER<sup>MC</sup>**

(1-800-533-6937)

[www.sears.ca](http://www.sears.ca)

**Sears**