

SONANCE

INVISIBLE SERIES SOUND ISOLATING ENCLOSURE INSTALLATION INSTRUCTIONS

INTRODUCTION

Sonance Invisible Series Sound Isolating Enclosures reduce sound transmission into rooms that are adjacent to speakers mounted in walls or in ceilings. For the enclosures to be effective, it is important that they are installed according to the following directions to ensure a tight seal with the speaker.

INSTALLATION

Step 1

Route the wire from the IS speaker through the air tight connector on the enclosure. You might need to loosen the nut on the air tight connector to allow the wire to pass through easily.

Step 2

Place the speaker on a flat surface. Place the enclosure in the groove on the back of the IS speaker baffle. Use the provided screws to attach the enclosure to the speaker.

NOTE: MAKE SURE THAT THE RUBBER GASKET REMAINS UNDER THE EDGE OF THE ENCLOSURE.

To ensure that the gasket sits properly, tighten the screws in a crisscross and diagonal pattern. Apply an equal amount of torque to each screw.

IMPORTANT: ALWAYS USE LOW-TORQUE SETTINGS. NEVER OVER TIGHTEN.

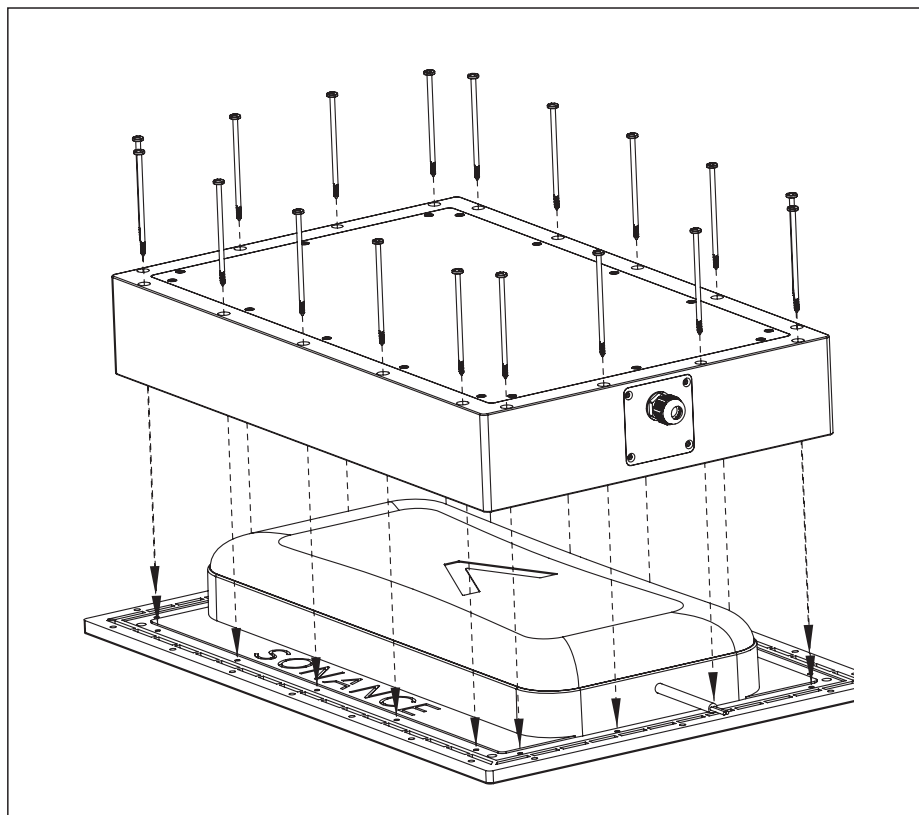
Step 3

Tighten the nut on the air tight connector to seal up the enclosure and capture the speaker wire. Connect the wires from your amplifier to the speaker wires normally.

NOTE: ALL SONANCE INVISIBLE SERIES SPEAKER AND SUBWOOFER MODELS HAVE A 3.39" (86MM) MOUNTING DEPTH WHEN INSTALLED WITH THE SOUND ISOLATING ENCLOSURE. (MODELS IS8T, IS6T, AND IS15W INCLUDE THE ENCLOSURE BUILT IN AND DO NOT REQUIRE THIS ACCESSORY).



For additional information please scan the code.



Note: Contact Sonance Technical Support for replacement screws.

LIMITED FIFTEEN (15) YEAR WARRANTY

Sonance warrants to the first end-user purchaser that this Sonance-brand product ("Product"), when purchased from an authorized Sonance Dealer/Distributor and installed by a Sonance installer, will be free from defective workmanship and materials in the initial installation for the period stated below. Subject to the additional limitations stated below, Sonance will (a) at its option and expense during the warranty period, either repair the defect or replace the Product with a new or remanufactured Product or a reasonable equivalent, and (b) arrange at its reasonable expense to re-install the Product and prepare the surface of the speaker and/or mounting platform for finishing and nothing more.

EXCLUSIONS TO THE EXTENT PERMITTED BY LAW, THE WARRANTY SET FORTH ABOVE IS IN LIEU OF, AND EXCLUSIVE OF, ALL OTHER WARRANTIES, EXPRESS OR IMPLIED, AND IS THE SOLE AND EXCLUSIVE WARRANTY PROVIDED BY SONANCE. ALL OTHER EXPRESS AND IMPLIED WARRANTIES, INCLUDING THE IMPLIED WARRANTY OF MERCHANTABILITY, IMPLIED WARRANTY OF FITNESS FOR USE, AND IMPLIED WARRANTY OF FITNESS FOR A PARTICULAR PURPOSE ARE SPECIFICALLY EXCLUDED.

No one is authorized to make or modify any warranties on behalf of Sonance. The warranty stated above is the sole and exclusive remedy and Sonance's performance shall constitute full and final satisfaction of all obligations, liabilities and claims with respect to the Product. IN ANY EVENT, SONANCE SHALL NOT BE LIABLE FOR CONSEQUENTIAL,

INCIDENTAL, ECONOMIC, PROPERTY, BODILY INJURY, OR PERSONAL INJURY DAMAGES ARISING FROM THE PRODUCT, ANY BREACH OF THIS WARRANTY OR OTHERWISE.

This warranty statement gives you specific legal rights, and you may have other rights which vary from state to state. Some states do not allow the exclusion of implied warranties or limitations of remedies, so the above exclusions and limitations may not apply. If your state does not allow disclaimer of implied warranties, the duration of such implied warranties is limited to the period of Sonance's express warranty. Your Product Model and Description: Sonance BPS6 TL SLOT CONNECTOR Warranty Period for this Product: Fifteen (15) years from the date on the original sales receipt, invoice or other satisfactory proof of purchase. Additional Limitations and Exclusions From Warranty Coverage: The warranty described above is non-transferrable, applies only to the initial installation of the Product, does not include re-finishing of the speaker and/or mounting platform or surrounding surface, does not include damage to allied or associated equipment which may result for any reason from use with this Product, and does not include Product failure caused by accident, disaster, negligence, improper installation, misuse (e.g. overdriving the amplifier or speaker, excessive heat or cold or humidity, outdoor installation), or from service or repair which has not been authorized by Sonance. Obtaining Authorized Service: To qualify for the warranty, you (1) must contact your authorized Sonance Dealer/Installer or call Sonance Customer Service at (949) 492-7777 within the warranty period, (2) must obtain a return merchandise number (RMA), and (3) deliver the Product to Sonance shipping prepaid during the warranty period, together with the original sales receipt, invoice or other satisfactory proof of purchase.

