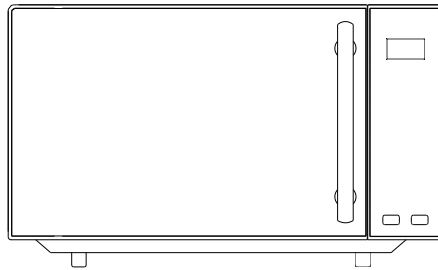




Microwave Oven



Models:

SM903BSA1
SM904WA

BEFORE USE, PLEASE READ AND FOLLOW ALL SAFETY RULES AND OPERATING INSTRUCTIONS.

Write Model and Serial Numbers here:

Model: _____

Serial No: _____

Felix Storch, Inc.
An ISO 9001:2015 registered company
770 Garrison Ave
Bronx, New York 10474
www.summitappliance.com

PRECAUTIONS TO AVOID POSSIBLE EXPOSURE TO EXCESSIVE MICROWAVE ENERGY

1. Do not attempt to operate this oven with the door open since open-door operation can result in harmful exposure to microwave energy. It is important not to defeat or tamper with the safety interlocks.
2. Do not place any object between the oven, front face and the door or allow soil or cleaner residue to accumulate on sealing surfaces.
3. Do not operate the oven if it is damaged. It is very important that the oven door closes properly and that there is no damage to the
 - a) Door (including any bent),
 - b) Hinges and latches (broken or loosened),
 - c) Door seals and sealing surfaces.
4. The oven should not be adjusted or repaired by anyone except qualified service personnel.

CONTENT

PRECAUTIONS TO AVOID POSSIBLE EXPOSURE TO EXCESSIVE MICROWAVE ENERGY	1
IMPORTANT SAFETY INSTRUCTIONS	2
GROUNDING INSTRUCTIONS.....	4
INSTALLATION GUIDE.....	4
COOKING UTENSILS GUIDE.....	5
SPECIFICATIONS	6
PART NAMES	6
CONTROL PANEL.....	7
OPERATION INSTRUCTIONS	8
Deactivating And Activating Child Safety Lock.....	8
Setting the Clock	9
Setting the Timer.....	9
Express Cooking	10
Microwave Cooking.....	10
Speed Defrost.....	10
Defrost by Weight.....	10
Cook by Weight.....	11
Multistage Cooking	11
Auto Cook	12
Child Lock.....	12
Button Adhesion Protection.....	12
CLEANING AND CARE	13
LIMITED WARRANTY.....	14

IMPORTANT SAFETY INSTRUCTIONS

WARNING!--To reduce the risk of burns, electric shock, fire, injury to people or exposure to excessive microwave energy:

1. Read all the instructions before using the appliance.
2. Read and follow the specific "PRECAUTIONS TO AVOID POSSIBLE EXPOSURE TO EXCESSIVE MICROWAVE ENERGY" on page 1.
3. This appliance must be grounded. Connect only to properly grounded outlets. See "GROUNDING INSTRUCTIONS" on page 4.
4. Install or locate this appliance only in accordance with the installation instructions provided.
5. Do not operate the oven when empty.
6. Some products such as whole eggs and sealed containers -for example, closed glass jars- can explode and should not be heated in this oven.
7. Use this appliance only for its intended use as described in this manual. Do not use corrosive chemicals or vapors in this appliance. This type of oven is specifically designed to heat, cook, or dry food. It is not designed for industrial or laboratory use.
8. **HOT CONTENTS CAN CAUSE SEVERE BURNS. DO NOT ALLOW CHILDREN TO USE THE MICROWAVE.** Use caution when removing hot items.
9. To reduce the risk of fire in the oven cavity:
 - a) Do not overcook food. Carefully attend appliance when paper, plastic, or other combustible materials are placed inside the oven to facilitate cooking.
 - b) Remove wire twist-ties from paper or plastic bags before placing bag in oven.
 - c) If materials inside the oven should ignite, keep the oven door closed, turn oven off, and disconnect the power cord or shut off power at the fuse or circuit breaker panel.
 - d) Do not use the cavity for storage purposes. Do not leave paper products, cooking utensils or food in the cavity when not in use.
10. Liquids, such as water, coffee, or tea can be overheated beyond the boiling point without appearing to be boiling due to the surface tension of the liquid. Visible bubbling or boiling when the container is removed from the microwave oven is not always present. **THIS COULD RESULT IN VERY HOT LIQUIDS SUDDENLY BOILING OVER WHEN A SPOON OR OTHER UTENSIL IS INSERTED INTO THE LIQUID.** To reduce the risk of injury to a person:
 - a) Do not overheat the liquid.
 - b) Stir the liquid both before and halfway through heating it.
 - c) Do not use straight-sided containers with narrow necks.
 - d) After heating, allow the container to stand in the microwave oven for a short time before removing the container.
 - e) Use extreme care when inserting a spoon or other utensil into the container.
11. Do not heat oil or fat for deep-frying. It is difficult to control the temperature of oil in microwave oven.
12. Do not cover or block any openings on the appliance.
13. Do not store or use this appliance outdoors. Do not use this product near water, for example, near a kitchen sink, in a wet basement, near a swimming pool, or similar locations.
14. Do not operate this appliance if it has a damaged cord or a plug, if it is not working properly or if it has been damaged or dropped.
15. Do not immerse cords or plug in water. Keep the cord away from a heated surface. Do not let cord hang over edge of table or counter.

16. This appliance should be serviced only by qualified service personnel, contact authorized service technician facility for examination, repair, or adjustment.
17. When cleaning the surfaces of door and oven that comes together on closing the door, use only mild, nonabrasive soaps, or detergents applied with a sponge or soft cloth.
18. This equipment has been tested and found to comply with Part 18 of the FCC Rules. Operation is subject to the following two conditions: (1) This device may not cause harmful interference, and (2) this device must accept any interference received, including interference that may cause undesired operation.

CAUTION: Changes or modifications not expressly approved by the party responsible for compliance could void the user's authority to operate the product.

19. This equipment generates, uses and can radiate radio frequency energy and, if not installed and used in accordance with the instructions, may cause harmful interference in radio communications. However, there is no guarantee that interference will not occur in a particular installation. If this equipment does cause harmful interference to the radio or television reception, which can be determined by turning the equipment off and on, the user is encouraged to try to correct the interference by one or more of the following measures:
 - Reorient or relocate the receiving antenna.
 - Increase the separation between the equipment and receiver.
 - Connect the equipment into an outlet on a circuit different from that to which the receiver is connected.
 - Consult the dealer or an experienced radio/TV technician for help.

SAVE THESE INSTRUCTIONS

GROUNDING INSTRUCTIONS

This appliance must be grounded. In the event of an electrical short circuit, grounding reduces risk of electric shock by providing an escape wire for the electric current. This appliance is equipped with a cord having a grounding wire with a grounding plug. The plug must be plugged into an outlet that is properly installed and grounded.

WARNING!-- Improper use of the grounding plug can result in a risk of electric shock.

Consult a qualified electrician or serviceman if the grounding instructions are not completely understood, or if doubt exists as to whether the appliance is properly grounded, and if it is necessary to use an extension cord, use only a 3-wire extension cord that has a 3-blade grounding plug and a 3-slot receptacle that will accept the plug on the appliance. The marked rating of the extension cord shall be equal to or greater than the electrical rating of the appliance.

Electrical Requirements

The electrical requirements are 120-volt 60 Hz, AC only, 15 amp. It is recommended that a separate circuit serving only the oven be provided. The oven is equipped with a 3-prong grounding plug. It must be plugged into a wall outlet properly installed and grounded.

Power Cord

1. A short power supply cord is provided to reduce the risks resulting from becoming entangled in or tripping over a longer cord.
2. Longer cord sets or extension cords are available and may be used if care is exercised in their use.
3. If long cord or extension cord is used:
 - a) The marked electrical rating of the cord set, or extension cord should be at least as great as the electrical rating of the appliance.
 - b) The extension cord must be a grounding-type 3-wire cord, and the longer cord should be arranged so that it will not drape over the countertop or tabletop where it can be pulled on by children or tripped over unintentionally.

INSTALLATION GUIDE

1. Make sure that all the packing materials are removed from the inside of the door.
2. This microwave oven must be placed on a flat.
3. For correct operation, the oven must have sufficient air flow. Allow 8" (20 cm) of space above the oven, 4" (10 cm) at back and 2" (5 cm) at both sides. Do not cover or block any openings on the appliance. Do not remove feet on which oven stands.
4. Do not operate the oven without glass tray, roller support, and shaft in their proper positions.
5. Make sure that the power cord is undamaged and does not run under the oven or over any hot or sharp surface.
6. The socket must be readily accessible so the microwave oven can be easily unplugged in an emergency.

COOKING UTENSILS GUIDE

This section lists which utensils can be used in this microwave, which have limited use for short periods, and which should not be used in this microwave.

RECOMMENDED

- **MICROWAVE BROWNING DISH** — Use to brown the exterior of small items such as steaks, chops, or pancakes. Follow the directions provided with your browning dish.
- **MICROWAVEABLE PLASTIC WRAP** — Use to retain steam. Leave a small opening for some steam to escape and avoid placing it directly on the food.
- **PAPER TOWELS AND NAPKINS** — Use for short-term heating and covering; these absorb excess moisture and prevent spattering. **Do not use recycled paper towels**, which may contain metal and could ignite.
- **GLASS AND GLASS-CERAMIC BOWLS AND DISHES** — Use for heating or cooking.
- **PAPER PLATES AND CUPS** — Use for short-term heating at low temperatures. **Do not use recycled paper**, which may contain metal and could ignite.
- **WAX PAPER** — Use as a cover to prevent spattering.
- **THERMOMETERS** — Use only those labeled "Microwave Safe" and follow all directions. Check the food in several places. Conventional thermometers may be used on microwave food once the food has been removed from the oven.

LIMITED USE

- **ALUMINUM FOIL** — Use narrow strips of aluminum foil to shield certain areas of food from overcooking. However, use caution: too much foil can cause arcing and damage the microwave. Always ensure that the foil is kept at least 1 inch (2.54 cm) away from the oven walls and ceiling.
- **CERAMIC, PORCELAIN, AND STONEWARE** — Use if they are labeled "Microwave Safe". If they are not labeled, test them to make sure they can be used safely.
- **PLASTIC** — Use only if labeled "Microwave Safe". Other plastics can melt.

NOT RECOMMENDED

- **GLASS JARS AND BOTTLES** — Glass is too thin and can shatter, causing damage and injury.
- **PAPER BAGS** — Paper bags in the microwave pose a fire hazard. Popcorn bags are an exception and are designed for microwave use.
- **STYROFOAM PLATES AND CUPS** — These may melt and leach chemicals into food.
- **PLASTIC STORAGE AND FOOD CONTAINERS** — Containers such as margarine tubs and takeout containers may warp or melt.
- **METAL UTENSILS** — Metal utensils can damage your oven. Always remove metal before cooking.

Note: Should you wish to check if a dish is safe for microwaving, place the empty dish in the oven and microwave on HIGH for 30 seconds. A dish which becomes very hot should not be used.

SPECIFICATIONS

Power Consumption	120V/60Hz, 1100W(microwave)
Output	700W
Operation Frequency	2450MHz
Outside Dimensions(H x W x D)	10 ⁵ / ₁₆ × 17 ¹³ / ₁₆ × 13 ⁵ / ₈ in.
Oven Capacity	0.7cu.ft.
Net Weight	Approx.23.3lbs

PART NAMES

1. Door Safety Lock System

2. Oven Window

3. Shaft

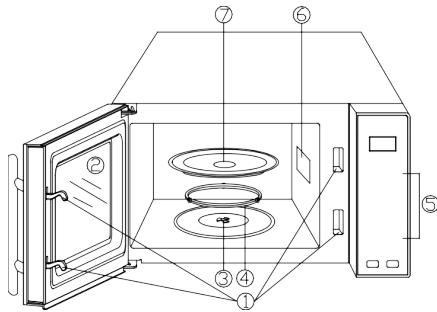
4. Roller Ring

5. Control Panel

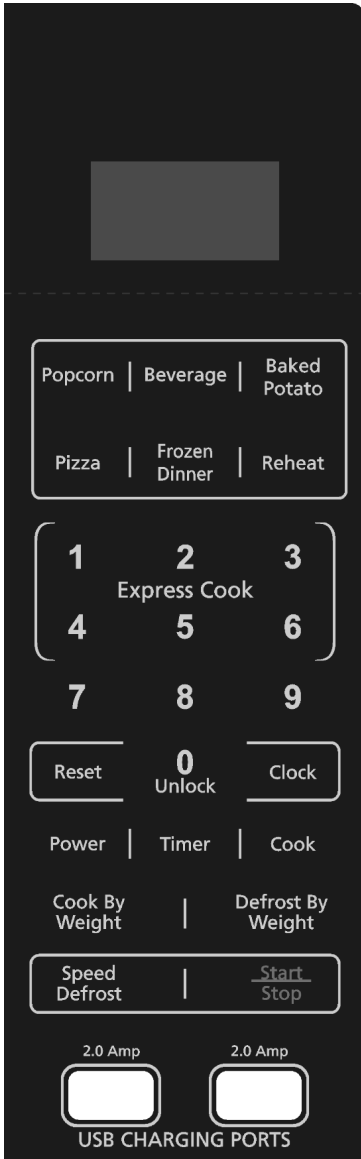
6. Wave Guide

DO NOT remove the mica plate covering the wave guide

7. Glass Tray



CONTROL PANEL



DISPLAY SCREEN

Time, power, and indicators are displayed.

AUTO COOK MENUS

Instant settings to cook common foods.

NUMBER BUTTONS (0-9)

Press number buttons (**1 – 6**) to set express cooking.

Press to set time, food weight, or servings.

Press **0** to set electromagnetic lock.

RESET

Clear all previous settings before cooking.

It is also used to set the child lock function.

CLOCK

Press to set time on the clock.

POWER

Press to select the power level.

TIMER

Press to set timer function.

COOK

Press to set cooking program.

COOK BY WEIGHT

Press to cook food based on weight.

DEFROST BY WEIGHT

Press to defrost food base on weight.

SPEED DEFROST

Press to defrost food base on time.

START/STOP

Press to start and stop cooking process.

2.0 AMP

The microwave oven has two USB interfaces, providing 5V DC power supply, which can be used to charge mobile phones and other devices.

OPERATION INSTRUCTIONS

Initial Power-On:

When the oven is first plugged in, a beep will sound and the display screen will flash: [ENTER], [CLOCK], [TIME] and [:]

1. Press any number to set the clock.
2. Press **CLOCK** to confirm.
3. If you don't need to set the clock, press **RESET** to return to standby mode, the display screen will [**CLOCK**] and [:].

The system will return to standby mode if nothing is pressed within 30 seconds.

During Cooking:

- To pause cooking press, **START/STOP**.
- To resume press, **START/STOP** again.
- To cancel cooking while paused, press **RESET**.

After Cooking Is Complete:

The display will show [End], and the lock will deactivate. A beep will sound every two minutes until a button is pressed or the door is opened. If no action is taken within 30 minutes, the system will return to standby mode.

During operation:

- Press a valid action button and the oven will beep once to confirm.
- Press an invalid button and the oven will beep twice to indicate that the action is not recognized

Power Socket Functionality:

The power socket located behind the cavity will activate or deactivate based on the oven's status:

- When the oven is **powered on but not in use**, the power socket will **activate**
- When the oven is **cooking**, the power socket is **automatically deactivated**.
- If cooking is paused or stopped for three minutes or more, the power socket will reactivate.

DEACTIVATING AND ACTIVATING CHILD SAFETY LOCK

Activate The Child Safety Lock:

To enable the **Child Safety Lock** while in standby mode (when the lock is deactivated):

1. Press and hold **0** for 2 seconds, the display will show [**ULoc**].
2. Press **7**, then press **9**. The display will change to [**Loc**].

After **1 second**, the system will return to standby mode, and the lock will be **activated**.

Deactivate The Child Safety Lock:

To disable the **Child Safety Lock** while in standby mode (when the lock is activated):

1. Press and hold **0** for 2 seconds, the display will show [**Loc**].
2. Press **7** and then press **9**. The display will change to [**ULoc**].

After **1 second**, the system will return to standby mode, and the lock will be **deactivated**.

NOTE:

- If the lock is not set within **10 seconds**, the setup will be unsuccessful, and the system will return to **standby mode**.
- The lock is **enabled by default** and will remain **unchanged after a power outage**.
- When the lock is **deactivated**, the door can be **opened and closed normally**.

HOW DOES THE SAFETY LOCK FUNCTION

Standby Mode:

The oven door can be opened and closed normally.

During Cooking:

- The door is locked and cannot be opened.
- Press **0** or **START/STOP** to unlock and pause cooking.
 - If the door is closed for 10 seconds, the lock will automatically re-engage.
 - If the door remains closed for 30 minutes, it will automatically unlock.
- Press **0** or **START/STOP**, then open the door — the door will remain unlocked until the next cooking session.

Paused Cooking:

- Press **0** or **RESET** to unlock the door.
 - If the door is closed for 10 seconds, the lock will re-engage.
- The door will remain unlocked until the next cooking session.

After Cooking:

- The display will alternate between **[End]** and **[Loc]** every 5 seconds
- The oven will beep every 2 minutes until a button is pressed or the door is opened.
- Press **0** to unlock the door.
 - If the door is not opened within 10 seconds, the lock will re-engage.
 - If the door remains closed for 30 minutes, the lock will disengage.
- Press **0**, then open the door, the lock will remain unlocked until the next cooking session.
- Press **RESET** to unlock, and the display will show the time.
 - If the clock was not set, the display would show **[CLOCK]** [:].
 - If the door remains closed for 10 seconds, the lock will automatically re-engage.
 - If no action is taken within 30 seconds, the display will show **[Loc]**.
 - Opening the door or waiting 30 minutes returns the system to standby mode.

NOTE:

- When the lock is deactivated, pressing **0** in any state will result in an invalid sound.
- When the lock is activated, pressing **0** while the door is closed will trigger the lock action once.

SETTING THE CLOCK

1. In standby mode, press the **CLOCK** button once.
2. Use number buttons to set the correct time.
3. Press **CLOCK** or **START/STOP** button once to confirm.

NOTE: This microwave uses a 12-hour display. While cooking, press **CLOCK** to view the current time.

SETTING THE TIMER

1. In standby mode or while cooking, press **TIMER**.
2. Use the number buttons to set the timer (maximum: 99 minutes and 99 seconds.)
3. Press **START/STOP** to confirm and begin the countdown.

NOTE: When the countdown ends, a buzzer will sound. Press **TIMER** to view the remaining time, it will display for 3 seconds. Press **RESET** to cancel.

EXPRESS COOKING

In standby mode, press a number from 1 to 6 to start cooking for 1 to 6 minutes, respectively, at full power.

MICROWAVE COOKING

1. In standby mode, press **COOK**.
2. Use the number buttons to set the cooking time (maximum: 99 minutes and 99 seconds).
3. Press **POWER** repeatedly to select the desired power level.
4. Press **START/STOP** to begin cooking.

Press POWER button to select power level:

Press POWER button	Power (Display)	Press POWER button	Power (Display)
Once	100% (100)	7 times	40% (40)
Twice	90% (90)	8 times	30% (30)
3 times	80% (80)	9 times	20% (20)
4 times	70% (70)	10 times	10% (10)
5 times	60% (60)	11 times	0% (00)
6 times	50% (50)		

NOTE: While cooking, check the cooking power level by pressing **POWER**.

SPEED DEFROST

1. In standby mode, press **SPEED DEFROST**.
2. Use the number buttons to set the defrosting time (maximum: 99 minutes and 99 seconds).
3. Press **START/STOP** to begin defrosting.

NOTE:

- The oven will pause during defrosting and beep to remind you to turn the food. After turning, close the door and press **START/STOP** to resume.

DEFROST BY WEIGHT

The microwave automatically sets the defrosting time and power level based on the food's weight.

Supported weight range: (4 oz to 64 oz.)

1. In standby mode, press **DEFROST BY WEIGHT**.
2. Use number buttons to enter the weight. First in pounds, then ounces.
3. Press **START/STOP** to begin defrosting.

NOTE: The oven will pause during defrosting and beep to remind you to turn the food. After turning, close the door and press **START/STOP** to resume.

Converting Fractions of a Pound to Ounces:

Fractions of a pound	Ounces
Less than .03	0
.03 to .09	1
.10 to .15	2
.16 to .21	3
.22 to .27	4
.28 to .34	5
.35 to .40	6
.41 to .46	7
.47 to .53	8

Fractions of a pound	Ounces
.54 to .59	9
.60 to .65	10
.66 to .71	11
.72 to .78	12
.79 to .84	13
.85 to .90	14
.91 to .97	15
above .97	go to next even

COOK BY WEIGHT

1. While in standby mode, press **COOK BY WEIGHT**.
2. Use the number buttons (1 - 3) to select the food code.
3. Enter the weight using the number buttons. First in pounds, then ounces.
4. Press **START/STOP** to begin cooking.

Cook by weight code description:

Code	Food	Weight
1	Beef	4 - 96 oz
2	Mutton	4 - 96 oz
3	Pork	4 - 72 oz

NOTE: The system will pause and sound automatically to remind you to turn food over. After turning, close the door and press **START/STOP** to resume.

MULTISTAGE COOKING

Your oven can be programmed for up to 3 automatic cooking sequences.

These can include a combination of Speed Defrost with one or two microwave cooking programs, or two microwave cooking programs. Speed Defrost can only be set as the first stage.

A. Speed Defrost with One or Two Microwave Cooking Programs:

1. Place the food in the oven, then close the door.
2. Press **SPEED DEFROST**.
3. Use the number buttons to set defrosting time.
4. Enter the first microwave cooking program (do not press **START/STOP** yet).
5. Enter the second microwave cooking program.
6. Press **START/STOP** to begin.

NOTE: Step 5 is not necessary if you only need one microwave cooking program.

B. Two-Stage Microwave Cooking Programs:

Some recipes require cooking at different temperatures in two stages.

1. Enter the first microwave cooking program (do not press **START/STOP** yet).
2. Enter the second microwave cooking program.
3. Press **START/STOP** to begin.

AUTO COOK

For the following foods or cooking modes, you don't need to program the cooking time or power. Select the food type and set the weight or servings (except for popcorn).

1. While in standby mode, press the corresponding menu button once.
2. Use the number buttons to set the food weight or servings (skip this step for popcorn).
3. Press **START/STOP** to begin.

Auto Cook Menus:

Food	Press number	Weight/Servings	Note
Popcorn	/	3.5 oz	The results of auto cook may vary based on factors such as the shape and size of the food, your personal preference for doneness, and how the food is positioned in the oven. If the result isn't quite to your liking, feel free to adjust the cooking time as needed.
Potato	1, 2	8 oz, 16 oz	
Pizza	1, 2, 3	6 oz, 11 oz, 16 oz	
Beverage	1, 2, 3	1-3 cups (200 ml/cup)	
Frozen Dinner	1, 2	9 oz, 18 oz	
Reheat	1-7	7 oz-28 oz	

CHILD LOCK

The safety lock prevents unsupervised operation by children.

To set:

1. While in standby mode, press and hold **RESET** for 3 seconds.
2. A beep will sound, and the display screen will show [----] and **[LOCK]** for 3 seconds.
3. The oven will return to standby mode, and the display will show **[LOCK]** indicating the child lock is active.
4. In Child Lock mode, all buttons are disabled. Press any button, the display will show [----] and **[LOCK]** for 3 seconds.

To cancel:

1. Press and hold **RESET** for 3 seconds
2. A beep will sound, and the **[LOCK]** will disappear, deactivating the child lock.

BUTTON ADHESION PROTECTION

If any button on the control panel remains pressed for 1 minute, the program will stop working. A beep will sound, and the display will show **[FAIL]** and switch to **[Loc]** every 5 seconds. If the button remains pressed, a beep will sound every minute. During this time, all buttons are disabled.

After resolving the issue, press the **RESET** to return to standby mode.

CLEANING AND CARE

1. **Turn off the oven and unplug** the power cord from the wall when cleaning.
2. **Keep the inside of the oven clean.** Wipe food splatters or spilled liquids off the oven walls with a damp cloth. Mild detergents may be used for stubborn dirt. Avoid harsh cleaners or sprays. They can damage or stain the door surface.
3. **The outside of the oven should be cleaned with a damp cloth.** To prevent damage to the operating parts inside the oven, water should not be allowed to seep into the ventilation openings.
4. **Wipe the door and window on both sides.** Wipe the door, window, seals, and adjacent areas frequently with a damp cloth. Do not use abrasive cleaner.
5. **Keep the control panel dry.** Clean with a soft, damp cloth. Leave oven door open to prevent the oven from accidentally turning on.
6. **If steam gathers on the door,** wipe with a soft cloth. This is normal, especially in high-humidity conditions.
7. **Remove the glass tray periodically** and clean it with warm soapy water or in a dishwasher.
8. **Clean the roller ring and oven floor regularly to reduce noise.** Wash the roller ring in mild, soapy water or a dishwasher. Reinstall the roller ring properly after cleaning.
9. **To eliminate odors,** microwave a cup of water with lemon juice and it's peel for 5 minutes. Wipe the interior and dry with a soft cloth.
10. **If the light bulb burns out,** please contact customer service to have it replaced.
11. **Clean the oven regularly and remove food deposits** to maintain performance and extend the unit's life. Failure to do so could lead to surface deterioration and safety issues.
12. **Do not dispose of this appliance with household waste.** Please take it to a designated disposal center.

LIMITED WARRANTY

90- DAY LIMITED WARRANTY

Within the 48 contiguous United States, for 90 days from the date of purchase, when this appliance is operated and maintained according to instructions attached to or furnished with the product, warrantor will pay for factory-specified parts and repair labor to correct defects in materials or workmanship. Service must be provided by a designated service company. Outside the 48 states, all parts are warranted for 90 days from manufacturing defects. Plastic parts, shelves and cabinets are warranted to be manufactured to commercially acceptable standards and are not covered from damage during handling or breakage.

ITEMS WARRANTOR WILL NOT PAY FOR:

1. Service calls to correct the installation of your appliance, to instruct you how to use your appliance, to replace or repair fuses or to correct wiring or plumbing.
2. Service calls to repair or replace appliance light bulbs or broken shelves. Consumable parts (such as filters) are excluded from warranty coverage.
3. Damage resulting from accident, alteration, misuse, abuse, fire, flood, acts of God, improper installation, installation not in accordance with electrical or plumbing codes, or use of products not approved by warrantor.
4. Replacement parts or repair labor costs for units operated outside the United States.
5. Repairs to parts or systems resulting from unauthorized modifications made to the appliance.
6. The removal and reinstallation of your appliance if it is installed in an inaccessible location or is not installed in accordance with published installation instructions.

DISCLAIMER OF IMPLIED WARRANTIES; LIMITATION OF REMEDIES

CUSTOMER'S SOLE AND EXCLUSIVE REMEDY UNDER THIS LIMITED WARRANTY SHALL BE PRODUCT REPAIR AS PROVIDED HEREIN. IMPLIED WARRANTIES, INCLUDING WARRANTIES OF MERCHANTABILITY OR FITNESS FOR A PARTICULAR PURPOSE, ARE LIMITED TO 90 DAYS. WARRANTOR SHALL NOT BE LIABLE FOR INCIDENTAL OR CONSEQUENTIAL DAMAGES. SOME STATES DO NOT ALLOW THE EXCLUSION OR LIMITATION OF INCIDENTAL OR CONSEQUENTIAL DAMAGES, OR LIMITATIONS ON THE DURATION OF IMPLIED WARRANTIES OF MERCHANTABILITY OR FITNESS, SO THESE EXCLUSIONS OR LIMITATIONS MAY NOT APPLY TO YOU. THIS WARRANTY GIVES YOU SPECIFIC LEGAL RIGHTS AND YOU MAY ALSO HAVE OTHER RIGHTS, WHICH VARY FROM STATE TO STATE.



WARNING: This product can expose you to chemicals including Nickel (Metallic) which is known to the State of California to cause cancer.

For more information go to www.P65Warnings.ca.gov

Note: Nickel is a component in all stainless steel and some other metallic compositions.

If you experience any issues with your appliance, please contact our Customer Service facility at **800-932-4267 (Ext. 513)** between 9:00 AM and 5:00 PM ET or visit our website summitappliance.com/support at any time. We will do our best to answer your questions.

Felix Storch, Inc.
An ISO 9001:2015 registered company
770 Garrison Ave
Bronx, New York 10474
www.summitappliance.com

SUMMIT®

For parts and accessory ordering,
troubleshooting, and helpful hints, visit:
www.summitappliance.com/support

Revised May 2025