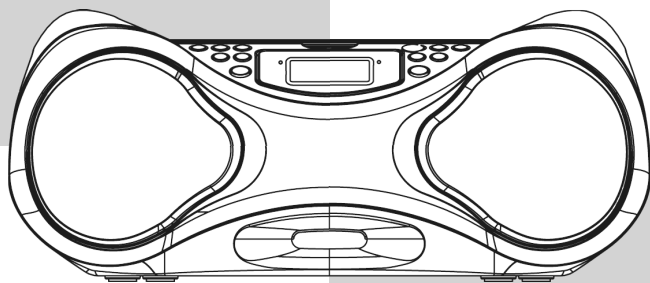


SENCOR®

SPT-22ST



USER'S MANUAL

NÁVOD K OBSLUZE

NÁVOD NA OBSLUHU

FELHASZNÁLÓI KÉZIKÖNYV

INSTRUKCJA OBSŁUGI

**CD/MP3 DISC PLAYER WITH PLL FM RADIO
AND USB READER**

**PŘEHRÁVAČ DISKŮ CD/MP3
S PLL FM RÁDIEM A USB**

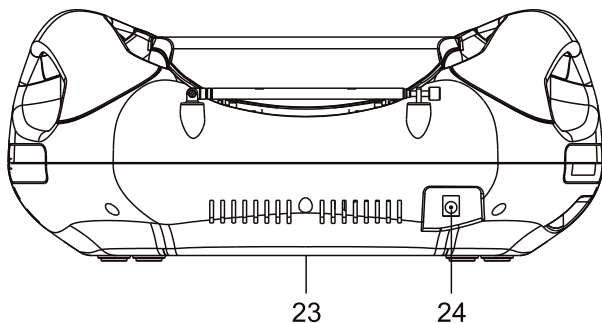
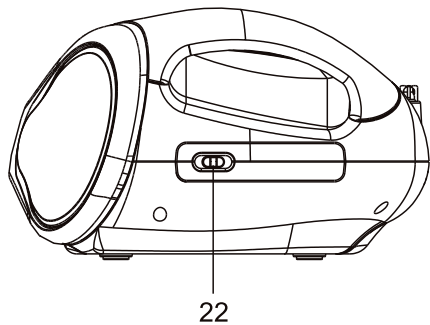
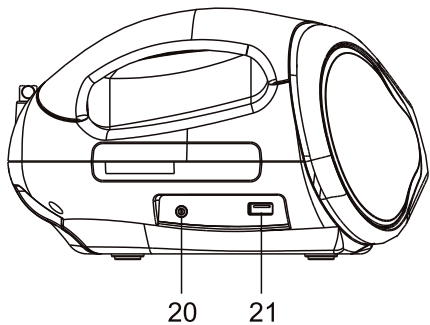
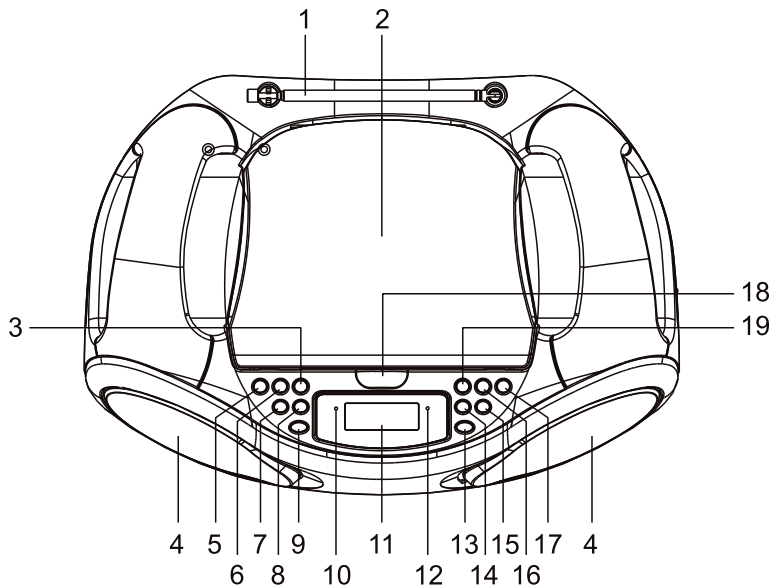
**PREHRÁVAČ DISKOV CD/MP3
S PLL FM RÁDIOM A USB**

**CD/MP3 LEJÁTSZÓ PLL-LEL,
FM RÁDIÓVAL ÉS USB-VEL**

**ODTWARZACZ DYSKÓW CD/MP3
Z RÁDIEM PLL FM I USB**

EN CZ SK HU PL

OVERVIEW OF THE PLAYER



1. FM TELESCOPIC ANTENNA
2. CD DOOR
3. REP/PROG BUTTON
4. SPEAKERS
5. CH- BUTTON
6. CH+ BUTTON
7. PREVIOUS/TUN- BUTTON
8. TUN+/NEXT BUTTON
9. FUNCTION BUTTON
10. STANDBY INDICATOR
11. LCD DISPLAY
12. FM ST INDICATOR
13. STANDBY BUTTON
14. VOL- BUTTON
15. VOL+ BUTTON
16. STOP BUTTON
17. PLAY/PAUSE & FM ST/MONO BUTTON
18. CD DOOR OPEN AREA
19. 10+/FOLDER+ BUTTON
20. AUX IN JACK
21. USB PORT
22. POWER ON/OFF SWITCH
23. BATTERY COMPARTMENT
24. DC IN JACK

POWER SUPPLY

BATTERY OPERATION

1. Remove the battery compartment cover gently.
2. Install 8 x 'C' size batteries (UM-2 or equivalent) while observing the correct polarities.
3. Replace the battery compartment cover.

NOTE:

- The AC/DC adapter must be detached from the DC IN jack of the player for battery operation.
- Leaking batteries may damage the battery cabinet and the player as a whole, so they should be removed from the cabinet when becoming flat or when the player is not to be played on batteries for some time.

DC INPUT OPERATION

Plug the supplied AC/DC adapter to the DC IN jack on the unit and the main power.

TURN ON/OFF THE UNIT

1. Before operation, make sure the POWER switch on the side of the unit is set to ON position.
2. Press the STANDBY button to switch on the unit to the mode you operated last time. Press the FUNCTION button repeatedly to cycle through FM/AUX/CD/USB modes.
3. Press the STANDBY button to turn off the unit.
4. To cut off the power, slide the POWER switch to OFF position.

NOTE:

- If not any audio signal inputs to the unit in about 15 minutes, the unit will enter standby mode automatically.

FM RADIO

TUNING THE FM RADIO

1. Press the STANDBY button to turn on the unit (the STANDBY indicator will go out).
2. If necessary, press the FUNCTION button repeatedly to switch the unit to FM radio mode.
3. To launch the auto-searching, press and hold the TUN+/NEXT button or PREVIOUS/TUN- button several seconds and then release. When a station is found the unit will stop auto-searching and start broadcasting.
4. Press the TUN+/NEXT button or PREVIOUS/TUN- button to tune the radio stations manually.
5. Adjust the volume level to a comfortable listening level by pressing the VOL +/- buttons.
6. Fully extend the FM telescopic antenna and adjust its direction for the best reception.
7. The FM ST indicator will light up if a stereo radio station is broadcast. Press the FM ST/MONO button to switch between FM stereo and mono.

STORING YOUR FAVORITE RADIO STATION

1. Tune to your favorite station first and press the REP/PROG button. A memory cell number will flash on the screen.
2. Use the CH +/- button to select a memory cell among P01-P20.
3. Confirm your selection by pressing the REP/PROG button.
4. During radio broadcasting, press the CH +/- button repeatedly to recall the preset stations.

HANDLING AND MAINTENANCE OF A DISC

Follow the instructions below to handle and maintain your disc in order that long time and trouble free performance can possibly be obtained:

- Ensure not to caress the rain bow side of the disc; handle the disc by the edge.
- Long time exposure to sunshine, high temperatures and humidity will damage the disc. And keep storage area clean.
- Avoid sticking labels on both sides of a disc. Writing with pointed articles on the disc should be strictly avoided.
- Clean the disc wiping the centre and then working out to the edge with a dry & soft cloth or a disc brush. Avoid any cleansing lotion or chemical eradicator.
- Store them in their cases when they are not to be used.



HANDLE DISC ONLY AS SHOWN



CLEAN FROM CENTER TO EDGE



DO NOT STORE NEAR HEAT

PLAY A DISC (CD/MP3)

1. Open the CD door by the Door open area. Load a disc on the disc tray with the label side facing up. Close the CD door.
2. Press the STANDBY button to turn on the unit (the standby indicator will go out).
3. If necessary, press the FUNCTION button repeatedly to switch to CD mode.
4. The player begins reading disc immediately. "no" will show on the display if the disc cannot be read successfully.

5. When the disc is successfully read, the total track number will show on the display. Press the PLAY/PAUSE button to start playback from the first track. The current track number will show on the display.
6. During playback, press the PLAY/PAUSE button once to halt music playback, the playing icon will flash on the display; press this button again to resume normal playback.
7. Press the STOP button to cease music playback.

EXTERNAL MEMORY MEDIA OPERATION (USB)

1. Press the STANDBY button to turn on the unit (the standby indicator will go out).
2. Insert an USB to the USB port.
3. If necessary, press the FUNCTION button repeatedly to switch to USB mode.
4. When the inserted USB is detected and read, the total track number will show on the display. Press the PLAY/PAUSE button to start playback from the first track.
5. Press the PLAY/PAUSE button to pause or resume the playback.
6. Press the STOP button to cease the playback.

SKIP TRACKS AND SEARCH FOR A SPECIFIC POINT TO PLAY (CD/MP3/USB)

1. Press once the TUN+/NEXT button in music play to skip to the next track; press once the PREVIOUS/TUN- button in music play to go back to the beginning of the current track, press this button twice continuously to skip to the previous track.
2. Press and hold the TUN+/NEXT button or the PREVIOUS/TUN- button in music play to search forward or backward at quick rate for a specific point to play.
3. Press the 10+/FOLDER+ button once in play to skip 10 tracks ahead, twice to skip 20 tracks ahead. You can reach the last track of the disc/USB using this button.
4. During MP3 disc or USB playback, press and hold the 10+/FOLDER+ button for a while and then release to skip to the next folder, repeat this operation to skip to your desired folder.

REPEAT PLAYBACK (CD/MP3 DISC/USB)

During playback, press the REP/PROG button repeatedly to cycle through the following functions: repeat a single track, repeat a folder, repeat all tracks, exit repeat play mode. Repeating folder is only for MP3 disc/USB.

PROGRAMMED PLAY (CD/MP3 DISC/USB)

1. In stop mode, press the REP/PROG button, a program sequence indication "P01" shows for a while and then change to show a track number with "PROG" flashing on the display.
2. Select the first track to be programmed using the TUN+/NEXT button, PREVIOUS/TUN- button or the 10+/FOLDER+ button, and then press the REP/PROG button again to store and advance to the next programming step.
3. Repeat the above steps to program up to 20 tracks for CD and 99 tracks for MP3 disc/USB in memory in a preferred order. "FUL" will show on the display if the memory is full.
4. Press the PLAY/PAUSE button to start programmed play after you finish programming.
5. You may press the STOP button to terminate programmed playback.
6. In program stop mode, press the PLAY/PAUSE button to start playing the tracks programmed previously; if press the STOP button again will clear the programming.

AUX IN

1. Connect the AUX IN jack on the unit to an audio source, for example, MP3 player with an audio cable.
2. Power on the unit following the corresponding instructions.
3. If necessary, press the FUNCTION button repeatedly to switch to AUX mode.
4. Use the native controls on the connected audio device to begin playing music through the connected unit.

IMPORTANT SAFETY INSTRUCTIONS

- The apparatus shall not be exposed to dripping or splashing and that no objects filled with liquids, such as vases, shall be placed on the apparatus.
- When the AC/DC adapter is used as the disconnect device, the disconnect device shall remain readily operable. To be completely disconnected the power input, the AC/DC adapter shall be disconnected from the mains completely.
- No naked flame sources, such as lighted candles, should be placed on the apparatus.
- Minimum distances 2.0cm around the apparatus for sufficient ventilation. The ventilation should not be impeded by covering the ventilation openings with items, such as newspapers, table-cloths, curtains, etc.
- The use of apparatus is in tropical and/or moderate climates.
- Attention should be drawn to the environmental aspects of battery disposal.
- CAUTION: Danger of explosion if battery is incorrectly replaced. Replace only with the same or equivalent type.
- Battery shall not be exposed to excessive heat such as sunshine, fire or the like.
- The marking plate is located at the bottom of the apparatus.

TROUBLESHOOTING

If a fault occurs, first check the points listed below before taking the set for repair. If you are unable to remedy a problem by following these hints, consult you dealer or service center.

WARNING:

- Under no circumstances should you try to repair the set yourself, as this would invalidate the guarantee.

PROBLEM	POSSIBLE CAUSE	REMEDY
No sound in general	<ol style="list-style-type: none"> 1. Volume not adjusted. 2. AC/DC adaptor is not correctly connected. 3. Batteries have run down when the unit is under DC operation. 	<ol style="list-style-type: none"> 1. Press the VOL+ or VOL- button to adjust the volume. 2. Connect the AC/DC adaptor to mains supply and the DC IN jack on the back of the unit properly. 3. Replace the exhausted batteries with new ones.
The unit does reset to operation of any button	Under the influence of electrostatic phenomenon, the product may malfunction and require user to disconnect.	Turn off the unit, disconnect the adaptor plug, and reconnect after a few seconds.
Radio poor reception	<ol style="list-style-type: none"> 1. Weak radio aerial signal. 2. Interference caused by the vicinity of electrical equipment like TVs, video recorders, computer, thermostats, fluorescent lamps (TL) engines etc. 	<ol style="list-style-type: none"> 1. Fully extend the telescopic antenna and adjust its direction for best reception. 2. Keep the unit away from electrical equipment.
CD cannot read	<ol style="list-style-type: none"> 1. The disc is dirty. 2. The disc is upside down. 3. The CD player is in Pause mode. 	<ol style="list-style-type: none"> 1. Clean or replace the disc. 2. Turn it over so that the label is face up. 3. Release the Pause mode by pressing the Play/Pause button.
No sound in USB mode	<ol style="list-style-type: none"> 1. Volume at minimum. 2. External device not connected properly. 	<ol style="list-style-type: none"> 1. Press the VOL+ or VOL- button to adjust the volume. 2. Clear contact pins and connect again.
No sound at AUX mode.	<ol style="list-style-type: none"> 1. The unit is not connected to the external appliance properly. 2. Volume at minimum. 	<ol style="list-style-type: none"> 1. Follow the manual to reconnect the audio appliance to the unit. 2. Adjust the volume of the unit and the external appliance to a proper level.

TECHNICAL SPECIFICATIONS

GENERAL

Power Supply	DC IN 12V 1A (from the external adaptor) / AC 100-240V~50/60Hz
Battery size	UM-2 or C-size x 8 pcs (batteries not supplied)
Power consumption in working mode	12 W
Standby power consumption	< 0.5W
Power Output	2 x 1.8W @10% THD
Speaker impedance	4 Ohms
Auxiliary Input	3.5 mm
Operation temperature	+5°C ~ + 35°C
Dimensions (H × W ×D)	Approx. (L) 323mm x (D) 228mm x (H) 133.1mm
Net Weight	1.332 kg

RADIO SECTION

Band	FM STEREO/MONO
Tuning range	FM: 87.5 – 108MHz
Digital PLL Tuner	up to 20 preset stations

CD PLAYER SECTION

Playback system	Compact Disc Digital Audio System
Programmable tracks	up to 20 in CD and 99 in MP3 disc

IMPORTANT:

Due to continual revision and improvement on our products design, specifications are subject to change without further notice.

INSTRUCTIONS AND INFORMATION REGARDING THE DISPOSAL OF USED PACKAGING MATERIALS

Dispose of packaging material at a public waste disposal site.

DISPOSAL OF USED ELECTRICAL AND ELECTRONIC APPLIANCES



The meaning of the symbol on the product, its accessory or packaging indicates that this product shall not be treated as household waste. Please, dispose of this product at your applicable collection point for the recycling of electrical & electronic equipment waste. Alternatively in some states of the European Union or other European states you may return your products to your local retailer when buying an equivalent new product. The correct disposal of this product will help save valuable natural resources and help in preventing the potential negative impact on the environment and human health, which could be caused as a result of improper liquidation of waste. Please ask your local authorities or the nearest waste collection centre for further details. The improper disposal of this type of waste may fall subject to national regulations for fines.

For business entities in the European Union

If you wish to dispose of an electrical or electronic device, request the necessary information from your seller or supplier.

Disposal in other countries outside the European Union

If you wish to dispose of this product, request the necessary information about the correct disposal method from local government departments or from your seller.



This product meets all the basic EU regulation requirements that relate to it.

Changes to the text, design and technical specifications may occur without prior notice and we reserve the right to make these changes.

SENCOR®

EN Warranty conditions

Warranty card is not a part of the device packaging.

This product is warranted for the period of 24 months from the date of purchase to the end-user. Warranty is limited to the following conditions. Warranty is referred only to the customer goods using for common domestic use. The claim for service can be applied either at dealer's shop where the product was bought, or at below mentioned authorized service shops. The end-user is obligated to set up a claim immediately when the defects appeared but only till the end of warranty period. The end user is obligated to cooperate to certify the claiming defects. Only completed and clean (according to hygienic standards) product will be accepted. In case of eligible warranty claim the warranty period will be prolonged by the period from the date of claim application till the date of taking over the product by end-user, or the date the end-user is obligated to take it over. To obtain the service under this warranty, end-user is obligated to certify his claim with duly completed following documents: receipt, certificate of warranty, certificate of installation.

This warranty is void especially if apply as follows:

- Defects which were put on sale.
- Wear-out or damage caused by common use.
- The product was damaged by unprofessional or wrong installation, used in contrary to the applicable instruction manual, used in contrary to legal enactment and common process of use or used for another purpose which has been designed for.
- The product was damaged by uncared-for or insufficient maintenance.
- The product was damaged by dirt, accident of force majeure (natural disaster, fire, and flood).
- Defects on functionality caused by low duality of signal, electromagnetic field interference etc.
- The product was mechanically damaged (e.g. broken button, fall).
- Damage caused by use of unsuitable media, fillings, expendable supplies (batteries) or by unsuitable working conditions (e.g. high temperatures, high humidity, quakes).
- Repair, modification or other failure action to the product by unauthorized person.
- End-user did not prove enough his right to claim (time and place of purchase).
- Data on presented documents differs from data on products.
- Cases when the claiming product cannot be indentified according to the presented documents (e.g. the serial number or the warranty seal has been damaged).

Authorized service centers

Visit www.sencor.eu for detailed information about authorized service centers.