

Hisense

User and Installation Manual Microwave Oven



Model: H25MOBS15F

Before installing or using the appliance, please read the manual carefully, and keep it for future reference.

Table of Contents

PRECAUTIONS TO AVOID POSSIBLE EXPOSURE TO EXCESSIVE MICROWAVE ENERGY	4
IMPORTANT SAFETY INSTRUCTIONS	5
INSTALLATION	15
CLEANING	16
PRODUCT INSTRUCTIONS.....	18
CONTROL PANEL	19
UTENSILS GUIDELINE.....	30
COOKING TIPS	31
MAINTENANCE INSTRUCTIONS.....	32

PRECAUTIONS TO AVOID POSSIBLE EXPOSURE TO EXCESSIVE MICROWAVE ENERGY

- (a) Do not attempt to operate this oven with the door open, open-door operation can result in harmful exposure to microwave energy.
It is important not to defeat or tamper with the safety interlocks.
- (b) Do not place any object between the oven front face and the door or allow soil or cleaner residue to accumulate on sealing surfaces.
- (c) Do not operate the oven if it is damaged. It is particularly important that the oven door is closed properly and that there is no damage to the:
 - (1) DOOR (bent)
 - (2) HINGES AND LATCHES (broken or loosened)
 - (3) DOOR SEALS AND SEALING SURFACES
- (d) The oven should not be adjusted or repaired by anyone except properly qualified service personnel.

Product Specification

Model Number	H25MOBS15F
Rate Voltage	120V~ 60Hz
Power Consumption (Microwave)	1350W
Rated Microwave Power Output	900W
Operating Frequency	2450MHz
Oven Capacity	0.9 Cu. Ft.

IMPORTANT SAFETY INSTRUCTIONS

WARNING– To reduce the risk of burns, electric shock, fire, injury to persons, or exposure to excessive microwave energy.

When using electrical appliances basic safety precautions should be followed, including the following:

1. Read all instructions before using the appliance.
2. Read and follow the specific "PRECAUTIONS TO AVOID POSSIBLE EXPOSURE TO EXCESSIVE MICROWAVE ENERGY" found on page 11.
3. This appliance must be grounded. Connect only to properly grounded outlet. See "GROUNDING INSTRUCTIONS" found on page 13.
4. Install this appliance only in accordance with the provided installation instructions.
5. Some products such as whole eggs and sealed containers –for example, closed glass jars –could explode and should not be heated in this oven.
6. Use this appliance only for its intended use as described in this manual. Do not use corrosive chemicals or vapors in this appliance. This type of oven is specifically designed to heat, cook, or dry food. It is not designed for industrial or laboratory use.
7. **HOT CONTENTS CAN CAUSE SEVERE BURNS. DO NOT ALLOW CHILDREN TO USE THE MICROWAVE.** Use caution when removing hot items.
8. Do not operate this appliance if it has a damaged power cord or plug, if it is not working properly, or if it has been damaged or dropped.
9. This appliance should be serviced only by qualified service personnel. Contact nearest authorized service facility for inspection, repair, or adjustment.

10. Do not cover or block any openings on the appliance.
11. Do not store this appliance outdoors. this product – for example, near a kitchen sink, in a wet basement, near a swimming pool, or similar locations.
12. Do not immerse cord or plug in water.
13. Keep cord away from heated surfaces.
14. Do not let cord hang over edge of table or counter.
15. When cleaning surfaces of door and oven that, use only mild, nonabrasive soaps, or detergents applied with a sponge or soft cloth.
16. To reduce the risk of fire in the oven cavity:
 - a. Do not overcook food. Carefully monitor the appliance when paper, plastic, or other combustible materials are placed inside the oven to facilitate cooking.
 - b. Remove wire twist-ties from paper or plastic bags before placing bag in oven.
 - c. If materials inside the oven ignite, keep oven door closed, turn oven off, and disconnect the power cord, or shut off power at the fuse or circuit breaker panel.
 - d. Do not use the cavity for storage purposes. Do not leave paper products, cooking utensils, or food in the cavity when not in use.
17. Liquids, such as water, coffee, or tea can be overheated beyond the boiling point without appearing to be boiling. Visible bubbling or boiling when the container is removed from the microwave oven is not always present.
THIS COULD RESULT IN VERY HOT LIQUIDS SUDDENLY BOILING OVER WHEN THE CONTAINER IS DISTURBED OR A UTENSIL IS INSERTED INTO THE LIQUID.
18. Notice for extension cord:
 - a. A short power-supply cord is provided to reduce the risks resulting from becoming entangled in or tripping over a longer cord.
 - b. Longer cord sets or extension cords are available and may be used if care is exercised in their use.

c. If a long cord or extension cord is used:

1) The marked electrical rating of the cord set or extension cord should be at least as great as the electrical rating of the appliances.

2) The extension cord must be a grounding-type 3-wire cord; and

3) The longer cord should be arranged so that it does not drape over the countertop or tabletop where it can not be pulled on by children or tripped over unintentionally.

The following basic precautions should always be followed when using electrical appliances:

1. Read all instructions before using.

2. Make sure the voltage in your living area corresponds to the one shown on the rating label of the appliance, and the wall socket is properly grounded.

3. To reduce the risk of fire in the oven cavity:

a. Do not overcook the food.

b. Remove wire twist-ties from paper or plastic bags before placing bags in the oven.

c. Do not heat oil or fat for deep frying as the temperature of oil cannot be controlled.

d. After use, wipe the waveguide cover with a damp cloth followed by a dry cloth to remove any food splashes and grease. Built-up grease may overheat and begin to cause smoke or catch fire.

e. If materials inside the oven should smoke or ignite, keep oven door closed, turn oven off and disconnect the power supply.

f. Close supervision is necessary when using disposable containers made from plastic, paper or other combustible material.

4. To reduce the risk of explosion and sudden boiling:
 - a. Do not place sealed containers in the oven Baby bottles fitted with a screw cap or that are considered sealed containers.
 - b. When boiling liquid in the oven, use wide-mouth microwave-safe container and stand about 20 seconds at the end of cooking to avoid delayed eruptive boiling of liquids.
 - c. Potatoes, sausages and chestnuts should be peeled or pierced before cooking. Eggs in their shell and whole hard-boiled eggs should not be heated in microwave oven since they may explode, even after microwave heating has ended.
 - d. Heated liquid should not be removed immediately. Wait several moments before removing to avoid eruptive boiling of liquids.
 - e. To prevent burns, always stir or shake baby bottles and food jars, then check the temperature before consumption.
5. Never operate the oven if the door or door seal is damaged, the oven is malfunctioning, or supply cord is damaged. Return the appliance to the nearest authorized service center for repair and maintenance. Never try to adjust or repair the oven yourself.
6. If the supply cord is damaged, it must be replaced by the manufacturer or its service agent or a qualified technician in order to avoid a shock hazard.
7. After cooking, containers may be very hot. Wear heat-resistant gloves when removing food. Direct steam away from the face and hands to prevent burns.

8. Slowly lift the edge of the dish cover or microwave plastic wrap furthest from you. Carefully open popcorn bag facing away from your face.
9. Make sure the utensils do not touch the interior walls during cooking.
10. Failure to maintain the oven in a clean condition could lead to deterioration of the surface; this could adversely affect the appliance's service life and may result in a hazardous situation.
11. Only use utensils that are suitable for use in microwave ovens.
12. Do not store food or any other things inside the oven.
13. Do not operate the oven without any liquid or food inside the oven. This may damage the oven.
14. This appliance is not intended for use by persons (including children) with reduced physical, sensory, or mental capabilities, unless they have been given supervision or instruction
15. When operating the appliance in combination mode, children should only use the oven under adult supervision due to the temperatures generated.
16. Any accessories not recommended by the manufacturer may cause injuries to persons.
17. Do not use outdoors.
18. Save these instructions.
19. **WARNING:** If the door or door seals are damaged, the oven must not be operated until it has been repaired by a service technician.
20. **WARNING:** It is hazardous for anyone other than a competent person to carry out any service or repair operation that involves the removal of a cover which gives protection against exposure to microwave energy.
21. **WARNING:** Liquids and other foods must not be heated in a sealed container since they are liable to explode.

22. **WARNING:** Only allow children to use the oven without supervision when adequate instructions have been given so that the child is able to use the oven in a safe way and understands the hazards of improper use.
23. Only use utensils that are suitable for use in microwave ovens.
24. When heating food in plastic or paper containers, keep an eye on the oven due to the possibility of ignition.
25. If smoke is observed, switch off or unplug the appliance and keep the door closed in order to stifle any flames.
26. Microwave heating of beverages can result in delayed eruptive boiling; therefore, care must be taken when handling the container.
27. The contents of feeding bottles and baby food jars shall be stirred or shaken and the temperature checked before consumption, in order to avoid burns.
28. Eggs in their shell and whole hard-boiled eggs should not be heated in microwave ovens since they may explode, even after microwave heating has ended.
29. Clean the oven regularly and ensure all food debris is removed.
30. Failure to maintain the oven in a clean condition could lead to deterioration of the surface that could adversely affect the life of the appliance and possibly result in a hazardous situation.
31. During use the appliance becomes hot. Care should be taken to avoid touching heating elements inside the oven.
32. **WARNING:** Accessible parts may become hot during use; young children should be kept away.
33. Avoid harsh abrasives or sharp metal scrapers on the door glass, as surface scratches can lead to the glass shattering.

34. This appliance is not intended for use by persons (including children) with reduced physical, sensory or mental capabilities, or lack of experience and knowledge, unless they have been given supervision or instruction concerning use of the appliance by a person responsible for their safety.

35. Children should be supervised to ensure that they do not play with the appliance.

36. The appliances are not intended to be operated by means of an external timer or separate remote-control system.

37. The temperature of accessible surfaces may be high while the appliance is operating.



CAUTION: HOT SURFACE

38. This device complies with Part 18 of the FCC Rules.

PRECAUTIONS TO AVOID POSSIBLE EXPOSURE TO EXCESSIVE MICROWAVE ENERGY

(a) Do not attempt to operate this oven with the door open since open-door operation can result in harmful exposure to microwave energy. It is important not to defeat or tamper with the safety interlocks.

(b) Do not place any object between the oven front face and the door or allow soil or cleaner residue to accumulate on sealing surfaces.

(c) Do not operate the oven if it is damaged. It is particularly important that the oven door closes properly and that there is no damage to the: (1) door (bent), (2) hinges and latches (broken or loosened), (3) door seals and sealing surfaces.

(d) The oven should not be adjusted or repaired by anyone except properly qualified service personnel.

(1) As with any appliance, close supervision is necessary when used by children.

(2) If materials inside the oven should ignite, keep oven door closed, turn oven off, disconnect the power cord, or shut off power at the fuse or circuit breakerpanel.

(3) Information as to where qualified service may be obtained is available via our Call Center.

PRECAUTIONS TO BE OBSERVED BEFORE AND DURING SERVICING TO AVOID POSSIBLE EXPOSURE TO EXCESSIVE MICROWAVE ENERGY

(a) Do not operate or allow the oven to be operated withthe door open.

(b) Make the following safety checks on all ovens to be serviced before activating the magnetron or other microwave source, and make repairs as necessary: (1) interlock operation, (2) proper door closing, (3) seal and sealing surfaces (arcing, wear, and other damage), (4) damage to or loosening of hinges and latches, (5) evidence of dropping or abuse.

(c) Before turning on microwave power for any service test, inspect within the microwave generating compartments,check the magnetron, wave guide or transmission line, and cavity for proper alignment, integrity, and connection.

(d) Any defective or misadjusted components in the interlock monitor, door seal, and microwave generation and transmission systems shall be repaired, replaced, or adjusted by procedures described in this manual before the oven is released to the owner.

(e) Each oven must pass a microwave leakage check against Federal Performance Standards before it is released to the owner.

Switch and Fuse replacement Marking

WARNING - For continued protection against excessive radiation emission, replace only with

- 1) Primary Switch:V-J、 KW3A
- 2) Secondary Switch:V-J、 KW3A
- 3) Monitor Switch:V-J、 KW3A
- 4) Fuses:20A 250V

GROUNDING INSTRUCTIONS

This appliance must be grounded. It is equipped with a power cord featuring a grounding wire and a grounding plug. The plug must be connected to a wall outlet that is properly installed and grounded in accordance with all local codes and ordinances.

WARNING – An improperly grounded appliance can result in a risk of electric shock. Consult a qualified electrician or serviceman if the grounding instructions are not completely understood, or if doubt exists as to whether the appliance is properly grounded, and either:

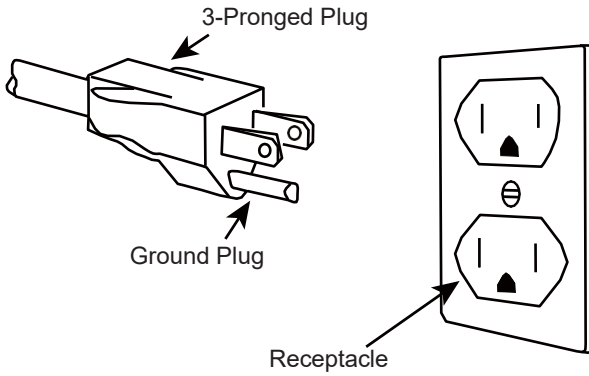
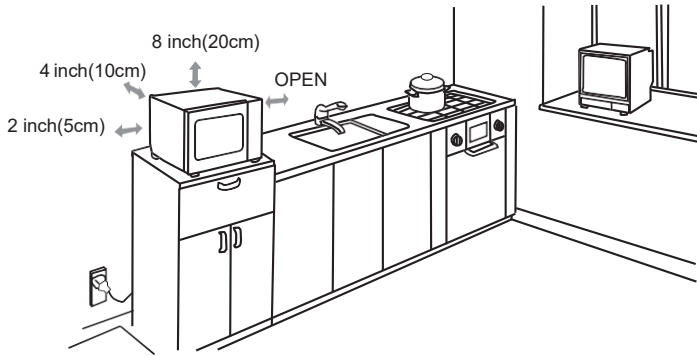
- 1) If it is necessary to use an extension cord, use only a 3-wire extension cord that has a 3-blade grounding plug, and a 3-slot receptacle that will accept the plug on the appliance. The marked rating of the extension cord shall be equal to or greater than the electrical rating of the appliance, or
- 2) Do not use an extension cord. If the power supply cord is too short, have a qualified electrician or serviceman install an outlet near the appliance.

For permanently connected appliances: GROUNDING INSTRUCTIONS

This appliance must be connected to a grounded, metallic, permanent wiring, system, or an equipment grounding conductor should be run with the circuit conductors and connected to the equipment grounding terminal or lead on the appliance.

INSTALLATION

1. Remove all the packing. If there is a safety film on the oven, remove it before use. Check carefully for damage. If any, immediately notify dealer or send to the manufacturer's service center.
2. Microwave ovens must be placed under dry and non-corrosive environments, kept away from heat and humidity, such as gas burners or water tanks.
3. To ensure sufficient ventilation, the distance of the back microwave to the wall should be at least 4 inches, the side to the wall should be at least 2 inches, the free distance above the top surface at least 8 inches. The height of the microwave to the ground should be at least 916mm.
4. The position of the oven shall be such that it is far from the TV, Radio or antenna as picture disturbance, or noise may occur.
5. The appliance must be positioned so that the plug is accessible and must ensure a good grounding. In case of leakage, ground loop can be formed to avoid electric shock.
6. The microwave oven must be operated with the door closed.
7. The microwave oven shall not be placed in a cabinet.
8. The back of the oven must be placed against a wall.
9. During the initial operation, you may notice a slight odor or a small amount of smoke. This is normal and is caused by manufacturing residue or oil on the oven cavity and heating elements. This will disappear after several uses.



CLEANING

MICROWAVE OVEN CARE

WARNING

The oven should be cleaned regularly and any food deposits removed.

WARNING

1. It is hazardous for anyone other than a competent person to carry out any service or repair operation that involves the removal of a cover which gives protection against exposure to microwave energy
2. Remove the power cord from the wall outlet before cleaning
3. Failure to maintain the oven in a clean condition could lead to deterioration of the surface that could adversely affect the life of the appliance and possibly result in a hazardous situation
4. The oven should be cleaned regularly and any food deposits removed
5. Never use hard detergent, gasoline, abrasive powder or metal brush to clean any part of the appliance
6. Do not remove the waveguide cover
7. When the microwave oven has been used for a long time there may be some strange odors in oven, following 3 methods can get rid of them:
 - a) Place several lemon slices in a cup, then heat with high power for 2-3 min.
 - b) Place a cup of red tea in oven, then heat with high power for 1 minute.
 - c) Put some orange peel into oven, and then heat them with high power for 1 minute.
8. Details for cleaning door seals, cavities and adjacent parts.

Cleaning Tips

Exterior:

Wipe the enclosure with a soft, damp cloth.

Control Panel:

Use a slightly damp, soft cloth to wipe the control panel clean.

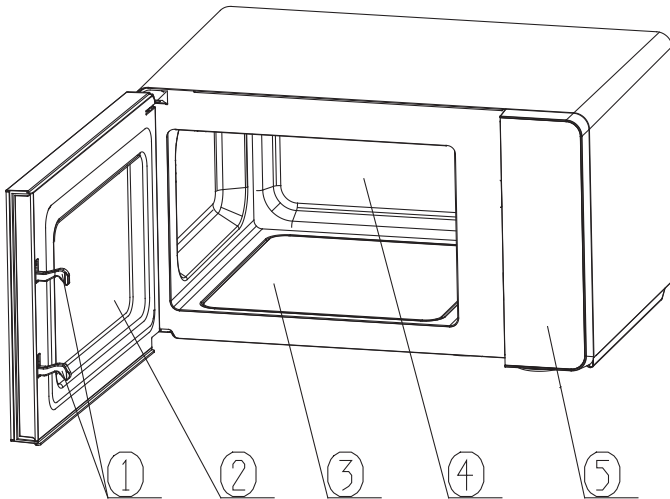
Door and Window: * Wipe the door and window with a soft, damp cloth.

Clean the door seals and adjacent parts regularly to remove any spills or splatters.

Interior Walls: * Wipe interior surfaces clean with a soft, damp cloth.

Carefully wipe the waveguide cover to remove any food splashes.

PRODUCT INSTRUCTIONS



1) Door lock

Microwave oven door must be properly closed for it to operate.

2) Viewing window

Allow users to see the cooking status.

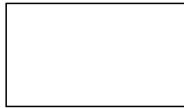
3) Borosilicate glass plate

4) Cavity

5) Control panel

See below in detail (the control panel is subject to change without prior notice)

CONTROL PANEL



— Smart Flatbed Technology —

Auto
Cook

Defrost
Time/Weight

Auto
Reheat

Popcorn

Beverage

Potato

Pizza

Frozen
Veggies

Melt/
Soften

Timer
Clock

Time Cook
Power

Mute
Eco

1 2 3

EXPRESS START 1-6

4 5 6

7 8 9

STOP
CLEAR

0
Hold Lock

START
+30 Sec

1. BEFORE COOKING

The display lights up when plugged in power supply, then enters the standby state and display shows 1:00.

2. TIME COOK/POWER

2.1 TIME COOK

Pressing this button activates the microwave oven's default high-power setting, while numeric button entries configure the cooking duration, with a maximum allowable setting of 99 minutes and 99 seconds. After entering the cooking time, press "START/+30s" button to start work. An buzzing sound to notify completion of the operation.

2.2 POWER

There are ten microwave power levels, 100P, 90P, 80P, 70P, 60P, 50P, 40P, 30P, 20P and 10P, respectively. Press and hold the "TIME COOK/POWER" button to enter the microwave power mode selection, and press numeric buttons to set the microwave power levels. Press the "START/+30s" button again to confirm the microwave power and enter the cooking time setting. Press number buttons to input the cooking time, the maximum time that can be input is 99:99. After entering the cooking time, press "START/+30s" button to start work. A buzzer will sound to signal the completion of the operation.

HIGH	100% and 90% power output	(Applicable for quick and thorough cooking)
M.High	80% and 70% power output	(Applicable for medium express cooking)
Med	60% and 50% power output	(Applicable for steaming food)
M.Low	40% and 30% power output	(Applicable for defrosting food)
LOW	20% and 10% power output	(Applicable for keeping warm)

CAUTION

- a. The max time which can be set is 99 minutes and 99 seconds.
- b. Never use a grill rack during microwave cooking.
- c. Never operate the oven empty.
- d. At the maximum microwave power, the oven will automatically lower the power after a certain time of cooking to lengthen the service life.
- e. If you turn the food during operation, press the **START/+30s** button once and the preset cooking procedure will continue.
- f. If you remove food before the preset time expires, press the **STOP/CLEAR** button once. This clears the settings and prevents unintended operation during the next use.

3. DEFROST

There are four defrost mode, defrost by time, dEF1, dEF2 and dEF3, respectively. Press this button to select the desired defrosting mode. After selecting to defrost by time, press the number buttons to set the defrosting time. The maximum time that can be entered is 99:99. Alternatively, select dEF1, dEF2, or

dEF3 to defrost and press the "START/+30s" button to confirm, then press the number buttons to set the defrosting weight within the range of 4-50oz. After selecting the cooking weight or time, press the "START/+30s" button to start. A buzzer will sound to signal the completion of the operation. The dEF1, dEF2 and dEF3 defrost modes will have a beeping sound to prompt the food to be turned over during defrosting.

Below is some food defrosting time advice:

dEF1 dEF2 dEF3	For defrosting, the weight range from 4 to 50oz.
Defrost by time	For defrosting, the maximum time is 99:99.

 **CAUTION**

- a. It is necessary to turn over the food during operation for best results.
- b. Defrosting times are typically longer than cooking times.
- c. If the food can be cut with a knife, the defrosting process can be considered completed.
- d. Microwave penetrates around 4cm into most food
- e. Defrosted food should be consumed as soon as possible. Do not return thawed food to the refrigerator or refreeze it.

4. AUTO COOKING

There are five automatic functions, popcorn, beverage, potato, pizza and frozen veggies respectively. Select the desired menu. Press the corresponding menu or number buttons repeatedly to select the portion size; the display will show your selection. After selecting the cooking weight, press “START/+30s” button to start. A buzzer will sound to signal the completion of the operation.

Display	Kind	Method
A.1	Popcorn	The optional weight is 3.5oz.
A.2	Beverage	The optional weights are 1 cup, 2 cups or 3 cups, each one about 250ml.
A.3	Potato	The optional weights are 9oz, 18oz and 27oz.
A.4	Pizza	The optional weights are 4oz, 8oz, 12oz and 16oz.
A.5	Frozen Veggies	The optional weights are 7oz, 14oz and 21oz.

CAUTION

a. The temperature of food before cooking should be 68-77°F.

Higher or lower temperature of the food before cooking may require increase or decrease of cooking time.

b. The temperature, weight and shape of food will influence cooking.

Adjust the cooking time for best results.

5. CLOCK/TIMER

5.1 CLOCK

The clock is a 24-hour system. The operation of the clock function is as follows.

In standby mode, press and hold down the button for more than 3 seconds to enter the clock setting interface. Press the button to select 24-hour or 12-hour, press the 0~9 number buttons to input the clock time and short press the “START/+30s” button to confirm the specified time and exit the clock setting mode.

5.2 TIMER

In standby mode, press the button to enter the the Timer. The countdown function icon and "0:00" will be displayed on the display screen. Press the number buttons to input the time. The maximum time that can be input is 99:99. After setting the time, press the "START/+30s" button to begin the countdown. A buzzer will sound to signal the completion of the operation.

6. AUTO REHEAT

The Reheat function is designed to simplify the heating process by automatically adjusting settings based on the weight of the food. Choose from five pre-programmed menus for consistent and precise results.

Press this button to select the desired menu, and the display screen will show the corresponding menu number. Press the “START/+30s” button again to confirm the menu and proceed to the next step of portion selection.

Press the number buttons to select the portion size of the food, and the display screen will show the corresponding portion size. After selecting the cooking weight, press “START/+30s” button to start work. A buzzer will sound to signal the completion of the operation.

Display	Kind	Method
AH-1	Bread	The optional weights are 4oz, 8oz, 12oz and 16oz.
AH-2	Rice	The optional portion sizes---1 bowl, 2 bowls and 3 bowls (each bowl approximately 7oz).
AH-3	Stews	The optional weights are 4oz, 8oz, 12oz and 16oz.
AH-4	Soup	The optional portion sizes---1 bowl, 2 bowls and 3 bowls (each bowl approximately 9oz).
AH-5	Casserole	The optional portion sizes---1 bowl, 2 bowls and 3 bowls (each bowl approximately 9oz).

7. AUTO COOK

There are ten menus and the operation of this function is as follows.

Press this button to select the desired menu, and the display screen will show the corresponding menu number. Press the "START/+30s" button to confirm the menu and proceed to the next step of portion selection. Press the number buttons to select the portion size of the food. The display display screen will show the corresponding portion size. After selecting the cooking weight, press “START/+30s” button to start work. A buzzer will sound to signal the completion of the operation.



Display	Kind	Method
AC-1	Meat Pie	The optional portion sizes---1, 2 and 3.
AC-2	Frozen Entrée	The optional weights are 8oz, 12oz and 16oz.
AC-3	Risotto	The optional weights are 4oz, 8oz, 12oz and 16oz.
AC-4	Instant Noodle	The optional portion sizes---1 and 2.
AC-5	Porridge	The optional weights are 2oz, 4oz and 6oz.
AC-6	Beans	The optional weights are 4oz, 8oz, 12oz and 16oz.
AC-7	Lasagna	The optional portion size---1.
AC-8	Fish Filet	The optional weights are 8oz, 12oz and 16oz.
AC-9	QUINOA	The optional weights are 4oz, 8oz and 12oz.
AC-10	Dinner plate	The optional weights are 8oz, 12oz and 16oz.

8. MELT/SOFTEN

Press this button to select the desired menu, and the display screen will show the corresponding menu number. Press the "START/+30s" button to confirm the menu and proceed to the next step of portion selection. Press the number buttons to select the portion size of the food, and the display screen will show the corresponding portion size. After selecting the cooking weight, press "START/+30s" button to start work. A buzzer will sound to signal the completion of the operation.

Display	Kind	Method
So-1	Chocolate	The optional weights are 4oz, 8oz, 12oz and 16oz.
So-2	Butter	The optional weights are 4oz, 8oz, 12oz and 16oz.
So-3	Cream Cheese	The optional weights are 4oz, 8oz, 12oz and 16oz.
So-4	Ice cream	The optional weights are 4oz, 8oz, 12oz and 16oz.

9. MUTE/ECO

9.1 MUTE

The mute function is operated as follows.

Press this button in standby mode to enter the sound on/off selection, corresponding to the display of the current sound mode. After selecting whether to turn on or off the sound, it will automatically exit the selection after 3 seconds, and the buzzer sound will be turned on or off according to the corresponding settings.

9.2 Eco

In standby mode, press and hold down the button to activate Eco mode, and the display screen will turn off. When the display screen is turned off, press any button to turn on the display screen. If there is no operation for 30 seconds in standby mode, the display screen will automatically turn off. In standby mode, after activating Eco mode, press and hold down the button to turn off Eco mode, and the screen will display normally.

10. EXPRESS COOK

10.1 In standby mode, you can directly press the 1~6 number buttons and the cooking time is 1~6 minutes, that is, press 1 to cook for 1 minute, press 2 to cook for 2 minutes, and soon.

10.2 In standby mode, after putting food in and closing the door, press the “START/+30s” button to start the microwave quickly. The default cooking time is 30 seconds. In the cooking process, press the “START/+30s” button once for 30 seconds. A buzzer will sound to signal the completion of the operation.

11. STOP/CLEAR

In the process of cooking settings, press “STOP/CLEAR” button to cancel the settings and return to standby mode. During the operation of the microwave oven, press “STOP/CLEAR” button to pause it. In the paused state, press “STOP/CLEAR” button again to cancel the function and return to standby mode.

12. CHILD LOCK FUNCTION

Use this feature to lock the control panel when you are cleaning or so that children cannot use the oven unsupervised. All the buttons (except the **"0"** button) are rendered inoperable in this mode.

1) Set lock: In standby mode, press and hold down the **"0"** button for more than 3 seconds, the child lock function is activated, and all buttons of the microwave oven are disabled except the **"0"** button.

2) Cancel lock: In the child lock state, press and hold down the **"0"** button for more than 3 seconds to cancel the child lock function.

13. THE OPERATION METHOD AND SETTING OF THE TWO-STEP DOOR OPENING FUNCTION

13.1 The operation method of two-step door opening

In the operating state or after the operation is completed, the first step is to press the **STOP** button to pause or return to standby mode of the microwave oven. The second step is to open the oven door.

When not in operating condition or after 30 minutes of work, the oven door can be opened directly.

13.2 Setting of two-step door opening function

In the standby mode of the microwave oven, press and hold down the **STOP+START+POWER** buttons in order to turn on/off this

function, and the corresponding display will be "ON" or "OFF".

CAUTION

1. When this function is enabled, it is not possible to directly open the oven door during operation, and a two-step door opening operation is required.
2. When this function is disabled, you can open the oven door in any state without pressing STOP first.
3. After the product is powered on, it defaults to the two-step door opening function.

UTENSILS GUIDELINE

It is strongly recommended to use containers which are suitable and safe for microwave cooking. Generally speaking, containers made of heat-resistant ceramic, glass or plastic are suitable for microwave cooking. Never use metal containers for microwave cooking and combination cooking as sparking is likely to occur. Refer to the table below.

Container Material	Microwave Safe	Notes
Heat-resistant ceramic	Yes	Do not use ceramics with rims glazes. It is recommended to use heat-resistant glass, ceramic, or plastic containers rated for temperatures above 248°F (120 °C).
Heat-resistant plastic	Yes	Do not use for prolonged periods of microwave cooking.
Heat-resistant glass	Yes	
Grill rack	No	
Plastic film	Yes	Do not use this when cooking meat or chops, as high temperatures may damage the film.

COOKING TIPS

The following factors may affect the cooking results:

Food arrangement

Place thicker areas towards outside of dish, the thinner part towards the centre and spread it evenly. Do not overlap if possible.

Cooking time length

Start cooking with a short time setting, evaluate it after it times out and extend it according to the actual need. Over cooking may result in smoke and burns.

Cooking food evenly

Food such as chicken, hamburger or steak should be turned once during cooking.

Depending on the type of food, stir it from outside to centre of dish once or twice during cooking.

Allow standing time

After cooking ends, leave the food in the oven for an adequate length of time. this allows it to complete its cooking cycle and cool it down in a gradual manner

Doneness

Color and hardness of food help to determine if it is done, these include:

- Steam coming out from all parts of food, not just the edge
- Joints of poultry can be moved easily
- Pork or poultry shows no signs of blood
- Fish is opaque and can be sliced easily with a fork

Browning dish

When using a browning dish or self-heating container, always place a heat-resistant insulator such as a porcelain plate under it to prevent damage to the turntable and rotating ring.

Microwave safe plastic wrap

When cooking food with high fat content, do not allow the plastic wrap to come into contact with food as it may melt

Microwave safe plastic cookware

Some microwave safe plastic cookware might not be suitable for cooking foods with high fat and sugar content. The preheating time specified in the dish instruction manual must not be exceeded

MAINTENANCE INSTRUCTIONS

SERVICING

Please check the following before calling for service.

1. Place one cup of water (approx.5.28oz) in a glass measuring cup in the oven and close the door securely. Oven lamp should go off if the door is closed properly. Let the oven work for 1 min.
2. Does the oven lamp light?
3. Does the cooling fan work?
(Put your hand over the rear ventilation openings.)
4. Is the water inside the oven hot?

If “NO” is the answer to any of the above questions, please check your wall socket and the fuse in your meter box.

If both the wall socket and the fuse are functioning properly,

CONTACT YOUR NEAREST APPROVED SERVICE CENTER.

SERVICING SAFEGUARDS



CAUTION

MICROWAVE RADIATION!

 **CAUTION**

It is hazardous for anyone, other than a qualified service technician, to carry out any service which involves removal of any cover which gives protection against exposure to microwave energy.

 **CAUTION**

The temperature of accessible surfaces may be high when the appliance is operating.

 **CAUTION**

The high voltage capacitor remains charged after disconnection; short the negative terminal of H.V. capacitor to the oven chassis (use a screwdriver) to discharge before touching.

 **CAUTION**

During servicing, the following parts may be removed, exposing voltages over 250V:

1. Magnetron
2. High voltage transformer
3. High voltage capacitor
4. High voltage diode
5. High voltage fuse

Actual product may vary. Please refer to the actual product.

 **CAUTION**

The following conditions may cause undue microwave exposure during servicing.

Improper fitting of magnetron.

Improper matching of door interlock, door hinge and door.

Improper fitting of switch support.

Door, door seal or enclosure has been damaged.

⚠ CAUTION

1. If the LED displays 'Err0' during operation, it indicates that the sensor has short-circuited. Please have it replaced at the nearest authorized service center.
2. If the LED displays 'Err1' during operation, it indicates that the sensor has short-circuited. Please have it replaced at the nearest authorized service center.

⚠ CAUTION

If the door or door seals are damaged, the oven must not be operated until it has been repaired by a qualified service technician.

It is hazardous for anyone, other than a qualified service technician, to carry out any service which involves removal of any cover which gives protection against exposure to microwave energy.

Liquids or other foods must not be heated in sealed containers since they are liable to explode.

Only allow children to use the oven without supervision when adequate instructions have been given so that the child is able to use the oven in a safe way and understands the hazards of improper use.

Correct Disposal of this product



Please do not dispose of this appliance into the domestic rubbish bin; it should be disposed to the particular disposal center provided by the municipalities.

Hisense

life reimagined