

accucold®

 **BOD** REFRIGERATED INCUBATOR
PERFORMANCE CHAMBER

BOD Refrigerated Incubator

ABOD6

ABOD15

ABOD18

User Manual

BEFORE USE, PLEASE READ AND FOLLOW ALL SAFETY RULES AND OPERATING INSTRUCTIONS

Write Model and Serial Numbers here:

Model _____

Serial No. _____

Accucold Division of Felix Storch, Inc.
An ISO 9001:2015 registered company
770 Garrison Avenue
Bronx, NY 10474
www.accucold.com

EQUIPMENT SAFETY

Your safety and the safety of others are very important.

We have provided many important safety messages in this manual and on your unit. Always read and obey all safety messages.



This is the Safety Alert Symbol. The symbol alerts you to potential hazards that can kill or injure you and others. All safety messages will follow the Safety Alert Symbol and either the words "DANGER" or "WARNING".



DANGER means that failure to heed this safety statement may result in severe personal injury or death.



WARNING means that failure to heed this safety statement may result in extensive product damage, serious personal injury, or death.

All safety messages will alert you about the potential hazard, tell you how to reduce the chance of injury, and let you know what can happen if the instructions are not followed.

EQUIPMENT SAFETY



Before the equipment is used, it must be properly positioned and installed as described in this manual, so read the manual carefully. To reduce the risk of fire, electrical shock or injury when using this equipment, follow basic precautions, including the following:



- Plug into a grounded 3-prong outlet, do not remove grounding prong, do not use an adapter, and do not use an extension cord.
- Replace all panels before operating.
- It is recommended that a separate circuit serving only your unit be provided. Use receptacles that cannot be turned off by a switch or pull chain.
- Never clean the equipment parts with flammable fluids. These fumes can create a fire hazard or explosion. And do not store or use gasoline or other flammable vapors and liquids in the vicinity of this or any other pieces of equipment. The fumes can create a fire hazard or explosion.
- Before proceeding with cleaning and maintenance operations, make sure the power line of the unit is disconnected.
- Do not connect or disconnect the electric plug when your hands are wet.
- Unplug the unit or disconnect power before cleaning or servicing. Failure to do so can result in electrical shock or death.
- Do not attempt to repair or replace any part of your unit unless it is specifically recommended in this manual. All other servicing should be referred to a qualified technician.
- These units are CFC- and HFC-free and contains a small quantity of Isobutane (R600a), and the ABOD18 are CFC- and HFC-free and contain a small quantity of propane (R290). Both are environmentally friendly, but flammable. They do not damage the ozone layer, nor do they increase the greenhouse effect. Care must be taken during transportation and setting up of a unit that no parts of the cooling system are damaged. Leaking coolant can ignite and may damage the eyes.
- In the event of any damage:
 - Avoid open flames and anything that creates a spark,
 - Disconnect from the electrical power line,
 - Air the room in which the unit isolated for several minutes, and
 - Contact the Service Department for advice.

- The more coolant there is in a unit, the larger the room it should be installed in. In the event of a leakage, if the unit is in a small room, there is the danger of combustible gases building up. For every ounce of coolant, at least 325 cubic feet of room space is required. The amount of coolant in the unit is stated on the data plate inside the unit. It is hazardous for anyone other than an Authorized Service Person to carry out servicing or repairs to this piece of equipment.
- Take serious care when handling, moving, and using the unit to avoid either damaging the refrigerant tubing or increasing the risk of a leak.
- Replacing component parts and servicing shall be done by factory authorized service personnel so as to minimize the risk of possible ignition due to incorrect parts or improper service.

⚠ WARNING ⚠

FOLLOW WARNING CALLOUTS BELOW ONLY WHEN APPLICABLE TO YOUR MODEL

- Use two or more people to move and install **unit**. Failure to do so can result in back or other injury.
- To ensure proper ventilation for your **unit**, the front of the unit must be completely unobstructed. Choose a well-ventilated area with temperatures above 60°F (16°C) and below 90°F (32°C). [For optimal performance, install the unit where the ambient temperature is between 72° and 78°F (23°- 26°C).] This unit must be installed in an area protected from the elements, such as wind, rain, waterspray or drips.
- The unit should not be located next to ovens, grills or other sources of high heat.
- The unit must be installed with all electrical, water and drain connections in accordance with state and local codes. A standard electrical supply (115 V AC only, 60 Hz), properly grounded in accordance with the National Electrical Code and local codes and ordinances, is required.
- Do not kink or pinch the power supply cord of the unit.
- The size of the fuse (or circuit breaker) should be 15 amperes.
- It is important that the equipment be leveled in order to work properly. You may need to make several adjustments to level it.
- All installations must be in accordance with local plumbing code requirements.
- Make certain that the pipes are not pinched, kinked or damaged during installation.
- Check for leaks after connection.
- Never allow children to operate, play with or crawl inside the unit.
- Do not use solvent-based cleaning agents or abrasives on the interior. These cleaners may damage or discolor the interior.
- Use this equipment only for its intended purpose as described in this *Instruction Manual*.
- Keep fingers out of the “pinch point” areas. Clearances between the door and cabinet are necessarily small. Be careful closing the door when children are in the area.

⚠ DANGER ⚠ Risk of child entrapment!

Child entrapment and suffocation are not problems of the past. Junked or abandoned appliances are still dangerous, even if they will “just sit in the garage a few days”.

Before discarding your old refrigerated incubator:

- *Take off the doors*
- *Leave the shelves in place so that children may not easily climb inside.*

-SAVE THESE INSTRUCTIONS-

INSTALLATION INSTRUCTIONS

Before Using your Equipment

- Remove the exterior and interior packaging.

CAUTION: After unpacking you **MUST** allow this unit to stand upright for at least 2 hours to allow the lubricant and refrigerant to drain back into the compressor and stabilize. Failure to do so may adversely affect performance and the lifetime of this unit.

- Clean the interior surface with lukewarm water using a soft cloth.

Installation of your Equipment

NOTE: Do not store or install the unit outdoors.

- Units with **-BI** in their suffix are designed to be built-in or recessed installation. The rest of the units listed in this manual are designed for freestanding use. **All models are for indoor use only.**

CAUTION: This equipment is designed for the incubation and storage of biological and laboratory samples only. Do not store beverages, perishable food items, or non-laboratory materials in this unit.

- Place the unit on a floor that is strong enough to support it when it is fully loaded. To level the unit, adjust the front leveling legs.
- For free-standing installation, allow at least **5 inches** (127mm) of space between the back, top, and sides of the unit. This allows the proper air circulation to cool the compressor and condenser for energy saving. Even for recessed or built-in installation (units with **-BI** in the model number), it is a must to keep $\frac{1}{4}$ " (6.35mm) of space on each side, and **2 inches** (51mm) on the top and at the rear. The air vent at the front of the unit must never be covered or blocked in any way.

NOTE: It is recommended that you do not install the unit near an oven, radiator or other heating source. Direct sunlight may affect the acrylic coating and heat sources may increase electrical consumption. Don't install in a location where the temperature will fall below 60°F (16°C). For best performance, do not install the unit behind a cabinet door or block the basegrille.

- Avoid locating the unit in moist areas.
- Plug the unit into an exclusive, properly grounded wall outlet. Do not under any circumstances cut or remove the third (ground) prong from the power cord. Any questions concerning power and/or grounding should be directed toward a certified electrician or an authorized service center.

Electrical Connection



Improper use of the grounded plug can result in the risk of electrical shock. If the power cord is damaged, have it replaced by a qualified electrician or an authorized service center.

This unit should be properly grounded for your safety. The power cord of this unit is equipped with a three-prong plug which mates with standard three-prong wall outlets to minimize the possibility of electrical shock.

Do not under any circumstances cut or remove the third (ground) prong from the power cord supplied. For personal safety, this equipment must be properly grounded.

This unit requires a standard 115/120 Volt AC ~ 60Hz three-prong grounded electrical outlet. Have the wall outlet and circuit checked by a qualified electrician to make sure the outlet is properly grounded. When a standard 2-prong wall outlet is encountered, it is your responsibility and obligation to have it replaced with a properly grounded 3-prong wall outlet. To prevent accidental injury, the cord should be secured behind the unit and not left exposed or dangling.

The unit should always be plugged into its own individual electrical outlet which has a voltage rating that matches the rating label on the unit. This provides the best performance and also prevents overloading house wiring circuits that could cause a fire hazard from overheating. Never unplug the unit by pulling on the power cord. Always grip the plug firmly and pull straight out from the receptacle. Repair or replace immediately all power cords that have become frayed or otherwise damaged. Do not use a cord that shows cracks or abrasion damage along its length or at either end. When moving the equipment, be careful not to damage the power cord.

Electrical Connection

Because of potential safety hazards under certain conditions, it is strongly recommended that you do not use an extension cord with this equipment. However, if you must use an extension cord it is absolutely necessary that it be a UL/CUL-Listed, 3-wire grounding type equipment extension cord having a grounding type plug and outlet and that the electrical rating of the cord be 115 volts and at least 10 amperes.

Reversing the Door

Unless ordered as the **LHD** option, your unit comes with a right-hand self-closing door swing by default. If you would like to reverse the door to open in the opposite direction, please follow the steps below:

NOTE: Reversing the door will undo the self-closing function. Doors on units with -DL2B data logger suffix are not reversible.

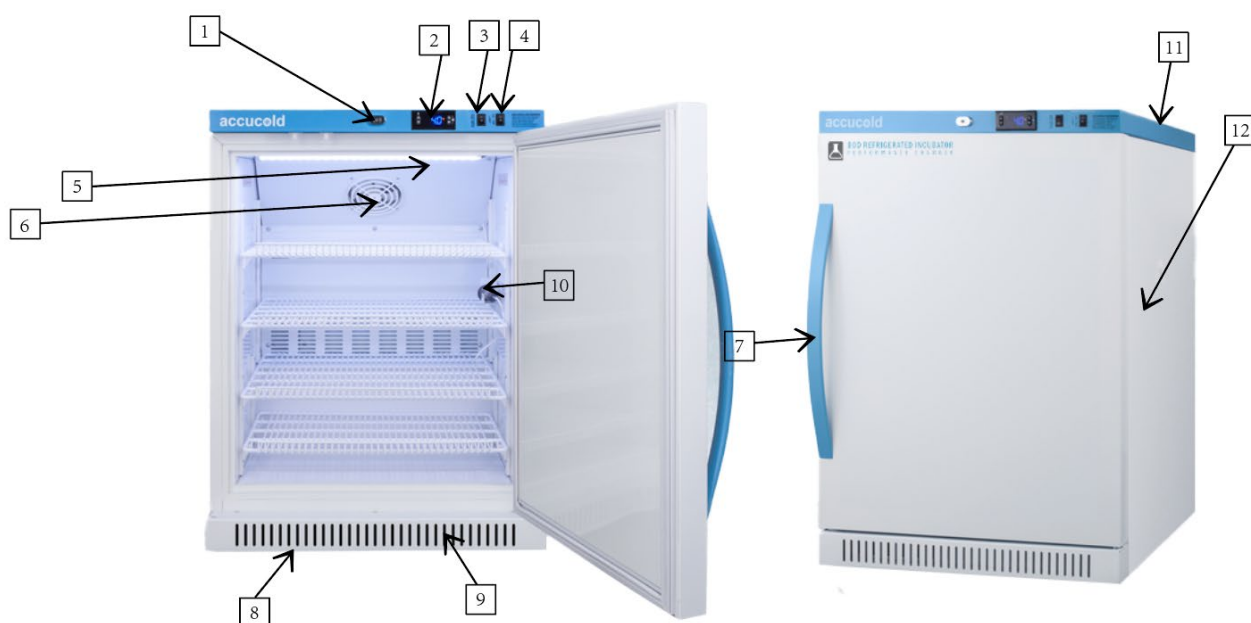
1. Carefully lay the unit on its back and remove the two (2) front leveling legs
2. Remove the two (2) hex head screws that connect the door hinges to the body on the bottom of the unit
3. Remove the two (2) flathead screws that connect the hinge assembly to the bottom of the door
4. Remove the white hinge from the square rod
5. Slide the door towards the bottom until it is free of the top hinge
6. Unscrew the top hinge pin from the unit and reinstall on the left side
7. Flip the door so the handle is now on the right side
8. Push the door onto the top hinge piece
9. Reinstall the hinge assembly on the left side bottom of the door using the flathead screws
10. Push the white hinge onto the square rod at a position of 9 o'clock
11. Turn the white hinge clockwise until the holes line up with screws located on the bottom of the unit
12. Replace the hex head screws and front leveling legs

NOTE: Once the door has been reversed, the BOD Refrigerated Incubator sticker will be upside down. You can remove and reapply to the preferred position. If you would like a replacement sticker, contact our parts department at parts@summitappliance.com

CAUTION: After positioning the unit, you **MUST** allow it to stand upright for at least 2 hours to allow the lubricant and refrigerant to drain back into the compressor and stabilize. Failure to do so may adversely affect performance and the lifetime of this unit.

Stabilization Period - Prior to use, the unit shall be allowed to run and stabilize for at least twenty-four hours.

LOCATION OF PARTS



- | | |
|--|---|
| 1. Keyed Lock | 8. Leveling legs |
| 2. Microprocessor Control Panel | 9. Kickplate |
| 3. Reset Switch | 10. Temperature sensor in glycol bottle |
| 4. Light Switch | 11. Dry contacts (located in rear) |
| 5. Internal Light | 12. Access port – for added monitoring devices of the useable area inside the unit |
| 6. Internal Fan | |
| 7. Handle | |

Specification

Model	ABOD6	ABOD15	ABOD18
Working Temperature	0-38°C, RH 20-75%		
Operating Temperature	4-60°C (39.2 - 160 °F)		
Altitude	Up to 2000M		
Transport Temperature	-15°C – 50°C (5°F – 122°F)		
Storage Temperature	40-60°C / 104-140°F		
Capacity(L)	168	448	550
Rated Voltage	AC110V		
Mains Fluctuations	±10%		
Frequency	60Hz		
Rated Current	2.9A	4.7A	4.7A
Cooling Power	102W	200W	220W
Heating Power	300W	500W	500W
Shelf Load	20kg (44 lbs.) each		
Pollution Degree	2		
Product Dimensions MM (W*D*H)	595*611*840 23" x 24" x 33"	595*611*1820 23" x 24" x 72"	700*660*2020 28" x 26" x 80"
Net Weight	54.96 kg. 121.1 lbs.	90.5 kg 199.6 lbs.	123 kg. 269 lbs.
Refrigerant	R600a	R600a	R290
Filling Amount	1.34 oz	2.43 oz	3.0 oz
Vesicant	Cyclopentane		

OPERATION – QUICK SETUP GUIDE

This section provides an overview of how to operate your refrigerated incubator. **For more detailed instructions on adjusting control panel parameters, refer to page 10.** Once plugged in, the display will show the internal product temperature, and the compressor will begin running. The corresponding indicator light on the control panel will also turn on.

Sensors Overview:

The unit uses two sensors:

- **Product Sensor** (display sensor): Monitors the product temperature.
- **Air Sensor** (control sensor): Monitors the air temperature for controlling the refrigeration process.

For maximum performance, the air sensor is used to quickly respond to changes like product loading and door openings. You may need to adjust the controller to a lower temperature than the desired product temperature, as the air temperature needs to be lower to effectively cool the product.

The temperature displayed is the product temperature recorded by the product sensor inside a glycol-filled vial located in the unit. As the refrigerated incubator cools to the set point, the number on the display will decrease in temperature. It will take longer for the product vial to reach desired temperature compared to the air inside of the unit.

Power Outage

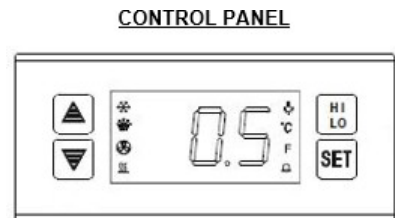
If power is cut off, wait for at least 5 minutes before plugging the unit in again to avoid damaging the compressor.

Control and Temperature Measurement Device (TMD)

Adjusting the Operating Temperature

The unit is preset to 20°C, adjust the temperature up or down till it reaches the desired product temperature. The displayed will reflect the current temperature setting.

To change the set point temperature, press the **SET** key. The set-point temperature will be displayed. Within 10 seconds, press the **UP** or **DOWN** arrow key to adjust the temperature. Press the **SET** key again to confirm the new setpoint.



High/Low Temperature Alarm

- **Low Temperature Alarm:** If the air temperature in the refrigerated incubator falls below the low alarm set point, an alarm will sound. The front panel will display [LO] flashing alternately with the current temperature.
- **High Temperature Alarm:** If the air temperature exceeds the high alarm set point, an alarm will sound. The front panel will display [HI] flashing alternately with the current temperature.
- **High Product Temperature Alarm:** If the product temperature exceeds the high product alarm set point, the front panel will display [H2] flashing alternately with the current temperature.

Investigate the potential cause immediately if any of the alarms occur. The unit should be monitored to ensure that it returns to the correct temperature.

Adjust the alarms set points to meet your requirements in the parameter setup. (see page 13)

Power Failure Alarm

After plugging in the equipment, move the **Reset Switch** located at the front of the unit to the down position. When electrical power to the equipment is lost, an alarm will sound, and it will silence when the power is restored.

Note the alarm is battery-powered and has a limited time to alarm.

Min/Max Temperature Recording

Once connected to the power supply, your unit will record the maximum high and minimum low temperatures reached inside the cabinet. The display will show the last recorded **HI** and **LO** temperatures until the unit resets.

- To display the **HI** reading, press and release the **HI/LO** button.
- To display the **LO** reading, press and release the **HI/LO** button again.

To Reset the Min/Max Temperature Recording

Press and hold the **HI/LO** button for 6 seconds. To confirm the operation, The display will start blinking and the buzzer sounds. After 5 seconds, the display will revert to normal.

Changing the Temperature Display

The unit's default temperature is set to Celsius. If you prefer the temperature to display in Fahrenheit, follow these steps:

1. Enter Password Mode: Press and hold the **SET** button until the display flashes [PAS].
2. Enter the Password: Use the **UP** and **DOWN** arrows to enter the password (the factory default is 15).
3. Access the Parameter Settings: After entering the password, press the **SET** button about 25 times until [CF] appears on the display.
4. Change to Fahrenheit: Press the **DOWN** arrow until the display shows °F.
5. Save the Setting: Press **SET** and wait for 6 seconds. The new setting will be saved, and the unit will resume normal operation with the temperature displayed in Fahrenheit.

Interior Light

Your unit includes an LED light that illuminate automatically when the door is open. If you prefer the light to remain on when the door is closed, push the switch to the **ON** position.

Door Alarm

If the door is left open for more than 2 minutes, an alarm will sound. Close the door to stop the alarm.

Remote Alarm

The electronic controller is equipped with dry contacts for alarm forwarding to an external remote alarm system (via the terminal block on the back of the unit).

NOTE: The remote contacts are normally CLOSED and OPEN upon alarm. To change the output to normally OPEN and CLOSED on alarm see item **C12** of the "Table of Parameters and Factory Settings". Change the **C12** setting to **00** in lieu of **01**.

Probe Port

This unit is equipped with a 3/8" probe port and plug, which can accept additional monitoring devices. It is advisable to position the additional temperature monitoring device in the net usable area (inside ideally near the product sensor).

Summary of Alarm Types

ALARM TYPE	DISPLAY FLASH
Air temperature high alarm	HI delay alarm
Air temperature low alarm	LO delay alarm
Air temperature sensor short circuited	1H in time alarm
Air temperature sensor open circuited	1L in time alarm
Product temperature sensor short circuited	2H in time alarm
Air temperature sensor open circuited	2L in time alarm
Product temperature high temp alarm	H2 delay alarm
Product temperature low temp alarm	L2 delay alarm
Electric supply off alarm	No display – alarm in time
Door open delay alarm	Dr flash and delay alarm

Storage of Articles

- At maximum loading level, the content should not block the unit's air flow or be loaded above the load line.
- Leave space around the contents to allow a smooth flow of cold air inside the cabinet. To prevent freezing, be sure the articles do not touch the back of the interior cabinet.
- Store articles away from the inner fan.
- Shelves can be adjusted to allow proper airflow around the products being stored.

DETAILED TEMPERATURE CONTROLLER GUIDE



Front Panel Operation

Set Temperature (Compressor's Top Temperature) Adjustment:

1. Press the **SET** button, the set temperature is displayed, then press the **UP** or **DOWN** arrow to store and memorize. Press the **SET** button to exit the adjustment status and display the product temperature. If no other buttons are pressed within 6 seconds, the refrigerator product temperature will be displayed.
2. Set temperature adjustment range: Parameter E1~E2

Manually Start/Stop Defrosting:

Press **HI/LO** button, then press **SET** button and hold for 6 seconds to enter defrost status or to stop defrost.

Display The Sensor Temperature (C13):

Press the **DOWN** arrow, the product temperature (or cabinet temperature) will flash display. After 6 seconds, will resume normal display.

Refrigeration LED:

During refrigeration the cooling snowflake LED is on. When temperature is constant, the LED is off.

Defrost LED:

During defrosting (if activated), the defrost LED is on. During the delay after defrosting, the LED flashes.

Parameter Set-Up and Settings (For All Settings Other Than Temperature Setpoint):

Press **SET** button and hold for 6 seconds to enter the parameter setting (flash and display PAS). After entering the correct password (factory default is 15), press **SET** and the display will show E1, E2, ...~do3 PAS in sequence. Press the **UP** or **DOWN** arrow and the value of the parameter will be displayed and can be modified and stored. If no other buttons are pressed within 6 seconds, it will exit, and the new value will be stored.

NOTE: Only when in the inner parameter menu (display PAS) and the correct password is entered can the parameter value be adjusted. If the wrong password is entered, the parameter modification will be exited, although the set temperature adjustment is still active. If you forget the password, you will need to resume the factory default settings.

The following are examples of how to change common settings:

- A. **Enter Password** - Press and hold the **SET** button 6 seconds until it flashes [PAS] then enter the default password **15** using the **UP** and **DOWN** arrows. When **15** is reached press the **SET** button.
- B. **Change display to °F in lieu of °C** - After entering the password press the **SET** button about 25 times to reach the [CF] display, then press the up or down arrow until the control displays [°F] then press **SET**. Wait 6 seconds and it will be set and the unit will go back to normal operation.
- C. **High Air Alarm Settings** - After entering the password press the **SET** button until you reach the [C1] display, then press the **UP** or **DOWN** arrow until the control displays your desired setting then press **SET**. Wait 6 seconds and it will be set and the unit will go back to normal operation.
- D. **Low Air Alarm Settings** - After entering the password press the **SET** button until you reach the [C2] display, then press the **UP** or **DOWN** arrow until the control displays your desired setting then press **SET**. Wait 6 seconds and it will be set and the unit will go back to normal operation.
- E. **High Product Alarm Settings** - After entering the password press the **SET** button until you reach the [C3H] display, then press the **UP** or **DOWN** arrow until the control displays your desired setting then press **SET**. Wait 6 seconds and it will be set and the unit will go back to normal operation.
- F. **Low Product Alarm Settings** - After entering the password press the **SET** button until you reach the [C3L] display, then press the **UP** or **DOWN** arrow until the control displays your desired setting then press **SET**. Wait 6 seconds and it will be set and the unit will go back to normal operation.
- G. **Other Parameters in the "Factory Settings"**: Enter the Password and then press the **SET** button until the desired parameter is displayed, then press the **UP** or **DOWN** arrow until the desired setting is displayed then press the **SET** key again. Wait 6 seconds and it will be set and the unit will go back to normal operation.

Recording The Highest and Lowest Temperature

Once turned on and after the [C5] delay, the unit will start to record the highest and lowest temperature; the record will be refreshed at any time. The values will be kept in memory even after the power is turned off. Press the **HI/LO** button to see the highest temperature recorded. Press it again to see the lowest temperature. Holding the **HI/LO** button for 6 seconds will cause the display to flash and a buzzer to sound; the previous highest and lowest temperature readings will be cleared, and a new record will begin. (Highest and lowest temperature recording instructions: When parameter **F4=0**, the unit can record highest and lowest temperature at any time. When **F4=1,2,3**, during defrost and delay locking 20 minutes, highest and lowest temperatures are not recorded.

During air sensor failure, highest and lowest temperatures are not recorded. When set **C13=00**, the temperature in the liquid bottle is recorded; when set **C13=01**, the temperature of the air in the cabinet is recorded. The product temperature corresponds to the temperature of the liquid in the bottle.

Factory Default Resumption

Press and hold the **DOWN** arrow; at the same time, press the **UP** arrow and hold for 6 seconds. The display will flash and show [888]. At this time, all parameters will resume factory default values. After 6 seconds, normal operational mode will return.

To Check or Change the Password:

Enter the inner parameter menu (PAS display) and enter the correct password. After entering the inner parameter PAS, press the **UP** or **DOWN** arrow to display and change the password, then press **HI/LO** to confirm and store the new password.

Table of Parameters and Factory Settings

Parameter	Function	Set Range	Default	Parameter	Function	Set Range	Default
Set	Setpoint		20°C	C3H	Product Temp. High Temp. Alarm	C3L~80.0°C/176°F	70°C/158°F
PAS	Password	00~99	15	C3L	Product Temp. Low Temp. Alarm	-40°C/-40°F~ C3L	0.0°C/32.0°F
E1	Lowest set point limit	Set temp. ~ -4°C /39.2°F	4°C / 39.2°F	C4	Hysteresis Alarm	0.1~20.0°C / 0.2~36.0°F	0.1°C / 32.18°F
E2	Higher setpoint limit	60.0°C / 140.0°F ~set temp.	60.0°C / 140°F	C5	Start-up Temp. Alarm delay	00~99 min	60 min
E30	Temp. Hysteresis	1.5°C / 34.7°F	1.5°C / 34.7°F				
E31	Heating Temp. Hysteresis	0.1~20.0°C / 32.18~68.0°F	1.5°C / 34.7°F	C6	Temp. Alarm Delay	00~99 min	15 min
E40	Turning On delay time	00 ~10 min.	3 min.	C7	Power Off relay Alarm	00=do not alarm /01=alarm	01
E41	Comp. start delay time	00 ~10 min.	3 min.	C8	Alarm relay close after, muffle alarm relay switch	00=open / 01=close	00
E5	Offset on Air Temperature	-10.0~10.0°C / -14.0~50.0°F	2.0°C / 35.6°F	C9	Restart time after buzzer mute	00=do not start / 01 ~30 min=restart time	10 min
E6	Offset on Product Temp.	-10.0~10.0°C / 14.0~50.0°F	0.0°C/ 32°F	C10	Comp. Force stop time	01~99 min	99 min
F0	Defrost Type	00=defrost by turning of comp.	00	C11	Comp. Force RunningTime	00=comp. Stop / 01-99min=starting time	0 min
F1	Max defrost duration	01~60 min.	20 min.	C12	Alarm Output Type	00=contact actuation when alarm / 01=contactdisconnect when alarm	01
F2	Defrost Interval (XXhr/time)	00~24 hr.	00	C13	Normal State temp.display type	00=liquid bottle temp / 01=cabinetair temp.	00
F4	Temp. displaying on screen when defrost	00= normal Temp; 01=latest Temp. 02=Fixed Temp. ; 03=showing "dEF" on screen	00	CF	TemperatureUnit	°C=Celsius / °F=Fahrenheit	°C
C0	Hot and cold conversion delay time	00-30min	02min	do1	Door open alarm	00=do not alarm /01=99min=delayed alarm	02 min
C1	High Temp Air Alarm	C2~80.0°C / 176.0°F	70.0°C / 158°F	do2	Comp. status whendoor open	0=stop / 01=original status	0 1
C2	Low Temp Air Alarm	-40°C / -40°F~C1	0.0°C / 32.0°F	do3	Heating control mode selection	00=Controlled by parameters 01 = PID intelligent control	00



FUNCTION DETAILS

Temperature Control: After turning on the unit and reaching the delay time (parameter E40), the compressor starts operating when the cabinet temperature is higher than (set temperature + hysteresis) and will be off when the cabinet temperature is lower than the set point temperature.

To protect the compressor, it cannot be re-started unless the time after the compressor stops is longer than the delay time (Parameter E41).

Defrost Control: After running for a defrost interval set time (parameter F2), the unit will enter defrost and the compressor stops. When the defrost duration time (parameter F1) ends, it will exit defrost status. After a defrost period ends, there will be 2 minutes of dripping time before the unit can enter refrigeration status.

- When defrost interval F2 is set to **00**, the automatic defrost by turning off compressor will be cancelled.
- When setting parameter F4 is set to **0**, the temperature will be displayed normally during defrost.
- When setting parameter F4 is set to **1**, the cabinet temperature is locked during defrost, and the last value before defrost is displayed. When defrost ends, normal display will resume after temperature display 20 minutes delay (or cabinet temperature lower than the set temperature). The defrost LED flashes during delay.
- When setting parameter F4 is set to **2**, the set temperature will be displayed during defrost.
- When defrost ends, normal display will be resumed after 20 minutes delay (or cabinet temperature lower than the set temperature). The defrost LED flashes during delay.
- When setting parameter F4 is set to **3**, [dEF] will be displayed during defrost. When defrost ends, normal display will be resumed after 20 minutes delay display [dEF] (or cabinet temperature lower than the set temperature). The defrost LED flashes during delay.

Alarm Control: After turning on for the first time, the unit will need to reach the [C5] delay time setting, then the high/low temperature alarm function can be triggered (C1, C2, C3). After passing [C5] delay, when the cabinet temperature is abnormal (for example higher than the temperature alarm [C1] or lower than temperature alarm [C2]) and duration more than alarm delay time [C6], the unit will enter alarm status, alarm start. When high temperature alarm alternate display H1 and cabinet air temperature, the compressor starts to run. When low temperature alarm, will alternate display **LO** and cabinet temperature, the compressor stops. When cabinet temperature is higher than the (low temperature alarm value [C2] + alarm hysteresis [C4]), the low temperature alarm ends. When cabinet temperature is lower than (high temperature alarm value [C1] – alarm hysteresis [C4]), the high temperature alarm ends.

When the product sensor temperature is greater than or equal to the product temperature high temperature alarm value [C3] and duration more than alarm delay time [C6], unit enters alarm status, and starts the alarm, alternate display [H2] and cabinet temperature. When the product sensor temperature is less than or equal to the (high temperature alarm value [C3] – alarm hysteresis [C4]), it will end the high temperature alarm.

When the electric supply is off, flash and display [EEL] and alarm. When setting **do1** is set at **00**, unit will not alarm when door is open. When setting **do1** is set at **0**, once unit reaches the delay time, it will flash and display [dr alarm], press any button to cancel.

If setting [C7] is set to **0**, then the units relay does not alarm when power is off.

If setting [C8] is set to **0**, then after alarm is canceled, the alarm relay does not close. If [C9] is set to **0**, then after the alarm cancel button is pushed, the buzzer does not restart.

If setting other numbers, then after reaching delay time, buzzer sounds one more time. (Under the condition of alarm not terminating)

Abnormal Work Mode: When air sensor is short-circuited or high temperature over limit ($> 66^{\circ}\text{C}/151^{\circ}\text{F}$), [1H] is displayed; when air sensor is open-circuited or low temperature over limit ($< -40^{\circ}\text{C}/^{\circ}\text{F}$) [1L] is displayed. Compressor will enter the force running mode, according to C10, C11 set parameters running in sequence.

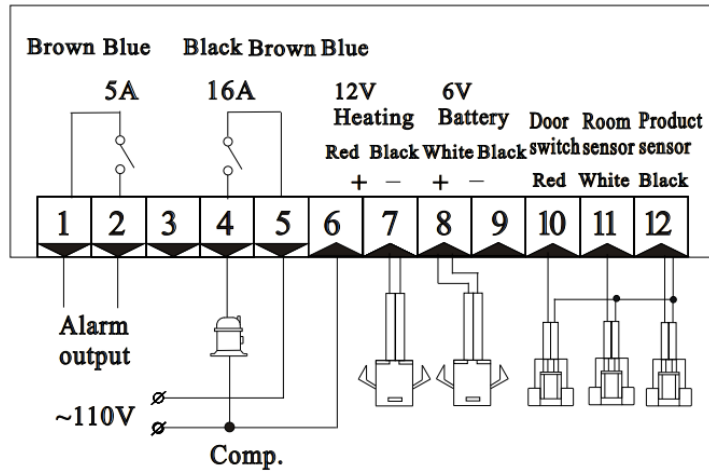
When product sensor is short-circuited, open-circuited or over limit ($> 66^{\circ}\text{C}/151^{\circ}\text{F}$), alternate display 2H and air temperature, the product temperature sensor open-circuited or low temperature over limit ($< -40^{\circ}\text{C}/^{\circ}\text{F}$), alternate display [2L] and air temperature.

Instrument Running Alarm Indication List

Alarm type	Compressor running	Display flash
Refrigerated incubator high temp. alarm	Compressor on	H1 delay alarm
Refrigerated incubator low temp. alarm	Compressor off	L0 delay alarm
Air temp. sensor short-circuited	Press C10, C11 to run the comp.	1H in time alarm
Air temp. sensor open-circuited	Press C10, C11 to run the comp.	1L in time alarm
Product temp. sensor short-circuited		2H in time alarm
Product temp. sensor open-circuited		2L in time alarm
Product temperature high temp.	Limit alarm	H2 delay alarm
Product temperature low temp.	Limit alarm	L2 delay alarm
Electric supply off alarm		EEL flash and alarm in time
Door open delay alarm		Dr flash and delay alarm

When the door is open, the light switch can turn the light ON and OFF.

Circuit Diagram



- When the door is closed, normal close contact
- When the door is open, contact is disconnected

Notes for Installation:

1. Sensor leads must be kept separately from main voltage wires in order to avoid high frequency noise induced. Separate the power supply of the loads from the power supply of the controller.
2. When installing, the sensor must be placed with the head upward and the wire downward.
3. The temperature controller must not be installed in an area where water drips.

CLEANING AND MAINTENANCE

Before cleaning, it is essential that you unplug the unit from the power line and transfer the contents where they can be stored and monitored at the correct temperatures.

- Wash the inner compartment with warm water and neutral detergent. DO NOT allow the control panel, cables or plug to get wet. NEVER use corrosive detergents, wire brushes, or abrasive scourers to clean your refrigerated incubator. NEVER use metal or sharp implements to remove debris.
- Dry all surfaces thoroughly.
- To ensure trouble-free operation, the condenser should be cleaned every three months where appropriate using a vacuum hose. The condenser is located at the back of the cabinet. In exceptionally dusty locations, the condenser should be cleaned more often.
- When transporting the unit, try to keep it vertical with angle of inclination between sides of the refrigerated incubator and the horizontal plane not less than 50°. Otherwise the compressor may be affected, disrupting normal operation of the unit.

TROUBLESHOOTING

You can solve many common problems easily, saving you the cost of a possible service call. Try the suggestions below to see if you can solve the problem before calling the servicer.

Problems	Possible causes	Remedy
<i>The unit does not operate</i>	<i>Bad connection of plug or burnt out fuse</i>	<i>Unplug the power cord and re-connect the plug to power supply or replace with a new fuse</i>
<i>Abnormal operation of the compressor or there is a buzzing sound</i>	<i>The power voltage is out of rated range</i>	<i>Disconnect the power supply immediately and reconnect with it after normal voltage. It is necessary to have a voltage stabilizer in case of poor power supply.</i>
<i>Compressor operates for a long time and no frost on the surface of the evaporator</i>	<i>Refrigeration system is at fault (leakage or blocked)</i>	<i>Call for service</i>
<i>There is frost or ice on the walls of the inner cabinet and internal temperature is too low, the compressor never stops running.</i>	<i>Thermostat does not work</i>	<i>Call for service</i>
	<i>The temperature setting of the thermostat is too low.</i>	<i>Adjust to a higher temperature</i>
<i>The internal temperature is too high, and the compressor never stops operating.</i>	<i>Bad heat dissipation and ventilation of condenser</i>	<i>Improve ventilation</i>
	<i>Too many warm items were put in at one time</i>	<i>Remove some goods so air can circulate</i>
	<i>Door is being opened too frequently during initial cool down</i>	<i>Permit the unit to cool down adequately, prevent product access during this</i>
<i>Too noisy</i>	<i>The unit is not level</i>	<i>Adjust the adjustable legs</i>
	<i>The fastener of the unit is loose</i>	<i>Tighten the loose fastener</i>
	<i>Pipe near the compressor are touching</i>	<i>Carefully separate the touching pipes</i>
<i>The side of unit is hot</i>	<i>The condenser in the side wall gives out heat as part of normal operation</i>	<i>Nothing to worry about.</i>
<i>Sometimes a light sound of water flowing will be heard</i>	<i>Refrigerant flowing inside the pipe.</i>	<i>Nothing to worry about.</i>
<i>There may be condensation on the glass door</i>	<i>High ambient temperature or humid conditions</i>	<i>Dry with a cloth</i>
<i>The display shows "So" and compressor does not run</i>	<i>The temperature sensor is open circuit</i>	<i>Call for service</i>
<i>The display shows "SC" and compressor does not run</i>	<i>The temperature sensor is short circuited.</i>	<i>Call for service</i>



<i>The display shows "HH" and compressor does not run</i>	<i>The ambient temperature is above 40°C/104°F</i>	<i>Stop using immediately</i>
<i>The display shows "LL" and compressor does not run</i>	<i>The ambient temperature is below -40°C/-40°F.</i>	<i>Stop using immediately</i>

If you continue to experience issues, contact Accucold's technical support department at **1-888-4-MEDLAB**.

TECHNICAL INFORMATION

Model Numbers	Gross Capacity Cu. Ft.	Net Useable Interior Capacity Cu. Ft.
ABOD6	6.00	4.40
ABOD15	15.00	12.10
ABOD18	18.00	17.40

LIMITED WARRANTY

TWO-YEAR LIMITED WARRANTY

Within the 48 contiguous United States, for two years from the date of purchase, when this unit is operated and maintained according to instructions attached to or furnished with the product, warrantor will pay for factory- specified parts and repair labor to correct defects in materials or workmanship. Service must be provided by a designated service company. Outside the 48 states, all parts are warranted for two years from manufacturing defects. Plastic parts, shelves and cabinets are warranted to be manufactured to commercially acceptable standards and are not covered from damage during handling or breakage.

FIVE-YEAR COMPRESSOR WARRANTY

1. The compressor is covered for five years.
2. Replacement does not include labor.

ITEMS WARRANTOR WILL NOT PAY FOR:

1. Service calls to correct the installation of your equipment, to instruct you how to use your equipment, to replace or repair fuses or to correct wiring or plumbing.
2. Service calls to repair or replace unit light bulbs or broken shelves. Consumable parts (such as filters) are excluded from warranty coverage.
3. Damage resulting from accident, alteration, misuse, abuse, fire, flood, acts of God, improper installation, installation not in accordance with electrical or plumbing codes, or use of products not approved by warrantor.
4. Replacement parts or repair labor costs for units operated outside the United States.
5. Repairs to parts or systems resulting from unauthorized modifications made to the unit.
6. The removal and reinstallation of your unit if it is installed in an inaccessible location or is not installed in accordance with published installation instructions.

DISCLAIMER OF IMPLIED WARRANTIES; LIMITATION OF REMEDIES CUSTOMER'S SOLE AND EXCLUSIVE REMEDY UNDER THIS LIMITED WARRANTY SHALL BE PRODUCT REPAIR AS PROVIDED HEREIN. IMPLIED WARRANTIES, INCLUDING WARRANTIES OF MERCHANTABILITY OR FITNESS FOR A PARTICULAR PURPOSE, ARE LIMITED TO ONE YEAR. WARRANTOR SHALL NOT BE LIABLE FOR INCIDENTAL OR CONSEQUENTIAL DAMAGES. SOME STATES DO NOT ALLOW THE EXCLUSION OR LIMITATION OF INCIDENTAL OR CONSEQUENTIAL DAMAGES, OR LIMITATIONS ON THE DURATION OF IMPLIED WARRANTIES OF MERCHANTABILITY OR FITNESS, SO THESE EXCLUSIONS OR LIMITATIONS MAY NOT APPLY TO YOU. THIS WARRANTY GIVES YOU SPECIFIC LEGAL RIGHTS AND YOU MAY ALSO HAVE OTHER RIGHTS, WHICH VARY FROM STATE TO STATE.



WARNING: This product can expose you to chemicals including Nickel (Metallic) which is known to the State of California to cause cancer.

For more information go to www.P65Warnings.ca.gov

Note: Nickel is a component in all stainless steel and some other metallic compositions.

Accucold Division of Felix Storch, Inc.
An ISO 9001:2015 registered company770
Garrison Avenue
Bronx, NY 10474

accucold[®]
For parts and accessory ordering,
troubleshooting and helpful hints, visit:
www.accucold.com/support

SÉCURITÉ DE L'APPAREIL

Votre sécurité et celle des autres sont très importantes.

Nous avons fourni de nombreux messages de sécurité importants dans ce manuel et sur votre appareil. Lisez et respectez toujours tous les messages de sécurité.



Ceci est le symbole d'alerte de sécurité. Le symbole vous avertit des dangers potentiels qui peuvent vous tuer ou vous blesser, vous et les autres. Tous les messages de sécurité suivront les symboles de sécurité d'alerte et soit les mots "DANGER" ou "AVERTISSEMENT".



DANGER signifie que le non-respect de cette déclaration de sécurité peut entraîner des blessures graves ou la mort.



WARNING/AVERTISSEMENT signifie que le non-respect de cette déclaration de sécurité peut entraîner des dommages importants au produit, des blessures graves ou la mort.

Tous les messages de sécurité vous alerteront du danger potentiel, vous indiqueront comment réduire les risques de blessures et vous informeront de ce qui peut arriver si les instructions ne sont pas suivies.

GARANTIES IMPORTANTES



Avant d'utiliser l'équipement, il doit être correctement positionné et installé décrit dans ce manuel, veuillez donc lire attentivement le manuel. Pour réduire les risques d'incendie, choc électrique ou blessure lors de l'utilisation de cet équipement, suivez les précautions de base, y compris ce qui suit:



- Branchez-le dans une prise à 3 broches avec mise à la terre, ne retirez pas la broche de mise à la terre, n'utilisez pas d'adaptateur et n'utilisez pas de rallonge.
- Remplacez tous les panneaux avant l'utilisation.
- Il est recommandé de prévoir un circuit séparé desservant uniquement votre appareil. Utilisez des prises qui ne peuvent pas être désactivées par un interrupteur ou une chaîne à tirer.
- Ne nettoyez jamais les pièces de l'équipement avec des liquides inflammables. Ces fumées peuvent créer un risque d'incendie ou d'explosion. N'entreposez pas et n'utilisez pas d'essence ou d'autres vapeurs et liquides inflammables à proximité de cet équipement ou de tout autre équipement. Les fumées peuvent créer un risque d'incendie ou d'explosion.
- Avant de procéder aux opérations de nettoyage et d'entretien, assurez-vous que la ligne électrique de l'unité est déconnectée.
- Ne connectez ou ne débranchez pas la prise électrique lorsque vos mains sont mouillées.
- Débranchez l'appareil ou coupez l'alimentation avant le nettoyage ou l'entretien. Le non-respect de cette consigne peut entraîner un choc électrique ou la mort.
- N'essayez pas de réparer ou de remplacer une pièce de votre appareil à moins que cela ne soit spécifiquement recommandé dans ce manuel. Tout autre entretien doit être confié à un technicien qualifié.
- Ces unités sont sans CFC et HFC et contiennent une petite quantité d'isobutane (R600a), et les ARS18PV et ARG18PV sont sans CFC et HFC et contiennent une petite quantité de propane (R290). Les deux sont respectueux de l'environnement, mais inflammables. Ils n'endommagent pas la couche d'ozone et n'augmentent pas l'effet de serre. Lors du transport et de l'installation de l'unité, il faut veiller à ce qu'aucune pièce du système de refroidissement ne soit endommagée. Une fuite de liquide de refroidissement peut s'enflammer et endommager les yeux.
- En cas de dommage :
 - Évitez les flammes nues et tout ce qui crée une étincelle,

- Débrancher de la ligne électrique,
- Aérer la pièce dans laquelle l'appareil s'est isolé pendant plusieurs minutes, et
- Contactez le service après-vente pour obtenir des conseils.
- Plus il y a de liquide de refroidissement dans une unité, plus la pièce dans laquelle elle doit être installée est grande. En cas de fuite, si l'unité est dans une petite pièce, il existe un risque de formation de gaz combustibles. Pour chaque once de liquide de refroidissement, au moins 325 pieds cubes d'espace dans la pièce sont nécessaires. La quantité de liquide de refroidissement dans l'unité est indiquée sur la plaque signalétique à l'intérieur de l'unité. Il est dangereux pour toute personne autre qu'un technicien de maintenance agréé d'effectuer l'entretien ou les réparations de cet équipement.
- Faites très attention lors de la manipulation, du déplacement et de l'utilisation de l'unité pour éviter d'endommager le tube de réfrigérant ou d'augmenter le risque de fuite.
- Le remplacement des composants et l'entretien doivent être effectués par du personnel d'entretien agréé par l'usine afin de minimiser le risque d'inflammation possible en raison de pièces incorrectes ou d'un entretien inapproprié.



SUIVEZ LES APPELS D'AVERTISSEMENT CI-DESSOUS UNIQUEMENT LORSQU'ILS S'APPLIQUENT À VOTRE MODÈLE

- Utilisez deux personnes ou plus pour déplacer et installer l'unité. Le non-respect de cette consigne peut entraîner des blessures au dos ou autres.
- Pour assurer une ventilation adéquate de votre appareil, l'avant de l'appareil doit être complètement dégagé. Choisissez un endroit bien ventilé avec des températures supérieures à 16 ° C (60 ° F) et inférieures à 32 ° C (90 ° F). [Pour des performances optimales, installez l'unité à un endroit où la température ambiante est comprise entre 72 ° et 78 ° F (23 ° - 26 ° C).] Cette unité doit être installée dans une zone protégée contre les éléments tels que le vent, la pluie, les éclaboussures d'eau ou les gouttes.
- L'appareil ne doit pas être situé à côté de fours, grils ou autres sources de chaleur élevée.
- L'unité doit être installée avec tous les raccordements électriques, d'eau et de vidange conformément aux codes nationaux et locaux. Une alimentation électrique standard (115 V CA uniquement, 60 Hz), correctement mise à la terre conformément au Code national de l'électricité et aux codes et règlements locaux, est requise.
- Ne pliez pas et ne pincez pas le cordon d'alimentation de l'appareil.
- La taille du fusible (ou du disjoncteur) doit être de 15 ampères.
- Il est important que l'équipement soit mis à niveau afin de fonctionner correctement. Vous devrez peut-être faire plusieurs ajustements pour le niveler.
- Toutes les installations doivent être conformes aux exigences du code de plomberie local.
- Assurez-vous que les tuyaux ne sont pas pincés, pliés ou endommagés pendant l'installation.
- Vérifiez les fuites après la connexion.
- Ne laissez jamais les enfants utiliser, jouer avec ou ramper à l'intérieur de l'appareil.
- N'utilisez pas d'agents de nettoyage ou d'abrasifs à base de solvants à l'intérieur. Ces nettoyeurs peuvent endommager ou décolorer l'intérieur.
- N'utilisez cet équipement qu'aux fins pour lesquelles il a été conçu, tel que décrit dans ce manuel d'instructions.
- Gardez les doigts hors des zones de "point de pincement". Les dégagements entre la porte et l'armoire sont nécessairement petits. Soyez prudent en fermant la porte lorsque des enfants se trouvent dans la zone.



Risque de piégeage des enfants!

Le piégeage et la suffocation des enfants ne sont pas des problèmes du passé. Les appareils ménagers en mauvais état ou abandonnés sont toujours dangereux, même s'ils "resteront dans le garage quelques jours".

Avant de jeter votre ancien incubateur réfrigéré:

- Enlevez les portes
- Laissez les étagères en place afin que les enfants ne puissent pas facilement y pénétrer.

-CONSERVEZ CES INSTRUCTIONS-

INSTRUCTIONS D'INSTALLATION

Avant d'utiliser votre équipement

- Retirez l'emballage extérieur et intérieur.

ATTENTION : Après le déballage, vous DEVEZ laisser cet appareil debout pendant au moins 2 heures pour permettre au lubrifiant et au réfrigérant de s'écouler dans le compresseur et de se stabiliser. Le non-respect de cette consigne peut affecter les performances et la durée de vie de cet appareil.

- Nettoyez la surface intérieure à l'eau tiède à l'aide d'un chiffon doux.

Installation de votre équipement

REMARQUE: ne stockez pas et n'installez pas l'appareil à l'extérieur.

- Les unités avec **-BI** dans leur suffixe sont conçues pour être encastrées ou encastrées. Les autres unités répertoriées dans ce manuel sont conçues pour une utilisation autonome. **Tous les modèles sont destinés à une utilisation en intérieur uniquement.**

ATTENTION : Cet équipement est conçu pour l'incubation et le stockage d'échantillons biologiques et de laboratoire uniquement. Ne pas y stocker de boissons, de denrées périssables ni de matériel non destiné au laboratoire.

- Placez le réfrigérateur sur un sol suffisamment solide pour le supporter lorsqu'il est complètement chargé. Pour mettre l'appareil à niveau, ajustez les pieds de nivellement avant.
- Pour une installation autonome, laissez un espace d'au moins **127mm** (5pouces) entre l'arrière, le dessus et les côtés de l'unité. Cela permet une bonne circulation d'air pour refroidir le compresseur et le condenseur pour économiser l'énergie. Même pour une installation encastrée ou intégrée (unités avec "BI" dans le numéro de modèle), il est indispensable de conserver un espace de 6.35 mm ($\frac{1}{4}$ po) de chaque côté et de **2 po** (51 mm) sur le dessus et en arrière. L'évent à l'avant de l'appareil ne doit jamais être couvert ou bloqué de quelque façon que ce soit.

REMARQUE: Il est recommandé de ne pas installer l'appareil à proximité d'un four, d'un radiateur ou d'une autre source de chaleur. La lumière directe du soleil peut affecter le revêtement acrylique et les sources de chaleur peuvent augmenter la consommation électrique. Ne pas installer dans un endroit où la température tombera en dessous de 60°F (16 °C). Pour de meilleures performances, n'installez pas l'unité derrière une porte d'armoire et ne bloquez pas la grille de la base.

- Évitez de placer l'appareil dans des zones humides.
- Branchez l'appareil dans une prise murale exclusive correctement mise à la terre. Ne coupez ou ne retirez en aucun cas la troisième broche (mise à la terre) du cordon d'alimentation. Toute question concernant l'alimentation et/ou la mise à la terre doit être adressée à un électricien certifié ou à un centre de service autorisé.

Connexion Électrique



WARNING

Une mauvaise utilisation de la fiche mise à la terre peut entraîner un risque de choc électrique. Si le cordon d'alimentation est endommagé, faites-le remplacer par un électricien qualifié ou un

Cet appareil doit être correctement mis à la terre pour votre sécurité. Le cordon d'alimentation de cet appareil est équipé d'une fiche à trois broches qui s'accouple avec des prises murales à trois broches standard pour minimiser les risques de choc électrique.

Ne coupez ou ne retirez en aucun cas la troisième broche (terre) du cordon d'alimentation fourni. Pour votre sécurité personnelle, cet équipement doit être correctement mis à la terre.

Cet appareil nécessite une prise électrique standard mise à la terre à trois broches de 115/120 volts CA ~ 60 Hz. Faites vérifier la prise murale et le circuit par un électricien qualifié pour vous assurer que la prise est correctement mise à la terre. Lorsqu'une prise murale standard à 2-broches est rencontrée, il est de votre responsabilité et obligation de la faire remplacer par une prise murale à 3-broches correctement mise à la terre. Pour éviter toute blessure accidentelle, le cordon doit être fixé derrière l'appareil et ne pas être laissé exposé ou suspendu.

L'unité doit toujours être branchée sur sa propre prise électrique individuelle dont la tension nominale correspond à l'étiquette signalétique de l'unité. Cela offre les meilleures performances et empêche également la surcharge des circuits de câblage de la maison qui pourrait entraîner un risque d'incendie par surchauffe. Ne débranchez jamais l'appareil en tirant sur le cordon d'alimentation. Tenez toujours fermement la fiche et tirez tout droit hors de la prise. Réparez ou remplacez immédiatement tous les cordons d'alimentation qui sont effilochés ou autrement endommagés. N'utilisez pas de cordon présentant des fissures ou des dommages par abrasion sur sa longueur ou à l'une ou l'autre extrémité. Lorsque vous déplacez l'équipement, veillez à ne pas endommager le cordon d'alimentation.

Rallonge Electrique

En raison des risques potentiels pour la sécurité dans certaines conditions, il est fortement recommandé de ne pas utiliser de rallonge avec cet équipement. Cependant, si vous devez utiliser une rallonge, il est absolument nécessaire que ce soit une rallonge d'équipement de type 3 fils avec mise à la terre, répertoriée UL/CUL, avec une prise et une prise de mise à la terre et que la puissance électrique du cordon soit de 115 volts et au moins 10 ampères.

Inverser la porte

À moins d'être commandé avec l'option "LHD", votre appareil est livré avec une porte battante à fermeture automatique à droite. Si vous souhaitez inverser la porte pour ouvrir dans la direction opposée, suivez les étapes ci-dessous.

REMARQUE: *l'inversion de la porte annule la fonction de fermeture automatique. Les portes des unités avec le suffixe d'enregistreur de données -DL2B ne sont pas réversibles.*

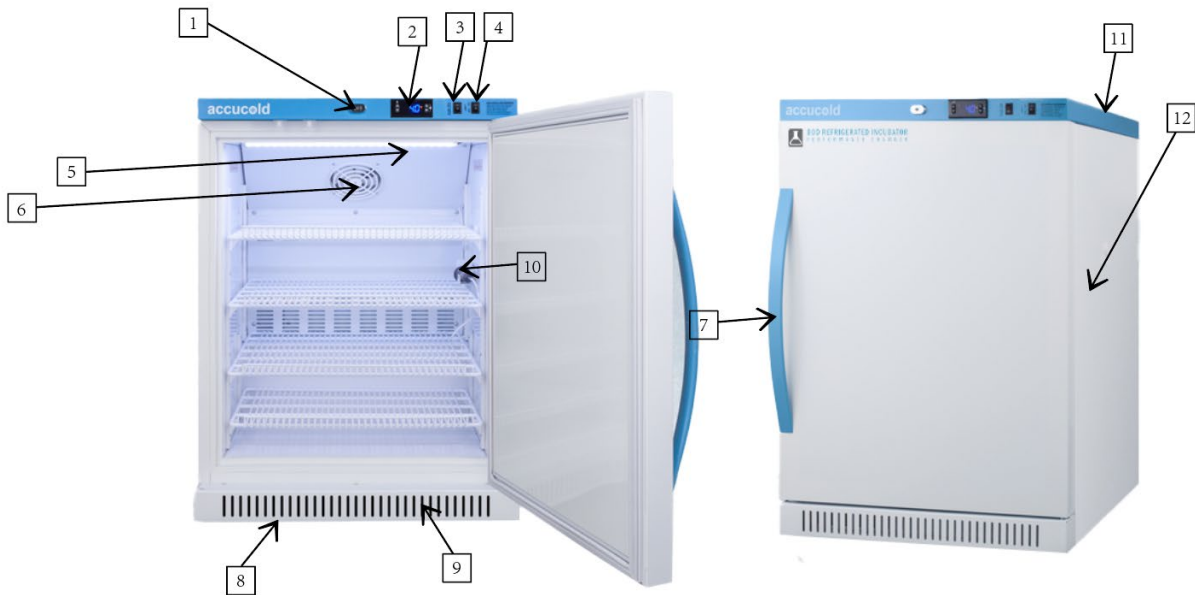
1. Posez soigneusement l'unité sur son dos et retirez les deux pieds de nivellement avant
2. Retirez les deux vis à tête hexagonale qui relient les charnières de la porte au corps au bas de l'unité.
3. Retirez les deux vis à tête plate qui relient l'ensemble de charnière au bas de la porte.
4. Retirez la charnière blanche de la tige carrée
5. Faites glisser la porte vers le bas jusqu'à ce qu'elle se dégage de la charnière supérieure
6. Dévissez l'axe de charnière supérieur de l'unité et réinstallez-le sur le côté gauche.
7. Rabattez la porte pour que la poignée se trouve maintenant sur le côté droit
8. Poussez la porte sur la charnière supérieure.
9. Réinstallez l'ensemble de charnière sur le côté inférieur gauche de la porte à l'aide des vis à tête plate
10. Poussez la charnière blanche sur la tige carrée à 9 heures
11. Tournez la charnière blanche dans le sens des aiguilles d'une montre jusqu'à ce que les trous s'alignent avec les vis situées au bas de l'unité.
12. Remettez en place les vis à tête hexagonale et les pieds de nivellement avant.

REMARQUE: Une fois la porte inversée, l'autocollant de l'incubateur réfrigéré BOD sera à l'envers. Vous pouvez le retirer et le recoller à l'endroit souhaité. Pour obtenir un autocollant de remplacement, contactez notre service des pièces détachées à l'adresse parts@summitappliance.com.

ATTENTION: Après avoir réglé l'unité à la verticale, vous DEVEZ laisser cette unité debout pendant au moins 2 heures pour permettre au lubrifiant et au réfrigérant de s'écouler dans le compresseur et de se stabiliser. Le non-respect de cette consigne peut affecter les performances et la durée de vie de cet appareil.

Période de Stabilisation - Avant utilisation, l'appareil doit être laissé fonctionner et se stabiliser pendant au moins vingt-quatre heures.

EMPLACEMENT DES PIÈCES



- | | |
|---|--|
| 1. Serrure à Clé | 8. Pieds de Nivellement |
| 2. Panneau de Commande du Microprocesseur | 9. Plaque de Protection |
| 3. Interrupteur de Réinitialisation | 10. Capteur de Température dans la Bouteille de Glycol |
| 4. Interrupteur d'Éclairage | 11. Contacts Secs (situés à l'arrière) |
| 5. Lumière Intérieure | 12. Port d'accès – Pour des dispositifs de surveillance supplémentaires de la zone utilisable à l'intérieur de l'unité |
| 6. Ventilateur Interne | |
| 7. Poignée | |

Spécification

Modèle	ABOD6	ABOD15	ABOD18
Température de fonctionnement	0-38°C, RH 20-75%		
Température de fonctionnement	4-60°C (39.2 - 160 °F)		
Altitude	Up to 2000M		
Température de transport	-15°C – 50°C (5°F – 122°F)		
Température de stockage	40-60°C / 104-140°F		
Capacité (L)	168	448	550
Tension nominale	AC110V		
Fluctuations du réseau	±10%		
Fréquence	60Hz		
Courant nominal	2.9A	4.7A	4.7A
Puissance de refroidissement	102W	200W	220W
Puissance de chauffage	300W	500W	500W
Chargement des étagères	20kg (44 lbs.) each		
Degré de pollution	2		
Dimensions du produit (mm) (L x P x H)	595*611*840 23" x 24" x 33"	595*611*1820 23" x 24" x 72"	700*660*2020 28" x 26" x 80"
Poids net	54.96 kg. 121.1 lbs.	90.5 kg 199.6 lbs.	123 kg. 269 lbs.
Réfrigérant	R600a	R600a	R290
Quantité de remplissage	1.34 oz	2.43 oz	3.0 oz
Vésicant	Cyclopentane		

FONCTIONNEMENT – GUIDE D'INSTALLATION RAPIDE

Cette section présente le fonctionnement de votre incubateur réfrigéré. **Pour des instructions plus détaillées sur le réglage des paramètres du panneau de commande, reportez-vous à la page 30.** Une fois branché, l'écran affichera la température interne du produit et le compresseur se mettra en marche. Le voyant correspondant s'allumera également sur le panneau de commande.

Présentation des capteurs :

L'appareil utilise deux capteurs :

- **Capteur de produit** (capteur d'affichage): Surveille la température du produit.
- **Capteur d'air** (capteur de contrôle): Surveille la température de l'air pour contrôler le processus de réfrigération.

Pour des performances optimales, le capteur d'air réagit rapidement aux changements de température, tels que le chargement du produit et l'ouverture des portes. Il peut être nécessaire de régler le contrôleur à une température inférieure à celle souhaitée pour le produit, car la température de l'air doit être inférieure pour refroidir efficacement le produit.

La température affichée est celle du produit enregistrée par le capteur de produit à l'intérieur d'un flacon rempli de glycol situé dans l'appareil. À mesure que l'incubateur réfrigéré atteint la température de consigne, la température affichée diminue. Le flacon de produit met plus de temps à atteindre la température souhaitée que l'air à l'intérieur de l'appareil.

Panne de courant

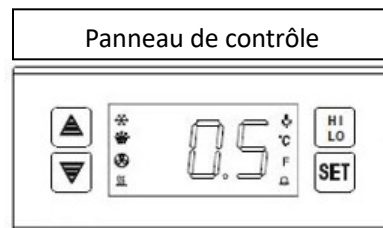
En cas de coupure de courant, attendez au moins 5 minutes avant de rebrancher l'appareil afin d'éviter d'endommager le compresseur.

Dispositif de contrôle et de mesure de la température (TMD)

Réglage de la température de fonctionnement

L'appareil est pré-réglé à 20 °C. Réglez la température jusqu'à atteindre la température souhaitée. L'affichage indiquera la température actuelle.

Pour modifier la température de consigne, appuyez sur la touche **SET**. La température de consigne s'affiche. Dans les 10 secondes, appuyez sur les flèches **HAUT** ou **BAS** pour régler la température. Appuyez à nouveau sur la touche **SET** pour confirmer la nouvelle température de consigne.



Alarme de température haute/basse

- Alarme de température basse: Si la température de l'air dans l'incubateur réfrigéré descend en dessous du seuil d'alarme basse, une alarme retentit. Le panneau avant affiche [LO] clignotant en alternance avec la température actuelle.
- Alarme de température haute: Si la température de l'air dépasse le seuil d'alarme haute, une alarme retentit. Le panneau avant affiche [HI] clignotant en alternance avec la température actuelle.
- Alarme de température élevée du produit: Si la température du produit dépasse le seuil d'alarme haute, le panneau avant affiche [H2] clignotant en alternance avec la température actuelle.

Investigate the potential cause immediately if any of the alarms occur. The unit should be monitored to ensure that it returns to the correct temperature.

Ajustez les points de consigne des alarmes en fonction de vos besoins dans la configuration des paramètres. (voir page 33)

Alarme de panne de courant

Après avoir branché l'appareil, placez le **bouton de réinitialisation** situé à l'avant de l'appareil en position basse. En cas de coupure de courant, une alarme retentit et s'éteint une fois le courant rétabli. **L'alarme est alimentée par batterie et son temps de déclenchement est limité.**

Enregistrement des températures minimales et maximales

Une fois branché, votre appareil enregistre les températures maximales et minimales atteintes à l'intérieur de l'armoire. L'écran affiche les dernières températures maximales et minimales enregistrées jusqu'à la réinitialisation de l'appareil.

- Pour afficher la valeur HI, appuyez brièvement sur le bouton HI/LO.
- Pour afficher la valeur LO, appuyez brièvement sur le bouton HI/LO.

Pour réinitialiser l'enregistrement de la température min/max

Maintenez le bouton **HI/LO** enfoncé pendant 6 secondes. Pour confirmer l'opération, l'écran clignote et un signal sonore retentit. Après 5 secondes, l'affichage revient à la normale.

Modification de l'affichage de la température

La température par défaut de l'appareil est réglée en degrés Celsius. Si vous préférez afficher la température en degrés Fahrenheit, suivez ces étapes :

1. Accès au mode mot de passe: Appuyez sur le bouton **SET** et maintenez-le enfoncé jusqu'à ce que l'écran affiche [PAS].
2. Saisie du mot de passe: Utilisez les flèches **HAUT** et **BAS** pour saisir le mot de passe (la valeur par défaut est 15).
3. Accès aux paramètres: Après avoir saisi le mot de passe, appuyez environ 25 fois sur le bouton **SET** jusqu'à ce que [CF] s'affiche.
4. Passage en degrés Fahrenheit: Appuyez sur la flèche **BAS** jusqu'à ce que l'écran affiche °F.
5. Enregistrement du réglage: Appuyez sur **SET** et attendez 6 secondes. Le nouveau réglage est enregistré et l'appareil reprend son fonctionnement normal avec la température affichée en degrés Fahrenheit.

Éclairage intérieur

Votre appareil est équipé d'un éclairage LED qui s'allume automatiquement à l'ouverture de la porte. Si vous préférez que l'éclairage reste allumé même lorsque la porte est fermée, placez l'interrupteur sur la position **ON**.

Alarme de porte

Si la porte reste ouverte plus de 2 minutes, une alarme retentit. Fermez la porte pour arrêter l'alarme.

Alarme à distance

Le contrôleur électronique est équipé de contacts secs pour la transmission de l'alarme à un système d'alarme à distance externe (via le bornier situé à l'arrière de l'appareil).

REMARQUE : Les contacts à distance sont normalement FERMÉS et OUVERTS en cas d'alarme. Pour modifier la sortie sur OUVERT et FERMÉ en cas d'alarme, voir le point **C12** du « Tableau des paramètres et réglages d'usine ». Remplacez le paramètre **C12** par **00** au lieu de **01**.

Port de sonde

Cet appareil est équipé d'un port de sonde de 3/8" et d'une prise permettant d'installer des dispositifs de surveillance supplémentaires. Il est conseillé de positionner le dispositif de surveillance de température supplémentaire dans la zone utilisable nette (idéalement à l'intérieur, près du capteur de produit).

Résumé des Types d'Alarmes

TYPE D'ALARME	ÉCRAN CLIGNOTE
Alarme haute température de l'air	HI delay alarm
Alarme de température basse de l'air	LO delay alarm
Capteur de température d'air court-circuité	1H dans l'alarme de temps
Capteur de température de l'air en circuit ouvert	1L dans l'alarme de temps
Capteur de température du produit court-circuité	2H dans l'alarme de temps
Capteur de température de l'air en circuit ouvert	2L dans l'alarme de temps
Alarme de température élevée du produit	H2 delay alarm
Alarme de température basse du produit	L2 delay alarm
Alarme de coupure d'alimentation électrique	EEL clignote et alarme à temps
Alarme de délai d'ouverture de porte	Dr clignote et alarme retardée

Stockage d'Articles

- Au niveau de chargement maximum, le contenu ne doit pas bloquer la circulation d'air du réfrigérateur ou être chargé au-dessus de la ligne de charge.
- Laissez de l'espace autour du contenu pour permettre une circulation régulière d'air froid à l'intérieur de l'armoire. Pour éviter le gel, assurez-vous que les articles ne touchent pas l'arrière de l'armoire intérieure.
- Stockez les articles loin du ventilateur intérieur.
- Les étagères peuvent être ajustées pour permettre une bonne circulation de l'air autour des produits stockés.

GUIDE DÉTAILLÉ DU CONTRÔLEUR DE TEMPÉRATURE



Fonctionnement du panneau avant

Réglage de la température de consigne (température supérieure du compresseur):

1. Appuyez sur le bouton **SET** pour afficher la température de consigne. Appuyez ensuite sur les flèches **HAUT** ou **BAS** pour mémoriser. Appuyez sur le bouton **SET** pour quitter le réglage et afficher la température du réfrigérateur. Si vous n'appuyez sur aucun autre bouton dans les 6 secondes, la température du réfrigérateur s'affiche.
2. Plage de réglage de la température : Paramètres E1 à E2

Démarrage/arrêt manuel du dégivrage :

Appuyez sur le bouton **HI/LO**, puis sur le bouton **SET** et maintenez-le enfoncé pendant 6 secondes pour activer ou arrêter le dégivrage.

Affichage de la température du capteur (C13) :

Appuyez sur la flèche **BAS** ; la température du produit (ou de l'armoire) clignote. Après 6 secondes, l'affichage normal reprend.

Voyant de réfrigération :

Pendant la réfrigération, le voyant en forme de flocon de neige est allumé. Lorsque la température est constante, il est éteint.

Voyant de dégivrage :

Pendant le dégivrage (s'il est activé), le voyant de dégivrage est allumé. Pendant le délai suivant le dégivrage, le voyant clignote.

Configuration et réglages des paramètres (sauf la température de consigne) :

Appuyez sur le bouton **SET** pendant 6 secondes pour accéder au réglage des paramètres (PAS clignote et s'affiche). Après avoir saisi le mot de passe correct (15 par défaut), appuyez sur **SET** ; l'écran affichera successivement E1, E2, ... à 3 PAS. Appuyez sur les flèches **HAUT** ou **BAS** pour afficher la valeur du paramètre, la modifier et l'enregistrer. Si vous n'appuyez sur aucun autre bouton dans les 6 secondes, l'appareil quittera l'écran et enregistrera la nouvelle valeur.

REMARQUE : La valeur du paramètre ne peut être modifiée qu'à partir du menu des paramètres internes (affichage PAS) et avec le mot de passe correct. Si le mot de passe est incorrect, la modification du paramètre sera interrompue, mais le réglage de la température de consigne restera actif. En cas d'oubli du mot de passe, vous devrez rétablir les paramètres d'usine.

Voici quelques exemples de modification des paramètres courants:

- A. **SAISIE DU MOT DE PASSE** : appuyez sur le bouton **SET** et maintenez-le enfoncé pendant 6 secondes jusqu'à ce que [PAS] clignote, puis saisissez le mot de passe par défaut (**15**) à l'aide des flèches **HAUT** et **BAS**. Une fois **15** atteint, appuyez sur le bouton **SET**.
- B. **AFFICHAGE EN °F AU LIEU DE °C** : après avoir saisi le mot de passe, appuyez environ 25 fois sur le bouton **SET** pour afficher [CF], puis appuyez sur les flèches **HAUT** ou **BAS** jusqu'à ce que la commande affiche [°F]. Appuyez ensuite sur **SET**. Attendez 6 secondes pour que la température soit réglée et que l'appareil revienne à son fonctionnement normal.
- C. **REGLAGE DE L'ALARME DE TEMPERATURE ELEVEE** : après avoir saisi le mot de passe, appuyez sur le bouton **SET** jusqu'à l'affichage [C1], puis appuyez sur les flèches **HAUT** ou **BAS** jusqu'à ce que la commande affiche le réglage souhaité. Appuyez ensuite sur **SET**. Attendez 6 secondes pour que la température soit réglée et que l'appareil revienne à son fonctionnement normal.
- D. **REGLAGES DE L'ALARME DE MANQUE D'AIR** : après avoir saisi le mot de passe, appuyez sur le bouton **SET** jusqu'à l'affichage [C2], puis appuyez sur les flèches **HAUT** ou **BAS**. Le réglage souhaité s'affiche. Appuyez ensuite sur **SET**. Attendez 6 secondes. Le réglage est effectué et l'appareil revient en fonctionnement normal.
- E. **REGLAGES DE L'ALARME DE PRODUIT ELEVE** : après avoir saisi le mot de passe, appuyez sur le bouton **SET** jusqu'à l'affichage [C3H], puis appuyez sur les flèches **HAUT** ou **BAS**. Le réglage souhaité s'affiche. Appuyez ensuite sur **SET**. Attendez 6 secondes. Le réglage est effectué et l'appareil revient en fonctionnement normal.
- F. **REGLAGES DE L'ALARME DE PRODUIT FAIBLE** : après avoir saisi le mot de passe, appuyez sur le bouton **SET** jusqu'à l'affichage [C3L], puis appuyez sur les flèches **HAUT** ou **BAS**. Le réglage souhaité s'affiche. Appuyez ensuite sur **SET**. Attendez 6 secondes. Le réglage est effectué et l'appareil revient en fonctionnement normal.
- G. **AUTRES PARAMETRES DANS LES « REGLAGES D'USINE »** : saisissez le mot de passe, puis appuyez sur le bouton **SET** jusqu'à ce que le paramètre souhaité s'affiche. Appuyez ensuite sur les flèches **HAUT** ou **BAS** jusqu'à ce que le réglage souhaité s'affiche, puis appuyez à nouveau sur le bouton **SET**. Attendez 6 secondes pour que le réglage soit effectué et que l'appareil revienne à son fonctionnement normal.

Recording The Highest and Lowest Temperature

Une fois allumé et après le délai [C5], l'appareil commence à enregistrer les températures les plus élevées et les plus basses ; l'enregistrement peut être actualisé à tout moment. Les valeurs sont conservées en mémoire même après la mise hors tension. Appuyez sur le bouton **HI/LO** pour afficher la température la plus élevée enregistrée. Appuyez à nouveau pour afficher la température la plus basse. Maintenez le bouton **HI/LO** enfoncé pendant 6 secondes pour faire clignoter l'écran et déclencher un signal sonore ; les précédentes températures les plus élevées et les plus basses seront effacées et un nouvel enregistrement commencera. (Instructions pour l'enregistrement des températures les plus élevées et les plus basses : lorsque le paramètre **F4 = 0**, l'appareil peut enregistrer les températures les plus élevées et les plus basses à tout moment. Lorsque **F4 = 1, 2, 3**, pendant le dégivrage et le verrouillage du délai de 20 minutes, les températures les plus élevées et les plus basses ne sont pas enregistrées.

En cas de défaillance du capteur d'air, les températures maximales et minimales ne sont pas enregistrées. Lorsque C13 est réglé sur 00, la température dans la bouteille de liquide est enregistrée ; lorsque C13 est réglé sur 01, la température de l'air dans l'armoire est enregistrée. La température du produit correspond à celle du liquide dans la bouteille.

Rétablissement des paramètres d'usine

Appuyez sur la flèche **BAS** et maintenez-la enfoncée ; appuyez simultanément sur la flèche **HAUT** et maintenez-la enfoncée pendant 6 secondes. L'écran clignote et affiche [888]. Tous les paramètres reviennent alors aux valeurs d'usine par défaut. Après 6 secondes, le mode de fonctionnement normal est rétabli.

Pour vérifier ou modifier le mot de passe :

Accédez au menu des paramètres internes (écran PAS) et saisissez le mot de passe correct. Après avoir saisi le paramètre interne PAS, appuyez sur les flèches **HAUT** ou **BAS** pour afficher et modifier le mot de passe, puis appuyez sur **HI/LO** pour confirmer et enregistrer le nouveau mot de passe.

Tableau des paramètres et réglages d'usine

Paramètres	Fonction	Définir l'intervalle	Défaut	Paramètres	Fonction	Définir l'intervalle	Défaut
Set	Point de consigne		4.0°C	C3H	Temp du produit. Haute température. Alarme	C3L~80.0°C/176°F	70° C / 158 °F
PAS	Mot de passe	00~99	15	C3L	Temp du produit. Bas température. Alarme	-40°C/~40°F~C3L	0.0° C / 32. 0°F
E1	Limite de point de consigne la plus basse	set temp. ~-35°C / 31°F	40°C / 39.0°F	C4	Alarmed'hystérésis	0.1~20.0°C /0.2~36.0°F	0.1°C /0.2°F
E2	Limite supérieure du point de consigne	80.0°C / 176.0°F ~set temp.	10.0°C /50°F	C5	Temp de démarrage. Délai d'alarme	00~99 min	30min
E30	Temp. Hystérèse	0.1~20.0°C/0.2~36.0°F	1.5°C /2.7°F	C6	Temp. Délai d'alarme	00~99 min	15 min
E31	Température de chauffage. hystérésis	0.1~20.0°C / 0.2~36.0°F	1.5°C / 2.7°F				
E40	Délai d'activation	00 ~10min.	3 min.	C7	Alarme de relais de mise en tension	00=net'alarme pas/ 01= alarm	01
E41	Comp. délai de démarrage	00 ~10 min.	3 min.	C8	Relais d'alarme fermé après, interrupteur de relais d'alarme silencieux	00=ouvert / 01=fermé	00
E5	Décalage sur la température de l'air	-10.0~-10.0°C / -18.0~-18.0°F	2.0°C / 3.6°F	C9	Temps de redémarrage après la coupure du buzzer	00 = ne pas démarrer / 01 ~ 30 min = temps de redémarrage	10 min
E6	Décalage sur la température du produit.	-10.0~-10.0°C / -18.0~-18.0°F	0.0°C / 0.0°F	C10	Comp. Forcer l'heure d'arrêt	01~99 min	99 min
F0	Type de dégivrage	00 =dégivrage par rotation de comp.	00	C11	Comp. Forcer le temps de fonctionnement	00 = comp. Stop / 01-99min = heure de début	0 min
F1	Durée de dégivrage	01~60 min.	20 min.	C12	Type de sortie d'alarme	00 =activation du contact en cas d'alarme / 01 =coupure du contact en cas d'alarme	01
F2	Intervalle de déshiel	00~24 hr.	00	C13	État normal temp. Type d'affichage	00=température de la bouteille de liquide / 01 = Température de l'air de l'armoire.	00
F4	Indication de la température pendant la décongélation	00= Visualización normal de la temperatura ; 01=Muestra la temperatura al principio ; 02=Indicación fija de la temperatura ; 03=La temperatura de la muestra 'dEF'	00	CF	Unité de température	°C=Celsius / °F=Fahrenheit	°C
C0	Temps de retard de conversion chaud et froid	00-30min	02min	do1	Alarme ouverte de porte	00 = pas d'alarme / 01 = 99 min =alarme retardée	02min
C1	Alarme d'air haute température	C2~80.0°C / 176.0°F	70.0°C / 158°F	do2	Comp. status when door open	0 = arrêt / 01 = état d'origine	0 1
C2	Alarmed'air basse température	-40°C / -40°F~C1	0.0°C / 32.0°F	do3	Sélection du mode de contrôle de chauffage	00=Contrôlé par des paramètres 01 =Contrôle intelligent PID	00

DÉTAILS DE LA FONCTION

Contrôle de la température: après avoir allumé l'unité et atteint le temps de retard (paramètre E40), le compresseur commence à fonctionner lorsque la température de l'armoire est supérieure à (température de consigne + hystérésis) et s'éteint lorsque la température de l'armoire est inférieure à la température de consigne. Pour protéger le compresseur, il ne peut être redémarré que si le temps après l'arrêt du compresseur est plus long que le temps de retard (paramètre E41).

Commande de dégivrage: Après avoir fonctionné pendant un intervalle de temps de dégivrage défini (paramètre F2), l'unité entrera en dégivrage et le compresseur s'arrêtera. Lorsque la durée de dégivrage (paramètre F1) se termine, il sort de l'état de dégivrage. Après la fin d'une période de dégivrage, il y aura 2 minutes de temps d'égouttement avant que l'unité puisse entrer en état de réfrigération.

- Lorsque l'intervalle de dégivrage F2 est réglé sur "00", le dégivrage automatique par arrêt du compresseur sera annulé.
- Lorsque le paramètre F4 est réglé sur "0", la température s'affiche normalement pendant le dégivrage.
- Lorsque le paramètre F4 est réglé sur "1", la température de l'armoire est verrouillée pendant le dégivrage et la dernière valeur avant le dégivrage s'affiche. À la fin du dégivrage, l'affichage normal reprend après un délai de 20 minutes d'affichage de la température (ou une température de l'armoire inférieure à la température réglée). La LED de dégivrage clignote pendant la temporisation.
- Lorsque le paramètre F4 est réglé sur "2", la température de consigne sera affichée pendant le dégivrage.
- À la fin du dégivrage, l'affichage normal reprend après un délai de 20 minutes (ou une température de l'armoire inférieure à la température réglée). La LED de dégivrage clignote pendant la temporisation.
- Lorsque le paramètre F4 est réglé sur "3", dEF s'affiche pendant le dégivrage. À la fin du dégivrage, l'affichage normal reprend après un délai de 20 minutes d'affichage d'EF (ou température de l'armoire inférieure à la température réglée). La LED de dégivrage clignote pendant la temporisation.

Contrôle d'alarme: après la première mise sous tension, l'unité devra atteindre le réglage du temps de retard C5, puis la fonction d'alarme de température haute/basse peut être déclenchée (C1, C2, C3). Après avoir dépassé le délai C5, lorsque la température de l'armoire est anormale (par exemple supérieure à l'alarme de température C1 ou inférieure à l'alarme de température C2) et que la durée est supérieure au temps de retard d'alarme C6, l'unité entrera dans l'état d'alarme, début d'alarme.

Lorsque l'alarme de température élevée alterne l'affichage H1 et la température de l'air de l'armoire, le compresseur commence à fonctionner. Lorsque l'alarme de basse température alterne l'affichage L0 et la température de l'armoire, le compresseur s'arrête. Lorsque la température de l'armoire est supérieure à (valeur d'alarme basse température C2 + hystérésis d'alarme C4), l'alarme basse température s'arrête. Lorsque la température de l'armoire est inférieure à (valeur d'alarme haute température C1 - hystérésis d'alarme C4), l'alarme haute température s'arrête.

Lorsque la température du capteur de produit est supérieure à ou égale à la valeur d'alarme de température élevée de température du produit C3 et que la durée est supérieure au temps de retard d'alarme C6, l'unité entre en état d'alarme et démarre l'alarme, affichage alternatif de H2 et de température de l'armoire. Lorsque la température du capteur de produit est inférieure ou égale à (valeur d'alarme de haute température C3 - hystérésis d'alarme C4), l'alarme de haute température est terminée.

Lorsque l'alimentation électrique est coupée, clignote et affiche EEL et alarme. Lorsque le réglage do1 est réglé sur "00", l'unité ne déclenchera pas d'alarme lorsque la porte est ouverte. Lorsque le réglage do1 est réglé sur "0", une fois que l'unité atteint le temps de retard, elle clignote et affiche une alarme Dr, appuyez sur le bouton aléatoire pour annuler.

Si le réglage C7 est réglé sur "0", le relais de l'unité n'émet pas d'alarme lorsque l'alimentation est coupée.

Si le réglage C8 est réglé sur "0", alors une fois l'alarme annulée, le relais d'alarme ne se ferme pas. Si C9 est réglé sur "0", puis après avoir appuyé sur le bouton d'annulation d'alarme, l'avertisseur ne redémarre pas.

Si vous définissez d'autres nombres, le buzzer retentit une fois de plus après avoir atteint le temps de retard. (Sous la condition d'alarme ne se terminant pas)

Mode de travail anormal: Lorsque le capteur d'air est court-circuité ou que la température dépasse la limite ($> 66 \text{ }^{\circ}\text{C} / 151 \text{ }^{\circ}\text{F}$), "1H" s'affiche; lorsque le capteur d'air est en circuit ouvert ou que la température basse dépasse la limite ($< -40 \text{ }^{\circ}\text{C} / \text{ }^{\circ}\text{F}$) "1L" s'affiche. Le compresseur entre en mode de fonctionnement forcé, conformément aux paramètres définis C10, C11 fonctionnant en séquence.

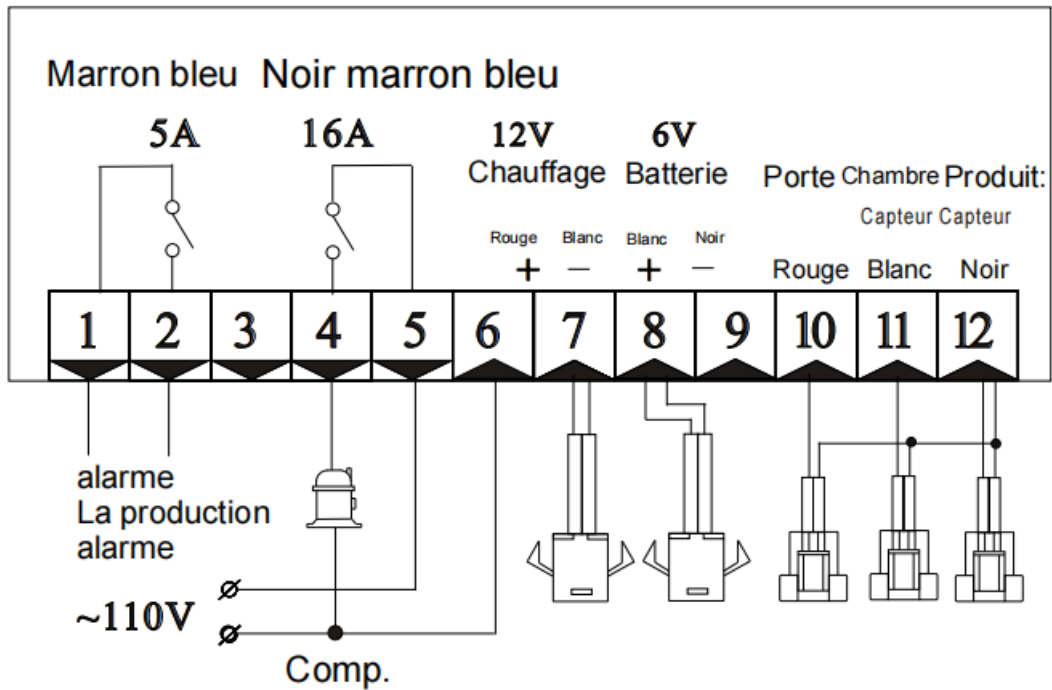
Lorsque le capteur de produit est court-circuité, en circuit ouvert ou au-dessus de la limite ($> 66 \text{ }^{\circ}\text{C} / 151 \text{ }^{\circ}\text{F}$), affichage alterné 2H et température de l'air, capteur de température du produit en circuit ouvert ou dépassement de la limite de basse température ($< -40 \text{ }^{\circ}\text{C} / \text{ }^{\circ}\text{F}$), affichage alterné 2L et température de l'air.

Liste d'indications d'alarme de fonctionnement de l'instrument

Alarme type	Compresseur en marche	Affichage clignote
alarme de température élevée de l'incubateur réfrigéré	Compresseur en marche	H1 alarme retardée
alarme de basse température de l'incubateur réfrigéré	Compresseur éteint	L0 alarme retardée
Temp. De l'air capteur court-circuité	Appuyez sur C10, C11 pour exécuter le comp.	1H dans l'alarme de temps
Temp. De l'air capteur en circuit ouvert	Appuyez sur C10, C11 pour exécuter le comp.	1L dans l'alarme de temps
Produit temp. capteur court-circuité		2H dans l'alarme de temps
Product temp. sensor open-circuited		2L dans l'alarme de temps
Température du produit haute température.	Alarme de limite	H2 alarme retardée
Température du produit basse temp.	Alarme de limite	L2 alarme retardée
Alarme de coupure d'alimentation électrique		EEL clignote et alarme à temps
Alarme de délai d'ouverture de porte		Dr alarme clignotante et retardée

Lorsque la porte est ouverte, l'interrupteur d'éclairage peut allumer et éteindre la lumière.

Schéma



- Lorsque la porte est fermée, contact normal de fermeture
- Lorsque la porte est ouverte, le contact est déconnecté

Notes pour l'Installation:

1. Les fils du capteur doivent être séparés des fils de tension principale afin d'éviter le bruit à haute fréquence induit. Séparez l'alimentation électrique des charges de l'alimentation électrique du contrôleur.
2. Lors de l'installation, le capteur doit être placé avec la tête vers le haut et le fil vers le bas
3. Le régulateur de température ne doit pas être installé dans une zone où l'eau goutte

NETTOYAGE & ENTRETIEN

Avant de nettoyer l'appareil, il est essentiel de débrancher l'appareil du secteur et de transférer son contenu dans un endroit où il pourra être stocké et surveillé à la température appropriée.

- Lavez le compartiment intérieur à l'eau tiède et au détergent neutre. NE PAS mouiller le panneau de commande, les câbles ou la prise. N'utilisez JAMAIS de détergents corrosifs, de brosses métalliques ou d'éponges abrasives pour nettoyer votre incubateur réfrigéré. N'utilisez JAMAIS d'outils métalliques ou tranchants pour enlever les débris.
- Séchez soigneusement toutes les surfaces.
- Pour garantir un fonctionnement optimal, le condenseur doit être nettoyé tous les trois mois, si nécessaire, à l'aide d'un aspirateur. Le condenseur est situé à l'arrière de l'armoire. Dans les endroits particulièrement poussiéreux, il doit être nettoyé plus souvent.
- Lors du transport de l'appareil, veillez à le maintenir à la verticale, avec un angle d'inclinaison d'au moins 50° entre les côtés de l'incubateur réfrigéré et le plan horizontal. Dans le cas contraire, le compresseur pourrait être affecté et le fonctionnement normal de l'appareil pourrait être perturbé.

DÉPANNAGE

Vous pouvez résoudre facilement de nombreux problèmes courants, ce qui vous évite le coût d'un éventuel appel de service. Essayez les suggestions ci-dessous pour voir si vous pouvez résoudre le problème avant d'appeler le réparateur.

Problèmes	Causes possibles	Remède
L'appareil ne fonctionne pas	Mauvaise connexion de la fiche ou fusible grillé	Débranchez le cordon d'alimentation et rebranchez la fiche à l'alimentation électrique ou remplacez-la par un nouveau fusible
Fonctionnement anormal du compresseur ou il y a un bourdonnement	La tension d'alimentation est hors de la plage nominale	Débranchez immédiatement l'alimentation électrique et reconnectez-la après une tension normale. Il est nécessaire de disposer d'un stabilisateur de tension en cas de mauvaise alimentation.
Le compresseur fonctionne pendant une longue période et pas de givre à la surface de	Le système de réfrigération est en panne (fuite ou bloqué)	Appel au service
Il y a du givre ou de la glace sur les parois de l'armoire intérieure et la température interne est trop basse, le	Le thermostat ne fonctionne pas	Appel au service
	Le réglage de température du thermostat est trop bas.	Ajuster à une température plus élevée
La température interne	Mauvaise dissipation thermique et ventilation du condenseur	Améliorez la ventilation
est trop élevée et le compresseur ne s'arrête jamais de fonctionner.	Trop d'articles chauds ont été mis en même temps	Retirez certaines marchandises pour que l'air puisse circuler
	La porte est ouverte trop fréquemment pendant le refroidissement initial	Permettre à l'unité de refroidir correctement, empêcher l'accès au produit pendant cette phase
Trop bruyant	L'unité n'est pas de niveau	Ajustez les pieds réglables
	La fixation de l'unité est desserrée	Reserrez la fermeture
	Le tuyau près du compresseur se touche	Séparez soigneusement les tuyaux en contact
Le côté de l'appareil est chaud	Le condenseur dans la paroi latérale dégage de la chaleur dans le cadre du fonctionnement	Rien à craindre.
Parfois, un léger bruit d'eau qui coule sera entendu	Fluide frigorigène circulant à l'intérieur du tuyau	Rien à craindre
Il peut y avoir de la condensation sur la porte vitrée	Température ambiante élevée ou conditions humides	Sécher avec un chiffon

L'écran affiche "So" et le compresseur ne	Le capteur de température est en circuit ouvert	Appel au service
L'écran affiche "SC" et le compresseur ne fonctionne pas	Le capteur de température est court-circuité.	Appel au service
L'écran affiche "HH" et le compresseur ne fonctionne pas	La température ambiante est supérieure à 40 °C / 104 °F	Arrêtez d'utiliser immédiatement
L'écran affiche «LL» et le compresseur ne fonctionne pas	La température ambiante est inférieure à -40 °C / -40 °F.	Arrêtez d'utiliser immédiatement

Si vous continuez à rencontrer des problèmes, contactez le service d'assistance technique d'Accucold au **1-888-4-MEDLAB**.

INFORMATIONS TECHNIQUES

Numéros de modèle	Capacité brute pi ³ .	Capacité intérieure nette utilisable pi ³ .
ABOD6	6.00	4.40
ABOD15	15.00	12.10
ABOD18	18.00	17.40

REMARQUES

GARANTIE LIMITÉE

GARANTIE LIMITÉE DE DEUX ANS

Dans les 48 États-Unis contigus, pendant deux ans à compter de la date d'achat, lorsque cet appareil est utilisé et entretenu selon les instructions jointes ou fournies avec le produit, le garant paiera les pièces spécifiées par l'usine et la main-d'œuvre de réparation pour corriger les défauts de matériaux ou de fabrication. Le service doit être fourni par une entreprise de service désignée. En dehors des 48 états, toutes les pièces sont garanties pendant deux ans à partir des défauts de fabrication. Les pièces en plastique, les étagères et les armoires sont garanties comme étant fabriquées selon des normes commercialement acceptables et ne sont pas couvertes contre les dommages pendant la manipulation ou la casse.

GARANTIE DE CINQ ANS DU COMPRESSEUR

1. Le compresseur est couvert pendant cinq ans.
2. Le remplacement n'inclut pas la main-d'œuvre.

LE GARANT DES ARTICLES NE PAYERA PAS POUR :

1. Service Les appels de service pour corriger l'installation de votre équipement, pour vous expliquer comment utiliser votre équipement, pour remplacer ou réparer des fusibles ou pour corriger le câblage ou la plomberie.
2. Les appels de service pour réparer ou remplacer les ampoules ou les étagères cassées. Les pièces consommables (comme les filtres) sont exclues de la couverture de la garantie.
3. Les dommages résultant d'un accident, d'une altération, d'une mauvaise utilisation, d'un abus, d'un incendie, d'une inondation, d'un cas de force majeure, d'une mauvaise installation, d'une installation non conforme aux codes électriques ou de plomberie, ou de l'utilisation de produits non approuvés par le garant.
4. Les pièces de rechange ou les frais de main-d'œuvre de réparation pour les unités exploitées hors des États-Unis.
5. Les réparations de pièces ou de systèmes résultant de modifications non autorisées apportées à l'unité.
6. Le retrait et la réinstallation de votre appareil s'il est installé dans un endroit inaccessible ou n'est pas installé conformément aux instructions d'installation publiées.

EXCLUSION DE GARANTIES IMPLICITES ; LIMITATION DES RECOURS

LE SEUL ET EXCLUSIF RECOURS DU CLIENT EN VERTU DE CETTE GARANTIE LIMITÉE SERA LA RÉPARATION DU PRODUIT COMME PRÉVU ICI. LES GARANTIES IMPLICITES, Y COMPRIS LES GARANTIES DE QUALITÉ MARCHANDE OU D'ADÉQUATION À UN USAGE PARTICULIER, SONT LIMITÉES À UN AN. LE GARANT NE SERA PAS RESPONSABLE DES DOMMAGES INDIRECTS OU INDIRECTS. CERTAINS ÉTATS NE PERMETTENT PAS L'EXCLUSION OU LA LIMITATION DES DOMMAGES INDIRECTS OU INDIRECTS, OU LES LIMITATIONS SUR LA DURÉE DES GARANTIES IMPLICITES DE QUALITÉ MARCHANDE OU D'ADAPTATION, CES EXCLUSIONS OU LIMITATIONS PEUVENT NE PAS S'APPLIQUER À VOUS. CETTE GARANTIE VOUS DONNE DES DROITS JURIDIQUES SPÉCIFIQUES ET VOUS POUVEZ ÉGALEMENT AVOIR D'AUTRES DROITS QUI VARIENT D'UN ÉTAT À L'A



AVERTISSEMENT : ce produit peut vous exposer à des produits chimiques, y compris le nickel (métallique) qui est connu dans l'État de Californie pour provoquer le cancer.

Pour plus d'informations, rendez-vous sur www.P65Warnings.ca.gov

Remarque : le nickel est un composant de tout l'acier inoxydable et de certaines autres compositions métalliques.

Accucold Division of Felix Storch, Inc.
An ISO 9001:2015 registered company
770 Garrison Avenue
Bronx, NY 10474
www.accucold.com

accucold.
Pour la commande de pièces et d'accessoires, le dépannage et des conseils utiles, visitez :
www.accucold.com/support

Révisé 2025-02-19