

VEVOR

Affordable. Reliable. Home Improvement.

METAL DOOR AWNING

USER MANUAL

MODEL:CGW-80INCH

Technical Support and E-Warranty Certificate

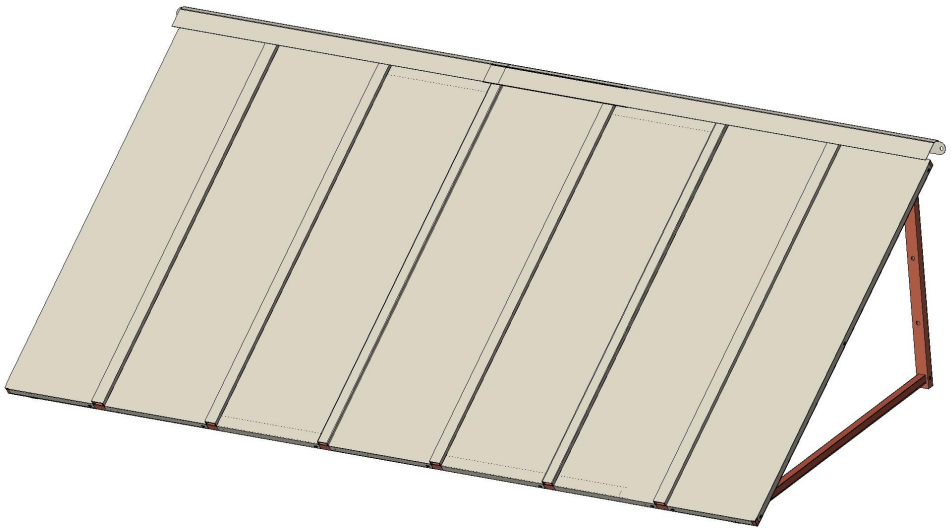
www.vevor.com/support

VEVOR

Affordable. Reliable. Home Improvement.

METAL DOOR AWNING

MODEL: CGW-80INCH



This is the original instruction, please read all manual instructions carefully before operating. VEVOR reserves a clear interpretation of our user manual. The appearance of the product shall be subject to the product you received. Please forgive us that we won't inform you again if there are any technology or software updates on our product.

SAFETY INSTRUCTIONS

WARNING:

Read this material before using this product. Failure to do so can result in serious injury.

Assembly precautions

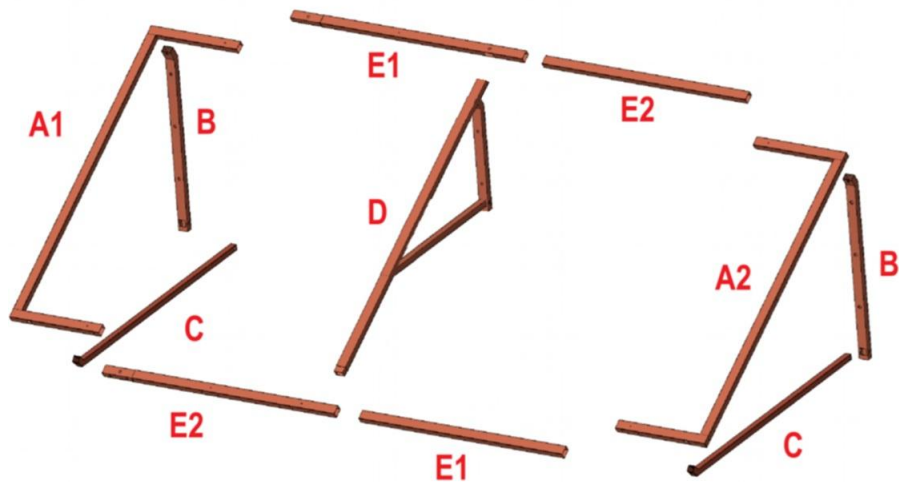
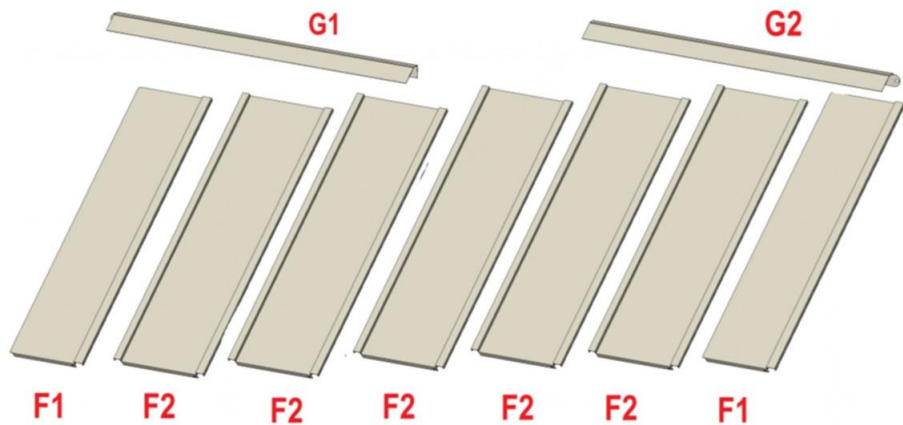
1. Assemble only according to these instructions. Improper assembly can create hazards.
2. Wear ANSI-approved safety goggles and heavy-duty work gloves during assembly.
3. Keep the assembly area clean and well-lit.
4. Keep bystanders out of the area during assembly.
5. Do not assemble if tired or when under the influence of alcohol, drugs or medication.
6. The product capabilities apply to properly and completely assembled products only.
7. Assemble on a flat, level, hard and smooth surface capable of safely supporting the Metal Door Awning.
8. For additional information regarding the parts listed in the following pages, please refer to the Assembly Diagram of this manual. Unwrap and separate all parts in a clean work area.

Use precautions

1. DO NOT SIT OR STAND ON THIS ITEM.
2. This product is not a toy. Do not allow children to play with or near this item.
3. Do not exceed specified weight capacities.
4. Use only on a flat, level, hard, and smooth surface that can safely support a fully loaded Metal Door Awning.
5. Use as intended only.
6. Inspect before every use; do not use if parts are loose or damaged.
7. Spare parts such as screws are available.

SAVE THIS MANUAL

PARTS LIST



H*10



I*10



















J*2



K*6



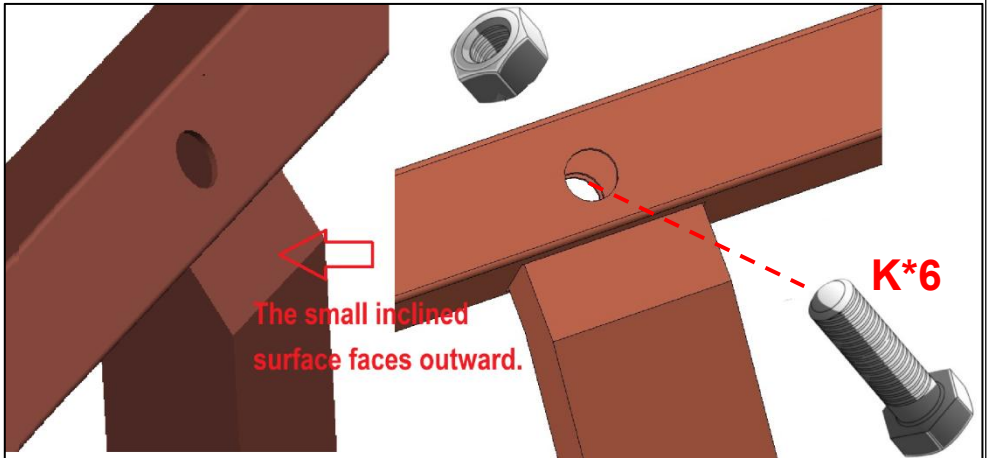
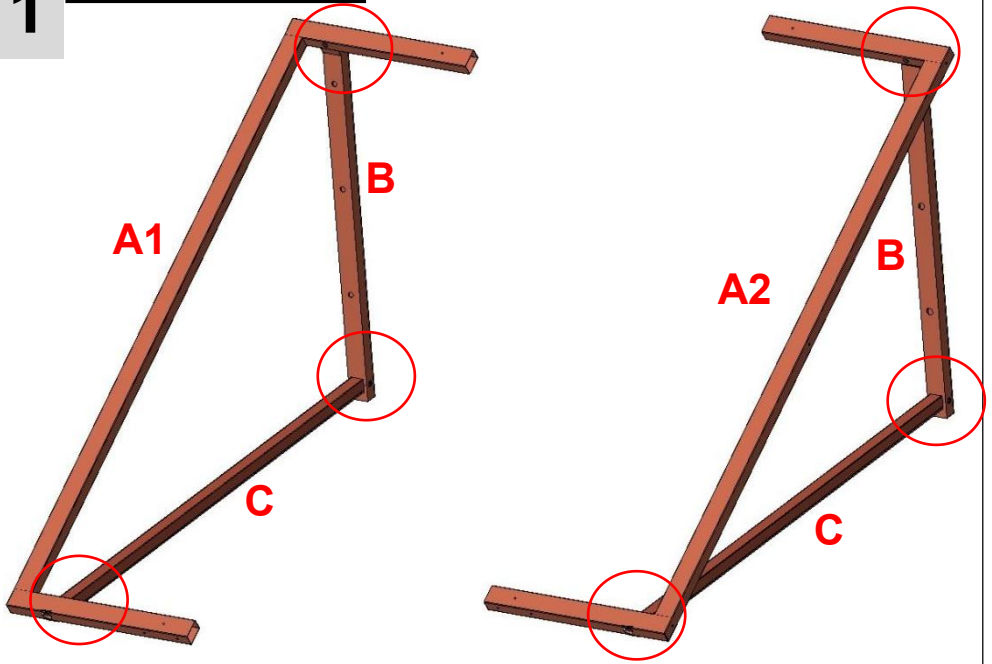
L*26

Serial number	Quantity	Part picture
A1	1	
A2	1	
B	2	
C	2	
D	1	
E1	2	
E2	2	
F1	2	
F2	5	
G1	1	
G2	1	
H	10	
I	10	
J	2	<div style="display: flex; align-items: center; justify-content: space-between;"> <div style="text-align: center;"></div> <div style="text-align: center;">Short screw</div> <div style="text-align: right;">M8*25mm</div> </div>
K	6	<div style="display: flex; align-items: center; justify-content: space-between;"> <div style="text-align: center;"></div> <div style="text-align: center;">Long screw</div> <div style="text-align: right;">M8*40mm</div> </div>
L	26	

ASSEMBLY STEP

1

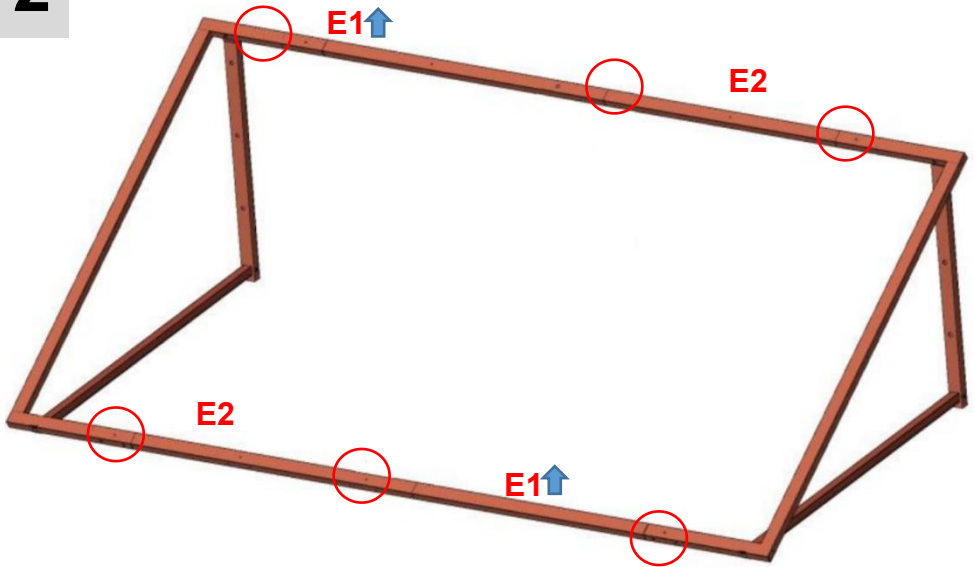
Assemble the frame.



Use screws(K*6) to assemble the support tripods on both sides.

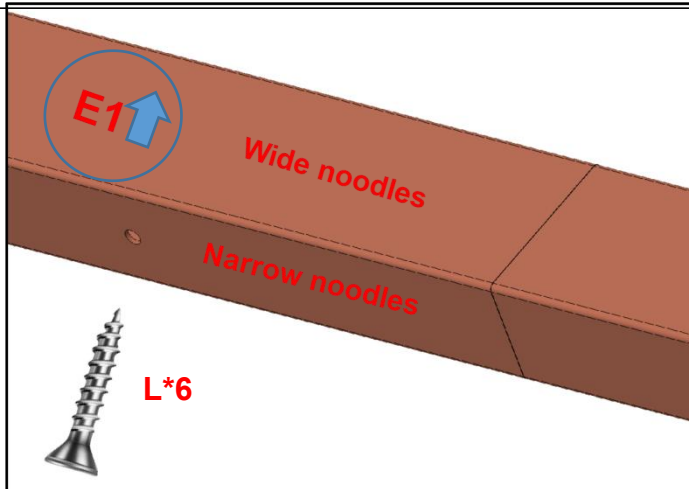
2

Assemble the frame.



Part E1 is labeled with an arrow mark.

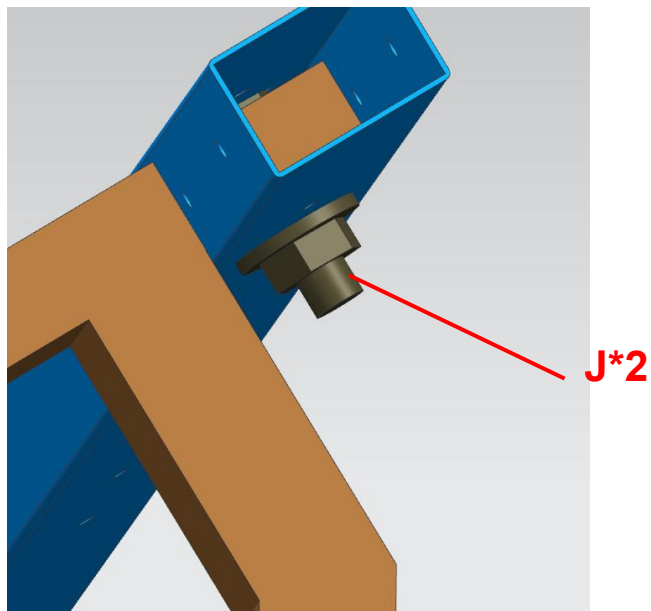
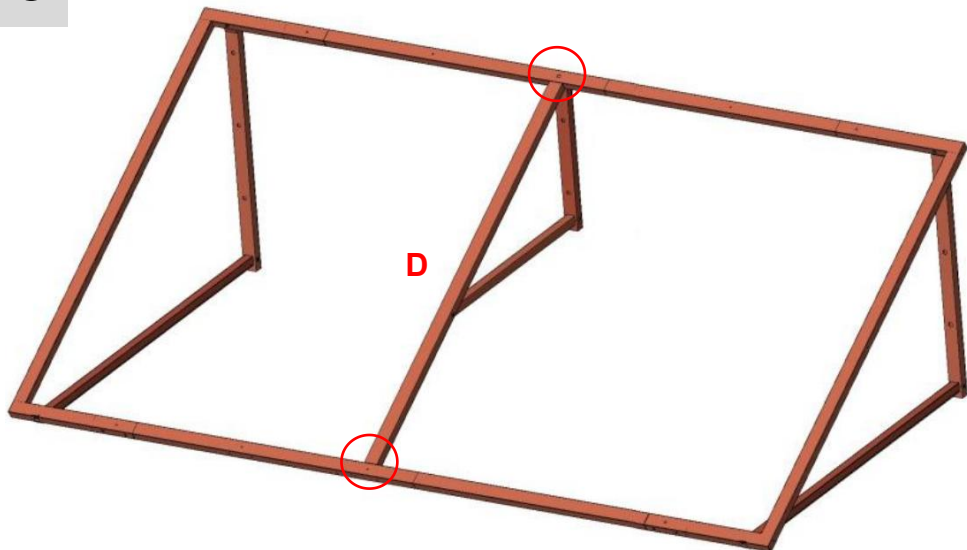
Please pay attention to distinguishing the upper and lower directions according to the arrow mark and install it as shown in the diagram.



Assemble the frame using screws(L*6).

3

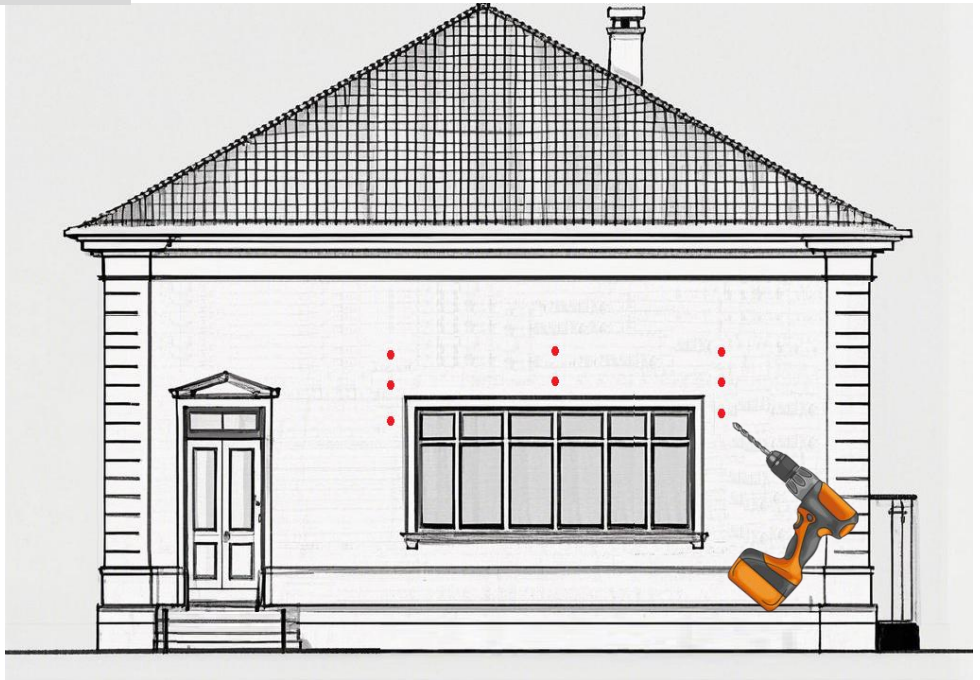
Assemble the frame.



Use screws(J*2) to assemble the middle support tripod.

4-1

Mount the frame on the wall.



Parts Required

Drill	Level	Measuring Tape	Chalk/Graphite	Step-Ladder
-------	-------	----------------	----------------	-------------

- 1.The installation drawings are on the next page.
- 2.Mark the location of the mounting holes measured onto your mounting surface using chalk/graphite. Use a level as needed.
- 3.Drill pilot holes onto the specific markers. Select the size of the drilled hole according to the following different types of walls.

Plan 1(Suitable for hard walls): Install with expansion screws(H*8), using a drill bit with a diameter of $\varnothing 12\text{mm}$.

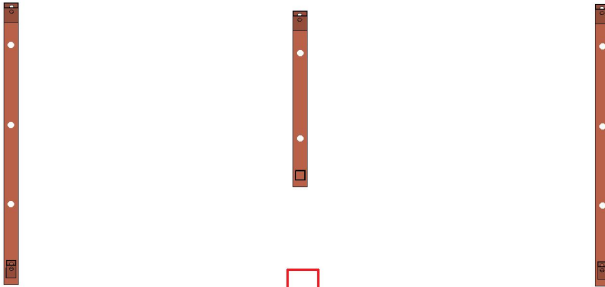
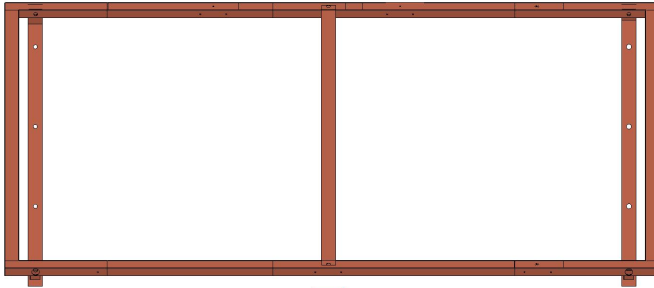
Plan 2(Suitable for wooden walls): Install with wall nails(l*8), using a drill bit with a diameter of $\varnothing 6\text{mm}$.

- 4.Fix the whole assembled frame to the wall.

Note: Check whether the frame is firmly installed on the wall to prevent it from falling off in the later stage.

4-2

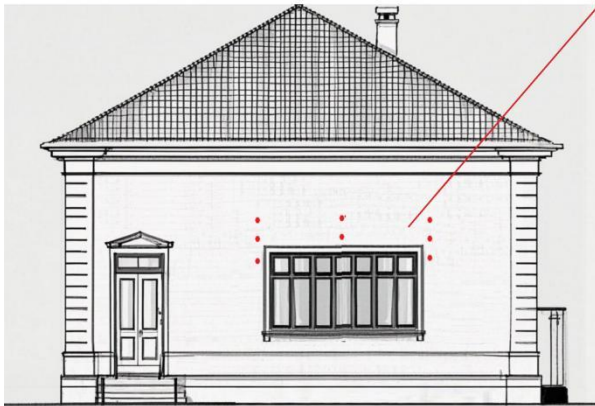
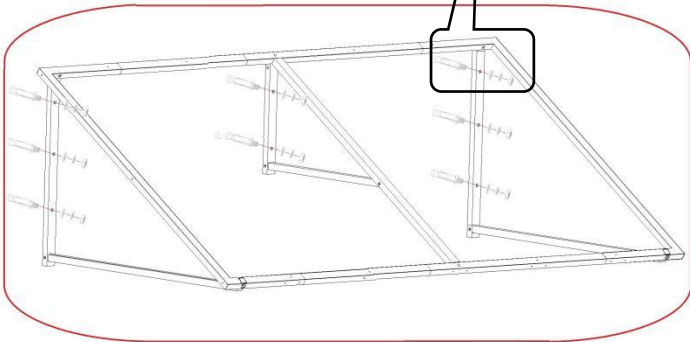
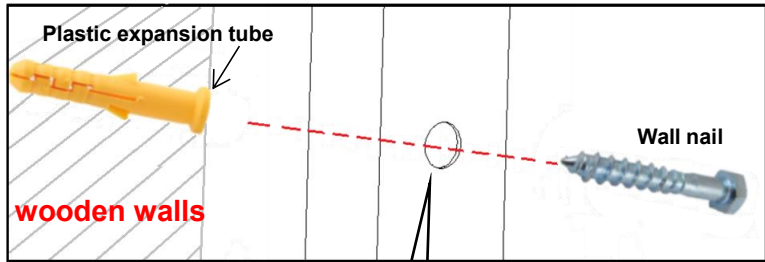
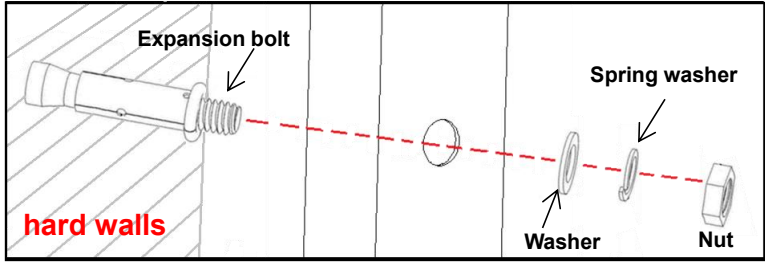
Installation drawings.



Mark 8 fixing hole positions on the wall according to the drawing, and then drill 8 holes.

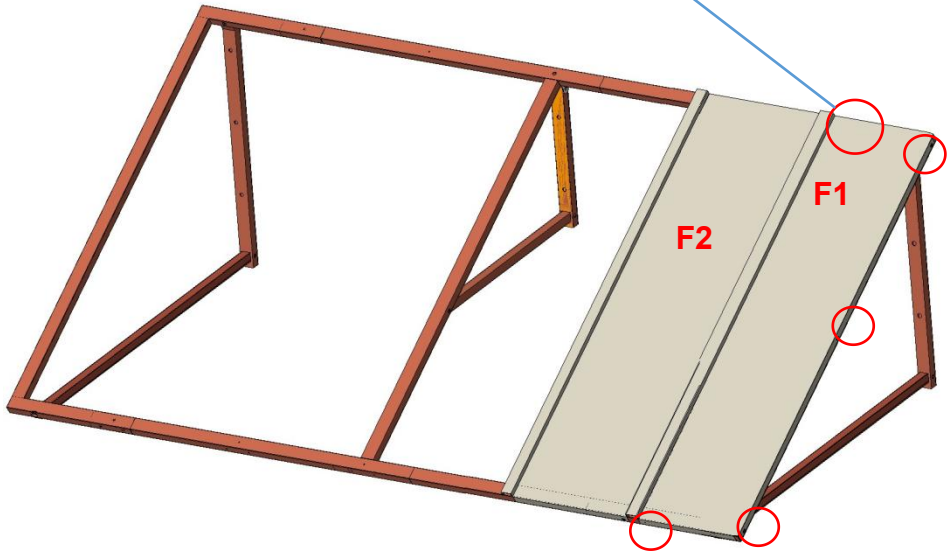
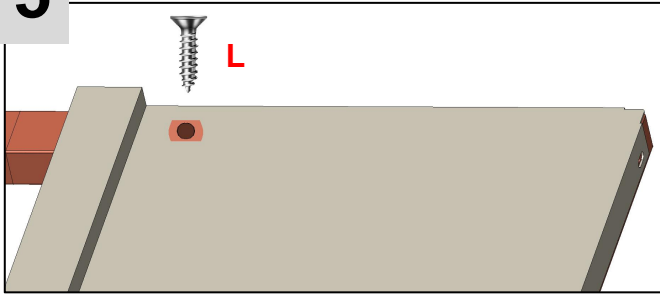
4-3

Installation drawings.

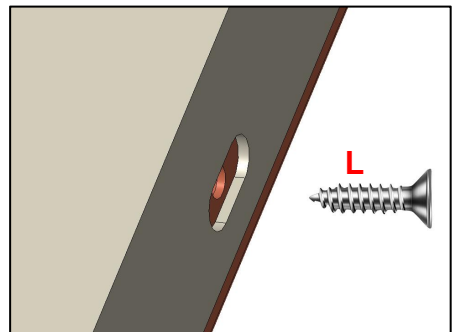


5

Installing the metal tiles.



NOTE: After the frame is installed on the wall, install the metal tiles one piece by one.

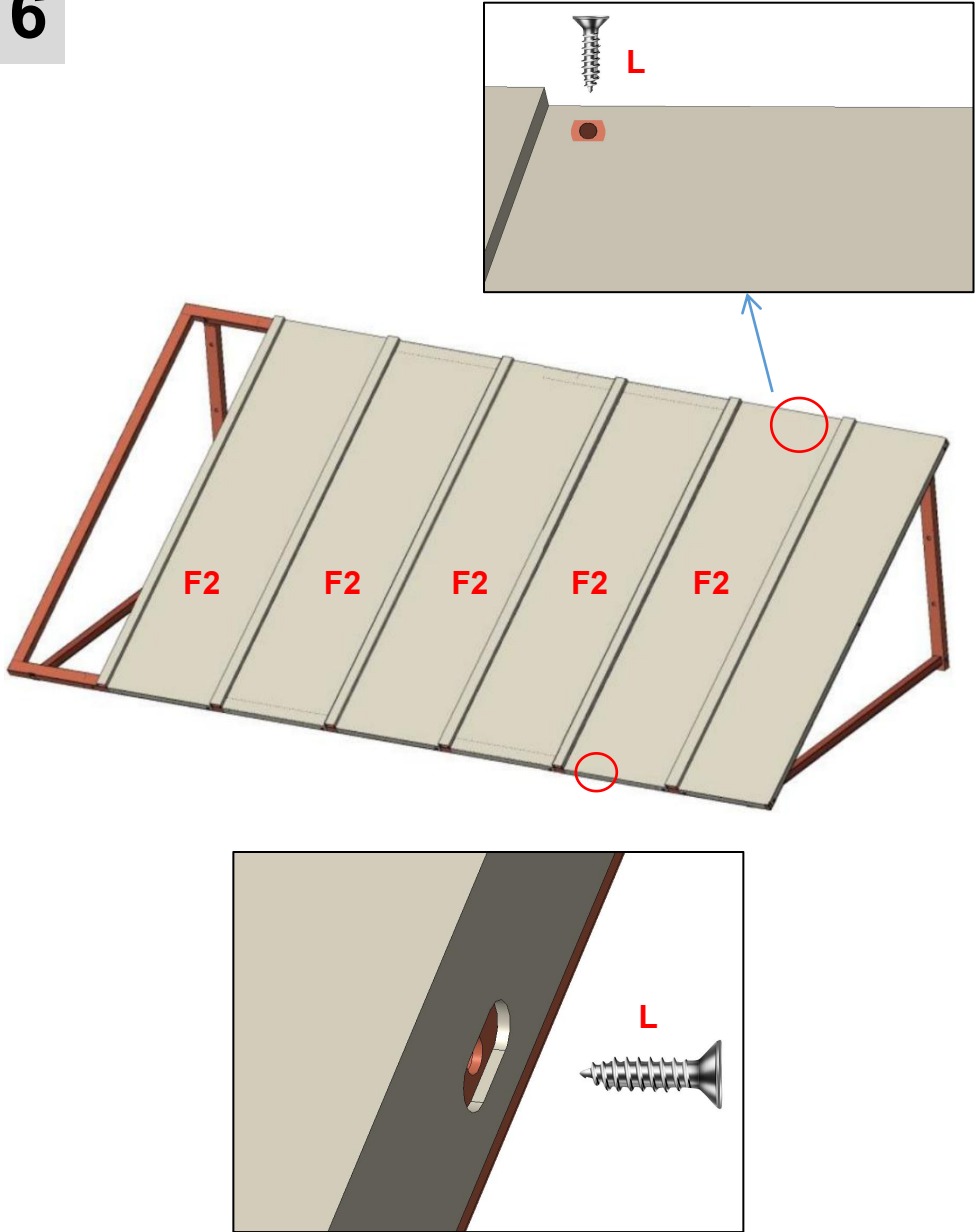


1. Fix the shelf to the wall.

2. Start installing the first metal tiles F1 and F2 from the right side of the product. Let F1 overlap F2, and then fix F1 with screws (L*5).

6

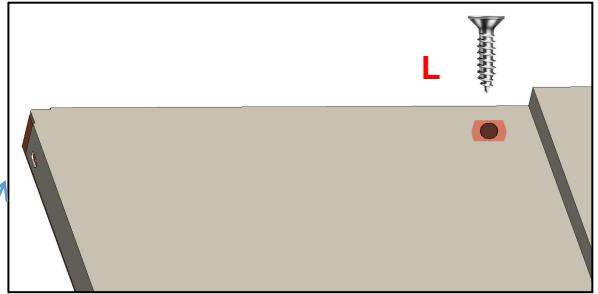
Installing the metal tiles.



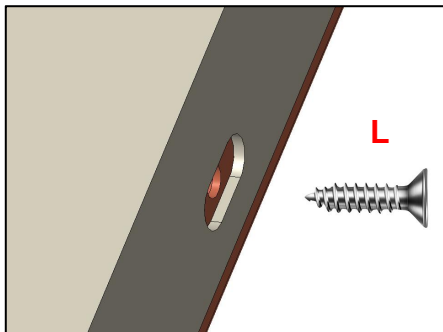
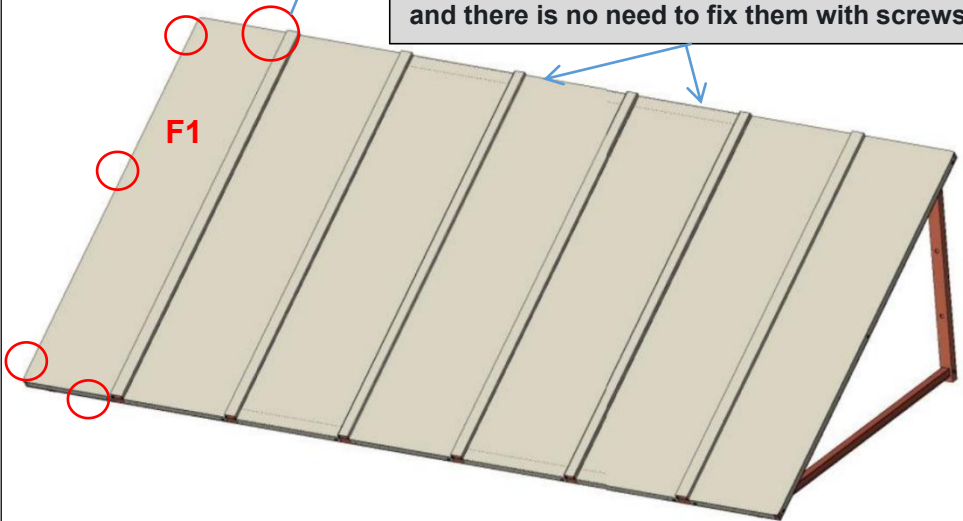
Install the metal tiles(F2) sequentially from the right side of the product and secure them with screws(L*10).

7

Installing the metal tiles.



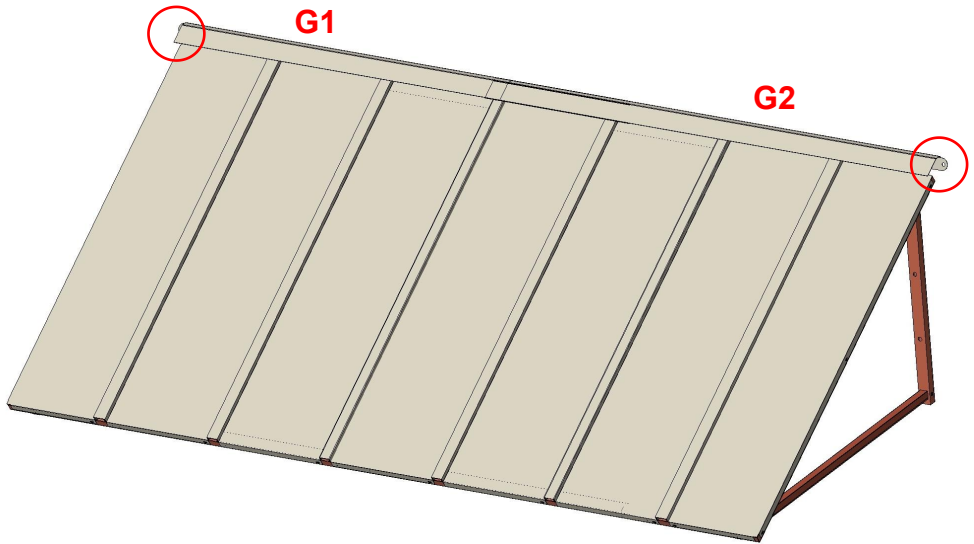
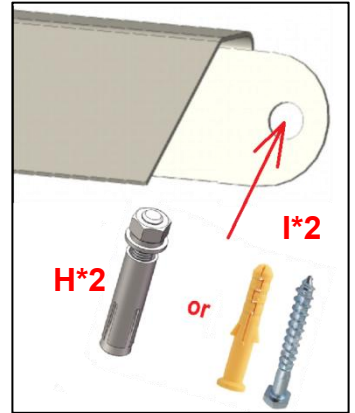
NOTE: There is a screw hole position on each metal tile at the top and on the side, and there is no need to fix them with screws.



Install the last tile F1 and fix it with screws(L*5).

8

Fix the metal plates.



Fix the metal plates G1 and G2 with screws(H or I).

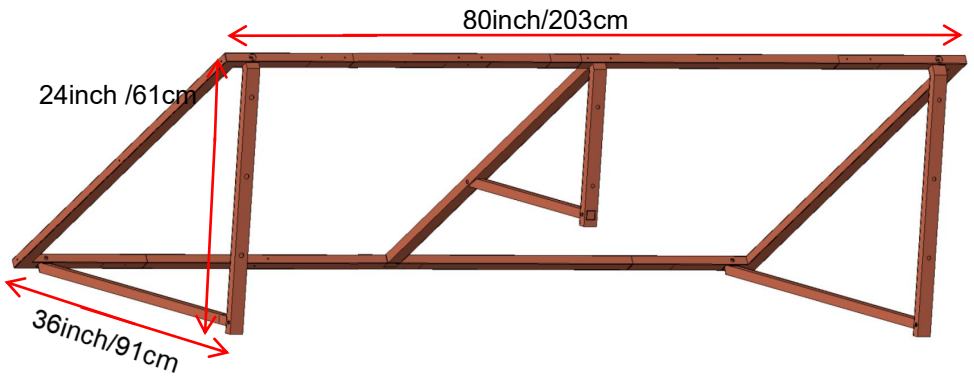
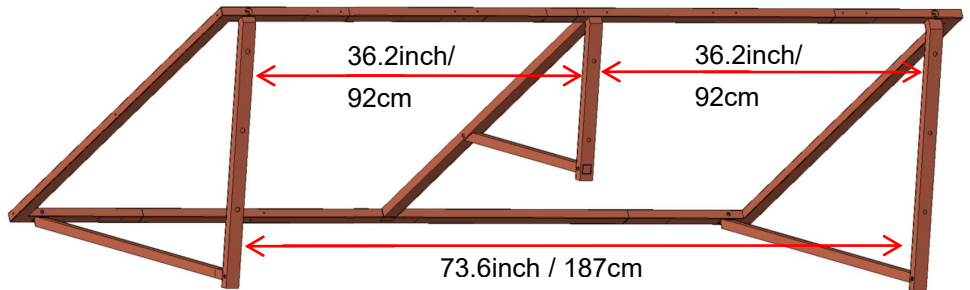
Plan 1(**Suitable for hard walls**): Install with expansion screws(H*2), using a drill bit with a diameter of $\varnothing 12\text{mm}$.

Plan 2(**Suitable for wooden walls**): Install with wall nails(I*2), using a drill bit with a diameter of $\varnothing 6\text{mm}$.

Metal plates (G1 G2): The height of the awning does not take the Metal plates into consideration. The metal plates can be mounted at any distance above the solid frame of the awning.

PRODUCT PARAMETER

Model	CGW-80INCH
Material	Iron
Colour	Black
Shading area	80*36inch(203*91cm)
Maximum suitable width for doors/windows	65.75inch/167cm



Snow Loads

The aluminum door canopies are manufactured from the highest - quality components available on the market today. They are designed to withstand normal weather conditions, including rain, sleet, snow, and wind. However, they are not designed to endure winds exceeding 30 miles per hour, snow loads of more than 12 inches of heavy, wet snow, or 24 inches of light snow. Additionally, they cannot withstand the impact force of snow and ice falling from an upper roof or piling up. This product will deliver excellent performance as long as it is installed correctly and used within its designed load - bearing limits.

Please remove snow promptly during use.

Manufacturer:Shanghaimuxinmuyeyouxiangongsi

Address:Shuangchenglu803nong11hao1602A-1609shi,baoshanqu,
shanghai200000CN.

ECREP:E-CrossStuGmbH.

MainzerLandstr.69,60329FrankfurtamMain.

UKREP:YHCONSULTINGLIMITED.

C/OYHConsultingLimitedOffice147,CenturionHouse,LondonRoad,
Staines-upon-Thames,Surrey,TW184AX

ImportedtoAUS:SIHAOPTYLTD.

1ROKEVASTREETEASTWOODNSW2122Australia

ImportedtoUSA:SanvenTechnologyLtd.

Suite250,9166AnaheimPlace,RanchoCucamonga,CA91730



Technical Support and E-Warranty Certificate
www.vevor.com/support

VEVOR

Affordable. Reliable. Home Improvement.

METAL DOOR AWNING

USER MANUAL

MODEL:CGW-80INCH

Technical Support and E-Warranty Certificate

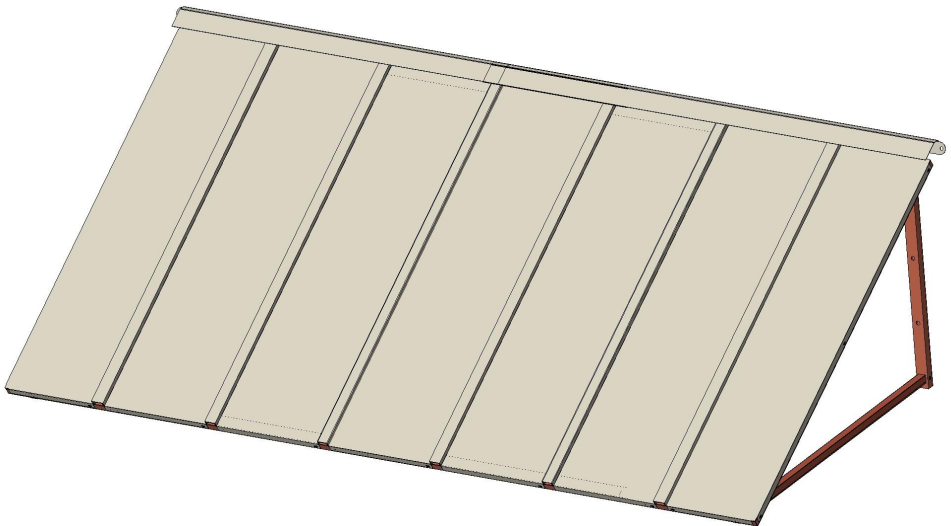
www.vevor.com/support

VEVOR

Affordable. Reliable. Home Improvement.

METAL DOOR AWNING

MODEL: CGW-80INCH



This is the original instruction, please read all manual instructions carefully before operating. VEVOR reserves a clear interpretation of our user manual. The appearance of the product shall be subject to the product you received. Please forgive us that we won't inform you again if there are any technology or software updates on our product.

SAFETY INSTRUCTIONS

WARNING:

Read this material before using this product. Failure to do so can result in serious injury.

Assembly precautions

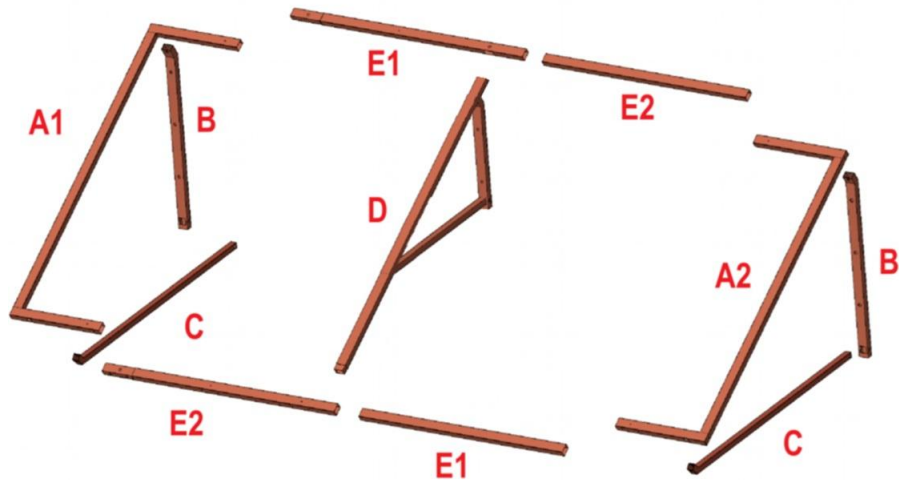
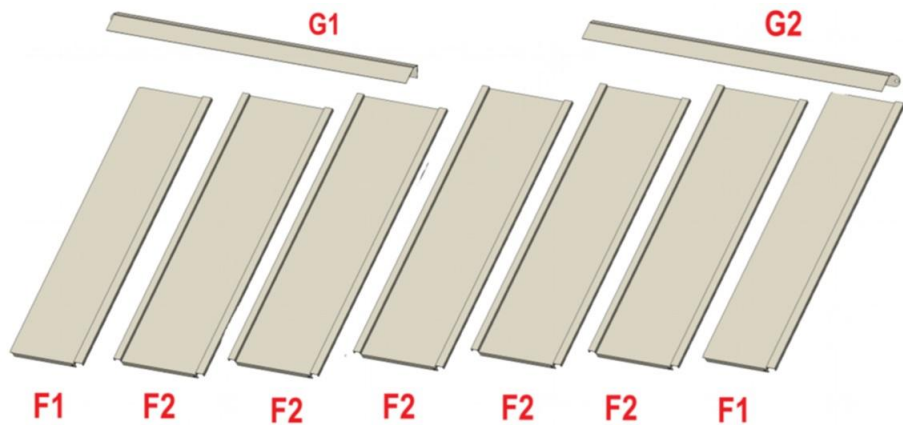
1. Assemble only according to these instructions. Improper assembly can create hazards.
2. Wear ANSI-approved safety goggles and heavy-duty work gloves during assembly.
3. Keep the assembly area clean and well-lit.
4. Keep bystanders out of the area during assembly.
5. Do not assemble if tired or when under the influence of alcohol, drugs or medication.
6. The product capabilities apply to properly and completely assembled products only.
7. Assemble on a flat, level, hard and smooth surface capable of safely supporting the Metal Door Awning.
8. For additional information regarding the parts listed in the following pages, please refer to the Assembly Diagram of this manual. Unwrap and separate all parts in a clean work area.

Use precautions

1. DO NOT SIT OR STAND ON THIS ITEM.
2. This product is not a toy. Do not allow children to play with or near this item.
3. Do not exceed specified weight capacities.
4. Use only on a flat, level, hard, and smooth surface that can safely support a fully loaded Metal Door Awning.
5. Use as intended only.
6. Inspect before every use; do not use if parts are loose or damaged.
7. Spare parts such as screws are available.

SAVE THIS MANUAL

PARTS LIST



H*10



I*10


















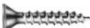
J*2



K*6



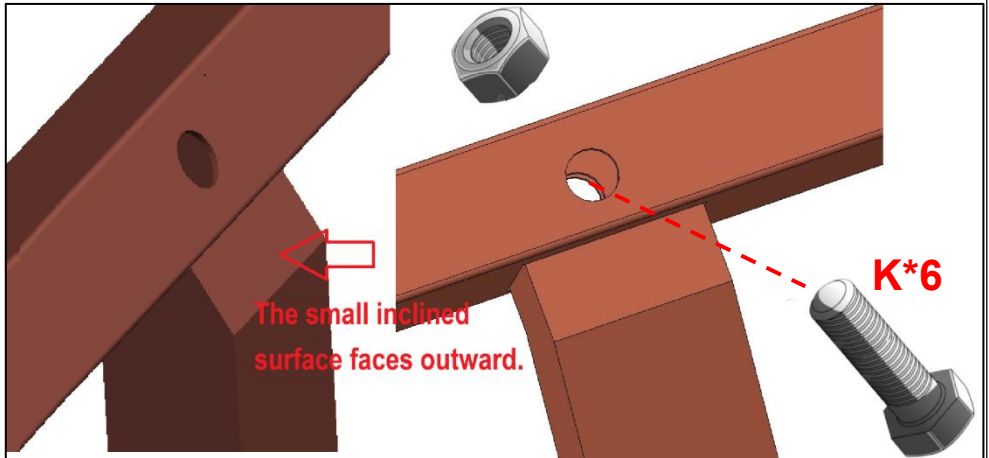
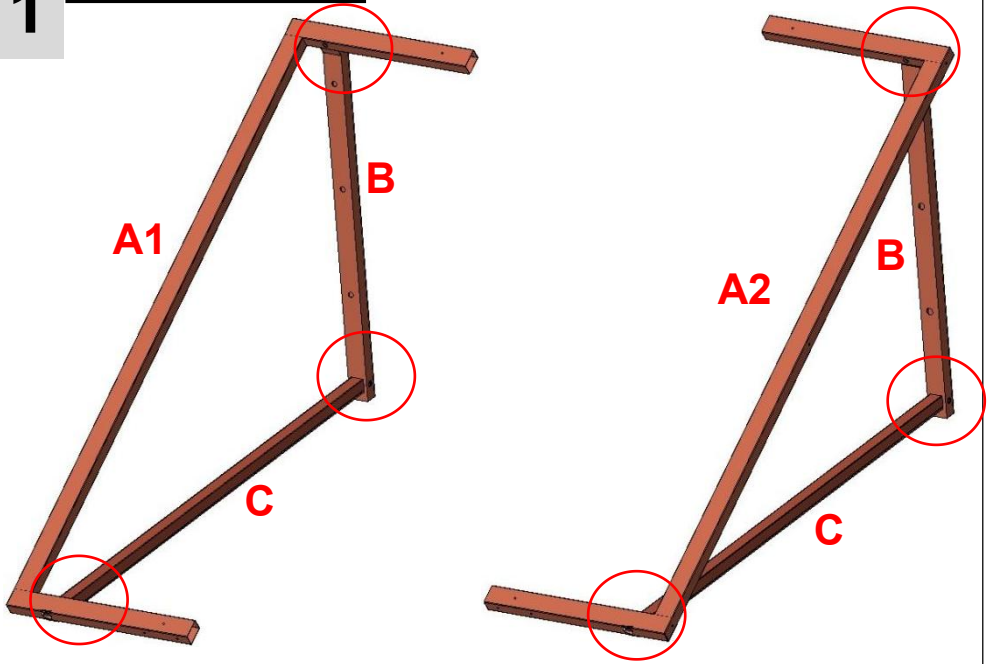
L*26

Serial number	Quantity	Part picture
A1	1	
A2	1	
B	2	
C	2	
D	1	
E1	2	
E2	2	
F1	2	
F2	5	
G1	1	
G2	1	
H	10	
I	10	
J	2	<div style="display: flex; align-items: center; justify-content: space-between;"> <div style="text-align: center;"></div> <div style="text-align: right;">Short screw M8*25mm</div> </div>
K	6	<div style="display: flex; align-items: center; justify-content: space-between;"> <div style="text-align: center;"></div> <div style="text-align: right;">Long screw M8*40mm</div> </div>
L	26	

ASSEMBLY STEP

1

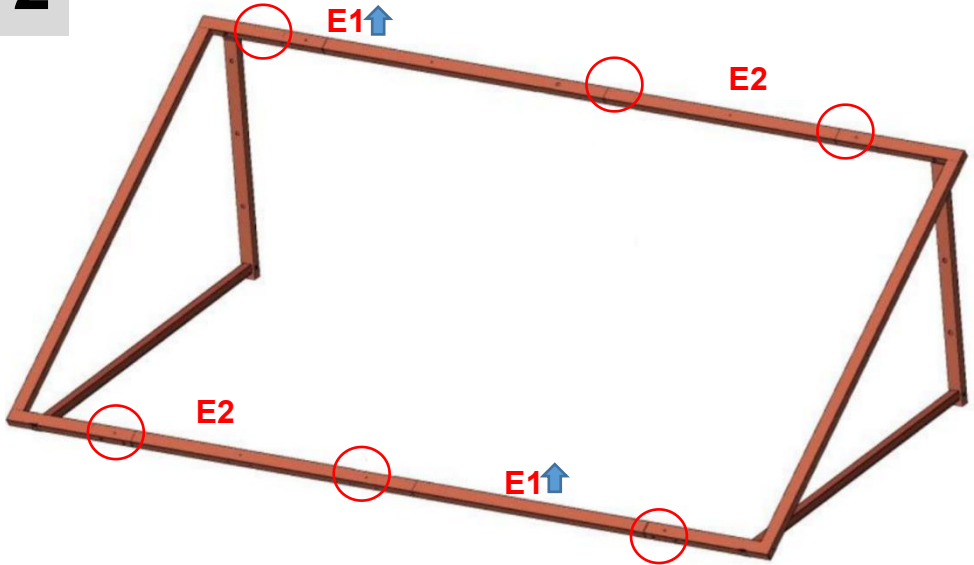
Assemble the frame.



Use screws(K*6) to assemble the support tripods on both sides.

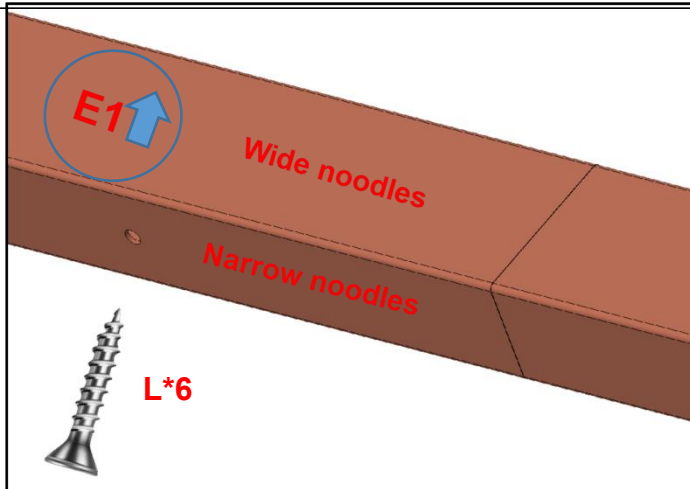
2

Assemble the frame.



Part E1 is labeled with an arrow mark.

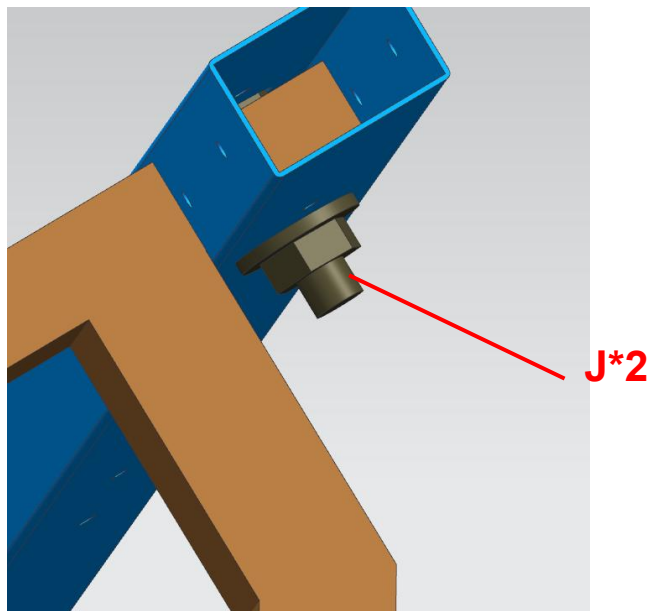
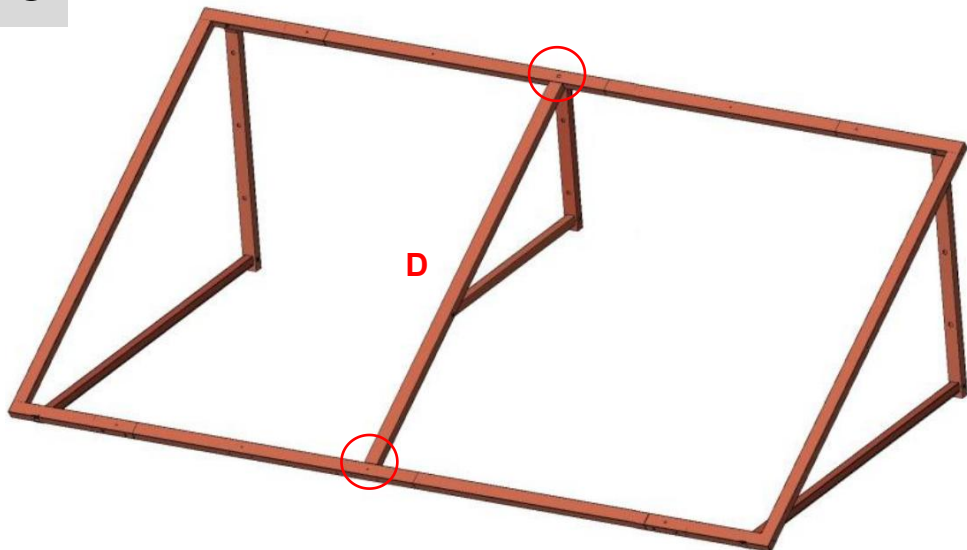
Please pay attention to distinguishing the upper and lower directions according to the arrow mark and install it as shown in the diagram.



Assemble the frame using screws(L*6).

3

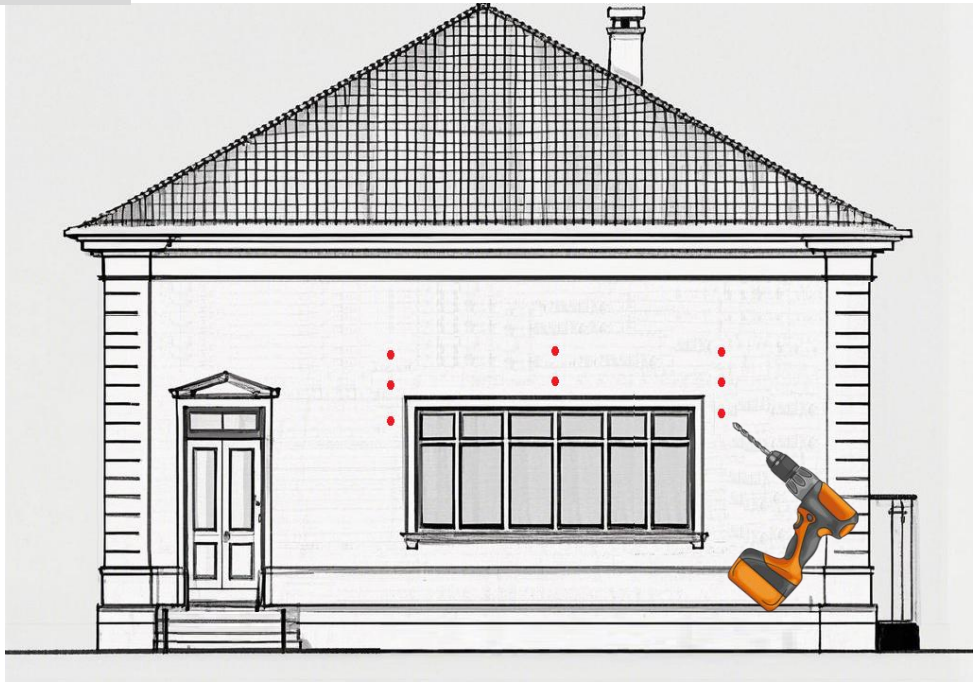
Assemble the frame.



Use screws(J*2) to assemble the middle support tripod.

4-1

Mount the frame on the wall.



Parts Required

Drill	Level	Measuring Tape	Chalk/Graphite	Step-Ladder
-------	-------	----------------	----------------	-------------

- 1.The installation drawings are on the next page.
- 2.Mark the location of the mounting holes measured onto your mounting surface using chalk/graphite. Use a level as needed.
- 3.Drill pilot holes onto the specific markers. Select the size of the drilled hole according to the following different types of walls.

Plan 1(**Suitable for hard walls**): Install with expansion screws(H*8), using a drill bit with a diameter of $\varnothing 12\text{mm}$.

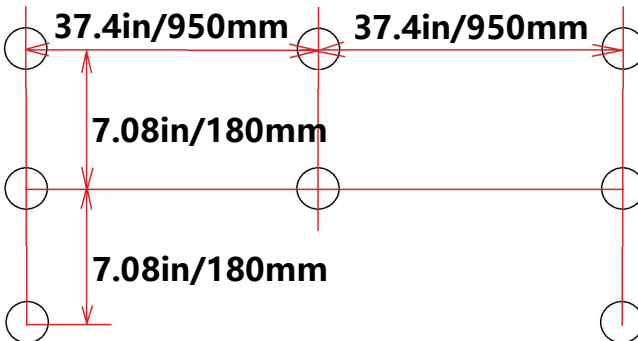
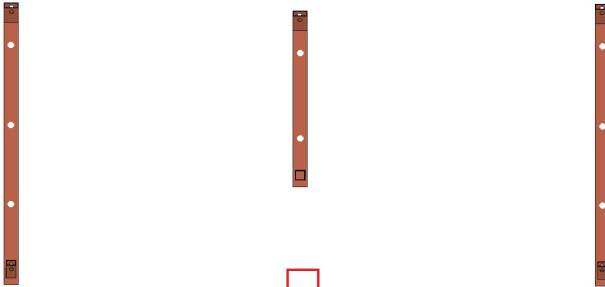
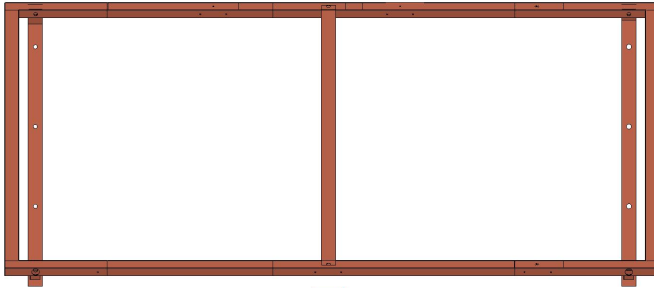
Plan 2(**Suitable for wooden walls**): Install with wall nails(l*8), using a drill bit with a diameter of $\varnothing 6\text{mm}$.

- 4.Fix the whole assembled frame to the wall.

Note: Check whether the frame is firmly installed on the wall to prevent it from falling off in the later stage.

4-2

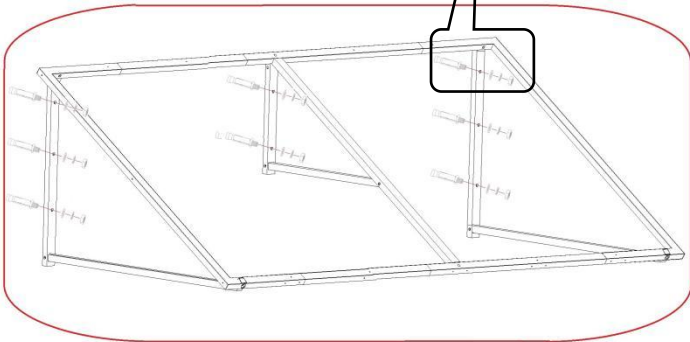
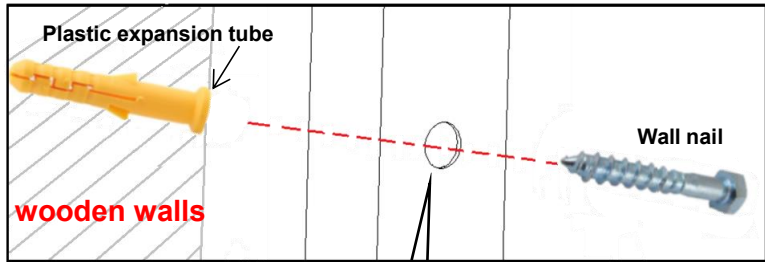
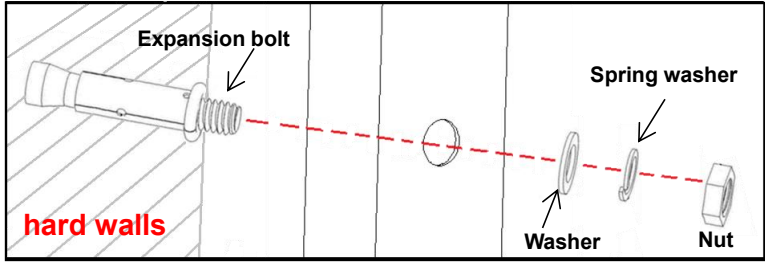
Installation drawings.



Mark 8 fixing hole positions on the wall according to the drawing, and then drill 8 holes.

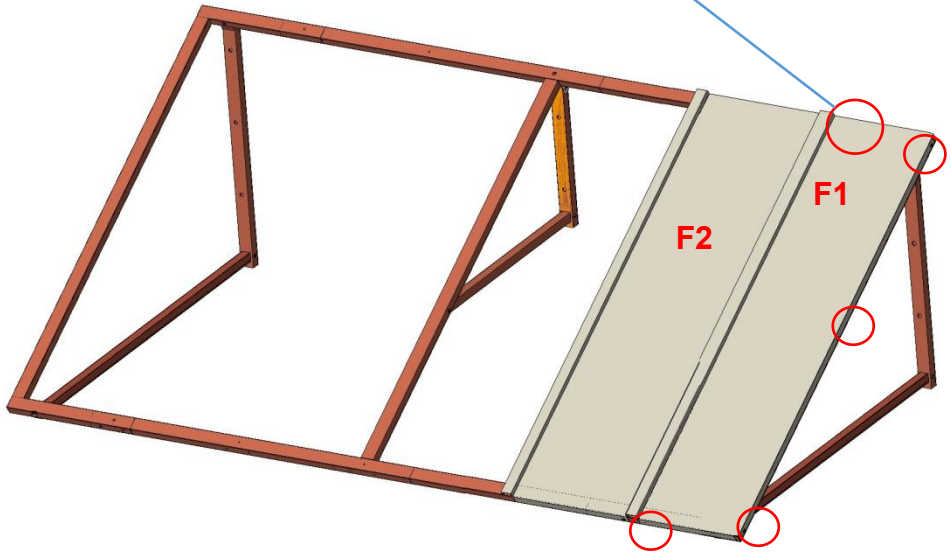
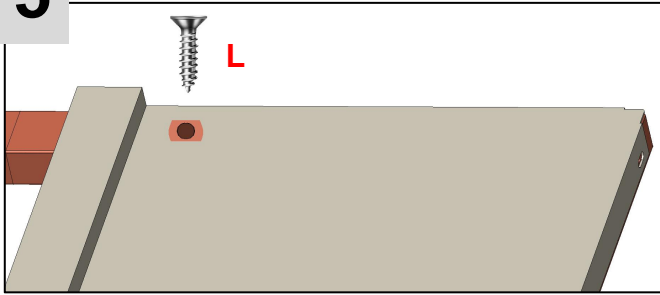
4-3

Installation drawings.

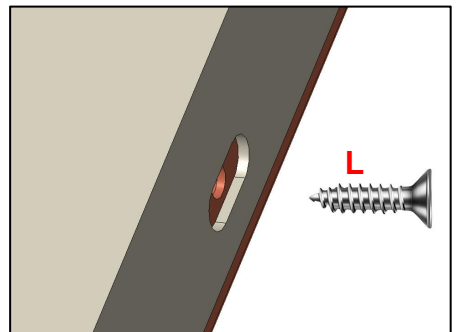


5

Installing the metal tiles.



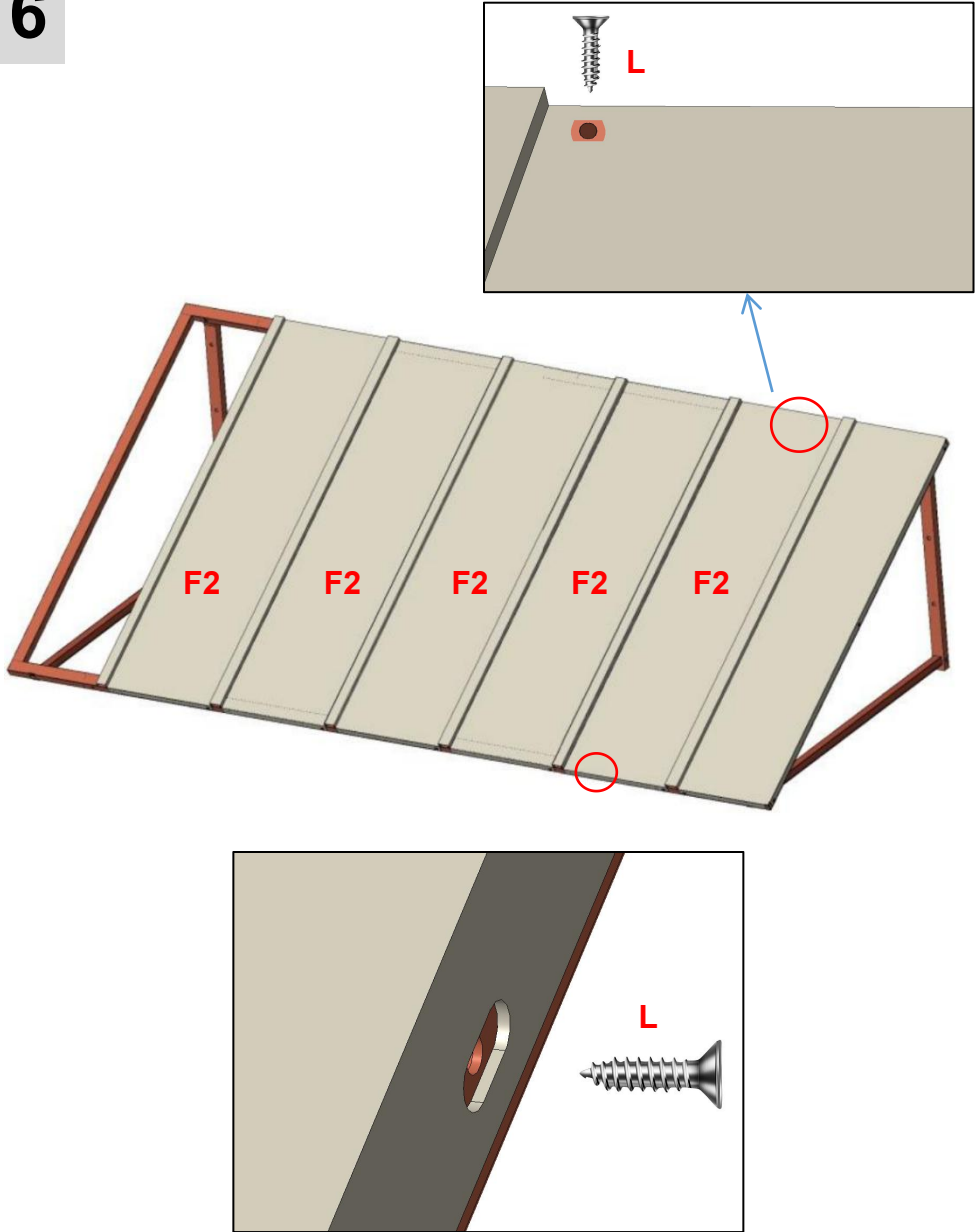
NOTE: After the frame is installed on the wall, install the metal tiles one piece by one.



- 1. Fix the shelf to the wall.**
- 2. Start installing the first metal tiles F1 and F2 from the right side of the product. Let F1 overlap F2, and then fix F1 with screws (L*5).**

6

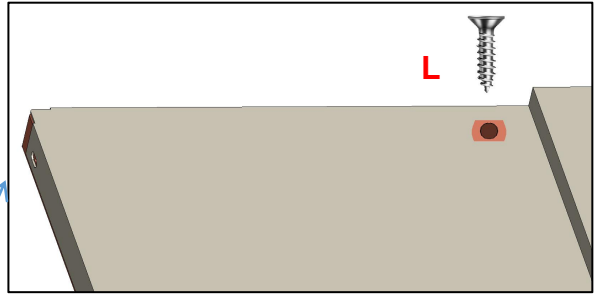
Installing the metal tiles.



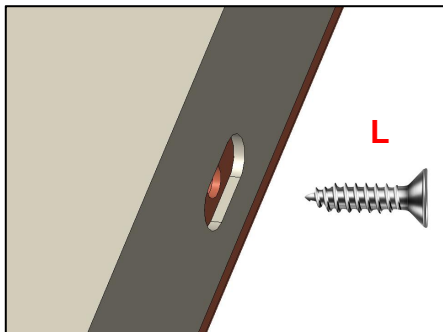
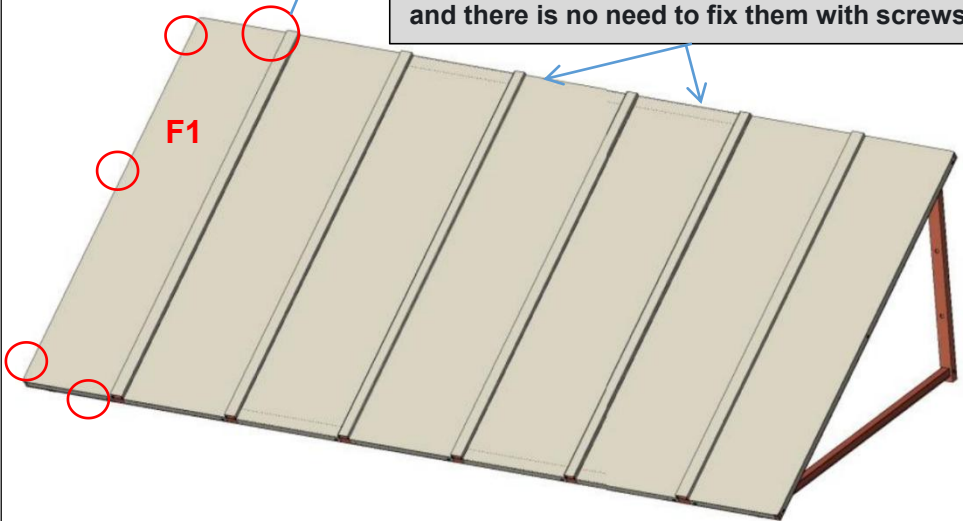
Install the metal tiles(F2) sequentially from the right side of the product and secure them with screws(L*10).

7

Installing the metal tiles.



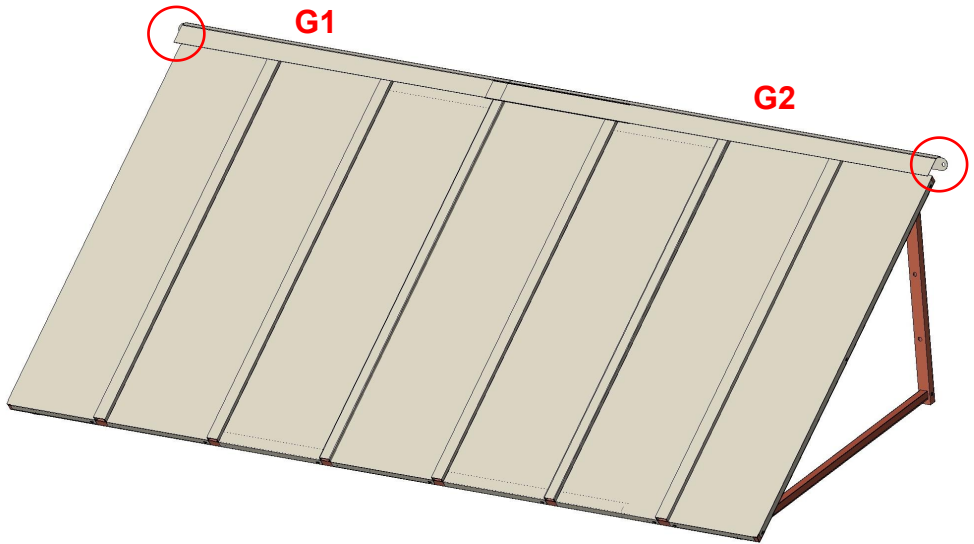
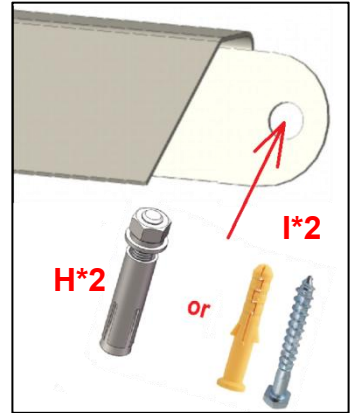
NOTE: There is a screw hole position on each metal tile at the top and on the side, and there is no need to fix them with screws.



Install the last tile F1 and fix it with screws(L*5).

8

Fix the metal plates.



Fix the metal plates G1 and G2 with screws(H or I).

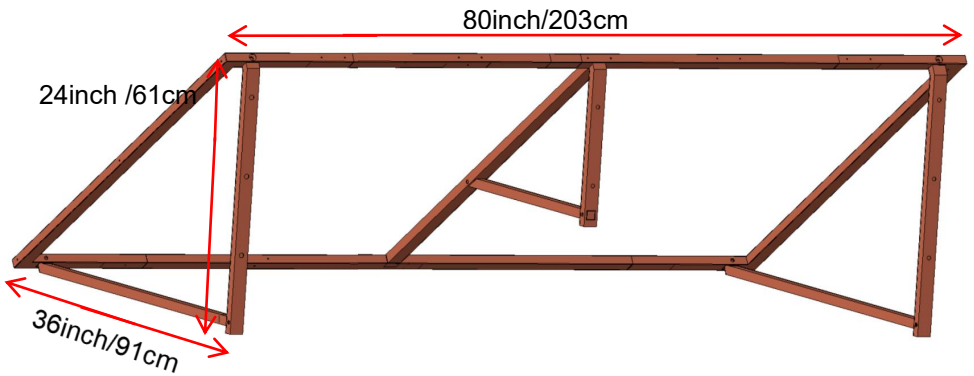
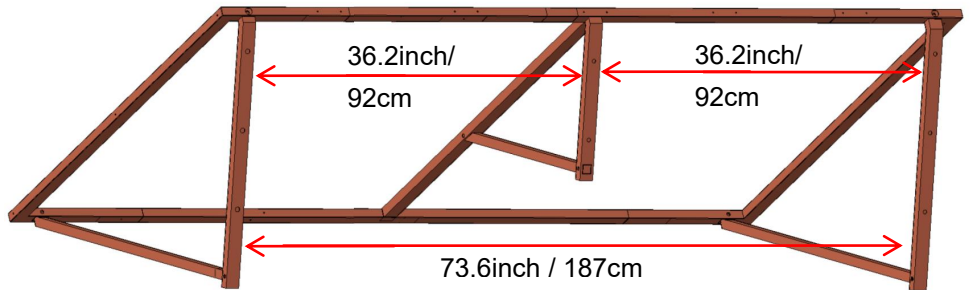
Plan 1(**Suitable for hard walls**): Install with expansion screws(H*2), using a drill bit with a diameter of $\varnothing 12\text{mm}$.

Plan 2(**Suitable for wooden walls**): Install with wall nails(I*2), using a drill bit with a diameter of $\varnothing 6\text{mm}$.

Metal plates (G1 G2): The height of the awning does not take the Metal plates into consideration. The metal plates can be mounted at any distance above the solid frame of the awning.

PRODUCT PARAMETER

Model	CGW-80INCH
Material	Iron
Colour	Black
Shading area	80*36inch(203*91cm)
Maximum suitable width for doors/windows	65.75inch/167cm



Snow Loads

The aluminum door canopies are manufactured from the highest - quality components available on the market today. They are designed to withstand normal weather conditions, including rain, sleet, snow, and wind. However, they are not designed to endure winds exceeding 30 miles per hour, snow loads of more than 12 inches of heavy, wet snow, or 24 inches of light snow. Additionally, they cannot withstand the impact force of snow and ice falling from an upper roof or piling up. This product will deliver excellent performance as long as it is installed correctly and used within its designed load - bearing limits.

Please remove snow promptly during use.

Manufacturer:Shanghaimuxinmuyeyouxiangongsi

Address:Shuangchenglu803nong11hao1602A-1609shi,baoshanqu,
shanghai200000CN.

ECREP:E-CrossStuGmbH.

MainzerLandstr.69,60329FrankfurtamMain.

UKREP:YHCONSULTINGLIMITED.

C/OYHConsultingLimitedOffice147,CenturionHouse,LondonRoad,
Staines-upon-Thames,Surrey,TW184AX

ImportedtoAUS:SIHAOPTYLTD.

1ROKEVASTREETEASTWOODNSW2122Australia

ImportedtoUSA:SanvenTechnologyLtd.

Suite250,9166AnaheimPlace,RanchoCucamonga,CA91730



Technical Support and E-Warranty Certificate
www.vevor.com/support



Affordable. Reliable. Home Improvement.

METAL DOOR AWNING

USER MANUAL

MODEL:CGW-80INCH

Technical Support and E-Warranty Certificate

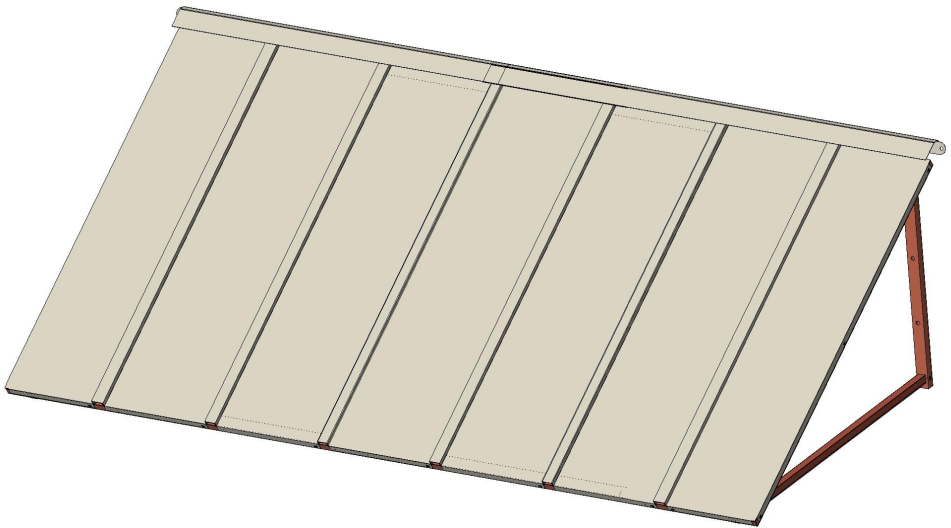
www.vevor.com/support

VEVOR

Affordable. Reliable. Home Improvement.

METAL DOOR AWNING

MODEL: CGW-80INCH



This is the original instruction, please read all manual instructions carefully before operating. VEVOR reserves a clear interpretation of our user manual. The appearance of the product shall be subject to the product you received. Please forgive us that we won't inform you again if there are any technology or software updates on our product.

SAFETY INSTRUCTIONS

WARNING:

Read this material before using this product. Failure to do so can result in serious injury.

Assembly precautions

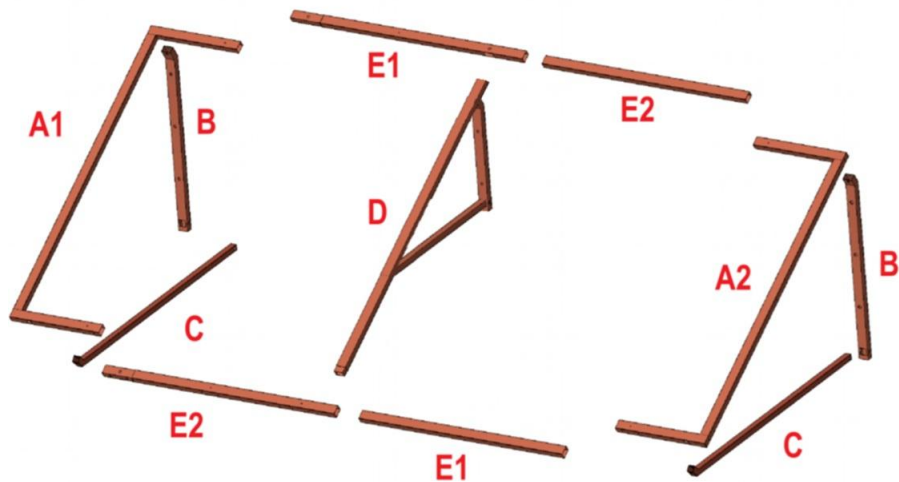
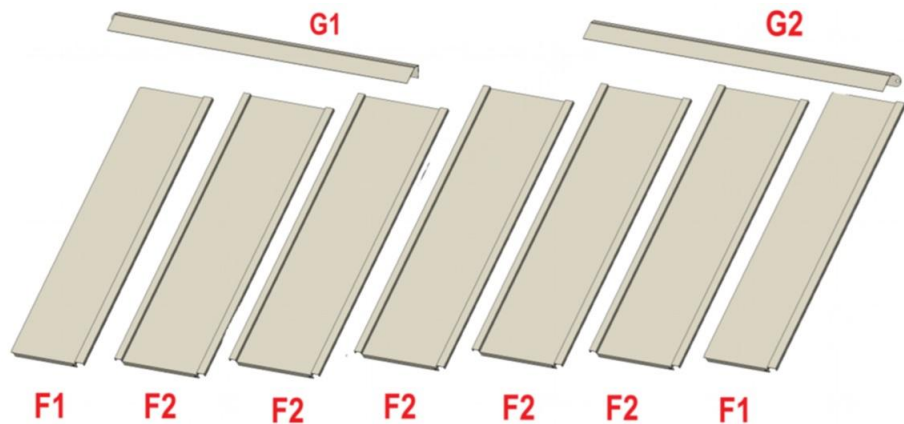
1. Assemble only according to these instructions. Improper assembly can create hazards.
2. Wear ANSI-approved safety goggles and heavy-duty work gloves during assembly.
3. Keep the assembly area clean and well-lit.
4. Keep bystanders out of the area during assembly.
5. Do not assemble if tired or when under the influence of alcohol, drugs or medication.
6. The product capabilities apply to properly and completely assembled products only.
7. Assemble on a flat, level, hard and smooth surface capable of safely supporting the Metal Door Awning.
8. For additional information regarding the parts listed in the following pages, please refer to the Assembly Diagram of this manual. Unwrap and separate all parts in a clean work area.

Use precautions

1. DO NOT SIT OR STAND ON THIS ITEM.
2. This product is not a toy. Do not allow children to play with or near this item.
3. Do not exceed specified weight capacities.
4. Use only on a flat, level, hard, and smooth surface that can safely support a fully loaded Metal Door Awning.
5. Use as intended only.
6. Inspect before every use; do not use if parts are loose or damaged.
7. Spare parts such as screws are available.

SAVE THIS MANUAL

PARTS LIST



H*10



I*10



















J*2



K*6



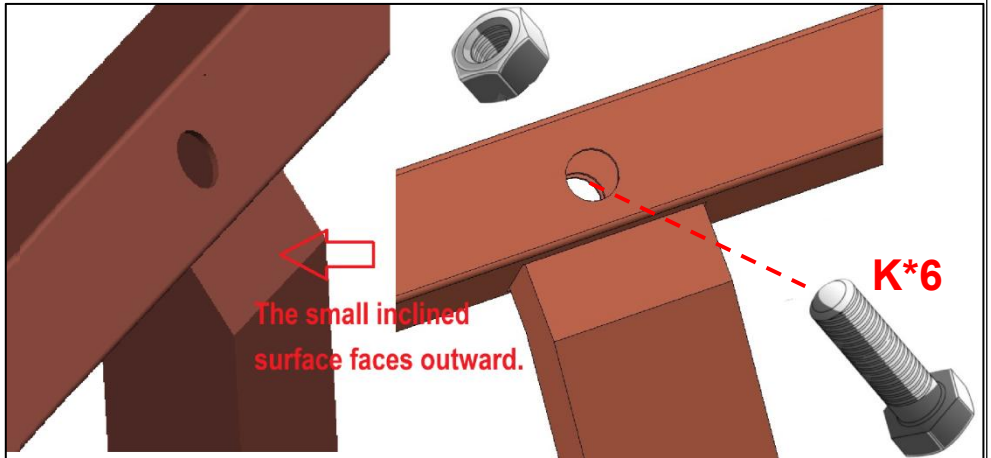
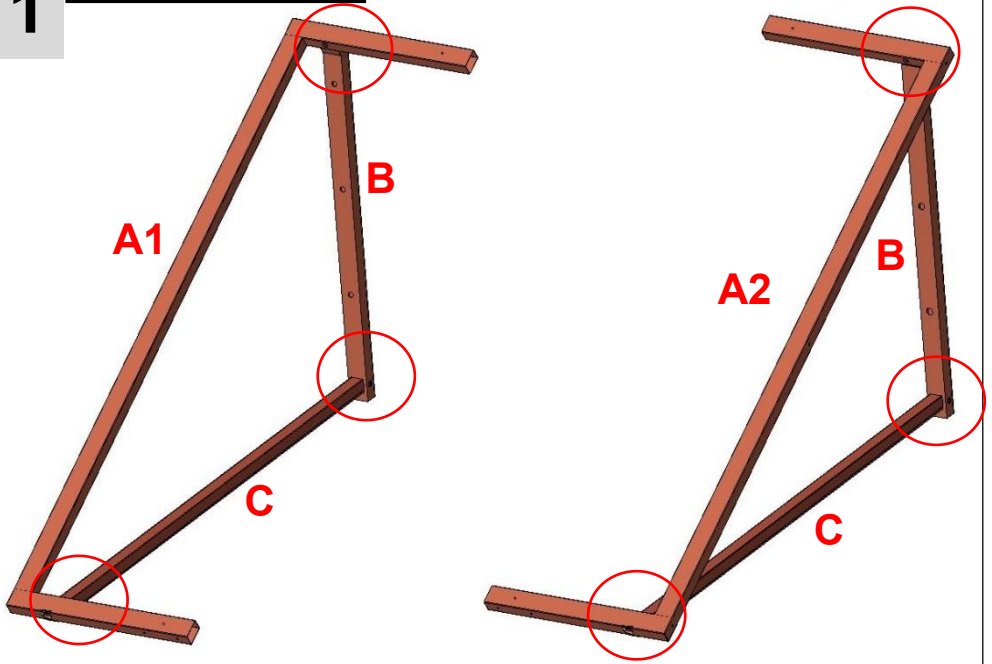
L*26

Serial number	Quantity	Part picture
A1	1	
A2	1	
B	2	
C	2	
D	1	
E1	2	
E2	2	
F1	2	
F2	5	
G1	1	
G2	1	
H	10	
I	10	
J	2	 <p>Short screw M8*25mm</p>
K	6	 <p>Long screw M8*40mm</p>
L	26	

ASSEMBLY STEP

1

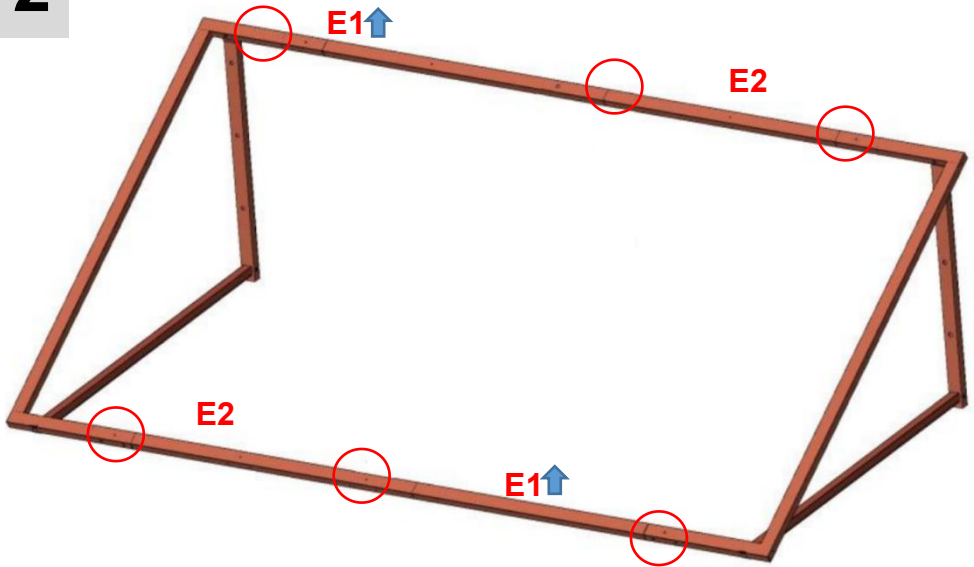
Assemble the frame.



Use screws(K*6) to assemble the support tripods on both sides.

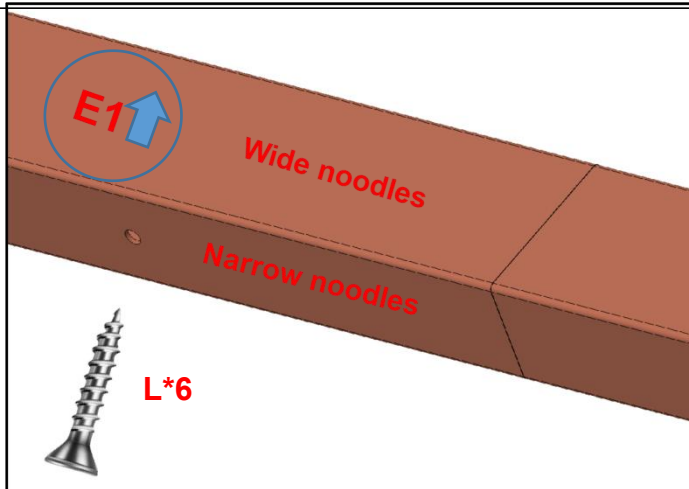
2

Assemble the frame.



Part E1 is labeled with an arrow mark.

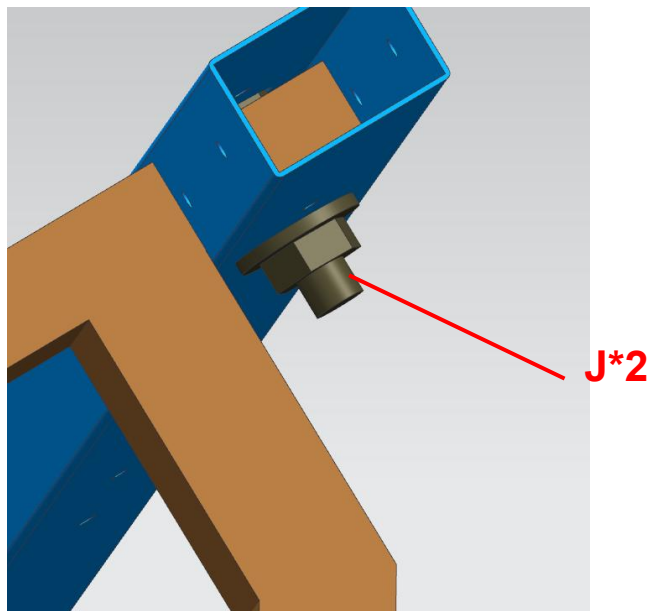
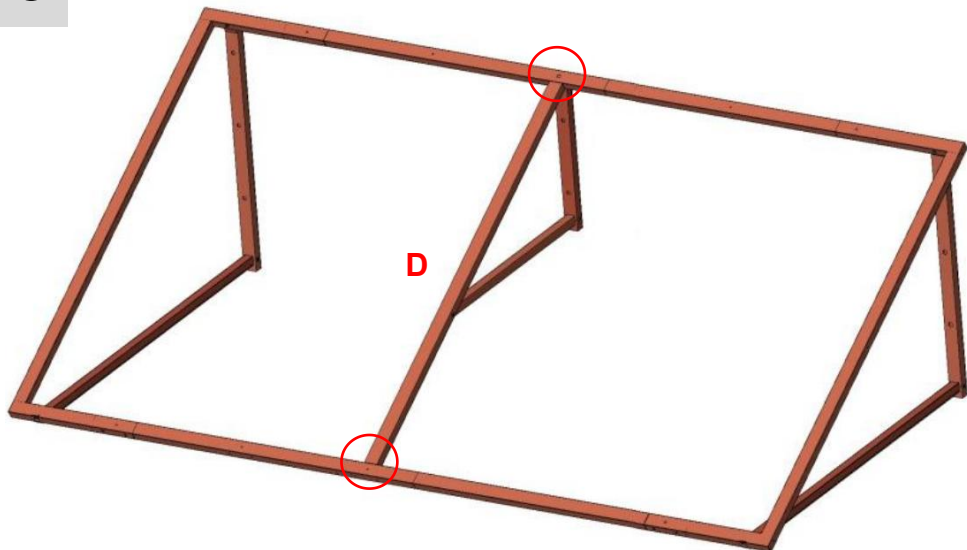
Please pay attention to distinguishing the upper and lower directions according to the arrow mark and install it as shown in the diagram.



Assemble the frame using screws(L*6).

3

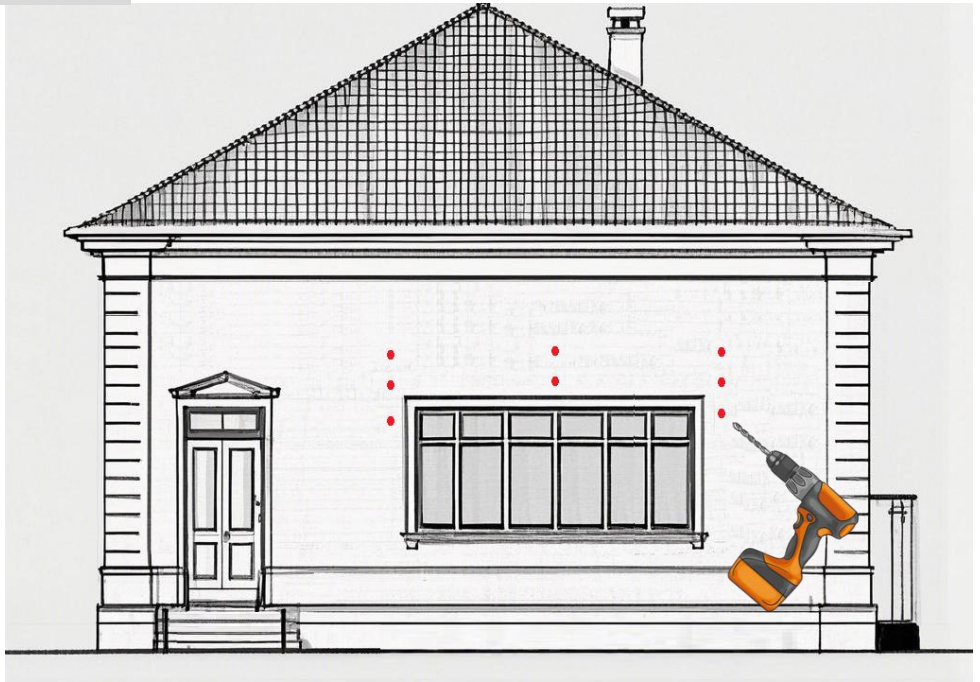
Assemble the frame.



Use screws(J*2) to assemble the middle support tripod.

4-1

Mount the frame on the wall.



Parts Required

Drill	Level	Measuring Tape	Chalk/Graphite	Step-Ladder
-------	-------	----------------	----------------	-------------

- 1.The installation drawings are on the next page.
- 2.Mark the location of the mounting holes measured onto your mounting surface using chalk/graphite. Use a level as needed.
- 3.Drill pilot holes onto the specific markers. Select the size of the drilled hole according to the following different types of walls.

Plan 1(Suitable for hard walls): Install with expansion screws(H*8), using a drill bit with a diameter of $\varnothing 12\text{mm}$.

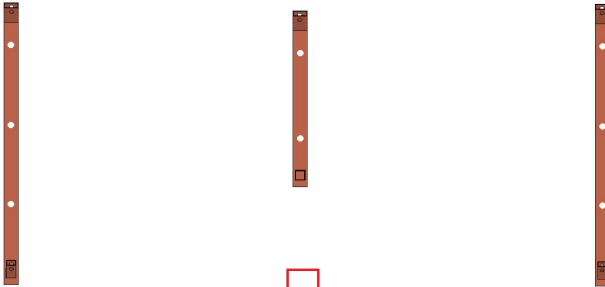
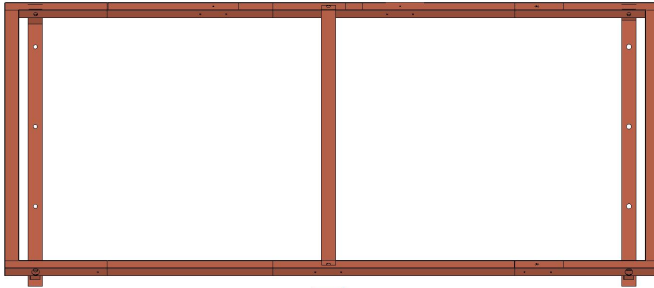
Plan 2(Suitable for wooden walls): Install with wall nails(l*8), using a drill bit with a diameter of $\varnothing 6\text{mm}$.

- 4.Fix the whole assembled frame to the wall.

Note: Check whether the frame is firmly installed on the wall to prevent it from falling off in the later stage.

4-2

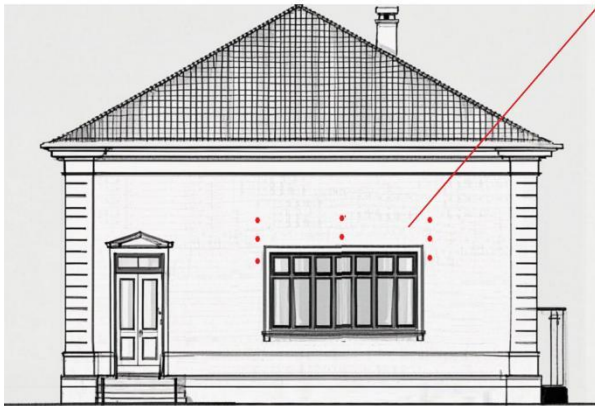
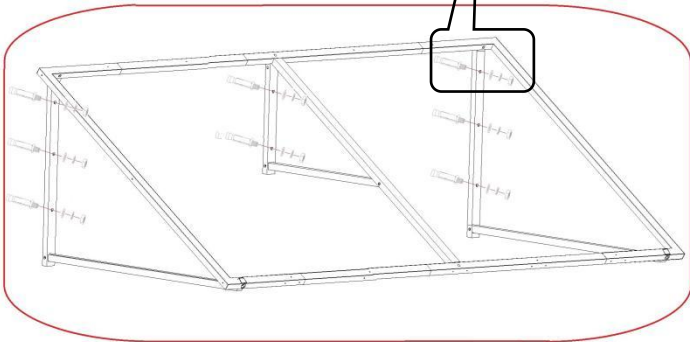
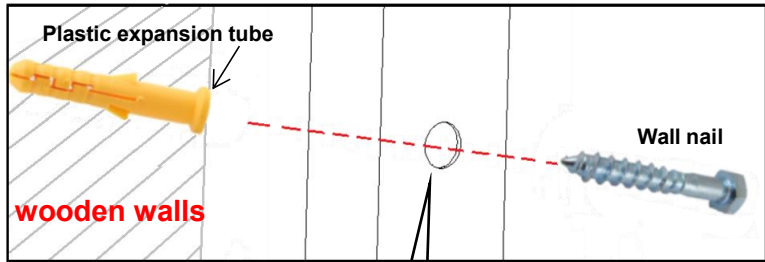
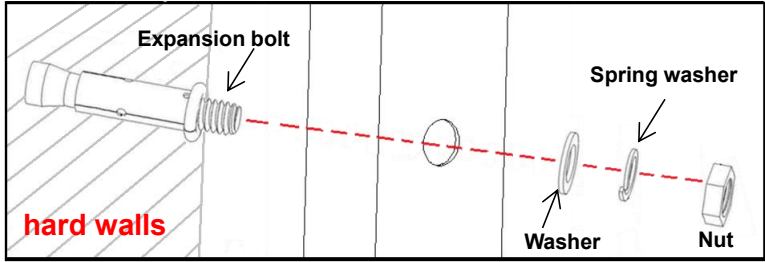
Installation drawings.



Mark 8 fixing hole positions on the wall according to the drawing, and then drill 8 holes.

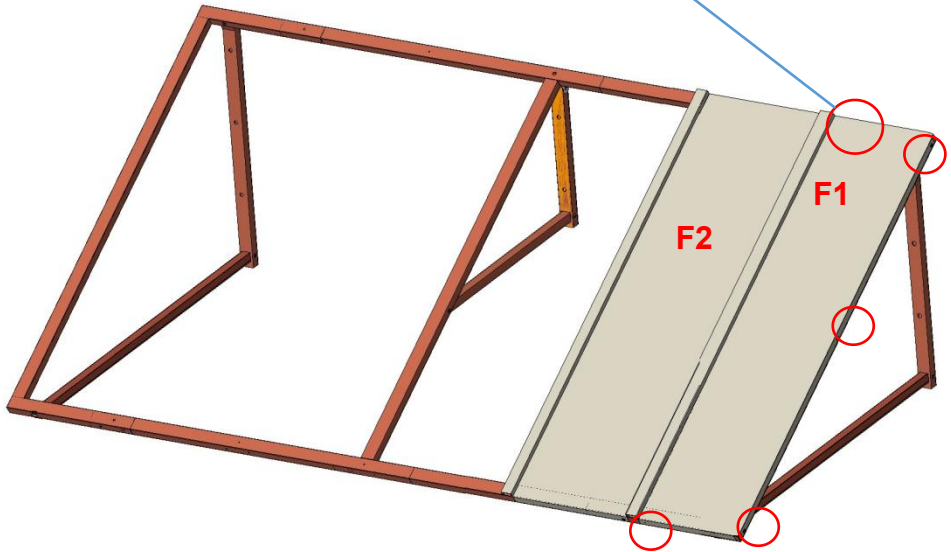
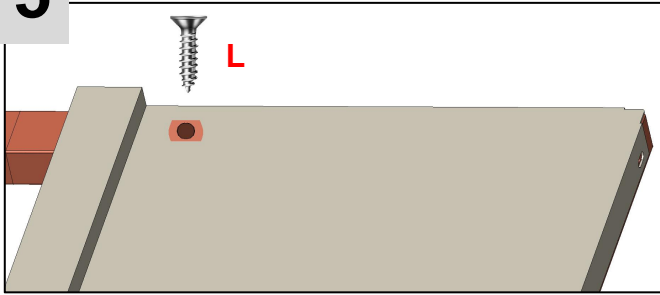
4-3

Installation drawings.

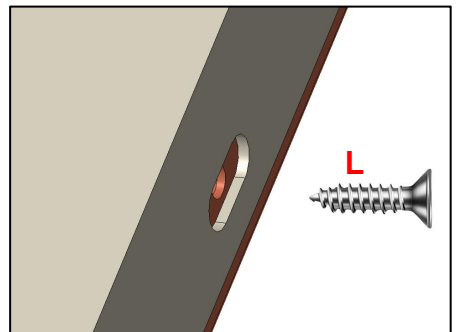


5

Installing the metal tiles.



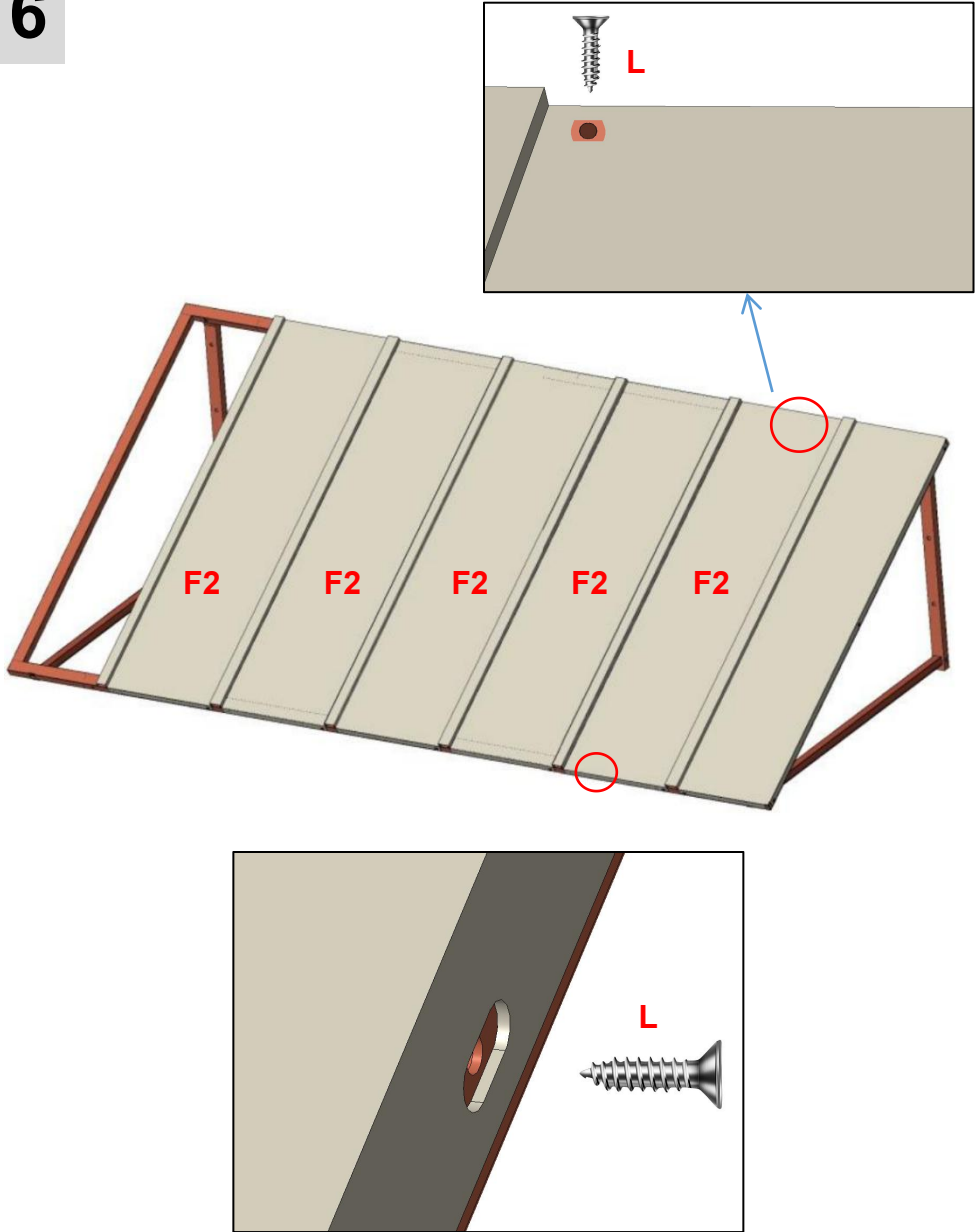
NOTE: After the frame is installed on the wall, install the metal tiles one piece by one.



- 1. Fix the shelf to the wall.**
- 2. Start installing the first metal tiles F1 and F2 from the right side of the product. Let F1 overlap F2, and then fix F1 with screws (L*5).**

6

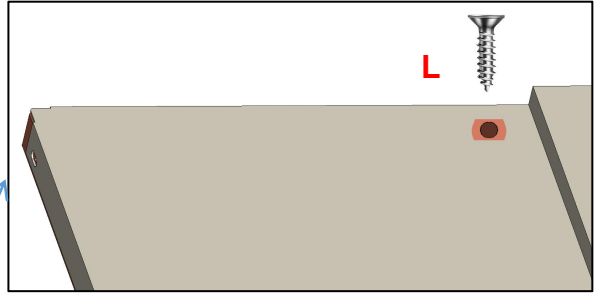
Installing the metal tiles.



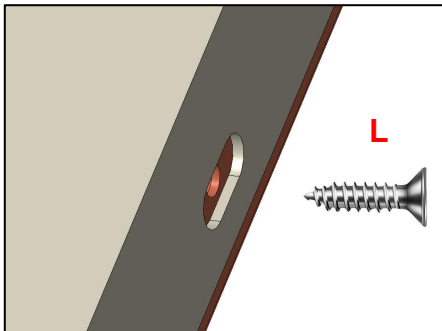
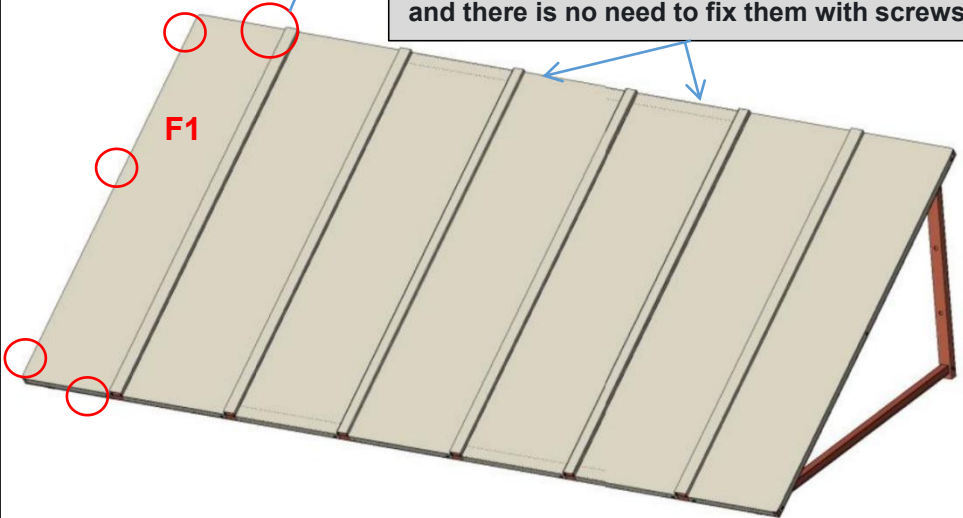
Install the metal tiles(F2) sequentially from the right side of the product and secure them with screws(L*10).

7

Installing the metal tiles.



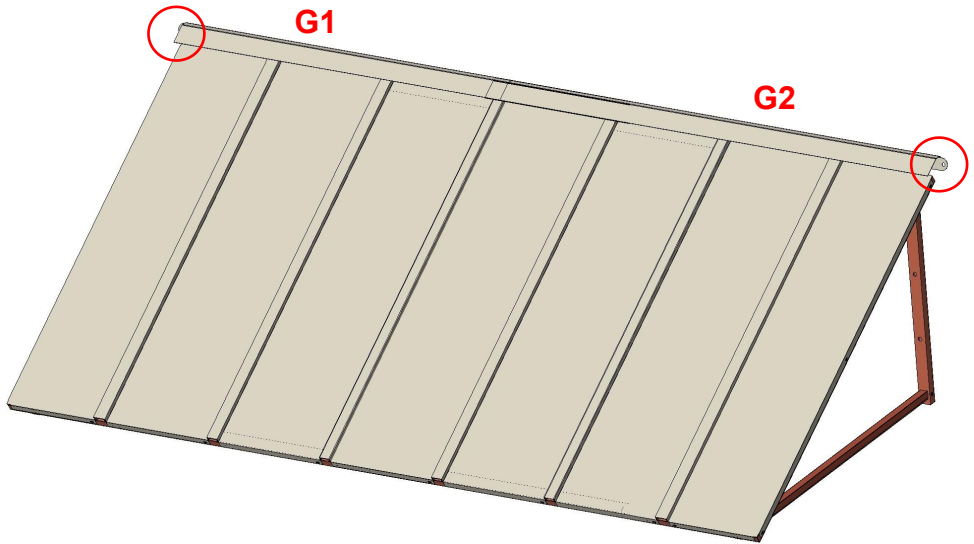
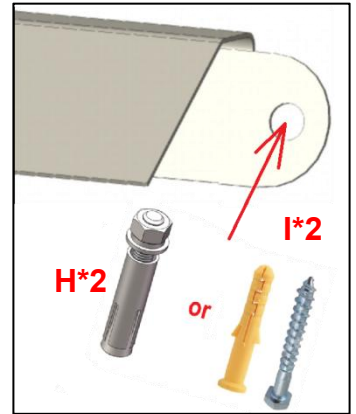
NOTE: There is a screw hole position on each metal tile at the top and on the side, and there is no need to fix them with screws.



Install the last tile F1 and fix it with screws(L*5).

8

Fix the metal plates.



Fix the metal plates G1 and G2 with screws(H or I).

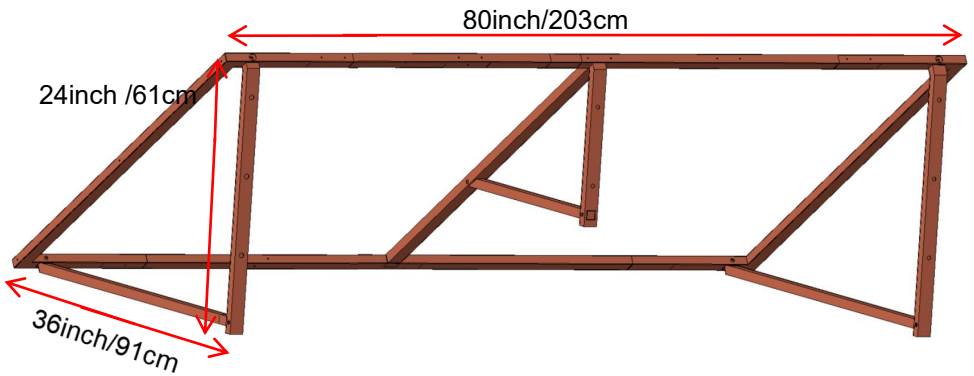
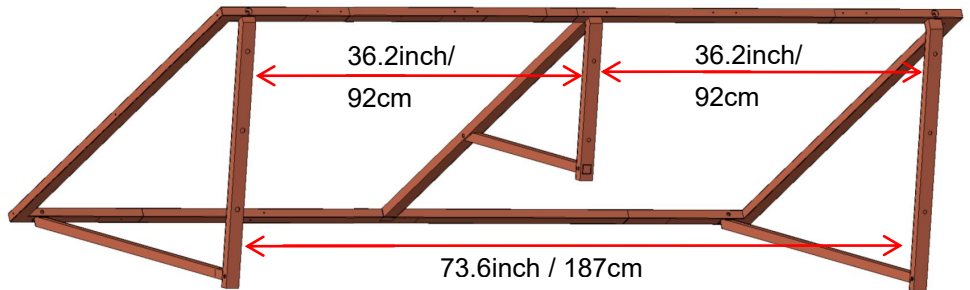
Plan 1(**Suitable for hard walls**): Install with expansion screws(H*2), using a drill bit with a diameter of $\varnothing 12\text{mm}$.

Plan 2(**Suitable for wooden walls**): Install with wall nails(I*2), using a drill bit with a diameter of $\varnothing 6\text{mm}$.

Metal plates (G1 G2): The height of the awning does not take the Metal plates into consideration. The metal plates can be mounted at any distance above the solid frame of the awning.

PRODUCT PARAMETER

Model	CGW-80INCH
Material	Iron
Colour	Black
Shading area	80*36inch(203*91cm)
Maximum suitable width for doors/windows	65.75inch/167cm



Snow Loads

The aluminum door canopies are manufactured from the highest - quality components available on the market today. They are designed to withstand normal weather conditions, including rain, sleet, snow, and wind. However, they are not designed to endure winds exceeding 30 miles per hour, snow loads of more than 12 inches of heavy, wet snow, or 24 inches of light snow. Additionally, they cannot withstand the impact force of snow and ice falling from an upper roof or piling up. This product will deliver excellent performance as long as it is installed correctly and used within its designed load - bearing limits.

Please remove snow promptly during use.

Manufacturer:Shanghaimuxinmuyeyouxiangongsi

Address:Shuangchenglu803nong11hao1602A-1609shi,baoshanqu,
shanghai200000CN.

ECREP:E-CrossStuGmbH.

MainzerLandstr.69,60329FrankfurtamMain.

UKREP:YHCONSULTINGLIMITED.

C/OYHConsultingLimitedOffice147,CenturionHouse,LondonRoad,
Staines-upon-Thames,Surrey,TW184AX

ImportedtoAUS:SIHAOPTYLTD.

1ROKEVASTREETEASTWOODNSW2122Australia

ImportedtoUSA:SanvenTechnologyLtd.

Suite250,9166AnaheimPlace,RanchoCucamonga,CA91730



Technical Support and E-Warranty Certificate
www.vevor.com/support

VEVOR

Affordable. Reliable. Home Improvement.

METAL DOOR AWNING

USER MANUAL

MODEL:CGW-80INCH

Technical Support and E-Warranty Certificate

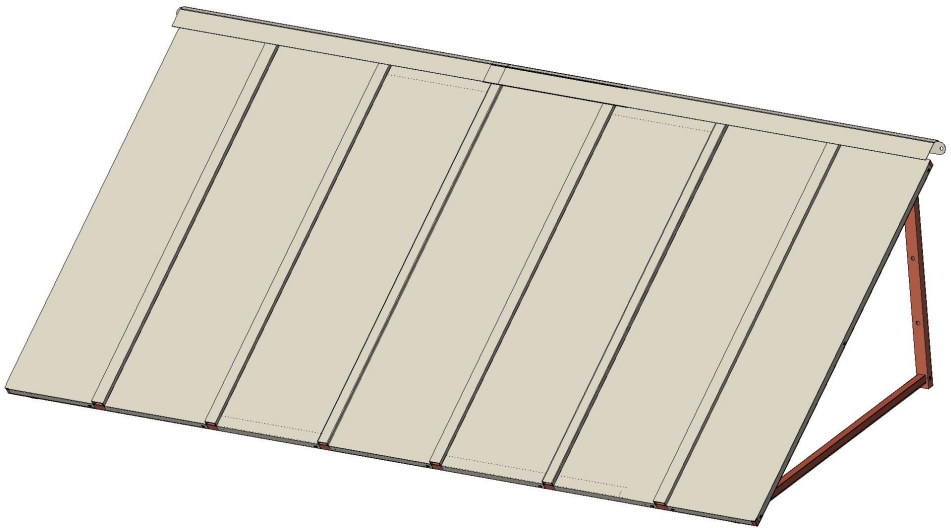
www.vevor.com/support

VEVOR

Affordable. Reliable. Home Improvement.

METAL DOOR AWNING

MODEL: CGW-80INCH



This is the original instruction, please read all manual instructions carefully before operating. VEVOR reserves a clear interpretation of our user manual. The appearance of the product shall be subject to the product you received. Please forgive us that we won't inform you again if there are any technology or software updates on our product.

SAFETY INSTRUCTIONS

WARNING:

Read this material before using this product. Failure to do so can result in serious injury.

Assembly precautions

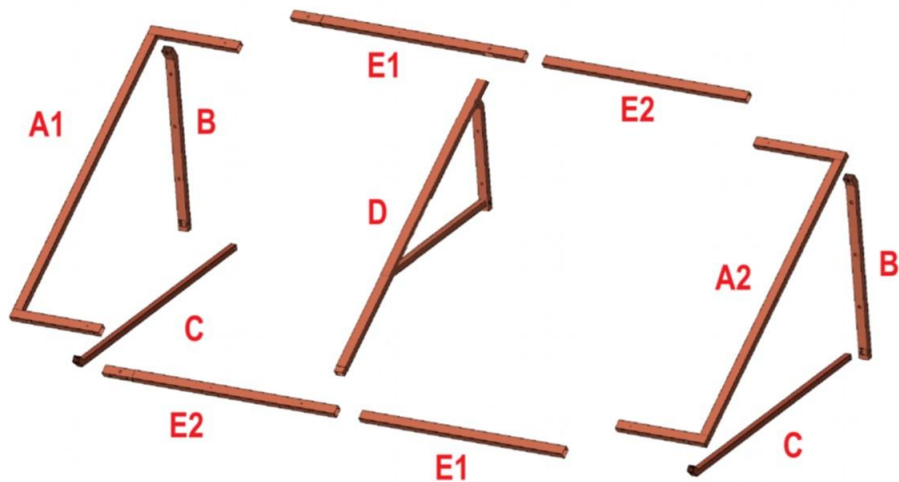
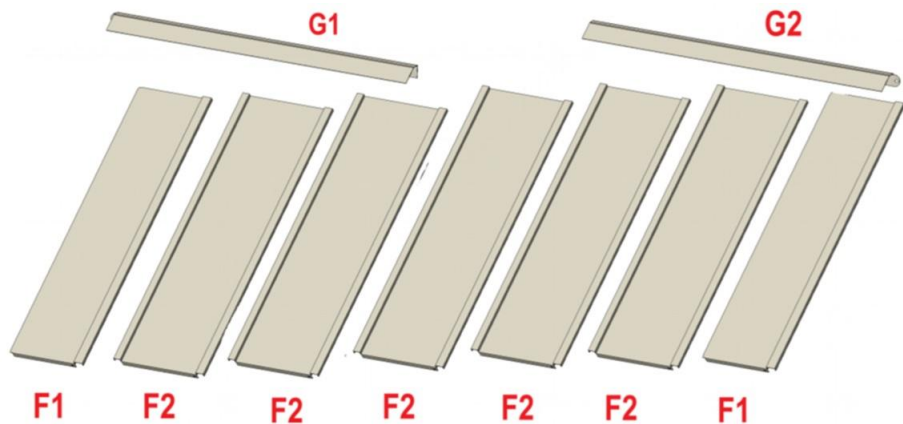
1. Assemble only according to these instructions. Improper assembly can create hazards.
2. Wear ANSI-approved safety goggles and heavy-duty work gloves during assembly.
3. Keep the assembly area clean and well-lit.
4. Keep bystanders out of the area during assembly.
5. Do not assemble if tired or when under the influence of alcohol, drugs or medication.
6. The product capabilities apply to properly and completely assembled products only.
7. Assemble on a flat, level, hard and smooth surface capable of safely supporting the Metal Door Awning.
8. For additional information regarding the parts listed in the following pages, please refer to the Assembly Diagram of this manual. Unwrap and separate all parts in a clean work area.

Use precautions

1. DO NOT SIT OR STAND ON THIS ITEM.
2. This product is not a toy. Do not allow children to play with or near this item.
3. Do not exceed specified weight capacities.
4. Use only on a flat, level, hard, and smooth surface that can safely support a fully loaded Metal Door Awning.
5. Use as intended only.
6. Inspect before every use; do not use if parts are loose or damaged.
7. Spare parts such as screws are available.

SAVE THIS MANUAL

PARTS LIST



H*10



I*10



















J*2



K*6



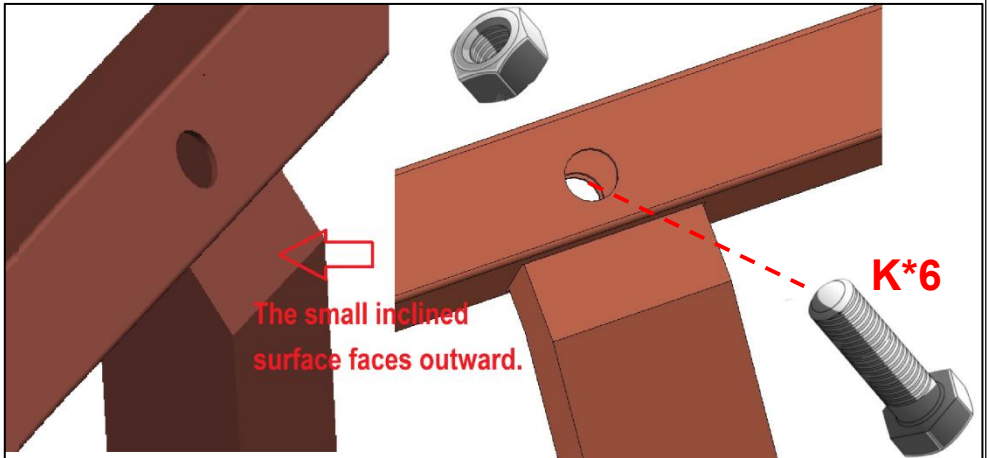
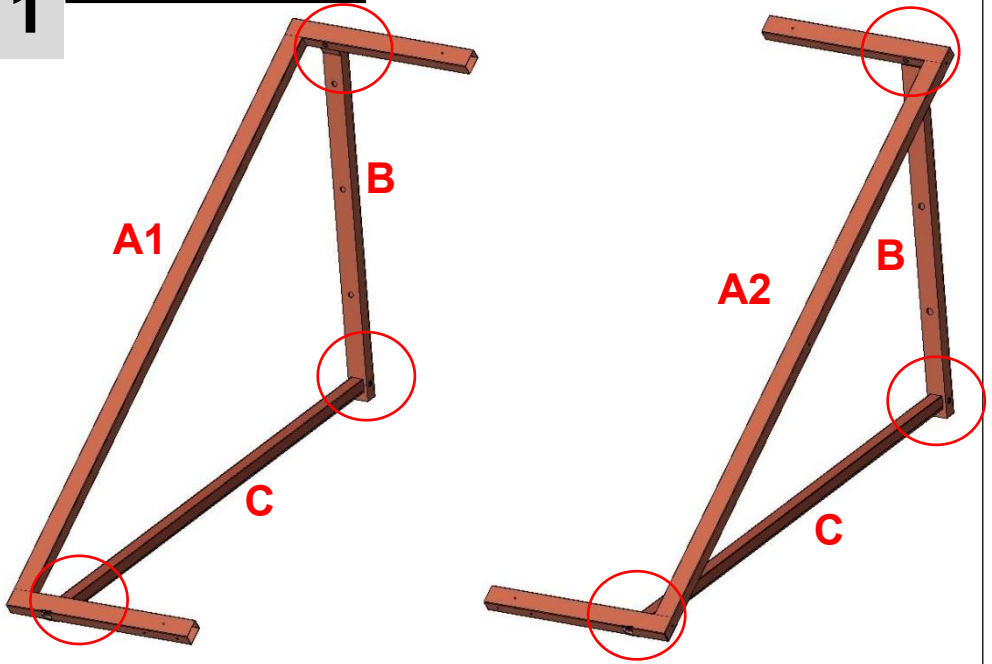
L*26

Serial number	Quantity	Part picture
A1	1	
A2	1	
B	2	
C	2	
D	1	
E1	2	
E2	2	
F1	2	
F2	5	
G1	1	
G2	1	
H	10	
I	10	
J	2	<div style="display: flex; align-items: center; justify-content: space-between;"> <div style="text-align: center;"></div> <div style="text-align: right;">Short screw M8*25mm</div> </div>
K	6	<div style="display: flex; align-items: center; justify-content: space-between;"> <div style="text-align: center;"></div> <div style="text-align: right;">Long screw M8*40mm</div> </div>
L	26	

ASSEMBLY STEP

1

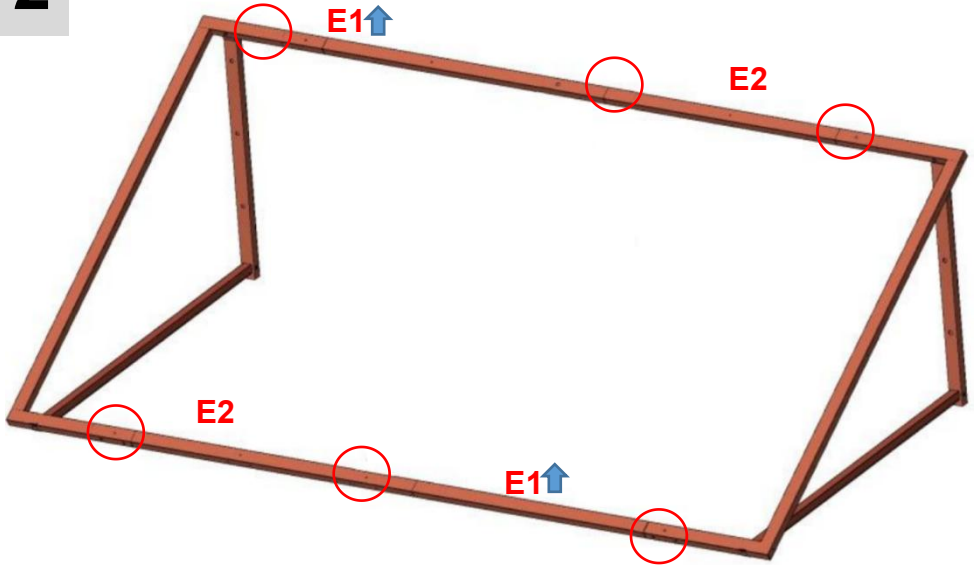
Assemble the frame.



Use screws(K*6) to assemble the support tripods on both sides.

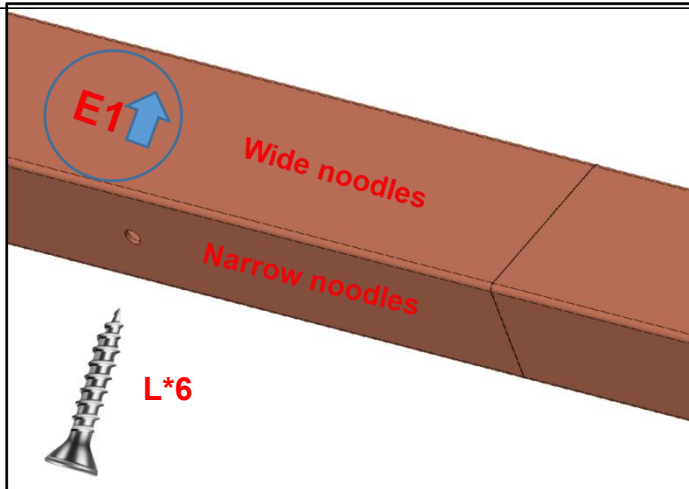
2

Assemble the frame.



Part E1 is labeled with an arrow mark.

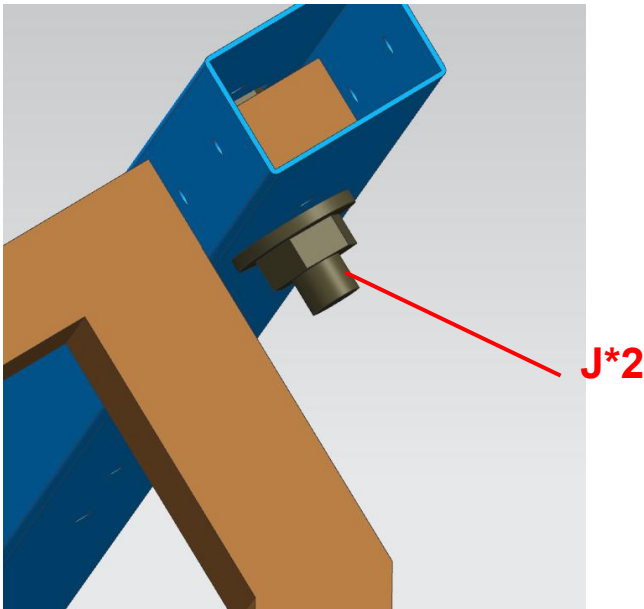
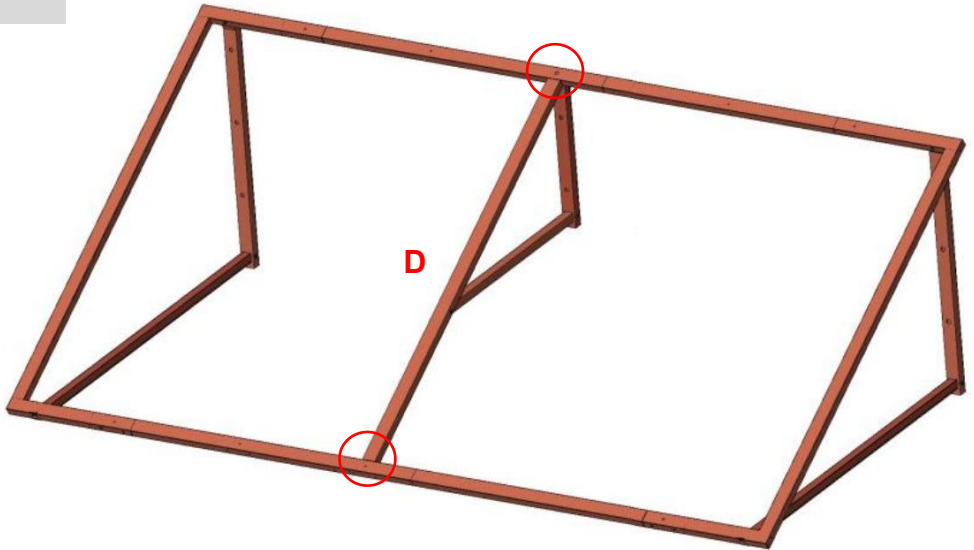
Please pay attention to distinguishing the upper and lower directions according to the arrow mark and install it as shown in the diagram.



Assemble the frame using screws(L*6).

3

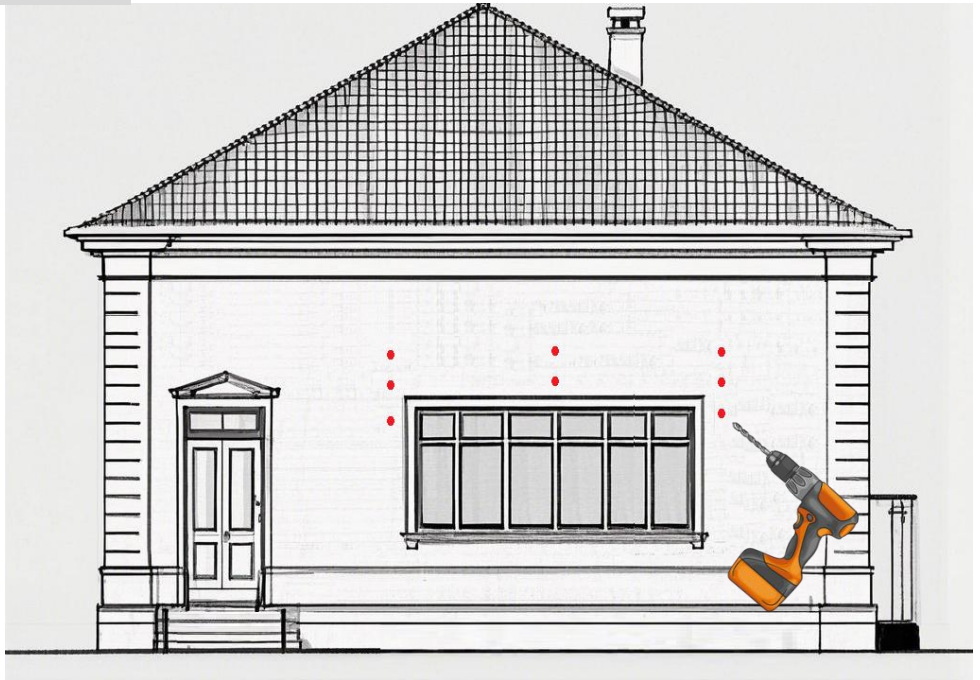
Assemble the frame.



Use screws(J*2) to assemble the middle support tripod.

4-1

Mount the frame on the wall.



Parts Required

Drill	Level	Measuring Tape	Chalk/Graphite	Step-Ladder
-------	-------	----------------	----------------	-------------

- 1.The installation drawings are on the next page.
- 2.Mark the location of the mounting holes measured onto your mounting surface using chalk/graphite. Use a level as needed.
- 3.Drill pilot holes onto the specific markers. Select the size of the drilled hole according to the following different types of walls.

Plan 1(**Suitable for hard walls**): Install with expansion screws(H*8), using a drill bit with a diameter of $\varnothing 12\text{mm}$.

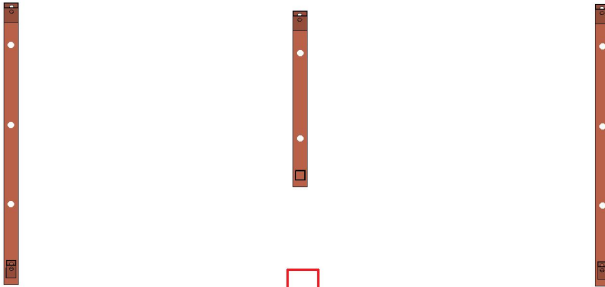
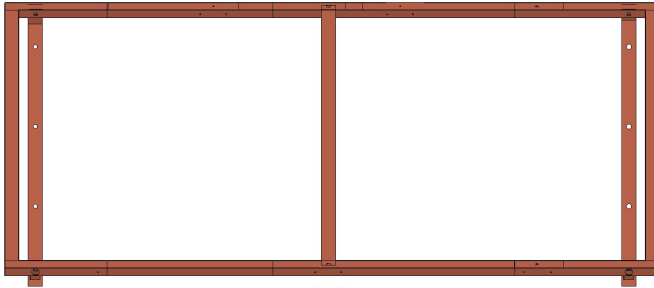
Plan 2(**Suitable for wooden walls**): Install with wall nails(l*8), using a drill bit with a diameter of $\varnothing 6\text{mm}$.

- 4.Fix the whole assembled frame to the wall.

Note: Check whether the frame is firmly installed on the wall to prevent it from falling off in the later stage.

4-2

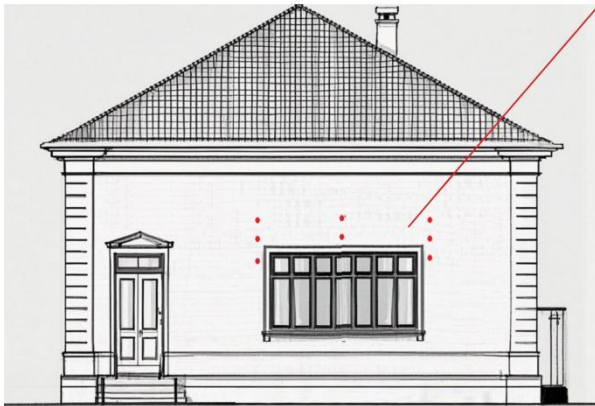
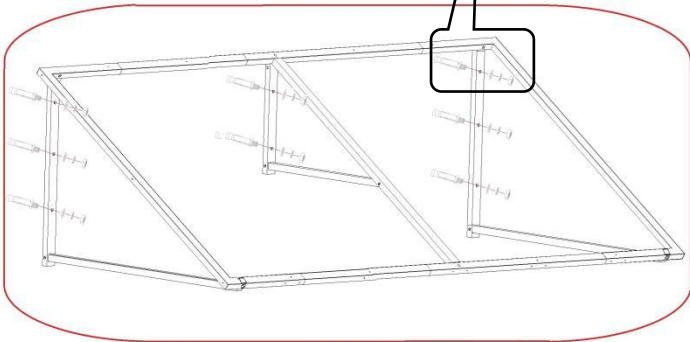
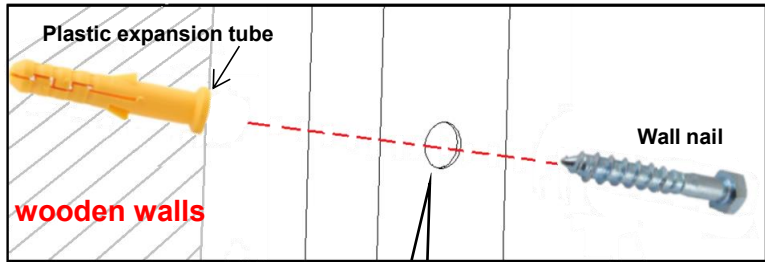
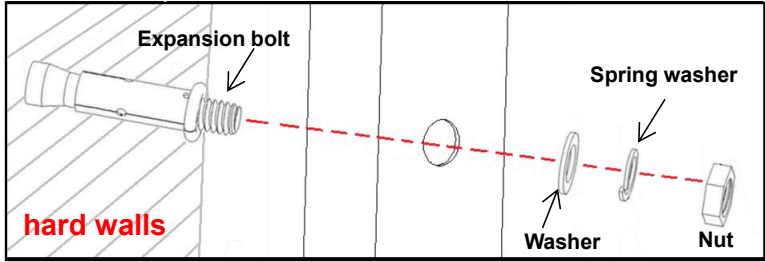
Installation drawings.



Mark 8 fixing hole positions on the wall according to the drawing, and then drill 8 holes.

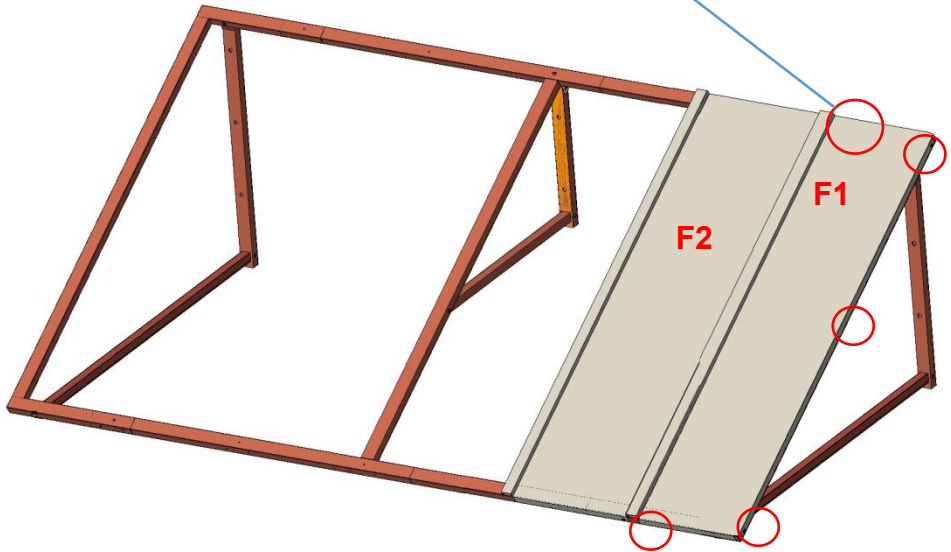
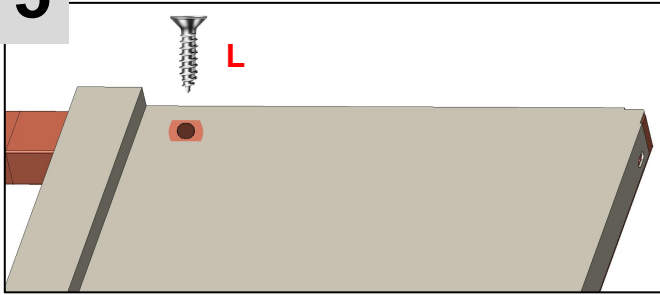
4-3

Installation drawings.

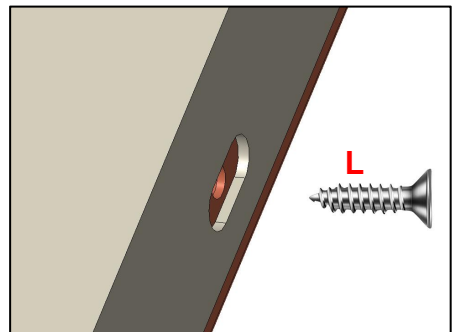


5

Installing the metal tiles.



NOTE: After the frame is installed on the wall, install the metal tiles one piece by one.

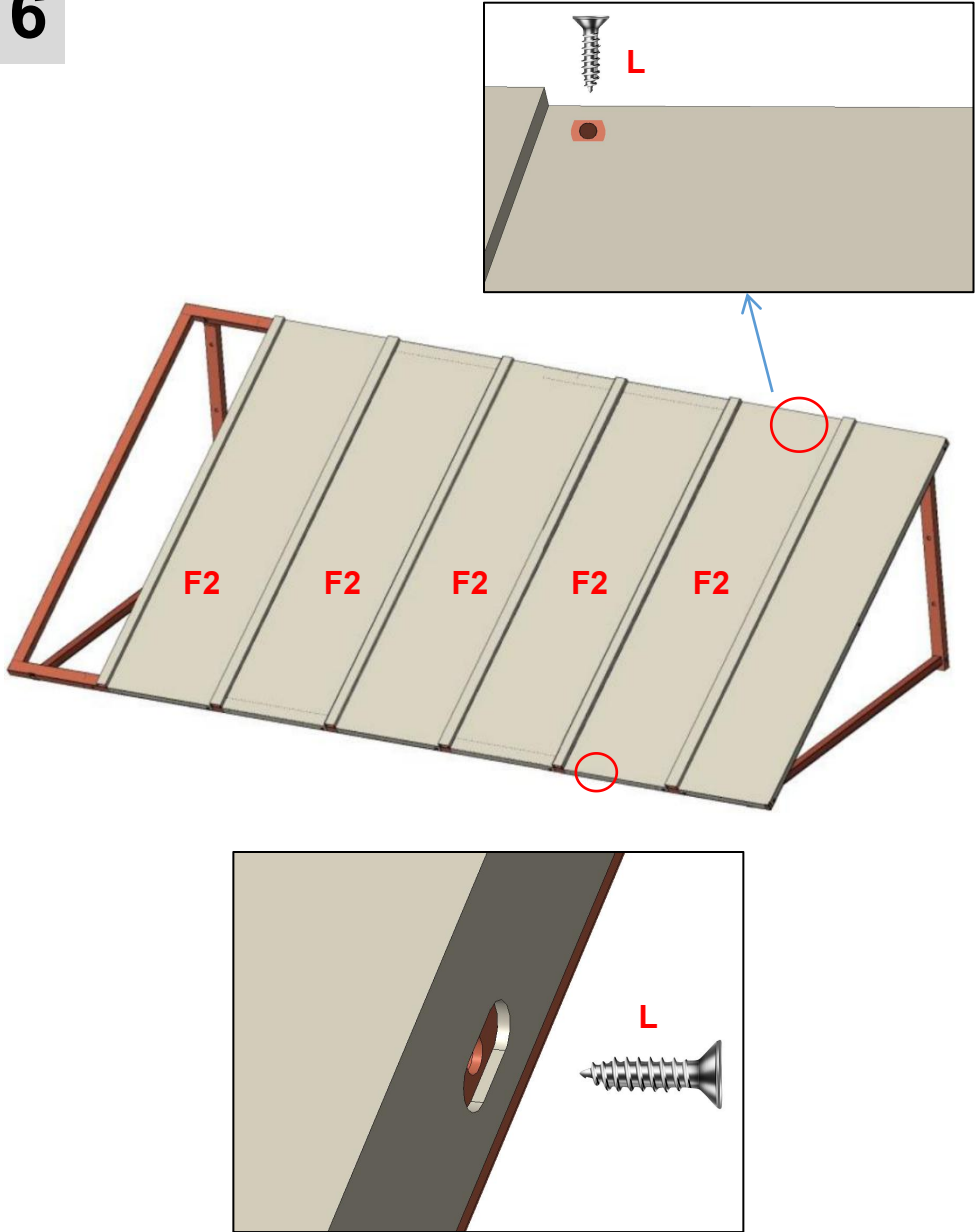


1. Fix the shelf to the wall.

2. Start installing the first metal tiles F1 and F2 from the right side of the product. Let F1 overlap F2, and then fix F1 with screws (L*5).

6

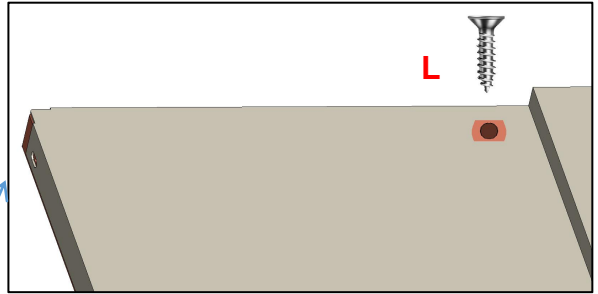
Installing the metal tiles.



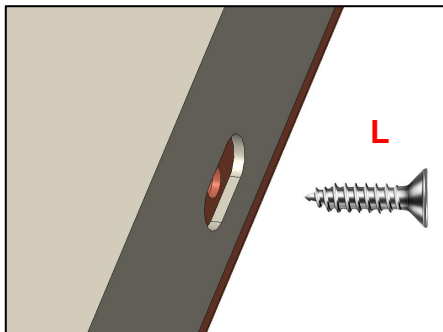
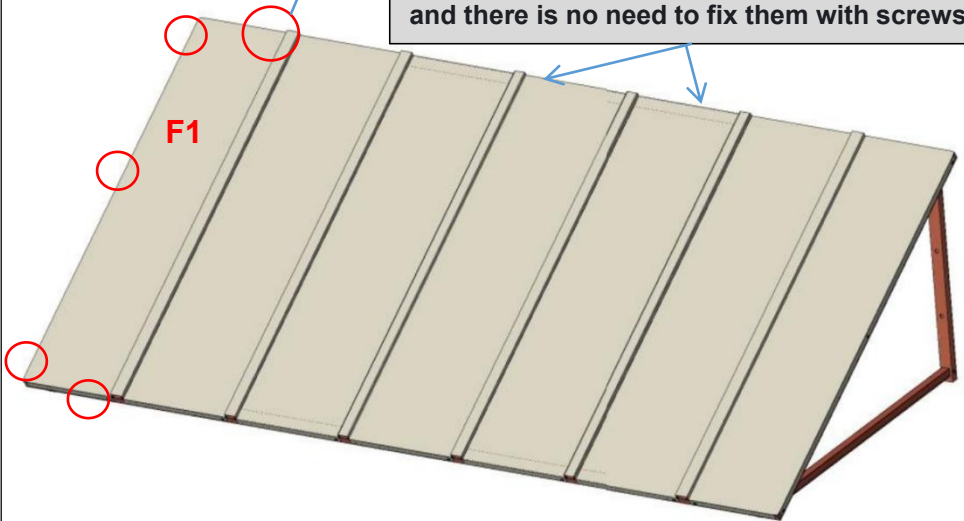
Install the metal tiles(F2) sequentially from the right side of the product and secure them with screws(L*10).

7

Installing the metal tiles.



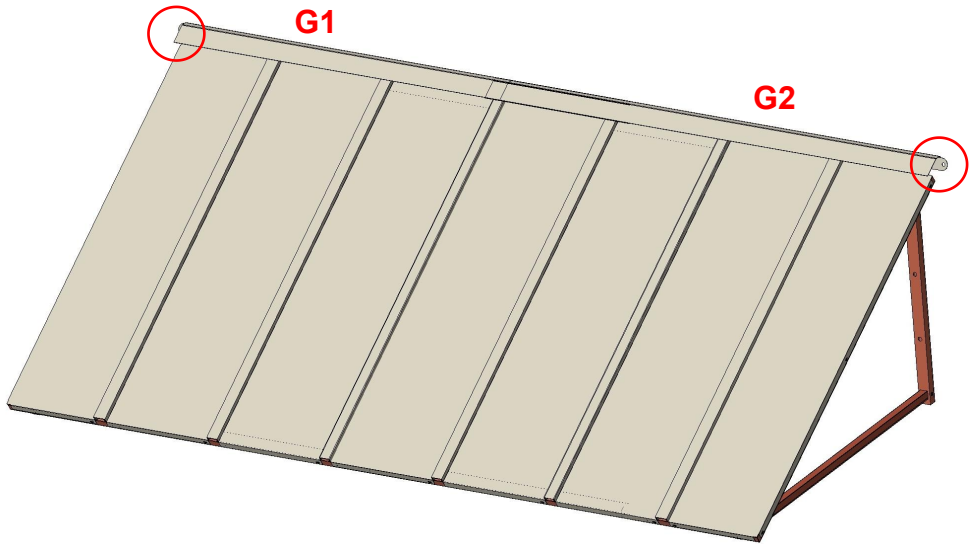
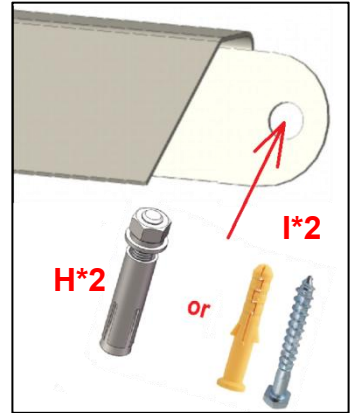
NOTE: There is a screw hole position on each metal tile at the top and on the side, and there is no need to fix them with screws.



Install the last tile F1 and fix it with screws(L*5).

8

Fix the metal plates.



Fix the metal plates G1 and G2 with screws(H or I).

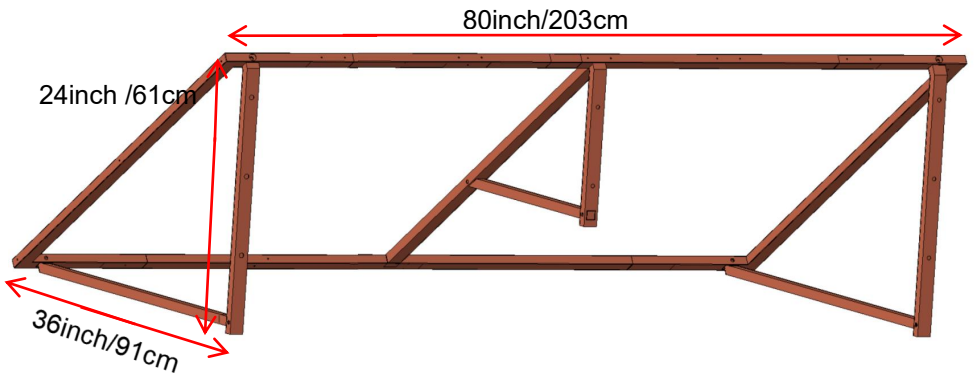
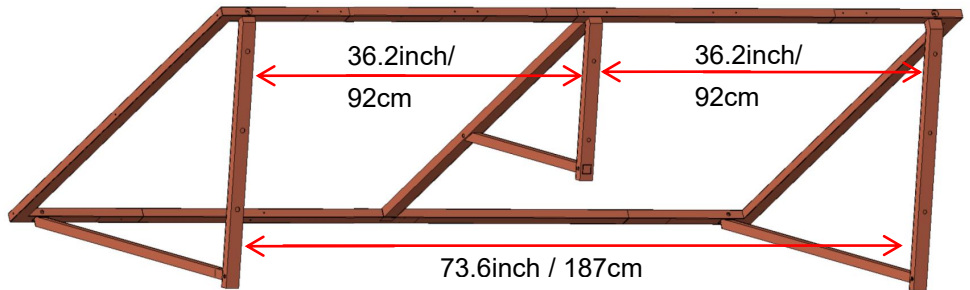
Plan 1(**Suitable for hard walls**): Install with expansion screws(H*2), using a drill bit with a diameter of $\varnothing 12\text{mm}$.

Plan 2(**Suitable for wooden walls**): Install with wall nails(I*2), using a drill bit with a diameter of $\varnothing 6\text{mm}$.

Metal plates (G1 G2): The height of the awning does not take the Metal plates into consideration. The metal plates can be mounted at any distance above the solid frame of the awning.

PRODUCT PARAMETER

Model	CGW-80INCH
Material	Iron
Colour	Black
Shading area	80*36inch(203*91cm)
Maximum suitable width for doors/windows	65.75inch/167cm



Snow Loads

The aluminum door canopies are manufactured from the highest - quality components available on the market today. They are designed to withstand normal weather conditions, including rain, sleet, snow, and wind. However, they are not designed to endure winds exceeding 30 miles per hour, snow loads of more than 12 inches of heavy, wet snow, or 24 inches of light snow. Additionally, they cannot withstand the impact force of snow and ice falling from an upper roof or piling up. This product will deliver excellent performance as long as it is installed correctly and used within its designed load - bearing limits.

Please remove snow promptly during use.

Manufacturer:Shanghaimuxinmuyeyouxiangongsi

Address:Shuangchenglu803nong11hao1602A-1609shi,baoshanqu,
shanghai200000CN.

ECREP:E-CrossStuGmbH.

MainzerLandstr.69,60329FrankfurtamMain.

UKREP:YHCONSULTINGLIMITED.

C/OYHConsultingLimitedOffice147,CenturionHouse,LondonRoad,
Staines-upon-Thames,Surrey,TW184AX

ImportedtoAUS:SIHAOPTYLTD.

1ROKEVASTREETEASTWOODNSW2122Australia

ImportedtoUSA:SanvenTechnologyLtd.

Suite250,9166AnaheimPlace,RanchoCucamonga,CA91730



Technical Support and E-Warranty Certificate
www.vevor.com/support

VEVOR

Affordable. Reliable. Home Improvement.

METAL DOOR AWNING

USER MANUAL

MODEL:CGW-80INCH

Technical Support and E-Warranty Certificate

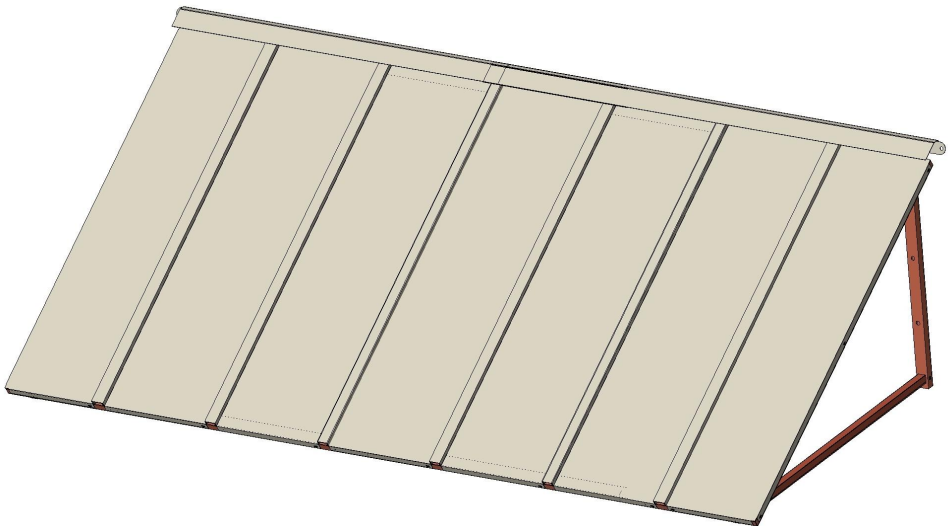
www.vevor.com/support

VEVOR

Affordable. Reliable. Home Improvement.

METAL DOOR AWNING

MODEL: CGW-80INCH



This is the original instruction, please read all manual instructions carefully before operating. VEVOR reserves a clear interpretation of our user manual. The appearance of the product shall be subject to the product you received. Please forgive us that we won't inform you again if there are any technology or software updates on our product.

SAFETY INSTRUCTIONS

WARNING:

Read this material before using this product. Failure to do so can result in serious injury.

Assembly precautions

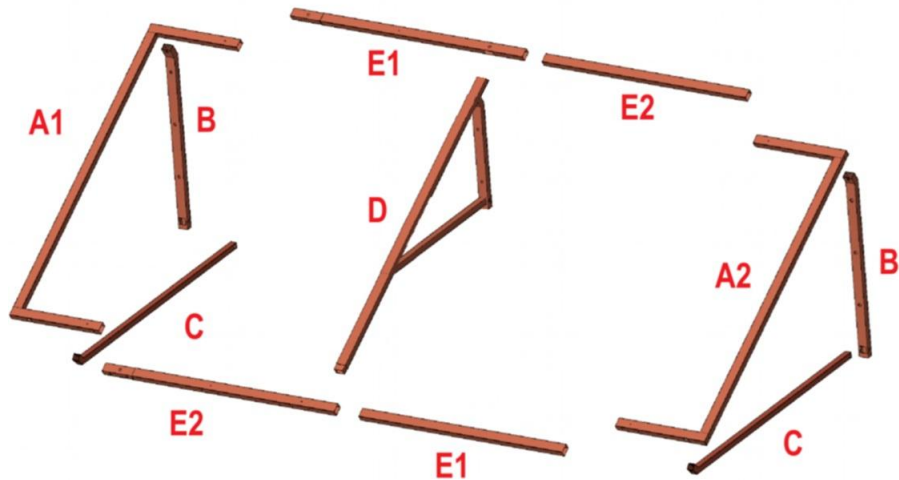
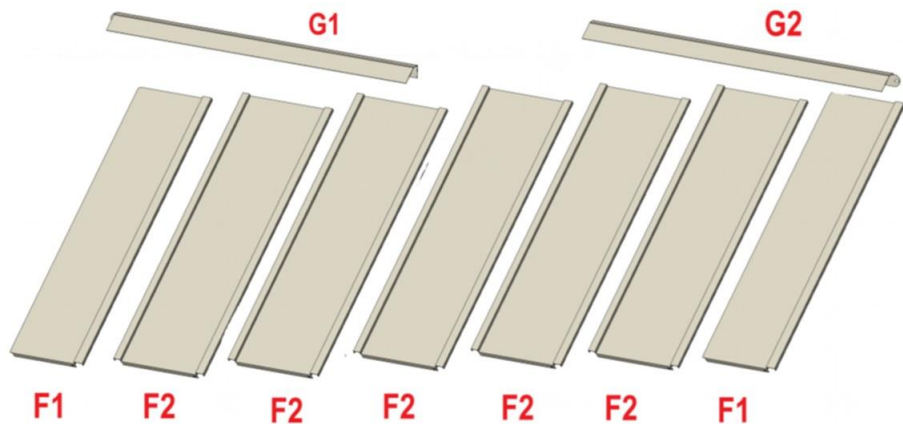
1. Assemble only according to these instructions. Improper assembly can create hazards.
2. Wear ANSI-approved safety goggles and heavy-duty work gloves during assembly.
3. Keep the assembly area clean and well-lit.
4. Keep bystanders out of the area during assembly.
5. Do not assemble if tired or when under the influence of alcohol, drugs or medication.
6. The product capabilities apply to properly and completely assembled products only.
7. Assemble on a flat, level, hard and smooth surface capable of safely supporting the Metal Door Awning.
8. For additional information regarding the parts listed in the following pages, please refer to the Assembly Diagram of this manual. Unwrap and separate all parts in a clean work area.

Use precautions

1. DO NOT SIT OR STAND ON THIS ITEM.
2. This product is not a toy. Do not allow children to play with or near this item.
3. Do not exceed specified weight capacities.
4. Use only on a flat, level, hard, and smooth surface that can safely support a fully loaded Metal Door Awning.
5. Use as intended only.
6. Inspect before every use; do not use if parts are loose or damaged.
7. Spare parts such as screws are available.

SAVE THIS MANUAL

PARTS LIST



H*10



I*10



















J*2



K*6



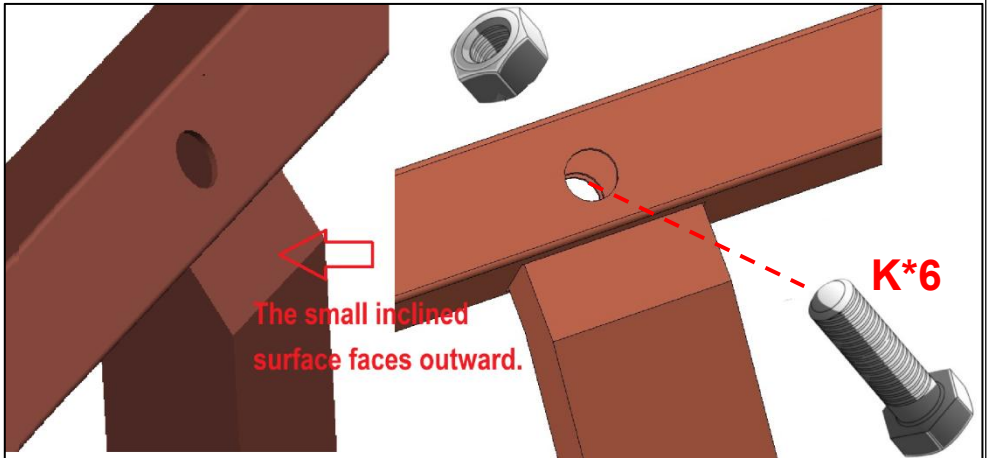
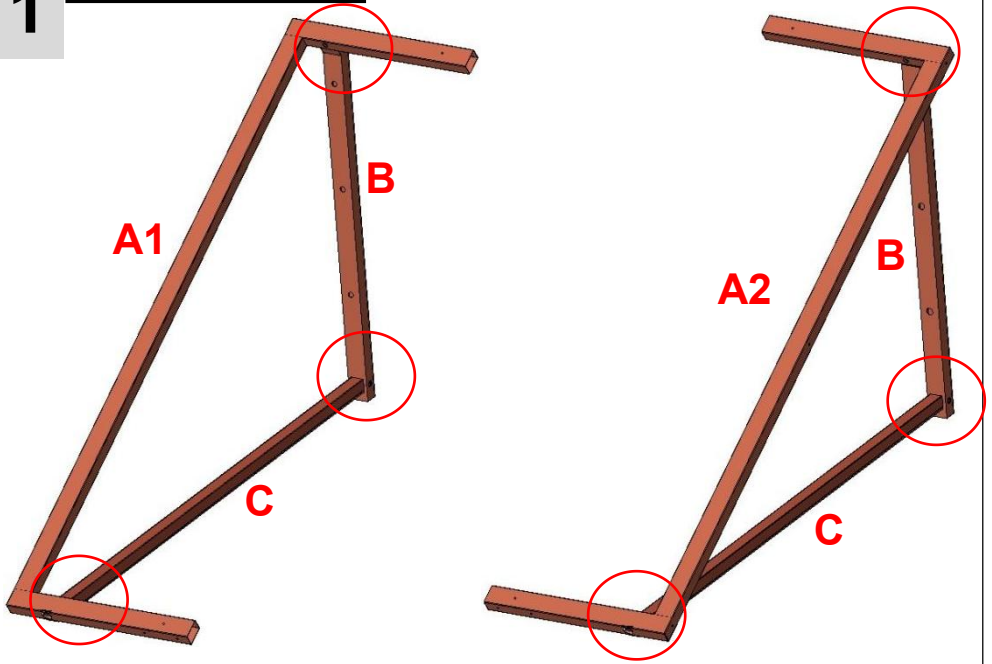
L*26

Serial number	Quantity	Part picture
A1	1	
A2	1	
B	2	
C	2	
D	1	
E1	2	
E2	2	
F1	2	
F2	5	
G1	1	
G2	1	
H	10	
I	10	
J	2	<div style="display: flex; align-items: center; justify-content: space-between;"> <div style="text-align: center;"></div> <div style="text-align: right;">Short screw M8*25mm</div> </div>
K	6	<div style="display: flex; align-items: center; justify-content: space-between;"> <div style="text-align: center;"></div> <div style="text-align: right;">Long screw M8*40mm</div> </div>
L	26	

ASSEMBLY STEP

1

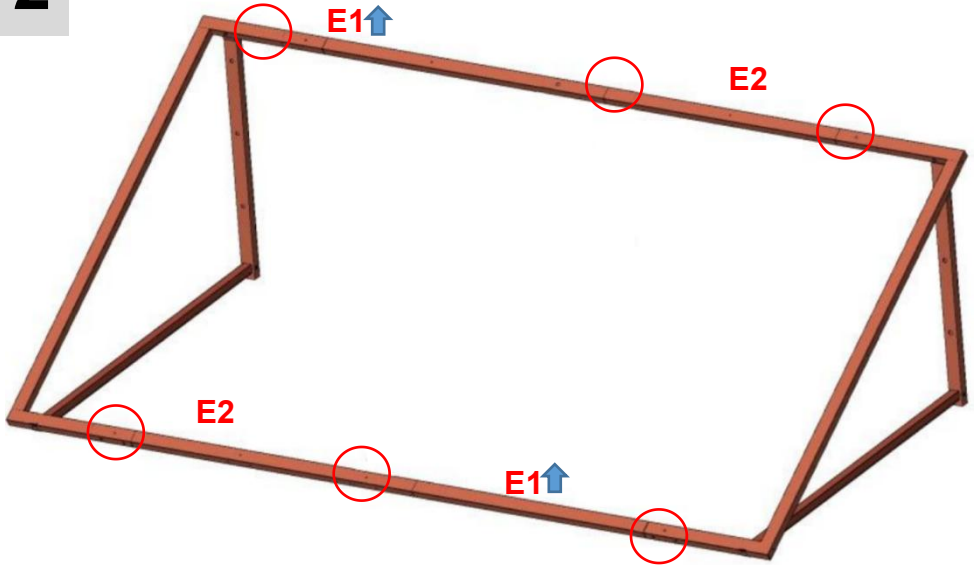
Assemble the frame.



Use screws(K*6) to assemble the support tripods on both sides.

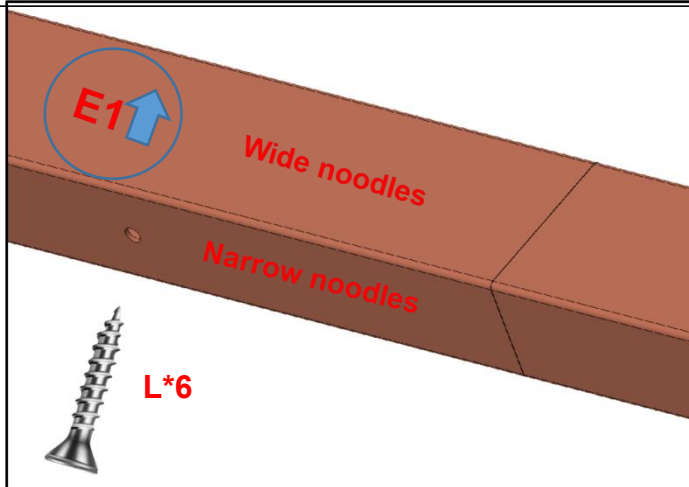
2

Assemble the frame.



Part E1 is labeled with an arrow mark.

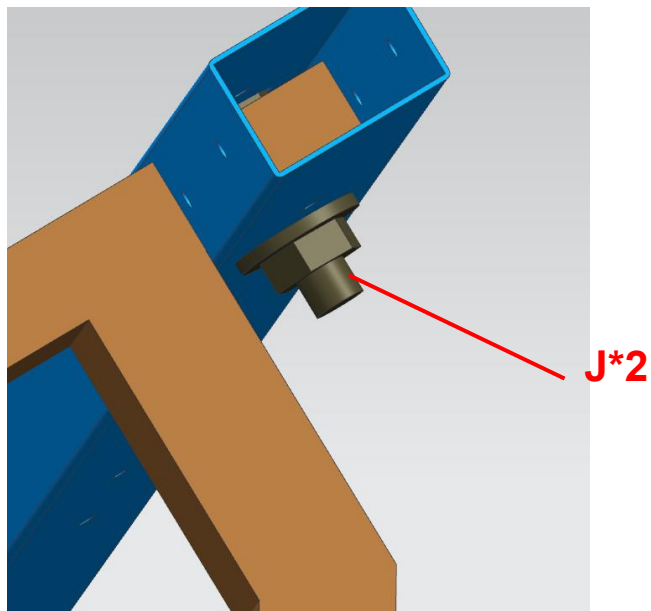
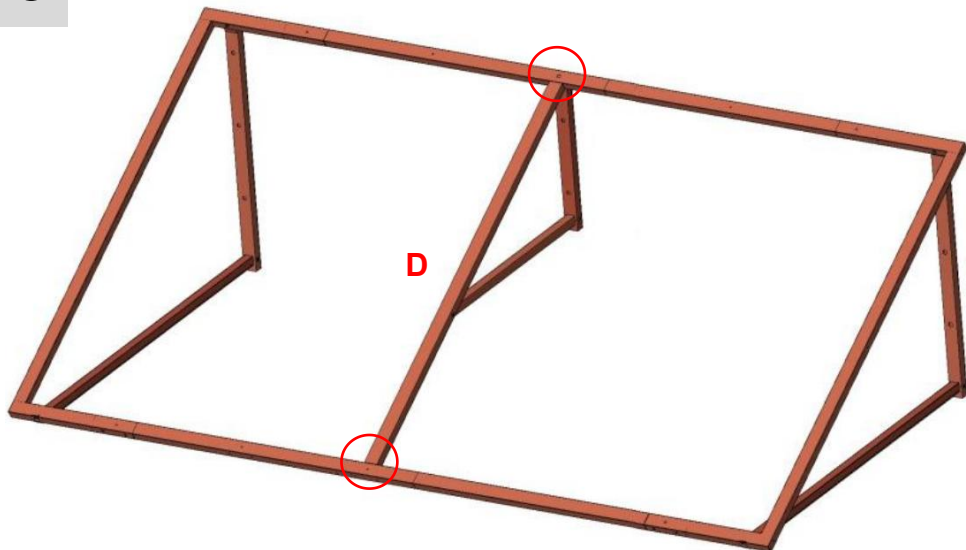
Please pay attention to distinguishing the upper and lower directions according to the arrow mark and install it as shown in the diagram.



Assemble the frame using screws(L*6).

3

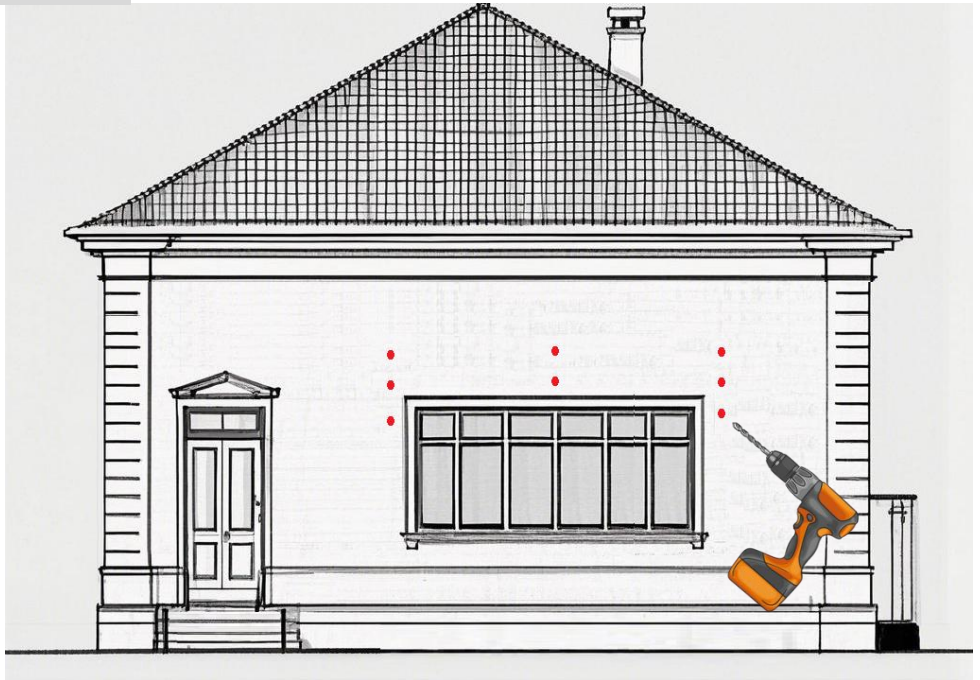
Assemble the frame.



Use screws(J*2) to assemble the middle support tripod.

4-1

Mount the frame on the wall.



Parts Required

Drill	Level	Measuring Tape	Chalk/Graphite	Step-Ladder
-------	-------	----------------	----------------	-------------

- 1.The installation drawings are on the next page.
- 2.Mark the location of the mounting holes measured onto your mounting surface using chalk/graphite. Use a level as needed.
- 3.Drill pilot holes onto the specific markers. Select the size of the drilled hole according to the following different types of walls.

Plan 1(**Suitable for hard walls**): Install with expansion screws(H*8), using a drill bit with a diameter of $\varnothing 12\text{mm}$.

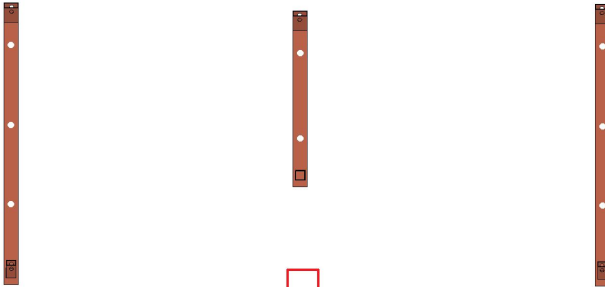
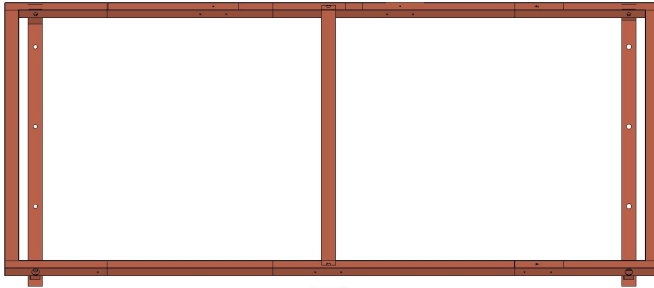
Plan 2(**Suitable for wooden walls**): Install with wall nails(l*8), using a drill bit with a diameter of $\varnothing 6\text{mm}$.

- 4.Fix the whole assembled frame to the wall.

Note: Check whether the frame is firmly installed on the wall to prevent it from falling off in the later stage.

4-2

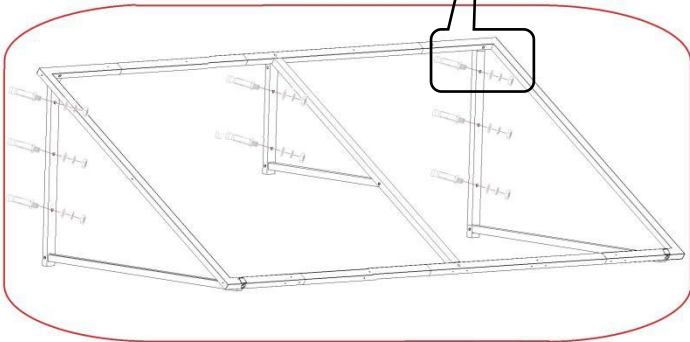
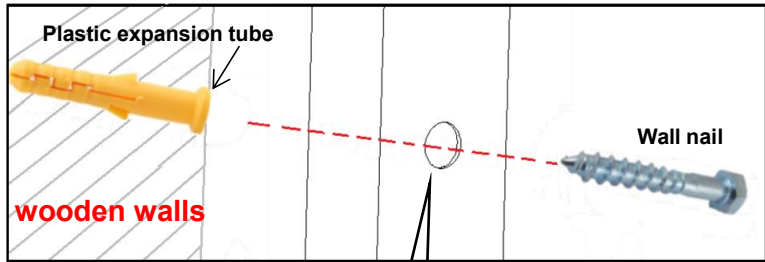
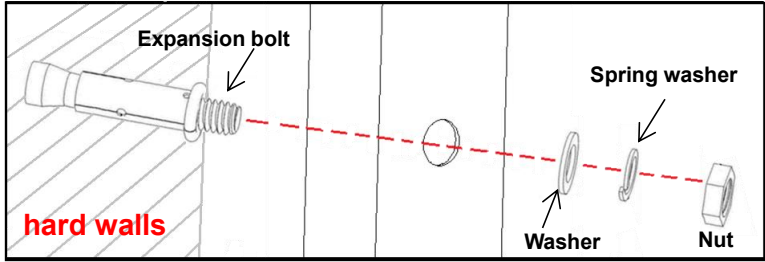
Installation drawings.



Mark 8 fixing hole positions on the wall according to the drawing, and then drill 8 holes.

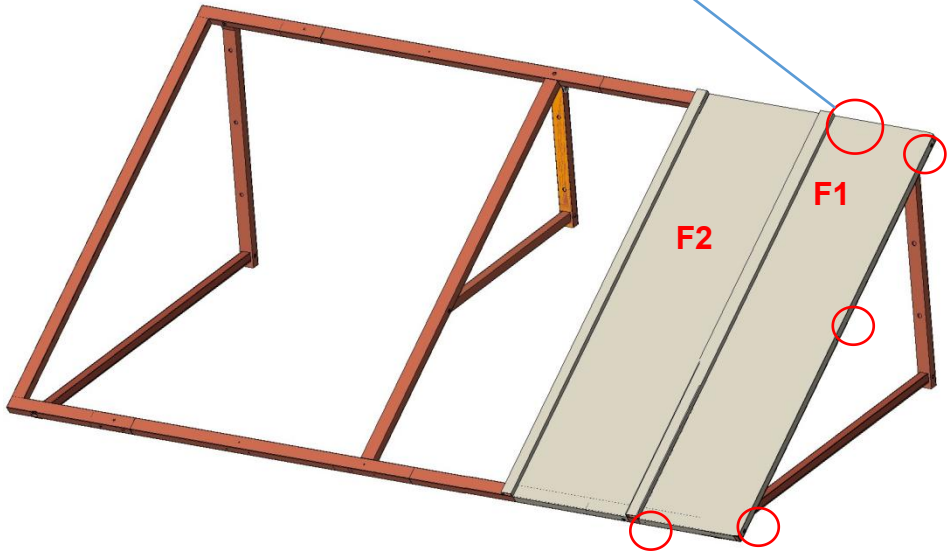
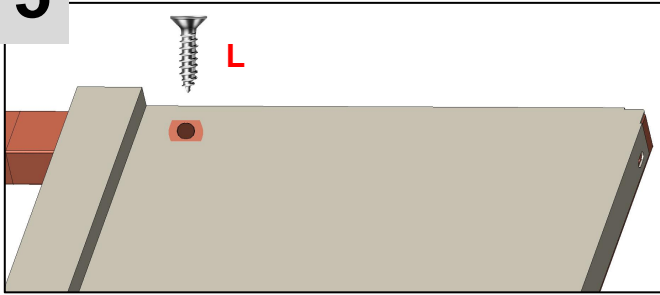
4-3

Installation drawings.

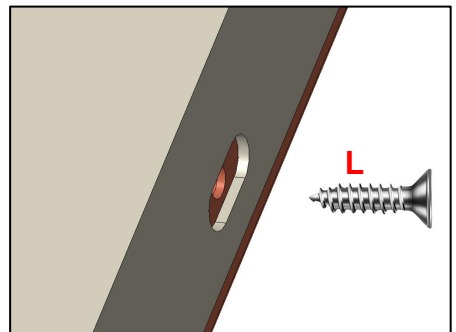


5

Installing the metal tiles.



NOTE: After the frame is installed on the wall, install the metal tiles one piece by one.

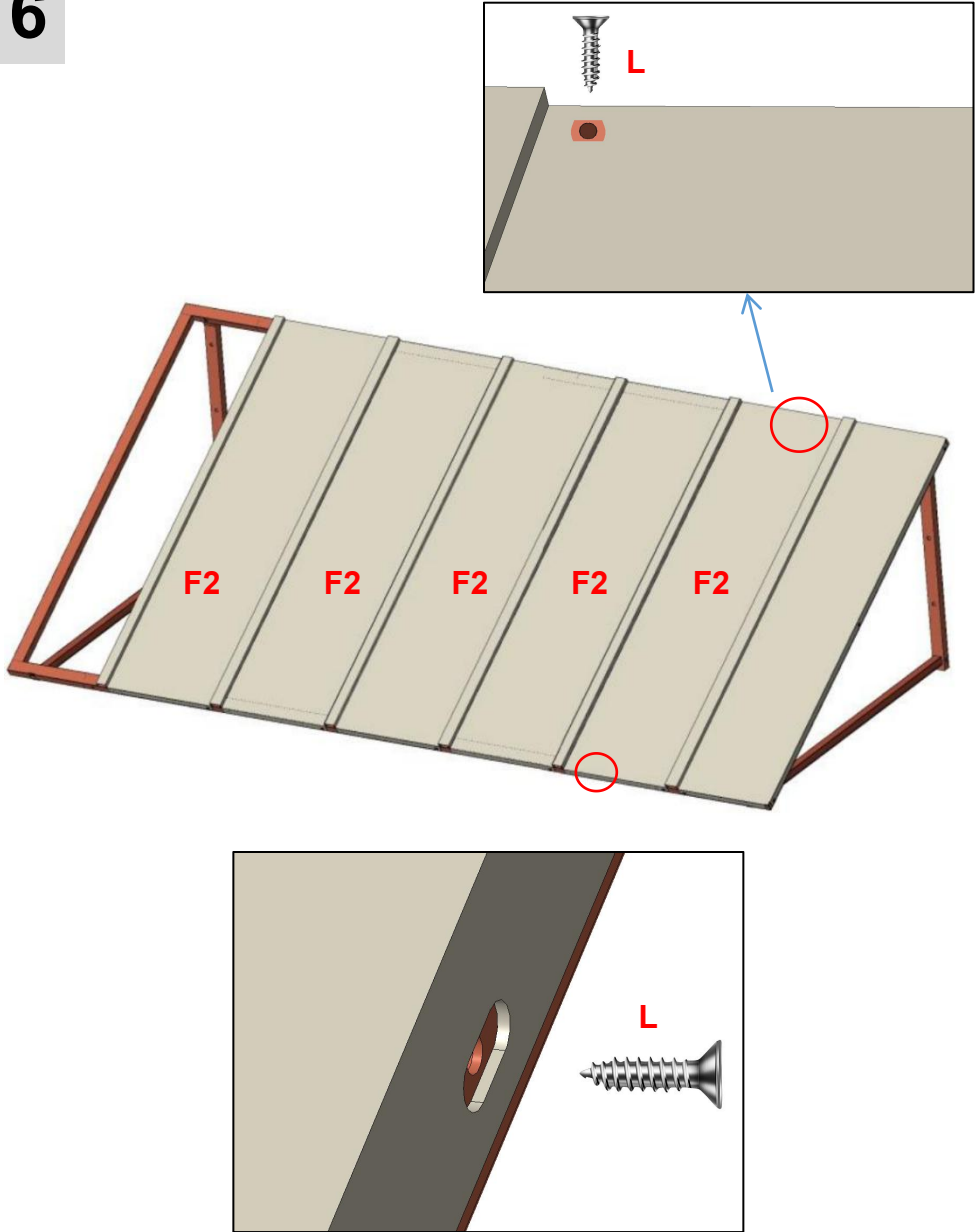


1. Fix the shelf to the wall.

2. Start installing the first metal tiles F1 and F2 from the right side of the product. Let F1 overlap F2, and then fix F1 with screws (L*5).

6

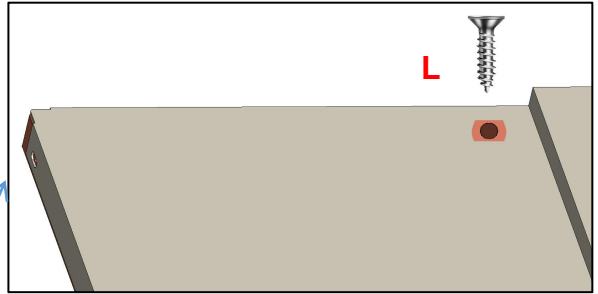
Installing the metal tiles.



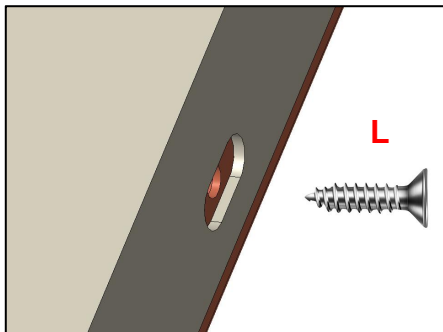
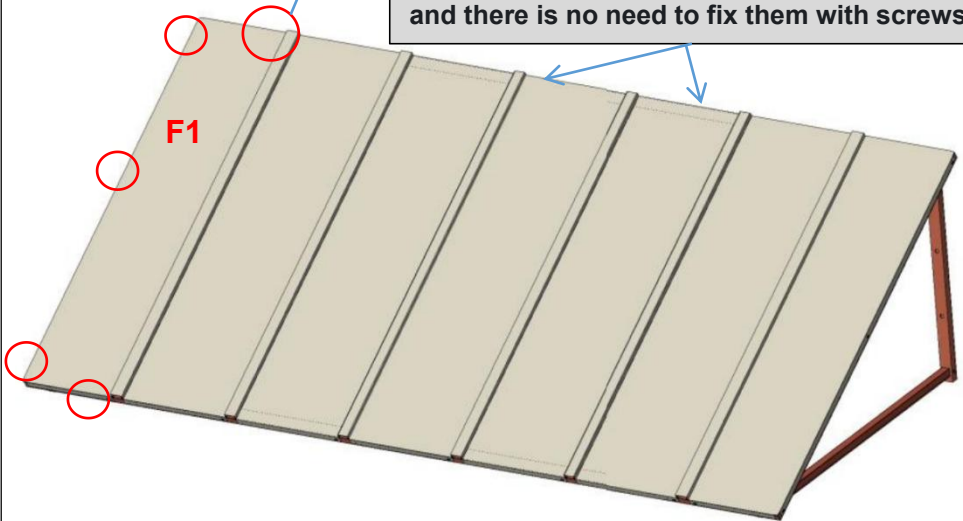
Install the metal tiles(F2) sequentially from the right side of the product and secure them with screws(L*10).

7

Installing the metal tiles.



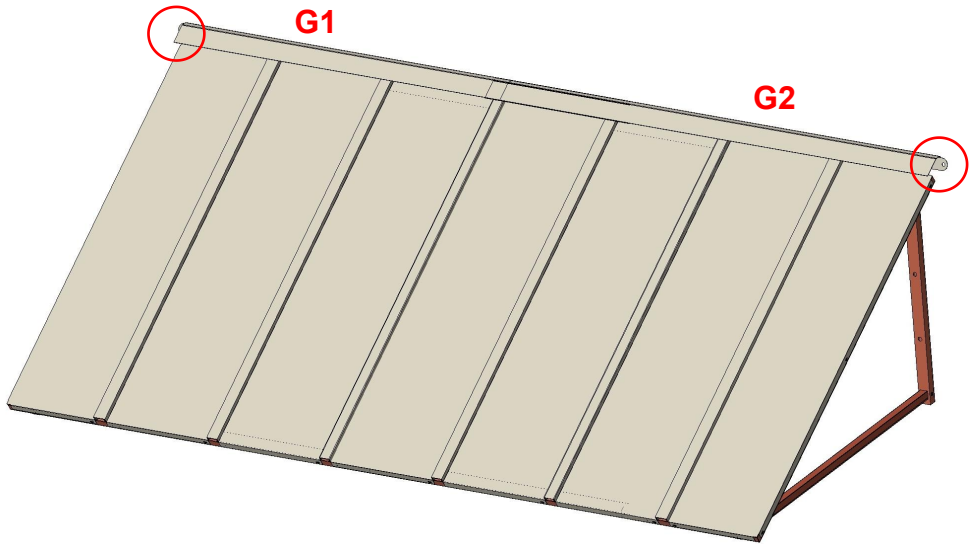
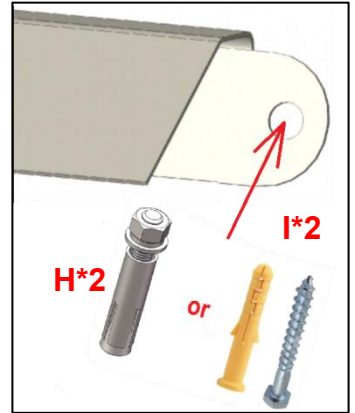
NOTE: There is a screw hole position on each metal tile at the top and on the side, and there is no need to fix them with screws.



Install the last tile F1 and fix it with screws(L*5).

8

Fix the metal plates.



Fix the metal plates G1 and G2 with screws(H or I).

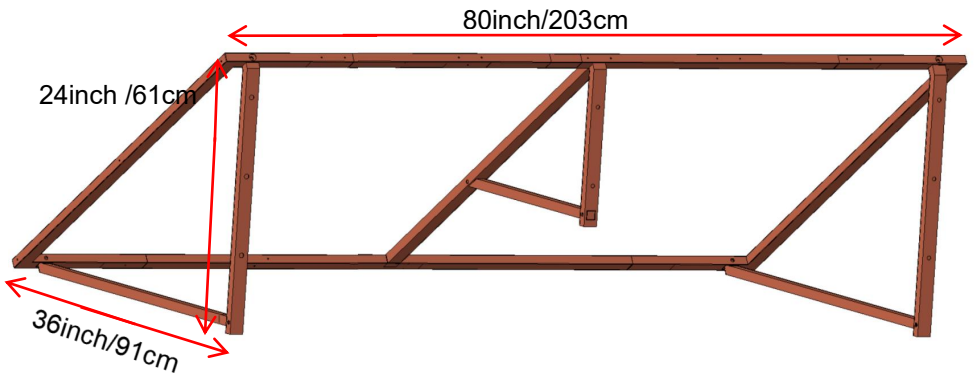
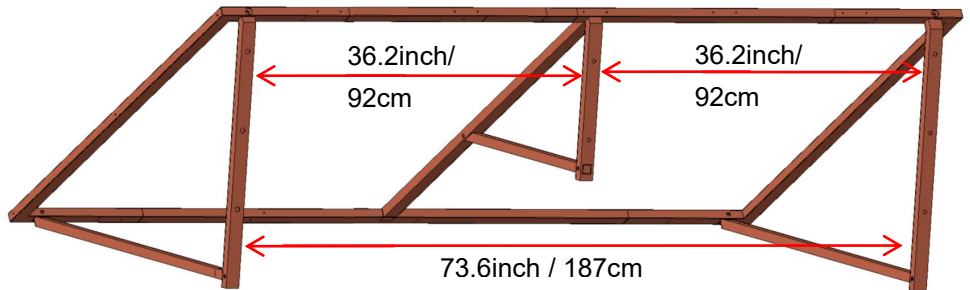
Plan 1(**Suitable for hard walls**): Install with expansion screws(H*2), using a drill bit with a diameter of $\varnothing 12\text{mm}$.

Plan 2(**Suitable for wooden walls**): Install with wall nails(I*2), using a drill bit with a diameter of $\varnothing 6\text{mm}$.

Metal plates (G1 G2): The height of the awning does not take the Metal plates into consideration. The metal plates can be mounted at any distance above the solid frame of the awning.

PRODUCT PARAMETER

Model	CGW-80INCH
Material	Iron
Colour	Black
Shading area	80*36inch(203*91cm)
Maximum suitable width for doors/windows	65.75inch/167cm



Snow Loads

The aluminum door canopies are manufactured from the highest - quality components available on the market today. They are designed to withstand normal weather conditions, including rain, sleet, snow, and wind. However, they are not designed to endure winds exceeding 30 miles per hour, snow loads of more than 12 inches of heavy, wet snow, or 24 inches of light snow. Additionally, they cannot withstand the impact force of snow and ice falling from an upper roof or piling up. This product will deliver excellent performance as long as it is installed correctly and used within its designed load - bearing limits.

Please remove snow promptly during use.

Manufacturer:Shanghaimuxinmuyeyouxiangongsi

Address:Shuangchenglu803nong11hao1602A-1609shi,baoshanqu,
shanghai200000CN.

ECREP:E-CrossStuGmbH.

MainzerLandstr.69,60329FrankfurtamMain.

UKREP:YHCONSULTINGLIMITED.

C/OYHConsultingLimitedOffice147,CenturionHouse,LondonRoad,
Staines-upon-Thames,Surrey,TW184AX

ImportedtoAUS:SIHAOPTYLTD.

1ROKEVASTREETEASTWOODNSW2122Australia

ImportedtoUSA:SanvenTechnologyLtd.

Suite250,9166AnaheimPlace,RanchoCucamonga,CA91730



Technical Support and E-Warranty Certificate
www.vevor.com/support

VEVOR

Affordable. Reliable. Home Improvement.

METAL DOOR AWNING

USER MANUAL

MODEL:CGW-80INCH

Technical Support and E-Warranty Certificate

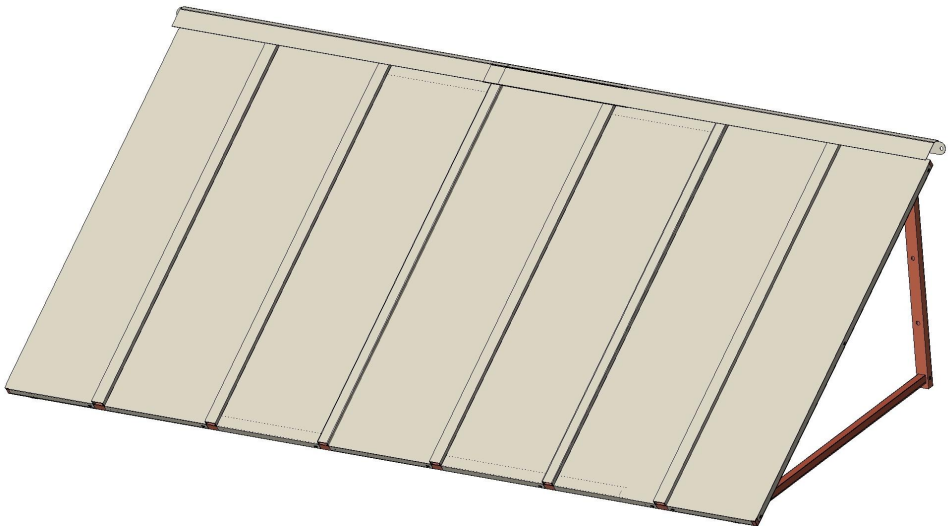
www.vevor.com/support

VEVOR

Affordable. Reliable. Home Improvement.

METAL DOOR AWNING

MODEL: CGW-80INCH



This is the original instruction, please read all manual instructions carefully before operating. VEVOR reserves a clear interpretation of our user manual. The appearance of the product shall be subject to the product you received. Please forgive us that we won't inform you again if there are any technology or software updates on our product.

SAFETY INSTRUCTIONS

WARNING:

Read this material before using this product. Failure to do so can result in serious injury.

Assembly precautions

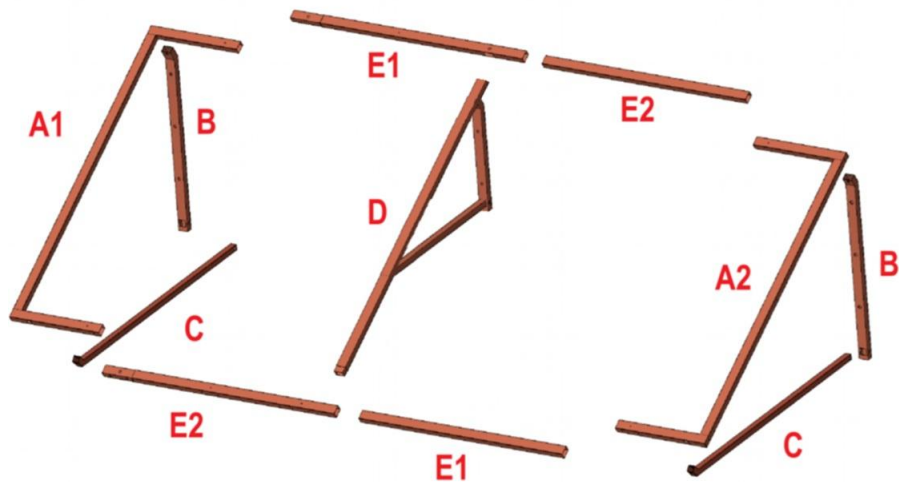
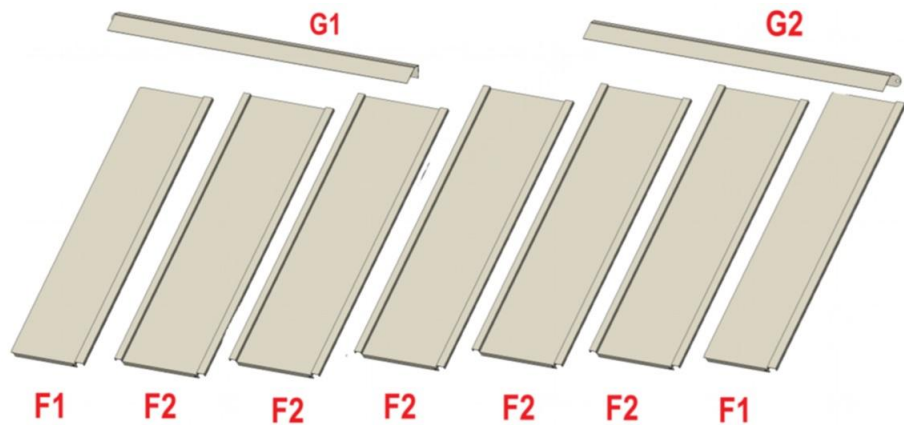
1. Assemble only according to these instructions. Improper assembly can create hazards.
2. Wear ANSI-approved safety goggles and heavy-duty work gloves during assembly.
3. Keep the assembly area clean and well-lit.
4. Keep bystanders out of the area during assembly.
5. Do not assemble if tired or when under the influence of alcohol, drugs or medication.
6. The product capabilities apply to properly and completely assembled products only.
7. Assemble on a flat, level, hard and smooth surface capable of safely supporting the Metal Door Awning.
8. For additional information regarding the parts listed in the following pages, please refer to the Assembly Diagram of this manual. Unwrap and separate all parts in a clean work area.

Use precautions

1. DO NOT SIT OR STAND ON THIS ITEM.
2. This product is not a toy. Do not allow children to play with or near this item.
3. Do not exceed specified weight capacities.
4. Use only on a flat, level, hard, and smooth surface that can safely support a fully loaded Metal Door Awning.
5. Use as intended only.
6. Inspect before every use; do not use if parts are loose or damaged.
7. Spare parts such as screws are available.

SAVE THIS MANUAL

PARTS LIST



H*10



I*10



















J*2



K*6



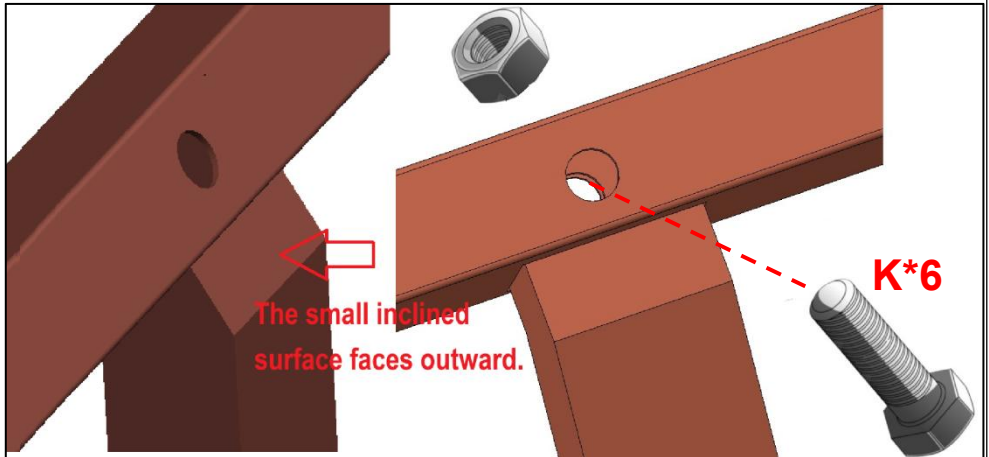
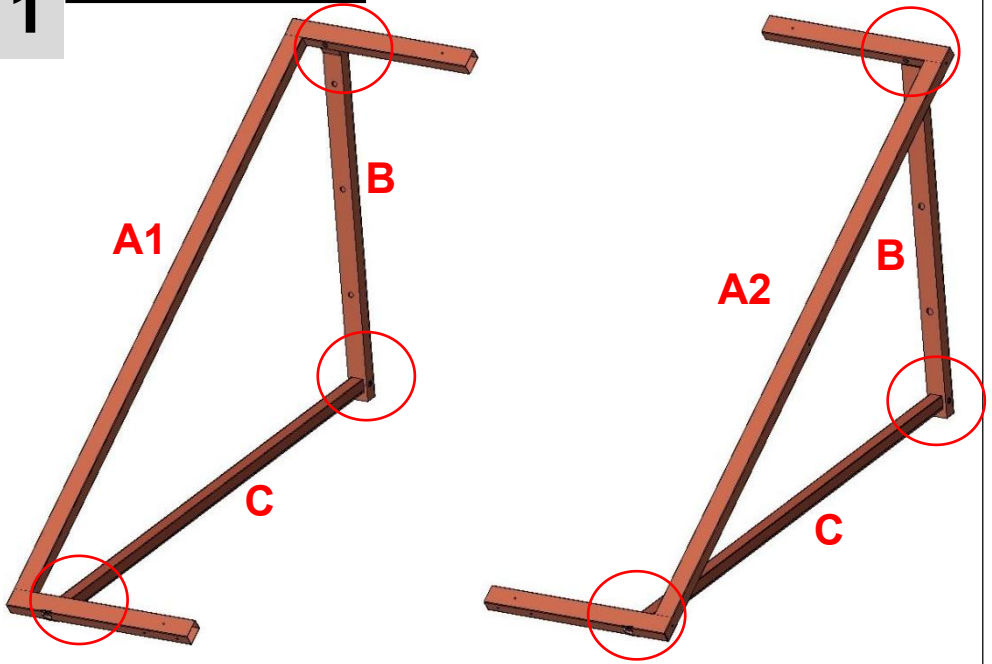
L*26

Serial number	Quantity	Part picture
A1	1	
A2	1	
B	2	
C	2	
D	1	
E1	2	
E2	2	
F1	2	
F2	5	
G1	1	
G2	1	
H	10	
I	10	
J	2	<div style="display: flex; align-items: center; justify-content: space-between;"> <div style="text-align: center;"></div> <div style="text-align: right;">Short screw M8*25mm</div> </div>
K	6	<div style="display: flex; align-items: center; justify-content: space-between;"> <div style="text-align: center;"></div> <div style="text-align: right;">Long screw M8*40mm</div> </div>
L	26	

ASSEMBLY STEP

1

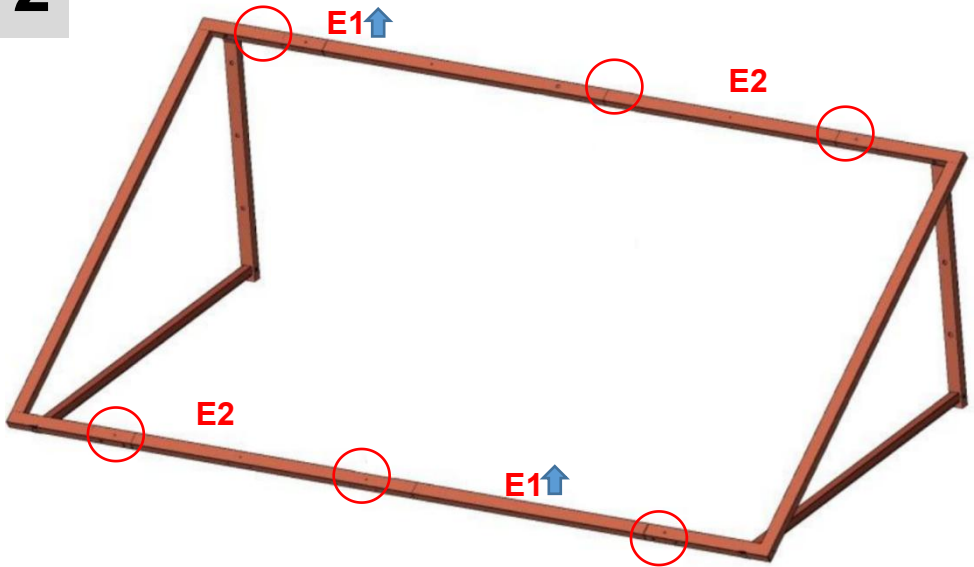
Assemble the frame.



Use screws(K*6) to assemble the support tripods on both sides.

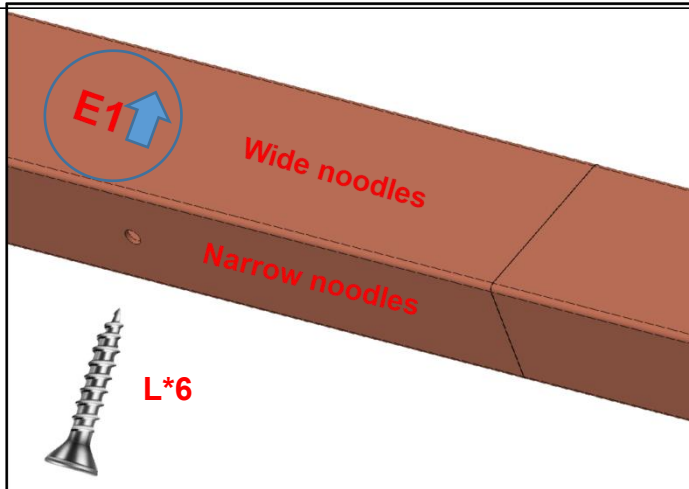
2

Assemble the frame.



Part E1 is labeled with an arrow mark.

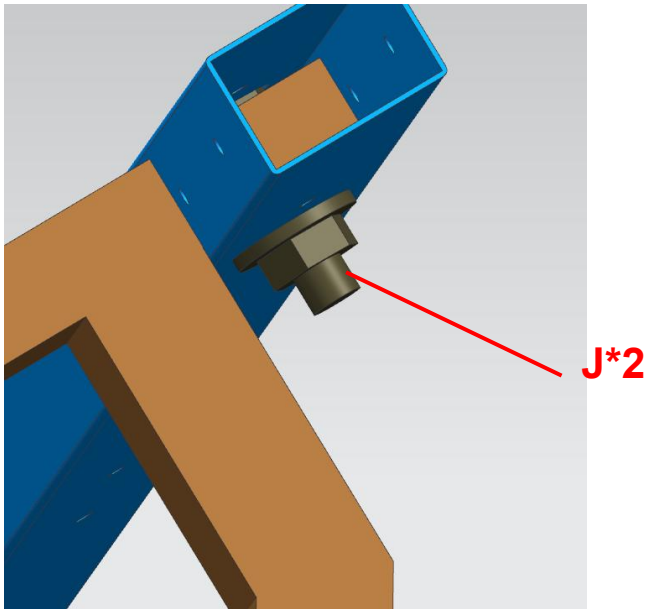
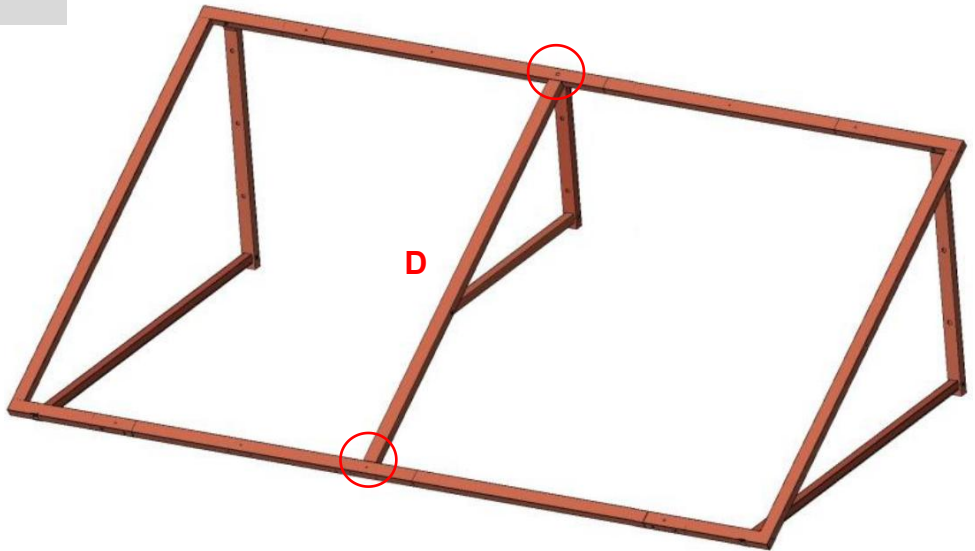
Please pay attention to distinguishing the upper and lower directions according to the arrow mark and install it as shown in the diagram.



Assemble the frame using screws(L*6).

3

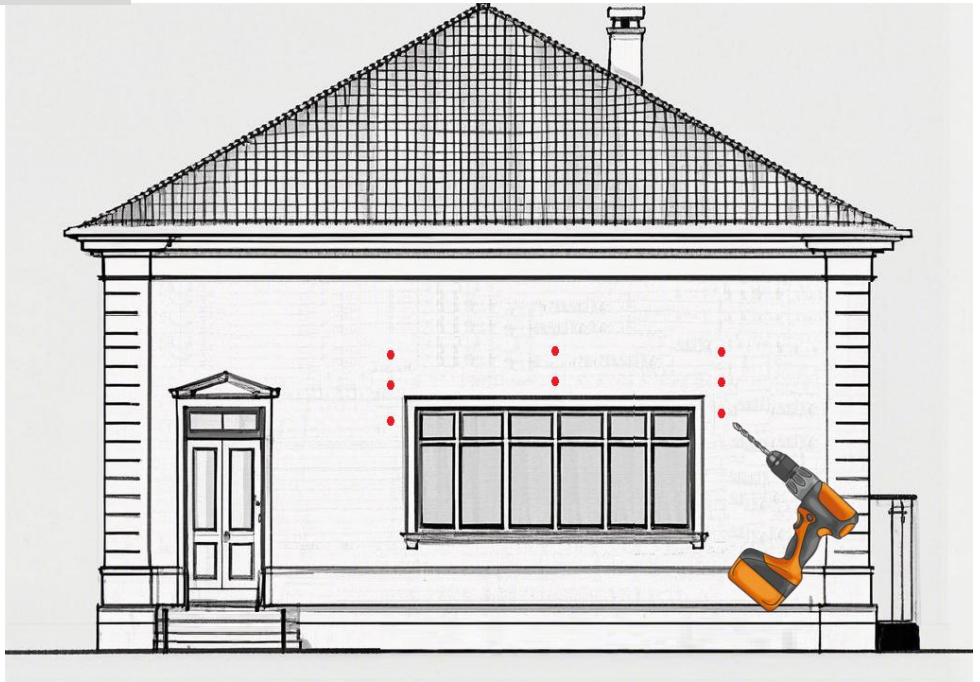
Assemble the frame.



Use screws(J*2) to assemble the middle support tripod.

4-1

Mount the frame on the wall.



Parts Required

Drill	Level	Measuring Tape	Chalk/Graphite	Step-Ladder
-------	-------	----------------	----------------	-------------

- 1.The installation drawings are on the next page.
- 2.Mark the location of the mounting holes measured onto your mounting surface using chalk/graphite. Use a level as needed.
- 3.Drill pilot holes onto the specific markers. Select the size of the drilled hole according to the following different types of walls.

Plan 1(Suitable for hard walls): Install with expansion screws(H*8), using a drill bit with a diameter of $\varnothing 12\text{mm}$.

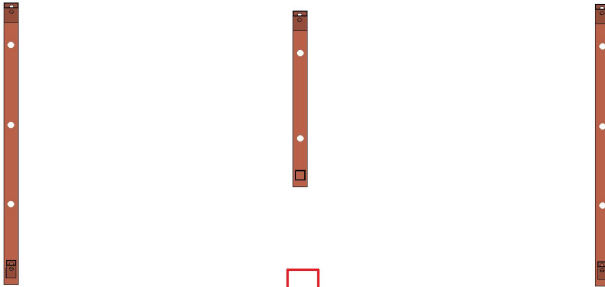
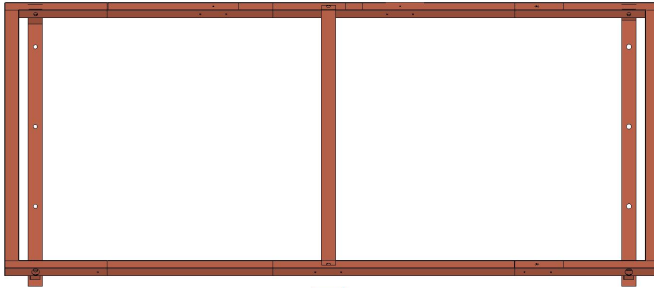
Plan 2(Suitable for wooden walls): Install with wall nails(l*8), using a drill bit with a diameter of $\varnothing 6\text{mm}$.

- 4.Fix the whole assembled frame to the wall.

Note: Check whether the frame is firmly installed on the wall to prevent it from falling off in the later stage.

4-2

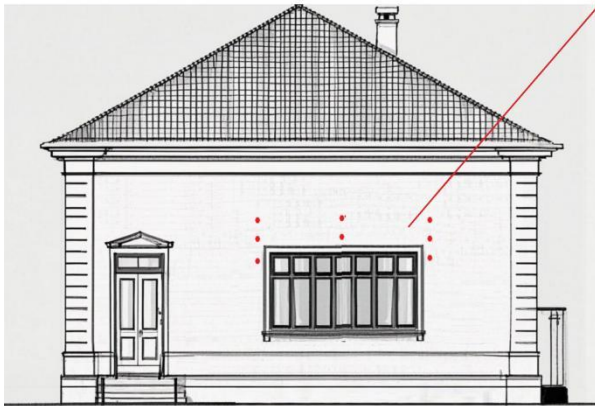
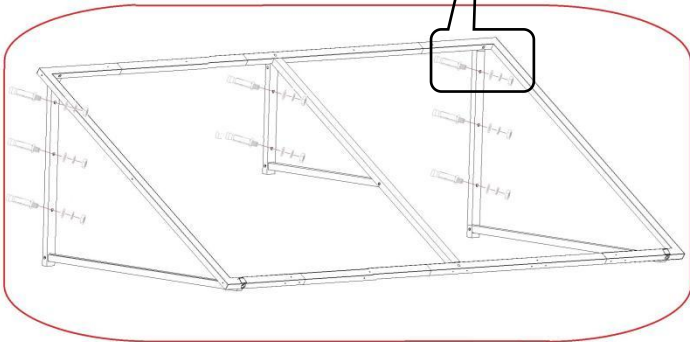
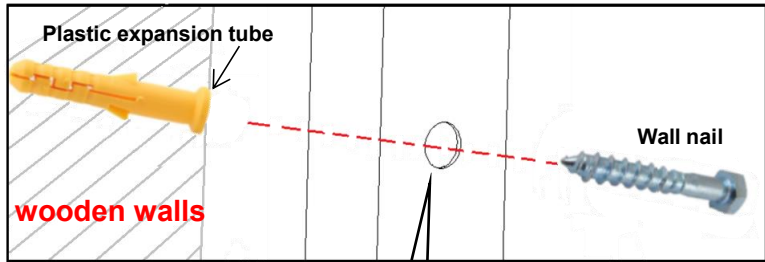
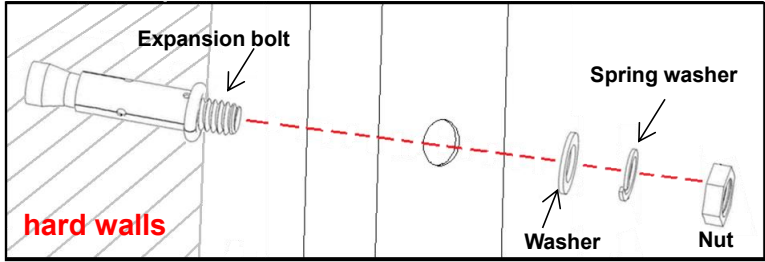
Installation drawings.



Mark 8 fixing hole positions on the wall according to the drawing, and then drill 8 holes.

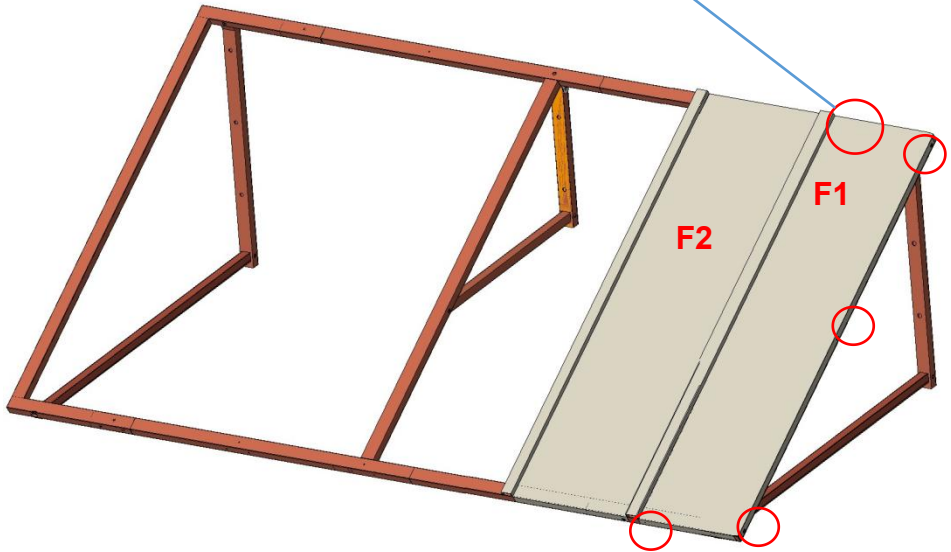
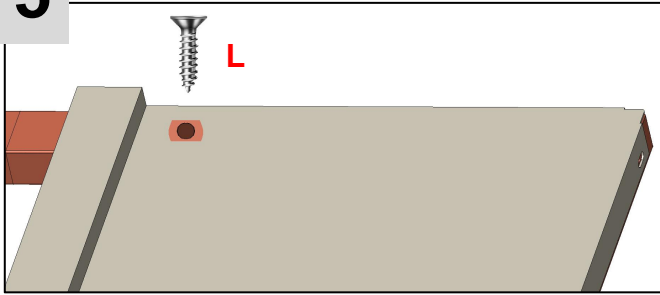
4-3

Installation drawings.

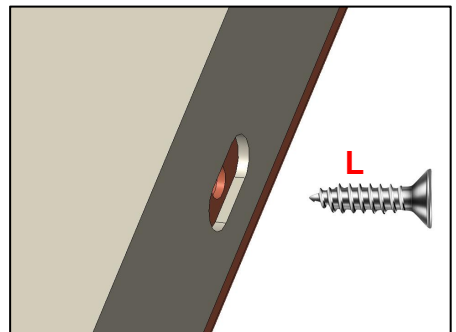


5

Installing the metal tiles.



NOTE: After the frame is installed on the wall, install the metal tiles one piece by one.

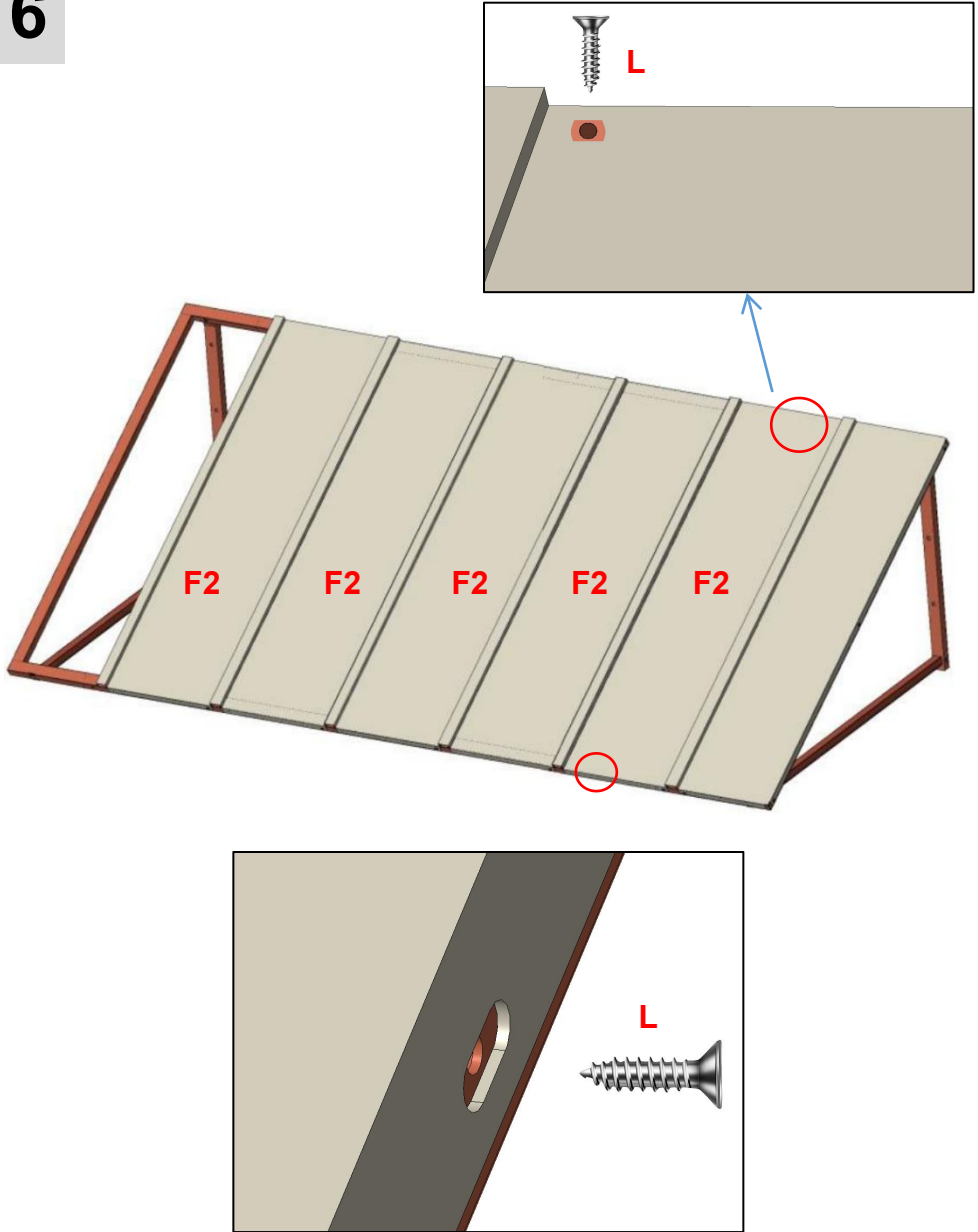


1. Fix the shelf to the wall.

2. Start installing the first metal tiles F1 and F2 from the right side of the product. Let F1 overlap F2, and then fix F1 with screws (L*5).

6

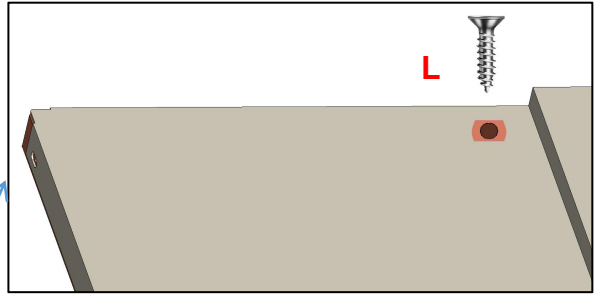
Installing the metal tiles.



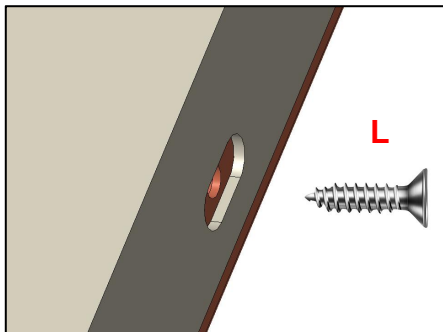
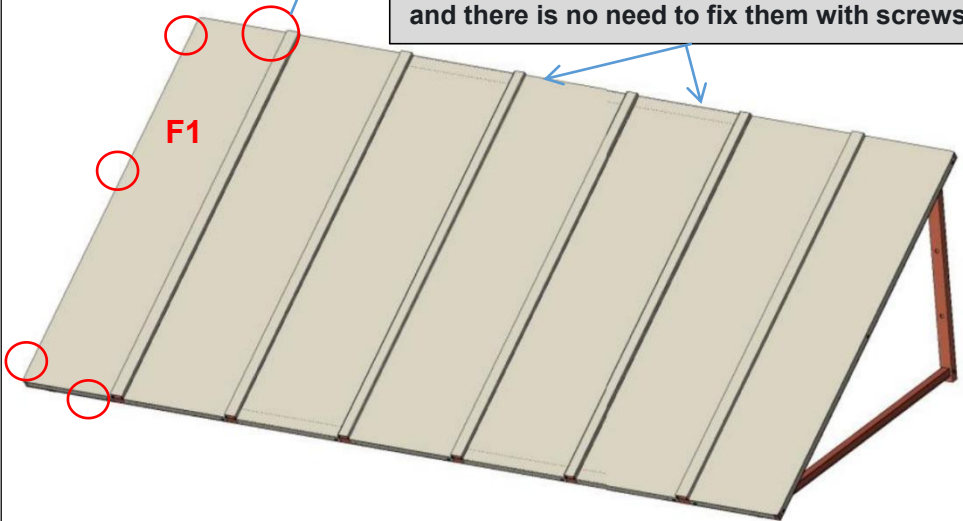
Install the metal tiles(F2) sequentially from the right side of the product and secure them with screws(L*10).

7

Installing the metal tiles.



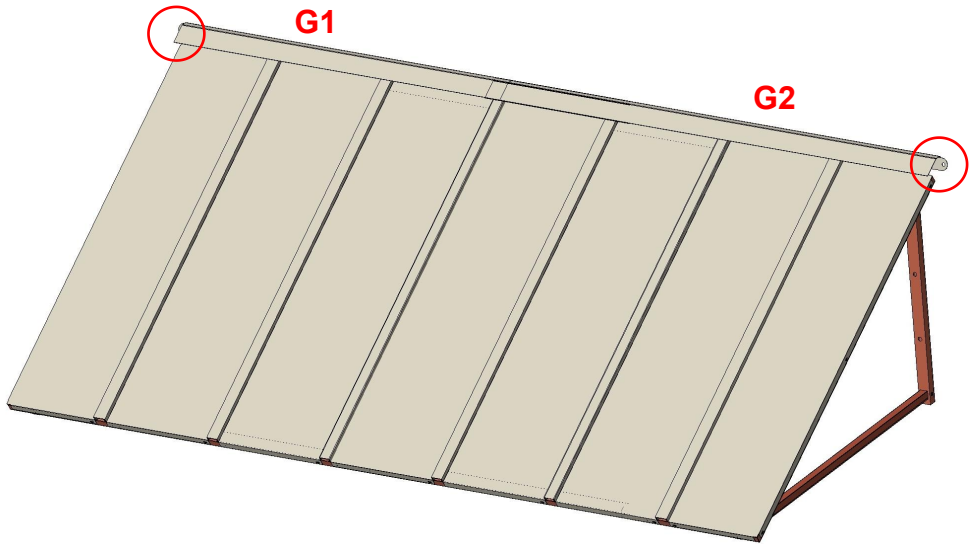
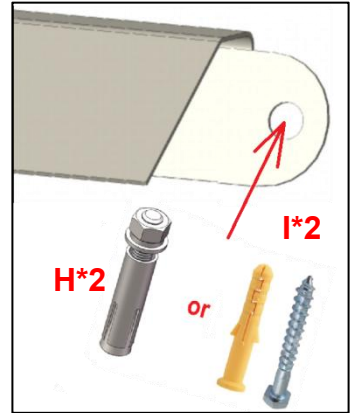
NOTE: There is a screw hole position on each metal tile at the top and on the side, and there is no need to fix them with screws.



Install the last tile F1 and fix it with screws(L*5).

8

Fix the metal plates.



Fix the metal plates G1 and G2 with screws(H or I).

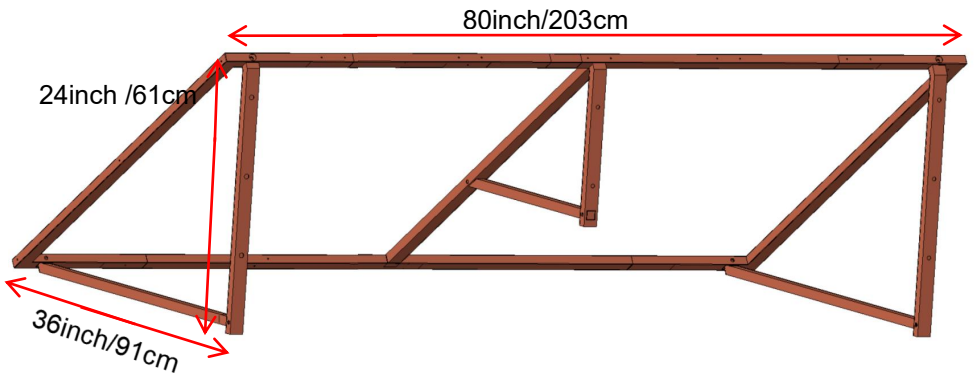
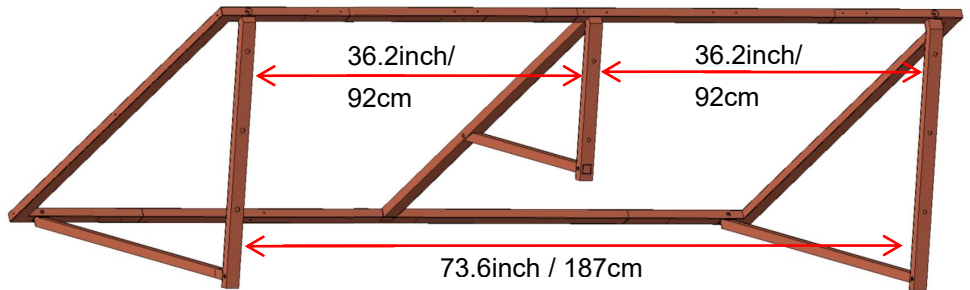
Plan 1(**Suitable for hard walls**): Install with expansion screws(H*2), using a drill bit with a diameter of $\varnothing 12\text{mm}$.

Plan 2(**Suitable for wooden walls**): Install with wall nails(I*2), using a drill bit with a diameter of $\varnothing 6\text{mm}$.

Metal plates (G1 G2): The height of the awning does not take the Metal plates into consideration. The metal plates can be mounted at any distance above the solid frame of the awning.

PRODUCT PARAMETER

Model	CGW-80INCH
Material	Iron
Colour	Black
Shading area	80*36inch(203*91cm)
Maximum suitable width for doors/windows	65.75inch/167cm



Snow Loads

The aluminum door canopies are manufactured from the highest - quality components available on the market today. They are designed to withstand normal weather conditions, including rain, sleet, snow, and wind. However, they are not designed to endure winds exceeding 30 miles per hour, snow loads of more than 12 inches of heavy, wet snow, or 24 inches of light snow. Additionally, they cannot withstand the impact force of snow and ice falling from an upper roof or piling up. This product will deliver excellent performance as long as it is installed correctly and used within its designed load - bearing limits.

Please remove snow promptly during use.

Manufacturer:Shanghaimuxinmuyeyouxiangongsi

Address:Shuangchenglu803nong11hao1602A-1609shi,baoshanqu,
shanghai200000CN.

ECREP:E-CrossStuGmbH.

MainzerLandstr.69,60329FrankfurtamMain.

UKREP:YHCONSULTINGLIMITED.

C/OYHConsultingLimitedOffice147,CenturionHouse,LondonRoad,
Staines-upon-Thames,Surrey,TW184AX

ImportedtoAUS:SIHAOPTYLTD.

1ROKEVASTREETEASTWOODNSW2122Australia

ImportedtoUSA:SanvenTechnologyLtd.

Suite250,9166AnaheimPlace,RanchoCucamonga,CA91730



Technical Support and E-Warranty Certificate
www.vevor.com/support

VEVOR

Affordable. Reliable. Home Improvement.

METAL DOOR AWNING

USER MANUAL

MODEL:CGW-80INCH

Technical Support and E-Warranty Certificate

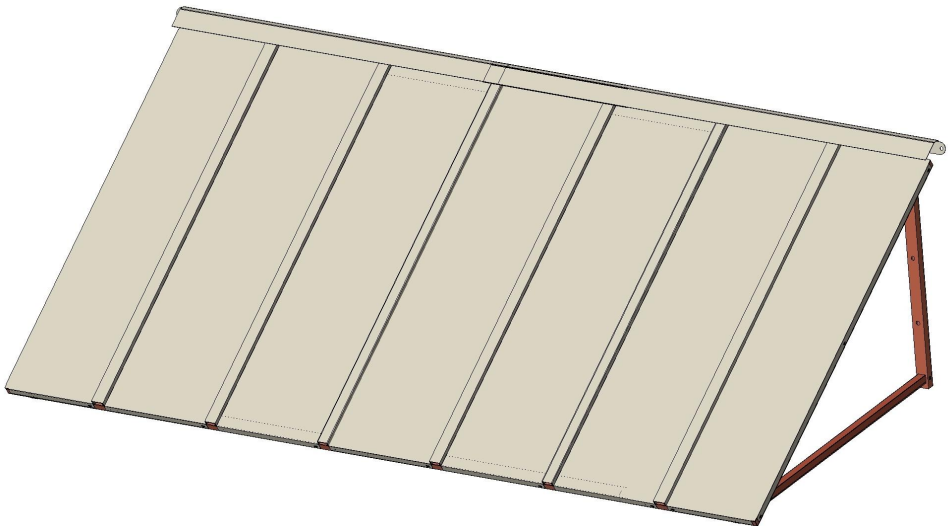
www.vevor.com/support

VEVOR

Affordable. Reliable. Home Improvement.

METAL DOOR AWNING

MODEL: CGW-80INCH



This is the original instruction, please read all manual instructions carefully before operating. VEVOR reserves a clear interpretation of our user manual. The appearance of the product shall be subject to the product you received. Please forgive us that we won't inform you again if there are any technology or software updates on our product.

SAFETY INSTRUCTIONS

WARNING:

Read this material before using this product. Failure to do so can result in serious injury.

Assembly precautions

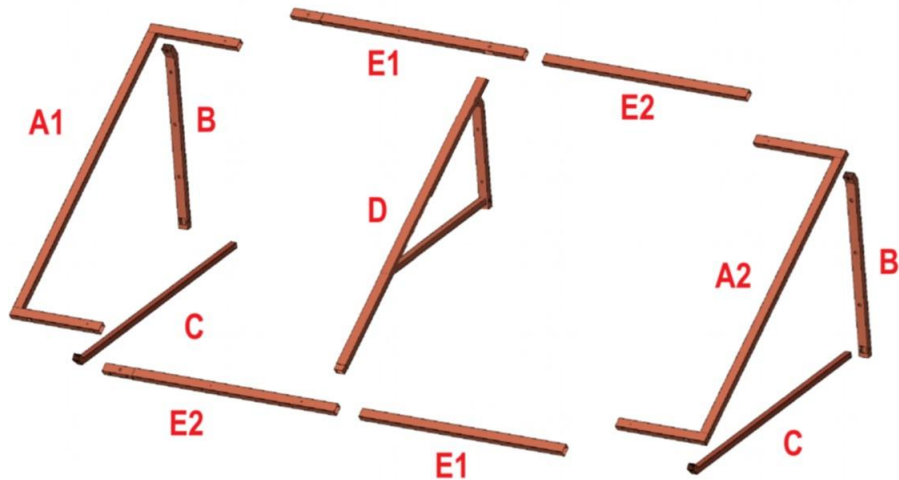
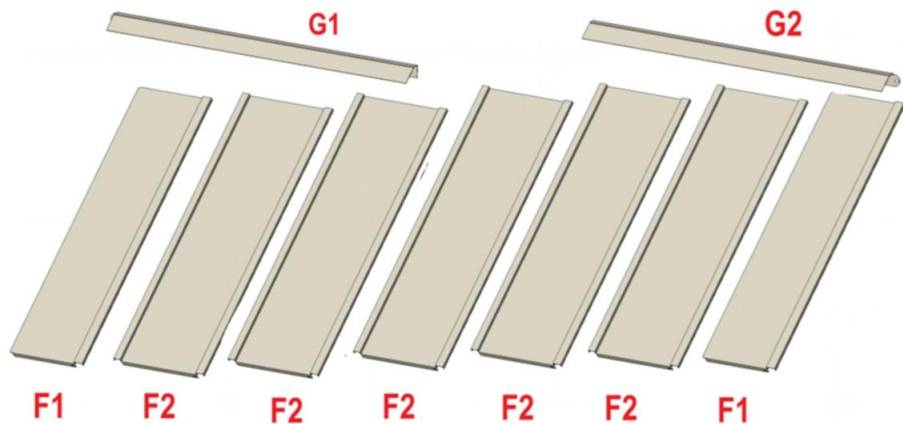
1. Assemble only according to these instructions. Improper assembly can create hazards.
2. Wear ANSI-approved safety goggles and heavy-duty work gloves during assembly.
3. Keep the assembly area clean and well-lit.
4. Keep bystanders out of the area during assembly.
5. Do not assemble if tired or when under the influence of alcohol, drugs or medication.
6. The product capabilities apply to properly and completely assembled products only.
7. Assemble on a flat, level, hard and smooth surface capable of safely supporting the Metal Door Awning.
8. For additional information regarding the parts listed in the following pages, please refer to the Assembly Diagram of this manual. Unwrap and separate all parts in a clean work area.

Use precautions

1. DO NOT SIT OR STAND ON THIS ITEM.
2. This product is not a toy. Do not allow children to play with or near this item.
3. Do not exceed specified weight capacities.
4. Use only on a flat, level, hard, and smooth surface that can safely support a fully loaded Metal Door Awning.
5. Use as intended only.
6. Inspect before every use; do not use if parts are loose or damaged.
7. Spare parts such as screws are available.

SAVE THIS MANUAL

PARTS LIST



H*10



I*10



















J*2



K*6



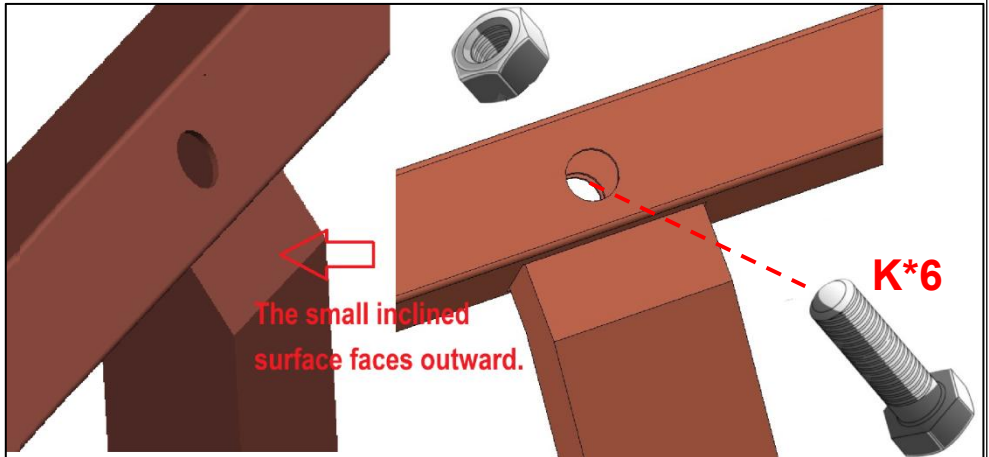
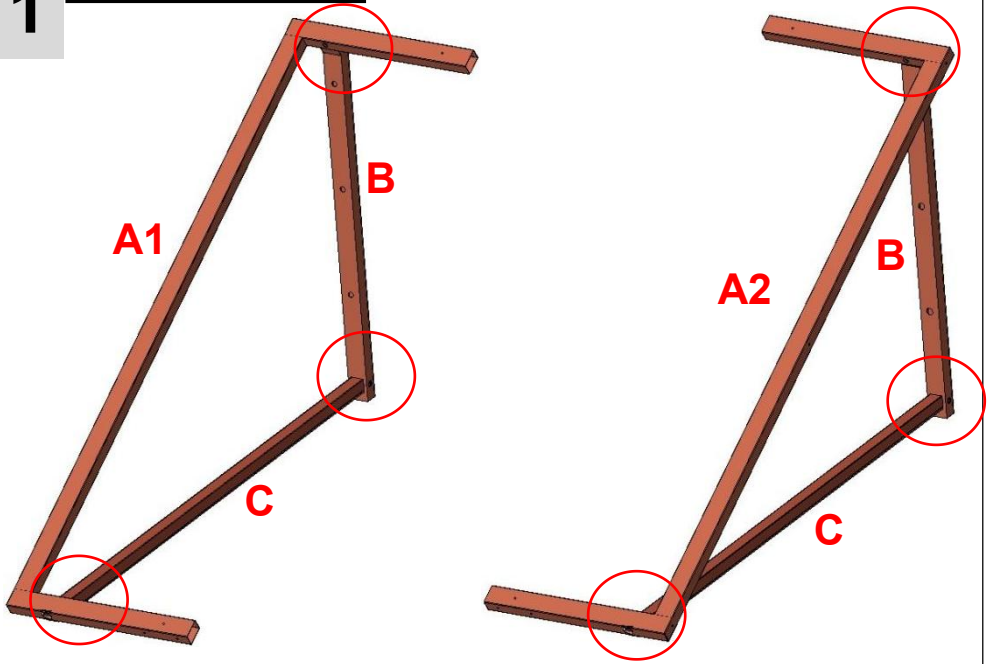
L*26

Serial number	Quantity	Part picture
A1	1	
A2	1	
B	2	
C	2	
D	1	
E1	2	
E2	2	
F1	2	
F2	5	
G1	1	
G2	1	
H	10	
I	10	
J	2	<div style="display: flex; align-items: center; justify-content: space-between;"> <div style="text-align: center;"></div> <div style="text-align: right;">Short screw M8*25mm</div> </div>
K	6	<div style="display: flex; align-items: center; justify-content: space-between;"> <div style="text-align: center;"></div> <div style="text-align: right;">Long screw M8*40mm</div> </div>
L	26	

ASSEMBLY STEP

1

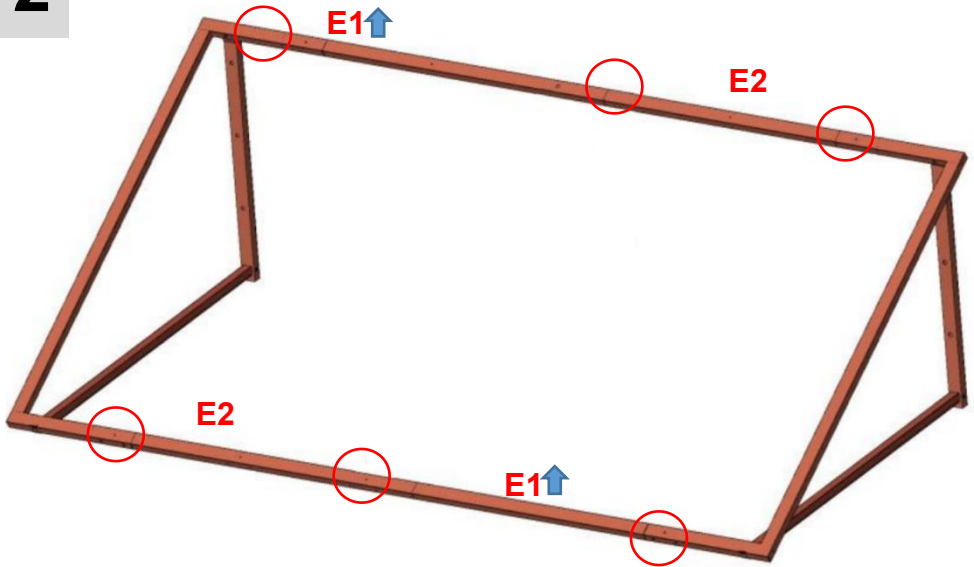
Assemble the frame.



Use screws(K*6) to assemble the support tripods on both sides.

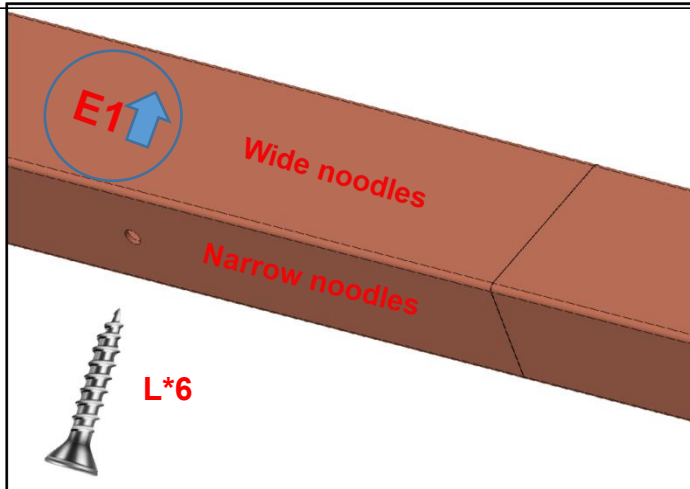
2

Assemble the frame.



Part E1 is labeled with an arrow mark.

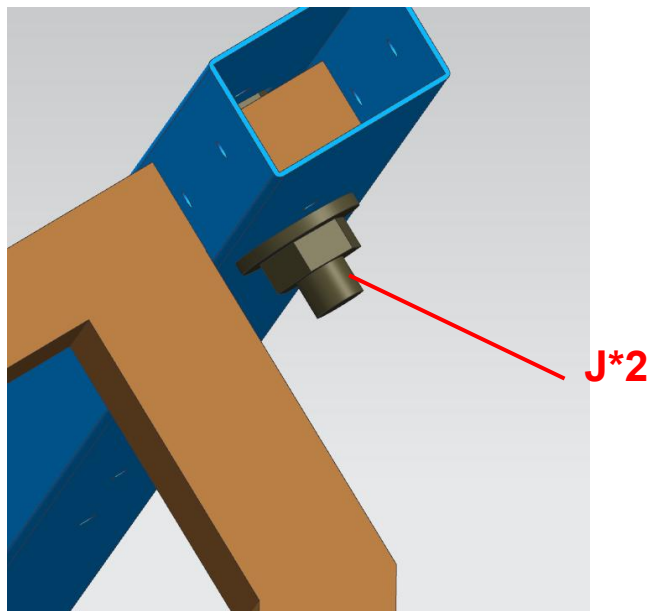
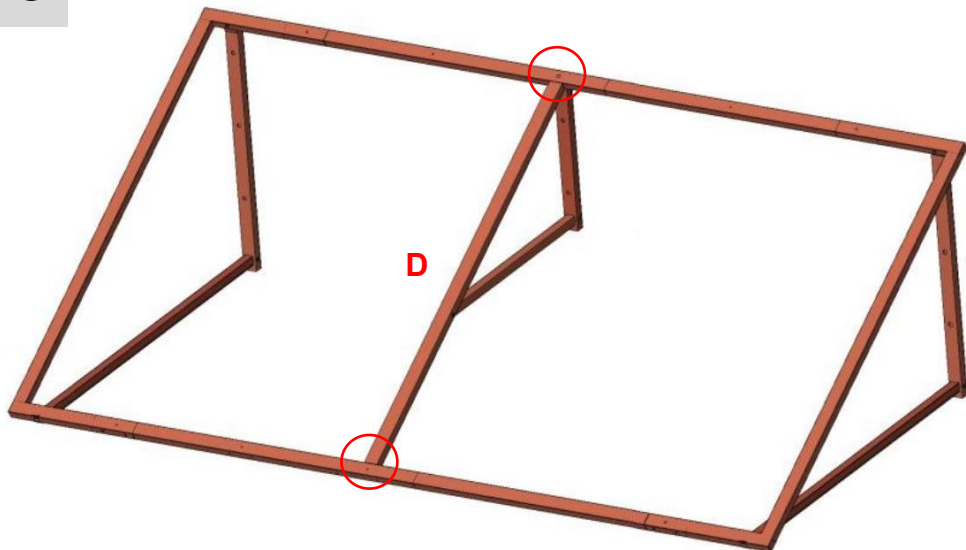
Please pay attention to distinguishing the upper and lower directions according to the arrow mark and install it as shown in the diagram.



Assemble the frame using screws(L*6).

3

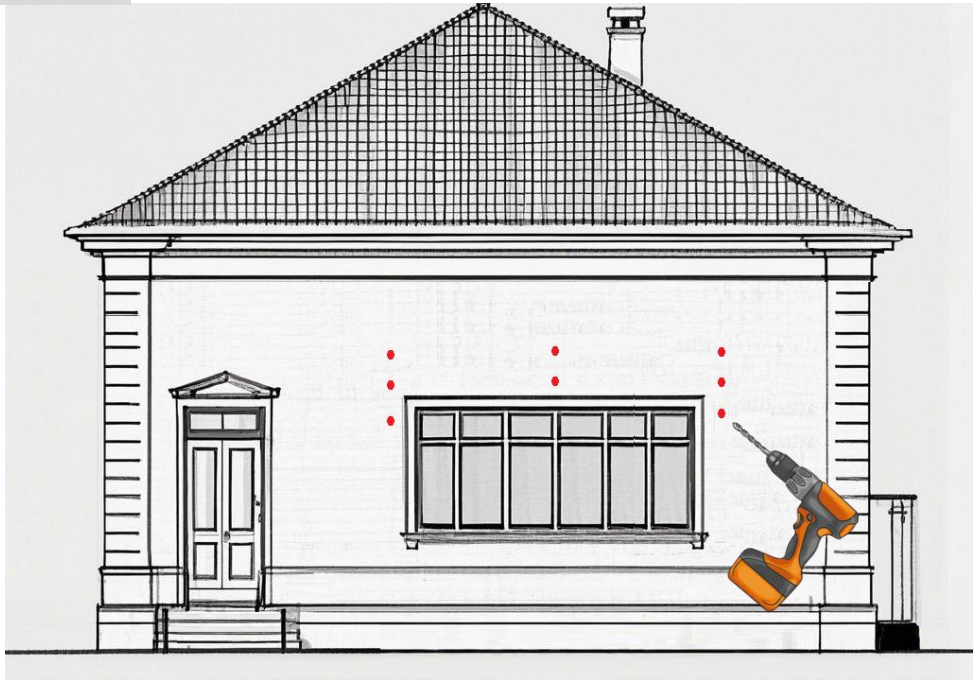
Assemble the frame.



Use screws(J*2) to assemble the middle support tripod.

4-1

Mount the frame on the wall.



Parts Required

Drill	Level	Measuring Tape	Chalk/Graphite	Step-Ladder
-------	-------	----------------	----------------	-------------

- 1.The installation drawings are on the next page.
- 2.Mark the location of the mounting holes measured onto your mounting surface using chalk/graphite. Use a level as needed.
- 3.Drill pilot holes onto the specific markers. Select the size of the drilled hole according to the following different types of walls.

Plan 1(**Suitable for hard walls**): Install with expansion screws(H*8), using a drill bit with a diameter of $\varnothing 12\text{mm}$.

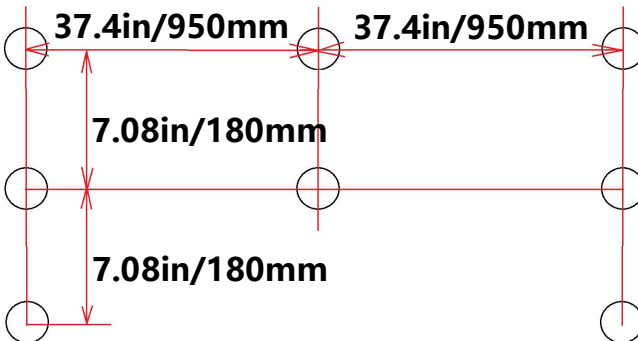
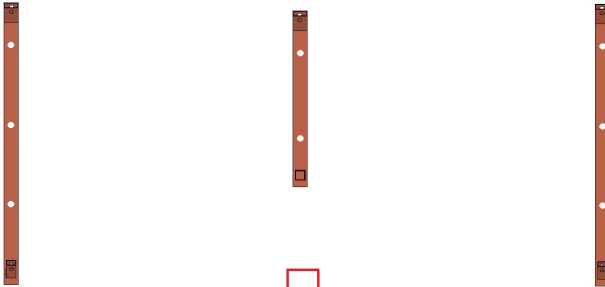
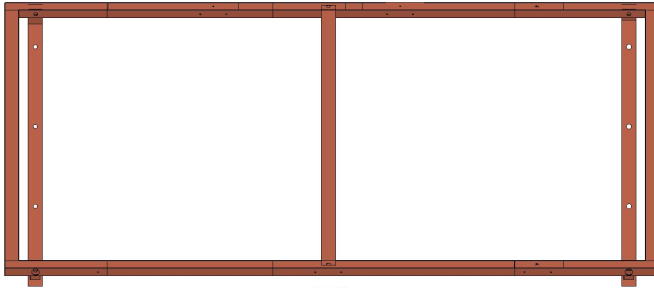
Plan 2(**Suitable for wooden walls**): Install with wall nails(l*8), using a drill bit with a diameter of $\varnothing 6\text{mm}$.

- 4.Fix the whole assembled frame to the wall.

Note: Check whether the frame is firmly installed on the wall to prevent it from falling off in the later stage.

4-2

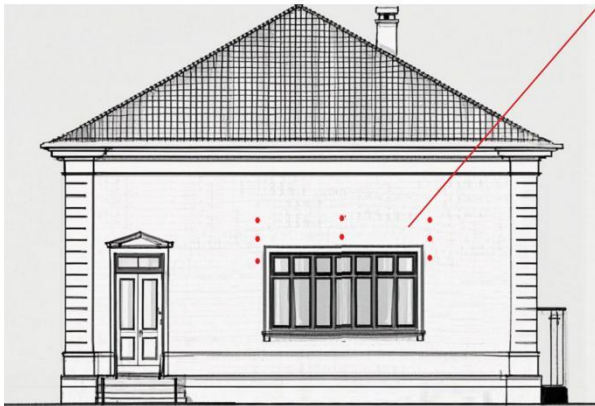
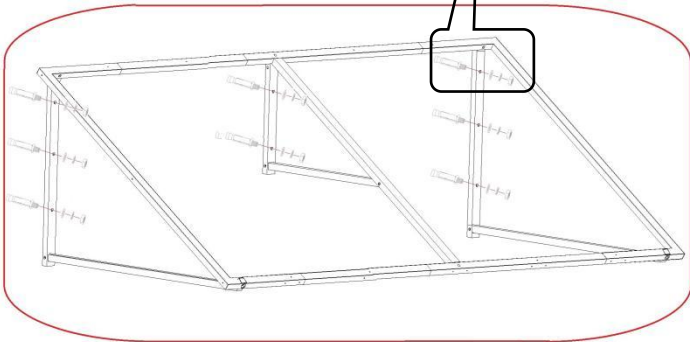
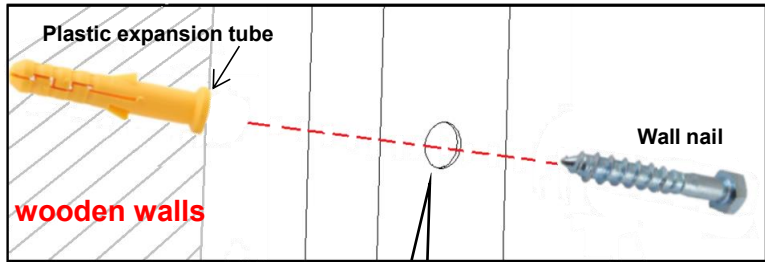
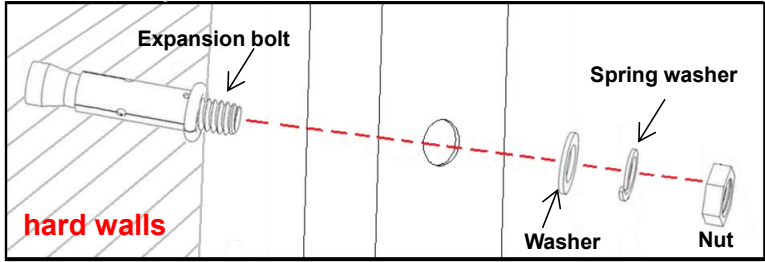
Installation drawings.



Mark 8 fixing hole positions on the wall according to the drawing, and then drill 8 holes.

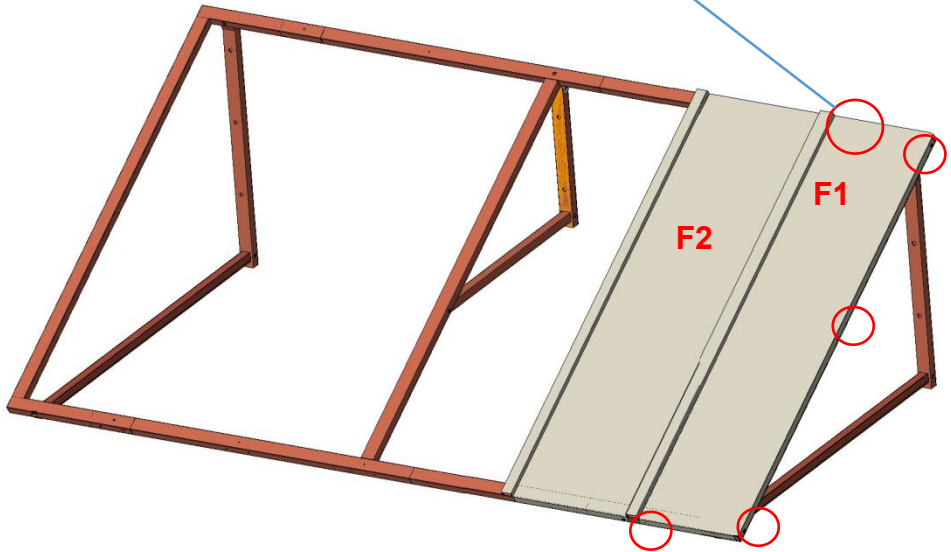
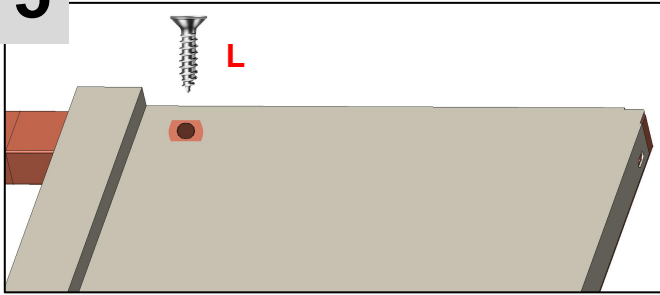
4-3

Installation drawings.

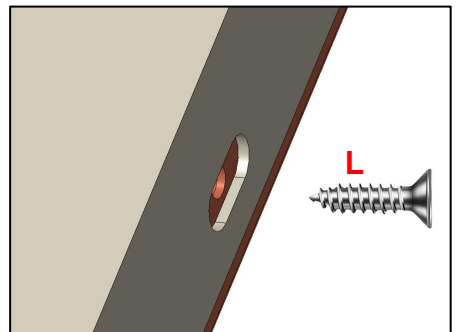


5

Installing the metal tiles.



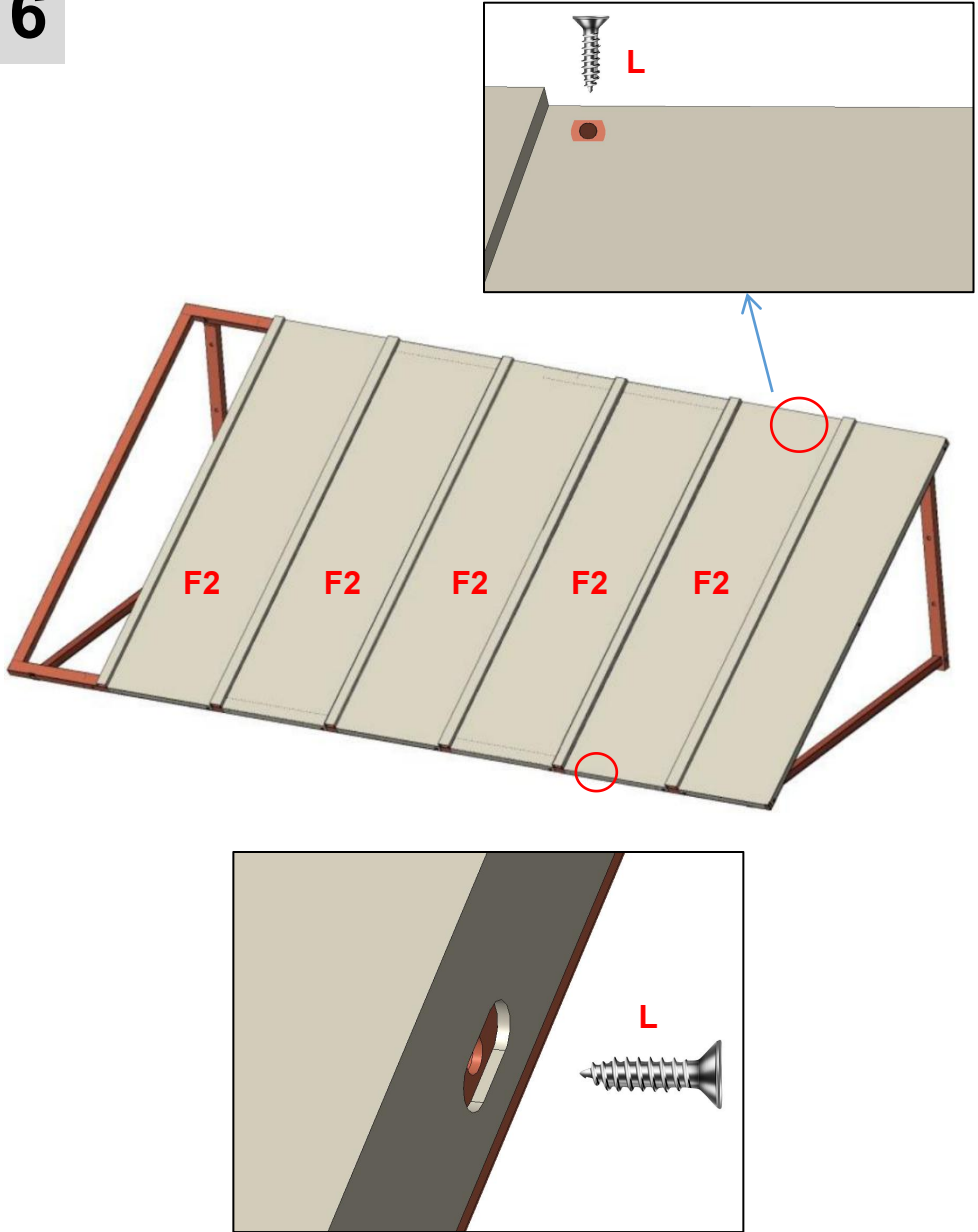
NOTE: After the frame is installed on the wall, install the metal tiles one piece by one.



- 1. Fix the shelf to the wall.**
- 2. Start installing the first metal tiles F1 and F2 from the right side of the product. Let F1 overlap F2, and then fix F1 with screws (L*5).**

6

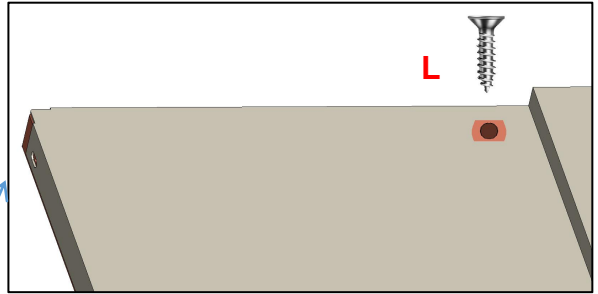
Installing the metal tiles.



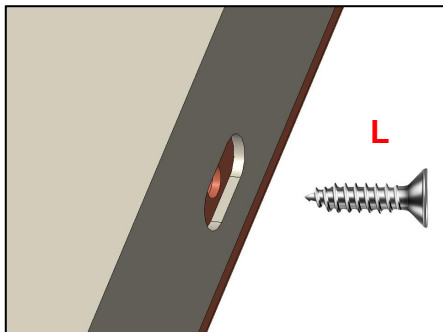
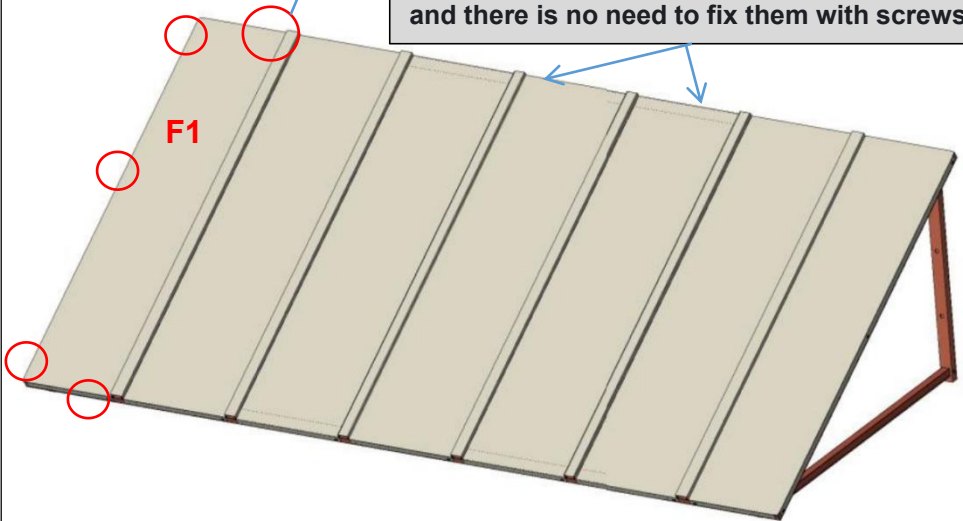
Install the metal tiles(F2) sequentially from the right side of the product and secure them with screws(L*10).

7

Installing the metal tiles.



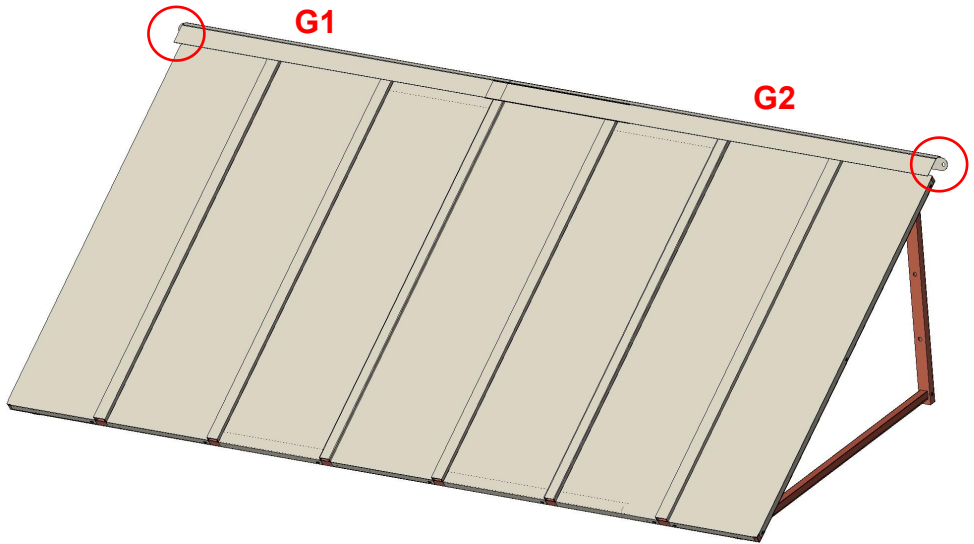
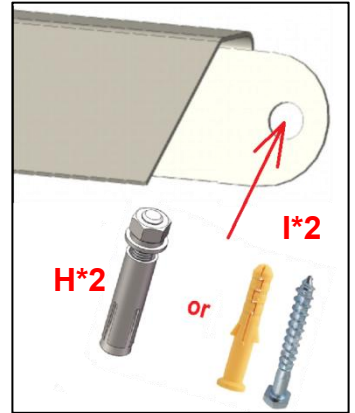
NOTE: There is a screw hole position on each metal tile at the top and on the side, and there is no need to fix them with screws.



Install the last tile F1 and fix it with screws(L*5).

8

Fix the metal plates.



Fix the metal plates G1 and G2 with screws(H or I).

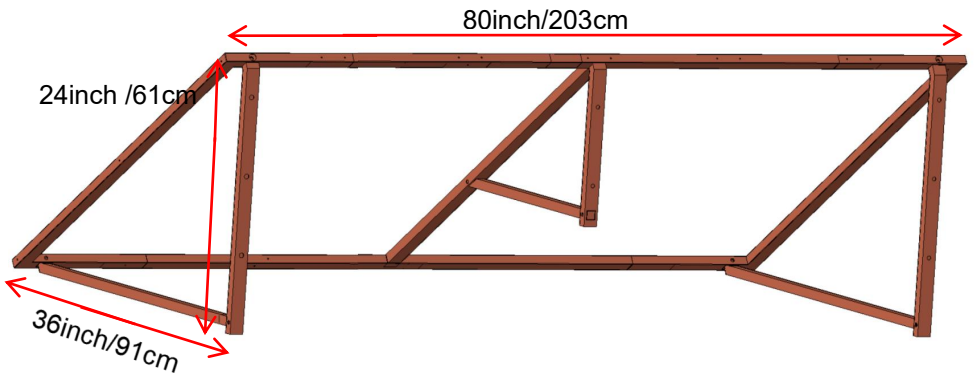
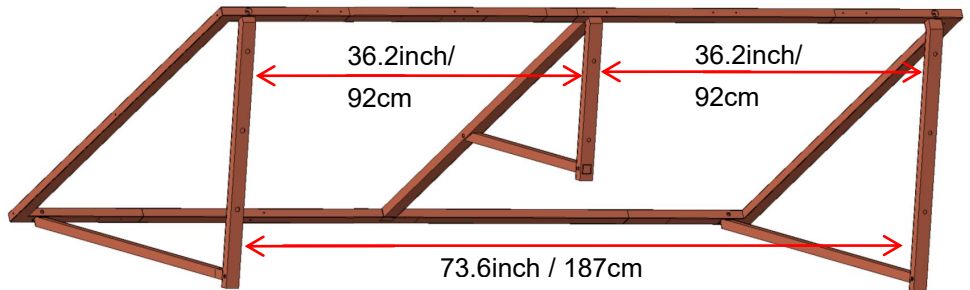
Plan 1(**Suitable for hard walls**): Install with expansion screws(H*2), using a drill bit with a diameter of $\varnothing 12\text{mm}$.

Plan 2(**Suitable for wooden walls**): Install with wall nails(I*2), using a drill bit with a diameter of $\varnothing 6\text{mm}$.

Metal plates (G1 G2): The height of the awning does not take the Metal plates into consideration. The metal plates can be mounted at any distance above the solid frame of the awning.

PRODUCT PARAMETER

Model	CGW-80INCH
Material	Iron
Colour	Black
Shading area	80*36inch(203*91cm)
Maximum suitable width for doors/windows	65.75inch/167cm



Snow Loads

The aluminum door canopies are manufactured from the highest - quality components available on the market today. They are designed to withstand normal weather conditions, including rain, sleet, snow, and wind. However, they are not designed to endure winds exceeding 30 miles per hour, snow loads of more than 12 inches of heavy, wet snow, or 24 inches of light snow. Additionally, they cannot withstand the impact force of snow and ice falling from an upper roof or piling up. This product will deliver excellent performance as long as it is installed correctly and used within its designed load - bearing limits.

Please remove snow promptly during use.

Manufacturer:Shanghaimuxinmuyeyouxiangongsi

Address:Shuangchenglu803nong11hao1602A-1609shi,baoshanqu,
shanghai200000CN.

ECREP:E-CrossStuGmbH.

MainzerLandstr.69,60329FrankfurtamMain.

UKREP:YHCONSULTINGLIMITED.

C/OYHConsultingLimitedOffice147,CenturionHouse,LondonRoad,
Staines-upon-Thames,Surrey,TW184AX

ImportedtoAUS:SIHAOPTYLTD.

1ROKEVASTREETEASTWOODNSW2122Australia

ImportedtoUSA:SanvenTechnologyLtd.

Suite250,9166AnaheimPlace,RanchoCucamonga,CA91730



Technical Support and E-Warranty Certificate
www.vevor.com/support

VEVOR

Affordable. Reliable. Home Improvement.

METAL DOOR AWNING

USER MANUAL

MODEL:CGW-80INCH

Technical Support and E-Warranty Certificate

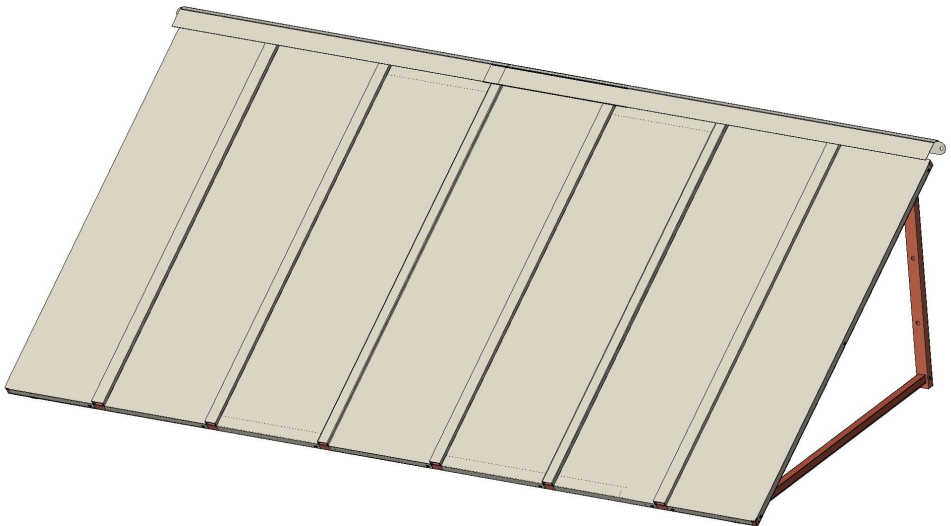
www.vevor.com/support

VEVOR

Affordable. Reliable. Home Improvement.

METAL DOOR AWNING

MODEL: CGW-80INCH



This is the original instruction, please read all manual instructions carefully before operating. VEVOR reserves a clear interpretation of our user manual. The appearance of the product shall be subject to the product you received. Please forgive us that we won't inform you again if there are any technology or software updates on our product.

SAFETY INSTRUCTIONS

WARNING:

Read this material before using this product. Failure to do so can result in serious injury.

Assembly precautions

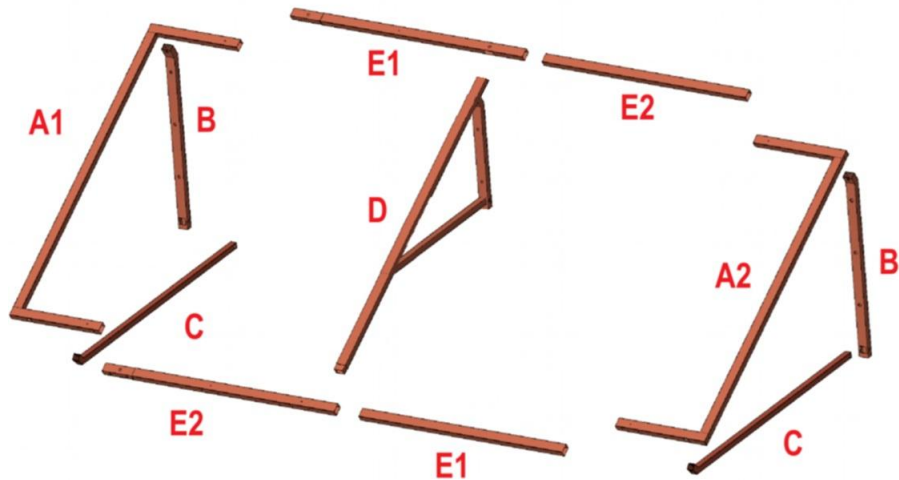
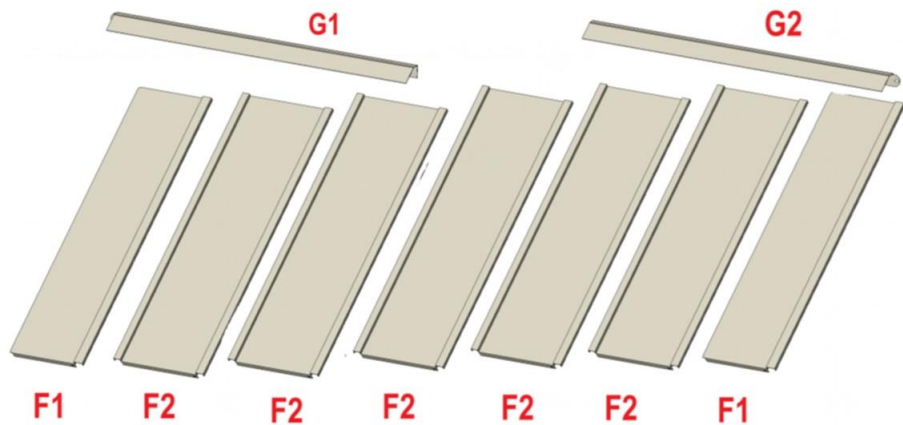
1. Assemble only according to these instructions. Improper assembly can create hazards.
2. Wear ANSI-approved safety goggles and heavy-duty work gloves during assembly.
3. Keep the assembly area clean and well-lit.
4. Keep bystanders out of the area during assembly.
5. Do not assemble if tired or when under the influence of alcohol, drugs or medication.
6. The product capabilities apply to properly and completely assembled products only.
7. Assemble on a flat, level, hard and smooth surface capable of safely supporting the Metal Door Awning.
8. For additional information regarding the parts listed in the following pages, please refer to the Assembly Diagram of this manual. Unwrap and separate all parts in a clean work area.

Use precautions

1. DO NOT SIT OR STAND ON THIS ITEM.
2. This product is not a toy. Do not allow children to play with or near this item.
3. Do not exceed specified weight capacities.
4. Use only on a flat, level, hard, and smooth surface that can safely support a fully loaded Metal Door Awning.
5. Use as intended only.
6. Inspect before every use; do not use if parts are loose or damaged.
7. Spare parts such as screws are available.

SAVE THIS MANUAL

PARTS LIST



H*10



I*10



















J*2



K*6



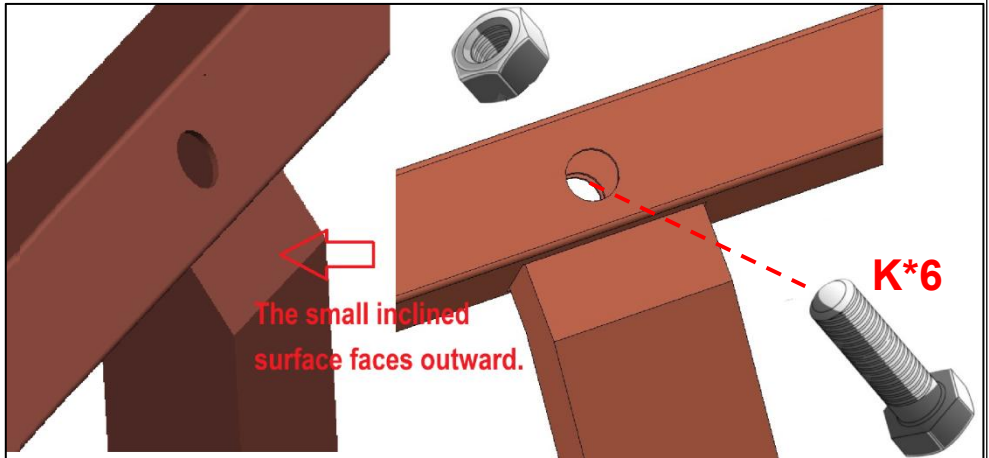
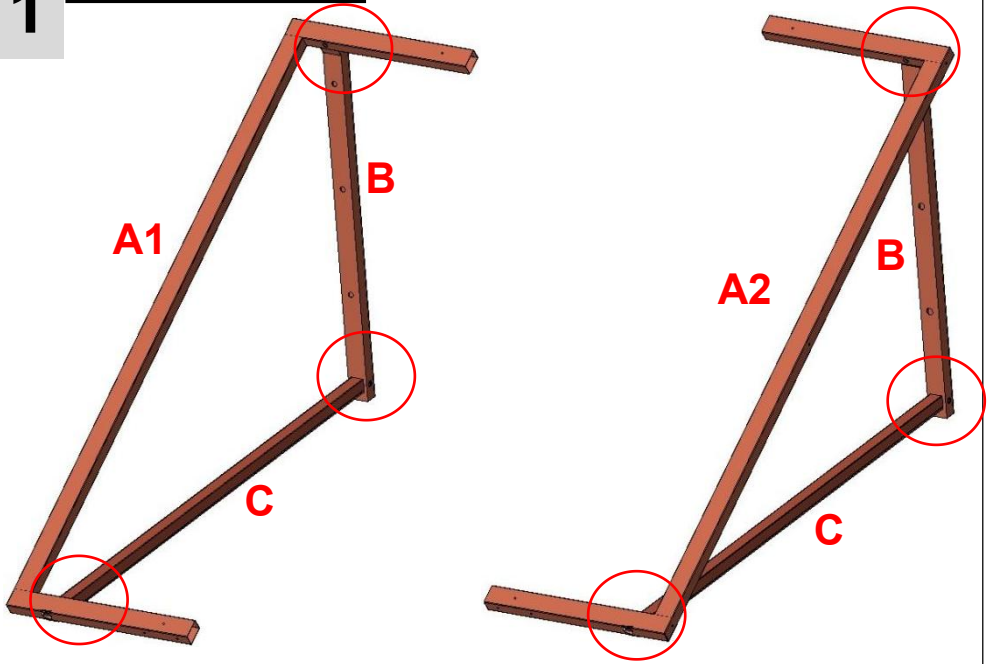
L*26

Serial number	Quantity	Part picture
A1	1	
A2	1	
B	2	
C	2	
D	1	
E1	2	
E2	2	
F1	2	
F2	5	
G1	1	
G2	1	
H	10	
I	10	
J	2	<div style="display: flex; align-items: center; justify-content: space-between;"> <div style="text-align: center;"></div> <div style="text-align: right;">Short screw M8*25mm</div> </div>
K	6	<div style="display: flex; align-items: center; justify-content: space-between;"> <div style="text-align: center;"></div> <div style="text-align: right;">Long screw M8*40mm</div> </div>
L	26	

ASSEMBLY STEP

1

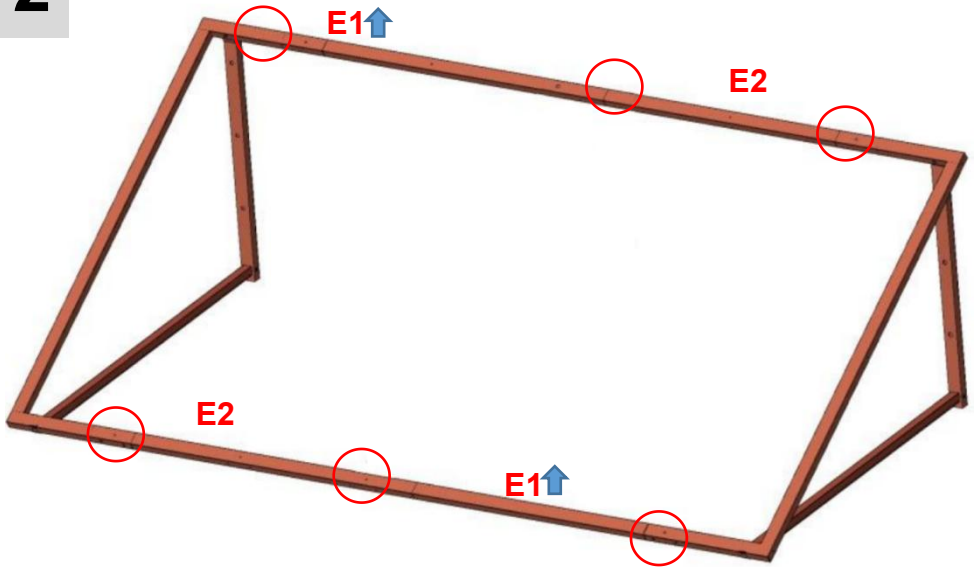
Assemble the frame.



Use screws(K*6) to assemble the support tripods on both sides.

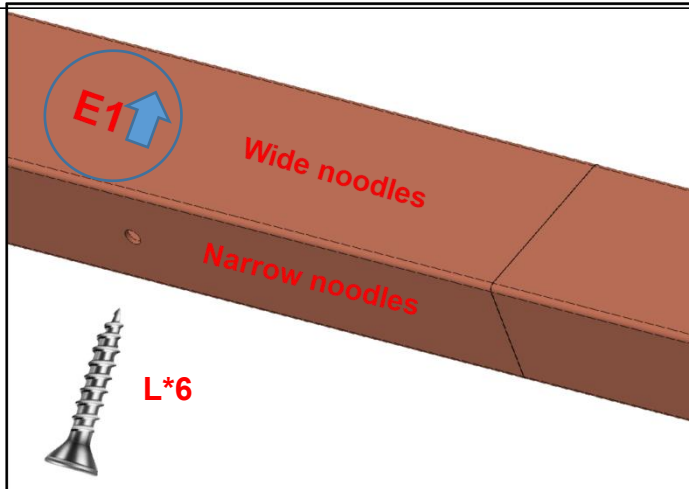
2

Assemble the frame.



Part E1 is labeled with an arrow mark.

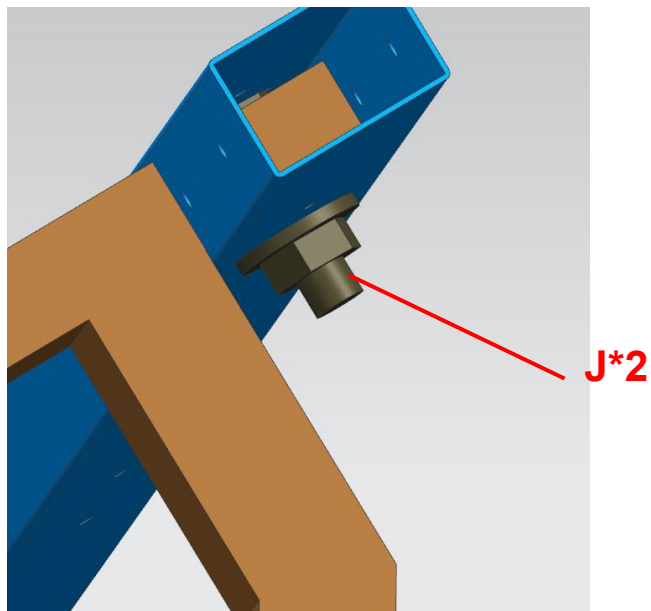
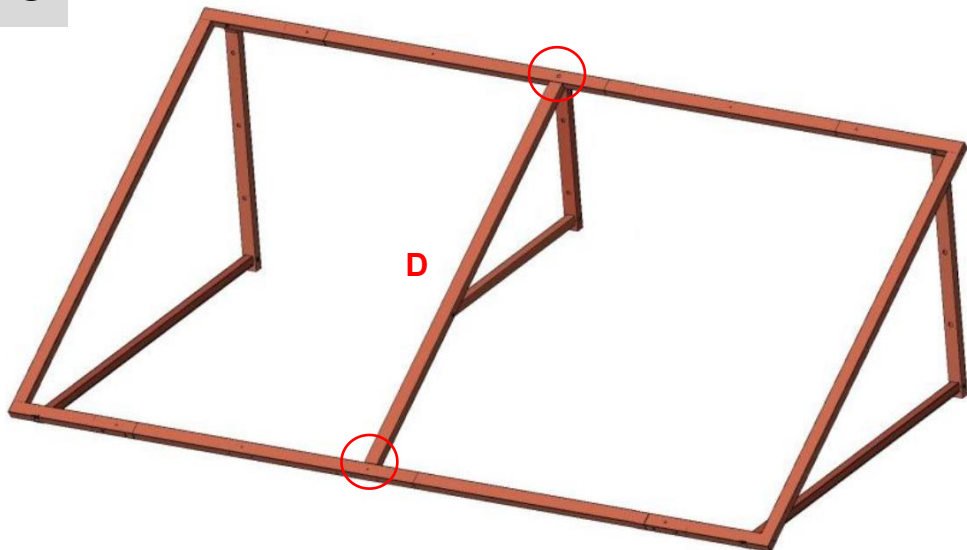
Please pay attention to distinguishing the upper and lower directions according to the arrow mark and install it as shown in the diagram.



Assemble the frame using screws(L*6).

3

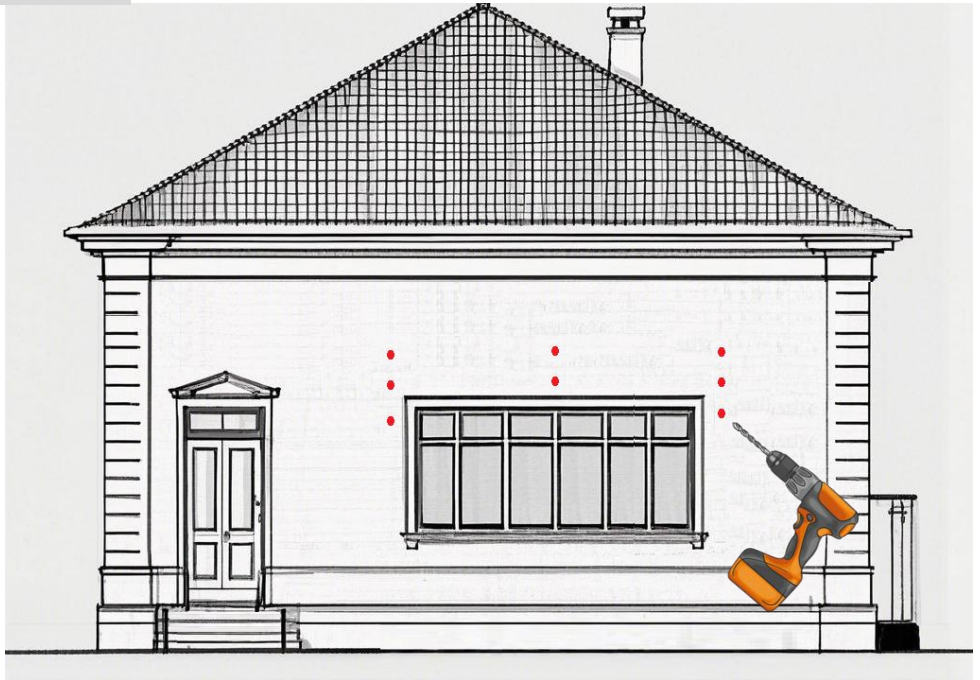
Assemble the frame.



Use screws(J*2) to assemble the middle support tripod.

4-1

Mount the frame on the wall.



Parts Required

Drill	Level	Measuring Tape	Chalk/Graphite	Step-Ladder
-------	-------	----------------	----------------	-------------

- 1.The installation drawings are on the next page.
- 2.Mark the location of the mounting holes measured onto your mounting surface using chalk/graphite. Use a level as needed.
- 3.Drill pilot holes onto the specific markers. Select the size of the drilled hole according to the following different types of walls.

Plan 1(Suitable for hard walls): Install with expansion screws(H*8), using a drill bit with a diameter of $\varnothing 12\text{mm}$.

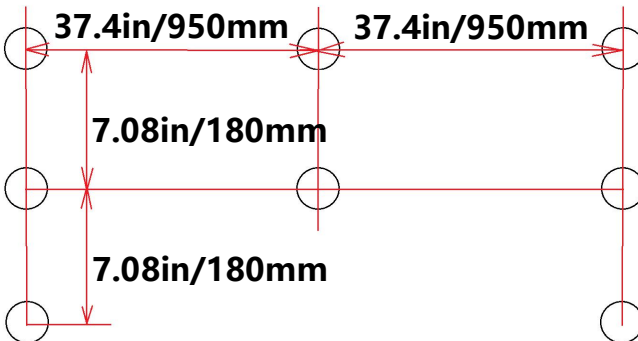
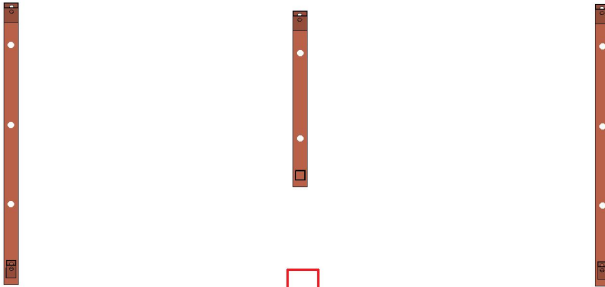
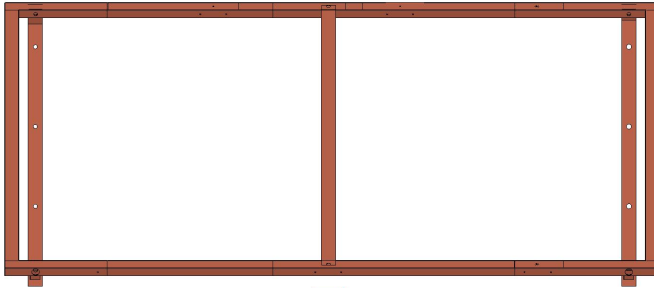
Plan 2(Suitable for wooden walls): Install with wall nails(l*8), using a drill bit with a diameter of $\varnothing 6\text{mm}$.

- 4.Fix the whole assembled frame to the wall.

Note: Check whether the frame is firmly installed on the wall to prevent it from falling off in the later stage.

4-2

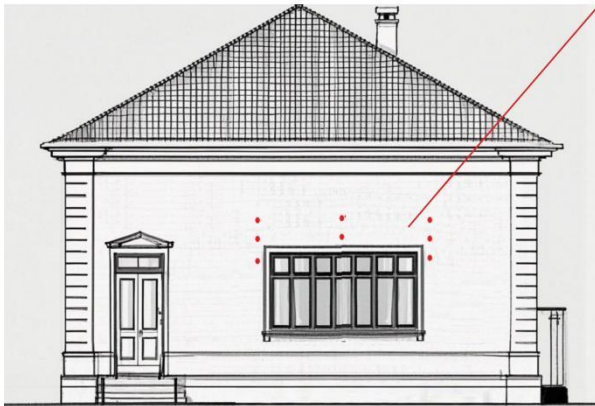
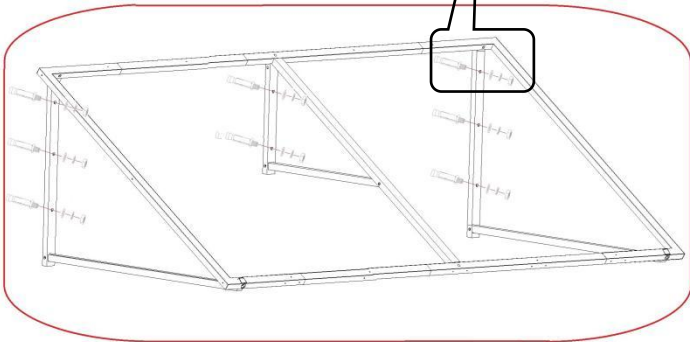
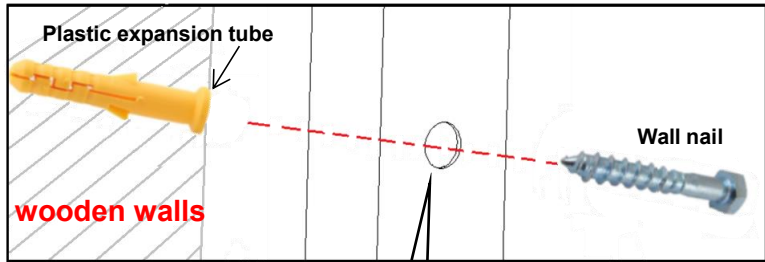
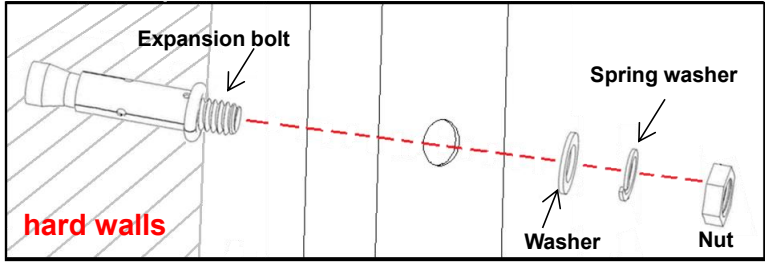
Installation drawings.



Mark 8 fixing hole positions on the wall according to the drawing, and then drill 8 holes.

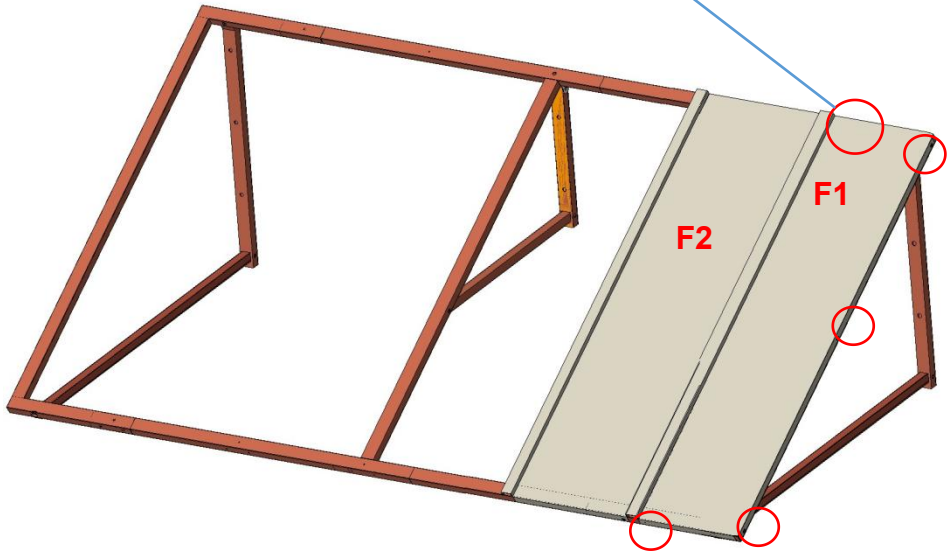
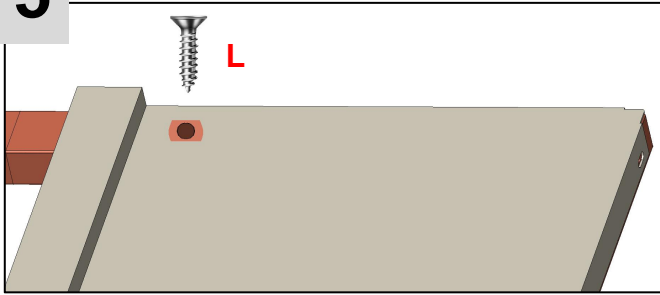
4-3

Installation drawings.

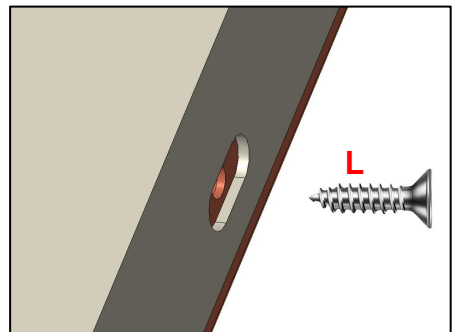


5

Installing the metal tiles.



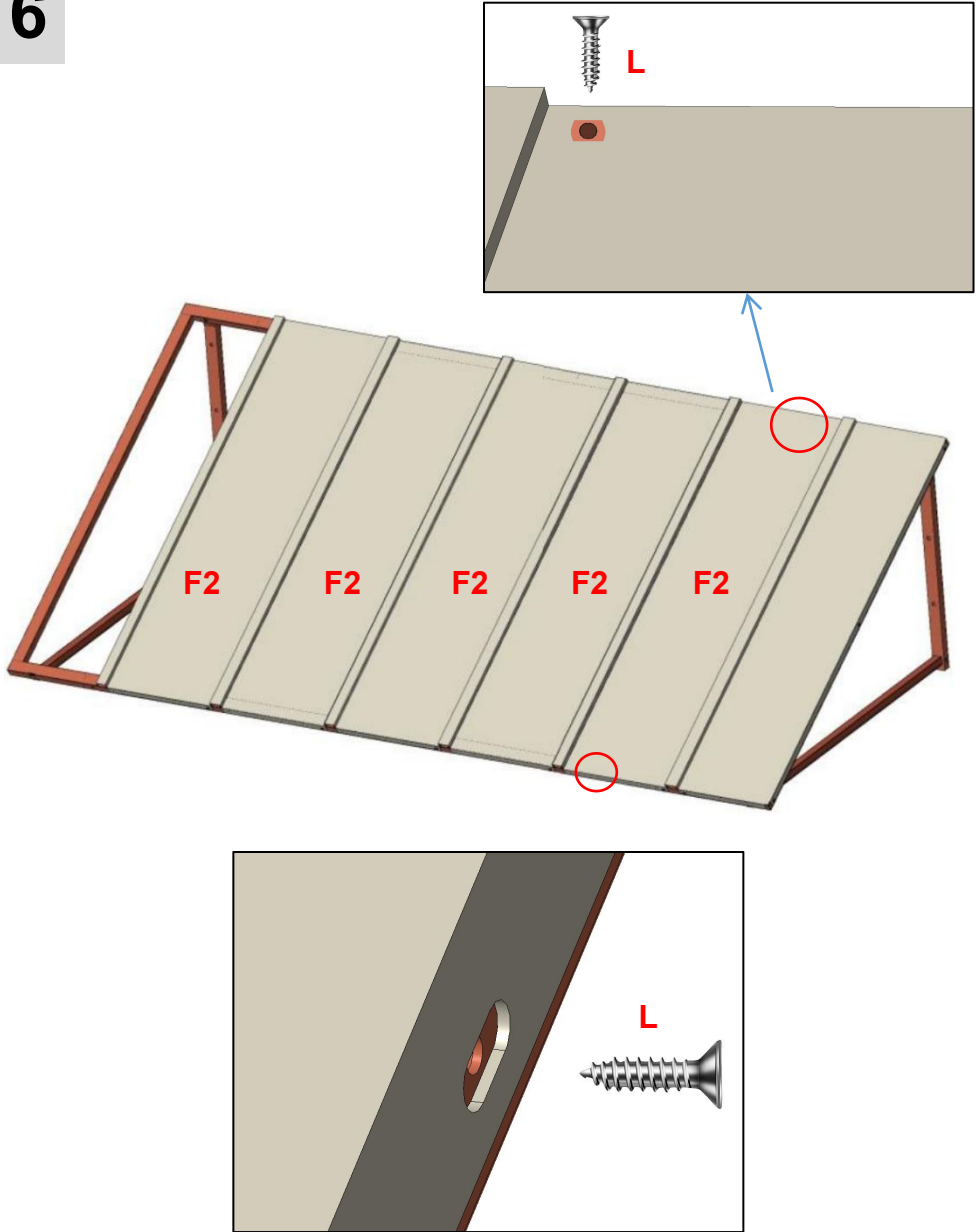
NOTE: After the frame is installed on the wall, install the metal tiles one piece by one.



- 1. Fix the shelf to the wall.**
- 2. Start installing the first metal tiles F1 and F2 from the right side of the product. Let F1 overlap F2, and then fix F1 with screws (L*5).**

6

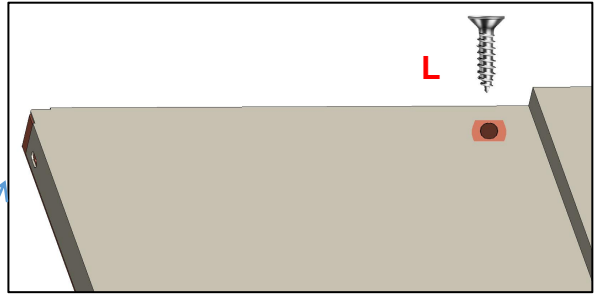
Installing the metal tiles.



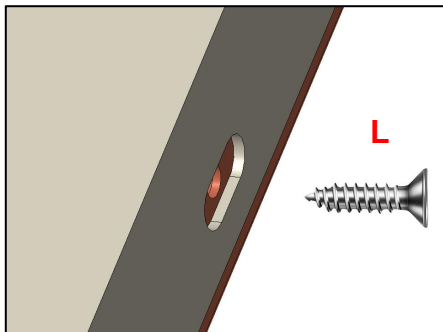
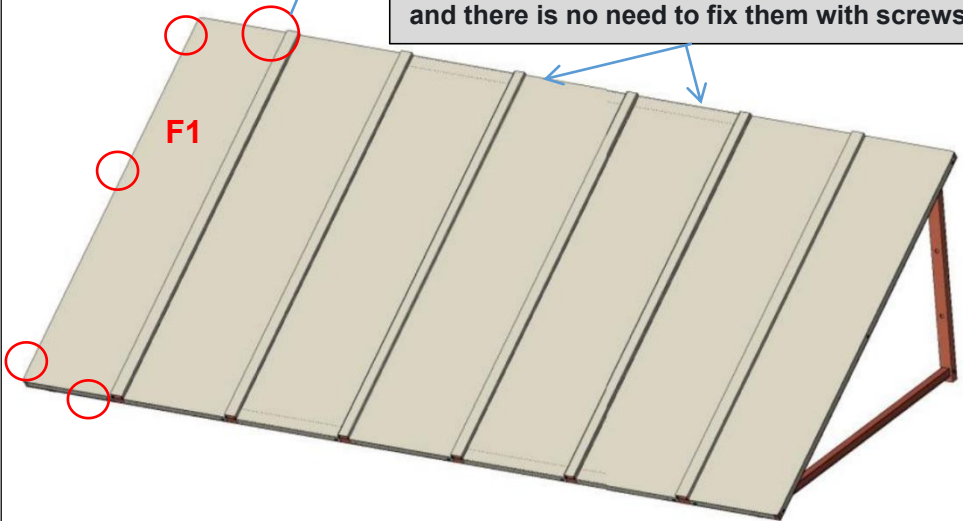
Install the metal tiles(F2) sequentially from the right side of the product and secure them with screws(L*10).

7

Installing the metal tiles.



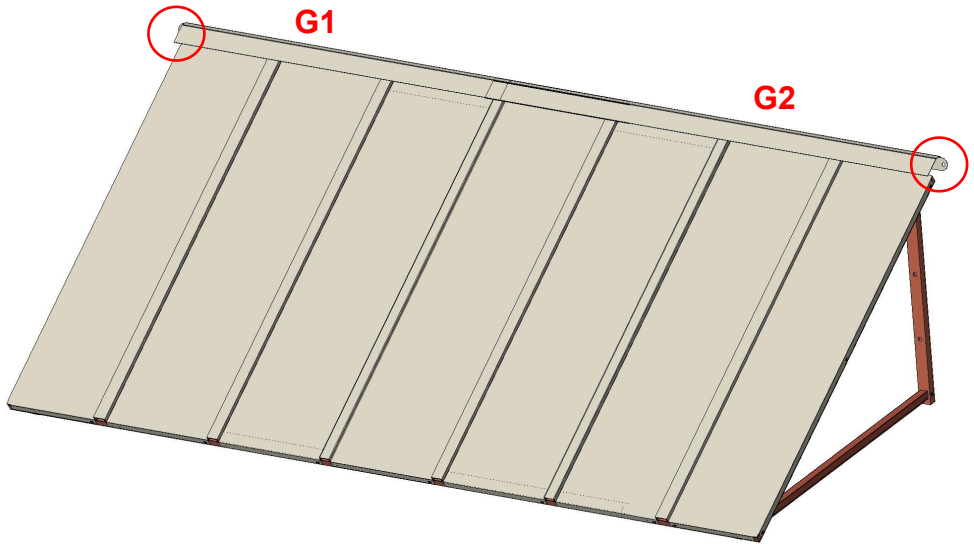
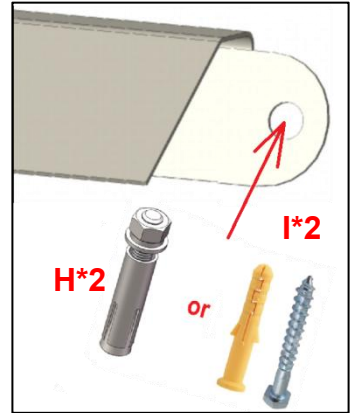
NOTE: There is a screw hole position on each metal tile at the top and on the side, and there is no need to fix them with screws.



Install the last tile F1 and fix it with screws(L*5).

8

Fix the metal plates.



Fix the metal plates G1 and G2 with screws(H or I).

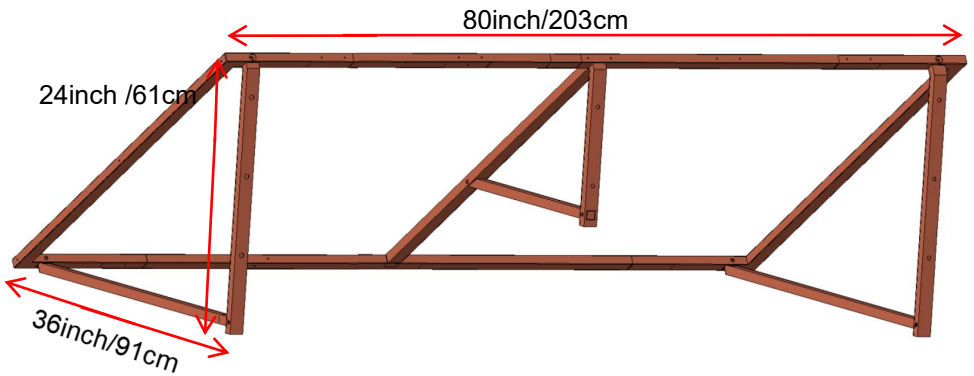
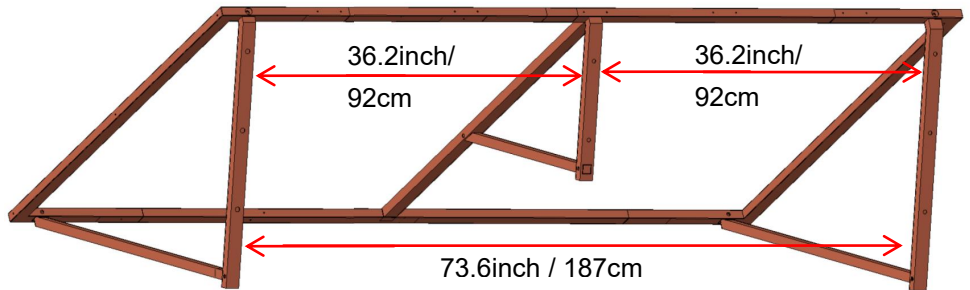
Plan 1(**Suitable for hard walls**): Install with expansion screws(H*2), using a drill bit with a diameter of $\varnothing 12\text{mm}$.

Plan 2(**Suitable for wooden walls**): Install with wall nails(I*2), using a drill bit with a diameter of $\varnothing 6\text{mm}$.

Metal plates (G1 G2): The height of the awning does not take the Metal plates into consideration. The metal plates can be mounted at any distance above the solid frame of the awning.

PRODUCT PARAMETER

Model	CGW-80INCH
Material	Iron
Colour	Black
Shading area	80*36inch(203*91cm)
Maximum suitable width for doors/windows	65.75inch/167cm



Snow Loads

The aluminum door canopies are manufactured from the highest - quality components available on the market today. They are designed to withstand normal weather conditions, including rain, sleet, snow, and wind. However, they are not designed to endure winds exceeding 30 miles per hour, snow loads of more than 12 inches of heavy, wet snow, or 24 inches of light snow. Additionally, they cannot withstand the impact force of snow and ice falling from an upper roof or piling up. This product will deliver excellent performance as long as it is installed correctly and used within its designed load - bearing limits.

Please remove snow promptly during use.

Manufacturer:Shanghaimuxinmuyeyouxiangongsi

Address:Shuangchenglu803nong11hao1602A-1609shi,baoshanqu,
shanghai200000CN.

ECREP:E-CrossStuGmbH.

MainzerLandstr.69,60329FrankfurtamMain.

UKREP:YHCONSULTINGLIMITED.

C/OYHConsultingLimitedOffice147,CenturionHouse,LondonRoad,
Staines-upon-Thames,Surrey,TW184AX

ImportedtoAUS:SIHAOPTYLTD.

1ROKEVASTREETEASTWOODNSW2122Australia

ImportedtoUSA:SanvenTechnologyLtd.

Suite250,9166AnaheimPlace,RanchoCucamonga,CA91730



Technical Support and E-Warranty Certificate
www.vevor.com/support