



**☎ 1-800-243-0000**

24 HOURS A DAY, 7 DAYS A WEEK FOR LG CUSTOMER SERVICE

# Owner's Manual

## Electric and Gas Dryer

**DLE3733W / DLG3744W**

**DLE3733S / DLG3744S**

Thank you for buying an LG Dryer.

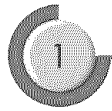
Please read your manual carefully, as it provides instructions on safe installation, use and maintenance.

Record the model and serial numbers, and retain the manual for future reference.

For more information, visit our website at <http://us.lge.com>

P/No.: 3828EL3004J

# PRODUCT FEATURES



## **OUTSTANDING PERFORMANCE**

Not to mention unmatched big capacity, you can benefit from good time efficiency, quiet operation and energy saving system.



## **DOUBLE-COATED STEEL DRUM**

It is coated with one metal coating and the other polymer coating in order to guarantee high durability and the long life.



## **ARTISTIC DESIGN**

Modern front panel look and big crystal-clear glass door make your house look stylish.



## **DIGITAL FABRIC CARE**

Multi-level temperature control heater takes a better care on your valued clothes.



## **EASY OF USE**

A whole selection of user-friendly functions always make you comfortable with dryer operation.

### **What are Sensor Dry and Time Dry?**

Your dryer provides sensor drying and time drying programs.

#### **Sensor Dry**

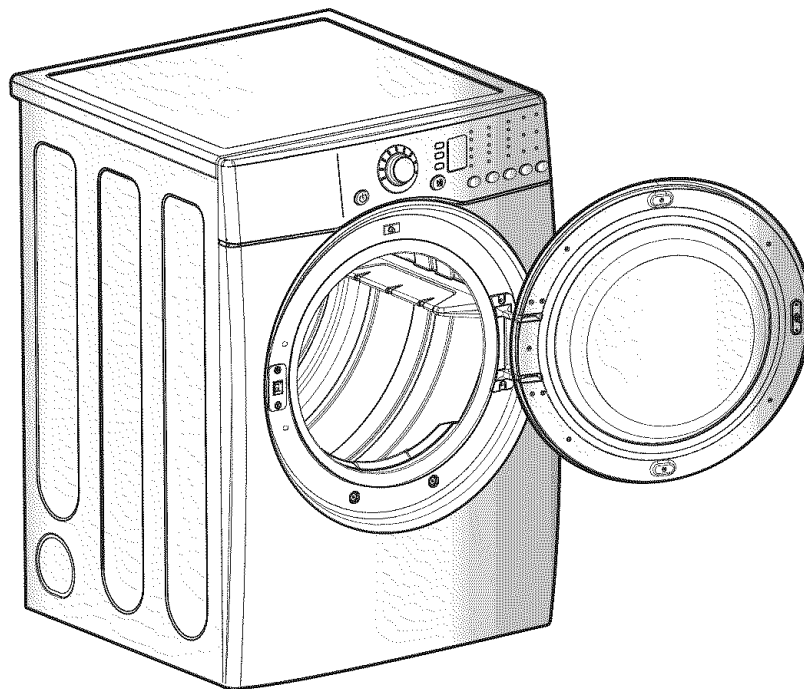
The dryer senses the dampness of the laundry and automatically determines the heat level and operation time. You might see a sudden increase or decrease in operation time if the sensor determines more or less drying is required. This is not a malfunction.

#### **Time Dry**

Use TIME DRY to select heat level and drying time manually. This can be used if clothes are not as dry as you like them at the end of the cycle. Use TIME DRY for heavy and bulky items and thick work.

# TABLE OF CONTENTS

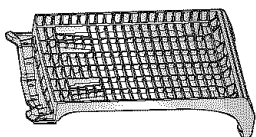
PART 1. SPECIFICATIONS .....	3
PART 2. IMPORTANT WARRANTY AND SAFETY INSTRUCTIONS .....	4
PART 3. INITIAL STEPS FOR INSTALLING YOUR DRYER .....	11
PART 4. ACCESSORIES INSTALLATION .....	17
PART 5. ELECTRICAL REQUIREMENTS FOR ELECTRIC DRYERS .....	19
PART 6. ELECTRICAL REQUIREMENTS FOR GAS DRYERS.....	23
PART 7. GAS REQUIREMENTS AND INSTRUCTIONS .....	24
PART 8. EXHAUST REQUIREMENTS AND MAINTENANCE .....	25
PART 9. OPERATING YOUR DRYER .....	27
PART 10. TROUBLESHOOTING GUIDE.....	33
LG DRYER LIMITED WARRANTY.....	36



- Type : Electric and Gas Dryer
- Rating : Please refer to the rating label regarding detailed information.
- Size : 27 x 29.9 x 38.7(inch)
- Capacity : IEC 7.3 cu.ft. (22.5 lb)
- Weight : 126 lbs (57.2 kg)

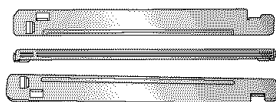
\* Specifications are subject to change by manufacturer.

■ ACCESSORIES



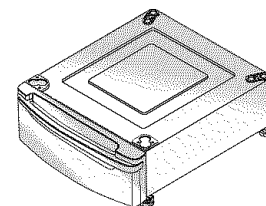
Dryer Rack  
Purchased Separately

See page 28 for instructions.



Stacking Kit  
Purchased Separately

See page 15 for instructions.



\* Design of pedestals is subject to change without manufacturers notice.

Pedestal  
Purchased Separately

See page 16 for instructions.

## SEEKING WARRANTY SERVICE

The warranty for your dryer is located at the end of this manual. Warranty Service is available by contacting your nearest LG Service Center. If this product is installed and operated according to the instructions in this manual, LG will repair or replace any parts defective in material or workmanship throughout the warranty period, beginning with the date of purchase.

**⚠ WARNING!**

For your safety, the recommendations in this manual must be followed. To reduce the risk of fire or explosion, electric shock or to prevent property damage, personal injury, or death when using your appliance follow basic precautions.

**Warranty Restriction:** If the dryer is subjected to other than single family use, all warranty coverage is effective for only 90 days.

You will need the complete model and serial number when requesting warranty service. proof of purchase date is required.

Use the space below to record the model number and serial number of your new LG dryer.

Model Number. \_\_\_\_\_

Serial Number. \_\_\_\_\_

Date of Purchase \_\_\_\_\_

\* Staple your receipt here for convenience when contacting service.

**READ ALL INSTRUCTIONS BEFORE USE**

**⚠ WARNING** For your safety, the information in this manual must be followed to minimize the risk of fire or explosion, electric shock, or to prevent property damage, personal injury, or loss of life.

**Your Safety and the safety of others are very important.**

We have provided many important safety messages in this manual and on your appliance. Always read and obey all safety messages.



This is the safety alert symbol.

This symbol alerts you to potential hazards that can kill or hurt you and others.

All safety messages will follow the safety alert symbol and either the word DANGER or WARNING.

These words mean:

**⚠ DANGER** You can be killed or seriously injured if you don't immediately follow instructions.

**⚠ WARNING** You can be killed or seriously injured if you don't follow instructions.

All safety messages will tell you what the potential hazard is, tell you how to reduce the chance of injury, and tell you what can happen if the instructions are not followed.

**BASIC SAFETY PRECAUTIONS**

**⚠ WARNING** To reduce the risk of fire, electric shock or injury to persons when using your appliance, follow basic precautions, including the following :

- Read all instructions before using the dryer.
- Before use, the dryer must be properly installed as described in this manual.
- Do not place items exposed to cooking oils in your dryer. Items contaminated with cooking oils may contribute to a chemical reaction that could cause a load to catch fire.  
Do not dry articles that have been previously cleaned in, washed in, soaked in, or spotted with gasoline, dry-cleaning solvents, other flammable or explosive substances as they give off vapors that could ignite or explode.
- Do not reach into the dryer if the drum is moving.
- Do not repair or replace any part of the dryer or attempt any servicing unless specifically recommended in this Use and Care Guide or in published user-repair instructions that you understand and have the skills to carry out.
- Do not tamper with controls.
- Before the dryer is removed from service or discarded, remove the door to the drying compartment.
- Do not allow children to play on or in the dryer. Close supervision of children is necessary when the dryer is used near children.
- Do not use fabric softeners or products to eliminate static unless recommended by the manufacturer of the fabric softener or product.
- Do not use heat to dry articles containing foam rubber or similarly textured rubber-like materials.
- Keep area around the exhaust opening and adjacent surrounding areas free from the accumulation of lint, dust, and dirt.
- The interior of the dryer and exhaust vent should be cleaned periodically by qualified service personnel.
- Do not install or store the dryer where it will be exposed to the weather.
- Do not reach into the dryer while parts are moving.
- Always check the inside of the dryer for foreign objects
- Clean lint screen before or after each load.

**SAVE THESE INSTRUCTIONS**

## READ ALL INSTRUCTIONS BEFORE USE

**⚠ WARNING** For your safety, the information in this manual must be followed to minimize the risk of fire or explosion, electric shock, or to prevent property damage, personal injury, or loss of life.

- Do not store or use gasoline or other flammable vapors and liquids in the vicinity of this appliance or any other appliance.
- Installation and service must be performed by a qualified installer, service agency, or the gas supplier.

### BASIC SAFETY PRECAUTIONS

**⚠ WARNING** To reduce the risk of fire, electric shock or injury to persons when using your appliance, follow basic precautions, including the following :

#### GROUNDING INSTRUCTIONS

This appliance must be grounded. In the event of malfunction or breakdown, grounding will reduce the risk of electric shock by providing a path of least resistance for electric current. This appliance must be equipped with a cord having an equipment-grounding conductor and a grounding plug. The plug must be plugged into an appropriate outlet that is properly installed and grounded in accordance with all local codes and ordinances.

**WARNING** - Improper connection of the equipment- rounding conductor can result in a risk of electric shock. Check with a qualified electrician or service person if you are in doubt as to whether the appliance is properly grounded.

Do not modify the plug provided with the appliance.

If it will not fit the outlet, have a proper outlet installed by a qualified electrician.

This appliance must be connected to a grounded metal, permanent wiring system or an equipment-grounding conductor must be run with the circuit conductors and connected to the equipment-grounding terminal or lead on the appliance.

**READ ALL INSTRUCTIONS BEFORE USE**

**⚠ WARNING** For your safety, the information in this manual must be followed to minimize the risk of fire or explosion, electric shock, or to prevent property damage, personal injury, or loss of life.

**WHAT TO DO IF YOU SMELL GAS**

**⚠ WARNING** To reduce the risk of fire, electric shock, or injury to persons when using the appliance, follow basic precautions, including the following:

1. Do not try to light a match or cigarette, or turn on any gas or electrical appliance.
2. Do not touch any electrical switches. Do not use any phone in your building.
3. Clear the room, building, or area of all occupants.
4. Immediately call your gas supplier from a neighbor's phone. Follow the gas supplier's instructions carefully.
5. If you cannot reach your gas supplier, call the fire department.

**CALIFORNIA SAFE DRINKING WATER AND TOXIC ENFORCEMENT ACT**

**⚠ WARNING** To reduce the risk of fire, electric shock, or injury to persons when using the appliance, follow basic precautions, including the following:

This act requires the governor of California to publish a list of substances known to the state to cause cancer, birth defects, or other reproductive harm and requires businesses to warn customers of potential exposure to such substances.

Gas appliances can cause minor exposure to four of these substances, namely benzene, carbon monoxide, formaldehyde, and soot, caused primarily by the incomplete combustion of natural gas or LP fuels.

Properly adjusted dryers will minimize incomplete combustion. Exposure to these substances can be minimized further by properly venting the dryer to the outdoors.

**READ ALL INSTRUCTIONS BEFORE USE**

**⚠ WARNING** For your safety, the information in this manual must be followed to minimize the risk of fire or explosion, electric shock, or to prevent property damage, personal injury, or loss of life.

**SAFETY INSTRUCTION FOR INSTALLATION**

**⚠ WARNING** To reduce the risk of fire, electric shock, or injury to persons when using the appliance, follow basic precautions, including the following:

- **Properly ground dryer to conform with all governing codes and ordinances. Follow details in the installation instructions.**

Electrical shock can result if the dryer is not properly grounded.

- **Before use, the dryer must be properly installed as described in this manual.**

Electrical shock can result if the dryer is not properly grounded.

- **Install and store the dryer where it will not be exposed to temperatures below freezing or exposed to the weather.**

All repairs and servicing must be performed by an authorized servicer unless specifically recommended in this Owner's Guide.

Use only authorized factory parts.

Failure to follow this warning can cause serious injury, fire, electrical shock or death.

- **Do not install the washer in humid spaces to reduce the risk of electric shock.**

Failure to follow this warning can cause serious injury, fire, electrical shock or death.

- **Connect to a properly rated, protected, and sized power circuit to avoid electrical overload.**

Improper power circuit can melt, creating electrical shock and/or fire hazard.

- **Remove all packing items and dispose of all shipping materials properly.**

Failure to do so can result in death, explosion, fire or burns.

- **Place dryer at least 18 in. above the floor for a garage installation.**

Failure to do so can result in death, explosion, fire or burns.

## READ ALL INSTRUCTIONS BEFORE USE

**▲ WARNING** For your safety, the information in this manual must be followed to minimize the risk of fire or explosion, electric shock, or to prevent property damage, personal injury, or loss of life.

### SAFETY INSTRUCTION FOR INSTALLATION (cont.)

#### Exhaust/Ducting:

- **Gas dryers MUST be exhausted to the outside.**

Failure to follow these instructions can result in fire or death.

- **The dryer exhaust system must be exhausted to the outside of the dwelling.**

The dryer is not exhausted outdoors, some fine lint and large amounts of moisture will be expelled into the laundry area. An accumulation of lint in any area of the home can create a health and fire hazard.

- **Use only rigid metal or flexible metal 4in. Diameter ductwork inside the dryer cabinet or for exhausting to the outside.**

Use of plastic or other combustible ductwork can cause a fire. Punctured ductwork can cause a fire if it collapses or becomes otherwise restricted in use or during installation.

- **Rigid or semi rigid metal ducting is recommended for use between the dryer and the wall. In special installations when it is impossible to make a connection with the above recommendations, a UL-listed flexible metal transition duct may be used between the dryer and wall connection only. The use of this ducting will affect drying time.**

Failure to follow these instructions can result in fire or death.

- **Ductwork is not provided with the dryer, and you should obtain the necessary ductwork locally. The end cap should have hinged dampers to prevent back draft when the dryer is not in use.**

Failure to follow these instructions can result in fire or death.

- **The exhaust duct must be 4 in. (10 cm) in diameter with no obstructions. The exhaust duct should be kept as short as possible. Make sure to clean any old ducts before installing your new dryer.**

Failure to follow these instructions can result in fire or death.

- **DO NOT use sheet metal screws or other fasteners which extend into the duct that could catch lint and reduce the efficiency of the exhaust system. Secure all joints with duct tape. ¶U For complete details, follow the Installation Instructions.**

Failure to follow these instructions can result in fire or death.

## READ ALL INSTRUCTIONS BEFORE USE

**⚠ WARNING** For your safety, the information in this manual must be followed to minimize the risk of fire or explosion, electric shock, or to prevent property damage, personal injury, or loss of life.

### SAFETY INSTRUCTION FOR CONNECTING ELECTRICITY

**⚠ WARNING** To reduce the risk of fire, electric shock or injury to persons when using the appliance, follow basic precautions, including the following :

- **Do not, under any circumstances, cut or remove the ground prong from the power cord.**

To prevent personal injury or damage to the dryer, the electrical power cord must be plugged into a properly grounded

- **For personal safety, this dryer must be properly grounded.**

Failure to do so can result in electrical shock or injury

- **Refer to the installation instructions in this manual for specific electrical requirements for your model.**

Failure to follow these instructions can create electrical shock and/or a fire hazard.

- **This dryer must be plugged into a properly grounded outlet.**

Electrical shock can result if the dryer is not properly grounded.

- **Have the wall outlet and circuit checked by a qualified electrician to make sure the outlet is properly grounded.**

This will prevent shock hazard and assure stability during operating.

- **The dryer should always be plugged into its own individual electrical outlet which has a voltage rating that matches the rating plate.**

This provides the best performance and also prevents overloading house wiring circuits which could cause a fire hazard from overheated wires.

- **Never unplug your dryer by pulling on the power cord. Always grip plug firmly and pull straight out from the outlet.**

The power cord can be cut by any movement of the cord, resulting in electrical shock.

- **Repair or replace immediately all power cords that have become frayed or otherwise damaged. Do not use a cord that shows cracks or abrasion damage along its length or at either end.**

These power cord can melt, creating electrical shock and/or fire hazard.

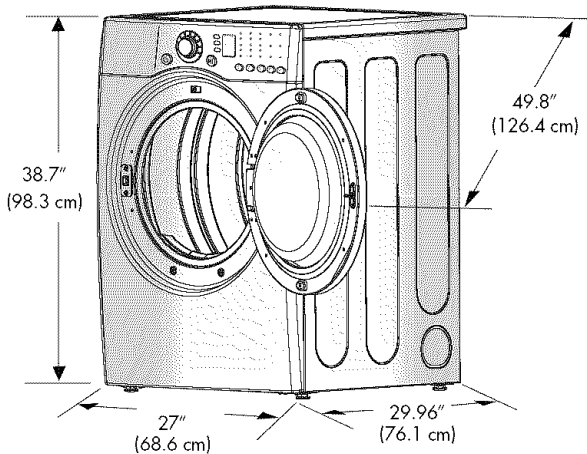
- **When installing or moving the dryer, be careful not to pinch, crush, or damage the power cord.**

This will prevent injury and damage to the dryer from fire and electrical shock.

The following instructions will help guide you through the initial steps of setting up your dryer for use. Please note that every section of this manual provides important information regarding the preparation and use of your dryer, and it is important that you review this entire manual before proceeding with any installation or use. More detailed instructions concerning electrical connections, gas connections, and exhaust requirements are provided in other parts of this manual.

**STEP 1 Positioning the Dryer.**

Choose a location with a solid floor for your dryer. Place the dryer at least eighteen inches above the floor for a garage installation. After placing the dryer in the desired location, please make sure that it has the required clearances shown below. If you are installing your dryer in a manufactured or mobile home, please refer to STEP 9 for additional instructions.



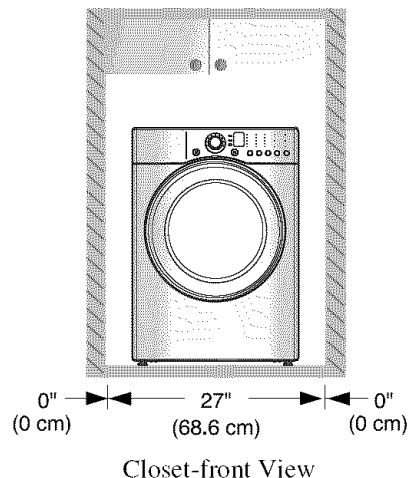
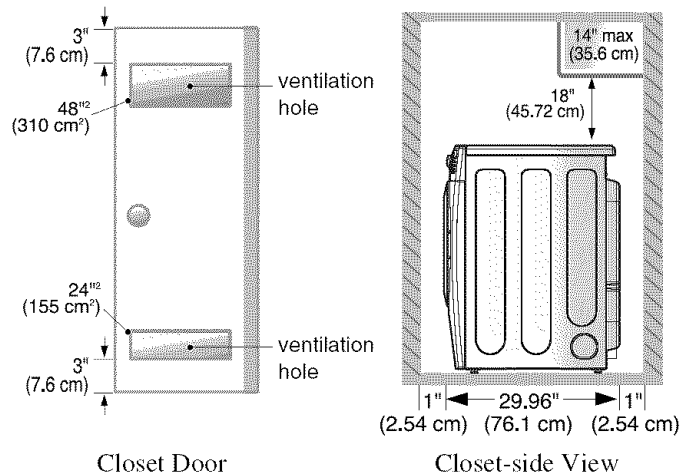
\* Most installations require a minimum 5½ inches (14 cm) clearance behind the dryer for the exhaust vent with elbow.

**Note**

**Leveling legs should be secured. All four legs are stably placed on a solid and even floor. If dryer is not level, laundry may not tumble properly and sensor will not detect accurate humidity information. When leveling, please be cautious not to injure your fingers and toes. If you install the dryer on the optional pedestal, it is necessary to level with the pedestal leveling legs.**

**Certain minimum clearances are required above, behind, and to the sides of the unit, as shown below.** Those required minimum clearances are set forth in the picture below. Please keep the following instructions in mind when installing in a closet or recessed area:

- Consider allowing additional clearance for installation and servicing.
- Wall, door and floor molding may necessitate additional clearances.
- An additional inch of clearance is recommended to minimize noise transfer.
- Consider space needed for companion appliances.
- For closet installations, the picture below shows the minimum required ventilation openings for the door. A louvered door with comparable ventilation openings is also acceptable.



## Part 3

# INITIAL STEPS FOR INSTALLING YOUR DRYER

Once in position, adjust the leveling legs of the dryer until it is level from left to right and front to back. The leveling legs must remain firmly on the floor and the dryer should not rock. The maximum slope of the dryer from left to right or front to back should not exceed 2.5 cm (1 inch). If the dryer is not level, and if the slope exceeds 2.5 cm (1 inch), a load may not tumble properly and internal sensors may malfunction. Note: Other sections of this manual also provide important information concerning the placement of and clearances for your dryer. Please review this entire manual before proceeding with any installation.

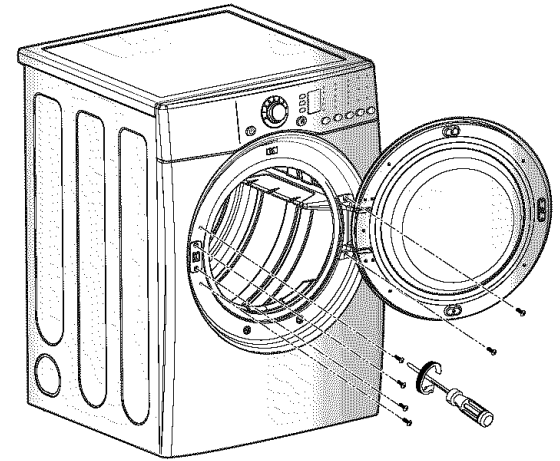
### STEP 2 Procedure for Reversing the Door

The door on your dryer can be installed to open either to the left or the right. Follow these instructions to reverse the direction in which your door opens:

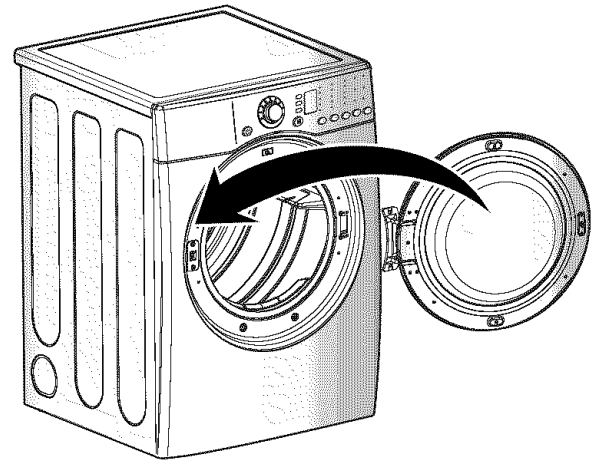
#### Note

Door and latch should be aligned at the center when closed.

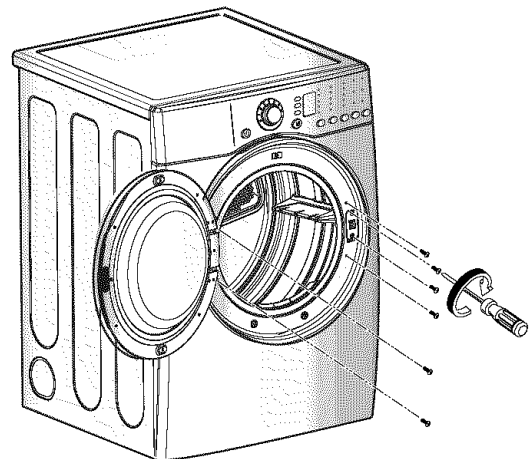
1



2



3



**STEP 3 Connecting the Exhaust and Venting System.**

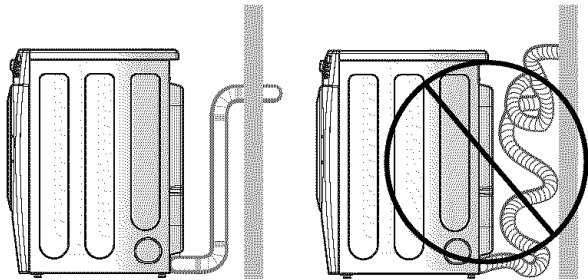
**⚠ WARNING!**

- Use a heavy metal vent.
- Do not use plastic or thin foil duct.
- Clean old ducts before installing this dryer.
- Failure to follow these instructions can result in death or fire.

**Note**

**The exhaust must be vented to the outside. Improper taping and incorrect installation will cause dryer malfunction.**

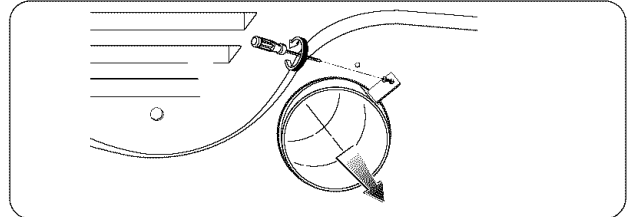
In addition to the following warnings, please refer to manual section on Exhaust Requirements and Maintenance. **Warning:** The dryer must be vented to the outdoors. Please follow the instructions (and all others in this manual) very carefully. Failure to follow these instructions can result in death or fire.



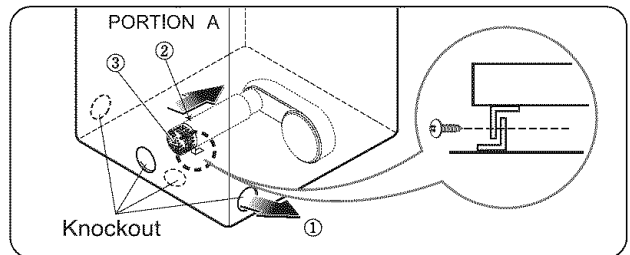
- Do not use plastic or thin foil duct.
- Use 4" (10.2 cm) diameter rigid or semi-rigid metal duct (**NOTE!** Venting materials are not supplied with the dryer, and you should obtain the venting materials necessary for proper installation)
- Position the dryer such that the exhaust duct run is as short as possible.
- *Clean old ducts before installing this dryer*
- The male end of each section of exhaust duct must point away from the dryer.
- Use as few elbow joints as possible.
- Use duct tape on all duct joints.
- Insulate ductwork that runs through unheated areas in order to reduce condensation and lint build-up on pipe walls.
- **PLEASE BE AWARE THAT FAILURE TO EXHAUST THE DRYER CORRECTLY WILL VOID THE DRYER'S WARRANTY.**

**■ ALTERNATE EXHAUST DIRECTIONS**

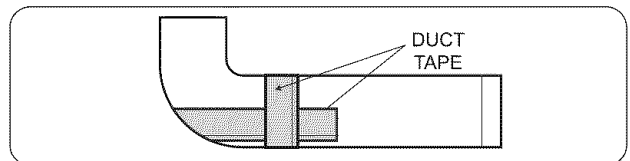
1. Remove screw and exhaust duct. (Use exhaust kit part #3911EZ9131X.)



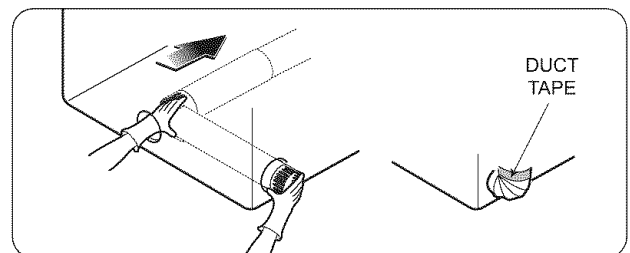
- 2-1. Detach and remove the knockout that matches the desired venting direction (Right side not available on Gas Dryers)



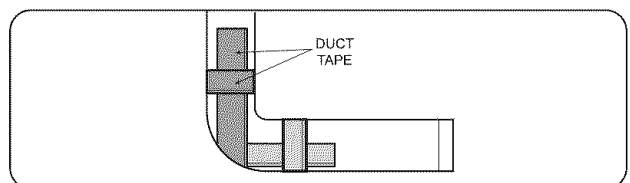
- 2-2. Connect a short piece of duct to the blower housing and attach the duct to the base.



- 3-1. Insert the male end of a 4" elbow into the female end of a short duct. Tape the joint.

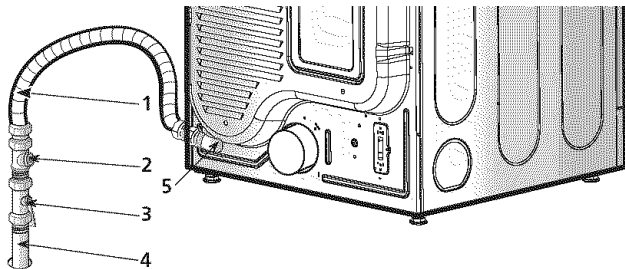


- 3-2. Insert this assembly elbow first through the hole in the dryer and push the female end of the elbow onto the male end of the blower output shaft. Tape the joint.



**STEP 4 Connection of Gas Supply**

(Gas dryer only). In addition to the following, please refer to manual section on Gas Requirements and Instructions.



1. New stainless steel flexible connector. Use this type of connector only if allowed by local codes. Use Design AGA Certified Connector.
2. 1/8" NPT Pipe Plug (for checking inlet gas pressure)
3. Equipment Shut-Off Valve  
Installed within 6' (1.8 m) of dryer.
4. Iron Pipe. Shorter than 20' (6.1 m)  
Use 3/8" pipe.  
Longer than 20' (6.1 m) - Use 1/2" pipe.
5. 3/8" N.P.T. Gas Connection.

**Note**

**Make sure the burner orifice is proper for the type of gas you have.**

**For instance, using LPG with LNG orifice will result in death, fire or explosion. Or using LNG with LPG nozzle will not allow the burner to ignite.**

**If needed, orifice conversion should be done by a qualified service technician and mark or put the label of the current type of orifice on the dryer.**

**If changing the orifice, also adjust the gas valve.**

1. Confirm that the type of gas available in your laundry room is appropriate for the dryer. The dryer is prepared for Natural Gas with a 3/8" NPT gas connection.
2. Remove the shipping cap from the gas connection at the back of the dryer. Make sure that you don't damage the threads of the gas connection pipe when you remove the shipping cap.
3. Connect the dryer to your laundry room's gas supply using a new flexible stainless steel connector (as noted below, use a new stainless steel flexible connector if allowed by your local codes).
4. Securely tighten all connections between the dryer and your laundry room's gas supply. Turn on your laundry room's gas supply and check all pipe connections (both internal and external) for gas leaks with a non-corrosive leak detection fluid. Refer to Part 7 (page 20)
5. For LP (Liquefied Petroleum) gas connection, refer to this manual's section entitled Gas Requirements and Instructions.

**STEP 5 Electrical Plug Connections**

Following are several warnings and instructions concerning making the electrical connection for electric dryers. More detailed information concerning the electrical connection is provided in the manual section entitled Electrical Requirements for Electric Dryer. It is important that you thoroughly review that section and the remainder of this manual, before taking any steps to install or use this dryer.

1. Use only a new UL listed No. 10 (copper wire only) three conductor power supply cord kit rated 240 Volts (minimum) 30 Amperes and labeled as suitable for use in a clothes dryer.
2. A four-wire cord is required for manufactured (mobile) home installations and where local codes do not allow grounding of this appliance through neutral.
3. Electrical Plug Connections.
4. For additional instruction on connecting the dryer to an electrical power source, please refer to this manual's section on Electrical Requirements and Electric Dryer.

**Note****Burner input requirements**

**If your house is located at the elevations up to 10,000 feet.**

**Adjusting burner input setting is not needed at this elevation because AGA certifies this dryer will not have any problem with the BTU rating at this altitude.**

**If your house is above 10,000 feet, you are required to adjust a four percent (4%) reduction of the burner BTU rating indicated on the model/serial rating plate.**

**WARNING!**

- Use a new UL listed 30 amp power supply cord.
- Use a UL approved strain relief.
- Disconnect power before making electrical connections.
- Connect neutral wire (white or center wire) to center terminal.
- Ground wire (green or bare wire) must be connected to green ground connector.
- Securely tighten all electrical connections
- See installation instructions for complete instructions.
- Failure to do so can result in fire or electrical shock.

**STEP 6 Preparation of the Dryer.**

Prior to the first use of this appliance, use all-purpose cleaning products or a solution of detergent and water, with damp cloth to remove from the inside of the dryer drum/drying compartment any dust or dirt that may have accumulated inside the dryer. Plug-in your dryer after reviewing the following parts on your dryer's Electrical Requirements.

**STEP 7 Confirming Heat Source Operation.****Confirming Heat Source in Gas Dryers**

Close the door to the dryer drum/drying compartment and, after completing all steps in this manual for proper installation of this dryer, start the dryer on a heat setting. After the dryer starts, the igniter will glow red and the main burner will ignite.

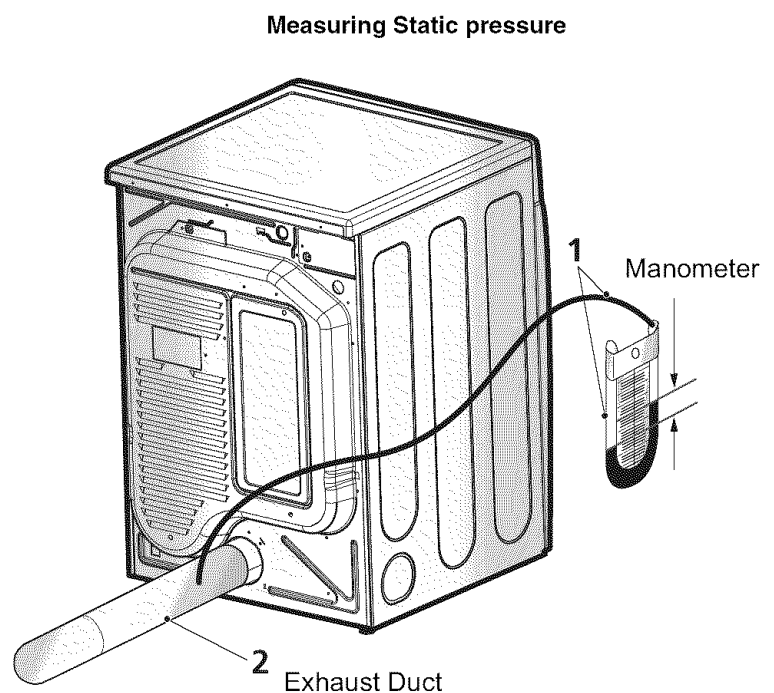
**Warning:** If all air is not purged from the gas line, the gas igniter may go off before the gas and the main burner have ignited. If this happens, the igniter will re-attempt gas ignition after approximately two minutes.

**Confirming Heat Source in Electric Dryers**

Close the door to the dryer drum/drying compartment and, after completing all steps in this manual for proper installation of this dryer, start the dryer on a heat setting. The exhaust air or the exhaust pipe should be warm after the dryer has been operating for three minutes.

**STEP 8 Dryer Airflow.**

Effective dryer operation requires appropriate dryer airflow. The adequacy of the airflow can be measured by evaluating the static pressure. Static pressure in the exhaust duct can be measured with a manometer, placed on the exhaust duct approximately 2 ft. (60.9 cm) from the dryer. Static pressure in the exhaust duct should not exceed 5/8 inches (1.5 cm). The dryer should be checked while the dryer is running with no load.



**MAXIMUM STATIC  
PRESSURE IN  
WATER COLUMN**

5/8 inches (1.5 cm)

### STEP 9 Additional Instructions for Installation of Your Dryer in a Manufactured or Mobile Home.

The following instructions are applicable to installations of the dryer in a manufactured or mobile home. Any installation in a manufactured or mobile home must comply with the Manufactured Home Construction and Safety Standards Title 24 CFR, Part 32-80 or Standard CAN/CSA0Z240 MH and local codes and ordinances. If you are uncertain whether your proposed installation will comply with these standards, please contact a service and installation professional for assistance.

The following instructions apply to any installation of the dryer in a manufactured or mobile home:

- 1) The electrical connection for an electric dryer must be a 4-wire connection. More detailed information concerning the electrical connection is provided at the manual section entitled Electrical Requirements for Electric Dryer
- 2) To reduce the risk of combustion and fire, the dryer must be vented to the outside.

#### **WARNING!**

- DO NOT connect exhaust ducts with metal screws or fasteners that extend into the duct.
- Failure to do so can result in death, explosion, or fire.

- 3) Electric dryers may be vented to the outside using the back, left, right, or bottom panel.
- 4) Gas dryers may be vented to the outside using the back, left, or bottom panel. Gas dryers may not be vented to the outside using the right side panel because of the burner housing.
- 5) The dryer exhaust duct must be affixed securely to the manufactured or mobile home structure, the exhaust duct must be made of a material that will resist fire and combustion, and it is recommended that you use a rigid or flexible metal pipe.
- 6) DO NOT connect the exhaust duct with any other duct, vent, chimney, or other exhaust duct.
- 7) Make sure the dryer has adequate access to outside fresh air to ensure proper operation. The opening for outside fresh air must be at least 25 in<sup>2</sup> (163 cm<sup>2</sup>).
- 8) It is important that the clearance of the duct from any combustible construction be at least 2 inches (5 cm), and, when venting the dryer to the outdoors, the dryer can be installed with a clearance of 1 inch at the sides and back of the dryer.
- 9) Please be aware that venting materials are not supplied with the dryer. You should obtain the venting materials necessary for proper installation.

#### **WARNING!**

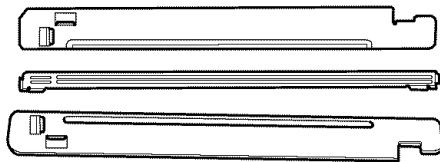
- DO NOT vent the exhaust duct under the manufactured or mobile home.
- Failure to do so can result in death, explosion, or fire.

**Stacking Kit Installation Instructions**

To ensure safe and secure installation, please observe the instructions below.

**⚠ WARNING!**

- The weight of the dryer and the height of installation makes the stacking procedure too risky for one person. This procedure should be performed by 2 or more experienced service personnel.
- Incorrect installation can cause serious accidents.



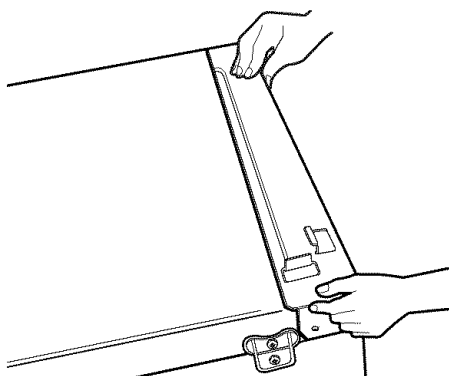
Stacking kit

**1** Place washer firmly on a stable, even and solid floor.

**2** Peel protective paper off the tape from the stacking kit side bracket.



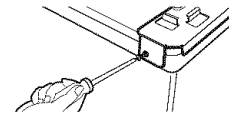
**3** Fit the stacking kit side bracket firmly to the side of top plate by attaching the double-sided tape to top plate as picture shows.



**Note**

Clean the surface before attaching the brackets and double-sided tape.

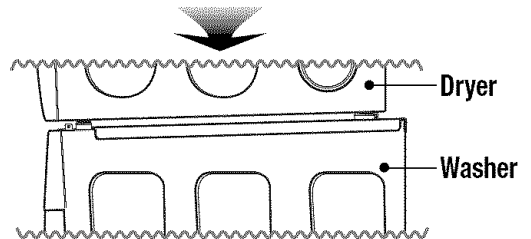
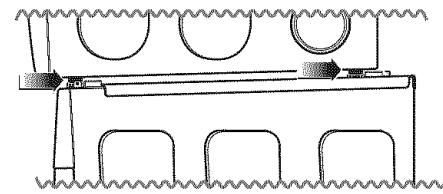
**4** Secure stacking kit side bracket to the washer with a screw on the back of bracket. Repeat Steps 2, 3, 4 for the other side.



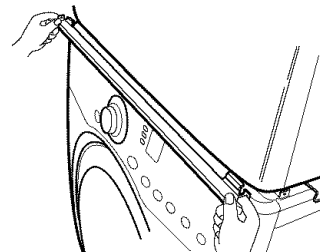
**5** Place the dryer on top of the washer by fitting legs as shown in the picture. Avoid finger injuries - be careful not to pinch fingers between the washer and dryer. Slide dryer slowly backwards to the stopper of kit.

**⚠ WARNING!**

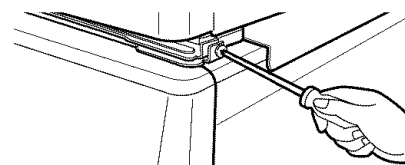
- Do not stack a washer on the top of the dryer.
- Incorrect installation can cause serious accidents.



**6** Insert the front rail. Push the front rail back to the stoppers of side stacking kit.



**7** Attach both sides of the front kit with screws.



- Do not use stacking kit with a gas dryer in potentially unstable conditions like a mobile home.

**Pedestal Installation Instructions**

**1** Remove pedestal, installation hardware, and instructions from the shipping carton.

**2** Position dryer on top of the pedestal.  
**NOTE :** Because of the weight of the dryer two or more people may be needed.

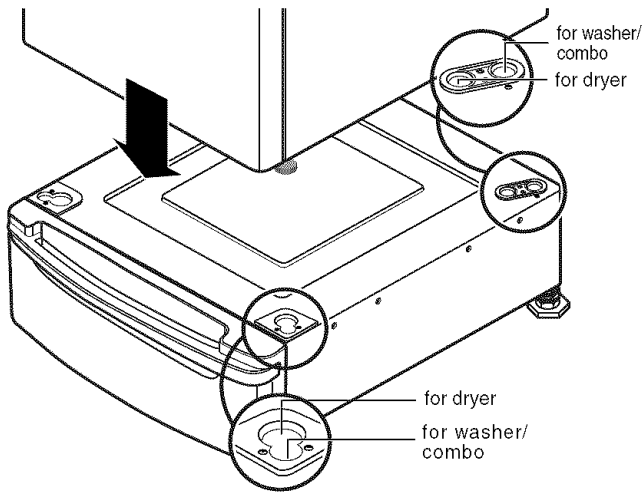
**NOTE :** If dryer was previously installed, uninstall it as follows:

**A. Uninstalling an electric dryer:**

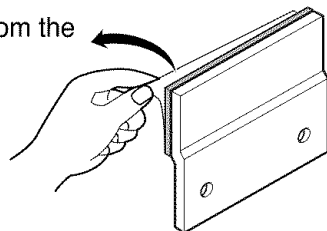
- 1) Unplug the power supply cord,
- 2) Pull the dryer away from the wall enough to loosen the vent clamp. Loosen the clamp and carefully remove the exhaust vent from the dryer exhaust outlet.

**B. Uninstalling a gas dryer:**

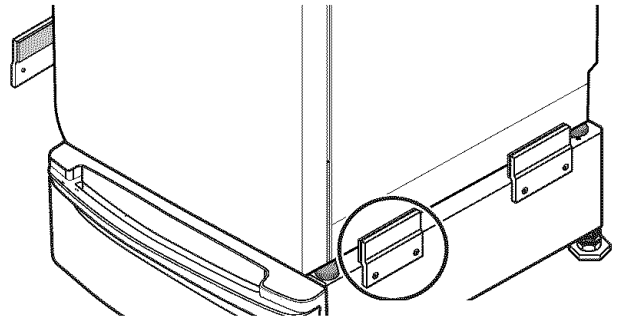
- 1) Shut off gas.
- 2) Unplug power cord.
- 3) Disconnect gas line from dryer.
- 4) Pull away and loosen vent clamp.
- 5) Disconnect venting.



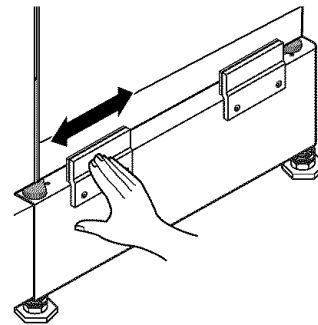
**3** Remove the paper from the bracket.



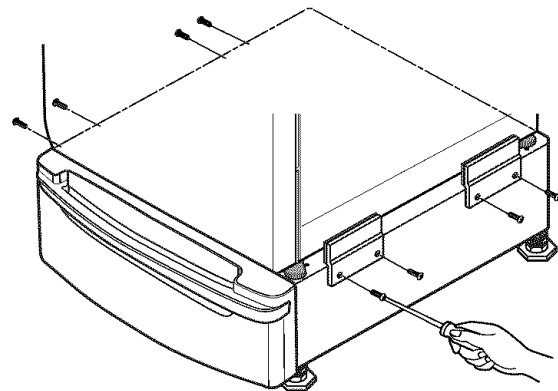
**4** Attach the double-faced tape of the bracket to the dryer as shown so the bent parts of the brackets align with the edge and can be attached to the pedestal with screws.  
**NOTE :** Attach the bottom first.



**5** Be sure to press the adhesive parts of the brackets firmly to the appliance.



**6** Install the eight (8) screws (supplied) to attach the brackets to the pedestal.



**7** Move the dryer to the desired place.

**NOTE :** The appliance and pedestal assembly must be placed on a solid and level floor for proper operation. Adjust the legs of the appliance and pedestal by turning with a wrench. Then, adjust the locknut toward the pedestal while holding the pedestal leg using a wrench.

The following are additional instructions regarding electrical connections and requirements for electric dryers.

**⚠ Warning:** The wiring and grounding must conform to the latest edition of the National Electrical Code, ANSI/NFPA 70 and all applicable local regulations. Please contact a qualified electrician to check your home's wiring and fuses to ensure that your home has adequate electrical power to operate the dryer. Failure to do so can result in fire or electrical shock.

### 120V/ 240V, 60 Hertz, 3-Wire Installation

#### Instructions for Grounding of your Electric Dryer:

- a) This dryer must be connected to a grounded metal, permanent wiring system or an equipment-grounding conductor must be run with the circuit conductors and connected to the equipment-grounding terminal or lead on the dryer.
- b) The dryer has its own terminal block that must be connected to a separate 60 Hertz single phase AC circuit, fused at 30 Amperes (the circuit must be fused on both sides of the line).  
**ELECTRICAL SERVICE FOR THE DRYER SHOULD BE OF MAXIMUM RATE VOLTAGE LISTED ON THE NAMEPLATE. DO NOT CONNECT DRYER TO 110, 115, OR 120 VOLT CIRCUIT.** Heating elements are available for field installation in dryers which are to be connected to electrical service of different voltage than that listed on nameplate.
- c) If branch circuit to dryer is fifteen feet (4.50 m) or less in length, use U.L. (Underwriters Laboratories) listed No. 10 A.W.G. wire (copper wire only), or as required by local codes. If over fifteen feet (4.50 m), use U.L. (Underwriters Laboratories) listed No. 8 A.W.G. wire (copper wire only), or as required by local codes. Allow sufficient slack in wiring so dryer can be moved from its normal location when necessary.
- d) The power cord (pigtail) connection between wall receptacle and dryer terminal block IS NOT supplied with dryer. Type of pigtail and gauge of wire must conform to local codes and with instructions mentioned on the following pages.
- e) The method of wiring the dryer is optional and subject to local code requirements. Refer to examples on next page.
- f) You must select the method by which to wire your dryer according to local code and ordinance requirements. Sample methods are included in the following pages.

Review the following options to determine the appropriate electrical connection for your home:



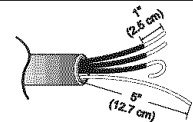
**4-wire receptacle  
(NEMA type 14-30R)**

Use the instructions in this section if your home has a 4-wire receptacle (NEMA type 14-30R) and you will be using a UL listed, 120/240 volt minimum, 30 amp, dryer power supply cord.



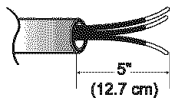
**3-wire receptacle  
(NEMA type 10-30R)**

Use the instructions in this section if your home has a 3-wire receptacle (NEMA type 10-30R) and you will be using a UL listed, 120/240 volt minimum, 30 amp, dryer power supply cord.



**4-wire direct**

If this type is available at your home, you will be connecting to a fused disconnect or circuit breaker box.



**3-wire direct**

If this type is available at your home, you will be connecting to a fused disconnect or circuit breaker box.

**Note**

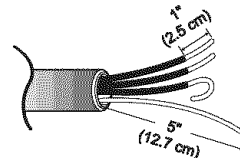
- Connect the power supply wire to the terminal block. Colored wire should be connected to same color screw. Wire color indicated on manual is connected to the same color screw in block. Otherwise, a short or excessive current flow may result.

**4-wire connection : Direct wire**

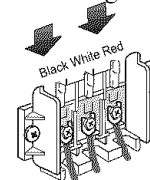
**Warning :** Grounding through the neutral conductor is prohibited for (1) new branch-circuit installations, (2) mobile homes, (3) recreational vehicles, and (4) areas where local codes prohibit grounding through the neutral conductor. Failure to do so can result in fire or electrical shock.

Prepare minimum 5 ft (1.52 m) of length in order for dryer to be replaced.

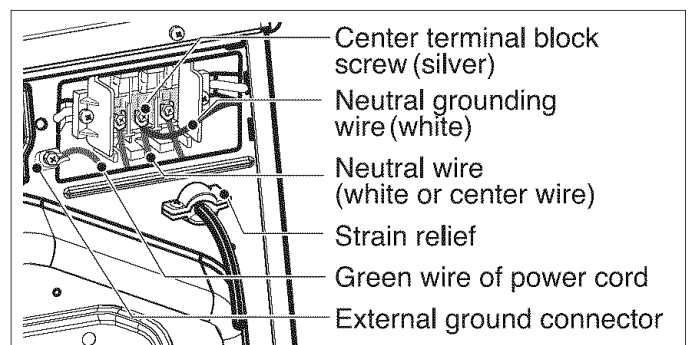
First, peel 5 inches (12.7 cm) of covering material from end. Strip 5 inches of ground wire insulation. After cutting 1/2 inch (3.8 cm) from 3 other wires peel insulation back 1 inch (2.5 cm). Make ends of 3 wires a hook shape.



Then, put the hooked shape end of the wire under the screw of the terminal block (hooked end facing to the right) and pinch the hook together and screw tightly.



1. Connect neutral wire (white) of power cord to center terminal block screw.
2. Connect red and black wires to the left and right terminal block screws.
3. Connect ground wire (green) of power cord to external ground screw and move neutral ground wire of appliance and connect it to center screw.
4. Make sure that the strain relief is tightened. Be sure that all terminal block nuts are on tight and power cord is in right position.

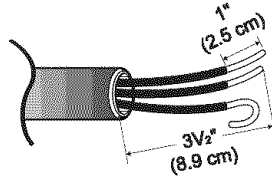


**3-wire connection : Direct wire**

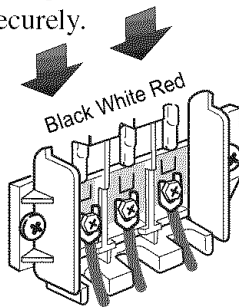
**Warning :** Grounding through the neutral conductor is prohibited for (1) new branch-circuit installations, (2) mobile homes, (3) recreational vehicles, and (4) areas where local codes prohibit grounding through the neutral conductor. Failure to do so can result in fire or electrical shock.

Prepare minimum 5 ft (1.52 m) of length in order for dryer to be replaced.

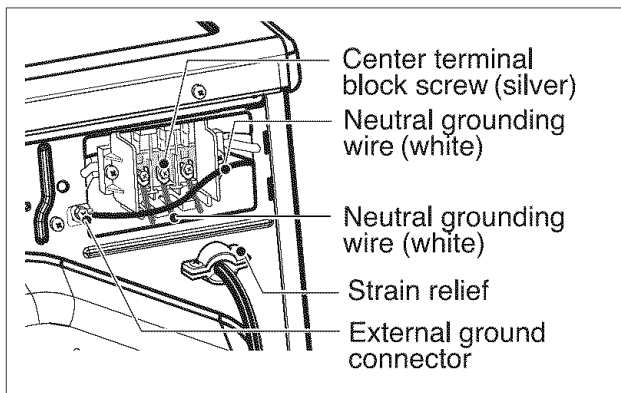
First, strip 3 1/2 inches (8.9 cm) of outer sheath from end and strip 1 inch of insulation from each conductor.



Then, put the hooked shape end of the wire under the screw of the terminal block (hooked end facing rightward) and pinch the hook together and tighten the screw securely.

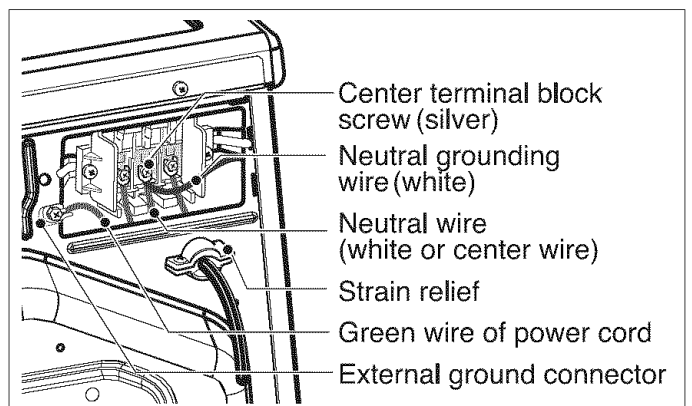
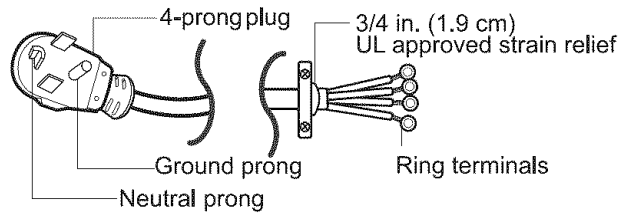
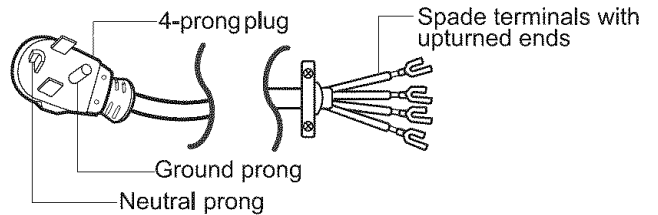
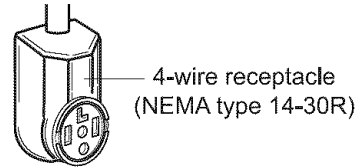


1. Connect neutral wire (white) of power cord to center terminal block screw.
2. Connect red and black wires to the left and right terminal block screws.
3. Make sure that the strain relief screw is tightened. Be sure that all terminal block nuts are on tight and power cord is in right position.



**Option 1: 4-wire connection with a power supply cord.**

- If your local codes or ordinances do not allow the use of a 3-wire connection, or you are installing your dryer in a mobile home, you must use a 4-wire connection.

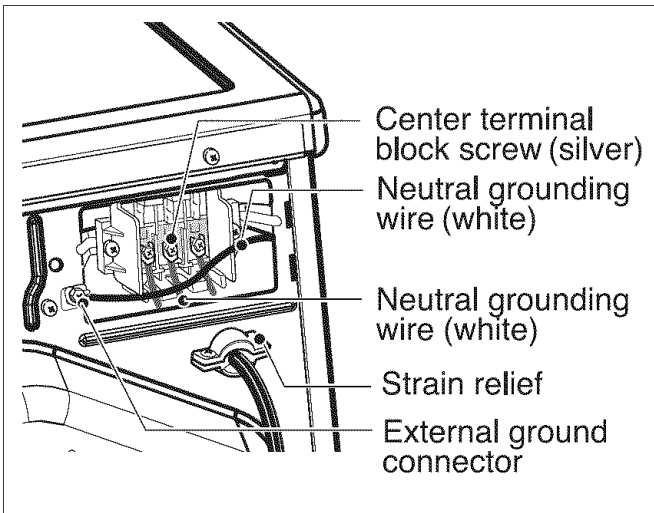
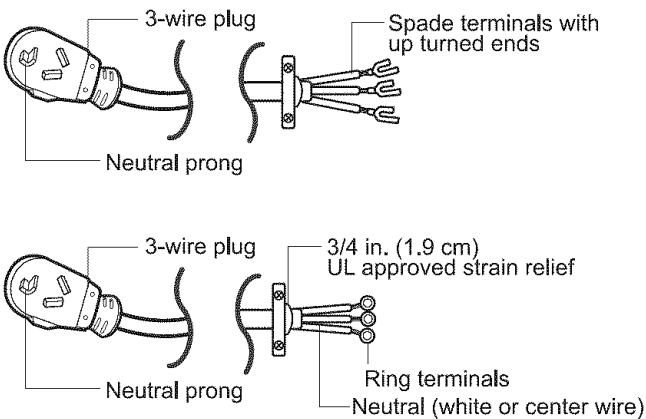
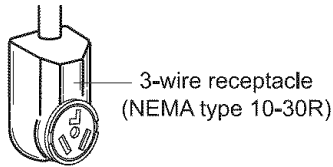


1. Connect neutral wire (white) of power cord to center terminal block screw.
2. Connect red and black wires to the left and right terminal block screws.
3. Connect ground wire (green) of power cord to external ground screw and move neutral ground wire of appliance and connect it to center screw.
4. Make sure that the strain relief screw is tightened. Be sure that all terminal block nuts are on tight and power cord is in right position.

**Option 2: 3-Wire connection with a power supply cord.**

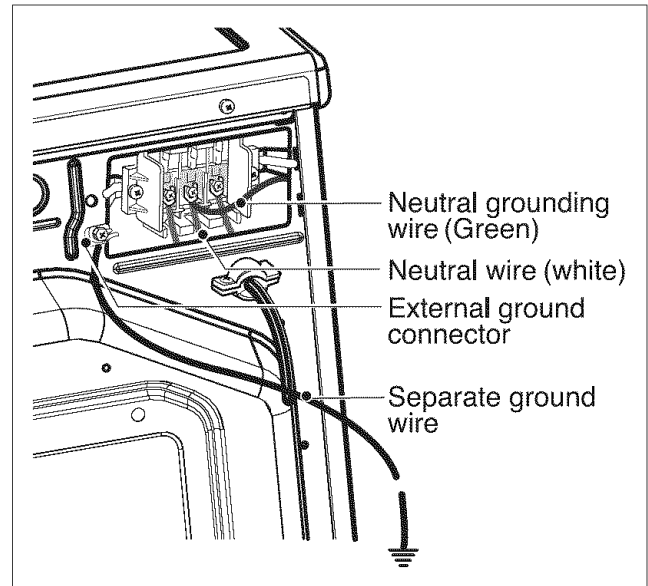
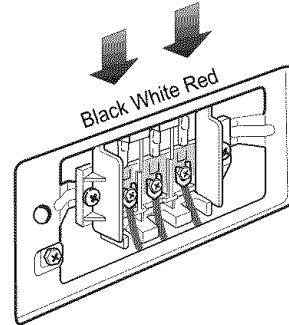
If your local codes or ordinances permit the connection of a frame-grounding conductor to the neutral wire, use these instructions. If your local codes or ordinances do not allow the connection of a frame-grounding conductor to the neutral wire, use the instructions under Section 1: Optional 3-wire connection.

**Section 1**



**Option 3: Optional 3-wire connection.**

- If your local codes or ordinances do not allow the connection of a frame-grounding conductor to the neutral wire, use the instructions under this section.



1. Connect neutral wire (white) of power cord to center terminal block screw.
2. Connect ground wire of appliance and neutral wire of power cord to center terminal block screw.
3. Connect red and black wires to the left and right terminal block screws.
4. Make sure the strain relief screw is tightened. Be sure that all terminal block nuts are on tight and power cord is in right position.
5. Connect a independent ground wire from external ground connector to proper ground.

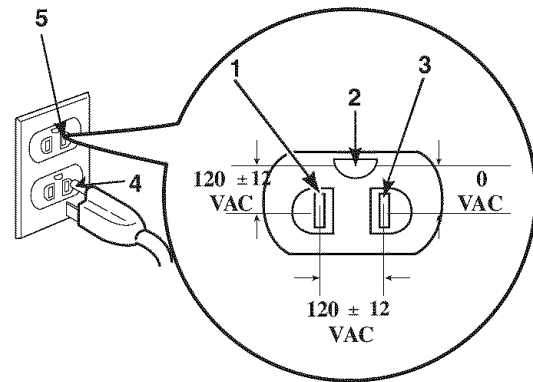
## 120 Volt, 60 Hertz, with 3-Prong Grounding Plug

Following are additional instructions regarding electrical connections and requirements for gas dryers.

**⚠ Warning:** The wiring and grounding must conform to the latest edition of the National Electrical Code, ANSI/NFPA 70, or the Canadian Electrical Code, CSA C22.1, and all applicable local regulations. Please contact a qualified electrician to check your home's wiring and fuses to ensure that your home has adequate electrical power to operate the dryer. Failure to do so can result in fire or electrical shock.

## Electrical Requirements for Your Dryer:

- Please note that the wiring diagram is provided inside the dryer control hood. Label all wires prior to disconnection when servicing the dryer, because wiring errors can cause serious injury to you and your dryer.
- Your dryer is designed to be used on a separate branch, polarized, three-wire, effectively grounded, 120 Volt, 60 Hertz, AC (alternating current) circuit protected by a 15 Ampere fuse, equivalent fuse or circuit breaker.
- Use separately fused circuits for washers and dryers, and **DO NOT** operate a washer and a dryer on the same circuit.



**STANDARD 120 VOLT, 60 HERTZ, 3-WIRE EFFECTIVELY GROUNDED CIRCUIT**

- |   |                       |
|---|-----------------------|
| 1 | L1                    |
| 2 | Ground                |
| 3 | Neutral Side          |
| 4 | Round Grounding Prong |
| 5 | Neutral               |

- The dryer has a three-prong plug to help guard against shock. The plug should be plugged directed into a properly grounded three-prong receptacle that is rated 120 Volts AC (alternating current) 15 Amps. This plug, in order to be properly and fully effective, must be plugged into a properly installed outlet that is grounded in accordance with all local codes and ordinances.
- The dryer must be grounded in order to reduce the risk of electric shock, including a malfunction or breakdown.
- If your laundry room does not meet the specifications required by this manual, or if you are uncertain whether or not your laundry room meets these specifications, please have a qualified service person or company. Review your laundry room's electrical supply for any problems.

### ⚠ WARNING!

- Do not overload the circuit by operating other appliances on the same circuit when this appliance is operating, by using an extension cord to connect the dryer to the power source, or by using any adapter to allow additional cords to connect to the same outlet.
- Failure to do so can result in fire or electrical shock.

### ⚠ WARNING!

- DO NOT modify the plug provided with the dryer.** If it does not fit the outlet in your laundry room, a proper outlet will need to be installed in your laundry room by a qualified service person or company.
- Failure to do so can result in fire or electrical shock.

Following are important instructions and information concerning the requirements for the gas supply and service for gas dryers. **⚠ Warning:** The gas supply and service for a gas dryer must comply with all local codes and ordinances. In the absence of any local codes or ordinances in your area, the gas supply and service for your gas dryer must comply with the latest edition of the National Fuel Gas Code, ANSI Z223.1/NFPA 54. Failure to do so can result in death, explosion, or fire.

1. Gas supply requirements: Liquefied Petroleum (L.P.) Gas (2,500 Btu/ft<sup>3</sup> (93.1 MJ/m<sup>3</sup>)) service must be provided at 10 + 1.5 in. water column pressure.
2. Do not attempt to connect the dryer to Liquefied Petroleum (LP Gas) Gas service without a qualified professional.
3. Isolate the dryer from the gas supply piping system by closing its individual manual shut-off valve during any pressure testing of the gas supply system at test pressure equal to or less than 2/1 psi (3.45 kPa).
4. Supply Line Requirements. Your laundry room must have a rigid gas supply line to your dryer. In the United States, an individual manual shutoff valve **MUST** be installed within at least 6 feet (1.8 m) of the dryer, in accordance with the National Fuel Gas Code ANSI Z223.1. A 1/8 in. N.P.T. pipe plug must be installed as shown.
5. If using a rigid pipe, the rigid pipe should be 1/2 inch IPS. If acceptable under local codes and ordinances and when acceptable to your gas supplier, 3/8 inch approved tubing may be used where lengths are less than 20 feet (6.1 m). Larger tubing should be used for lengths in excess of 20 feet (6.1 m). It is also important that you use pipe joint compound that is insoluble in LP gas.
6. To reduce the danger of gas leaks, explosion, and fire, please follow and observe the following **instructions and WARNINGS**.
  - Connect the dryer to the type of gas shown on the nameplate.
  - Use new flexible stainless steel connectors.
  - Use Teflon tape and pipe joint compound insoluble in LP gas on all pipe threads.
  - Purge gas supply of air and sediment before connecting the gas supply to the dryer in order to prevent gas valve contamination. Before tightening connection between gas supply and dryer, purge remaining air until odor of gas is identified.
  - **DO NOT** use an open flame to inspect for gas leaks; instead use a non-corrosive leak detection fluid.

### **⚠ WARNING!**

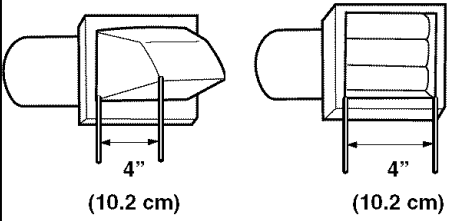
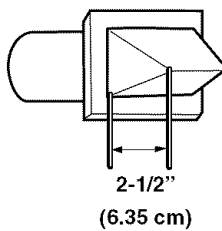
- **DO NOT** attempt any disassembly of the dryer. Any disassembly requires the attention and tools of an authorized and qualified service person or company.
- Failure to do so can result in death, explosion, or fire.

### **⚠ WARNING!**

- Use a new AGA or CSA approved gas supply line.
- Install a shut-off valve.
- Securely tighten all gas connections.
- If connected to LP, have a qualified person make sure gas pressure does not exceed 13 in. water column.
- Examples of a qualified person include licensed heating personnel, authorized gas company personnel, and authorized service personnel.
- Failure to do so can result in death, explosion, or fire.

Following are important instructions and information concerning the exhaust requirements for your dryer.

**⚠ Warning:** DO NOT exhaust dryer air into an enclosed and unventilated area, such as an attic, wall, ceiling, crawl space, chimney, gas vent, or concealed space of a building. To reduce the risk of fire, DO NOT exhaust the dryer with plastic or thin foil Ducting. Failure to do so can result in death, explosion, or fire.

Weather Hood Type	Number of 90° Elbows	Maximum length of 4" (10.2 cm) diameter rigid metal duct	Maximum length of 4" (10.2 cm) diameter flexible metal duct
<p><b>Recommended</b></p> 	0	65 feet (19.8 m)	45 feet (13.7 m)
	1	55 feet (16.8 m)	35 feet (10.7 m)
	2	47 feet (14.3 m)	30 feet (9.1 m)
	3	36 feet (11.0 m)	25 feet (7.6 m)
	4	28 feet (8.5 m)	20 feet (6.1 m)
<p><b>Use Only for Short Run Installations</b></p> 	0	55 feet (16.8 m)	35 feet (10.7 m)
	1	47 feet (14.3 m)	27 feet (8.2 m)
	2	41 feet (12.5 m)	21 feet (6.4 m)
	3	30 feet (9.1 m)	17 feet (5.2 m)
	4	22 feet (6.7 m)	15 feet (4.5m)

**NOTE :** Deduct 6 feet (1.8 m) for each additional elbow.  
It is not recommended to use more than 4 90° elbows.

**Exhaust Requirements and Instructions:**

- Venting materials are not provided with the dryer and you should obtain the necessary venting materials locally. For example, the outer end of exhaust pipe must have a weather hood with hinged dampers to prevent back-draft when the dryer is not in use.
- The exhaust duct must be four inches (10.2 cm) in diameter with no obstructions. The exhaust duct should be kept as short as possible. Make sure to clean any old ducts before installing your new dryer.
- Rigid or semi-rigid metal ducting is recommended for use as transition ducting between the dryer and and the wall. In special installations when it is impossible to make a connection with the above recommendations, then a UL-listed flexible metal transition duct may be used between the dryer and wall connection only. The use of this ducting will affect dry time.
- DO NOT use sheet metal screws on exhaust pipe joints or other fastening means which extend into the duct that could catch lint and reduce the efficiency of the exhaust system. Secure all joints with duct tape.
- To maximize operating results, please observe the duct length limitations noted in the chart above.



### Exhaust and Dryer Maintenance

#### **WARNING!**

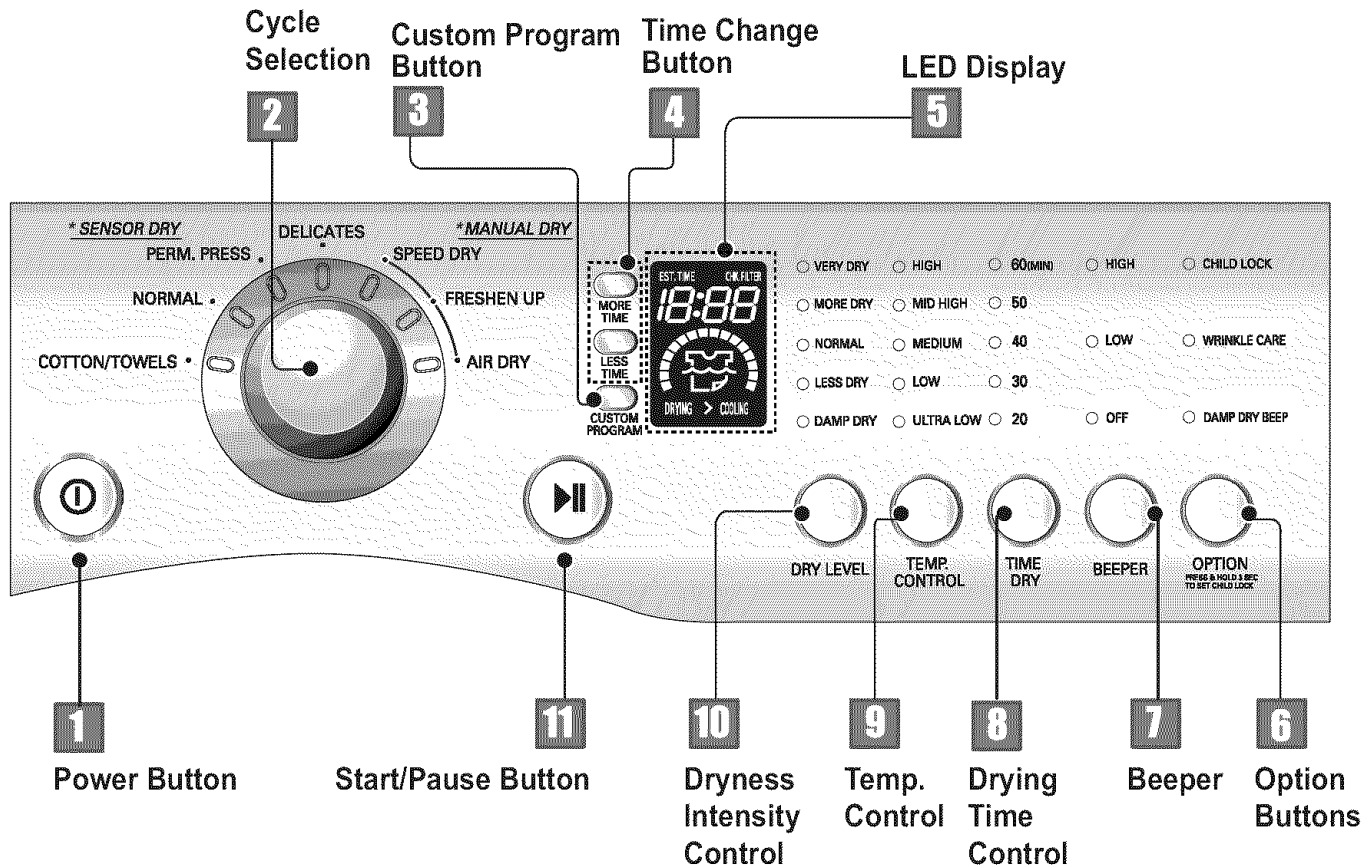
- Disconnect the dryer's electric power prior to any cleaning or maintenance.
- Failure to do so can result in fire or electrical shock.

1. After one year of use, the interior and complete exhaust system of the dryer should be examined and cleaned if necessary.
2. Before one year of use, when drying performance has become unsatisfactory, please examine and clean the exhaust duct for better drying performance.
3. Check the weather hoods frequently to ensure the dampers are moving freely, that the dampers are not pushed in and that nothing has been set against the dampers.
4. A qualified service person or company should be used to perform this maintenance.
5. A Flexible Metal Vent Kit, available at extra cost, can be used to exhaust the dryer when it is placed in hard to reach places. This Kit comes in two pieces, one of which is attached to the dryer and the other is attached to the wall exhaust outlet. Following attachment of the two separate pieces to the dryer and the wall, the dryer may be returned to its final position, after which the two pieces themselves can be connected.
7. Ordinarily, the dryer drum will need no care. Wipe the exterior of the dryer as required, and always wipe the exterior of the dryer in the event any detergent, bleach, or other washing products is spilled on the dryer.
8. Clean the control panel with a damp cloth as necessary. Warning: spray pre-wash products may damage the finish of the control panel.
9. Please clean the lint filter either before drying each load or after drying each load.
10. Always make sure the lint filter is clean before starting a new load, because a clogged lint filter may increase drying times.
11. Annually remove the lint filter and attach it to the vacuum duct. See item #2 above.
12. Please note that the wiring diagram is provided inside the dryer control hood. Label all wires prior to disconnection when servicing the dryer, because wiring errors can cause serious injury to you and your dryer.

### Cleaning the Lint Screen

1. Clean the lint filter either before drying each load or after drying each load. Always make sure the lint filter is clean before starting a new load, because a clogged lint filter may increase drying times.
2. To clean, pull the lint screen straight up and roll any lint off the screen with your fingers. Do not rinse or wash screen to remove lint. Push the lint screen firmly back into place.
3. Always ensure the lint screen is firmly secured before running the dryer. Running the dryer with a loose lint screen may cause overheating and damage to the dryer and articles being dried.
4. Some articles of clothing may shed more lint than others (towels for example), causing the lint screen to fill rapidly. Remove lint from the lint screen before and after drying these articles, such as new towels.
5. In the event lint falls off of the lint screen and into the dryer during removal, inspect the exhaust hood and remove any lint.
6. Laundry detergent and fabric softener residue can build up on the lint screen, causing longer drying times. The screen is likely blocked if lint falls off the screen. In order to prevent this type of build up, and help ensure proper operation of your dryer, clean the lint screen with a nylon brush every six months or, if necessary, more frequently. The lint filter can also be washed as follows:
  - a) After rolling the lint off of the screen with your fingers, wet both sides of the screen with hot or warm water.
  - b) Wet a nylon brush with hot water and liquid detergent and scrub the lint screen with the brush to remove the buildup of detergent and fabric softener.
  - c) After the residue has been removed, rinse screen with hot water.
  - d) After drying the lint screen with a clean towel, firmly replace the lint screen in your dryer.

Following are instructions for starting and using your new dryer. Please refer to specific sections of this manual for more detailed information. Important Warning: To reduce the risk of fire, electric shock, or injury to person, read this entire manual, including the **IMPORTANT SAFETY INSTRUCTIONS**, before operating this dryer.



## **!WARNING!**

### Fire Hazard

- No washer can completely remove oil.
- Do not dry anything that has ever had any type of oil on it (including cooking oils).
- Items containing foam, rubber, or plastic must be air dried.
- Failure to follow these instructions can result in death or fire.

## **!WARNING!**

### Explosion Hazard

- Keep flammable materials and vapors, such as gasoline, away from dryer.
- Do not dry anything that has ever had anything flammable on it (even after washing).
- Failure to follow these instructions can result in death, explosion, or fire.

## **1** Power Button

- Use this button for power on or off.

## 2 Cycle Selection

- Turn the knob to select the desired cycle based on laundry types and conditions.

### 1. Sensor Dry Cycles

Sensor Dry Cycles allow you to match the cycle to the load you are drying. Each cycle dries certain fabrics at the recommended temperature. A sensor detects the moisture in the load and automatically adjusts the drying time for optimal drying

#### Cotton/Towels

Use for drying denims, towels, heavy cottons.

#### Normal

Use for drying sturdy fabrics such as work casual clothes.

#### Perm. Press

Use for permanent press and synthetic items.

#### Delicates

Use for drying synthetic fabrics, washable knit fabrics and no-iron finishes.

Sensor Dry Preset Cycle Settings		
Sensor Dry Cycles Load Type	Temp.	Time* (Minutes)
<b>COTTON/TOWELS</b> Towel, denim pants	Medium High	55
<b>NORMAL</b> Work clothes, corduroys	Medium	41
<b>PERM. PRESS</b> Synthetics , permanent press	Low	36
<b>DELICATES</b> Lingerie, sheets, blouses	Low	32

### 2. Manual Dry Cycles

Use Manual Cycles to select a specific amount of drying time and a drying temperature. When a Manual Cycle is selected, the ESTIMATED TIME REMAINING display shows the actual time remaining in your cycle. You can change the actual time in the cycle by pressing MORE TIME or LESS TIME.

#### Speed Dry

Use for small loads or loads that need a short drying time.

#### Freshen Up

Use this cycle to remove wrinkles from items, such as clothes packed in a suitcase or items wrinkled from being left in the dryer too long.

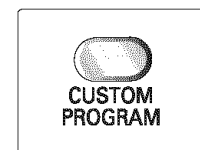
#### Air Dry

Use the Air Dry Modifier for items that require drying without heat such as rubber, plastic and heat-sensitive fabrics.

Manual Preset Cycle Settings		
Manual Dry Cycles Load Type	Temp.	Default Time* (Minutes)
<b>SPEED DRY</b> SMALL LOADS	High	25
<b>FRESHEN UP</b> Remove Wrinkles	Medium High	20
<b>AIR DRY</b>	Air Dry	30

## 3 Custom Program

Set up your favorite combination of settings and save them here for one-touch recall.

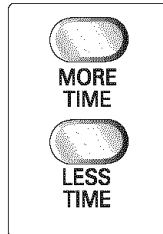


1. Select a cycle.
2. Change DRY LEVEL and TEMP. CONTROL.
3. Select OPTIONS you want.
4. Press and hold the CUSTOM PROGRAM.

**To recall your stored CUSTOM PROGRAM**  
Press CUSTOM PROGRAM button, then press START/PAUSE.

#### 4 Time Change Button

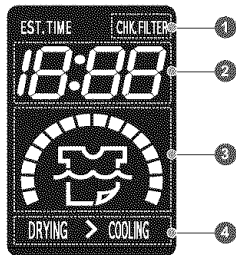
- Press MORE TIME or LESS TIME until the desired drying time is set.



**Note**

Time change button is available only with Manual Dry, Time Dry and Rack Dry programs.

#### 5 LED Display



##### 1. CHECK FILTER REMINDER

The display will show CHECK FILTER when the dryer is turned on as a reminder to check the filter. It turns off when the START/PAUSE button is pressed.

**▲ WARNING!**

- For better drying performance and safety, clean lint filter every single use.
- Failure to follow these instructions can result in death or fire.

##### 2. Estimated Time Remaining

The display shows the estimated time remaining. In addition to this, if the dryer has some problem, it displays error messages.

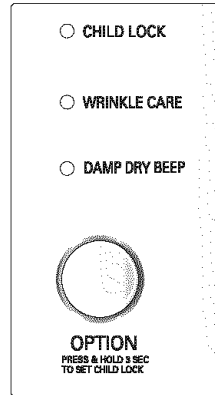
##### 3. CYCLE COMPLETION INDICATOR

Shows how much of the current drying cycle has been completed.

##### 4. STATUS/CYCLE DISPLAY

This portion of the display shows the selected cycle, operating status, and special messages. If a cycle has special instructions, they will also be displayed in this area.

#### 6 Option Buttons



##### 1. Child Lock

Child Lock can be used to prevent your children from changing options on control panel while the dryer is running.

When Child Lock is enabled, all the buttons will be locked and Child Lock glows.

To enable Child Lock, Press and hold OPTION for 3 seconds, A single beep tone is heard and Child Lock is displayed on the status window.

To disable Child Lock, press and hold OPTION for 3 seconds again.



##### 2. Wrinkle Care

This option helps to prevent wrinkles in your laundry.

When you select the wrinkle free option, the dryer will periodically tumble for up to three hours after the cycle has completed.

You can use this option in case you can not remove laundry immediately after drying is done.



##### 3. Damp Dry Beep

When you select the damp dry beep option, a beep will alert you when your load is approximately 80% dry.

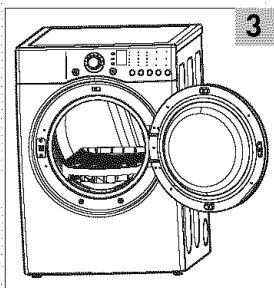
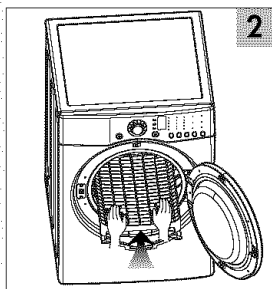
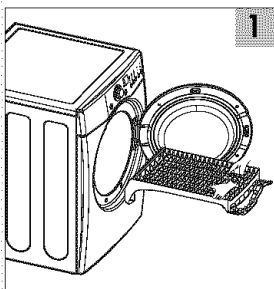
This notice will allow you to remove lightweight items that are dry or other items that you may wish to iron.

**4. Rack Dry**

Rack Dry is designed for use with items which are not designed for tumble drying such as sweaters, silk or lingerie.

Sneakers also will dry well with this option.

**To use the RACK DRY**



1. Open the door.  
Hold the dryer rack with both hands.
2. Put the dryer rack into the drum.
3. Make sure Dryer RACK is evenly spaced right onto the drum inside and door rim.

**Note**

Don't use the rack for normal tumble drying. The rack is shipped in place in your dryer so remove rack for normal laundry.

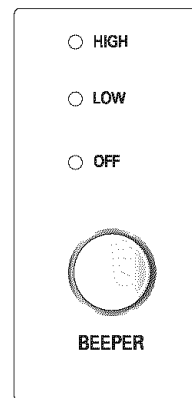
Suggested Items for Rack Drying	Temperature Setting	Suggested Time* (Minutes)
Washable wool items	Low	20
Stuffed toys with cotton or polyester fiber filling	Low/Ultra Low	20/30
Stuffed toys, foam rubber filled.	Air Dry/ Ultra Low	50/30
Foam rubber pillows	Air Dry	50
Athletic shoes	Air Dry	20

\* Reset time as needed to complete drying.

**7. Beeper**

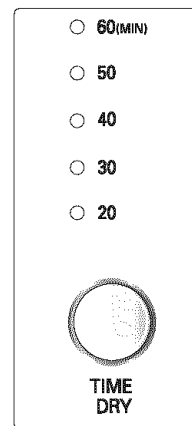
The BEEPER controls the volume of the beep that is made when you press any of the buttons on the control panel.

Press BEEPER to adjust the sound level or turn off the signal.



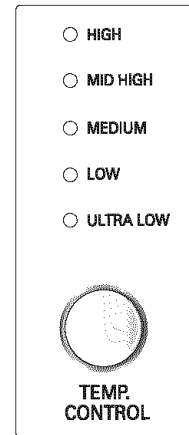
**8. Time Dry**

Use Time Dry Option to change Drying Time on your own. You can select the desired operation time manually by pressing Time Dry button between 20 to 60 minutes.



**9. Temp. Control**

Use Temp. Control Option to select temperatures for the Manual Cycles. Press TEMP. CONTROL until the desired temperature setting glows. Temperature modifiers cannot be used with the Sensor Dry Cycles.



**When Using Air Dry**

This chart shows examples of items that can be dried using AIR DRY.

Type of Load	Default Time* (Minutes)
Foam rubber-pillows, padded bras, stuffed toys	20 - 30
Plastic shower curtains, tablecloths	20 - 30
Rubber-backed rugs	40 - 50
Olefin, polypropylene, shear nylon	10 - 20

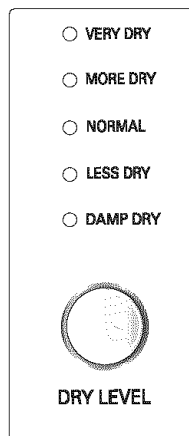
Reset cycle to complete drying, if needed.

- Check to see that coverings are securely stitched.
- Shake and fluff pillows by hand periodically during the cycle.
- Dry item completely. Foam rubber pillows are slow to dry.

**NOTE:** Air Dry is not available with Sensor Dry Cycles.

**10 Dry Level**

- Use these buttons to set dry level
- First, select sensor dry cycle.
- Select dry level to adjust how much you want to dry the load. As the cycle runs, the control senses the dryness of the load and adjusts the time automatically based on the selected dryness level.



**Note**

**DRY LEVEL selections can only be made while using Sensor Dry Cycles. Selecting MORE Dry or LESS Dry automatically adjusts the needed time which is already sensed.**

**11 Start / Pause Button**

- Use this button for start or pause.

**Starting your dryer**

**1. Before use**

- Clean lint screen before or after each cycle.
- Place laundry into dryer and shut door. See Loading.
- Turn the knob to select the drying cycle you want. The preset setting for Sensor Dry Cycles or Manual Cycles will glow. The estimated or actual cycle time (in minutes) will show in the display.

Following are sample loads for Super Capacity Dryers:	
<b>Heavy Work Clothes</b>	
4 jeans	2 sweatpants
4 workpants	2 sweatshirts
4 work shirts	
<b>Cotton/Towels</b>	
10 bath towels	14 wash cloths
10 hand towels	
<b>Mixed Load</b>	
3 sheets (1 king, 2 twin)	9 T-shirts
4 pillowcases	9 shorts
3 shirts	10 handkerchiefs
3 blouses	

**2. Loading**

- Determine load size by the amount of space the load requires rather than the weight of the load.
- Avoid overloading the dryer. Following these instructions can help reduce your utility bill, prolong the life of your clothes, and decrease the likelihood of uneven drying and wrinkle.

**3. To use a sensor dry cycle**

- **Select DRY LEVEL** to adjust how dry you want the load. As the cycle runs, the control senses the dryness of the load and adjusts the time automatically for the selected dryness level.
- **Select** the desired options.
- Press START/PAUSE

**Note**

**DRY LEVEL selections can only be made while using Sensor Dry Cycles. Selecting MORE Dry or LESS Dry automatically adjusts the sensed time needed.**

**4. To use a manual dry cycle**

- Select a Manual Dry Cycle.
- Press MORE TIME or LESS TIME until the desired drying time is displayed. Tap MORE TIME or LESS TIME and the time will change by 1 minute interval.

**Note**

The MORE TIME or LESS TIME feature can be used with Manual Dry, Time Dry and Rack Dry Cycles.

- Press TEMP. CONTROL until the desired temperature indicator glows.
- (OPTIONAL STEP) If desired, select OPTIONS. For more details, see Options.
- Press START/PAUSE. Be sure the door is closed.
- If you do not press START/PAUSE within 10 minutes of selecting the cycle, the dryer automatically shuts off.
- If you wish to end your drying cycle after pressing START/PAUSE, press START/PAUSE again.

**To stop your dryer at any time**

Press START/PAUSE or open the door.

**5. Pausing or restarting**

- To pause the dryer at any time:  
Open the door or press START/PAUSE.
- To restart the dryer  
Close the door. Press START/PAUSE.

**Note**

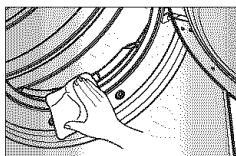
Drying will continue from where the cycle was interrupted if you close the door and press START within 10 minutes. If the cycle is interrupted for more than 10 minutes, the dryer will shut off. Select new cycle settings before restarting the dryer.

**Maintenance****Clean lint filter**

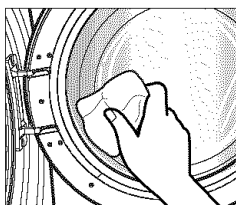
Clean the lint filter after each use and check it before use. Not cleaning or emptying the filter will increase drying time and energy consumption, therefore dryer life expectancy could be shortened after all.

**■ Clean the door and its opening**

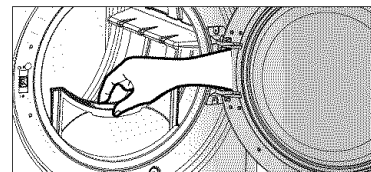
1. Wipe out the door opening. Otherwise, build-ups of dirty and foreign objects will damage sealing of door.



2. Clean the transparent glass door to keep inside view clear through the glass.

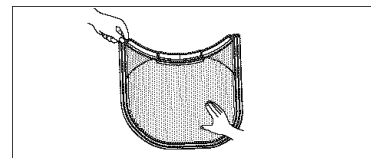


1. Open the door and pull the filter straight up.

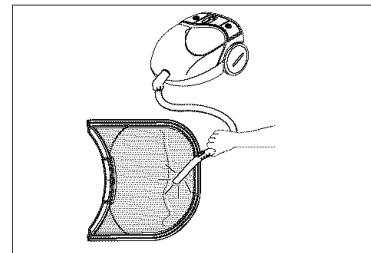


2. Clean the filter using one of the following methods.

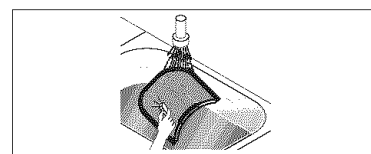
- ① Run the fingers across the filter.



- ② Vacuum the lint filter.



- ③ Wash the lint screen in warm, soapy water. Dry thoroughly and replace.



## Troubleshooting Tips

Save time and money! Review the charts on the following pages first and you may not need to call for service.

**1. Problem: My Dryer Won't Start**

Question	What to Do
• Is the dryer plugged in?	Confirm that the dryer's plug is securely and completely pushed into the laundry room's power outlet.
• Is the fuse blown, or is the circuit breaker tripped?	Check your home's or laundry room's fuse box/circuit breaker box and replace the fuse or reset the circuit breaker. (IMPORTANT: electric dryers generally use two fuses or breakers.)

**2. Problem: My Dryer Doesn't Heat**

Question	What to Do
• Is the fuse blown, or is the circuit breaker tripped?	If the fuse is blown or the circuit breaker tripped, the dryer might tumble but not heat. Check your home's or laundry room's fuse box/circuit breaker box and replace the fuse or reset the circuit breaker. (IMPORTANT: electric dryers generally use two fuses or breakers.)
• Is the gas supply or service blocked or off?	Confirm that the house gas shutoff and the dryer gas shutoff are both fully open.

**3. Problem: There Are Greasy Spots On My Clothes.**

Question	What to Do
• Did you follow the instructions on your fabric softener product?	Confirm and follow the instructions provided with your fabric softener product.
• Are you drying clean and dirty clothes together?	Make sure to use your dryer to dry only clean items, because dirty items can soil clean clothes placed in the same load or later placed in the dryer drum.
• Were your clothes entirely clean?	Stains on dried clothes are actually stains that weren't cleansed during the washing process. Please review and confirm that you are following your washing instructions and that the clothes are being completely cleaned.

**4. Problem: My Dryer Displayed An Error Code.**

Question	What to Do
tE1	It is displayed when thermistor is open. In this case, thermistor should be replaced and call a service center.
tE2	It is displayed when thermistor is shorted. In this case, thermistor should be replaced by a service center.

**5. Problem: There Is Lint On My Clothes**

Question	What to Do
• Is your lint filter full?	Please refer to the manual section on cleaning the lint filter, and please confirm that the lint filter is clean. It is important that the lint filter is clean before each new load of laundry.
• Did you properly sort your load of laundry?	In order to reduce the amount of lint in a load of laundry, sort lint producers (like a fuzzy white cotton towel) separately from clothes that might catch lint (such as a pair of black linen pants).
• Do your clothes have excess static electricity?	See comments below under: There Is Static In My Clothes After Drying.
• Did you overload your dryer?	Divide your larger load into smaller loads.
• Did you place any paper, tissue, or other similar material in the load?	Sometimes a person might forget to take a piece of paper or a tissue out of a pocket, and this paper, tissue, or similar material can cause excess lint in a load of laundry. Confirm that the pockets of pants, shirts, and other articles of clothing are empty before washing and drying.

**6. Problem: There Is Static In My Clothes After Drying**

Question	What to Do
• Did you use fabric softener?	Try using a fabric softener to reduce static electricity.
• Did you over dry the load of laundry?	Over-drying a load of laundry can cause a build up of static electricity. Try using a fabric softener or adjust your settings and use a shorter drying time.
• Are you drying synthetic, permanent press and blends?	These materials can cause static to build up in a load of dried clothes. Try using a fabric softener.

**7. Problem: The Drying Time Is Not Consistent**

Question	What to Do
• Are you using consistent heat settings and consistent load sizes?	The drying time for a load will vary depending on the heat setting, the type of heat used (electric, natural or LP gas), the size of the load, the type of fabrics, the wetness of the clothes and the condition of the exhaust ducts and lint filter.

**8. Problem: Water Is Found Around The Cabinet Cover When Opening The Door.**

Question	What to Do
• Is water found around cabinet cover when opening the door?	It is not out of order because this is condensed moisture by drying.

**9. Problem: It Takes Too Long For My Clothes To Dry**

Question	What to Do
• Did you properly sort your loads of laundry?	Separate heavy weight items from light weight items when creating loads.
• Are you drying large loads of heavy fabrics?	Heavy fabrics take longer to dry because they tend to retain more moisture. To help reduce and maintain more consistent drying times for large and heavy fabrics, separate these items into smaller loads of a consistent size.
• Are the dryer controls properly set?	Use the appropriate control settings for the type of load you are drying.
• Is the lint filter clean before each new load of laundry?	Please confirm that the lint filter is clean prior to each new load of laundry.
• Are the exhaust ducts clear and properly configured?	Confirm through review of the appropriate sections of this manual that the exhaust venting ductwork is properly configured. Confirm that the venting is free of obstructions. Confirm that the outside wall dampers are moving freely, that the dampers are not pushed in, and that nothing has been set against the dampers.
• Is the fuse blown, or is the circuit breaker tripped?	Check your home's or laundry room's fuse box/circuit breaker box and replace the fuse or reset the circuit breaker. (IMPORTANT: electric dryers generally use two fuses or breakers.)
• Did you overload your dryer?	Divide your larger load into a number of smaller loads.
• Did you under load your dryer?	If you are only drying a handful of items, add a few extra pieces to help ensure proper tumbling action.

**10. Problem: My Clothes Are Wrinkled**

Question	What to Do
• Are you over drying your laundry?	Over drying a load of laundry can lead to wrinkled clothes. Try a shorter drying time, and remove items while they still retain a slight amount of moisture.
• Are you removing your laundry from the dryer soon after the drying cycle is complete?	Remove your laundry from the dryer after the drying cycle ends and either hang or fold the items.

**11. Problem: My clothes are shrinking**

Question	What to Do
• Are you following the care instructions for your garment?	To avoid shrinkage, please carefully follow the care and use instructions for your garment, because some fabrics will naturally shrink when washed. Other fabrics can be washed but will shrink when dried in a dryer.

**12. Problem: RLM (Remote Laundry Monitor)**

Question	What to Do
• RLM problem	See the Owner's Manual of RLM & PLC modem.



# LG DRYER LIMITED WARRANTY – USA



## LG ELECTRONICS, INC. LG Dryer Limited Warranty - USA

Your LG Dryer will be repaired or replaced, at LG's option, if it proves to be defective in material or workmanship under normal use, during the warranty period ("Warranty Period") set forth below, effective from the date ("Date of Purchase") of original consumer purchase of the product. This limited warranty is good only to the original purchaser of the product and effective only when used in the United States, including Alaska, Hawaii, and U.S. Territories.

### WARRANTY PERIOD:

**LABOR: One Year** from the Date of Purchase.

**PARTS: One Year** from the Date of Purchase.

Replacement Units and Repair Parts may be new or factory remanufactured.

Replacement Units and Repair Parts are warranted for the remaining portion of the original unit's warranty period.

### HOW SERVICE IS HANDLED:

**In-Home Service:** Please retain dealer's dated bill of sale or delivery ticket as evidence of the Date of Purchase for proof of warranty, and submit a copy of the bill of sale to the service person at the time warranty service is provided.

**Please call 1-800-243-0000 and choose the appropriate option to locate your nearest LG Authorized Service Center.** (Phones are answered 24 hours a day, 365 days per year.)

Or visit our website at: <http://www.lgservice.com>

**THIS WARRANTY IS IN LIEU OF ANY OTHER WARRANTY, EXPRESS OR IMPLIED, INCLUDING WITHOUT LIMITATION, ANY WARRANTY OF MERCHANTABILITY OR FITNESS FOR A PARTICULAR PURPOSE. TO THE EXTENT ANY IMPLIED WARRANTY IS REQUIRED BY LAW, IT IS LIMITED IN DURATION TO THE EXPRESS WARRANTY PERIOD ABOVE. NEITHER THE MANUFACTURER NOR ITS U.S. DISTRIBUTOR SHALL BE LIABLE FOR ANY INCIDENTAL, CONSEQUENTIAL, INDIRECT, SPECIAL, OR PUNITIVE DAMAGES OF ANY NATURE, INCLUDING WITHOUT LIMITATION, LOST REVENUES OR PROFITS, OR ANY OTHER DAMAGE WHETHER BASED IN CONTRACT, TORT, OR OTHERWISE.** Some states do not allow the exclusion or limitation of incidental or consequential damages or limitations on how long an implied warranty lasts, so the above exclusion or limitation may not apply to you. This warranty gives you specific legal rights and you may also have other rights that vary from state to state.

### **THIS LIMITED WARRANTY DOES NOT APPLY TO:**

Service trips to your home to deliver, pick up, and/or install the product, instruct, or replace house fuses or correct wiring, or correction of unauthorized repairs.

Damages or operating problems that result from misuse, abuse, operation outside environmental specifications or contrary to the requirements of precautions in the Operating Guide, accident, vermin, fire, flood, improper installation, acts of God, unauthorized modification or alteration, incorrect electrical current or voltage, or commercial use, or use for other than intended purpose.

The cost of repair or replacement under these excluded circumstances shall be borne by the consumer.

### **CUSTOMER INTERACTIVE CENTER NUMBERS**

To obtain Customer Assistance, Product Information, or Dealer or Authorized Service Center location:

Call **1-800-243-0000** (24 hours a day, 365 days per year) and select the appropriate option from the menu.

Or visit our website at: <http://www.lgservice.com>

### **TO CONTACT LG ELECTRONICS BY MAIL:**

LG Customer Interactive Center  
P. O. Box 240007  
201 James Record Road  
Huntsville, Alabama 35824  
ATTN: CIC



**☎ 1-800-243-0000**

para el Servicio LG (Atención al Cliente) 24 horas al día, 7 días a la semana

# **MANUAL DEL PROPIETARIO**

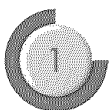
## **Secadora de Eléctrica y Gas**

**DLE3733W / DLG3744W**

**DLE3733S / DLG3744S**

Gracias por comprar una Secadora LG. Por favor lea su manual correctamente, ya que contiene información importante de una instalación segura, Uso y mantenimiento. Guarde el modelo y número de serie y conserve su manual para futuras referencias. Para más información, visite nuestro sitio web <http://us.lge.com>

# CARACTERÍSTICAS DEL PRODUCTO



## DESEMPEÑO EXTRAORDINARIO

Sin mencionar su incomparable gran capacidad, puede beneficiarse por su Eficiencia en tiempo, operación silenciosa y su sistema de ahorro de energía



## CUVE EN ACIER À DOUBLE ENDUIT

Enduit avec une couche de métal enduit et une autre couche de polymère afin d'assurer la durabilité et une longue vie.



## DISEÑO ARTÍSTICO

El moderno Diseño del Panel Frontal y su gran puerta de cristal hacen que su hogar se vea con más estilo.



## CUIDADO DIGITAL

El calentador controla las temperaturas Multi-niveles cuidando mejor sus prendas más preciadas



## USO SENCILLO

Una amplia selección de funciones de uso amigables siempre lo harán sentirse más comfortable con las operaciones de su secadora.

### Qué significa secado por sensor o secado por tiempo?

Su secadora le proporciona la posibilidad de programar acciones de secado por sensor o por tiempo.

#### Secado por sensor

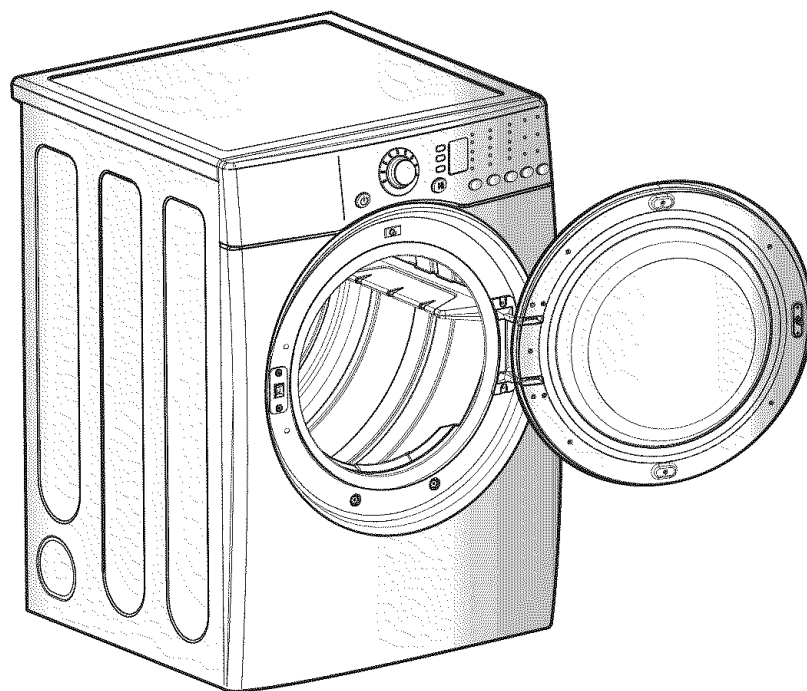
La secadora detectará automáticamente la humedad de la colada y determinará el tiempo de funcionamiento necesario basándose en el nivel de sequedad de la carga y el programa seleccionado. En ocasiones, podrá observar un incremento o disminución repentinos del tiempo de operación. Si esto ocurriera, será debido a que el sensor detecta la humedad de la colada dentro de un período de tiempo determinado. Un cambio repentino en el tiempo de operación no significa un mal funcionamiento.

#### Secado por tiempo

Significa que puede programar el tiempo de operación manualmente para completar el secado. Alternativamente, puede usar esta función para secar la ropa si las prendas aún están húmedas pese a haber terminado un ciclo de secado. El secado por tiempo es más efectivo cuando tenga prendas pesadas u objetos voluminosos como sábanas de camas tamaño superdoble o ropa de trabajo gruesa.

# CONTENIDO

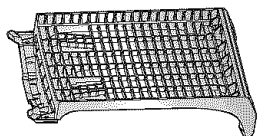
PARTE 1. ESPECIFICACIONES.....	3
PARTE 2. GARANTÍA E INSTRUCCIONES DE SEGURIDAD IMPORTANTES .....	4
PARTE 3. PASOS INICIALES PARA LA INSTALACIÓN DE SU SECADORA.....	11
PARTE 4. INSTALACIÓN DE ACCESORIOS.....	17
PARTE 5. REQUERIMIENTOS ELÉCTRICOS PARA SECADORA ELÉCTRICAS.....	19
PARTE 6. REQUERIMIENTOS ELÉCTRICOS PARA SECADORAS A GAS.....	23
PARTE 7. REQUERIMIENTOS E INSTRUCCIONES SOBRE EL GAS .....	24
PARTE 8. REQUERIMIENTOS Y MANTENIMIENTO SOBRE EL ESCAPE.....	25
PARTE 9. USANDO SU SECADORA .....	27
PARTE 10. GUÍA PARA LA SOLUCIÓN DE PROBLEMAS.....	33
GARANTÍA LIMITADA DE LA SECADORA LG .....	36



- Nombre : Secadora Eléctrica y de Gas
- Suministro de Energía : Favor de consultar la etiqueta de medición referente a la información detallada
- Tamaño : 27 x 29.9 x 38.7(inch)
- Capacidad de la Secadora : IEC 7.3 cu.ft. (22.5 lb)
- Peso : 126 lbs (57.2 kg)

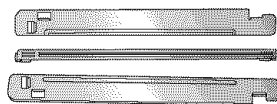
\* Las especificaciones son sujetas a cambio por el fabricante.

■ ACCESORIOS



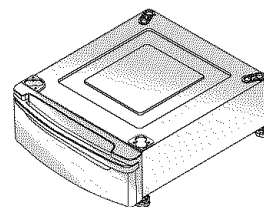
Parrilla de secado  
comprado separadamente

*Vea la página 28 para su uso*



Kit para Apilar  
comprado separadamente

*Vea la página 15 para su uso*



Pedestal  
comprado separadamente

*Vea la página 16 para su uso*

## BÚSQUEDA DE ASISTENCIA SOBRE LA GARANTÍA

Encontrará la garantía de su secadora en la parte final de este manual. El servicio de garantía está disponible contactando con su Centro de Servicio LG más próximo. Si este producto se instala y se opera siguiendo las instrucciones de este manual, LG reparará o recambiará cualquier pieza defectuosa en material o mano de obra a lo largo del período cubierto por la garantía, comenzando desde el día de compra.

**⚠ ADVERTENCIA!** Para su seguridad, debe seguir las recomendaciones de este manual. Para reducir el riesgo de incendio o explosión, o choque eléctrico, o para prevenir daños a la propiedad, lesiones personales, o muerte cuando use su artefacto, siga las precauciones básicas, incluyendo las siguientes.

**Restricción de la Garantía :** Si la secadora es utilizada para otro propósito que no sea el uso familiar privado, toda cobertura de la garantía es efectiva por sólo 90 días.

Necesitará el número de modelo y de serie completo al solicitar la garantía de servicio. Es necesaria la prueba de la compra (ticket o recibo).

Utilice el siguiente espacio para anotar el número de modelo y de serie de su nueva secadora LG.

Modelo Número \_\_\_\_\_

Número de Serie \_\_\_\_\_

Fecha de Adquisición \_\_\_\_\_

\* Tenga a mano su ticket de compra por comodidad al contactar con el servicio de atención al cliente.

**LEA TODAS LAS INSTRUCCIONES ANTES DE UTILIZAR**

**⚠ ADVERTENCIA** Por su seguridad, la información de este manual debe seguirse para reducir al mínimo el riesgo de incendio o explosión, descargas eléctricas, o para evitar daños a la propiedad, lesiones personales o pérdida de vida humana.

**Su seguridad y la de otros es muy importante.**

Hemos incluido muchos mensajes de seguridad importantes en este manual y en el aparato. Lea y cumpla en todos los casos estos mensajes de seguridad.



Éste es el símbolo de alerta de seguridad. Este símbolo le alerta de los peligros que podrían matarle a usted o a otros. Todos los mensajes de seguridad aparecerán después del símbolo de alerta y la palabra "PELIGRO" o "ADVERTENCIA".

Estas palabras significan:

**⚠ PELIGRO** Si no cumple con las instrucciones de inmediato puede correr peligro de muerte o de lesiones graves.

**⚠ ADVERTENCIA** No cumplir las instrucciones puede ocasionarle la muerte o lesiones graves.!!

Todos los mensajes de seguridad le informarán de peligros potenciales, cómo reducir las posibilidades de riesgo, y le informarán qué pasaría si no se siguen las instrucciones.

**PRECAUCIONES BÁSICAS DE SEGURIDAD.**

**⚠ ADVERTENCIA** Para reducir el riesgo de incendio, descarga eléctrica o daños a usuarios del aparato, siga las precauciones básicas, incluidas las siguientes:

- Lea todas las instrucciones antes de usar la secadora.
- Antes de usar, la secadora debe instalarse correctamente según lo descrito en este manual.
- No introduzca artículos expuestos a aceites de cocina en su secadora. Los artículos contaminados con aceites de cocina pueden contribuir a una reacción química que podría provocar una carga y ocasionar un incendio. No seque artículos que previamente se hayan limpiado, lavado, empapado, o se hayan manchado con gasolina, disolventes de la limpieza en seco, otras sustancias inflamables o explosivas puesto que emiten vapores que podrían provocar ignición o estallar.
- No toque la secadora si el tambor se está moviendo.
- No repare ni substituya ninguna pieza de la secadora y no intente realizar tareas de mantenimiento a menos que se recomiende específicamente en esta Guía de cuidado y Uso o en las instrucciones publicadas de reparación por parte del usuario que usted entienda y esté capacitado para llevar a cabo.
- No trate de forzar los controles.
- Antes de sacar de servicio a la secadora o deshacerse de ella, quite la puerta del compartimiento de secado..
- No permita que otros niños jueguen cerca de la secadora. Es necesario supervisar estrechamente a los niños cuando la secadora se utilice cerca de ellos.
- No utilice suavizadores o productos para eliminar la estática excepto cuando sea recomendado por el fabricante del suavizador o del producto.
- No utilice calor para secar artículos que contengan caucho de espuma o materiales de textura similar al caucho.
- Mantenga el área circundante a la abertura del escape y de los alrededores libre de la acumulación de la pelusa, del polvo, y suciedad.
- Personal de servicio cualificado debe limpiar el interior de la secadora y del escape periódicamente.
- No instale ni almacene la secadora en un lugar en el cual quede expuesta a las condiciones atmosféricas.
- No toque la secadora mientras las piezas se estén moviendo.
- Compruebe siempre el interior de la secadora para verificar si hay objetos extraños.
- Limpie la pelusa de la pantalla antes o después de cada carga.

**GUARDE ESTAS INSTRUCCIONES**



## LEA TODAS LAS INSTRUCCIONES ANTES DE UTILIZAR

**⚠ ADVERTENCIA** Por su seguridad, la información de este manual debe seguirse para reducir al mínimo el riesgo de incendio o explosión, descargas eléctricas, o para evitar daños a la propiedad, lesiones personales o pérdida de vida humana.

- No guarde ni use gasolina ni otros vapores inflamables ni líquidos en las cercanías de este u otro electrodoméstico.
- La instalación y el servicio se deben ser llevadas a cabo por parte de un instalador cualificado, agencia de servicio, o el suministrador del servicio de gas.

### PRECAUCIONES BÁSICAS DE SEGURIDAD.

**⚠ ADVERTENCIA** Para reducir el riesgo de incendio, descarga eléctrica o daños a usuarios del aparato, siga las precauciones básicas, incluidas las siguientes:

#### INSTRUCCIONES PARA LA TOMA A TIERRA

Este aparato debe tener una toma a tierra adecuada. En caso de un mal funcionamiento o avería, disponer de toma a tierra reducirá el riesgo de descargas eléctricas proporcionando una trayectoria de menor resistencia para la corriente eléctrica. Este aparato debe ir equipado con un cable que tenga un conductor de toma a tierra del equipo y un enchufe con toma a tierra. El enchufe debe ir conectado en un tomacorriente apropiado debidamente instalado y con una toma a tierra que cumpla todos los códigos y ordenanzas locales.

**ADVERTENCIA** - La conexión incorrecta del conductor de toma a tierra del equipo puede dar lugar a un riesgo de descarga eléctrica. Compruebe con un electricista cualificado o un personal del servicio si duda de si el aparato dispone de una toma a tierra correcta. No modifique el enchufe proporcionado con el aparato. Si no cabe el enchufe en el tomacorriente, solicite a un electricista cualificado la instalación de un enchufe apropiado. Este aparato debe conectarse a un metal con toma a tierra, sistema permanente de cableado o debe tenderse un conductor de toma a tierra del equipo con conductores del circuito y conectarse al terminal de toma a tierra del equipo o hacia el aparato.

**LEA TODAS LAS INSTRUCCIONES ANTES DE UTILIZAR**

**⚠ ADVERTENCIA** Por su seguridad, la información de este manual debe seguirse para reducir al mínimo el riesgo de incendio o explosión, descargas eléctricas, o para evitar daños a la propiedad, lesiones personales o pérdida de vida humana.

**QUÉ A HACER SI HUELE GAS**

**⚠ ADVERTENCIA** Para reducir el riesgo de incendio, descarga eléctrica o daños a personas al utilizar el aparato, siga las precauciones básicas, incluidas las siguientes:

- 1. No intente encender un fósforo ni un cigarrillo, ni ponga en marcha ningún aparato de gas o eléctrico.
- 2. No toque ningún interruptor eléctricos. No utilice ningún teléfono de su edificio.
- 3. Despeje la sala, el edificio, o el área de todos los inquilinos.
- 4. Llame inmediatamente a su suministrador de servicio de gas utilizando el teléfono de un vecino. Siga el teléfono del suministrador del servicio de gas. Siga las instrucciones del suministrador del servicio de gas.
- 5. Si no puede ponerse en contacto con su suministrador del servicio de gas, llame al cuerpo de bomberos.

**LEY EN VIGOR SOBRE LA TOXICIDAD Y POTABILIDAD DEL AGUA EN CALIFORNIA**

**⚠ ADVERTENCIA** Para reducir el riesgo de incendio, descarga eléctrica o daños a personas al utilizar el aparato, siga las precauciones básicas, incluidas las siguientes:

Esta ley requiere al gobernador de California publicar una lista de las sustancias cancerígenas conocidas al Estado, defectos de nacimiento, u otros daños al sistema reproductivo y obliga a las empresas a advertir a sus clientes de la posible exposición a tales sustancias.

Los aparatos que usen gas pueden causar exposiciones de pequeña importancia con cuatro de estas sustancias: benceno, dióxido de carbono, formaldehído, y hollín, causadas primordialmente por la combustión incompleta del gas natural o de combustibles del LP

Las secadoras con ajustes correctos reducirán al mínimo la combustión incompleta. La exposición a estas sustancias puede ser reducida al mínimo aún más mediante la ventilación correcta de la secadora al aire libre.



## **LEA TODAS LAS INSTRUCCIONES ANTES DE UTILIZAR**

**⚠ ADVERTENCIA** Por su seguridad, la información de este manual debe seguirse para reducir al mínimo el riesgo de incendio o explosión, descargas eléctricas, o para evitar daños a la propiedad, lesiones personales o pérdida de vida humana.

### **INSTRUCCIÓN DE SEGURIDAD PARA LA INSTALACIÓN**

**⚠ ADVERTENCIA** Para reducir el riesgo de incendio, descarga eléctrica o daños a usuarios del aparato, siga las precauciones básicas, incluidas las siguientes:

- **La secadora, con toma a tierra adecuada, debe cumplir con todos los códigos y ordenanzas en vigor. Siga los detalles de las instrucciones de instalación.**

Puede ocurrir una descarga eléctrica si la secadora no dispone de una toma a tierra correcta.

- **Antes de usar, la secadora debe instalarse correctamente según lo descrito en este manual.**

Puede ocurrir una descarga eléctrica si la secadora no dispone de una toma a tierra correcta.

- **Instale y almacene la secadora donde no quede expuesta a las temperaturas bajo cero ni a la intemperie.**

Todas las reparaciones y el mantenimiento deben ser realizadas por un técnico de servicio autorizado excepto allí donde esta Guía del propietario lo recomiende de otra manera. Utilice solamente piezas autorizadas de fábrica. No seguir esta advertencia puede causar lesiones serias, un incendio, un descarga eléctrica o incluso la muerte.

- **No instale la lavadora en espacios húmedos para reducir el riesgo de descarga eléctrica.**

No seguir esta advertencia puede causar lesiones serias, un incendio, un descarga eléctrica o incluso la muerte.

- **Conecte a un circuito de la potencia nominal correcta, protegido, y con la potencia adecuada para evitar una sobrecarga eléctrica.**

Un circuito incorrecto puede derretirse, creando una descarga eléctrica y/o riesgo de incendios.

- **Quite todos los artículos del embalaje y elimine todos los materiales de envío correctamente**

No hacerlo podría ocasionar la muerte, una explosión o quemaduras.

- **Coloque la secadora por lo menos 18 pulgadas sobre el piso en el caso de una instalación en un garaje.**

No hacerlo podría ocasionar la muerte, una explosión o quemaduras.

**LEA TODAS LAS INSTRUCCIONES ANTES DE UTILIZAR**

**⚠ ADVERTENCIA** Por su seguridad, la información de este manual debe seguirse para reducir al mínimo el riesgo de incendio o explosión, descargas eléctricas, o para evitar daños a la propiedad, lesiones personales o pérdida de vida humana.

**INSTRUCCIÓN DE SEGURIDAD PARA LA INSTALACIÓN (CONT.)**

**Escape/Conducto:**

- Las secadoras de gas **SE DEBEN** conducir su escape al exterior.

No seguir estas instrucciones puede dar lugar a un incendio o incluso la muerte.

- El dispositivo de escape de la secadora se debe canalizarse al exterior de la vivienda.

Si la secadora no conduce su escape al exterior, se expulsará el área al área del lavadero algo de pelusa fina y grandes cantidades de humedad. Una acumulación de pelusa en cualquier área del hogar puede crear un riesgo a la salud y de incendios.

- Utilice solamente un conducto de metal rígido o metal flexible de 4 pulgadas con un diámetro en el interior del armario de la secadora o para conducir el escape al exterior.

El uso de plástico o de otro conducto combustible puede causar un incendio. La existencia de orificios en el conducto puede causar un incendio si queda atrapado en funcionamiento o durante la instalación

- Se recomienda el uso entre la secadora y la pared de un conducto rígido o semirrígido. En especial, en aquellas instalaciones en las que sea imposible realizar una conexión siguiendo las recomendaciones antedichas, puede utilizarse un conducto de transición metal flexible de norma UL entre la secadora y la conexión de la pared solamente. El uso de este tipo de conducto afectará al tiempo de secado.

No seguir estas instrucciones puede dar lugar a un incendio o incluso la muerte.

- El conducto no se entrega con la secadora. Usted es el responsable de instalar el conducto necesario en el lugar de instalación. La tapa del extremo debe disponer de abisagrades con amortiguación para evitar corrientes de aire a contraviento cuando la secadora esté parada.

No seguir estas instrucciones puede dar lugar a un incendio o incluso la muerte.

- El conducto del escape debe tener 4 pulgadas (10 centímetros) de diámetro sin obstrucciones.

El conducto del escape debe ser lo mas corto posible. Cerciórese de limpiar cualquier viejo conducto antes de instalar su nueva secadora.

No seguir estas instrucciones puede dar lugar a un incendio o incluso la muerte.

- NO utilice los tornillos del metal de hoja u otros amarres que se extienden al conducto puesto que podrían recoger pelusa y reducir la eficiencia del dispositivo de escape. Asegure todas las juntas con cinta para conductos. Para más detalles, siga las instrucciones de instalación.

No seguir estas instrucciones puede dar lugar a un incendio o incluso la muerte.

## LEA TODAS LAS INSTRUCCIONES ANTES DE UTILIZAR

**⚠ ADVERTENCIA** Por su seguridad, la información de este manual debe seguirse para reducir al mínimo el riesgo de incendio o explosión, descargas eléctricas, o para evitar daños a la propiedad, lesiones personales o pérdida de vida humana.

### INSTRUCCIÓN DE SEGURIDAD PARA LA CONEXIÓN DE ELECTRICIDAD

**⚠ ADVERTENCIA** Para reducir el riesgo de incendio, descarga eléctrica o daños a usuarios del aparato, siga las precauciones básicas incluidas las siguientes:

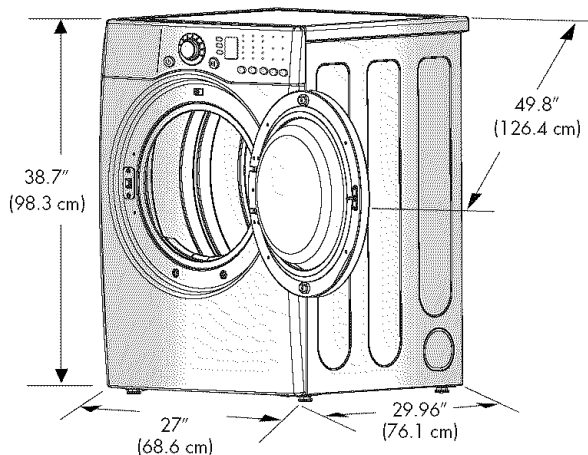
- **Bajo ninguna circunstancia deberá cortar o eliminar la tercera patilla (de toma a tierra) del cable de alimentación.**  
Para evitar lesiones personales o daños a la secadora, el cable de corriente eléctrica se ir conectado debidamente y contar con una toma a tierra adecuada.
- **Por su seguridad personal, esta secadora ha de tener una toma a tierra adecuada.**  
No hacerlo podría ocasionar descargas eléctricas o lesiones.
- **Consulte las instrucciones de instalación de este manual para los requisitos eléctricos específicos de su modelo.**  
No seguir estas instrucciones puede ser causa de una descarga eléctrica y/o un riesgo de incendios.
- **Esta secadora ha de ir conectada a un tomacorriente con una toma a tierra adecuada**  
Puede ocurrir una descarga eléctrica si la secadora no dispone de una toma a tierra correcta.
- **Solicite que un electricista cualificado compruebe la toma a la pared y el circuito para asegurarse de que la toma a tierra está correctamente realizada.**  
Esto evitará peligros de descargas y asegurará la estabilidad durante el funcionamiento.
- **La secadora siempre ha de ir conectada a su propio tomacorriente eléctrico individual con una potencia nominal que coincida con la de la placa.**  
Una instalación así proporciona el mejor rendimiento y también evita la sobrecarga de los circuitos de cables domésticos, lo que podría provocar riesgo de incendio debido a unos cables recalentados.
- **Nunca desenchufe su secadora estirando del cable de alimentación.**  
Sujete siempre firmemente el enchufe y sáquelo de la toma sin agitarlo de lado a lado.  
El cable de alimentación puede cortarse como consecuencia de un movimiento del núcleo, provocando una descarga eléctrica.
- **Repare o cambie de inmediato todos los cables de servicio eléctrico que se hayan pelado o dañado. No utilice cables que muestren grietas o daños por abrasión por su extensión o en cualquier extremo.**  
Un circuito incorrecto puede derretirse, creando una descarga eléctrica y/o riesgo de incendios.
- **Al instalar o mover la secadora, tenga cuidado de no pisar, machacar, o dañar el cable eléctrico.**  
Esto evitará lesiones y daños a la secadora por fuego y descargas eléctricas.

Las siguientes instrucciones le servirán de guía a través de los pasos iniciales para la preparación de su secadora para el uso. Por favor note que cada sección de este manual proporciona información importante sobre la preparación y uso de su secadora, y es muy importante que lea este manual completamente antes de proceder con cualquiera instalación o con su uso. Instrucciones detalladas adicionales concernientes a las conexiones eléctricas, conexiones del gas, y los requerimientos sobre el escape son suministrados en otras partes de este manual.

**PASO 1 Colocación de la Secadora**

Elija un lugar de suelo sólido en el que poder ubicar su secadora. Colóquela al menos 18 pulgadas sobre el suelo si la instala en un garaje. Una vez la secadora ha sido instalada en el lugar deseado, asegúrese de que cuenta con las holguras necesarias que puede ver en la siguiente ilustración y en las secciones de los requisitos de salida y de mantenimiento.

Si está instalando su secadora en una casa prefabricada o móvil, favor refiérase al PASO 9 abajo para instrucciones adicionales.



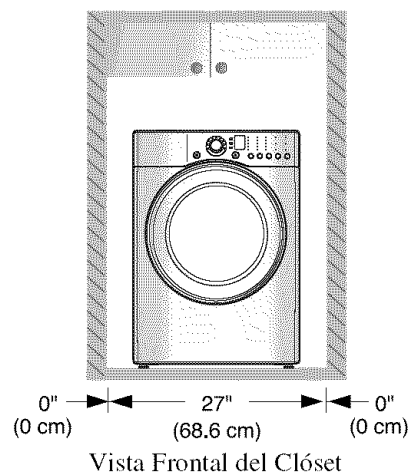
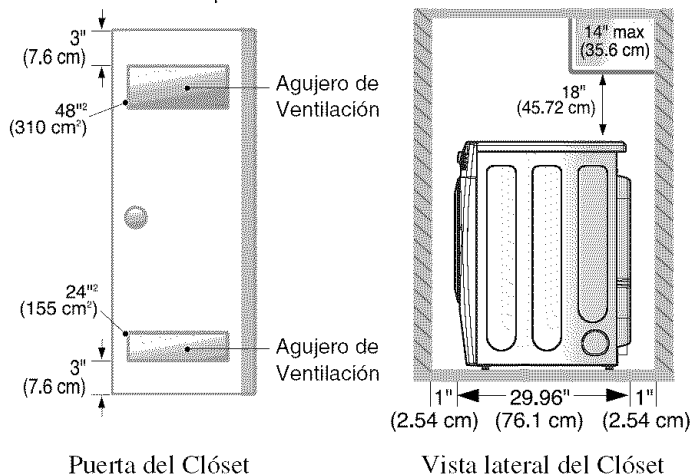
\* La mayoría de las instalaciones requieren un mínimo de 5 1/2 pulgadas de espacio libre (14 cm) detrás de la secadora para el conducto de escape con el codo.

**Nota**

**Debería asegurar las patas niveladoras. Las cuatro patas deben quedar sentadas con total seguridad en un suelo sólido y nivelado. Si la secadora no está nivelada, la colada podría no dar vueltas debidamente y el sensor no detectará la humedad correcta. Al ajustar el nivel, tenga cuidado de no lesionarse seriamente los dedos de la mano ni del pie.**

Son necesarias ciertas holguras mínimas de separación arriba, por debajo y a los lados de la unidad, como puede apreciar en las ilustraciones siguientes. Las holguras mínimas necesarias son las que marcan las ilustraciones de abajo. Recuerde siempre las instrucciones siguientes al instalar en un recinto cerrado o hueco.

- Considere dejar más holgura para la instalación y las tareas de servicio.
- La existencia de protuberancias en la pared, puerta o el suelo puede necesitar de holguras mayores.
- Se recomienda un pulgada adicional de holgura para reducir al mínimo la transferencia de ruido.
- Considere el espacio necesario para los electrodomésticos que puedan acompañar a éste.
- En las instalaciones en recintos cerrados, la ilustración de abajo muestra las aberturas de ventilación mínimas necesarias para la puerta. Es aceptable también una puerta con rendijas con aberturas para lograr una ventilación comparable.



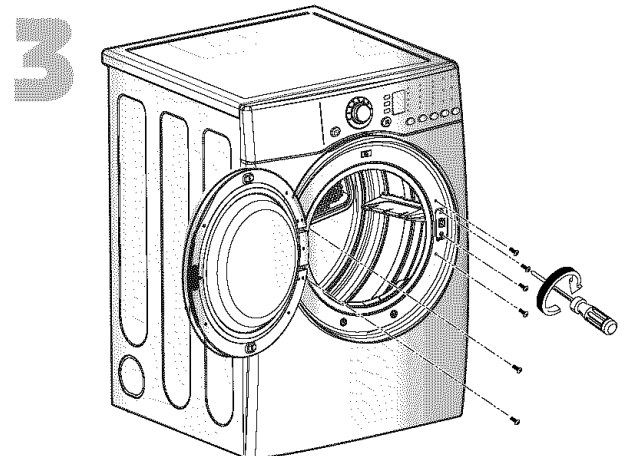
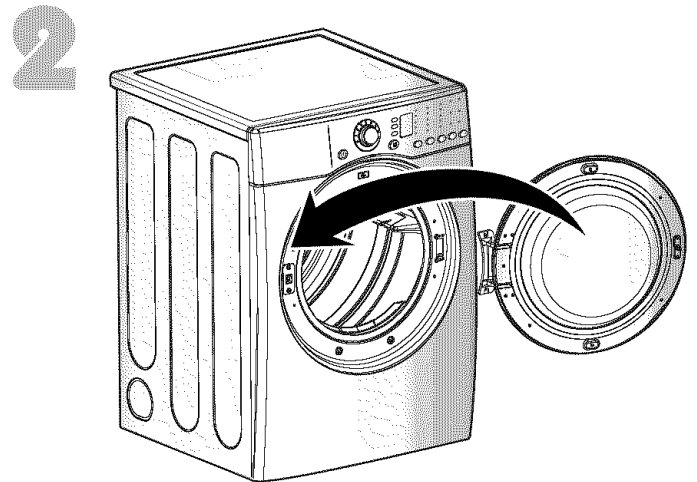
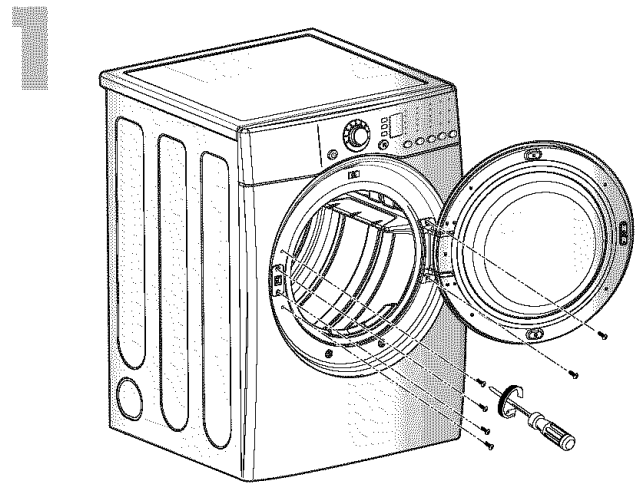
Una vez en posición ajuste las patas niveladoras de la secadora hasta que esté nivelada de izquierda a derecha y del frente hacia atrás. Las patas niveladoras deben permanecer firmes en el piso y la secadora no debe mecerse. La máxima inclinación de la secadora de izquierda a derecha o del frente hacia atrás no debe ser mayor de 2.5 cm (1 pulgada). Si la secadora no está nivelada, y si la inclinación excede los 2.5 cm (1 pulgada), la carga puede que no gire adecuadamente y los sensores internos pueden no funcionar correctamente. Nota: Otras secciones de este manual también proveen información importante sobre la ubicación y los espacios libres para su secadora. Por favor lea este manual completamente antes de proceder con cualquier instalación.

**PASO 2 Procedimiento para Invertir la Puerta**

La puerta de su secadora puede ser instalada de manera que abra hacia la izquierda o hacia la derecha. Siga estos procedimientos para invertir la dirección en que su puerta abre:

**Nota**

**La puerta y la bisagra deberían alienarse en el centro al cerrarse. De lo contrario la puerta se cerrará y abrirá mal.**



**PASO 3 Conexión del Sistema de Escape y Ventilación**

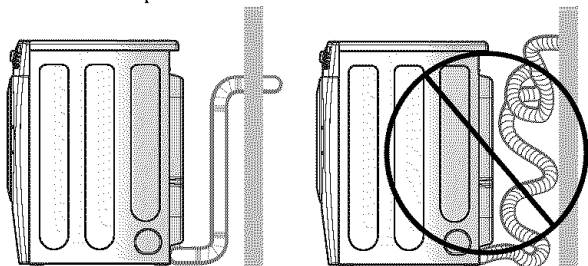
**! ADVERTENCIA!**

- Utilice material para ventilación de metal pesado.
- No utilice conductos de plástico o aluminio delgado.
- Si no cumple con estas instrucciones puede resultar en muerte o incendio.

**Nota**

**El extremo de la ventilación mirará hacia el lado externo y el mal roscado o una instalación inestable de la ventilación provocarán niveles de secado no deseados.**

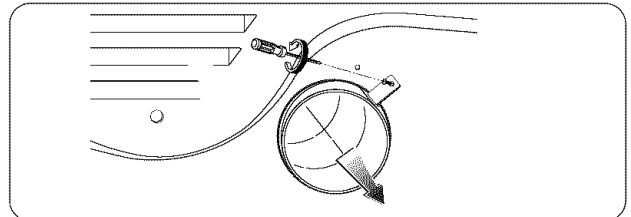
Además de las siguientes advertencias, por favor refiérase a la sección del manual sobre Requerimientos y Mantenimiento del Escape. **Advertencia:** La secadora debe estar ventilada hacia la intemperie. Por favor siga las siguientes instrucciones (y todas las otras en este manual) muy cuidadosamente. Si no cumple con estas instrucciones puede resultar en muerte o incendio.



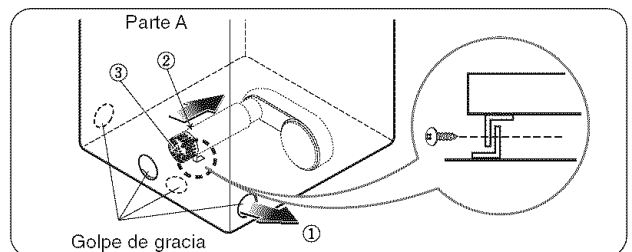
- No utilice conductos de plástico o aluminio.
- Utilice ducto rígido o semi-rígidos de metal de 4" (10.2 cm) de diámetro (nota: Los materiales para ventilación no son suministrados con la secadora, y usted debe obtenerlos por separado para una adecuada instalación)
- Coloque la secadora en tal posición que el ducto corra de la menor forma posible.
- *Limpie los ductos viejos antes de instalar esta secadora.*
- El extremo macho de cada sección del ducto de escape debe apuntar contrario a la secadora.
- Use las menores conyucturas posibles.
- Utilice cinta selladora de ductos en todas las uniones de ductos.
- Aísle la instalación de escape que pase a través de áreas sin calentamiento con el fin de reducir la condensación y la acumulación de pelusas en las paredes de la tubería; y
- **POR FAVOR TENGA CUIDADO YA QUE DE NO INSTALAR CORRECTAMENTE EL SISTEMA DE ESCAPE ANULARÁ LA GARANTÍA DE LA SECADORA**

**■ DIRECCIONES ALTERNAS PARA EL ESCAPE**

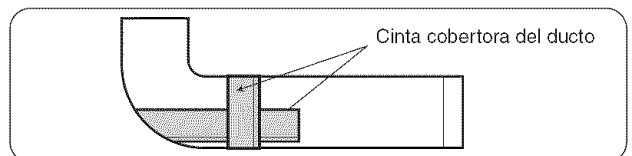
1. Quite el tornillo y el ducto de escape. (Utilice el kit de salida, n° de pieza 3911EZ9131X).



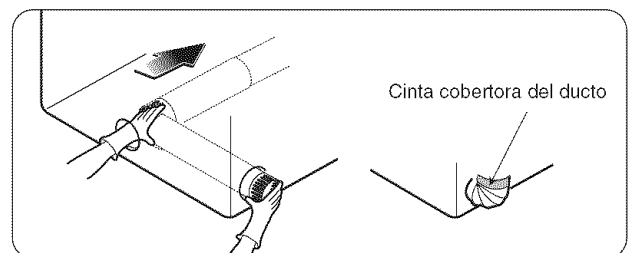
- 2-1. Separe y extraiga la seguridad de la parte inferior, izquierda o derecha según desee. (La ventilación del lado derecho no está disponible en la secadora a gas). ①, ②, ③ es el orden del trabajo.



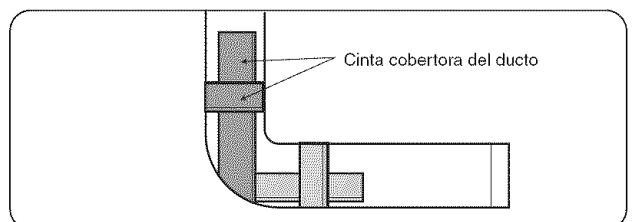
- 2-2. Reconecte el otro conducto (11 pulgadas o 28 cm) al alojamiento del soplador y acople el conducto a la base.



- 3-1. Arme previamente un codo de 4 con un ducto de 4". Envuelva la cinta selladora para ducto alrededor de la unión.

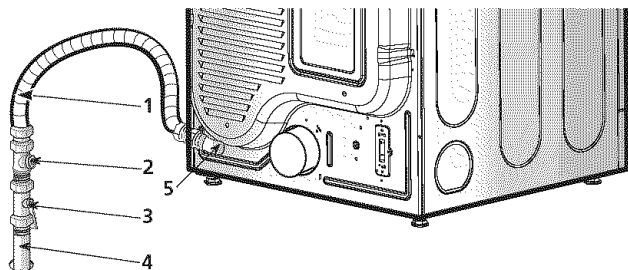


- 3-2. Inserte el montaje del ducto, el codo primero a través de la abertura lateral y conecte el codo al ducto interno de la secadora.



**PASO 4 Conexión del Suministro de Gas**

(Secadora a Gas solamente). Además de lo siguiente, por favor refiérase a la sección del manual sobre Requerimientos e Instrucciones del Gas.



1. Conector flexible nuevo de acero inoxidable. Utilice este tipo de conector sólo si es permitido por los códigos locales. Use un conector de diseño AGA Certificado.
2. Conector de tubo NPT de 1/8" (para verificar la presión de entrada de gas)
3. Válvula de Cierre de Equipo instalada a una distancia de 6" (1.8 m) de la secadora.
4. Tubería de hierro. Más corta de 20' (6.1 m) Use tubería de 3/8". Más larga de 20' (6.1 m) - Use tubería de 1/2".
5. Conexión de Gas N.P.T de 3/8" .

**Nota**

**Asegúrese de que la boquilla del zumbador es la adecuada para el tipo de gas que utiliza.**

**Por ejemplo, usar LPG con una boquilla LNG ocasionaría la muerte del usuario, el incendio o una explosión. Del mismo modo, LNG con una boquilla LPG no provocarán la ignición del quemador.**

**Si fuese necesario, la conversión de la boquilla debería realizarla un técnico de servicio cualificado y marcar o poner la etiqueta del tipo actual de boquilla en la secadora.**

1. Confirme que el tipo de gas disponible en su cuarto de lavado sea el adecuado para su secadora. La secadora está preparada para Gas Natural con una conexión de gas NPT de 3/8".
2. Remueva la tapa protectora de la conexión de gas detrás de la secadora. Asegúrese de no dañar la rosca de la tubería de la conexión de gas cuando remueva la tapa protectora.
3. Conecte la secadora al suministro de gas en su cuarto de lavado utilizando un conector nuevo flexible de acero inoxidable (como se mencionó antes, sólo use un conector nuevo flexible de acero inoxidable si es permitido por códigos locales)
4. Asegúrese de apretar todas las conexiones entre la secadora y el suministro de gas en su cuarto de lavado. Abra el suministro de gas en su cuarto de lavado y verifique todas las conexiones de la tubería (internas y externas) para detectar fugas de gas utilizando un detector líquido de fugas no corrosivo.
5. Para una conexión a gas LP (Petróleo Licuado), refiérase a la sección de este manual sobre Requerimientos e Instrucciones del Gas.

**PASO 5 Electrical Plug Connections  
Conección Elèctrica**

A continuación encontrará advertencias e instrucciones concernientes a la confección de la conexión eléctrica para secadoras eléctricas. Información detallada adicional concerniente a la conexión eléctrica es suministrada en la sección del manual Requerimientos Eléctricos para la Secadora Eléctrica y es importante que usted lea esta sección completamente, así como el resto del manual, antes de tomar algún paso para instalar o usar esta secadora.

1. Use solamente un cordón de alimentación nuevo listado No. 10 por U.L.(alambre de cobre únicamente) de tres conductores clasificado para 240 Voltios (mínimo) 30 Amperios y que está indicado de uso aceptable para una secadora de ropa.
2. Un cordón de 4 alambres es requerido para instalaciones y uso en casas prefabricadas (móvil) y donde los códigos locales no permitan conexión a tierra de este aparato a través del neutral.
3. Electrical Plug Connections  
Conección Elèctrica.
4. Para instrucciones adicionales de como conectar la secadora a una fuente eléctrica, favor refiérase a la sección de este manual sobre Requerimientos Eléctricos para Secadora Eléctrica.

**Nota**

**Requisitos de admisión al quemador**

**Si su casa está situada en alturas hasta los 10.000 pies.**

**Ajustar la admisión al quemador no es necesario en estas elevaciones porque A.G.A. certifica que esta secadora no tiene problemas con los rangos BTU a estas alturas.**

**Si su casa está situada a alturas superiores a los 10.000 pies, necesitará ajustar un cuatro por cien (4%) de reducción en el quemador, que es el rango indicado por el BTU en la placa de modelo/rango de serie.**

**⚠ ADVERTENCIA!**

- Use un cordón de alimentación nuevo aprobado por U.L. de 30 amp. o alambre de cobre sólido calibre 10.
- Use un liberador de tensión aprobado por UL .
- Desconecte la corriente antes de hacer las conexiones eléctricas.
- Conecte el alambre neutral (alambre blanco o central) al terminal central.
- El alambre a tierra alambre verde o descubierto debe conectarse al conector a tierra verde.
- Asegúrese de apretar todas las conexiones eléctricas.
- Vea las instrucciones de instalación para unas instrucciones completas.
- De no seguir estas advertencias puede resultar en incendio o choque eléctrico.

**PASO 6 Preparación de la Secadora**

Antes de usar por primera vez esta secadora, utilice un producto limpiador para todo propósito, o una solución de detergente y agua, con un paño húmedo para remover de la parte interior del tambor de la secadora /compartimiento de secado cualquier polvo o sucio que se haya podido acumular dentro de la secadora. Enchufe su secadora después de haber revisado las siguientes partes en los Requerimientos Eléctricos de su secadora.

**PASO 7 Confirmación de la Operación de la Fuente de Calor.**

**Confirmación de la Fuente de Calor en Secadoras a Gas**

Cierre la puerta al tambor / compartimiento de secado de la secadora y después de haber completado todos los pasos de este manual para la instalación correcta de esta secadora, encienda la secadora en temperatura caliente, como mejor se describe en las instrucciones de operación provistas con la secadora. Después que la secadora se enciende, el encendedor resplandecerá en rojo y el quemador principal encenderá.

Advertencia: Si no todo el aire es purgado fuera de la línea de gas, el encendedor podría apagarse antes de que el gas y el quemador principal se hayan encendido. Si esto sucede, el encendedor intentará encender el gas después de aproximadamente dos minutos.

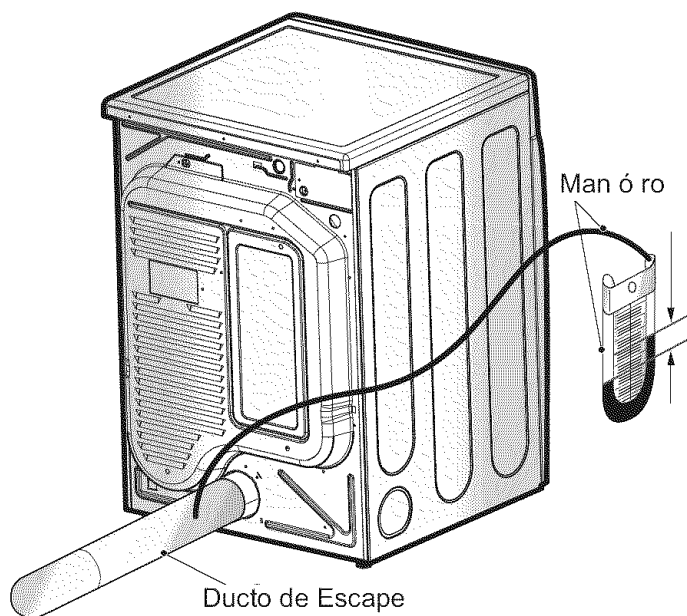
**Confirmación de la Fuente de Calor en Secadoras Eléctricas**

Cierre la puerta al tambor / Compartimiento de secado de la secadora y después de haber completado todos los pasos en este manual para una instalación correcta de esta secadora, encienda la secadora en temperatura caliente, como mejor se describe en las instrucciones de operación provistas con la secadora. El aire de escape o el tubo de escape deben calentarse después que la secadora haya operado por tres minutos.

**PASO 8 Flujo de Aire**

La efectiva operación de la secadora requiere de un flujo de aire adecuado. El flujo de aire adecuado puede ser medido evaluando la presión estática. La presión estática en el ducto de escape puede ser medida con un manómetro, colocado en el ducto de escape aproximadamente a 2 pies (60.9 cm) de la secadora. La presión estática en el ducto de escape no debe exceder 5/8 pulgadas (1.5 cm). La secadora debe ser verificada cuando está operando sin carga.

Medición de la Presión Estática.



**PRESIÓN ESTÁTICA MÁXIMA EN COLUMNA DE AGUA**

5/8 pulgadas (1.5 cm)

**PASO 9 Instrucciones Adicionales para la Instalación de su Secadora en una Casa Prefabricada o Móvil.**

Las siguientes instrucciones se aplican a instalaciones de la secadora en casas prefabricadas o móvil. La instalación en una casa prefabricada o móvil debe cumplir con los estándares de Seguridad y Construcción de Casas Prefabricadas, Título 24 CFR, Parte 32-80 o el Estándar CAN/CSA0Z240 MH y los códigos y ordenanzas locales. Si no está seguro de que la instalación cumplirá con estos estándares, por favor contacte a un profesional de mantenimiento e instalación para que le ayude.

Las siguientes instrucciones se aplican a cualquier instalación de la secadora en una casa prefabricada o móvil:

- 1) La conexión eléctrica para una secadora eléctrica debe ser de conexión de 4 alambres. Información adicional detallada concerniente a la conexión eléctrica es suministrada en la sección del manual Requerimientos Eléctricos para la Secadora Eléctrica.
- 2) Para reducir el riesgo de combustión e incendio, la secadora debe estar ventilada hacia la intemperie.

- 3) Las secadoras eléctricas pueden ser ventiladas hacia el exterior usando el panel trasero, izquierdo, derecho o inferior.
- 4) Las secadoras a gas pueden ser ventiladas hacia el exterior usando el panel trasero, izquierdo o inferior. Las secadoras a gas no pueden ser ventiladas al exterior usando el panel del lado derecho debido a la cubierta del quemador.
- 5) El ducto de escape de la secadora debe estar fijo a la estructura de la casa prefabricada o móvil, y el ducto de escape debe estar hecho de un material que resista fuego y combustión, y es recomendable que utilice una tubería de metal flexible o rígido.
- 6) NO conecte el ducto de escape con ningún otro ducto, ducto de ventilación, chimenea u otro ducto de escape.
- 7) Asegúrese que la secadora tenga un buen acceso al aire fresco del exterior para una operación adecuada. La abertura para el aire fresco del exterior debe ser de por lo menos 25 pulgadas (163 cm).
- 8) Es importante que el espacio libre del ducto de cualquier construcción combustible sea de por lo menos 2 pulgadas (5 cm), y cuando ventila la secadora hacia la intemperie, la secadora puede ser instalada con un espacio libre de 1 pulgada a los lados y en la parte posterior de la secadora.
- 9) Favor notar que los materiales para la ventilación no son provistos con la secadora. Usted debe obtener los materiales para la ventilación necesarios para una adecuada instalación.

**⚠ ADVERTENCIA!**

- NO conecte los ductos de escape con tornillos de metal o sujetadores que se extiendan dentro del ducto.
- De no cumplir lo aquí indicado puede ocasionar la muerte, explosión o incendio.

**⚠ ADVERTENCIA!**

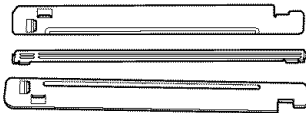
- NO ventile el ducto de escape hacia abajo de la casa prefabricada o móvil.
- De no cumplir lo aquí indicado puede ocasionar la muerte, explosión o incendio.

**Instrucciones de Instalación para montar el Kit**

Para asegurar una instalación segura, por favor observe las instrucciones siguientes.

**⚠ ADVERTENCIA!**

- El peso de la secadora y la altura de la instalación hacen que montar el kit sea peligroso para una sola persona.
- Este procedimiento debe realizarse por 2 o más personas con experiencia en este tipo de servicios.
- Una instalación incorrecta puede causar accidentes serios.



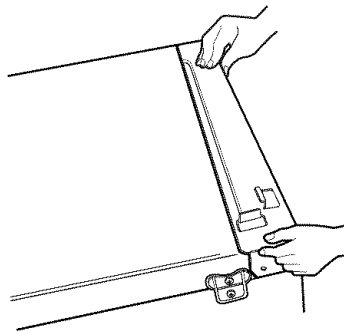
Kit para Apilar

**1** Coloque la lavadora firmemente en una superficie estable y sólida como las instrucciones del Manual de Usuario indican.

**2** Quite el papel protector del kit en el soporte lateral.



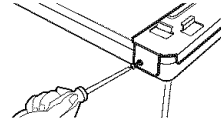
**3** Encaje el soporte lateral del kit en el lado de la parte superior de la plataforma anexándole la cinta doble cara en la plataforma como muestra el dibujo.



**Nota**

Limpe la superficie antes de acoplar las abrazaderas y la cinta de doble cara.

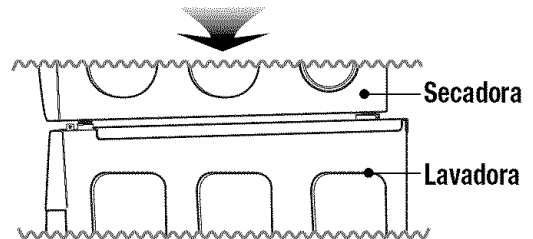
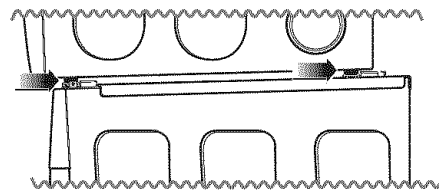
**4** Asegure el kit en el soporte lateral a la lavadora con un tornillo en la parte trasera del soporte. Repita los pasos 2,3,4 para el otro lado.



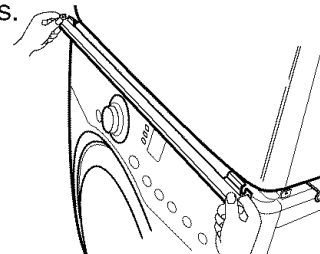
**5** Coloque la secadora en la parte superior de la lavadora asegurando las patas como se muestra en el dibujo. Evite daños en los dedos- tenga cuidado en que no se queden atrapados sus dedos entre la lavadora y la secadora. Deslice lentamente la secadora hasta el final del kit.

**⚠ ADVERTENCIA!**

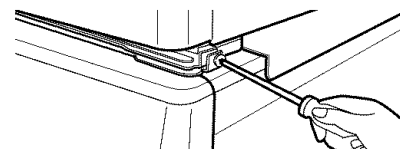
- No coloque la lavadora en la parte superior de la secadora.
- Una instalación incorrecta puede causar accidentes serios.



**6** Inserte la parte frontal del kit. Empuje la parte frontal hasta el final de los soportes laterales.



**7** Atornille los lados de la parte frontal del kit.



- No use el kit si existe secado de gas en condiciones inestables como una casa móvil.

Instalación de la secadora (Cinta de tipo doble-cara)

**1** Quite el pedestal, instalación del disco duro e instrucciones del cartón del envío.

**2** Coloque la secadora encima del pedestal.  
**NOTA :** Debido al peso de la secadora, pueden necesitarse dos o más personas.

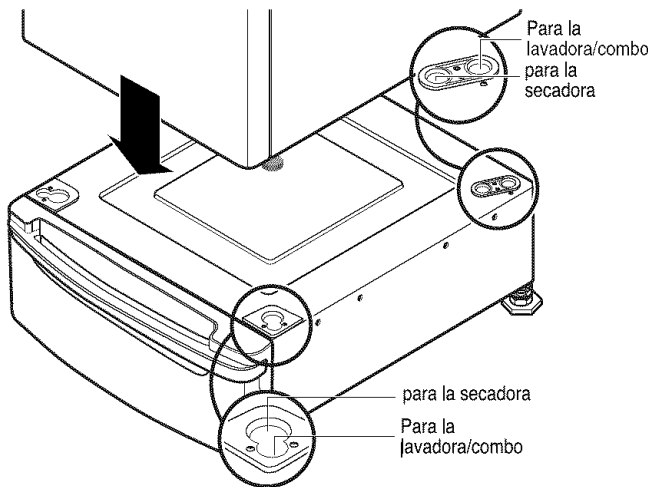
**NOTA :** Si la secadora fuera instalada previamente, desinstalela como sigue:

**A. Desinstalando la secadora eléctrica:**

- 1) Desenchufe el cordón de suministro de energía.
- 2) Jale la secadora fuera de la pared lo suficiente para aflojar la abrazadera del conducto de ventilación. Suelte la abrazadera y quite cuidadosamente el extractor del conducto de ventilación del enchufe del extractor de la secadora.

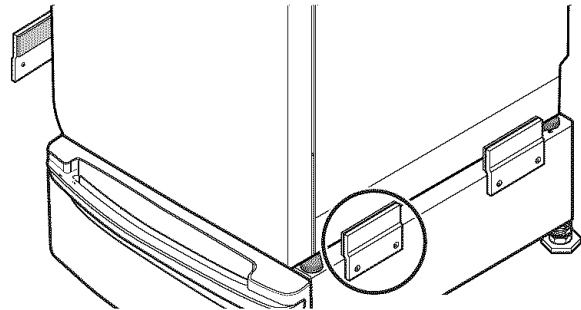
**B. Desinstalación de una secadora a gas:**

- 1) Cierre el gas.
- 2) Desenchufe el cable de alimentación.
- 3) Desconecte la línea de gas de la secadora.
- 4) Deje a un lado y afloje la brida de ventilación.
- 5) Desconecte la ventilación.

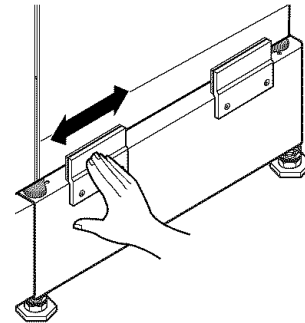


**3** Quitar el papel del anaquel.

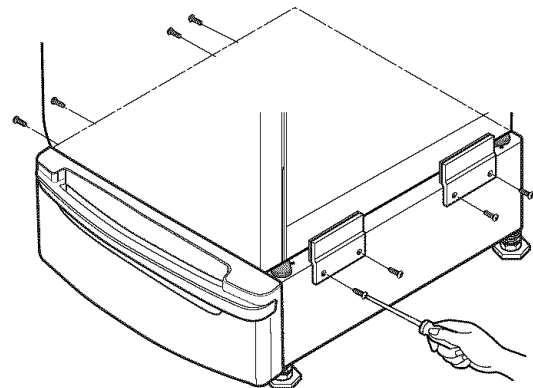
**4** Atar la cinta de doble-cara del anaquel al secador como se muestra para que la inclinación de las partes de los anaqueles se alinien con el borde y puedan atarse al pedestal con los tornillos.  
**NOTA :** Ate la parte más baja primero.



**5** Asegúrese de ajustar las partes adhesivas de los anaqueles firmemente al aparato.



**6** Instale los ocho(8) tornillos (proporcionados) para atar los anaqueles al pedestal.



**7** Mover la secadora al lugar deseado.  
**NOTA :** El aparato y el pedestal ensamblado deben ponerse sobre suelo sólido y nivelado para un funcionamiento apropiado. Ajuste las patas del aparato y el pedestal dando vueltas con la llave inglesa. Entonces, ajuste el seguro de la cerradura hacia el pedestal mientras sostiene la pata del pedestal usando la llave inglesa.

Las siguientes son instrucciones adicionales sobre las conexiones y requerimientos eléctricos para las secadoras eléctricas.

**⚠ Advertencia:** El cableado y la conexión a tierra deben estar de acuerdo con la edición más reciente del código Eléctrico Nacional, ANSI/NFPA 70 y todas las regulaciones locales aplicables. Por favor contacte a un electricista calificado para verificar el cableado y fusibles de su casa y para asegurar que tiene la energía eléctrica adecuada para el funcionamiento de la secadora. De no seguir estas advertencias puede resultar en incendio o choque eléctrico.

120V/ 240V, 60 Hertz, Instalación de 3-Alambres

**Instrucciones para la Conexión a Tierra de su Secadora Eléctrica:**

- a) Por favor note que el diagrama de cableado está localizado dentro de la cubierta del control de la secadora.
- b) Esta secadora debe ser conectada a un metal con conexión a tierra, sistema de cableado permanente, o un conductor equipo-tierra debe correr con los conductores de circuito y estar conectado al terminal equipo-tierra o línea principal de la secadora.
- c) La secadora tiene su propia caja terminal la cual debe estar conectada a una línea separada, 60 Hertz, circuito de fase sencilla, circuito AC (corriente alterna), con fusible de 30 Amperios (el circuito debe tener fusibles en ambos lados de la línea). **EL SERVICIO ELÉCTRICO PARA LA SECADORA DEBE SER DEL MÁXIMO RANGO DE VOLTAJE DESCRITO EN LA PLACA. NO CONECTE LA SECADORA A UN CIRCUITO DE 110, 115, Ó 120 VOLTIOS.** Hay elementos calefactores disponibles para secadoras que se conectarán a servicios eléctricos de diferente voltaje que los que se listan en la placa, tal como de 208 voltios.
- d) Si la distancia entre la caja de circuito y la secadora es de 15 pies (4.50 m) o menos, use un cable No. 10 A.W.G. (de cobre únicamente) listado por U.L. (Underwriters Laboratories), o como lo requieran los códigos locales. Si es de más de 15 pies (4.50 m), use un cable No. 8 A.W.G. (de cobre únicamente) listado por U.L. (Underwriters Laboratories) o como lo requieran los códigos locales. Deje suficiente holgura en el cableado de manera que la secadora pueda ser movida de su posición cuando sea necesario.

- e) La conexión del cordón de alimentación (cable flexible) entre el tomacorriente y la caja terminal de la secadora **NO ES** suministrada con la secadora. El tipo del cable flexible y el calibre del alambre deben estar conforme con los códigos locales y con las instrucciones de las páginas siguientes.
- f) El método de cableado de la secadora es opcional y sujeto a los requerimientos del código local. Refiérase a los ejemplos en la próxima página.
- g) Usted debe seleccionar el método para cablear su secadora de acuerdo a los requerimientos de los códigos locales y ordenanzas. Métodos de ejemplo están incluidos en las siguientes páginas.

**⚠ ADVERTENCIA!**

- Etiquete todos los cables antes de desconectarlos para darle mantenimiento a la secadora, ya que errores en el cableado pueden causar lesiones serias a usted y dañar su secadora.
- De no seguir estas advertencias puede resultar en incendio o choque eléctrico.!

Revise las siguientes opciones para determinar la conexión eléctrica adecuada para su casa:



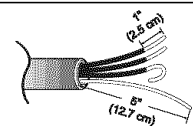
**Tomacorriente de 4-alambres (Tipo NEMA 14-30R).**

Utilice las instrucciones en esta sección si su casa tiene un tomacorriente de 4-alambres (Tipo NEMA 14-30R) y si usará un cordón de alimentación para secadora listado por UL, de 120/240 voltios mínimo y de 30 amp.



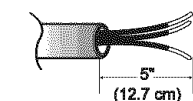
**Tomacorriente de 3-alambres (Tipo NEMA 10-30R)**

Utilice las instrucciones en esta sección si su casa tiene un tomacorriente de 3-alambres (Tipo NEMA 10-30R) y si usará un cordón de alimentación para secadora listado por UL, de 120/240 voltios mínimo y de 30 amp.



**4-cables directos**

Si este tipo está disponible en su casa, lo conectará a una caja de corto circuito o una pipa desconectada.



**3-cables directos**

Si este tipo está disponible en su casa, lo conectará a una caja de corto circuito o una pipa desconectada.

**Nota**

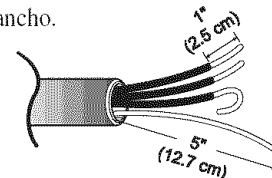
- **Atornille el cable de la alimentación al bloque terminal. El cable de color debería conectarse a los tornillos del mismo color. El color del cable indicada en el manual está conectado al tornillo del mismo color del bloque. De lo contrario, se aplicará una corriente excesiva que ocasionará daños al producto y un fallo en la calefacción.**

**Conexión de 4-cables: Cableado directo**

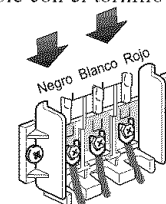
**Advertencia:** Contacto por conductor neutro esta prohibido por (1) nuevas instalaciones de branch- circuito (2) las casas de mobiles (3) vehiculo recreacional y (4) areas donde los codigos locales prohíbe contactar por el conductor neutro. De no seguir estas advertencias puede resultar en incendio o choque eléctrico.

Prepare un mínimo de 5 ps (1.52 m) de longitud para poder reemplazar la secadora.

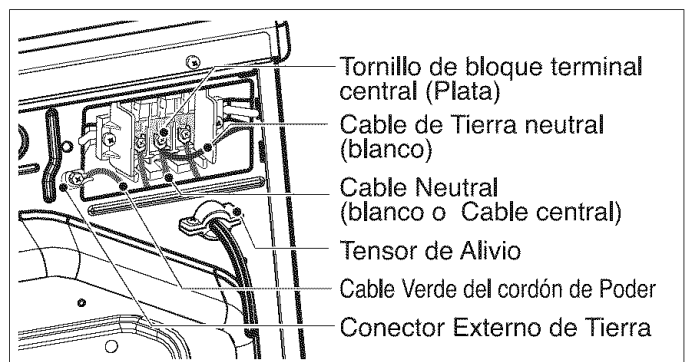
Primero, despegue 5 pulg (12.7 cm) de la cubierta del cable desde el final. Descubra 5 pulgadas del cable de tierra. Después de cortar 1 1/2 pul (3.8cm) de los otros 3 cables, aisle lo despegado. atrás 1 pul (2.5cm). haga los finales de los cables en forma de gancho.



Luego, ponga el final de esas puntas debajo del tornillo de la terminal (la parte de la punta con forma de gancho mostrandose derecho) y una el cable con el tornillo fuertemente.



1. Conecte un cable neutral (blanco) al cordón de poder para centrar la terminal del tornillo.
2. Conecte un cable rojo y otro Negro en las terminales izquierdas y derechas de los tornillos.
3. Conecte el cable de tierra (verde) del cordón de poder al tornillo de tierra externo y mueva el cable de tierra neutral fuera del aparato y conéctelo al tornillo central.
4. Asegúrese que el tornillo de alivio de tensión este apretado. Asegure que todo el bloque de tuercas esten bien apretados, y el cable eléctrico de poder este en la posición correcta.

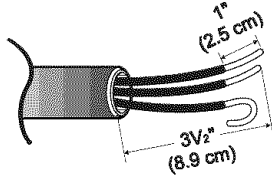


**Conexión de 3-cables: Cable Directo**

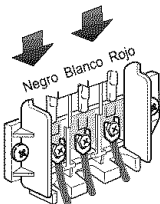
**Advertencia:** Contacto por conductor neutro esta prohibido por (1) nuevas instalaciones de branch- circuito (2) las casas de mobiles (3) vehiculo recreacional y (4) areas donde los codigos locales prohíbe contactar por el conductor neutro. De no seguir estas advertencias puede resultar en incendio o choque eléctrico.

Prepare un mínimo de 5 ps (1.52 m) de longitud para poder reemplazar la secadora.

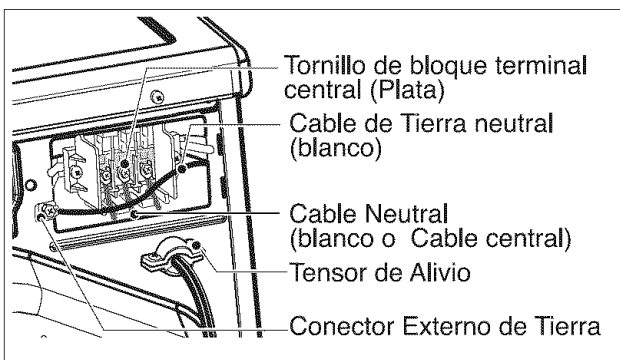
Primero, despegue 5 pulg (12.7 cm) de la cubierta del cable desde el final. Descubra 5 pulgadas del cable de tierra. Después de cortar 1 1/2 pul (3.8cm) de los otros 3 cables, aisle lo despegado. atrás 1 pul (2.5cm). haga los finales de los cables en forma de gancho.



Luego, ponga el final de esas puntas debajo del tornillo de la terminal (la parte de la punta con forma de gancho mostrandose derecho) y una el cable con el tornillo fuertemente.

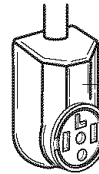


1. Conecte un cable neutral (blanco) al cordón de poder para centrar la terminal del tornillo.
2. Conecte un cable rojo y otro Negro en las terminales izquierdas y derechas de los tornillos.
3. Asegúrese que el tornillo de alivio de tensión este apretado. Asegure que todo el bloque de tuercas estén bien apretados, y el cable eléctrico de poder este en la posición correcta.

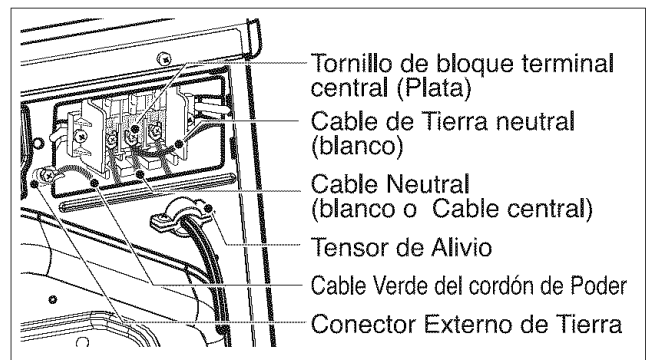
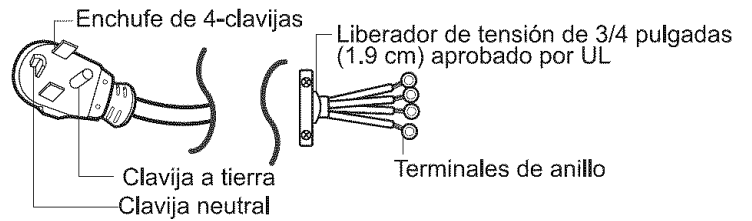
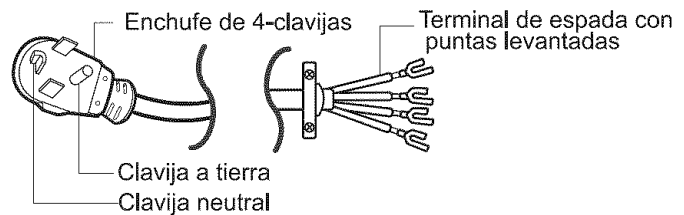


**Opción 1 Conexión de 4-alambres con un Cordón de Alimentación.**

- Si los códigos y ordenanzas locales no permiten el uso de una conexión de 3 alambres, o está instalando la secadora en una casa móvil, debe usar una conexión de 4-alambres.



Tomacorriente de 4-alambres (Tipo NEMA14-30R)

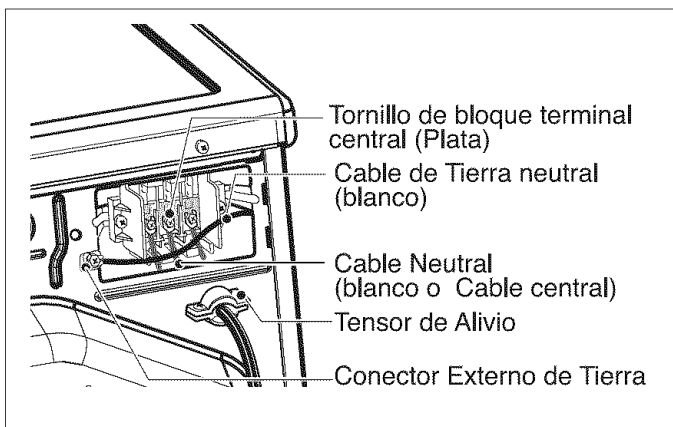
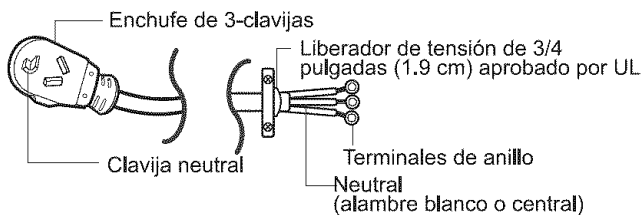
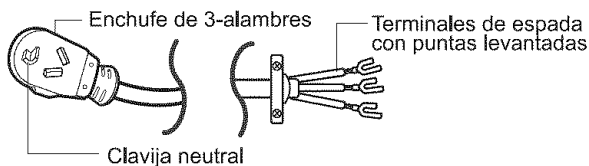
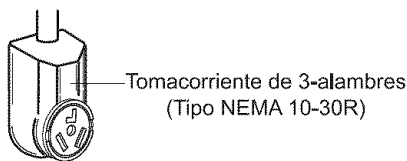


1. Conecte un cable neutral (blanco) al cordón de poder para centrar la terminal del tornillo.
2. Conecte un cable rojo y otro Negro en las terminales izquierdas y derechas de los tornillos.
3. Conecte el cable de tierra (verde) del cordón de poder al tornillo de tierra externo y mueva el cable de tierra neutral fuera del aparato y conéctelo al tornillo central.
4. Asegúrese que el tornillo de alivio de tensión este apretado. Asegure que todo el bloque de tuercas estén bien apretados, y el cable eléctrico de poder este en la posición correcta.

**Opción 2 Conexión de 3-alambres con un Cordón de Alimentación.**

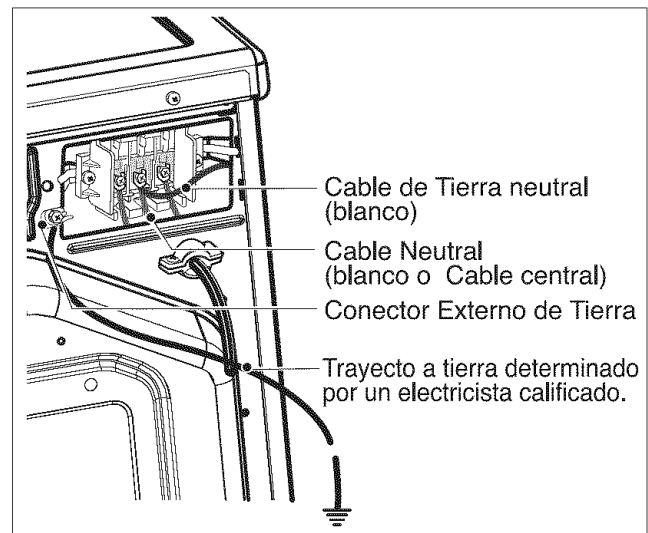
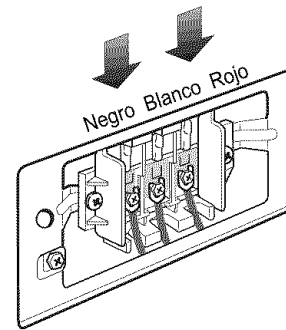
Si los códigos y ordenanzas locales permiten la conexión de un conductor estructura-tierra al alambre neutral, utilice estas instrucciones. Si los códigos y ordenanzas locales no permiten la conexión de un conductor estructura-tierra al alambre neutral, utilice las instrucciones bajo la Sección 1: Conexión opcional de 3-alambres.

**Sección 1**



**Opción 3 Conexión Opcional de 3-alambres.**

• Si los códigos y ordenanzas locales no permiten la conexión de un conductor estructura-tierra a un cable neutral, utilice las instrucciones bajo esta sección.



1. Conecte un cable neutral (blanco) al cordón de poder para centrar la terminal del tornillo.
2. Conecte el cable de tierra (verde) del cordón de poder al tornillo de tierra externo y mueva el cable de tierra neutral fuera del aparato y conéctelo al tornillo central.
3. Conecte un cable rojo y otro Negro en las terminales izquierdas y derechas de los tornillos.
4. Asegúrese que el tornillo de alivio de tensión este apretado. Asegure que todo el bloque de tuercas estén bien apretados, y el cable eléctrico de poder este en la posición correcta.
5. Conecte un alambre de tierra independiente del conector de tierra externo con la tierra apropiada.

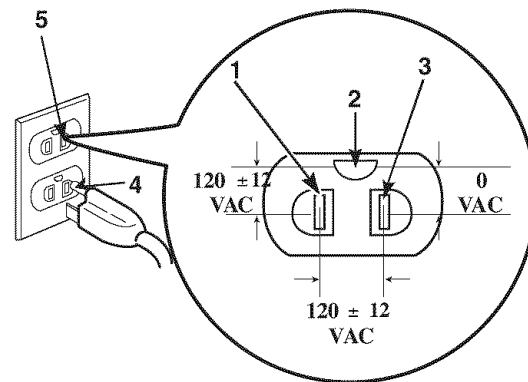
**120 Voltios, 60 Hertz, con Enchufe de 3-Clavijas con Conexión a Tierra**

Las siguientes son instrucciones adicionales sobre las conexiones y requerimientos eléctricos para las secadoras a gas.

**⚠ Advertencia:** El cableado y la conexión a tierra deben estar de acuerdo con la edición más reciente del código Eléctrico Nacional, ANSI/NFPA 70, o el Código Eléctrico Canadiense, CSA C22.1, y todas la regulaciones locales aplicables. Por favor contacte un electricista calificado para verificar el cableado y fusibles de su casa y asegurar que tiene la energía eléctrica adecuada para el funcionamiento de la secadora. De no seguir estas advertencias puede resultar en incendio o choque eléctrico.

**Requerimientos Eléctricos para su Secadora:!**

- a) Recuerde que el diagrama de cableado se encuentra dentro de la caperuza de control de la secadora. Etiquete todos los cables antes de la desconexión al realizar tareas de servicio porque errores en el cableado pueden ser causa de serias lesiones para usted y para su secadora.
- b) Su secadora está diseñada para ser operada en un circuito separado, polarizado, de tres alambres efectivamente conectados a tierra, 120 Voltios, 60 Hertz, AC (corriente alterna) circuito protegido por un fusible de 15 Amperios, fusetrón equivalente o disyuntores.
- c) Utilice circuitos de fusibles separados para la lavadora y la secadora, NO opere una lavadora y una secadora en el mismo circuito.



**CIRCUITO ESTÁNDAR DE 120 VOLT,60 HERTZ, 3-ALAMBRES EFECTIVAMENTE CONECTADO A TIERRA.**

- 1 L1
- 2 Tierra
- 3 Lado Neutral
- 4 Clavija Redondeada a Tierra
- 5 Neutral

- a) La secadora tiene un enchufe de tres clavijas para protección contra choques eléctricos. El enchufe debe ser conectado directamente a un tomacorriente para tres clavijas debidamente conectado a tierra clasificado para 120 Voltios AC (corriente alterna) 15 Amperios. Este enchufe, para que sea debidamente y completamente efectivo, debe estar enchufado en un tomacorriente debidamente instalado que esté conectado a tierra de acuerdo a todos los códigos y ordenanzas locales.
- b) La secadora debe estar conectada a tierra con el fin de reducir el riesgo de choques eléctricos, incluyendo mal funcionamiento o avería.
- c) Si su cuarto de lavado no cumple con las especificaciones requeridas por este manual, o si no está seguro de que su cuarto de lavado cumple con estas especificaciones, por favor haga que un técnico o compañía calificada, por ejemplo un electricista calificado o su compañía eléctrica local, verifique el suministro eléctrico de su cuarto de lavado y corrija cualquier problema.

**⚠ ADVERTENCIA!**

- No sobrecargue el circuito operando otros artefactos en el mismo circuito cuando este artefacto está funcionando, utilizando una extensión eléctrica para conectar la secadora a la fuente de energía, o utilizando cualquier adaptador que permita que se conecten cordones adicionales al mismo tomacorriente.
- De no seguir estas advertencias puede resultar en incendio o choque eléctrico.!

**⚠ ADVERTENCIA!**

- **NO modifique el enchufe provisto con la secadora.** Si éste no encaja en el tomacorriente de su cuarto de lavado, un tomacorriente adecuado necesitará ser instalado por un técnico o compañía calificada.
- De no seguir estas advertencias puede resultar en incendio o choque eléctrico.!

Las siguientes son instrucciones e información importante concernientes a los requerimientos para el suministro y servicio del gas para las secadoras a gas. **⚠ Advertencia:** El suministro y servicio del gas para las secadoras a gas debe cumplir con los códigos y ordenanzas locales. Si no existen códigos y ordenanzas locales en su área, el suministro y servicio del gas para su secadora a gas debe cumplir con la más reciente edición del Código Nacional de Gas Combustible, ANSI Z223.1 / NFPA 54. De no cumplir lo aquí indicado puede ocasionar la muerte, explosión o incendio.

1. Requerimientos del suministro de gas: El servicio de Gas Petróleo Licuado (L.P.) (2,500 Btu/ft<sup>3</sup> (93.1 MJ/m<sup>3</sup>)) debe ser suministrado a una presión de columna de agua de 10 + 1.5 pulgadas.
2. No intente conectar la Secadora al Servicio de Gas Petróleo Líquido (LP Gas) sin personal calificado.
3. Aísle la secadora del sistema de tuberías del suministro de gas cerrando la válvula individual de cierre manual, durante las pruebas de presión del sistema de suministro de gas a la presión de prueba igual o menor que 2/1 psi (3.45 kPa).
4. Requerimientos de la Línea de Suministro. Su cuarto de lavado debe tener una línea rígida de suministro de gas hasta la secadora. En USA, una válvula individual de cierre manual DEBE ser instalada a no más de 6 pies (1.8 m) de la secadora de acuerdo con Código Nacional de Gas Combustible ANSI Z223.1. Un conector de tubería N.P.T. de 1/8 pulgada debe ser instalado como se muestra.

**Instrucciones y ADVERTENCIAS:**

- Conecte la secadora al tipo de gas indicado en la placa de la secadora.
- Utilice conectores nuevos flexibles de acero inoxidable.
- Utilice cinta de Teflón y sellador de uniones insoluble en gas LP en todas las roscas de las tuberías.
- Purgue el suministro de gas de aire y sedimentos antes de conectarlo a la secadora; con el propósito de evitar contaminación de la válvula de gas, antes de apretar la conexión entre el suministro de gas y la secadora, purgue el aire que queda hasta que el olor a gas sea detectado.
- NO use una flama para detectar fugas de gas; en su lugar, utilice un líquido detector de fugas no corrosivo.

**⚠ ADVERTENCIA!**

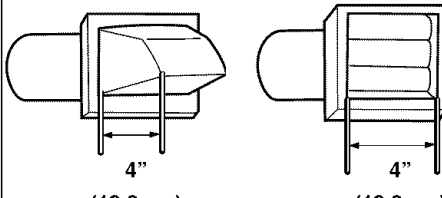
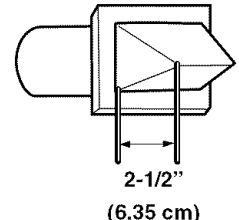
- **NO** intente desmontar la secadora, esta acción requiere la atención y herramientas de un técnico o compañía autorizada y calificada.
- De no cumplir lo aquí indicado puede ocasionar la muerte, explosión o incendio.

**⚠ ADVERTENCIA!**

- Utilice una línea nueva de suministro de gas aprobada por AGA o CSA.
- Instale una válvula de cierre.
- Asegúrese de apretar todas las conexiones de gas.
- Si está conectado a LP, haga que un técnico calificado se asegure que la presión de gas no exceda la columna de agua de 13 pulgadas.
- Ejemplos de los técnicos calificados incluyen personal con licencia sobre calefacción personal autorizado de la compañía de gas, y personal autorizado de servicio.
- De no cumplir lo aquí indicado puede ocasionar la muerte, explosión o incendio.

Las siguientes son instrucciones e información importante concernientes a los requerimientos del escape para su secadora.

**⚠ Advertencia:** NO dirija el escape de la secadora hacia un área cerrada y no ventilada, como un ático, pared, techo, sótano, chimenea, salidas de gas, o espacio oculto de un edificio. Para reducir el riesgo de incendio, NO utilice ductos de plástico o lámina delgada para el escape de la secadora. De no cumplir lo aquí indicado puede ocasionar la muerte, explosión o incendio.

Tipos de Campana	Número de Codos de 90°	Longitud máxima del ducto de metal rígido de 4" (10.2 cm) de diámetro	Longitud máxima del ducto de metal flexible de 4" (10.2 cm) de diámetro
<b>Recomendado</b> 	0	65 pies (19.8 m)	45 pies (13.7 m)
	1	55 pies (16.8 m)	35 pies (10.7 m)
	2	47 pies (14.3 m)	30 pies (9.1 m)
	3	36 pies (11.0 m)	25 pies (7.6 m)
	4	28 pies (8.5 m)	20 pies (6.1 m)
<b>Úsese únicamente para instalaciones de carrera corta</b> 	0	55 pies (16.8 m)	35 pies (10.7 m)
	1	47 pies (14.3 m)	27 pies (8.2 m)
	2	41 pies (12.5 m)	21 pies (6.4 m)
	3	30 pies (9.1 m)	17 pies (5.2 m)
	4	22 pies (6.7 m)	15 pies (4.5 m)

**NOTA :** Deduzca 6 pies (1.8 m) por cada codo adicional.

No se recomienda usar más de 4 codos de 90°.

**Requerimientos e Instrucciones del Escape**

- Los materiales para la ventilación no son suministrados con la secadora y usted deberá obtener los materiales necesarios localmente. Por ejemplo, el extremo exterior de la tubería de escape debe tener una campana con compuertas con bisagras para evitar corrientes de aires cuando la secadora no está en uso.
- El ducto de escape debe ser de 4 pulgadas (10.2 cm) de diámetro sin obstrucciones. El ducto de escape debe mantenerse lo más corto posible. Asegúrese de limpiar cualquier ducto viejo antes de instalar su nueva secadora.
- Los conductos metálicos rígidos o semi-rígidos se recomiendan para usarse como conductos de transición entre la secadora y la pared. Especialmente en las instalaciones donde es imposible hacer la conexión con las recomendaciones anteriores, un conducto metálico flexible listado UL puede usarse solamente entre la conexión de la secadora y la pared. El uso de estos conductos afectará el tiempo de secado.
- NO use tornillos para láminas de metal en las uniones de las tuberías de escape u otros sujetadores que puedan introducirse en el ducto y que puedan atrapar pelusas y reducir la eficiencia del sistema de escape. Asegure todas las uniones con cinta para ductos.
- Para maximizar los resultados de la operación, por favor observe las limitaciones del largo del ducto según la tabla de arriba.

Mantenimiento del Escape y la Secadora



**ADVERTENCIA!**

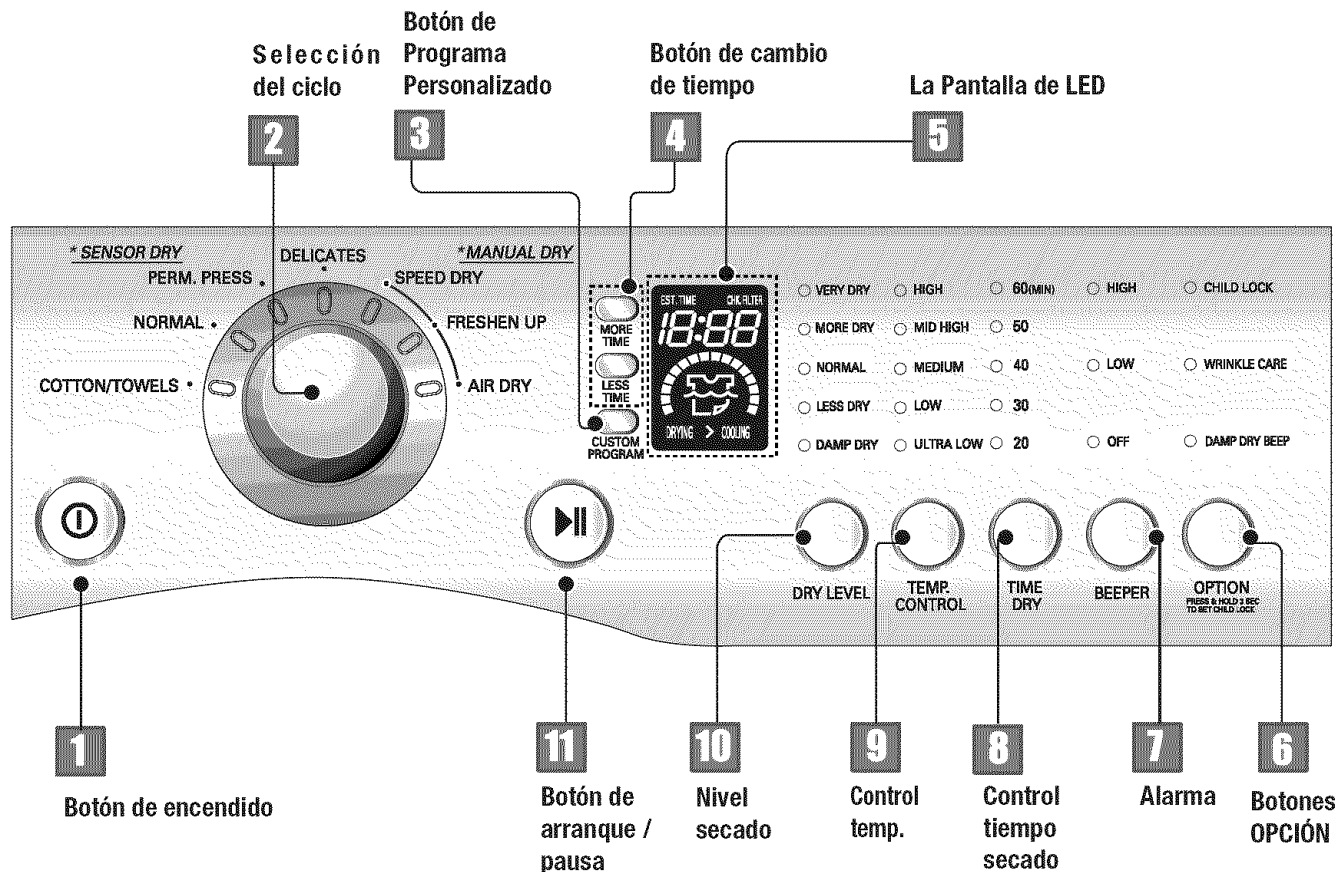
- Desconecte la energía eléctrica de la secadora antes de efectuar limpieza o mantenimiento.
- De no seguir estas advertencias puede resultar en incendio o choque eléctrico.

1. Después de un año de uso, el interior y todo el sistema de escape de la secadora debe ser examinado y limpiado si es necesario.
2. Antes de que transcurra un año de uso, si el rendimiento del secado ha bajado repentinamente a niveles insatisfactorios, examine y limpie el conducto de salida para conseguir un mejor nivel de secado.
3. Verifique la campana frecuentemente para asegurarse que las compuertas se están moviendo libremente, que no hayan sido empujadas hacia adentro, y que nada haya sido recargado contra las compuertas.
4. Un técnico de servicio o compañía calificada debe ser utilizada para realizar este mantenimiento.
5. Un equipo de Ventilación Flexible, disponible a costo extra, puede utilizarse cuando el escape de la secadora esta situado en lugares difíciles de alcanzar. Este equipo viene en dos piezas, una se adjunta a la secadora y la otra a la salida del escape de la pared. Después de haber fijado las dos piezas por separado a la secadora y a la pared, la secadora puede retornar a su posición final, para luego conectar las dos piezas entre si.
7. Usualmente, el tambor de la secadora no necesita cuidado. Limpie el exterior de la secadora cuando sea necesario, y siempre inmediatamente cuando se derrame en la secadora cualquier detergente, blanqueador, u otro producto para lavar, debido que estos productos pueden causar daños permanentes al acabado exterior de la secadora.
8. Limpie el panel de control con un paño húmedo cuando sea necesario. Advertencia: los productos de pre-lavados en spray pueden dañar el acabado del panel de control.
9. Por favor limpie el filtro de pelusa antes o después de secar cada carga.
10. Siempre asegúrese que el filtro de pelusa esté limpio antes de empezar una nueva carga, debido a que un filtro de pelusa obstruido puede aumentar el tiempo de secado.
11. Anualmente remueva el filtro de pelusa y colóquelo bajo el ducto de la aspiradora. Vea el ítem #2 arriba.
12. Por favor note que el diagrama de cableado se localiza dentro de la cubierta de los controles de la secadora. Etiquete todos los cables antes de desconectarlos al darle mantenimiento a la secadora, debido a que errores en el cableado pueden causar lesiones serias a usted y daño a su secadora.

Limpieza de la Malla de Pelusa

1. Limpie el filtro de pelusa antes o después de haber secado cada carga. Siempre asegúrese que el filtro de pelusa esté limpio antes de empezar una nueva carga, debido a que un filtro de pelusa obstruido puede aumentar el tiempo de secado.
2. Para limpiarlo, tire de la malla de pelusa hacia arriba y enrolle la pelusa fuera de la malla con los dedos. No enjuague o lave la malla para remover la pelusa, debido a que la pelusa mojada es difícil de quitar. Empuje la malla de pelusa firmemente de vuelta a su lugar.
3. Siempre asegúrese que la malla de pelusa esté firmemente colocada antes de operar la secadora. Operar la secadora sin la malla de pelusa puede causar sobrecalentamiento y causar daño a la secadora como a los artículos que está secando.
4. Algunas prendas pueden vertir más pelusa que otras (toallas por ejemplo), ocasionando que el filtro atrapapelusa se llene muy rápido. Remueva la pelusa de la malla de pelusa antes y después de haber secados estos artículos, tales como toallas nuevas.
5. En el caso que la pelusa se caiga de la malla dentro de la secadora durante la remoción, verifique el conducto de escape y quite cualquier pelusa.
6. El detergente para lavar y los residuos del suavizante de tela se pueden acumular en la malla de pelusa, causando tiempos de secado más largos. La malla probablemente se bloqueará si cae pelusa sobre ella. Con el fin de prevenir este tipo de acumulación, y ayudar a asegurar un funcionamiento adecuado de su secadora, limpie la malla de pelusa con un cepillo de nailon cada seis meses, o si es necesario, más frecuentemente. El filtro de pelusa también puede lavarse de la siguiente manera:
  - a) Después de haber enrollado la pelusa fuera de la malla con los dedos, moje ambos lados de la malla con agua caliente o tibia.
  - b) Moje un cepillo de nailon con agua caliente y detergente líquido y restriegue la malla de pelusa para remover la acumulación de residuos de detergente y suavizante de tela.
  - c) Repita el proceso como sea necesario.
  - d) Después que los residuos hayan sido removidos, enjuague la malla con agua caliente.
  - e) Después de secar la malla de pelusa con una toalla limpia, Coloque firmemente la malla de vuelta en la secadora.

Las siguientes son las instrucciones para encender y utilizar su nueva secadora. Por favor refiérase a las secciones específicas de este manual para información más detallada. Advertencia Importante: Para reducir el riesgo de incendio, choque eléctrico, o lesiones personales lea este manual completamente, incluyendo las Instrucciones de Seguridad Importantes, antes de operar esta secadora.



## ⚠ ADVERTENCIA! Peligro de Explosión

- Mantenga materiales y vapores inflamables como gasolina, lejos de la secadora.
- No seque nada que haya tenido contacto con algo inflamable (aún habiéndolo lavado).
- El no llevar a cabo estas instrucciones puede resultar en muerte, explosión, o incendio. MUY

## ⚠ ADVERTENCIA! Peligro de Incendio

- Ninguna lavadora puede remover por completo el aceite.
- Nunca seque nada que haya tenido contacto con algún tipo de aceite (incluyendo aceite de cocinar).
- Artículos que contengan espuma, hule, o plástico deben secarse en un tendedero o utilizando un Ciclo de Aire.
- El no llevar a cabo estas instrucciones puede resultar en muerte o incendio.

### 1 Botón de encendido

- Use este botón para encender o apagar el aparato.

## 2 Selección del ciclo

- Marcando con la perilla, seleccione el ciclo deseado basándose en los tipos de colada y las condiciones existentes.

### 1. Ciclo de Sensor Dry[sensor de secado]

Seleccione el ciclo de secado que concuerde con el tipo de carga que desea secar.

(Vea la tabla de Características Preestablecidas de los Ciclos Sensor Dry[sensor de secado] y Manual. Los Ciclos de Sensor Dry[sensor de secado] le permiten ajustar el ciclo con la carga que está secando. Cada ciclo seca ciertas telas a la temperatura recomendada. Un sensor detecta la humedad en la carga y ajusta automáticamente el tiempo de secado para un secado óptimo.

#### Algodón/Toallas

Use este ciclo para obtener temperatura medio-high para secar toallas, mezclilla.

#### Normal

Use para secar telas firmes como ropa de trabajo casual.

#### Prensar perm.

Use para planchado permanente y para prendas sintéticas.

#### Delicados

Use para secar telas sintéticas, tejidos lavables y telas de no planchar.

Características Predeterminadas del Ciclo de Sensor Dry[sensor de secado]		
Tipos de Cargas del Ciclo de Sensor Dry [sensor de secado]	Temperatura	Tiempo* (Minutos)
<b>COTTON/TOWELS [ALGODÓN/TOALLAS]</b> Toallas, pantalones de algodón	<b>Medium High [Mediano Alto]</b>	55
<b>NORMAL</b> Ropa de Trabajo, pana	<b>Medium [Mediano]</b>	41
<b>PERM. PRESS [PRENSAR PERM.]</b> Sintéticos, planchado permanente	<b>Low[Bajo]</b>	36
<b>DELICATES [DELICADOS]</b> Ropa Interior, playeras, blusas	<b>Low[Bajo]</b>	32

## 2. Ciclos Manuales

Use los Ciclos Manuales para seleccionar una cantidad específica de tiempo de secado y una temperatura de secado. Cuando un Ciclo Manual es seleccionado, la pantalla del estimated time remaining(Tiempo Restante Estimado) muestra el tiempo actual restante en su ciclo. Usted puede cambiar el tiempo actual presionando los botones more time y less time(Más Tiempo y Menos Tiempo).

#### Secado Rápido

Use para cargas pequeñas o cargas que necesiten poco tiempo de secado.

#### Fresco

Use este ciclo para eliminar arrugas de las prendas, tales como aquellas guardadas en maletas o prendas arrugadas por haberse quedado mucho tiempo en la secadora.

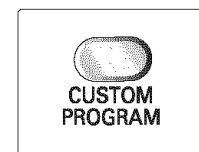
#### Aire Seco

Use el Modificador de Aire Seco para prendas que no necesiten calor para secarse como el hule, plástico y telas sensibles al calor.

Características Predeterminadas del Ciclo Manual		
Seco Manualmente Carga de Ciclos Tipo	TEMP.	TIEMPO FIJADO EN FABRICA* (MINUTOS)
<b>SPEED DRY [Secado Rápido]</b> Cargas Pequeñas	<b>High[Alto]</b>	25
<b>FRESHEN UP [Fresco]</b> Quita Arrugas	<b>Medium High [Mediano Alto]</b>	20
<b>AIR DRY[Aire Seco]</b>	<b>Aire Seco</b>	30

## 3 PROGRAMA PERSONALIZADO

Programación personalizada para ajustar su combinación favorita de distintos ajustes y guardarlos aquí para rellamarlos con un simple toque de un botón.

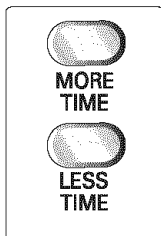


1. Seleccione un ciclo.
2. Cambie DRY LEVEL y TEMP CONTROL.
3. Seleccione OPTIONS, las que desee.
4. Mantenga pulsado CUSTOM PROGRAM.

Para volver a llamar su CUSTOM PROGRAM (PROGRAMA PERSONALIZADO) guardado Pulse CUSTOM PROGRAM y, a continuación, START/PAUSE.

#### 4 Botón de cambio de tiempo

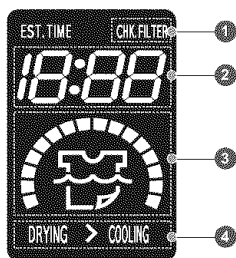
- Pulse MORE TIME o LESS TIME hasta ajustar el tiempo de secado deseado.



**Nota**

El botón de cambio del tiempo está disponible sólo con secado manual, secado por tiempo y secado por nivel.

#### 5 La Pantalla de LED



##### 1. RECORDATORIO DE REVISIÓN DE FILTRO

La pantalla mostrará CHECK FILTER cuando se ha encendido la secadora como un recordatorio para revisar el filtro. Se apaga cuando se aprieta el botón START/PAUSE.

**⚠ ADVERTENCIA!**

- Para lograr un mejor secado y seguridad, limpie el filtro de pelusillas o hilos con cada uso.
- El no llevar a cabo estas instrucciones puede resultar en muerte, explosión, o incendio. MUY

##### 2. Tiempo rest. estimado

La pantalla muestra el tiempo restante estimado. Además de ello, si la secadora tiene algún problema, aparecerán mensaje de error en pantalla.

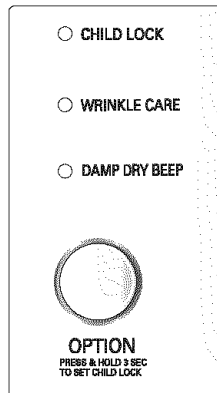
##### 3. INDICADOR DE FINALIZACIÓN DE CICLO

Muestra la porción del ciclo de secado actual que se ha completado.

##### 4. PANTALLA DE ESTADO/CICLO (STATUS/CYCLE)

Esta porción de la pantalla muestra el ciclo seleccionado, estado de funcionamiento y mensajes especiales. Si el ciclo tiene instrucciones especiales, también se mostrarán en esta área.

#### 6 Botones OPCIÓN



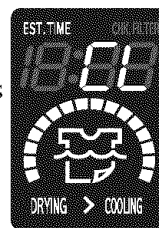
##### 1. Control paterno

El control paterno puede usarse para evitar que sus niños hagan un uso indebido del panel de control mientras la secadora está funcionando. Cuando el control paterno está activado, todos los botones estarán bloqueados y el botón del control paterno se iluminará.

Para bloquear

Pulse y mantenga pulsado OPTION por 3 segundos. Oírás un tono de zumbador y verá aparecer CL en la ventana de estado.

Para desbloquear el control paterno, pulse y mantenga pulsado OPTION por 3 segundos de nuevo.



##### 2. Cuidado arrugas

Esta opción le ayuda a evitar que queden arrugas en sus prendas de vestir.

Cuando seleccione la opción libre de arrugas, la secadora dará vueltas periódicamente hasta 3 horas una vez completado el ciclo.

Puede usar esta opción en casi de que no pueda sacar la colada terminado el secado.



##### 3. Beeper de Secado Húmedo

Cuando selecciona la opción de Alarma de Secado Húmedo, una alarma lo alertará cuando su carga esté aproximadamente al 80% seco.

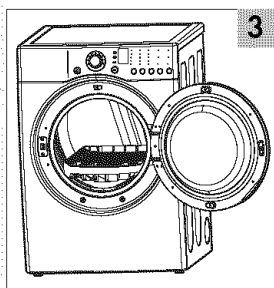
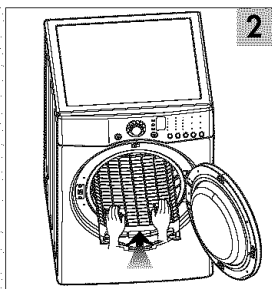
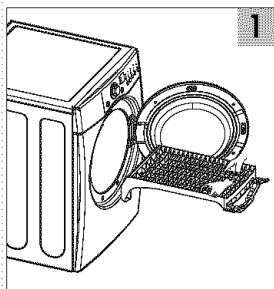
Esta alarma le permitirá retirar las prendas ligeras que estén ya secas u otras prendas que quiera planchar.



**4. Secado con Parrilla**

El perchero de secado viene incluido en su secadora. Retire y deseche el material envolvente antes de usarlo. Use el Rack Dry [Secado con Parrilla] para artículos que usted no quiera secar dando vueltas, así como suéteres. Cuando use el perchero de secado con calor, el aire caliente dentro de la secadora fluirá en una trayectoria concentrada que permitirá un secado uniforme y eficiente. Utilice el Tiempo de Secado para determinar el tiempo de secado deseado.

**■ PARA USAR LA PARRILLA DE SECADO**



1. Abra la puerta  
Sostenga la parrilla de secado con ambas manos.
2. Inserte la parrilla de secado dentro de la tina.
3. Asegúrese que la parrilla esté bien puesta dentro de la tina.

**Nota**

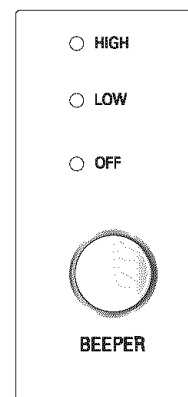
No use Rack para un secado normal. El secado con niveles se envía colocado en su sitio en su secadora, de modo que debe sacar la estantería para secados normales.

Artículos sugeridos para secado con Parrilla	Temperatura	Tiempo Sugerido* (Minutos)
Prendas de Lana lavables	Low [Bajo]	20
Juguetes rellenos de algodón o de poliéster	Low/Ultra Low [Bajo/Ultra Bajo]	20/30
Juguetes rellenos de hule espuma	Air Dry [Aire Seco] Ultra Low [Ultra Bajo]	50/30
Almohadas de hule espuma	Air Dry [Aire Seco]	50
Zapatos atléticos	Air Dry [Aire Seco]	20

\* Reinicie el tiempo lo necesario para completar el secado.

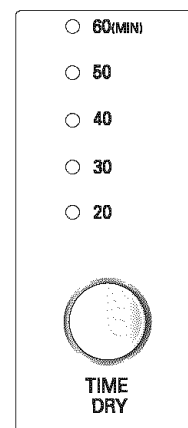
**7 Alarma**

La beeper [Alarma] controla el volumen de la señal que se emite cuando se presiona algún botón en el panel de control y cuando la conclusión de algún ciclo es indicado. Presione beeper [Alarma] para ajustar el nivel del sonido o para apagar la señal.



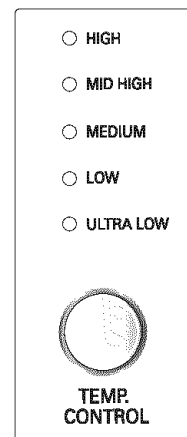
**8 Control tiempo secado**

Opción seca del tiempo del uso para cambiar tiempo de secado en sus el propios usted puede seleccionar el tiempo deseado de la operación manualmente presionando el botón seco del tiempo que se extiende a partir del 20 a 60 minutos.



**9 Control temp.**

Use la opción de control del tiempo para seleccionar las temperaturas par a los ciclos manuales. Pulse TEMP CONTROL hasta que se ilumine el ajuste de temperatura. Los modificadores de la temperatura no pueden usarse con los ciclos del secado por sensor.



**Quando Use Air Dry[Aire Seco]**

Utilice el Modificador de Air Seco para artículos que requieran secado sin calor, así como hule, plástico y telas sensibles al calor. Esta tabla muestra ejemplos de artículos que pueden ser secados usando el Air Seco.

Tipo de Carga	TIEMPO FIJADO EN FABRICA (MINUTOS)
Almohadas de hule espuma, sostenes y juguetes con relleno	20 - 30
Cortinas de Baño (plástico), mantelería	20 - 30
Tapetes de goma	40 - 50
Olefin, polipropileno, nailon puro	10 - 20

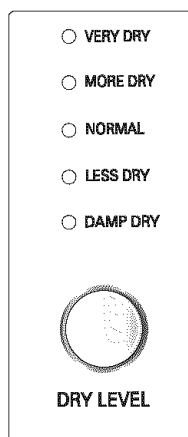
Si es necesario, reinicie el ciclo para completar el secado.

- Verifique que todas las cubiertas estén completamente cerradas.
- Agite y mulla las almohadas con las manos periódicamente durante el ciclo.
- Seque los artículos completamente. Las almohadas de hule espuma tardan en secar.

**NOTA:** Aire Seco no está disponible con el Sensor Ciclos de SENSOR DRY[sensor de secado]

**10 Nivel secado**

- Use este botón para ajustar el nivel de secado.
- Primero, seleccione el ciclo de secado por sensor.
- Seleccione el nivel de secado para ajustar cuánto desea secar la carga. Según se ejecuta el ciclo, el control detecta el nivel de sequedad de la carga y ajusta el tiempo automáticamente basándose en el nivel de sequedad seleccionado.



**Nota**

Las selecciones de NIVEL DE SECADO sólo pueden realizarse mientras se usan ciclos de secado por sensor seleccionando MORE (más) secado o LESS (menos) secado para ajustar automáticamente el tiempo necesario ya detectado.

**11 Botón de arranque / pausa**

- Use este botón para arranque o pausa.

**Arranque de seu secadora**

**1. Antes de usar**

- Limpie la pantalla de hilos antes y después de cada ciclo.
- Coloque la colada en la secadora y cierre la puerta. Consulte el apartado de carga.
- illegible parts - cannot read properly - please re-send

**Los siguientes son ejemplos de cargas para Secadoras de Súper Capacidad:**

<b>Heavy Work Clothes [Ropas de Uso Pesado]</b> 4 pantalones vaqueros 4 pantalones de trabajo 4 camisas de trabajo	2 pantalones de ejercicios 2 sudaderas
<b>Towels[Toallas]</b> 10 toallas de baño 10 toallas de mano	14 paños para limpiar
<b>Mixed Load[Carga Mixta]</b> 3 sábanas (1 grande, 2 medianas) 4 fundas de almohadas 3 camisas 3 blusas	9 camisetas 9 calzoncillos 10 pañuelos

**2. Carga**

- Determine el tamaño de la carga por la cantidad de espacio que la carga requiere más bien que el peso de la carga.
- Evite de sobrecargar el secador. Después de estos la instrucción puede ayudar a reducir su cuenta para uso general, a prolongar la vida de sus ropas, y a disminuir la probabilidad de la sequedad y de la arruga desiguales.

**3. Para usar un ciclo de secado por sensor**

- Seleccione DRY LEVEL para ajustar el nivel de sequedad que desea alcanzar en la carga. Según se ejecuta el ciclo, el control detecta la sequedad existente en la carga y ajusta el tiempo automáticamente para alcanzar el nivel seleccionado.
- Seleccione las opciones deseadas.
- Pulse START/PAUSE.

**Nota**

Las selecciones de NIVEL DE SECADO sólo pueden realizarse mientras se usan ciclos de secado por sensor seleccionando MORE (más) secado o LESS (menos) secado para ajustar automáticamente el tiempo necesario ya detectado.

**4. Para usar un ciclo de manual por sensor**

- Seleccione un ciclo de secado manual.
- Pulse MORE TIME o LESS TIME hasta que el tiempo de secado aparezca en pantalla. Seleccione MORE TIME o LESS TIME y el tiempo cambiará en intervalos de 1 minuto.

**Nota**

La función MORE TIME o LESS TIME puede usarse con secado manual, secado por tiempo y secado rack (con niveles).

- Pulse TEMP. CONTROL hasta que se ilumine el indicador de temperatura deseado.
- (PASO OPCIONAL) Si lo desea, seleccione OPTIONS.  
Para más detalles, consulte Opciones.
- Pulse START/PAUSE. Asegúrese de que la puerta está cerrada.
- Si no pulsa START/PAUSE antes de que pasen 10 minutos una vez realizada la selección del ciclo, la secadora se apagará automáticamente.
- Si desea terminar su ciclo de secado una vez pulsado START/PAUSE, pulse de nuevo START/PAUSE.

Para detener su secadora en cualquier momento Pulse START/PAUSE o abra la puerta.

**5. Pausar o reiniciar. Para pausar la secadora en cualquier momento**

Abra la puerta o pulse START/PAUSE una vez.

**Para reiniciar la secadora**

Cierre la puerta. Pulse START/PAUSE.

**Nota**

El secado continuará desde el punto en el que se interrumpió el ciclo si cierra la puerta y pulsa START antes de que pasen 10 minutos. Si el ciclo se interrumpió más de 10 minutos, la secadora se apagará. Seleccione nuevos ajustes de ciclo antes de reiniciar la secadora.

**Mantenimiento**

**No es muy difícil mantener cuidada su secadora.**

Todo lo que tiene que hacer es seguir los siguientes pasos.

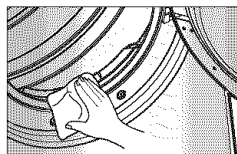
Limpie el filtro y asegúrese de tenerlo limpio antes de cualquier uso.

No limpiarlo ocasiona que el secado sea más tardado y gaste más energía

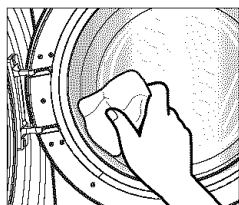
Sin seguir estas instrucciones, la vida de la secadora se acorta mucho

**Limpiar el filtro atrapapelusa**

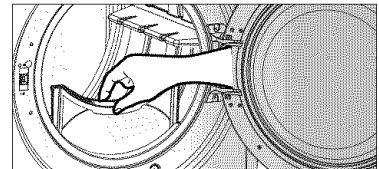
1. Limpie la apertura de la puerta. De otra manera, se genera polvo y residuos que pueden dañar la cerradura de la puerta



2. Limpie la puerta transparente para mantener una vista clara a través del vidrio.

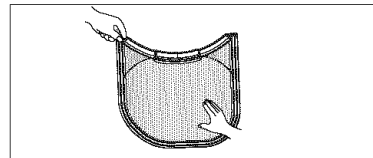


1. Abra la puerta y jale el filtro atrapapelusa

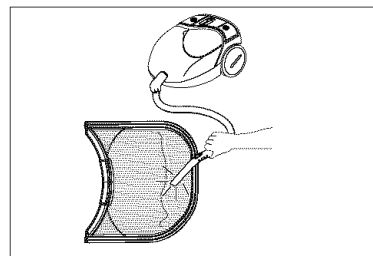


2. Limpiar el filtro usando una de las siguientes formas en los casos.

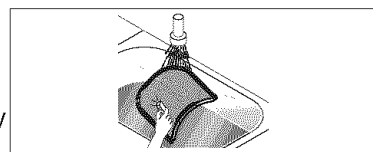
- ① Usar los dedos a través del filtro



- ② Aspire el filtro



- ③ Lave el filtro con jabón y agua caliente. Seque fuertemente y reemplace.



Consejos para la solución de problemas  
 Ahorre tiempo y dinero! Primero revise las tablas en las siguientes  
 páginas y quizás no necesite llamar a servicio.

**1. Problema: Mi Secadora no Arranca**

Pregunta	Qué Hacer
• Está la Secadora conectada?	Confirme que el enchufe de la secadora esté completamente insertado en el tomacorriente del cuarto de lavado.
• Está el fusible fundido, o el disyuntor disparado?	Verifique la caja de fusibles/disyuntores del cuarto de lavado de su casa y cambie los fusibles o reconecte los disyuntores. (IMPORTANTE: generalmente las secadoras eléctricas usan dos fusibles o disyuntores.)

**2. Problema: Mi Secadora no Calienta**

Pregunta	Qué Hacer
• Está el fusible fundido, o el disyuntor disparado?	Si el fusible está fundido o el disyuntor disparado, la secadora quizás de vueltas pero no calienta. Verifique la caja de fusibles/disyuntores del cuarto de lavado de su casa y cambie los fusibles o reconecte los disyuntores. (IMPORTANTE: generalmente las secadoras eléctricas usan dos fusibles o disyuntores.)
• Está el suministro o servicio de gas bloqueado o apagado?	Confirme que las válvulas de apagado de gas de la casa y de la secadora estén completamente abiertas.

**3. Problema: Hay Manchas de Grasa en la Ropa**

Pregunta	Qué Hacer
• Siguió usted las instrucciones del empaque del suavizante de telas?	Confirme y siga las instrucciones provistas con el suavizante de telas.
• Está usted secando ropa limpia y ropa sucia juntas?	Asegúrese de usar su secadora para secar prendas limpias solamente, debido a que prendas sucias pueden manchar la ropa limpia que están en la misma carga o colocadas posteriormente en el tambor de lavado.
• Estaban sus prendas completamente limpias?	Las manchas en la ropa seca son manchas que no fueron eliminadas durante el proceso de lavado. Por favor revise y confirme que se están siguiendo las instrucciones de lavado y que la ropa está quedando completamente limpia.

**4. Problema: Mi Secadora muestra "Error"**

Pregunta	Qué Hacer
tE1	Se muestra cuando el Thermistor no esta conectada. En este caso, el thermistor debe ser reemplazadoy llamar al centro de servicio.
tE2	Se muestra cuando el thermistor es muy corto. En este caso, el thermistator debe ser reemplazado y llamar al centro de servicio.

**4. Problema : Hay Pelusa en la Ropa**

Pregunta	Qué Hacer
• Está el filtro de pelusa lleno?	Por favor refiérase a la sección del manual sobre la limpieza del filtro de pelusa, y confirme que filtro de pelusa esté limpio. Es importante que el filtro de pelusa esté limpio antes de una nueva carga.
• Clasificó adecuadamente la carga de ropa?	Para reducir la cantidad de pelusa en una carga de ropa, clasifique los productores de pelusas (como toalla vellosa blanca de algodón ) separadamente de las ropas que puedan coger pelusas (como pantalones negros de lino).
• Tiene la ropa exceso de electricidad estática?	Vea los siguientes comentarios bajo: Hay estática en mi ropa después del secado.
• Sobrecargó su secadora?	Divida las cargas grandes en cargas pequeñas.
• Colocó algún papel, servilleta u otro material similar en la carga?	Algunas veces se olvida retirar de los bolsillos del pantalón un pedazo de papel o servilleta, y este papel, servilleta o material similar puede causar exceso de pelusa en una carga. Confirme que los bolsillos de los pantalones, camisas y de otros artículos estén vacíos antes del lavado y secado.

**5. Problema: Ocurre Estática en la Ropa después del Secado**

Pregunta	Qué Hacer
• Utiliza suavizante de tela?	Trate usando un suavizante de telas para reducir la electricidad estática.
• Secó en exceso la carga?	El secado en exceso de la carga puede causar una acumulación de electricidad estática. Trate usando un suavizante de telas o ajuste las características y utilice un tiempo de secado más corto.
• Está secando telas sintéticas, planchado permanente y mezclas?	Estos materiales pueden causar acumulación de estática en una carga de ropa seca. Trate usando un suavizante de telas.

**6. Problema: El Tiempo de Secado no es Consistente**

Pregunta	Qué Hacer
• Está usando calor consistente y tamaños de cargas consistentes?	El tiempo de secado para una carga varía dependiendo de las características del calor, tipo de calor usado (eléctrico, gas natural o LP), el tamaño de la carga, el tipo de tela, la humedad de las prendas, y la condición de los ductos de escape y filtro de pelusa.

**7. Problema: 3. Se ha detectado agua alrededor de la tapa de la carcasa al abrir la puerta.**

Pregunta	Qué Hacer
• ¿Existe agua alrededor de la tapa de la carcasa al abrir la puerta?	No está fuera de servicio, ya que se trata de agua provocada por la condensación durante el secado.

**8. Problema: Las Prendas Toman Mucho Tiempo en Secarse**

Pregunta	Qué Hacer
• Clasificó sus cargas de ropa adecuadamente?	Separe los artículos pesados de los livianos cuando clasifique las cargas.
• Está secando cargas grandes de ropa pesada?	La ropa pesada tarda más tiempo en secarse porque tienden a retener más humedad. Para ayudar a reducir y mantener tiempos de secado más consistentes para telas grandes y pesadas, separe estos artículos en cargas más pequeñas de un tamaño consistente.
• Están los controles de secado ajustados correctamente?	Use el ajuste de control adecuado para el tipo de carga que está secando.
• Está el filtro de pelusa limpio antes de cada carga nueva?	Por favor confirme que el filtro de pelusa esté limpio antes de cada carga nueva.
• Están los ductos de escape limpios y debidamente configurados?	Confirme revisando las secciones apropiadas de este manual que la instalación del escape esté debidamente configurada. Confirme que la ventilación esté libre de obstrucciones. Confirme que las compuertas de la pared exterior se mueven libremente, que las compuertas no estén siendo empujadas hacia adentro, y que nada se esté recargado contra las compuertas.
• Está el fusible fundido, o el disyuntor disparado?	Verifique la caja de fusibles/disyuntores del cuarto de lavado de su casa y cambie los fusibles o reconecte los disyuntores. (IMPORTANTE: generalmente las secadoras eléctricas usan dos fusibles o disyuntores.)
• Sobrecargó su secadora?	Divida sus cargas grandes en cargas más pequeñas.
• Muy poca carga en su secadora?	Si sólo está secando pocos artículos, añada unas cuantas piezas más para ayudar a una adecuada acción giratoria.

**9. Problema: Las Prendas están Arrugadas**

Pregunta	Qué Hacer
• Está secando demasiado su ropa?	El secar demasiado una carga puede conducir a que se arrugue la ropa. Trate con un tiempo de secado más corto, y remueva las prendas cuando aún tengan algo de humedad.
• Está usted removiendo su ropa de la secadora inmediatamente después que el ciclo de secado es completado?	Remueva su ropa de la secadora después de finalizado el ciclo de secado y cuelgue o doble las prendas.

**10. Problema: Las Prendas se Encogen**

Pregunta	Qué Hacer
• Está usted siguiendo las instrucciones sobre el cuidado de sus prendas.	Para evitar encogimiento, por favor siga cuidadosamente las instrucciones sobre cuidado y uso de sus prendas, debido a que algunas telas se encogen naturalmente cuando se lavan. Otras telas pueden ser lavadas pero se encogen cuando son secadas en secadoras.

**11. Problema: RLM (Monitor remoto de lavado)**

Pregunta	Qué Hacer
• Problemas con RLM	Revise el manual de Usuario del modem RLM & PLC.

# GARANTIA LIMITADA DE LA SECADORA LG - USA



## LG ELECTRONICS, INC Garantía Limitada para Secadora LG

Su Secadora LG será reparada o reemplazada, a opción de LG, si demuestra estar defectuosa en material o mano de obra bajo uso normal, durante el periodo de garantía ("Periodo de garantía) que se menciona a continuación, efectiva desde la fecha (Fecha de Compra) original de compra del producto. Esta garantía solo es valida para el comprador original del producto y es efectiva solo en los Estados Unidos, incluyendo Alaska, Hawai y otros territorios de EE.UU..

<u>PERIODO DE GARANTIA</u>	<u>CÓMO SE MANEJA EL SERVICIO</u>
<p><b>MANO DE OBRA:</b> Un Año desde la fecha de compra</p> <p><b>PARTES:</b> Un Año desde la fecha de compra</p> <p>Las unidades reemplazadas y las partes reparadas pueden ser nuevas o remanufacturadas en la fabrica.</p> <p>Las unidades reemplazadas y las partes reparadas están garantizadas por la porción restante del periodo de garantía de la unidad original.</p>	<p><b>Servicio a Domicilio:</b> Por favor conserve el recibo Con fecha o boleto de entrega como evidencia de la fecha de compra como prueba de la garantía, y proporcione una copia del recibo de compra a la persona de servicio en el momento en que un servicio sea proporcionado</p> <p><b>Por favor llame al: 1-800-243-0000 y escoja la opción adecuada para ubicar el Centro Autorizado de Servicio LG mas cercano,</b> (los teléfonos son contestados Las 24 horas, los 365 días del año)</p> <p>O vivite nuestro sitio web en: <a href="http://www.lgservice.com">http://www.lgservice.com</a></p>

**ESTA GARANTIA ESTA EN LUGAR DE CUALQUIER OTRA GAERANTIA, EXPRESA O IMPLICADA, INCLUYENDO SIN NINGUNA LIMITACION, CUALQUIER GARANTIA DE COMPRA O ADAPTACION PARA UN PROPOSITO PARTICULAR, HASTA EL PUNTO QUE CUALQUIER GARANTIA ES REQUERIDA POR LEY, ES LIMITADA EN DURACION AL PERIODO DE GARANTIA, NI EN FABRICANTE (LG) NI SUS DISTRIBUIDORES EN EE.UU SE HACEN RESPONSABLES POR NINGUN DAÑO INCIDENTAL, CONSECUENTE, INDIRECTO, ESPECIAL O PUNITIVO DE CUALQUIER NATURALEZA, INCLUYENDO SIN LIMITACION, PERDIDA DE GANANCIAS, O CUALQUIER OTRO DAÑO YA SEA BASADO EN CONTRATO, AGRAVIO O DE OTRA MANERA.**

Algunos estados no permiten la exclusión o limitación de daños incidentales o consecuentes o limitaciones de cuanto dura una garantía, así que las exclusiones o limitaciones mencionadas anteriormente pueden no aplicar a usted. Esta garantía le da derechos legales especificos y también puede tener otros derechos que varían de estado a estado.

### Esta garantía limitada no aplica a:

Viajes de servicio para entregar, recoger, y/o instalar el producto, instruir, o reemplazar fusibles o corregir cableado, o corrección de reparaciones no autorizadas.

Daños o problemas de operación que resulten de mal uso, abuso, operación fuera de especificaciones ambientales o contraria a los requerimientos o precauciones en el manual de operación, accidente, bicho, fuego, inundación, instalación inadecuada, actos de dios, modificaciones o alteraciones no autorizadas, corriente o voltaje incorrectos, o uso comercial o cualquier otro uso diferente al intencionado.

### NUMEROS DEL CENTRO INTERACTIVO DE CLIENTES

Para obtener asistencia a clientes, información del producto, o distribuidor o la localidad de un centro autorizado de servicio:	Lame al <b>1-800-243-0000</b> (24 horas al día, 365 dias al año) y seleccione la opción adecuada del menú.
--	--

### PARA CONTACTAR A LG ELECTRONICS POR CORREO:

Centro Interactivo del Cliente LG  
P.O. Box 240007  
201 James Record Road  
Huntsville, Alabama 35824  
ATTN: CIC