



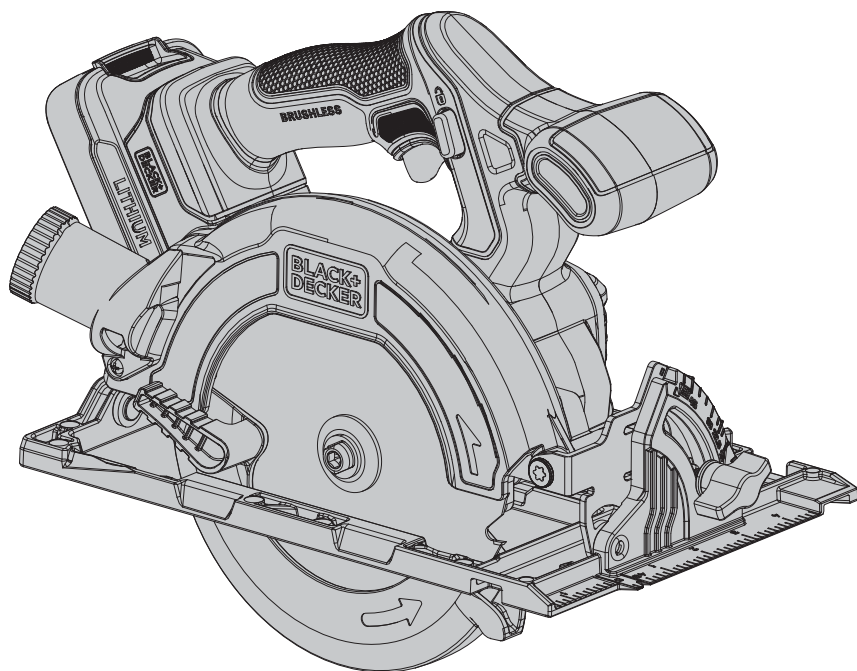
INSTRUCTION MANUAL
MODE D'EMPLOI
MANUAL DE INSTRUCCIONES

BLCS78

Cordless Brushless Circular Saw

Scie circulaire sans fil à moteur sans balais


Sierra circular inalámbrica sin escobillas



Please read before returning this product for any reason.

À lire avant de retourner ce produit pour quelque raison que ce soit.

Lea el manual antes de devolver este producto por cualquier motivo.

 **WARNING: Read all safety warnings, instructions, illustrations, and specifications in this manual, including the battery and charger sections provided in an original tool manual or the separate Batteries and Chargers manual.**

Manuals can be obtained by contacting Customer Service. Failure to follow the warnings and instructions may result in electric shock, fire and/or serious injury.

Definitions: Safety Alert Symbols and Words

This instruction manual uses the following safety alert symbols and words to alert you to hazardous situations and your risk of personal injury or property damage.


▲ DANGER: Indicates an imminently hazardous situation which, if not avoided, **will result in death or serious injury.**

▲ WARNING: Indicates a potentially hazardous situation which, if not avoided, **could result in death or serious injury.**

▲ CAUTION: Indicates a potentially hazardous situation which, if not avoided, **may result in minor or moderate injury.**

▲ (Used without word) Indicates a safety related message.

NOTICE: Indicates a practice not related to personal injury which, if not avoided, **may result in property damage.**

 **AVERTISSEMENT : lire tous les avertissements de sécurité, les instructions, les illustrations et les caractéristiques de ce manuel, y compris les sections sur les piles et les chargeurs fournies dans un manuel d'origine de l'outil ou dans le manuel séparé sur les piles et les chargeurs.** Les manuels peuvent être obtenus en contactant le service à la clientèle. Le fait de ne pas suivre les avertissements et les instructions peut entraîner un choc électrique, un incendie et/ou des blessures graves.

Définitions : symboles et termes d'alarmes sécurité

Ces guides d'utilisation utilisent les symboles et termes d'alarmes sécurité suivants pour vous prévenir de situations dangereuses et de risques de dommages corporels ou matériels.

▲ DANGER : indique une situation dangereuse imminente qui, si elle n'est pas évitée, **entraînera la mort ou des blessures graves.**

▲ AVERTISSEMENT : indique une situation potentiellement dangereuse qui, si elle n'est pas évitée, **pourrait entraîner la mort ou des blessures graves.**

▲ ATTENTION : indique une situation potentiellement dangereuse qui, si elle n'est pas évitée, **pourrait entraîner des blessures légères ou modérées.**

▲ (Si utilisé sans aucun terme) Indique un message propre à la sécurité.

AVIS : indique une pratique ne posant **aucun risque de dommages corporels** mais qui par contre, si rien n'est fait pour l'éviter, **pourrait poser des risques de dommages matériels.**

 **ADVERTENCIA: Lea todas las advertencias de seguridad, instrucciones, ilustraciones y especificaciones de este manual, incluyendo las secciones sobre la batería y el cargador proporcionadas en un manual original de la herramienta o en el manual de Baterías y Cargadores por separado.** Los manuales se pueden obtener poniéndose en contacto con el Servicio de atención al cliente. La falla en seguir las advertencias e instrucciones puede resultar en descarga eléctrica, incendio y/o lesiones serias.

Definiciones: Símbolos y Palabras de Alerta de Seguridad

Este manual de instrucciones utiliza los siguientes símbolos y palabras de alerta de seguridad para alertarle de situaciones peligrosas y del riesgo de lesiones corporales o daños materiales.

▲ PELIGRO: Indica una situación de peligro inminente que, si no se evita, **provocará la muerte o lesiones graves.**

▲ ADVERTENCIA: Indica una situación de peligro potencial que, si no se evita, **podría provocar la muerte o lesiones graves.**

▲ ATENCIÓN: Indica una situación de peligro potencial que, si no se evita, **posiblemente provocaría lesiones leves o moderadas.**

▲ (Utilizado sin palabras) Indica un mensaje de seguridad relacionado.

AVISO: Se refiere a una práctica **no relacionada a lesiones corporales** que de no evitarse **puede resultar en daños a la propiedad.**

English (**original instructions**)

5

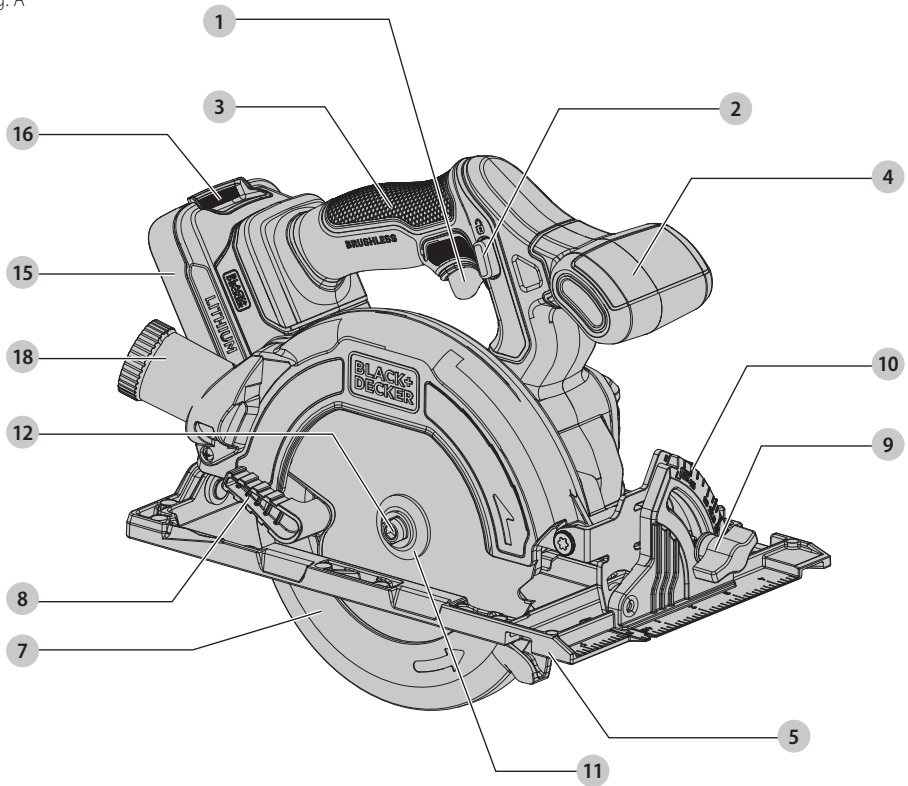
Français (*traduction de la notice d'instructions originale*)

11

Español (*traducido de las instrucciones originales*)

18

Fig. A



- 1 On/off switch
- 2 Lock-off button
- 3 Main handle
- 4 Secondary handle
- 5 Shoe
- 6 Saw blade (Fig. C)
- 7 Lower blade guard
- 8 Lower guard retracting lever
- 9 Bevel adjustment lever
- 10 Bevel angle scale
- 11 Outer blade clamp washer
- 12 Blade retaining bolt
- 13 Depth adjustment lever (Fig. H)
- 14 Spindle lock button (Fig. C)
- 15 Battery pack
- 16 Battery release button
- 17 Hex wrench (Fig. C)
- 18 Dust extraction port

- 1 Interrupteur marche/arrêt
- 2 Bouton de déverrouillage
- 3 Poignée principale
- 4 Poignée secondaire
- 5 Sabot
- 6 Lame de scie (Fig. C)
- 7 Protection inférieure de la lame
- 8 Levier de rétraction du protecteur inférieur
- 9 Levier de réglage du biseau
- 10 Échelle d'angle de biseau
- 11 Rondelle de serrage de lame extérieure
- 12 Boulon de retenue de lame
- 13 Levier d'ajustement de la profondeur (Fig. H)
- 14 Bouton de verrouillage de la tige (Fig. C)
- 15 Bloc-piles
- 16 Bouton de libération de la pile
- 17 Clé hexagonale (Fig. C)

- 1 Interruptor On/off (Encendido/ Apagado)
- 2 Botón de bloqueo de apagado
- 3 Manija principal
- 4 Manija secundaria
- 5 Zapata
- 6 Cuchilla de sierra (Fig. C)
- 7 Protección de cuchilla inferior
- 8 Palanca retráctil de protección inferior
- 9 Palanca de ajuste de bisel
- 10 Escala de ángulo de bisel
- 11 Arandela de sujeción de cuchilla exterior
- 12 Perno de retención de cuchilla
- 13 Palanca de ajuste de profundidad (Fig. H)
- 14 Botón de bloqueo de husillo (Fig. C)
- 15 Paquete de batería
- 16 Botón de liberación de batería
- 17 Llave hexagonal (Fig. C)
- 18 Puerto de extracción de polvo

Fig. B

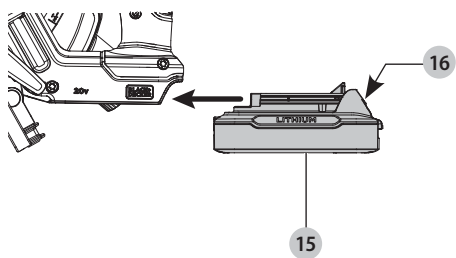


Fig. C

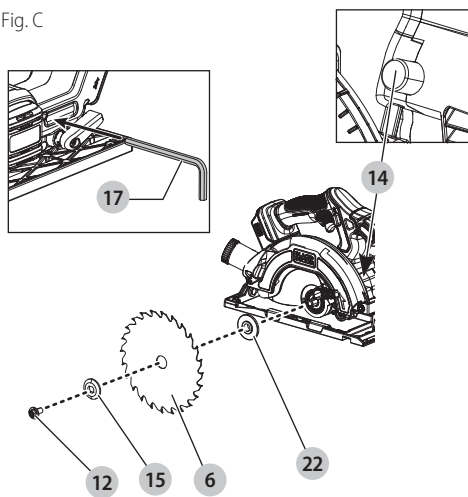


Fig. D

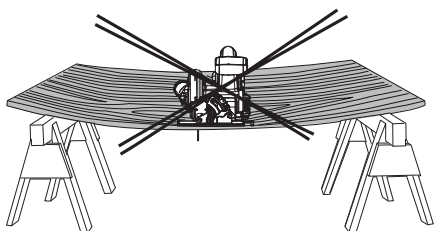


Fig. E

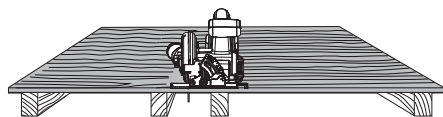


Fig. F

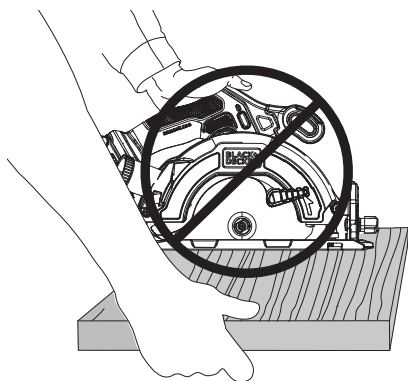


Fig. G

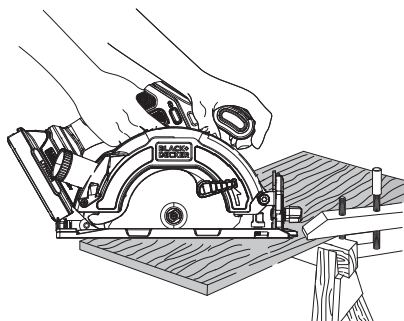


Fig. H

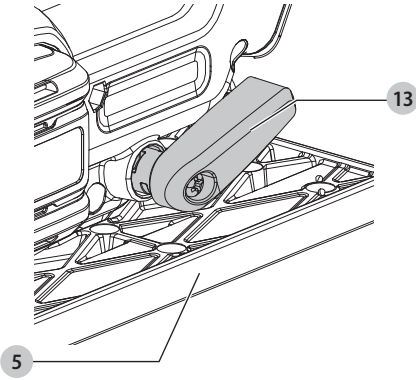


Fig. I

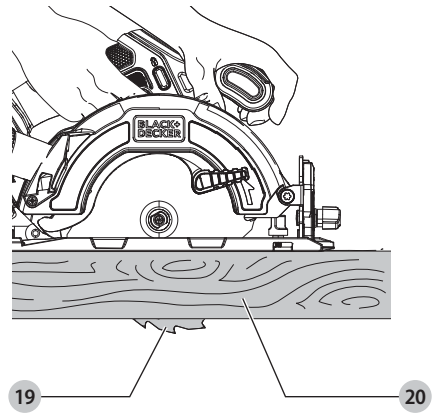


Fig. J

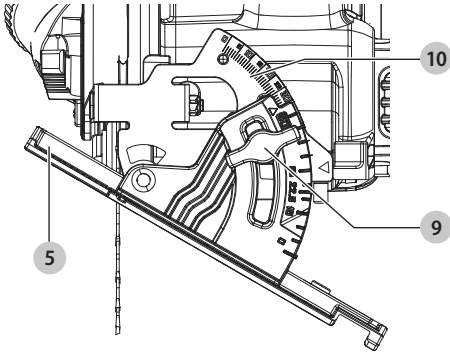


Fig. K

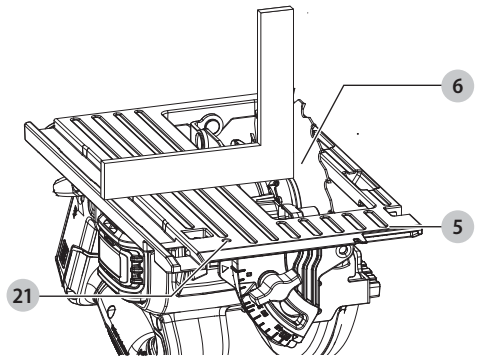


Fig. L

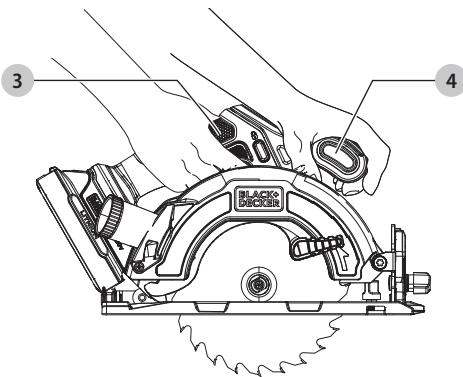


Fig. M

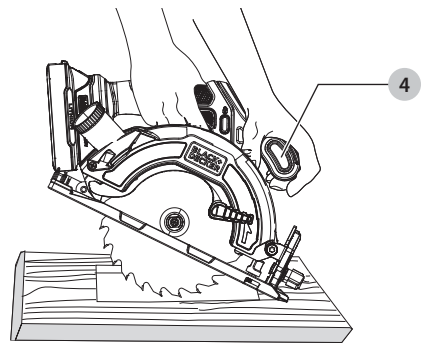
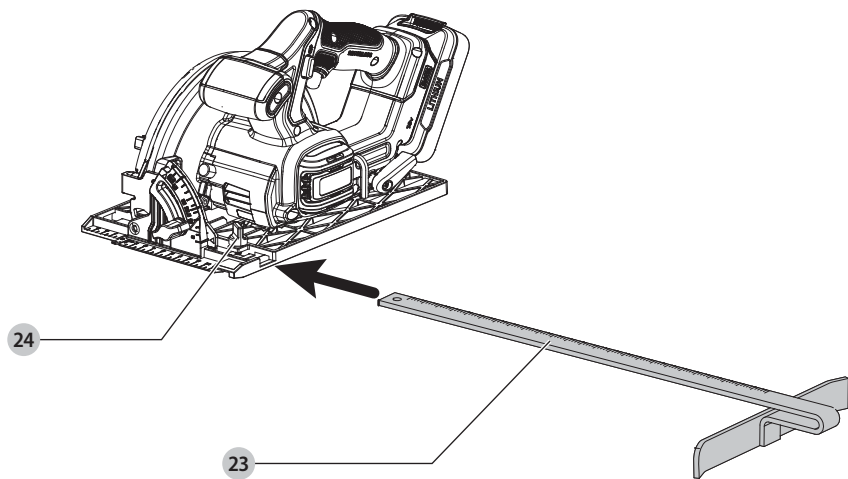


Fig. N



Intended Use

This circular saw is designed for do-it-yourself, wood-cutting applications.

▲ WARNING: Do not cut any metals, masonry, glass, tile or plastic with this saw. A dull blade will cause slow, inefficient cutting overload on the saw motor, excessive splintering, and could increase the possibility of kickback.

- DO NOT use any abrasive wheels.
- Use only blades designed for wood cutting
- DO NOT use under wet conditions or in the presence of flammable liquids or gases.
- DO NOT let children come in contact with the tool.

Supervision is required when inexperienced users operate the tool.

GENERAL POWER TOOL SAFETY WARNINGS

▲ WARNING: Read all safety warnings, instructions, illustrations and specifications provided with this power tool. Failure to follow all instructions listed below may result in electric shock, fire and/or serious injury.

SAVE ALL WARNINGS AND INSTRUCTIONS FOR FUTURE REFERENCE.

The term "power tool" in the warnings refers to your mains-operated (corded) power tool or battery-operated (cordless) power tool.

1) Work Area Safety

- a) **Keep work area clean and well lit.** Cluttered or dark areas invite accidents.
- b) **Do not operate power tools in explosive atmospheres, such as in the presence of flammable liquids, gases or dust.** Power tools create sparks which may ignite the dust or fumes.
- c) **Keep children and bystanders away while operating a power tool.** Distractions can cause you to lose control.

2) Electrical Safety

- a) **Power tool plugs must match the outlet. Never modify the plug in any way. Do not use any adapter plugs with earthed (grounded) power tools.** Unmodified plugs and matching outlets will reduce risk of electric shock.
- b) **Avoid body contact with earthed or grounded surfaces, such as pipes, radiators, ranges and refrigerators.** There is an increased risk of electric shock if your body is earthed or grounded.
- c) **Do not expose power tools to rain or wet conditions.** Water entering a power tool will increase the risk of electric shock.
- d) **Do not abuse the cord. Never use the cord for carrying, pulling or unplugging the power tool. Keep cord away from heat, oil, sharp edges or moving parts.** Damaged or entangled cords increase the risk of electric shock.
- e) **When operating a power tool outdoors, use an extension cord suitable for outdoor use.** Use of a cord suitable for outdoor use reduces the risk of electric shock.
- f) **If operating a power tool in a damp location is unavoidable, use a ground fault circuit interrupter (GFCI) protected supply.** Use of a GFCI reduces the risk of electric shock.

3) Personal Safety

- a) **Stay alert, watch what you are doing and use common sense when operating a power tool. Do not use a power tool while you are tired or under the**

influence of drugs, alcohol or medication. A moment of inattention while operating power tools may result in serious personal injury.

- b) **Use personal protective equipment. Always wear eye protection.** Protective equipment such as a dust mask, non-skid safety shoes, hard hat, or hearing protection used for appropriate conditions will reduce personal injuries.
- c) **Prevent unintentional starting. Ensure the switch is in the off-position before connecting to power source and/or battery pack, picking up or carrying the tool.** Carrying power tools with your finger on the switch or energizing power tools that have the switch on invites accidents.
- d) **Remove any adjusting key or wrench before turning the power tool on.** A wrench or a key left attached to a rotating part of the power tool may result in personal injury.
- e) **Do not overreach. Keep proper footing and balance at all times.** This enables better control of the power tool in unexpected situations.
- f) **Dress properly. Do not wear loose clothing or jewelry. Keep your hair and clothing away from moving parts.** Loose clothes, jewelry or long hair can be caught in moving parts.
- g) **If devices are provided for the connection of dust extraction and collection facilities, ensure these are connected and properly used.** Use of dust collection can reduce dust-related hazards.
- h) **Do not let familiarity gained from frequent use of tools allow you to become complacent and ignore tool safety principles.** A careless action can cause severe injury within a fraction of a second.

4) Power Tool Use and Care

- a) **Do not force the power tool. Use the correct power tool for your application.** The correct power tool will do the job better and safer at the rate for which it was designed.
- b) **Do not use the power tool if the switch does not turn it on and off.** Any power tool that cannot be controlled with the switch is dangerous and must be repaired.
- c) **Disconnect the plug from the power source and/or remove the battery pack, if detachable, from the power tool before making any adjustments, changing accessories, or storing power tools.** Such preventive safety measures reduce the risk of starting the power tool accidentally.
- d) **Store idle power tools out of the reach of children and do not allow persons unfamiliar with the power tool or these instructions to operate the power tool.** Power tools are dangerous in the hands of untrained users.
- e) **Maintain power tools and accessories. Check for misalignment or binding of moving parts, breakage of parts and any other condition that may affect the power tool's operation. If damaged, have the power tool repaired before use.** Many accidents are caused by poorly maintained power tools.
- f) **Keep cutting tools sharp and clean.** Properly maintained cutting tools with sharp cutting edges are less likely to bind and are easier to control.
- g) **Use the power tool, accessories and tool bits, etc. in accordance with these instructions, taking into account the working conditions and the work to be performed.**

Use of the power tool for operations different from those intended could result in a hazardous situation.

h) **Keep handles and grasping surfaces dry, clean and free from oil and grease.** Slippery handles and grasping surfaces do not allow for safe handling and control of the tool in unexpected situations.

5) Battery Tool Use and Care

a) **Recharge only with the charger specified by the manufacturer.** A charger that is suitable for one type of battery pack may create a risk of fire when used with another battery pack.

b) **Use power tools only with specifically designated battery packs.** Use of any other battery packs may create a risk of injury and fire.

c) **When battery pack is not in use, keep it away from other metal objects, like paper clips, coins, keys, nails, screws or other small metal objects, that can make a connection from one terminal to another.** Shorting the battery terminals together may cause burns or a fire.

d) **Under abusive conditions, liquid may be ejected from the battery; avoid contact. If contact accidentally occurs, flush with water. If liquid contacts eyes, additionally seek medical help.** Liquid ejected from the battery may cause irritation or burns.

e) **Do not use a battery pack or tool that is damaged or modified.** Damaged or modified batteries may exhibit unpredictable behavior resulting in fire, explosion or risk of injury.

f) **Do not expose a battery pack or tool to fire or excessive temperature.** Exposure to fire or temperature above 265 °F (130 °C) may cause explosion.

g) **Follow all charging instructions and do not charge the battery pack or tool outside the temperature range specified in the instructions.** Charging improperly or at temperatures outside the specified range may damage the battery and increase the risk of fire.

6) Service

a) **Have your power tool serviced by a qualified repair person using only identical replacement parts.** This will ensure that the safety of the power tool is maintained.

b) **Never service damaged battery packs.** Service of battery packs should only be performed by the manufacturer or authorized service providers.

Safety Instructions for All Saws

Cutting Procedures

a) **⚠ DANGER: Keep hands away from cutting area and the blade. Keep your second hand on auxiliary handle.** If both hands are holding the saw, they cannot be cut by the blade.

b) **Do not reach underneath the workpiece.** The guard cannot protect you from the blade below the workpiece.

c) **Adjust the cutting depth to the thickness of the workpiece.** Less than a full tooth of the blade teeth should be visible below the workpiece.

d) **Never hold the workpiece in your hands or across your leg while cutting. Secure the workpiece to a stable platform.** It is important to support the work properly to minimize body exposure, blade binding, or loss of control.

e) **Hold the power tool by insulated gripping surfaces, when performing an operation where the cutting tool may contact hidden wiring.** Contact with a "live" wire will

also make exposed metal parts of the power tool "live" and could give the operator an electric shock.

f) **When ripping, always use a rip fence or straight edge guide.** This improves the accuracy of cut and reduces the chance of blade binding.

g) **Always use blades with correct size and shape (diamond versus round) of arbor holes.** Blades that do not match the mounting hardware of the saw will run off-center, causing loss of control.

h) **Never use damaged or incorrect blade washers or bolt.** The blade washers and bolt were specially designed for your saw, for optimum performance and safety of operation.

i) **DO NOT wear loose fitting gloves or gloves with fingers.**

Further Safety Instructions for All Saws

Kickback Causes and Related Warnings:

- Kickback is a sudden reaction to a pinched, jammed or misaligned saw blade, causing an uncontrolled saw to lift up and out of the workpiece toward the operator;
- When the blade is pinched or jammed tightly by the kerf closing down, the blade stalls and the motor reaction drives the unit rapidly back toward the operator;
- If the blade becomes twisted or misaligned in the cut, the teeth at the back edge of the blade can dig into the top surface of the wood causing the blade to climb out of the kerf and jump back toward the operator.

Kickback is the result of saw misuse and/or incorrect operating procedures or conditions and can be avoided by taking proper precautions as given below:

a) **Maintain a firm grip with both hands on the saw and position your arms to resist kickback forces. Position your body to either side of the blade, but not in line with the blade.** Kickback could cause the saw to jump backwards, but kickback forces can be controlled by the operator, if proper precautions are taken.

b) **When blade is binding, or when interrupting a cut for any reason, release the trigger and hold the saw motionless in the material until the blade comes to a complete stop. Never attempt to remove the saw from the work or pull the saw backward while the blade is in motion or kickback may occur.** Investigate and take corrective actions to eliminate the cause of blade binding.

c) **When restarting a saw in the workpiece, center the saw blade in the kerf so that saw teeth are not engaged into the material.** If a saw blade binds, it may walk up or kickback from the workpiece as the saw is restarted.

d) **Support large panels to minimize the risk of blade pinching and kickback. Large panels tend to sag under their own weight.** Supports must be placed under the panel on both sides, near the line of cut and near the edge of the panel.

e) **Do not use dull or damaged blades.** Unsharpened or improperly set blades produce narrow kerf causing excessive friction, blade binding and kickback.

f) **Blade depth and bevel adjusting locking levers must be tight and secure before making the cut.** If blade adjustment shifts while cutting, it may cause binding and kickback.

g) **Use extra caution when sawing into existing walls or other blind areas. The protruding blade may cut objects that can cause kickback.**

h) **After completing the cut release the trigger immediately.**

Lower Guard Function Safety Instructions

a) **Check the lower guard for proper closing before each use. Do not operate the saw if lower guard does not move freely and close instantly. Never clamp or tie the lower guard into the open position.** If saw is accidentally dropped, lower guard may be bent. Raise the lower guard with the retracting handle and make sure it moves freely and does not touch the blade or any other part, in all angles and depths of cut.

b) **Check the operation of the lower guard spring. If the guard and the spring are not operating properly, they must be serviced before use.** Lower guard may operate sluggishly due to damaged parts, gummy deposits, or a build-up of debris.

c) **The lower guard may be retracted manually only for special cuts such as “plunge cuts” and “compound cuts.” Raise the lower guard by the retracting handle and as soon as blade enters the material, the lower guard must be released.** For all other sawing, the lower guard should operate automatically.

d) **Always observe that the lower guard is covering the blade before placing saw down on bench or floor.** An unprotected, coasting blade will cause the saw to walk backwards, cutting whatever is in its path. Be aware of the time it takes for the blade to stop after switch is released.

Additional Safety Instructions for Circular Saws

• **Do not use blades of larger or smaller diameter than recommended.** For the proper blade rating refer to the **CUTTING SPECIFICATIONS** section. Use only the blades specified in this manual.

• **Use only saw blades that are marked with a speed equal or higher than the speed marked on the tool.**

• **Avoid overheating the blade tips.**

Additional Safety Information

▲ WARNING: Never modify the power tool or any part of it. Damage or personal injury could result.

▲ WARNING: ALWAYS use safety glasses. Everyday eyeglasses are NOT safety glasses. Also use face or dust mask if cutting operation is dusty. ALWAYS WEAR CERTIFIED SAFETY EQUIPMENT:

- ANSI Z87.1 eye protection (CAN/CSA Z94.3),
- ANSI S12.6 (S3.19) hearing protection,
- NIOSH/OSHA/MSHA respiratory protection.

▲ WARNING: Some dust created by power sanding, sawing, grinding, drilling, and other construction activities contains chemicals known to the State of California to cause cancer, birth defects or other reproductive harm. Some examples of these chemicals are:

- lead from lead-based paints,
- crystalline silica from bricks and cement and other masonry products, and
- arsenic and chromium from chemically-treated lumber.

Your risk from these exposures varies, depending on how often you do this type of work. To reduce your exposure to these chemicals: work in a well ventilated area, and work with approved safety equipment, such as those dust masks that are specially designed to filter out microscopic particles.

• **Wear protective clothing and wash exposed areas with soap and water.** Allowing dust to get into your mouth, eyes, or

lay on the skin may promote absorption of harmful chemicals. Direct particles away from face and body.



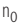









• **Use the appropriate dust extractor vacuum to remove the vast majority of static and airborne dust.** Failure to remove static and airborne dust could contaminate the working environment or pose an increased health risk to the operator and those in close proximity.

• **Use clamps or other practical ways to secure and support the workpiece to a stable platform.** Holding the work by hand or against your body is unstable and may lead to loss of control and injury.

• **Air vents often cover moving parts and should be avoided.** Loose clothes, jewelry or long hair can be caught in moving parts.

▲ CAUTION: When not in use, place tool on its side on a stable surface where it will not cause a tripping or falling hazard. Some tools with large battery packs will stand upright on the battery pack but may be easily knocked over.

The label on your tool may include the following symbols. The symbols and their definitions are as follows:

V	volts		or AC/DC....alternating or direct current
Hz	hertz	 Class II Construction (double insulated)
min	minutes		n_0
— — or DC	direct current	n	rated speed
 Class I Construction (grounded)	PSI	pounds per square inch
... /min	per minute	 earthing terminal
BPM	beats per minute	 safety alert symbol
IPM	impacts per minute	 visible radiation—do not stare into the light
OPM	oscillations per minute	 wear respiratory protection
RPM	revolutions per minute	 wear eye protection
sfpm	surface feet per minute	 wear hearing protection
SPM	strokes per minute	 read all documentation
A	amperes	 do not expose to rain
W	watts		
Wh	watt hours		
Ah	amp hours		
~ or AC	alternating current		

ASSEMBLY AND ADJUSTMENTS

▲ WARNING: To reduce the risk of serious personal injury, turn unit off and remove the battery pack before making any adjustments or removing/installing attachments or accessories. An accidental start-up can cause injury.

Attaching and Removing the Blade (Fig. A–C)

1. Rotate (clockwise) the lower guard retracting lever **8** to retract the lower blade guard **7** and disassemble inner clamp washer **22**, saw blade **6**, and outer blade clamp washer **11** as shown in Fig. C.
2. Depress the spindle lock button **14** while turning the blade retaining bolt **12** with the hex wrench **17** until the blade lock engages and the blade stops rotating.
3. Tighten the blade retaining bolt securely with the hex wrench.

NOTE: Hex wrench is stored on the saw as shown in Fig. C.

NOTE: Bolt has a right-handed thread. To loosen, turn counterclockwise. To tighten, turn clockwise.

NOTE: Never engage the spindle lock while the saw is running, or engage in an effort to stop the tool. Never turn the tool on while the spindle lock is engaged. Serious damage to your saw will result.

Supporting Large Panels/Securing Workpiece (Fig. D–G)

Support large panels to minimize the risk of blade pinching and kickback. Large panels tend to sag under their own weight as shown in Fig. D.

Supports must be placed under the panel on both sides, near the line of cut and near the edge of the panel (Fig. E).

▲ WARNING: To reduce the risk of injury, never hold the piece being cut with your hands or lay it across your leg (Fig. F). Secure the workpiece to a stable platform as shown in Fig. G. It is important to support the work properly to minimize body exposure, blade binding, or loss of control.

Cutting Depth Adjustment (Fig. H, I)

The depth of cut should be set according to the thickness of the workpiece.

1. Loosen the depth adjustment lever **13** to unlock the saw shoe **5**.
2. Align the saw shoe with the desired depth of cut indicated on the scale markings on the depth strap.
3. Set depth adjustment of saw such that one tooth **19** of the blade projects below the workpiece **20** as shown in Fig. I.
4. Tighten the depth adjustment lever to lock the saw shoe in place.

Bevel Angle Adjustment (Fig. J)

This tool can be set to bevel angles between 0° and 50°.

1. Loosen (counterclockwise) the bevel adjustment lever **9** to unlock the saw shoe **5**.
2. Move the saw shoe into the desired position corresponding with the bevel angle markings on the bevel angle scale **10**.
3. Tighten (clockwise) the bevel adjustment lever to lock the saw shoe in place.
4. Confirm the accuracy of the setting by checking the bevel angle of an actual cut on a scrap piece of material.

Shoe Adjustment for 90° Cuts (Fig. A, K)

The shoe **5** has been set by the factory to assure that the blade is perpendicular to the shoe at 0° bevel setting.

If realignment is needed:

1. Adjust the saw to 0° bevel.
2. Rotate (clockwise) the lower guard retracting lever **8** to retract the lower blade guard **7**.
3. Loosen (counterclockwise) the bevel adjustment lever **9**. Place a square against the blade **6** and shoe **5** to adjust the 90° setting.
4. Turn the calibration screw **21** with a T15 driver bit or 3 mm hex key so that the shoe will stop at the proper angle.
5. Confirm the accuracy of the setting by checking the squareness of an actual cut on a scrap piece of material.

OPERATION

▲ WARNING: To reduce the risk of serious personal injury, turn unit off and remove the battery pack before making any adjustments or removing/installing attachments or accessories. An accidental start-up can cause injury.

Installing and Removing the Battery Pack (Fig. B)

NOTE: For best results, make sure your battery pack is fully charged.

To install the battery pack **15** into the tool handle, align the battery pack with the rails inside the tool's handle and slide it into the handle until the battery pack is firmly seated in the tool and ensure that it does not disengage.

To remove the battery pack from the tool, press the battery release button **16** and firmly pull the battery pack out of the tool handle. Insert it into the charger.

NOTE: For best results, use a 2.5 ah battery pack.

Proper Hand Position (Fig. L)

▲ WARNING: To reduce the risk of serious personal injury, ALWAYS use proper hand position as shown.

▲ WARNING: To reduce the risk of serious personal injury, ALWAYS hold securely in anticipation of a sudden reaction. Proper hand position requires one hand on the main handle **3** and one hand on the secondary handle **4**.

On/Off Switch (Fig. A)

Saw is equipped with a switch lock-off feature to prevent unintentional operation.

1. To operate the tool, press in on the lock-off button **2** from either side of the saw and hold it in as you depress the on/off switch **1**.
2. After you have depressed the on/off switch and the tool is running, release the lock-off button. The tool will continue to run as long as the on/off switch is depressed.
3. To turn the tool off, release the on/off switch.

NOTE: This tool has no provision for locking the tool on, and the switch should never be locked on by any other means.

CUTTING SPECIFICATIONS

Bevel angle	0° and 50°
Blade size	6 1/2" (165 mm)
Max cut depth, 45° bevel	1 4/7" (40 mm)
Max cut depth, 0° bevel	2 1/16" (55 mm)
RPM no load	4300
Arbor diameter	5/8" (15.8 mm)

Automatic Electric Brake

Your saw is equipped with an electric blade brake which stops the saw blade within 1–2 seconds of trigger release. This is automatic and requires no adjustment.

Lower Blade Guard (Fig. A, L)

▲ WARNING: Laceration hazard. The lower blade guard **7** is a safety feature which reduces the risk of serious personal injury. Never use the saw if the lower guard is missing, damaged, mis-assembled or not working properly. Do not rely on the lower blade guard to protect you under all circumstances. Your safety depends on following all warnings and precautions as well as proper operation of the saw. Check lower guard for proper closing before each use as outlined in **Further Safety Instructions for All Saws**. If the lower blade guard is missing or not working properly, have the saw serviced before using. To assure product safety and reliability, repair, maintenance and adjustment should be performed

by an authorized service center or other qualified service organization, always using identical replacement parts.

▲ WARNING: To minimize the risk of eye injury, always use eye protection. Carbide is a hard but brittle material. Foreign objects in the workpiece such as wire or nails can cause tips to crack or break. Only operate saw when proper saw blade guard is in place. Mount blade securely in proper rotation before using, and always use a clean, sharp blade.

▲ WARNING: To reduce the risk of injury, it is important to support the work properly and to hold the saw firmly to prevent loss of control which could cause personal injury.

Fig. L illustrates typical hand support.

▲ WARNING: To reduce the risk of serious personal injury, read, understand and follow all important safety warnings and instructions prior to using tool.

Blade Selection

Your circular saw is designed for use with 6 1/2" (165 mm) diameter blades that have a 5/8" (15.8 mm) diameter bore. Use only saw blades that are marked with a speed equal or higher than the speed marked on the tool. DO NOT use any abrasive or dry diamond wheels.

General Cuts (Fig. A)

▲ WARNING: To reduce the risk of injury, remove the battery, and follow all assembly, adjustment and set up instructions. Make sure lower guard operates. Select the proper blade for the material to be cut.

- Measure and mark work for cutting.
- Support and secure work properly (refer to **Supporting Large Panels/Securing Workpiece**).
- Use appropriate and required safety equipment (refer to **Additional Safety Information**).
- Secure and maintain work area (refer to **Safety Instructions for All Saws**).
- With battery **15** inserted, make sure on/off switch **1** turns saw on and off.

Sawing

▲ WARNING: To reduce the risk of serious personal injury, always hold the tool with both hands.

- Keep your body positioned to either side of the blade, but not in line with the saw blade. Kickback could cause the saw to jump backwards. Refer to **Further Safety Instructions for All Saws** and **Kickback Causes and Related Warnings**.
- Let the blade run freely for a few seconds before starting the cut.
- Apply only a gentle pressure to the tool while performing the cut.
- Work with the shoe pressed against the workpiece.

Hints for Optimum Use

- As some splintering along the line of cut on the top side of the workpiece cannot be avoided, cut on the side where splintering is acceptable.
- Where splintering is to be minimized, e.g., when cutting laminates, clamp a piece of plywood onto the top of the workpiece.

Pocket Cutting (Fig. A, M)

▲ WARNING: Never tie the blade guard in a raised position. Never move the saw backwards when pocket cutting. This may cause the unit to raise up off the work surface which could cause injury.

A pocket cut is one that is made when the edge of the material does not push the lower guard open, but the bottom edge of the rotating blade cuts into the middle of the material.

1. Adjust the shoe **5** so the blade cuts at desired depth.
2. Tilt the saw forward and rest front of the shoe on material to be cut.
3. Using the retracting lever, retract lower blade guard to an upward position. Lower rear of shoe until blade teeth almost touch cutting line.
4. Release the blade guard (its contact with the work will keep it in position to open freely as you start the cut). Remove hand from guard lever and firmly grip secondary handle **4**, as shown in Fig. M. Position your body and arm to allow you to resist kickback if it occurs.
5. Make sure blade is not in contact with cutting surface before starting saw.
6. Start the motor, allow saw to come to full speed, and then gradually lower the saw until its shoe rests flat on the material to be cut. Advance saw along the cutting line until cut is completed.
7. Release trigger and allow blade to stop completely before withdrawing the blade from the material.
8. When starting each new cut, repeat as above.

Ripping (Fig. C, N)

Ripping is the process of cutting wider boards into narrower strips – cutting grain lengthwise. Hand guiding is more difficult for this type of sawing and the use of a BLACK+DECKER rip fence is recommended. A rip guide is available at extra cost from your local dealer or authorized service center.

Installing the Rip Fence (Sold Separately)

You can install a rip fence **23** on your circular saw by loosening the rip fence locking screw **24** with the included hex wrench **17** and inserting the rip fence as shown in Fig. N. When the rip fence is at the desired position, use the hex wrench to tighten the rip fence locking screw, locking it in place.

MAINTENANCE

▲ WARNING: To reduce the risk of serious personal injury, turn unit off and remove the battery pack before making any adjustments or removing/installing attachments or accessories. An accidental start-up can cause injury. Your BLACK+DECKER power tool has been designed to operate over a long period of time with minimum maintenance. Continuous satisfactory operation depends upon proper tool care and regular cleaning.

Accessories

▲ WARNING: Since accessories, other than those offered by BLACK+DECKER, have not been tested with this product, use of such accessories with this product could be hazardous. To reduce the risk of injury, only BLACK+DECKER-recommended accessories should be used with this product. Recommended accessories for use with your product are available at extra cost from your local dealer or authorized service center. If you need assistance in locating any accessory, please contact BLACK+DECKER. Call

1-800-544-6986.

Dust Extraction (Fig. A)

▲ WARNING: Risk of dust inhalation. To reduce the risk of personal injury, **ALWAYS** wear an approved dust mask.

▲ WARNING: ALWAYS use a vacuum extractor designed in compliance with the applicable directives regarding dust emission when sawing wood. Vacuum hoses of most common vacuum cleaners will fit directly into the dust extraction outlet. A dust extraction port **18** is available at extra cost from your local dealer or authorized service center.

Cleaning

▲ WARNING: Blow dirt and dust out of all air vents with clean, dry air at least once a week. To minimize the risk of eye injury, always wear ANSI Z87.1 approved eye protection when performing this procedure.

▲ WARNING: Never use solvents or other harsh chemicals for cleaning the non-metallic parts of the tool. These chemicals may weaken the plastic materials used in these parts. Use a cloth dampened only with water and mild soap. Never let any liquid get inside the tool; never immerse any part of the tool into a liquid.

Repairs

The charger and batteries are not serviceable. There are no serviceable parts inside the charger or battery pack.

▲ WARNING: To assure product SAFETY and RELIABILITY, repairs, maintenance and adjustment (including brush inspection and replacement, when applicable) should be performed by a factory service center or an authorized service center. Always use identical replacement parts.

Quebec Disclosure

We do not guarantee the availability of replacement parts, repair services or information necessary to maintain or repair products subject to and under the meaning of the Quebec Consumer Protection Act, as amended by Bill 29.

Register Online

Thank you for your purchase. Register your product now for:

- **ADDITIONAL 3-YEAR LIMITED WARRANTY:** Registering within 30 days of purchase will activate your additional warranty for this product (proof of purchase required).
- **WARRANTY SERVICE:** Registering your product will help you obtain more efficient warranty service in case there is a problem with your product.
- **CONFIRMATION OF OWNERSHIP:** In case of an insurance loss, such as fire, flood or theft, your registration of ownership will serve as your proof of purchase.
- **FOR YOUR SAFETY:** Registering your product will allow us to contact you in the unlikely event a safety notification is required under the Federal Consumer Safety Act.

Register online at www.blackanddecker.com/account/login.

2+3 Year Limited Warranty

2-Year Limited Warranty provided as standard. Product registration, with proof of purchase, required within 30 days of purchase for additional 3-Year Limited Warranty.

For warranty terms go to

www.blackanddecker.com/warranty.

To request a written copy of the warranty terms, contact: Customer Service at Black & Decker, 701 East Joppa Road, Towson, MD 21286 or call **1-800-544-6986**.

LATIN AMERICA: This warranty does not apply to products sold in Latin America. For products sold in Latin America, check country specific warranty information contained in the packaging, call the local company or see the website for such information.

Utilisation prévue

Cette scie circulaire est conçue pour des applications de coupe de bois destinées au bricolage.

▲ AVERTISSEMENT : ne pas couper de métal, maçonnerie, vitre, tuile ou plastique avec cette scie. Excessifs Une lame émoussée cause une surcharge de coupe lente et inefficace sur le moteur, des éclats de bois excessifs et peut augmenter le risque de rebond.

- NE PAS utiliser de disques abrasifs.
- Utilisez seulement des lames conçues pour la coupe du bois.
- NE PAS utiliser en conditions mouillées ou en présence de liquides ou de gaz inflammables.
- NE PAS laisser les enfants toucher l'outil.

Une surveillance est nécessaire lorsque des utilisateurs inexpérimentés utilisent l'outil.

AVERTISSEMENTS GÉNÉRAUX SUR LA SÉCURITÉ DES OUTILS

▲ AVERTISSEMENT : lisez tous les avertissements de sécurité, toutes les instructions, les illustrations et les caractéristiques fournis avec cet outil électrique. Ne pas suivre toutes les instructions comprises aux présentes peut conduire à un choc électrique, un incendie et/ou des blessures graves.

CONSERVER TOUS LES AVERTISSEMENTS ET TOUTES LES DIRECTIVES POUR UN USAGE ULTÉRIEUR.

Le terme « outil électrique » cité dans les avertissements se rapporte à votre outil électrique à alimentation sur secteur (avec fil) ou par piles (sans fil).

1) Sécurité du lieu de travail

- Tenir l'aire de travail propre et bien éclairée.** Les lieux encombrés ou sombres sont propices aux accidents.
- Ne pas faire fonctionner d'outils électriques dans un milieu déflagrant, tel qu'en présence de liquides, de gaz ou de poussières inflammables.** Les outils électriques produisent des étincelles qui pourraient enflammer la poussière ou les vapeurs.
- Éloigner les enfants et les personnes à proximité pendant l'utilisation d'un outil électrique.** Une distraction pourrait en faire perdre la maîtrise à l'utilisateur.

2) Sécurité en matière d'électricité

- Les fiches des outils électriques doivent correspondre à la prise. Ne jamais modifier la fiche d'aucune façon. Ne jamais utiliser de fiche d'adaptation avec un outil électrique mis à la terre.** Le risque de choc électrique sera réduit par l'utilisation de fiches non modifiées correspondant à la prise.
- Éviter tout contact physique avec des surfaces mises à la terre comme des tuyaux, des radiateurs, des cuisinières et des réfrigérateurs.** Le risque de choc électrique est plus élevé si votre corps est mis à la terre.
- Ne pas exposer les outils électriques à la pluie ou à l'humidité.** La pénétration de l'eau dans un outil électrique augmente le risque de choc électrique.
- Ne pas utiliser le cordon de façon abusive. Ne jamais utiliser le cordon pour transporter, tirer ou débrancher un outil électrique. Tenir le cordon éloigné de la chaleur,**

de l'huile, des bords tranchants et des pièces mobiles. Les cordons enroulés ou enchevêtrés augmentent les risques de choc électrique.

- Pour l'utilisation d'un outil électrique à l'extérieur, se servir d'une rallonge convenant à cette application.** L'utilisation d'une rallonge conçue pour l'extérieur réduira les risques de choc électrique.
- S'il est impossible d'éviter l'utilisation d'un outil électrique dans un endroit humide, brancher l'outil dans une prise ou sur un circuit d'alimentation dotés d'un disjoncteur de fuite à la terre (GFCI).** L'utilisation de ce type de disjoncteur réduit les risques de choc électrique.

3) Sécurité personnelle

- Être vigilant, surveiller le travail effectué et faire preuve de jugement lorsqu'un outil électrique est utilisé. Ne pas utiliser d'outil électrique en cas de fatigue ou sous l'influence de drogues, d'alcool ou de médicaments.** Un simple moment d'inattention en utilisant un outil électrique peut entraîner des blessures corporelles graves.
- Utiliser des équipements de protection individuelle. Toujours porter une protection oculaire.** L'utilisation d'équipements de protection comme un masque antipoussière, des chaussures antidérapantes, un casque de sécurité ou des protecteurs auditifs lorsque la situation le requiert réduira les risques de blessures corporelles.
- Empêcher les démarrages intempestifs. S'assurer que l'interrupteur se trouve à la position d'arrêt avant de relier l'outil à une source d'alimentation et/ou d'insérer un bloc-piles, de ramasser ou de transporter l'outil.** Transporter un outil électrique alors que le doigt repose sur l'interrupteur ou brancher un outil électrique dont l'interrupteur est à la position de marche risque de provoquer un accident.
- Retirer toute clé de réglage ou clé avant de démarrer l'outil.** Une clé ou une clé de réglage attachée à une partie pivotante de l'outil électrique peut provoquer des blessures corporelles.
- Ne pas trop tendre les bras. Conserver son équilibre en tout temps.** Cela permet de mieux maîtriser l'outil électrique dans les situations imprévues.
- S'habiller de manière appropriée. Ne pas porter de vêtements amples ni de bijoux. Garder les cheveux et les vêtements à l'écart des pièces mobiles.** Les vêtements amples, les bijoux ou les cheveux longs risquent de rester coincés dans les pièces mobiles.
- Si des composants sont fournis pour le raccordement de dispositifs de dépoussiérage et de ramassage, s'assurer que ceux-ci sont bien raccordés et utilisés.** L'utilisation d'un dispositif de dépoussiérage peut réduire les dangers engendrés par les poussières.
- Ne pas laisser votre connaissance acquise suite l'utilisation fréquente des outils vous permettre de baisser la garde et ignorer les principes de sécurité de l'outil.** Un acte irréfléchi peut causer une blessure grave en une fraction de seconde.

4) Utilisation et entretien d'un outil électrique

- Ne pas forcer un outil électrique. Utiliser l'outil électrique approprié à l'application.** L'outil électrique approprié effectuera un meilleur travail, de façon plus sûre et à la vitesse pour laquelle il a été conçu.

b) **Ne pas utiliser un outil électrique dont l'interrupteur est défectueux.** Tout outil électrique dont l'interrupteur est défectueux est dangereux et doit être réparé.

c) **Débranchez la fiche de la prise électrique et, si amovible, retirez le bloc-piles de l'outil avant d'effectuer tout ajustement, changement et entreposage de celui-ci.**

Ces mesures préventives réduisent les risques de démarrage accidentel de l'outil électrique.

d) **Ranger les outils électriques hors de la portée des enfants et ne permettre à aucune personne n'étant pas familière avec un outil électrique ou son mode d'emploi d'utiliser cet outil.** Les outils électriques deviennent dangereux entre les mains d'utilisateurs inexpérimentés.

e) **Gardez les poignées et surfaces d'emprise propres et libres de tout produit lubrifiant. Vérifier si les pièces mobiles sont mal alignées ou coincées, si des pièces sont brisées ou présentent toute autre condition susceptible de nuire au bon fonctionnement de l'outil électrique. En cas de dommage, faire réparer l'outil électrique avant toute nouvelle utilisation.** Beaucoup d'accidents sont causés par des outils électriques mal entretenus.

f) **S'assurer que les outils de coupe sont aiguisés et propres.** Les outils de coupe bien entretenus et affûtés sont moins susceptibles de se coincer et sont plus faciles à maîtriser.

g) **Utiliser l'outil électrique, les accessoires, les forêts, etc. conformément aux présentes directives en tenant compte des conditions de travail et du travail à effectuer.** L'utilisation d'un outil électrique pour toute opération autre que celle pour laquelle il a été conçu est dangereuse.

h) **Garder vos mains et les surfaces de prise sèches, propres et libres de graisse et de poussière.** Les mains et les surfaces de prise glissantes ne permettent pas la manutention et le contrôle sécuritaires de l'outil dans les situations imprévues.

5) Utilisation et entretien du bloc-piles

a) **Ne recharger l'outil qu'au moyen du chargeur précisé par le fabricant.** L'utilisation d'un chargeur qui convient à un type de bloc-piles risque de provoquer un incendie s'il est utilisé avec un autre type de bloc-piles.

b) **Utiliser les outils électriques uniquement avec les blocs-piles conçus à cet effet.** L'utilisation de tout autre bloc-piles risque de causer des blessures ou un incendie.

c) **Lorsque le bloc-piles n'est pas utilisé, le tenir éloigné des objets métalliques, notamment des trombones, de la monnaie, des clés, des clous, des vis ou autres petits objets métalliques qui peuvent établir une connexion entre les deux bornes.** Le court-circuit des bornes du bloc-piles risque de provoquer des brûlures ou un incendie.

d) **En cas d'utilisation abusive, le liquide peut gicler hors du bloc-piles; éviter tout contact avec ce liquide. Si un contact accidentel se produit, laver à grande eau. Si le liquide entre en contact avec les yeux, obtenir également des soins médicaux.** Le liquide qui gicle hors du bloc-piles peut provoquer des irritations ou des brûlures.

e) **Ne pas utiliser de bloc-piles ou outil qui a été endommagé ou modifié.** Les unités endommagées ou modifiées peuvent avoir une réaction imprévisible résultant en un incendie, une explosion ou un potentiel de blessure.

f) **Ne pas exposer de bloc-piles ou l'outil aux flammes ou à des températures excessives.** L'exposition aux flammes ou

à une température au-dessus de 130 °C (265 °F) pourrait causer une explosion.

g) **Suivre toutes les instructions de recharge et ne rechargez pas le bloc-piles ou l'outil à des températures hors de la plage de température indiquée dans les instructions.** Une recharge non conforme ou à une température hors des limites spécifiées peut endommager les piles et augmenter le risque d'incendie.

6) Réparation

a) **Faire réparer l'outil électrique par un réparateur professionnel en n'utilisant que des pièces de recharge identiques.** Cela permettra de maintenir une utilisation sécuritaire de l'outil électriques.

b) **Ne jamais réparer des blocs-piles endommagés.** La réparation de blocs-piles doit seulement être effectuée par le fabricant ou les fournisseurs de service autorisés.

Consignes de sécurité pour toutes les scies

Procédures de coupe

a) **▲ DANGER : gardez vos mains à l'écart de la zone de coupe et de la lame. Gardez votre deuxième main sur la poignée auxiliaire.** Si vos deux mains tiennent la scie, elles ne peuvent pas être coupées par la lame.

b) **Ne touchez pas le dessous de la pièce de travail.** La protection ne peut pas vous protéger de la lame sous la pièce de travail.

c) **Réglez la profondeur de la coupe selon l'épaisseur de la pièce de travail.** Moins qu'une dent entière des dents de la lame doit être visible sous la pièce de travail.

d) **Ne jamais tenir la pièce à travailler dans vos mains entre vos jambes pendant que vous coupez. Fixez la pièce de travail sur une plateforme stable.** Il est important de bien soutenir le travail afin de réduire l'exposition du corps, le coincement de la lame ou la perte de contrôle.

e) **Tenez l'outil électrique par les surfaces de prise isolées, lorsque vous effectuez une tâche où l'outil de coupe peut entrer en contact avec le câblage dissimulé.** Entrer en contact avec un câble « sous tension » exposera aussi les pièces métalliques de l'outil électrique « sous tension » et pourrait donner un choc électrique à l'utilisateur.

f) **Lorsque vous sciez en longueur, utilisez toujours un guide longitudinal ou un guide de bord droit.** Cela améliore la précision de la coupe et réduit la possibilité que la lame se coince.

g) **Toujours utiliser des lames à trous d'arbre de bon diamètre ou forme (rond ou losange).** Les lames qui ne correspondent pas à la quincaillerie de montage seront décentrées causant la perte de contrôle du travail.

h) **Ne jamais utiliser des rondelles ou des boulons de lames endommagés ou incorrects.** Les rondelles et les boulons des lames ont été spécialement conçus pour votre scie, pour une performance optimale et une sécurité de fonctionnement.

i) **NE PAS** porter de gants amples ou de gants avec des doigts.

Consignes de sécurité supplémentaires pour toutes les scies

Avertissements de causes de recul intempestif et autres dangers

- Le rebond est une réaction soudaine d'une lame de la scie pincée, bloquée ou désalignée, causant une scie non contrôlée qui se soulève et sort de la pièce de travail vers l'utilisateur;

- Lorsque la lame est pincée ou bloquée serrée par la fermeture du trait de scie, la lame bloque et la réaction du moteur ramène rapidement l'outil vers l'utilisateur;
- Si la lame devient tordue ou désalignée dans la coupe, les dents du bord arrière de la lame peuvent pénétrer dans la surface supérieure du bois faisant sortir la lame du trait et rebondir vers l'utilisateur.

Le rebond est le résultat d'une mauvaise utilisation de la scie et/ou de procédures, ou de conditions de fonctionnement incorrectes, et il peut être évité en prenant les précautions appropriées définies ci-dessous :

a) **Maintenez solidement la scie avec les deux mains et placez vos bras de façon à ce qu'ils résistent aux forces des rebonds. Placez votre corps d'un côté ou l'autre de la lame, mais non en ligne avec la lame.** Le rebond pourrait faire en sorte que la scie saute vers l'arrière, mais les forces des rebonds peuvent être contrôlées par l'utilisateur si des précautions appropriées sont prises.

b) **Lorsque la lame se coince ou si vous cessez une coupe pour quelque raison que ce soit, relâchez la gâchette et tenez la scie de coupe sans bouger dans le matériau jusqu'à ce que la scie s'arrête complètement. Ne jamais tenter de retirer la scie du travail ou tirer la scie vers l'arrière pendant que la scie est en mouvement sinon un rebond peut se produire.** Examinez-la et prenez des mesures correctives pour éliminer la cause du coincement de la lame.

c) **Lors du redémarrage de la scie avec la pièce de travail, centrez la lame de la scie dans le trait de sorte que les dents de la scie ne sont pas engagées dans le matériau.** Si la lame de scie se coince, elle pourrait se soulever ou rebondir de la pièce de travail lors du redémarrage de la scie.

d) **Soutenez les panneaux de grandes dimensions afin de réduire le risque de pincements de la lame et de rebonds. Les panneaux de grandes dimensions ont tendance à s'affaisser sous leur propre poids.** Des supports doivent être placés sous le panneau sur les deux côtés, près de la ligne de coupe et près du bord du panneau.

e) **N'utilisez pas de lames émoussées ou endommagées.** Les lames non aiguisées ou mal placées produisent un trait de scie étroit causant une friction excessive, le coincement de la lame et le rebond.

f) **La profondeur de la lame et les leviers de verrouillage de l'ajustement du biseau doivent être serrés et sécurisés avant de faire la coupe.** Si l'ajustement de la lame change pendant la coupe, cela peut causer un coincement et un rebond.

g) **Soyez très prudent lorsque vous sciez dans les murs actuels ou d'autres zones cachées. La lame qui dépasse peut couper des objets qui peuvent causer un rebond.**

h) **Une fois la coupe terminée, relâchez immédiatement la gâchette.**

Consignes de sécurité sur les fonctions de la protection inférieure

a) **Vérifiez la protection inférieure pour une fermeture appropriée avant chaque utilisation. Ne pas utiliser la scie si la protection inférieure ne bouge pas librement et se ferme instantanément. Ne jamais fixer ou attacher la protection inférieure en position ouverte.** Si la scie est accidentellement échappée, la protection inférieure peut être pliée. Levez la protection inférieure avec la poignée rétractable et assurez-vous qu'elle se déplace librement et qu'il ne touche pas la lame ou toute autre pièce, dans tous les angles et toutes les profondeurs.

b) **Vérifiez le fonctionnement du ressort de la protection inférieure. Si la protection et le ressort ne fonctionnent pas correctement, ils doivent être réparés avant l'utilisation.** La protection inférieure peut fonctionner mollement en raison de pièces endommagées, de dépôts collants ou d'une accumulation de débris.

c) **La protection inférieure peut être rétractée à la main seulement pour les coupes spéciales comme les « coupes en plongée » ou les « coupes combinées ».** Levez la protection inférieure en rétractant la poignée et **levez que la lame pénètre le matériau, la protection inférieure doit être relâchée.** Pour tous les autres sciages, la protection inférieure doit fonctionner automatiquement.

d) **Observez toujours la protection inférieure couvrez la lame avant de déposer la scie sur banc ou sur le plancher.** Une lame glissante non protégée fera en sorte que la scie retournera en arrière en coupant tout ce qui se trouve dans sa trajectoire. Tenez compte du temps que cela prend pour que la lame s'arrête après que la gâchette est relâchée.

Consignes de sécurité supplémentaires pour les scies circulaires

- **N'utilisez pas de lames d'un diamètre supérieur ou inférieur à celui recommandé.** Pour connaître le calibre approprié de la lame, reportez-vous à la section **CARACTÉRISTIQUES DE COUPE.** N'utilisez que les lames spécifiées dans ce manuel.
- **N'utilisez que des lames de scie dont la vitesse est égale ou supérieure à celle indiquée sur l'outil.**
- **Évitez de surchauffer les dents de la lame.**

Renseignements de sécurité supplémentaires

▲ AVERTISSEMENT : ne modifiez jamais l'outil électrique ou toute pièce de celui-ci. Cela pourrait entraîner des dommages matériels ou des blessures corporelles.

▲ AVERTISSEMENT : portez **TOUJOURS** des lunettes de sécurité. Les lunettes ordinaires NE SONT PAS des lunettes de sécurité. Utilisez également un masque facial ou anti-poussière si l'opération de coupe est poussiéreuse. **PORTEZ TOUJOURS UN ÉQUIPEMENT DE SÉCURITÉ CERTIFIÉ :**

- protection oculaire ANSI Z87.1 (CAN/CSA Z94.3),
- protection auditive ANSI S12.6 (S3.19),
- protection respiratoire NIOSH/OSHA/MSHA.

▲ AVERTISSEMENT : certaines poussières créées par le ponçage mécanique, le sciage, l'aiguisage, le perçage et autres activités de construction contiennent des produits chimiques reconnus dans l'État de la Californie pour causer le cancer et des anomalies congénitales ou autres effets nuisibles sur la reproduction. Certains exemples de ces produits chimiques sont :

- le plomb provenant des peintures à base de plomb,
- la silice cristallisée provenant des briques, du ciment et d'autres produits de la maçonnerie ainsi que
- l'arsenic et le chrome provenant du bois de construction traité chimiquement.

Votre risque à ces expositions varie selon la fréquence dont vous effectuez ce type de travail. Pour réduire votre exposition à ces produits chimiques : travaillez dans un endroit bien aéré et avec un équipement de sécurité homologué, comme les masques anti-poussière spécialement conçus pour filtrer les particules microscopiques.

- **Portez des vêtements protecteurs et lavez vos zones exposées avec du savon et de l'eau.** Permettre à la poussière d'entrer dans votre bouche, vos yeux ou la laisser sur la peau peut

favoriser l'absorption des produits chimiques dangereux. Dirigez les particules loin du visage et du corps.












• **Utilisez l'extracteur de poussière approprié pour enlever la grande majorité de la poussière statique et en suspension dans l'air.** Ne pas enlever la poussière statique et en suspension dans l'air peut contaminer l'environnement de travail ou présenter un risque accru pour la santé de l'utilisateur et les personnes à proximité.

• **Utilisez des pinces ou d'autres méthodes pratiques pour sécuriser et maintenir la pièce de travail sur une plateforme stable.** Tenir le travail d'une main ou contre votre corps est instable et peut mener à une perte de contrôle et une blessure.

• **Les événements couvrent souvent des pièces qui se déplacent et doivent être évités.** Des vêtements amples, les bijoux ou les cheveux longs peuvent se coincer dans des pièces qui se déplacent.

▲ ATTENTION : lorsque vous ne l'utilisez pas, placez l'outil sur le côté sur une surface stable là où cela n'entraînera pas un risque de trébuchement ou de chute. Certains outils avec de gros blocs-piles se tiendront debout sur le bloc-piles, mais ils peuvent facilement être renversés.

L'étiquette sur votre outil peut comporter les symboles suivants. Les symboles et les définitions sont les suivants :

v.....volts	 ou CA/CC.....courant alternatif ou continu
Hz.....hertz	Structure de classe II (doublement isolé)
min.....minutes	n_0vitesse à vide
— ou CC.....courant continu	n.....vitesse nominale
Structure de classe I (mise à la terre)	PSI.....livres par pouce carré
.../min.....par minute	borne de terre
BPM.....battements par minute	symbole d'alertes de sécurité
IPM.....impacts par minute	rayonnement visible - ne regardez pas directement la lampe
OPM.....oscillations par minute	portez une protection respiratoire
Tr/min.....tours par minute	portez une protection oculaire
sfpm.....pieds de surface par minute	portez une protection auditive
CPM.....coups par minute	lisez toute la documentation
A.....ampères	ne pas exposer à la pluie
W.....watts	
Wh.....Watheures	
Ah.....ampères-heures	
~ ou CA.....courant alternatif	

ASSEMBLAGE ET RÉGLAGES

▲ AVERTISSEMENT : afin de réduire le risque des blessures corporelles graves, arrêtez l'appareil et retirez le blocs-piles avant d'effectuer tout réglage ou de retirer/installer des pièces ou des accessoires. Un démarrage accidentel peut causer des blessures.

Fixation et retrait de la lame (Fig. A–C)

1. Tournez (dans le sens horaire) le levier de rétraction de la protection inférieure **8** pour rétracter la protection de lame inférieure **7** et démontez la rondelle de serrage intérieure **22**, la lame de scie **6** et la rondelle de serrage de lame extérieure **11** comme illustré dans la Fig. C.
2. Appuyez sur le bouton de verrouillage de la tige **14** tout en tournant le dispositif de retenue de la lame **12** à l'aide

de la clé hexagonale **17** jusqu'à ce que le verrouillage de la lame s'enclenche et que la lame arrête de tourner.

3. Serrez fermement le dispositif de retenue de la lame à l'aide de la clé hexagonale.

REMARQUE : la clé hexagonale est rangée sur la scie comme illustré dans la Fig. C.

REMARQUE : le boulon a un filetage à droite. Pour dévisser, tournez dans le sens antihoraire. Pour visser, tournez dans le sens horaire.

REMARQUE : ne jamais enclencher le verrou de la tige pendant que la scie fonctionne ni s'efforcer d'arrêter l'outil. Ne jamais allumer l'outil lorsque le verrou de la tige est enclenché. Cela entraînera des dommages graves à votre scie.

Soutenir les panneaux de grandes dimensions/sécuriser la pièce à travailler (Fig. D–G)

Soutenez les panneaux de grandes dimensions afin de réduire le risque de pincements de la lame et de rebonds. Les panneaux de grandes dimensions ont tendance à s'affaisser sous leur propre poids, comme indiqué dans la Fig. D. Des supports doivent être placés sous le panneau sur les deux côtés, près de la ligne de coupe et près du bord du panneau (Fig. E).

▲ AVERTISSEMENT : pour réduire le risque de blessure, ne JAMAIS tenir la pièce à couper avec vos mains ou la placer sur vos genoux (Fig. F).

Fixez la pièce de travail sur une plateforme stable, comme indiqué dans la Fig. G. Il est important de bien soutenir le travail afin de réduire l'exposition du corps, le coincement de la lame ou la perte de contrôle.

Ajustement de la profondeur de la coupe (Fig. H, I)

La profondeur de coupe doit être réglée en fonction de l'épaisseur de la pièce.

1. Pour ajuster la profondeur de coupe, desserrez le levier **13** qui déverrouille le sabot de la scie **5**.
2. Alignez le sabot de la scie à la profondeur de coupe désirée indiquée sur l'échelle la bande de profondeur.
3. Réglez la profondeur de la scie de manière à ce qu'une dent **19** de la lame dépasse en dessous de la pièce **20** comme indiqué dans la Fig. I.
4. Serrez le levier de réglage de la profondeur pour bloquer le sabot de scie en place.

Ajustement de l'angle du biseau (Fig. J)

Cet outil peut être réglé sur des angles de biseau compris entre 0° et 50°.

1. Desserrez (dans le sens inverse antihoraire) le levier de réglage du biseau **9** pour déverrouiller le sabot de scie **5**.
2. Déplacez le sabot de scie dans la position souhaitée correspondant aux marques d'angle de biseau sur l'échelle d'angle de biseau **10**.
3. Serrez (dans le sens horaire) le levier de réglage du biseau pour verrouiller le sabot de scie en place.
4. Confirmez la précision du réglage en vérifiant l'angle de biseau d'une coupe réelle sur une chute de matériau.

Réglage du sabot pour coupes à 90° (Fig. A, K)

Le sabot **5** a été réglé en usine pour vérifier que la lame est perpendiculaire au sabot au réglage 0° du biseau.

Si un réalignement est nécessaire :

1. Réglez la scie à un biseau de 0°.

2. Tournez (dans le sens horaire) le levier de rétraction de la protection inférieure **8** pour rétracter la protection de lame inférieure **7**.
3. Desserrez (dans le sens antihoraire) le levier de réglage du biseau **9**. Placez une équerre contre la lame **6** et le sabot **5** pour régler la position à 90°.
4. Tournez la vis de calibrage **21** à l'aide d'un embout de vissage T15 ou d'une clé hexagonale de 3 mm, afin que le sabot s'arrête à l'angle approprié.
5. Confirmez la précision de l'ajustement en vérifiant l'équerrage d'une véritable coupe sur une retaille de matériau.

FONCTIONNEMENT

▲ AVERTISSEMENT : afin de réduire le risque des blessures corporelles graves, arrêtez l'appareil et retirez le bloc-piles avant d'effectuer tout réglage ou de retirer/installer des fixations ou des accessoires. Un démarrage accidentel peut causer des blessures.

Installer et retirer le bloc-piles (Fig. B)

REMARQUE : pour de meilleurs résultats, assurez-vous que le bloc-piles est entièrement chargé.

Pour installer le bloc-piles **15** dans l'outil, alignez le bloc-piles avec les glissières à l'intérieur de la poignée de l'outil et glissez-le dans la poignée jusqu'à ce que le bloc-piles soit bien placé dans l'outil et assurez-vous qu'il est enclenché.

Pour retirer le bloc-piles de l'outil, appuyez sur le bouton de libération de la pile **16** et tirez-le fermement hors de la poignée de l'outil. Insérez-le dans le chargeur.

REMARQUE : pour de meilleurs résultats, utilisez un bloc-piles 2,5 Ah.

Position correcte des mains (Fig. L)

▲ AVERTISSEMENT : afin de réduire le risque de blessure corporelle grave, utilisez **TOUJOURS** la position des mains appropriée comme illustré.

▲ AVERTISSEMENT : afin de réduire le risque de blessure grave, tenez **TOUJOURS** fermement l'outil en prévision d'une réaction soudaine.

Une position des mains appropriée nécessite une main sur la poignée principale **3** et une main sur la poignée auxiliaire **4**.

Bouton Marche/Arrêt (Fig. A)

La scie est équipée d'un dispositif de verrouillage de l'interrupteur afin d'éviter tout fonctionnement involontaire.

1. Pour faire fonctionner l'outil, appuyez sur le bouton de verrouillage **2** d'un côté ou de l'autre de la scie et maintenez-le enfoncé pendant que vous appuyez sur l'interrupteur marche/arrêt **1**.
2. Une fois que vous avez appuyé sur l'interrupteur marche/arrêt et que l'outil est en marche, relâchez le bouton de verrouillage. L'outil continuera à fonctionner tant que l'interrupteur marche/arrêt sera enfoncé.
3. Pour éteindre l'outil, relâchez l'interrupteur marche/arrêt.

REMARQUE : cet outil n'est pas équipé d'un dispositif de verrouillage, et l'interrupteur ne doit jamais être verrouillé par d'autres moyens.

CARACTÉRISTIQUES DE COUPE

Angle de biseau	0° et 50°
Taille de la lame	6 1/2 po (165 mm)
Profondeur de coupe maximale, biseau à 45°	1 4/7 po (40 mm)
Profondeur de coupe maximale, biseau à 0°	2 1/16 po (55 mm)
Tr/min à vide	4300
Diamètre de l'arbre	5/8 po (15,8 mm)

Frein électrique automatique

Votre scie est équipée d'un frein de lame électrique qui arrête la lame dans les 1 à 2 secondes qui suivent le relâchement de la gâchette. Ce système est automatique et ne nécessite aucun réglage.

Protection inférieure de la lame (Fig. A, L)

▲ AVERTISSEMENT : risque de lacération. La protection inférieure de la lame **7** est une fonction de sécurité qui réduit le risque de blessure corporelle grave. Ne jamais utiliser la scie si la protection inférieure est manquante, endommagée, mal assemblée ou ne fonctionne pas correctement. Ne pas compter sur la protection inférieure de la lame pour vous protéger en toutes circonstances. Votre sécurité dépend de tous les avertissements et toutes les précautions ainsi qu'une utilisation appropriée de la scie. Vérifiez la protection inférieure pour une fermeture appropriée avant chaque utilisation comme indiqué dans **Consignes de sécurité supplémentaires pour toutes les scies**. Si la protection inférieure de la lame est manquante ou ne fonctionne pas correctement, faites réparer la scie avant l'utilisation. Afin d'assurer votre sécurité et la fiabilité du produit, les réparations, l'entretien et les ajustements doivent être effectués dans un centre de service ou une organisation de service autorisée, toujours en utilisant des pièces de remplacement identiques.

▲ AVERTISSEMENT : afin de minimiser le risque de blessure aux yeux, portez toujours une protection pour les yeux. Le carbure est un matériau dur mais friable. Les objets étrangers dans la pièce de travail comme des fils ou des clous peuvent faire en sorte que les extrémités craquent ou se brisent. La scie fonctionne seulement lorsque la protection appropriée de la lame de la scie est en place. Installez solidement la lame dans la bonne rotation avant l'utilisation et utilisez toujours une lame affûtée propre.

▲ AVERTISSEMENT : pour réduire le risque de blessure, il est important de bien soutenir le travail et de tenir fermement la scie afin de prévenir une perte de contrôle qui pourrait causer une blessure corporelle. La Fig. L illustre un support manuel typique.

▲ AVERTISSEMENT : afin de réduire le risque de blessure corporelle, lisez, comprenez et suivez tous les avertissements et les consignes de sécurité importants avant d'utiliser l'outil.

Choix de la lame

Votre scie circulaire est conçue pour utilisation avec des lames de 6 1/2 pouces (165 mm) de diamètre avec un alésage de 5/8 pouce (15,8 mm) de diamètre. N'utilisez que des lames de scie dont la vitesse est égale ou supérieure à celle indiquée sur l'outil. NE PAS utiliser des disques abrasifs ou diamantés secs.

Coupes générales (Fig. A)

▲ AVERTISSEMENT : pour réduire les risques de blessures, retirez la pile et suivez toutes les instructions de montage, de réglage et d'installation.

Assurez-vous que la protection inférieure est opérationnelle. Sélectionnez la lame appropriée pour le matériau à couper.

- Mesurez et marquez le travail à couper.
- Soutenez et fixez correctement le travail (voir la section **Soutenir les panneaux de grandes dimensions/Sécuriser la pièce**).
- Utilisez l'équipement de sécurité approprié et requis (voir **Consignes de sécurité supplémentaires**).
- Sécurisez et entretenez la zone de travail (voir les **Consignes de sécurité pour toutes les scies**).
- Une fois la pile **15** insérée, assurez-vous que le commutateur marche/arrêt **1** met la scie en marche et l'éteint.

Sciage

▲ AVERTISSEMENT : pour réduire le risque de blessures graves, tenez toujours l'outil à deux mains.

• Gardez votre corps placé d'un côté ou l'autre de la lame, mais non en ligne avec la lame de la scie. Le rebond pourrait faire en sorte que saute vers l'arrière. Consultez **Consignes de sécurité supplémentaires pour toutes les scies** et **Causes de rebonds et avertissements reliés**.

- Laissez la lame fonctionner librement pendant quelques secondes avant de commencer la coupe.
- Appliquez seulement une pression douce à l'outil pendant la coupe.
- Travaillez avec le de sabot appuyé contre la pièce à travailler.

Conseils pour une utilisation optimale

- Comme il est impossible d'éviter des éclats le long de la ligne de coupe sur la face supérieure de la pièce, coupez du côté où les éclats sont acceptables.
- Lorsque les éclats doivent être réduits au minimum, par exemple lors de la découpe de stratifiés, fixez un morceau de contreplaqué sur le dessus de la pièce.

Couper des encoches (Fig. A, M)

▲ AVERTISSEMENT : ne jamais attacher la protection de la lame en position élevée. Ne jamais déplacer la scie vers l'arrière lorsque vous coupez une encoche. Cela peut faire en sorte que l'outil se soulève de la surface de travail ce qui pourrait causer une blessure.

Une coupe de poche est réalisée lorsque le bord du matériau ne pousse pas la protection inférieure vers l'extérieur, mais que le bord inférieur de la lame rotative coupe le milieu du matériau.

1. Ajustez le sabot **5** afin que la lame coupe à la profondeur désirée.
2. Inclinez la scie vers l'avant et déposez l'avant du sabot sur le matériau à couper.
3. À l'aide du levier de rétraction, rétractez la protection inférieure de la lame en position haute. Abaissez l'arrière du sabot jusqu'à ce que les dents de la lame touchent presque la ligne de coupe.
4. Relâchez la protection de la lame (son contact avec le travail le gardera en position pour ouvrir librement lorsque vous commencez la coupe). Retirez la main du levier de protection et saisissez fermement la poignée secondaire **4**, comme indiqué dans la Fig. M. Positionnez votre corps et votre bras de manière à pouvoir résister au rebond, s'il se produit.

5. Assurez-vous que la lame n'est pas en contact avec la surface à couper avant de démarrer la scie.
6. Démarrez le moteur, laissez la scie atteindre sa vitesse maximale, puis abaissez progressivement la scie jusqu'à ce que son sabot repose à plat sur le matériau à découper. Avancez la scie le long de la ligne de coupe jusqu'à ce que la coupe soit terminée.
7. Relâchez la gâchette et laissez la lame s'arrêter complètement avant de retirer la lame du matériau.
8. Lorsque vous démarrez chaque nouvelle coupe, répétez ce qui précède.

Sciage en longueur (Fig. C, N)

Le sciage en longueur est le processus de coupe de planches plus larges en bandes plus étroites en coupant dans le sens de la longueur du grain. Le guidage manuel est plus difficile pour ce type de sciage et l'utilisation d'un guide longitudinal BLACK+DECKER est recommandée. Un guide longitudinal est disponible à un coût supplémentaire chez votre détaillant local ou dans un centre de service autorisé.

Installation du guide longitudinal (vendu séparément)

Vous pouvez installer un guide longitudinal **23** sur votre scie circulaire en desserrant la vis de verrouillage du guide longitudinal **24** avec la clé hexagonale **17** fournie et en insérant le guide longitudinal comme illustré dans la Figure N. Lorsque le guide longitudinal est à la position désirée, utilisez la clé hexagonale pour serrer la vis de verrouillage du guide longitudinal, le verrouillant en place.

ENTRETIEN

▲ AVERTISSEMENT : afin de réduire le risque des blessures corporelles graves, arrêtez l'appareil et retirez le blocs-piles avant d'effectuer tout réglage ou de retirer/installer des pièces ou des accessoires. Un démarrage accidentel peut causer des blessures.

Votre chariot BLACK+DECKER a été conçu pour fonctionner sur une longue période avec un minimum d'entretien. Un fonctionnement satisfaisant continu dépend de l'entretien approprié et d'un nettoyage régulier de l'outil.

Accessoires

▲ AVERTISSEMENT : les accessoires autres que BLACK+DECKER n'ayant pas été testés avec ce produit, leur utilisation avec cet outil peut s'avérer dangereuse. Pour réduire le risque de blessure, seuls les accessoires recommandés par BLACK+DECKER doivent être utilisés avec ce produit.

Les accessoires recommandés pour utilisation avec cet outil sont disponibles à un coût supplémentaire chez votre détaillant local ou dans un centre de services autorisé. Si vous avez besoin d'aide pour localiser un accessoire, contactez BLACK+DECKER. Appelez au **1-800-544-6986**.

Dépoussiérage (Fig. A)

▲ AVERTISSEMENT : risque d'inhalation de la poussière. Afin de réduire le risque de blessure corporelle, portez **TOUJOURS** un masque anti-poussière approuvé.

▲ AVERTISSEMENT : utilisez **TOUJOURS** un dépoussiéreur conçu conformément aux directives applicables concernant les émissions de poussière lorsque vous sciez du bois. Les tuyaux de la plupart des aspirateurs s'ajusteront directement dans la prise du dépoussiéreur.

Un port de dépoussiérage **18** est disponible à un coût supplémentaire chez votre détaillant local ou dans un centre de service autorisé.

Nettoyage

▲ AVERTISSEMENT : *enlever les saletés et la poussière hors des événements au moyen d'air comprimé propre et sec, au moins une fois par semaine. Pour minimiser le risque de blessure aux yeux, toujours porter une protection oculaire conforme à la norme ANSI Z87.1 lors du nettoyage.*

▲ AVERTISSEMENT : *ne jamais utiliser de solvants ni d'autres produits chimiques puissants pour nettoyer les pièces non métalliques de l'outil. Ces produits chimiques peuvent affaiblir les matériaux de plastique utilisés dans ces pièces. Utiliser un chiffon humecté uniquement d'eau et de savon doux. Ne jamais laisser de liquide pénétrer dans l'outil et n'immerger aucune partie de l'outil dans un liquide.*

Réparations

Le chargeur et le bloc-piles ne sont pas réparables. Le chargeur ou le bloc-piles ne comportent aucune pièce réparable.

▲ AVERTISSEMENT : *pour assurer la SÉCURITÉ et la FIABILITÉ du produit, les réparations, l'entretien et les réglages doivent être réalisés (cela comprend l'inspection et le remplacement du balai, le cas échéant) par un centre de réparation en usine BLACK+DECKER ou un centre de réparation agréé BLACK+DECKER. Toujours utiliser des pièces de rechange identiques.*

Divulgence pour le Québec

Nous ne garantissons pas la disponibilité des pièces de rechange, des services de réparation ni des informations nécessaires pour l'entretien ou la réparation des produits visés par la Loi sur la protection du consommateur du Québec, telle que modifiée par le projet de loi 29.

S'enregistrer en ligne

Nous vous remercions de votre achat. Enregistrez votre produit maintenant pour :

- **GARANTIE LIMITÉE SUPPLÉMENTAIRE DE 3 ANS :** l'enregistrement dans les 30 jours suivant l'achat activera votre garantie supplémentaire pour ce produit (preuve d'achat requise).
- **SERVICE DE GARANTIE :** l'enregistrement de votre produit vous permettra de bénéficier d'un service de garantie plus efficace en cas de problème avec votre produit.
- **CONFIRMATION DE PROPRIÉTÉ :** en cas de pertes liées aux assurances telles qu'un incendie, une inondation ou un vol, votre enregistrement de propriété servira de preuve de votre achat.
- **POUR VOTRE SÉCURITÉ :** l'enregistrement de votre produit nous permet de vous contacter dans le cas peu probable d'une notification de sécurité requise selon le Federal Consumer Safety Act.

Enregistrement en ligne sur www.blackanddecker.com/account/login.

Garantie limitée de 2+3 ans

Garantie limitée de 2 ans fournie en standard. Enregistrement du produit, avec preuve d'achat, requis dans les 30 jours suivant l'achat pour bénéficier d'une garantie limitée supplémentaire de 3 ans.

Pour connaître les conditions de garantie, rendez-vous sur www.blackanddecker.com/warranty.

Pour demander une copie écrite des conditions de la garantie, contactez : Service à la clientèle chez Black & Decker, 701 East Joppa Road, Towson, MD 21286 ou appelez le **1-800-544-6986**.

AMÉRIQUE LATINE : la présente garantie ne s'applique pas aux produits vendus en Amérique latine. Pour les produits vendus en Amérique latine, vérifiez les renseignements sur la garantie particulière au pays comprise dans l'emballage, appelez l'entreprise locale ou consultez le site Web pour les renseignements complets à propos de la garantie.

Uso pretendido

Esta sierra circular está diseñada para aplicaciones de corte de madera de bricolaje.

▲ ADVERTENCIA: No corte metales, mampostería, vidrio, azulejos o plástico con esta sierra. Una cuchilla desafilada causará una sobrecarga de corte lenta e ineficiente en el motor de la sierra, astillas excesivas y podría aumentar la posibilidad de retroceso.

- NO use ruedas abrasivas.
- Use sólo cuchillas diseñadas para cortar madera
- NO lo use en condiciones húmedas o en presencia de líquidos o gases inflamables.
- NO permita que niños entren en contacto con la herramienta.

Se requiere supervisión cuando usuarios sin experiencia operen la herramienta.

ADVERTENCIAS GENERALES DE SEGURIDAD PARA HERRAMIENTAS ELÉCTRICAS

▲ ADVERTENCIA: Lea todas las advertencias de seguridad, instrucciones, ilustraciones y especificaciones incluidas con esta herramienta eléctrica. La falla en seguir todas las instrucciones siguientes puede resultar en descarga eléctrica, incendio y/o lesiones serias.

CONSERVE TODAS LAS ADVERTENCIAS E INSTRUCCIONES PARA FUTURAS CONSULTAS.

El término "herramienta eléctrica" incluido en las advertencias hace referencia a las herramientas eléctricas operadas con corriente (con cable eléctrico) o a las herramientas eléctricas operadas con baterías (inalámbricas).

1) Seguridad en el Área de Trabajo

- a) **Mantenga el área de trabajo limpia y bien iluminada.** Las áreas abarrotadas y oscuras propician accidentes.
- b) **No opere las herramientas eléctricas en atmósferas explosivas, como ambientes donde haya polvo, gases o líquidos inflamables.** Las herramientas eléctricas originan chispas que pueden encender el polvo o los vapores.
- c) **Mantenga alejados a los niños y a los espectadores de la herramienta eléctrica en funcionamiento.** Las distracciones pueden provocar la pérdida de control.

2) Seguridad Eléctrica

- a) **Los enchufes de la herramienta eléctrica deben adaptarse al tomacorriente. Nunca modifique el enchufe de ninguna manera. No utilice ningún enchufe adaptador con herramientas eléctricas con conexión a tierra.** Los enchufes no modificados y que se adaptan a los tomacorrientes reducirán el riesgo de descarga eléctrica.
- b) **Evite el contacto corporal con superficies con descargas a tierra como, por ejemplo, tuberías, radiadores, cocinas eléctricas y refrigeradores.** Existe mayor riesgo de descarga eléctrica si su cuerpo está puesto a tierra.
- c) **No exponga las herramientas eléctricas a la lluvia o a condiciones de humedad.** Si entra agua a una herramienta eléctrica, aumentará el riesgo de descarga eléctrica.
- d) **No maltrate el cable. Nunca utilice el cable para transportar, tirar o desencharlar la herramienta eléctrica. Mantenga el cable alejado del calor, el aceite, los bordes filosos y las piezas móviles.** Los cables dañados o enredados aumentan el riesgo de descarga eléctrica.

e) **Al operar una herramienta eléctrica en el exterior, utilice un cable prolongador adecuado para tal uso.**

Utilice un cable adecuado para uso en exteriores a fin de reducir el riesgo de descarga eléctrica.

f) **Si el uso de una herramienta eléctrica en un lugar húmedo es imposible de evitar, utilice un suministro protegido con un interruptor de circuito por falla a tierra (GFCI).** El uso de un GFCI reduce el riesgo de descargas eléctricas.

3) Seguridad Personal

- a) **Permanezca alerta, controle lo que está haciendo y utilice el sentido común cuando emplee una herramienta eléctrica. No utilice una herramienta eléctrica si está cansado o bajo el efecto de drogas, alcohol o medicamentos.** Un momento de descuido mientras se opera una herramienta eléctrica puede provocar lesiones personales graves.
- b) **Utilice equipos de protección personal. Siempre utilice protección para los ojos.** En las condiciones adecuadas, el uso de equipos de protección, como máscaras para polvo, calzado de seguridad antideslizante, cascos o protección auditiva, reducirá las lesiones personales.
- c) **Utilice el encendido por accidente. Asegúrese de que el interruptor esté en la posición de apagado antes de conectarlo a la fuente de energía o paquete de baterías, o antes de levantar o transportar la herramienta.** Transportar herramientas eléctricas con el dedo apoyado en el interruptor o enchufar herramientas eléctricas con el interruptor en la posición de encendido puede propiciar accidentes.
- d) **Retire la clavija de ajuste o la llave de tuercas antes de encender la herramienta eléctrica.** Una llave de tuercas o una clavija de ajuste que quede conectada a una pieza giratoria de la herramienta eléctrica puede provocar lesiones personales.
- e) **No se estire. Conserve el equilibrio y párese adecuadamente en todo momento.** Esto permite un mejor control de la herramienta eléctrica en situaciones inesperadas.
- f) **Use la vestimenta adecuada. No use ropas holgadas ni joyas. Mantenga el cabello y la ropa alejados de las piezas en movimiento.** Las ropas holgadas, las joyas o el cabello largo pueden quedar atrapados en las piezas en movimiento.
- g) **Si se suministran dispositivos para la conexión de accesorios con fines de recolección y extracción de polvo, asegúrese de que estén conectados y que se utilicen correctamente.** El uso de dispositivos de recolección de polvo puede reducir los peligros relacionados con el polvo.
- h) **No permita que la familiaridad obtenida a partir del uso frecuente de herramientas le permitan volverse descuidado e ignorar los principios de seguridad de la herramienta.** Una acción descuidada puede causar lesiones severas en una fracción de segundo.

4) Uso y Mantenimiento de la Herramienta Eléctrica

- a) **No fuerce la herramienta eléctrica. Utilice la herramienta eléctrica correcta para el trabajo que realizará.** Si se la utiliza a la velocidad para la que fue diseñada, la herramienta eléctrica correcta permite trabajar mejor y de manera más segura.
- b) **No utilice la herramienta eléctrica si no puede encenderla o apagarla con el interruptor.** Toda

herramienta eléctrica que no pueda ser controlada mediante el interruptor es peligrosa y debe repararse.

c) **Desconecte el enchufe de la fuente de alimentación y/o retire la batería, o paquete si es desmontable, de la herramienta eléctrica antes de realizar cualquier ajuste, cambiar accesorios o almacenar herramientas eléctricas.**

Estas medidas de seguridad preventivas reducen el riesgo de encender la herramienta eléctrica en forma accidental.

d) **Guarde la herramienta eléctrica que no esté en uso fuera del alcance de los niños y no permita que otras personas no familiarizadas con ella o con estas instrucciones operen la herramienta.** Las herramientas eléctricas son peligrosas si son operadas por usuarios no capacitados.

e) **Dé mantenimiento a las herramientas eléctricas y accesorios. Revise que no haya piezas en movimiento mal alineadas o trabadas, piezas rotas o cualquier otra situación que pueda afectar el funcionamiento de la herramienta eléctrica. Si encuentra daños, haga reparar la herramienta eléctrica antes de utilizarla.** Se producen muchos accidentes a causa de las herramientas eléctricas que carecen de un mantenimiento adecuado.

f) **Mantenga las herramientas de corte afiladas y limpias.** Las herramientas de corte con mantenimiento adecuado y con los bordes de corte afilados son menos propensas a trabarse y son más fáciles de controlar.

g) **Utilice la herramienta eléctrica, los accesorios y las brocas de la herramienta, etc. de acuerdo con estas instrucciones y teniendo en cuenta las condiciones de trabajo y el trabajo que debe realizarse.** El uso de la herramienta eléctrica para operaciones diferentes de aquéllas para las que fue diseñada podría originar una situación peligrosa.

h) **Mantenga las manijas y superficies de sujeción secas, limpias y libres de aceite y grasa.** Las manijas y superficies de sujeción resbalosas no permiten el manejo y control seguros de la herramienta en situaciones inesperadas.

5) Uso y Mantenimiento de la Herramienta con Baterías

a) **Recargue solamente con el cargador especificado por el fabricante.** Un cargador adecuado para un tipo de paquete de baterías puede originar riesgo de incendio si se utiliza con otro paquete de baterías.

b) **Utilice herramientas eléctricas sólo con paquetes de baterías específicamente diseñados.** El uso de cualquier otro paquete de baterías puede producir riesgo de incendio y lesiones.

c) **Cuando no utilice el paquete de baterías, manténgalos lejos de otros objetos metálicos como sujetapapeles, monedas, llaves, clavos, tornillos u otros objetos metálicos pequeños que puedan realizar una conexión desde un terminal al otro.** Los cortocircuitos en los terminales de la batería pueden provocar quemaduras o incendio.

d) **En condiciones abusivas, el líquido puede ser expulsado de la batería. Evite su contacto. Si entra en contacto accidentalmente, enjuague con agua. Si el líquido entra en contacto con los ojos, busque atención médica.** El líquido expulsado de la batería puede provocar irritación o quemaduras.

e) **No use un paquete de batería o herramienta que estén dañados o modificados.** Las baterías dañadas o modificadas pueden presentar un comportamiento

impredecible que resulte en incendios, explosión o riesgo de lesiones.

f) **No exponga un paquete de batería o una herramienta a fuego o temperatura excesiva.** La exposición a fuego o temperaturas mayores a 130 °C (265 °F) pueden causar una explosión.

g) **Siga todas las instrucciones de carga y no cargue el paquete de batería o la herramienta fuera del rango de temperatura especificado en las instrucciones.** Cargar inadecuadamente o en una temperatura fuera del rango de temperatura especificado puede dañar la batería e incrementar el riesgo de incendio.

6) Mantenimiento

a) **Solicite a una persona calificada en reparaciones que realice el mantenimiento de su herramienta eléctrica y que sólo utilice piezas de repuesto idénticas.** Esto garantizará la seguridad de la herramienta eléctrica.

b) **Nunca dé servicio a paquetes de batería dañados.** El servicio de paquetes de batería sólo debe ser realizado por el fabricante o proveedores de servicio autorizados.

Instrucciones de seguridad para todas las sierras Procedimientos de corte

a) **▲ PELIGRO: Mantenga las manos alejadas del área de corte y la cuchilla. Mantenga su segunda mano en la manija auxiliar.** Si ambas manos sostienen la sierra, la cuchilla no puede cortarlas.

b) **No meta la mano debajo de la pieza de trabajo.** La protección no puede protegerlo de la cuchilla debajo de la pieza de trabajo.

c) **Ajuste la profundidad de corte al grosor de la pieza de trabajo.** Debe verse menos de un diente completo de los dientes de la cuchilla debajo de la pieza de trabajo.

d) **Nunca sostenga la pieza de trabajo en sus manos o a través de su pierna mientras corta. Asegure la pieza de trabajo a una plataforma estable.** Es importante apoyar el trabajo adecuadamente para minimizar la exposición del cuerpo, la fijación de la cuchilla o la pérdida de control.

e) **Sostenga la herramienta eléctrica por las superficies de sujeción aisladas cuando realice una operación en la que la herramienta de corte pueda hacer contacto con cableado oculto.** El contacto con un cable "vivo" también hará que las partes de metal expuestas de la herramienta eléctrica estén "vivas" y podrían dar al operador una descarga eléctrica.

f) **Al rasgar, use siempre una guía de corte al ras o una guía de borde recto.** Esto mejora la precisión del corte y reduce la posibilidad de que la cuchilla se atasque.

g) **Utilice siempre cuchillas con el tamaño y forma correctos (diamante versus redondo) de los agujeros del eje.** Las cuchillas que no coinciden con el hardware de montaje de la sierra se desplazarán fuera del centro, causando pérdida de control.

h) **Nunca use arandelas o pernos de cuchilla dañados o incorrectos.** Las arandelas y pernos de la cuchilla fueron diseñados especialmente para su sierra, para un desempeño óptimo y seguridad de operación.

i) **NO use guantes holgados o guantes con dedos.**

Instrucciones de seguridad adicionales para todas las sierras

Causas de Retroceso y Advertencias

Relacionadas:

- El retroceso es una reacción repentina a una hoja de sierra atrapada, adherida o desalineada, que hace que una sierra no controlada se levante y salga de la pieza de trabajo hacia el operador;
- Cuando la cuchilla se atrapa o atasca fuertemente por la ranura que se cierra, la cuchilla se detiene y la reacción del motor impulsa la unidad rápidamente hacia el operador;
- Si la cuchilla se tuerce o se desalinea en el corte, los dientes en el borde posterior de la cuchilla pueden cavar en la superficie superior de la madera haciendo que la cuchilla salga de la ranura y salte hacia el operador.

El retroceso es el resultado de un mal uso de la sierra y/o procedimientos o condiciones de operación incorrectos y se puede evitar tomando las precauciones adecuadas que se detallan a continuación:

- Mantenga un agarre firme con ambas manos en la sierra y coloque los brazos para resistir las fuerzas de retroceso. Coloque su cuerpo a ambos lados de la cuchilla, pero no en línea con la cuchilla.** El retroceso puede hacer que la sierra salte hacia atrás, pero el operador puede controlar las fuerzas de retroceso si se toman las precauciones adecuadas.
- Cuando la cuchilla esté atascada, o cuando se interrumpa un corte por cualquier motivo, suelte el gatillo y mantenga la sierra inmóvil en el material hasta que la cuchilla se detenga por completo. Nunca intente retirar la sierra del trabajo ni tirar de la sierra hacia atrás mientras la hoja está en movimiento o puede producirse un retroceso.** Investigue y tome acciones correctivas para eliminar la causa del atascamiento de la cuchilla.
- Cuando vuelva a arrancar una sierra en la pieza de trabajo, centre la cuchilla de la sierra en la ranura para que los dientes de la sierra no queden atrapados en el material.** Si una cuchilla de sierra se adhiere, puede subir o retroceder desde la pieza de trabajo cuando se vuelve a arrancar la sierra.
- Soporte paneles grandes para minimizar el riesgo de pellizcos y retrocesos de la cuchilla. Los paneles grandes tienden a combarse por su propio peso.** Los soportes deben colocarse debajo del panel en ambos lados, cerca de la línea de corte y cerca del borde del panel.
- No utilice cuchillas desafiladas o dañadas.** Las cuchillas sin afilar o mal ajustadas producen una ranura estrecha que causa fricción excesiva, atascamiento de la cuchilla y retroceso.
- Las palancas de bloqueo de ajuste de la profundidad de la cuchilla y el bisel deben estar apretadas y seguras antes de hacer el corte.** Si el ajuste de la cuchilla cambia durante el corte, puede causar atascamiento y retroceso.
- Tenga especial cuidado al cortar en paredes existentes u otras áreas ciegas. La cuchilla sobresaliente puede cortar objetos que pueden causar retroceso.**
- Después de completar el corte, libere el gatillo inmediatamente.**

Instrucciones de seguridad de función de protección inferior

- Verifique que la protección inferior esté bien cerrada antes de cada uso. No opere la sierra si la protección inferior no se mueve libremente y se cierra instantáneamente. Nunca sujete ni ate la protección inferior en la posición abierta.** Si la sierra se cae accidentalmente, la protección inferior puede doblarse. Levante la protección inferior con la manija de retracción y asegúrese que se mueva libremente y no toque la cuchilla ni ninguna otra parte, en todos los ángulos y profundidades de corte.
- Compruebe la operación del resorte de la protección inferior. Si la protección y el resorte no funcionan correctamente, se deben reparar antes de su uso.** La protección inferior puede funcionar lentamente debido a piezas dañadas, depósitos gomosos o acumulación de escombros.
- La protección inferior se puede retraer manualmente sólo para cortes especiales como "cortes de caída" y "cortes compuestos". Levante la protección inferior retrayendo la manija y tan pronto como la cuchilla ingrese al material, se debe liberar la protección inferior.** Para todas las demás sierras, la protección inferior debe funcionar automáticamente.
- Observe siempre que la protección inferior esté cubriendo la cuchilla antes de colocar la sierra en el banco o el piso.** Una cuchilla desprotegida desacelerando por inercia hará que la sierra se mueva hacia atrás, cortando todo lo que se encuentre en su camino. Tenga en cuenta el tiempo que tarda la cuchilla en detenerse después de soltar el interruptor.

Instrucciones de seguridad adicionales para sierras circulares

- **No use cuchillas de diámetro mayor o menor al recomendado.** Consulte la sección **ESPECIFICACIONES DE CORTE** para la clasificación de la cuchilla adecuada. Sólo use las cuchillas especificadas en este manual.
- **Use sólo cuchillas de sierra que estén marcadas con una velocidad igual o superior a la velocidad marcada en la herramienta.**
- **Evite el sobrecalentamiento de las puntas de las cuchillas.**

Información de seguridad adicional

- ▲ **ADVERTENCIA:** Nunca modifique la herramienta eléctrica o ninguna parte de ella. Podría resultar en daño lesiones personales.
- ▲ **ADVERTENCIA: SIEMPRE** use gafas de seguridad. Las gafas de uso diario NO son gafas de seguridad. También use una careta o máscara de polvo si la operación de corte produce polvo. SIEMPRE USE EQUIPO DE SEGURIDAD CERTIFICADO:
 - Protección para los ojos ANSI Z87.1 (CAN/CSA Z94.3),
 - Protección auditiva ANSI S12.6 (S3,19),
 - Protección respiratoria NIOSH/OSHA/MSHA.
- ▲ **ADVERTENCIA:** Algún polvo creado por lijado, aserrado, pulido, perforación eléctricos y otras actividades de construcción contienen químicos conocidos por el Estado de California como causantes de cáncer, defectos de nacimiento u otros daños reproductivos. Algunos ejemplos de estos químicos son:
 - plomo a partir de pinturas a base de plomo,
 - sílice cristalino de ladrillos y cemento y otros productos de mampostería, y

• *arsénico y cromo a partir de madera tratada químicamente. Su riesgo a partir de estas exposiciones varía, dependiendo de qué tan a menudo realice este tipo de trabajo. Para reducir su exposición a estos químicos: trabaje en un área bien ventilada, y trabaje con equipo de seguridad aprobado, tal como máscaras de polvo que estén diseñadas específicamente para filtrar partículas microscópicas.*

• **Use ropa de protección y lave las áreas expuestas con agua y jabón.** Permitir que el polvo entre en su boca, ojos, o que quede sobre la piel puede promover la absorción de químicos peligrosos. Dirija las partículas lejos de la cara y el cuerpo.

• **Use la aspiradora de extracción de polvo adecuada para retirar la mayoría de polvo estático y transportado por aire.** La falla en retirar el polvo estático y transportado por aire podría contaminar el ambiente de trabajo y presentar un riesgo de salud mayor al operador y personas en las cercanías.

• **Use abrazaderas u otras maneras prácticas para asegurar y soportar la pieza de trabajo a una plataforma estable.** Sostener el trabajo a mano o contra su cuerpo es inestable y puede guiar a la pérdida de control y lesiones.

• **Las ventilas de aire a menudo cubren las partes móviles y se deben evitar.** La ropa suelta, joyería, o cabello largo podrían quedar atrapados en las partes móviles.

▲ ATENCIÓN: Cuando no esté en uso, coloque la herramienta en su lado sobre una superficie estable donde no cause un peligro de tropiezo o caída. Algunas herramientas con paquetes de batería grandes pueden quedar verticales sobre el paquete de batería pero se pueden voltear fácilmente.

La etiqueta en su herramienta puede incluir los siguientes símbolos. Los símbolos y sus definiciones son los siguientes:

V volts		o CA/CD corriente alterna o directa
Hz hertz	 Construcción Clase II (aislamiento doble)
min minutos	n_0 velocidad sin carga
— — —	o CD corriente directa	n velocidad nominal
 Construcción Clase I (conectada a tierra)	PSI libras por pulgada cuadrada
... /min por minuto	 terminal de tierra
BPM golpes por minuto	 símbolo de alerta
IPM impactos por minuto	 de seguridad
OPM oscilaciones por minuto	 radiación visible—no mirar directamente a la luz
RPM revoluciones por minuto	 use protección respiratoria
sfpm pies de superficie por minuto	 use protección para los ojos
SPM carreras por minuto	 use protección auditiva
A amperés	 lea toda la documentación
W watts	 no exponga a la lluvia
Wh Watt Horas		
Ah amperios hora		
	o CA corriente alterna		

ENSAMBLE Y AJUSTES

▲ ADVERTENCIA: Para reducir el riesgo de lesiones personales serias, apague la unidad y retire el paquete de batería antes de realizar cualquier ajuste o retirar/

instalar conexiones o accesorios. Un arranque accidental puede causar lesiones.

Conexión y desinstalación de cuchilla (Fig. A–C)

1. Gire (en el sentido de las manecillas del reloj) la palanca de retracción de la protección inferior **8** para retraer la protección de cuchilla inferior **7** y desensamblar la arandela de sujeción interna **22**, la cuchilla de sierra **6** y la arandela de sujeción externa de la cuchilla **11** como se muestra en la Fig. C.
2. Presione el botón de bloqueo del husillo **14** mientras gira el perno de retención de la cuchilla **12** con la llave hexagonal **17** hasta que el bloqueo de la cuchilla se conecte y la cuchilla deje de girar.
3. Apriete firmemente el perno de retención de la cuchilla con la llave hexagonal.

NOTA: La llave hexagonal se guarda en la sierra como se muestra en la Fig. C.

NOTA: El perno tiene rosca a la derecha. Para aflojar, gire en sentido contrario a las manecillas del reloj. Para apretar, gire en sentido de las manecillas del reloj.

NOTA: Nunca conecte el bloqueo de husillo mientras la sierra está en funcionamiento, ni realice un esfuerzo para detener la herramienta. Nunca encienda la herramienta mientras el bloqueo del husillo esté activado. Se producirá un daño grave a su sierra.

Soporte de tableros grandes/Aseguramiento de pieza de trabajo (Fig. D–G)

Soporte paneles grandes para minimizar el riesgo de pellizcos y retrocesos de la cuchilla. Los paneles grandes tienden a combarse por su propio peso como se muestra en la Fig. D.

Los soportes deben colocarse debajo del panel en ambos lados, cerca de la línea de corte y cerca del borde del panel (Fig. E).

▲ ADVERTENCIA: Para reducir el riesgo de lesiones, nunca sostenga la pieza que está cortando con las manos ni la coloque sobre su pierna (Fig. F).

Asegure la pieza de trabajo a una plataforma estable como se muestra en la Fig. G. Es importante apoyar el trabajo adecuadamente para minimizar la exposición del cuerpo, la fijación de la cuchilla o la pérdida de control.

Ajuste de profundidad de corte (Fig. H, I)

La profundidad de corte debe establecerse de acuerdo con el espesor de la pieza de trabajo.

1. Afloje la palanca de ajuste de profundidad **13** para desbloquear la zapata de la sierra **5**.
2. Alinee la zapata de la sierra con la profundidad de corte deseada indicada en las marcas de la escala en la correa de profundidad.
3. Establezca el ajuste de profundidad de la sierra de manera que un diente **19** de la cuchilla sobresalga por debajo de la pieza de trabajo **20** como se muestra en la Fig. I.
4. Apriete la palanca de ajuste de profundidad para bloquear la zapata de la sierra en su lugar.

Ajuste de ángulo de bisel (Fig. J)

Esta herramienta se puede configurar para ángulos de bisel entre 0° y 50°.

1. Afloje (en sentido contrario a las manecillas del reloj) la palanca de ajuste de bisel **9** para desbloquear la zapata de la sierra **5**.
2. Mueva la zapata de la sierra a la posición deseada correspondiente con las marcas de ángulo de bisel en la escala de ángulo de bisel **10**.
3. Apriete (en sentido de las manecillas del reloj) la palanca de ajuste de bisel para bloquear la zapata de la sierra en su lugar.
4. Confirme la precisión del ajuste comprobando el ángulo de bisel de un corte real en un trozo de material de desecho.

Ajuste de zapata para cortes de 90° (Fig. A, K)

La zapata **5** se ha ajustado en fábrica para asegurar que la cuchilla esté perpendicular a la zapata en un ajuste de bisel de 0°.

Si se necesita realinear:

1. Ajuste la sierra al bisel de 0°.
2. Gire (en sentido de las manecillas del reloj) la palanca de retracción de la protección inferior **8** para retraer la protección inferior **7**.
3. Afloje (en sentido contrario a las manecillas del reloj) la palanca de ajuste de bisel **9**. Coloque una escuadra contra la cuchilla **6** y la zapata **5** para ajustar la configuración de 90°.
4. Gire el tornillo de calibración **21** con una punta de destornillador T15 o una llave hexagonal de 3 mm de forma que la zapata se detenga en el ángulo adecuado.
5. Confirme la precisión del ajuste verificando la cuadratura de un corte real en una pieza de desecho del material.

OPERACIÓN

▲ ADVERTENCIA: Para reducir el riesgo de lesiones personales serias, apague la unidad y retire el paquete de batería antes de realizar cualquier ajuste o retirar/instalar conexiones o accesorios. Un arranque accidental puede causar lesiones.

Instalación y desinstalación de Paquete de batería (Fig. B)

NOTA: Para mejores resultados, asegúrese que su paquete de batería esté completamente cargado.

Para instalar el paquete de batería **15** en la manija de la herramienta, alinee el paquete de la batería con los rieles dentro de la manija de la herramienta y deslícelo en la manija hasta que el paquete de batería esté asentado firmemente en la herramienta y asegúrese que no se desconecte.

Para retirar el paquete de batería de la herramienta, presione el botón de liberación de batería **16** y jale firmemente el paquete de batería fuera de la manija de la herramienta. Insértelo en el cargador.

NOTA: Para mejores resultados, use un paquete de baterías de 2.5 ah.

Colocación adecuada de manos (Fig. L)

▲ ADVERTENCIA: Para reducir el riesgo de lesiones personales serias, **SIEMPRE** use la posición de las manos adecuada como se muestra.

▲ ADVERTENCIA: Para reducir el riesgo de lesiones personales serias, **SIEMPRE** sostenga firmemente en anticipación de una reacción repentina.

La posición adecuada de las manos requiere una mano sobre la manija principal **3** y una sobre la manija secundaria **4**.

Interruptor de encendido/apagado (Fig. A)

La sierra está equipada con una función de bloqueo del interruptor para evitar una operación no intencional.

1. Para operar la herramienta, presione el botón de bloqueo en apagado **2** desde cualquier lado de la sierra y manténgalo presionado mientras presiona el interruptor de encendido/apagado **1**.
2. Una vez que haya presionado el interruptor de encendido/apagado y la herramienta esté funcionando, suelte el botón de bloqueo en apagado. La herramienta seguirá funcionando mientras se presione el interruptor de encendido/apagado.
3. Para apagar la herramienta, libere el interruptor de encendido/apagado.

NOTA: Esta herramienta no tiene ninguna disposición para bloquear la herramienta en encendido y el interruptor nunca debe bloquearse en encendido por ningún otro medio.

ESPECIFICACIONES DE CORTE

Ángulo de bisel	0° y 50°
Tamaños de cuchilla	6 1/2" (165 mm)
Profundidad máxima de corte, Bisel 45°	1 4/7" (40 mm)
Profundidad máxima de corte, Bisel 0°	2 1/16" (55 mm)
RPM, sin carga	4300
Diámetro de eje	5/8" (15,8 mm)

Freno eléctrico automático

Su sierra está equipada con un freno de hoja eléctrico que detiene la hoja de la sierra dentro de 1–2 segundos después de soltar el gatillo. Esto es automático y no requiere ajuste.

Protección de cuchilla inferior (Fig. A, L)

▲ ADVERTENCIA: Peligro de laceración. La protección de cuchilla inferior **7** es una característica de seguridad que reduce el riesgo de lesiones personales serias. Nunca use la sierra si falta la protección inferior, está dañada, mal ensamblada o no funciona correctamente. No confíe en la protección de cuchilla inferior para protegerlo en todas las circunstancias. Su seguridad depende de seguir todas las advertencias y precauciones, así como de la correcta operación de la sierra. Verifique que la protección inferior cierre correctamente antes de cada uso como se describe en **Instrucciones de seguridad adicionales para todas las sierras**. Si falta la protección de cuchilla inferior o no funciona correctamente, pida que den servicio a la sierra antes de usarla. Para garantizar la seguridad y confiabilidad del producto, la reparación, el mantenimiento y el ajuste deben ser realizados por un centro de servicio autorizado u otra organización de servicio calificada, utilizando siempre partes de repuesto idénticas.

▲ ADVERTENCIA: Para minimizar el riesgo de lesiones oculares, use siempre protección para los ojos. El carburo es un material duro pero quebradizo. Los objetos extraños en la pieza de trabajo, como alambre o clavos, pueden hacer que las puntas se agrieten o rompan. Sólo opere la sierra cuando la protección adecuada de la cuchilla de sierra esté en su lugar. Monte la cuchilla de forma segura en la rotación adecuada antes de usarla, y siempre use una cuchilla limpia y afilada.

▲ ADVERTENCIA: Para reducir el riesgo de lesiones, es importante soportar el trabajo apropiadamente y sostener la sierra firmemente para prevenir la pérdida de control que podría causar lesiones personales. La Fig. L ilustra el soporte de mano típico.

▲ ADVERTENCIA: Para reducir el riesgo de lesiones personales serias, lea, entienda y siga todas las advertencias de seguridad e instrucciones importantes antes de usar la herramienta.

Selección de cuchilla

Su sierra circular está diseñada para usarse con cuchillas de 6 1/2" (165 mm) de diámetro que tienen un diámetro interior de 5/8" (15,8 mm). Use sólo cuchillas de sierra que estén marcadas con una velocidad igual o superior a la velocidad marcada en la herramienta. NO use ruedas abrasivas o ruedas de diamante en seco.

Cortes generales (Fig. A)

▲ ADVERTENCIA: Para reducir el riesgo de lesiones, retire la batería y siga todas las instrucciones de montaje, ajuste y configuración.

Asegúrese que funcione la protección inferior. Seleccione la cuchilla adecuada para el material a cortar.

- Mida y marque el trabajo para cortar.
- Apoye y asegure el trabajo correctamente (consulte **Apoyo de tableros grandes/Aseguramiento de pieza de trabajo**).
- Utilice el equipo de seguridad apropiado y requerido (consulte **Información de seguridad adicional**).
- Asegure y mantenga el área de trabajo (consulte **Instrucciones de seguridad para todas las sierras**).
- Con la batería **15** insertada, asegúrese que el interruptor de encendido/apagado **1** encienda y apague la sierra.

Aserrado

▲ ADVERTENCIA: Para reducir el riesgo de lesiones personales graves, sujete siempre la herramienta con ambas manos.

• Mantenga su cuerpo colocado en el otro lado de la cuchilla, pero no alineado con la cuchilla de la sierra. El retroceso podría causar que la sierra salte hacia atrás. Consulte **Instrucciones de seguridad adicionales para todas las sierras y Causas de retroceso y advertencias relacionadas**.

- Deje que la cuchilla corra libremente durante unos segundos antes de comenzar el corte.
- Aplique sólo una presión suave a la herramienta mientras realiza el corte.
- Trabaje con la zapata presionada contra la pieza de trabajo.

Consejos para uso óptimo

- Como no se pueden evitar algunas astillas a lo largo de la línea de corte en el lado superior de la pieza de trabajo, corte en el lado donde las astillas sean aceptables.
- Cuando se deba minimizar el astillado, por ej., al cortar laminados, sujete una pieza de madera contrachapada en la parte superior de la pieza de trabajo.

Corte de cavidad (Fig. A, M)

▲ ADVERTENCIA: Nunca ate la protección de cuchilla en una posición elevada. Nunca mueva la sierra hacia atrás cuando corte cavidades. Esto puede hacer que la unidad se levante de la superficie de trabajo, lo que podría causar lesiones.

Un corte de cavidad es aquel que se realiza cuando el borde del material no empuja el protector inferior para abrirlo, sino

el borde inferior de la cuchilla giratoria corta en el medio del material.

1. Ajuste la zapata **5** para que la cuchilla corte a la profundidad deseada.
2. Incline la sierra hacia adelante y apoye la parte delantera de la zapata sobre el material a cortar.
3. Con la palanca de retracción, retraiga la protección de cuchilla inferior hacia arriba. Baje la parte trasera de la zapata hasta que los dientes de la sierra casi toquen la línea de corte.
4. Suelte la protección de cuchilla (su contacto con el trabajo lo mantendrá en posición para abrirse libremente al comenzar el corte). Retire la mano de la palanca de protección y sujete firmemente la manija secundaria **4**, como se muestra en la Fig. M. Coloque su cuerpo y brazo para permitirle resistir el contragolpe si ocurre.
5. Asegúrese que la cuchilla no esté en contacto con la superficie de corte antes de arrancar la sierra.
6. Encienda el motor, permita que la sierra alcance la velocidad máxima y luego baje gradualmente la sierra hasta que su zapata descanse sobre el material que se va a cortar. Avance la sierra a lo largo de la línea de corte hasta que se complete el corte.
7. Suelte el gatillo y permita que la cuchilla se detenga por completo antes de retirar la cuchilla del material.
8. Al comenzar cada nuevo corte, repita los anterior.

Desgarre (Fig. C, N)

El corte es el proceso de cortar tablas más anchas en tiras más angostas, cortando el grano longitudinalmente. Guiar a mano es más difícil para este tipo de aserrado y se recomienda el uso de la guía de corte BLACK+DECKER. Una guía de corte está disponible por un costo adicional en su distribuidor o centro de servicio autorizado local.

Instalación de guía de corte (Se vende por separado)

Puede instalar una guía de corte **23** en su sierra circular alojando el tornillo de bloqueo de la guía de corte **24** con la llave hexagonal incluida **17** e insertando la guía de corte como se muestra en la Fig. N. Cuando la guía de corte está en la posición deseada, use la llave hexagonal para apretar el tornillo de bloqueo de la guía de corte, asegurándolo en su lugar.

MANTENIMIENTO

▲ ADVERTENCIA: Para reducir el riesgo de lesiones personales serias, apague la unidad y retire el paquete de batería antes de realizar cualquier ajuste o retirar/instalar conexiones o accesorios o antes de la limpieza. Un arranque accidental puede causar lesiones.

Su herramienta BLACK+DECKER ha sido diseñada para funcionar durante un largo período de tiempo con un mínimo de mantenimiento. La operación satisfactoria continua depende del cuidado adecuado de la herramienta y la limpieza regular.

Accesorios

▲ ADVERTENCIA: Ya que los accesorios, diferentes a los ofrecidos por BLACK+DECKER, no han sido probados con este producto, el uso de tales accesorios con esta herramienta podría ser peligroso. Para reducir el riesgo de lesiones, sólo se deben usar accesorios recomendados por BLACK+DECKER con este producto.

Los accesorios recomendados para uso con su herramienta están disponibles por un costo adicional a partir de su distribuidor local o centro de servicio autorizado. Si necesita

ESPAÑOL

asistencia para localizar cualquier accesorio, póngase en contacto con BLACK+DECKER. Llame al **1-800-544-6986**.

Extracción de polvo (Fig. A)

▲ ADVERTENCIA: Riesgo de inhalación de polvo. Para reducir el riesgo de lesiones personales, **SIEMPRE** use una máscara de polvo aprobada.

▲ ADVERTENCIA: **SIEMPRE** use un extractor de aspirado diseñado en cumplimiento con las directivas aplicables respecto a la emisión de polvo cuando corte madera. Las mangueras de aspirado de las aspiradoras más comunes se adaptarán directamente en la salida de extracción de polvo. Un puerto de extracción de polvo **18** está disponible por un costo adicional en su distribuidor o centro de servicio autorizado local.

Limpieza

▲ ADVERTENCIA: Sople la suciedad y el polvo de todos los conductos de ventilación con aire seco, al menos una vez por semana. Para reducir el riesgo de lesiones, utilice siempre protección para los ojos aprobada ANSI Z87.1 al realizar esta tarea.

▲ ADVERTENCIA: Nunca utilice solventes ni otros químicos abrasivos para limpiar las piezas no metálicas de la herramienta. Estos productos químicos pueden debilitar los materiales plásticos utilizados en estas piezas. Utilice un paño humedecido sólo con agua y jabón neutro. Nunca permita que penetre líquido dentro de la herramienta ni sumerja ninguna de las piezas en un líquido.

Reparaciones

El cargador y las unidades de batería no pueden ser reparados. El cargador y la unidad de batería no contienen piezas reparables.

▲ ADVERTENCIA: Para asegurar la **SEGURIDAD** y la **CONFIABILIDAD** del producto, las reparaciones, el mantenimiento y los ajustes (inclusive la inspección y el cambio de las escobillas, cuando proceda) deben ser realizados en un centro de mantenimiento en la fábrica **BLACK+DECKER** u en un centro de mantenimiento autorizado **BLACK+DECKER**. Utilice siempre piezas de repuesto idénticas.

Para reparación y servicio de sus herramientas eléctricas, favor de dirigirse al Centro de Servicio más cercano

CULIACAN, SIN

Bldv. Emiliano Zapata 5400-1 Poniente Col. (667) 717 89 99
San Rafael

GUADALAJARA, JAL

Av. La Paz #1779 - Col. Americana Sector Juárez (33) 3825 6978

MEXICO, D.F.

Eje Central Lázaro Cárdenas No. 18 - Local (55) 5588 9377
D, Col. Obrera

MERIDA, YUC

Calle 63 #459-A - Col. Centro (999) 928 5038

MONTERREY, N.L.

Av. Francisco I. Madero 831 Poniente - (818) 375 23 13
Col. Centro

PUEBLA, PUE

17 Norte #205 - Col. Centro (222) 246 3714

QUERETARO, QRO

Av. San Roque 274 - Col. San Gregorio (442) 2 17 63 14

SAN LUIS POTOSI, SLP

Av. Universidad 1525 - Col. San Luis (444) 814 2383

TORREON, COAH

Bldv. Independencia, 96 Pte. - Col. Centro (871) 716 5265

VERACRUZ, VER

Prolongación Díaz Mirón #4280 - Col. Remes (229) 921 7016

VILLAHERMOSA, TAB

Constitución 516-A - Col. Centro (993) 312 5111

PARA OTRAS LOCALIDADES:

Si se encuentra en México, por favor llame al (55) 5326 7100

Si se encuentra en U.S., por favor llame al

1-800-544-6986

Póliza de Garantía

IDENTIFICACIÓN DEL PRODUCTO:

Sello o firma del Distribuidor.

Nombre del producto: _____

Mod./Cat.: _____

Marca: _____

Núm. de serie: _____

(Datos para ser llenados por el distribuidor)

Fecha de compra y/o entrega del producto:

Nombre y domicilio del distribuidor donde se adquirió el producto:

Este producto está garantizado por un año a partir de la fecha de entrega, contra cualquier defecto en su funcionamiento, así como en materiales y mano de obra empleados para su fabricación. Nuestra garantía incluye la reparación o reposición del producto y/o componentes sin cargo alguno para el cliente, incluyendo mano de obra, así como los gastos de transportación razonablemente erogados derivados del cumplimiento de este certificado.

Para hacer efectiva esta garantía deberá presentar su herramienta y esta póliza sellada por el establecimiento comercial donde se adquirió el producto, de no contar con ésta, bastará la factura de compra.

Excepciones

Esta garantía no será válida en los siguientes casos:

- Cuando el producto se hubiese utilizado en condiciones distintas a las normales;
 - Cuando el producto no hubiese sido operado de acuerdo con el instructivo de uso que se acompaña;
 - Cuando el producto hubiese sido alterado o reparado por personas distintas a las enlistadas al final de este certificado.
- Anexo encontrará una relación de sucursales de servicio de fábrica, centros de servicio autorizados y franquiciados en la

República Mexicana, donde podrá hacer efectiva su garantía y adquirir partes, refacciones y accesorios originales.

Solamente para propósito de México:

Importado por: Black and Decker S.A de C.V.

Antonio Dovali Jaime #70 Torre C Piso 8

Col. Santa Fe Alvaro Obregon,

Ciudad de Mexico, Mexico.

C.P 01210

TEL(52) 55 53267100

R.F.C.BDE8106261W7

Divulgación de Quebec

No garantizamos la disponibilidad de partes de repuesto, servicios de reparación ni la información necesaria para mantener o reparar productos sujetos a la Ley de Protección al Consumidor de Quebec, modificada por el Proyecto de Ley 29.

Registro en Línea

Gracias por su compra. Registre su producto ahora para:

- **GARANTÍA LIMITADA DE 3 AÑOS ADICIONAL:** Registrar su producto dentro de los 30 días posteriores a su compra activará la garantía adicional. (se requiere comprobante de compra).
- **SERVICIO DE GARANTÍA:** Registrar su producto le ayudará a obtener un servicio de garantía más eficiente en caso de que surja algún problema.
- **CONFIRMACIÓN DE PROPIEDAD:** En caso de una pérdida de seguro, tal como un incendio, inundación o robo, su registro de propiedad servirá como una evidencia de compra.
- **PARA SU SEGURIDAD:** Registrar su producto nos permitirá ponernos en contacto con usted en el evento improbable que se requiera una notificación de seguridad bajo la Ley Federal de Seguridad al Consumidor.

Regístrese en línea en www.blackanddecker.com/account/login.

Garantía limitada de 2+3 años

Se incluye una Garantía limitada de 2 años de forma estándar. Se requiere el registro del producto, junto con el comprobante de compra, dentro de los 30 días posteriores a la compra para obtener una garantía limitada adicional de 3 años.

Para consultar los términos de la garantía, visite

www.blackanddecker.com/warranty.

Para solicitar una copia escrita de los términos de garantía, póngase en contacto con: Servicio al cliente en Black & Decker, 701 East Joppa Road, Towson, MD 21286 o llame al **1-800-544-6986**.

AMÉRICA LATINA: Esta garantía no aplica a productos vendidos en América Latina. Para productos vendidos en América Latina, revise la información de garantía del país específico contenida en el empaque, llame a la compañía local o consulte la página de Internet respecto a tal información.

BLACK+DECKER

Compatible battery packs and chargers / Blocs-piles et chargeurs compatibles / Baterías y cargadores compatibles

20V Max* Li-Ion	Battery Packs Blocos-piles Baterías	LBXR20, LBXR20BT, LBXR2020, LBXR2025, LBXR2520, LB2X3020, LB2X4020, LBD2020S, LBD1520S, LBD2520S, LBD2520, LBD4020S
	Chargers Chargeurs Cargadores	LCS20, L2AFC, L2AFCBST, LCS201, LCS1620, LCS200, BDCA202, BDCAC202B, BDDC201, BDDC201B, BDCB101, LCS1620B

* Maximum initial battery voltage (measured without a workload) is 20 volts. Nominal voltage is 18.

* La tension initiale maximum du bloc-piles (mesurée à vide) est de 20 volts. La tension nominale est de 18.

* El máximo voltaje inicial de la batería (medido sin carga de trabajo) es 20 voltios. El voltaje nominal es de 18.

⚠ WARNING: Use of any other battery packs may create a risk of injury and fire.

⚠ AVERTISSEMENT : utiliser d'autres blocs-piles peut créer un risque de blessure ou d'incendie.

⚠ ADVERTENCIA: El uso de cualquier otro paquete de batería puede crear un riesgo de lesiones e incendio.

NOTE: DO NOT charge when the battery pack is below 40 ° F (4.5 ° C) or above 104 ° F (40 ° C). Do not store or use the tool and battery pack in locations where the temperature may reach or exceed 104 ° F (40 ° C).

REMARQUE : NE PAS charger lorsque le bloc-piles est en dessous de 4,5 ° C (40 ° F) ou au-dessus de 40 ° C (104 ° F). Ne pas entreposer ou utiliser l'outil et le bloc-piles dans des endroits où la température peut atteindre ou excéder 40 ° C (104 ° F).

NOTA: NO cargue cuando el paquete de batería esté debajo de 4,5 ° C (40 ° F), o arriba de 40 ° C (104 ° F). No almacene ni use la herramienta y el paquete de baterías en lugares donde la temperatura pueda alcanzar o exceder los 40 ° C (104 ° F).