

Use & Care Guide
Manual de Uso y Cuidado
English / Español

Model/Modelo: 119.16145210
Item / Artículo: 640-03982741-5

Kenmore®

Liquid Propane Gas Grill

Parilla a gas de propane liquido

P/N MCDLPTM000
Sears Brands Management Corporation
Hoffman Estates, IL 60179 U.S.A
www.kenmore.com
www.sears.com
www.kmart.com



	DANGER	
<p>If you smell gas:</p> <ol style="list-style-type: none"> 1. Shut off gas to the appliance. 2. Extinguish any open flame. 3. Open lid. 4. If odor continues, keep away from the appliance and immediately call your gas supplier or your fire department. 		

	WARNING	
<ol style="list-style-type: none"> 1. Do not store or use gasoline or other flammable liquids or vapors in the vicinity of this or any other appliance. 2. An LP tank not connected for use shall not be stored in the vicinity of this or any other appliance. 		

Call the Grill Information Center for Help and Parts.
 Missing Parts? Assembly Questions? Operation Problems?
 Before returning to store, call:

1-800-933-0527

Monday through Friday: 8:30 to 5:00 Central Time.

Product Record

IMPORTANT: Fill out and keep the product record information below with your sales register receipt.

<p>Model Number: _____</p> <p>Serial Number: _____ See rating label on grill for serial number.</p> <p>Date Purchased: _____</p>
--

	WARNING	
<p>CALIFORNIA PROPOSITION 65 This product contains chemicals, including lead and lead compounds, known to the State of California to cause cancer, birth defects or other reproductive harm.</p> <p><i>Wash your hands after handling this product.</i></p>		

	CAUTION	
<p>For residential use only. Do not use for commercial cooking.</p>		

Installation Safety Precautions

- Use this grill, as purchased, only with LP (propane) gas and the regulator/valve assembly supplied.
- Grill installation must conform with local codes, or in the absence of local codes, with either the National Fuel Gas Code, ANSI Z223.1/NFPA 54, or Natural Gas and Propane Installation Code, CSA-B149.1, or Propane Storage and Handling Code, B149.2.
- All electrical accessories, such as a rotisserie, must be electrically grounded in accordance with local codes, or the National Electrical Code, ANSI/NFPA 70 or Canadian Electrical Code, CSA C22.1. Keep any electrical cords and/or fuel supply hoses away from any hot surfaces.
- This grill is not for use in or on recreational vehicles and/or boats.
- This grill is certified for use in the United States only. Do not modify for use in any other location. Modification will result in a safety hazard.

Safety Symbols

The symbols and boxes shown below explain what each heading means. Read and follow all of the messages found throughout the manual.

	DANGER	
<p>DANGER: Indicates an imminently hazardous situation which, if not avoided, will result in death or serious injury.</p>		

	WARNING	
<p>WARNING: Be alert to the possibility of serious bodily injury if the instructions are not followed. Be sure to read and carefully follow all of the messages.</p>		

	CAUTION	
<p>CAUTION: Indicates a potentially hazardous situation which, if not avoided, may result in a minor or moderate injury.</p>		



TABLE OF CONTENTS

For Your Safety.....	2
Grill Information Center.....	2
Product Record Information.....	2
Safety Symbols.....	2
Installation Safety Precautions.....	2
Kenmore Grill Warranty.....	3
Use and Care.....	4-10
Parts List.....	11-13
Parts Diagram.....	14
Assembly.....	15-23
Troubleshooting.....	24-25
Spanish Guide.....	26-49
Sears Parts and Service Information.....	50

Repair Protection Agreements

Congratulations on making a smart purchase. Your new Kenmore product is designed and manufactured for years of dependable operation. But like all products, it may require repair from time to time. That's when having a Repair Protection Agreement can save you money and aggravation.

Here's what the Repair Protection Agreement* includes:

- **Expert** service by our 10,000 professional repair specialists
- **Unlimited service and no charge** for parts and labor on all covered repairs
- **Product replacement** up to \$1500 if your covered product can't be fixed
- **Discount of 25%** from regular price of service and related installed parts not covered by the agreement; also, 25% off regular price of preventive maintenance check
- **Fast help by phone** – we call it Rapid Resolution – phone support from a Sears representative. Think of us as a “talking owner’s manual.”

Once you purchase the Repair Protection Agreement, a simple phone call is all that it takes for you to schedule service. You can call anytime day or night, or schedule a service appointment online.

The Repair Protection Agreement is a risk-free purchase. If you cancel for any reason during the product warranty period, we will provide a full refund. Or, a prorated refund anytime after the product warranty period expires. Purchase your Repair Protection Agreement today! Some limitations and exclusions apply. For prices and additional information in the **U.S.A.**, call **1-800-827-6655**.

*Coverage in Canada varies on some items. For full details, call Sears Canada at 1-800-361-6665.

Sears Installation Service

For Sears professional installation of home appliances, garage door openers, water heaters, and other major home items, in the U.S.A. or Canada call **1-800-4-MY-HOME®**.

WARRANTY

KENMORE GRILL WARRANTY

One Year Full Warranty on Kenmore Grill

If this grill fails due to a defect in material or workmanship within one year from the date of purchase, call 1-800-4-MY-HOME® to arrange for free repair (or replacement if repair proves impossible).

Five-Year Limited Warranty on Burners

For five years from the date of purchase, any burner that rusts through will be replaced free of charge. After the first year from the date of purchase, you pay for labor if you wish to have it installed.

All warranty coverage excludes ignitor batteries and grill part paint loss, discoloration of surface rusting, which are either expendable parts that can wear out from normal use within the warranty period, or are conditions that can be the result of normal use, accident, or improper maintenance.

All warranty coverage is void if this grill is ever used for commercial or rental purposes.

All warranty coverage applies only if this grill is used in the United States.

This warranty gives you specific legal rights, and you may also have other rights which vary from state to state.

Sears Brands Management Corporation
Hoffman Estates, IL 60179



- **Read and follow all Safety, Assembly, and Use and Care Instructions in this Guide before assembling and cooking with this grill.**
- **Failure to follow all instructions in this Use & Care Guide may lead to fire or explosion, which could result in property damage, personal injury, or death.**

This Grill is for Outdoor Use Only

Tools Needed for Assembly

- Small handled Phillips screwdriver

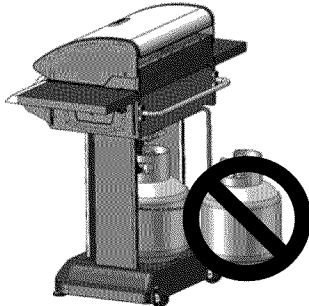
USE AND CARE



DANGER



- **NEVER** store a spare LP cylinder under or near the appliance or in an enclosed area.

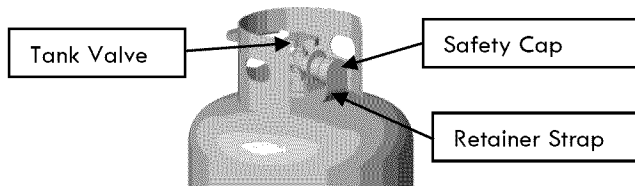


- **Never fill a cylinder beyond 80% full.**
- **If the information in the two points above is not followed exactly, a fire causing death or serious injury may occur.**
- **An overfilled or improperly stored cylinder is a hazard due to the possible gas release from the safety relief valve. This could cause an intense fire with risk of property damage, serious injury, or death.**
- **If you see, smell, or hear gas escaping, immediately get away from the LP cylinder and appliance and call your fire department.**

LP Tank Removal, Transport, and Storage

- Turn OFF all control knobs and LP tank valve. Turn coupling nut counterclockwise by hand only – do not use tools to disconnect. Lift LP tank out of grill. Install the safety cap onto the LP tank valve. Always use the cap and retainer strap supplied with the valve.

Failure to use safety cap as directed may result in serious personal injury and / or property damage.



- A disconnected LP tank in storage or being transported must have a safety cap installed. Do not store an LP tank in enclosed spaces such as a carport, garage, porch, covered patio, or other building. Never leave an LP tank inside a vehicle which may become overheated by the sun.
- Do not store an LP tank in an area where children play.

LP Tank

The LP tank used with your grill must meet the following requirements:

- Use LP tanks only with these required measurements: 12" (30.5cm) (diameter) x 18" (45.7cm) (tall) with 20 lb. (9kg.) capacity maximum.
- LP tanks must be constructed and marked in accordance with specifications for LP tanks of the U.S. Department of Transportation (DOT) or for Canada, CAN/CSA-B339, tanks, spheres and tubes for transportation of dangerous goods. Transport Canada (TC). See LP tank collar for marking.
- LP tank valve must have
 - Type 1 outlet compatible with regulator or grill.
 - Safety relief valve.
 - UL listed Overfill Protection Device (OPD). This OPD Safety feature is identified by a unique triangular hand wheel. **Use only LP tanks equipped with this type of valve.**
- LP tank must be arranged for vapor withdrawal and include collar to protect LP tank valve. Always keep LP tanks in upright position during use, transit, or storage.



LP tank in upright position for vapor withdrawal

LP (Liquefied Petroleum Gas)

- LP gas is nontoxic, odorless and colorless when produced. **For Your Safety**, LP gas has been given an odor (similar to rotten cabbage) so that it can be smelled.
- LP gas is highly flammable and may ignite unexpectedly when mixed with air.

LP Tank Filling

- Use only licensed and experienced dealers.
- LP dealer **must purge new tank** before filling.
- Dealer should **NEVER** fill LP tank more than 80% of LP tank volume. Volume of propane in tank will vary by temperature.
- A frosty regulator indicates gas overfill. Immediately close LP tank valve and call local LP gas dealer for assistance.
- Do not release liquid propane (LP) gas into the atmosphere. This is a hazardous practice.
- To remove gas from LP tank, contact an LP dealer or call a local fire department for assistance. Check the telephone directory under "Gas Companies" for nearest certified LP dealers.



LP Tank Exchange

- Many retailers that sell grills offer you the option of replacing your empty LP tank through an exchange service. Use only those reputable exchange companies that inspect, precision fill, test and certify their tanks. **Exchange your tank only for an OPD safety feature-equipped tank as described in the “LP Tank” section of this manual.**
- Always keep new and exchanged LP tanks in an upright position during use, transit or storage.
- **Leak test new and exchanged LP tanks BEFORE connecting to the grill.**
- Place dust cap on cylinder valve outlet whenever the cylinder is not in use. Only install the type of dust cap on the cylinder valve outlet that is provided with the cylinder valve. Other types of caps or plugs may result in leakage of propane.

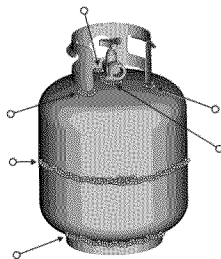
LP Tank Leak Test

For your safety

- A leak test must be repeated each time the LP tank is exchanged or refilled.
- Do not smoke during a leak test.
- Do not use an open flame to check for gas leaks.
- The grill must be leak tested outdoors in a well-ventilated area, away from ignition sources such as gas fired or electrical appliances. During the leak test, keep the grill away from open flames or sparks.
- Use a clean paintbrush and a 50/50 mild soap and water solution. Brush soapy solution onto areas indicated by arrows in the figure below. Leaks are indicated by growing bubbles.

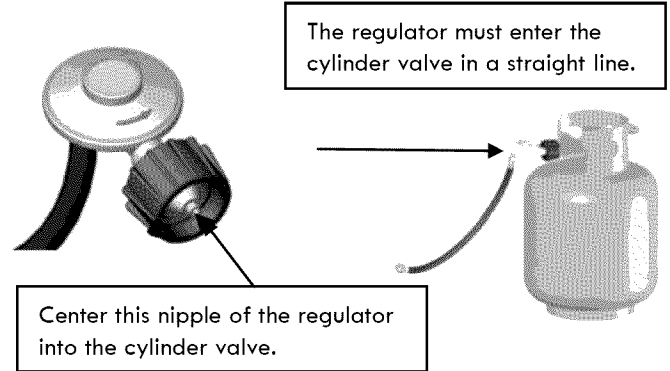
	WARNING	
<p>If “growing” bubbles appear, do not use or move the LP tank. Contact an LP gas supplier or your fire department!</p>		

- ▲ **Do not use household cleaning agents.** Damage to gas valve/hose/regulator components can result.

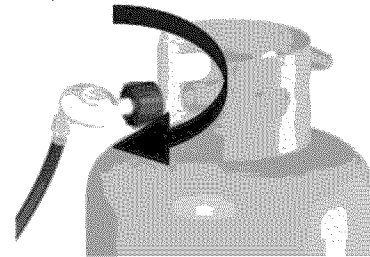


Connecting Regulator To The LP Tank

1. LP tank must be properly secured onto the grill. (Refer to assembly section.)
2. Turn all control knobs to the OFF position.
3. Turn LP tank OFF by turning the OPD hand wheel clockwise to a full stop.
4. Remove the protective cap from LP tank valve. Always use cap and strap supplied with valve.





5. Hold regulator and insert nipple into the LP tank valve. Hand-tighten the coupling nut, holding regulator in a straight line with LP tank valve so as not to cross-thread the connection.
6. Turn the coupling nut clockwise and tighten to a full stop. The regulator will seal on the back-check feature in the LP tank valve, resulting in some resistance. **An additional one-half to three-quarters turn is required to complete the connection. Tighten by hand only – do not use tools.**



NOTE:

If you cannot complete the connection, disconnect the regulator and repeat steps 5 and 6. If you are still unable to complete the connection, do not use this regulator. Call **1-800-4-MY-HOME®** for identical replacement parts.

	CAUTION	
<p>The pressure regulator and hose assembly provided with this gas grill must be used. This regulator is set for an outlet pressure of 11 inches water column. Replacement pressure regulators and hose assemblies must be those specified in the parts list.</p>		

DANGER

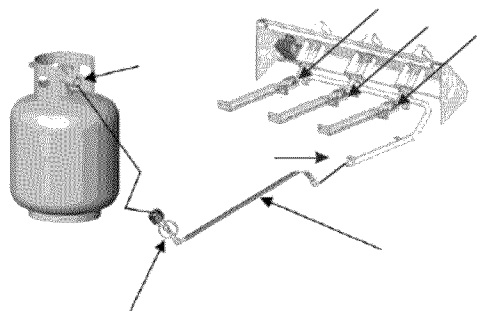
- Do not insert any tool or foreign objects into the valve outlet or safety relief valve. You may damage the valve and cause a leak. Leaking propane may result in explosion, fire severe personal injury, or death.
- If a leak is detected at any time, STOP and call the fire department.
- If you cannot stop a gas leak, immediately close the LP tank valve and call a LP gas supplier or your fire department!

WARNING

- Never attempt to attach this grill to the self-contained LP gas system of a camper trailer or motor home or to any unregulated source of propane.
- Do not use this grill until leak tested.

Leak Testing Valves, Hose, and Regulator

1. Turn all grill control knobs to OFF.
2. Be sure regulator is tightly connected to LP tank.
3. Completely open LP tank valve by slowly turning the OPD hand wheel counterclockwise. If you hear a rushing sound, turn gas off immediately. There is a major leak at the connection. **Correct before proceeding** by calling for replacement parts at 1-800-4-MY-HOME®.
4. Brush soapy solution onto the areas indicated by arrows in the figure below.

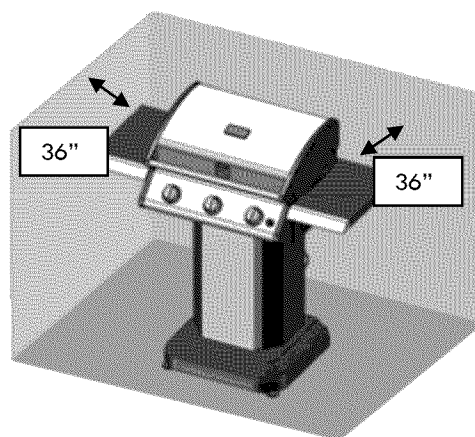


5. If “growing” bubbles appear, there is a leak. Close LP tank valve immediately and retighten connections. **If leaks cannot be stopped do not try to repair.** Call Sears for replacement parts at 1-800-4-MY-HOME®.
6. Always close LP tank valve after performing leak test by turning hand wheel clockwise.

WARNING

For Safe Use of Your Grill and to Avoid Serious Injury:

- Do not let children operate or play near your grill. Keep pets away from your grill.
- Keep grill area clear and free from materials that burn.
- Do not block holes in sides or back of grill.
- Check burner flames regularly.
- Use grill only in well-ventilated space. NEVER use in an enclosed space such as a carport, garage, porch, covered patio, or under an overhead structure of any kind.
- Do not use charcoal or ceramic briquets in this gas grill.
- Use grill at least 36 inches (914mm) from any wall or surface. Maintain 10 ft. clearance to objects that can catch fire, or sources of ignition such as pilot lights on water heaters, live electrical appliances, etc.





- NEVER attempt to light burner with lid closed. A buildup of non-ignited gas inside a closed grill is hazardous.
- Never operate grill with LP cylinder out of correct position specified in assembly instructions.
- Always close LP cylinder valve and remove coupling nut before moving LP cylinder from specified operation position.

Apartment and Condominium Dwellers

Check with management to learn the requirements and fire codes for using an LP gas grill in your complex. If allowed, use outside on the ground floor with a three (3) foot clearance from walls or rails. Do not use on or under balconies.

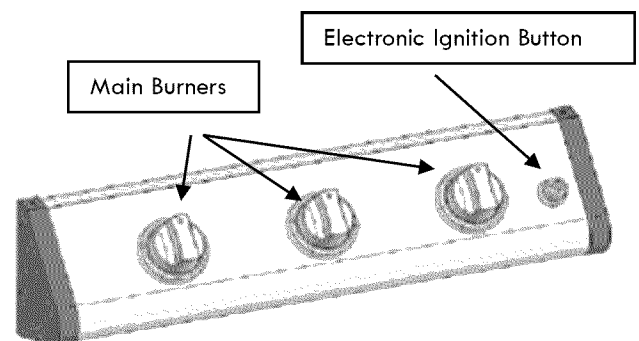
Safety Tips

- ▲ Before opening LP cylinder valve, check the coupling nut for tightness.
- ▲ Before each use, check the gas hose for excessive abrasion or wear, or cuts. Replace a hose assembly showing those signs with the hose assembly specified in the parts list before using the grill. Inspect the hose assembly by following it from the LP tank connection to the gas manifold assembly.
- ▲ Ensure your grill is located on a level surface and use the adjustable feet (if equipped) as necessary to stabilize.
- ▲ Ensure any locking casters are locked (if equipped).
- ▲ Keep any electrical supply cord and the fuel supply hose away from any heated surfaces and water.
- ▲ Do not lean over the grill or touch the edges of the firebox or lid when in use.
- ▲ When grill is not in use, turn off all control knobs and LP cylinder valve.
- ▲ Never move grill while in operation or still hot.
- ▲ Use long-handled barbecue utensils and oven mitts to avoid burns and splatters.
- ▲ Maximum load for side burner and side shelf is 10 lbs.
- ▲ The grease tray must be inserted into grill and emptied after each use. Do not remove grease tray until grill has completely cooled.
- ▲ Clean grill often, preferable after each cookout. If a bristle brush is used to clean any of the grill cooking surfaces, ensure no loose bristles remain on cooking surfaces prior to grilling.
- ▲ If you notice grease or other hot material dripping from grill onto a valve, hose, or regulator, turn off gas supply at once. Determine the cause, correct, and then clean and inspect valve, hose and regulator before continuing. Perform a leak test.
- ▲ Keep ventilation openings in cylinder enclosure (grill cart or cabinet) free and clear of debris.
- ▲ Do not store objects or materials inside the grill cart or cabinet enclosure that would block the flow of combustion air to the underside of either the control panel or the firebox bowl, such as a cover.
- ▲ The regulator may make a humming or whistling noise during operation. This will not affect safety or use of the grill.
- ▲ If you have a grill problem, see the "Troubleshooting Section".
- ▲ If the regulator frosts, turn off grill and LP cylinder valve immediately. This indicates a problem with the cylinder and it should not be used on any product. Return to supplier.

	<h1>CAUTION</h1>	
<ul style="list-style-type: none">● Do not preheat the grill on HIGH with the lid closed for longer than 15 minutes. Preheating the grill with the lid closed beyond this point can result in excessive cooking temperatures and risk of injury.● Putting out grease fires by closing the lid is not possible. Grills are well ventilated for safety reasons.● Do not use water on a grease fire. Personal injury may result. If a grease fire develops, turn knobs and LP cylinder off.● Do not leave grill unattended while preheating or burning off food residue on HIGH. If grill has not been regularly cleaned, a grease fire can occur that may damage the product.		

Main Burner Igniter Lighting

- ▲ **Do not lean over grill while lighting.**
 1. Turn OFF all gas burner control valves.
 2. Turn ON gas source or tank slowly.
 3. Open lid during lighting.
 4. To ignite any main burner, turn the main burner control knob to \nearrow Hi. Immediately press the electronic ignition button for 3 to 5 seconds. You should hear a clicking sound which shows the electronic igniter is working.
 5. Once burner has ignited, turn knob to desired heat setting.
 6. If ignition does not occur in 5 seconds, turn the burner control knob to OFF, wait 5 minutes for gas to clear away, and repeat the lighting procedure.
 7. Repeat steps 4 through 6 for remaining main burners.



WARNING

Turn controls and gas source or tank OFF when not in use.

CAUTION

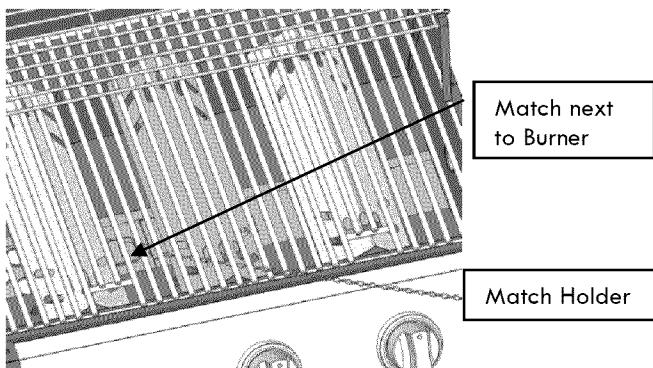
If ignition does NOT occur in 5 seconds, turn the burner controls OFF, wait 5 minutes and repeat the lighting procedure. If the burner does not ignite with the valve open, gas will continue to flow out of the burner and could accidentally ignite with risk of injury.

Match-Lighting

- ▲ Do not lean over grill while lighting.
- ▲ Open lid. Turn on gas at LP cylinder slowly.
- ▲ Light burners one at a time.

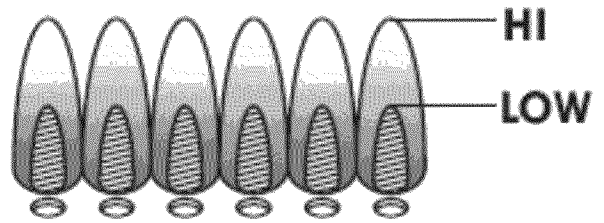
Match Lighting the Main Burners

1. Place match into match holder (hanging from right side of the firebox).
2. Strike the match and position lit match through the grates and hold next to the burner.
3. Push in and turn burner control knob to **Hi**. Continue to press in on the control knob until the burner ignites or up to 5 seconds.
4. If ignition does NOT occur in 5 seconds, turn the burner control knob OFF, wait 5 minutes for gas to clear away, and repeat the lighting procedure.



Burner Flame Check

- Remove cooking grates and heat diffusers. Light burners, and rotate knobs from **Hi** to **Low**. You should see a smaller flame on **Low** than you see on **Hi**. Perform a burner flame check on the side burner as well (if equipped). Always check flame prior to each use. If only low flame is seen, then refer to “Sudden flame drop or low flame” in the Troubleshooting Section.



Turning Grill Off

- Turn all knobs to **OFF**. Turn LP cylinder **OFF** by turning the hand-wheel clockwise to a full stop.

Igniter Check

- Turn gas off at LP cylinder. Press and hold electronic igniter button. A “clicking” sound should be heard and spark seen between the electrode and burner. See “Troubleshooting” if no click or spark.

Batteries

- Batteries will deteriorate over time, especially in outdoor conditions. This can cause their casings to leak. Check the condition of the battery periodically before use. Remove the battery from the electronic ignition before storing your grill.

Valve Check

- **Important: Make sure gas is off at LP cylinder before checking valves.** Knobs lock in **OFF** position. To check valves, first push in knobs and release. Knobs should spring back. If knobs do not spring back, replace valve assembly before using grill. Turn knobs to **Low** position and then turn back to **OFF** position. The valves should turn smoothly.

Hose Check

- Before each use, check to see if hoses are cut or worn. Replace damaged hoses before using grill. Use only identical replacement part valve / hose / regulator as specified in the Parts List of this Use and Care Guide.

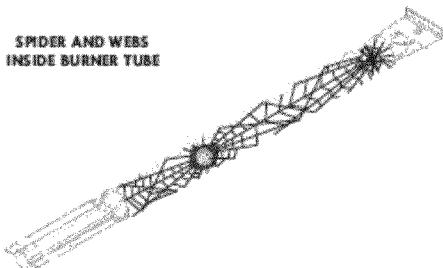
General Grill Cleaning

- **Hood Interior:** Use a strong solution of detergent and water or a grill cleaner with scrub brush. Rinse and allow to air dry. **Do not apply a caustic grill / oven cleaner to painted surfaces.**
- **Plastic Parts:** Wash with warm soapy water and wipe dry.
 - ▲ Do not use citrisol, abrasive cleaners, degreasers or a concentrated grill cleaner on plastic parts. Damage to and failure of parts can result.
- **Porcelain Surfaces:** Because of glass-like composition, most residue can be wiped away with baking soda / water solution or specially formulated cleaner. Use nonabrasive scouring powder for stubborn stains.
- **Painted Surfaces:** Wash with mild detergent or nonabrasive cleaner and warm soapy water. Wipe dry with a soft nonabrasive cloth.

- **Stainless Steel Surfaces:** To maintain your grill's high quality appearance, wash with mild detergent and warm soapy water and wipe dry with a soft cloth after each use. Baked on grease deposits may require the use of an abrasive **plastic** cleaning pad. Use only in direction of brushed finish to avoid damage. Do not use abrasive pad on areas with graphics.
 - Do not allow dirt and grease to accumulate on stainless steel.
 - Do not use steel wool as it will scratch the surface.
 - Many products and naturally occurring substances in the outdoors will damage all stainless steel finishes. Use caution so they do not come in contact with your grill. These include, but are not limited to, pool chemicals (chlorine and bromine), lawn fertilizer, ice melting salts, sea and salt water, urine, bird droppings, and tree sap.
 - **Store your grill 50 to 100 feet away from a pool as many pool chemicals will cause rust.**
- **Cooking Surfaces:** Clean cooking surfaces with a soft bristle brush. Make sure that no loose bristles remain on cooking surfaces prior to grilling. It is not recommended to clean cooking surface while grill is hot.

Spider Alert

SPIDER AND WEBS
INSIDE BURNER TUBE



If you notice that your grill is getting hard to light or that the flame isn't as strong as it should be, take the time to check and clean the burner tubes.

Spiders or small insects have been known to create "flashback" problems. The spiders spin their webs, build nests, and lay eggs in the grill's burner tube(s) obstructing the flow of gas to the burner. The backed-up gas can ignite in the burner tube behind the control panel. This is known as a flashback and it can damage your grill and even cause injury.

To prevent flashbacks and ensure good performance, the burner and burner tube assembly should be removed from the grill and cleaned before use whenever the grill has been idle for an extended period.

Cleaning the Burner Assembly

Follow these instructions to clean and / or replace parts of the burner assembly or if you have trouble igniting the grill.

1. Turn gas off at control knobs and LP tank.
2. Remove the cooking grates and heat diffusers.
3. Remove the Phillips head screws located at the back end of each burner.
4. Lift each burner up and out. Unplug the electronic igniter wire from the electrode.

We suggest three ways to clean the burner tubes. Use the one easiest for you.

(A) Bend a stiff wire (a lightweight coat hanger works well) into a small hook. Run the hook through each burner tube several times.

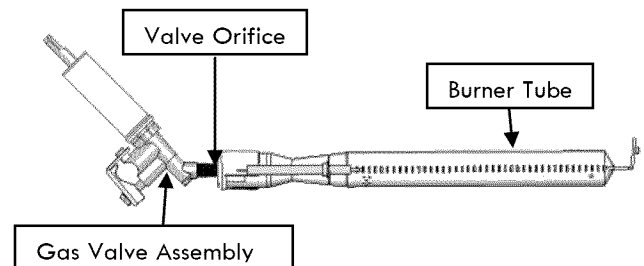


(B) Use a narrow bottle brush with a flexible handle (do not use a brass wire brush). Run the brush through each burner tube several times.

(C) **Wear eye protection.** Use an air hose to force air into the burner tube and out the burner ports. Check each port to make sure air comes out each hole.

5. Use a wire brush along the entire outer surface of burner to remove food residue and dirt.
6. Clean any blocked ports with a stiff wire such as an open paper clip.
7. Check burner for damage. Due to normal wear and corrosion, some holes may become enlarged. Replace the burner if any large cracks or holes are found.

VERY IMPORTANT: Burner tubes must re-engage valve openings (orifices). See illustration below.



8. Plug the electronic igniter wires into the burner electrodes.
9. Carefully replace burner tubes ensuring that the tube end seats over the gas valve as shown in the figure above.
10. Secure burners to back of firebox with Phillips head bolts.
11. Perform a leak test described earlier in this guide before using your grill.

Storing Your Grill

- Clean cooking grates.
- Store in a dry location.
- Remove battery from electronic ignition.
- If LP cylinder is connected to the grill, then the grill must be stored outdoors in a well ventilated space and out of reach of children.
- Storage of a gas grill indoors is permissible ONLY if LP cylinder is turned off, disconnected, and removed from grill. The LP cylinder must remain outdoors.
- Cover your grill. Choose from a variety of grill covers offered by manufacturers.
- When removing grill from storage, follow “Cleaning the Burner Assembly” instructions before starting the grill.

Food Safety

Food safety is a very important part of enjoying the outdoor cooking experience. To keep food safe from harmful bacteria, follow these four basic steps:

Clean: Wash hands, utensils, and surfaces with hot soapy water before and after handling raw meat and poultry.

Separate: Separate raw meats and poultry from ready-to-eat foods to avoid cross contamination. Use a clean platter and utensils when removing cooked foods.

Cook: Cook meat and poultry thoroughly to kill bacteria. Use a thermometer to ensure proper internal food temperatures.

Chill: Refrigerate prepared foods and leftovers promptly.

For more information call: **USDA Meat and Poultry Hotline at 1-800-535-4555 (10:00 am – 4:00 pm EST).**

How To Tell If Meat Is Grilled Thoroughly

- Meat and poultry cooked on a grill often browns very fast on the outside. Use a meat thermometer to be sure food has reached a safe internal temperature.
- NEVER partially grill meat or poultry and finish cooking later. Cook food completely.
- **WARNING:** To ensure that it is safe to eat, food must be cooked to the minimum internal temperatures listed in the table below.

USDA* Safe Minimum Internal Temperatures	
Beef, Veal, Lamb & Pork: Whole Cuts**	145° F
Fish	145° F
Beef, Veal, Lamb & Pork: Ground	160° F
Egg Dishes	160° F
Turkey, Chicken & Duck: Whole, Pieces, & Ground	165° F

* United States Department of Agriculture

**Allow meat to rest three minutes before carving or consuming.

Grilling Tips and Tricks

Food cooked on the grill is either done using direct or indirect cooking. Direct cooking is when the food is cooked directly over lit burners. Food is placed in-between the lit burners for indirect cooking.

Direct: Use direct cooking to sear meats. This helps to keep food moist by locking in juices. Some food, such as steak, is first seared using direct cooking, and then finished cooking using the indirect method. This is generally used for quicker cooking foods. Remain vigilant when grilling using this method, as it's easy to overcook.

Indirect: Is used for foods that take longer to cook, including large cuts of meat such as roasts. It's also used for cooking more delicate food that can dry out quickly such as fish and poultry, for fattier foods to reduce flare-ups, and when grilling using a roasting pan or aluminum foil. Turn burners to medium or low depending on the temperature you want to maintain. Do not place the food directly over any burner when using this grilling method. You can also grill indirectly by turning one or more burners off and placing the food over those burners that are not being used.

- Always “Preheat” your grill before cooking. Turn burner control knobs to Hi and close the lid for 5 to 10 minutes. Then adjust the burner controls to the proper temperature. This heats the grates to help prevent food from sticking.
- The thermometer measures the temperature high on the lid. The temperature down by the cooking grates is warmer.
- Mother Nature can impact your grilling times. Allow more cooking time for cold, wind, and higher altitudes. We recommend you place your grill in an area protected from much wind.
- Trim away any excess fat from meat to reduce flare-ups.
- Keep similar size portions together so that they cook more evenly.
- Larger pieces of meat generally require more cooking time per pound than smaller pieces.
- If a major flare-up or too many flare-ups occur, turn off the gas, and move the food away from the flare-up. Restart the grill once the flare-up has died down. Use a lower temperature to reduce flare-ups.
- Turn foods infrequently. Use tongs rather than a fork when turning food on the grill.
- Know your sauce and when to apply. Oil and vinegar based sauces can be brushed on any time. Sugar based sauces like barbecue sauce should be applied during the last few minutes of cooking.
- Use a small amount of cooking oil on the cooking grates before heating to reduce foods sticking on the grates.

Hardware Pack Listing

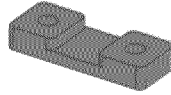


A

Phillips Head Bolt M6x10mm

Qty: 11pcs

Part No.: MCDKY18000



F

Grill Transport Handle Heat Shield

Qty: 2pcs

Part No.: FP0027

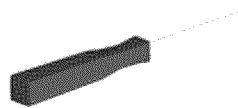


B

Flat Head Bolt M6x25mm

Qty: 4pcs

Part No. MCDKY15000



G

Phillips Head Screwdriver

Qty: 1 pc

Part No.: MCDKY20000



C

Step Head Bolt M6

Qty: 4pcs

Part No.: MCDKY16000



H

Battery Size AA

Qty: 1 pc



D

Flat Head Bolt M6x12mm

Qty: 8pcs

Part No.: MCDKY17000



I

Propane Tank Support Ring Hook

Qty: 1 pc

Part No.: S4061-000B-001



E

Washer Head Bolt M4x10mm

Qty: 9pcs

Part No.: MCDKY19000



J

Propane Tank Support Chain

Qty: 1 pc

Part No.: SE0232-001

Parts List

Key	Qty	Part No	Description
A1	1	HCDLCVA038	Hood Assembly
A2	2	*ASMA0014-03	Hood Bolt
A3	1	MCDKCVW000	Thermometer
B1	1	HCDLBDA148	Firebox Assembly
B2	1	SC0096	Gas Manifold Assembly
B3	2	S7007-026D-018	Shelf Right Front / Left Back Support
B4	2	S7007-026D-017	Shelf Left Front / Right Back Support
B5	1	S1036-026D-016	Control Panel Left Support
B6	1	MCDKADD000	Regulator and Hose Assembly
B7	1	S1036-026D-017	Control Panel Right Support
B8	3	SD0050-A	"1" Burner
B9	1	*ASMB0084-02	Firebox Front Shield Panel
B10	1	HCDLFIC038	Control Panel
B11	3	PLABS0090-001	Control Knob
B12	3	FA0121-001	Control Knob Seat
B13	1	SE0282-001	Manual Igniter Stick
B14	2	FP0027	Grill Transport Handle Heat Shield
B15	1	MCDLBDD000	Grill Transport Handle
B16	1	SE0280-012	Warming Rack
B17	2	SE0281-012	Cooking Grate
B18	3	S1007-012E-015	Heat Diffuser
B19	1	S1017-026D-012	Firebox Rear Shield Panel
B20	1	MCCCYPD125	Grease Pan
B21	1	MCDKYPB000	Grease Pan Bracket
B22	4	FE0025M	Hood Bumper
B23	3	SE9009	Electrode
B24	1	SE9012	Electronic Igniter
B25	1	SE0131B	Electronic Igniter Button
B26	2	*ASMB0081-06	Firebox Assembly Support
B27	1	*ASMB0084-04	Electronic Igniter Wire Set
C1	1	HCDKFRK05N	Cabinet Right Side Panel
C2	1	HCDKFRJ048	Cabinet Left Side Panel
C3	1	MCDKFRLO25	Cabinet Front Panel

Parts List

Key	Qty	Part No	Description
C4	1	HCDKBTA048	Cabinet Bottom Base
C5	2	FE0080	Wheel
C6	2	FE0154N	Adjustable Foot
C7	1	S4061-000B-001	Propane Tank Support Chain Hook
C8	1	SE0232-001	Propane Tank Support Chain
C9	1	MCDKADA025	Gas Manifold Bracket
C10	1	MCDKFRH015	LP Tank Bracket
C11	1	MCDKADG000	Regulator Hose Support Chain
D1	1	HCDKTBJ035	Left Shelf Assembly
D2	1	HCDKTBL035	Right Shelf Assembly
D3	1	MCDKTBK035	Shelf Left Control Panel
D4	1	MCDKTBM035	Shelf Right Control Panel

Not Pictured

N/A	1	PCDKPA1000	Hardware Pack
N/A	1	MCDLPTM000	Manual

If you are missing hardware or have damaged parts after unpacking grill, call 1-800-933-0527 for replacement.

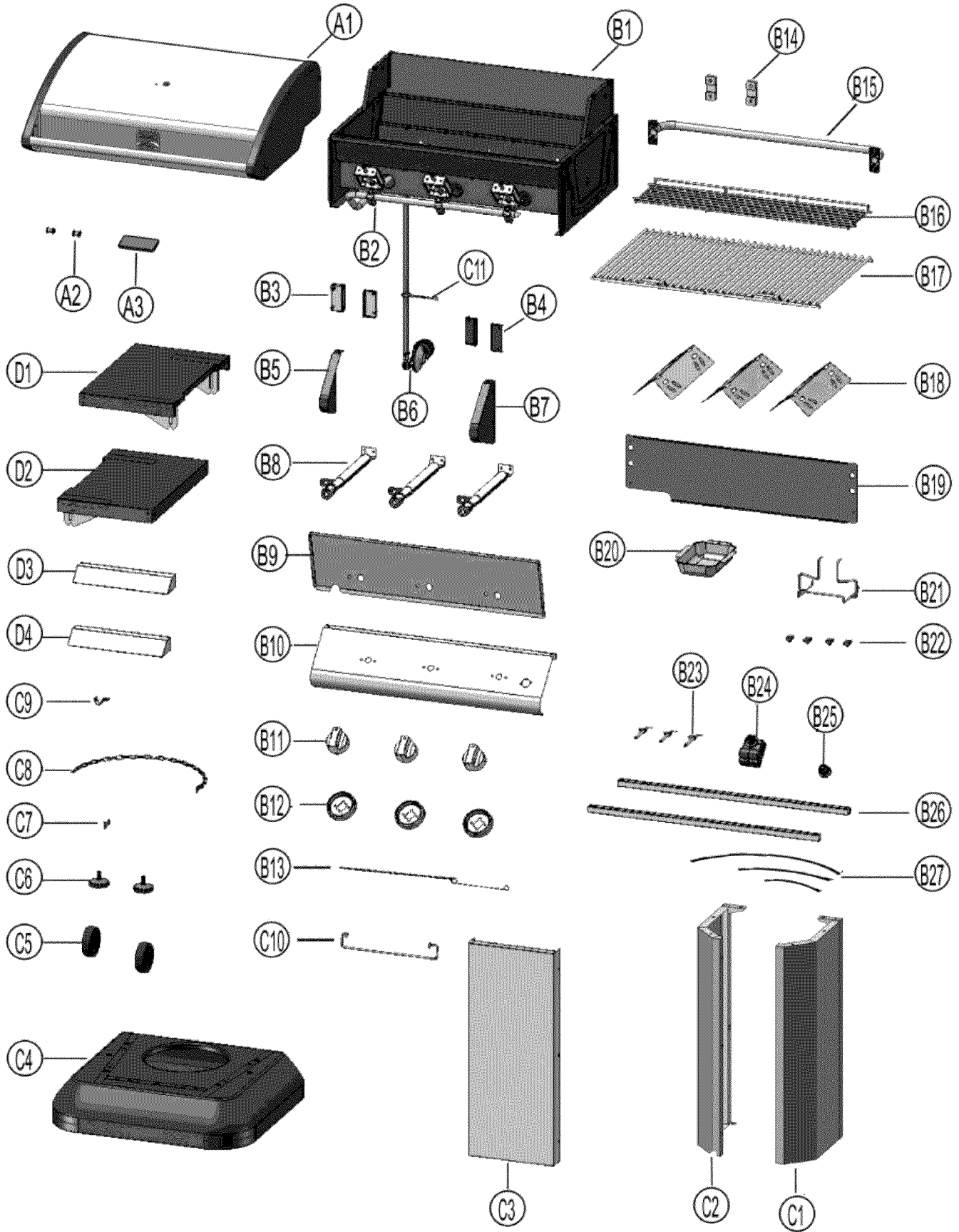
To order replacement parts after using grill, call 1-800-4-MY-HOME®.

To Installer / Assembler: Leave these instructions with the consumer.

To Consumer: Keep this manual for future reference.

CAUTION: Some parts may contain sharp edges. We recommend you wear protective gloves when necessary, including assembling and whenever cleaning your grill.

Parts Diagram



Assembly Instruction

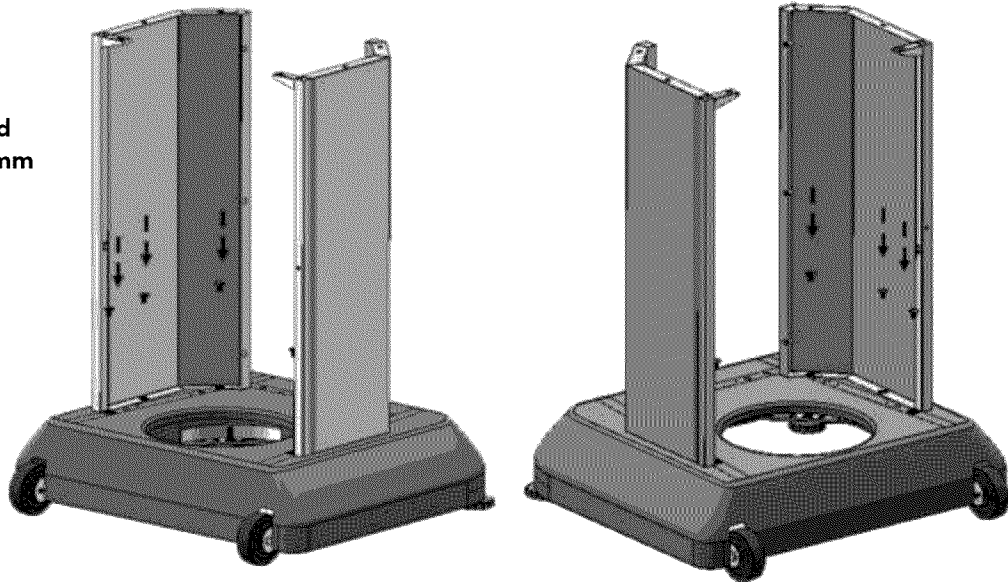
1

Install Cabinet Left Side and Right Side Panels

- Attach Cabinet Left and Right Side Panels to the Cabinet Base using 6 Phillips Head Bolts (M6x10mm). Do not fully tighten bolts at this time.



Phillips Head Bolt M6x10mm
Qty: 6



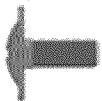
2

Install Cabinet Front Panel and LP Tank Bracket

- Attach Cabinet Front Panel to the Cabinet Left and Right Side Panels using 4 Washer Head Bolts (M4x10mm) at the top and bottom holes. Attach Front Panel so that end with center hole aligns with hole on bottom of Cabinet Base.
- Attach Cabinet Front Panel to the Cabinet Base using 1 Phillips Head Bolt (M6x10mm).
- Ensure cabinet is square, and tighten all bolts.
- Attach the LP Tank Bracket to the Cabinet Front Panel using 2 Washer Head Bolts (M4x10mm) in the center holes as shown.



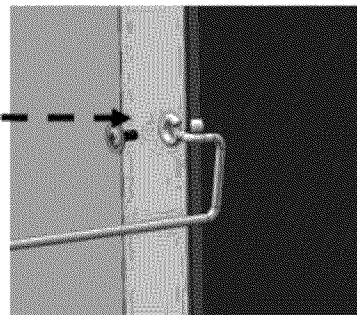
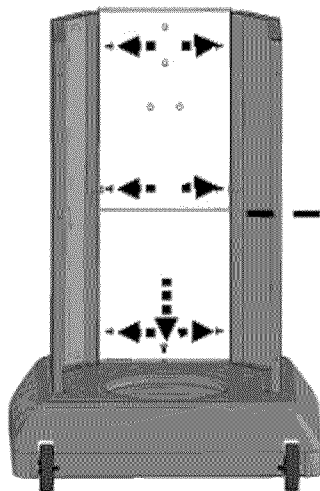
Phillips Head Bolt M6x10mm
Qty: 1



Washer Head Bolt M4x10mm
Qty: 6

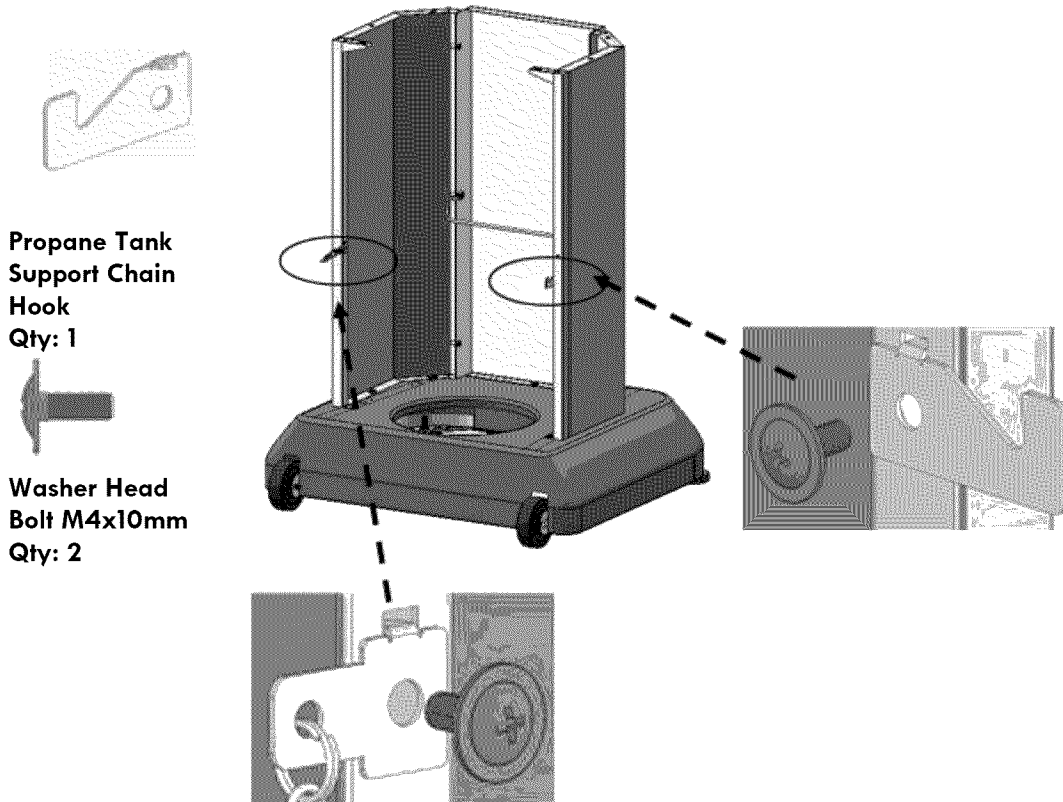


LP Tank Bracket
Qty: 1

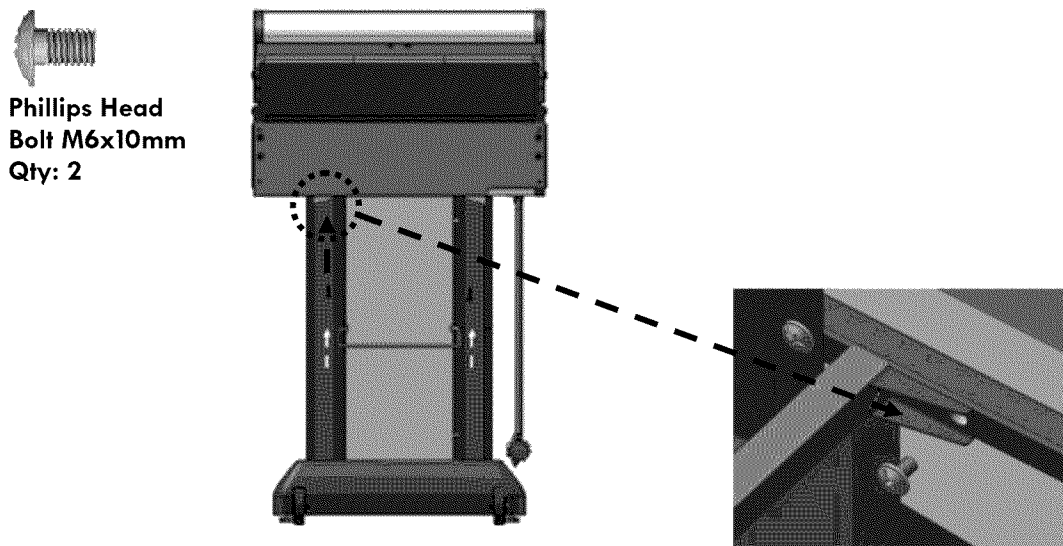


3**Attach Propane Tank Support Chain and Propane Tank Support Chain Hook**

- Attach the Propane Tank Support Chain to Cabinet Left Side Panel using 1 Washer Head Bolt (M4x10mm).
- Attach the Propane Tank Support Chain Hook to Cabinet Right Side Panel using 1 Washer Head Bolt (M4x10mm).

**4****Install Hood and Firebox Assembly**

- Remove Regulator and Hose Assembly from underside of Hood and Firebox Assembly. Remove packing from around the Regulator.
- With the aid of an assistant, place the Hood and Firebox Assembly onto the Cabinet. Attach Firebox to the back of the Cabinet Side Panels using 2 Phillips Head Bolts (M6x10mm).

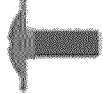


5**Attach Hood and Firebox Assembly to Cabinet Assembly and Install the Regulator Hose Support Chain**

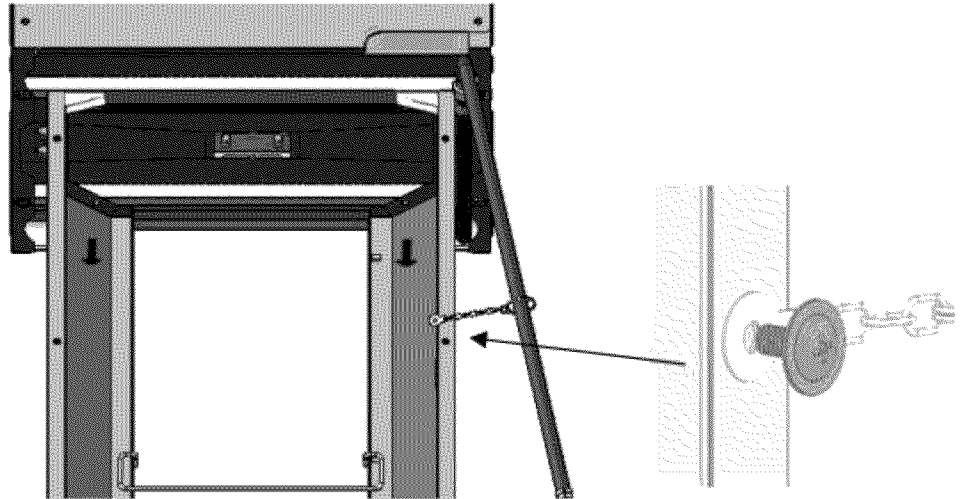
- ☐ Attach the Hood and Firebox Assembly to the front of the Cabinet Side Panels using 2 Phillips Head Bolts (M6x10mm).
- ☐ Attach the Regulator Hose Support Chain (located on the regulator hose) to the back of the Cabinet Side Panel using 1 Washer Head Bolt (M4x10mm).



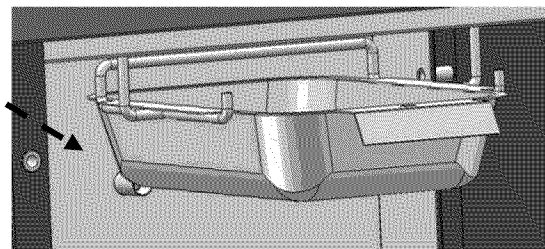
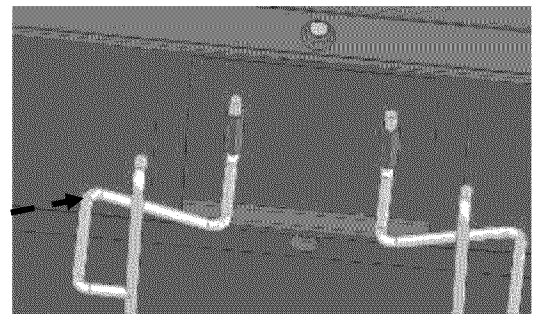
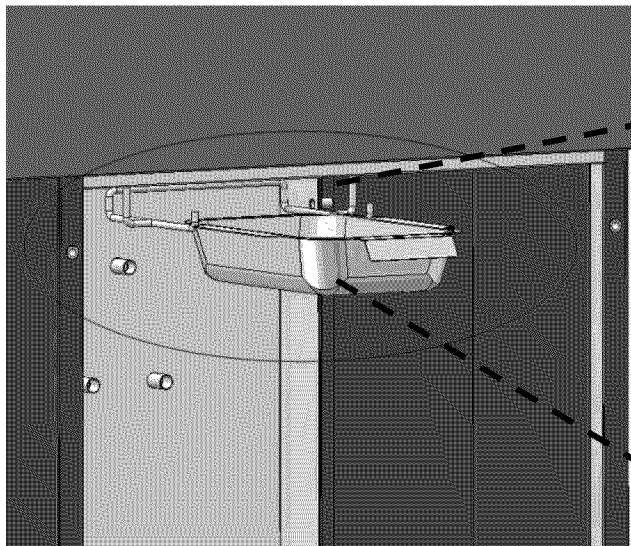
Phillips Head Bolt M6x10mm
Qty: 2



Washer Head Bolt M4x10mm
Qty: 1

**6****Install Grease Pan Bracket and Grease Pan**

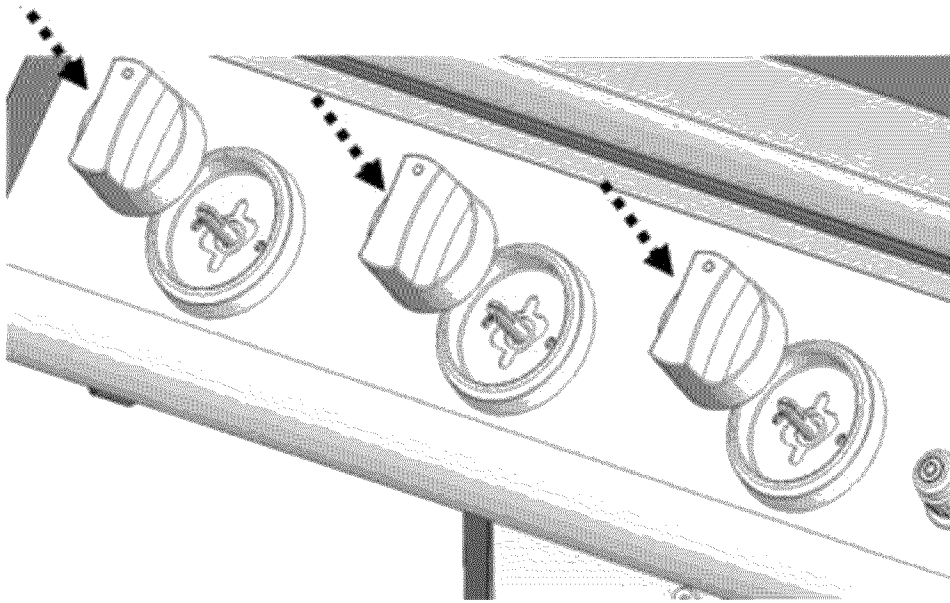
- ☐ Insert the Grease Pan Bracket into the bottom of lower heat shield.
- ☐ Install the Grease Pan into the Grease Pan Bracket, inserting it from the back of the cabinet.



7

Install Control Knobs

- Press 3 Control Knobs onto the valve stems as shown.

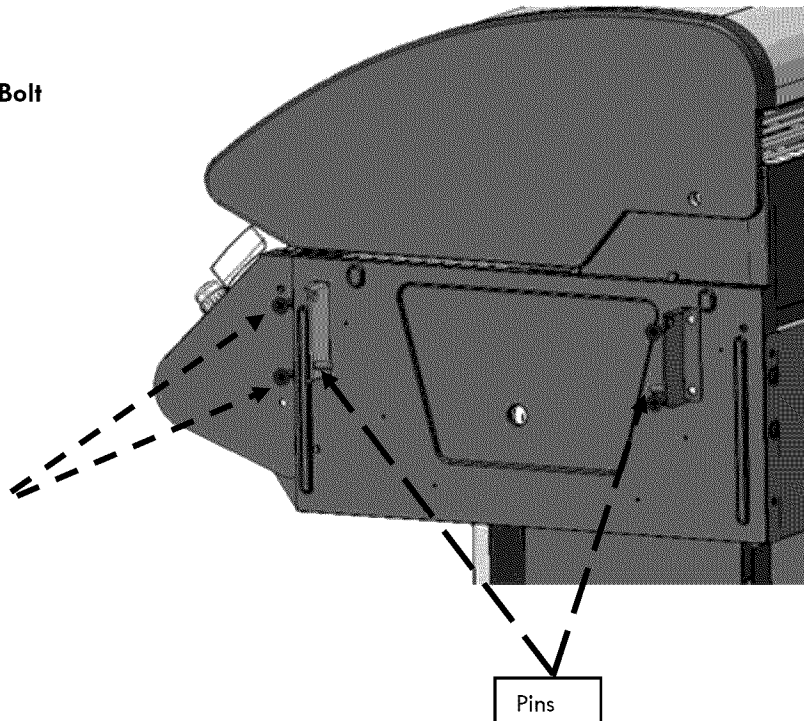
**8**

Install Side Shelf Supports to Firebox Assembly

- Attach Side Shelf Right Front and Back Supports to Firebox Assembly using 4 Flat Head Bolts (M6x12mm).
 - Repeat same procedure to attach Side Shelf Left Front and Back Supports to Firebox Assembly.
- Note: Position the Supports so that the pins are at the bottom of the supports and extend towards the center of the firebox.



Flat Head Bolt
M6x12mm
Qty: 8



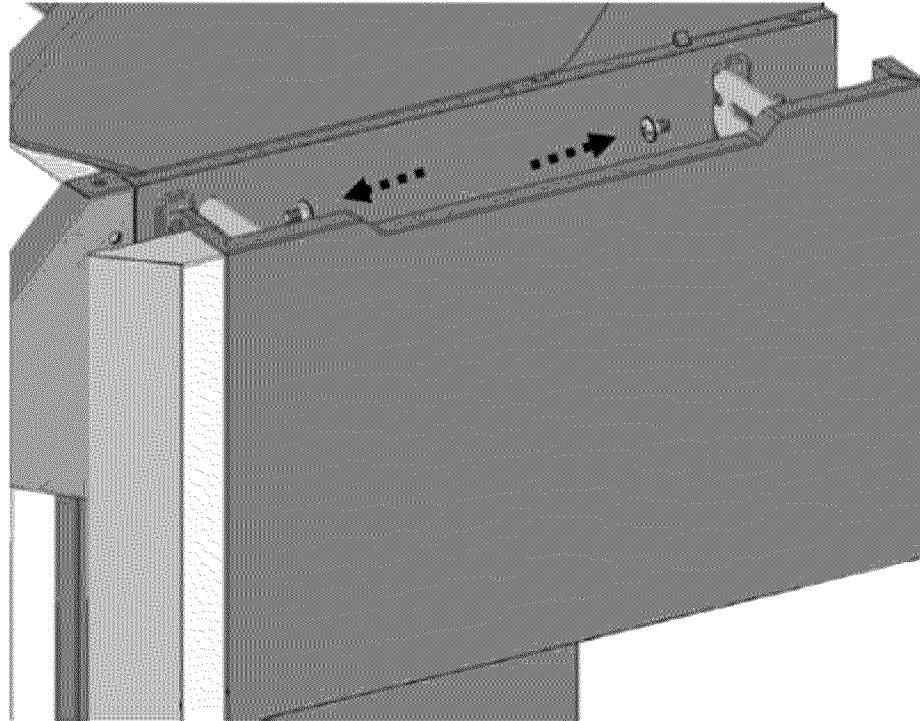
9

Attach Side Shelves

- Position the Shelf Brackets to the inside of the Shelf Supports in the grill storage position.
- Attach Left and Right Shelves to Shelf Supports with 2 Step Bolts (M6) each. Securely tighten.



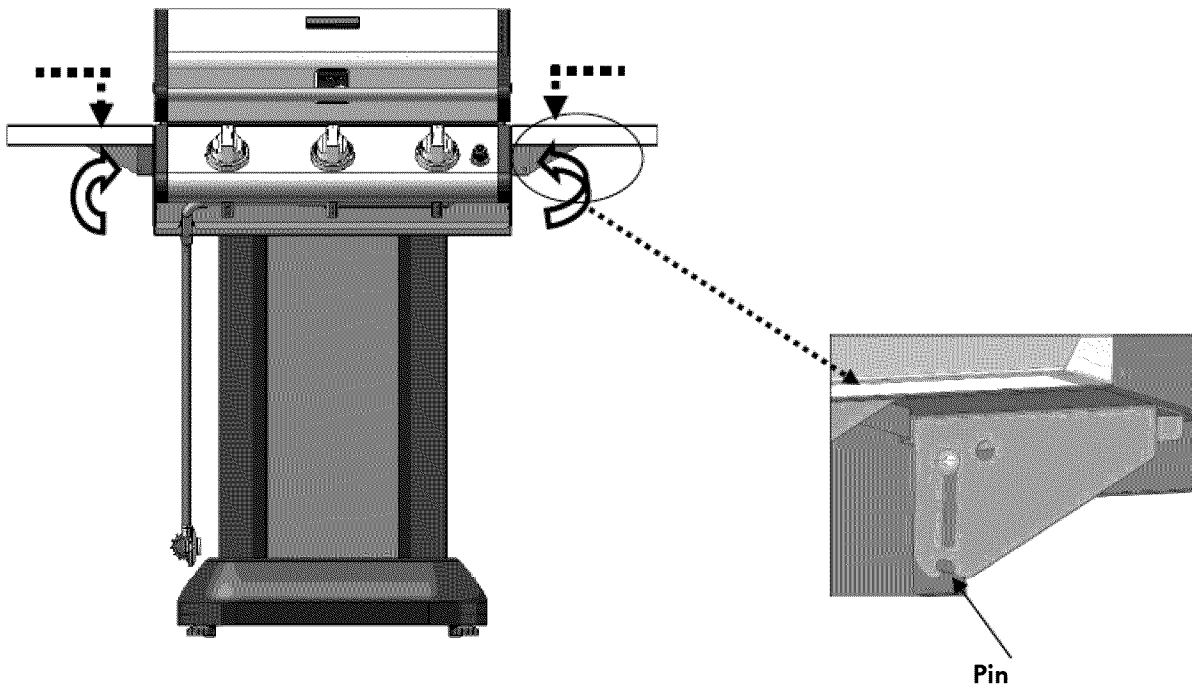
Step Bolt M6
Qty: 4



10

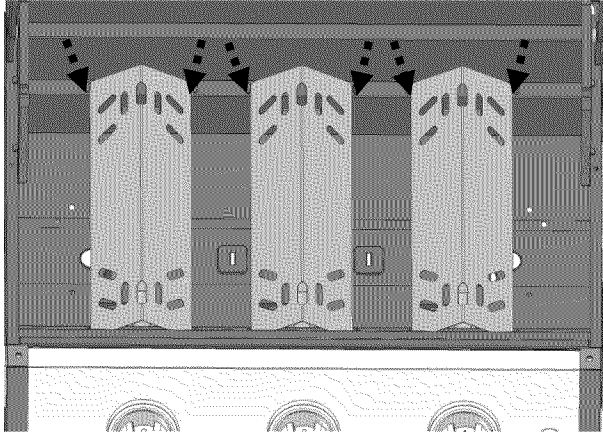
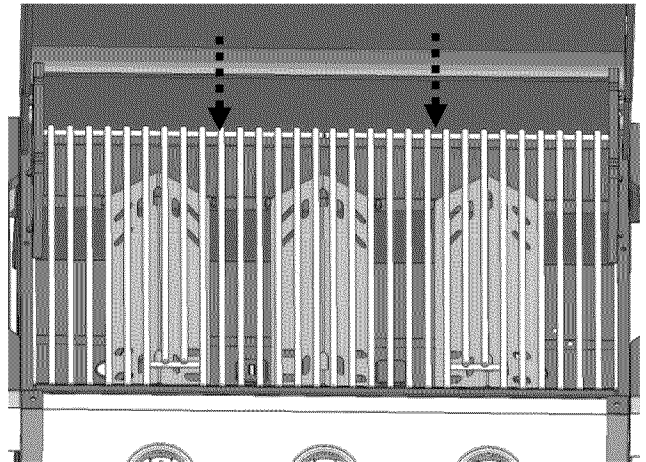
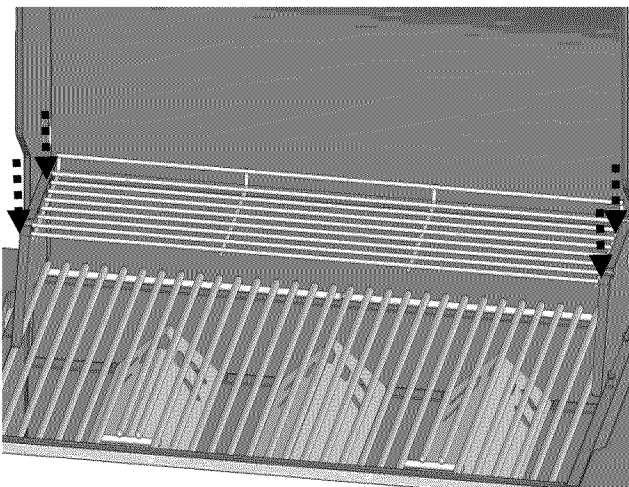
Side Shelf Operation

- Pull up on the Left Side Shelf and slide down over the support pins to secure in the upright position. To lower, slide shelves up and fold down into storage position.



11**Install Heat Diffusers, Cooking Grates, Warming Rack**

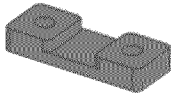
- ❑ Insert Heat Diffusers into the firebox by placing them into the indentations along the front and back of the firebox. See Figure 1.
- ❑ Place the Cooking Grates into the firebox with the Grate finger holes at the front. See Figure 2.
- ❑ Insert the Warming Rack into the slots of the firebox side panels as shown. See Figure 3.

**Figure 1****Figure 2****Figure 3**

12

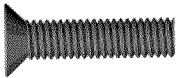
Install Grill Transport Handle

- Attach Grill Transport Handle and 2 Handle Heat Shields to the back of the firebox using 4 Flat Head Bolts (M6x25mm).



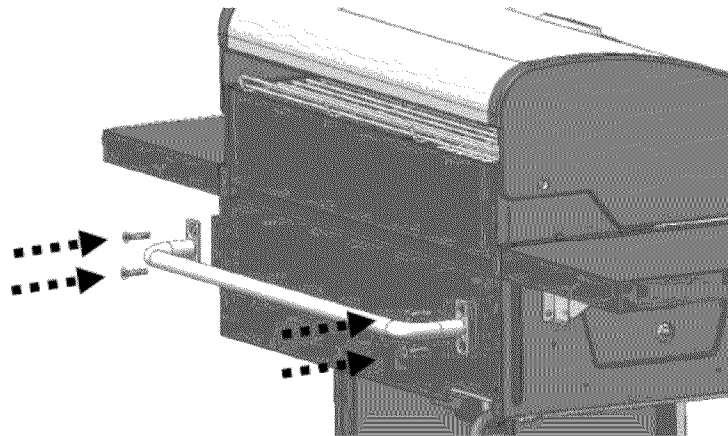
Transport Handle Heat Shield

Qty: 2



Flat Head Bolt M6x25mm

Qty: 4



13

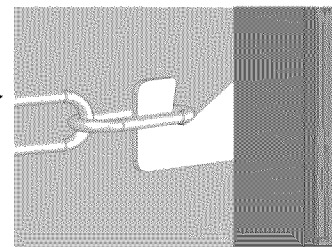
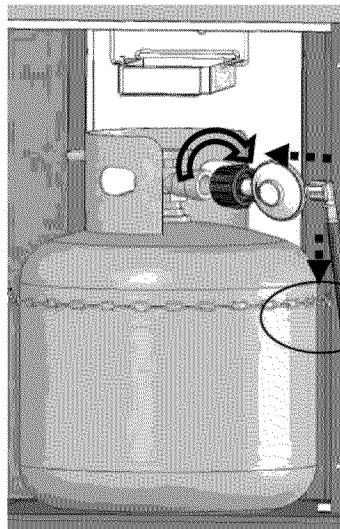
Place and Secure LP Cylinder into the Cabinet

- Be sure the LP cylinder is “Off” by turning the hand wheel clockwise until it stops. Be sure all burner control knobs are turned to the “Off” position.
- Place the LP cylinder down into the tank support hole in the bottom of the cabinet.
- Remove the safety cap from the cylinder valve. Center the nipple of the regulator into the cylinder and turn the black nut clockwise until it stops. **HAND TIGHTEN ONLY.**
- Hang the Propane Tank Support Chain around the LP tank and attach to its hook to secure the tank.



Propane Tank Support Chain

Qty: 1



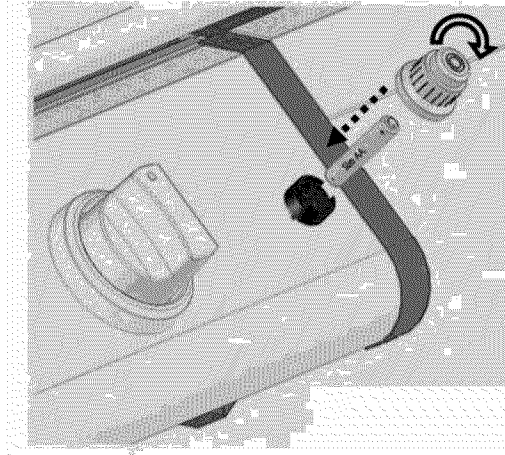
14

Install Battery

- ❑ Unscrew the Electronic Igniter Button. Place the “AA” Battery into the igniter with the positive (+) end up. Screw the button back into place.



Battery (Size AA)
Qty: 1

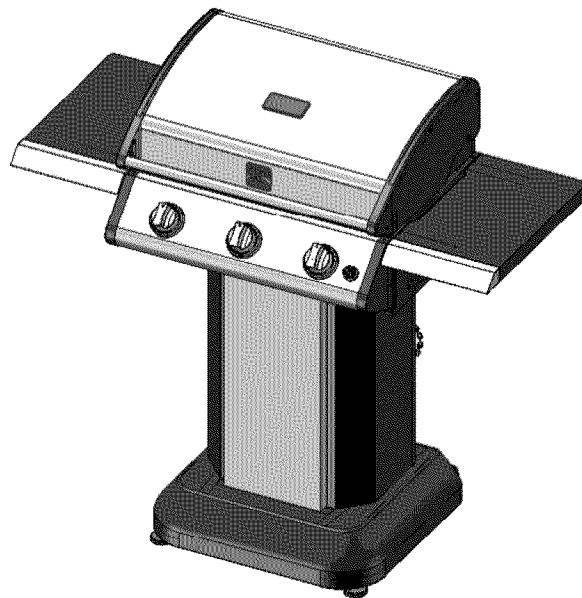


	WARNING	
Do not dispose of batteries into fire as they may leak or explode.		

15

Congratulations! Assembly is now complete!

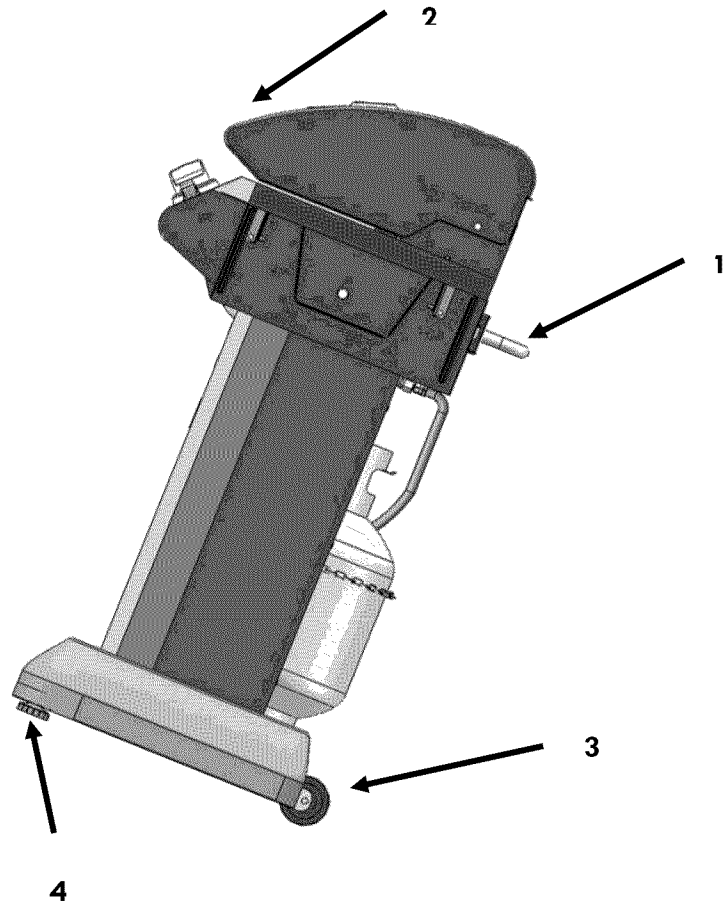
- ❑ Remove any additional labels or packing material from the grill except the CSA and Safety labels. Be sure to clean all foam packing material out of all areas.
- ❑ Read the Operation section of this Use & Care Guide prior to operating your grill.



16**Grill Transport**

- Grasp grill transport handle with one hand (1) and grill hood handle (2) with the other from behind the grill. Place foot against back of base (3) for leverage. Tilt grill back onto wheels to transport.
- Once grill is in desired location, level if necessary by rotating adjustable feet (4) clockwise to raise or counterclockwise to lower.

CAUTION: Grill must be completely cooled down before transporting.



EMERGENCIES: If a gas leak cannot be stopped, or a fire occurs due to gas leakage, call the fire department.



Emergencies	Possible Cause	Prevention / Solution
Gas leaking from cracked/cut /burned hose.	<ul style="list-style-type: none"> Damaged hose. 	<ul style="list-style-type: none"> Turn off gas at LP cylinder or at source on natural gas systems. If anything but burned, replace valve/hose/regulator. If burned, discontinue use of product until a plumber has investigated cause and corrections are made.
Gas leaking from LP cylinder.	<ul style="list-style-type: none"> Mechanical failure due to rusting or mishandling. 	<ul style="list-style-type: none"> Replace LP cylinder.
Gas leaking from LP cylinder valve.	<ul style="list-style-type: none"> Failure of cylinder valve from mishandling or mechanical failure. 	<ul style="list-style-type: none"> Turn off LP cylinder valve. Return LP cylinder to gas supplier.
Gas leaking between LP cylinder and regulator connection.	<ul style="list-style-type: none"> Improper installation, connection not tight, failure of rubber seal. 	<ul style="list-style-type: none"> Turn off LP cylinder valve. Remove regulator from cylinder and visually inspect rubber seal for damage. See LP cylinder Leak Test and Connecting Regulator to the LP Cylinder.
Fire coming through control panel.	<ul style="list-style-type: none"> Fire in burner tube section of burner due to blockage. 	<ul style="list-style-type: none"> Turn off control knobs and LP cylinder valve. Leave lid open to allow flames to die down. After fire is out and grill is cold, remove burner and inspect for spider nests or rust. See Natural Hazard and Cleaning the Burner Assembly pages.
Grease fire or continuous excessive flames above cooking surface.	<ul style="list-style-type: none"> Too much grease building in burner area. 	<ul style="list-style-type: none"> Turn off control knobs and LP cylinder valve. Leave lid open to allow flames to die down. After cooling, clean food particles and excess grease from inside firebox area, grease tray, and other surfaces.

TROUBLESHOOTING:



Problem	Possible Case	Prevention / Solution
Burner(s) will not light ignitor. Continued on next page.	<p>GAS ISSUES:</p> <ul style="list-style-type: none"> Trying to light wrong burner. Burner not engaged with control valve. Obstruction in burner. No gas flow. Vapor lock at coupling nut to LP cylinder. Coupling nut LP cylinder valve not fully connected. <p>ELECTRICAL ISSUE</p> <ul style="list-style-type: none"> Electrode cracked or broken or sparks somewhere other than tip. Electrode tip not in proper position. 	<ul style="list-style-type: none"> See instructions on control panel and in Use and Care section. Make sure valves are positioned inside of burner tubes. Ensure burner tubes are not obstructed with spider webs or other matter. See cleaning section of Use and Care. Make sure LP cylinder is not empty. If LP cylinder is not empty, refer to "Sudden drop in gas flow". Turn off knobs and disconnect coupling nut from LP cylinder. Reconnect and retry. Turn the coupling nut approximately one-half to three-quarters additional turn until solid stop. Tighten by hand only- do not use tools. Replace electrode(s). <p>Main Burners:</p> <ul style="list-style-type: none"> Tip of electrode should be pointing toward gas port opening on burner. The distance should be 1/8" to 3/16". Adjust if necessary. <p>Side Burner:</p> <ul style="list-style-type: none"> Tip of electrode should be pointing toward gas port opening on burner. The distance should be 1/8" to 3/16". Adjust if necessary.

TROUBLESHOOTING (continued)

Problem	Possible Cause	Prevention / Solution
Burner(s) will not light using ignitor.	<ul style="list-style-type: none"> • Wire and/or electrode covered with cooking residue. • Wires are loose or disconnected. • Wires are shorting (sparking) between ignitor and electrode. • Dead battery. • Faulty electronic ignition circuit. • Sparking somewhere other than between burner and electrode. 	<ul style="list-style-type: none"> • Clean wire and /or electrode with rubbing alcohol and clean swab. • Reconnect wires or replace electrode /wire assembly. • Replace ignitor wire /electrode assembly. • Replace with a new alkaline battery. • See Troubleshooting Integrated Electronic Ignition section. • Inspect wire insulation and proper connections. Replace wires if insulation is broken.
Burner(s) will not match light.	<ul style="list-style-type: none"> • See "GAS ISSUES" on previous page. • Improper method of match-lighting. 	<ul style="list-style-type: none"> • See "Match-Lighting" section of Use and Care manual.
Sudden drop in gas flow or low flame.	<ul style="list-style-type: none"> • Out of gas. • Excess flow valve tripped. • Vapor lock at coupling nut / LP tank connection. 	<ul style="list-style-type: none"> • Check for gas in LP tank. • Turn off knobs, wait 30 seconds and light grill. If flames are still low, turn off knobs and LP tank valve. Disconnect regulator. Reconnect regulator and leak-test. Turn on LP tank valve, wait 30 seconds and then light grill. • Turn off knobs and LP tank valve. Disconnect coupling nut from tank. Reconnect and retry.
Flames blow out.	<ul style="list-style-type: none"> • High or gusting winds. • Low on LP gas. • Excess flow valve tripped. 	<ul style="list-style-type: none"> • Turn front of grill to face wind or increase flame height. • Refill LP tank. • Refer to "Sudden drop in gas flow" above.
Flare-up.	<ul style="list-style-type: none"> • Grease buildup. • Excessive fat in meat. • Excessive cooking temperature. 	<ul style="list-style-type: none"> • Clean burners and inside of grill / firebox. • Trim fat from meat before grilling. • Adjust (lower) temperature accordingly.
Persistent grease fire.	<ul style="list-style-type: none"> • Grease trapped by food buildup around burner system. 	<ul style="list-style-type: none"> • Turn knobs to OFF. Turn gas off at LP tank. Leave lid in position and let fire burn out. After grill cools, remove and clean all parts.
Flashback... (Fire in burner tube(s)).	<ul style="list-style-type: none"> • Burner and /or burner tubes are blocked. 	<ul style="list-style-type: none"> • Turn knobs to OFF. Clean burner and /or burner tubes. See burner cleaning section of Use and Care manual.
Unable to fill LP tank.	<ul style="list-style-type: none"> • Some dealers have older fill nozzles with worn threads. 	<ul style="list-style-type: none"> • The worn nozzles don't have enough "bite" to engage the valve. Try a second LP dealer.
One burner does not light from other burner(s).	<ul style="list-style-type: none"> • Grease buildup or food particles in end(s) of carryover tube(s). 	<ul style="list-style-type: none"> • Clean carry-over tube(s) with wire brush.

	PELIGRO	
<p>Si detecta olor a gas:</p> <ol style="list-style-type: none"> 1. Corte el suministro de gas al aparato. 2. Apague cualquier llama. 3. Abra la tapa. 4. Si el olor no desaparece, manténgase alejado del aparato y llame inmediatamente a la compañía del gas o a los bomberos. 		

	PRECAUCIÓN	
<p>Sólo para uso residencial. No la utilice para cocina comercial.</p>		

	ADVERTENCIA	
<ol style="list-style-type: none"> 1. No almacene ni use gasolina, líquidos o vapores inflamables en las inmediaciones de este o cualquier otro aparato. 2. No almacene botellas de propano líquido en las inmediaciones de este aparato ni de ningún otro. 		

Llame al Centro de Información de Barbacoas para solicitar ayuda y piezas. ¿Falta alguna pieza? ¿Preguntas sobre montaje? ¿Problemas de funcionamiento? Antes de volver a la tienda, llame a:



1-800-933-0527

Lunes a Viernes: 8:30 a 5:00 zona horaria central.

Información sobre el producto

IMPORTANTE: Rellene y guarde la siguiente información del producto junto con su justificante de compra. Sólo para uso residencial. No la utilice para cocina comercial.

<p>Número de modelo: _____</p> <p>Número de serie: _____</p> <p>Consulte el número de serie en la placa de características de la barbacoa.</p> <p>Fecha de compra: _____</p>
--

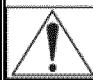
	ADVERTENCIA	
<p>PROPOSICIÓN 65 DE CALIFORNIA</p> <p>El Estado de California tiene constancia de que este producto contiene sustancias químicas, incluidas plomo y compuestos de plomo, que causan cáncer, malformaciones congénitas y otros peligros para la reproducción.</p> <p><i>Lávese las manos después de utilizar este producto.</i></p>		

Precauciones de seguridad de la instalación



- Utilice esta barbacoa, según la ha comprado, con gas LP y el conjunto de regulador/válvula suministrado.
- La instalación debe realizarse de conformidad con la normativa local o, en su defecto, con la Normativa Nacional de Combustible de Gas, ANSI Z223.1/NFPA 54, o el Código de Instalación de Gas Propano y Gas Natural, CSA-B149.1 o el Código de Almacenamiento y Manipulación de Gas Propano, B149.2.
- Todos los accesorios eléctricos, por ejemplo, asadores, deben ser conectados a tierra de conformidad con las disposiciones locales o, en su defecto, con el Código Eléctrico Nacional, ANSI/NFPA 70, o con el Código Eléctrico Canadiense, CSA C22.1. Mantenga los cables alejados de las superficies calientes.
- Esta barbacoa no ha sido diseñada para su uso en vehículos recreativos y/o embarcaciones.
- Esta barbacoa tiene certificación para su uso exclusivamente en Estados Unidos. No la modifique para su utilización en cualquier otro lugar. La modificación puede causar peligros de seguridad.

Símbolos de seguridad

Los símbolos y cuadros que se muestran a continuación explican el significado de cada encabezado. Lea y cumpla con los mensajes que encontrará en el manual.

	PELIGRO	
<p>PELIGRO: Indica una situación de peligro inminente que, si no se evita, puede causar la muerte o lesiones graves.</p>		

	ADVERTENCIA	
<p>ADVERTENCIA: Esté alerta ante la posibilidad de lesiones graves si no se cumplen las instrucciones. Lea detenidamente y siga todos los mensajes.</p>		

	PRECAUCIÓN	
<p>PRECAUCIÓN: Indica una situación potencialmente peligrosa que, si no se evita, puede causar lesiones leves o moderadas.</p>		



ÍNDICE

Para su seguridad	26
Centro de información de barbacoas.....	26
Información sobre el producto	26
Símbolos de seguridad.....	26
Precauciones de seguridad para la instalación	26
Garantía de barbacoa Kenmore.....	27
Uso y mantenimiento.....	28-34
Lista de piezas.....	35-37
Despiece	38
Montaje.....	39-47
Solución de problemas.....	48-49

Contrato de protección de reparaciones

Enhorabuena por su inteligente compra. Su nuevo producto Kenmore ha sido diseñado y fabricado para que pueda disfrutarlo muchos años. Pero, al igual que cualquier otro aparato, puede necesitar reparaciones periódicamente. Por esta razón, un Contrato de protección de reparaciones puede ahorrarle dinero y molestias.

Cobertura del Contrato de protección de reparaciones*:

- **Servicio experto** en cualquiera de nuestros 10.000 puntos de servicio técnico especializado
- **Servicio ilimitado y gratuito** para las piezas y mano de obra en todas las reparaciones cubiertas por la garantía
- **Cambio del producto** hasta 1500 \$, si el producto en garantía no puede ser reparado
- **Descuento del 25%** en el precio de mantenimiento regular y las piezas instaladas no cubiertas por la garantía, un 25% de descuento en el precio normal de revisiones de mantenimiento preventivo
- **Rápida asistencia telefónica** – lo denominamos Solución Rápida – asistencia telefónica de un representante de Sears. Piense en nosotros como un "manual de propietario parlante".

Una vez haya adquirido el Contrato de protección de reparaciones, con una simple llamada podrá solicitar el mantenimiento. Puede llamar a cualquier hora del día o la noche, o acordar una cita de mantenimiento en línea. El Contrato de protección de reparaciones es una compra sin riesgo.

Si, por cualquier motivo, lo cancela durante el periodo de garantía, le devolveremos íntegramente su dinero. O le devolveremos la parte correspondiente si ya ha finalizado el periodo de garantía. ¡Adquiera hoy mismo su Contrato de protección de reparaciones!

El contrato tiene ciertos límites y exclusiones. Para precios e información adicional en **Estados Unidos, llame al número 1-800-827-6655. *La cobertura en Canadá varía en algunos puntos. Para más información, llame a Sears Canada al número 1-800-361-6665.**

Servicio de Instalación Sears

Para el servicio profesional de Sears de electrodomésticos, sistemas de apertura de puertas de garajes, calderas u otros artículos importantes del hogar en EE.UU. o Canadá, llame al teléfono 1-800-4-MY-HOME®.

GARANTÍA

GARANTÍA DE BARBACOA KENMORE

Un año de garantía ilimitada para su barbacoa Kenmore

En caso de defectos de materiales o fabricación durante un año a partir de la fecha de compra, llame al teléfono de contacto 1-800-4-MY-HOME® y se procederá a la reparación gratuita del aparato (o a su sustitución por uno nuevo si la reparación no es posible).

Garantía limitada de cinco años para los quemadores

Durante los cinco primeros años a partir de la fecha de compra, los quemadores oxidados serán sustituidos de forma gratuita.

Transcurrido el primer año tras la fecha de compra, el usuario se hará cargo de los costes de mano de obra que se deriven de la instalación de los quemadores.

La garantía no cubre las pilas del encendedor, la pérdida de pintura de partes de la barbacoa, la decoloración por oxidación de la superficie, dado que se trata de piezas sujetas a desgaste por el uso normal. Tampoco cubre los daños causados por el uso normal, accidentes o mantenimiento incorrecto.

La garantía quedará sin efecto si el aparato se utiliza para fines comerciales o de alquiler.

La garantía se aplica sólo si el aparato se utiliza en Estados Unidos.

Esta garantía le proporciona derechos legales específicos, sin perjuicio de la obtención por su parte de otros derechos, que variarán dependiendo del estado en el que resida.

**Sears Brands Management Corporation
Hoffman Estates, IL 60179**



ADVERTENCIA



- **Lea y siga todas las instrucciones de uso y mantenimiento, montaje y seguridad antes de montar o cocinar con esta barbacoa.**
- **En caso contrario, podrían producirse daños materiales o sufrir lesiones que pueden ser mortales.**

Esta barbacoa debe utilizarse exclusivamente al aire libre

Herramientas necesarias para el montaje

- Destornillador Phillips de mango pequeño

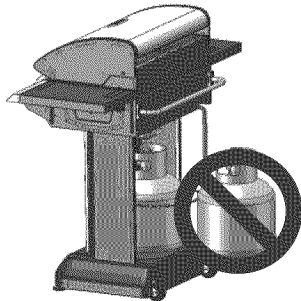
USO Y MANTENIMIENTO



PELIGRO



- **NO guarde botellas de propano líquido bajo el aparato, cerca de él o en áreas cerradas.**

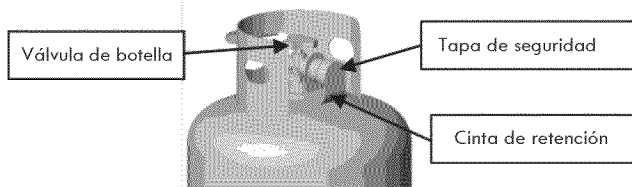


- **No llene una botella por encima del 80% de su capacidad.**
- **Si no cumple de forma estricta con las dos advertencias anteriores, podría sufrir lesiones graves o mortales.**
- **Una botella que se llena en exceso o no se almacena correctamente es un peligro debido a una posible salida de gases de la válvula de seguridad. Podría causar un incendio, con el consiguiente riesgo de daños materiales o lesiones, incluso mortales.**
- **Si ve, huele u oye un escape de gas, aléjese inmediatamente de la botella de propano líquido y del aparato y llame a los bomberos.**

Retirada, transporte y almacenaje de botellas de propano líquido

- Cierre todos los mandos de control y la válvula de la botella de propano líquido. Gire manualmente la tuerca de acoplamiento en la dirección opuesta a las agujas del reloj; no utilice herramientas para la desconexión. Levante la botella de propano líquido y sepárela de la barbacoa. Coloque la tapa de seguridad en la válvula de la botella de propano líquido. Utilice siempre la tapa y la cinta de retención que se incluye con la válvula.


Si no utiliza la tapa de seguridad de acuerdo con estas instrucciones, podría sufrir lesiones graves y/o causar daños materiales.



- Las botellas de propano líquido desconectadas durante el almacenaje o transporte deben tener instalada la tapa de seguridad. No guarde botellas de propano líquido en espacios cerrados como cocheras, garajes, porches, patios cubiertos, etc. No deje una botella de propano líquido en el interior de un vehículo expuesto a la luz solar directa.
- No guarde una botella de propano líquido en una zona donde puedan jugar niños.

Botella de propano líquido

La botella de propano líquido utilizada con su barbacoa debe cumplir los siguientes requisitos:

- Utilice sólo botellas de propano líquido con las medidas necesarias: 12" (30,5 cm) (diámetro) x 18" (45,7 cm) (altura) con 20 lb. (9 kg.) de capacidad máxima.
- Las botellas de propano líquido deben fabricarse y marcarse de acuerdo con las especificaciones para botellas de propano líquido del Departamento de Transportes de EE.UU. (DOT) o para Canadá, CAN/CSA-B339, botellas, esferas y tubos para el transporte de mercancías peligrosas. Transport Canada (TC). Consulte el marcado en el aro de la botella de propano líquido.
- La botella de propano líquido debe tener una
 - salida de Tipo 1 compatible con el regulador o la barbacoa.
 - Válvula de descarga de seguridad.
 - Dispositivo OPD (protección contra exceso de llenado) homologado por  Esta función de seguridad OPD se identifica con una rueda manual triangular única. **Utilice solamente botellas de propano líquido con este tipo de válvula.**
- La botella de propano líquido se colocará de modo que permita la eliminación de vapor e incluirá un aro de protección de la válvula de la botella. Mantenga la botella de propano líquido en posición vertical en todo momento, durante su utilización, transporte o almacenaje.



Botella de propano líquido en posición vertical para la eliminación de vapor

LP (Gas licuado de petróleo)

- El gas LP no es tóxico y es inodoro e incoloro cuando se produce. **Para su seguridad**, se incorpora al gas LP un olor (similar a la calabaza podrida) para que pueda olerse.
- El gas LP es altamente inflamable y puede inflamarse de forma inesperada en contacto con el aire.

Llenado de las botellas de propano líquido



- Utilice sólo distribuidores con licencia y experimentados.
- El distribuidor de propano líquido **debe purgar la botella nueva** antes de su llenado.
- El distribuidor **NUNCA** llenará una botella de propano líquido por encima del 80% del volumen de la botella. El volumen del propano en la botella variará según la temperatura.
- Un regulador muy frío indica un sobrellenado de gas. Cierre inmediatamente la válvula de la botella de propano líquido y póngase en contacto con su distribuidor de gas LP local para obtener asistencia.
- No deje salir gas de propano líquido (LP) a la atmósfera. Es peligroso.
- Para eliminar gas de la botella de propano líquido, póngase en contacto con un distribuidor de propano líquido o llame a los bomberos para solicitar ayuda. Busque en la guía telefónica bajo "Compañías de gas" los distribuidores de propano líquido certificados más cercanos.

Cambio de botella de propano líquido

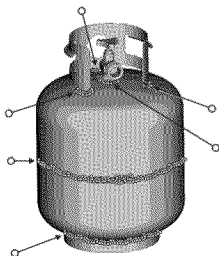
- Muchos minoristas que venden barbacoas ofrecen un servicio de recogida y venta de botellas de propano líquido. Utilice sólo empresas con buena reputación, que inspeccionen las botellas, y las llenen con precisión, las comprueben y dispongan de botellas certificadas. **Cambie su botella sólo por otra equipada con la función de seguridad OPD, según se describe en la sección "Botella de propano líquido" de este manual.**
- Mantenga las botellas de propano líquido nuevas y usadas en posición vertical durante su uso, transporte o almacenaje.
- Compruebe las posibles fugas de las botellas de propano líquido sustituidas y nuevas **ANTES de conectarlas a la barbacoa.**
- Cuando no utilice la botella, coloque la tapa de protección sobre la válvula. Utilice solamente el tipo de tapa de protección proporcionada con la válvula. Otro tipo de tapas o taponeros pueden provocar fugas de propano.

Prueba de fugas de botellas de propano líquido Para su seguridad

- Repita la prueba cada vez que sustituya o rellene la botella de propano líquido.
- No fume mientras realiza la prueba.
- No utilice una llama abierta para comprobar si hay fugas.
- La prueba se realizará al aire libre en una área con buena ventilación, alejada de fuentes inflamables, como aparatos de gas o eléctricos. Durante la prueba, mantenga la barbacoa alejada de llamas abiertas o chispas.
- Utilice un pincel limpio y una solución al 50% de jabón suave y agua. Aplique la solución jabonosa sobre las áreas indicadas con las flechas en la figura siguiente. La aparición de burbujas indica que hay fugas.

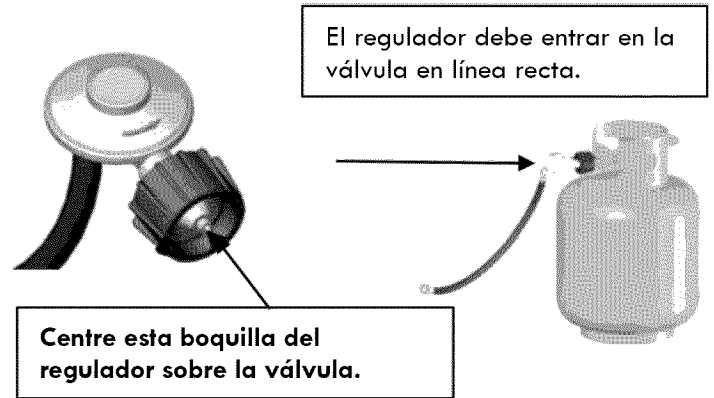
	ADVERTENCIA	
<p>Si aparecen burbujas, no utilice ni mueva la botella de propano líquido. Póngase en contacto con un distribuidor de gas LP o con los bomberos.</p>		

- ▲ **No utilice productos de limpieza domésticos.** Podrían dañar los componentes de la válvula de gas/la manguera/el regulador.

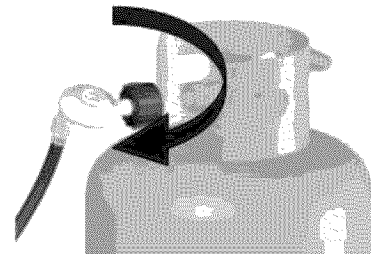


Conexión del regulador a la botella de propano líquido

1. Coloque la botella de propano líquido correctamente en la barbacoa. (Consulte la sección de montaje.)
2. Gire todos los mandos de control a la posición de apagado (OFF).
3. Cierre la botella de propano líquido girando la rueda OPD manual en la dirección de las agujas del reloj hasta el tope.
4. Retire la tapa de protección de la válvula de la botella de propano líquido. Utilice siempre la tapa y la cinta suministradas con la válvula.





5. Sujete el regulador e inserte la boquilla en la botella de propano líquido. Apriete manualmente la tuerca de acoplamiento, sujetando el regulador en línea recta con la válvula de la botella de propano líquido, de modo que no se fuerce la rosca de la conexión.
6. Gire la tuerca de acoplamiento en la dirección de las agujas del reloj y apriete hasta el tope. El regulador se unirá herméticamente a la válvula de la botella, por lo que se producirá cierta resistencia. **Es necesario girar media vuelta o tres cuartos de vuelta más para completar la conexión. Apriete manualmente, no utilice herramientas.**



NOTA:

Si no puede realizar la conexión, desconecte el regulador y repita los pasos 5 y 6. Si sigue sin poder completar la conexión, no utilice este regulador. Llame al teléfono 1-800-4-MY-HOME® para solicitar piezas de repuesto idénticas.

	PRECAUCIÓN	
<p>Deben utilizarse el regulador de presión y el ensamblaje de la manguera proporcionados con esta barbacoa de gas. Este regulador se ha ajustado para una presión de salida de columna de agua de 11 pulgadas. Los reguladores de presión de recambio y los ensamblajes de la manguera deben ser los especificados en la lista de piezas.</p>		



PELIGRO



- No introduzca ninguna herramienta u objetos extraños en la salida de la válvula o la válvula de descarga de seguridad. Podría dañar la válvula y causar una fuga. Las fugas de propano pueden causar explosiones y lesiones graves o mortales.
- Si detecta una fuga, PARE y llame a los bomberos.
- Si no puede detener una fuga de gas, cierre inmediatamente la válvula de la botella de propano líquido y llame a un distribuidor de gas LP o a los bomberos.



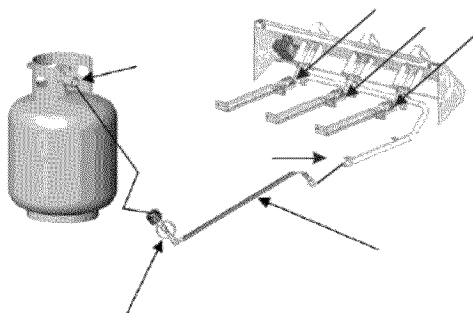
ADVERTENCIA



- No intente conectar esta barbacoa al sistema de gas LP autónomo de una caravana o casa móvil o cualquier fuente de propano no regulada.
- No utilice esta barbacoa hasta haber realizado la prueba de fugas.

Comprobación de fugas de válvulas, manguera y regulador

1. Ponga todos los controles de la barbacoa en apagado.
2. Asegúrese de que el regulador está correctamente conectado a la botella de propano líquido.
3. Abra completamente la válvula de la botella de propano líquido girando la rueda OPD en la dirección contraria a las agujas del reloj. Si escucha un sonido de escape de gas, apague el gas inmediatamente. Hay una fuga importante en la conexión. Haga las correcciones necesarias antes de proceder solicitando repuestos en 1-800-4-MY-HOME®.
4. Aplique la solución jabonosa sobre las áreas indicadas con las flechas en la figura siguiente.



5. Si aparecen burbujas "crecientes", hay una fuga. Cierre inmediatamente la válvula de la botella de propano líquido y vuelva a apretar las conexiones. Si no puede detener las fugas, no intente repararlas. Llame a Sears para solicitar repuestos en el teléfono 1-800-4-MY-HOME®.
6. Cierre siempre la válvula de la botella de propano líquido antes de realizar una prueba de fugas; para ello, gire la rueda en la dirección de las agujas del reloj.

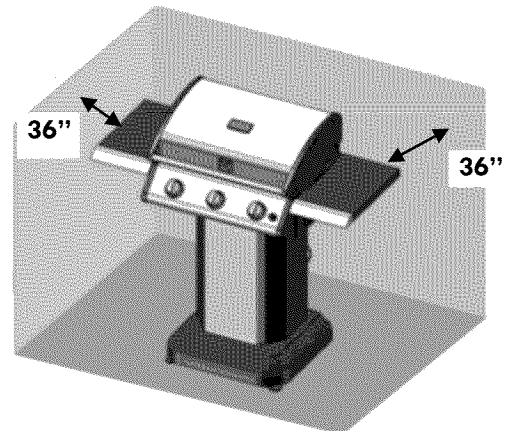


ADVERTENCIA



Para un uso seguro de la barbacoa y evitar lesiones graves:

- No permita que los niños utilicen la barbacoa ni jueguen cerca de ella. Mantenga a sus mascotas alejadas de la barbacoa.
- Mantenga el área de la barbacoa despejada de materiales que puedan arder.
- No bloquee los orificios de los laterales o la parte trasera de la barbacoa.
- Compruebe las llamas de los quemadores con regularidad.
- Utilice la barbacoa sólo en un lugar bien ventilado. NUNCA la utilice en espacios como cocheras, garajes, porches, patios cubiertos, o bajo una estructura por encima de la cabeza de cualquier tipo.
- No utilice carbón o briquetas cerámicas en esta barbacoa de gas.
- Mantenga la barbacoa a una distancia no inferior a 36 pulgadas (914b mm) de cualquier pared o superficie. Mantenga una distancia de 10 pies de objetos que puedan arder o fuentes inflamables, como indicadores luminosos de calentadores de agua, aparatos eléctricos con corriente, etc.



- NUNCA intente encender un quemador con la tapa cerrada. La acumulación de gas no inflamable en el interior de la barbacoa cerrada es peligrosa.
- No utilice la barbacoa con una botella de propano líquido que no esté en la posición correcta, según se especifica en las instrucciones de montaje.
- Cierre la válvula de la botella de propano líquido y retire la tuerca de acoplamiento antes de mover la botella desde su posición específica de funcionamiento.


Residentes de apartamentos

Consulte a la administración los requisitos y normativa contra incendios antes de utilizar la barbacoa de gas LP en su complejo. Si está permitida su utilización, úsela fuera de la planta baja con una distancia no inferior a tres (3) pies de las paredes o barandillas. No use el aparato en balcones o debajo de ellos.


Consejos de seguridad

- ▲ Antes de abrir la válvula de la botella de propano líquido, compruebe que la tuerca de acoplamiento se haya apretado correctamente.
- ▲ Antes de cada uso, compruebe la manguera, revisando que no presente abrasión, desgaste o cortes. Cambie la manguera dañada por la especificada en la lista de piezas antes de utilizar la barbacoa. Inspeccione el estado de la barbacoa desde la conexión de la botella de propano líquido hasta el conjunto del regulador de gas.
- ▲ Asegúrese de que la barbacoa esté colocada sobre una superficie nivelada y utilice los pies regulables (si así está equipada) para estabilizarla.
- ▲ Asegúrese de que las ruedas estén bloqueadas (si incorpora ruedas de este tipo).
- ▲ Mantenga el cable y la manguera de combustible alejados de fuentes de calor y agua.
- ▲ No se incline sobre la barbacoa ni toque los bordes del cuerpo ni la tapa mientras cocina.
- ▲ Cuando no esté utilizando la barbacoa, ponga todos los mandos en la posición de apagado y cierre la válvula de la botella de propano líquido.
- ▲ No mueva la barbacoa mientras esté en funcionamiento o todavía caliente.
- ▲ Utilice utensilios de barbacoa de mango largo y guantes para evitar quemaduras y salpicaduras.
- ▲ La carga máxima para el quemador lateral y el estante lateral es de 10 lb.
- ▲ La bandeja recogegrasa debe introducirse en la barbacoa y vaciarse después de cada uso. No retire la bandeja recogegrasa hasta que se haya enfriado completamente la barbacoa.
- ▲ Limpie la barbacoa con frecuencia, preferiblemente tras cada uso. Si utiliza un estropajo de acero para limpiar cualquiera de las superficies de cocción de la barbacoa, asegúrese de que no queden restos metálicos en las superficies antes de volver a utilizar la barbacoa.
- ▲ Si observa que la grasa o cualquier otro material caliente gotea sobre una válvula, manguera o regulador, cierre el gas inmediatamente. Determine la causa, corrija la y a continuación, limpie e inspeccione la válvula, la manguera y el regulador antes de continuar. Realice una prueba de fugas.
- ▲ Mantenga los orificios de ventilación del armario de la botella (carro de la barbacoa o armario) libres y sin suciedad.
- ▲ No guarde en el interior del carro de la barbacoa o el armario objetos o materiales que puedan bloquear la circulación del aire de combustión a la parte inferior del panel de control o el cuerpo, por ejemplo, la tapa.
- ▲ El regulador puede emitir un ruido o silbido durante el funcionamiento. Esto no afecta al funcionamiento o seguridad de la barbacoa.
- ▲ Si observa algún problema en la barbacoa, consulte la sección "Solución de problemas".
- ▲ Si el regulador se cubre de escarcha, apague la barbacoa y cierre la válvula de la botella de propano líquido inmediatamente. Indica un problema en la botella, que no deberá utilizarse. Devuélvala al

distribuidor.



PRECAUCIÓN

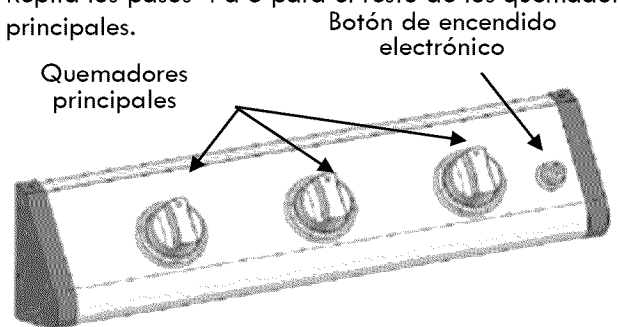


- No precaliente la barbacoa en HIGH (alto) con la tapa cerrada durante más de 15 minutos. El precalentamiento de la barbacoa con la tapa cerrada más allá de este punto puede producir temperaturas de cocción excesivas y riesgo de quemaduras.
- No se pueden apagar fuegos causados por grasa cerrando la tapa. Las barbacoas necesitan buena ventilación por razones de seguridad.
- No vierta agua sobre un fuego provocado por grasa. Podría sufrir lesiones. Si se produce este tipo de fuego, gire los mandos de control y desconecte la botella de propano líquido.
- No deje la barbacoa desatendida mientras se precalienta o con residuos de alimentos en posición HIGH (alta). Si la barbacoa no se limpia con regularidad, puede producirse fuego por grasa y dañar el producto.

Encendido del quemador principal

▲ No deje la barbacoa desatendida durante el encendido.

1. Cierre las válvulas de control de los quemadores de gas.
2. Abra la fuente de gas o la botella lentamente.
3. Abra la tapa mientras la enciende.
4. Para encender cualquiera de los quemadores principales, gire el mando de control del quemador principal a la posición \neq Hi. Pulse inmediatamente el botón de encendido electrónico de 3 a 5 segundos. Deberá escuchar un sonido de clic que muestra que el encendedor electrónico está funcionando.
5. Una vez encendido el quemador, gire el mando al ajuste de calor deseado.
6. Si no se enciende en 5 segundos, gire el mando del quemador a la posición de apagado (OFF), espere 5 minutos y repita el procedimiento de encendido.
7. Repita los pasos 4 a 6 para el resto de los quemadores principales.



ADVERTENCIA

Ponga los mandos y la fuente o botella de gas en apagado (OFF) cuando no esté utilizando la barbacoa.

PRECAUCIÓN

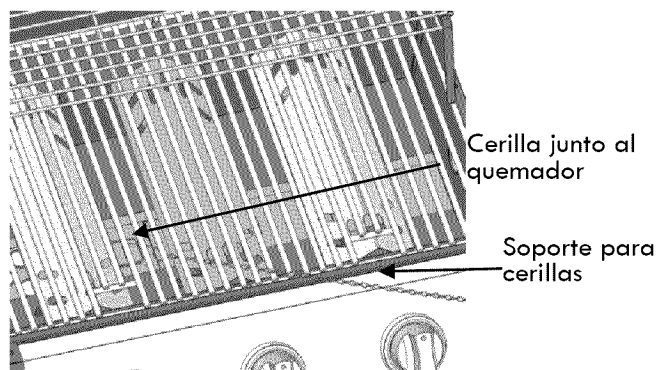
Si **NO** se enciende en 5 segundos, gire los mandos del quemador hasta la posición de apagado (OFF), espere 5 minutos y repita el procedimiento de encendido. Si el quemador no se enciende con la válvula abierta, seguirá saliendo gas del quemador y podría encenderse accidentalmente, con el consiguiente riesgo de lesiones.

Encendido con cerillas

- ▲ **No deje la barbacoa desatendida durante el encendido.**
- ▲ **Abra la tapa.** Encienda lentamente el gas de la botella de propano líquido.
- ▲ **Encienda los quemadores uno a uno.**

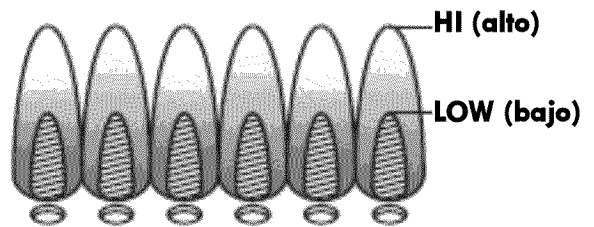
Encendido con cerillas de los quemadores principales

1. Coloque la cerilla en el soporte (colgado del lado derecho del cuerpo de la barbacoa).
2. Encienda la cerilla y pásela a través de los difusores, manteniéndola junto al quemador.
3. Apriete y gire el mando del quemador a la posición \neq Hi. Mantenga pulsado el mando de control hasta que se encienda el quemador o hasta 5 segundos.
4. Si **NO** se enciende en 5 segundos, gire el mando del quemador a la posición de apagado (OFF), espere 5 minutos y repita el procedimiento de encendido.



Comprobación de la llama del quemador

- Quite las parrillas de cocinar y los difusores de calor. Encienda los quemadores y gire los mandos de Hi a Low. Verá una llama más pequeña en la posición Low comparada con la posición Hi. Realice también una comprobación de llama en el quemador lateral (si está equipado). Realice una comprobación de llama antes de cada uso. Si sólo se ve una llama baja, consulte "Caída repentina de la llama o llama baja" en la sección de solución de problemas.



Apagado de la barbacoa

- Ponga todos los mandos en APAGADO (OFF). CIERRE la botella de propano líquido girando la rueda manual en la dirección de las agujas del reloj hasta el tope.

Comprobación del encendido

- **Cierre el gas de la botella de propano líquido.** Mantenga pulsado el botón de encendido electrónico. Oirá un clic y se verá una chispa entre el electrodo y el quemador. En caso contrario, consulte "Solución de problemas".

Pilas

- Las pilas se deterioran con el tiempo, especialmente al aire libre. Esto puede provocar fugas en sus carcasas. Revise el estado de la pila periódicamente antes de utilizar la barbacoa. Quite la pila del encendedor electrónico cuando guarde la barbacoa.

Comprobación de válvulas

- **Importante: Asegúrese de que el suministro de propano líquido esté cerrado antes de comprobar las válvulas.** Ponga el mando en la posición de APAGADO. Para comprobar las válvulas, en primer lugar, presione los mandos y suelte. Los mandos volverán a su posición. En caso contrario, sustituya el conjunto de la válvula antes de utilizar la barbacoa. Ponga los mandos en la posición Low y vuelva ponerlos en la posición de APAGADO. Las válvulas deberán girar suavemente.

Comprobación de mangueras

- Antes de cada uso, compruebe que las mangueras no estén cortadas o desgastadas. Sustituya las mangueras desgastadas antes de utilizar la barbacoa. Utilice sólo repuestos de válvulas / mangueras / reguladores idénticos, según se especifica en la lista de piezas de esta Guía de Usuario y Mantenimiento.

Limpieza general de la barbacoa

- **Interior de la tapa:** Utilice una solución fuerte de detergente y agua o un limpiador de barbacoas con un cepillo. Aclare y deje secar. **No aplique un limpiador de barbacoas / hornos cáustico a las superficies pintadas.**
- **Partes de plástico:** Lávelas con agua tibia y jabón, y séquelas.
 - ▲ No utilice citrisol, limpiadores abrasivos, desengrasadores o limpiadores de barbacoas concentrados sobre las partes de plástico. Podrían dañarse.
- **Superficies de porcelana:** Debido a su composición similar al vidrio, la mayor parte de los residuos se pueden limpiar con una solución de bicarbonato sódico / agua o un limpiador específico. Utilice polvo limpiador no abrasivo para las manchas resistentes.
- **Superficies pintadas:** Lávelas con detergente suave o un limpiador no abrasivo y agua jabonosa templada. Seque con un trapo suave no abrasivo.

- **Superficies de acero inoxidable:** Para mantener el aspecto de alta calidad de la barbacoa, lávelas con un detergente suave y agua jabonosa templada y seque con un trapo suave después de cada uso. Los depósitos de grasa pueden requerir el uso de un estropajo **plástico** no abrasivo. Utilícelo sólo en la dirección del acabado pulido para evitar daños. No utilice estropajos abrasivos en las áreas con gráficos.
 - No permita que se acumulen la suciedad y la grasa sobre el acero inoxidable.
 - No utilice estropajos de acero, dañarán la superficie.
 - Muchos productos y sustancias naturales al aire libre dañarán los acabados de acero inoxidable. Evite que entren en contacto con la barbacoa. Entre ellos, se incluyen los productos químicos de piscinas (cloro y bromo), los fertilizantes para el césped, las sales para derretir el hielo o el agua salada, la orina, las heces de pájaros y la savia de los árboles.
 - **Guarde su barbacoa a una distancia de la piscina de 50 a 100 metros, ya que muchos productos químicos de la piscina pueden provocar óxido.**
- **Superficies de cocción:** Limpie las superficies de cocción con un cepillo suave. Asegúrese de que no queden restos del cepillo sobre las superficies de cocción antes de utilizar la barbacoa. No se recomienda limpiar la superficie de cocción con la barbacoa caliente.

Aviso sobre arañas

ARAÑAS Y TELAS DE ARAÑA EN EL INTERIOR DEL TUBO DEL QUEMADOR



Si observa dificultades para encender la barbacoa o que la llama no tiene la fuerza suficiente, compruebe y limpie los tubos de los quemadores.

Se sabe que las arañas o pequeños insectos puede crear este tipo de problemas. Las arañas ponen sus telas, construyen nidos y dejan huevos en el tubo o tubos de los quemadores de la barbacoa, de modo que obstruyen el paso del gas al quemador. El gas que no puede fluir podría arder en el tubo del quemador detrás del panel de control. Se conoce como "flashback" y puede dañar la barbacoa o, incluso, causarle lesiones.

Para evitar que esto ocurra y garantizar un correcto funcionamiento, suelte el quemador y el tubo del quemador y límpielos antes de usarlos, si la barbacoa no se utilizado durante un periodo de tiempo prolongado.

Limpieza del conjunto del quemador

Siga estas instrucciones para limpiar o cambiar piezas del conjunto de un quemador o si tiene problemas para encender la barbacoa.

1. Cierre el paso de gas de los mandos de control y la botella de propano líquido.
2. Quite las parrillas de cocinar y los difusores de calor.
3. Quite los tornillos de cabeza Phillips situados en el extremo trasero de cada quemador.
4. Levante los quemadores y suéltelos. Desenchufe el encendedor electrónico del electrodo.

Recomendamos tres formas de limpieza de los tubos de los quemadores. Utilice la que le resulte más sencilla.

(A) Doble un cable rígido (servirá una percha de ropa ligera) formando un pequeño gancho. Pase el gancho por cada tubo varias veces.

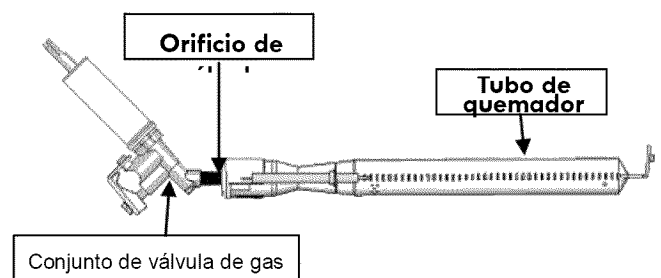


(B) Utilice un cepillo estrecho para botellas con asa flexible (no utilice un cepillo metálico). Pase el cepillo por cada tubo varias veces.

(C) **Proteja sus ojos.** Utilice una manguera de aire para introducir aire en el tubo del quemador y que salga por los orificios del quemador. Compruebe que el aire sale correctamente por cada uno de los orificios.

5. Con un cepillo metálico, limpie la superficie exterior del quemador para eliminar residuos de alimentos y suciedad.
6. Limpie los orificios obstruidos con un cable rígido, por ejemplo un clip sujetapapeles abierto.
7. Compruebe que el quemador no está dañado. Debido al desgaste y la corrosión normales, puede haber aumentado el tamaño de algunos orificios. Cambie el quemador si observa alguna grieta u orificio de gran tamaño.

MUY IMPORTANTE: Los tubos de los quemadores deberán volver a colocarse en la aberturas (orificios) de las válvulas. Consulte la ilustración siguiente.



8. Conecte los cables del encendedor electrónico a los electrodos del quemador.
9. Coloque cuidadosamente los tubos de los quemadores, asegurándose de que el extremo del tubo se asiente en la válvula de gas, según se muestra en la figura anterior.
10. Sujete los quemadores a la parte trasera del cuerpo con los tornillos de cabeza Phillips.
11. Realice una comprobación de fugas, como se ha explicado anteriormente, antes de utilizar la barbacoa.

Guardar la barbacoa

- Limpie las parrillas.
- Guárdela en un lugar seco.
- Retire la pila del encendido electrónico.
- Si la botella de propano líquido está conectada a la barbacoa, deberá guardarse al aire libre en un espacio con buena ventilación y fuera del alcance de los niños.
- Puede guardar la barbacoa en el interior **SÓLO** si la botella de propano líquido está cerrada, desconectada y retirada de la barbacoa. La botella de propano líquido debe dejarse al aire libre.
- Tape la barbacoa. Puede elegir entre una amplia variedad de tapas ofrecidas por los fabricantes.
- Cuando desee volver a utilizar la barbacoa, siga las instrucciones de "Limpieza del conjunto de quemadores" antes de usarla.

Seguridad de los alimentos

La seguridad de los alimentos es muy importante para disfrutar de la cocina al aire libre. Para evitar las bacterias peligrosas, siga estos cuatro pasos básicos:

Limpiar: lávese las manos, limpie los utensilios y las superficies con agua jabonosa caliente antes y después de manipular carne y aves crudas.

Separar: separe las carnes y aves crudas de los alimentos preparados para evitar la contaminación cruzada. Utilice una fuente y utensilios limpios para retirar los alimentos cocinados.

Cocinar: cocine bien la carne y las aves para matar las bacterias.

Utilice un termómetro para garantizar las temperaturas internas adecuadas de los alimentos.

Refrigerar: refrigere los alimentos preparados y los alimentos restantes ya cocinados lo antes posible.

Para obtener más información, llame a: Línea telefónica gratuita de USDA para carnes y aves 1-800-535-4555 (10:00 am – 4:00 pm EST).

Cómo saber si la carne se ha cocinado correctamente

- Las carnes y aves cocinadas en una barbacoa tienden a dorarse rápidamente en el exterior. Utilice un termómetro para carne para comprobar que los alimentos han alcanzado una temperatura interna adecuada.
- **NUNCA** cocine parcialmente la carne o aves para acabar su cocinado más tarde. Cocine los alimentos completamente.

Temperaturas internas mínimas seguras recomendadas por el USDA*	
• Vacuno, ternera, cordero, cerdo (piezas enteras)**	145 °F
• Pescado	145 °F
• Vacuno, ternera, cordero, cerdo (carne picada)	160 °F
• Platos de huevos	160 °F
• Pavo, pollo, pato (enteros, piezas y carne picada)	165 °F

* Departamento de Agricultura de Estados Unidos

**Deje reposar la carne tres minutos antes de cortarla o consumirla.

Consejos y trucos para la cocina con barbacoa

Los alimentos cocinados en la barbacoa se preparan utilizando la cocción directa e indirecta. La cocción directa consiste en preparar directamente la comida sobre los quemadores encendidos. Los alimentos se colocan entre los quemadores encendidos para una cocción indirecta.

Directa: utilice la cocción directa para asar carne. Esto ayuda a mantener la humedad de los alimentos conservando sus jugos. Algunos alimentos, como los filetes, se asan primero con cocción directa y después se terminan de preparar con la cocción indirecta. Por lo general, este método se utiliza para alimentos de preparación más rápida. Permanezca atento cuando cocine con este método, porque es fácil que se quemen los alimentos.

Indirecta: se utiliza para alimentos que tardan más en cocinarse, incluidas las piezas grandes de carne como los asados. También se utiliza para cocinar alimentos más delicados que se secan rápidamente, como el pescado y la carne de ave, la comida más grasienta para reducir las llamas y al cocinar utilizando una sartén de asado o papel de aluminio. Después, cambie a la configuración media o baja dependiendo de la temperatura que desee mantener. No coloque los alimentos directamente sobre un quemador cuando utilice este método de cocción. También puede cocinar indirectamente apagando uno o más quemadores y colocando los alimentos sobre los quemadores que no se estén utilizando.

- "Precaliente" siempre la barbacoa antes de cocinar. Ponga los mandos de control de los quemadores en la posición Hi y cierre la tapa entre 5 y 10 minutos. Después, ajuste los mandos de control del quemador a la temperatura adecuada. Se calientan las parrillas para evitar que los alimentos se peguen.
- El termómetro mide la temperatura alta en la tapa. La temperatura debajo de las parrillas es más alta.
- La naturaleza puede afectar a los tiempos de cocinado. Deje más tiempo en condiciones de más frío, viento o altitud. Le recomendamos que coloque la barbacoa en una zona protegida del viento.
- Retire el exceso de grasa de la carne para reducir las llamas altas.
- Coloque las piezas de tamaños similares juntas para que se cocinen de manera uniforme.
- Las piezas de carne más grandes pueden necesitar más tiempo de cocción que las piezas de carne más pequeñas.
- Si hay una llama muy grande o demasiadas llamas, apague el gas, aparte la comida de la llama y cierre la tapa. Vuelva a encender la barbacoa cuando la llama se haya apagado. Utilice una temperatura más baja para reducir las llamas grandes.
- Dé la vuelta a los alimentos con poca frecuencia. Utilice pinzas de barbacoa en lugar de tenedores mientras el alimento esté en la barbacoa.
- Conozca su salsa y cuando ponerla. Las salsas con aceite y vinagre se pueden aplicar en cualquier momento. Las salsas con base de azúcar, como la salsa barbacoa, solamente se puede aplicar en los últimos minutos de cocción.
- Utilice una pequeña cantidad de aceite en las parrillas antes de calentarlas, para evitar que los alimentos se peguen.

Lista de piezas incluidas



A

Tornillo de cabeza Phillips M6x10mm

Cant.: 11 unid.

Nº de pieza: MCDKY18000



B

Tornillo de cabeza plana M6x25mm

Cant.: 4 unid.

Nº de pieza: MCDKY15000



C

Tornillo escalonado M6

Cant.: 4 unid.

Nº de pieza: MCDKY16000



D

Tornillo de cabeza plana M6x12mm

Cant.: 8 unid.

Nº de pieza: MCDKY17000

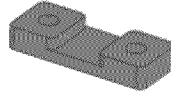


E

Tornillo de cabeza de arandela M4x10mm

Cant.: 9 unid.

Nº de pieza: MCDKY19000

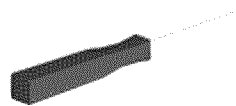


F

Protector contra el calor del asa de transporte de la barbacoa

Cant.: 2 unid.

Nº de pieza: FP0027



G

Destornillador Phillips

Cant.: 1 unid.

Nº de pieza: MCDKY20000



H

Pila de tamaño AA

Cant.: 1 unid.



I

Gancho de la cadena de soporte de la botella de propano

Cant.: 1 unid.

Nº de pieza: S4061-000B-001



J

Cadena de sujeción de la botella de propano

Cant.: 1 unid.

Nº de pieza: SE0232-001

Lista de piezas

Clave	Cant.	Nº de pieza	Descripción
A1	1	HCDLCVA038	Tapa
A2	2	*ASMA0014-03	Tornillo de la tapa
A3	1	MCDKCVW000	Termómetro
B1	1	HCDLBDA148	Cuerpo del hogar
B2	1	SC0096	Conjunto de regulador de gas
B3	2	S7007-026D-018	Soporte de estante derecha-frontendal / izquierda-parte trasera
B4	2	S7007-026D-017	Soporte de estante izquierda-frontendal / derecha-parte trasera
B5	1	S1036-026D-016	Soporte izquierdo del panel de control
B6	1	MCDKADD000	Conjunto de regulador y manguera
B7	1	S1036-026D-017	Soporte derecho del panel de control
B8	3	SD0050-A	Quemador "I"
B9	1	*ASMB0084-02	Panel de protección trasero del cuerpo
B10	1	HCDLFIC038	Panel de control
B11	3	PLABS0090-001	Mando de control
B12	3	FA0121-001	Apoyo del mando de control
B13	1	SE0282-001	Stick de encendedor manual
B14	2	FPO027	Protector contra el calor del asa de transporte de la barbacoa
B15	1	MCDLBDD000	Asa de transporte de la barbacoa
B16	1	SE0280-012	Rejilla para calentar
B17	2	SE0281-012	Parrilla para cocinar
B18	3	S1007-012E-015	Difusor de calor
B19	1	S1017-026D-012	Panel de protección trasero del cuerpo
B20	1	MCCCYPD125	Recipiente recoge grasas
B21	1	MCDKYPB000	Soporte para el recipiente recoge grasas
B22	4	FE0025M	Capota protectora
B23	3	SE9009	Electrodo
B24	1	SE9012	Encendedor eléctrico
B25	1	SE0131B	Botón del encendedor electrónico
B26	2	*ASMB0081-06	Soporte del conjunto de cuerpo
B27	1	*ASMB0084-04	Conjunto de cables de encendedor electrónico
C1	1	HCDKFRK05N	Panel lateral derecho del armario
C2	1	HCDKFRJ048	Panel lateral izquierdo armario
C3	1	MCDKFRLO25	Panel frontal del armario

Lista de piezas

Clave	Cant.	Nº de pieza	Descripción
C4	1	HCDLCVA038	Base inferior del armario
C5	2	*ASMA0014-03	Rueda
C6	2	MCDKCVW000	Pie ajustable
C7	1	HCDLBDA148	Cadena de sujeción de la botella de propano
C8	1	SC0096	Cadena de sujeción de la botella de propano
C9	1	S7007-026D-018	Soporte de regulador de gas
C10	1	S7007-026D-017	Soporte de botella de propano
C11	1	S1036-026D-016	Cadena de soporte de manguera de regulador
D1	1	MCDKADD000	Conjunto de estante izquierdo
D2	1	S1036-026D-017	Conjunto de estante derecho
D3	1	SD0050-A	Panel de control izquierdo del estante
D4	1	*ASMB0084-02	Panel de control derecho del estante

No mostrado en la imagen

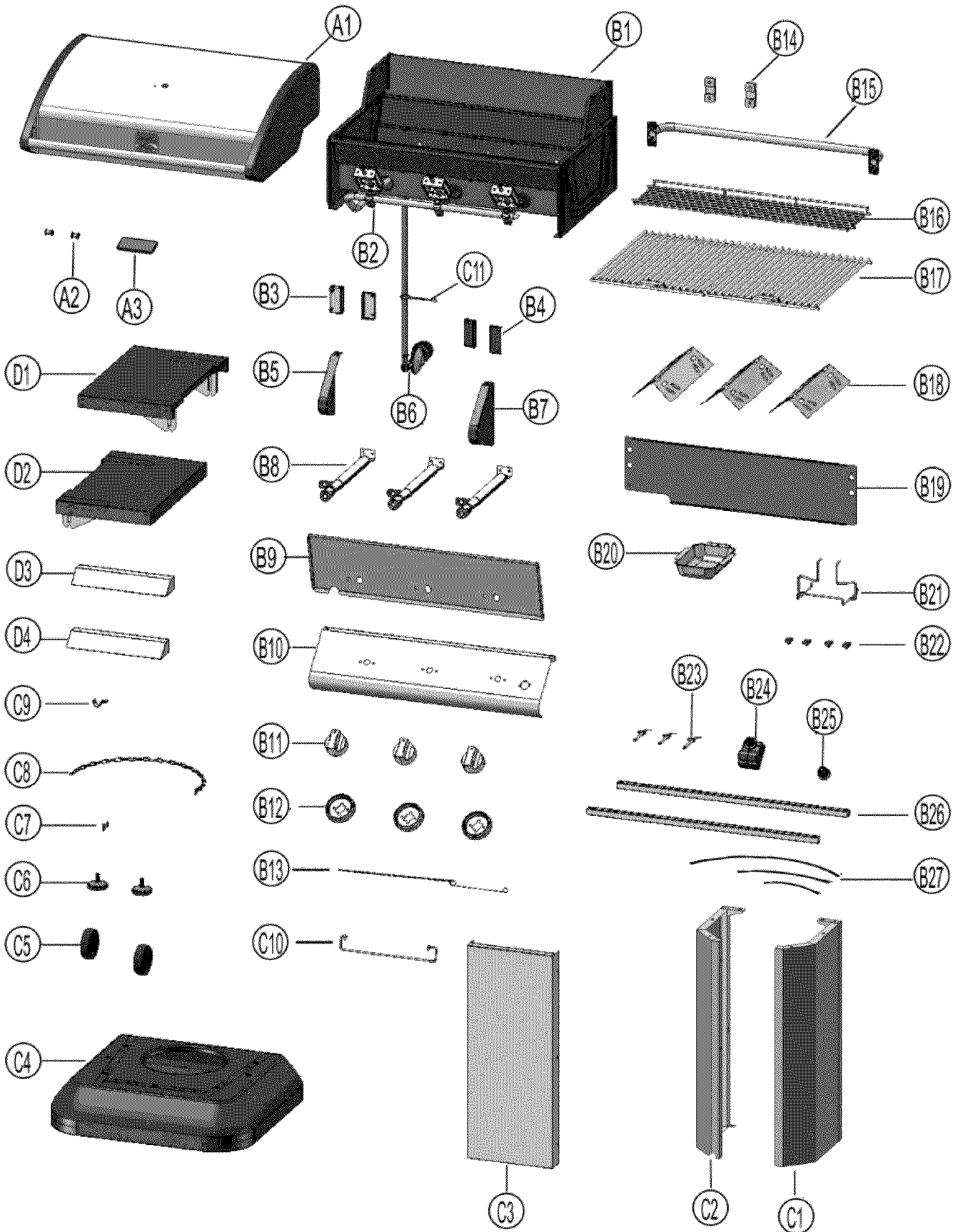
N/D	1	PCDKPA1000	PCDKPA1000	Piezas de ferretería
N/D	1	MCDLPTM000	MCDKPTV000	Manual

Si observa que falta alguna pieza o hay algún componente dañado en el momento de desembalar la barbacoa, llame al 1-800-933-0527 para solicitar su cambio.

Para conseguir piezas de repuesto una vez utilizada la barbacoa, llame al 1-800-4-MY-HOME®.

Para el instalador / montador: Entregue estas instrucciones al consumidor.
Para el consumidor: Guarde este manual, de modo que pueda consultarlo en el futuro.

PRECAUCIÓN: Algunas partes pueden tener bordes afilados. Si es necesario, utilice guantes para el montaje y la limpieza de la barbacoa.



Instrucciones de montaje

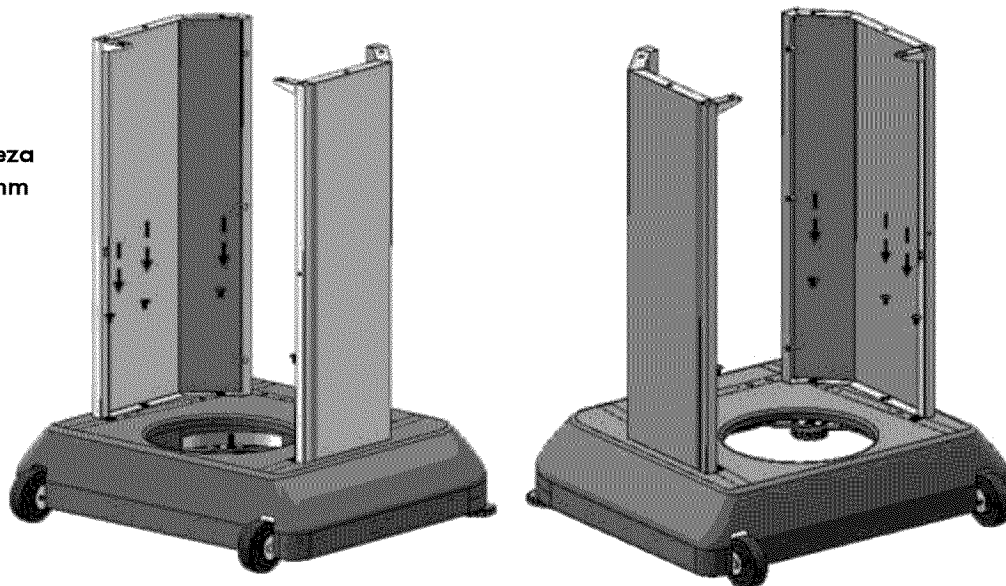
1

Instale el panel izquierdo y el derecho del armario

- Fije los paneles izquierdo y derecho a la base del armario mediante 6 tornillos de cabeza Phillips (M6x10mm). No los apriete completamente.



Tornillo de cabeza Phillips M6x10mm
Cant.: 6



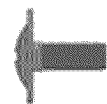
2

Instale el panel frontal del armario y el soporte de la botella de gas propano líquido

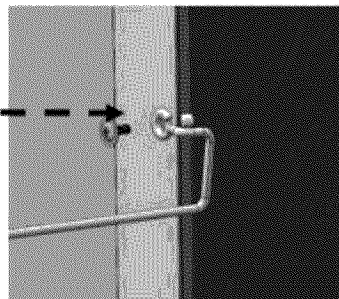
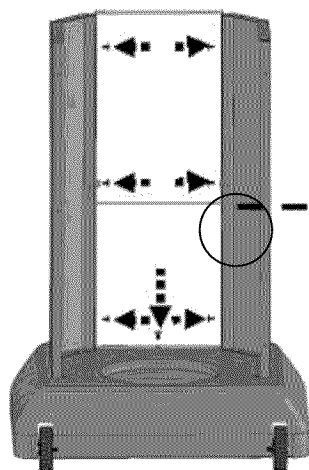
- Fije el panel frontal del armario a los paneles izquierdo y derecho del mismo mediante 4 tornillos de cabeza de arandela (M4x10mm) en los orificios superiores e inferiores. Coloque el panel frontal de modo que el extremo con orificio central se alinee con el orificio de la parte inferior de la base del armario.
- Fije el panel frontal al panel inferior del armario mediante 1 tornillo de cabeza Phillips (M6x10mm).
- Asegúrese de que el armario quede encuadrado y apriete todos los tornillos.
- Una el soporte de la botella de propano líquido al panel frontal del armario con 2 tornillos de cabeza de arandela (M4x10mm) en los orificios centrales, según se muestra.



Cabeza Phillips
Tornillo M6x10mm
Cant.: 1



Cabeza de arandela
Tornillo M4x10mm
Cant.: 6

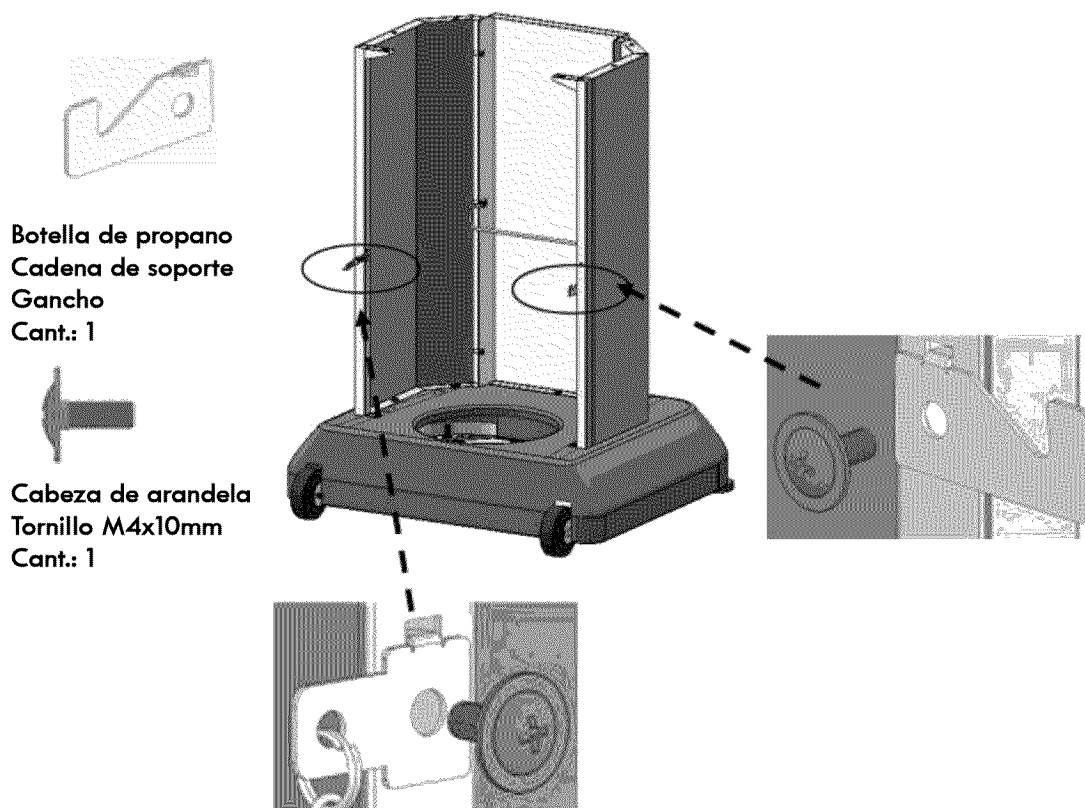


Soporte de botella de propano
Cant.: 1

3

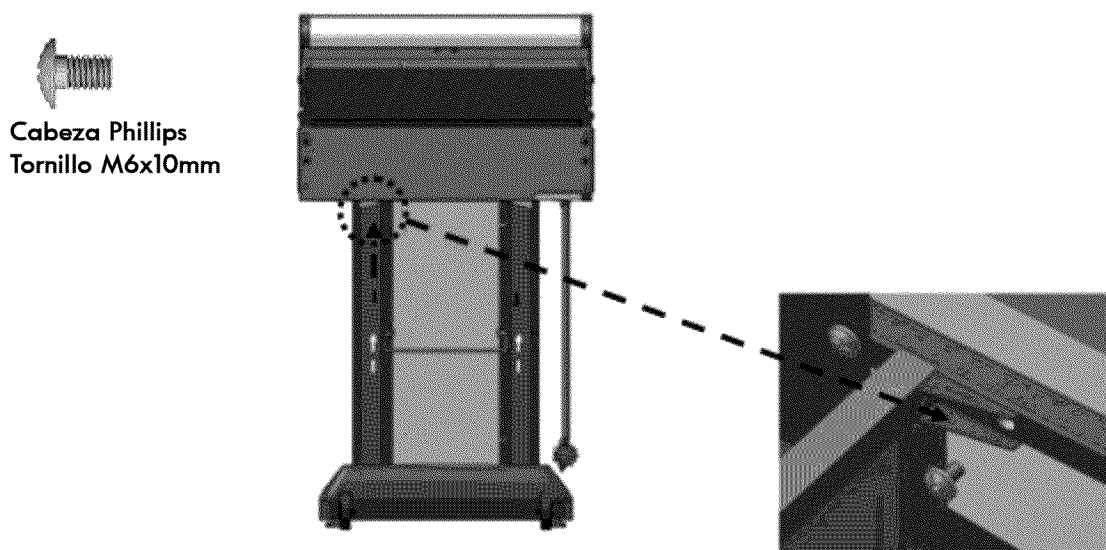
Coloque la cadena del soporte de la botella de propano y el gancho de la cadena.

- Fije la cadena del soporte de la botella de propano al panel del lado izquierdo del armario con un tornillo de cabeza de arandela (M4x10mm).
- Fije el gancho de la cadena del soporte de la botella de propano al panel del lado derecho del armario con un tornillo de cabeza de arandela (M4x10mm).

**4**

Instale la tapa y el cuerpo

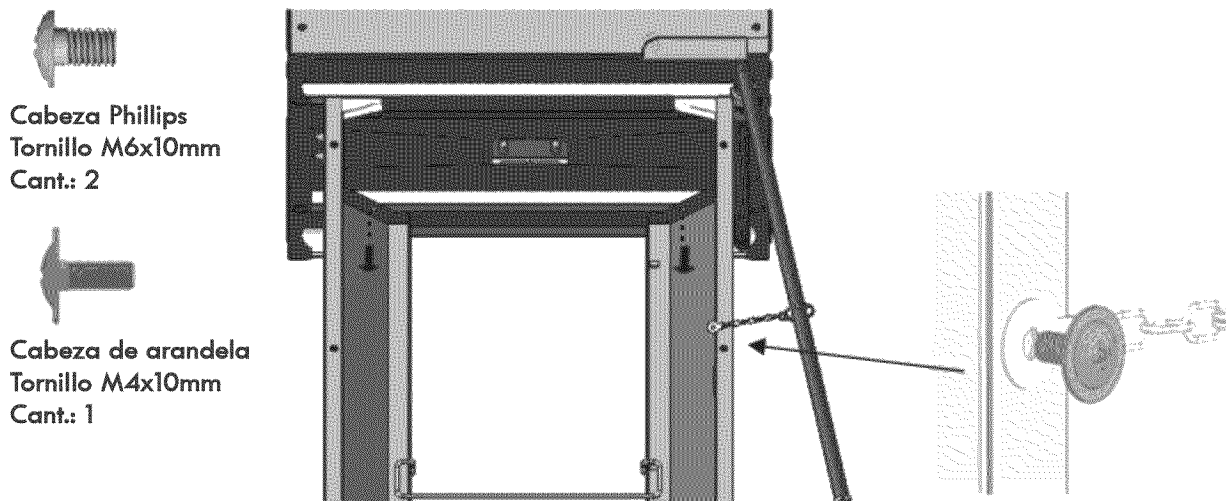
- Suelte el regulador y la manguera de la parte inferior de la tapa y del cuerpo. Retire el embalaje de alrededor del regulador.
- Con la ayuda de otra persona, coloque la tapa y el cuerpo en el armario. Coloque el cuerpo en la parte trasera de los paneles laterales del armario con 3 tornillos de cabeza Phillips (M6x10mm).



5

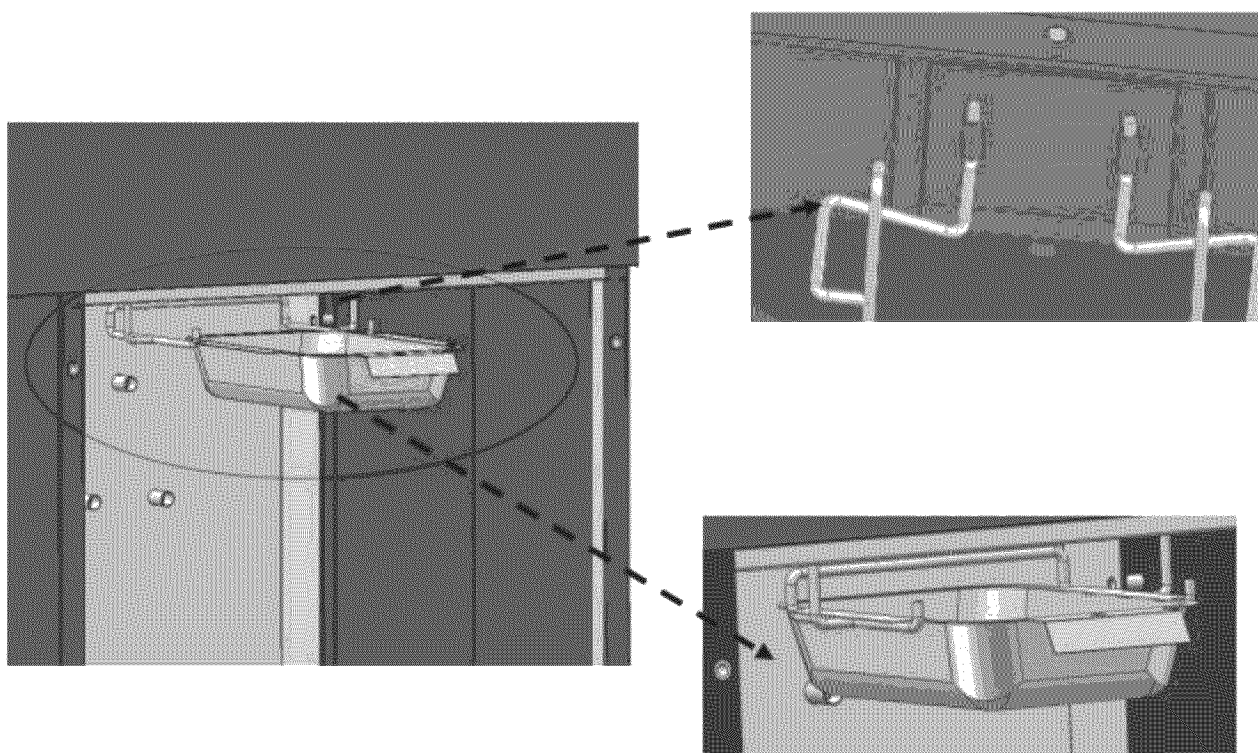
Coloque la tapa y el cuerpo en el armario e instale la cadena de soporte de la manguera del regulador

- Fije la tapa y el cuerpo a la parte frontal de los paneles laterales del armario mediante 2 tornillos de cabeza Phillips (M6x10mm).
- Coloque la cadena de soporte de la manguera del regulador (situada en la manguera del regulador) en la parte trasera del panel lateral del armario con 1 tornillo de cabeza de arandela (M4x10mm).

**6**

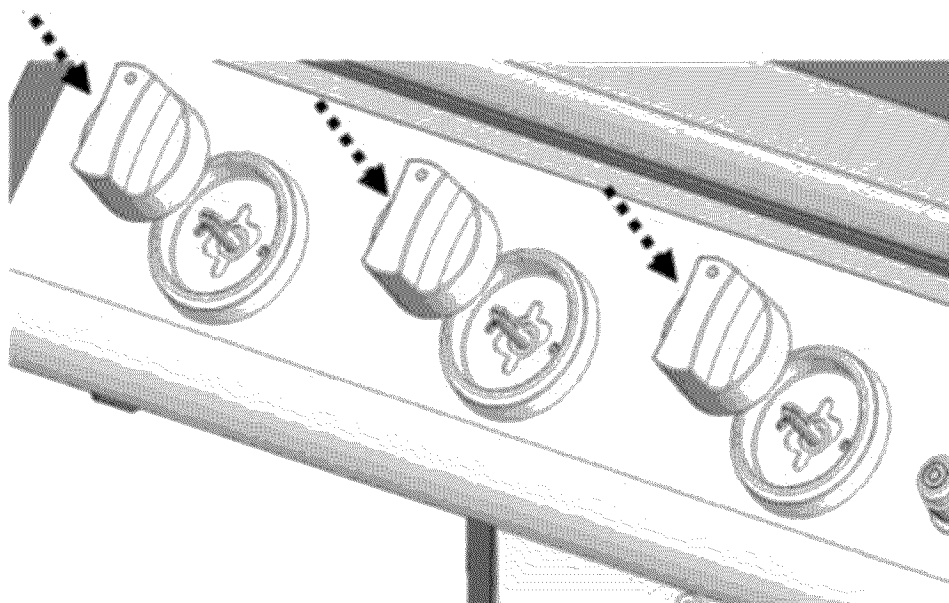
Instale el soporte y el recipiente recoge grasas

- Introduzca el soporte del recipiente recoge grasas en la parte inferior del cuerpo.
- Introduzca el recipiente recoge grasas en el soporte al efecto, tal y como se muestra en la figura.



7**Instale los mandos de control**

- Presione los dos mandos de control sobre los pies de las válvulas tal y como se muestra.

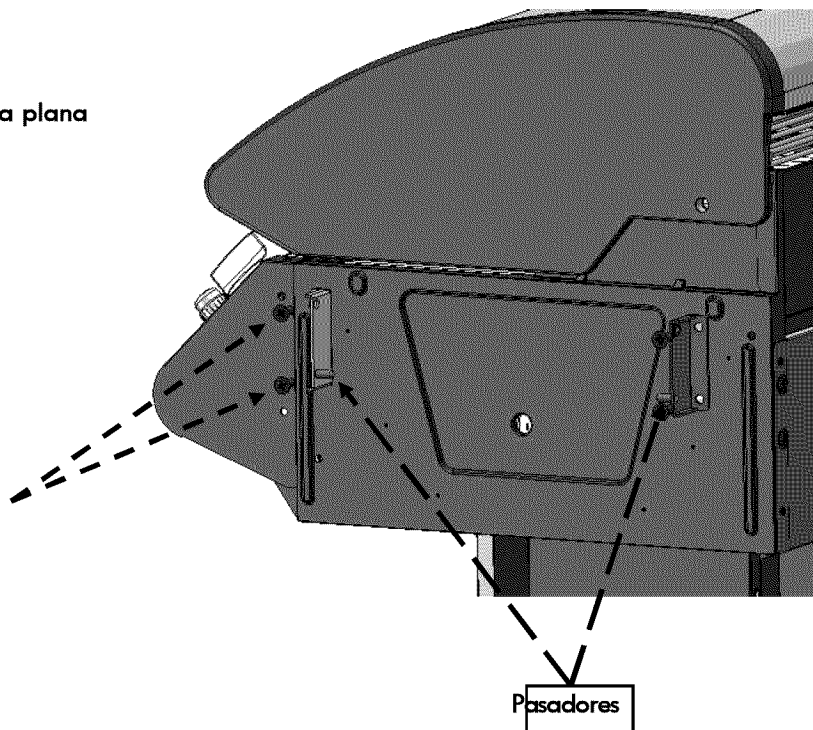
**8****Instale los soportes del estante lateral en el cuerpo**

- Coloque los soportes delantero y trasero del estante derecho en el conjunto del cuerpo con 4 tornillos de cabeza plana (M6x12mm).
- Repita el mismo procedimiento para montar los soportes delantero y trasero del estante izquierdo en el conjunto del cuerpo.

Nota: Coloque los soportes de modo que los pasadores queden en la parte inferior de los soportes y se extiendan hacia el centro del cuerpo.



Tornillo de cabeza plana
M6x12mm
Cant.: 8

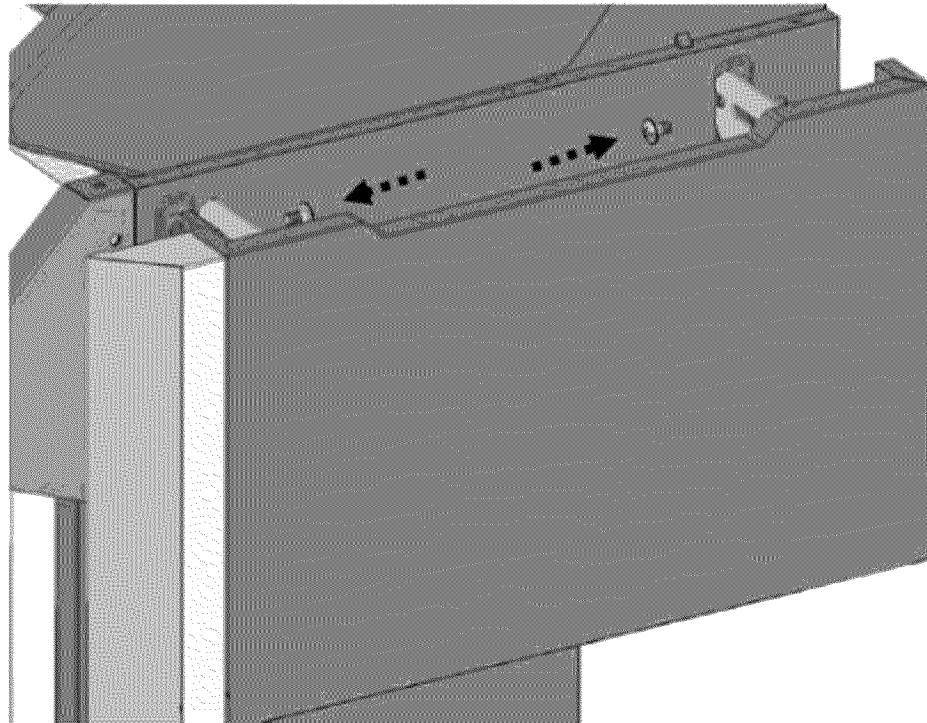


9**Monte los estantes laterales**

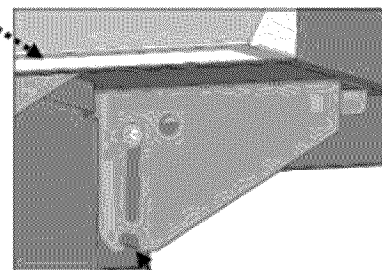
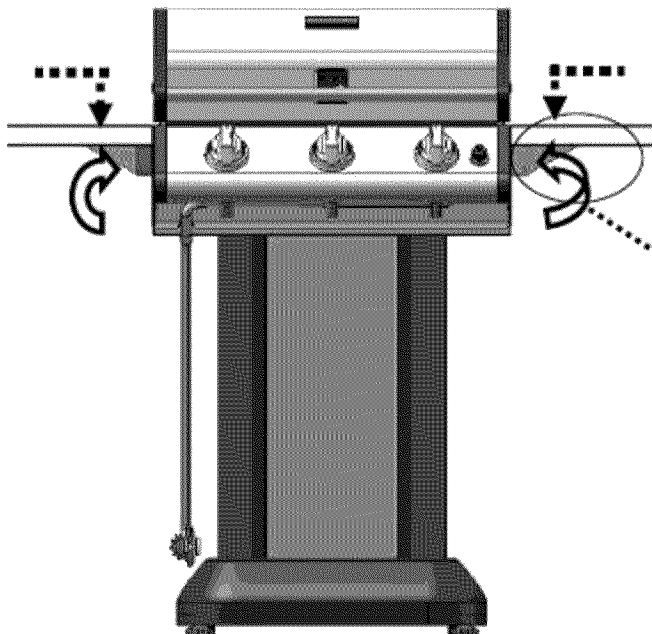
- Coloque los estantes laterales hacia el interior de los soportes en la posición de almacenaje de la barbacoa.
- Fije los estantes izquierdo y derecho a los soportes de los estantes con 2 tornillos escalonados (M6) cada uno. Apriete con fuerza.



Tornillo escalonado M6
Cant.: 4

**10****Funcionamiento del estante lateral**

- Tire hacia arriba del estante lateral izquierdo y deslícelo hacia abajo sobre los pasadores en posición recta. Para bajarlos, deslice los estantes hacia arriba y pliéguelos en posición de almacenamiento.



Pasador

11

Instale los difusores de calor, las parrillas para cocinar y las rejillas para calentar

- Introduzca los difusores de calor en el cuerpo colocándolos en las hendiduras a lo largo de la parte delantera y trasera del cuerpo. Ver figura 1.
- Coloque las parrillas en el cuerpo con los orificios para los dedos en la parte frontal de la parrilla. Ver figura 2.
- Introduzca la rejilla para calentar en las ranuras de los paneles laterales del cuerpo, como se muestra. Ver figura 3.

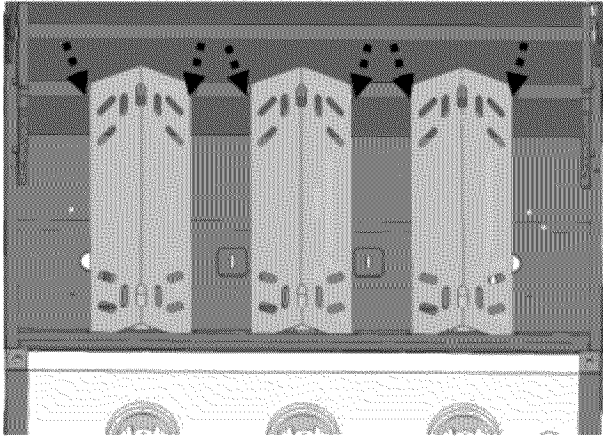


Figura 1

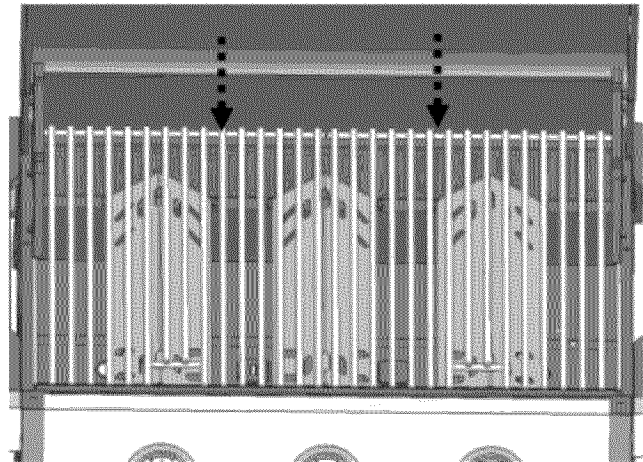


Figura 2

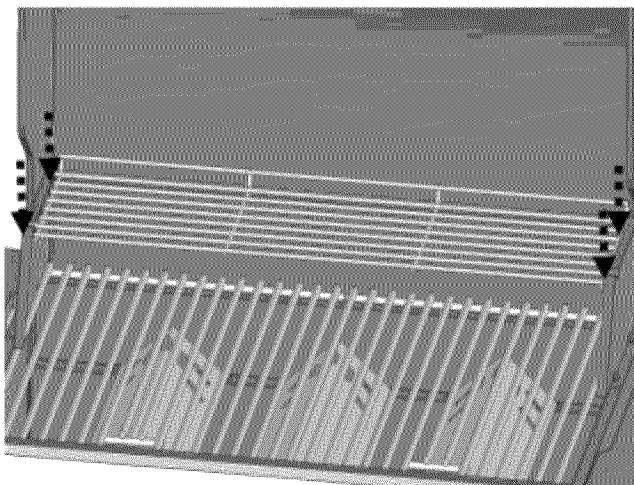
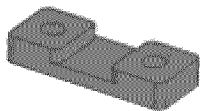


Figura 3

12

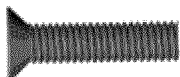
Instale el asa de transporte de la barbacoa

- Fije el asa de transporte y los 2 protectores de calor del asa a la parte trasera del cuerpo mediante 4 tornillos de cabeza plana (M6x25mm).



Asa de transporte
Protectores de calor

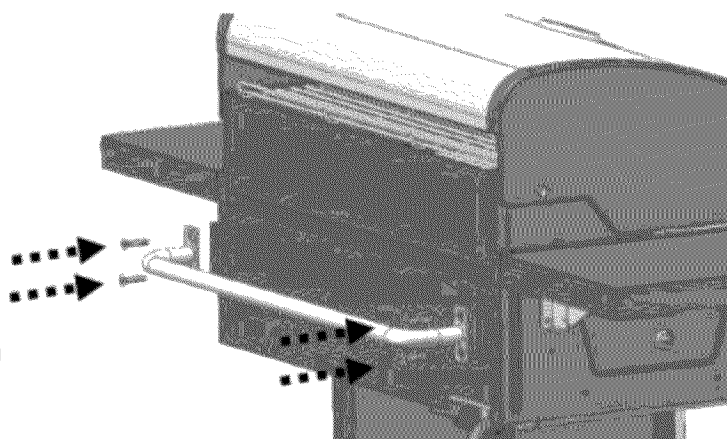
Cant.: 2



Tornillo de cabeza plana

M6x25mm

Cant.: 4

**13**

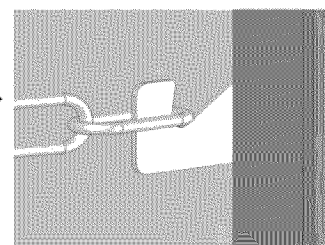
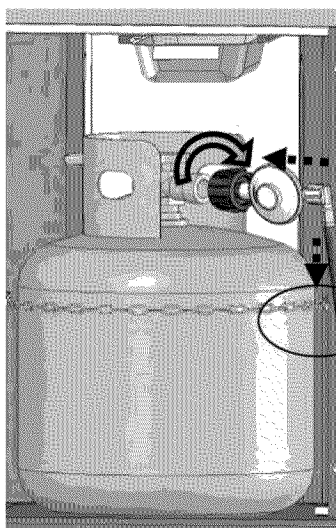
Coloque y asegure la bombona de propano en el armario

- Asegúrese de que la bombona de propano está "APAGADA" girando el mando en dirección de las agujas del reloj hasta que haga tope. Asegúrese de que todos los controles del quemador de la barbacoa estén en posición "APAGADO" (OFF).
- Coloque la bombona de propano en el hueco del soporte de la botella en la parte inferior del armario.
- Quite la tapa de seguridad de la válvula de la bombona. Centre la boquilla del regulador en la bombona y gire la tuerca en dirección contraria a las agujas del reloj hasta hacer tope. **APRIETE SÓLO MANUALMENTE.**
- Coloque la cadena de sujeción de la bombona de propano alrededor de la bombona y engánchela al gancho para asegurarlo.



Cadena de sujeción de la
botella de propano

Cant.: 1

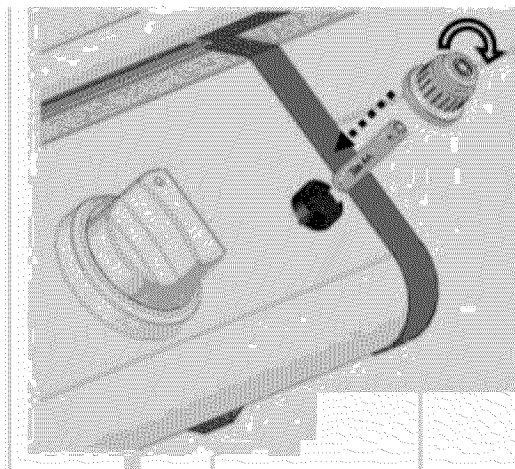


14 Instale la pila

- Afloje el botón del encendedor electrónico. Coloque la pila "AA" en el encendedor con el polo positivo (+) hacia arriba. Vuelva a apretar el botón.



Pila (Tamaño AA)
Cant.: 1



	ADVERTENCIA	
No tire las pilas al fuego, porque podrían explotar o producirse fugas.		

15 ¡Enhorabuena! Ya ha montado su barbacoa.

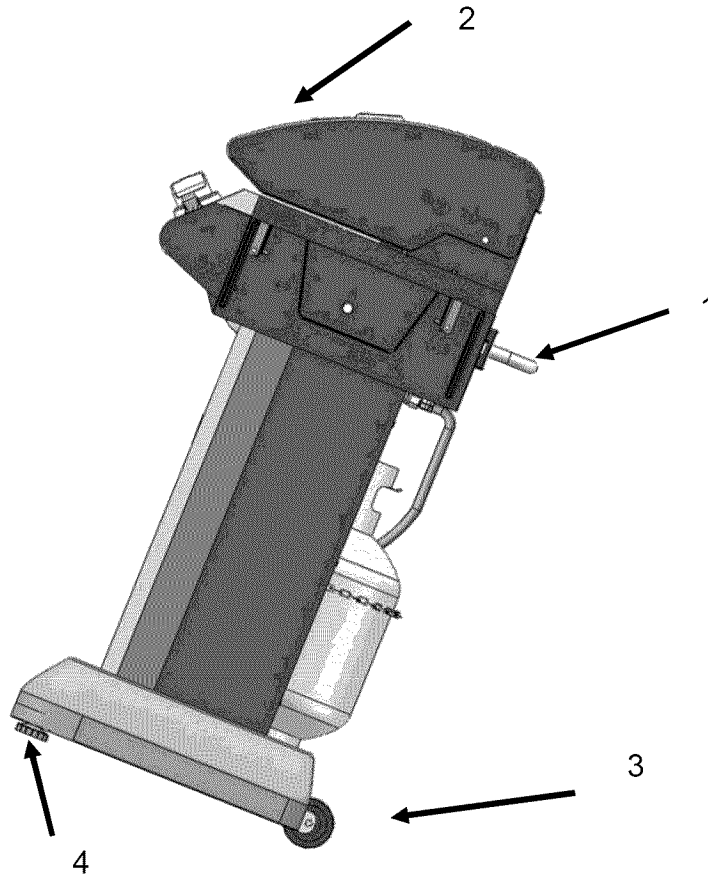
- Quite cualquier etiqueta adicional o material de embalaje de la barbacoa, excepto las etiquetas CSA y de seguridad. Asegúrese de eliminar la espuma de embalaje de todas las zonas.
- Lea la sección de funcionamiento de esta Guía de uso y mantenimiento antes de utilizar la barbacoa.



Cómo transportar la barbacoa

- Sujete el asa de transporte con una mano (1) y el asa de la tapa (2) con la otra desde detrás de la barbacoa. Coloque el pie contra la parte trasera de la base de la barbacoa (3) para levantarla. Incline la barbacoa hacia atrás sobre las ruedas para su transporte.
- Cuando la barbacoa esté en la posición deseada, nivélela si es necesario girando los pies ajustables (4) en la dirección de las agujas del reloj para subir y en la dirección opuesta para bajar.

PRECAUCIÓN: La barbacoa debe estar completamente fría antes de transportarla.



EMERGENCIAS: Si no se puede detener una fuga de gas, o si se produce un incendio debido a una fuga de gas, llame a los bomberos.

Emergencias	Causa posible	Prevención / Solución
Fuga de gas de una manguera agrietada / cortada / quemada.	<ul style="list-style-type: none"> Manguera dañada. 	<ul style="list-style-type: none"> Cierre el gas de la botella de propano o de la fuente en un sistema de gas natural. Para cualquier otra causa, cambie la válvula / manguera / regulador. Si se ha quemado, deje de utilizar el producto hasta que un fontanero haya investigado y corregido la causa.
Fuga de gas de la botella de propano líquido.	<ul style="list-style-type: none"> Fallo mecánico debido a oxidación o manipulación incorrecta. 	<ul style="list-style-type: none"> Cambie la botella de propano líquido.
Fuga de gas de la válvula de la botella de propano líquido.	<ul style="list-style-type: none"> Fallo de la válvula de la botella por manipulación incorrecta o fallo mecánico. 	<ul style="list-style-type: none"> Cierre la válvula de la botella de propano líquido. Devuelva la botella al distribuidor de gas.
Fuga de gas entre la botella de propano líquido y la conexión del regulador.	<ul style="list-style-type: none"> Instalación incorrecta, conexión no apretada, fallo de la junta de goma. 	<ul style="list-style-type: none"> Cierre la válvula de la botella de propano líquido. Retire el regulador de la botella e inspeccione visualmente los posibles daños de la junta de goma. Consulte la prueba de fugas de la botella de propano líquido y la conexión del regulador a la botella.
Fuego a través del panel de control.	<ul style="list-style-type: none"> Fuego en la sección del tubo del quemador debido a una obstrucción. 	<ul style="list-style-type: none"> Cierre los mandos de control y la válvula de la botella de propano líquido. Deje la tapa abierta para que bajen las llamas. Cuando se haya extinguido el fuego y se haya enfriado la barbacoa, retire el quemador y compruebe que no haya nidos de arañas u oxidación. Consulte las páginas relacionadas con Peligros naturales y limpieza del conjunto del quemador.
Fuego por grasa o llamas excesivas continuas por encima de la superficie de cocción.	<ul style="list-style-type: none"> Acumulación de grasa en la zona del quemador. 	<ul style="list-style-type: none"> Cierre los mandos de control y la válvula de la botella de propano líquido. Deje la tapa abierta para que bajen las llamas. Tras enfriarse, limpie las partículas de alimentos y el exceso de grasa del interior del área del cuerpo, la bandeja recogegrasas y otras superficies.

SOLUCIÓN DE PROBLEMAS:

Problema	Causa posible	Prevención / Solución
No se enciende el quemador o quemadores. Continúa en la página siguiente.	<p>PROBLEMAS DE GAS:</p> <ul style="list-style-type: none"> Se intenta encender un quemador incorrecto. El quemador no está conectado a la válvula de control. Obstrucción en el quemador. <ul style="list-style-type: none"> No fluye el gas. Bloqueo de vapor en la tuerca de acoplamiento con la botella de propano líquido. Tuerca de acoplamiento de válvula de botella de propano no conectada completamente. <p>PROBLEMAS ELÉCTRICOS</p> <ul style="list-style-type: none"> Electrodo agrietado o roto o chispas en puntos que no sean la punta. La punta del electrodo no está en la posición correcta. 	<ul style="list-style-type: none"> Consulte las instrucciones del panel de control y la sección Uso y mantenimiento. Asegúrese de que las válvulas estén colocadas en el interior de los tubos de los quemadores. Asegúrese de que los tubos de los quemadores no estén obstruidos con telas de araña u otros materiales. Consulte la sección de limpieza en Uso y mantenimiento. Asegúrese de que la botella de propano líquido no esté vacía. Si no está vacía, consulte "Caída repentina del flujo de gas". Apague los mandos y desconecte la tuerca de acoplamiento de la botella de propano líquido. Vuelva a conectar e inténtelo de nuevo. Gire la tuerca de acoplamiento aproximadamente media vuelta a tres cuartos de vuelta hasta que haga tope. Apriete manualmente, no utilice herramientas. Cambie el electrodo o electrodos. <p>Quemadores principales:</p> <ul style="list-style-type: none"> La punta del electrodo debe estar orientada hacia la abertura del orificio de gas del quemador. La distancia será 1/8" a 3/16". Haga ajustes si fuera necesario. <p>Quemador lateral:</p> <ul style="list-style-type: none"> La punta del electrodo debe estar orientada hacia la abertura del orificio de gas del quemador. La distancia será 1/8" a 3/16". Haga ajustes si fuera necesario.

SOLUCIÓN DE PROBLEMAS (continuación)

Problema	Causa posible	Prevención / Solución
No se enciende el quemador o quemadores con el encendedor.	<ul style="list-style-type: none"> • Cable y / o electrodo cubiertos con residuos de alimentos. • Los cables están sueltos o desconectados. • Los cables se cortocircuitan (chispas) entre el encendedor y electrodo. • Pila agotada. • Circuito de encendido electrónico defectuoso. • Chispas en puntos diferentes del quemador y el electrodo. 	<ul style="list-style-type: none"> • Limpie el cable y / o electrodo con alcohol y un algodón. • Vuelva a conectar los cables o sustituya el conjunto de electrodo / cable. • Sustituya el conjunto del cable / electrodo del encendedor. • Cámbiela por una pila alcalina nueva. • Consulte la sección de Solución de problemas de encendido electrónico integrado. • Inspeccione el aislamiento del cable y que las conexiones sean correctas. Cambie los cables si el aislamiento está roto.
No se encienden el quemador o quemadores.	<ul style="list-style-type: none"> • Consulte "PROBLEMAS DE GAS" en la página anterior. • Método de encendido con cerillas incorrecto. 	<ul style="list-style-type: none"> • Consulte la sección "Encendido con cerillas" del manual de Uso y mantenimiento.
Caída repentina del flujo de gas o llama baja.	<ul style="list-style-type: none"> • No queda gas. • Válvula de exceso de gas activada. • Bloqueo de vapor en la tuerca de acoplamiento / conexión de la botella de propano líquido. 	<ul style="list-style-type: none"> • Compruebe el gas en la botella de propano líquido. • Apague todos los mandos, espere 30 segundos y encienda la parrilla. Si las llamas siguen siendo bajas, apague los mandos y la válvula de botella de propano líquido. Desconecte el regulador. Vuelva a conectar el regulador y haga una prueba de fugas. Abra la válvula de la botella de propano, espere 30 segundos y encienda la barbacoa. • Cierre todos los mandos de control y la válvula de la botella de propano líquido. Desconecte la tuerca de acoplamiento de la botella. Vuelva a conectar e inténtelo de nuevo.
Se extinguen las llamas.	<ul style="list-style-type: none"> • Vientos fuertes. • Gas LP bajo. • Válvula de exceso de gas activada. 	<ul style="list-style-type: none"> • Gire el frente de la barbacoa para enfrentarla al viento y aumentar la altura de llama. • Rellene la botella de propano líquido. • Consulte "Caída repentina del flujo de gas" anterior.
Llamas alta.	<ul style="list-style-type: none"> • Acumulación de grasa. • Exceso de grasa en la carne. • Temperatura de cocción demasiado alta. 	<ul style="list-style-type: none"> • Limpie los quemadores y el interior de la barbacoa / cuerpo. • Corte la grasa de la carne antes de ponerla en la barbacoa. • Ajuste (baje) la temperatura.
Fuego de grasa persistente.	<ul style="list-style-type: none"> • Grasa atrapada por acumulación de alimentos alrededor del sistema de quemadores. 	<ul style="list-style-type: none"> • Ponga los botones en apagado. Cierre el gas en la botella de propano líquido. Deje la tapa en su posición y que se apague el fuego. Cuando se enfríe la barbacoa, retire y limpie todas las piezas.
Flashback... (Fuego en el tubo o tubos de los quemadores).	<ul style="list-style-type: none"> • El quemador y / o los tubos del quemador están bloqueados. 	<ul style="list-style-type: none"> • Ponga los botones en apagado. Limpie el quemador y / o los tubos del quemador. Consulte la sección de limpieza de quemadores del manual de Uso y mantenimiento.
No se puede llenar la botella de propano líquido.	<ul style="list-style-type: none"> • Algunos distribuidores tienen boquillas de llenado antiguas con las roscas desgastadas. 	<ul style="list-style-type: none"> • Las boquillas desgastadas no tienen suficiente "mordida" para enganchar la válvula. Inténtelo con otro distribuidor de gas LP.
Un quemador no se enciende de los otros quemadores.	<ul style="list-style-type: none"> • Acumulación de grasa o partículas de alimentos en el extremo o extremo de los tubos de transporte. 	<ul style="list-style-type: none"> • Limpie los tubos con un cepillo metálico.

Get it fixed, at your home or ours!

Your Home

For troubleshooting, product manuals and expert advice:



www.managemylife.com

For repair – **in your home** – of **all** major brand appliances, lawn and garden equipment, or heating and cooling systems, **no matter who made it, no matter who sold it!**

For the replacement parts, accessories and owner's manuals that you need to do-it-yourself.

For Sears professional installation of home appliances and items like garage door openers and water heaters.

1-800-4-MY-HOME[®] (1-800-469-4663)

Call anytime, day or night (U.S.A. and Canada)

www.sears.com www.sears.ca

Our Home

For repair of carry-in items like vacuums, lawn equipment, and electronics, call anytime for the location of your nearest

Sears Parts & Repair Service Center

1-800-488-1222 (U.S.A.)

www.sears.com

1-800-469-4663 (Canada)

www.sears.ca

To purchase a protection agreement on a product serviced by Sears:

1-800-827-6655 (U.S.A.)

1-800-361-6665 (Canada)

Para pedir servicio de reparación a domicilio, y para ordenar piezas:

1-888-SU-HOGAR[®]

(1-888-784-6427)

www.sears.com

Au Canada pour service en français:

1-800-LE-FOYER^{MC}

(1-800-533-6937)

www.sears.ca

The Sears logo, consisting of the word "sears" in a lowercase, serif font.

® Registered Trademark / TM Trademark of KCD IP, LLC in the United States, or Sears Brands, LLC in other countries

® Marca Registrada / TM Marca de Fábrica de KCD IP, LLC en Estados Unidos, o Sears Brands, LLC in otros países

^{MC} Marque de commerce / ^{MD} Marque déposée de Sears Brands, LLC