

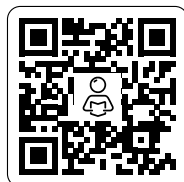
SENCOR®

SHM 7950WH



HAND BLENDER

Translation of the original manual

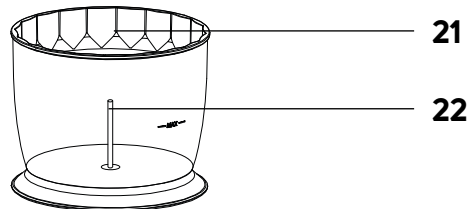
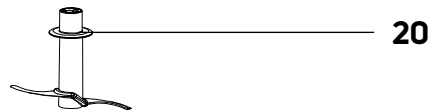
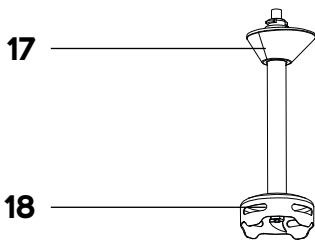
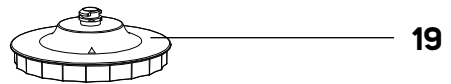
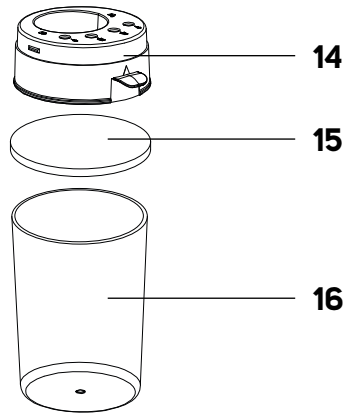
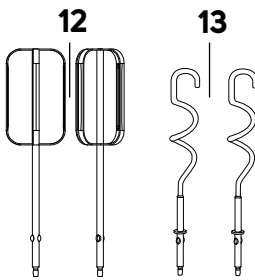
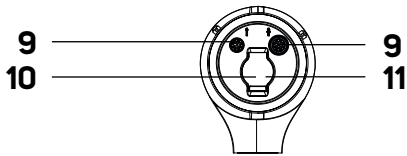
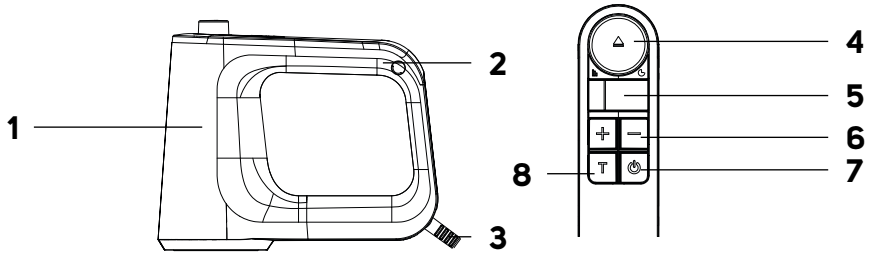


SENCOR®

SHM 7950WH

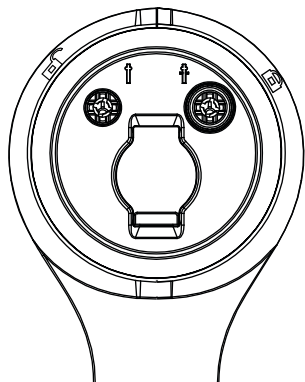


A

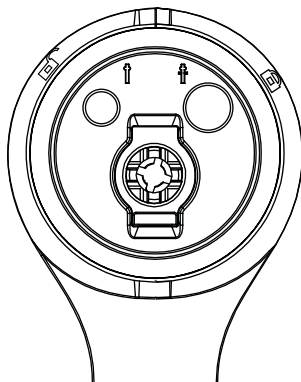


B

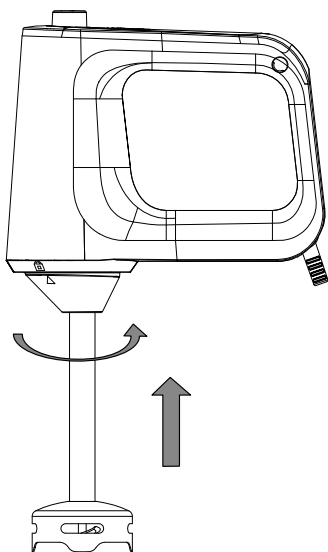
B1

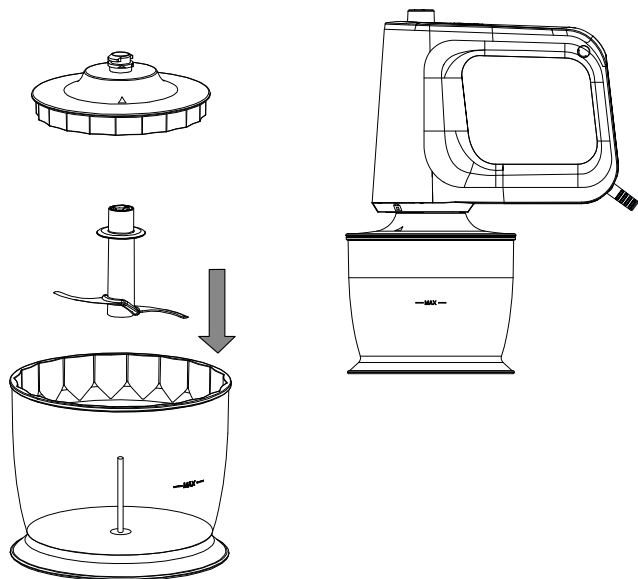
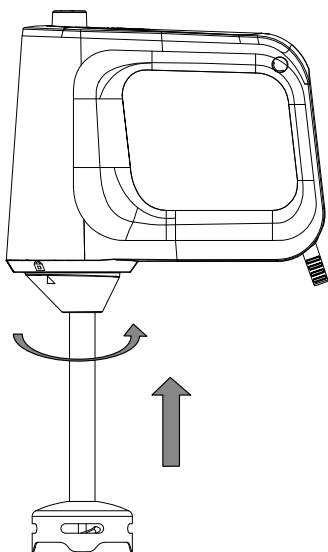


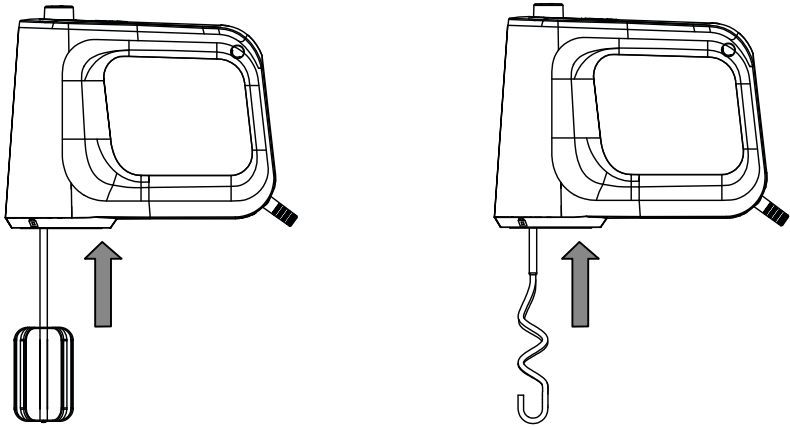
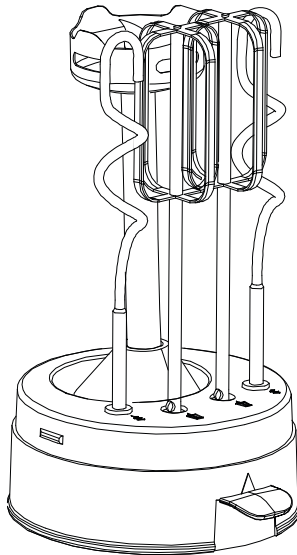
B2



C



D**E**

E**G**

IMPORTANT SAFETY INSTRUCTIONS

READ CAREFULLY AND STORE FOR FUTURE USE.

- This appliance is not to be used by children. Keep this appliance and its power cable out of the reach of children.
- The appliance may be used by persons with reduced physical, sensory or mental abilities or lack of experience and knowledge, provided they are supervised or have been instructed on the safe use of the appliance and understand the potential hazards.
- Children must not play with the appliance.
- Cleaning and maintenance must not be carried out by children.
- If the power cord is damaged, have it replaced in a professional service centre in order to prevent a dangerous situation. Never use the appliance if the power cable is damaged.



WARNING:

Incorrect use may lead to injuries.

- Pay attention when handling the chopping blades, especially when removing the blades from the container, emptying the container and during cleaning.
- When cleaning food contact surfaces, follow the instructions in this manual. Use only clean water with a little neutral dishwashing detergent.

- Always disconnect the appliance from the power socket if you are leaving it unattended and before assembly, disassembly or cleaning.
 - Before replacing the accessories or accessible movable parts, please turn the appliance off and disconnect it from the power supply.
-

Additional Important Safety Instructions for Use of the Appliance

- Before connecting this appliance to a power socket, make sure the rated voltage stated on the product's rating label corresponds to the voltage in your power socket.
- The appliance is designed for home use and is used for blending, chopping, grating and whisking food. Do not use it to process food that are too hard, such as ice cubes, nutmeg, etc.
- Do not use the appliance in an industrial environment or outdoors. Do not use it for any other purposes than those intended.
- Do not place the appliance on or near an electric or gas cooker, on the edge of a table or on an unstable surface. Only place the appliance on an even, dry and stable surface.
- Use the appliance only with the original accessories supplied with it.
- Make sure that the appliance is correctly assembled before putting it into operation.
- Do not touch rotating parts that are in motion during operation. Keep hair, jewellery or loose clothing away from the rotating parts. Otherwise, injury may occur.
- Take extra care when handling hot liquids and food. Hot steam or splashing hot liquids and food may cause scalding. For increased safety, allow hot fluids and food to cool down to at least 45 °C before mixing them. Only the immersion attachment is intended for processing of hot fluids and food. Other attachments are intended for processing of cooled down or cold food. Do not process frozen food or liquids.
- To push ingredients through the filling tube, always use the supplied pusher. Never use your hands or any other items.
- The operating time of the appliance is 1 minute. Allow it to cool for at least 3 to 5 minutes before turning it on again. If you are using the appliance to blend sticky or harder food, stop operation after 30 seconds.
- Do not turn on the appliance when it is empty. Incorrect use of the appliance may negatively affect its lifetime.
- Always turn off the appliance and disconnect it from the power socket if you will not be using it and if you will be leaving it without supervision, before assembly, disassembly, cleaning or moving it.
- Before disassembling the appliance into individual parts, make sure that the motor unit is switched off, disconnected from the mains socket and that the rotating parts have stopped.
- Take extra care when handling the grater, hand blender blade unit or chopper, especially when removing the grater or blade unit, emptying the container and cleaning to avoid injury from the blade.
- Do not submerge the motor unit and power cord in water or any other liquids, and do not wash these parts under running water.
- Ensure that the power plug contacts do not come into contact with moisture. Do not place heavy items on the power cord. Make sure the power cord does not hang over the edge of a table or that it does not touch a hot surface.
- Do not disconnect the appliance from the power socket by pulling on the power cord. This could damage the power cord or the socket. Disconnect the power cord from the power socket by pulling the plug. Do not use the appliance if it is not working properly or shows signs of damage.
- To prevent dangerous situations, do not repair or modify the appliance yourself. All repairs should be carried out by an authorised service centre. Tampering with the appliance may result in the loss of your legal rights regarding faulty performance or warranty for quality.

Prevention of Household Accidents

- Hot or boiling liquids pose a significant risk to children, and even minor burns can be serious. Observe basic household injury prevention rules and exercise increased caution when children are near hot or boiling liquids. If necessary, explain to children the risks associated with hot or boiling liquids.
 - In the event of burns or scalds, immediately rinse the affected area under a stream of cold water and seek medical assistance if required.
-

EXPLANATION OF SYMBOLS PLACED ON THE PRODUCT OR IN THE ACCOMPANYING DOCUMENTATION



The product meets all the basic requirements of the applicable EU directives.



This symbol on products or accompanying documents means that used electric or electronic products must not be added to ordinary municipal waste.



Product with protection class II
Electric shock protection is provided by double or heavy-duty insulation.


EN Hand Blender User Manual

- Thank you for purchasing our SENCOR product; we hope it will serve to your satisfaction.
- Prior to using this appliance, please read the user manual thoroughly, even in cases when you are already familiar with the use of similar types of appliances. Use the appliance only as described in this user manual. Keep the manual for future reference. If you pass the appliance on to another person, ensure that this user manual is included.
- Carefully unpack the appliance and make sure not to discard any part of the packaging material until you have removed all its components. It is recommended that you keep the original packaging, packing material, receipt and confirmation of the extent of the seller's liability or warranty certificate at least for the duration of the legal right to file a defect claim or the quality warranty. When transporting the appliance, we recommend repackaging it in the original box provided by the manufacturer.
- Components that are equipped with a transmission system (chopper container lid, top part of the hand blender attachment) should be wiped with a slightly damp soft cloth. Wipe it with a dry cloth.
- Thoroughly wash the accessories and parts that come into contact with food (see the list below) with warm water using a neutral kitchen detergent and soft sponge or soft brush. Then rinse everything with clean water and allow to dry freely, or wipe dry with a soft cloth.

Accessories and parts suitable for hand washing:

- Removable hand blender attachment (bottom only)
- Beater attachments
- Kneading attachments
- Attachment holder
- Blending beaker lid
- Blending beaker
- Blade unit of the chopper
- Chopper Container

DESCRIPTION OF THE APPLIANCE

- | | |
|--|--|
| A1 Motor unit | A11 Sliding cap |
| A2 Handle | A12 Whipping attachments |
| A3 Power cable | A13 Kneading attachments |
| A4 Attachments release button | A14 Attachment holder |
| A5 Display | A15 Blending container lid |
| A6 +/- button | A16 Blending container |
| A7  On/Off button | A17 Removable hand blender attachment |
| A8 T button (Turbo function) | A18 Chopping knife |
| A9 Holes for inserting whipping / kneading attachments | A19 Lid of the chopper container |
| A10 Hole for attaching the stick blender attachment/chopper container lid | A20 Blade unit of the chopper |
| | A21 Chopper container |
| | A22 Centre tip |

PURPOSE OF USE

Hand Blender

- It is suitable for mixing soft ingredients and liquids. It is mainly used for the preparation of baby food, various types of cocktails, sauces, spreads, etc.

Chopper

- It is suitable for chopping food such as meat, semi-hard and hard cheese, raw fruit and vegetables, nuts, herbs, etc. Do not try to process too hard food such as ice cubes, coffee beans, nutmeg, cocoa beans, etc.

Hand Mixer

- Hand blender with beating attachments is suitable for preparing light batters or for whipping whipped cream, egg whites and creams. Do not use for whipping thick doughs.
- A hand mixer with kneading attachments is suitable for preparing thicker or leavened doughs.

BEFORE FIRST USE

- Remove the motor unit and all accessories from the packaging material. Remove any promotional labels or tags. Make sure that no parts are damaged.
- Before storing or disposing of the packaging material, check that you have removed all parts and accessories from the packaging compartments and packaging material.
- Wipe the motor unit with a slightly moistened soft cloth. Wipe with a dry cloth.

Caution:

No part of this appliance is designed to be washed in a dishwasher.

Warning:

When handling the removable attachment of the hand blender or the blade unit of the chopper, take extra care to avoid injury.

Warning:

Do not rinse the motor unit, power cord or plug under water or immerse them in water.



Note:

You may notice a slight odour on first use. This is a normal occurrence which disappears with use.

ASSEMBLY



Warning:

Before starting to assemble the appliance, make sure that it is turned off and disconnected from the mains socket. Always wait until the rotating accessories have come to a complete stop. Parts that attach to the motor unit must be dry and clean!

Sliding cap

- The hand blender is equipped with a sliding opening cap for attaching accessories.
- If you are going to use beater or kneading attachments, slide the cap downwards – see figure **B1**.
- If you are going to use a removable hand blender or chopper attachment, slide the cap upwards – see Figure **B2**.

Hand Blender (Fig. C)

1. Slide the **A11 cover** upwards so that the **A10 hole** is free.
2. Insert the hand blender attachment from below into the **A10 hole** at the bottom of the motor unit so that the attachment connector fits into the **A10 hole** pressing.
3. Turn the attachment until the arrow symbol is aligned with the closed lock symbol on the motor unit.

**Warning:**

When handling the removable hand blender attachment, take extra care to avoid injury.

Chopper (Fig. D)

1. Install the blade unit on the centre pin on the bottom of the container.
2. Slide the **A11 cover** upwards so that the **A10** hole is free.
3. Insert the chopper container lid from the bottom into the **A10** hole at the bottom of the motor unit so that the lid connector fits into the **A10** hole pressing.
4. Turn the lid until the arrow symbol is aligned with the closed lock symbol on the motor unit.
5. Put the ingredients in the chopper container and place the lid.

**Warning:**

Take extra care to avoid injury when handling the chopper blade unit.

Hand Frother (Fig. E)

1. Slide the **A11** cap downwards so that the **A9** holes are free.
2. Insert the whipping or kneading attachments into the **A9** holes until they click into place. Before use, always make sure that they are properly attached.

**Caution:**

Do not combine attachments (e.g. one whipping attachment and one kneading attachment). Always use attachment of the same type.

USING YOUR ACCESSORIES**Hand Blender**

- Mix the food in the supplied container or other suitable container, which is intended for contact with food.
- When using the hand blender to blend food in a pot, always remove the pot from the hob first.
- The food you put in the supplied container should not be boiling or too hot to avoid damaging the container. It is recommended to allow the food to cool down to about 50 to 60°C before using the stick blender.
- Keep the blade unit submerged while the appliance is in use to avoid splashing food. You can also prevent food splashing by not overfilling the container in which you process it. We recommend processing food in short bursts. Move the blade unit slowly up and down and in circles.

Chopper

- Cut the food into pieces of the same size and distribute the food evenly in the chopper container.
- Place the blade unit first and then the food that you wish to process.
- Do not fill the chopper container above the maximum mark.
- We recommend processing food in short bursts.
- Take out the processed food using wooden or plastic spoon, spatula or a spoon.

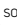
**Warning:**

Do not use your fingers to take the processed food out. There is a serious risk of injury.

Hand Mixer

- Immerse the attachments in the container and then turn on the appliance.
- Process ingredients in the supplied container or other container suitable for contact with food.
- Keep the attachments submerged while the appliance is in operation to avoid splashing food. You can also prevent food splashing by not overfilling the container in which you process it. Do not whip more than 6 egg whites, 600 ml of cream or dough with a flour content of more than 250 g.

OPERATING THE APPLIANCE

- Select the type of accessories you want to use and assemble the appliance according to the instructions above.
- Connect the power cord plug to a power socket.
- Use the +/- buttons to set the desired speed. The speed is displayed on the left side of the display. You can set the speed between 1 to 5 where "1" is the lowest and "5" is the highest speed.
- Press the  button as soon as the desired speed is set. You can also change the speed during operation.
- The operating time of the appliance will be displayed in the right part of the display.
- If you need to process ingredients quickly, press the T button and the appliance will start at maximum power. When the button is released, the appliance switches off.
- Disconnect the power cord from the power socket after use. Make sure that the rotating parts have stopped rotating and disassemble the appliance into its individual parts. Then clean all used parts according to the instructions in the chapter CLEANING AND MAINTENANCE.

Maximum recommended usage time

ACCESSORIES	OPERATING TIME	RESTING TIME
Hand Blender	1 minute	3–5 minutes
Chopper	1 minute (soft ingredients) 10 seconds (hard ingredients)	
Hand Mixer	2 minutes	

**Note:**

If you are using the appliance to blend sticky or harder food, stop operation after 10 to 20 seconds.

QUICK GUIDE TO PROCESSING INGREDIENTS**Hand Blender**

Ingredients	Quantity	Speed setting	Processing time
Baby food	300 g	Medium to maximum	45 s
Spreads	200 g	Medium to maximum	30 s
Fruit and vegetables (cooked)	200 g	Medium to maximum	45 s
Sauces	500 ml	Medium to maximum	45 s
Shakes/ Cocktails	500 ml	Medium to maximum	30 s

Chopper

Ingredients	Quantity	Speed setting	Processing time
Meat	150 g	Medium to maximum	30 s
Fruit and vegetables (raw)	100 g	Medium to maximum	15 s
Hard and semi-hard cheeses	100 g	Maximum	15 s
Hard pastry for breadcrumbs	50 g	Medium to maximum	20 s
Shelled nuts	50 g	Maximum	15 s
Herbs	25 g	Medium	15 s



Note:

First cut larger pieces of food into 2 cm cubes and only then process them with a chopper. Vegetables such as onions can be cut into quarters.

Hand Mixer

Ingredients	Attachments	Quantity	Speed setting	Processing time
Egg whites	Beater attachments	4 pcs	Maximum	60 s
Whisking cream	Beater attachments	200 ml	Maximum	60 s
Lightweight doughs	Beater attachments	500 g	Medium to maximum	60 s
Thick doughs	Kneading attachments	300 g	Medium to maximum	60 s
Yeast dough	Kneading attachments	250 g flour	Medium to maximum	4 minutes (always with a pause of 1 minute)



Note:

Always whisk the cream and egg whites in a narrow, high container. When whipping egg whites, the whisks and container must always be completely clean and dry, otherwise the whites may not be whipped to a firm consistency.



Note:

The above food processing times are indicative only. The actual processing time depends on the size of the food, its quantity and the desired final consistency. If the desired consistency is not achieved during the maximum period of operation of the appliance, after it has cooled down, you can continue processing the food again.

DISASSEMBLY



Warning:

Before starting to disassemble the appliance, make sure that it is turned off and disconnected from the mains socket. Always wait until the rotating accessories have come to a complete stop.

Hand Blender

1. Hold the hand blender attachment with one hand and the motor unit with the other hand.

2. Turn the attachment until the arrow on the attachment is aligned with the open lock symbol.
3. Remove the attachment from the motor unit.



Warning:

When handling the removable hand blender attachment, take extra care to avoid injury.

Chopper

1. Lift the motor unit with the chopper lid.
2. Hold the chopper lid with one hand and the motor unit with the other hand.
3. Turn the lid until the arrow on the lid points to the open lock symbol.
4. Remove the lid from the motor unit.
5. Remove the processed food and carefully remove the blade unit from the chopper container.



Warning:

Take extra care to avoid injury when handling the chopper blade unit.

Hand Mixer

1. Hold the attachments with one hand and press the **A4** attachment release button with the other hand.
2. Remove the attachments from the motor unit.

CLEANING AND MAINTENANCE

- Before cleaning, switch off the appliance and unplug the power cord from the mains socket. Allow the appliance to cool down.
- Clean the base and used accessories immediately after use. Do not allow food residues to dry out.



Warning:

To prevent the risk of electric shock, do not immerse the appliance, power cable, or plug into water or any other liquid.



Caution:

Do not use abrasive cleaning agents, solvents, etc. to clean any parts of the appliance, as these could damage the surface. None of the components of this appliance are dishwasher safe.



Caution:

Do not use scouring pads (metal or plastic) to clean any parts of the appliance. They can scratch the surface and damage its finish.

Motor unit and chopper lid

- Wipe the motor unit with a slightly moistened soft cloth. Wipe with a dry cloth.
- Components that are equipped with a transmission system (chopper container lid, top part of the hand blender attachment) should be wiped with a slightly damp soft cloth. Wipe with a dry cloth.

Accessories

- Thoroughly wash the accessories and parts that come into contact with food (see the list below) with warm water using a neutral kitchen detergent and soft sponge or soft brush. Then rinse everything with clean water and allow to dry freely, or wipe dry with a soft cloth.

Accessories and parts suitable for hand washing:

- Removable hand blender attachment (bottom only)
 - Beater attachments
 - Kneading attachments
 - Attachment holder
 - Blending beaker lid
 - Blending beaker
 - Blade unit of the chopper
 - Chopper Container
- The blade unit of the hand blender can also be cleaned by immersing it in warm water with added dishwashing detergent after use and briefly putting the appliance into operation. Then disconnect the appliance from the power socket, disassemble and rinse the blade unit with clean drinking water and dry thoroughly.



Caution:

No part of this appliance is designed to be washed in a dishwasher.



Warning:

Take extra care to avoid injury when handling the removable hand blender attachment, chopper blade unit, food processor blade unit, double-sided grater.

STORAGE

- Before storage, the appliance and its accessories must be completely cool, switched off and disconnected from the power supply, clean and dry.
- The appliance is supplied with a holder for storing attachments – see Figure G. Insert the whipping and kneading attachments into the narrow hole and insert the removable attachment of the hand blender into the wide hole. Insert the holder with the extensions in the blender container and put the lid in place.
- Store the motor unit and all accessories in a clean, dry place out of the reach of children. Do not store the appliance assembled. Do not place any accessories or foreign objects on the motor unit.

TECHNICAL SPECIFICATIONS

Rated voltage range.....	220-240 V-
Rated frequency.....	50-60 Hz
Rated input power.....	800 W
Mixing container capacity	1.0 l
Chopper container capacity.....	0.5 l
Noise level.....	85 dB(A)

Values Provided according to Commission Regulation EU 2023/826

Off Mode	
Power consumption in off mode	0.3 W
Time needed for the equipment to automatically reach off mode	0 min
Standby Mode	
Power consumption in Standby mode	-
Time needed for the equipment to automatically reach standby mode	-
Networked Standby Mode (Wi-Fi)	
Power consumption in networked standby	-
Time needed for the equipment to automatically reach networked standby mode	-

INSTRUCTIONS AND INFORMATION ON DISPOSAL OF USED PACKAGING MATERIAL

Dispose of used packaging material at the designated municipal waste disposal site.

DISPOSAL OF USED ELECTRICAL AND ELECTRONIC EQUIPMENT

Used electrical and electronic products must not be disposed of in ordinary municipal waste. To enable the proper disposal, renewal and recycling of these products, deliver them to the designated collection points. Alternatively, in some European Union states or other European countries the products can be returned to the local retailer when buying an equivalent new product. By disposing of this product correctly, you help to conserve valuable natural resources and prevent any potential adverse impact on the environment and human health that could result from improper waste disposal. For more details, contact your local authority or nearest collection point. Fines may be imposed for the improper disposal of this type of waste as per national regulations.

For business entities in European Union States

If you wish to dispose of electrical and electronic equipment, please request the necessary information from your retailer or supplier.

Disposal in other countries outside the European Union

To dispose of this product elsewhere, request the necessary information on the correct disposal method from local authorities or your retailer.

Changes to text and technical parameters are reserved.