

Cooler

USER MANUAL

MRW14B2ABB

Warning notices: Before using this product, please read this manual carefully and keep it for future reference. The design and specifications are subject to change without prior notice for product improvement. Consult with your dealer or manufacturer for details. The diagram above is just for reference. Please take the appearance of the actual product as the standard.

LANGUAGES

EN English

FR French

Free 3 months extension of the original limited warranty period!* Simply text a picture of your proof of purchase to:

1-844-224-1614

*The warranty extension is for the three months immediately following the completion of the product's original warranty period.

THANK YOU

Thank you for choosing Midea! Before using your new Midea product, please read this manual thoroughly to ensure that you know how to operate the features and functions that your new appliance offers in a safe way.

CONTENTS

THANK YOU	01
SPECIFICATIONS	02
PRODUCT OVERVIEW	03
PRODUCT INSTALLATION	04
OPERATION INSTRUCTIONS	08
CLEANING AND MAINTENANCE	09
TROUBLESHOOTING	10
WARRANTY	11

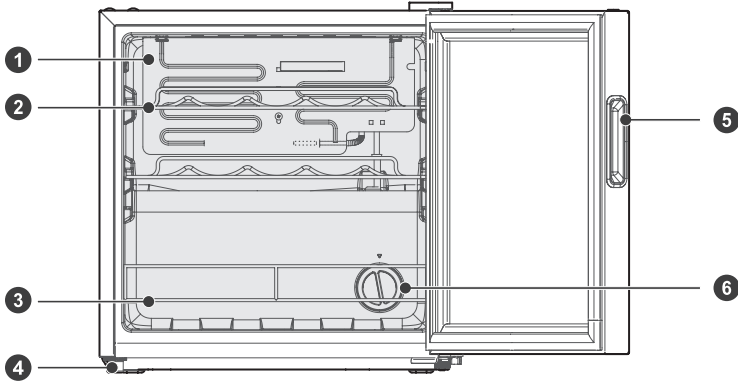
SPECIFICATIONS

Product model	MRW14B2ABB
Fresh Food Storage Compartment Volume	43L(1.5cu.ft.)
Rated Voltage	AC115V
Rated Current	60Hz
Overall Dimension (H x W x D)	19.5 x 18.5 x 17.3 inches

EN

PRODUCT OVERVIEW

Names of components



- | | | | |
|---|----------------------------------|---|-----------------|
| 1 | Refrigerator rollbond evaporator | 4 | Levelling foot |
| 2 | Shelf | 5 | Door Handle |
| 3 | Steel column strip | 6 | Thermostat knob |

ATTENTION

The picture above is only for reference. The actual configuration will depend on the physical product or statement by the distributor.

EN

PRODUCT INSTALLATION

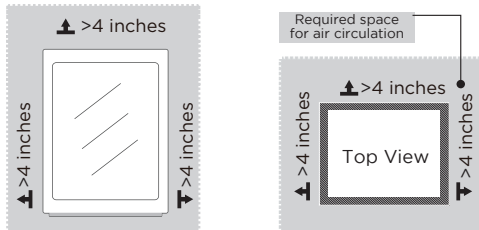
Install Instruction

Finding a suitable location

- This cooler is designed to be free standing only, and should not be recessed or built-in.
- The cooler should be placed in a well-ventilated indoor place; the ground shall be flat and sturdy .
- Keep away from heat and avoid direct sunlight. Do not place the cooler in moist or watery places to prevent rust or reduction of insulating effect.

Dimensions and Clearances

- Too small of a distance from adjacent items may result in the degradation of freezing capability and increased electricity costs. Allow over 4 inches of clearance from each adjacent wall when installing the appliance.



Providing a proper power supply

- Check your local power source. This cooler requires a **AC 115 V, 60 Hz** power supply.
- Use a receptacle that accepts the grounding prong. The power cord is equipped with a 3-prong (grounding) plug which mates with a standard 3-prong (grounding) wall outlet to minimize the possibility of electric shock hazard from this cooler.



CAUTION

The cooler should always be plugged into its own individual electrical outlet which has a voltage rating that matches the rating plate.

Never unplug your cooler by pulling on the power cord. Always grip the plug firmly and pull straight out from the outlet.

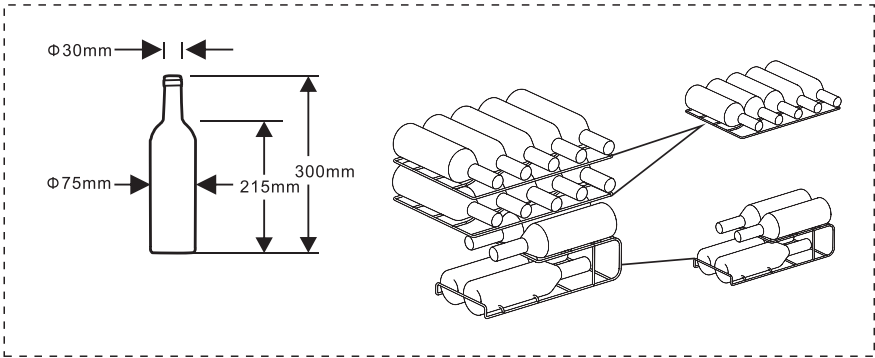
When positioning the appliance, ensure the supply cord is not trapped or damaged.

Start to use

- The cooler shall stay for half an hour before connecting power when it is firstly started.
- The cooler shall run 2 to 3 hours before loading fresh or frozen foods; the cooler shall run for more than 4 hours in summer in advance considering that the ambient temperature is high.

The arrangement of bottle

- Do not let bottle touch the back side of cooler in order to maintain good air circulation in the cooler.
- The capacity for bottle storage in the wine cabinet is based on the following marked bottle size. Oversized bottle may have impact on the number of bottle storage in the wine cabinet.



● ATTENTION

The picture above is only for reference. The actual configuration will depend on the physical product or statement by the distributor.

EN

Tips for energy saving

- The cooler shall be placed in room dry and ventilated. The beverage cooler can not be put under direct sunlight or next to heat source (such as radiator, stove, etc.), and a suitable insulation board shall be applied if necessary.
- Try to shorten opening time of cooler's door.

Practical skills for grape wine's storage

- Do not store bottled wine by box or case in refrigerator.
- The cork of the old bottle shall always be soaked in the wine putting into wine cooler. Air space is not allowed between wine and cork.
- Open-type bottle shelf is helpful, as it does not cut on air circulation. The air moisture that condensed on bottle can be dried out swiftly.
- The wine shall before drinking: such as put pink red wine onto the table 2-5 hours before drinking and red wine 4-5 hours, then can reach suitable serving temp. White wine, on the contrary, can be served right on the table. champagne shall always be stored in cooler and taken out only before drinking.
- Please notice that wine's temperature is always lower than ideal serving temp, as the temperature will immediately rise 1 to 2°C when pouring into tumbler.

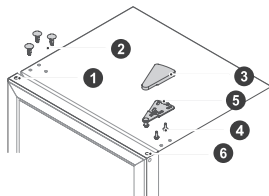
Serving temperature

- The wine's taste depends on right pouring temperature; therefore it determines its flavor.
- We suggests the wine's temperature reaches the following degree when pouring:

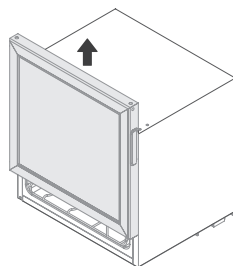
Wine Kinds	Serving Temp
Bordeaux red	18°C
Louis Family dry red wine/Barolo	17°C
Burgundy red/Bordeaux red	16°C
Port	15°C
Young Burgundy red	14°C
Young red wine	12°C
Young Beaujolais/all white wines with little residual sugar	11°C
Old white wines/Chardonnay	10°C
Sherry	9°C
Young white wines from late vintage	8°C
White wines Loire/Entre-deux-Mers	7°C

Reversing the door swing

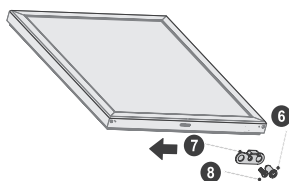
1. Change the installation location of the upper hinge (5) of the beverage cabinet, then the opening direction of the door could be changed at will. Please follow the following instructions for the change of the opening direction of the beverage cabinet's door (for instance: from right-handed door to left-handed door): close the glass door of the beverage cabinet, use a blade to remove the rivet (2) carefully, loose the mounting cover (3) of the door hinge and three positioning bolts (4) and remove the upper hinge (5).



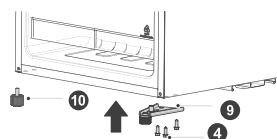
2. Open the door of the beverage cabinet and detach the glass door of which with tremendous care.



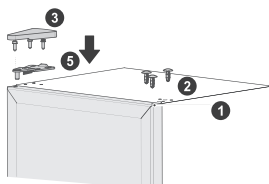
3. Dismantle the door axle sleeve (6) at lower part of the glass door, door stopper block screws (8) and door stopper (7), and fix them to left side.



4. Dismantle the levelling foot (10), positioning bolts (4) and lower hinge (9), then exchange the parts of right and left sides and later use the reverse method to install the levelling foot and positioning bolts.



5. Put the aforesaid glass door on the lower hinge, install the door axle sleeve (6) back and fix the upper hinge (5). Align the door with the cabinet and check the tightness of gasket, and then install all the ornaments (1) (2).



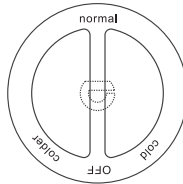
EN

● ATTENTION

The picture above is only for reference. The actual configuration will depend on the physical product or statement by the distributor.

OPERATION INSTRUCTIONS

Control panel



After power on the cooler, it can turn the thermostat knob to set the inside temperature level

- "Cold" is the warmest setting.
- "Colder" is the coldest setting.
- "OFF" means stop cooling.

* The actual control panel may differ from model to model.

ATTENTION

The setting range of centigrade temperature is 5°C -18°C and the setting range of Fahrenheit temperature is 41°F-64°F.

- The temperature in the cooler is 41°F-64°F, only used to store unopened bottled wine (red wine, white wine, rose wine).
- Do not place food in the cooler to prevent bacterial contamination.
- Please keep the interior of the wine cabinet dry, please drink Bottled wine during the validity period.

CLEANING AND MAINTENANCE

Stop using the cooler

If the cooler left unused for a long time, please:

1. Unplug the cooler;
2. Clean the cooler;
3. Keep the cooler door open.

Clean the cooler

- Dusts behind the cooler and on the ground shall be timely cleaned to improve the cooling effect and energy saving.
- Check the door gasket regularly to make sure there are no debris. Clean the door gasket with a soft cloth dampened with soapy water or diluted detergent.
- The interior of the cooler should be cleaned regularly to avoid odor.
- Please turn off the power before cleaning, remove drinks ,shelves,etc.
- Use a soft cloth or sponge to clean the inside of the cooler, with two tablespoons of baking soda and a quart of warm water. Then rinse with water and dry with a soft cloth. After cleaning, open the door and let it dry naturally before turning on the power.
- For areas that are difficult to clean in the cooler (such as narrow sandwiches, gaps or corners), it is recommended to wipe them regularly with a soft rag, soft brush, etc. and when necessary, combined with some auxiliary tools (such as thin sticks) to ensure no contaminants or bacterials accumulation in these areas.
- Do not use soaps, detergents, spray cleaners, etc. to clean the inside of your cooler as these may create odors or contamination.
- Clean the shelves with a soft cloth dampened with soapy water or diluted detergent. Then rinse with water and dry with a soft cloth or dry naturally.
- The wooden wine rack should not be directly immersed in liquid to prevent cracking or mold after moisture. The wooden wine rack is cleaned with a dry soft cloth. The heavily contaminated wooden wine rack should be cleaned with a soft cloth that has been wrung out, and dry naturally.
- Wipe the outer surface of the cooler with a soft cloth dampened with soap water, detergent,etc.,and then wipe dry. Do not rub or scratch the surface of the glass door to prevent the door from being broken or scratched.
- Do not use hard brushes, clean steel balls, wire brushes, abrasives(such as toothpastes),organic solvents (such as alcohol, acetone, banana oil, etc.), boiling water, acid or alkaline items, which may damage the cooler surface and interior. Boiling water and organic solvents such as benzene may deform or damage plastic parts.
- Do not rinse directly with water or other liquids during cleaning to avoid short circuits or affect electrical insulation after immersion. Water should not soak the operating control elements and lighting system in the glass door.

TROUBLESHOOTING

The following simple issues can be handled by the user. Please call the after-sale service department if the issues are not solved.

Problem	Possible reason
Not work	• Whether the cooler is plugged and connected to power
	• Low voltage
	• Failure power or tripping circuit.
Long-time operation of the compressor	• It is normal that cooler operates for longer time in summer when the ambient temperature is higher
	• Do not put too much beverage s in the cooler at one time;
	• Frequent opening of cooler door.
Light not work	• Whether the cooler is connected to power, whether the indicator light is damaged.
Loud noises	• Whether the floor is flat, whether the placement of cooler is stable;
	• Whether the cooler accessories are properly placed.
Over heat on sidewall	• The cooler enclosure may emit heat during running specially in summer, this is caused by the radiation of the condenser, and it is a normal phenomenon.
Surface condensation	• Condensation: condensation phenomenon will be detected on the exterior surface and door seals of the cooler when the ambient humidity is high, this is a normal phenomenon, and after wiping with towel, turns up the set temperature of the appliance properly.
Airflow sound Buzz Clatter	• Refrigerants circulating in the refrigerant lines will produce eruption of sound and grunts which is normal does not affect the cooling effect.
	• Buzz will be generated by running compressor specially when starting up or shutting down.
	• The solenoid valve or electric switch valve will clatter which is a normal phenomenon and does not affect the operation.

EN

ATTACH YOUR RECEIPT HERE. PROOF OF PURCHASE IS REQUIRED TO OBTAIN WARRANTY SERVICE.



Please have the following information available when you call the Customer Service Center:

- Name, address and telephone number
- Model number and serial number
- A clear, detailed description of the problem
- Proof of purchase including dealer or retailer name and address

IF YOU NEED SERVICE:

1. Before contacting us to arrange service, please determine whether your product requires repair. Some questions can be addressed without service. Please take a few minutes to review the Troubleshooting section of the User Manual, or visit <http://us.Midea.com/support>.
2. All warranty service is provided exclusively by our authorized Midea Service Providers, in the U.S. and Canada.

Midea Customer Service

USA:

<https://www.midea.com/us/support>

Or contact us at:

Telephone: 1-866-646-4332

Email: customerserviceusa@midea.com

CANADA:

<https://www.midea.com/ca/support>

Or contact us at:

Telephone: 1-888-365-2230

Email: canadasupport@midea.com

If outside the 50 States of the United States or Canada, contact your authorized Midea dealer to determine whether another warranty applies.

1 YEAR PARTS AND LABOR

WHAT IS COVERED

FIRST YEAR LIMITED WARRANTY (PARTS AND LABOR)

Midea will repair or replace, without charge, any defects due to faulty materials or workmanship for one full year from the date of delivery. For further detail of warranty coverage and warranty repair information, visit www.midea.com or call 1-866-646-4332 (USA) / 1-888-365-2230(CANADA).

Consumer will be responsible for:

- Diagnostics, removal, transportation and reinstallation cost required because of service.
- Costs of service calls that are a result of items listed under **NORMAL RESPONSIBILITIES OF THE CONSUMER****

NORMAL RESPONSIBILITIES OF THE CONSUMER**

This warranty applies only to products in ordinary household use, and the consumer is responsible for the items listed below:

1. Proper use of the appliance in accordance with the instructions provided with the product.
2. Routine maintenance and cleaning necessary to keep the good working condition.
3. Proper installation by an authorized service professional in accordance with instructions provided with the appliance and in accordance with all local plumbing, electrical and / or gas codes.
4. Proper connection to a grounded power supply of sufficient voltage, replacement of blown fuses, repair of loosened connections or defects in house wiring.
5. Expenses for making the appliance accessible for servicing.
6. Damages to finish after installation.

YOUR SOLE AND EXCLUSIVE REMEDY UNDER THIS LIMITED WARRANTY SHALL BE PRODUCT REPAIR OR REPLACEMENT AS PROVIDED HEREIN. Service must be provided by a Midea designated service company. This limited warranty is valid only in the 50 States of the United States or Canada and applies only when the major appliance is used in the country in which it was purchased. This limited warranty is effective from the date of original consumer purchase. Proof of original purchase date is required to obtain service under this limited warranty.

EN



WHAT IS NOT COVERED

1. Failure caused by damage to the unit while in your possession (other than damage caused by defect or malfunction), by its improper installation, or by unreasonable use of the product, including without limitation, failure to provide reasonable and necessary maintenance or to follow the written Installation and Instruction Manual.
2. Products purchased “as-is” or refurbished are not covered by this warranty.
3. Food loss caused by refrigerator or freezer failure.
4. Service calls to repair or replace consumables such as water filters, light bulbs, air filters etc., or handles, knobs and other cosmetic parts.
5. Product that has been transferred from its original owner.
6. Interior or exterior rust on the unit.
7. Damages caused by services performed by persons other than authorized Midea servicers; use of parts other than Midea replacement parts; obtained from persons other than such Midea customer service; or external causes such as abuse, misuse, inadequate power supply or acts of God.
8. Service calls resulting from improper installation of your product.
9. Service calls to instruct you on the use of your product.
10. Surcharges including, but not limited to, any after hour, weekend, or holiday service calls, tolls, ferry trip charges, or mileage expense for service calls to remote areas, including the state of Alaska.
11. If the unit is put to commercial, business, rental, or other use or application other than for consumer use, we make no warranties, express or implied, including but not limited to, any implied warranty of merchantability or fitness for particular use or purpose.
12. Product that has been removed outside the USA or Canada.
13. Products without original serial numbers or products that have serial numbers which have been altered or cannot be readily determined.

EN

NOTE: Some states do not allow the exclusion or limitation of incidental or consequential damages. So this limitation or exclusion may not apply to you.

The cost of repair or replacement under these excluded circumstances shall be borne by the customer.

DISCLAIMER OF IMPLIED WARRANTIES

IMPLIED WARRANTIES, INCLUDING ANY IMPLIED WARRANTY OF MERCHANTABILITY OR IMPLIED WARRANTY OF FITNESS FOR A PARTICULAR PURPOSE, ARE LIMITED TO ONE YEAR OR THE SHORTEST PERIOD ALLOWED BY LAW. Some states and provinces do not allow limitations on the duration of implied warranties of merchantability or fitness, so this limitation may not apply to you. This warranty gives you specific legal rights, and you also may have other rights that vary from state to state or province to province.

DISCLAIMER OF REPRESENTATIONS OUTSIDE OF WARRANTY

Midea makes no representations about the quality, durability, or need for service or repair of this major appliance other than the representations contained in this warranty. If you want a longer or more comprehensive warranty than the limited warranty that comes with this major appliance, you should ask Midea or your retailer about buying an extended warranty.

LIMITATION OF REMEDIES; EXCLUSION OF INCIDENTAL AND CONSEQUENTIAL DAMAGES

YOUR SOLE AND EXCLUSIVE REMEDY UNDER THIS LIMITED WARRANTY SHALL BE PRODUCT REPAIR AS PROVIDED HEREIN. MIDEA SHALL NOT BE LIABLE FOR INCIDENTAL OR CONSEQUENTIAL DAMAGES. Some states and provinces do not allow the exclusion or limitation of incidental or consequential damages, so these limitations and exclusions may not apply to you. This warranty gives you specific legal rights, and you also may have other rights that vary from state to state or province to province.

Prolongation gratuite de 3 mois de la période de garantie limitée initiale !* Vous pouvez d'envoyer une photo de votre preuve d'achat par SMS à :
1-844-224-1614

*L'extension de garantie est valable pour les trois mois suivant immédiatement la fin de la période de garantie initiale du produit.

LETTRÉ DE REMERCIEMENT

Merci d'avoir choisi Midea ! Avant d'utiliser votre nouveau produit Midea, veuillez lire attentivement ce manuel afin de vous assurer que vous savez comment utiliser les caractéristiques et fonctions de votre nouvel appareil en toute sécurité.

TABLE DES MATIÈRES

LETTRÉ DE REMERCIEMENT	01
SPÉCIFICATIONS	02
PRÉSENTATION DU PRODUIT	03
INSTALLATION DU PRODUIT	04
INSTRUCTIONS D'OPÉRATION	08
NETTOYAGE ET ENTRETIEN	09
DÉPANNAGE	10
GARANTIE	11

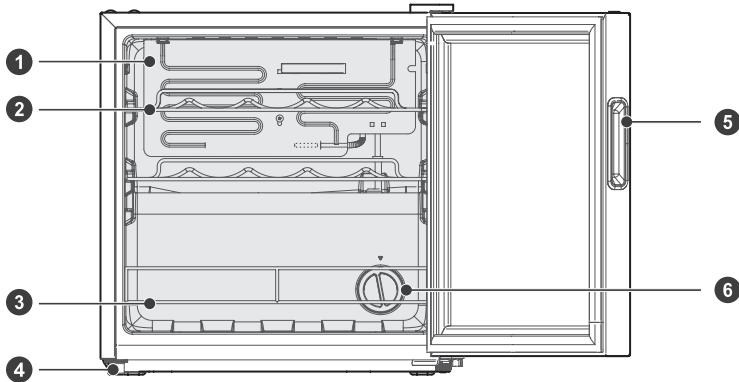
SPÉCIFICATIONS

Modèle du produit	MRW14B2ABB
Volume du compartiment de stockage des aliments frais	43L (1,5 pieds cubes)
Tension nominale	AC115V
Courant nominal	60Hz
Dimension globale (H x L x P)	19,5 x 18,5 x 17,3 pouces

FR

PRÉSENTATION DU PRODUIT

Noms des composants



- 1 Évaporateur de réfrigérateur à rouleaux
- 2 Étagère
- 3 Bande de colonne en acier

- 4 Pied de nivellement
- 5 Poignée de porte
- 6 Bouton de thermostat

● ATTENTION

La figure ci-dessus est seulement à titre indicatif. La configuration réelle dépendra du produit physique ou de la déclaration du distributeur.

INSTALLATION DU PRODUIT

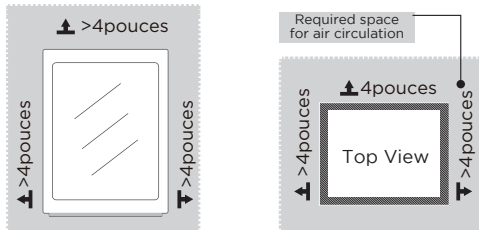
Instructions d'installation

Trouvez un emplacement approprié

- Ce mini réfrigérateur est conçu pour être posé librement et ne doit pas être encastré.
- Le mini réfrigérateur doit être placé dans un endroit intérieur et bien ventilé ; le sol doit être plat et solide.
- Tenez à l'écart de la chaleur et évitez la lumière directe du soleil. Ne placez pas le mini réfrigérateur dans les endroits humides ou mouillés pour éviter la rouille ou la réduction de l'effet isolant.

Dimensions et dégagements

- Une distance trop faible par rapport aux éléments adjacents peut entraîner une dégradation de la capacité de congélation et une augmentation des coûts d'électricité. Prévoyez plus de 4 pouces de dégagement par rapport à chaque mur adjacent lors de l'installation de l'appareil.



Fournissez une alimentation électrique appropriée

- Vérifiez votre source d'alimentation locale. Ce mini réfrigérateur nécessite une alimentation électrique **AC 115V, 60 Hz**.
- Utilisez un réceptacle qui accepte la broche de mise à la terre. Le câble d'alimentation est équipé d'une fiche à 3 broches (mise à la terre) qui s'adapte à une prise murale standard à 3 broches (mise à la terre) afin de minimiser les risques de chocs électriques causés par ce mini réfrigérateur.

ATTENTION

Le mini réfrigérateur doit toujours être branché sur sa propre prise électrique individuelle dont la tension correspond à celle de la plaque signalétique.

Ne débranchez jamais le mini réfrigérateur en tirant sur le câble d'alimentation.

Saisissez toujours fermement la fiche et retirez-la directement de la prise.

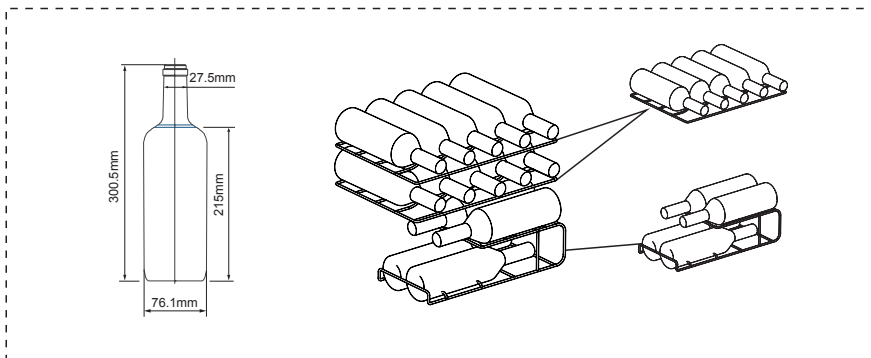
Lorsque vous placez l'appareil, veillez à ce que le câble d'alimentation ne soit pas coincé ou endommagé.

Commencer à utiliser

- Au premier démarrage, le mini réfrigérateur doit rester une demi-heure avant d'être branché à l'alimentation.
- Le mini réfrigérateur doit fonctionner pendant 2 à 3 heures avant de charger des aliments frais ou surgelés ; le mini réfrigérateur doit fonctionner pendant plus de 4 heures en été à l'avance étant donné que la température ambiante est élevée.

Disposition des bouteilles

- Ne laissez pas la bouteille toucher l'arrière du mini réfrigérateur afin de maintenir une bonne circulation d'air dans le mini réfrigérateur.
- La capacité de stockage des bouteilles dans l'armoire à vin est basée sur la taille de bouteille indiquée ci-dessous. Une bouteille surdimensionnée peut avoir un impact sur le nombre de bouteilles stockées dans l'armoire à vin.



ATTENTION

La figure ci-dessus est seulement à titre indicatif. La configuration réelle dépendra du produit physique ou de la déclaration du distributeur.

FR

Conseils pour économiser l'énergie

- Le mini réfrigérateur doit être placé dans une pièce sèche et ventilée. Le mini réfrigérateur à boissons ne peut pas être placé sous la lumière directe du soleil ou à proximité d'une source de chaleur (telle qu'un radiateur, un poêle, etc.), et un panneau d'isolation approprié doit être appliqué si nécessaire.
- Essayez de raccourcir le temps d'ouverture de la porte du mini réfrigérateur.

Compétences pratiques pour le stockage du vin

- Ne conservez pas le vin en bouteille par boîte ou caisse dans le réfrigérateur.
- Le bouchon des bouteilles vieilles doit toujours être trempé dans le vin lorsqu'il est mis au mini réfrigérateur. Il ne doit pas y avoir d'espace d'air entre le vin et le bouchon.
- Une étagère à bouteilles de type ouvert est utile, car elle ne coupe pas la circulation de l'air. L'humidité de l'air qui s'est condensée sur la bouteille peut être rapidement séchée.
- Le vin doit être conservé avant d'être bu : Par exemple, mettez du vin rosé sur la table 2 à 5 heures avant de le boire et du vin rouge 4 à 5 heures pour atteindre une température de consommation appropriée. Le vin blanc, au contraire, peut être servi directement sur la table. Le champagne doit toujours être conservé dans le mini réfrigérateur et sorti uniquement avant d'être bu.
- Veuillez noter que la température du vin est toujours inférieure à la température de consommation idéale, car la température augmente immédiatement de 1 à 2°C lorsqu'il est versé dans le gobelet.

Température de consommation

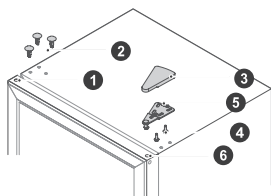
- Le goût du vin dépend de la bonne température de service ; c'est elle qui détermine sa saveur.
- Nous suggérons que la température du vin atteigne le degré suivant au moment de le verser.

FR

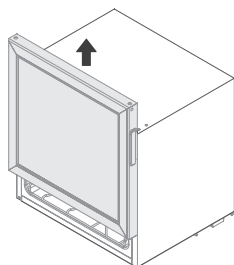
Types de vins	Température de consommation
Vin rouge de Bordeaux	18°C
Vin rouge sec de la famille Louis/Barolo	17°C
Vin rouge de Bourgogne/Vin rouge de Bordeaux	16°C
Porto	15°C
Jeune Rouge Bourgogne	14°C
Vin rouge jeune	12°C
Beaujolais jeune/tout vin blanc avec peu de sucre résiduel	11°C
Vieux vins blancs/Chardonnay	10°C
Sherry	9°C
Jeunes vins blancs de millésime tardif	8°C
Vins blancs Loire/Entre-Deux-Mers	7°C

Inverser le mouvement de la porte

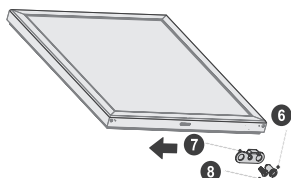
1. Changez l'emplacement d'installation de la charnière supérieure (5) de l'armoire à boissons, puis le sens d'ouverture de la porte pourrait être modifié à volonté. Veuillez suivre les instructions suivantes pour le changement du sens d'ouverture de la porte de l'armoire à boissons (par exemple : de la porte pour droitiers à la porte pour gauchers) : fermer la porte vitrée de l'armoire à boissons, utiliser une lame pour retirer le rivet (2) avec précaution, desserrer le couvercle de montage (3) de la charnière de porte et les trois boulons de positionnement (4) et retirer la charnière supérieure (5).



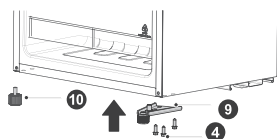
2. Ouvrez la porte de l'armoire à boissons et détachez la porte en verre en faisant très attention.



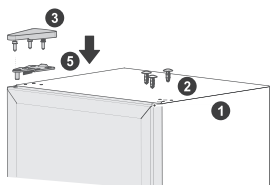
3. Démontez le manchon de l'axe de la porte (6) à la partie inférieure de la porte vitrée, les vis de blocage du butoir de porte (8) et le butoir de porte (7), et fixez-les sur le côté gauche.



4. Démontez le pied de nivellement (10), les boulons de positionnement (4) et la charnière inférieure (9), puis échangez les pièces des côtés droit et gauche et utilisez ensuite la méthode inverse pour installer le pied de nivellement et les boulons de positionnement.



5. Placez la porte vitrée susmentionnée sur la charnière inférieure, installez la douille de l'axe de la porte (6) en arrière et fixez la charnière supérieure (5). Alignez la porte avec le meuble et vérifiez l'étanchéité du joint, puis installez tous les ornements (1)(2).



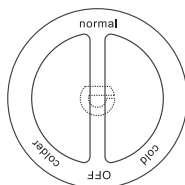
FR

● ATTENTION

La figure ci-dessus est seulement à titre indicatif. La configuration réelle dépendra du produit physique ou de la déclaration du distributeur.

INSTRUCTIONS D'OPÉRATION

Panneau de commande



Après avoir allumé le mini réfrigérateur, on peut tourner le bouton du thermostat pour régler le niveau de température intérieure

- « Cold (Froid) » signifie le réglage le plus chaud.
- « Colder (Plus froid) » signifie le réglage le plus froid.
- « OFF (ARRÊT) » signifie l'arrêt de fonctionnement.

* Le panneau de commande réel peut différer d'un modèle à l'autre.

● ATTENTION

La plage de réglage de la température centigrade est de 5°C -18°C et la plage de réglage de la température Fahrenheit est de 41 °F -64 °F .

- La température dans le mini réfrigérateur est de 41 à 64°F, uniquement utilisée pour stocker du vin en bouteille non ouvert (vin rouge, vin blanc, vin rosé).
- Ne placez pas d'aliments dans le mini réfrigérateur, pour éviter toute contamination bactérienne.
- Veuillez garder l'intérieur de l'armoire à vin sec, veuillez boire du vin en bouteille pendant la période de validité.

NETTOYAGE ET ENTRETIEN

Arrêter l'utilisation du mini réfrigérateur

Si le mini réfrigérateur est resté inutilisé pendant une longue période, s'il vous plaît :

1. Débranchez le mini réfrigérateur ;
2. Nettoyez le mini réfrigérateur ;
3. Gardez la porte du mini réfrigérateur ouverte.

Nettoyer le mini réfrigérateur

- Les poussières derrière du mini réfrigérateur et au sol doivent être nettoyées en temps opportun pour améliorer l'effet de refroidissement et économiser l'énergie.
- Vérifiez régulièrement le joint de la porte pour s'assurer qu'il n'y a pas de débris. Nettoyez le joint de la porte avec un chiffon doux imbibé d'eau savonneuse ou de détergent dilué.
- L'intérieur du mini réfrigérateur doit être nettoyé régulièrement pour éviter les odeurs.
- Veuillez éteindre l'appareil avant de le nettoyer, retirer les boissons, les étagères, etc.
- Nettoyez l'intérieur du mini réfrigérateur avec un chiffon doux ou une éponge, en ajoutant deux cuillères de bicarbonate de sodium et un litre d'eau tiède. Rincez ensuite à l'eau et séchez avec un chiffon doux. Après le nettoyage, ouvrez la porte et laissez l'appareil sécher naturellement avant de mettre l'appareil sous tension.
- Pour les zones difficiles à nettoyer dans le mini réfrigérateur (telles que les sandwichs étroits, les fissures ou les coins), il est recommandé de les essuyer régulièrement avec un chiffon doux, une brosse douce, etc. et si nécessaire, à l'aide de certains outils auxiliaires (tels que des bâtons minces) pour éviter toute accumulation de contaminants ou de bactéries dans ces zones.
- N'utilisez pas de savons, de détergents, de nettoyeurs en spray, etc. pour nettoyer l'intérieur de votre mini réfrigérateur, car ils peuvent créer des odeurs ou une contamination.
- Nettoyez les tablettes avec un chiffon doux imbibé d'eau savonneuse ou de détergent dilué. Rincez ensuite à l'eau et séchez avec un chiffon doux ou naturellement.
- Le casier à vin en bois ne doit pas être directement immergé dans un liquide pour éviter les fissures ou les moisissures après l'humidité. Le casier à vin en bois est nettoyé avec un chiffon doux et sec. Le casier à vin en bois fortement contaminé doit être nettoyé avec un chiffon doux et essoré, puis séché naturellement.
- Essuyez la surface extérieure du mini réfrigérateur avec un chiffon doux humecté d'eau savonneuse, de détergent, etc. Ne frottez pas ou ne rayez pas la surface de la porte en verre pour éviter que la porte ne soit cassée ou rayée.
- N'utilisez pas de brosses dures, de billes d'acier propres, de brosses métalliques, d'abrasifs (tels que les dentifrices), de solvants organiques (tels que l'alcool, l'acétone, l'huile de banane, etc.), d'eau bouillante, d'articles acides ou alcalins, qui pourraient endommager la surface et l'intérieur du mini réfrigérateur. L'eau bouillante et les solvants organiques tels que le benzène peuvent déformer ou endommager les pièces en plastique.
- Ne rincez pas directement avec de l'eau ou d'autres liquides pendant le nettoyage pour éviter les courts-circuits ou d'affecter l'isolement électrique après l'immersion. L'eau ne doit pas imprégner les éléments de commande et le système d'éclairage de la porte vitrée.

DÉPANNAGE

Les utilisateurs peuvent résoudre les problèmes simples suivants. Veuillez appeler le service après-vente si les problèmes ne sont pas résolus.

Problème	Raison possible
Hors service	• Si le mini réfrigérateur est branché et alimenté en électricité
	• Basse tension
	• Coupure d'électricité ou circuit de déclenchement.
Fonctionnement à long terme du compresseur	• Il est normal que le mini réfrigérateur fonctionne plus longtemps en été lorsque la température ambiante est plus élevée
	• Ne mettez pas trop de boissons dans le mini réfrigérateur en même temps ;
	• Ouverture fréquente de la porte du mini réfrigérateur.
La lumière ne marche pas	• Vérifiez si le mini réfrigérateur est connecté à l'alimentation, si le voyant est endommagé.
Bruits forts	• Vérifiez si le plancher est plat, si l'emplacement du mini réfrigérateur est stable ;
	• Vérifiez si les accessoires du mini réfrigérateur sont correctement montés.
Surchauffe sur la paroi latérale	• La coque du mini réfrigérateur peut émettre de la chaleur pendant le fonctionnement en particulier en été, cela est causé par le rayonnement du condenseur, et c'est un phénomène normal.
Condensation de surface	• Condensation : un phénomène de condensation sera détecté sur la surface extérieure et les joints de la porte du mini réfrigérateur lorsque l'humidité ambiante est élevée, il s'agit d'un phénomène normal, et après avoir essuyé avec une serviette, la température de consigne de l'appareil s'élève correctement.
Bruit de flux d'air Bourdonnement Cliquetis	• Les réfrigérants circulent dans les conduites de réfrigérant, ce qui produira une éruption de bruit et des grognements. Ce phénomène est normal et n'affecte pas l'effet de refroidissement.
	• Le fonctionnement du compresseur d'air produit un bourdonnement, en particulier lors du démarrage ou de l'arrêt.
	• L'électrovanne ou la vanne de commutation électrique émet un bruit de clic, ce qui est un phénomène normal et n'affecte pas le fonctionnement.

ATTACHEZ VOTRE REÇU AUX PRÉSENTES. UNE PREUVE D'ACHAT EST REQUISE POUR OBTENIR UN SERVICE TECHNIQUE COUVERT PAR LA GARANTIE.



Veuillez disposer des renseignements suivants lorsque vous appelez le Centre des services à la clientèle :

- Vos nom, adresse et numéro de téléphone
- Le numéro de modèle et le numéro de série de votre appareil
- Une description claire et détaillée du problème
- Une preuve d'achat, notamment le nom et l'adresse du concessionnaire ou du détaillant

SI VOUS AVEZ BESOIN D'UN SERVICE TECHNIQUE :

1. Avant de communiquer avec nous pour organiser un service technique, déterminez si votre produit doit être réparé. Quelques problèmes peuvent être résolus sans service technique. Prenez quelques minutes pour revoir la section du Diagnostic de pannes du guide de l'utilisateur, ou consultez <http://us.Midea.com/support>.
2. Tout service technique couvert par la garantie est assuré exclusivement par nos prestataires de service technique Midea autorisés, aux États-Unis et au Canada.

Services à la clientèle Midea

États-Unis

<https://www.midea.com/us/support>

Ou veuillez nous contacter par:

Téléphone: 1-866-646-4332

Courriel : customerserviceusa@midea.com

Canada

<https://www.midea.com/ca/support>

Ou veuillez nous contacter par:

Téléphone: 1-888-365-2230

Courriel : canadasupport@midea.com

Si vous résidez hors des 50 États des États-Unis ou hors du Canada, communiquez avec votre concessionnaire Midea autorisé pour déterminer si une autre garantie s'applique.

1 AN PIÈCES ET SERVICE

CE QUE LA GARANTIE COUVRE

GARANTIE LIMITÉE POUR LA PREMIÈRE ANNÉE (PIÈCES ET MAIN-D'ŒUVRE)

Midea réparera ou remplacera, sans frais, toute défaillance provoquée par une fabrication ou des matériaux défectueux, pendant un an à compter de la date de livraison. Pour de plus amples renseignements sur la couverture de la garantie et les réparations sous garantie, visitez www.midea.com ou composez **1 866 646-4332 (États-Unis) / 1-888-365-2230(Canada)**.

Le consommateur sera responsable des :

- Coûts associés aux diagnostics, à la dépose, au transport et à la réinstallation suite à l'entretien.
- Coûts d'entretien résultant des points figurant sous **RESPONSABILITÉS NORMALES DU CONSOMMATEUR****

RESPONSABILITÉS NORMALES DU CONSOMMATEUR**

Cette garantie s'applique uniquement aux produits faisant l'objet d'une utilisation résidentielle normale, et le consommateur est responsable des points suivants :

1. Utilisation appropriée de l'appareil, respectant les directives fournies avec le produit.
2. Entretien périodique et nettoyage requis pour maintenir l'appareil en bon état de fonctionnement.
3. Installation appropriée par un professionnel agréé, respectant les directives fournies avec l'appareil et les codes municipaux en matière de plomberie, électricité et/ou gaz.
4. Branchement approprié à une prise électrique mise à la masse, fournissant un courant suffisant; remplacement des fusibles brûlés; réparation des connexions desserrées ou des défauts au niveau des installations électriques.
5. Dépenses requises pour rendre l'appareil accessible pour l'entretien.
6. Dommages sur le revêtement suite à l'installation.

VOTRE REMÈDE UNIQUE ET EXCLUSIF EN VERTU DE LA PRÉSENTE GARANTIE LIMITÉE EST LA RÉPARATION OU LE REMPLACEMENT DU PRODUIT, COMME PRÉVU AUX PRÉSENTES. Le service technique doit être assuré par une entreprise d'entretien désignée par Midea. La garantie limitée est valide uniquement dans les 50 États des États-Unis ou au Canada et s'applique uniquement si l'appareil ménager est utilisé dans le pays où il a été acheté. La présente garantie limitée entre en vigueur à compter de la date de l'achat original de l'appareil ménager par le consommateur. Une preuve de la date de l'achat original doit être présentée pour obtenir un service technique en vertu de la présente garantie limitée.

CE QUE LA GARANTIE NE COUVRE PAS

1. Une défectuosité causée par un dommage survenu depuis que l'appareil est en votre possession (autre que les dommages causés par un défaut ou un mauvais fonctionnement), par une installation inadéquate, ou par une utilisation non raisonnable du produit, incluant et sans s'y limiter, le défaut d'assurer un entretien raisonnable et nécessaire ou de suivre les directives écrites et de lire le manuel d'instructions.
2. Les produits achetés "tels quels" ou les produits réusinés ne sont pas couverts par cette garantie.
3. La perte de nourriture suite à une défectuosité du réfrigérateur ou du congélateur.
4. Les visites d'entretien pour réparer ou remplacer les pièces consommables comme les filtres hydrauliques, les ampoules, les filtres pneumatiques, etc., ou les pointées, les boutons ou autres pièces cosmétiques.
5. Les produits ayant été transférés de leur propriétaire original.
6. La rouille à l'extérieur ou à l'intérieur de l'unité.
7. Les dommages causés par l'entretien effectué par une personne autre qu'un professionnel agréé Midea; l'utilisation de pièces autres que les pièces de rechange Midea ou obtenues par des personnes autres que le service à la clientèle Midea; les causes externes comme l'abus, la mauvaise utilisation, l'alimentation inadéquate ou tout événement de force majeure.
8. L'entretien résultant d'une installation inappropriée de votre produit.
9. La visite servant à vous enseigner l'utilisation de votre produit.
10. Les suppléments, incluant, mais sans s'y limiter, tout appel de service après les heures normales, les week-ends ou les jours fériés, les péages, les frais de transport, le kilométrage pour tout appel de service dans une région éloignée, y compris en Alaska.
11. Si cette unité est utilisée pour des raisons commerciales, locatives ou autre application qui n'est pas vouée à une utilisation résidentielle, nous ne formulons aucune garantie, explicite ou implicite de valeur marchande ou d'adéquation à un usage particulier.
12. Si le produit a été déplacé hors des États-Unis ou du Canada.
13. Si le produit n'affiche pas le numéro de série original ou si ce dernier a été altéré ou ne peut être facilement reconnu.

REMARQUE : Certains états n'acceptent pas l'exclusion ou la restriction des dommages indirects ou accessoires. Ainsi, cette exclusion ou restriction pourrait ne pas s'appliquer à vous.

Dans ces circonstances exclues, le coût des réparations ou du remplacement du produit sera assumé par le client.

DÉNÉGATION DE GARANTIES IMPLICITES

LES GARANTIES IMPLICITES, Y COMPRIS TOUTE GARANTIE IMPLICITE DE QUALITÉ MARCHANDE OU GARANTIE IMPLICITE D'APTITUDE À UN EMPLOI PARTICULIER, SONT LIMITÉES À UNE PÉRIODE D'UN AN OU À LA PÉRIODE LA PLUS COURTE PERMISE PAR LA LOI. Quelques états et provinces ne permettent pas l'imposition d'une limite à la durée des garanties implicites de qualité marchande ou d'aptitude à l'emploi et, par conséquent, il est possible que cette limitation ne vous concerne pas. La présente garantie vous confère certains droits légaux. Vous pouvez également jouir d'autres droits, lesquels varient d'un état à l'autre ou d'une province à l'autre.

DÉNÉGATION DE DÉCLARATIONS NE RELEVANT PAS DE LA GARANTIE

Midea ne fait aucune déclaration concernant la qualité ou la durabilité de cet appareil ménager, ni son besoin de service technique ou de réparation, à part les déclarations formulées dans la présente garantie. Si vous souhaitez une garantie plus longue ou plus complète que la garantie limitée qui accompagne cet appareil ménager, veuillez communiquer avec Midea ou votre détaillant au sujet de l'achat d'une prolongation de garantie.

LIMITATION DES REMÈDES; EXCLUSION DES DOMMAGES ACCESSOIRES ET DES DOMMAGES INDIRECTS

VOUS REMÈDE UNIQUE ET EXCLUSIF EN VERTU DE LA PRÉSENTE GARANTIE LIMITÉE EST LA RÉPARATION DU PRODUIT PAR MIDEA, COMME PRÉVU AUX PRÉSENTES. MIDEA N'EST PAS RESPONSABLE DES DOMMAGES ACCESSOIRES ET INDIRECTS. Quelques états et provinces ne permettent pas l'exclusion ou la limitation de dommages accessoires ou indirects et, par conséquent, il est possible que ces limitations et ces exclusions ne vous concernent pas. La présente garantie vous confère certains droits légaux. Vous pouvez également jouir d'autres droits, lesquels varient d'un état à l'autre ou d'une province à l'autre.



make yourself at home



www.midea.com

© Midea 2022 all rights reserved