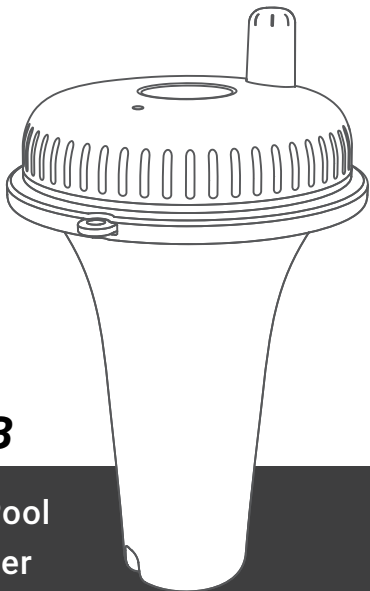


INKBIRD



IBS-P02B

Bluetooth Pool
Thermometer



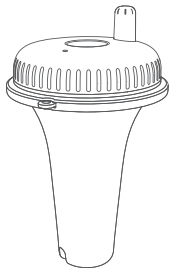
Warm tips

- To quickly jump to a specific chapter page, click on the relevant text on the contents page.
- You can also use the thumbnail or document outline in the top left corner to quickly find a specific page.

CONTENTS

<i>01</i>	Introduction	4
<i>02</i>	Parameters	5
<i>03</i>	Basic Operation	5
<i>04</i>	Battery Installation of Pool Thermometer	7
<i>05</i>	APP Installation & Connection	10
<i>06</i>	FCC Requirement	13

1. Introduction



Pool Thermometer



Battery Level

Current Detected Temperature

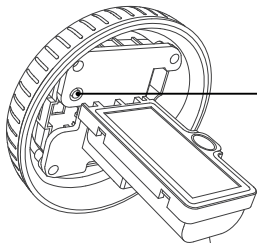
2. Parameters

- Battery: 2*AAA 1.5V Battery(not included)
- Temperature Measurement Range: $-40^{\circ}\text{C}\sim 70^{\circ}\text{C}/-40^{\circ}\text{F}\sim 158^{\circ}\text{F}$
- Temperature Measurement Accuracy: $\pm 1^{\circ}\text{C}/\pm 1.8^{\circ}\text{F}$
- Temperature Display Accuracy: $0.1^{\circ}\text{C}/\pm 0.1^{\circ}\text{F}$
- Waterproof Level: IPX7
- Temperature Sampling Period: 5 seconds
- Warranty: 1 year

3. Basic Operation

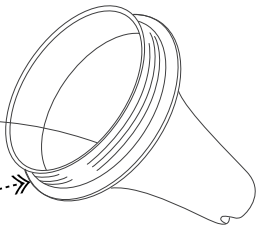
3.1 Buttons

- Unscrew the cover of the pool thermometer, as shown below.



°C/°F Button

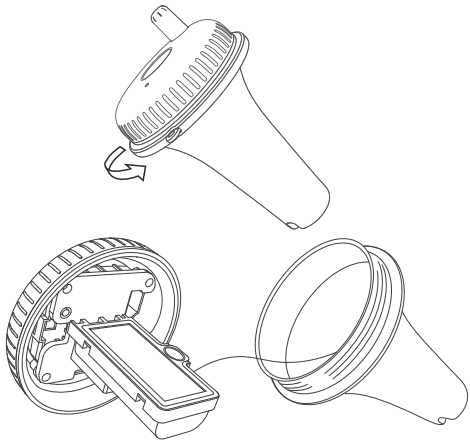
°C/°F: Press the button to switch the temperature unit between °C and °F.



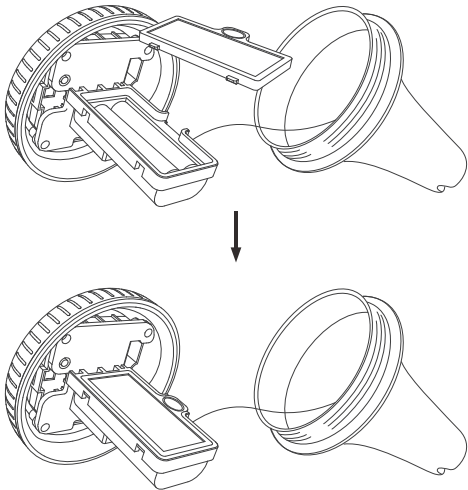
The green part is a waterproof gasket, which should not be removed at any time!

4. Battery Installation of Pool Thermometer

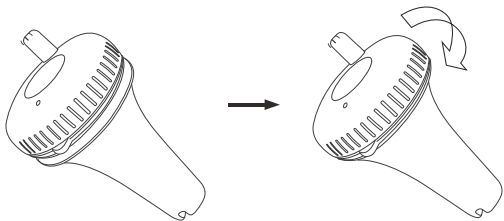
- Unscrew the lid of the pool thermometer as shown below.



- Remove the battery cover, install 2 AAA batteries, put the cover back.



- Make sure the silicone waterproof ring is well placed, then close and tighten the lid of the pool thermometer.



5. APP Installation & Connection



- 5.1** Search the INKBIRD App from Google Play or App Store to get it for free, or you can scan the QR code below to download it directly.

NOTE:

1. Your iOS devices must be running iOS 12.0 or above to download the app smoothly.
2. Your android devices must be running android 7.1 or above to download the app smoothly.
3. APP Location Permission Requirement: We need to obtain your location information to discover and add nearby devices. INKBIRD promises to keep your location information strictly confidential. And your location information will only be used for the location function of the App and will not be collected, used, or disclosed to any third party. Your privacy is very important to us. We will abide by relevant laws and regulations and take reasonable security measures to protect your information security.

5.2 Registration

Step1: Registering an account is necessary before using the INKBIRD app for the first time.

Step2: Open the app, select your Country/Region, and a verification code will be sent to you.

Step3: Enter the verification code to confirm your identity, and the registration is complete.

5.3 How to Connect

Open the INKBIRD app and Click “+” on the top right corner to add a device. Then, follow the app instructions to complete the connection. Be careful to put the device as close as possible to the smartphone during the connection process.

6. FCC Requirement

Changes or modifications not expressly approved by the party responsible for compliance could void the user's authority to operate the equipment.

This device complies with Part 15 of the FCC Rules. Operation is subject to the following two conditions:

- (1) this device may not cause harmful interference, and
- (2) this device must accept any interference received, including interference that may cause undesired operation.

Note: This equipment has been tested and found to comply with the limits for a Class B digital device, pursuant to Part 15 of the FCC Rules. These limits are designed to provide reasonable protection against harmful interference in a residential installation. This equipment generates, uses, and can radiate radio frequency energy, and if not installed and used in accordance with the instructions, may cause harmful interference to radio communications. However, there is no guarantee that interference will not occur in a particular installation. If this equipment does cause harmful interference to radio or television reception, which can be determined by

turning the equipment off and on, the user is encouraged to try to correct the interference by one or more of the following measures:

- Reorient or relocate the receiving antenna.
- Increase the separation between the equipment and receiver.
- Connect the equipment into an outlet on a circuit different from that to which the receiver is connected.
- Consult the dealer or an experienced radio/TV technician for help.

Shenzhen Inkbird Technology Co.,Ltd.

support@inkbird.com

Consignor: Shenzhen Inkbird Technology Co., Ltd.

Office Address: Room 1803, Guowei Building, No.68 Guowei Road, Xianhu Community, Liantang, Luohu District, Shenzhen, China

Manufacturer: Shenzhen Inkbird Technology Co., Ltd.

Factory Address: 6th Floor, Building 713, Pengji Liantang Industrial Area, No.2 Pengxing Road, Luohu District, Shenzhen, China

