



Model: WX005-B

**THANK YOU**

We stand by our product and our customers. On behalf of the entire team, we sincerely thank you for your purchase.

**TABLE OF CONTENTS**

P2	1 Product Introduction
P3	1.1 Power Supply
	2.1 Battery Installation (Batteries NOT Included)
P4	2.2 Unlock the Safe with Key
	2.3 Setting Password
P5	2.4 Unlock the Safe with Password
	2.5 Setting Fingerprint
P6	2.6 Unlock the Safe with Fingerprint
	2.7 Delete Fingerprint and Password
	2.8 Lockout Mechanism
P7	3.1 LED Touch Screen
P8	3.2 LED Touch Screen-Set Time
P9	3.3 Wireless Charging
P10	3.4 Security the Safe
	3.5 Silent Mode

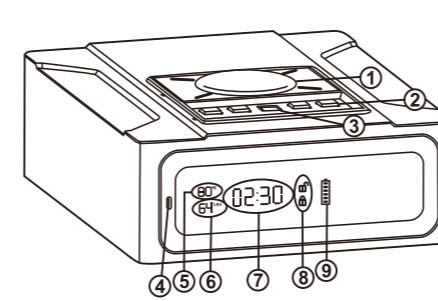
**PACKAGE INCLUDES**

Fingerprint Safe \*1  
Security Cable \*1  
Power Adapter \*1  
Key \*2  
USB-TypeC Cable \*1  
Rubber Pad \*4

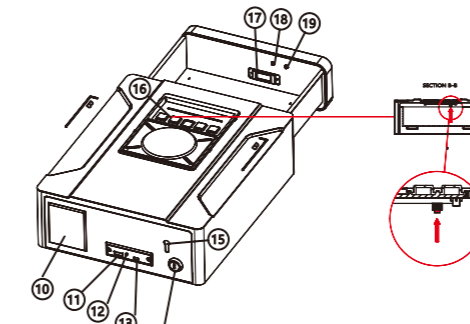
1

**1 PRODUCT INTRODUCTION**

The safe is a durable biometric access safe. Its sturdy structure and penetration-resistant design make it ideal for storing valuable items such as firearms, jewelry, cash, and personal belongings. The safe combines advanced security with comprehensive access control.



1 Wireless Charger Pad  
2 Digital Keypad  
3 Fingerprint Scanner  
4 Emergency Charge Port (Input Only)  
5 Temperature  
6 Humidity  
7 Time  
8 Lock Status  
9 Power Status



10 Battery Compartment  
11 USB Port (Output Only)  
12 Power Adapter Port  
13 Type-C Port (Output Only)  
14 Emergency Key Hole  
15 Security Cable Hole  
16 Setting Button (On The Top Part Inside The Box)  
17 Internal LED  
18 Display Program Button P2  
19 Display Program Button P1

2

**1.1 Power Supply**

**NOTE:** Please connect the power adapter before use. Batteries are only for emergency opening of the lock mechanism.

- The lock mechanism can be powered by either the batteries or the power adapter. With both source connected, the adapter will have the priority for supplying power to the lock.
- If you choose to use the safe with the adapter connected, you can skip battery installation in 2.1.

**2.1 BATTERY INSTALLATION**

- On the back of the safe, uncover the battery compartment.
- Load 4 AAA batteries (batteries not included) into the compartment.

**Caution:**

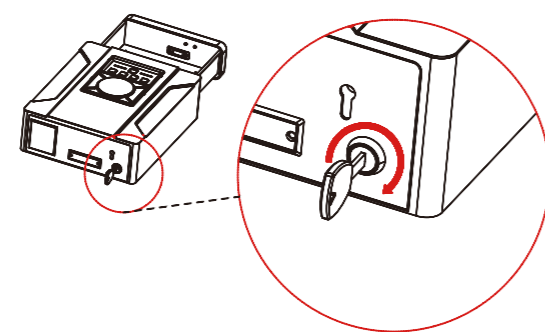
- Please use alkaline or carbon batteries.
- Do not mix old and new batteries.
- The safe cannot be powered by rechargeable batteries.

**Low Battery Warning**

When the battery voltage is lower than 4.8V, the buzzer beeps 5 times when opening the door. Please replace the battery as soon as possible.

**2.2 UNLOCK THE SAFE WITH KEY**

- Place the Emergency Key into the Emergency Key Hole on the back of the safe.
- Rotate the key and the door will open automatically.

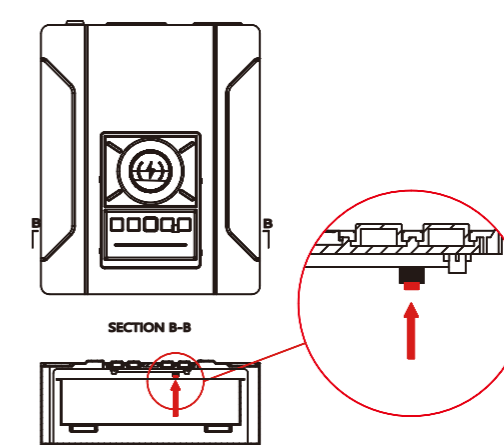


3

**2.3 SETTING PASSWORD**

- First-time users should change the **Default Password "1234"** as soon as possible to prevent unauthorized access to your safe.
- Setting a new password will overwrite the old one.
- Only one password can be set.

**STEP 1:** In standby mode, press and hold the **setting button** for 2 seconds until the buzzer beeps twice and the blue light flickers twice. And the password key light is on in the meantime.  
**STEP 2:** Enter a new password of 3-6 digits. Press the setting button again and the buzzer beeps twice, meaning the operation is successful. If three beeps are heard, the password setting is failed. Simply start over with STEP 1.

**2.4 UNLOCK THE SAFE WITH PASSWORD**

- Enter the password you have set, and the door of the safe will automatically open.

**2.5 SETTING FINGERPRINT**

**STEP 1:** In standby mode, press and hold the setting button for 2 seconds until the buzzer beeps twice and the blue light flickers twice. And the fingerprint area will light up.  
**STEP 2:** After 4 press, the buzzer will beep twice and all light will off. It means the fingerprint setting is successful.

**NOTE:**

The safe can store up to 50 fingerprints.  
The default password will be invalid after setting fingerprints.

4

**2.6 UNLOCK THE SAFE WITH FINGERPRINT**

- Press your finger which has already registered onto the fingerprint scanner, and the door of the safe will automatically open.

**2.7 DELETE FINGERPRINT AND PASSWORD**

- Press and hold the Setting Button for 6 seconds, during which the digital keypad will blink four times. Then the blue light turns off and all the fingerprints and passwords are deleted. The password will be reset to "1234".

**2.8 LOCKOUT MECHANISM**

The safe will be locked for 1 minute in the following two situations:

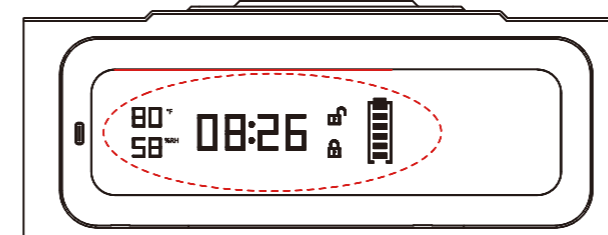
- If the password is entered incorrectly 3 times in a row.
- If the fingerprint is entered incorrectly 5 times in a row

The alarm and lockout will stop once the power is disconnected, and the safe can be unlocked by entering the correct password.

**Note:**

- Once the locking mechanism is triggered, all keypad buttons will be disabled.
- During the lockout period, entering the password or fingerprint will be ineffective.
- The keypad's BLUE light will flash and the safe will emit beeping sounds during the lockout period.

5

**3.1 LED TOUCH SCREEN**

Touch the display screen area to wake it up. It can sense and display the real time, temperature, humidity and door lock status.

**Battery Status:**

Power Supply for the Display

The display supports three power supply methods:

- Wireless Charging Adapter
- 4 Alkaline AAA Batteries
- Built-in Lithium Battery

**Power Source Priority**

When multiple power sources are connected simultaneously, the display will show the power level in the following order of priority:

- Power from the Wireless Charging Adapter.
- Power from the 4 AAA Alkaline Batteries.

**Note:** The Always-On Display feature is only available when the display is powered by the Wireless Charging Adapter. Factory Default Mode: In factory default mode, the display shows the power level of the built-in lithium battery.

**Important Note:** If the user fully charges the display's built-in battery but uses nearly depleted AAA batteries, the display will prioritize and show the power level of the AAA batteries. After removing these batteries, the display will revert to showing the lithium battery's power level.

**Recommendation**

For optimal use, we recommend connecting the Wireless Charging Adapter upon receipt of the product. This enables the following features simultaneously:

- Always-On Display functionality
- Wireless Charging Function for Mobile Phones
- Priority display of the stable power level from the Wireless Charging Adapter

6

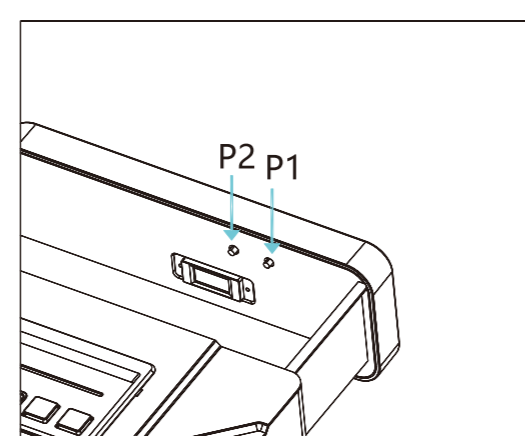
**3.2 LED TOUCH SCREEN-SET TIME****Setup LED display**

**STEP 1:** To enter the setting mode, long-press the P1 button. Use the P2 button to switch between options C1 to C6 for adjustment.

**STEP 2:** After selecting the mode you want to configure, short-press the P1 button again to enter that mode.

**STEP 3:** Once in the desired mode, press the P2 button to make your adjustments.

**STEP 4:** When all settings are correctly adjusted, long-press the P1 button to confirm the settings.

**LED Display: 6 Modes**

**C1** You can set the time in this mode.

**C2** Turn on the alarm to set the desired time. When the alarm clock rings, you can touch the screen to turn off the alarm sound.

**C3** Shows that the alarm is turned off (alarm confirmation).

**C4** The screen brightness can be adjusted to one of three levels.

**C5** Switch between 24-hour and 12-hour clock formats.

**C6** Keep the screen on or turn off the screen on function. [1-off] turns off the long brightness function. [1-on] turns it on.

**Note:** The long-lasting brightness function can only be maintained by connecting to a charging adapter.

7

**3.3 WIRELESS CHARGING**

**NOTE:** Wireless charging can only be used when the power adapter is connected. To ensure proper functionality of wireless charging, please use a thin phone case or remove the phone case altogether.

Place a smartphone with wireless charging capability on the wireless charger pad, and the wireless module will automatically detect the phone for charging. You can observe the charging symbol on the phone screen, indicating that the charging is in progress.

**3.4 SECURITY THE SAFE****Using Security Cable**

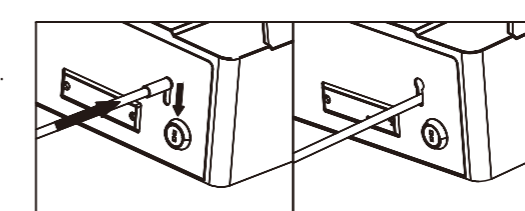
**STEP 1:** When the safe is in the unlocked state, loop the security cable around a secured object.

**STEP 2:** Run the end of the cable through the eye of the other end and pull tight around the object.

**STEP 3:** Open safe drawer and insert the clamped end of the security cable into the rear slot.

**STEP 4:** Slide the cable end all the way down.

**STEP 5:** Shut the safe drawer to lock the security cable in place.



**NOTE:** The security cable can only be inserted and removed while the safe drawer is open.

**3.5 SILENT MODE**

In standby mode, press and hold the NO. 4 numeric keypad for 4 seconds, and then the blue indicator light turns off. The mute setting is successful. Repeat the above step to turn on the sound again.

8

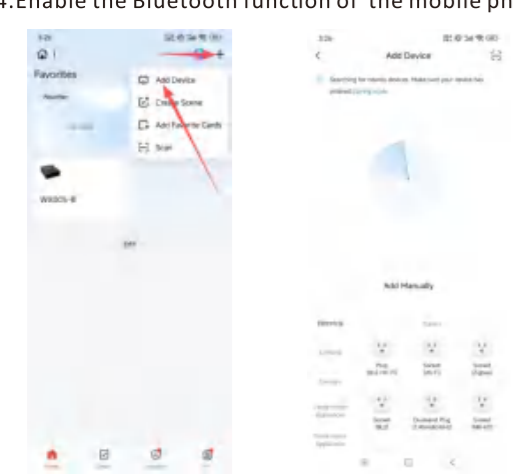
**4.1 USE THE BLUETOOTH APP TO CONTROL THE SAFE**

1. Direct search: Go to the app store, or go to the Google App Store to download "Tuya app".

2. Scan the QR code to download Tuya app

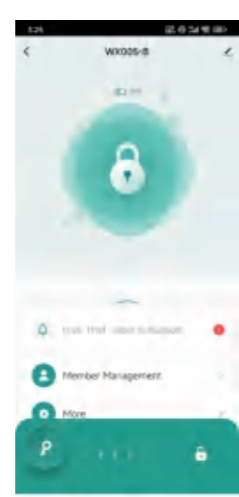


4. Enable the Bluetooth function of the mobile phone



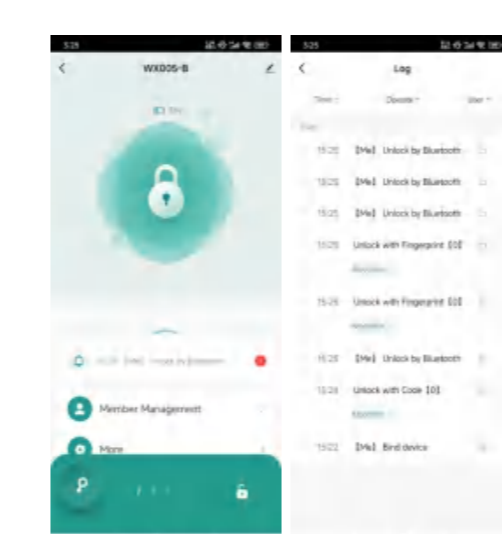
3. To enable the Bluetooth function, press the number 1 on the panel twice + the "Setting key". The blue light blinks, open the "+" in the upper right corner to add devices, and the devices that can be added automatically appear.

5. After pairing, the lock can be unlocked with one click, and the lock can be unlocked by sliding through the app.

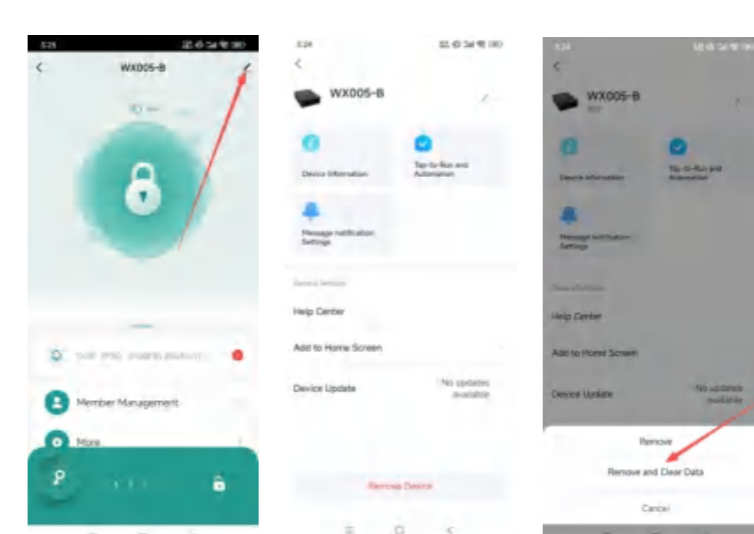


9

6. You can view the door opening record, electricity, error alarm and other information.



7. When you need to re-pair the account, perform the app to remove the device.



10

NOTE: This equipment has been tested and found to comply with the limits for a Class B digital device, pursuant to Part 15 of the FCC Rules. These limits are designed to provide reasonable protection against harmful interference in a residential installation. This equipment generates, uses and can radiate radio frequency energy and, if not installed and used in accordance with the instructions, may cause harmful interference to radio communications. However, there is no guarantee that interference will not occur in a particular installation.

If this equipment does cause harmful interference to radio or television reception, which can be determined by turning the equipment off and on, the user is encouraged to try to correct the interference by one or more of the following measures:

- Reorient or relocate the receiving antenna.
- Increase the separation between the equipment and receiver.
- Connect the equipment to a power outlet on a circuit different from that to which the receiver is connected.
- Consult the dealer or an experienced radio/TV technician for help.

Warning: changes or modifications not expressly approved by the party responsible for compliance could void the user's authority to operate the equipment.

Radiation Exposure Statement  
This equipment complies with FCC radiation exposure limits set forth for an uncontrolled environment.  
This equipment should be installed and operated with minimum distance 20cm between the radiator and your body.