

2022

Owner's Manual

SXS1000S4X
SXS1000S4XD

TALON

Read this manual carefully,
it contains important safety information.

Minimum recommended operator age: 16

Models sold in and used in California:

The removal or modification of evaporative emission-related parts on this OHRV is illegal. Violators may be subject to civil and/or criminal penalties as provided under California and federal law.



Part Number

 **HONDA**

This owner's manual should be considered a permanent part of the vehicle and should remain with the vehicle when it is resold.

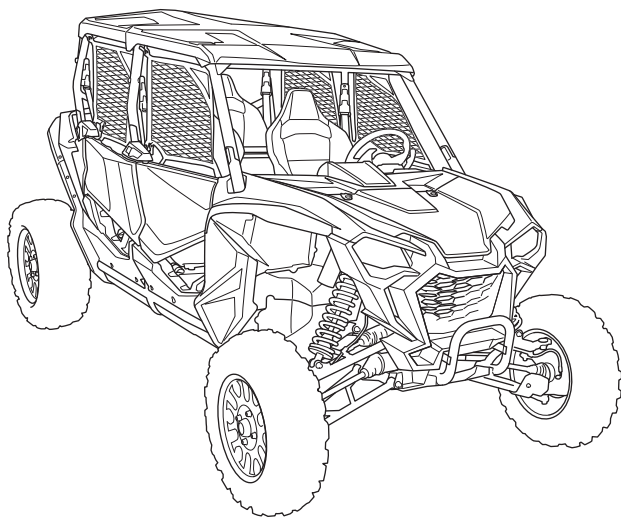
This publication includes the latest production information available before printing. Honda Motor Co., Ltd. reserves the right to make changes at any time without notice and without incurring any obligation.

No part of this publication may be reproduced without written permission.

This vehicle pictured in this owner's manual may not match your actual vehicle.

© Honda Motor Co., Ltd. 2021

2022
Honda TALON X
SXS1000S4X
SXS1000S4XD
OWNER'S MANUAL



Introduction

Congratulations on choosing your Honda Talon X. When you own a Honda, you're part of a worldwide family of satisfied customers—people who appreciate Honda's reputation for building quality into every product.

Before you begin driving your vehicle, we recommend that you read this owner's manual. It's full of facts, instructions, safety information, and helpful tips. To help you find what you are looking for, the manual contains a detailed list of contents at the beginning of each section and an alphabetical index at the back of the book.

To protect your investment, we urge you to keep your vehicle well maintained. Scheduled service is a must, of course, but it's also important to observe the break-in guidelines and perform all pre-drive and other periodic checks detailed in this manual.

As you read this manual, you will find information that is preceded by a **NOTICE** symbol. This information is intended to help you avoid damage to your Honda, other property, or the environment.

Be sure to read the Warranties Booklet (page 277) so you understand the coverages that protect your new Honda and are aware of your rights and responsibilities.

If you have any questions, or if you ever need special service or repairs, remember that your dealer knows your Honda SXS best and is dedicated to your complete satisfaction.

Please report any change of address or ownership to your dealer so we will be able to contact you concerning important product information.

You may also want to visit our website at www.powersports.honda.com.

Introduction

- The following codes in this manual indicate the country.

SXS1000S4X

A	United States of America - 49 states, Australia, New Zealand
AC	United States of America - 50 states (meets California)

SXS1000S4XD

VA	United States of America - 49 states, Australia, New Zealand
VAC	United States of America - 50 states (meets California)

- The illustrations herein are based on the SXS1000S4XD VAC type.

A Few Words About Safety


Your safety, and the safety of others, is very important. And operating your Honda safely is an important responsibility.

To help you make informed decisions about safety, we have provided operating procedures and other information on labels and in this manual. This information alerts you to potential hazards that could hurt you or others.

Of course, it is not possible to warn you about all hazards associated with operating or maintaining this vehicle. You must use your own good judgment.

You will find important safety information in a variety of forms, including:

Safety Labels — on the vehicle.

Safety Messages — boxed messages preceded by a safety alert symbol  and one of three signal words: **DANGER**, **WARNING**, or **CAUTION**.

These signal words mean:

 **DANGER**

You **WILL** be **KILLED** or **SERIOUSLY HURT** if you don't follow instructions.

 **WARNING**

You **CAN** be **KILLED** or **SERIOUSLY HURT** if you don't follow instructions.

 **CAUTION**

You **CAN** be **HURT** if you don't follow instructions.

A Few Words About Safety

Safety Headings — such as “Important Safety Reminders” or “Important Safety Precautions.”

Safety Section — “Driver & Passenger Safety,” beginning on page 1.

Instructions — how to operate this vehicle correctly and safely.

In addition to the above, your owner's manual is full of information that can help you safely operate and maintain your vehicle. So please read it carefully.

Contents

These pages give an overview of the contents of your owner's manual.

The first page of each section lists the topics discussed in that section.

Driver & Passenger Safety 1

The most important safety guidelines, how accessories and modifications can affect your safety, and the location of safety-related labels on your vehicle.

Instruments & Controls 11

The location, function and operation of the indicators, driver controls, and other operational components.

Before Driving..... 75

The importance of wearing a seat belt, helmet, protective eyewear and other protective gear, how to make sure you and your Honda are ready to drive, plus load limits and guidelines on carrying cargo.

Basic Operation & Driving Guidelines 87

How to start and stop the engine, select a driving mode and gear, plus guidelines for driving on hills and other off-road situations.

Servicing Your Honda 113

Why your vehicle needs regular maintenance, what you need to know before servicing your vehicle, a maintenance schedule, and instructions for specific maintenance and adjustment items.

Tips 215

How to store and transport your Honda, and how to be an environmentally responsible driver.

Contents

Taking Care of the Unexpected	225
What to do if you have a flat tire, your engine won't start, etc.	
Technical Information	255
ID numbers, technical specifications, and other technical facts.	
Consumer Information (USA only)	275
Information on warranties, emissions controls, how to get a service manual, and how to contact Honda.	
Index	281
Alphabetical listing of topics in the manual.	
Quick Reference	
Handy facts about fuel, engine oil, tire sizes, and air pressure.	

Driver & Passenger Safety

This section presents some of the most important information and recommendations to help you drive your Honda safely. Please take a few moments to read these pages. This section also shows you the location of safety labels on your vehicle.

Important Safety Information.....	2
Accessories & Modifications.....	4
Safety Labels	6

Important Safety Information

There is much that you can do to protect yourself and your passengers. You'll find many helpful recommendations throughout this manual. The following are those we consider to be most important.

Follow Age and Size Recommendations

The driver should be at least 16 years old and tall enough to wear the seat belt properly and reach all the controls. A passenger should also be tall enough for the seat belt to fit properly and brace themselves, if needed, placing both feet firmly on the floor.

Always Wear a Seat Belt

Wearing a properly positioned seat belt is your best protection against injury in a crash or rollover.

Protect Your Head and Eyes

We recommend that occupants always wear a helmet with a chin strap. We also recommend that you wear eye protection, boots, gloves, and other protective gear (page 77).

Keep Doors and Side Nets Closed

Make sure the doors and the side nets are closed, the side net buckles are fastened and secure help keep the driver's and passenger's arms and legs inside the occupant protective structure (OPS), should the vehicle tip or turn over.

Important Safety Information

Never Carry a Passenger in the Cargo Area

Your vehicle was designed to carry a driver and up to three passengers. Never carry additional passengers in the cargo area, as they could be thrown against or out of the vehicle and be seriously hurt or killed.

Obey Loading Limits & Guidelines

Do not carry more than the loading limits in the cargo bed (page 84). Make sure all cargo is properly loaded and as far forward, centered, and low as possible.

Keep Your Vehicle in Safe Condition

It's important to keep your vehicle properly maintained and in safe operating condition. Having a breakdown can be difficult, especially if you are stranded far from your base. To help avoid problems, inspect your Honda before each use and perform all recommended maintenance.

Don't Drink or Use Drugs and Ride

Alcohol or drugs and riding don't mix. Even one alcoholic drink can reduce your ability to respond to changing conditions, and your reaction time gets worse with every additional drink. The same is true for drug use. Don't drink or use and ride, and don't let your friends do it either.

Stay Off Public Roads

Your vehicle has been designed for use on private property and designated off-highway areas. It does not have turn signals or many other items required for use on either paved or unpaved public roads.

Accessories & Modifications

Modifying your vehicle or using non-Honda accessories can make it unsafe. Before you consider making any modifications or adding an accessory, be sure to read the following information.

Accessories

We strongly recommend that you use only Honda Accessories that have been specifically designed or approved and tested for your vehicle. Because Honda cannot test all other accessories, you must be personally responsible for the proper selection, installation, and use of non-Honda accessories.

You should also be aware that accessories add weight, reducing the amount of cargo and total weight you can carry, and can raise the vehicle's center of gravity, increasing the risk of a rollover.

Check with your dealer for assistance, and always follow these guidelines:

- Make sure the accessory does not obscure any lights, reduce ground clearance, limit suspension travel or steering travel, or interfere with operating any controls.
- Do not add any electrical equipment that will exceed the vehicle's electrical system capacity (page 261). A blown fuse can cause a loss of lights or engine power (page 241).

WARNING

Improper accessories or modifications can cause a crash in which you can be seriously hurt or killed.

Follow all instructions in this owner's manual regarding accessories and modifications.

Accessories & Modifications

Modifications

We strongly advise you not to remove any original equipment or modify your Honda in any way that would change its design or operation. Such changes could seriously impair your vehicle's handling, stability, and braking and make it unsafe to drive.

We also advise you not to make any modifications or remove any equipment (such as the spark arrester, muffler, or emissions control system components) that would make your vehicle illegal in your area.

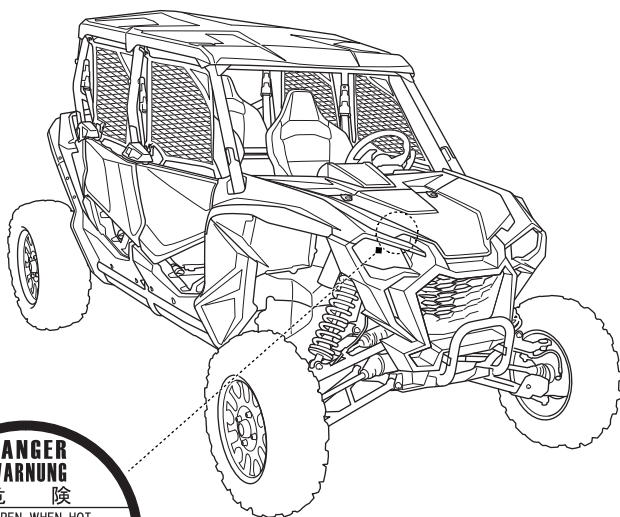
Safety Labels

Your Honda comes with several labels that contain important information.

You, and anyone else who operates or rides in the vehicle, should read and understand this information before driving.

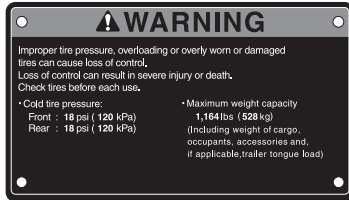
The labels should be considered permanent parts of the vehicle. If a label comes off or becomes hard to read, contact your Honda dealer for a replacement.

- ▶ Indicates something apparent.
-▶ Indicates something concealed.

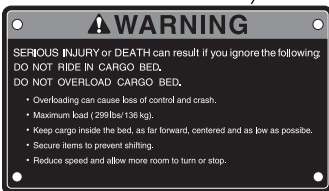
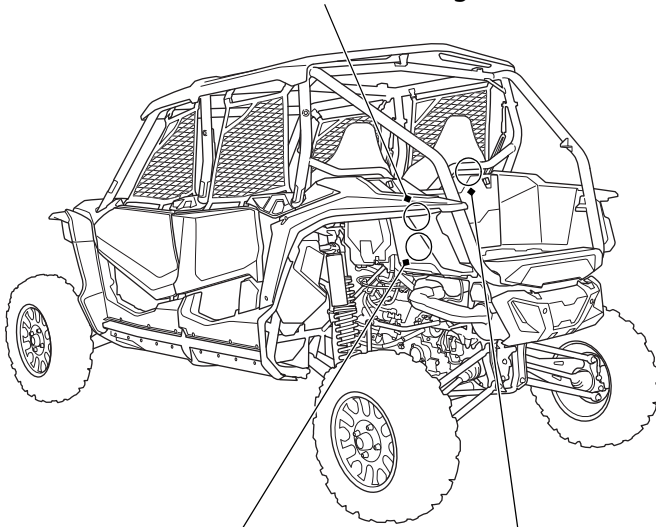


radiator cap danger

Safety Labels



tire & overload warning



loading warning

The ROPS meets the requirements of ISO 3471:2008 and OSHA 1926.1002(c)

Model: Honda SXS 1000S4X

Test GVWR: 3,047 lbs (1,382 kg)

American Honda Motor Co., Inc.
1111 Honda Way, Timmonsville, SC

OSHA

Safety Labels

⚠ WARNING
Improper Use of Off-Highway Vehicles Can Cause Severe Injury or Death

Be Prepared

- Fasten seat belts.
- Wear an approved helmet and protective gear.
- Close doors and latch nets before driving.
- Each rider must be able to sit in a designated seating position with back against seat, feet flat on floor, and hands on steering wheel or handhold. Stay completely inside the vehicle.

Drive Responsibly

Avoid loss of control and rollovers:

- Avoid abrupt maneuvers, sideways sliding, skidding, or fishtailing, and never do donuts.
- Slow down before entering a turn.
- Avoid hard acceleration when turning, even from a stop.
- Plan for hills, rough terrain, ruts, and other changes in traction and terrain.
- Avoid paved surfaces.
- Avoid side hilling (riding across slopes).

Be Sure Riders Pay Attention and Plan Ahead

If you think or feel the vehicle may tip or roll, reduce your risk of injury:

- Keep a firm grip on the steering wheel or handholds and brace yourself.
- Do not put any part of your body outside of the vehicle for any reason.

Require Proper Use of Your Vehicle

Do your part to prevent injuries:

- Do not allow carelessness or reckless driving.
- Make sure operators are 16 or older.
- Do not let people drive or ride after using alcohol or drugs.
- Do not allow operation on public roads (unless it is an unimproved road designated for off-highway vehicle access)
 - collisions with cars and trucks can occur.
- Do not exceed seating capacity.

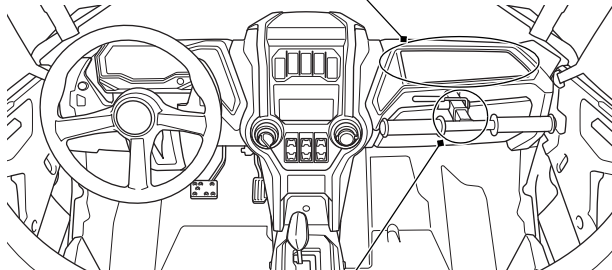


NEVER UNDER 16

Locate and Read Owner's Manual. Follow All Instruction and Warnings.

Vehicle	Driver	Passenger
SXS1000S422E	1	1
SXS1000S423E	1	1

general warning



general warning tag

Tilt Table Test Result

HONDA
Vehicle Models: SXS1000S4X

36.5

Measurement of lateral stability, in degrees, of a sample, standard condition vehicle (with an operator and a passenger load — 450 pounds) as measured by the manufacturer in accordance with the tilt table lateral stability test in the ANSI/RHOVA standard for Recreational Off-Highway Vehicles. Vehicle modifications, accessories, and loading can affect lateral stability.

Training courses to teach ROV driving are available. For information contact your dealer and/or rhoiva.org

Check with your dealer to find out about state or local laws regarding ROV operation.

THIS HANG TAG IS NOT TO BE REMOVED BEFORE SALE.

⚠ WARNING
Improper Use of Off-Highway Vehicles Can Cause Severe Injury or Death

Be Prepared

- Fasten seat belts.
- Wear an approved helmet and protective gear.
- Close doors and latch nets before driving.
- Each rider must be able to sit in a designated seating position with back against seat, feet flat on floor, and hands on steering wheel or handhold. Stay completely inside the vehicle.

Drive Responsibly

Avoid loss of control and rollovers:

- Avoid abrupt maneuvers, sideways sliding, skidding, or fishtailing, and never do donuts.
- Slow down before entering a turn.
- Avoid hard acceleration when turning, even from a stop.
- Plan for hills, rough terrain, ruts, and other changes in traction and terrain. Avoid paved surfaces.
- Avoid side hilling (riding across slopes).

Be Sure Riders Pay Attention and Plan Ahead


If you think or feel the vehicle may tip or roll, reduce your risk of injury:

- Keep a firm grip on the steering wheel or handholds and brace yourself.
- Do not put any part of your body outside of the vehicle for any reason.

Require Proper Use of Your Vehicle

Do your part to prevent injuries:

- Do not allow carelessness or reckless driving.
- Make sure operators are 16 or older.
- Do not let people drive or ride after using alcohol or drugs.
- Do not allow operation on public roads (unless it is an unimproved road designated for off-highway vehicle access)
 - collisions with cars and trucks can occur.
- Do not exceed seating capacity.



NEVER UNDER 16

Locate and Read Owner's Manual. Follow All Instruction and Warnings.

Vehicle	Driver	Passenger
SXS1000S422E	1	1
SXS1000S423E	1	1

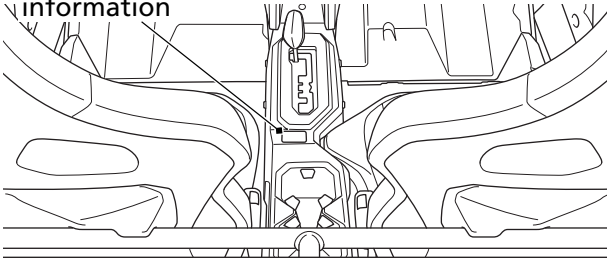
Safety Labels

Shift Select Lever Information

To prevent drivetrain damage, bring the unit to a complete stop before operating the shift select lever

(P - R - N - H - L)

shift select lever
information



rear passenger
warning

WARNING

Improper Use of Off-Highway Vehicles
Can Cause Severe Injury or Death

- Only sit in designated seating positions and wear your seatbelt.
- Always wear an approved helmet and protective gear.
- Close doors and latch nets before driving.
- Each rider must be able to sit with back against seat, feet flat on floor, and hands on handholds. Stay completely inside the vehicle.

Read Owner's Manual
Follow **All** Instructions and Warnings



This page intentionally left blank.

Instruments & Controls

The items listed below are described in this section.

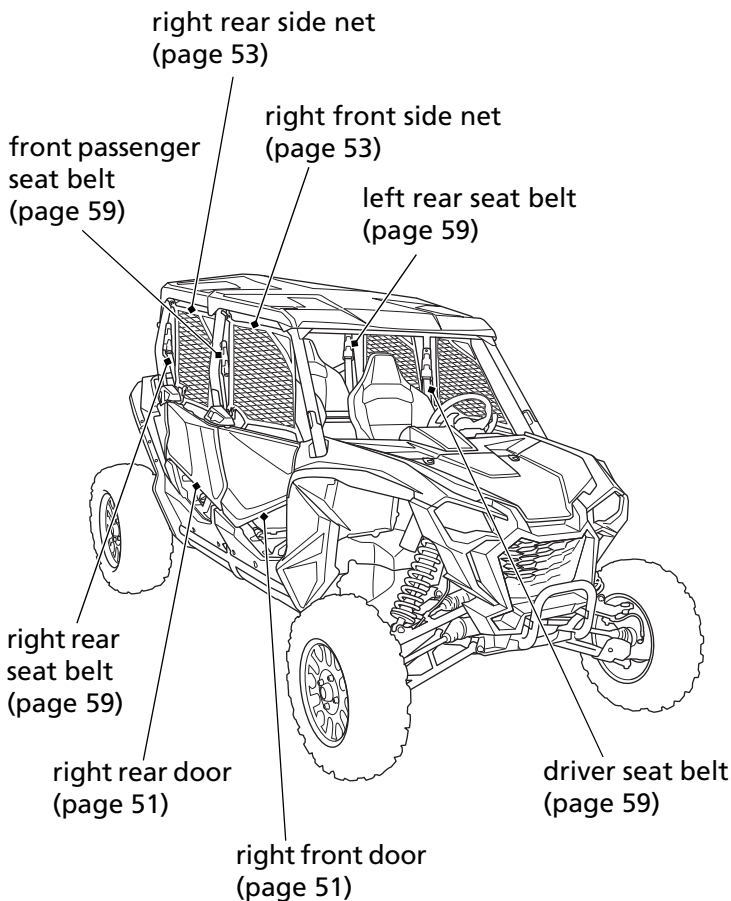
Operation Component Locations	13
Indicators & Displays	17
Neutral Indicator	19
Reverse Indicator	19
Electric Power Steering (EPS) Indicator	19
High Coolant Temperature Indicator	19
PGM-FI Malfunction Indicator Lamp (MIL)	19
Seat Belt Indicator	19
Low Oil Pressure Indicator	20
Hill Start Assist (HSA) Indicator	20
I - 4WD Indicator	20
Clutch Temperature Indicator	20
FLV Warning Indicator (SXS1000S4XD only)	21
FLV SPORT Indicator (SXS1000S4XD only)	21
FLV NORMAL Indicator (SXS1000S4XD only)	21
LAUNCH MODE Indicator	21
Multi-function Display	24
Speedometer	25
Tachometer	26
Fuel Gauge	27
Odometer Display	28
Maintenance Minder Indicator	33
Digital Clock	34
Gear Position Indicator	35
AT Indicator / MT Indicator / LOW Indicator	36
SPORT Indicator	36
Drive Mode Indicator	37

(cont'd)

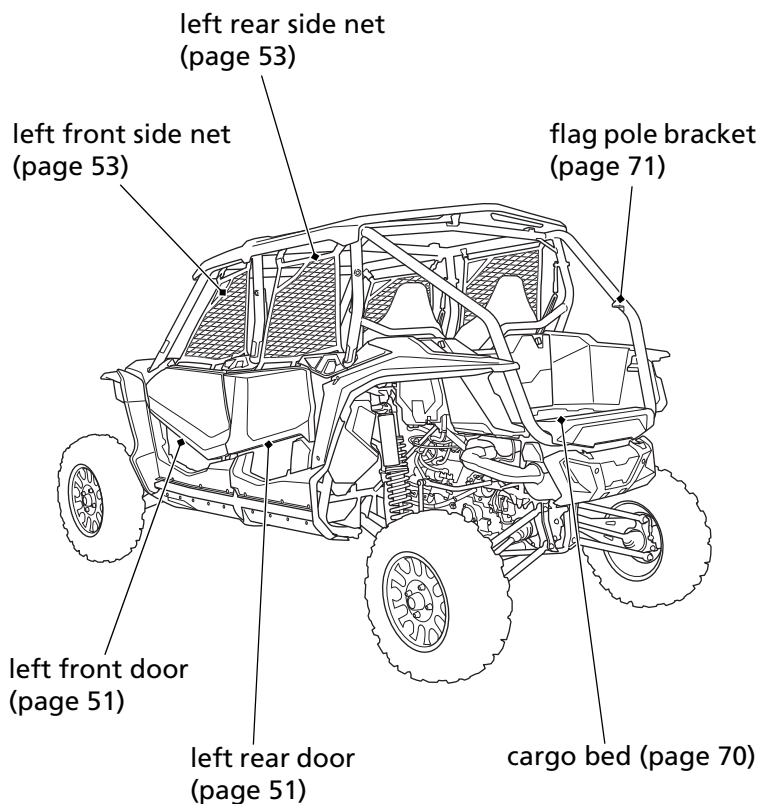
Instruments & Controls

Driver Controls	38
Ignition Switch.....	38
Headlight Switch	39
Shift Select Lever	40
Drive Mode Select Switch	41
AT/MT Switch	43
SPORT Switch	44
Hill Start Assist (HSA) Switch	45
LAUNCH MODE Switch.....	46
FOX® Live Valve (FLV) Switch (SXS1000S4XD only)	47
Shift Paddles.....	48
Steering Wheel Adjustment Lever	49
Doors	51
Side Nets	53
Side Nets Set Up	54
Side Nets Folding in Half	55
Seat.....	56
Seat.....	56
Driver Seat Position Adjustment	57
Seat Belts	59
Passenger Handhold	64
Passenger Handhold	64
Storage Compartments	67
Accessory Power Socket	69
Cargo Bed	70
Tie-Down Hooks	70
Flag Pole Bracket	71
Electronic Brakeforce Distribution (EBD)	72
Electric Power Steering (EPS)	73

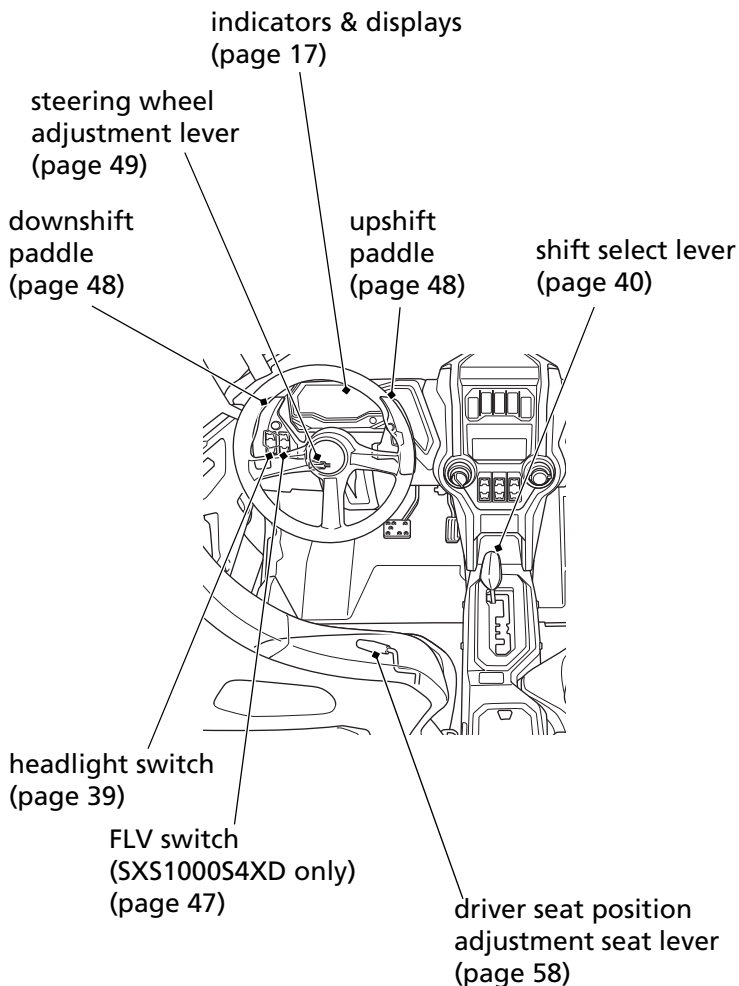
Operation Component Locations



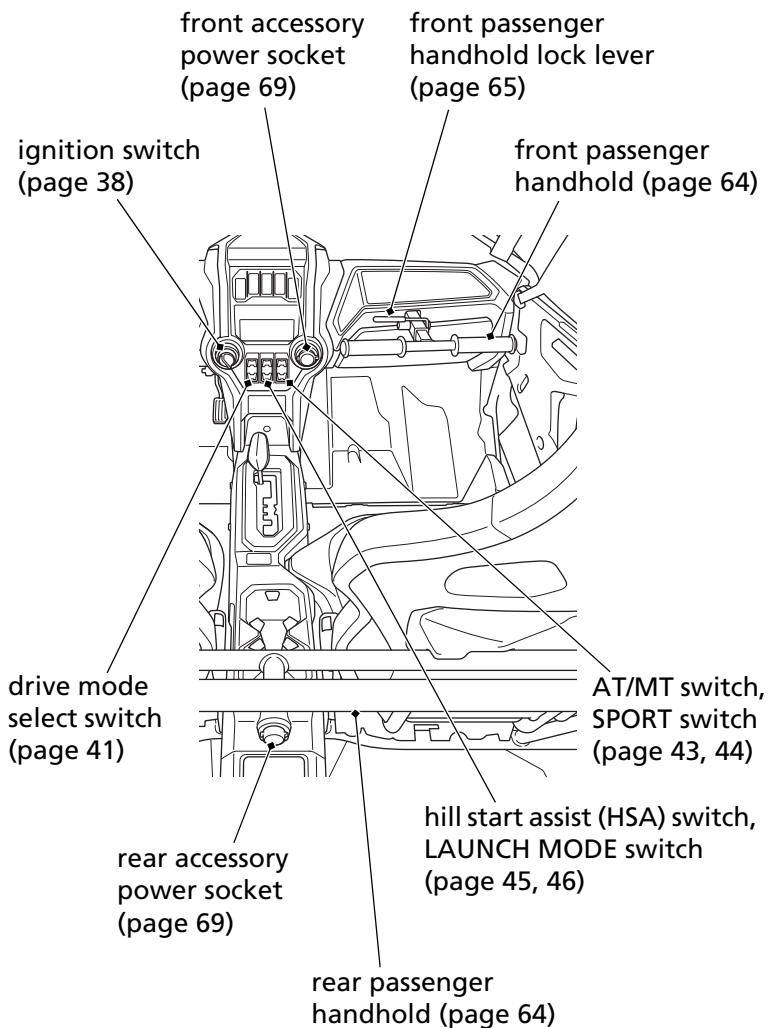
Operation Component Locations



Operation Component Locations



Operation Component Locations



Indicators & Displays

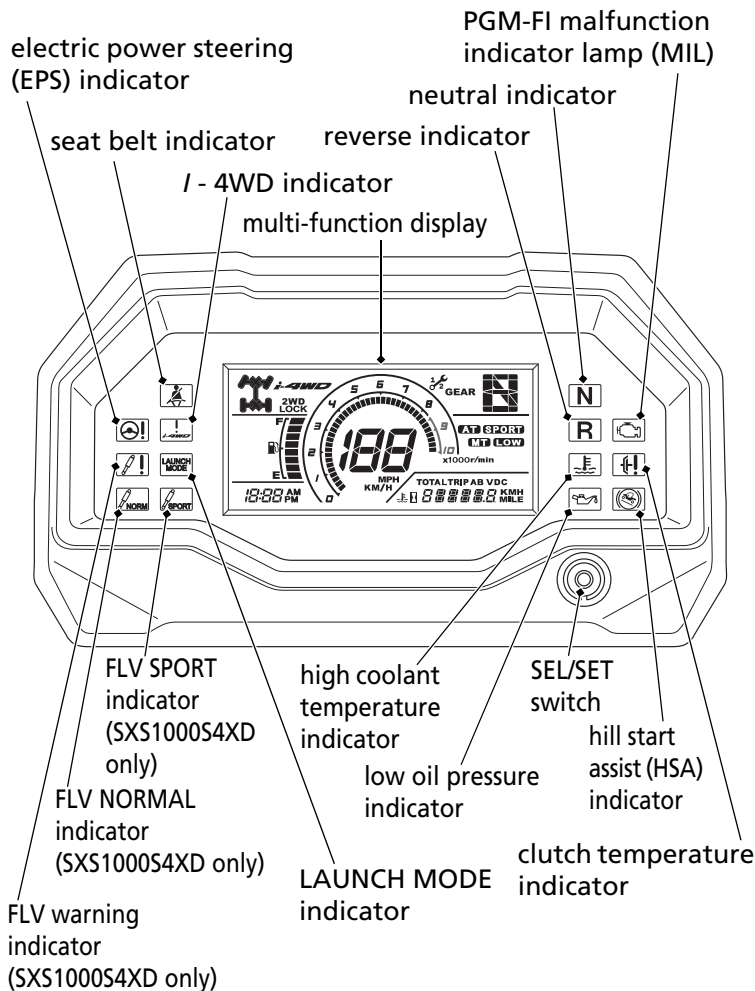
The indicators and displays on your Honda SXS keep you informed, alert you to possible problems, and make your driving safer and more enjoyable. Refer to the indicators frequently. Their functions are described on the following pages.

Lamp Check

The indicators come on and go off sequentially when you turn the ignition switch to the ON (I) position.

If one of these indicators does not come on when it should, have your dealer check for problems.

Indicators & Displays



Indicators & Displays

N Neutral Indicator

This indicator comes on and stays on when the transmission is in neutral.

R Reverse Indicator

This indicator comes on and stays on when the transmission is in reverse.



Electric Power Steering (EPS) Indicator

This indicator comes on when the ignition switch is turned ON (I) and remains on until the engine is started.

This indicator comes on and stays on when there is abnormality in the electric power steering system.



High Coolant Temperature Indicator

This indicator comes on and stays on when the coolant temperature is high enough to adversely affect the service life of the engine. If this indicator comes on while you are driving, stop as soon as possible, turn the engine off, and let it cool.



PGM-FI Malfunction Indicator Lamp (MIL)

This indicator comes on and stays on when there is a problem with your vehicle's engine system. If this happens, reduce speed and take your vehicle to a dealer as soon as possible.



Seat Belt Indicator

This indicator starts blinking if the driver's seat belt is not latched and remains blinking until the driver's seat belt is latched.

If the driver's seat belt is not latched properly, the maximum vehicle speed will be limited by the seat belt speed limiting system (page 60).

Indicators & Displays

Low Oil Pressure Indicator

This indicator comes on when the ignition switch is turned ON (I) and remains on until the engine is started.

This indicator comes on and stays on when the engine oil pressure is low enough to cause engine damage. If this indicator comes on while you are driving, stop as soon as possible, turn the engine off and check for oil leaks and oil level.

This indicator also comes on when the emergency valve is operated. (See more details about the emergency valve on page 233)

Hill Start Assist (HSA) Indicator

This indicator comes on briefly when the ignition switch is turned ON (I).

This indicator comes on when HSA is being used (page 45).

I - 4WD Indicator

This indicator comes on briefly when the ignition switch is turned ON (I).

This indicator comes on and stays on when there is a problem with your vehicle's HSA (Hill Start Assist), BTCS (Brake Traction Control System) and EBD (Electronic Brakeforce Distribution). If this happens, reduce speed and take your vehicle to a dealer as soon as possible.

Clutch Temperature Indicator

This indicator comes on briefly when the ignition switch is turned ON (I).

If the indicator light does not go off after indicator lamp check, have your vehicle inspected by your dealer.

This indicator flashes when the clutch temperature is unusually high. If the indicator flashes while driving, see page 240.

Indicators & Displays



FLV Warning Indicator (SXS1000S4XD only)

This indicator comes on briefly when the ignition switch is turned ON (I).

This indicator comes on and stays on when there is a problem with your vehicle's FOX® Live Valve (FLV) system. If this happens, reduce speed and take your vehicle to a dealer as soon as possible.



FLV SPORT Indicator (SXS1000S4XD only)

This indicator comes on briefly when the ignition switch is turned ON (I).

This indicator comes on when FLV is in the SPORT mode (page 183).



FLV NORMAL Indicator (SXS1000S4XD only)

This indicator comes on briefly when the ignition switch is turned ON (I).

This indicator comes on when FLV is in the NORMAL mode (page 183).



LAUNCH MODE Indicator

This indicator comes on briefly when the ignition switch is turned ON (I).

This indicator comes on when launch mode is activated (page 98). If this indicator flashes, launch mode is deactivated. Release the accelerator pedal and shift paddles and wait until the indicator goes off. Verify the preconditions are met and reactivate launch mode. (page 98).

Indicators & Displays

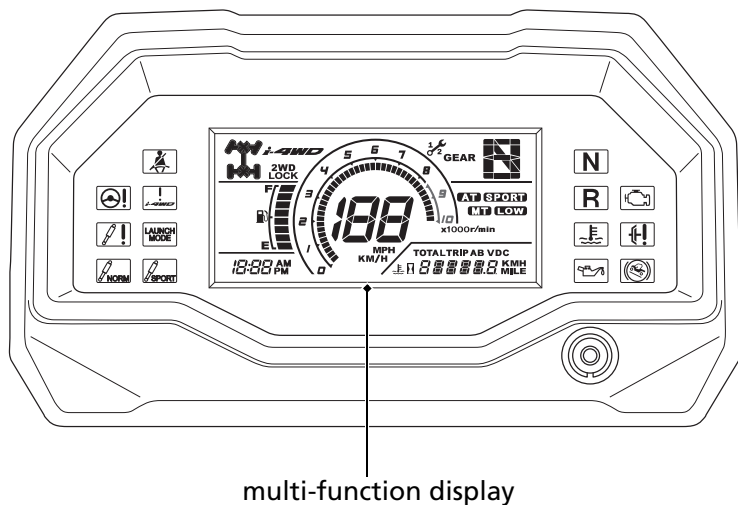
Multi-function display	This display includes the following functions.
Speedometer	Shows driving speed in miles or kilometers per hour (page 25).
Tachometer	Shows the engine rpm (page 26).
Fuel gauge	Shows approximate fuel supply available (page 27).
Odometer display	Shows the odometer, tripmeter, coolant temperature gauge, hour meter, maintenance tripmeter and maintenance hour meter (page 28).
Maintenance minder indicator	Shows when specified maintenance interval is reached (page 33).
Digital clock	Shows the time (hours and minutes) (page 34).
Gear position indicator	Shows the gear position (page 35).
AT/MT/LOW indicator	Shows the transmission mode (page 36).
SPORT indicator	
Drive mode indicator	Shows the driving mode (page 37).
SEL/SET switch	This switch is used to select the mode, to change the mileage unit and adjust/ resets the digital clock, tripmeter and hour meter (page 24).

Indicators & Displays

Display Check

When the ignition switch is turned ON (I), the multi-function display will temporarily show all the modes and digital segments and initial message. This indicates that the liquid crystal display is functioning properly.

If any part of this display does not come on when it should, have your dealer check for problems.

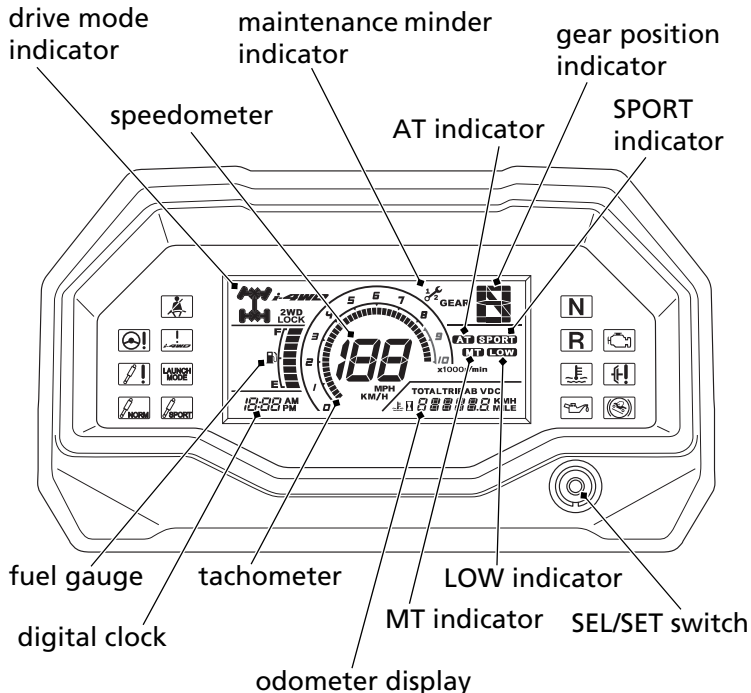


Indicators & Displays

Multi-function Display

The multi-function display consists of the following function displays:

- Speedometer
- Tachometer
- Fuel gauge
- Odometer display
- Maintenance minder indicator
- Digital clock
- Gear position indicator
- AT indicator
- MT indicator
- LOW indicator
- SPORT indicator
- Drive mode indicator



Indicators & Displays

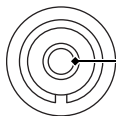
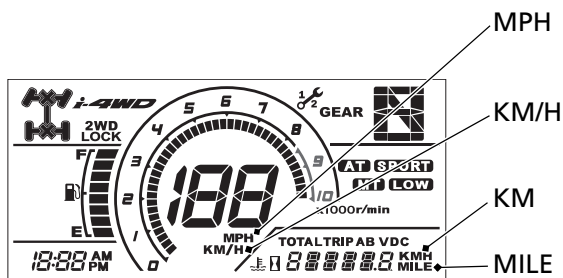
Speedometer

This display shows speed in miles or kilometers per hour.

Mileage Unit Change

The speedometer, odometer, tripmeter, and maintenance tripmeter show in either “MPH” and “MILE” or “KM/H” and “KM”.

To change the mileage unit, press and hold the SEL/SET switch for more than 5 seconds in odometer mode (page 28) with the vehicle stopped.



SEL/SET switch

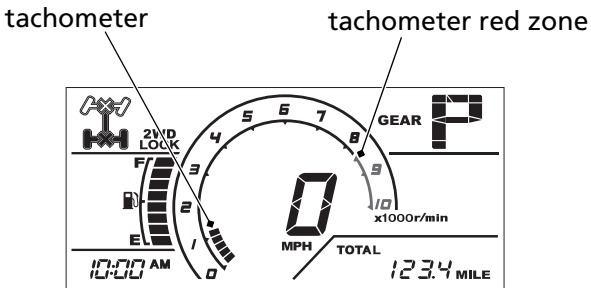
Speedometer Blinking

If the speedometer digits and seat belt indicator blinks simultaneously while you are driving, the maximum vehicle speed will be limited to no more than 15 mph (24 km/h) by the seat belt speed limiting system (page 60).

Indicators & Displays

Tachometer

This display shows the engine speed in revolutions per minute (rpm). Do not operate the engine in the tachometer red zone. Excessive engine speed can adversely affect engine life.

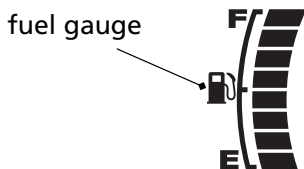


Indicators & Displays

Fuel Gauge

The fuel gauge shows the approximate fuel supply available. The fuel tank capacity is:

7.66 US gal (29.0 ℓ)



When the last segment blinks, you should refill the tank as soon as possible. The amount of fuel remaining when the blinking starts is approximately:

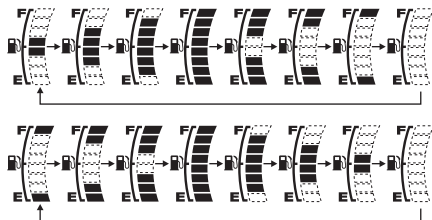
0.90 US gal (3.4 ℓ)



Fuel gauge failure:

If the fuel system has an error, the fuel gauge indicators will be displayed as shown in the illustrations.

If this occurs, see your dealer as soon as possible.

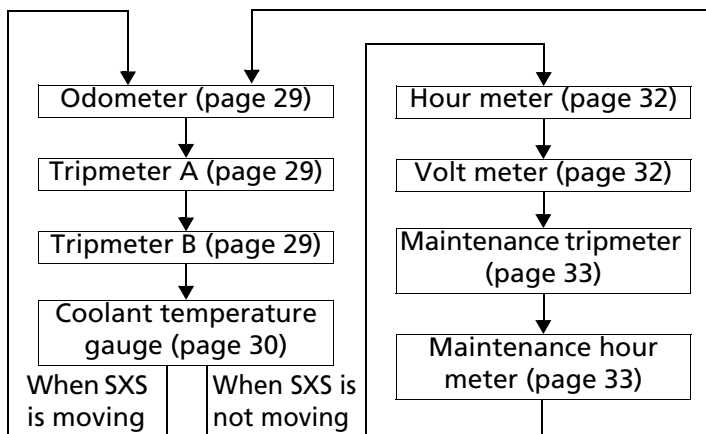


Indicators & Displays

Odometer Display

This display includes the odometer, tripmeter, coolant temperature gauge, hour meter, maintenance tripmeter, and maintenance hour meter.

Each time you press the SEL/SET switch, the mode will change as shown in the illustration.

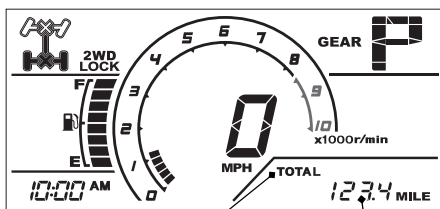


If a display item malfunctions, press and hold the SEL/SET switch for 10 seconds to reset the display.

Indicators & Displays

Odometer

The odometer shows the total miles or kilometers ridden with the TOTAL display. The odometer locks at 999,999 when the readout exceeds 999,999.



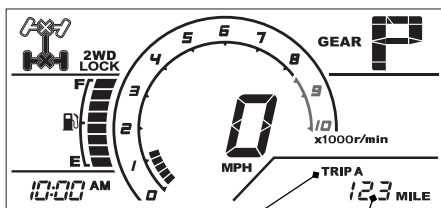
TOTAL display

odometer

Tripmeter

The tripmeter shows the number of miles or kilometers ridden since you last reset the tripmeter A or B. The tripmeter A and B return to 0.0 when the readout exceeds 9,999.9.

To reset the tripmeter, press and hold the SEL/SET switch while the display is in tripmeter A or B.



TRIP A/B display

tripmeter

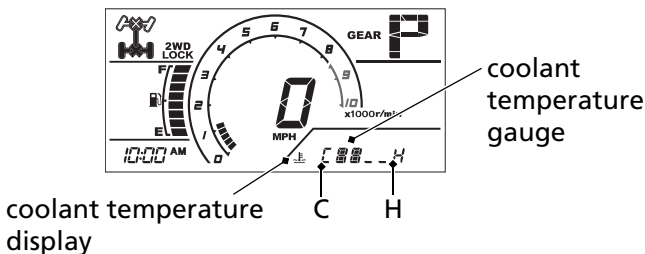


SEL/SET switch

Indicators & Displays

Coolant temperature gauge

The coolant temperature gauge shows engine coolant temperature with the coolant temperature display. When the segment begins to move above the C (Cold) display, the engine is warm enough for the SXS to be ridden. When the coolant temperature is low, the coolant temperature gauge will display "Lo". The normal operating temperature range is within the section between the H and C displays.

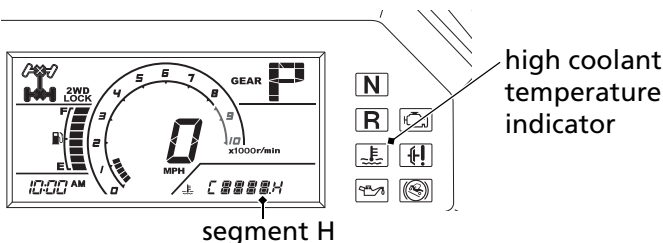


If all sections of the coolant temperature gauge, including segment H and high coolant temperature indicator are on (automatically appears in the display), stop the engine and check the reserve tank coolant level.

Read pages 238 – 239 and do not drive the SXS until the problem has been corrected.

NOTICE

Continuing to ride with an overheated engine can cause serious engine damage.

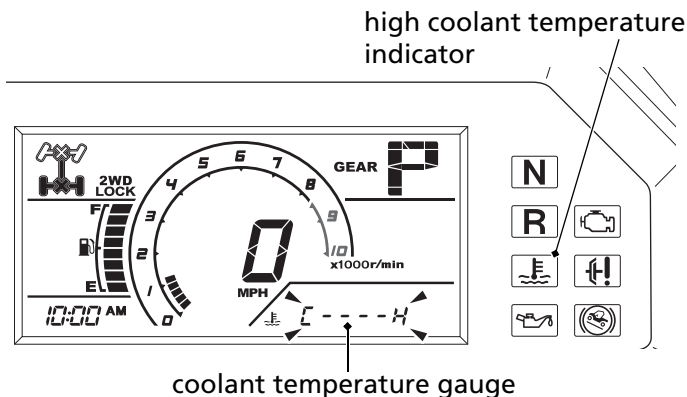


Indicators & Displays

Coolant temperature gauge failure:

If the coolant temperature system has an error, the coolant temperature gauge will blink and appear in the display, and the high coolant temperature indicator will turn on.

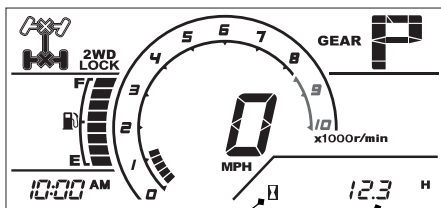
If this occurs, see your dealer as soon as possible.



Indicators & Displays

Hour meter

The hour meter display shows the accumulated hours the ignition is ON (I). The hour meter locks at 99,999.9 when the readout exceeds 99,999.9.

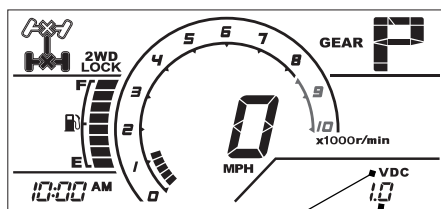


hour meter display

hour meter

Volt meter

The volt meter shows the current battery voltage.



VDC display

volt meter

Indicators & Displays

Maintenance Minder Indicator

The maintenance minder indicator appears in the display when the mileage or operating hours on your Honda SXS reach the maintenance interval specified on the maintenance schedule (page 121).

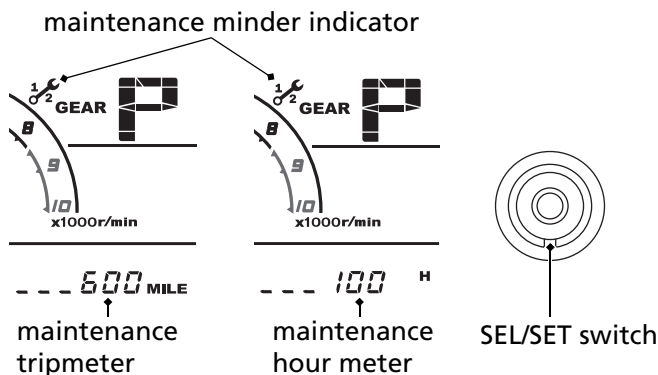
Reset the indicator after each scheduled maintenance is performed. If the scheduled maintenance is performed before the maintenance minder indicator appears, be sure to reset the maintenance minder after performing the scheduled maintenance.

Resetting the indicator:

To reset the indicator, press and continue to hold the SEL/SET switch and turn the ignition switch to ON (I). The indicator will light up, and after 2 seconds will blink twice to indicate, the maintenance minder indicator is reset.

The maintenance tripmeter and maintenance hour meter will also reset.

See more details about the maintenance minder indicator on page 119.



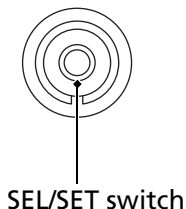
Indicators & Displays

Digital Clock

The digital clock shows the hour and minutes with the 12-hour clock display.

To set the time:

1. Turn the ignition switch to ON (I).
2. Change to the hour meter display (page 28).
3. Press and hold the SEL/SET switch until the hour digits start flashing.
4. Press the SEL/SET switch until the desired hour is displayed.
5. Press and hold the SEL/SET switch. The minute digits start flashing.
6. Press the SEL/SET switch until the desired minute is displayed.
7. Press and hold the SEL/SET switch. The AM or PM starts flashing.
8. Press the SEL/SET switch to select AM or PM.
9. To complete setting the clock, press and hold the SEL/SET switch or turn the ignition switch OFF (O).



Indicators & Displays

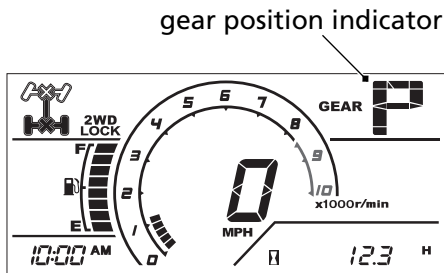
Gear Position Indicator

The gear position indicator shows the selected shift position by the shift select lever (page 40).

The indicator displays: P for park, N for neutral, R for reverse, H for high-range, L for low-range, and 1 – 6 for gear positions (shift paddles operation).

“–” will be displayed on the gear position indicator when the transmission is not shifted into gear properly. Before driving, check that the gear position is properly displayed on the gear position indicator.

If the gear position indicator blinks, see *If the Transmission Is Not Functioning Properly*, page 231.



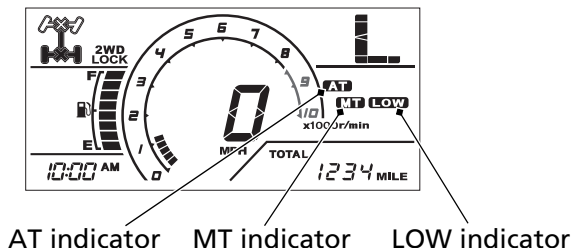
Indicators & Displays

AT Indicator / MT Indicator / LOW Indicator

These indicators display the transmission mode of the SXS.

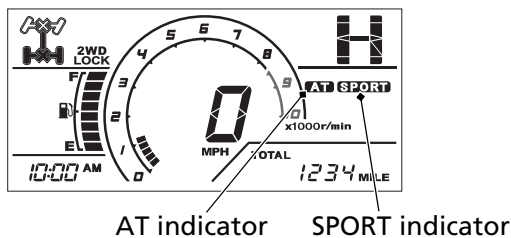
The indicators display: AT for automatic shift mode, MT for manual shift mode.

To switch between AT mode and MT mode, press the AT/MT switch (page 43). When MT mode is selected in low-range (L), the LOW indicator also comes on.



SPORT Indicator

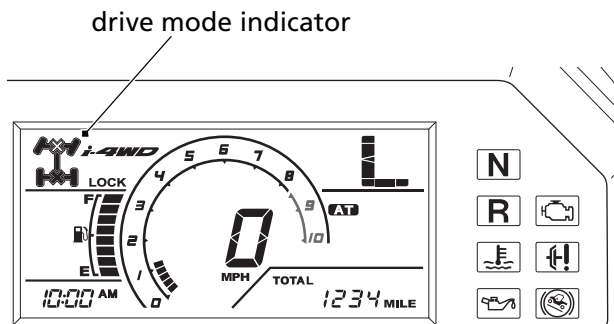
When AT mode is selected, pressing the SPORT switch displays the SPORT indicator (page 44).





Indicators & Displays

Drive Mode Indicator

The drive mode indicator shows the selected drive mode by pressing the drive mode select switch (page 41, 97).



drive mode select switch position	2WD	I - 4WD
drive mode indicator		

The drive mode indicator will flash between 2WD mode and I - 4WD mode for various conditions.

- The drive mode select switch is in I - 4WD mode while the engine is not running.
- A speed difference between front and rear tires is larger than allowed by the control program. (Release the accelerator pedal)
- The system detects a malfunction. (See your dealer)

Driver Controls

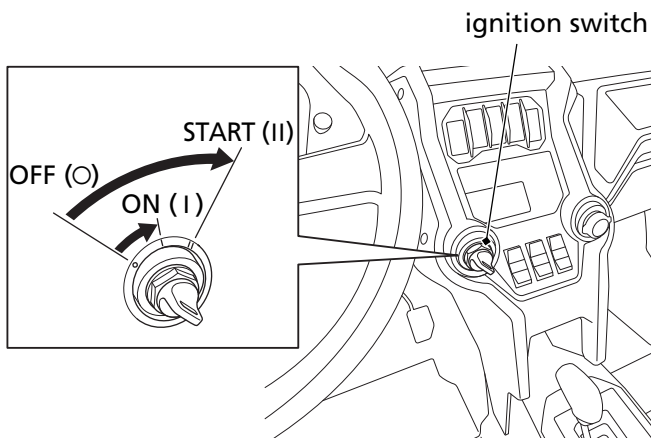
Ignition Switch

The ignition switch is a three-position, key-operated switch used to start and stop the engine.

OFF (O) — The engine and all electrical circuits are off. The key can be inserted and removed only when it is in this position.

ON (I) — The electrical circuits are on. You can use the accessory power socket in this position.

START (II) — This position is used only to start the engine. The key will automatically return to the ON (I) position when you let go of it.



Driver Controls

Headlight Switch

The headlight switch is located on the left side of the steering wheel, has three positions: OFF, LO and HI.

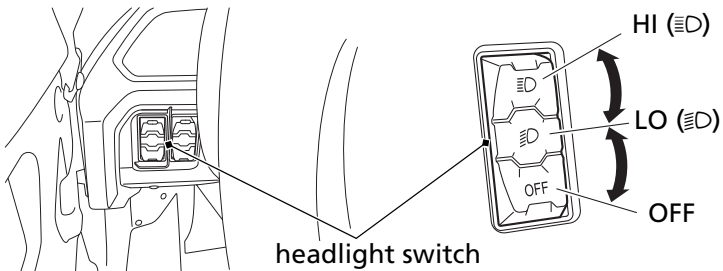
This switch turns the headlights and taillights on and off, and changes between low beam or high beam.

For example:

To change the headlight position from OFF to HI: press the HI side of headlight switch until you feel two clicks.

To change the headlight position from OFF to LO: press the HI side of headlight switch until you feel one click.

To change the headlight position from HI to LO: press the OFF side of headlight switch until you feel one click.



- HI → LO → OFF
(H) ←--- (L) ←--- OFF
- > Press "H" side of headlight switch until you feel one click
-> Press "OFF" side of headlight switch until you feel one click

OFF — The headlights and taillights are off.

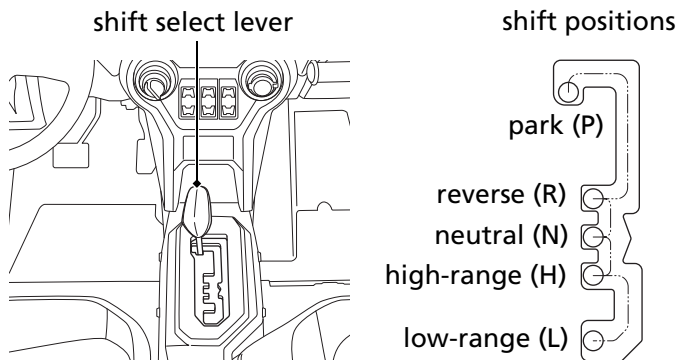
LO (L) — The headlights and taillights are on. The headlights are low beam.

HI (H) — The headlights and taillights are on. The headlights are high beam.

Driver Controls

Shift Select Lever

Your Honda SXS is equipped with an automatically controlled 6-speed transmission. The shift select lever, located on the center console, has five positions: park (P), reverse (R), neutral (N), high-range (H), and low-range (L).



You should shift the shift select lever only when the vehicle is stopped with your foot on the brake pedal and with the engine idling. Use a firm motion to select the appropriate gear. Have your vehicle checked by a dealer if you experience any shifting problems.

NOTICE

Do not attempt to shift the shift select lever with the engine speed above idle or while the vehicle is moving, as you may damage the transmission.

Driver Controls

Drive Mode Select Switch

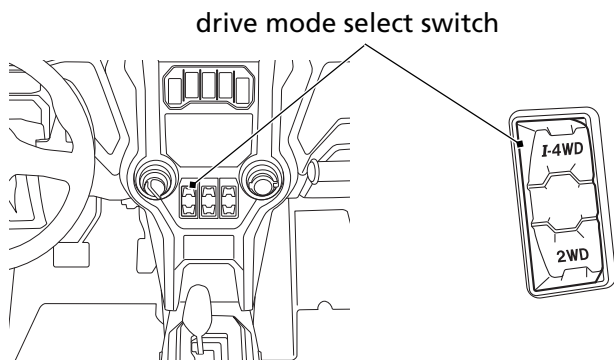
The drive mode select switch, located on the center console, has two drive modes: 2WD and *I* - 4WD (page 97).

You can switch between 2WD mode and *I* - 4WD mode by pressing the drive mode select switch at any time the engine is running; you can also select *I* - 4WD mode while driving.

It is not recommended to change the drive mode under high throttle or excessive rear tire slippage.

When *I* - 4WD mode is selected and the ignition switch turned OFF (O) and then back to ON (I), the drive mode temporarily defaults to 2WD mode. Once the engine is re-started, *I* - 4WD mode will automatically resume.



- *I* - 4WD mode remains engaged until the 2WD mode is selected or the engine is stopped.
- *I* - 4WD mode will only engage while the engine is running.



(cont'd)

Driver Controls

To check your present drive mode, look at the drive mode indicator.

drive mode select switch position	2WD	I - 4WD
drive mode indicator		

The drive mode indicator will flash between 2WD mode and I - 4WD mode for various conditions.

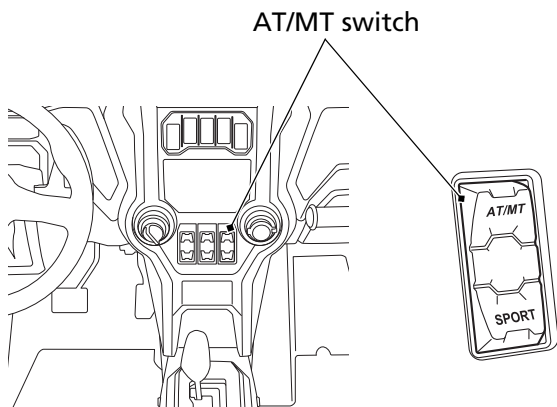
- The drive mode select switch is in I - 4WD mode while the engine is not running.
- A speed difference between front and rear tires is larger than allowed by the control program. (Release the accelerator pedal)
- The system detects a malfunction. (See your dealer)

If the indicators do not go out or come on according to the drive mode, see your dealer.

Driver Controls

AT/MT Switch

The AT/MT switch is located on the center console. When the shift select lever is in high-range (H) or low-range (L) position, you can switch between AT mode and MT mode by pressing the AT/MT switch.



Driver Controls

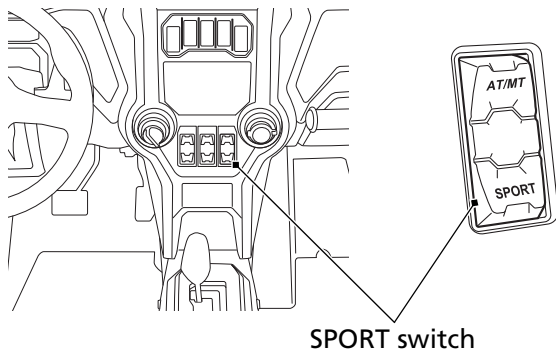
SPORT Switch

The SPORT switch is under the AT/MT switch.

When AT mode is selected and the shift select lever is in the high-range (H) position, you can switch between turning SPORT mode on and off by pressing the SPORT switch.

When the shift select lever is in the low-range (L) position, SPORT mode will not turn on even if the SPORT switch is pressed.

When MT mode is selected, SPORT mode will not turn on even if the SPORT switch is pressed.

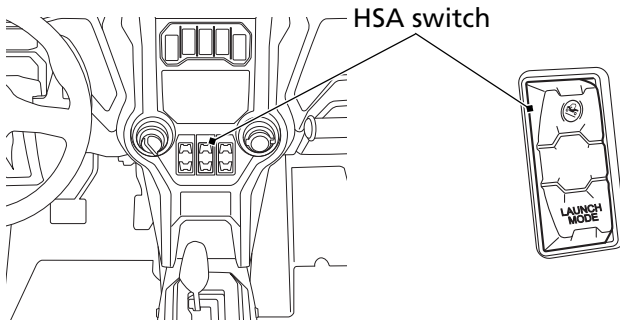


Driver Controls

Hill Start Assist (HSA) Switch

The Hill Start Assist (HSA) switch is located on the center console.

HSA keeps the brake pressure applied briefly to help prevent the vehicle from rolling on inclines as you move your foot from the brake pedal to the accelerator pedal.



To operate HSA:

1. Press and hold the brake pedal to hold the vehicle.
2. Make sure the shift select lever is in "H" or "L" when facing uphill, or "R" when facing downhill.
3. Press and hold the HSA switch until the HSA indicator comes on on the display.

(cont'd)

Driver Controls

4. Release the pressure from the brake pedal and apply the accelerator.
 - HSA is active for 1.5 seconds or until the accelerator is applied. HSA will self cancel if the accelerator is not applied within 1.5 seconds of pushing the HSA button.
 - HSA is not a parking brake.
 - HSA may not prevent the vehicle from rolling downhill if the vehicle is overloaded, on a steep hill, or sliding in slippery conditions.

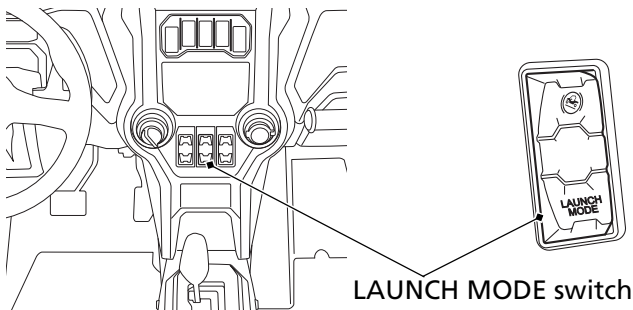
NOTICE

Avoid prolonged Hill Start Assist (HSA) use, as continuous operation may cause the system to overheat and fail.

LAUNCH MODE Switch

The LAUNCH MODE switch is under the HSA switch.

The LAUNCH MODE switch is used to operate the launch mode. For launch mode operation procedure, see page 98.



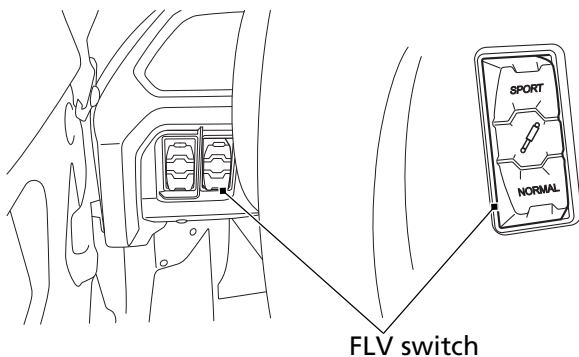
Driver Controls

FOX® Live Valve (FLV) Switch (SXS1000S4XD only)

The FLV switch is located on the left side of the steering wheel, and has two modes: NORMAL mode and SPORT mode.

The FLV switch is used to change between NORMAL mode and SPORT mode of FOX Live Valve (FLV) system.

For more information on FOX Live Valve (FLV) system, see page 183.

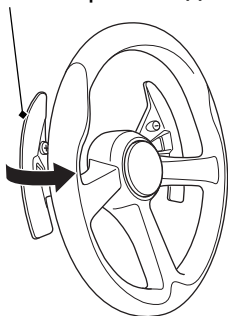


Driver Controls

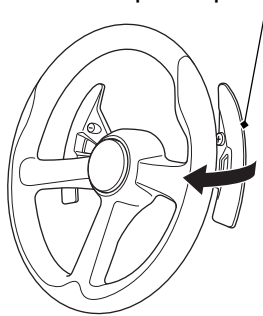
Shift Paddles

Your Honda SXS is equipped with a pair of shift paddles that are located behind the steering wheel.

downshift paddle (-)



upshift paddle (+)



Pull the upshift paddle (+) to shift to a higher gear position and the downshift paddle (-) to shift to a lower gear position.

In MT mode, operate the shift paddles to drive the SXS.

In AT mode, you can drive the SXS without operating the shift paddles. You can also operate the shift paddles to temporarily change the gear position. (See page 90 for more information)

Driver Controls

Steering Wheel Adjustment Lever

Your Honda SXS is equipped with a height-adjustable steering wheel. Adjust the steering wheel position so that you can comfortably grip the steering wheel in an appropriate driving posture.

WARNING

Adjusting the steering wheel position while driving may cause you to lose control of the vehicle and be seriously injured in a crash. Adjust the steering wheel only when the vehicle is stopped.

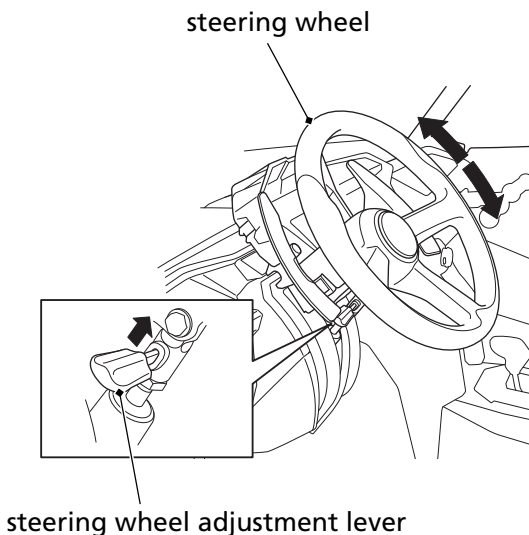
NOTICE

The steering wheel position damper unit contains high pressure nitrogen gas. Do not attempt to disassemble, service, or improperly dispose of the damper. See your dealer.

Driver Controls

Adjustment

1. Hold the steering wheel and pull the steering wheel adjustment lever up towards you.
2. While pulling the steering wheel adjustment lever towards you, adjust the steering wheel position.
3. Release the steering wheel adjustment lever.
4. After adjusting the position, make sure you have securely locked the steering wheel in place by trying to move it up and down.



Doors

Your Honda SXS is equipped with doors to prevent branches, gravel, or other debris from getting inside the driver's compartment, and to keep the driver's and passenger's legs and feet inside the vehicle if your vehicle ever tips or overturns. Be sure all doors are securely closed before driving your Honda SXS, and never remove a door.

If a door is damaged or does not close securely, see your dealer for repair or replacement.
Do not drive the Honda SXS with the doors open or removed.

All doors can be opened and closed in the same manner.

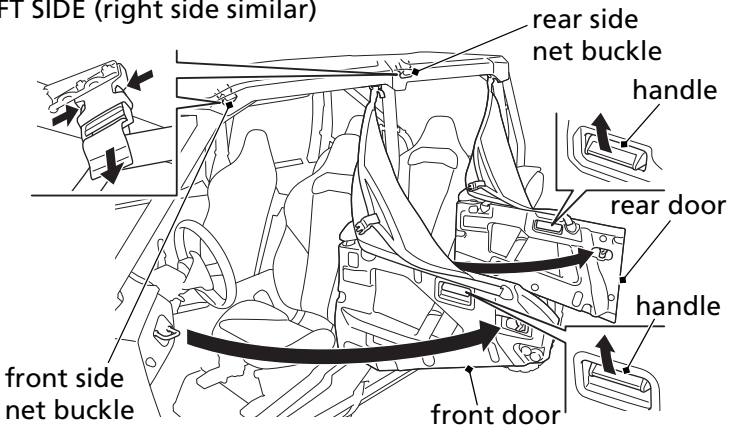
Open

1. Release the side net buckle.
2. Pull up on the handle.
3. Open the door.

Close

1. Close the door securely until the second latch click is heard.
2. Fasten the side net buckle.
3. Make sure the door is closed securely.

LEFT SIDE (right side similar)



Doors

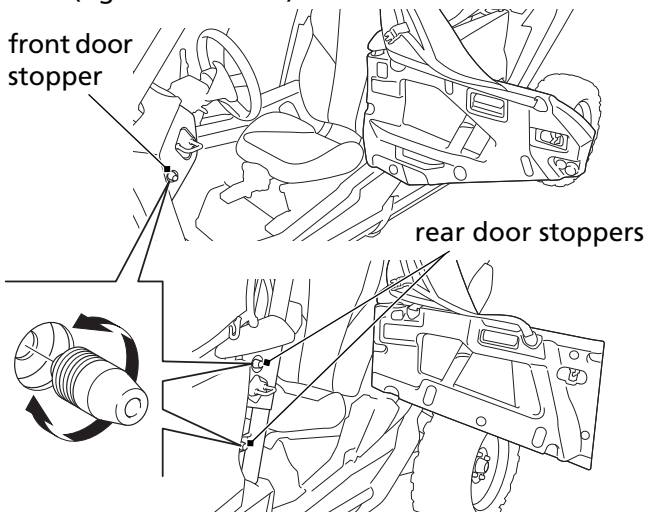
If the doors rattle when closed, turn the door stopper counterclockwise to adjust the doors. Each door has a double latching mechanism. Adjust the door stoppers so that it latches on the second click.

All doors can be adjusted in the same manner.

Adjustment

1. Open the front door or rear door (page 51).
2. front door:
Turn the door stopper counterclockwise to extend it, and clockwise to retract it.
rear door:
Turn the door stoppers counterclockwise to extend them, and clockwise to retract them.
3. Make sure the door is closed securely until the second latch click is heard.

LEFT SIDE (right side similar)



Side Nets

Your Honda SXS is equipped with side nets to prevent branches, or other debris from getting inside the driver's compartment, and to keep the driver's and passenger's hands and arms inside the occupant protective structure (OPS) if the vehicle ever tips or overturns.

The side nets are secured to the OPS with side net D-rings and side net buckles. To function properly, the side nets should be tight. If a side net is loose, tighten the belts on the side net D-rings.

Be sure the side nets are properly latched before driving your Honda SXS, and never remove side nets from the vehicle. Inspect the condition of the side net and its mounting hardware. If there is wear, deterioration, damage, or they do not latch and tighten securely, see your dealer for repair or replacement.

Side Nets

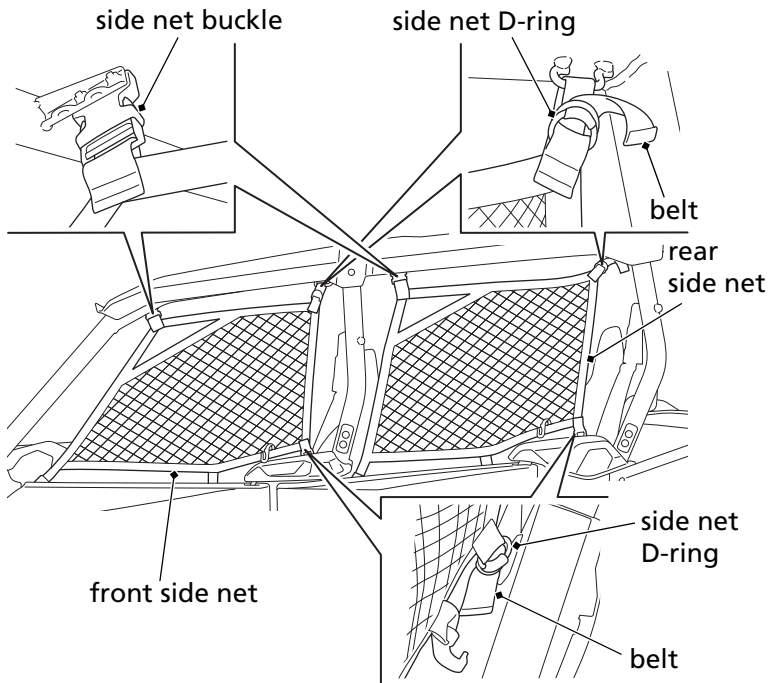
Side Nets Set Up

All side nets can be set up in the same manner.

Inspect the side nets and their mounting hardware for damage as specified in the maintenance schedule on page 121.

1. Tighten the belts on the side net D-rings.
2. Fasten the side net buckle.

LEFT SIDE (right side similar)



Side Nets

Side Nets Folding in Half

The side nets can be folded in half to make cleaning and maintaining your Honda SXS a little easier.

All side nets can be folded in the same manner.

To Fold the Side Net

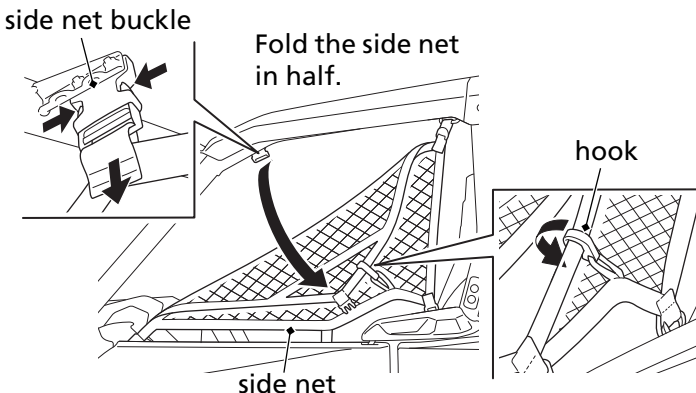
1. Release the side net buckle.
2. Fold the side net in half towards outside of the vehicle.
3. Grab the hook and secure the side net by hooking on to the net outer profile.

To Spread the Side Net

1. Unhook the hook from side net and spread the side net.
2. Fasten the side net buckle.

Always return the side nets to their normal positions, properly fastened, and tightened before driving.

LEFT FRONT SIDE (right front side, left and right rear sides similar)



Seat

Seat

Your Honda SXS is equipped with four bucket seats that are designed to carry a driver and up to three passengers.

CAUTION

Driving with cargo on the passenger seats can interfere with the driver's ability to control the vehicle.

Cargo on the passenger seats can be thrown around causing injury or a crash.

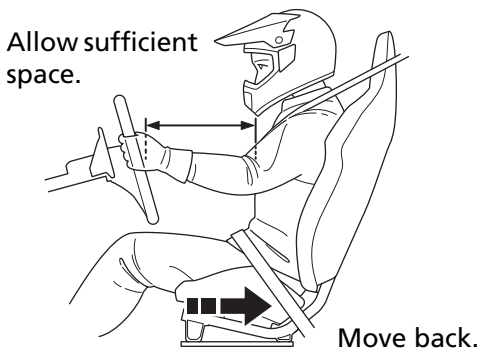
Do not drive with any cargo on the passenger seats. Properly secure all cargo in the cargo area.

Driver Seat Position Adjustment

The driver seat can be adjusted to suit the drivers preference. Adjust the drivers seat to the desired position that allows the driver to maintain full control of the vehicle.

The driver should be able to sit upright with back against the seat-back, be able to properly reach the pedals, and be able to grip the steering wheel comfortably with both hands.

Allow sufficient space between the center of the steering wheel and drivers chest.



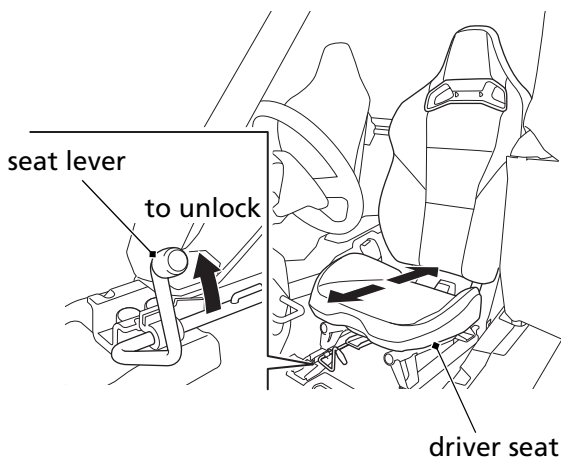
Always make driver seat adjustment before driving.
The passenger seats do not have seat position adjustments.

Seat

Adjustment

1. Sit down in the driver seat.
2. Pull up on the seat lever to unlock the seat, while pulling up on the seat lever slide the driver seat to your preferred position.
The driver seat adjustment has 6 positions to select from.
3. Release the seat lever to lock the seat in place.

Once the seat is adjusted correctly, rock it back and forth to make sure it is locked in position.



Seat Belts

Your Honda SXS is equipped with lap/shoulder seat belts in each seating position. A seat belt keeps you connected to the vehicle so you won't be thrown out during a crash or rollover. Together with a proper helmet, a seat belt is your best protection against serious injuries in any type of crash, so make sure you and your passengers always buckle up before driving.

WARNING

Not wearing a seat belt, or wearing one improperly, can result in serious injury or death in a crash or rollover.

Make sure the driver and any passengers always wear their seat belts properly.

Of course, seat belts cannot completely protect you in every crash. But in most cases, seat belts can reduce your risk of serious injury.

Seat Belts

Seat Belt Speed Limiting System

When the driver's seat belt is not latched properly, the maximum vehicle speed will be limited by the seat belt speed limiting system.

When the driver's seat belt is not latched, the seat belt speed limiting system will:

- Limit the maximum vehicle speed to no more than 15 mph (24 km/h).
- Cause the seat belt indicator and speedometer to blink simultaneously.

To return the vehicle to normal operation the driver must:

1. Properly deploy and latch their seat belt.
2. Release the throttle for one second if the vehicle is moving.

The speed limitation will be removed and seat belt indicator and speedometer will stop blinking after the driver follows this procedure and correctly deploys and fastens their seat belt.

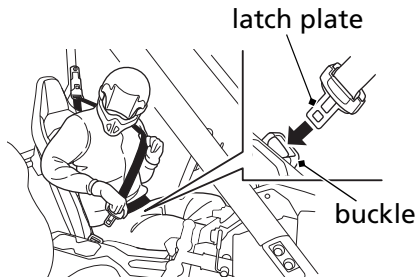
To avoid speed limitations altogether, the driver should always deploy and fasten their seat belt (and require all passengers to be securely belted) before driving the vehicle and keep their seat belt fastened while underway. If the driver unlatches their seat belt while the vehicle is travelling at speeds greater than 15 mph (24 km/h), the vehicle speed will be limited to 15 mph or less until the driver's seat belt is deployed and properly latched and throttle is released for one second.

Seat Belts

How you wear a seat belt also matters. For the best protection:

All seat belts can be secured in the same manner.

1. Insert the latch plate into the buckle, then tug on the belt to make sure it is securely latched.



2. Check that the belt is not twisted, because a twisted belt can cause injuries.
3. Position the lap part of the belt as low as possible across your hips, then pull up on the shoulder part of the belt to make sure the lap part is snug. This keeps you connected to the vehicle and lets your strong pelvic bones take the force of a crash.
4. Make sure the shoulder part of the belt goes over your shoulder and rests against your chest.



To unlatch a seat belt, press the red PUSH button on the buckle.

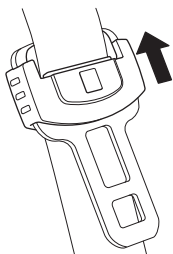
Seat Belts

Seat Belt Locking Mechanism

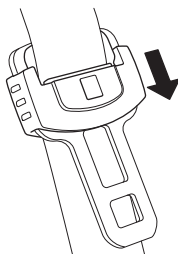
The seat belts in your Honda SXS are equipped with a belt locking mechanism.

The belt locking mechanism is in the holder of the latch plate. When the seat belt is subjected to intense forces during a crash or rollover, part of the holder locks the belt.

LOCK POSITION

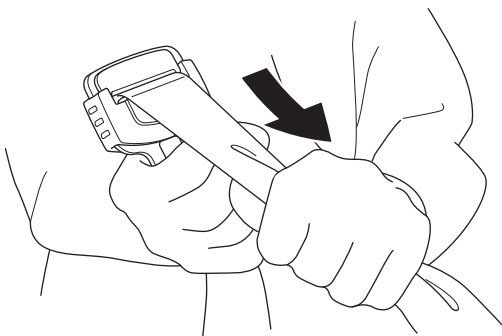


**UNLOCK POSITION
(ORDINARY USE)**



Unlock

1. To unlatch a seat belt, press the red PUSH button on the buckles.
2. Hold the latch plate and one side of the belt, and pull the other side of the belt. Doing so unlocks part of the holder.



Seat Belts

If you have been driving in an extremely muddy or dusty area, be sure to inspect your belt and remove any dirt or debris before letting the belt retract into the retractor. Failure to do so could clog the retractor and make it inoperable.

Each seat belt has an emergency locking retractor. In normal driving conditions, the retractor lets you move freely in your seat while keeping some tension on the belt. During a crash or rollover, the retractor automatically locks the belt to help restrain your body.

Do not put any accessories on a seat belt, as that may reduce the effectiveness of the belt and increase the chance of injury in a crash.

If a seat belt is worn in a crash, the seat belt assembly must be replaced by your dealer. A belt that has been worn during a crash may not provide the same level of protection in a subsequent incident. The dealer should check the retractor and replace it if needed.

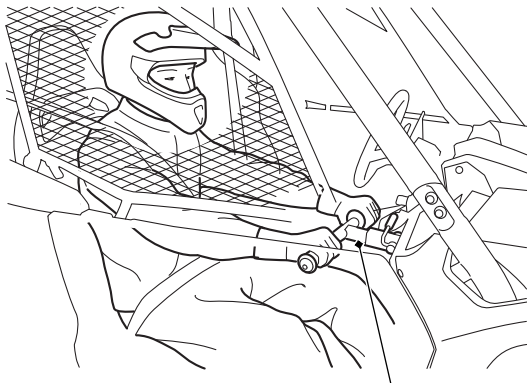
Seat belt washing procedure

1. Fully extend seat belt.
2. Rinse entire length of seat belt by spraying with water from a low pressure hose.
3. Leave belt extended until dry.

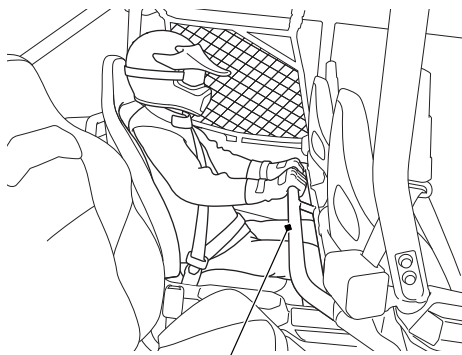
Passenger Handhold

Passenger Handhold

Your Honda SXS has front and rear passenger handholds to give passengers extra support when the vehicle travels over rough or bumpy terrain. The passengers can also brace their feet against the floorboard.



front passenger handhold



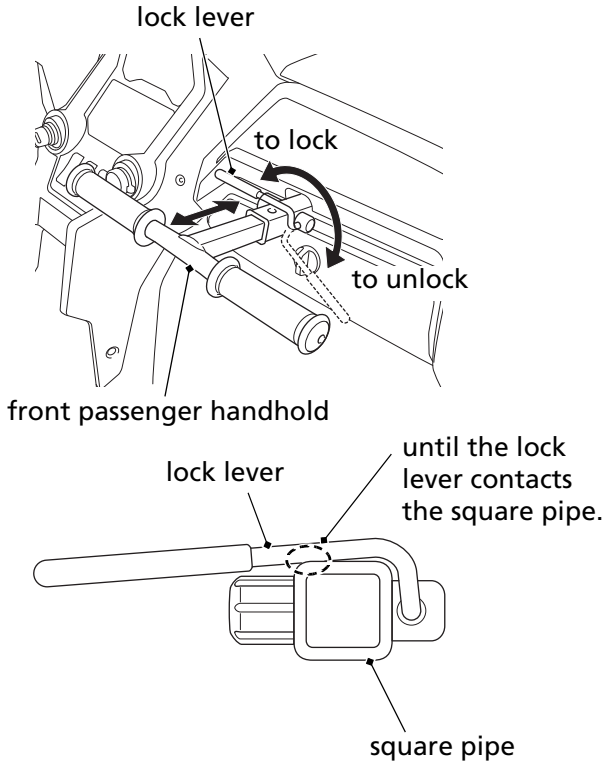
rear passenger handhold

Passenger Handhold

Front Passenger Handhold Adjustment

1. Release the lock lever.
2. Adjust the handhold position so that the passenger can grip the handhold securely in a comfortable riding posture.
3. Secure the lock lever tightly until it contacts the square pipe.

Once the passenger handhold is adjusted correctly, pull it back and forth to make sure it is locked in position.

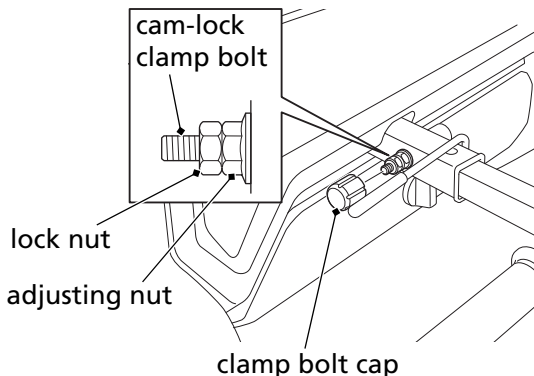


Passenger Handhold

If the passenger handhold is not secured firmly, re-tighten the adjusting nut and lock nut of the handhold to the specified torque in the following procedure.

1. Secure the lock lever tightly until it contacts the square pipe.
2. Remove the clamp bolt cap and loosen the lock nut and adjusting nut.
3. Tighten the adjusting nut to the specified torque:
13 lbf·ft (17 N·m, 1.7 kgf·m)
4. Tighten the lock nut to the specified torque while holding the adjusting nut:
20 lbf·ft (26.5 N·m, 2.7 kgf·m)
5. Install the clamp bolt cap.
6. Adjust the handhold position (page 65).

Once the passenger handhold is adjusted correctly, pull it back and forth to make sure it is locked in position.



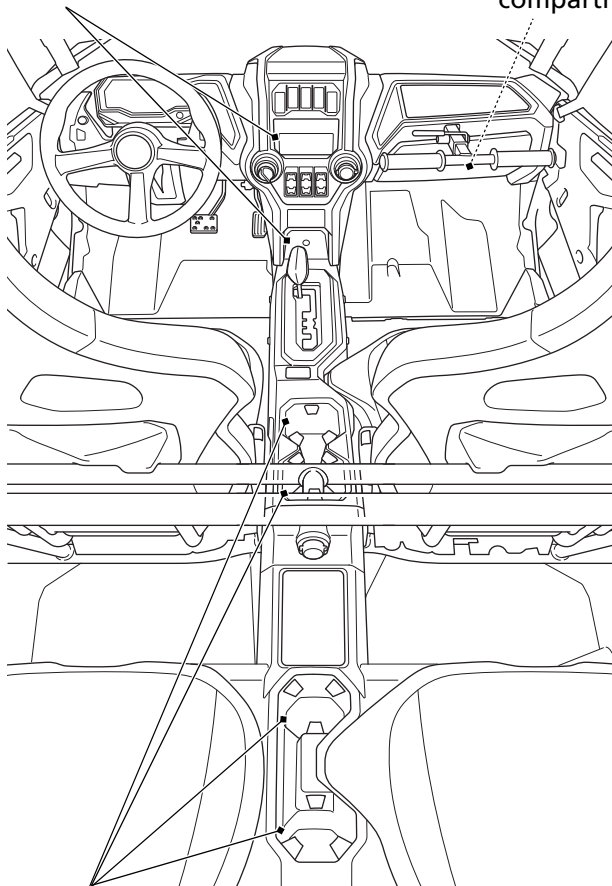
Do not apply a grease or lubrication to the handhold slider surface and cam-lock clamp.

Storage Compartments

Your Honda SXS has a document compartment, two glove boxes and four drink holders where you can carry small, lightweight items.

glove boxes

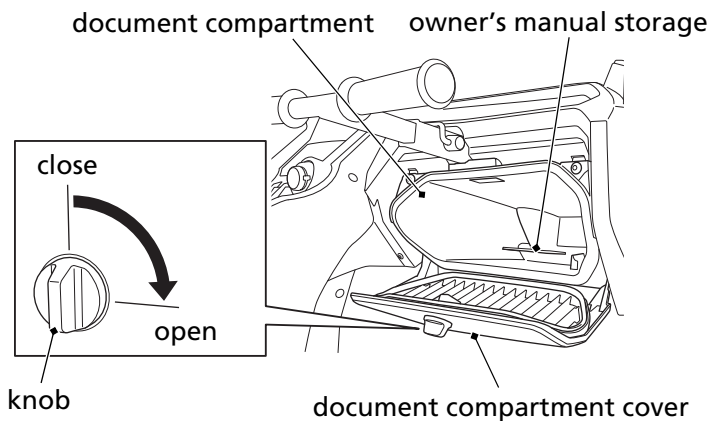
document
compartment



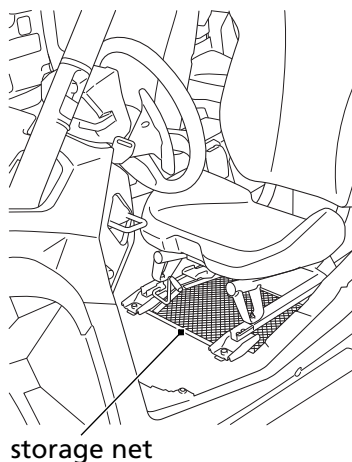
drink holders

Storage Compartments

To open the document compartment, turn the knob clockwise.
To close the document compartment, turn the knob counterclockwise.



The storage net is located under the driver seat.



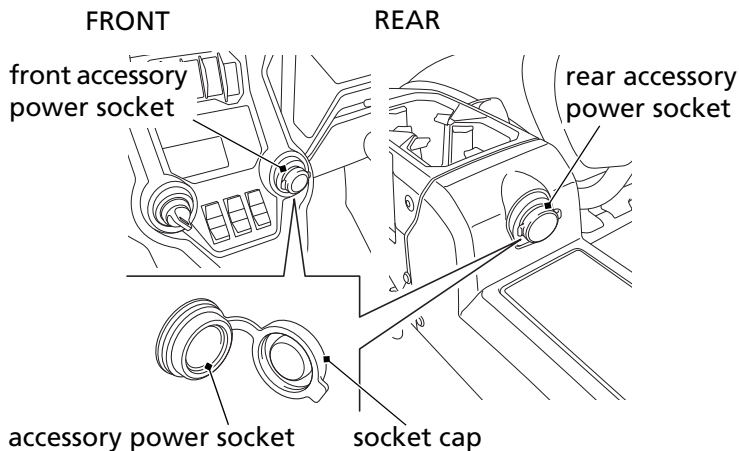
Accessory Power Socket

Your Honda SXS has two accessory power sockets.

The front accessory power socket is located on the right side of ignition switch. The rear accessory power socket is located on the rear end of the center console.

The sockets are intended for 12-volt DC accessories rated for 120 watts (10 amps) or less. Exceeding the limit can blow the accessory socket fuse (see page 242).

The sockets can be used to power such items as a trouble light, spotlight, CB radio, or cell phone, but not a heat-generating accessory, such as a car cigarette lighter.



To use an accessory power socket, the engine must be running.

NOTICE

Using any heat-generating accessory or improperly rated accessory can damage the socket.

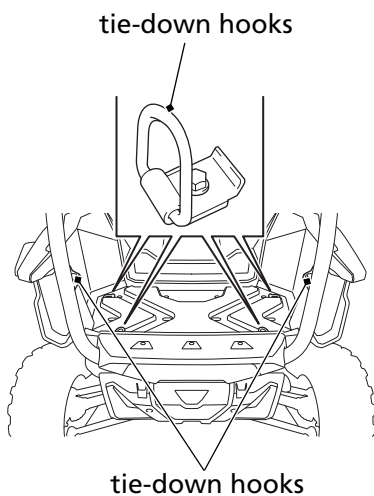
Remember to close the caps when you are finished using accessories, and keep water or other fluids away from the sockets.

Cargo Bed

See page 84 for *Loading Cargo* when driving with cargo in the bed.

Tie-Down Hooks

The cargo bed has tie-down hooks for securing items in the bed. Before using the tie-down hooks, select a firm level surface and shift the shift select lever into the park (P) position.

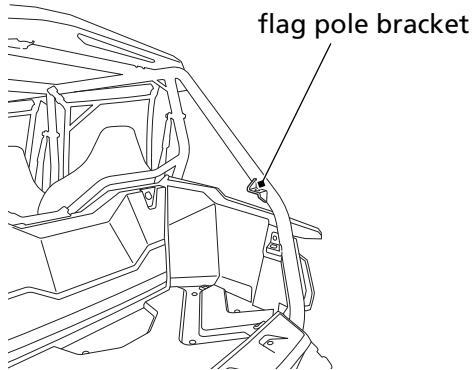


Flag Pole Bracket

Flag poles are optional equipment available from your Honda dealer. To mount a pole in the bracket, follow the instructions that come with the flag pole kit.

Flag poles are required in some driving areas. Check local regulations before driving.

RIGHT REAR



Electronic Brakeforce Distribution (EBD)

Your Honda SXS is equipped with an Electronic Brakeforce Distribution (EBD).

To improve vehicle stability when the brakes are applied, EBD adjusts the braking force distribution between the front and rear brakes according to traction conditions.

During hard stops the brake pedal may become stiff, then quickly return to normal feel. This is due to EBD activating, this is normal.

Electric Power Steering (EPS)

This SXS is equipped with an electronically controlled, electric power-assisted steering system.

While the engine is running, the Electric Power Steering (EPS) system provides power from the electric motor, which helps you to turn the SXS's steering wheel more easily.

The EPS system on this SXS utilizes an overheat protection feature to prevent damage to system components. In certain extended, repetitive high-load situations the electric power steering (EPS) indicator will illuminate and the system will reduce or even disable power steering assist. The steering will perform as a normal non-EPS system during this brief period. If this occurs, safely stop the vehicle and allow the EPS system to cool down until the electric power steering (EPS) indicator goes off. After cooling down, steering will return to normal EPS operation.

The electric power steering (EPS) indicator should light when the ignition switch is turned ON (I) and remain on until the engine is started.

The electric power steering (EPS) indicator also lights when there is any abnormality in the EPS system. If this occurs, the electric power assist for turning will not be available, but the manual steering system will perform as usual.

If the electric power steering (EPS) indicator lights at any time while riding, other than the temporary overheat condition described above, reduce speed and take your SXS to your dealer as soon as possible. Continuing to ride with a EPS system problem can damage system components.

Do not modify your EPS system. In case of a malfunction, take your SXS to your dealer.

This page intentionally left blank.

Before Driving

Before driving your SXS, you need to make sure you and your vehicle are both ready. This section discusses how to evaluate your driving readiness and what items you should check on your vehicle. It also includes important information about loading cargo.

Are You Ready to Drive?	76
Age & Size Recommendations	76
Protective Apparel	77
Get to Know Your Vehicle	78
Don't Drink & Drive	78
Is Your Vehicle Ready to Drive?	79
Pre-drive Inspection	80
Loading Cargo	84
Load Limit	84
Loading Guidelines	85

Are You Ready to Drive?

Before driving your Honda SXS for the first time, we urge you to carefully read this owner's manual and the labels on your vehicle and make sure you understand all the safety information.

Age & Size Recommendations

The driver should be at least 16 years old and tall enough to wear their seat belt properly (page 59) and operate all the controls. Your passengers should also be tall enough to wear the seat belt properly and ride with both feet on the floor.

WARNING

Allowing a person who is too young or too small to drive this vehicle or ride as a passenger could result in serious injury or death in a crash.

Follow all instructions and guidelines in this owner's manual regarding the proper age and size for a driver and a passenger.

Are You Ready to Drive?

Protective Apparel

To help prevent head injury from striking an occupant protective structure (OPS) or other hard object, we recommend that occupants always wear a helmet secured with a chin strap.

To protect the eyes from brush and flying objects, we also recommend that occupants wear impact-resistant goggles or a face shield.

For your safety, we also recommend that you always wear boots, gloves, long pants, and a long-sleeved shirt or jacket whenever you drive.

WARNING

Driving or riding in this vehicle without a proper helmet, eye protection and other protective gear can result in serious injury or death in a crash.

Always wear a helmet secured with a chin strap, eye protection (goggles or face shield) and other protective gear when driving or riding in this vehicle.

Are You Ready to Drive?

Get to Know Your Vehicle

Because all vehicles have unique characteristics, it's important to learn how this one operates and handles. We recommend that you take time to practice using the different controls, and get accustomed to how the vehicle accelerates, brakes, and turns in different driving modes, on different surfaces, and on different terrain conditions.

Don't Drink & Drive

It's well known that alcohol and drugs can seriously affect a person's judgment, perception, and ability to safely operate any vehicle. We therefore strongly recommend that you do not drive, or let anyone else drive or ride in this vehicle, after consuming alcohol or drugs.

WARNING

Operating this vehicle after consuming alcohol or drugs can result in a crash in which you or others can be seriously injured or killed.

Never drive this vehicle after consuming alcohol or drugs.

Is Your Vehicle Ready to Drive?

Before driving your Honda SXS, it's important to inspect the vehicle and correct any problem you find. A pre-drive inspection is a must, not only for safety, but because having a breakdown can be a major inconvenience.

If your vehicle has overturned or been involved in a crash, do not drive it until it has been inspected by your dealer. There may be damage or other problems you cannot see.

WARNING

Improperly maintaining this vehicle or failing to correct a problem before driving can cause a crash in which you or someone else can be seriously hurt or killed.

Always perform a pre-drive inspection and correct any problems before you operate the vehicle.

Is Your Vehicle Ready to Drive?

Pre-drive Inspection

Check the following items before driving your Honda SXS:

- Oil Level* Check the engine and sub-transmission oil levels and add oil, if needed (pages 142, 152). Also check under the vehicle for leaks.
- Coolant* Check the coolant level (page 162). If it is low, add a 50/50 mixture of silicate-free coolant and distilled water.
Check for leaks.
- Fuel Level* Check the fuel gauge (page 27) and add fuel, if needed (page 137). Make sure the fuel fill cap is secure. Also check for the smell of fuel or fumes - if you smell any fuel, turn the ignition switch to OFF (O) immediately, and see your dealer.
- Brake Fluid* Check the level (page 189). If it is near MIN, check the brake pads for wear (page 191). If the brake pads are within the specification, check for leaks in the braking system (page 188).
- Tires* Check the air pressure of all tires and inflate them to the proper pressure (page 195). Also inspect the tires for damage or excessive wear (page 197). If necessary see your dealer.
- Wheels* Make sure the wheel nuts are properly tightened and the wheels are not cracked or deformed (page 202).
- Driveshafts* Inspect the driveshafts and boots for damage, tears, or leaks and see your dealer if any are found.

Is Your Vehicle Ready to Drive?

- Steering* Check the steering to make sure it turns smoothly in both directions. Check that there is no binding or play in the steering. Check for any tears in the boots.
- Gearbox and Boots* If any tears are found, see your dealer.
- Underbody* Check for and remove any debris stuck in the underbody; take extra care in your inspection if the vehicle was last driven in deep grass, brush, a wetland, or flooded area. Check for any visible dents or cracks. If any dents or cracks are found, see your dealer.
- Air Cleaner* Inspect the air cleaner element. If necessary, replace the air cleaner element (page 167).
- Air Cleaner Housing* Check for deposits in the drain tubes. If necessary, clean the tubes (page 169) and check the air cleaner housing.
- Drain Tubes*
- Suspension* Check the condition of all suspension components. Be sure to look for bends or oil leaks in the cushion damper. Check for tears in the boots of the front arm ball joints.
- Lights* Make sure the headlights, taillights, and brake lights are working properly.
- Controls* Check that all driving controls, including the accelerator pedal, brake pedal, drive mode select switch, shift select lever, and shift paddles are operating smoothly.

(cont'd)

Is Your Vehicle Ready to Drive?

Tie-rod Ends The wheels need to be lifted off the ground to correctly check the tie-rod ends, so it cannot be done in the pre-drive inspection. To have the tie-rod ends properly inspected, see your dealer.

Cargo Be sure items in the cargo bed are within the cargo limit and are properly secured to prevent shifting (pages 84, 85).

Seat Position Make sure the driver seat is secured in the proper seat position. If necessary, adjust the seat position (page 57).

Seat Belts Make sure all seat belts are in good condition and operate properly. The seat belts must move smoothly when pulled out, and retract on their own when released. The latch plates should click securely into the buckles and release when the release buttons are pushed firmly.

Side Nets Make sure all side nets and their mounting hardware are in good condition and that they latch and tighten securely.

Is Your Vehicle Ready to Drive?

Exhaust System

Make sure no materials or debris are sticking to, or accumulating around, the exhaust system. If any such debris is found, remove it so there's no chance for it to catch on fire. Start the engine and listen for any leaks.

CAUTION

Exhaust system operates at very high temperatures.

You can be burned if you touch the exhaust system.

Do not touch the exhaust system without letting the system cool down.

NOTICE

Exhaust system operates at very high temperatures.

Accumulated debris and vegetation that contact the exhaust can catch on fire.

Always conduct a pre-drive inspection and remove accumulated debris.

Remember to take care of any problem you find or have your dealer correct it before you drive your Honda SXS.

Loading Cargo

Your vehicle was designed to carry cargo. However, carrying a load that is too heavy or improperly loaded can adversely affect your vehicle's handling, stability, and stopping distance and make it unsafe. Before carrying any type of cargo, be sure to read the following pages.

Load Limit

See page 107 for guidelines on driving with cargo.

Maximum weight capacity = 1,164 lb (528 kg)

This includes the weight of cargo, occupants and accessories.

Maximum cargo weight = 299 lb (136 kg)

This includes all items in the cargo bed and any accessories.

WARNING

Overloading the cargo bed or failing to secure cargo properly can cause a crash in which you or others could be seriously hurt or killed.

Follow the cargo limits and loading guidelines in this owner's manual.

Loading Cargo

Loading Guidelines

- Make sure the tires are properly inflated (page 195).
- Place all items on the floor of the cargo bed, and as far forward and centered as possible.
- Use the tie-down hooks (page 70) to secure any items that could shift position while you are driving.
- Do not let items extend over the side rails, as they could get caught on something.
- Be aware that carrying tall, heavy items will significantly raise the vehicle's center of gravity, increasing the chance of a rollover.
- Never let a passenger ride in the cargo area or hang onto the side of the vehicle, even for a short distance. The person could be thrown off the vehicle or cause a crash.
- Before driving with heavy cargo, shift the shift select lever into low-range (L) position.

WARNING

Driving with a passenger in the cargo area can result in very serious injury or death if the person is thrown against the vehicle or out of the bed.

A passenger should only ride in the passenger's seat and wear their seat belt properly.

This page intentionally left blank.

Basic Operation & Driving Guidelines

This section gives information on how to start and stop your engine. It also provides guidelines for operating on different types of terrain, and driving with cargo.

Basic Operation	88
Starting & Stopping the Engine	88
Shifting Gears	90
Selecting a Drive Mode	97
Operating Launch Mode	98
Parking	102
Driving Guidelines	103
Safe Driving Precautions	103
Off-road Driving Considerations.....	105
Basic Driving	107
Driving on Hills	108
Driving Through Water	111
Driving at Night	112

Basic Operation

Starting & Stopping the Engine

For safety, we recommend that you start the engine in a well-ventilated area. If that is not practical, move the vehicle outdoors as soon as possible. The engine's exhaust contains carbon monoxide, a colorless and odorless gas that can cause illness and even death.

WARNING

Running the engine of your vehicle while in an enclosed or even partially enclosed area can cause a rapid build-up of toxic carbon monoxide gas.

Breathing this colorless, odorless gas can quickly cause unconsciousness and lead to death.

Only run your vehicle's engine when it is located in a well ventilated area outdoors.

The starter motor will operate when the shift select lever is in the park (P) or neutral (N) position, or the brake pedal is pressed. You should do the following checks and adjustments before you drive your vehicle.

Before START:

1. Check that any items you may be carrying are stored properly or fastened down securely.
2. Make sure the doors, side nets and front hood are securely closed.
3. Fasten your seat belt. Check that any passenger have fastened their seat belt as well.
4. When you start the engine, check the indicators in the instrument panel.

Basic Operation

Starting the engine:

1. Shift the shift select lever into the park (P) position.
2. Press on the brake pedal.
3. Without touching the accelerator pedal, insert the key and turn the ignition switch to the START (II) position.
Immediately after the engine starts, let go of the key. The switch returns to the ON (I) position.
Do not hold the key in the START (II) position for more than 5 seconds at a time.
If the engine does not start after 5 seconds, turn the key back to the OFF (O) position and wait about 10 seconds before turning it to START (II) again.

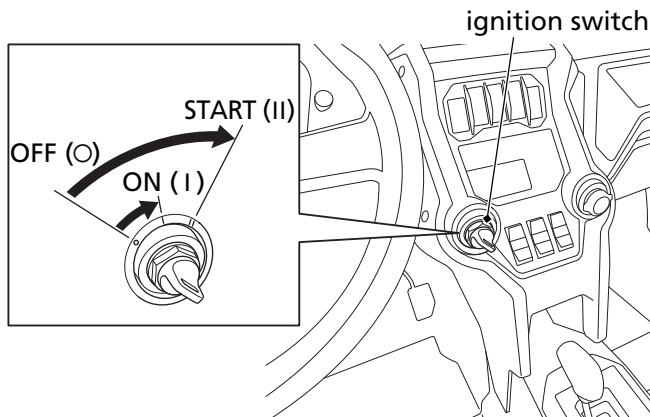
If the engine fails to start after repeated attempts, it may be flooded with excess fuel. To clear a flooded engine:

1. Press the accelerator pedal all the way down. The engine will not start when the throttle is fully open because the electronic control unit shuts off the fuel supply.
2. Turn the ignition switch to the START (II) position for 5 seconds to clear flooding.
3. Follow the normal starting procedure.
4. If the engine does not start, wait 10 seconds, then follow steps 1 – 3 again.

If the engine still won't start, see *If Your Engine Quits or Won't Start*, page 228.

(cont'd)

Basic Operation



Stopping the engine:

To stop the engine, turn the ignition switch to the OFF (O) position. Remember to shift into the park (P) position and remove the key if you plan to leave the vehicle.

Shifting Gears

You can move forward or in reverse by shifting the shift select lever from P or N, to R, H, or L.

Your Honda SXS is equipped with a dual clutch transmission, which is an automatically controlled 6-speed transmission.

When the shift select lever is in the high-range (H) or low-range (L) position, you can switch between AT mode and MT mode by pressing the AT/MT switch. In AT mode, you can use the shift paddles to temporarily select a gear.

To avoid damaging the transmission, move the shift select lever only when the vehicle is stopped and the engine is idling.

Select a driving mode appropriate for your driving environment and driver visibility.

Basic Operation

NOTICE

Under extreme constant high load usage, the temperature of the clutch can rise over the allowable temperature limit for the clutch material. In this usage condition, clutch slippage and burning may occur and the clutch temperature indicator may flash.

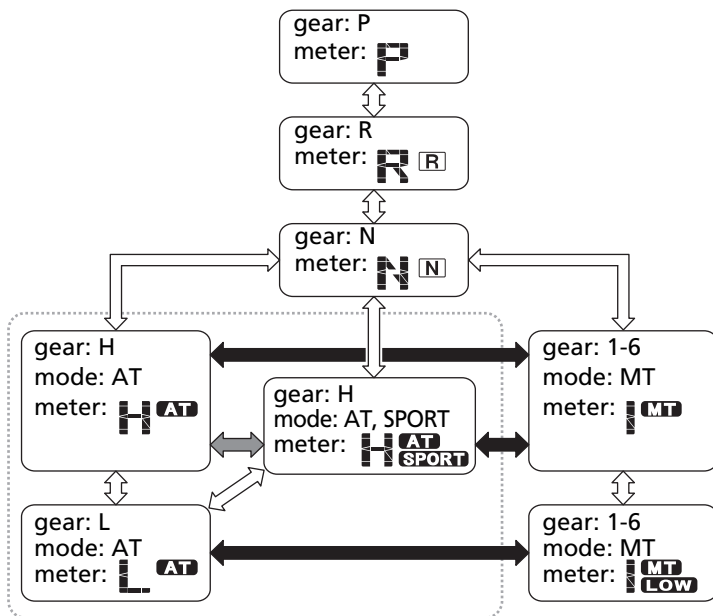
To avoid damaging the clutch, follow the proper usage of the sub-transmission dual range as described.

To prevent clutch damage, do not use the throttle to hold the vehicle stationary on an incline or try to pull an immovable object.

If the clutch temperature indicator flashes while driving, see page 240.

Basic Operation

Shift Position and Meter Display



- ⇨ shift the shift select lever
- ➡ push the AT/MT switch
- ➡ push the SPORT switch
- ⋯ shift override using shift paddles is available. during shift override, shifted gears (1 – 6) are displayed

Basic Operation

Selecting a Shift Position

Your Honda SXS has five shift select lever positions: park (P), reverse (R), neutral (N), high-range (H), and low-range (L).

P Park:
Used when parking or starting the engine.

R Reverse:
Used when driving in reverse.

N Neutral:
Used when idling the engine during a temporary stop.

H High-range:
Used when driving forward on hard surfaces or with light cargo.

You can switch between AT mode and MT mode by pressing the AT/MT switch. You can also select SPORT mode in AT mode.

L Low-range:
Used when driving forward in the following situations:

- When driving with heavy cargo
- When ascending steep hills
- When driving over large obstacles
- When driving at a constant low speed (5 mph [8 km/h] or below)

You can switch between AT mode and MT mode by pressing the AT/MT switch.

To avoid damaging the transmission, move the shift select lever only when the vehicle is stopped and the engine is idling.

Basic Operation

Selecting a AT/MT Mode

Your Honda SXS has 2 transmission modes: AT mode and MT mode.

AT AT mode:

This mode automatically shifts the gears with optimal timing according to your driving conditions.

You can temporarily shift up or down by operating the shift paddles while driving in AT mode. The shifted gear will be shown on the gear position indicator.

MT MT mode:

In this mode, the gears are shifted manually through shift paddle operation.

- Pulling the shift paddle does not continuously shift the gears. To continue shifting, release your fingers from the shift paddle, and then pull the shift paddle again.
- The gears do not shift up automatically in MT mode. Do not allow the engine to exceed the rev limit.
- The gears shift down automatically when you slow down, even in MT mode.
- You will start from 1st gear when MT mode is selected.

For details on shift paddles operation in MT mode, see page 96.

When using the AT/MT switch to switch between AT mode and MT mode, be sure the shift select lever is in the high-range (H) or low-range (L) position.

Selecting SPORT Mode

SPORT SPORT mode:

When using the SPORT switch, shift the shift select lever to the high-range (H) position, and select AT mode. When SPORT mode is turned on, the SPORT indicator comes on.

In SPORT mode, high engine revolutions is used compared to normal AT mode.

Basic Operation

Temporarily changing gears by operating the shift paddle while AT mode is selected

You can temporarily change gears by operating the shift paddles even while AT mode is selected.

When operating the shift paddles while AT mode is selected, the “H” or “L” displayed in the gear position indicator of the multi-function display changes to a gear position number (1 – 6). (The AT indicator stays on)

Because the gear change is temporary, the vehicle automatically returns to normal AT mode under the following conditions:

- When the shift paddles are not operated for a prescribed time
- When the vehicle speed is reduced and automatically downshifts
- When the AT/MT switch is pressed
- When the SPORT switch is pressed
- When the shift select lever is operated

Shift Limit:

During MT mode, downshifts may not be executed if it causes the engine to exceed the rev limit.

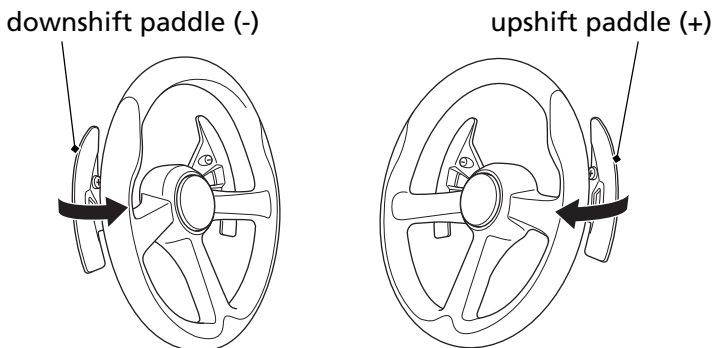
NOTICE

To prevent clutch damage, do not use the throttle to hold the vehicle stationary on an incline or try to pull an immovable object.

Basic Operation

Driving by operating the shift paddles while MT mode is selected
To upshift the transmission, pull the right side upshift paddle once.
To downshift the transmission, pull the left side downshift paddle once.

GEAR SHIFTING SEQUENCE



After starting the engine and letting it warm up, follow this procedure:

1. Press the brake pedal.
2. With the throttle closed, select the shift select lever into high-range (H) or low-range (L) position and then select MT mode by pressing the AT/MT switch.
3. Release pressure from the brake pedal and increase engine speed by gradually pressing the accelerator pedal.
4. When speed increases, shift to 2nd gear by pulling the upshift paddle once.
5. Repeat this sequence to progressively upshift to 3rd, 4th, 5th, and 6th (top) gear.
6. To downshift, pull the downshift paddle once.

Basic Operation

Selecting a Drive Mode

You can change the drive mode at any time the engine is running. See page 41 for additional information.

2WD

This mode supplies power to the rear wheels. This mode is best for surfaces that provide good traction.

I - 4WD

This mode supplies power to the front and rear wheels. In addition, Brake Traction Control System (BTCS) will work to enhance vehicle stability in slippery conditions.

Brake Traction Control System (BTCS):

BTCS applies the front brake in slippery conditions to help prevent loss of traction due to wheel spin when applying the accelerator pedal.

When applying the brake while BTCS is operating, the brake pedal will have a flutter feel. This is normal.

Basic Operation

Operating Launch Mode

Launch Mode allows the DCT start clutch to be engaged from a high engine speed which increases vehicle acceleration.

WARNING

Only use Launch Mode on flat ground, with a clear path in front and sides of your vehicle.

Do not use Launch Mode when carrying cargo, on slippery surfaces or when the vehicle is not on flat ground.

Failure to follow the Launch Mode guidelines can lead to a crash in which you or others can be seriously hurt or killed.

Do not use Launch Mode as follows:

- at a location where there may be hidden obstacles or there is not a clear sight line
- on slippery surface such as concrete, mud, water and ice
- when carrying cargo
- for any objective other than takeoff

To Operate Launch Mode

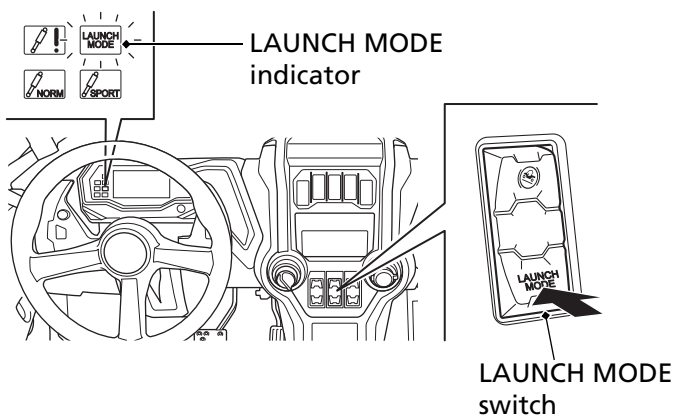
1. Stop the vehicle completely.
2. Make sure all doors and all side nets are securely closed (page 51, 53).
3. Fasten your seat belt. Check to make sure all passengers fasten their seat belts (page 59) and are holding the handholds firmly (page 64).

Basic Operation

4. Make sure the front wheels are pointing straight.
5. Press and hold the brake pedal, shift the shift select lever into the high-range (H) position (page 40).
6. Press and hold the LAUNCH MODE switch until the LAUNCH MODE indicator comes on.

The LAUNCH MODE indicator does not come on when

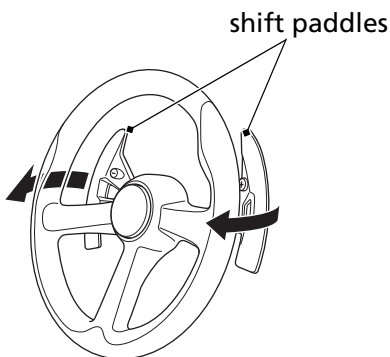
- the vehicle is not completely stopped.
- the shift position is not in the high-range (H).
- the brake pedal is not depressed firmly.
- the seat belt indicator blinks (the driver's seat belt is not latched).
- there is a problem with a vehicle system (the PGM-FI Malfunction Indicator Lamp (MIL) comes on.)
- engine is not at normal operating temperature (the coolant temperature gauge displays "Lo" or the high coolant temperature indicator comes on).
- the clutch temperature indicator blinks.



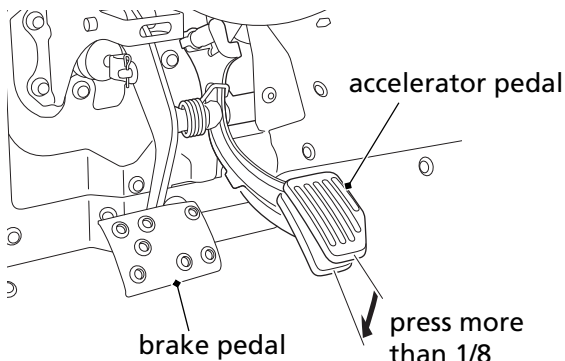
(cont'd)

Basic Operation

7. With both hands on the steering wheel, pull and hold both shift paddles simultaneously.



8. Release the brake pedal and apply the accelerator pedal, pressing the accelerator pedal more than $1/8$.



Basic Operation

9. To launch the vehicle, release both shift paddles simultaneously.
 - If the LAUNCH MODE indicator flashes during steps 6 - 9, release the accelerator pedal and the shift paddles and wait until the LAUNCH MODE indicator goes off. Follow steps 6 - 9 again.
 - If the PGM-FI Malfunction Indicator Lamp (MIL) comes on, or the gear position flashes or displays “–”, turn the ignition switch to the OFF (O) position, then to the ON (I) position again.
 - After launching, the vehicle will return to normal operation after a few seconds or by releasing the accelerator pedal.

Launch Mode does not activate when:

- the shift paddles are not both pulled or released simultaneously (step 7 & 9).
- the accelerator pedal is not applied more than 1/8th of its travel when the shift paddles are released (step 8 & 9).
- the vehicle speed exceeds 3 mph (5 km/h) in step 8.

To Cancel Launch Mode After the LAUNCH MODE Indicator Comes On

Launch Mode will be canceled under the following conditions:

- when you press the LAUNCH MODE switch again.
- when you release either shift paddle.
- when you release the accelerator pedal and maintain zero accelerator position until the LAUNCH MODE indicator turns off.
- when 30 seconds or more have elapsed from the LAUNCH MODE indicator comes on.

Basic Operation

Parking

Look for a clear, level parking area with a firm surface. Avoid parking on a slope or on loose or slippery surfaces, if possible. If you must park on a slope, block the wheels to help keep the vehicle from sliding.

After bringing your vehicle to a stop:

1. Keep your foot on the brake pedal while you shift into the park (P) position.
2. Slowly release the brake pedal.
3. Turn the ignition switch to the OFF (O) position, and remove the key.

Driving Guidelines

Your Honda SXS has been designed with many safety features to help protect you. These include a strong occupant protection structure, seat belts, doors, and side nets. However, no safety system can prevent all injuries.

The following pages contain important precautions and driving guidelines to help you make good decisions and operate your vehicle safely.

WARNING

Failure to follow the driving guidelines in this owner's manual can lead to a crash or overturn in which you or others can be seriously hurt or killed.

Follow all safe-driving guidelines in this owner's manual.

Safe Driving Precautions

Before driving your Honda SXS for the first time, please review the "Driver & Passenger Safety" section (page 1), the "Before Driving" section (page 75), and the precautions below.

We also recommend that you complete the Recreational Off-Highway Vehicle (ROV) E-Course. The free course is available at www.ROHVA.org. The two-hour ROV E-Course is a multi-media, interactive, online safety course that reinforces:

- Key risk factors associated with ROV operation
- Safe driving practices that will reduce risk of injury
- The best resources for learning about your particular vehicle

Driving Guidelines

The ROHVA (Recreational Off-Highway Vehicle Association) also offers the hands-on ROV Basic Driver Course (RBDC). Information on and registration for the RBDC is available at www.ROHVA.org.

Off-highway Use Only

Your Honda SXS was designed for use on a wide variety of terrain and situations. However, it should not be driven on any public road, paved or unpaved, because it is not equipped to legally or safely drive on such roads.

Remember to obey all local off-road regulations, obtain permission before driving on someone else's private property, and respect all "no trespassing" signs.

Control Speed

Driving at excessive speed for the terrain or other conditions increases the chance of a crash or overturn. Always reduce speed when driving on hilly terrain, or when carrying cargo.

Use Extra Care on Unfamiliar Terrain

When driving in a new area, keep your speed low and check the terrain ahead for possible problems, such as large rocks, bumps, holes, or drop-offs. Don't drive fast on unfamiliar terrain or when visibility is limited. If you drive in an area with other vehicles, be sure to keep a safe distance to avoid a collision.

Do Not Perform Stunts

Keep all four wheels on the ground at all times. Showing off or attempting to perform stunts could lead to a crash or overturn in which the driver, a passenger, or others could be seriously hurt or killed.

Driving Guidelines

Off-road Driving Considerations

Your Honda SXS was designed and intended for off-road use. In the event that you must drive on a paved surface, be aware that your Honda SXS will feel and handle different than it does on dirt. The tires will also wear much faster.

Vehicle Design

The Honda SXS handles somewhat differently from on-highway vehicles due in part to features that allow it to perform its role as an off-highway recreational vehicle. For example, this Honda SXS has a higher center of gravity than vehicles designed for use only on pavement. It is also equipped with large low-pressure tires that allow good grip in sand, loose dirt, wet grass and other low-traction surfaces.

These advantages come at some cost. Because your vehicle is taller and rides higher off the ground, it can more easily tip or roll over if you make abrupt turns or drive on sloped terrain.

Off-highway Environments

Driving on private property, or in approved off-highway areas, means you leave a generally predictable and orderly world behind. You won't find lane markers or traffic signals, and no one will be there to warn you of trouble ahead. It's up to you to assess situations and drive within limits. The terrain has limits (it may be too steep or bumpy, for example). The vehicle has limits (e.g., traction, stability, and power). And you may be limited by lack of experience.

Driving Guidelines

Surface Considerations

The kind of surface you drive on can affect how your vehicle handles. For example, on loose or soft surfaces you'll need more time and distance to accelerate, turn, or brake to a stop.

Avoid any sudden sharp turns particularly on pavement and other hard surfaces. Always slow down after moving from one type of surface to another until you get accustomed to how your vehicle handles.

Reading the Terrain

Because visual information comes in unpredictable ways off-road, you need to stay alert, constantly survey the terrain, and go slow enough to analyze situations and make good decisions.

As your eyes search the terrain ahead, watch for changes in surface conditions. One minute you can be on firm soil and the next in soft sand or deep mud. A path can quickly change from level to bumpy, slope at a dangerous angle, or disappear in a drop-off. Always keep your eyes open for holes, washouts, or obstacles that could upset or damage the vehicle.

Controlling Speed

Whether you travel off-road or on pavement, the general rule is to keep your speed low. Of course, you'll need enough speed to keep moving forward, but too much speed can lead to problems.

When driving off-road at higher speeds, you have less time to read the terrain and make good decisions. The drive can also be more bumpy, and there's a greater chance of the vehicle sliding if you brake or turn quickly on wet soil, gravel, or another slippery surface. Never go faster than conditions allow.

When driving at a constant low speed (5 mph [8 km/h] or below), shift the shift select lever into low-range (L) position.

Driving Guidelines

Driving with Cargo

The added weight of carrying cargo will affect how your vehicle accelerates, brakes, and handles.

Please follow these guidelines whenever you carry cargo:

- Do not exceed the cargo limit (page 84).
- When driving with heavy cargo, shift the shift select lever into low-range (L) position.
- Keep speed low, particularly when driving on hills.
- Allow extra distance to accelerate, turn, and slow or stop.

Basic Driving

Making Turns

The basic turning technique for Honda SXS is to drive at low speed and gradually adjust the amount of steering to suit the surface. Do not make sudden sharp turns, either off-road or on pavement.

If your vehicle ever skids sideways during a turn, steer in the direction of the skid. Also, avoid hard braking or accelerating until you have regained directional control.

Braking

The best off-road braking technique is to gently push down on the brake pedal, then increase pressure as more braking is needed. Light braking may be all you need on soft surfaces, such as sand or loose dirt. Avoid hard braking on any surface.

Your Honda SXS is equipped with an EBD. For more information about EBD, see page 72.

Driving Guidelines

Driving on Hills

Hills present some of the greatest challenges and hazards, especially if you are carrying cargo. If you are new to off-road driving, start with gentle inclines, take time to learn how your vehicle handles on slopes, and read the information that follows.

Even if you have previous off-road driving experience, the guidelines below should serve as important reminders.

Approaching a Hill

When you approach a hill, you need to decide whether it is one that you, your passengers, your cargo and your vehicle can handle. For example, ask yourself:

- Is the hill too steep? Is the incline constant, or are there places where it gets suddenly steeper? If you run out of power, you may not be able to continue forward.
- Is there enough traction for you to make it to the top without spinning the wheels or sliding backwards?
- Are there obstacles, such as rocks or ruts, that could upset your vehicle and make it roll over?
- If there is no safe predetermined path, can you drive straight up the hill without turning?
- Do you know what is on the other side of the hill?

If you do not know the answers to these questions before beginning an ascent, you should stop and walk up the hill to find out.

Driving Guidelines

Driving Up a Hill

If you decide that it is safe to drive your Honda SXS up a hill:

- Select an appropriate drive mode for the hill. When ascending steep hills, shift the shift select lever into low-range (L) position.
- Approach the hill with enough speed to smoothly start up the hill.
- Maintain a steady speed as you climb the hill.
- Reduce speed as you approach the top, and watch for other vehicles that may be approaching the top from the other side of the hill.

NOTICE

To prevent clutch damage, do not use the throttle to hold the vehicle stationary on an incline or try to pull an immovable object.

If You Stall Going Up a Hill

If a hill is steeper than you expected, traction is poor, or you don't maintain sufficient speed, you may begin to stall. If that happens:

- Stop the vehicle and shift into the park (P) position.
- If you have passenger(s), you may want to have them get out and move away from the vehicle.
- If you are headed straight up the hill, shift into the reverse (R) position, and slowly back straight down the hill, gently using the brake pedal to control speed.

Driving Down a Hill

Before driving down a hill, as with driving up a hill, you need to evaluate whether you can make it safely to the bottom and away from the slope.

Ask yourself:

- Is the hill too steep to maintain speed and steering control?
- Is the surface too rough or too slippery?
- Can you drive straight down without turning?
- Is there a safe exit when you reach the bottom of the hill?

(cont'd)

Driving Guidelines

If you decide it is safe to drive down a hill:

- Hold the steering wheel firmly and drive straight back down the hill.
- Gently apply the brakes to help control speed, but do not “ride” the brakes.

Crossing a Hill

Before traversing a hill, consider these facts:

- A hill that you can drive straight up or down can be too steep to drive across.
- When you drive straight up or down a slope, the length of the wheelbase reduces the chance of tipping over backward or forward, but when you drive across a slope, the vehicle’s narrower track and higher center of gravity increases the chance of tipping or rolling over.
- If you drive across a slope and an uphill wheel hits a bump, or a downhill wheel drops into a hole, your vehicle will tip downward even more.

If you can’t clearly see all terrain conditions (good traction, no bumps, holes or other obstacles, etc.), stop and walk the slope before you drive on it. If you have any doubt whether you can safely drive across a slope, don’t do it. Find another route.

Avoiding Obstacles

When driving off-road, always watch for bumps, pot holes, rain ruts and other obstacles. Large bumps and holes can bounce you around and cause you to lose control or get stuck. Slow down whenever you drive on rough terrain.

Driving Guidelines

Driving Through Water

Before driving through water, stop and make sure that:

- The water is not more than about 10 inches (25 cm) deep.
- The water is not flowing too fast. Deep rushing water can sweep you downstream. Even very shallow rushing water can wash the ground from under your tires and cause you to lose traction and possibly roll over.
- Both banks have gradual slopes and good traction, so you can enter the stream and exit safely.
- The surface under the water appears to provide good traction. Remember, the water may hide hazards, such as rocks, holes, mud, or slippery vegetation.

If you decide you can safely cross the water:

- Proceed at a slow, steady speed.
- Watch for submerged obstacles, including slippery rocks and holes.
- Avoid getting the spark plugs or air cleaner wet, as this would cause the engine to stop.

NOTICE

Water entering the air intake system can cause severe engine damage.

If your Honda SXS becomes immersed in water (water level is above the floorboard), do not start the engine. Take your Honda SXS to your dealer for service.

Driving Guidelines

Driving at Night

If you drive your Honda SXS at night, always drive slower and more cautiously than you would in daylight.

Servicing Your Honda

To help keep your Honda SXS in good shape, this section includes a Maintenance Schedule for required service and step-by-step instructions for specific maintenance tasks. You'll also find important safety precautions, information on fuels and oils, and tips for keeping your Honda looking good.

For information about replacing fuses, see page 241.

(USA only)

For information about the exhaust emission and noise requirements of the U.S. Environmental Protection Agency (EPA) and the California Air Resources Board (CARB), see page 266.

(USA only)

Maintenance, replacement or repair of the emission control devices and systems may be performed by any repair establishment or individual using parts that are "certified" to EPA standards.

Before You Service Your Honda

The Importance of Maintenance	115
Maintenance Safety	116
Important Safety Precautions	117
Maintenance Schedule	118
Maintenance Record	123

Service Preparations

Maintenance Component Locations	124
Tool Kit	129
Owner's Manual Storage	130
Front Hood	131
Seat Removal	132
Air Cleaner Outer Cover Removal	133

(cont'd)

Servicing Your Honda

Clip Removal	134
Jack-Up Point & Support Point	135

Service Procedures

Fluids, Filters & Lubricants

Fuel	136
Engine Oil & Filters	139
Sub-Transmission Oil	152
Front Final Gear Oil	156
Rear Final Gear Oil	158
Coolant	161
Air Cleaner	166
Lubrication	171

Engine

Accelerator Pedal	174
Spark Plugs	176
Spark Arrester	179
Exhaust System	181

Chassis

Suspension	182
Brakes	188
Tires	194
Wheels	202
Driveshaft Boots	203

Electrical

Battery	204
Appearance Care	209

The Importance of Maintenance

A well-maintained Honda SXS is essential for safe, economical, and trouble-free operation. It will also help reduce air pollution. Careful pre-drive inspections and good maintenance are especially important because your Honda SXS is designed to be driven over rough off-road terrain.

To help you properly care for your Honda SXS, this section of the manual provides a Maintenance Schedule. The service intervals in this schedule are based on average operation conditions.

WARNING

Improperly maintaining this Honda SXS or failing to correct a problem before you drive can cause a crash in which you can be seriously hurt or killed.

Always follow the inspection and maintenance recommendations and schedules in this owner's manual.

Frequent servicing of the air cleaner is especially important to help you avoid a possible costly engine repair.

If your Honda SXS overturns or is involved in a crash, be sure your dealer inspects all major parts, even if you are able to make some repairs.

Maintenance Safety

This section includes instructions on how to perform some important maintenance tasks. If you have basic mechanical skills, you can perform many of these tasks with the tools provided with your Honda SXS.

Other tasks that are more difficult and require special tools are best performed by professionals. Removing the wheels should normally be handled only by a Honda technician or other qualified mechanic. Instructions are included in this manual only to assist in emergency service.

Some of the most important safety precautions follow. However, we cannot warn you of every conceivable hazard that can arise in performing maintenance. Only you can decide whether or not you should perform a given task.

WARNING

Failure to properly follow maintenance instructions and precautions can cause you to be seriously hurt or killed.

Always follow the procedures and precautions in this owner's manual.

Maintenance Safety

Important Safety Precautions

- Make sure the engine is off before you begin any maintenance or repairs. This will help eliminate several potential hazards:
 - Carbon monoxide poisoning from engine exhaust.** Be sure there is adequate ventilation whenever you operate the engine.
 - Burns from hot parts.** Let the engine and exhaust system cool before touching.
 - Injury from moving parts.** Do not run the engine unless instructed to do so.
- Read the instructions before you begin, and make sure you have the tools and skills required.
- To reduce the possibility of a fire or explosion, be careful when working around gasoline. Use only non-flammable solvent, not gasoline, to clean parts. Keep cigarettes, sparks, and flames away from all fuel-related parts.

Remember that your Honda dealer knows your Honda SXS best and is fully equipped to maintain and repair it. To ensure the best quality and reliability, use only new Honda Genuine Parts or other equivalents for repair and replacement. If you have the tools and skills required for additional maintenance jobs, you can purchase an official Honda Service Manual (page 276).

Maintenance Schedule

The required Maintenance Schedule that follows specifies how often you should have your Honda SXS serviced, and what things need attention. It is essential to have your Honda SXS serviced as scheduled to maintain safe, dependable performance, and proper emission control.

The service intervals in this Maintenance Schedule are based on average driving conditions. Some items will need more frequent service if you drive in unusually wet, muddy, sandy, dusty areas or at full throttle. Consult your dealer for recommendations applicable to your individual needs and use.

Some items in the Maintenance Schedule can be performed with basic mechanical skills and hand tools. Procedures for these items are provided in this manual. Other items involve more extensive procedures and may require special training, tools, and equipment. We recommend that you have your dealer perform these tasks unless you have advanced mechanical skills and the required tools and equipment. Procedures for such items in this schedule are provided in an official Honda Service Manual available for purchase (page 276).

If you do not feel capable of performing a given task or need assistance, remember that your Honda dealer knows your Honda SXS best and is fully equipped to maintain and repair it. If you decide to do your own maintenance, use only Honda Genuine Parts or their equivalents for repair or replacement to ensure the best quality and reliability.




Maintenance Schedule

Perform the pre-drive inspection (page 80) and owner maintenance in this section at each scheduled maintenance period.

Maintenance Minder Messages on the Multi-function Display

The maintenance minder indicator appears in the multi-function display when the mileage or operating hours on your Honda SXS reaches the maintenance interval specified on the maintenance schedule.

Maintenance Minder Indicators:

	Initial Maintenance Appears at 100 miles (150 km) or 20 operating hours, whichever comes first. See <i>Initial Maintenance</i> on the maintenance schedule.
	Regular Maintenance Interval 1 Appears 600 miles (1,000 km) or 100 operating hours after the Initial Maintenance is performed and maintenance minder is reset (page 33). See <i>Regular Maintenance Interval</i> for 100, 300, and 500 operating hours (or corresponding mileage interval, whichever comes first) in the maintenance schedule.
	Regular Maintenance Interval 2 Appears 600 miles (1,000 km) or 100 operating hours after Regular Maintenance Interval 1 is performed and maintenance minder is reset (page 33). See <i>Regular Maintenance Interval</i> for 200, 400, and 600 operating hours (or corresponding mileage interval, whichever comes first) in the maintenance schedule.

Maintenance Schedule

- The Initial Maintenance indicator appears only once over the life of the vehicle.
- The Regular Maintenance Interval 1 and 2 indicators will appear alternately over the life of the vehicle.
- Consider the total mileage and operating hours shown on the odometer/hour meter, along with your vehicle maintenance history, to determine the appropriate Regular Maintenance Interval to follow on the maintenance schedule.

Each item on the maintenance schedule requires some mechanical knowledge. Certain items (particularly those marked * and **) may require more technical information and tools. Consult your dealer.

- * Should be serviced by your dealer, unless the owner has the proper tools and service data, and is mechanically qualified. Refer to the official Honda Service Manual (page 276).
- ** In the interest of safety, we recommend these items be serviced only by your dealer.

Summary of Maintenance Schedule Notes:

NOTES:

Note 1 Inspect valve clearance as needed, if engine is noisy.

Note 2 Service more frequently when operating in dusty areas, sand or snow.

Note 3 Service more frequently when operated in muddy conditions.

Note 4 Check the underbody whenever the under guard has been hit.

Maintenance Schedule

Service the items listed at the indicated distance (or time, if given).											
			Initial maintenance	Regular maintenance interval							
ITEMS	FREQUENCY	x100 mi	1	6	12	18	24	30	36	Note	Refer to page
	(Whichever comes first)	x100 km	1.5	10	20	30	40	50	60		
		Hours	20	100	200	300	400	500	600		
	Check engine oil and coolant		Check oil and coolant at fuel stop							142, 162	
	Check tires		Check inflation and condition once a month							195	
	Check side net and mounting hardware		•	•	•	•	•	•	•		53
	Check brake fluid		Check fluid level once a month							189	
	Replace engine oil and oil filter		•	•	•	•	•	•	•		144
	Check sub-transmission oil		•	•	•	•	•	•	•		152
	Replace sub-transmission oil		Every 2 years (regardless of mileage)							154	
	Replace DCT oil filter		•	•	•	•	•	•	•		149
	* Inspect valve clearance		•	•	•	•	•	•	•	1	—
	* Clean spark arrester		•	•	•	•	•	•	•		179
	Replace air cleaner element		•	•	•	•	•	•	•	2	167
	Check air cleaner housing drain tube		•	•	•	•	•	•	•	3	169
	Check spark plugs		•	•	•	•	•	•	•		176
	* Inspect idle speed		•	•	•	•	•	•	•		—
	* Check fuel lines and connections		•	•	•	•	•	•	•		—
	Check front and rear brakes		•	•	•	•	•	•	•	3	188
	Replace front and rear final gear oil		•	•	•	•	•	•	•		157, 159

* Should be serviced by your dealer, unless the owner has the proper tools and service data, and is mechanically qualified. Refer to the official Honda Service Manual (page 276).

Note 1 Inspect valve clearance as needed, if engine is noisy.

Note 2 Service more frequently when operating in dusty areas, sand or snow.

Note 3 Service more frequently when operated in muddy conditions.

Maintenance Schedule

Service the items listed at the indicated distance (or time, if given).											
			Initial maintenance	Regular maintenance interval						Note	Refer to page
ITEMS	FREQUENCY	x100 mi	1	6	12	18	24	30	36		
	(Whichever comes first)	x100 km	1.5	10	20	30	40	50	60		
		Hours	20	100	200	300	400	500	600		
	Lubricate all hinges, latches, and pivots					•			•		171
**	Inspect suspension components			•	•	•	•	•	•	3	187
	Inspect drive shaft boots			•	•	•	•	•	•	3	203
	Inspect the following items:										—
	Wheels										202
	Accelerator pedal and brake pedal					•			•		174, 192
	Brake light switch										193
	Exhaust system										181
	Battery terminal condition										205
*	Check shift lever adjustment		•						•		—
**	Inspect the following items:										—
*	Tie-rod ends										—
**	Steering gearbox and boots								•		—
*	Brake hoses and lines										—
*	SXS underbody									4	—
*	Inspect evaporative emission control system (USA - 50 states [meets California])										—
	Replace the following items:										—
*	Engine coolant										164
*	Brake fluid										—

- * Should be serviced by your dealer, unless the owner has the proper tools and service data, and is mechanically qualified. Refer to the official Honda Service Manual (page 276).
- ** In the interest of safety, we recommend these items be serviced only by your dealer.

Note 3 Service more frequently when operated in muddy conditions.

Note 4 Check the underbody whenever the under guard has been hit.

Maintenance Record

Keeping an accurate maintenance record will help ensure that your Honda SXS is properly maintained. Retain detailed receipts to verify the maintenance was performed. If the Honda SXS is sold, these receipts should be transferred with the Honda SXS to the new owner. Make sure whoever performs the maintenance completes this record. All scheduled maintenance, including the 100-mile (150 km) or 20 hours initial maintenance, is considered a normal owner operating cost and will be charged for by your dealer. Use the space under Notes to record anything you want to remind yourself about or mention to your dealer.

Miles (km) or hours	ODO or HOUR	Date	Performed By:	Notes
100 (150) or 20				
600 (1,000) or 100				
1,200 (2,000) or 200				
1,800 (3,000) or 300				
2,400 (4,000) or 400				
3,000 (5,000) or 500				
3,600 (6,000) or 600				
4,200 (7,000) or 700				
4,800 (8,000) or 800				

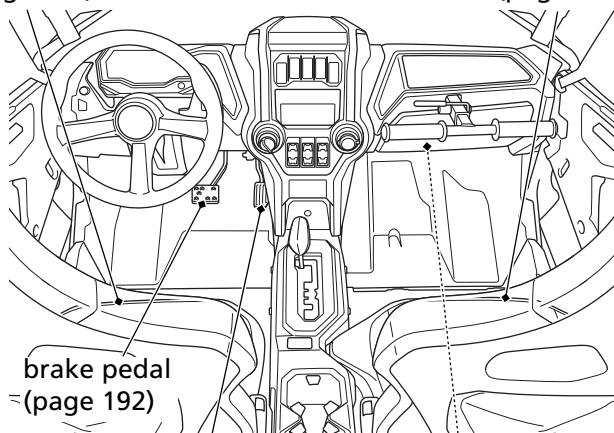
Maintenance Component Locations

—————→ Indicates something visible.

.....→ Indicates something concealed.

driver seat
(page 132)

passenger seat
(page 132)



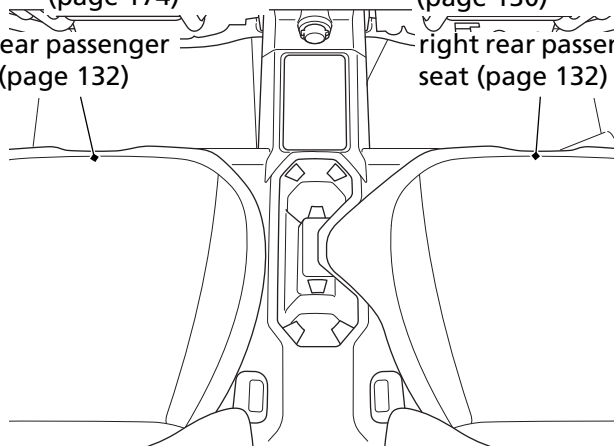
brake pedal
(page 192)

accelerator pedal
(page 174)

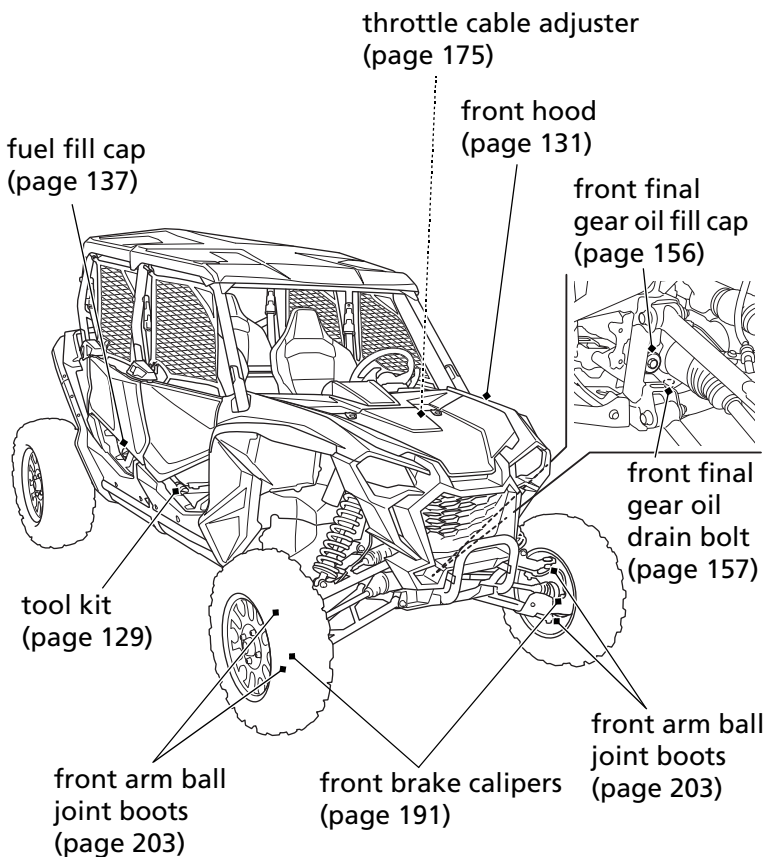
owner's manual
(page 130)

left rear passenger
seat (page 132)

right rear passenger
seat (page 132)

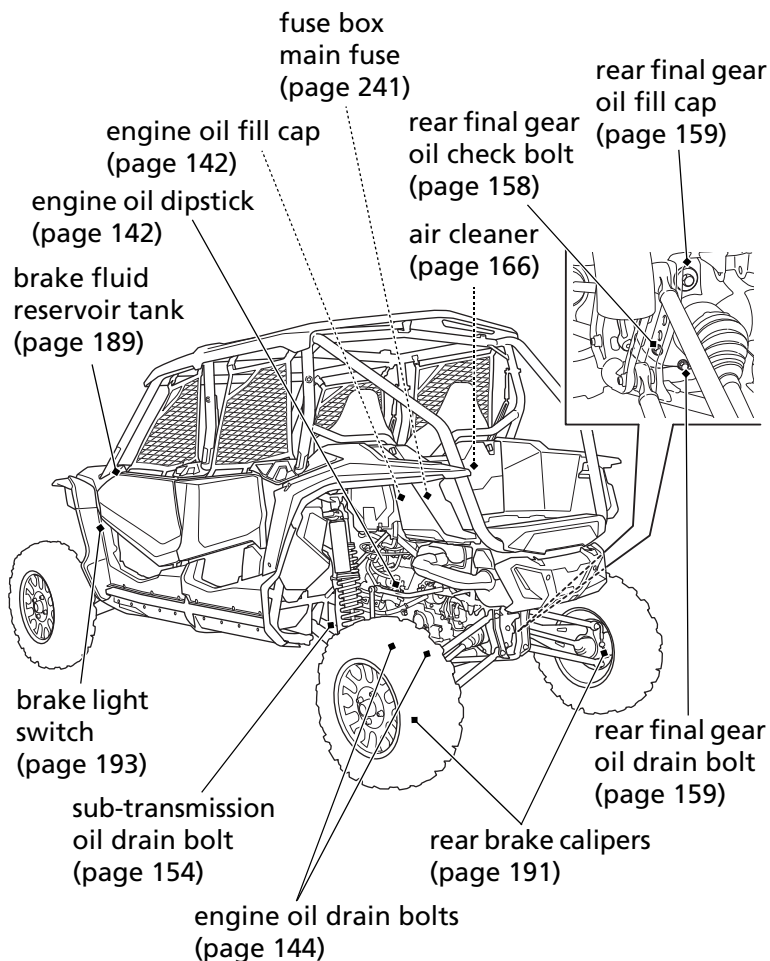


Maintenance Component Locations

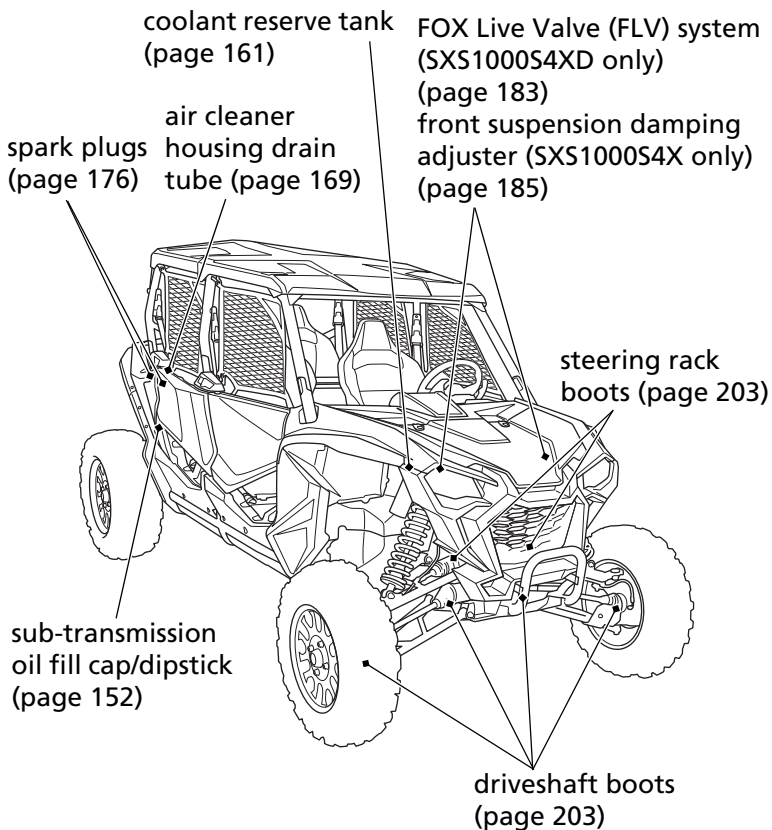


Maintenance Component Locations

- Indicates something visible.
-→ Indicates something concealed.



Maintenance Component Locations



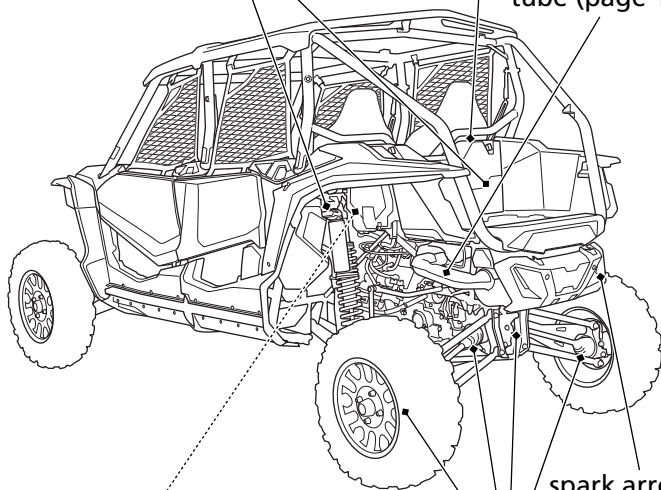
Maintenance Component Locations

- Indicates something visible.
-→ Indicates something concealed.

FOX Live Valve (FLV) system
(SXS1000S4XD only) (page 183)
rear suspension damping adjuster
(page 186)

air cleaner outer cover
(page 133)

air cleaner
housing drain
tube (page 169)



battery (page 204)
electric power steering (EPS) fuse
brake traction control system
(BTCS) fuse
radiator fan fuse (page 247)

spark arrester
(page 179)

driveshaft boots
(page 203)

Tool Kit

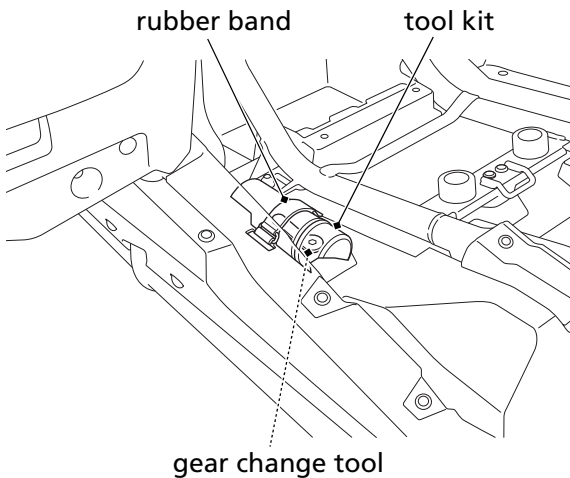
The tool kit and the gear change tool are stored under the front passenger seat.

To access the tool kit and the gear change tool, remove the front passenger seat (page 132), and remove the rubber band securing the tool kit.

After using the tool kit or the gear change tool, be sure to use the rubber band to fasten the tool kit and the gear change tool securely.

An optional, larger tool kit may be available. Check with your dealer's parts department.

UNDER FRONT PASSENGER SEAT



Owner's Manual Storage

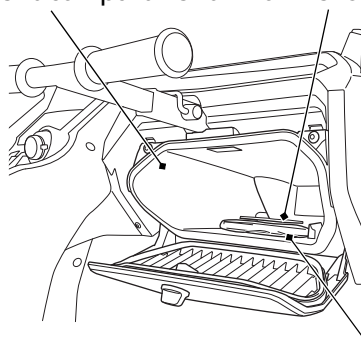
Your Honda SXS provides storage for the owner's manual so you'll have it with you for easy reference. Store your owner's manual in the owner's manual storage on the inside of the document compartment.

The owner's manual should be stored in the plastic bag.

Be careful not to flood this area when washing your Honda SXS.

RIGHT SIDE

document compartment owner's manual storage



owner's manual

Front Hood

Refer to *Safety Precautions* on page 117.

The front hood must be removed to add coolant and adjust the accelerator pedal freeplay.

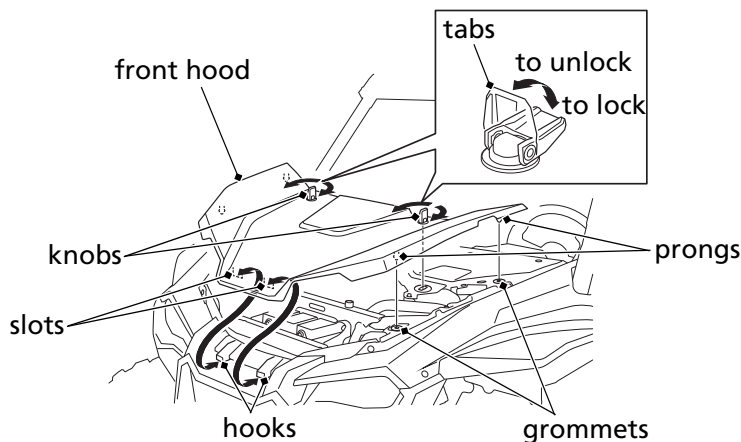
Removal

1. Lift the tabs on knobs up, turn the knobs 1/4 clockwise or 1/4 counterclockwise.
2. Remove the prongs from the grommets.
3. Remove the front hood.

Installation

1. Insert the slots into the hooks.
2. Insert the prongs into the grommets.
3. Turn the knobs 1/4 counterclockwise or 1/4 clockwise, push the tabs down to lock the knobs.

Make sure that the hood is securely installed before driving. While driving, if the prongs of the front hood pop up from the grommets, stop the vehicle at a safe place and insert the prongs into the grommets securely.



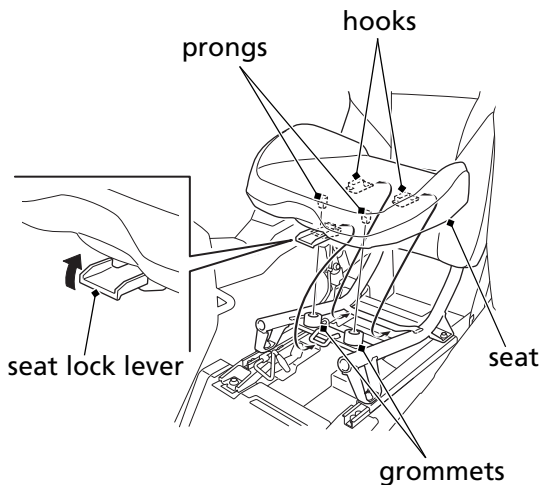
Seat Removal

Refer to *Safety Precautions* on page 117.

All seats can be removed in the same manner.

Removal

1. Open the door (page 51).
2. Pull the seat lock lever at the front center of the seat.
3. Pull the front of the seat upward then slide it slightly forward.



Installation

1. Insert the hooks into the frame and the prongs into the grommets of the seat.
2. Press down on the seat until it locks.

Make sure that the seat is locked securely in position by pulling it up lightly.

Since the bottom shapes of the driver/left rear passenger seats and front/right rear passenger seats are different, install them in their correct position.

Air Cleaner Outer Cover Removal

Refer to *Safety Precautions* on page 117.

The air cleaner outer cover must be removed to replace the air cleaner and to add the engine oil.

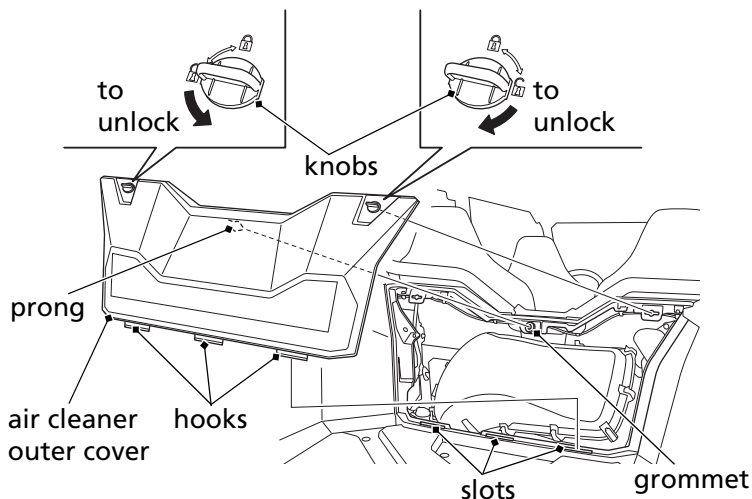
Removal

1. Turn the knobs 1/4 clockwise or 1/4 counterclockwise to the unlock positions.
2. Remove the prong from the grommet.
3. Remove the air cleaner outer cover upward.

Installation

1. Insert the hooks into the slots.
2. Insert the prong into the grommet.
3. Turn the knobs 1/4 counterclockwise or 1/4 clockwise to the lock position.

IN FRONT OF CARGO BED



Clip Removal

Clip removal and installation:

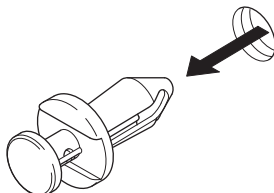
Removal

1. Pull up the center pin to release the lock.
2. Pull out the clip of the hole.

1



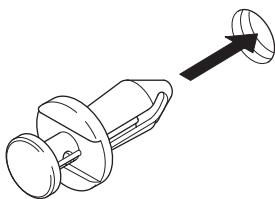
2



Installation

1. Insert the clip into the hole.
2. Press down the center pin securely to lock the clip.

1



2



Jack-Up Point & Support Point

Refer to *Safety Precautions* on page 117.

When jacking up and supporting this vehicle, the following jack-up points and support points should be used.

⚠ WARNING

The vehicle can easily roll off a jack, seriously injuring anyone underneath.

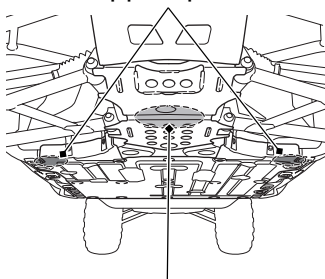
Follow the directions for changing a tire exactly, and never get under the vehicle when it is supported only by the jack.

When using a jack, always abide by the following instructions.

- Do not leave the engine running.
- Shift the shift select lever into the park (P) position.
- Use only on a firm level surface.
- Place a jack only at the specified jack-up point.
- Do not leave any person or cargo in the vehicle.
- Do not place any object above or under a jack.

FRONT

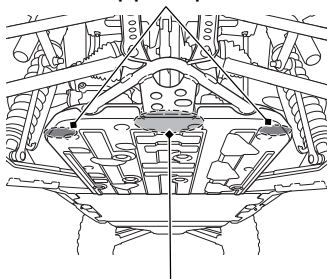
support points



jack up point

REAR

support points



jack up point

Fuel

Refer to *Safety Precautions* on page 117.

Fuel Recommendation

type	unleaded
pump octane number	86 (or higher)

Use only unleaded fuel in your Honda. The use of leaded fuel will damage the catalytic converter. If you drive your Honda in a country where leaded fuel might be available, take precautions to use only unleaded fuel.

Your engine is designed to use any unleaded gasoline that has a pump octane number of 86 or higher. Gasoline pumps at service stations normally display the pump octane number. For information on the use of oxygenated fuels (USA only), see page 270.

For information on the use of *Petrol Containing Alcohol* (Australia & New Zealand only), see page 272.

Use of lower octane gasoline can cause persistent “pinging” or “spark knock” (a loud rapping noise) which, if severe, can lead to engine damage. Light pinging experienced while operating under a heavy load, such as climbing a hill, is no cause for concern.

If pinging or spark knock occurs at a steady engine speed under normal load, change brands of gasoline. If pinging or spark knock persists, consult your dealer.

Never use stale or contaminated gasoline or an oil/gasoline mixture. Avoid getting dirt, dust, or water in the fuel tank.

Fuel Capacity

Fuel tank capacity:
7.66 US gal (29.0 ℓ)

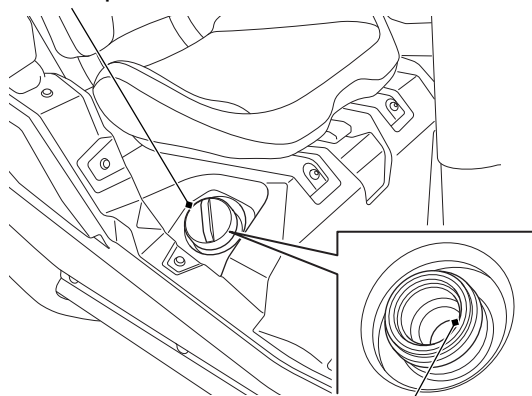
When there is only one segment left in the fuel gauge (page 27), fuel will be low and you should refuel as soon as possible.

Refueling Procedure

Refer to *Safety Precautions* on page 117.

RIGHT SIDE

fuel fill cap



lower edge of filler neck

1. Open the right rear door (page 51).
2. Turn the fuel fill cap counterclockwise.

(cont'd)

Fuel

3. Add fuel until the level reaches the lower edge of the filler neck. Avoid overfilling the tank. There should be no fuel in the filler neck.

WARNING

Gasoline is highly flammable and explosive. You can be burned or seriously injured when handling fuel.

- Stop the engine and keep heat, sparks and flames away.
- Only handle fuel outdoors.
- Wipe up spills immediately.

4. After refueling, turn the fuel fill cap clockwise until it clicks and close the right rear door.

If you replace the fuel fill cap, use a Honda Genuine replacement part or equivalent.

NOTICE

Gasoline can damage painted and matte painted surfaces. Do not allow spilled gasoline to pool on painted and matte painted bodywork. Also, do not allow gasoline soaked rags to be placed on painted and matte painted bodywork.

Engine Oil & Filters

Engine oil quality is a major factor that affects both the performance and the service life of the engine.

Using the proper oil (page 140) and filter, and regularly checking, adding, and changing oil will help extend your engine's life. Even the best oil wears out. Changing oil helps get rid of dirt and deposits in the engine. Operating the engine with old or dirty oil can damage your engine. Running the engine with insufficient oil can cause serious damage to the engine and transmission.

Change the engine oil as specified in the maintenance schedule on page 121. When running in very dusty conditions, oil changes should be performed more frequently than specified in the maintenance schedule.

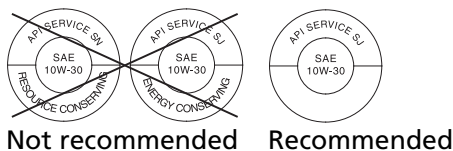
Engine Oil & Filters

Oil Recommendation

API classification	SJ or higher except oils labeled as energy conserving or resource conserving on the circular API service label
viscosity (weight)	SAE 10W-30
JASO T 903 standard	MA
suggested oil*	Pro Honda GN4 4-stroke oil or Honda 4-stroke oil, or an equivalent motorcycle oil.

* Suggested oils are equal in performance to SJ oils that are not labeled as energy conserving or resource conserving on the circular API service label.

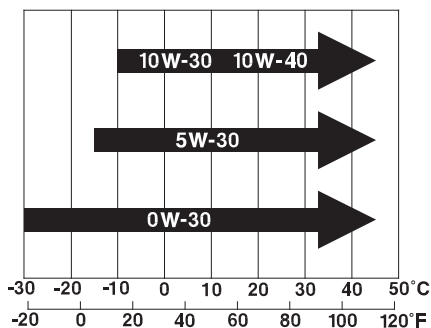
- Your Honda SXS does not need oil additives. Use the recommended oil.
- Do not use oils with graphite or molybdenum additives. They may adversely affect clutch operation.
- Do not use API SJ or higher oils displaying a circular API “energy conserving” or “resource conserving” service label on the container. They may affect lubrication and clutch performance.



- Do not use non-detergent, vegetable, or castor based racing oils.

Engine Oil & Filters

Other viscosities shown in the following chart may be used when the average temperature in your driving area is within the indicated range.

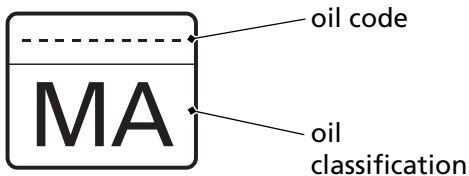


JASO T 903 standard

The JASO T 903 standard is an index for engine oils for 4-stroke motorcycle engines.

There are two classes: MA and MB.

Oil conforming to the standard is labeled on the oil container. For example, the following label shows the MA classification.



Engine Oil & Filters

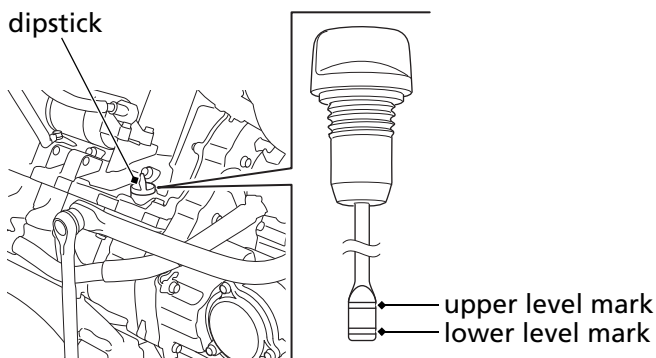
Checking & Adding Engine Oil

Refer to *Safety Precautions* on page 117.

Check the engine oil level each day before operating your Honda SXS and add, if needed.

1. Park your Honda SXS on a firm, level surface. Shift the shift select lever into the park (P) position.
2. Start the engine in a well-ventilated area and let it idle for 3 – 5 minutes. Stop the engine and wait 2 – 3 minutes.
3. Remove the dipstick and wipe it clean.
4. Insert the dipstick without screwing it in, then remove the dipstick and check the oil level. The oil level should be between the upper level mark and the lower level mark on the dipstick.

UNDER LEFT REAR FENDER



5. If required, remove the air cleaner outer cover (page 133) and oil fill cap, and then add the specified oil into the fill cap hole, up to the upper level mark on the dipstick. Do not overfill.

Engine Oil & Filters

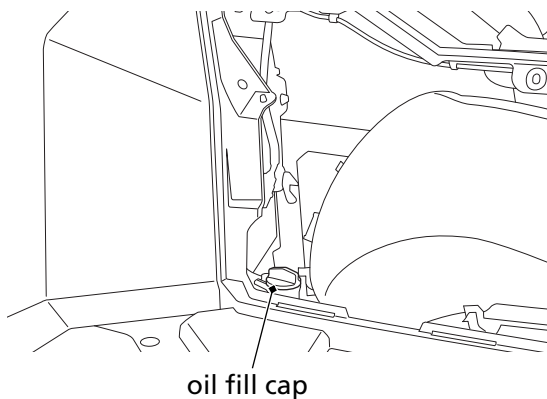
6. Reinstall the oil fill cap and dipstick, and then install the air cleaner outer cover.

NOTICE

Running the engine with an improper oil level can cause serious engine damage.

IN FRONT OF CARGO BED

LEFT SIDE



Engine Oil & Filters

Changing Engine Oil & Filters

Refer to *Safety Precautions* on page 117.

Your Honda SXS's oil filter has very specific performance requirements. Use a new Honda Genuine oil filter specified for your model or a filter of equal quality.

NOTICE

Using the wrong oil filter may result in leaks or engine damage.

This procedure requires mechanical skill and professional tools such as a torque wrench and access from underneath the vehicle, as well as the means for disposing of the drained fluid (page 223). If you do not have the skills or the tools, see your dealer.

Your Honda SXS is equipped with two oil filters: an engine oil filter and a DCT (Dual Clutch Transmission) oil filter.

When changing the engine oil, also change the engine oil filter. Also change the DCT oil filter for every two times the engine oil is changed.

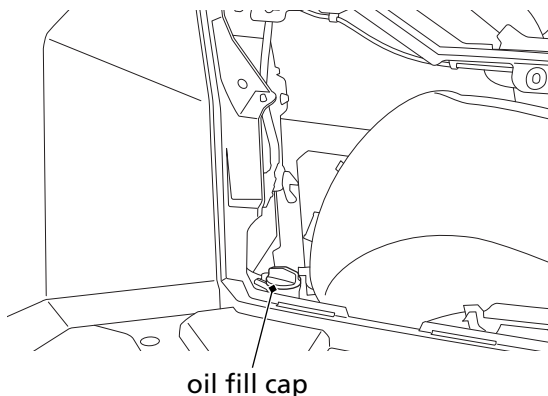
Engine Oil & Filters

Drain the Engine Oil:

1. Make sure the Honda SXS is parked on a firm, level surface. Shift the shift select lever into the park (P) position.
 - It may be necessary to jack up and support your Honda SXS to change the oil and filter, see page 135.
2. Remove the air cleaner outer cover (page 133).
3. Remove the oil fill cap and dipstick (page 142).

IN FRONT OF CARGO BED

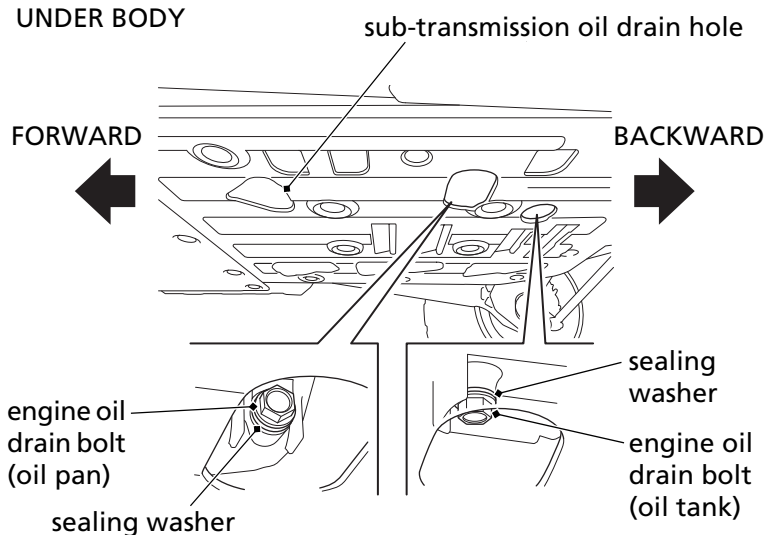
LEFT SIDE



(cont'd)

Engine Oil & Filters

4. Place an oil drain pan under the engine oil drain bolts.
5. Remove the engine oil drain bolts and sealing washers.



NOTICE

Be sure not to drain sub-transmission oil unless intending to do so. The engine and sub-transmission oils are not connected.

Engine Oil & Filters

Install a New Engine Oil Filter:

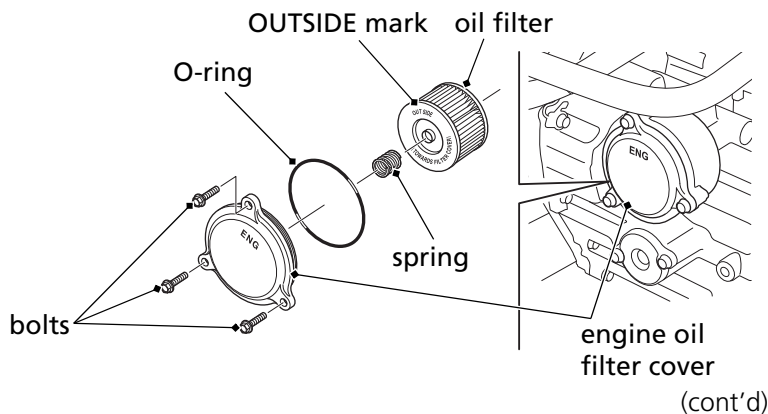
Place shop towels under the oil filter cover because oil will flow out.

6. Remove the engine oil filter cover (ENG marked) and O-ring by removing the bolts. Let the remaining oil drain out. Discard the oil filter in an approved manner (page 223).
7. Apply engine oil to a new O-ring and install it to the engine oil filter cover. Install a new oil filter.
Use only the Honda Genuine oil filter or a filter of equivalent quality specified for your model. Using the wrong Honda filter, inserting a filter in backwards, using a filter with no OUTSIDE markings, or a non-Honda filter which is not of equivalent quality may cause engine damage.
8. Install a new filter with the OUTSIDE mark facing outward, reinstall the spring and engine oil filter cover making sure the bolts are tightened to the specified torque:
9 lbf-ft (12 N·m, 1.2 kgf·m)

NOTICE

Improper installation of the oil filter can cause serious engine damage.

UNDER LEFT REAR FENDER



Engine Oil & Filters

9. Pour the drained oil into a suitable container and dispose of it in an approved manner (page 223).

NOTICE

Improper disposal of drained fluids is harmful to the environment.

10. When changing the DCT oil filter, proceed to step 11 in *Install a New DCT Oil Filter* on the next page. If you are not changing the DCT oil filter, proceed to step 15 in *Add Engine Oil:* on page 151.

Engine Oil & Filters

Install a New DCT Oil Filter:

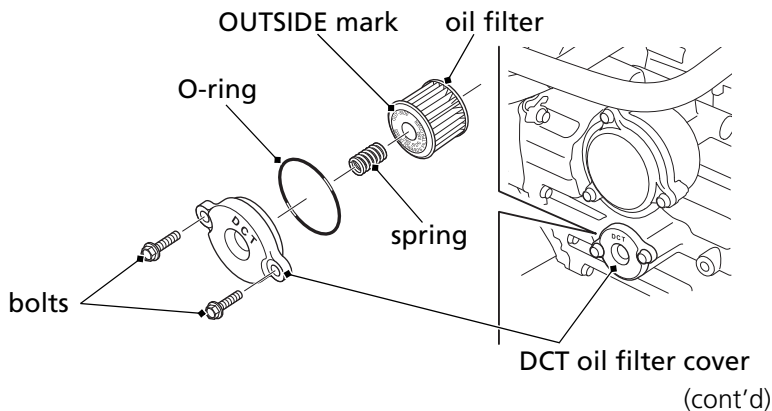
Place shop towels under the oil filter cover because oil will flow out.

11. Remove the DCT oil filter cover (DCT marked) and O-ring by removing the bolts. Let the remaining oil drain out. Discard the oil filter in an approved manner (page 223).
12. Apply engine oil to a new O-ring and install it to the DCT oil filter cover. Install a new oil filter.
Use only the Honda Genuine oil filter or a filter of equivalent quality specified for your model. Using the wrong Honda filter, inserting a filter in backwards, using a filter with no OUTSIDE markings, or a non-Honda filter which is not of equivalent quality may cause engine damage.
13. Install a new filter with the OUTSIDE mark facing outward, reinstall the spring and DCT oil filter cover making sure the bolts are tightened to the specified torque:
9 lbf-ft (12 N·m, 1.2 kgf·m)

NOTICE

Improper installation of the oil filter can cause serious engine damage.

UNDER LEFT REAR FENDER



Engine Oil & Filters

14. Pour the drained oil into a suitable container and dispose of it in an approved manner (page 223).

NOTICE

Improper disposal of drained fluids is harmful to the environment.

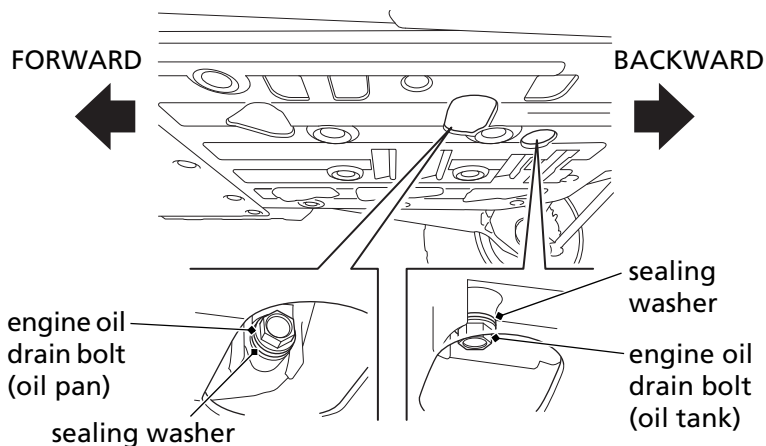
Engine Oil & Filters

Add Engine Oil:

15. Reinstall the drain bolts and new sealing washers and tighten the bolts to the specified torque:
21 lbf·ft (29 N·m, 3.0 kgf·m)
16. Fill the crankcase with the recommended oil, approximately:
engine oil filter change: 6.08 US qt (5.75 ℓ)
engine & DCT oil filters change: 6.1 US qt (5.8 ℓ)
17. Reinstall the oil fill cap and dipstick.
18. Start the engine and let it idle for 3 – 5 minutes.
19. Stop the engine and after 2 – 3 minutes, check the oil level. Make sure the oil is between the upper and lower level marks on the dipstick. If necessary, add more oil but do not overfill.
20. Reinstall the oil fill cap and dipstick.
21. Install the air cleaner outer cover.
22. Check that there are no oil leaks.

If a torque wrench is not used for installation, see your dealer as soon as possible to verify proper assembly.

UNDER BODY



Sub-Transmission Oil

Oil Recommendation

The recommended sub-transmission oil is the same as the engine oil (page 140).

Checking & Adding Sub-Transmission Oil

Refer to *Safety Precautions* on page 117.

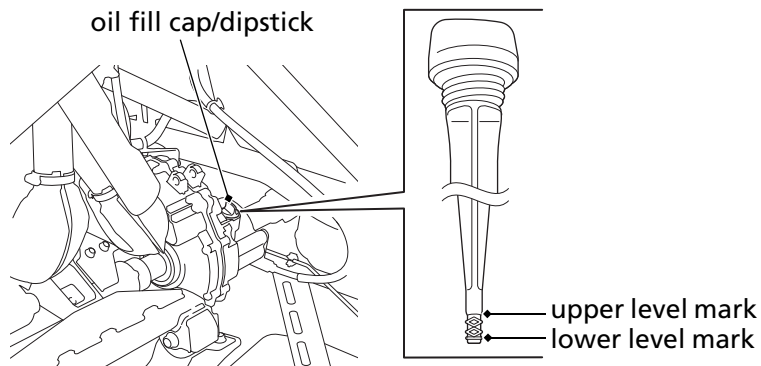
Check the sub-transmission oil level as specified in the maintenance schedule (page 121) and add, if needed.

Before driving your SXS, check the sub-transmission oil level.

1. Park your Honda SXS on a firm, level surface. Shift the shift select lever into the park (P) position.
2. Remove the oil fill cap/dipstick from the transmission cover and wipe it clean.
3. Insert the dipstick without screwing it in, then remove the oil fill cap/dipstick and check the oil level. The oil level should be between the upper level mark and the lower level mark on the oil fill cap/dipstick.

Sub-Transmission Oil

UNDER RIGHT REAR FENDER



4. If the oil level is near or below the lower level mark, add the specified oil into the oil fill cap hole, fill to the upper level mark on the dipstick. Do not over fill.
5. Reinstall the oil fill cap/dipstick.

NOTICE

Running the engine with an improper oil level can cause serious engine damage.

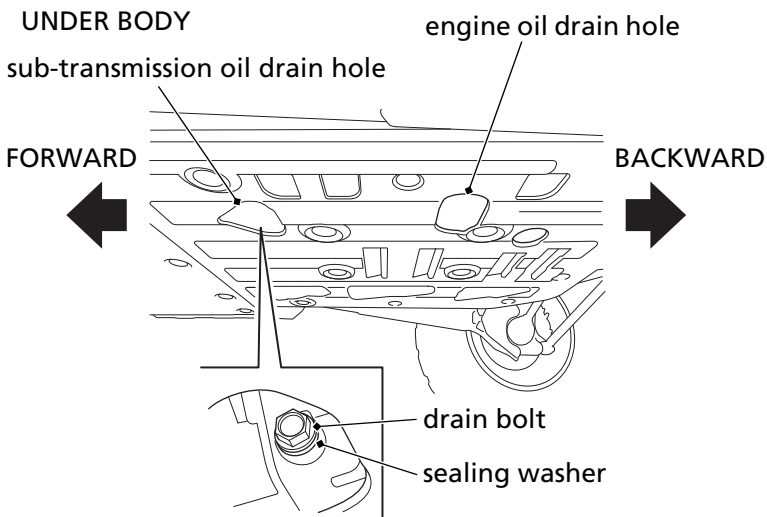
Sub-Transmission Oil

Changing Sub-Transmission Oil

Refer to *Safety Precautions* on page 117.

This procedure requires mechanical skill and professional tools such as a torque wrench, and access from underneath the vehicle, as well as the means for disposing of the drained fluid (page 223). If you do not have the skills or the tools, see your dealer.

1. Make sure the Honda SXS is parked on a firm, level surface. Shift the shift select lever into the park (P) position.
 - It may be necessary to jack up and support your Honda SXS to change the sub-transmission oil, see page 135.
2. Remove the oil fill cap/dipstick (page 152).
3. Place an oil drain pan under the sub-transmission oil drain bolt.
4. Remove the sub-transmission oil drain bolt and sealing washer.



Sub-Transmission Oil

Pour the drained oil into a suitable container and dispose of it in an approved manner (page 223).

5. Reinstall the drain bolt and new sealing washer, and tighten the bolt to the specified torque:
21 lbf·ft (29 N·m, 3.0 kgf·m)
6. Fill the sub-transmission case with the recommended oil, approximately:
1.35 US qt (1.28 ℓ)
7. Insert the dipstick without screwing it in, then remove the oil fill cap/dipstick and check the oil level. Make sure the oil is between the upper level mark and lower level mark on the dipstick. If necessary, add more oil but do not overfill.
8. Reinstall the oil fill cap/dipstick.
9. Check that there are no oil leaks.

If a torque wrench is not used for installation, see your dealer as soon as possible to verify proper assembly.

NOTICE

Improper disposal of drained fluids is harmful to the environment.

Front Final Gear Oil

Oil Recommendation

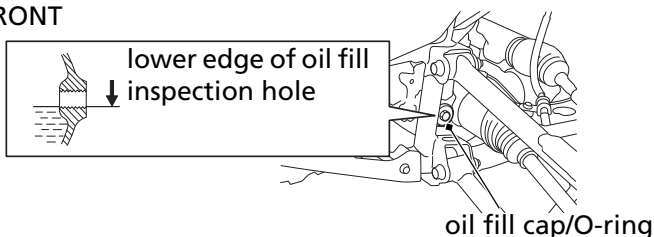
API classification	GL-5
type	hypoid gear oil
viscosity (weight)	SAE 80W-90
suggested oil	Honda shaft drive oil or equivalent

Checking Oil

Refer to *Safety Precautions* on page 117.

1. Park your Honda SXS on a firm, level surface. Shift the shift select lever into the park (P) position.
2. Remove the oil fill cap and O-ring.
3. Make sure the oil level is at the lower edge of the oil fill inspection hole.
4. Apply a thin coat of grease to a new O-ring and insert it into the oil fill cap groove.
5. Install and tighten oil fill cap to the specified torque:
9 lbf·ft (12 N·m, 1.2 kgf·m)

LEFT FRONT



Front Final Gear Oil

Changing Oil

Refer to *Safety Precautions* on page 117.

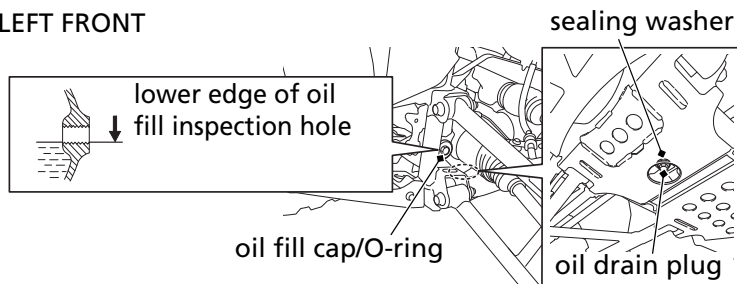
Change the oil with the front final gear at normal operating temperature to assure complete and rapid draining.

1. Park the Honda SXS on a firm, level surface. Shift the shift select lever into the park (P) position.
2. Place an oil drain pan under the oil drain plug.
3. Remove the oil fill cap, O-ring, drain plug, and sealing washer.
4. After the oil has completely drained, reinstall the drain plug with a new sealing washer and tighten it to the specified torque:
9 lbf·ft (12 N·m, 1.2 kgf·m)
5. Fill the front final gear with the recommended oil.
13.4 US oz (395 cm³)
6. Make sure the oil level is at the lower edge of the oil fill inspection hole.
7. Apply a thin coat of grease to a new O-ring and insert it into the oil fill cap groove.
8. Install and tighten oil fill cap to the specified torque:
9 lbf·ft (12 N·m, 1.2 kgf·m)
9. Pour the drained oil into a suitable container and dispose of it in an approved manner (page 223).

NOTICE

Improper disposal of drained fluids is harmful to the environment.

LEFT FRONT



Rear Final Gear Oil

Oil Recommendation

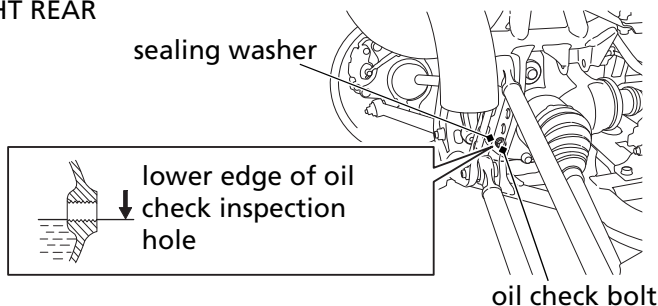
API classification	GL-5
type	hypoid gear oil
viscosity (weight)	SAE 80W-90
suggested oil	Honda shaft drive oil or equivalent

Checking Oil

Refer to *Safety Precautions* on page 117.

1. Park your Honda SXS on a firm, level surface. Shift the shift select lever into the park (P) position.
2. Remove the oil check bolt and sealing washer.
3. Make sure the oil level is at the lower edge of the oil check inspection hole.
4. Install the oil check bolt with a new sealing washer and tighten to the specified torque:
9 lbf·ft (12 N·m, 1.2 kgf·m)

RIGHT REAR



Rear Final Gear Oil

Changing Oil

Refer to *Safety Precautions* on page 117.

Change the oil with the rear final gear at normal operating temperature to assure complete and rapid draining.

1. Park the Honda SXS on a firm, level surface. Shift the shift select lever into the park (P) position.
2. Place an oil drain pan under the oil drain plug.
3. Remove the oil fill cap, O-ring, oil check bolt, drain plug, and sealing washers.
4. After the oil has completely drained, reinstall the drain plug with a new sealing washer and tighten it to the specified torque:
9 lbf·ft (12 N·m, 1.2 kgf·m)
5. Fill the rear final gear with the recommended oil.
3.9 US oz (115 cm³)
6. Make sure the oil level is at the lower edge of the oil check inspection hole. Allow oil to settle for 1 minutes before proceeding to next step.

(cont'd)

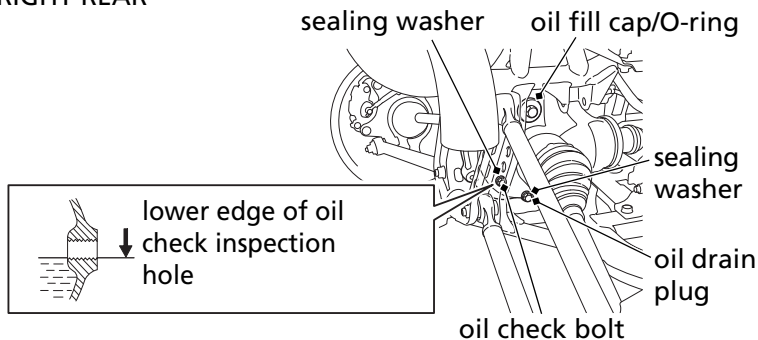
Rear Final Gear Oil

7. Install the oil check bolt with a new sealing washer and tighten to the specified torque:
9 lbf·ft (12 N·m, 1.2 kgf·m)
8. Apply a thin coat of grease to a new O-ring, and insert it into the oil fill cap groove.
9. Install and tighten oil fill cap to the specified torque:
9 lbf·ft (12 N·m, 1.2 kgf·m)
10. Pour the drained oil into a suitable container and dispose of it in an approved manner (page 223).

NOTICE

Improper disposal of drained fluids is harmful to the environment.

RIGHT REAR



Coolant

Your Honda SXS's liquid cooling system dissipates engine heat through the coolant jacket that surrounds the cylinder and cylinder head.

Maintaining the coolant will allow the cooling system to work properly and prevent freezing, overheating, and corrosion.

Coolant Recommendation

Use Pro Honda HP Coolant or an equivalent high-quality ethylene glycol antifreeze containing corrosion protection inhibitors specifically recommended for use in aluminum engines. Check the antifreeze container label.

Use only distilled water as a part of the coolant solution. Water that is high in mineral content or salt may be harmful to the aluminum engine.

NOTICE

Using coolant with silicate inhibitors may cause premature wear of water pump seals or blockage of radiator passages. Using tap water may cause engine damage.

The factory provides a 50/50 solution of antifreeze and distilled water in this Honda SXS. This coolant solution is recommended for most operating temperatures and provides good corrosion protection.

Decreasing the concentration of antifreeze to less than 40% will not provide proper corrosion protection.

Coolant

Increasing the concentration of antifreeze is not recommended because it decreases cooling system performance. Higher concentrations of antifreeze (up to 60%) should only be used to provide additional protection against freezing. Check the cooling system frequently during freezing weather.

Checking & Adding Coolant

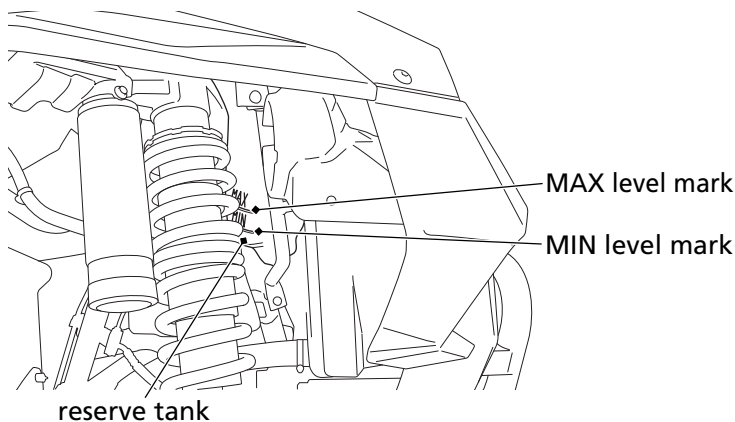
Refer to *Safety Precautions* on page 117.

Check the engine coolant level every day before operating your Honda SXS and add, if needed.

1. Make sure the vehicle is parked on a firm, level surface.
2. With the engine at normal operating temperature, check the coolant level in the reserve tank. It should be between the MAX and MIN level marks.

If the reserve tank is empty, or if coolant loss is excessive, check for leaks and see your dealer for repair.

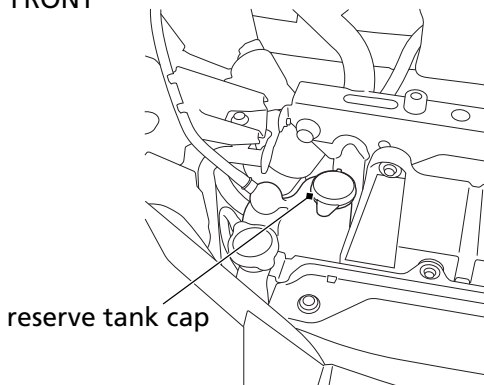
UNDER RIGHT FRONT FENDER



Coolant

3. Remove the front hood (page 131).
4. Remove the reserve tank cap.
Always add coolant to the reserve tank. Do not attempt to add coolant by removing the radiator cap.

UNDER FRONT HOOD RIGHT FRONT



5. Add coolant to the reserve tank as required to bring the coolant level to the MAX level mark.
6. After adding coolant, install the reserve tank cap and install the front hood.

Coolant

Coolant Replacement

Refer to *Safety Precautions* on page 117.

Coolant should be replaced by your dealer, unless you have the proper tools and service data, and are mechanically qualified. Refer to the official Honda Service Manual.

WARNING

Removing the radiator cap while the engine is hot can cause the coolant to spray out, seriously scalding you.

Always let the engine and radiator cool down before removing the radiator cap.

To properly dispose of drained coolant, refer to *You & the Environment*, page 223.

NOTICE

Improper disposal of drained fluids is harmful to the environment.

Radiator Core

Refer to *Safety Precautions* on page 117.

Check the air passages for clogging or damage. Remove insects, mud, or any obstruction with low water pressure. Have the radiator checked by your dealer if more than 20% of the radiator surface air flow is restricted.

Clean the radiator core after driving your Honda SXS in mud.

To clean the radiator core:

1. Remove the front hood (page 131).
2. Wash the radiator core with low water pressure.

NOTICE

Do not apply high pressure water directly to the radiator core. High pressure water can damage the radiator core fins.

Air Cleaner

Refer to *Safety Precautions* on page 117.

This vehicle is equipped with a viscous type air cleaner which cannot be cleaned with compressed air or any chemicals without degrading its performance.

Service the air cleaner more frequently if you drive in unusually wet or dusty areas. Your dealer can help you determine the correct service interval for your driving conditions.

Your Honda SXS's air cleaner has very specific performance requirements. Use a new Honda Genuine air cleaner specified for your model or an air cleaner of equal quality.

NOTICE

Using the wrong air cleaner may result in premature engine wear.

Air Cleaner

Replacing Air Cleaner

NOTICE

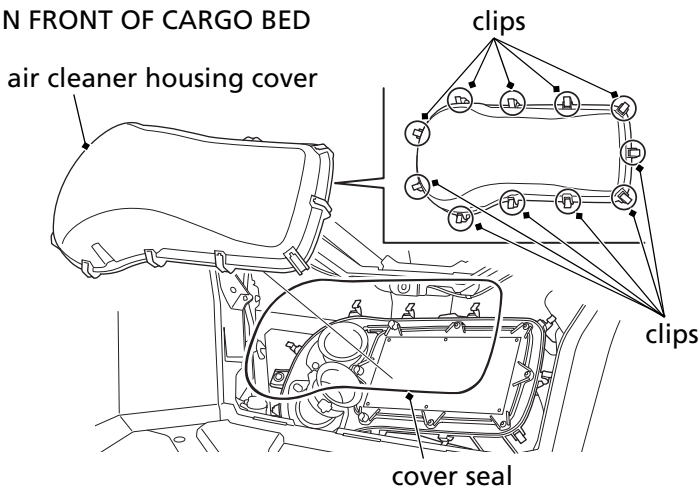
Clean the air cleaner housing cover prior to removal.

Remove the air cleaner to the right side.

When removing the air cleaner, be careful not to allow foreign objects to drop into the air intake ducts.

1. Remove the air cleaner outer cover (page 133).
2. Clean the air cleaner housing cover.
3. Unlatch the retainer clips and remove the air cleaner housing cover and cover seal.

IN FRONT OF CARGO BED

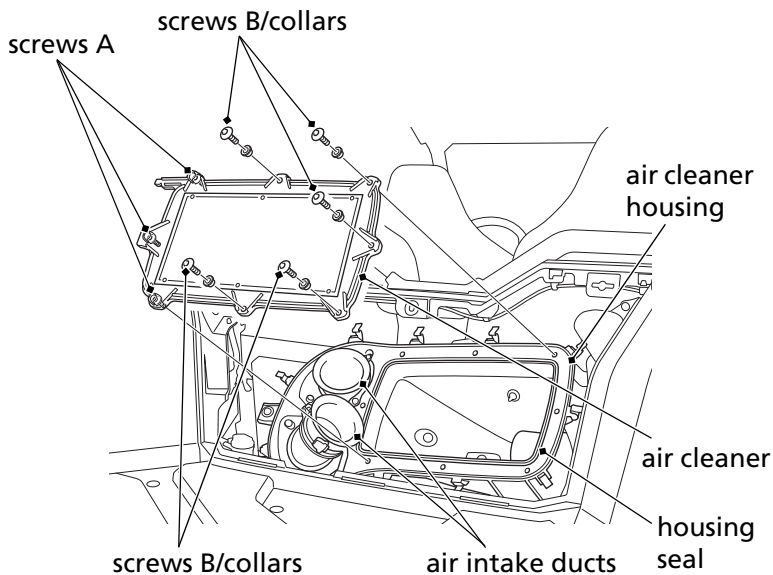


4. Pull the air cleaner out to the right side by loosening the screws A and removing the screws B and collars.
When removing the air cleaner, be careful not to allow foreign objects to drop into the air intake ducts and air cleaner housing.

(cont'd)

Air Cleaner

5. Remove the housing seal from the air cleaner housing.



6. Install a new housing seal into the seal groove of the air cleaner housing.

7. Insert a new air cleaner into the air cleaner housing. Make sure that the air cleaner is properly seated in the air cleaner housing.

8. Install the collars and screws B and tighten the screws A and screws B to the specified torque:

3.7 lbf·ft (5 N·m, 0.5 kgf·m)

9. Install a new cover seal into the seal groove of the air cleaner housing cover.

10. Install the air cleaner housing cover and latch the retainer clips.

11. Install the air cleaner outer cover.

Air Cleaner

Air Cleaner Housing Drain Tubes

Your Honda SXS has two air cleaner housing drain tubes (clean side and dirty side).

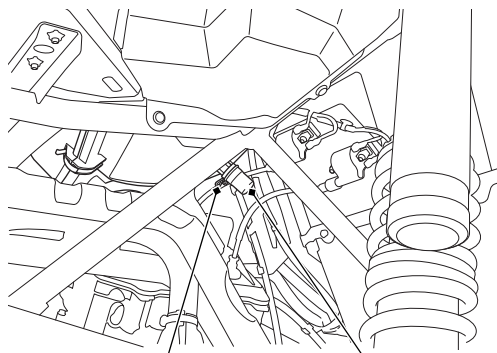
The air cleaner housing drain tubes should be serviced every 600 miles (1,000 km) or 100 hours of operating your Honda SXS. (Driving through water may require more frequent inspection.)

If deposits can be seen in the dirty side drain tube, the tube must be cleaned before starting the vehicle.

Dirty side

1. Place a suitable container under the crankcase breather tube.
2. Remove the air cleaner housing drain tube by removing the clip.
3. Drain the deposits.
4. Reinstall the air cleaner housing drain tube, securing it with the clip.

UNDER RIGHT REAR FENDER



clip

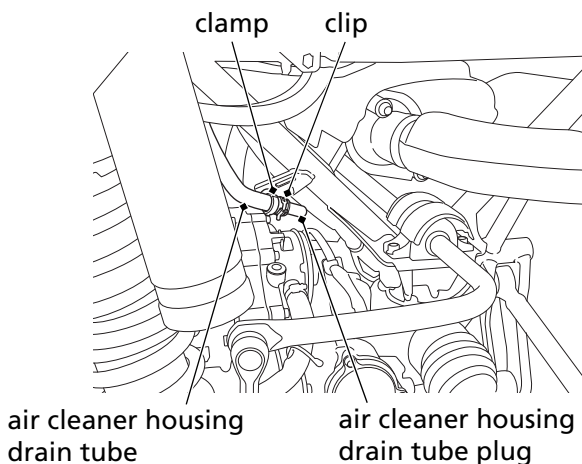
air cleaner housing
drain tube

Air Cleaner

Clean side

1. Release the clamp.
2. Place a suitable container under the crankcase breather tube plug.
3. Remove the air cleaner housing drain tube plug by removing the clip.
4. Drain the deposits.
5. Reinstall the air cleaner housing drain tube plug, securing it with the clip.
6. Secure the air cleaner housing drain tube with the clamp.

UNDER LEFT REAR FENDER



Lubrication

To keep moving parts functioning properly, coat them with a multipurpose grease (without Teflon or molybdenum additives, such as CRC 6-56 or equivalent).

Provide lubrication when moving parts do not work smoothly. Also lubricate according to the maintenance schedule (page 122).

Consult your dealer for more information about lubrication procedures.

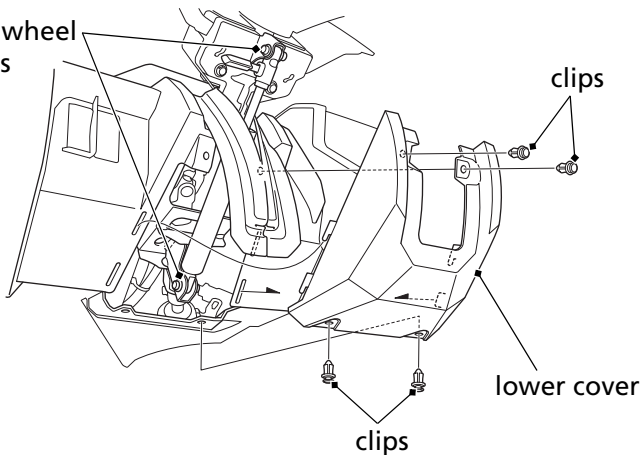
Apply grease to each pivot to prevent corrosion. Check for smooth movement after lubrication. If the movement is not smooth after applying grease, see your dealer.

Lubrication

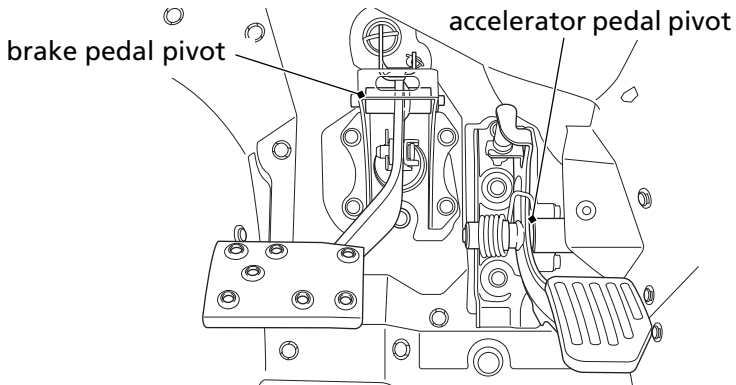
Lubrication Points

Lubricate the steering wheel tilt pivots as shown in the following illustration. Remove the clips (page 134) and the lower cover.

steering wheel
tilt pivots



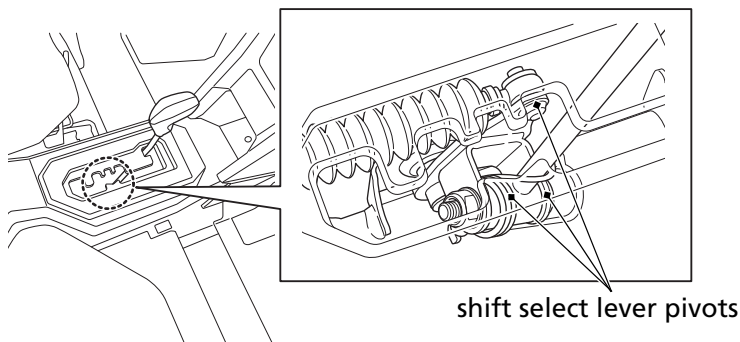
Lubricate the brake pedal pivot and accelerator pedal pivot as shown in the following illustration.



Lubrication

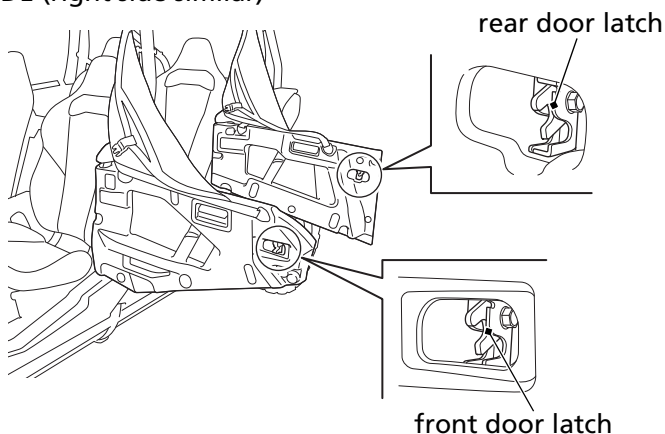
Lubricate the shift select lever pivots as shown in the following illustration.

CENTER CONSOLE



Lubricate each door latch as shown in the following illustration. Open the doors (page 51).

LEFT SIDE (right side similar)



Accelerator Pedal

Accelerator Pedal Inspection

Refer to *Safety Precautions* on page 117.

Your Honda SXS is equipped with an accelerator pedal position sensor. When the openings of the accelerator pedal and throttle valve do not match, the PGM-FI Malfunction Indicator Lamp (MIL) comes on and limits the vehicle to a safe controllable speed. If the accelerator pedal has excessive play due to cable stretch or incorrect adjustment, the openings of the accelerator pedal and throttle valve will not match.

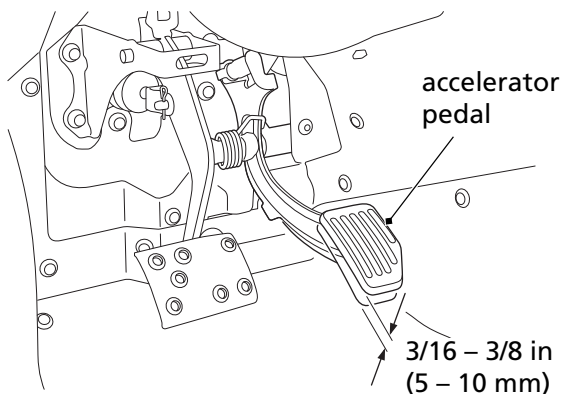
Check the accelerator pedal play periodically in accordance with the Periodic Maintenance Chart, and adjust the play if necessary.

Inspection

Check freeplay of the accelerator pedal.

Freeplay:

3/16 – 3/8 in (5 – 10 mm)

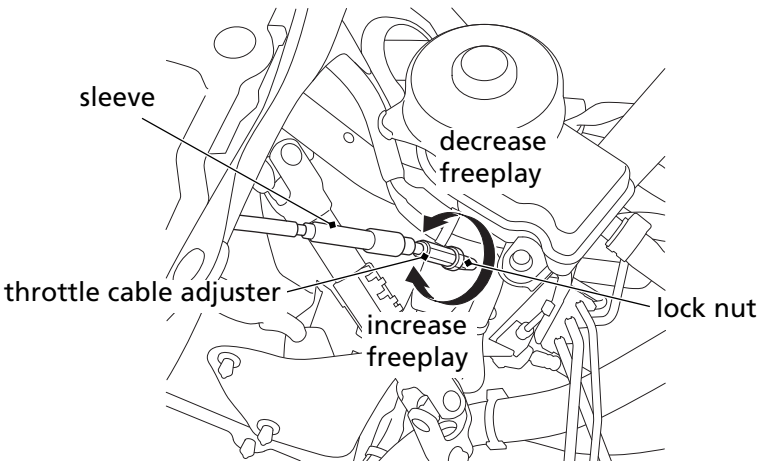


Accelerator Pedal

Adjustment

1. Remove the front hood (page 131).
2. Slide the sleeve back to expose the throttle cable adjuster.
3. Loosen the lock nut.
4. Turn the adjuster to obtain the correct freeplay.
5. Tighten the lock nut and reinstall the sleeve.
6. After adjustment, check for smooth operation of the accelerator pedal.
7. Install the front hood.

**UNDER FRONT HOOD
LEFT FRONT**



Spark Plugs

Spark Plug Recommendation

standard spark plug	SILMAR8A9S (NGK)
---------------------	------------------

Use only the recommended type of spark plug in the recommended heat range.

NOTICE

Using spark plugs with an improper heat range can cause engine damage.

This SXS uses spark plugs that have an iridium coated center electrode.

Be sure to observe the following when servicing the spark plugs.

- Do not clean the spark plugs. If an electrode is contaminated with accumulated objects or dirt, replace the spark plug with a new one.
- To check the spark plug gap, use a “wire-type feeler gauge” only. To prevent damaging the iridium coating of the center electrode, never use a “leaf-type feeler gauge.”
- Do not adjust the spark plug gap. If the gap is out of specification, replace the spark plug with a new one.

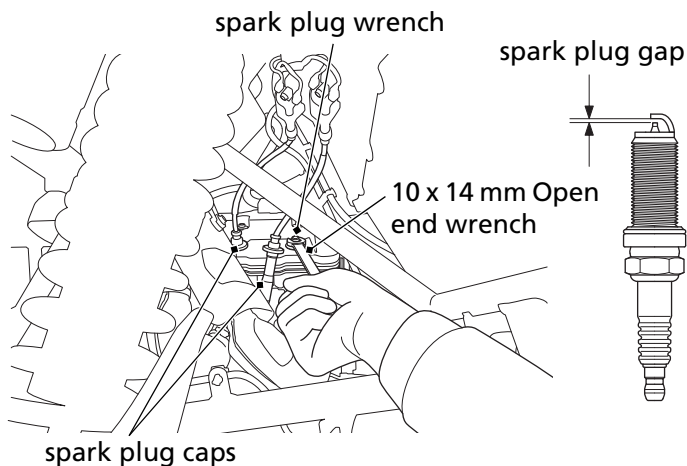
Spark Plugs

Spark Plug Inspection & Replacement

Refer to *Safety Precautions* on page 117.

1. Clean any dirt from around the spark plug base.
2. Disconnect the spark plug caps. Take care to avoid damaging the spark plug wires when disconnecting the caps.
3. Using a spark plug wrench provided in the tool kit, remove the spark plug.
4. Inspect the electrode and center porcelain for deposits, corrosion, or carbon fouling. If the corrosion or deposits are heavy, replace the plug.
5. Make sure that a 0.04 in (1.0 mm) wire-type feeler gauge cannot be inserted between the spark plug gap. If the gauge fits in the gap, replace the plug with a new one.

UNDER RIGHT REAR FENDER



(cont'd)

Spark Plugs

6. With the plug washer attached, thread the spark plug in by hand to prevent cross-threading.
7. Tighten the spark plug:
 - If the old plug is good:
 - 1/12 turn after it seats.
 - If installing a new plug, tighten it twice to prevent loosening:
 - a) First, tighten the plug:
 - 1/4 turn after it seats.
 - b) Then, loosen the plug.
 - c) Next, tighten the plug again:
 - 1/12 turn after it seats.

NOTICE

An improperly tightened spark plug can damage the engine. If a plug is too loose, the piston may be damaged. If a plug is too tight, the threads may be damaged.

8. Connect the spark plug caps. Take care to avoid pinching any cables or wires.

Spark Arrester

Refer to *Safety Precautions* on page 117.

The spark arrester must be serviced every 600 miles (1,000 km) or 100 operating hours to maintain its efficiency.

(USA only)

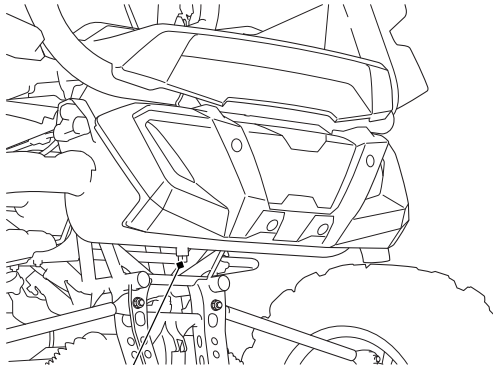
Regular servicing prevents carbon build up (which can diminish engine performance) and also complies with USDA regulations for regular maintenance to assure proper function. The spark arrester prevents random sparks from the combustion process in your engine from reaching the environment.

The use of safety glasses is recommended for this procedure.

Because of the possible fire hazard, check that there are no combustible materials in the area before purging the spark arrester.

1. Select a well-ventilated area free of combustible materials and make sure the exhaust pipe is cool.
2. Remove the bolt.

REAR



bolt

(cont'd)

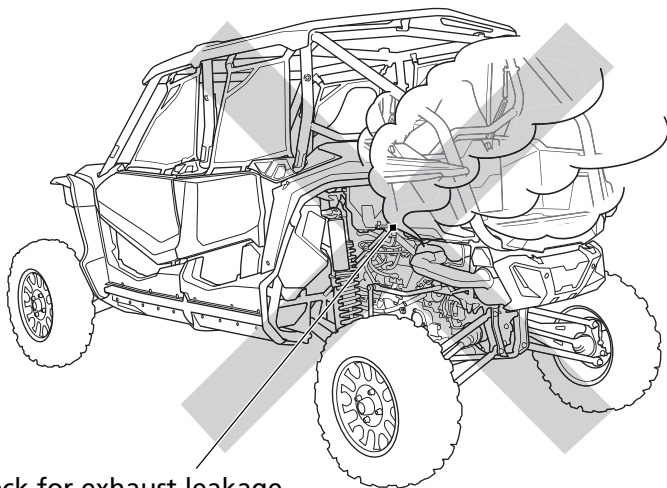
Spark Arrester

3. Start the engine and rev it up approximately twenty times while momentarily creating exhaust system back pressure by blocking the end of the muffler with a shop towel.
4. Stop the engine and allow the exhaust pipe to cool.
5. Reinstall the bolt securely.

Exhaust System

Exhaust System Inspection

Stop the engine and check for any sign of exhaust gas leakage. Listen for exhaust leaks near the muffler, which is located by the left rear wheel well.



check for exhaust leakage

Suspension

Your front and rear suspension systems use springs and hydraulic damping devices that suspend your weight and most of the weight of your Honda SXS.

The oil damper systems hydraulically control the natural compression and rebound of the suspension springs so that traction and comfort are maintained as the wheels ride over rough terrain.

The front and rear shock absorber assemblies include a damper unit that contains high pressure nitrogen gas. Do not attempt to disassemble, service, or dispose of the damper. See your dealer.

The way you drive your Honda SXS and the type of ride you want to experience can also influence your suspension needs.

Suspension

FOX® Live Valve (FLV) System (SXS1000S4XD only)

Your model is equipped with the FOX Live Valve (FLV) system. This system consists of front and rear suspension, a suspension control unit (SCU), steering angle sensor, and IMU (Inertia Measurement Unit).

This system will adjust suspension characteristics to meet driving conditions automatically.

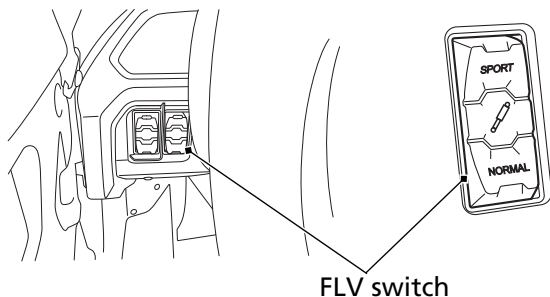
The system will continuously calculate the required compression damping for the front and rear suspension as the SCU receives signals from the various control units and sensors on the SXS. As a result, the optimum compression damping force for the driving conditions are provided.

The system is always active while moving and will continually adjust compression damping levels according to the situation and behavior of the vehicle such as accelerating, decelerating, braking or cornering.

(cont'd)

Suspension

This system has two modes: NORMAL mode and SPORT mode. You can switch between NORMAL mode and SPORT mode by pressing the FLV switch at any time when the ignition switch is turned ON (I).

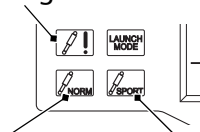


NORMAL mode: This mode provides reduced damping characteristics optimized for ride comfort or casual/recreational driving.

SPORT mode: This mode provides increased damping characteristics optimized for high speed tracking and large bump absorption. If running high payload, SPORT mode can also provide added support.

You can check the current mode with the indicators.

FLV warning indicator



If the FLV warning indicator comes on while driving, reduce speed and take your vehicle to a dealer as soon as possible.

Suspension

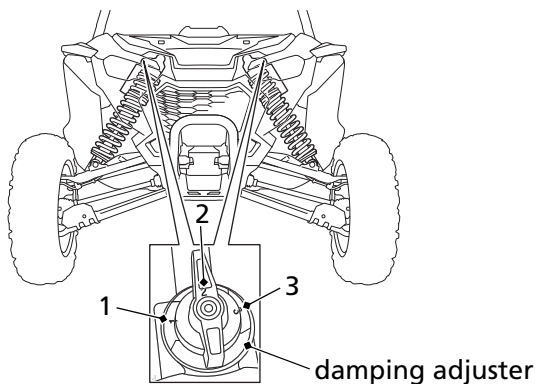
Front Suspension Adjustment (SXS1000S4X only)

The front suspension can be adjusted for driver, passengers and driving conditions by changing the low speed compression damping. Do not attempt to disassemble, service, or dispose of the damper; see your dealer. The instructions found in this owner's manual are limited to adjustments of the shock assemblies.

Front Suspension Damping (SXS1000S4X only)

Refer to *Safety Precautions* on page 117.

FRONT



The damping adjuster has 3 positions for different loads or driving conditions.

Position 1: use in low payload conditions at low speeds.

Position 2: standard position.

Position 3: use in high payload conditions such as driving with 4 riders, and/or at higher speeds.

Make sure that both shock absorbers are adjusted to the same position.

Suspension

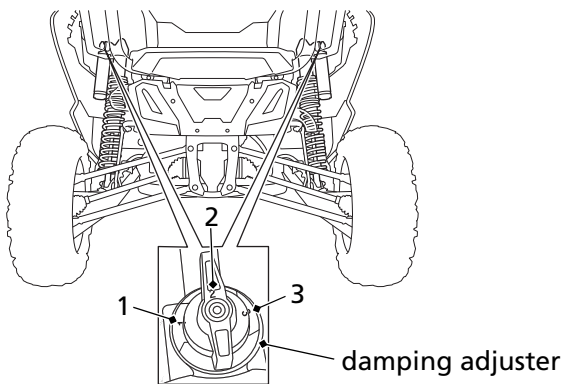
Rear Suspension Adjustment (SXS1000S4X only)

The rear suspension can be adjusted for rear passengers, carrying heavier cargo by changing the low speed compression damping. Do not attempt to disassemble, service, or dispose of the damper; see your dealer. The instructions found in this owner's manual are limited to adjustments of the shock assemblies.

Rear Suspension Damping (SXS1000S4X only)

Refer to *Safety Precautions* on page 117.

REAR



The damping adjuster has 3 positions for different loads or driving conditions.

Position 1: use in low payload conditions at low speeds.

Position 2: standard position.

Position 3: use in high payload conditions such as driving with 4 riders, driving with cargo, and/or at higher speeds.

Make sure that both shock absorbers are adjusted to the same position.

Suspension

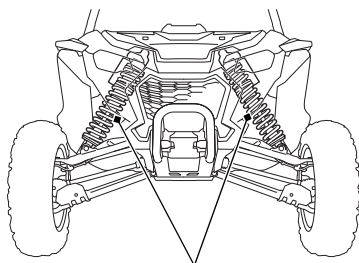
Suspension Components Inspection

Refer to *Safety Precautions* on page 117.

1. Jack up and support your Honda SXS (page 135).
2. Visually inspect the front and rear suspension arms, bushings, ball joints and shock mount bearings for any damage.
3. Visually inspect the front and rear shock absorbers for any oil seal leaks, dents in main body or shock reservoir, shock body wear or other damages.

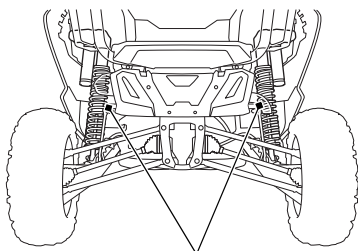
If leaks or damage is found, take your vehicle to your dealer.

FRONT



front suspension

REAR



rear suspension

Brakes

The hydraulic disc braking system on your Honda SXS dissipates the heat generated by the friction of the brake pads on the disc as the wheels are slowed.

As the front and rear brake pads wear, the brake fluid level will drop. A leak in the system will also cause the level to drop.

There are no adjustments to perform, but fluid level and pad wear must be inspected periodically. The system must also be inspected frequently to ensure there are no fluid leaks.

If the brake pedal freeplay seems abnormal or the pedal feels spongy, see your dealer to have the air bled from the system.

Brake Operation Check

Refer to *Safety Precautions* on page 117.

Push down on the brake pedal to check that the controls operate normally.

Check for damage to the brake pads and disc plate.

Brake Fluid Recommendation

brake fluid	Honda DOT 4 Brake Fluid
-------------	-------------------------

The recommended brake fluid is Honda DOT 4 Brake Fluid, or any brake fluid of equal quality and performance. Use fresh brake fluid from a sealed container. Be sure to read the label before opening the sealed container. An opened container may be contaminated or may have absorbed moisture from the air.

Fluid Level Inspection

Refer to *Safety Precautions* on page 117.

Brake Fluid Level

If your inspection indicates a low fluid level, have your dealer inspect the brake system for possible leaks or worn brake pads.

The brake fluid level will drop as the brake pads wear.

Do not add or replace brake fluid, except in an emergency. If you do add fluid, have your dealer check the system as soon as possible.

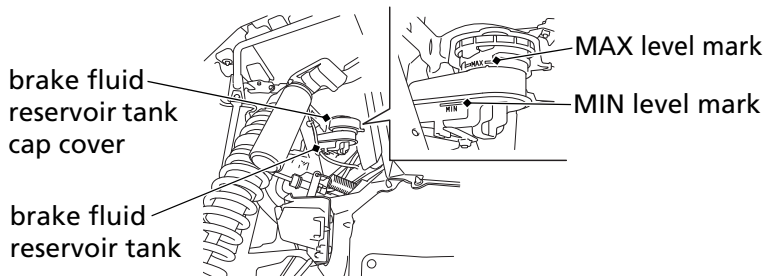
NOTICE

Brake fluid can damage plastic and painted surfaces. Handle with care.

Check the fluid level on level ground.

1. Slide the brake fluid reservoir tank cap cover up a little to reveal the MAX level mark. Do not remove the brake fluid reservoir tank cap cover.

UNDER LEFT FRONT FENDER



It should be between the MIN and MAX level marks. If the level is at or below the MIN level mark, check the brake pads for wear (page 191).

(cont'd)

Brakes

2. Return the brake fluid reservoir tank cap cover to its normal position.

Worn brake pads should be replaced. If the pads are not worn, have your brake system inspected for leaks.

Wipe up spills immediately. Avoid contact with skin or eyes.

If brake fluid comes in contact with your eyes, wash them out with clean water and immediately call a doctor.

If brake fluid comes in contact with your skin, wash with clean water and, if necessary, call a doctor.

Other Inspections

- Make sure there are no fluid leaks.
- Check for deterioration or cracks in the hoses and fittings. If the hoses are worn or cracked, have them replaced by your dealer.

Brake Pad Wear

Refer to *Safety Precautions* on page 117.

Brake pad wear will depend upon the severity of usage and driving conditions. The pads will wear faster in wet, sandy, or muddy conditions.

Visually inspect the pads during all regular service intervals to determine pad wear.

Note that the pads are designed to make a metallic noise during braking when they reach the wear limit.

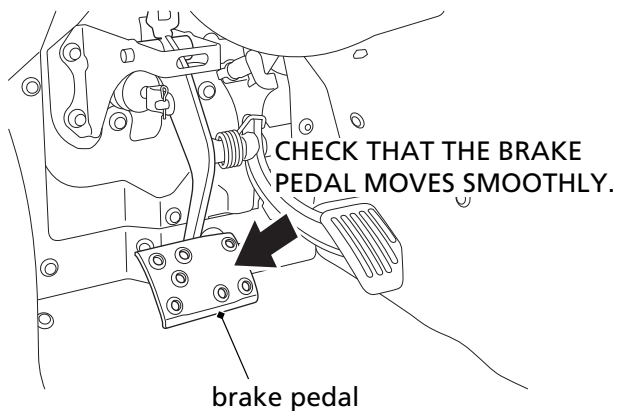
If you hear a continuous metallic friction sound when applying the brakes, the brake pads need to be replaced. Have the vehicle checked by a dealer.

Brakes

Brake Pedal Inspection

Refer to *Safety Precautions* on page 117.

Check that the brake pedal moves smoothly and does not feel abnormally spongy according to the maintenance schedule (page 122).



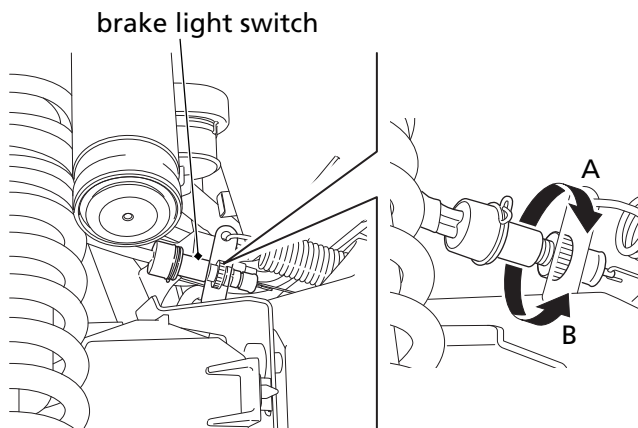
Brake Light Switch Adjustment

Refer to *Safety Precautions* on page 117.

Periodically check the operation of the brake light switch. It is located near the brake fluid reservoir.

The brake light should turn on just before the brake works. Adjustment is done by holding the switch body and turning the adjusting nut. Turn the nut in direction (A) if the switch operates too late, and in direction (B) if the switch operates too soon.

UNDER LEFT FRONT FENDER



Tires

To safely operate your Honda SXS, your tires must be the proper type and size, in good condition with adequate tread, and correctly inflated.

WARNING

Using tires that are excessively worn, improperly inflated, damaged, or overloaded can cause a crash in which you can be seriously hurt or killed.

Follow all instructions in this owner's manual regarding tire inflation and maintenance.

The following pages give detailed information on how and when to check your air pressure, how to inspect your tires for wear and damage, and our recommendations for tire repair and replacement.

Air Pressure

Refer to *Safety Precautions* on page 117.

Properly inflated tires provide the best combination of handling, tread life, and driving comfort. Generally, underinflated tires wear unevenly, adversely affect handling, and are more likely to fail from being overheated. Overinflated tires make your Honda SXS drive harshly, are more prone to damage from surface hazards, and wear unevenly.

Make sure the valve stem caps are secure. If necessary, install new caps.

Tires

Always check air pressure when your tires are “cold.” If you check air pressure when your tires are “warm” — even if your Honda SXS has only been driven for a few miles — the readings will be higher. If you let air out of warm tires to match the recommended cold tire pressures, the tires will be underinflated. Be sure to check tire pressure at the driving site, since changes in altitude can affect air pressure.

The recommended “cold” tire pressures are:

RECOMMENDED PRESSURE	
FRONT	18 psi (120 kPa)
REAR	18 psi (120 kPa)

A manually operated tire pump should be used rather than the high pressure system found in service stations. This will minimize the possibility of tire damage from overinflation. If you use a high pressure system at a service station, add air in small amounts and check the pressure increase frequently to prevent possible tire damage from overinflation.

WARNING

Operating this Honda SXS with improper tires, uneven tire pressure, damaged tires, or overloading the tires may cause loss of control, and you could be seriously injured or killed.

- Always use the size and type of tire specified in this owner's manual for this vehicle.
- Always maintain proper tire pressure as described in this owner's manual.

Inspection

Refer to *Safety Precautions* on page 117.

Whenever you check the tire pressures, you should also look for:

- Bumps or bulges in the side of the tire or the tread. Replace any tire that has a bump or bulge.
- Cuts, slits, or cracks in the tires. Replace the tire if you can see fabric or cord.
- Nails or other foreign objects embedded in the side of the tire or tread.
- Excessive tread wear.

Tires

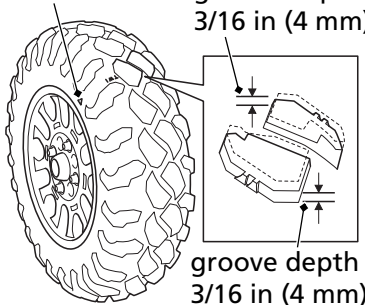
Also, if you hit a hard object while driving, stop as soon as you safely can and carefully inspect the tires for damage.

Tread Wear

FRONT

wear indicator
location mark

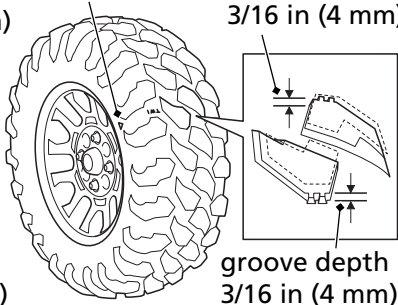
groove depth
3/16 in (4 mm)



REAR

wear indicator
location mark

groove depth
3/16 in (4 mm)



To check the condition of a tire tread, measure the groove depth in the center of the tire, or check the wear indicator.

For best performance, you should replace a tire before the tread depth at the center reaches the following limits:

front	3/16 in (4 mm)
rear	3/16 in (4 mm)

Tire Repair

Refer to *Safety Precautions* on page 117.

We strongly recommend that you replace, not repair, any tire that is punctured or damaged. As discussed below, a tire that is repaired, either temporarily or permanently, will have lower speed and performance limits than a new or undamaged tire.

A temporary repair can sometimes be made in an emergency situation. However, since a temporary repair may not hold, you must drive very slowly, preferably without any cargo, and have the tire replaced or permanently repaired as soon as possible. (For more information on temporary repairs, see *If You Have a Flat Tire*, page 235.)

A permanent repair, such as an internal plug patch, can be made if a tire has only a small puncture in the tread area. With such a repair, you should drive very slowly for the first 24 hours. However you may not be able to safely carry as much weight. If you choose to have a tire repaired, be sure the repair work is performed by a professional.

If you have a tire professionally repaired at a non-Honda facility, we recommend that you have the work checked by your Honda dealer.

Tires

Tire Replacement

Refer to *Safety Precautions* on page 117.

The tires that came on your Honda SXS were designed to match the performance capabilities of the vehicle and provide the best combination of handling, braking, and comfort.

It is best to replace all four tires. However, if that is not possible, you must replace the tires in pairs (front or rear) with tires of the same size and type as the originals. Never replace just one tire.

WARNING

Installing improper tires on your Honda SXS can affect handling and stability. This can cause a crash in which you can be seriously hurt or killed.

Always use the size and type of tires recommended in this owner's manual.

Tires

The recommended tires for your Honda SXS are:

front	28X9.00R15 NHS MAXXIS MU9H
rear	28X11.00R15 NHS MAXXIS MU9H

When you replace a tire, remember:

Have the tire replaced by your Honda dealer, if possible.

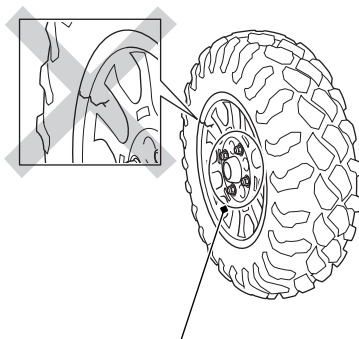
If you have a tire professionally replaced at a non-Honda facility, we recommend that you have the work checked by your Honda dealer.

Wheels

Inspection

Check that the wheel nuts are tight and there are no cracks or deformation in the wheel.

**CHECK FOR CRACKS
OR DEFORMATION.**



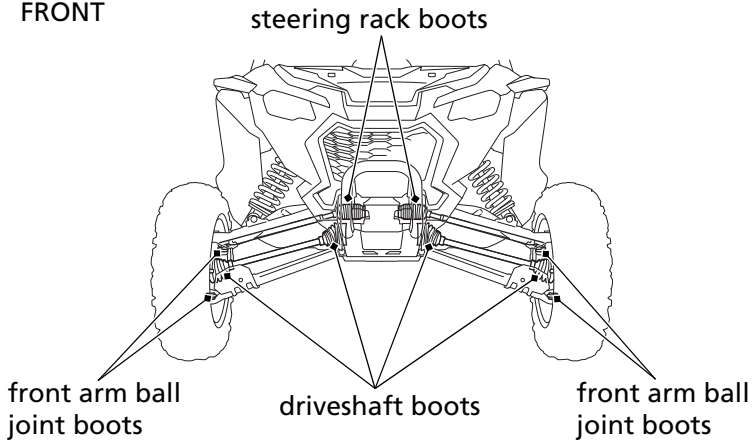
**CHECK THAT THE WHEEL
NUTS ARE TIGHT.**

Driveshaft Boots

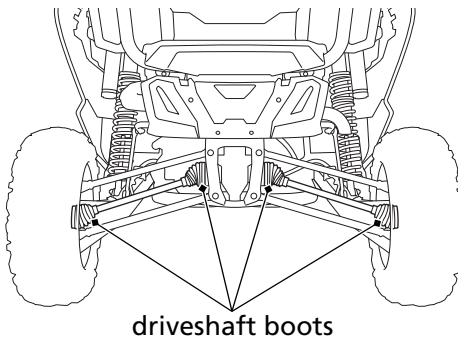
Refer to *Safety Precautions* on page 117.

Check the rubber boots for tears or traces of splattered grease.
If necessary, have your dealer replace them.

FRONT



REAR



Battery

Your Honda SXS has a maintenance-free type battery. You do not have to check the battery electrolyte level or add distilled water as you would with a conventional-type battery.

NOTICE

Your battery is a maintenance-free type and can be permanently damaged if the cap strip is removed.

Electrical accessories use current from the battery, some even when the ignition is OFF (O). Limited operation of your Honda SXS also allows the battery to discharge. If you have electrical accessories on your Honda SXS, or do not drive frequently, we recommend that you charge the battery frequently (see *Battery Charging*, page 208).

If you do not expect to drive your Honda SXS for at least two weeks, we recommend you remove the battery, or at least disconnect the battery cables (negative cable first).

If you plan to store your Honda SXS, see *Battery Storage*, page 205.

If your battery seems weak and/or is leaking electrolyte (causing slow starting or other electrical problems), see your dealer.

WARNING: Battery posts, terminals and related accessories contain lead and lead compounds. **Wash your hands after handling.**

Battery Storage

Refer to *Safety Precautions* on page 117.

If you plan to store your Honda SXS, we recommend you remove the battery and store it where it can be charged every 30 days to maintain its service life.

If you do not remove the battery, we recommend disconnecting the battery cables (negative cable first).

Check the terminals for corrosion (a white or yellowish powder). To remove it, cover the terminals with a solution of baking soda and water. It will bubble up and turn brown. When this stops, wash it off with plain water. Dry off the battery with a cloth or paper towel.

You will get the best storage results from removing the battery and slow charging it every 30 days (see *Battery Charging*, page 208). Before you remove the battery, be sure to read all the information that follows, as well as the information on the battery label.

WARNING

The battery gives off explosive hydrogen gas during normal operation.

A spark or flame can cause the battery to explode with enough force to kill or seriously hurt you.

Wear protective clothing and a face shield, or have a skilled mechanic do the battery maintenance.

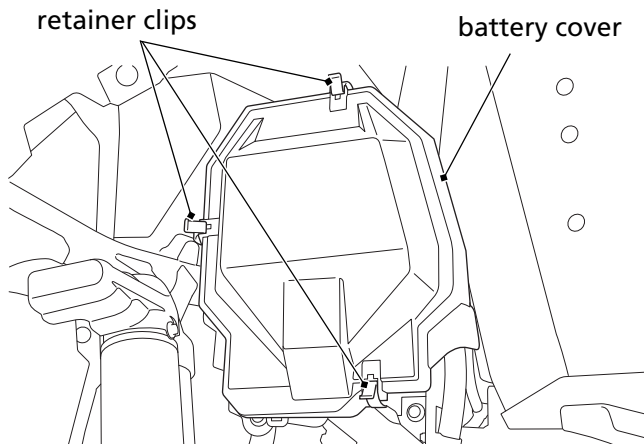
Battery

The battery is located under the left rear fender.

Removal

1. Make sure the ignition switch is OFF (O).
2. Unlatch the retainer clips and remove the battery cover.

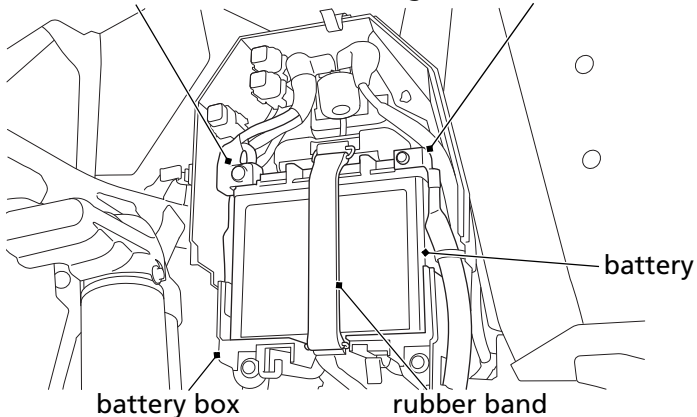
UNDER LEFT REAR FENDER



Battery

3. Disconnect the negative (-) terminal lead from the battery first, then disconnect the positive (+) terminal lead.
4. Unhook the rubber band.
5. Remove the battery from the battery box.
6. Charge the battery (see the following section), unless you have been driving regularly.
7. Store your battery in an easy-to-reach location off the floor, in an area protected from freezing temperature and direct sunlight.
8. Clean the battery box after removing the battery for storage. Dry the battery box.
9. Slow charge the battery (see following section) once every 30 days.

positive (+) terminal lead negative (-) terminal lead



Installation

Reinstall in the reverse order of removal.

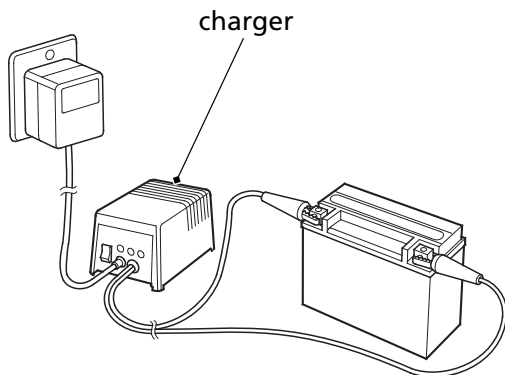
Be sure to connect the positive (+) terminal first, then the negative (-) terminal.

Make sure the clock is set to the proper time after the battery is reconnected (page 34).

Battery

Battery Charging

Refer to *Safety Precautions* on page 117.



Be sure to read the information that came with your battery charger and follow the instructions on the battery. Improper charging may damage the battery.

We recommend using a charger designed specifically for your Honda, which can be purchased from your dealer. These units can be left connected for long periods without risking damage to the battery. However, do not intentionally leave the charger connected longer than the time period recommended in the charger's instructions.

Avoid using an automotive-type battery charger. An automotive charger can overheat a Honda SXS battery and cause premature damage.

Appearance Care

Frequent cleaning and polishing will keep your Honda looking newer longer.

Frequent cleaning also identifies you as an owner who values their Honda SXS. A clean Honda SXS is also easier to inspect and service.

General Recommendations

Refer to *Safety Precautions* on page 117.

- To clean your Honda SXS, you may use:
 - water
 - Hondabrite
 - a mild, neutral detergent and water
 - a mild spray and wipe cleaner/polisherFor matte painted surfaces, use a spray cleaner. Avoid using a spray cleaner/polish.
- a mild spray and rinse cleaner/degreaser and water
- Avoid products that contain harsh detergents or chemical solvents that could damage the metal, paint, plastic, and painted plastic coating on your Honda SXS.
- If your Honda SXS is still warm from recent operation, give the engine and exhaust system time to cool off.
- Park in a shady area. Washing your Honda SXS in bright sunlight may cause the finish to fade because water droplets intensify the sun's brightness. Spotting is also more likely because surface water can dry before you have time to wipe it off.
- Clean your Honda SXS regularly to protect surface finishes.
- We recommend the use of a low pressure garden hose to wash your Honda SXS. High pressure washers (like those at coin-operated car washers) can damage certain parts of your Honda SXS.

NOTICE

High pressure water (or air) can damage certain parts of your Honda SXS.

(cont'd)

Appearance Care

- After cleaning, inspect for damage, wear, and leaks (fuel, oil, coolant, and brake fluid).

Washing Your Honda SXS with a Mild Detergent

Refer to *Safety Precautions* on page 117.

1. Rinse your Honda SXS thoroughly with cool water to remove loose dirt.
2. Fill a bucket with cool water. Mix in a mild, neutral detergent, such as dish washing liquid or a product made especially for washing motorcycles or automobiles.
3. Wash your Honda SXS with a sponge or soft towel. As you wash, check for heavy grime. If necessary, use a mild cleaner/degreaser to remove the grime.
4. After washing, rinse your Honda SXS thoroughly with plenty of clean water to remove any residue. Detergent residue can corrode alloy parts.
5. Dry your Honda SXS with a chamois or a soft towel. Leaving water on the surface to air dry can cause dulling and water spots. As you dry, inspect for chips and scratches.
6. Start the engine and let it idle for several minutes. The engine heat will help dry moist areas.

Appearance Care

7. As a precaution, drive your Honda SXS at a slow speed and apply the brakes several times. This will help dry the brakes and restore normal braking performance.

The headlights' inside lens may fog temporarily after washing or while driving in the rain. This does not impact the headlight function.

However, if you see a large amount of water or ice accumulated inside the lens(es), have your vehicle inspected by your dealer.

Appearance Care

Spray Cleaning Your Honda SXS

Refer to *Safety Precautions* on page 117.

Avoid using spray cleaner products on the tires or suspension components.

Suggestions for using spray cleaners:

Honda SXS condition	Recommended Cleaning
Dust and fingerprint smudges.	Apply a spray cleaner/polish* and wipe paint, chrome, glass, and clear plastic.
Light road grime.	Spray any difficult-to-reach or very dirty areas with a spray cleaner/degreaser. Rinse and dry. Apply a spray cleaner/polish* and wipe with a non-abrasive cloth.
Heavy grime. Oil leaks. Brake dust.	Use a spray cleaner/degreaser. If necessary, rub with a sponge. Rinse and dry. Apply a spray cleaner/polish* and wipe with a non-abrasive cloth.
Dull, corroded chrome or aluminum.	Apply a high quality chrome/aluminum polish and wipe with a non-abrasive cloth.

* For matte painted surfaces, use a spray cleaner. Avoid using a spray cleaner/polish.

Appearance Care

Aluminum Wheel Maintenance

Refer to *Safety Precautions* on page 117.

Aluminum may corrode from contact with dirt, mud, or road salt. Clean the wheels after driving through any of these substances. Use a wet sponge and mild detergent. Avoid stiff brushes, steel wool, or cleaners containing abrasives or chemical compounds.

After washing, rinse with plenty of water and dry with a clean cloth. Do not use wax or polishing compounds on matte painted surface.

Exhaust Pipe and Muffler Maintenance

Refer to *Safety Precautions* on page 117.

The exhaust pipe and muffler are stainless steel but may become stained by mud or dust. Make sure no flammable materials or debris are sticking to the exhaust system. If any flammable materials or debris is found, remove it.

To remove mud or dust, use a wet sponge and a liquid kitchen abrasive, then rinse well with clean water. Dry with chamois or a soft towel.

If necessary, remove heat stains by using a commercially available fine texture compound. Then, rinse by the same manner as removing mud or dust.

Appearance Care

Finishing Touches

Refer to *Safety Precautions* on page 117.

(Except for matte painted surface)

After washing your Honda SXS, consider using a commercially available spray cleaner/polish or quality liquid or paste wax to finish the job. Use only a non-abrasive polish or wax made specifically for motorcycles or automobiles. Apply the polish or wax according to the instructions on the container.

(USA only)

If a surface on your Honda SXS is chipped or scratched, your dealer has touch-up paint to match your Honda SXS's color. Be sure to use your Honda SXS's color code (page 257) when you buy touch-up paint.

If the frame has a chip that exposes the metal, first apply primer (to prevent corrosion) and then apply the touch-up paint. Several thin layers of touch-up paint are better than one thick coat.

Cleaning Matte Painted Surfaces

Refer to *Safety Precautions* on page 117.

Use a soft cloth or sponge, plenty of water, and a mild detergent to clean the matte paint. Dry with a soft cloth.

Do not use polishing compounds or wax containing polishing compounds. These can damage or discolor the matte painted surface.

Here's some helpful advice on how to prepare for an off-road adventure, how to transport and store your Honda, and how to be an environmentally responsible Honda SXS owner.

Preparing for a Drive.....	216
What to Take to the Operating Area.....	216
What to Take on the Trail	217
Transporting Your Honda	218
Storing Your Honda.....	219
Preparation for Storage.....	220
Removal from Storage	222
You & the Environment	223

Preparing for a Drive

A safe and enjoyable drive begins with good planning and preparation. Always drive with at least one other person in case you have trouble, and let someone know where you're going and when you expect to return.

Before driving in an unfamiliar area, find out in advance if you need special permits, get maps so you can study the terrain, and talk to other drivers who know the area. The Forest Service and the Bureau of Land Management (USA only), driver's clubs, and off-road magazines are good sources of information.

What to Take to the Operating Area

Along with your Honda SXS and personal safety gear, you should take along some tools and supplies in case you have a problem. For some of the difficulties you might encounter, see *Taking Care of the Unexpected*, which begins on page 225.

We recommend that you always take water, food, a first aid kit, and your owner's manual. Other items you should consider taking along include:

- a tool kit
- tire repair supplies and tools
- wire, duct tape, and rope
- extra gasoline and a fire extinguisher

Preparing for a Drive

What to Take on the Trail

What you take with you during a ride depends on the kind of terrain, how long you expect to drive, how far you might go from help, and how experienced you or your companions are in making repairs.

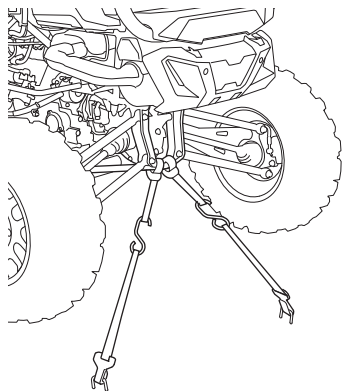
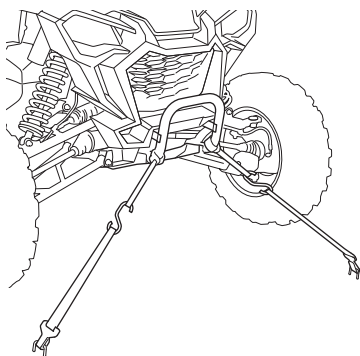
If you decide to take some tools, spare parts, or other supplies on the trail, be sure you can carry them safely and know how to use them. Also, be sure to follow the loading guidelines and weight limit (page 84).

Transporting Your Honda

Do not tow your Honda SXS behind a car or other vehicle.

Follow these procedures:

1. Shift the shift select lever into the park (P) position.
2. Secure the vehicle with tie-down straps in the areas shown.
 - Suitable tie-down straps are available from your dealer.
 - Ordinary rope is not recommended because it can stretch under load.
 - Using tie-down straps in any other areas can damage your Honda SXS.
3. Rock the vehicle back and forth to make sure the tie-down straps are tight and the vehicle is secure.



Storing Your Honda

If you won't be driving for an extended period, such as during the winter, thoroughly inspect your Honda SXS and correct any problem before storing it. That way, needed repairs won't be forgotten and it will be easier to get your Honda SXS running again.

(USA only)

For more information about storage, refer to the Honda Winter Storage Guide, available from your dealer.

We suggest you perform the following procedures to keep your Honda SXS in top condition. These storage procedures will reduce the deterioration that can occur during storage.

Storing Your Honda

Preparation for Storage

Refer to *Safety Precautions* on page 117.

1. Change the engine oil and filters (page 144).
2. Make sure the cooling system is filled with a 50/50% antifreeze solution (page 161).
3. Add Pro Honda Fuel Stabilizer or equivalent to the fuel tank before filling it with fuel. Fill the fuel tank. Make sure the fuel fill cap is properly installed. Run the engine so that the treated fuel will circulate into the fuel injectors.
4. To prevent rusting in the cylinder, perform the following:
 - Disconnect the spark plug caps from the spark plugs.
 - Remove the spark plugs.
Do not connect the spark plugs to the spark plug caps.
 - Pour a tablespoon (15 – 20 cc) of clean engine oil into the cylinder and cover the spark plug holes with a piece of cloth.
 - Turn the ignition switch to the START (II) position and crank the engine several times to distribute the oil.
 - Reinstall the spark plugs and spark plug caps.

Storing Your Honda

5. Remove the battery and charge it fully. Store it in an area protected from freezing temperatures and direct sunlight. Slow charge the battery (page 208) once a month.

WARNING

The battery gives off explosive hydrogen gas during normal operation.

A spark or flame can cause the battery to explode with enough force to kill or seriously hurt you.

Wear protective clothing and a face shield, or have a skilled mechanic do the battery maintenance.

6. Wash and dry your Honda SXS. Wax all painted surfaces (except matte painted surface).
7. Inflate the tires to their recommended pressures (page 196).
8. Store your Honda SXS in an unheated area, free of dampness, away from sunlight, with a minimum of daily temperature variation.
9. Place your Honda SXS on blocks to lift all tires off the floor.
10. Cover your Honda SXS with a porous material. Avoid using plastic or similar non-breathing, coated materials that restrict air flow and allow heat and moisture to accumulate.

Storing Your Honda

Removal from Storage

Refer to *Safety Precautions* on page 117.

1. Uncover and clean your Honda SXS.
2. If your Honda SXS has been stored for more than four months — change the engine oil (page 144).
3. If your Honda SXS has been stored for more than two months — ask your dealer to drain and replace the fuel.
4. Charge the battery (page 208) as required. Install the battery.
5. Perform a pre-drive inspection (page 80), then test-ride your Honda SXS at low speeds.

You & the Environment

Owning and operating a Honda SXS can be enjoyable, but you must do your part to protect nature. When you show respect for the land, wildlife, and other people, you also help preserve off-road driving.

Following are tips on how you can be an environmentally responsible Honda SXS owner.

- **Tread Lightly.** Stay on existing paths and trails, avoid surfaces that are easily damaged, and drive only in areas approved for off-road vehicles.
- **Keep the Noise Down.** Loud vehicles can be offensive. Drive as quietly as possible, don't remove your spark arrester, and don't modify the muffler or any other part of your air intake and exhaust systems. Such modifications not only increase noise, they also reduce engine performance and may be illegal.
- **Choose Sensible Cleaners.** Use a biodegradable detergent when you wash your Honda SXS. Avoid aerosol spray cleaners that contain chlorofluorocarbons (CFCs) which damage the atmosphere's protective ozone layer. Don't throw cleaning solvents away; see the following guidelines for proper disposal.
- **Recycle Wastes.** It's illegal and thoughtless to put used engine oil in the trash, down a drain, or on the ground. Used oil, gasoline, and cleaning solvents contain poisons that can hurt refuse workers and contaminate our drinking water, lakes, rivers, and oceans. Before changing your oil, make sure you have the proper containers. Put oil and other toxic wastes in separate sealed containers and take them to a recycling center. Call your local or state office of public works or environmental services to find a recycling center in your area and to get instructions on how to dispose of non-recyclable wastes.

This page intentionally left blank.

Taking Care of the Unexpected

With all the challenges you can encounter off-road, there's a chance that sometime something may go wrong. This section gives practical advice to help you deal with a wide range of problems. Take time to read this section before you drive. Also review the tips in *Preparing for a Drive* (page 216).

General Guidelines	226
If Your Engine Quits or Won't Start	228
If the Transmission Is Not Functioning Properly	231
If You Have a Flat Tire	235
If the High Coolant Temperature Indicator Lights	238
If the Clutch Temperature Indicator Flashes	240
If a Fuse Blows.....	241
If You Crash	249
If You Lose Your Key	250
If the Battery Is Low	251
If a Component Fails.....	253
If the Vehicle Speed Does Not Exceed 15 mph (24 km/h)	254

Taking Care of the Unexpected

General Guidelines

Keeping your Honda SXS well-maintained is the best way to reduce the possibility of having a problem while driving. However, problems can arise even with well-maintained machines.

Remember to take along your owner's manual, the tool kit that came with your Honda SXS, and any other items (such as tire repair supplies and additional tools) that might help you solve a problem on your own.

If something goes wrong during a drive, the first thing to do is stop as soon as you safely can. Do not continue driving if you have a flat tire, or you hear an unusual noise, or your Honda SXS just doesn't feel right. If you continue driving, you could cause more damage and endanger your own safety.

After stopping, take time to assess the situation. Carefully inspect your Honda SXS to identify the problem, then consider your options before you decide what to do.

If a problem is relatively minor and you have the tools, supplies, and skills to make a permanent repair, you may be able to fix it on the trail and continue driving.

When a problem is more serious — or you don't have the tools, supplies, experience, or time to deal with it — you need to choose the safest way to get yourself and your Honda SXS back home.

Taking Care of the Unexpected

Should you ever have a problem while driving, please follow these guidelines:

- Always put personal safety first.
- Take time to assess the situation and your options before deciding what to do.
- If the problem is relatively minor and you have the tools, supplies, and skills to make a temporary repair, be sure to have permanent repairs made as soon as possible.
- Do not continue driving if you are hurt or your Honda SXS is not in safe driving condition.

Additional recommendations for specific problems follow.

If Your Engine Quits or Won't Start

Proper operation and maintenance can prevent starting and engine performance problems. In many cases, the cause of the problem may be a simple operational oversight.

If you have a problem starting the engine — or experience poor engine performance — the following information may help you. If you can't correct the problem, see your dealer.

If your SXS won't start, listen as you turn the ignition key to the START (II) position. If you don't hear the starter motor turning, refer to the *Starter motor doesn't operate* symptom. If you can hear the starter motor working normally, refer to the *Starter motor works, but the engine won't start* symptom.

If Your Engine Quits or Won't Start

SYMPTOM: Starter motor doesn't operate.	
POSSIBLE CAUSE	WHAT TO DO
transmission not in park (P) or neutral (N) position	Shift into park (P) or neutral (N) position or press on the brake pedal.
blown fuse	Replace with a new fuse of the same rating (page 241).
battery lead loose	Tighten the battery lead.
low battery	Charge the battery (page 208). If charging doesn't help, see your dealer.
faulty starter motor	If all possible causes are negative, the starter motor may be faulty. See your dealer.

SYMPTOM: Starter motor works, but the engine won't start.	
POSSIBLE CAUSE	WHAT TO DO
out of fuel	Fill the fuel tank.
flooded engine	See starting the engine (page 89).
loose or unconnected spark plug caps	Install the spark plug caps securely. If the engine still won't start, see your dealer.
loose battery cables	Tighten the battery terminal bolts.
weak battery	Charge the battery (page 208). If charging doesn't help, see your dealer.

If Your Engine Quits or Won't Start

SYMPTOM: Engine starts, but runs poorly.	
POSSIBLE CAUSE	WHAT TO DO
high coolant temperature	Check the high coolant temperature indicator. Refer to <i>If the High Coolant Temperature Indicator Lights</i> , page 238.
runs erratically, misfires	May damage catalytic converter. See your dealer.
blubbers (rich fuel mixture)	See your dealer.
sooty exhaust (rich fuel mixture)	See your dealer.
detonates or pings under load	If applicable, switch to the recommended octane gasoline (page 136) or change your brand of gasoline. If the problem persists, see your dealer.
afterfires (backfires)	May damage catalytic converter. See your dealer.
pre-ignition (runs on after ignition switched OFF)	May damage catalytic converter. See your dealer.

SYMPTOM: Engine starts, but runs poorly or dies when hot.	
POSSIBLE CAUSE	WHAT TO DO
poor or inadequate fuel flow due to clogged fuel filter	See your dealer. (ensure clean fuel supply)

If the Transmission Is Not Functioning Properly

If the gear position indicator is blinking, perform the following:

1. If you are driving your Honda SXS, stop at a safe place.
2. Shift the shift select lever to the park (P) position.
3. Check the pattern displayed on the gear position indicator, and then perform the following.

"P", "R", "N", "H" or "L" is blinking:

You can drive in either AT mode or MT mode. See your dealer as soon as possible.

"1", "2", "3", "4", "5" or "6" is blinking:

At high-range (H) or low-range (L), you can drive only in the gear position that is blinking. You can also drive in reverse (R).

To avoid damaging the clutch, we recommend that you drive in low-range (L). The engine brake may not work, so please drive slowly. See your dealer as soon as possible.

"—" is blinking:

Check for SXS failure again. Perform the following procedure.

1. Check that the shift select lever is at the park (P) position.
2. Turn the ignition switch to the OFF (O) position.
3. Turn the ignition switch to the START (II) position and then start the engine.
4. Check the gear position indicator display, and then perform the following.

(cont'd)

If the Transmission Is Not Functioning Properly

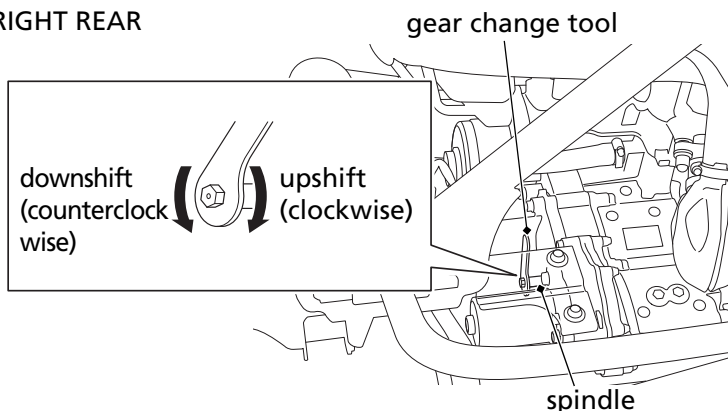
If “-” continues to blink:

Change the gear position by using the gear change tool, and tighten the emergency valve. Perform the following procedure.

1. Turn the ignition switch to the OFF (O) position to stop the engine.
2. Turn the ignition switch to the ON (I) position. Do not turn it to the START (II) position.
3. Take out the gear change tool from the storage compartment (page 129).
4. Put the gear change tool on the spindle which is located on the crankcase.
5. To downshift, turn the gear change tool counterclockwise. To upshift, turn the gear change tool clockwise. When you upshift one position from the lowest downshift position, “E” blinks in the gear position indicator.

If you cannot shift properly, shift the shift select lever to the high-range (H) position, and while pushing the gear change tool in the direction you want to rotate, rock the vehicle back and forth. When the transmission shifts, return the shift select lever to the park (P) position.

RIGHT REAR



If the Transmission Is Not Functioning Properly

6. Return the gear change tool to the storage compartment.
7. Check that "E" is blinking. Next, tighten the emergency valve.
Proceed to "E" is blinking.

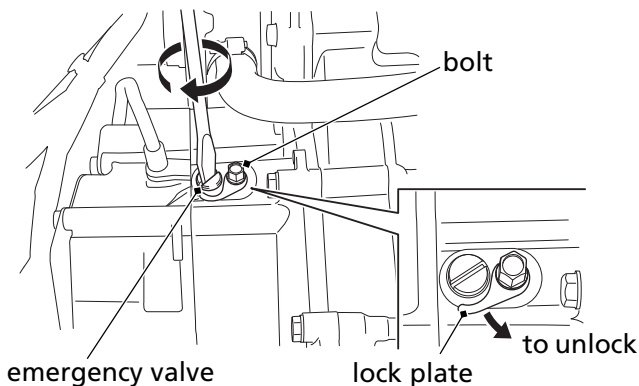
If "--" is not displayed in the gear position indicator and you change the gear position by using the gear change tool, the DCT system will automatically stop. To reactivate the system, turn the ignition switch to the OFF (O) position, and then turn it back to the ON (I) position.

"E" is blinking:

Tighten the emergency valve. Perform the following procedure.

1. Turn the ignition switch to the OFF (O) position to stop the engine.
2. Loosen the bolt and release the lock plate, and turn the emergency valve all the way in.

RIGHT REAR



3. Return the lock plate and tighten the bolt securely.

(cont'd)

If the Transmission Is Not Functioning Properly

4. Turn the ignition switch to the START (II) position to start the engine.
 5. Check that the gear position ("1", "2", "3", "4", "5" or "6") is blinking.
 6. At high-range (H) or low-range (L), you can drive only in the gear position that is blinking. You can also drive in reverse (R).
To avoid damaging the clutch, we recommend that you drive in low-range (L). The engine brake may not work, so please drive slowly. See your dealer as soon as possible.
- When in the reverse (R), high-range (H), or low-range (L) position, low oil temperatures will cause the vehicle to move slowly. Shift into the park (P) position and warm up the engine.
 - When restarting the engine, although "E" stops blinking, the gear position ("1", "2", "3", "4", "5" or "6") blinks, and the low oil pressure indicator comes on, you can drive the vehicle.

If You Have a Flat Tire

How you handle a flat tire on the trail depends on how serious the tire damage is, and what tools and supplies you have with you.

If you have a slow leak or a minor puncture, use the plug method to make a temporary repair. (The plug method is applied from the outside of the tire and is the same as that for conventional tubeless tires.)

A plug-type repair kit, available at most auto parts stores or service stations, provides a plug, an installation tool, tire cement, and an instruction sheet. Follow the instructions provided with the repair kit to make a temporary repair.

As soon as possible, have the tire permanently repaired by your dealer.
Any tire that cannot be repaired should be replaced.

Whenever the Honda SXS is to be operated far from service facilities or available transportation, we recommend that you carry a tire pump and a repair kit with the vehicle.

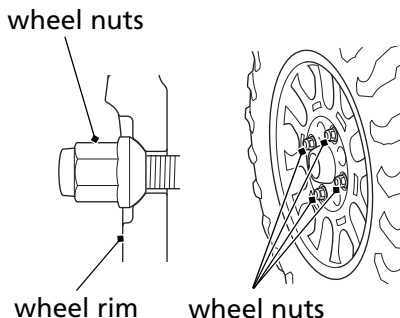
If the leak is more serious, or a temporary repair doesn't hold, the tire must be replaced. The tire will also need to be replaced if it is damaged (page 197). Replacing a tire involves removing and re-installing the wheel (page 236).

If you are unable to repair a flat tire on the trail, you will need to send for help. We strongly recommend that you do not try to drive with a flat tire. The Honda SXS will be hard to handle, and if the tire comes off the rim, it may lock up the wheel and cause you to crash or overturn.

If You Have a Flat Tire

Emergency Wheel Removal/Installation

Refer to *Safety Precautions* on page 117.



Removal

1. Park your Honda SXS on a firm, level surface.
2. Loosen — but do not remove — the wheel nuts.
3. Raise the front (or rear) wheels off the ground (page 135).
4. Remove the wheel nuts.
5. Remove the wheel.
 - Avoid getting grease, oil, or dirt on the disc or pad surfaces when removing and installing each wheel. Any contamination can cause poor brake performance or rapid pad wear after reassembly.

If You Have a Flat Tire

Installation

1. Thoroughly clean hub and wheel.
2. Position the wheel.
3. Position the wheel nuts so that the tapered sides face the wheel rim.
4. Hand-tighten the wheel nuts on the wheel, then lower the Honda SXS to the ground before tightening the nuts in a crisscross (rather than circular) pattern to the specified torque:
80 lbf·ft (108 N·m, 11 kgf·m)

If a torque wrench was not used for installation, see your dealer as soon as possible to verify proper assembly. Improper assembly may lead to loss of control and braking capability.

If the High Coolant Temperature Indicator Lights

Normally, the high coolant temperature indicator will only light momentarily when you turn the ignition ON (I). Occasionally, it may flicker at or near idling speed.

High coolant temperature may be caused by restriction of air flow to the radiator (such as mud caked on the radiator), extended idling, an oil leak, a coolant leak, a low oil level, a low coolant level, or extended operation under adverse conditions.

If all the sections of the coolant temperature gauge including segment H and high coolant temperature indicator are on while you're driving, don't ignore it. Pull safely to a stop. Stop the engine as soon as it's safe to do so, and let it cool.

NOTICE

Continuing to drive with high coolant temperature or an overheated engine can cause serious engine damage.

- A steaming engine indicates a coolant leak. Shut the engine off and wait until the steaming stops. Look for a leak, but don't touch the engine or radiator system. Let everything cool off first.
- Check for any restriction of air flow to the radiator.
- If there's no obvious problem, leave the engine on so the fan and coolant circulating system can continue working. Monitor the coolant temperature gauge and high coolant temperature indicator. The coolant temperature gauge and indicator may return to normal after a brief stop with no load on the engine.
- Check the radiator fan.

If the fan is not working, turn the engine off. Remove the battery cover (page 206) and check the radiator fan fuse. If the fuse is blown, replace it with the proper (same rating) spare fuse. Start the engine. If all the sections of the coolant temperature gauge including segment H and high coolant temperature indicator stay on, turn the engine off.

If the radiator fan is working, visually check the coolant level in the reserve tank located under the front hood. It isn't necessary to touch the radiator system.

If the High Coolant Temperature Indicator Lights

- If the reserve tank is low or empty, don't drive without adding coolant (page 162). After adding coolant, turn the engine on and check the coolant temperature gauge and high coolant temperature indicator.

If the indicator doesn't turn off, do not drive. The engine needs repair.

Transport your Honda SXS to a dealer (page 218).

If the temperature drops to normal, check the coolant level. If it has gone down, add more coolant.

- Check for an oil leak.
- Check the oil level. If necessary, add the recommended oil (page 140) to the upper level mark. If you must leave your Honda SXS to get oil, secure it as much as possible.
- Start the engine, and check that the coolant temperature gauge and high coolant temperature indicator are normal.

If the coolant temperature gauge and indicator return to normal, resume driving. If there is a leak, do not drive the SXS until the leak is repaired by your dealer.

If there's a mild coolant leak, you can drive for a while, carefully watching the coolant temperature gauge and indicator. Be prepared to stop and add more coolant or water. If the leak is bad, transport your Honda SXS to your dealer (page 218).

If the Clutch Temperature Indicator Flashes

The clutch temperature indicator flashes if the clutch temperature becomes unusually high. If the indicator flashes, release the accelerator pedal as soon as it is safe to and apply the brakes.

Shift the transmission to neutral (N) or park (P) and allow the engine to idle until the indicator stops flashing. Once the indicator stops flashing, the vehicle is safe to operate. If the clutch temperature indicator continues to flash, have your vehicle inspected by your dealer.

The clutch temperature indicator may flash under certain conditions, such as slow speed rock crawling, holding the vehicle stationary on an incline with the accelerator pedal, when the vehicle is stuck and the wheels are not turning, or attempting to pull an immovable object.

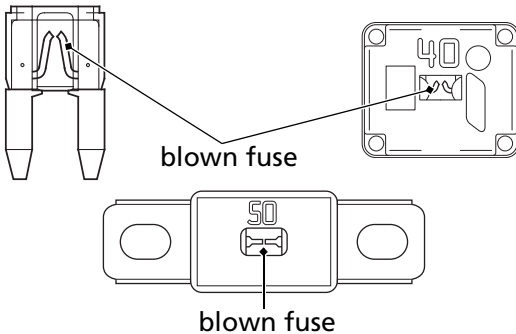
NOTICE

Continuing to apply the accelerator pedal with the clutch temperature indicator flashing can damage the clutch.

If a Fuse Blows

All of the electrical circuits on your Honda SXS have fuses to protect them from damage caused by excess current flow (short circuit or overload).

If something electrical on your Honda SXS stops working, the first thing you should check for is a blown fuse.



Check all the fuses before looking elsewhere for another possible cause of the problem. Replace any blown fuses and check component operation.

The main fuse and circuit fuses are located in the fuse box under the fuse box lid.

The electric power steering (EPS) fuse, brake traction control system (BTCS) fuse and radiator fan fuse are located in the battery cover.

If a Fuse Blows

Recommended Fuses

main fuse	50 A
circuit fuses	SXS1000S4X 30 A × 2, 15 A × 2, 10 A × 7 SXS1000S4XD 30 A × 2, 15 A × 1, 10 A × 8
electric power steering (EPS) fuse	40 A
brake traction control (BTCS) fuse	40 A
radiator fan fuse	40 A

If a Fuse Blows

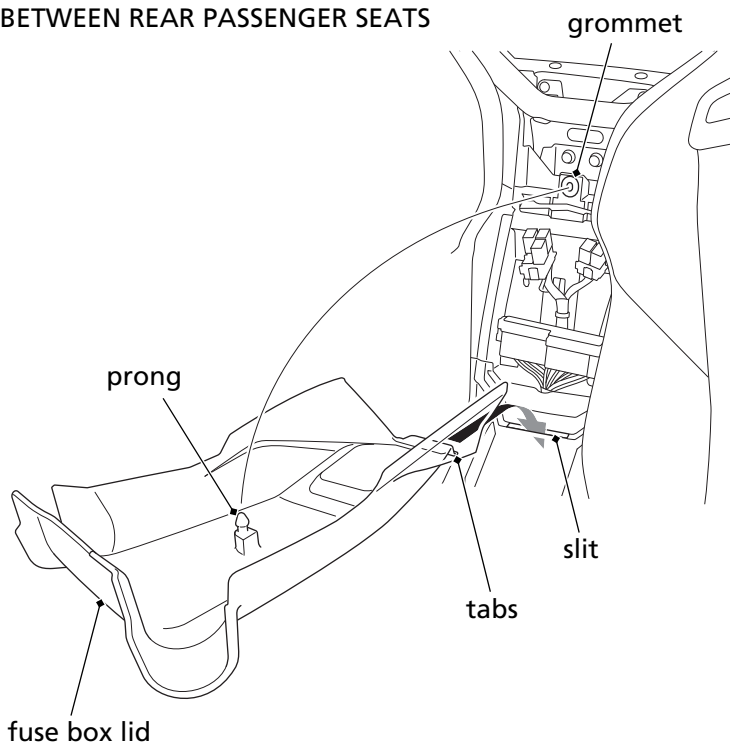
Main & Circuit Fuses

1. To prevent an accidental short circuit, turn the ignition switch OFF (O) before checking or replacing fuses.
2. Pull the top of fuse box lid out to release its prong from the grommet.
3. Pivot the fuse box lid down.
Be careful not to damage the rear passenger seat surfaces while removing the fuse box lid.
4. Remove the fuse box lid by releasing its tabs from the slit.

(cont'd)

If a Fuse Blows

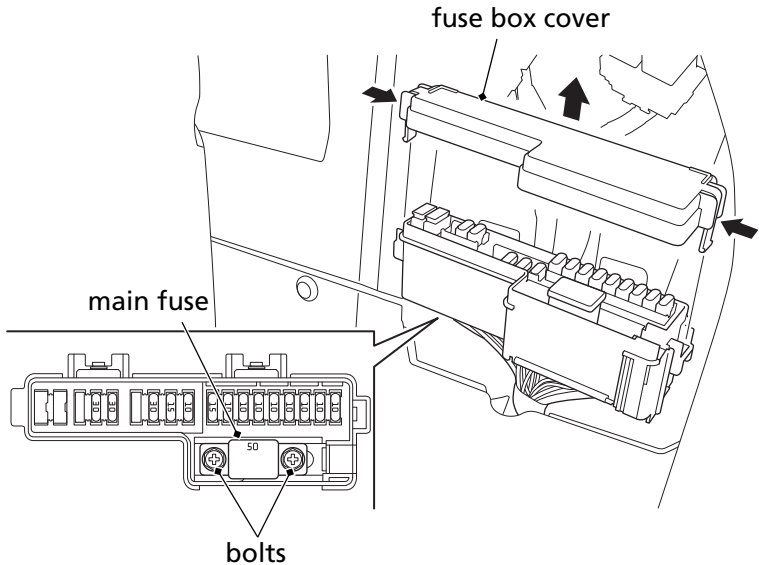
BETWEEN REAR PASSENGER SEATS



If a Fuse Blows

Main Fuse Access

3. Remove the fuse box cover.
4. To access the main fuse, remove the bolts, and then pull the main fuse out. If the main fuse is blown, see your dealer for this service.



(cont'd)

If a Fuse Blows

Circuit Fuse Access

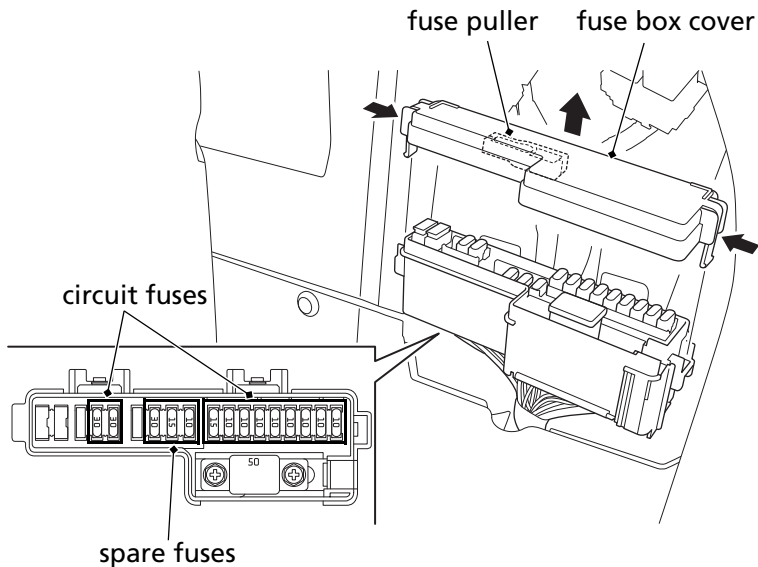
5. To check or replace a circuit fuse, pull the fuses out one by one with the fuse puller located behind the fuse box cover. If the fuse is blown, replace it with a spare fuse of the same rating.

If you do not have a replacement fuse with the proper rating for the circuit, install one with a lower rating.

NOTICE

Replacing a fuse with one that has a higher rating greatly increases the chance of damage to the electrical system.

6. Install the removed parts in reverse order of removal.



If a Fuse Blows

Other Fuses

1. Turn the ignition switch to OFF (O) before checking the fuse.
2. Remove the battery cover (page 206).

Electric Power Steering (EPS) Fuse Access

3. To access the EPS fuse, remove the fuse cover.
If the EPS fuse is blown, see your dealer for this service.

Brake Traction Control System (BTCS) Fuse Access

4. To access the BTCS fuse, remove the fuse cover.
If the BTCS fuse is blown, see your dealer for this service.

Radiator Fan Fuse Access

5. To access the radiator fan fuse, remove the fuse cover.
If the radiator fan fuse is blown, see your dealer for this service.

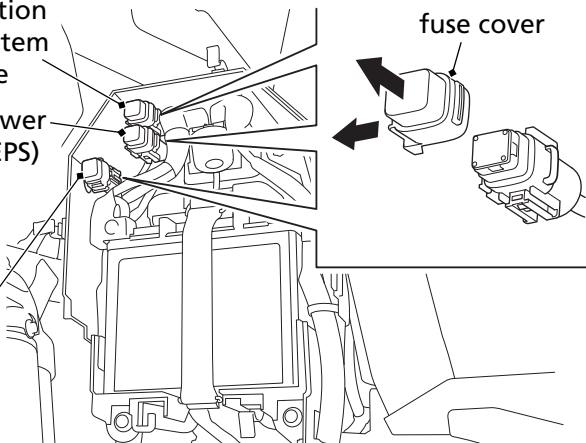
6. Install the fuse covers.
7. Install the battery cover.

UNDER LEFT REAR FENDER

brake traction
control system
(BTCS) fuse

electric power
steering (EPS)
fuse

radiator
fan fuse



(cont'd)

If a Fuse Blows

If you do not have a spare fuse and you cannot drive the Honda SXS without fixing the problem, take a fuse of the same rating or a lower rating from one of the other circuits that you can do without temporarily.

If you replace a blown fuse with a spare fuse that has a lower rating, replace the fuse with the correct rating as soon as you can. Also remember to replace any spare fuses that were installed.

If the replacement fuse of the same rating burns out in a short time, there is probably a serious electrical problem on your Honda SXS. Leave the blown fuse in that circuit and have your Honda SXS checked by your dealer.

If You Crash

Personal safety is your first priority after a crash. If you or anyone else has been injured, take time to assess the severity of the injuries and whether it is safe to continue driving. If you cannot drive safely, send someone for help. Do not drive if you will risk further injury.

If you decide that you are capable of driving your SXS safely, first evaluate the condition of your SXS. If the engine is still running, turn it off and look it over carefully; inspect it for fluid leaks, check the tightness of critical nuts and bolts securing such parts as the steering wheel, control levers, brakes, and wheels.

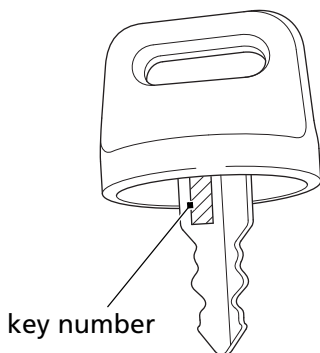
If there is minor damage, or you are unsure about possible damage but decide to try driving the Honda SXS back to your base, drive slowly and cautiously.

Sometimes, crash damage is hidden or not immediately apparent. When you get home, thoroughly check your Honda SXS and correct any problems you find. Also, be sure to have your dealer check the frame suspension, seat belts, and occupant protective structure after any serious crash.

If You Lose Your Key

Be sure to record your key number. Store the spare key and recorded key number in a safe location. You'll need this number to have a duplicate key made.

If you lose your key and aren't carrying a duplicate, either get your spare or have one made. If you don't know your key number, call the dealer where you purchased your Honda SXS. They may have it listed in their records. If they don't, transport your Honda SXS to them or the nearest dealer. The dealer will probably have to remove the ignition switch assembly to find the key number so they can make a key for you.



If the Battery Is Low

If the battery is low, the starter motor doesn't operate or works poorly, and you can't start the engine.

Jump starting your Honda SXS should be avoided.

Instead, the battery should be removed and recharged (page 208).

If you can't charge the battery or it appears unable to hold a charge, contact your dealer.

WARNING

The battery gives off explosive hydrogen gas during normal operation.

A spark or flame can cause the battery to explode with enough force to kill or seriously hurt you.

Wear protective clothing and a face shield, or have a skilled mechanic do the battery maintenance.

WARNING: Battery posts, terminals and related accessories contain lead and lead compounds. **Wash your hands after handling.**

However, when there is no option other than jump starting, follow the instructions given below.

NOTICE

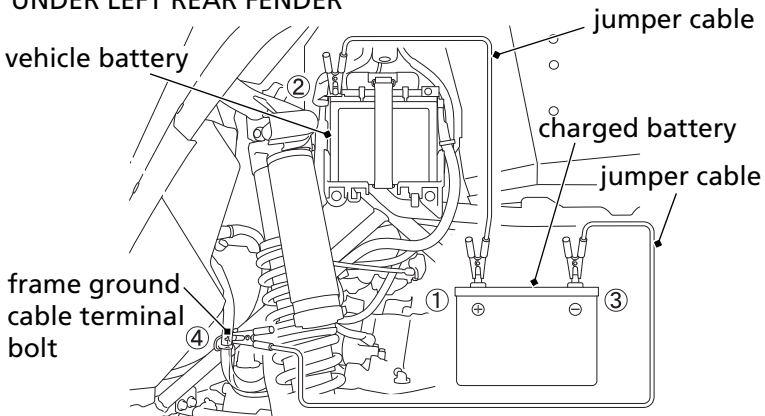
If a battery sits in extreme cold, the electrolyte inside can freeze. Attempting to jump start with a frozen battery can cause it to rupture.

Use a battery that is the same as the one in the vehicle or an equivalent.

If the Battery Is Low

1. To prevent an accidental short circuit, turn the ignition switch OFF (O).
2. Remove the battery cover (page 206).
3. Using a fully charged 12-volt battery, connect the positive (+) side of the jumper cable to the charged battery, and connect the positive (+) side on the other end of the jumper cable to the positive (+) terminal of vehicle battery.
4. Connect the negative (-) side of the jumper cable to the charged battery, and connect the negative (-) side on the other end of the jumper cable to the frame ground cable terminal bolt.
5. After starting the engine, remove the negative (-) sides of the jumper cable from the vehicle and the battery. Then, remove the positive (+) sides of the jumper cable from the vehicle battery and the charged battery.
6. Install the battery cover.
 - Do not let the positive (+) side of the jumper cable touch on the negative (-) terminal.
 - If the jumper cable is connected to the battery with the polarity reversed, the battery can explode or the electrical system will be seriously damaged.

UNDER LEFT REAR FENDER



If a Component Fails

The brake lines, control cables, and other components can be damaged as you drive in dense brush or over rocky terrain. Making a trailside repair depends on how serious the damage is and what tools and supplies you have with you.

- If any component in the brake system is damaged, you may have reduced or limited stopping power. If you decide to continue driving back to your base, do so cautiously and at a very low speed.
- If you damage the accelerator cable or other critical component, your Honda SXS may be unsafe to drive. Carefully assess the damage and make any repairs that you can. But if there is any doubt, it's best to be conservative and safe.

If the Vehicle Speed Does Not Exceed 15 mph (24 km/h)

If the driver's side seat belt is not latched properly, the maximum vehicle speed will be limited to no more than 15 mph (24 km/h) by the seat belt speed limiting system (page 60).

Also, the seat belt indicator and speedometer digits blink.

Make sure that the driver's side seat belt is latched properly. If the problem persists, see your dealer.

Technical Information

This section contains dimensions, capacities, and other technical data, plus information on government requirements and how to break-in your Honda SXS.

Vehicle Identification	256
Specifications	258
Break-in Guidelines.....	265
Emission Control Systems (USA only)	266
Oxygenated Fuels (USA only)	270
Petrol Containing Alcohol (Australia & New Zealand only).....	272
Catalytic Converter	273

Vehicle Identification

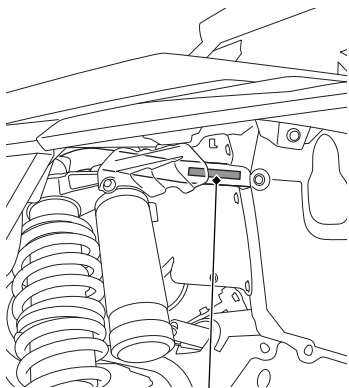
Serial Numbers

The VIN and engine serial number may be required when ordering replacement parts. You may record these numbers in the Quick Reference section at the rear of this manual.

The VIN is stamped on the left side of the frame, located under the left front fender.

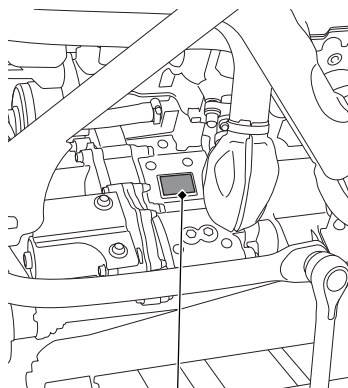
The engine number is stamped on the upper side of the rear crankcase.

UNDER LEFT FRONT FENDER



VIN

UNDER RIGHT REAR FENDER



engine number

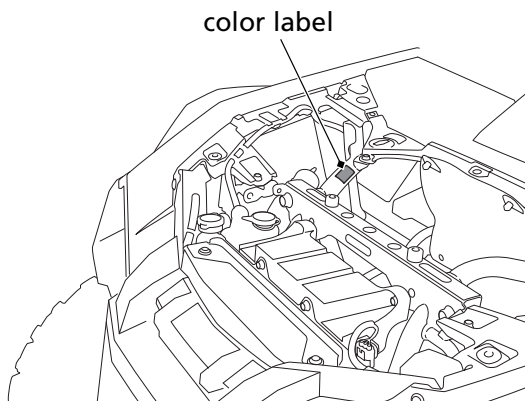
Vehicle Identification

Color Label & Code

The color label is attached to the right side of the frame, located under the front hood (page 131).

The color code is helpful when ordering replacement parts. You may record the color and code in the Quick Reference section at the rear of this manual.

UNDER FRONT HOOD



Specifications

Dimensions	
overall length	SXS1000S4X 152.5 in (3,873 mm) SXS1000S4XD 152.5 in (3,874 mm)
overall width	64.0 in (1,625 mm)
overall height	SXS1000S4X 78.5 in (1,995 mm) SXS1000S4XD 78.1 in (1,984 mm)
wheelbase	116.4 in (2,956 mm)
ground clearance	SXS1000S4X 12.8 in (324 mm) SXS1000S4XD 12.6 in (320 mm)
curb weight	SXS1000S4X A: 1,735 lb (787 kg) AC: 1,737 lb (788 kg) SXS1000S4XD VA: 1,753 lb (795 kg) VAC: 1,755 lb (796 kg)

Specifications

Fuel & Lubricants	
fuel recommendation	unleaded gasoline, pump octane number of 86 or higher
fuel tank capacity	7.66 US gal (29.0 ℓ)
engine oil capacity	after disassembly: 7.6 US qt (7.2 ℓ) after draining: 5.8 US qt (5.5 ℓ) after draining & engine oil filter change: 6.08 US qt (5.75 ℓ) after draining, engine & DCT oil filters change: 6.1 US qt (5.8 ℓ)
sub-transmission oil capacity	after disassembly: 1.5 US qt (1.4 ℓ) after draining: 1.35 US qt (1.28 ℓ)
engine/sub-transmission oil recommendation	API Service Classification SJ or higher except oils labeled as energy conserving or resource conserving on the circular API service label, SAE 10W-30, JASO T 903 standard MA, Pro Honda GN4 4-stroke oil or Honda 4-stroke oil, or an equivalent
cooling system recommendation	Pro Honda HP Coolant or an equivalent high quality ethylene glycol antifreeze containing corrosion protection inhibitors specifically recommended for use in aluminum engines
cooling system capacity	5.0 US qt (4.7 ℓ)

Specifications

Capacities	
passenger capacity	driver and three passengers
maximum weight capacity	1,164 lb (528 kg) driver, passengers, all cargo and accessories

Engine Specifications	
displacement	60.9 cu-in (999 cm ³)
bore & stroke	3.6220 x 2.9586 in (92 x 75.148 mm)
compression ratio	10.0 : 1
spark plug (standard)	SILMAR8A9S (NGK)
spark plug gap	0.03 – 0.04 in (0.8 – 0.9 mm)
valve clearance (cold)	intake: 0.006 ± 0.001 in (0.16 ± 0.03 mm) exhaust: 0.009 ± 0.001 in (0.24 ± 0.02 mm)
idle speed	1,200 ± 100 rpm (non-adjustable)

Specifications

Power Transmission		
primary reduction		1.883
final reduction	front	3.384
	rear	3.307
transmission ratio	1st	2.764
	2nd	2.047
	3rd	1.583
	4th	1.230
	5th	0.968
	6th	0.800
sub-transmission ratio	low	2.666
	high	1.880
	reverse	2.640
final drive		shaft

Chassis & Suspension		
caster	4°	
trail	SXS1000S4X 0.9 in (24 mm) SXS1000S4XD 1.0 in (25 mm)	
tire size	front:	28X9.00R15 NHS MAXXIS MU9H
	rear:	28X11.00R15 NHS MAXXIS MU9H
tire pressure (cold)	front:	18 psi (120 kPa)
	rear:	18 psi (120 kPa)

Electrical	
battery	GYZ20H-A 12 V-20 Ah (10HR)
generator	0.7 kW/5,000 rpm

Specifications

Lights	
headlight	SXS1000S4X 12 V 60/55 W x 2 SXS1000S4XD LED
brake light/ taillight	LED
neutral indicator	LED
reverse indicator	LED
high coolant temperature indicator	LED
PGM-FI malfunction indicator lamp (MIL)	LED
electric power steering (EPS) indicator	LED
seat belt indicator	LED
I - 4WD indicator	LED
low oil pressure indicator	LED
hill start assist (HSA) indicator	LED
clutch temperature indicator	LED
FLV warning indicator (SXS1000S4XD)	LED
FLV SPORT indicator (SXS1000S4XD)	LED

Specifications

Lights	
FLV NORMAL indicator (SXS1000S4XD)	LED
LAUNCH MODE indicator	LED
If there is a LED which is not turned on, see your dealer for this service.	

Fuses	
main	50 A
circuit	SXS1000S4X 30 A × 2, 15 A × 2, 10 A × 7 SXS1000S4XD 30 A × 2, 15 A × 1, 10 A × 8
EPS	40 A
BTCS	40 A
radiator fan	40 A

Specifications

Torque Specification	
passenger handhold adjusting nut	13 lbf·ft (17 N·m, 1.7 kgf·m)
passenger handhold lock nut	20 lbf·ft (26.5 N·m, 2.7 kgf·m)
engine oil filter cover bolts	9 lbf·ft (12 N·m, 1.2 kgf·m)
DCT oil filter cover bolts	9 lbf·ft (12 N·m, 1.2 kgf·m)
engine oil drain bolts (oil pan and oil tank)	21 lbf·ft (29 N·m, 3.0 kgf·m)
sub-transmission oil drain bolt	21 lbf·ft (29 N·m, 3.0 kgf·m)
front final gear oil fill cap	9 lbf·ft (12 N·m, 1.2 kgf·m)
front final gear oil drain plug	9 lbf·ft (12 N·m, 1.2 kgf·m)
rear final gear oil check bolt	9 lbf·ft (12 N·m, 1.2 kgf·m)
rear final gear oil fill cap	9 lbf·ft (12 N·m, 1.2 kgf·m)
rear final gear oil drain plug	9 lbf·ft (12 N·m, 1.2 kgf·m)
air cleaner mounting screws A and B	3.7 lbf·ft (5 N·m, 0.5 kgf·m)
wheel nuts	80 lbf·ft (108 N·m, 11 kgf·m)

Break-in Guidelines

Help assure your Honda SXS's future reliability and performance by paying extra attention to how you drive during the first operating day or 15 miles (25 km).

During this period, avoid full-throttle starts and rapid acceleration.

Emission Control Systems (USA only)

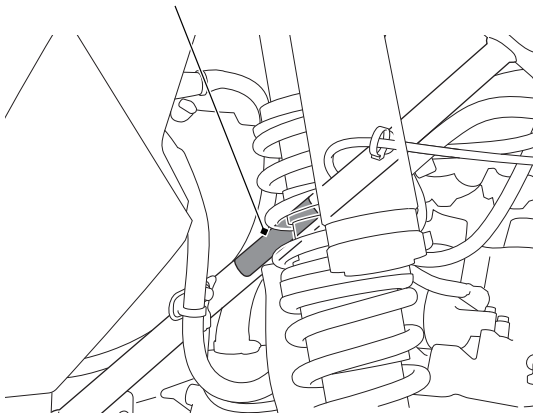
Exhaust Emission Requirements

The U.S. Environmental Protection Agency (EPA) and the California Air Resources Board (CARB) require that your SXS comply with applicable exhaust emissions standards during its useful life, when operated and maintained according to the instructions provided.

The Vehicle Emission Control Information Label is attached on the left side of the frame under the left rear fender.

UNDER LEFT REAR FENDER

vehicle emission control information label



Emission Control Systems (USA only)

Source of Exhaust Emissions

The combustion process produces carbon monoxide (CO), oxides of nitrogen (NOx) and hydrocarbons (HC). Control of hydrocarbons and oxides of nitrogen is very important because, under certain conditions, they react to form photochemical smog when subjected to sunlight. Carbon monoxide does not react in the same way, but it is toxic.

Honda Motor Co., Ltd. utilizes various systems to reduce carbon monoxide, oxides of nitrogen and hydrocarbons.

Exhaust Emission Control System

The exhaust emission control system includes an oxygen sensor, a three-way catalytic converter and a PGM-FI system.

No adjustment to this system should be made although periodic inspection of the components is recommended.

The exhaust emission control system is separate from the crankcase emission control system.

Evaporative Emission Control System (USA - 50 states [meets California])

An evaporative emissions control system uses a canister filled with charcoal to adsorb fuel vapor from the fuel tank while the engine is off. The vapor is drawn into the engine and burned while driving.

Models sold in and used in California:

An add-on or modified part must be compliant with applicable ARB evaporative emission control standards. A violation of this requirement is punishable by civil and/or criminal punishment.

Emission Control Systems (USA only)

Crankcase Emission Control System

The engine is equipped with a closed crankcase system to prevent discharging crankcase emissions into the atmosphere. Blow-by gas is returned to the combustion chamber through the air cleaner and throttle body.

Problems That May Affect Exhaust Emissions

If you are aware of any of the following symptoms, have the vehicle inspected and repaired by your dealer.

Symptoms:

1. Hard starting or stalling after starting
2. Rough idle
3. Misfiring or backfiring during acceleration
4. After-burning (backfiring)
5. Poor performance (driveability) and poor fuel economy

Federal regulations prohibit removing or disabling a device or element of design that may affect your engine's emission performance unless your Honda will be used exclusively in competition. If you modify your engine for use in sanctioned competition events, you must deface or destroy the emission control information label.

If you loan, sell, or give your competition modified Honda to someone else, according to applicable law, you must inform the new owner/driver in writing that the vehicle is to be used for competition only.

Emission Control Systems (USA only)

Noise Emission Control System

TAMPERING WITH THE NOISE CONTROL SYSTEM IS PROHIBITED: State laws prohibit, the following acts or the causing thereof: (1) The removal or rendering inoperative by any person, other than for purposes of maintenance, repair or replacement, of any device or element of design incorporated into any new vehicle for the purpose of noise control prior to its sale or delivery to the ultimate purchaser or while it is in use; or (2) the use of the vehicle after such device or element of design has been removed or rendered inoperative by any person.

AMONG THOSE ACTS PRESUMED TO CONSTITUTE TAMPERING ARE THE FOLLOWING ACTS:

- Removal of, or puncturing the muffler, baffles, header pipes or any other component which conducts exhaust gases.
- Removal of, or puncturing of any part of the intake system.
- Lack of proper maintenance.
- Removing or disabling any emissions compliance component, or replacing any compliance component with a non-compliant component.

Fuel Permeation Emission Control System

This vehicle complies with the Fuel Permeation Emission Control regulations of the U.S. Environmental Protection Agency (EPA) and the California Air Resources Board (CARB).

The fuel tank, fuel hoses, and fuel vapor charge hoses used on this vehicle incorporate fuel permeation control technologies.

Tampering with the fuel tank, fuel hoses, or fuel vapor charge hoses to reduce or defeat the effectiveness of the fuel permeation technologies is prohibited by federal regulations.

Oxygenated Fuels (USA only)

Some conventional gasolines are being blended with alcohol or an ether compound. These gasolines are collectively referred to as oxygenated fuels. To meet clean air standards, some areas of the United States use oxygenated fuels to help reduce emissions.

If you use an oxygenated fuel, be sure it is unleaded and meets the minimum octane rating requirement.

Before using an oxygenated fuel, try to confirm the fuel's contents. Some states/provinces require this information to be posted on the pump.

The following are percentages of oxygenates for non-road vehicles:

ETHANOL (ethyl or grain alcohol) up to 10% by volume.

You may use gasoline containing up to 10% ethanol by volume.

Gasoline containing ethanol may be marketed under the name "Gasohol".

Do not use gasoline containing more than 10% ethanol by volume.

The use of gasoline containing a higher percentage (e.g. E15, E20, E85) of ethanol has not been approved for use in this vehicle and may cause starting and/or performance problems and can also damage metal, rubber, and plastic parts of the fuel system and are not covered by the Distributor's Limited Warranty.

Oxygenated Fuels (USA only)

Do not use gasoline containing METHANOL (methyl alcohol).

If you notice any undesirable operating symptoms, try another service station or switch to another brand of gasoline.

Fuel system damage or performance problems resulting from the use of an oxygenated fuel containing more than the percentages of oxygenates mentioned above are not covered under warranty.

Oxygenated fuels can damage paint and plastic. Be careful not to spill fuel when filling the fuel tank. Wipe up any spills immediately.

NOTICE

Oxygenated fuels can damage paint and plastic. Damage caused by spilled fuel is not covered by warranty.

Petrol Containing Alcohol (Australia & New Zealand only)

If you decide to use a petrol containing alcohol (gasohol), be sure its octane rating is at least as high as that recommended.

Do not use gasohol that contains more than 10% ethanol.

Engine performance problems resulting from the use of fuels that contain alcohol are not covered under the warranty. Honda cannot endorse the use of fuels containing methanol since evidence of their suitability is not yet complete.

Before buying fuel from an unfamiliar station, try to find out if the fuel contains alcohol. If it does, confirm the type and percentage of alcohol used. If you notice any undesirable operating symptoms while using a petrol that contains alcohol, or one that you think contains alcohol, switch to a petrol that you know does not contain alcohol.

Catalytic Converter

This SXS is equipped with a three way catalytic converter. The catalytic converter contains precious metals that serve as catalysts, promoting chemical reactions to convert the exhaust gases without affecting the metals.

The catalytic converter acts on HC, CO, and NOx. A replacement unit must be an original Honda part or its equivalent.

The catalytic converter must operate at a high temperature for the chemical reactions to take place. It can set fire to any combustible materials that come near it. Park your SXS away from high grasses, dry leaves, or other flammables.

A defective catalytic converter contributes to air pollution, and can impair your engine's performance. Follow these guidelines to protect your SXS's catalytic converter.

- Always use unleaded gasoline. Even a small amount of leaded gasoline can contaminate the catalyst metals, making the catalytic converter ineffective.
- Keep the engine in good running condition. A poorly running engine can cause the catalytic converter to overheat causing damage to the converter or the SXS.
- If your engine is misfiring, backfiring, stalling, or otherwise not running properly, stop driving and turn off the engine. Have your SXS serviced as soon as possible.

This page intentionally left blank.

Consumer Information (USA only)

This section contains information on your warranty and how to get an official Honda service manual.

Authorized Manuals (USA only)	276
Warranty Coverage (USA only)	277
Warranty Service (USA only)	278
Contacting Honda (USA only)	279
Your Honda Dealer (USA only)	280

Authorized Manuals (USA only)

The Service Manual used by your authorized dealer is available from your Honda dealer or Helm, Inc.

Also available but not necessary to service your model is the Honda Common Service Manual which explains theory of operation and basic service information for various systems on Honda motorcycles, scooters, ATVs, SXSs and PWCs.

The Winter Storage Guide in conjunction with the Owner's Manual and Service Manual can help you prepare your Honda motorcycle, scooter, ATV, and SXS for winter storage.

These Honda manuals are written for the professional technician, but most mechanically capable owners should find them easy to use if they have the proper tools and observe proper safety standards. Special Honda tools are necessary for some procedures.

Description
2022 SXS1000S4X TALON X Service Manual
Common Service Manual (61CSM00)
Winter Storage Guide (S9507)
2022 SXS1000S4X/S4XD TALON X Owner's Manual

Order online: www.helminc.com

Order Toll Free: 1-888-CYCLE93 (1-888-292-5393)

(NOTE: For Credit Card Orders Only)

Monday - Friday 8:00 AM - 6:00 PM EST

Warranty Coverage (USA only)

Your new Honda is covered by these warranties:

- Honda SXS Limited Warranty
- Emission Control System Warranty

There are responsibilities, restrictions, and exclusions which apply to these warranties. Please read the Warranties Booklet given to you by your Honda dealer at the time of purchase. Be sure to keep your Honda owner's card with your Warranties Booklet.

It is important to realize that your warranty applies to defects in material or workmanship of your Honda. Your warranty coverage does not apply to normal wear or deterioration associated with using the Honda SXS.

Your warranty coverage will not be voided if you choose to perform your own maintenance. However, you should have the proper tools and service information and be mechanically qualified. Failures that occur due directly to improper maintenance are not covered.

Almost all of your warranty coverage can be extended through the HondaCare® Protection Plan. For more information, see your dealer.

Warranty Service (USA only)

Please remember that recommended maintenance interval servicing is not included in your warranty coverage. Additionally, your warranty does not apply to the normal wear of items (such as brakes, tires, etc.).

If you believe you have a problem with your Honda SXS, call the service department of your dealer. Make an appointment for an inspection and diagnosis. Remember, as the owner of the Honda SXS, you will be asked to authorize that inspection. Your dealer will give you the results of the inspection. If the problem is covered under warranty, your dealer will perform the warranty repairs for you.

If you have questions about warranty coverage or the nature of the repair, it is best to talk to the Service Manager of your dealer.

Sometimes, in spite of the best intentions of all concerned, a misunderstanding may occur. If you aren't satisfied with your dealer's handling of the situation, we suggest you discuss your problem with the appropriate member of the dealership's management team. If the problem has already been reviewed with the Service Manager, Parts Manager, Sales Manager, etc., contact the Owner of the dealership or their designated representative.

Contacting Honda (USA only)

Your owner's manual was written to cover most of the questions you might ask about your Honda. Any questions not answered in the owner's manual can be answered by your dealer. If your dealer doesn't have the answer right away, they will get it for you.

If you have a difference of opinion with your dealer, please remember that each dealership is independently owned and operated. That's why it's important to work to resolve any differences at the dealership level.

If you wish to contact Honda directly to comment on your experiences with your Honda or with your dealer, please send your comments using one of the following methods:

USA:



POST MAIL

Powersports Customer Relations, American Honda Motor Co., Inc.,
P.O. Box 2200, Torrance, CA 90509-2200, mailstop: 100-4W-5F



PHONE

Telephone: (866) 784-1870



ONLINE CUSTOMER SERVICE

Website: <https://powersports.honda.com/contact-us>

Please include the following information in your letter:

- name, address, and telephone number
- product model, year, and VIN
- date of purchase
- dealer name and address

We will likely ask your dealer to respond, or possibly acknowledge your comments directly.

Your Honda Dealer (USA only)

Once you purchase your new Honda, get familiar with the organization of your Honda dealer so you can utilize the full range of services available.

The service department is there to perform regular maintenance and unexpected repairs. It has the latest available service information from Honda. The service department will also handle warranty inspections and repairs.

The parts department offers Honda Genuine Parts, Pro Honda products, Honda Accessories. The same quality that went into your Honda can be found in Honda Genuine replacement parts. You'll also find comparable quality in the accessories and products available from the parts department.

The sales department offers the HondaCare® Protection Plan to extend almost all of your warranty coverage.

Your Honda dealer can inform you about competition and other driving events in your area. You'll also find that your dealer is a source of information about safety training available in you local area.

We're sure you'll be as pleased with the service your Honda dealer continues to provide after the sale as you are with the quality and dependability of your Honda.

Index

A

accessories	4
accessory power socket	69
age and size recommendation	2
air cleaner outer cover removal	133
air cleaner,	
filter	166
housing drain tubes	169
air pressure, tire	195
American Honda, contacting	279
apparel, protective	77
appearance care	209
AT indicator	36
AT/MT switch	43
authorized manuals	276

B

battery	204
brake traction control system (BTCS)	97
brakes,	
fluid	188
pad wear	191
pedal inspection	192
break-in guidelines	265

C

capacity, fuel	137
care, appearance	209
cargo,	
bed	70
limit	3, 84
catalytic converter	273
cleaning, appearance care	209

Index

climbing hills	108
clip removal	134
clutch temperature indicator	20
color label	257
compartment,	
owner's manual	130
storage	67
tool kit	129
component fails	253
consumer information	275
coolant temperature gauge	30
crash, if you	249
crossing a hill	110
customer service	279

D

dipstick	142, 152
doors	51
drive mode	97
drive mode indicator	37
drive mode select switch	41
driveshaft boots	203
driving,	
basic operations	87
clothing	2, 77
precautions	103
preparing for	216
safety	2
through water	111

Index

E

electric power steering (EPS) indicator	19
electronic brakeforce distribution (EBD)	72
emission control systems	266
engine,	
number	256
oil	139
pinging	136
starting	88
stopping	88
sub-transmission	152
won't start	228
environment	223

F

final gear oil	156, 158
flag pole bracket	71
flat tire	235
FLV NORMAL indicator	21
FLV SPORT indicator	21
FLV warning indicator	21
FOX Live Valve (FLV) switch	47
FOX Live Valve (FLV) system	183
fuel,	
fill cap	137
oxygenated	270
recommendation	136
tank capacity	137
fuses	241

Index

G

gap, spark plug	177, 260
gasohol	270
gasoline	136
gear position indicator	35

H

headlight switch	39
high coolant temperature indicator	19
hill start assist (HSA)	45
hill start assist (HSA) indicator	20
hill,	
approaching a hill	108
crossing a hill	110
driving down a hill	109
driving up a hill	109
stopping on a hill	109
hour meter	32

I

I - 4WD indicator	20
identification, vehicle	256
ignition switch	38

indicators,	
AT indicator	36
clutch temperature indicator	20, 240
electric power steering (EPS) indicator	19
FLV NORMAL indicator	21
FLV SPORT indicator	21
FLV warning indicator	21
gear position indicator	35
high coolant temperature indicator	19, 238
hill start assist (HSA) indicator	20
I - 4WD indicator	20
LAUNCH MODE indicator	21
LOW indicator	36
low oil pressure indicator	20
MT indicator	36
neutral indicator	19
PGM-FI malfunction indicator lamp (MIL)	19
reverse indicator	19
seat belt indicator	19
SPORT indicator	36
inspection, pre-drive	80

K

key,	
lost	250
number	250
kit, tool	129

Index

L

labels, safety	6
Launch Mode	98
LAUNCH MODE indicator	21
LAUNCH MODE switch	46
limit, cargo	3, 84
loading guidelines	85
LOW indicator	36
low oil pressure indicator	20
lubrication,	
engine oil	140
final gear oil	156, 158
points	172

M

maintenance,	
importance	115
maintenance minder indicator	33, 119
precautions	117
record	123
safety	116
schedule	118
manual, service	276
maximum weight limit	3, 84
modifications	5
MT indicator	36
multi-function display	24

N

neutral indicator	19
noise emission control systems	269
numbers, serial	256

Index

O

obstacles, avoiding	110
odometer	29
odometer display	28
oil,	
engine	140
final gear	156, 158
owner's manual storage	130
oxygenated fuels	270

P

parking	102
passenger,	
handhold	64
no carrying in cargo bed	3
pedal, accelerator	174
PGM-FI malfunction indicator lamp (MIL)	19
pinging, engine	136
plug, spark	176
pre-drive inspection	80
problems, unexpected	226
protective apparel	77

R

removal, seat	132
reverse indicator	19

Index

S

safety,	
driving precautions	103
important precautions	117
labels	6
schedule, maintenance	118
seat belt indicator	19
seat,	
belts	59
position adjustment	57
removal	132
serial numbers	256
service,	
customer	279
manuals	276
warranty	278
shift paddle	48
shifting	40
side nets	53
spark arrester	179
spark knock	136
spark plugs	176
specifications	258
speedometer	25
speedometer display	25
SPORT indicator	36
SPORT switch	44
starting,	
engine	88
troubleshooting	228
steering wheel adjustment lever	49
stopping engine	88

Index

storage,	
owner's manual	130
SXS	219
sub-transmission	152
suspension,	
adjustment	182
damping, front	185
damping, rear	186
inspection	187
switch,	
AT/MT	43
drive mode select	41
FOX Live Valve (FLV)	47
headlight	39
hill start assist (HSA)	45
ignition	38
LAUNCH MODE	46
SPORT	44

T

tires,	
air pressure	195
flat	235
repairing	199
replacing	200
tread conditions	197, 198
tool kit	129
transporting your Honda	218
tripmeter	29
trouble, unexpected	225
troubleshooting, starting	228
turning, on level ground	107

Index

V

vehicle identification no. (VIN) 256

W

warning labels 6

warranty,

 coverage 277

 extended 277

 service 278

washing your SXS 210

water, driving through 111

weight limit 84

wheel removal 236

Quick Reference

The following is a brief, but important collection of information you need to know about your Honda. You'll also find space to record important notes.

How To Avoid Costly Repairs

The engine of your Honda can be the most expensive component to repair. Proper maintenance, especially the use of the recommended fluids and filters, prevents premature wear and damage.

Frequent causes of costly repairs are:

- Engine oil — insufficient quantity, improper oil.
- Air cleaner — dirty, leaking because of improper installation (poor seal).

Record important information on the following page:

Quick Reference

Engine No.	
VIN	
Color Label	
Owner's Name	
Address	
City/State	
Phone	
Dealer's Name	
Address	
City/State	
Phone	
Service Mgr.	

Quick Reference





Scheduled Maintenance	Initial: 100 miles (150 km) Regular: every 600 miles (1,000 km)
Pre-drive Inspection	Each time before you drive (page 80): oil level, coolant, fuel level, brake fluid, tires, wheels, driveshafts, steering gearbox and boots, underbody, suspension, lights, controls, tie-rod ends, cargo, seat belts, driver seat position, side nets, exhaust system
Fuel/Capacity	Unleaded gasoline, pump octane number 86 or higher 7.66 US gal (29.0 l)
Engine Oil/ Capacity, Sub-Transmission Oil/Capacity	API Service Classification SG or higher except oils labeled as energy conserving or resource conserving on the circular API service label, SAE 10W-30, JASO T 903 standard MA, Pro Honda GN4 4-stroke oil or Honda 4-stroke oil, or an equivalent engine oil after draining: 5.8 US qt (5.5 l) after draining & engine oil filter change: 6.08 US qt (5.75 l) after draining, engine & DCT oil filters change: 6.1 US qt (5.8 l) sub-transmission oil after draining: 1.35 US qt (1.28 l)
Maximum Weight Capacity	1,164 lb (528 kg) driver, passengers, all cargo and accessories

Quick Reference

Tires	Front: 28X9.00R15 NHS MAXXIS MU9H Rear: 28X11.00R15 NHS MAXXIS MU9H
Tire Pressure (cold)	Front: 18 psi (120 kPa) Rear: 18 psi (120 kPa)
Spark Plugs	standard: SILMAR8A9S (NGK)
Coolant	Ethylene glycol antifreeze (silicate-free) for aluminum engines in 50/50 solution with Pro Honda HP Coolant or an equivalent distilled water
Fuses	main: 50 A circuit: SXS1000S4X 30 A x 2, 15 A x 2, 10 A x 7 SXS1000S4XD 30 A x 2, 15 A x 1, 10 A x 8 EPS: 40 A BTCS: 40 A radiator fan: 40 A

Quick Reference

These symbols are used in Driver Controls section:

SYMBOL	COMPONENT	SEE PAGE
II	START — ignition switch	38
I	ON — ignition switch	38
O	OFF — ignition switch	38
	Low beam — headlight switch	39
	High beam — headlight switch	39
P, R, N, H, L	Park — Reverse — Neutral — High — Low — shift select lever	40
	ON — Hill Start Assist (HSA) switch	45
	FLV switch (SXS1000S4XD only)	47
+	Up — right shift paddle	48
-	Down — left shift paddle	48

California Proposition 65 Warning

⚠ WARNING: Operating, servicing and maintaining a passenger vehicle or off-highway motor vehicle can expose you to chemicals including engine exhaust, carbon monoxide, phthalates, and lead, which are known to the State of California to cause cancer and birth defects or other reproductive harm. To minimize exposure, avoid breathing exhaust, do not idle the engine except as necessary, service your vehicle in a well-ventilated area and wear gloves or wash your hands frequently when servicing your vehicle. For more information go to www.P65Warnings.ca.gov/passenger-vehicle.



**MADE FROM 50% RECYCLED PAPER
MINIMUM 10% POST-CONSUMER CONTENT**

HONDA
The Power of Dreams

BEST ON EARTH™



31HL7620
00X31-HL7-6201

PRINTED IN USA