

OWNER'S MANUAL

# SERVE & STORE PREP CART

## TABLE OF CONTENTS

ASSEMBLY GUIDE ..... 02

### IMPORTANT:

This instruction manual contains important information necessary for the proper assembly and safe use of the appliance.

Read and follow all warnings and instructions before assembling and using the appliance.

Keep this manual for future reference.

Installer/Assembler: Leave these instructions with the consumer.

### SAFETY ALERT KEY

#### ⚠ DANGER

Indicates a hazardous situation that, if not avoided, will result in death or serious injury.

#### ⚠ WARNING

Indicates a hazardous situation that, if not avoided, could result in death or serious injury.

#### ⚠ CAUTION

Indicates a hazardous situation that, if not avoided, could result in minor or moderate injury.

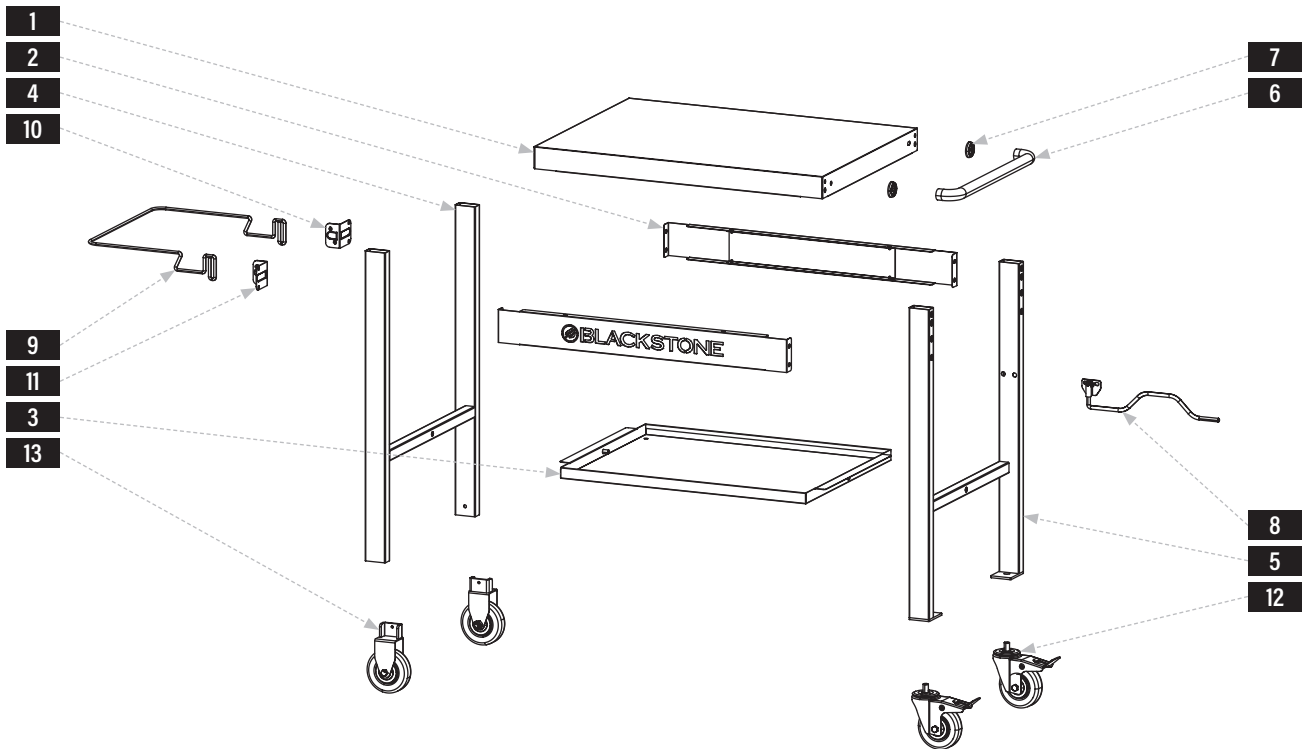
#### NOTICE

Indicates information considered important, but not hazard-related (e.g. messages related to property damage).

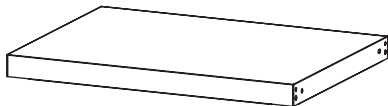


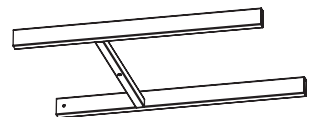
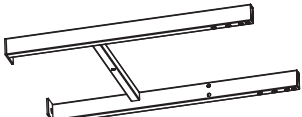
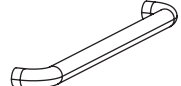



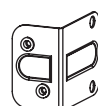





# ASSEMBLY GUIDE

## EXPLODED VIEW



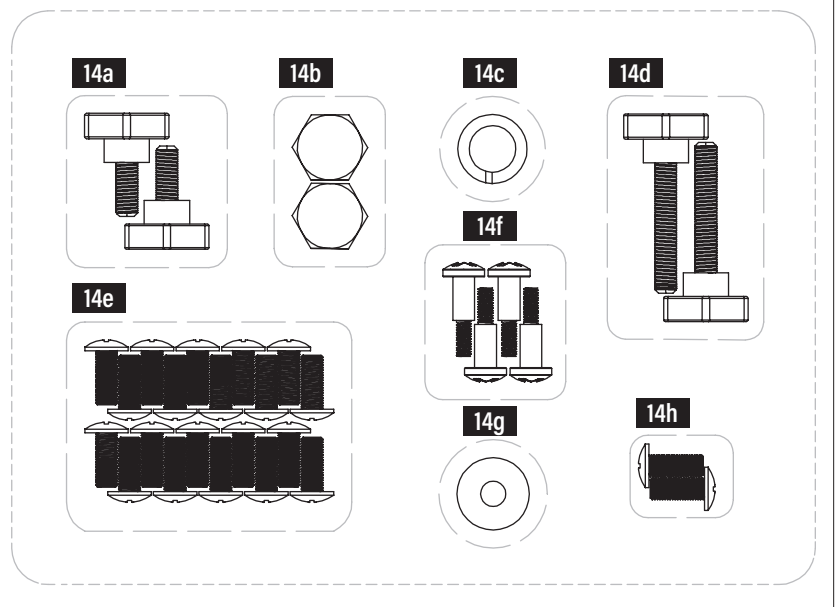
## PARTS LIST

<b>1</b> Table top (1 piece) 		<b>2</b> Logo panels (2 pieces) 		<b>3</b> Bottom tray (1 piece) 	
<b>4</b> Left leg assembly (1 piece) 		<b>5</b> Right leg assembly (1 piece) 		<b>6</b> Side handle (1 piece) 	<b>7</b> Side handle bezels (2 pieces) 
<b>8</b> Paper towel holder (1 piece) 	<b>9</b> Garbage bag holder (1 piece) 	<b>10</b> Left garbage bag holder bracket (1 piece) 	<b>11</b> Right garbage bag holder bracket (1 piece) 	<b>12</b> Caster wheels (2 pieces) 	<b>13</b> Fixed wheels (2 pieces) 





- 14** Hardware pack (1 piece)
- a. Small thumb screws (2 pieces)
  - b. M12 cap nuts (2 pieces)
  - c. M12 spring washers (2 pieces)
  - d. Large thumb screws (2 pieces)
  - e. M6x15 bolts (20 pieces)
  - f. M4x10 step bolts (4 pieces)
  - g. Washers (2 pieces)
  - h. Spares

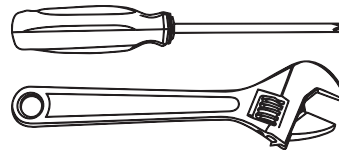


## ASSEMBLY INSTRUCTIONS

Find a large, clean area to assemble your appliance.  
Remove all packing material before assembling.

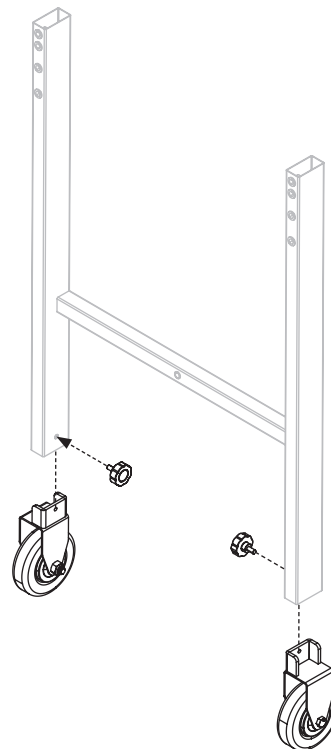
**CAUTION**

Sharp edges. Wear gloves while assembling.

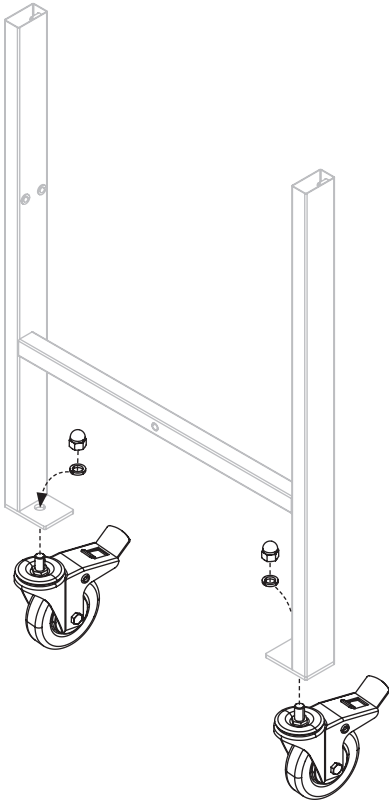


**TOOLS NEEDED:**  
Phillips head screwdriver &  
Adjustable wrench

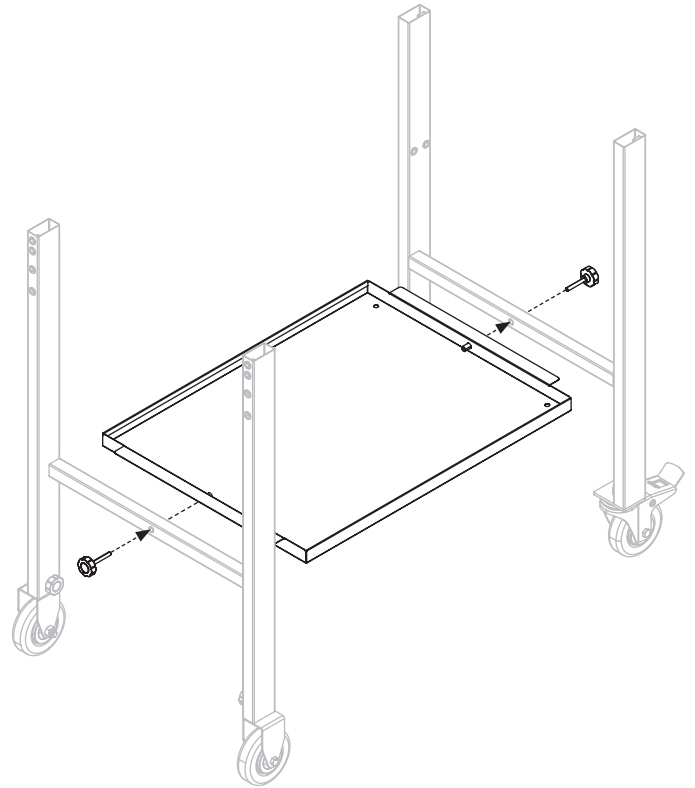
**STEP 01** Use two (2) small thumb screws to attach two (2) fixed wheels to the bottom of the left leg assembly.



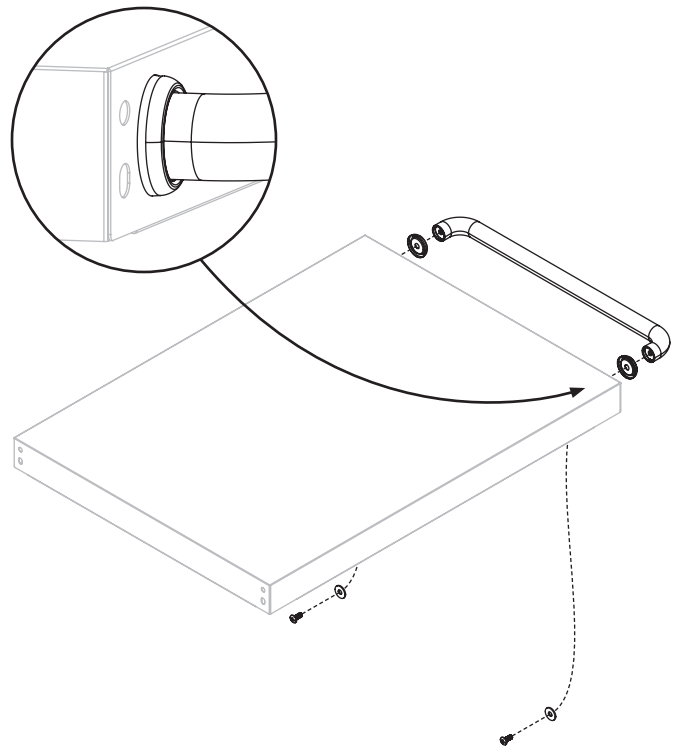
**STEP 02** Use two (2) M12 cap nuts and two (2) M12 spring washers to attach two (2) caster wheels to the bottom of the right leg assembly.



**STEP 03** Use two (2) large thumb screws to attach the bottom tray to the leg assembly crossbars.

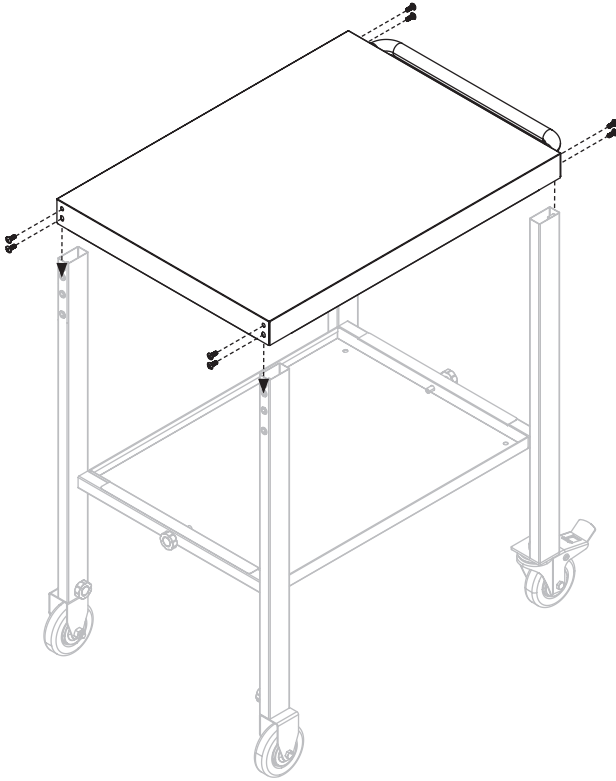


**STEP 04** Use two (2) M6x15 bolts and two (2) washers to attach two (2) side handle bezels and the side handle to the table top.





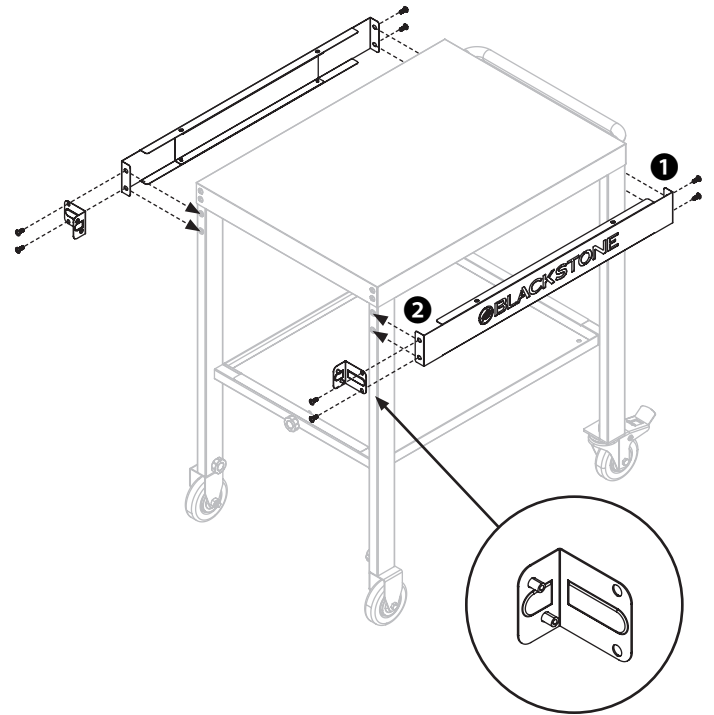
**STEP 05** Use eight (8) M6x15 bolts to attach the table top to the leg assemblies.



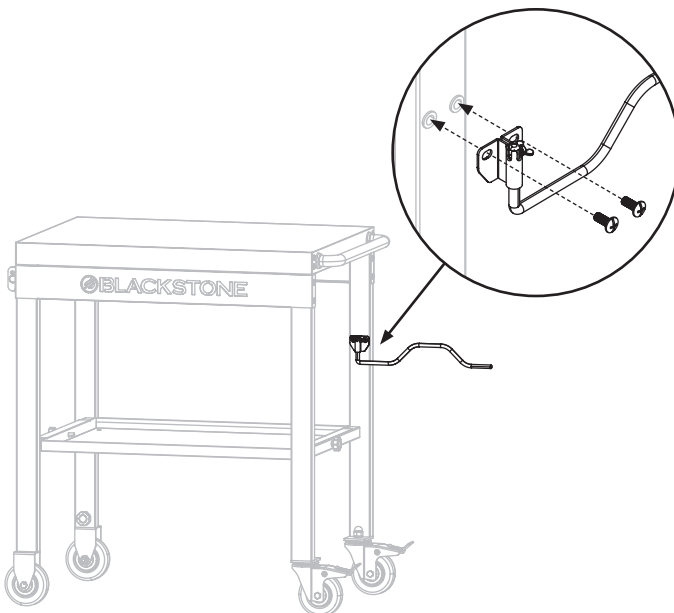
**STEP 06** ① Use two (2) M6x15 bolts to attach one (1) logo panel to the right leg assembly.

② Align the right garbage bag holder bracket with the logo panel. Use two (2) M6x15 bolts to secure to the left leg assembly.

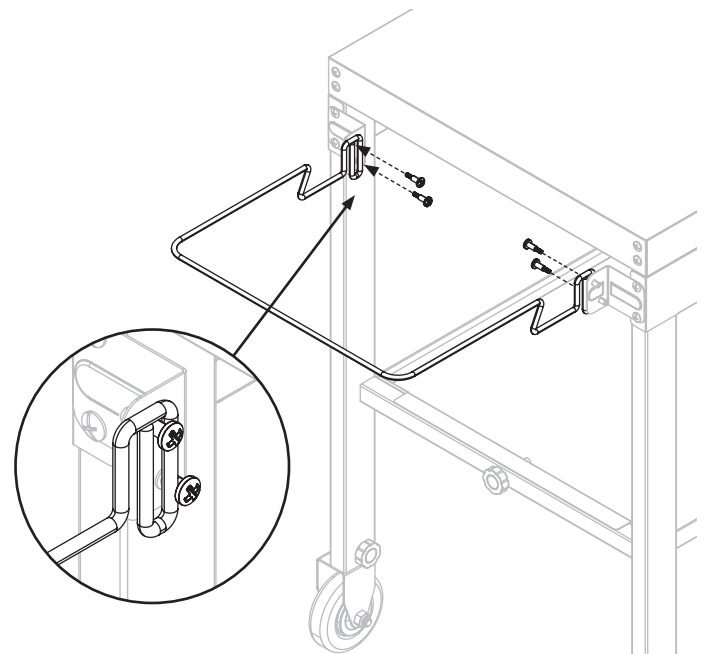
Repeat with the remaining logo panel and left garbage bag holder bracket.



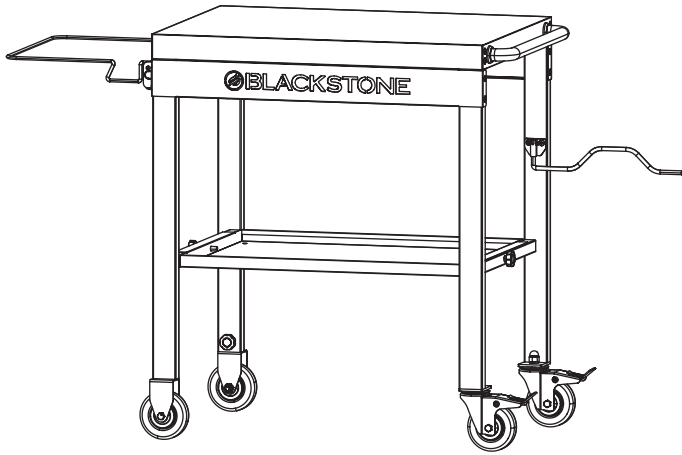
**STEP 07** Use two (2) M6x15 bolts to attach the paper towel holder to the right leg assembly.



**STEP 08** Use four (4) M4x10 step bolts to attach the garbage bag holder to the garbage bag holder brackets.



**STEP 09** Enjoy using your Serve & Store Prep Cart!



**NOTICE**

DO NOT sit or stand on the table.





This page intentionally left blank



