



Panasonic Corporation
<http://panasonic.net>

Before operating this unit, please read these instructions completely and save them for future use.

Ⓔ EN

Printed in China
000000000 X0000

Thank you for choosing a Panasonic shaver ES-SL41. With our WET/DRY technology, you can enjoy using your Panasonic shaver dry or in the shower or bath for gentle and easy shaving. Please read all instructions before use.

Important

This shaver has a built-in rechargeable battery. Do not throw into fire, apply heat, or charge, use, or leave in a high temperature environment.

► Before use

This WET/DRY shaver can be used for wet shaving using shaving lather or for dry shaving. You can use this watertight shaver in the shower and clean with water. The following symbol means suitable for use in a bath or shower.



Treat yourself to wet lather shaves for at least three weeks and notice the difference. Your Panasonic WET/DRY shaver requires a little time to get used to because your skin and beard need about a month to adjust to any new shaving method.

► Using the shaver

Caution

The outer foil is very thin and can be damaged if not used correctly. Check that the foil is not damaged before using the shaver. Do not use the shaver if the foil is damaged as you will cut your skin.

- Terminate usage when there is an abnormality or failure.
- Do not use excessive pressure to apply the outer foil to your lip or other part of your face. Do not apply the outer foil directly to blemishes or injured skin.

- Do not share your shaver with your family or other people. Doing so may result in infection or inflammation.
- This appliance is not intended for use by persons (including children) with reduced physical, sensory or mental capabilities, or lack of experience and knowledge, unless they have been given supervision or instruction concerning use of the appliance by a person responsible for their safety. Children should be supervised to ensure that they do not play with the appliance.

► Charging the shaver

- Never use the AC adaptor in the bathroom or shower room.
- Use the dedicated AC adaptor (RE7-74) only. Do not use the dedicated AC adaptor to charge other appliances.
- Put the plug into a household outlet where there is no moisture and handle it with dry hands.
- Hold the plug when disconnecting it from the household outlet. If you tug on the power cord, you may damage it.
- The supply cord cannot be replaced. If the cord is damaged, the AC adaptor should be scrapped.

► Cleaning the shaver

Warning

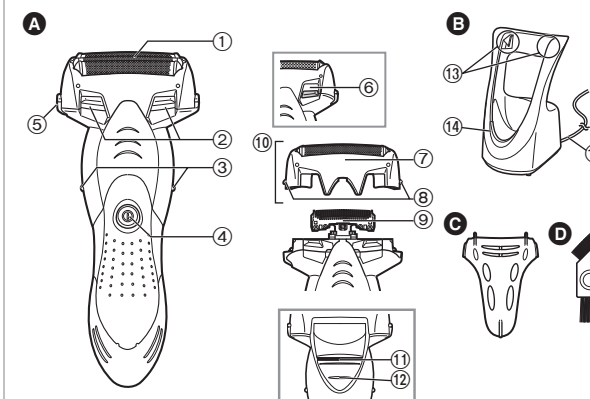
Disconnect the plug from the household outlet before cleaning to prevent electric shock.

- Keep both the inner blades inserted. If only one of the inner blades is inserted, the shaver may be damaged.
- If you clean the shaver with water, do not use salt water or hot water. Do not soak the shaver in water for a long period of time.
- Clean the housing only with a soft cloth slightly dampened with tap water or soapy tap water. Do not use thinner, benzene, alcohol or other chemicals.
- Do not wash the AC adaptor with water.

► Storing the shaver

- When storing the shaver, always put it in the carrying holder to avoid scratching the outer foil.
- Store the shaver in a place with low humidity after use.
- Do not store the shaver where it will be exposed to direct sunlight or other heat sources.
- Remove the shaver from the AC adaptor when storing it.
- Do not bend the power cord or wrap it around the AC adaptor.

Parts identification



- | | |
|-------------------------------------|------------------------------|
| A Main body | ⑩ Outer foil section |
| ① System outer foil | ⑪ Trimmer |
| ② Cleaning shutter | ⑫ Trimmer handle |
| ③ Side terminals | B AC adaptor (RE7-74) |
| ④ Power switch | ⑬ Charging terminal |
| ⑤ Foil frame release button | ⑭ Charge indicator lamp |
| ⑥ Water inlet | ⑮ Power cord |
| ⑦ Foil frame | C Carrying holder |
| ⑧ System outer foil release buttons | D Cleaning brush |
| ⑨ Inner blades | |

Using the carrying holder

The shaver can be kept vertically or horizontally. When transporting the shaver, you can use the carrying holder to protect the outer foil and prevent erroneous operation of the switch.

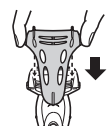
- When transporting the shaver, be sure to clean off any shavings before attaching the carrying holder.



Attaching the carrying holder

Attach the carrying holder as illustrated.

- Check that all four protrusions on the shaver are inserted securely.



Removing the carrying holder

Remove the carrying holder while pressing down on both sides.



Charge

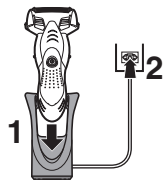
Charging the shaver

Perform the following steps to charge the shaver if it seems to lose the speed.

You can charge the shaver with the carrying holder attached.

1 Turn off the shaver and insert it in the AC adaptor until it clicks as illustrated.

- Wipe off any water droplets on the side terminals.
- If you charge the shaver with power switch turned on, it will start working when you remove from the AC adaptor.



2 Put the plug into a household outlet.

The charge indicator lamp glows red.

- Charging is completed after approx. 8 hours.
- When charging the shaver for the first time or when it has not been in use for more than 6 months, the charge indicator lamp may not glow for a few minutes, or the operating time may shorten. Please charge it for more than 20 hours in such cases.

3 Disconnect the plug after charging is completed.

- Charging the battery for more than 8 hours will not affect battery performance.
- Recommended ambient temperature for charging is 0 - 35 °C. The battery may not charge properly or at all under extreme low or high temperatures.
- The charge indicator lamp glows and stays on until the plug is disconnected from a household outlet.

4

- A full charge will supply enough power for approx. 7 shaves of 3 minutes each. (This will differ depending on usage.)

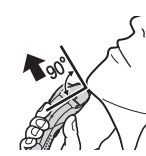
You cannot operate the shaver while charging.

Shave

Using the shaver



1 Press the power switch.



2 Hold the shaver as illustrated above and shave.

Start shaving by applying gentle pressure to your face. Stretch your skin with your free hand and move the shaver back and forth in the direction of your beard. You may gently increase the amount of pressure as your skin becomes accustomed to this shaver. Applying excessive pressure does not provide a closer shave.

You can also use a pen grip to hold the shaver.



Caution

- Before shaving, check that the cleaning shutter is closed.
- Do not place your fingers on the power switch while using the shaver. This may cause the shaver to turn off.
- Do not use shaving creams or face cleansers containing scrubbing compounds as these may cause the outer foil to clog.

Using the trimmer

Slide the trimmer handle up. Place at a right angle to your skin and move downwards to trim your sideburns.



- We recommend using the shaver in an ambient temperature range of 0 - 35 °C. If used outside this range, the appliance may stop operating.

Clean

Cleaning the shaver

- Remove the shaver from the AC adaptor.
- Apply some hand soap and some water to the outer foil.
 - Close the cleaning shutter.
- Turn the shaver on.



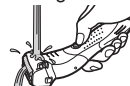
5

To remove light dirt

- Slide the cleaning shutter until it clicks.



- Clean the outer foil section with running water.



- Turn the shaver off.
 - Rinse with water and shake up and down several times to remove the water.

For heavy dirt

- Turn the shaver off after 10 - 20 seconds.
- Remove the outer foil section and turn the shaver on.
- Clean the shaver and the outer foil section with running water.



- Rinse with water and shake up and down several times to remove the water.

- Wipe off any drops of water with a dry cloth.
- Dry the outer foil section and the shaver completely in a shaded area.

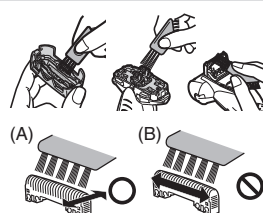
8



- Attach the outer foil section to the shaver.
 - Open the cleaning shutter.
 - The outer foil section will dry faster if removed from the main body.

Cleaning with the brush

Clean the system outer foil, the shaver body and the trimmer using the long brush.



Clean the inner blades using the short brush by moving it in direction (A).

- Do not move the short brush in direction (B) as it will damage the inner blades and affect their sharpness.
- Do not use the short brush to clean the outer foils.

Replacing the system outer foil and the inner blades

system outer foil	once every year
inner blades	once every two years

Removing the outer foil section

Press the foil frame release button and lift the outer foil section upwards.

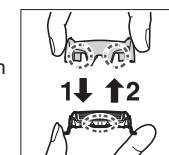
Attaching the outer foil section

After turning the water inlet surface to the front, securely attach the outer foil section to the shaver until it clicks.



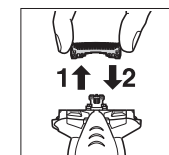
► Replacing the system outer foil

- Press the system outer foil release buttons and pull down the system outer foil.
- Align the water inlet surface and the system outer foil mark (Δ) and securely attach together.
 - The system outer foil cannot be reversely attached.
 - Always insert the system outer foil to the foil frame when attaching to the shaver.



► Replacing the inner blades

- Remove the inner blades one at a time.
 - Do not touch the edges (metal parts) of the inner blades to prevent injury to your hand.
- Insert the inner blades one at a time until they click.



► Replacement parts

Replacement parts are available at your dealer or Service Center.

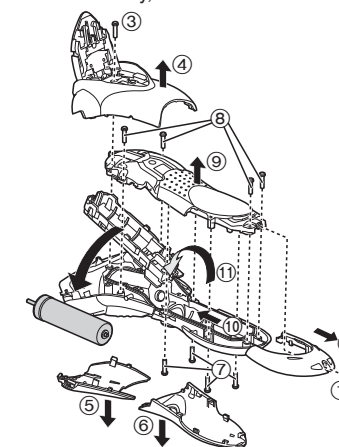
Replacement parts for ES-SL41	System outer foil and inner blades	WES9013
	System outer foil	WES9087
	Inner blades	WES9068

Removing the built-in rechargeable battery

Remove the built-in rechargeable battery before disposing of the shaver. Please make sure that the battery is disposed of at an officially designated location if there is one. Do not dismantle or replace the battery so that you can use the shaver again. This could cause fire or an electric shock. Please contact an authorised service center.

- Remove the shaver from the AC adaptor when removing the battery.

- Perform steps ① to ⑩ and lift the battery, and then remove it.



For environmental protection and recycling of materials

This shaver contains a Nickel-Metal Hydride battery. Please make sure that the battery is disposed of at an officially assigned location, if there is one in your country.

Specifications

Power source	See the name plate on the AC adaptor.	
Motor voltage	1.2 V ---	
Charging time	230 V \sim	Approx. 10 hours
	240 V \sim	Approx. 8 hours

This product is intended for household use only.

7

6