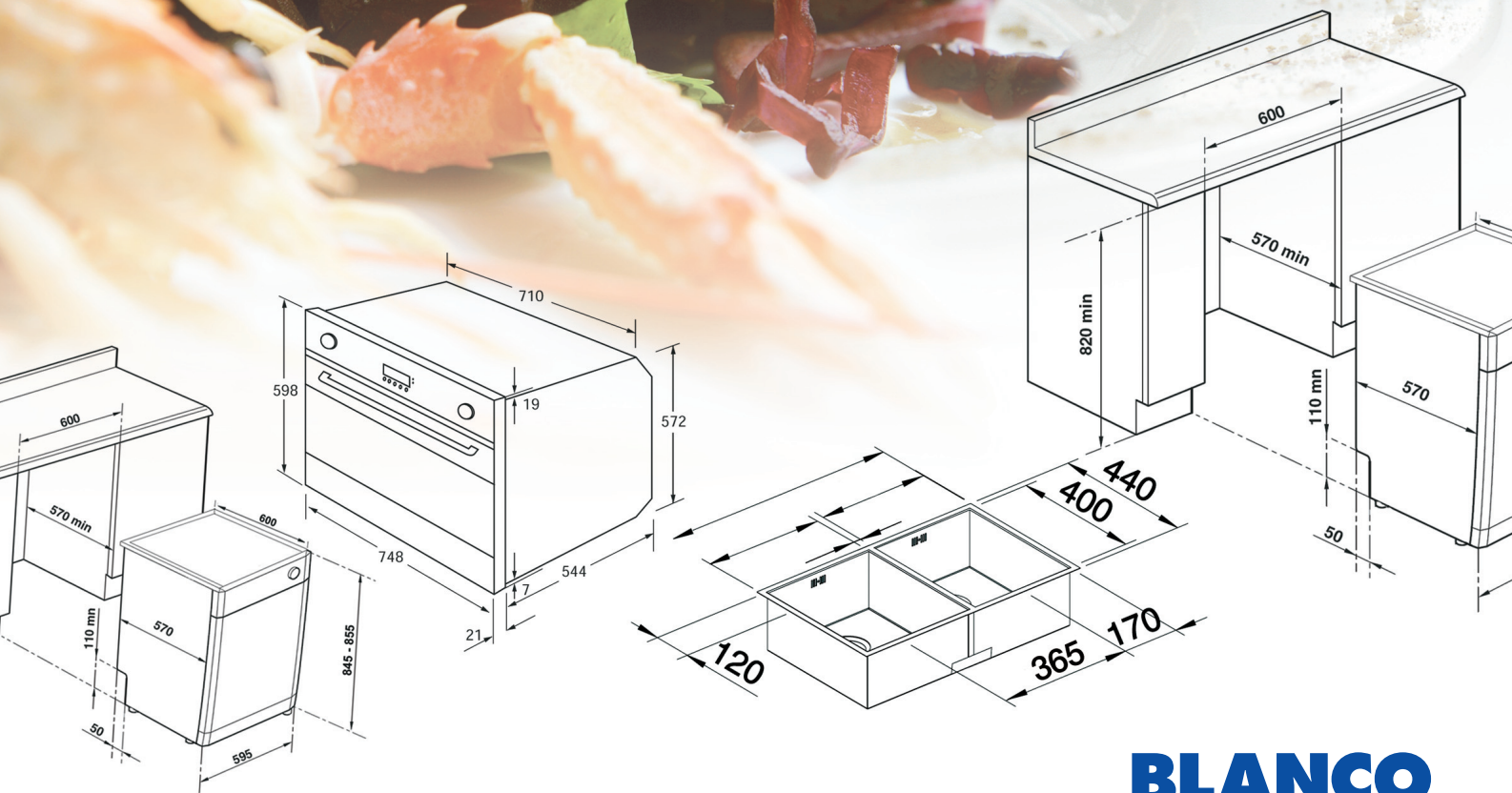


BLANCO

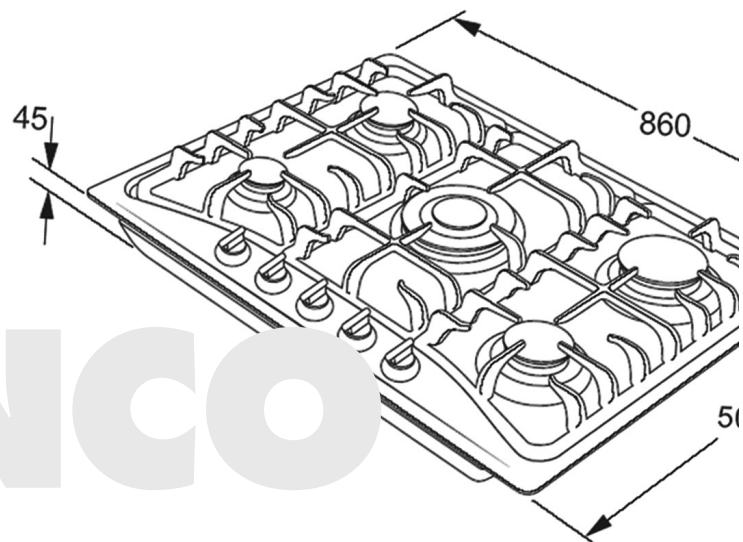
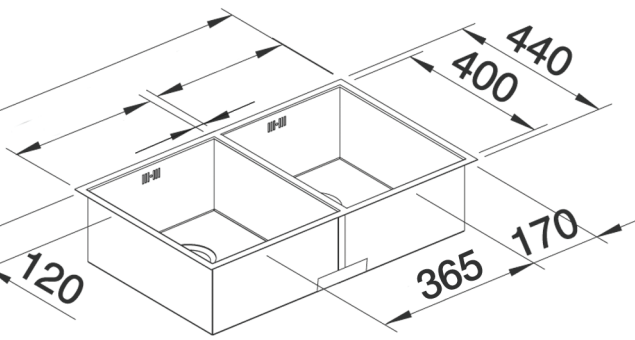
Specification Book
2008/2009



BLANCO



Because Life's Meant To Be Easy



BLANCO

Contents

Cooking	4 - 45
◆ Ovens	4 - 9
◆ Installation notes - Ovens	10 - 10
◆ Steam Oven	11 - 11
◆ Microwave Ovens and Trim Kit	12 - 13
◆ Coffee Machine	14 - 14
◆ Freestanding Cookers	15 - 18
◆ Cooktops	19 - 29
◆ Installation notes - Cooktops	30 - 31
◆ Rangehoods	32 - 44
◆ Installation notes - Rangehoods	45 - 45
Dishwashing	46 - 50
◆ Dishwashers	46 - 50
Laundry	51 - 55
◆ Washing Machines	51 - 54
◆ Dryers	55 - 55
Preparation	56 - 74
◆ Sinks	56 - 70
◆ Sinks Waste Connector	71 - 71
◆ Taps	72 - 73
◆ Soap Dispensers	74 - 74
Waste Management	75 - 77
◆ Bin Systems	75 - 75
◆ Waste Disposers	76 - 76
◆ Garbage Compactors	77 - 77

The Range: 60cm Single Ovens

BOSE6APX/BOSE69PX

60cm Multi-function oven

Colour:

Model BOSE6APX: Stainless Steel

Model BOSE69PX: Stainless Steel

Method of installation: Wall mounted or Underbench

Dimensions: 592H x 592W x 567Dmm

Flush mount

Cutout size: 594H x 594W x 567Dmm

BOSE6APX

Top element: 2100W

Fan element: 2000W

Lower element: 1200W

Power requirement: 3.385 kW

BOSE69PX

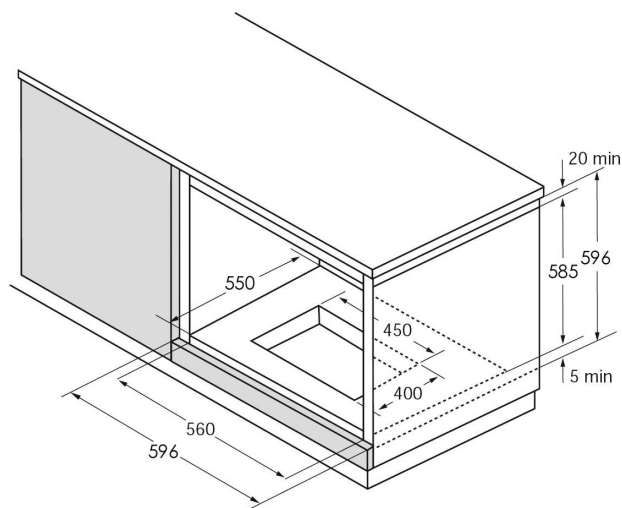
Top element: 2100W

Fan element: 2000W

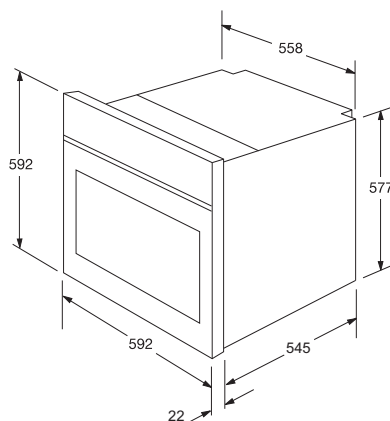
Lower element: 1200W

Power requirement: 3.385 kW

*A minimum 2mm gap on sides, top and bottom of oven is recommended in order to improve circulation around the oven.



**If the housing unit is open at the back, the gap must not be more than 70mm.*



The Range: 60cm Single Ovens

BOSE68X/BOSE67 60cm Multi-function oven

Colour:

Model BOSE68X: Stainless Steel
 Model BOSE67X: Stainless Steel
 Model BOSE67W: White

Method of installation: Wall mounted or Underbench

Dimensions: 592H x 592W x 567Dmm

Flush mount

Cutout size: 594H x 594W x 567Dmm

BOSE68X

Top element: 800/1800W

Fan element: 2000W

Lower element: 1200W

Power requirement: 3.375 kW

BOSE67X/W

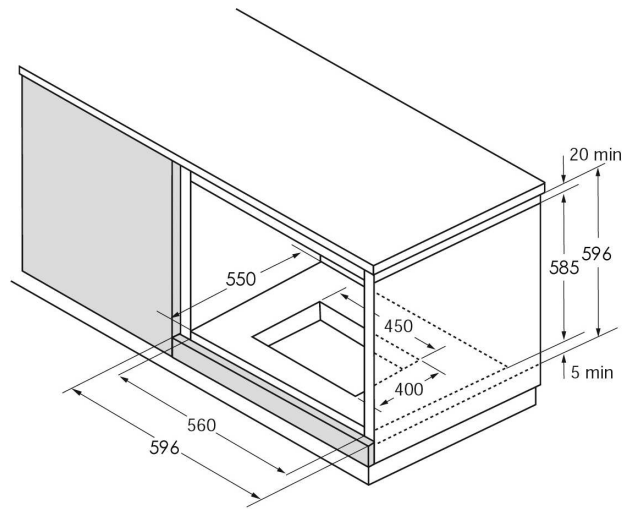
Top element: 800/1800W

Fan element: 2000W

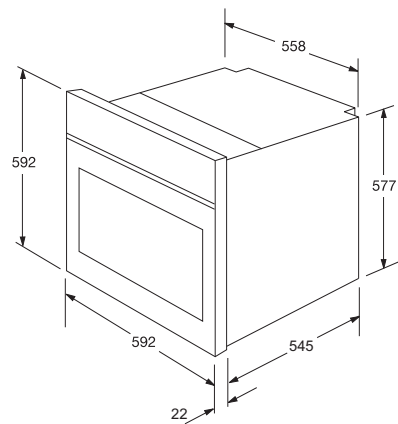
Lower element: 1200W

Power requirement: 2.635 kW

*A minimum 2mm gap on sides, top and bottom of oven is recommended in order to improve circulation around the oven.



**If the housing unit is open at the back, the gap must not be more than 70mm.*



The Range: 60cm Single Ovens

BOSE63, BOSE65
60cm Multi-function oven

Colour:

Model B0SE63W	White
Model B0SE63X	Stainless Steel
Model B0SE65W	White
Model B0SE65X	Stainless Steel
Model B0SE65B	Black

Method of installation: Wall mounted or Underbench

Dimensions: 594H x 598W x 522Dmm

Flush mount

Cutout size: 598H x 602W x 560Dmm

Power requirement: 2.16 kW 10Amp 3 pin plug supplied

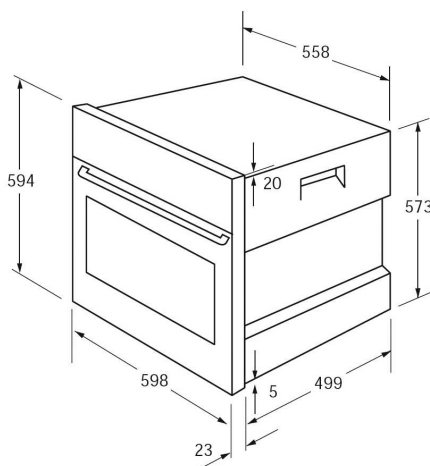
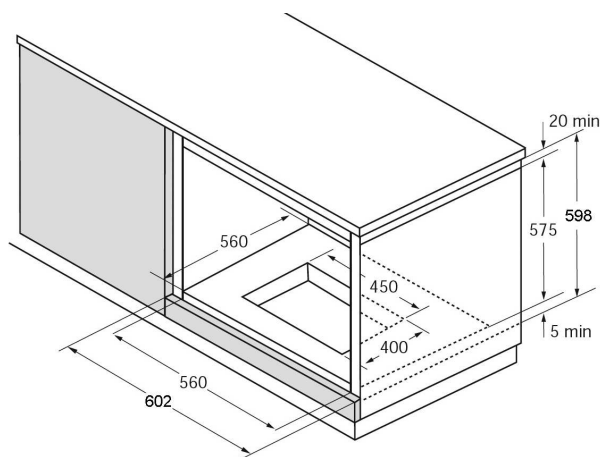
BOSE63 elements:

Grill element:	1800W
Upper element:	800W
Lower element:	1000W
Circular heating element:	2100W (fan)
Maximum power:	2175W

BOSE65 elements:

Grill element:	1800W
Upper element:	800W
Lower element:	1000W
Circular heating element:	2100W (fan)
Maximum power:	2160W

*A minimum 2mm gap on sides, top and bottom of oven is recommended in order to improve circulation around the oven.



The Range: 60cm Single Ovens

BSO60/BSO62
60cm Multi-function oven

Colour:

Model BSO60W White
 Model BSO60X Stainless Steel
 Model BSO62W White
 Model BSO62X Stainless Steel

Method of installation: Wall mounted or Underbench

Dimensions: 594H x 598W x 519Dmm

Flush mount

Cutout size: 598H x 602W x 560Dmm

Power requirement: 2.16 kW 10Amp 3 pin plug supplied

BOSE60 elements:

Grill element: 1800W
 Circular heating element: 2100W (fan)
 Maximum power: 2250W

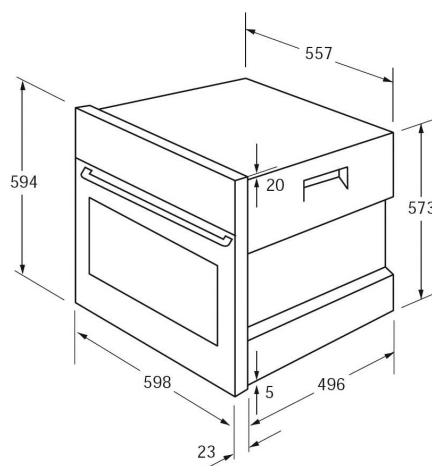
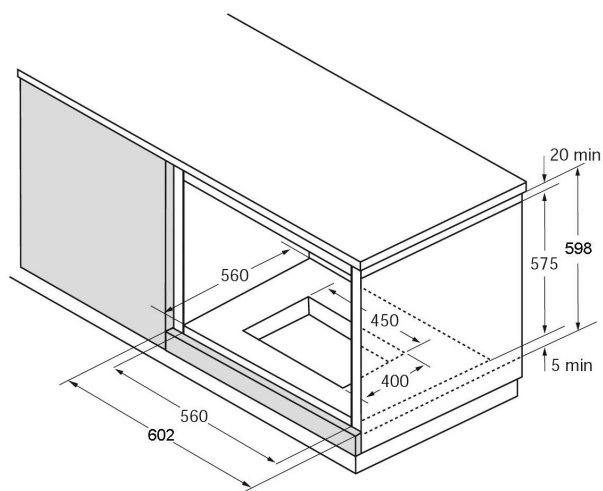
BOSE62 elements:

Grill element: 1800W
 Upper element: 800W
 Lower element: 1000W
 Maximum power: 1900W

Ventilation: Front door venting

N.B. BSO60 & BSO62 are from the Blanco Classic range.

*A minimum 2mm gap on sides, top and bottom of oven is recommended in order to improve circulation around the oven.



The Range: 75cm Single Oven

BOSE752X

75cm Multi-function oven

Colour:

Model BOSE752X: Stainless Steel

Method of installation:

Wall mounted or Underbench

Dimensions:

598H x 748W x 565Dmm

Flush mount

Cutout size:

602H x 752W x 560Dmm

Power requirement:

2.9 kW 15Amp power cord fitted

Oven element:

2600W (Fan)

Upper & Lower element:

2600W

Upper element:

1100W

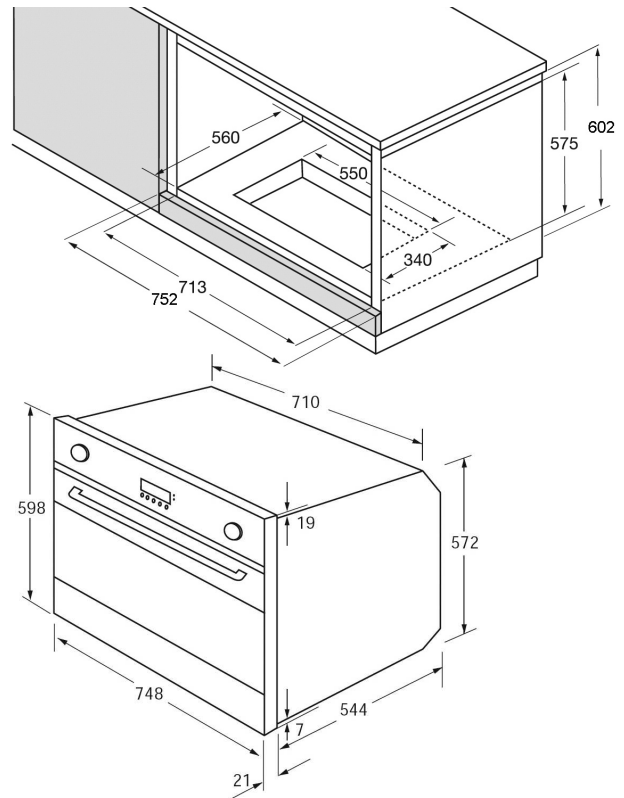
Lower element:

1500W

Grill element:

2400W

*A minimum 2mm gap on sides, top and bottom of oven is recommended in order to improve circulation around the oven.



The Range: 90cm Single Oven

BOSE902X

90cm Multi-function oven

Colour:

Model BOSE902X: Stainless Steel

Method of installation:

Wall mounted or Underbench

Dimensions:

475H x 895W x 561Dmm

Flush mount

Cutout size:

479H x 899W x 560Dmm

Power requirement:

2.9 kW 15Amp Power cord fitted

Oven element:

2600W (Fan)

Upper element:

1100W

Lower element:

1500W

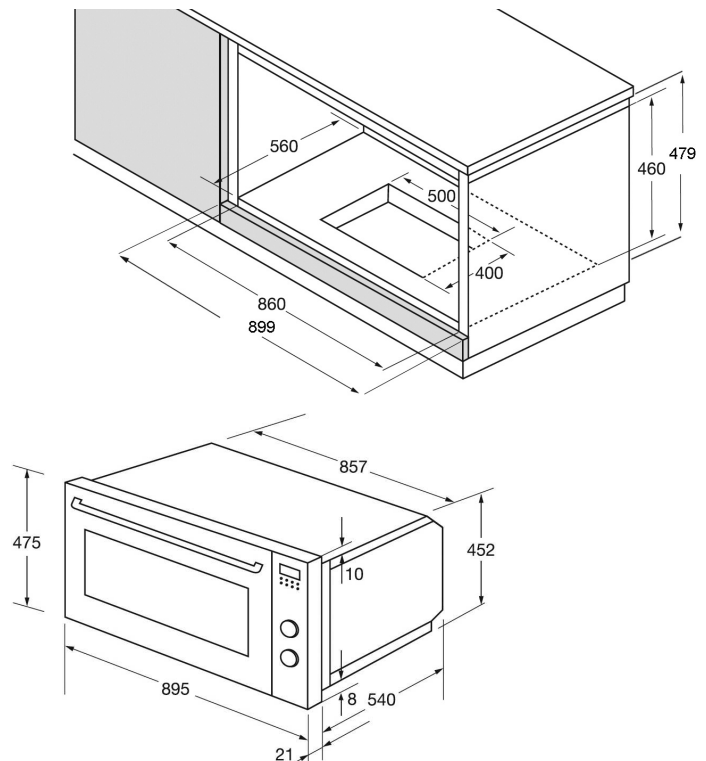
Grill element:

2400W

Ventilation:

Front vented

*A minimum 2mm gap on sides, top and bottom of oven is recommended in order to improve circulation around the oven.



The Range: 60cm Double Oven

BODE26X

60cm Multi-function double oven

Colour:

Model BODE26X: Stainless Steel

Method of installation:

Wall mounted

Dimensions:

888H x 595W x 567Dmm

Flush mount

Cutout size: 892H x 600W x 567Dmm

Power requirement:

5.8 kW

Elements

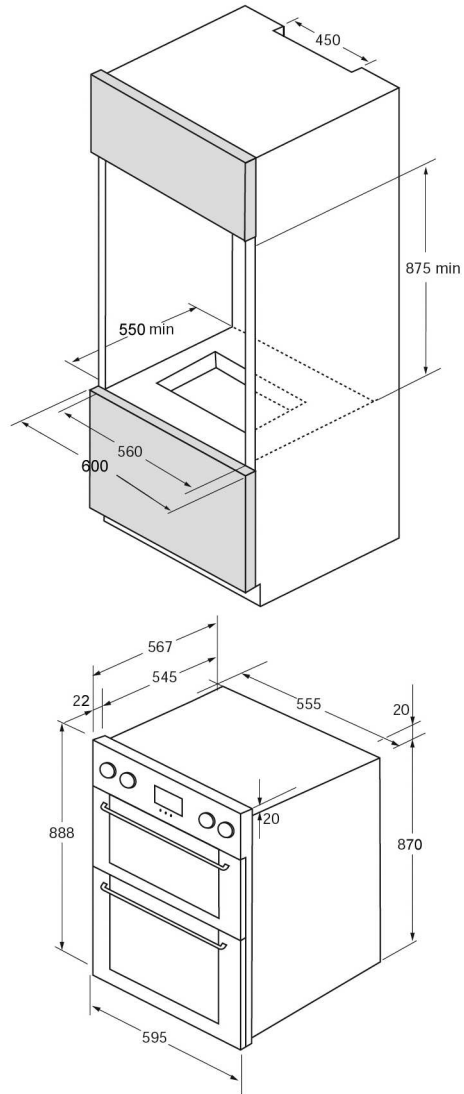
Main oven elements

Fan element: 2000W (Fan)
 Upper element: 800W
 Lower element: 1200W
 Grill element: 1800W

Secondary oven elements

Upper element: 1000W
 Lower element: 1200W
 Grill element: 1650W

*A minimum 2mm gap on sides, top and bottom of oven is recommended in order to improve circulation around the oven.



The Range: 45cm Single Oven

BOSE45X

45cm Single Electric oven

Colour:

Model BOSE45X: Stainless Steel

Method of installation:

Wall mounted or Underbench

Dimensions:

596H x 450W x 547Dmm

Flush mount

Cutout size: 600H x 454W x 560Dmm

Power requirement:

1.6 kW 10Amp 3 pin plug supplied

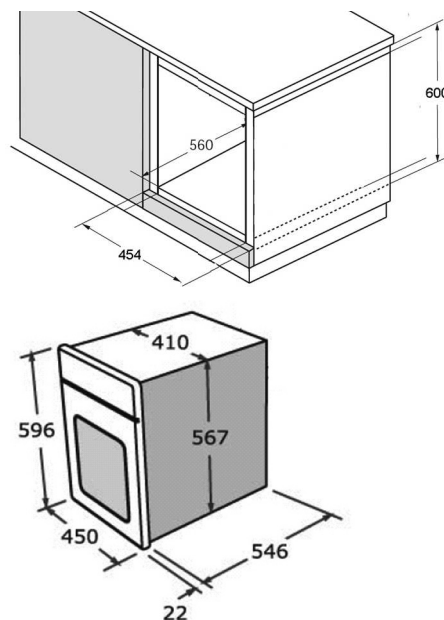
Upper & Lower element:

Upper element: 1400W
 Lower element: 800W

Grill element:

1400W

*A minimum 2mm gap on sides, top and bottom of oven is recommended in order to improve circulation around the oven.



Oven Installation

Oven Installation

When installing an oven in either Underbench or Column cabinetry, provision must be made for effective cooling air circulation. Adequate supply of air flow will reduce the risk of the oven overheating.

A minimum 2mm gap on sides, top and bottom of oven is recommended in order to improve circulation around the oven.

Underbench Installation

An opening cutout below the oven is required to ensure effective oven cooling. Fig. 1. Dimensions of this opening are clearly noted in each individual oven specification.

It is critical that the cabinet construction does not obstruct the air flow from the bottom to top via the oven cavity. Fig. 2. This allows the natural convection that occurs, to cool the oven and cabinet cavity.

The entrance opening in the bottom part of the cabinet must measure at least 200cm².

Column Installation

The rear opening from entrance to exit should measure at least 200cm² to ensure proper air flow resulting in effective oven and cabinetry cooling. Fig. 3.

Fig. 1.

Refer to individual oven specifications for dimensions of the cutout recommended, with the space underneath remaining void for effective heat disbursement.

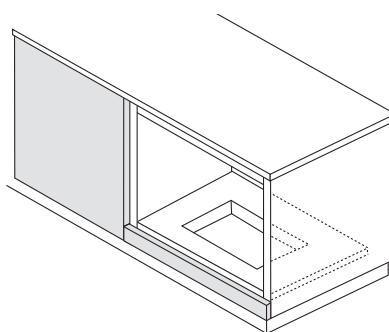


Fig. 2.

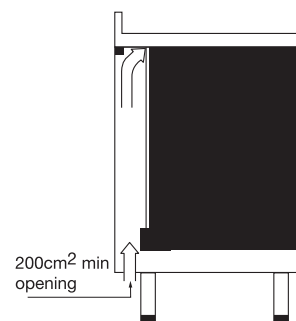
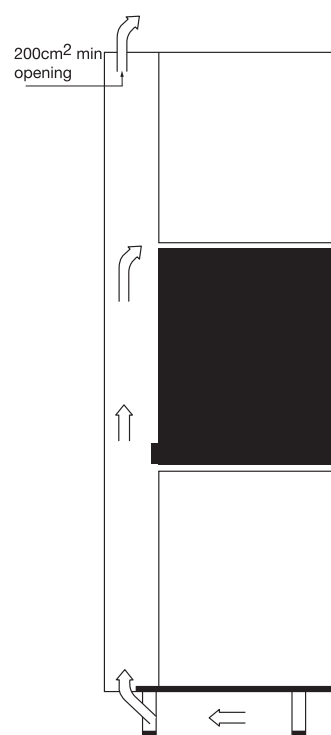


Fig. 3.



The Range: Steam Oven

BOSS38X

Steam oven

Colour:

Model BOSS38X: Stainless Steel

Method of installation: Wall mounted or Underbench

Dimensions: 390H x 595W x 470Dmm

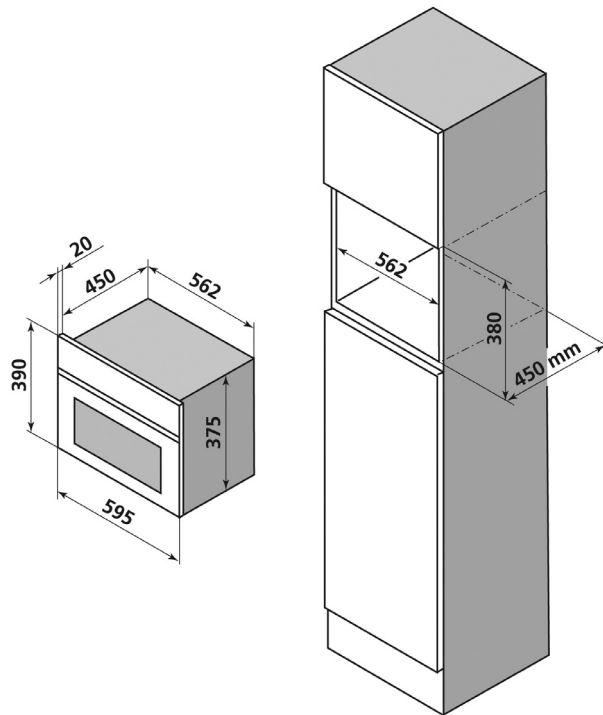
Proud mount

Cutout size: 380H x 562W x 450Dmm

Steam element: 1600W

Power requirement: 1770W

*Note: Cut-out information is for proud mount installation. For all types of installation, it is important to allow 2mm to cater for correct steam oven door opening clearance.

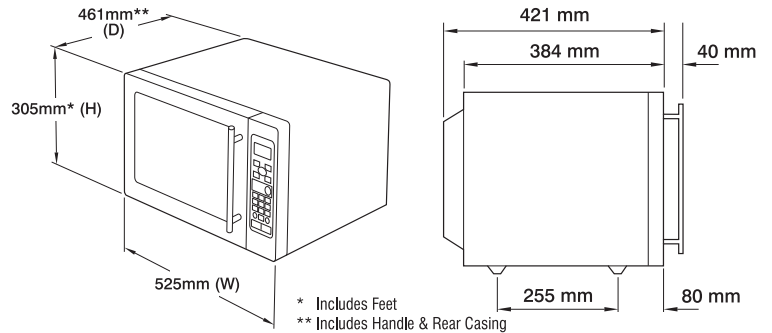


The Range: Microwave Ovens & Trim Kit

BMO300X

30 Litre Microwave Oven

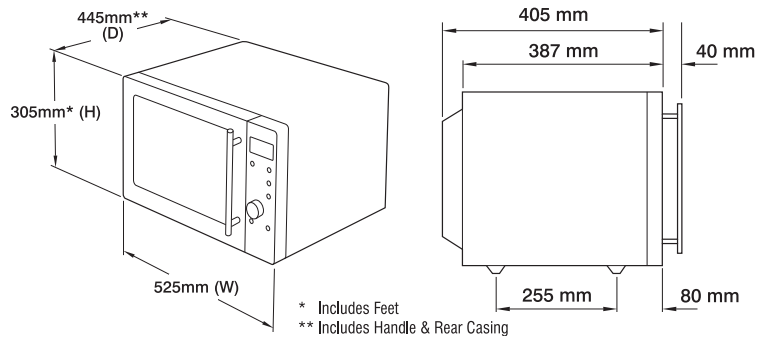
- Colour:**
Model BMO300X: Stainless Steel exterior and cavity
- Method of installation:** Freestanding or built in with trim kit
- External dimensions:** 305H x 525W x 461Dmm
- Oven cavity dimensions:** 219H x 350W x 384Dmm
- Turntable:** 314mm
- Clock:** 12 hour (digital)
- Timer:** 99 minutes, 99 seconds
- Power levels:** 9
- Auto cook:** 4 menu options
- Safety:** Child lock system
- Power consumption:** 240V - 50hz
- Rated microwave power output:** 1000W
- Operation frequency:** 2450MHz
- Net weight:** 17.9kg
- Connected 3 pin power cord:** 1.4m



BMO280X

28 Litre Microwave Oven with Grill Function

- Colour:**
Model BMO280X: Stainless Steel exterior and cavity
- Method of installation:** Freestanding or built in with trim kit
- External dimensions:** 305H x 525W x 445Dmm
- Oven cavity dimensions:** 219H x 350W x 355Dmm
- Turntable:** 314mm
- Clock:** 12 hour (digital)
- Timer:** 60 minutes
- Power levels:** 5
- Auto cook:** 9 menu options
- Safety:** Child lock system
- Power consumption:** 230-240V - 50hz
- Rated microwave power output:** 900W
- Operation frequency:** 2450MHz
- Net weight:** 19kg
- Connected 3 pin power cord:** 1.4m



The Range: Microwave Ovens & Trim Kit

BMOC300X

30 Litre Combination Microwave Oven

Colour:

Model BMOC300X: Stainless Steel exterior and cavity

Method of installation: Freestanding or built in with trim kit

External dimensions: 305H x 525W x 478Dmm

Oven cavity dimensions: 219H x 350W x 384Dmm

Turntable: 314mm

Clock: 12 hour (digital)

Timer: 99 minutes, 99 seconds

Power levels: 9

Auto cook: 7 menu options

Safety: Child lock system

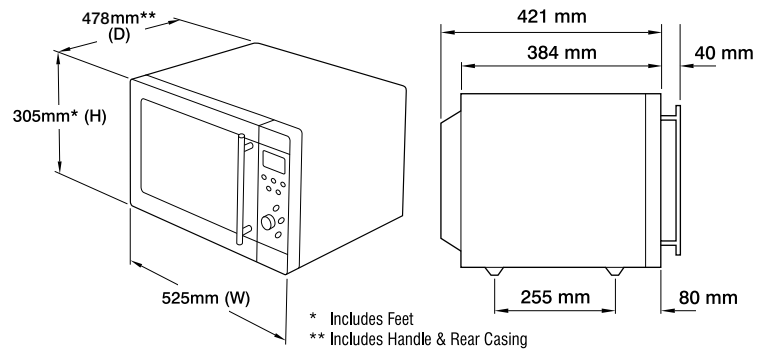
Power consumption: 240V - 50hz

Rated microwave power output:
900W Microwave
1400W Convection
1200W Grill

Operation frequency: 2450MHz

Net weight: 22kg

Connected 3 pin power cord: 1.4m



BMTKX

Flush Stainless Steel Trim Kit to suit all BLANCO

Microwave Ovens

60cm Cabinet

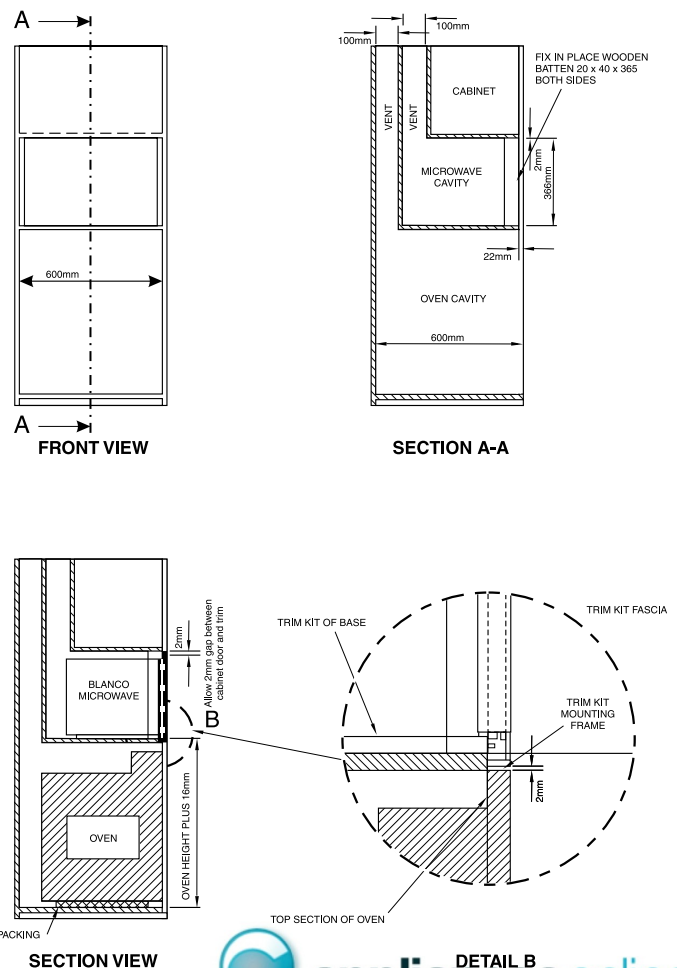
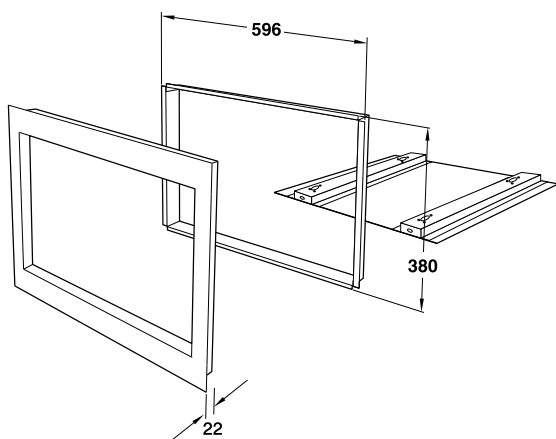
Colour:

Model BMTKX: Stainless Steel

Method of installation: Built in cabinetry

Fascia dimensions: 366H x 596W x 22Dmm

Frame dimensions: 380H x 596W x 22Dmm



SECTION VIEW



DETAIL B
appliancesonline.com.au

NB: If mounted under bench, these instructions must be followed for ventilation.

Australia's largest online appliance retailer

The Range: Espresso Coffee Machine

BCM6X

Semi-automatic Espresso Machine

Colour:

Model BCM6X: Stainless Steel

Method of installation: Built-in

Dimensions: 378H x 590W x 355Dmm

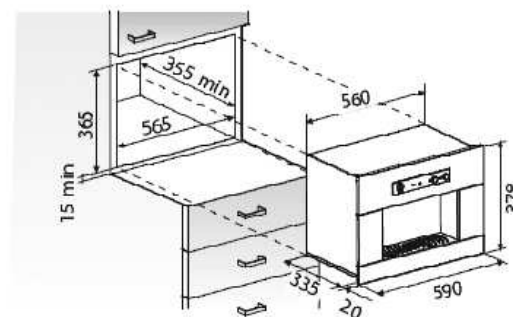
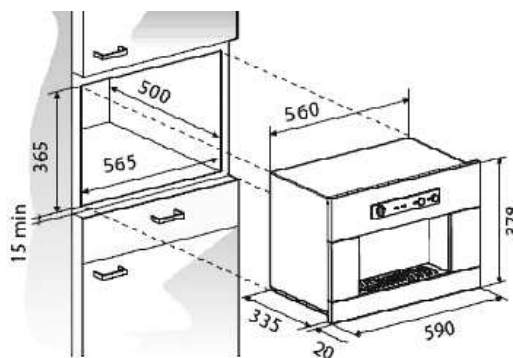
Proud mount

Cutout size: 378H x 560W x 335Dmm

Power requirement: 2.16kW (10 Amp, 3 pin plug and cable supplied)

Pump pressure: 14Bar

*Note: Cut-out information is for proud mount installation. For all types of installation, it is important to allow 15mm to cater for coffee machine door opening clearance.



The Range: Country Freestanding Cookers

BFS95FB/BFS95FCR/BFS95FG/BFS95FR

90cm cooktop and electric multi-function oven with triple glazed doors
5 x burners including centre fish burner

Colour:

Model BFS95FB: Black
Model BFS95FCR: Creme
Model BFS95FG: Green
Model BFS95FR: Burgundy

Method of installation: Freestanding

Dimensions: 900H x 900W x 612Dmm (Height includes non adjustable rubber feet)

Cupboard opening: 905mm

Bench height: 900mm

Power requirement: 2.7 kW

Suitable gases: Natural Gas / Propane

Power cord: 240V 15 Amp Plug

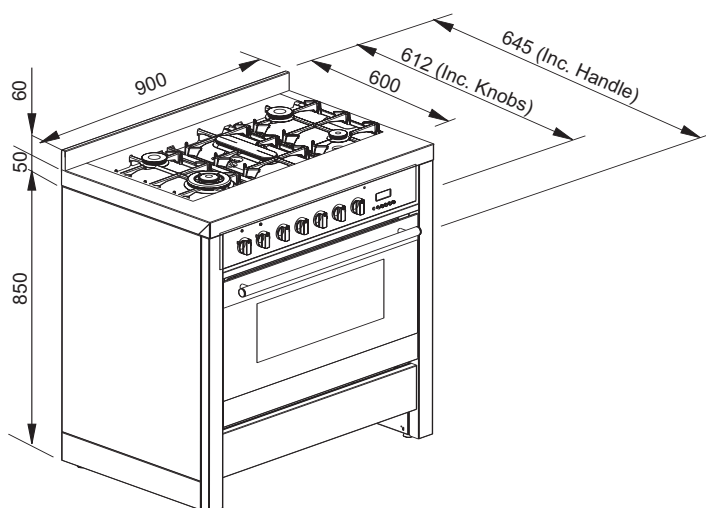
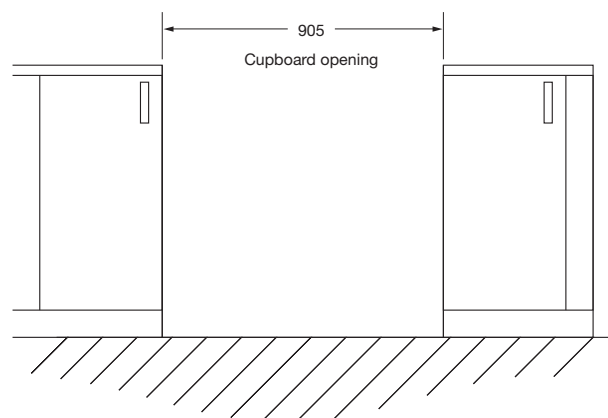
	NG	Propane
Centre (Fish):	11.0 Mj	10.8 Mj
Front Left (Wok):	15.0 Mj	12.9 Mj
Rear Right (Semi Rapid):	6.6 Mj	6.3 Mj
Rear Left (Semi Rapid):	6.6 Mj	6.3 Mj
Front Right (Aux):	3.8 Mj	3.8 Mj

Gas connection: 1/2" BSP Male

Gas connection position: Rear of cooker

Note: Suitable for rigid pipe or flexible hose installation.

Oven comes with a 15 Amp plug that plugs into a 15 Amp socket. This is then hard wired to a 20 Amp circuit board.



The Range: 120cm Freestanding Cooker

BFS120X

120cm cooktop and electric multi-function double oven with triple glazed doors
6 x burners including centre fish/bbq and wok burners

Colour:

Model BFS120X: Stainless Steel

Method of installation:

Freestanding

Dimensions:

900H x 1200W x 612Dmm

Cupboard opening:

1205mm

Bench height:

900mm

Power requirement:

4.35 kW

Suitable gases:

Natural Gas / Propane

	NG	Propane
Centre (Fish/BBQ):	11.0 Mj	10.8 Mj
Centre (Wok):	15.0 Mj	12.9 Mj
Rear Right (Semi Rapid):	6.6 Mj	6.3 Mj
Rear Left (Rapid):	11.0 Mj	10.8 Mj
Front Right (Aux):	3.8 Mj	3.8 Mj
Front Left (Semi Rapid):	6.6 Mj	6.3 Mj

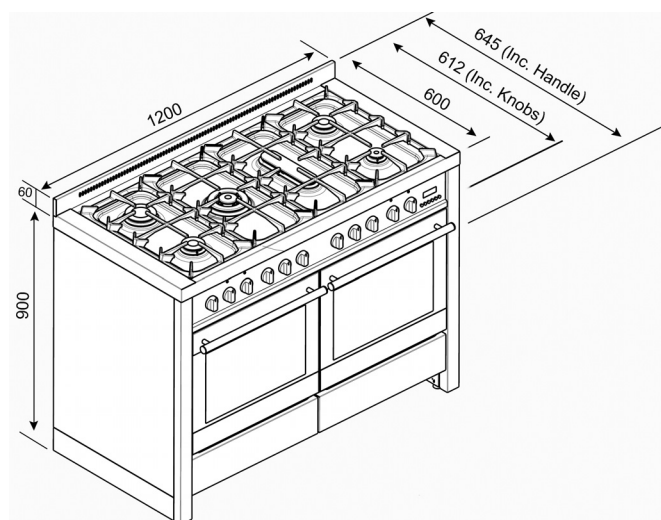
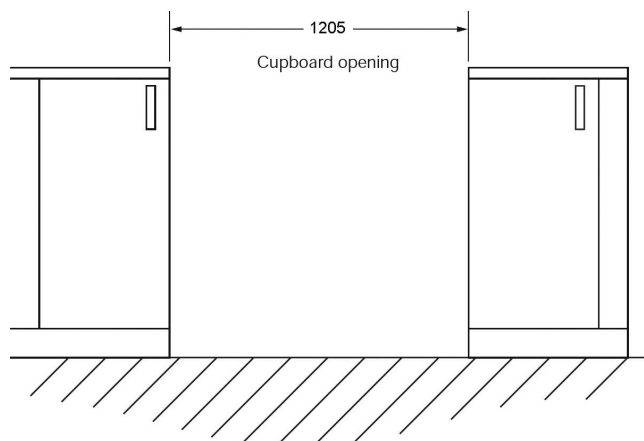
Gas connection:

1/2" BSP Male

Gas connection position:

Rear of cooker

Note: Suitable for rigid pipe or flexible hose installation.



The Range: 90cm Freestanding Cookers

BFS95F/BFS95W/BFS95C

90cm cooktop and electric multi-function oven with triple glazed doors
5 x burners

Colour:

Model BFS95F: 5 gas burners including centre fish/bbq & wok burner
Model BFS95W: 5 gas burners including centre wok burner
Model BFS95C: 5 zone ceran cooktop with 1 extended zone & 1 dual zone

Method of installation: Freestanding

Dimensions: 900H x 900W x 612Dmm (Height includes adjustable rubber feet)

Cupboard opening: 905mm

Bench height: 900mm

Power requirement: 2.7 kW (BFS95F/BFS95W)
11 kW (BFS95C)

Suitable gases: Natural Gas / Propane

Power cord: 240V 15 Amp Plug supplied (BFS95F/BFS95W)

BFS95F	NG	Propane
Centre (Fish/BBQ):	11.0 Mj	10.8 Mj
Front Left (Wok):	15.0 Mj	12.9 Mj
Rear Right (Semi Rapid):	6.6 Mj	6.3 Mj
Rear Left (Semi Rapid):	6.6 Mj	6.3 Mj
Front Right (Aux):	3.8 Mj	3.8 Mj

BFS95W	NG	Propane
Centre (Wok):	15.0 Mj	12.9 Mj
Front Left (Rapid):	11.0 Mj	10.8 Mj
Rear Right (Semi Rapid):	6.6 Mj	6.3 Mj
Rear Left (Semi Rapid):	6.6 Mj	6.3 Mj
Front Right (Aux):	3.8 Mj	3.8 Mj

Gas connection: 1/2" BSP Male
Gas connection position: Rear of cooker

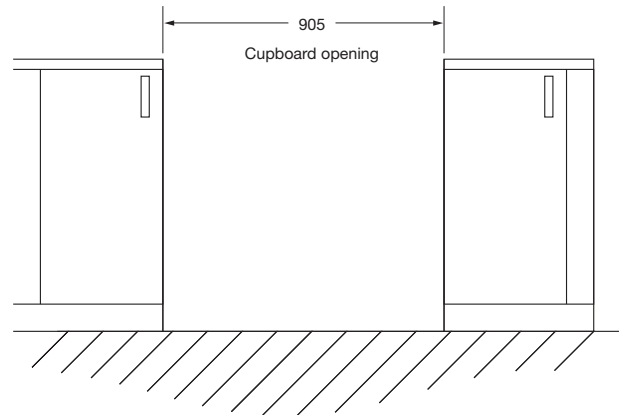
Note: Suitable for rigid pipe or flexible hose installation. Relevant to BFS95F and BFS95W only.

BFS95C	Element Wattage	Element Size
Centre (Expandable Zone):	1500 - 2400W	180-280mm
Front Left (Dual Zone):	750 - 2200W	220mm
Rear Right (Large):	1800W	180mm
Rear Left (Medium):	1200W	150mm
Front Right (Medium):	1200W	150mm

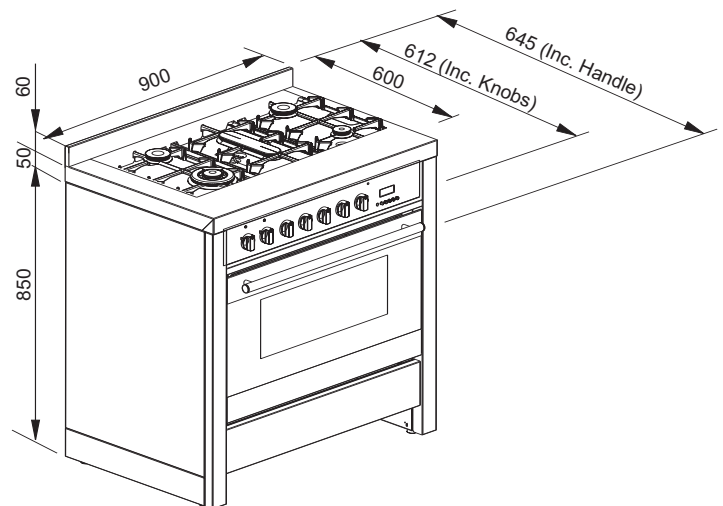
Oven elements (BFS95F/BFS95W/BFS95C)
Upper heating element: 1100W
Bottom heating element: 1500W
Grill heating element: 2400W
Circular heating element: 2600W
Cooling fan: 25W

Oven light: 1 x 25W globe
2 x 25W globes (BFS95C)

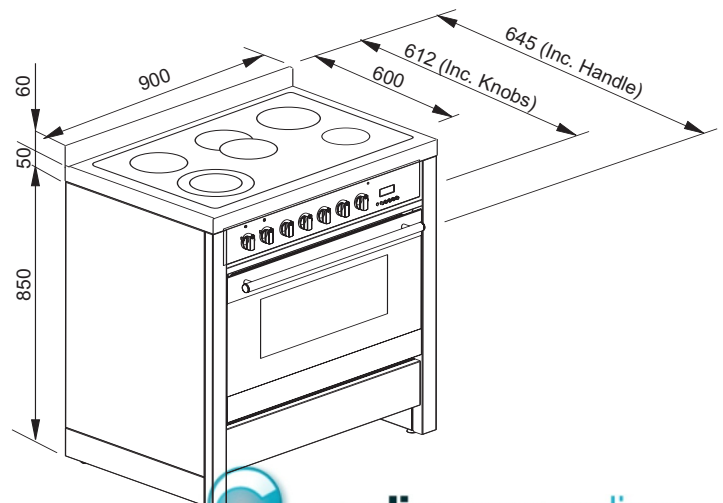
BFS95F & BFS95W ovens come with a 15 Amp plug that plugs into a 15 Amp socket. This is then hard wired to a 20 Amp circuit board.



BFS95F/BFS95W



BFS95C



The Range: 60cm Freestanding Cookers

BFS60NXFF/BFS60WXFF/BFS60CX

60cm cooktop with electric oven

4 x burners

Colour:

Model BFS60NXFF: 4 gas burners
 Model BFS60WXFF: 4 gas burners including wok burner
 Model BFS60CX: 4 zone ceran cooktop

Method of installation: Freestanding

Dimensions: 915 - 940H x 600W x 610Dmm
 height is adjustable

Cupboard opening: 605mm

Power requirement: 2.35 kW BFS60NXFF
 2.65 kW BFS60WXFF
 8.95 kW BFS60CX

Suitable gases: Natural Gas / Propane

Power cord: 240 V - 15 Amp plug (BFS60WXFF)
 240 V - 10 Amp plug (BFS60NXFF)

BFS60NXFF	NG	Propane
Front Left (Rapid):	12.0 Mj	10.8 Mj
Rear Right (Semi Rapid):	7.2 Mj	6.3 Mj
Rear Left (Semi Rapid):	7.2 Mj	6.3 Mj
Front Right (Aux):	4.0 Mj	3.8 Mj

BFS60WXFF	NG	Propane
Front Left (Wok):	13.5 Mj	12.6 Mj
Rear Right (Semi Rapid):	7.2 Mj	6.3 Mj
Rear Left (Semi Rapid):	7.2 Mj	6.3 Mj
Front Right (Aux):	4.0 Mj	3.8 Mj

Gas connection: 1/2" BSP Male

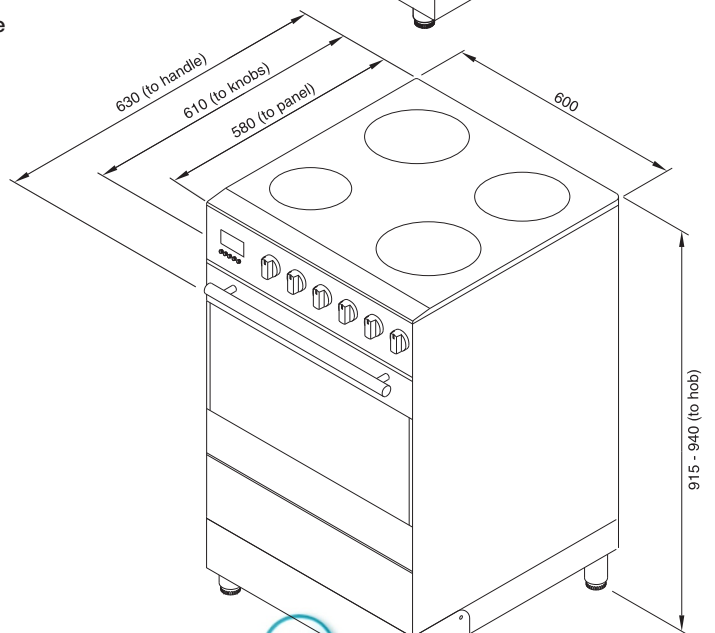
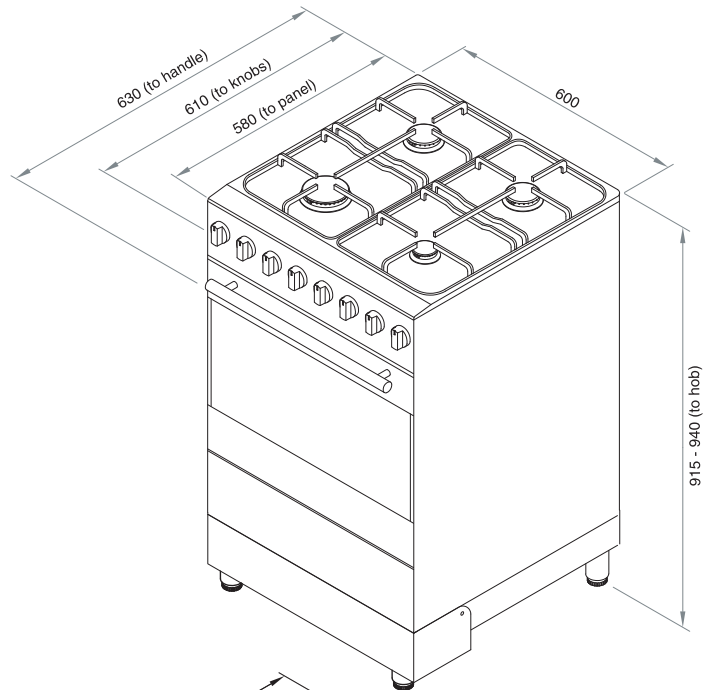
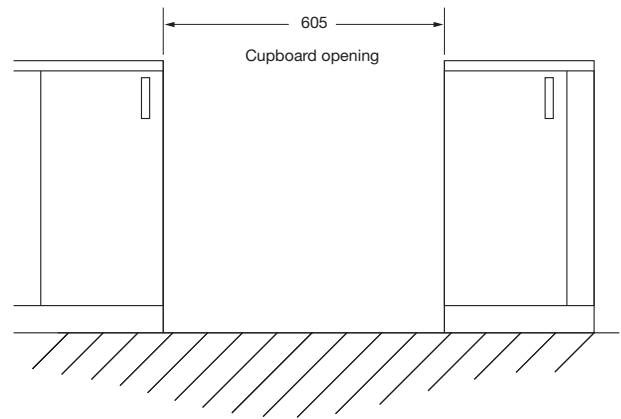
*Note: Suitable for rigid pipe or flexible hose installation.
 Relevant to BFS60NXFF and BFS60WXFF only.*

BFS60CX	Element Wattage	Element Size
Front Left (Dual Zone):	700/2200W	120/210mm
Rear Right (Large):	1800W	180mm
Rear Left (Medium):	1200W	145mm
Front Right (Medium):	1200W	145mm

Oven elements (BFS60NXFF/BFS60WXFF/BFS60CX)

Upper heating element: 400W
 Bottom heating element: 1500W
 Grill heating element: 1500W
 Circular heating element: 2300W
 Cooling fan: 25W

Oven light: 1 x 25W globe



The Range: Induction Cooktops

BIC84

80cm induction cooktop
Squareline

Colour:

Model BIC84: 4 zone induction cooktop

Dimensions:

64H x 770W X 510Dmm

Cutout size:

750W x 490Dmm
Must leave 50mm minimum clearance from bottom of cooktop to dividing shelf

Elements:

4 induction elements

Element ratings

Front Left: 2000W
Front Right: 3100W
Rear Left: 3100W
Rear Right: 2000W

Power requirement:

6.2 kW

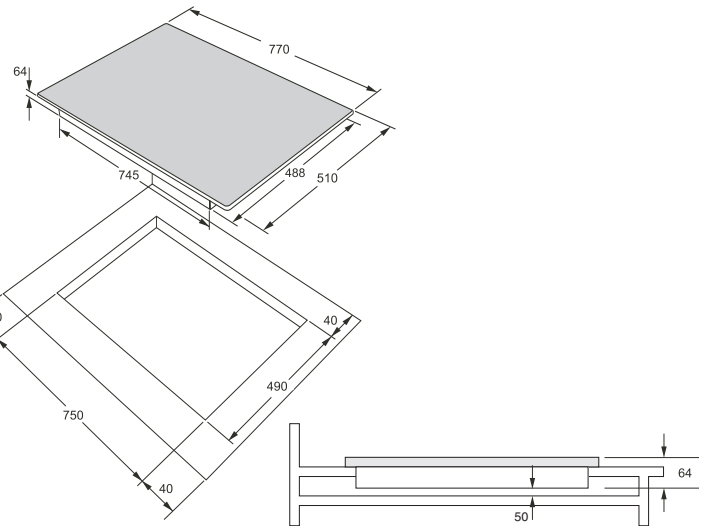
Cooking Zones Diameter

Front Left: 18cm
Front Right: 21cm
Rear Left: 21cm
Rear Right: 18cm

Controls:

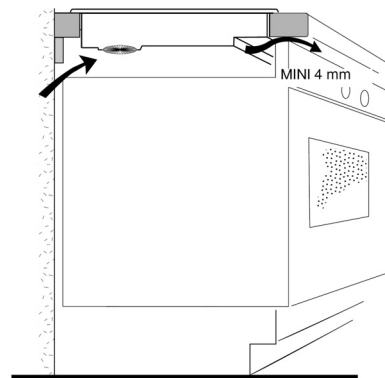
Touch control panel

- ◆ Residual light indicator



Note: For all Blanco induction cooktops.

Above the oven: The positioning must allow a fresh air intake and an air outlet of 4mm minimum.



BIC63/BIC64

60cm induction cooktop
Squareline

Colour:

Model BIC63: 3 zone induction cooktop
Model BIC64: 4 zone induction cooktop

Dimensions:

64H x 580W X 510Dmm

Cutout size:

560W x 490Dmm
Must leave 50mm minimum clearance from bottom of cooktop to dividing shelf

Elements:

BIC63: 3 induction elements
BIC64: 4 induction elements

Element ratings

	BIC63	BIC64
Front Left:	2000W	2800W
Front Right:	2800W	2200W
Rear Left:	2800W	2800W
Rear Right:		3100W

Power requirement:

5.9 kW 5.9 kW

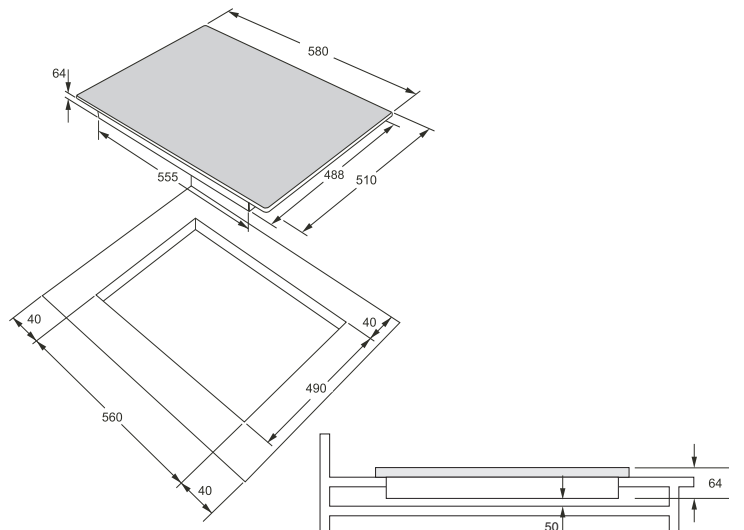
Cooking Zones Diameter

	BIC63	BIC64
Front Left:	16cm	18cm
Front Right:	28cm	16cm
Rear Left:	18cm	18cm
Rear Right:		21cm

Controls:

Touch control panel

- ◆ Residual light indicator



appliancesonline
.com.au

Australia's largest online appliance retailer

The Range: Ceramic Glass Cooktops

BCCT3X

30cm ceramic glass cooktop

4 x elements, Squareline

Colour:

Model BCCT3X: Ceran surface available with frame

Dimensions:

48H x 296W X 516Dmm

Cutout size:

270W x 490Dmm
Must leave 10mm minimum clearance from bottom of cooktop to dividing shelf

Elements:

2 single heating zones

Element ratings

Front: 1200W

Rear: 1800W

Power requirement:

3.0 kW

Cooking Zones Diameter

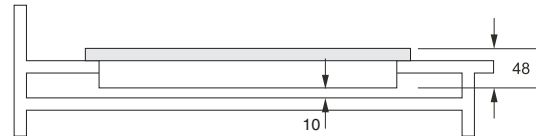
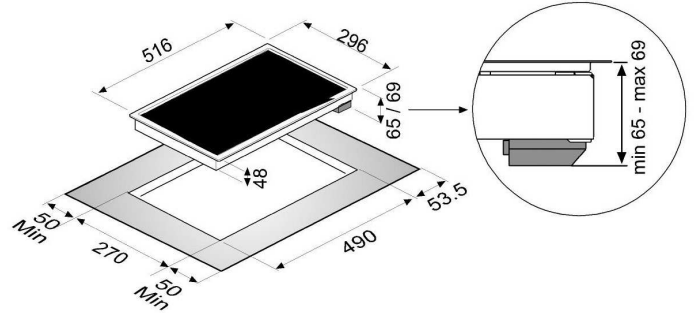
Front: 18cm

Rear: 14.5cm

Controls:

Touch control panel

- ◆ Residual heat light



BCCT45X

45cm ceramic glass cooktop

Squareline, 3 x Hi-light elements

Colour:

Model BCCT45X: Ceran surface with Stainless Steel frame

Dimensions:

65H x 450W X 510Dmm

Cutout size:

430W x 490Dmm
Must leave 10mm minimum clearance from bottom of cooktop to dividing shelf

Elements:

3 single heating zones

Element ratings

Front Left: 1200W

Rear Left: 1200W

Right: 1800W

Power requirement:

4.2 kW

Cooking Zones Diameter

Front Left: 14.5cm

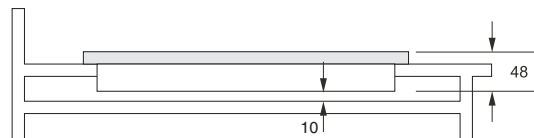
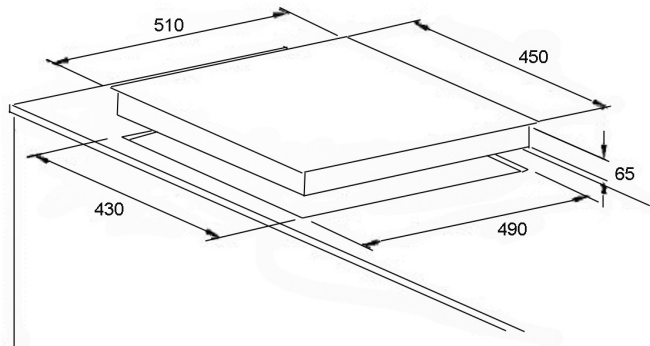
Rear Left: 14.5cm

Right: 18cm

Controls:

Touch control panel

- ◆ Residual heat light



The Range: Ceramic Glass Cooktops

BCCT60X/N

60cm ceramic glass cooktop

4 x elements, Squareline

Colour:

Model BCCT60X/N: Ceran surface available with or without frame

Dimensions:

48H x 580W X 510Dmm

Cutout size:

560W x 490Dmm
Must leave 10mm minimum clearance from bottom of cooktop to dividing shelf

Elements:

4 single heating zones

Element/Zone:

Rating: **Diameter:**

Front Left:	1800W	18cm
Front Right:	1200W	14.5cm
Rear Left:	1200W	14.5cm
Rear Right:	1800W	18cm

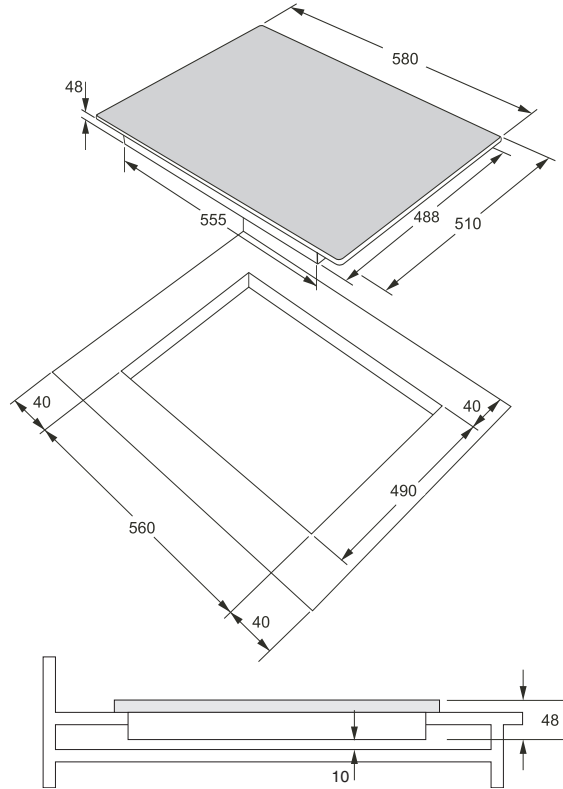
Power requirement:

6.0 kW

Controls:

Touch control panel

- ◆ Residual heat light



BCCT63X, BCCT64X

60cm ceramic glass cooktop

Colour:

Model BCCT63X: Ceran surface with frame

Model BCCT64X: Ceran surface with frame

Dimensions:

48H x 586W X 516Dmm

Cutout size:

BCCT63X: 565W x 495Dmm
BCCT64X: 560W x 490Dmm
Must leave 10mm minimum clearance from bottom of cooktop to dividing shelf

Elements:

BCCT63X: 2 single, 1 dual heating zone
BCCT64X: 2 single, 2 double heating zones

Element ratings

	BCCT63X	BCCT64X
Front Left:	1800W	700/2100W
Front Right:	1500/2400W	1200W
Rear Left:	1200W	1200W
Rear Right:		700/1700W

Power requirement:

5.4 kW 6.2 kW

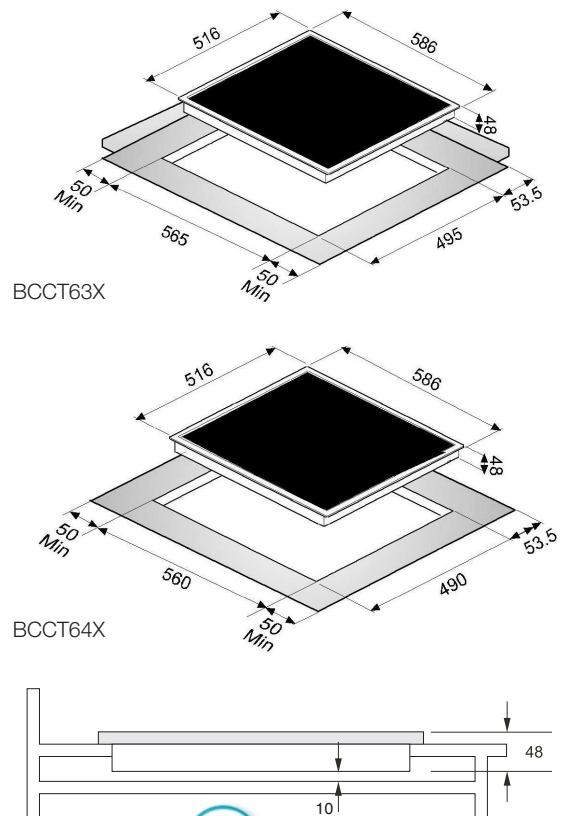
Cooking Zones Diameter

	BCCT63X	BCCT64X
Front Left:	18cm	12/21cm
Front Right:	21/27.5cm	14.5cm
Rear Left:	14.5cm	14.5cm
Rear Right:		12/18cm

Controls:

Touch control panel

- ◆ Residual heat light



The Range: Ceramic Glass Cooktops

BCCT75X/N

75cm ceramic glass cooktop
Squareline, 4 x Hi-light elements

Colour:

Model BCCT75X/N: Ceran surface available with or without frame

Dimensions:

48H x 770W X 510Dmm

Cutout size:

48H x 750W x 490Dmm
*Must leave 10mm minimum clearance from bottom of cooktop to dividing shelf

Elements:

4 single heating zones

Element ratings

Front Left: 1800W
Front Right: 1200W
Rear Left: 2200W
Rear Right: 1200W

Power requirement:

6.4 kW

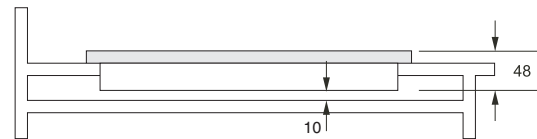
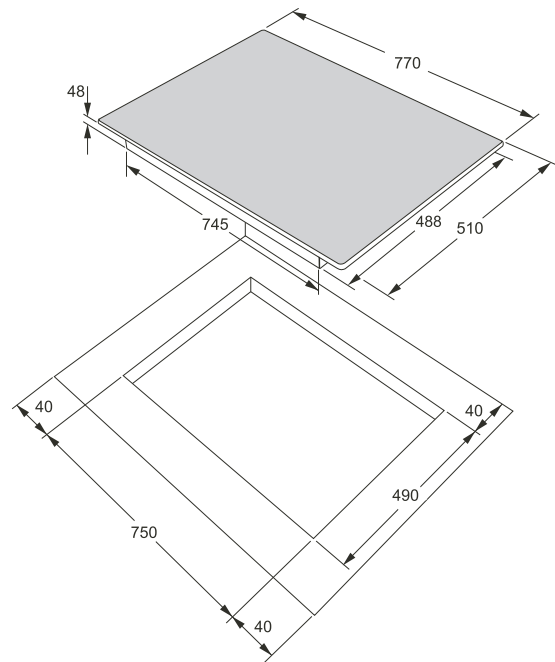
Cooking Zones Diameter

Front Left: 18cm
Front Right: 14.5cm
Rear Left: 21cm
Rear Right: 14.5cm

Controls:

Graduated touch control panel

- ◆ Residual heat lights



BCCT9X

90cm ceramic glass cooktop
Squareline
5 x Hi-light elements

Colour:

Model BCCT9X: Ceran surface with frame

Dimensions:

48H x 906W X 516Dmm

Cutout size:

80W x 490Dmm
Must leave 10mm minimum clearance from bottom of cooktop to dividing shelf

Elements:

3 single, 1 double, 1 expandable heating zones

Element ratings

Front Left: 1200W
Front Right: 700/1700W
Rear Left: 1400/2200W
Rear Right: 1200W
Rear Centre: 1800W

Power requirement:

8.1 kW

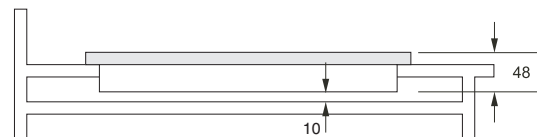
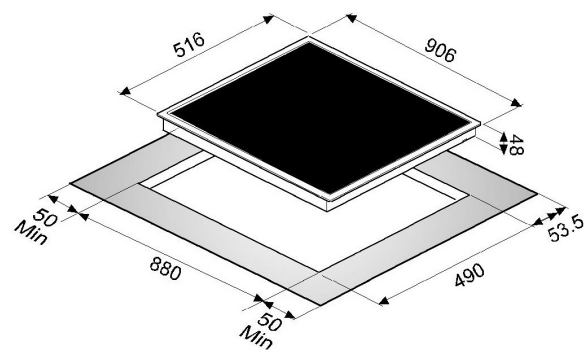
Cooking Zones Diameter

Front Left: 14.5cm
Front Right: 12/18cm
Rear Left: 17/26.5cm
Rear Right: 14.5cm
Rear Centre: 18cm

Controls:

Touch control panel

- ◆ Residual heat light



The Range: Ceramic Glass Cooktops

BCCK32NX

30cm electric cooktop
Squareline

Colour:

Model BCCK32NX: Ceran surface with Stainless Steel Trim

Dimensions:

48H x 290W x 510Dmm

Cutout size:

270W x 490Dmm
Must leave 25mm minimum clearance from bottom of cooktop to dividing shelf

Elements:

2 heating zones

Radiant element ratings:

Front: 1200W
Rear: 1800W

Power requirement:

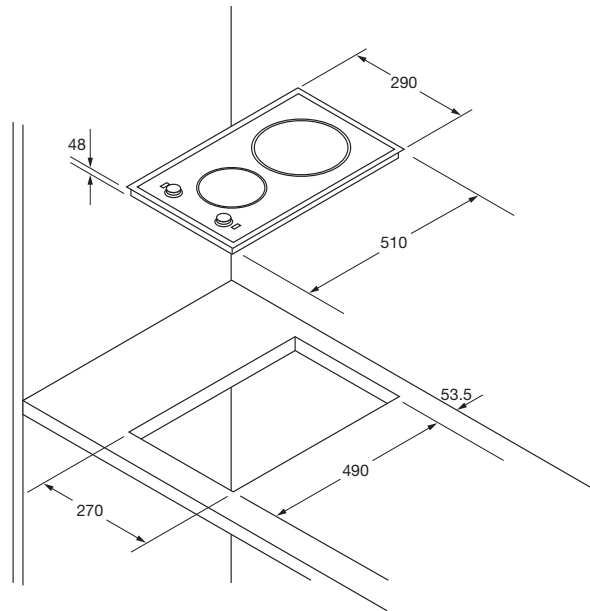
3.0 kW

Controls:

Graduated 1-6

Built-in height:

Please check nominal depth of cooktop prior to installation. Allow 50mm between cooktop bottom and kitchen furniture.



BCCK6X/N, BCCK60X/N

60cm ceramic glass cooktop
Squareline

Colour:

Model BCCK6X/N: Ceran surface available with or without frame

Model BCCK60X/N*: Ceran surface available with or without frame

Dimensions:

48H x 580W x 510Dmm

Cutout size:

560W x 490Dmm
Must leave 25mm minimum clearance from bottom of cooktop to dividing shelf

Elements:

BCCK6 3 single, 1 dual heating zone
BCCK60 4 single heating zones

Radiant element ratings:

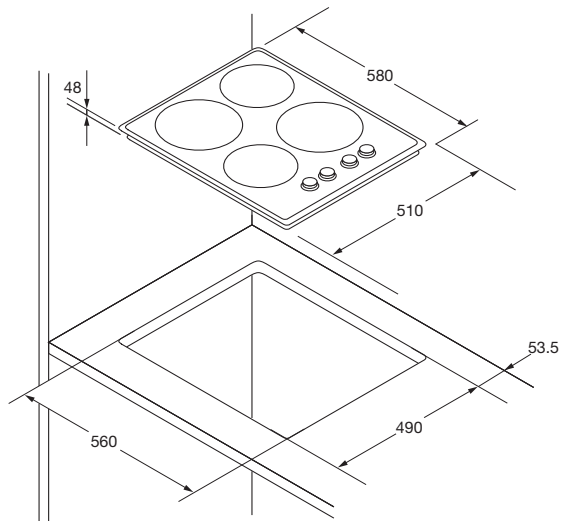
	BCCK6X/N	BCCK60X/N
Front Left:	700/2100W	1700W
Front Right:	1200W	1200W
Rear Left:	1200W	1200W
Rear Right:	1800W	1700W

Power requirement:

6.3 kW 5.8 kW

Controls:

Graduated heat settings



The Range: Squareline Gas Cooktops

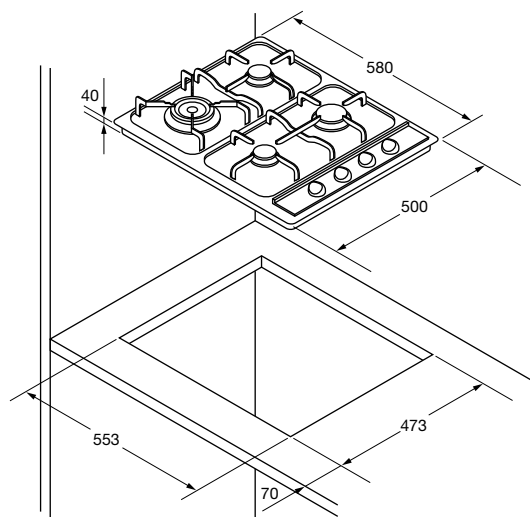
BCG640N/BCG641W

60cm gas cooktop
 Squareline
 4 x burners (BCG640N)
 4 x burners including wok burner (BCG641W)

Colour:

Model BCG640NW: White enamel cooktop with White knobs
 Model BCG640NX: Stainless Steel cooktop with Stainless Steel knobs
 Model BCG640NXC: As above with cast iron trivets
 Model BCG640NXFF: Stainless Steel cooktop with Stainless Steel knobs and Flame Failure
 Model BCG641WB: Black enamel cooktop with Black knobs
 Model BCG641WW: White enamel cooktop with White knobs
 Model BCG641WX: Stainless Steel cooktop with Stainless Steel knobs
 Model BCG641WXC: As above with cast iron trivets
 Model BCG641WXFF: Stainless Steel cooktop with Stainless Steel knobs and Flame Failure

Dimensions: 40H x 580W x 500Dmm
Cutout size: 553W x 473Dmm
Power cord: 240V 10Amps for Auto Ignition (can be ignited manually)
Length: 1.9 metres
Pressure (kPa)
 Natural Gas: 1.00kPa
 U-LPG: 2.75kPa



Burner Rating (Mj Natural Gas)	BCG640N*	BCG641W*
Front Left (Large):	12.0 Mj	15.0 Mj (Wok)
Front Right (Aux.):	4.2 Mj	4.2 Mj
Rear Left (Medium):	7.3 Mj	7.3 Mj
Rear Right (Medium):	7.3 Mj	7.3 Mj

- ◆ Suitable for natural gas & U-LPG
- ◆ Gas entry point at rear right hand side
- ◆ Co-ordinates with BLANCO Squareline Sinks

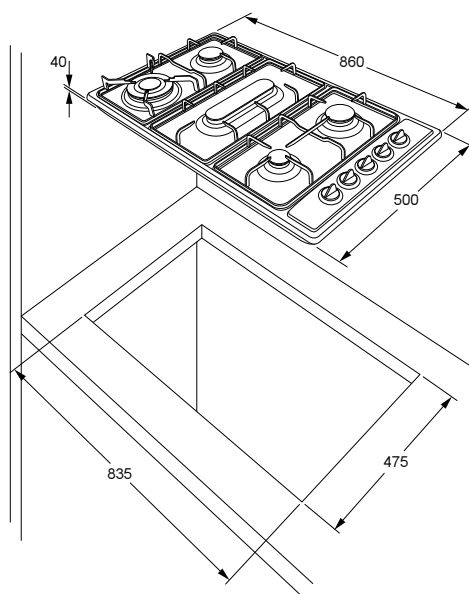
BCG95

90cm gas cooktop
 Squareline
 5 x burners including,
 1 x triple ring wok burner and 1 x fish burner

Colour:

Model BCG95X: Stainless Steel
 Model BCG95XC: Stainless Steel with Cast Iron trivets
 Model BCG95XFF: Stainless Steel with Flame Failure
 Model BCG95W: White
 Model BCG95WC: White with Cast Iron trivets

Dimensions: 40H x 860W x 500Dmm
Cutout size: 835W x 475Dmm
Power cord: 240V 10Amps for Auto Ignition (can be ignited manually)
Length: 1.9 metres



Burner Rating (Mj Natural Gas)
 Front Left (Wok): 15.0 Mj
 Front Right (Aux.): 4.0Mj
 Rear Left (Medium): 7.3 Mj
 Rear Right (Medium): 7.3 Mj
 Centre (Fish burner): 12.0 Mj

Pressure (kPa)
 Natural Gas: 1.00kPa
 U-LPG: 2.75kPa

- ◆ Suitable for natural gas & U-LPG
- ◆ Gas entry point at rear right hand side
- ◆ Co-ordinates with BLANCO Squareline Sinks

Note: Suitable for rigid pipe or flexible hose installation.

The Range: Smoothline Gas Cooktops

BCGR64N2FF

60cm Front control cooktop
Smoothline
4 x burners

Colour:
Model BCGR64N2FF: Stainless Steel with Silver knobs

Dimensions: 30H x 580W X 500Dmm

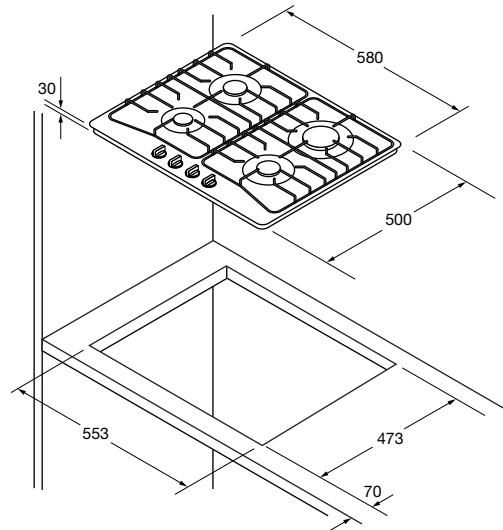
Cutout size: 553W x 473Dmm

Power cord: 240V 10Amps for Auto Ignition
(can be ignited manually)

Length: 1.8 metres

Burner Rating (Mj)	Natural Gas
Front Left (Small):	4.2 Mj
Front Right (Medium):	7.3 Mj
Rear Left (Medium):	7.3 Mj
Rear Right (Large):	12.0 Mj

Pressure (kPa)	
Natural gas:	1.00kPa
U-LPG:	2.75kPa



- ◆ Suitable for natural gas & U-LPG
- ◆ Gas entry point at rear right hand side

BCGR32N2FF

30cm Front control cooktop
Smoothline
2 x burners

Colour:
Model BCGR32N2FF: Stainless Steel with Silver knobs

Dimensions: 30H x 300W X 500Dmm

2

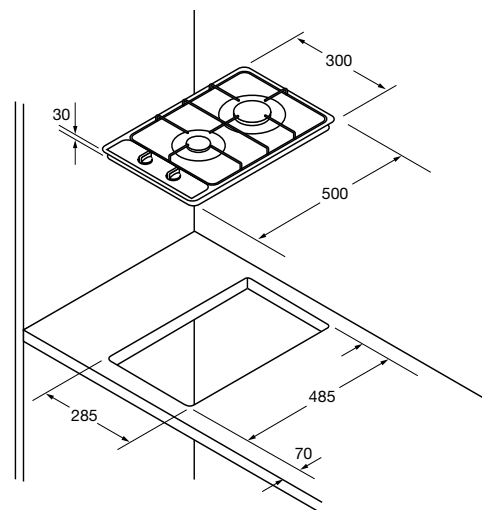
Cutout size: 285W x 485Dmm

Power cord: 240V 10Amps for Auto Ignition
(can be ignited manually)

Length: 1.8 metres

Burner Rating (Mj)	
Front (Small):	4.2 Mj
Rear (Large):	12.0 Mj

Pressure (kPa)	
Natural gas:	1.00kPa
U-LPG:	2.75kPa



- ◆ Suitable for natural gas & U-LPG
- ◆ Gas entry point at rear right hand side

Note: Suitable for rigid pipe or flexible hose installation.

The Range: Smoothline Gas Cooktops

BCGR95WX

90cm Front control gas cooktop with cast iron trivets

5 x burners

Colour:

Model BCGR95WX: Stainless Steel with cast iron trivets
 Model BCGR95WXFF: Stainless Steel with cast iron trivets & flame failure

Dimensions: 45H x 860W X 500Dmm

Cutout size: 835W x 475Dmm

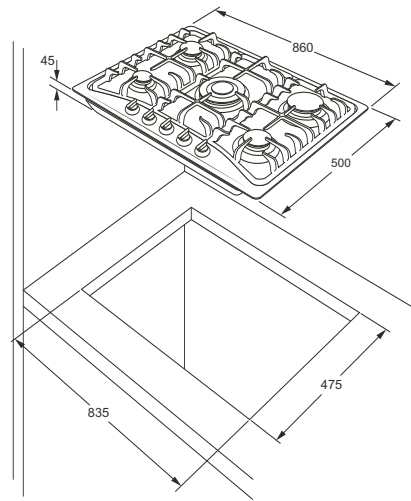
Power cord: 240V 10Amps for Auto Ignition
 (can be ignited manually)

Burner Rating (Mj)	Natural Gas	U-LPG
Ultra Rapid (Centre Wok):	11.9 Mj	11.9 Mj
Rear Right (Rapid Burner):	10.4 Mj	10.8 Mj
Front Right & Rear Left (Semi Rapid):	6.3 Mj	6.3 Mj
Front Left (Aux):	3.6 Mj	3.6 Mj

Pressure (kPa)

Natural gas: 1.00kPa
 U-LPG: 2.75kPa

- ◆ Suitable for natural gas & U-LPG
- ◆ Gas entry point at rear right hand side



BCGR75W2

70cm Front control cooktop

Smoothline

5 x burners including wok burner

Colour:

Model BCGR75W2: Stainless Steel with cast iron trivets
 Model BCGR75W2FF: Stainless Steel with cast iron trivets & flame failure

Dimensions: 30H x 680W X 500Dmm

Cutout size: 553W x 473Dmm

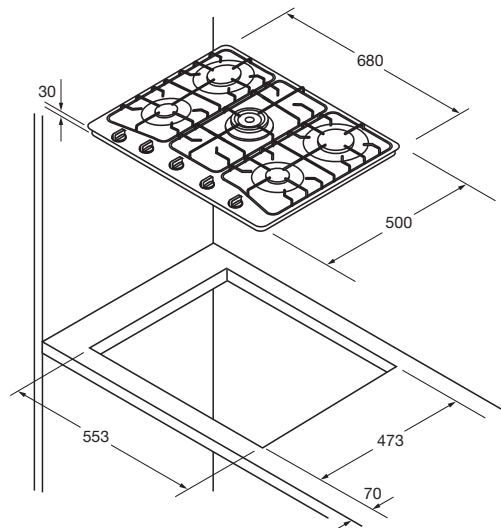
Power cord: 240V 10Amps for Auto Ignition
 (can be ignited manually)

Burner Rating (Mj)	Natural Gas	U-LPG
Ultra Rapid (Centre Wok)	11.9 Mj	11.9 Mj
Rear Right (Rapid Burner)	10.4 Mj	10.8 Mj
Front Right & Rear Left (Aux)	6.3 Mj	6.3 Mj
Front Left (Medium)	3.6 Mj	3.6 Mj

Pressure (kPa)

Natural gas: 1.00kPa
 U-LPG: 2.75kPa

- ◆ Suitable for natural gas & U-LPG
- ◆ Gas entry point at rear right hand side



Note: Suitable for rigid pipe or flexible hose installation.

The Range: Flushmount Gas Cooktops

BCGF75

70cm Front control cooktop

Flushline

5 x burners including triple ring wok burner

Colour:

Model BCGF75X

Stainless Steel with cast iron trivets

Model BCGF75XFF

Stainless Steel, with flame failure and cast iron trivets

Dimensions:

45H x 680W X 500Dmm

Standard Flushline

Cutout size:

650W x 492Dmm

Power cord:

240V 10Amps for Auto Ignition
(can be ignited manually)

Length:

1.8 metres

Burner Rating (Mj)

Front Left (Aux):

3.6 Mj

Rear Left (Semi Rapid):

6.3 Mj

Centre (Wok):

11.9 Mj

Front Right (Semi Rapid):

6.3 Mj

Rear Right (Rapid):

10.4 Mj

Pressure (kPa)

Natural gas:

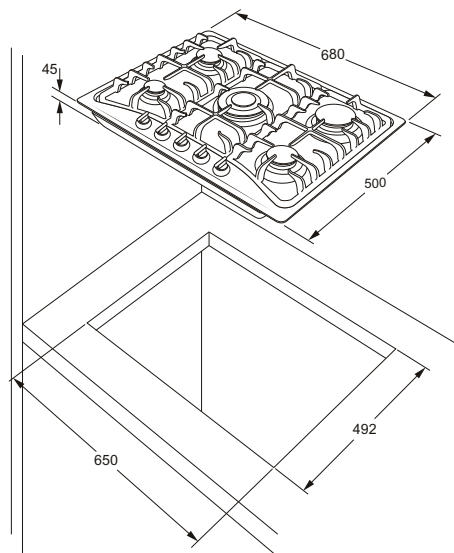
1.00kPa

U-LPG:

2.75kPa

- ◆ Suitable for natural gas & U-LPG
- ◆ Gas entry point at rear left hand side

Standard Flushline Installation



The Range: Crystal Glass Gas Cooktops

BCGC74

70cm Front control cooktop
Crystal Glass Cooktop
4 x burners including wok burner

Colour:

Model BCG74X Crystal Steel
Model BCG74W Crystal White
Model BCG74B Crystal Black

Dimensions: 55H x 680W X 500Dmm

Cutout size: 645W x 475Dmm

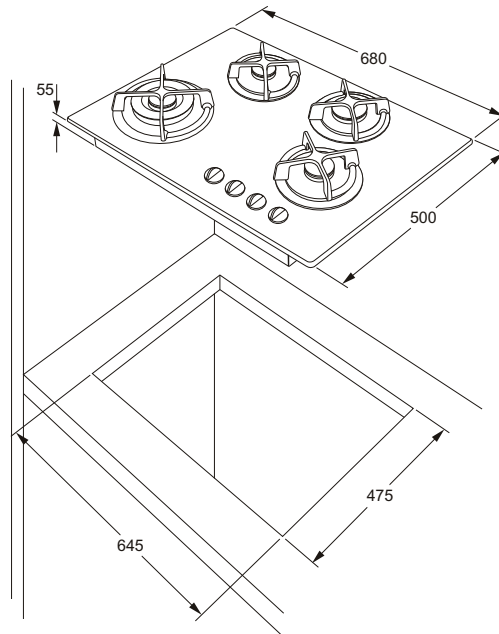
Power cord: 240V 10Amps for Auto Ignition
(can be ignited manually)

Length: 1.8 metres

Burner Rating (Mj)	Natural Gas	U-LPG
Rear Left (Aux):	3.6 Mj	3.6 Mj
Front Left (Wok):	11.9 Mj	11.9 Mj
Rear Right (Semi Rapid):	6.3 Mj	6.3 Mj
Front Right (Aux):	3.6 Mj	3.6 Mj

Pressure (kPa)

Natural gas: 1.00kPa
U-LPG: 2.75kPa



- ◆ Suitable for natural gas & U-LPG
- ◆ Gas entry point at rear left hand side

Note: Suitable for rigid pipe or flexible hose installation.

BCGC52B

52cm Front control cooktop
Crystal Glass Cooktop
2 x burners including wok burner

Colour:

Model BCGC52B Crystal Black

Dimensions: 65H x 500W X 350Dmm

Cutout size: 480W x 328Dmm

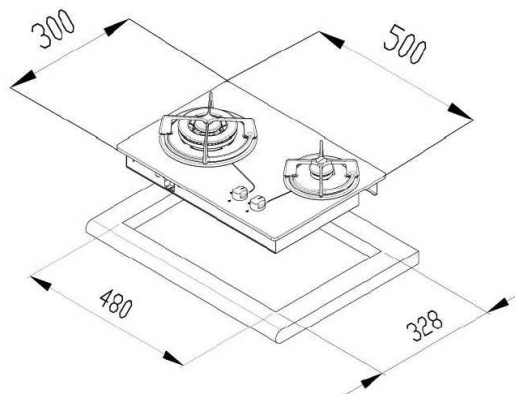
Power cord: 240V 10Amps for Auto Ignition
(can be ignited manually)

Length: 1.8 metres

Burner Rating (Mj)	Natural Gas
Left (Wok):	11.9 Mj
Right (Aux):	3.6 Mj

Pressure (kPa)

Natural gas: 1.00kPa
U-LPG: 2.75kPa



- ◆ Suitable for natural gas & U-LPG
- ◆ Gas entry point at rear left hand side

Note: Suitable for rigid pipe or flexible hose installation.

The Range: Electric Cooktops

BCES642N1X

Softline 4 x ego elements

Colour:

Model BCES642N1X: Stainless Steel cooktop with Stainless Steel control panel and knobs

Dimensions:

50H x 580W X 500Dmm

Cutout size:

553W x 473Dmm
Template Supplied

Elements:

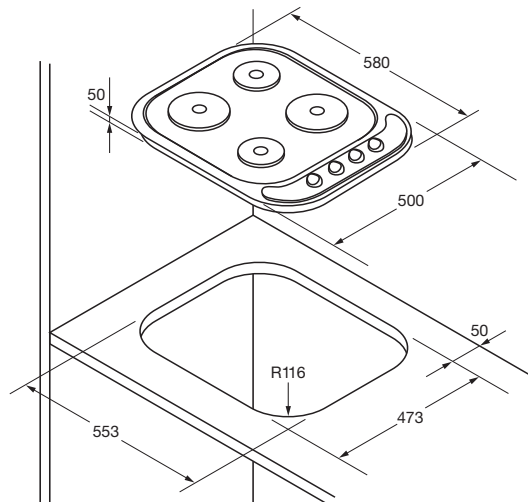
4 x Ego rapid

Radiant element ratings:

Front Left: 1500W
Front Right: 1000W
Rear Left: 1000W
Rear Right: 1500W

Power requirement:

5 kW



N.B. Model is from Blanco Classic Range

BCER321N1X

Smoothline 2 x ego elements

Colour:

Model BCER321N1X: Stainless Steel cooktop with Stainless Steel control panel and knobs

Dimensions:

30H x 300W X 500Dmm

Cutout size:

285W x 485Dmm

Elements:

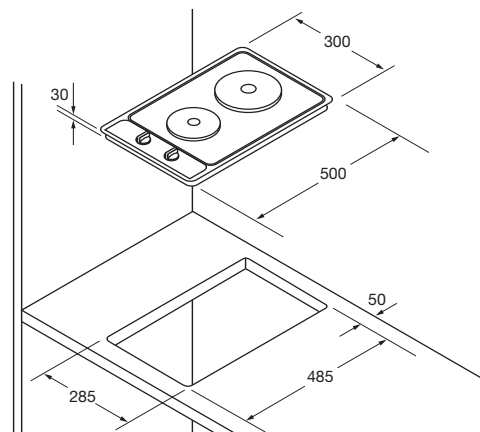
2 x Ego rapid

Radiant element ratings:

Front: 1500W
Rear: 2000W

Power requirement:

3.5 kW



N.B. Model is from Blanco Classic Range

BCER6W/X

Smoothline 4 x ego elements

Colour:

Model BCER6W: White cooktop with white knobs
Model BCER6X: Stainless Steel cooktop with Stainless Steel knobs

Dimensions:

50H x 580W X 500Dmm

Cutout size:

553W x 473Dmm

Elements:

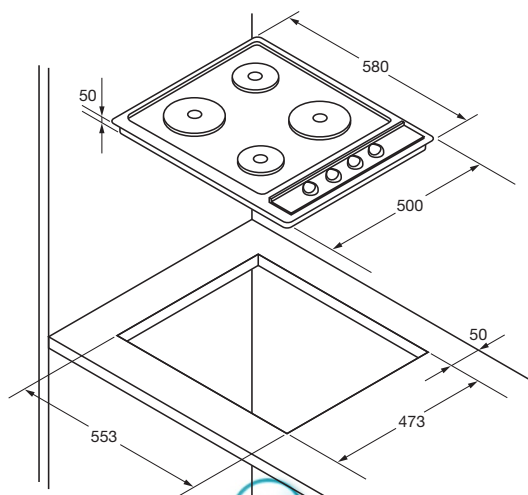
4 x Ego rapid

Radiant element ratings:

Front Left: 2000W
Front Right: 1500W
Rear Left: 1500W
Rear Right: 2000W

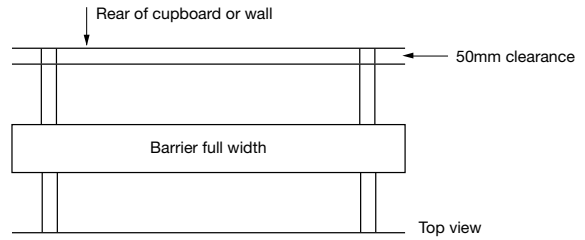
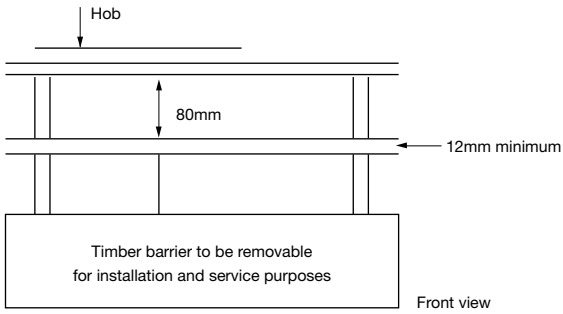
Power requirement:

7 kW



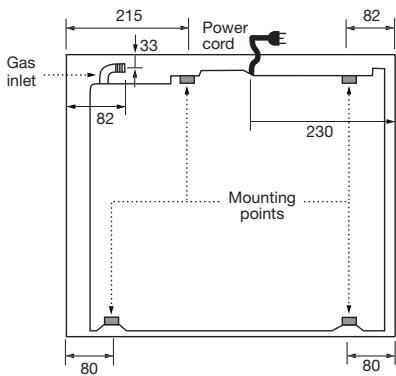
N.B. Models is from Blanco Classic Range

Ceramic Glass Cooktops Installation

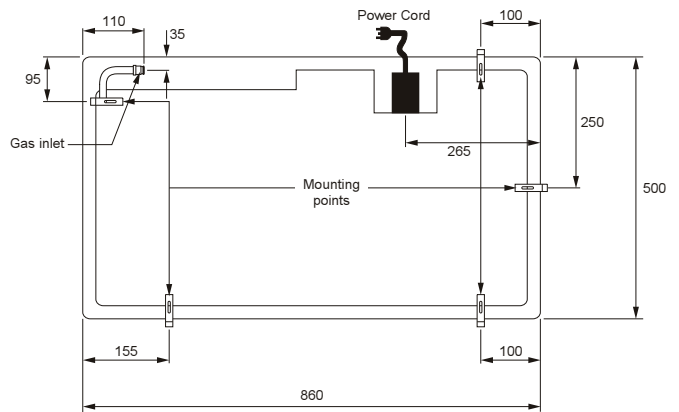


Installers Note: The timber barrier must be fitted 80mm below the surface of the working top leaving 50mm clearance at the rear of the hotplate to provide ventilation and to facilitate electrical connections (see below).

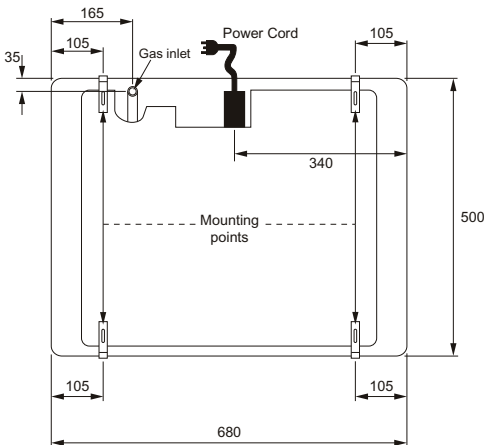
Gas Cooktops Installation



BCG640N/BCG641W
60cm gas cooktop
Squareline

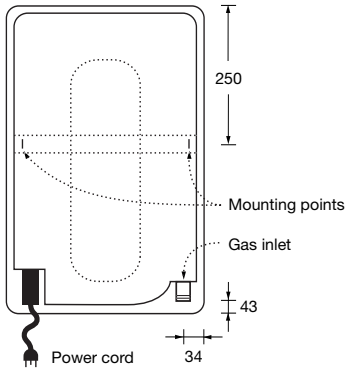


*BCG95**
90cm gas cooktop
Squareline

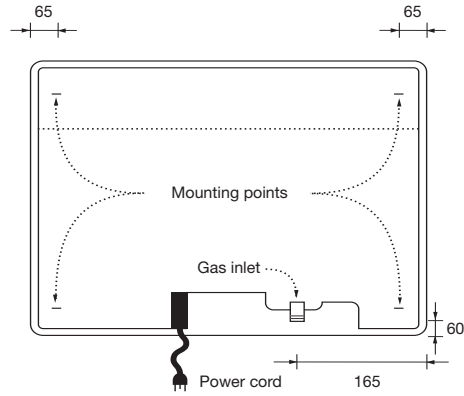


*BCGF75**
70cm Front control flushline cooktop

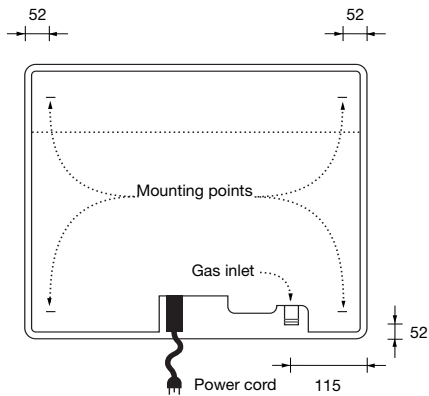
Gas Cooktops Installation



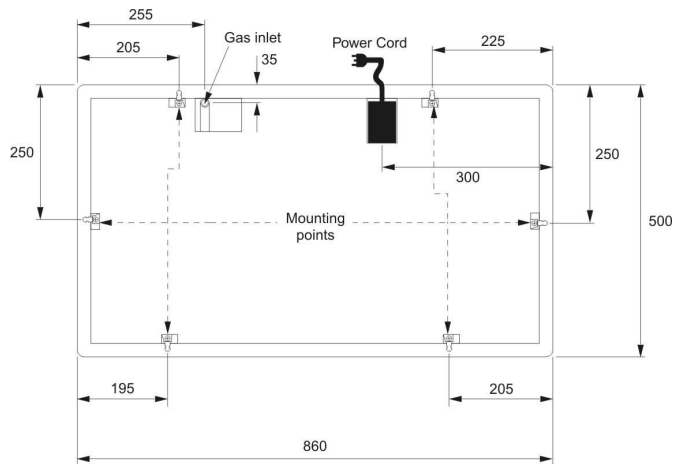
BCGR31W2FF/BCGR32N2FF
30cm Front control cooktop
Smoothline



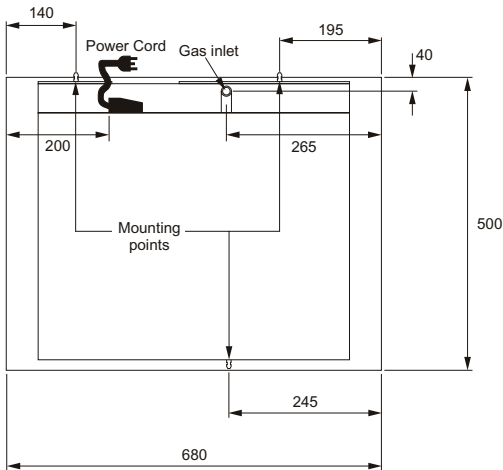
BCGR75W2FF
70cm Front control cooktop
Smoothline



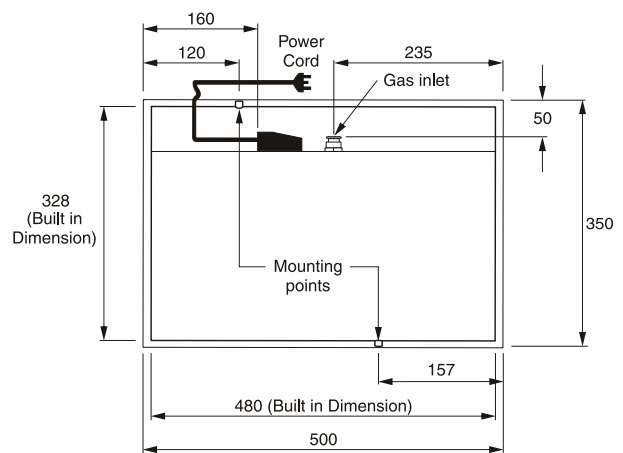
BCGR64N2FF
60cm Front control cooktop
Smoothline



BCGR95WX
90cm Front control glass cooktop



BCGC74
70cm Front control glass cooktop



BCGC52B
52cm Front control cooktop

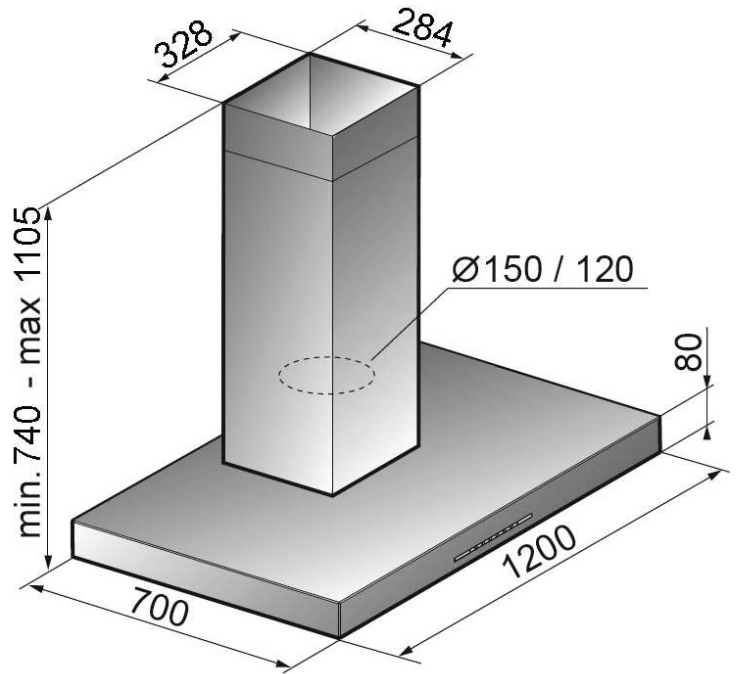
The Range: Island Canopy Ranges

BIC120X

120cm Stainless Steel Island Canopy Rangehood

Colour:	Stainless Steel
Method of installation:	Suspended from ceiling
Overall dimensions:	1200W x 700D x 80Hmm
Flue cover	
Min:	740mm
Max:	1105mm
Power requirement:	240V 10Amp Power cord fitted
Air flow:	1200m ³ /h
Ducting:	Top only or recirculating
Duct Spigot:	150/120mm
Min height above cooktop	
Gas/Electric:	600mm

Optional Carbon Filter: ACK62260

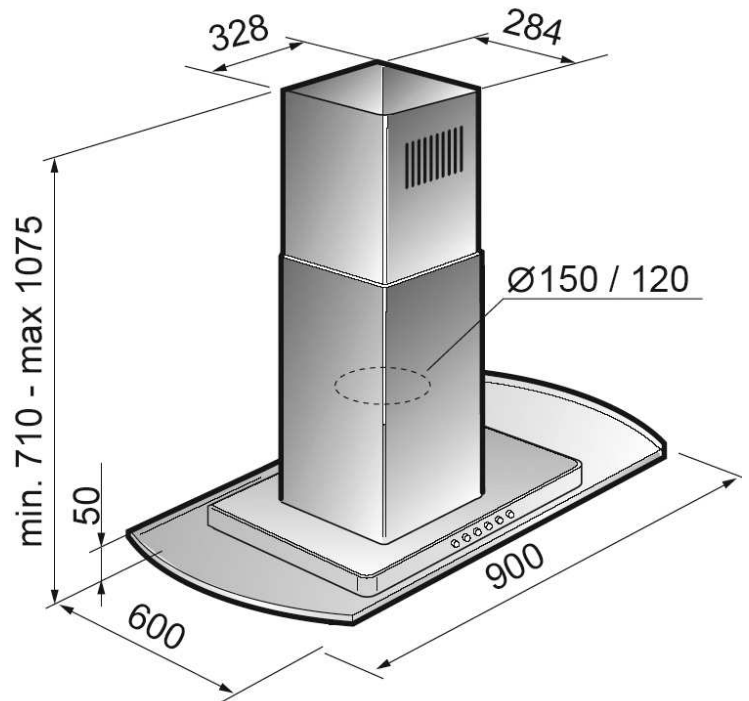


BICG90X

90cm Glass Island Canopy Rangehood

Colour:	Stainless Steel
Method of installation:	Suspended from ceiling
Overall dimensions:	900W x 600D x 50Hmm
Flue cover	
Min:	710mm
Max:	1075mm
Power requirement:	240V 10Amp Power cord fitted
Air flow:	900m ³ /h
Ducting:	Top only or recirculating
Duct Spigot:	150/120mm
Min height above cooktop	
Gas/Electric:	600mm

Optional Carbon Filter: ACK62260



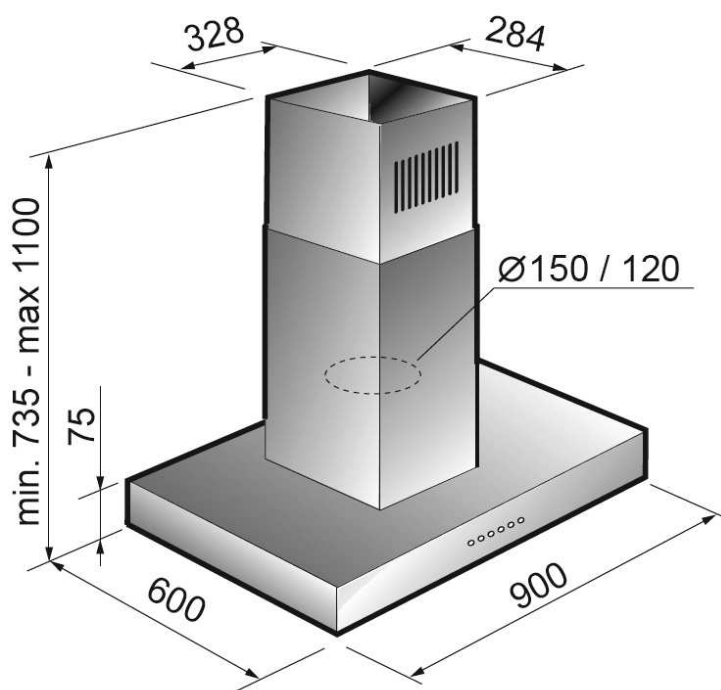
The Range: Island Canopy Rangehoods

BIC90X

90cm Island Canopy Rangehood

Colour:	Stainless Steel
Method of installation:	Suspended from ceiling
Overall dimensions:	900W x 600D x 75Hmm
Flue cover	
Min:	735mm
Max:	1100mm
Power requirement:	240V 10Amp Power cord fitted
Air flow:	900m ³ /h
Ducting:	Top only or recirculating
Duct Spigot:	150/120mm
Min height above cooktop	
Gas/Electric:	600mm

Optional Carbon Filter: ACK62260



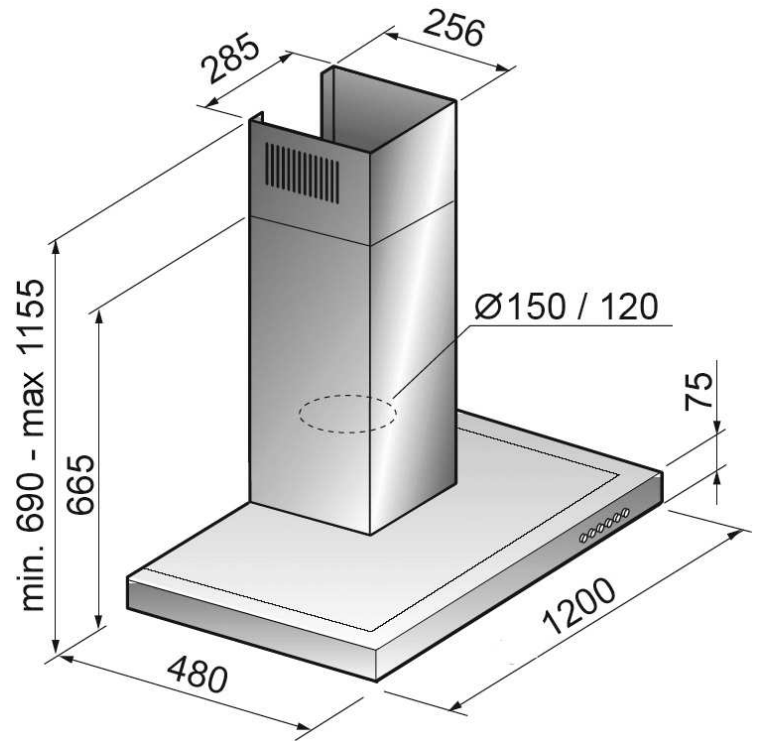
The Range: Wall Canopy Rangehoods

BWCS120X

120cm Wall Canopy Rangehood

Colour:	Stainless Steel
Method of installation:	Wall mounted
Overall dimensions:	1200W x 480D x 75Hmm
Flue cover	
Min:	690mm
Max:	1155mm
Power requirement:	240V 10Amp Power cord fitted
Air flow:	1200m ³ /h
Ducting:	Top only or recirculating
Duct Spigot:	150/120mm
Min height above cooktop	
Gas/Electric:	600mm

Optional Carbon Filter: ACK86273
Extension Flue: ACK86273

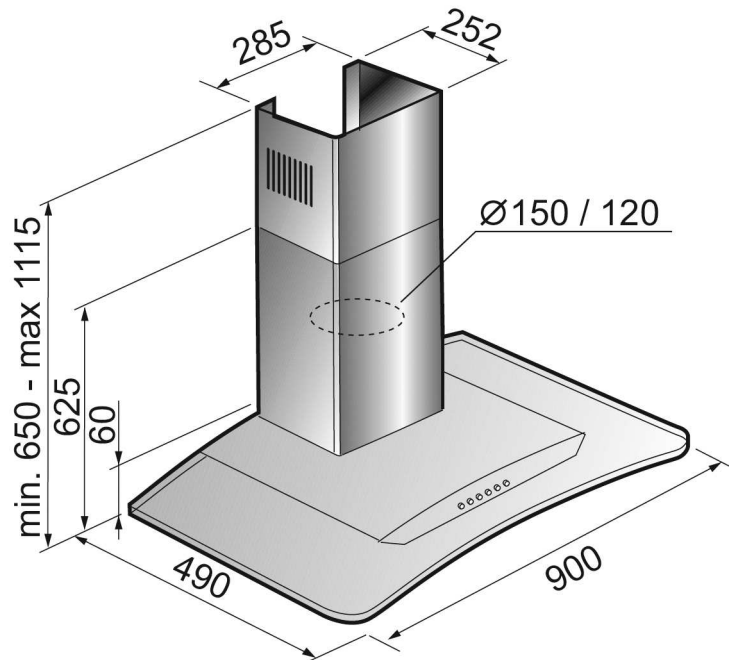


BWGG90X

90cm Curved Glass Wall Canopy Rangehood

Colour:	Stainless Steel
Method of installation:	Wall mounted
Overall dimensions:	900W x 490D x 60Hmm
Flue cover	
Min:	650mm
Max:	1115mm
Power requirement:	240V 10Amp Power cord fitted
Air flow:	900m ³ /h
Ducting:	Top only or recirculating
Duct Spigot:	150/120mm
Min height above cooktop	
Gas/Electric:	600mm

Optional Carbon Filter: ACK62260
Extension Flue: KIT0019



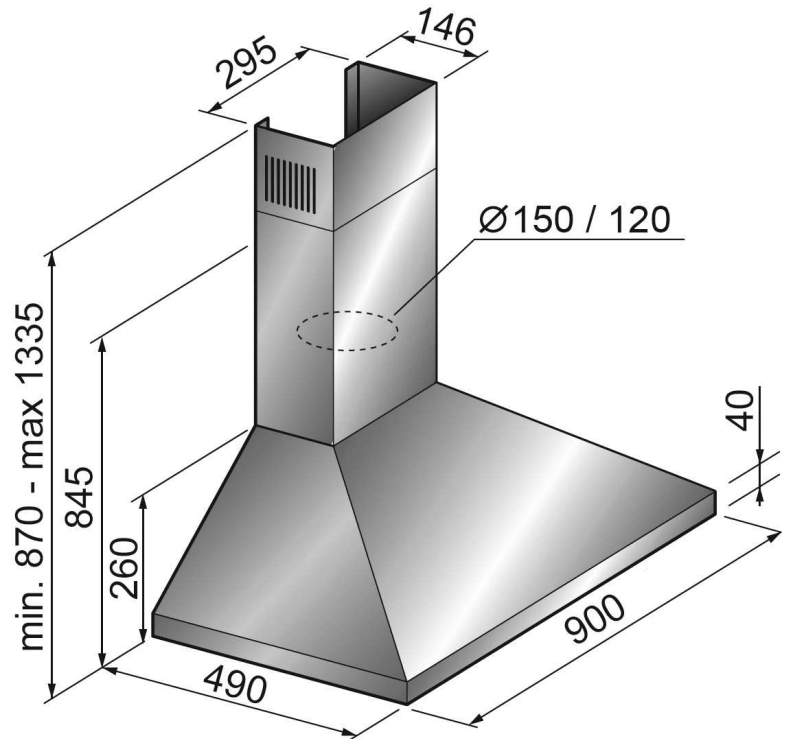
The Range: Wall Canopy Rangehoods

BWC9CR/BWC9B

90cm Coloured Wall Canopy Rangehood

Colour:	BWC9CR - Creme BWC9B - Black
Method of installation:	Wall mounted
Overall dimensions:	900W x 490D x 260Hmm
Flue cover	
Min:	870mm
Max:	1335mm
Power requirement:	240V 10Amp Power cord fitted
Air flow:	900m ³ /h
Ducting:	Top only or recirculating
Duct Spigot:	150/120mm
Min height above cooktop	
Gas/Electric:	600mm

Optional Carbon Filter: ACK62836 (pack of 2)



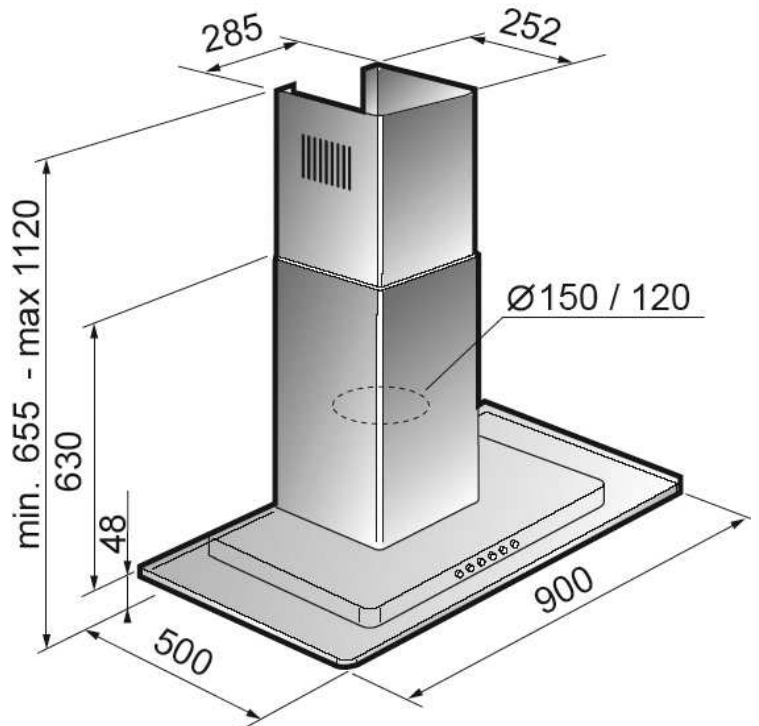
BWCG90X

90cm Decorative Glass Wall Canopy Rangehood

Colour:	Stainless Steel
Method of installation:	Wall mounted
Overall dimensions:	900W x 500D x 48Hmm
Flue cover	
Min:	655mm
Max:	1120mm
Power requirement:	240V 10Amp Power cord fitted
Air flow:	900m ³ /h
Ducting:	Top only or recirculating
Duct Spigot:	150/120mm
Min height above cooktop	
Gas/Electric:	600mm

Optional Carbon Filter: ACK62260

Extension Flue: KIT0019



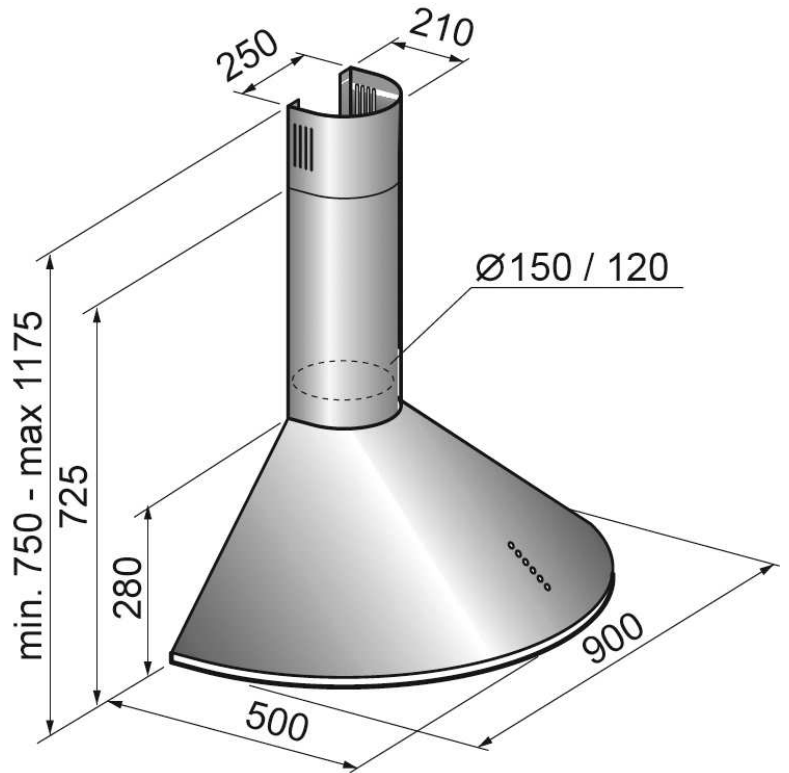
The Range: Wall Canopy Rangehoods

BWCC9X

90cm Curved Wall Canopy Rangehood

Colour:	Stainless Steel
Method of installation:	Wall mounted
Overall dimensions:	900W x 500D x 280Hmm
Flue cover	
Min:	750mm
Max:	1175mm
Power requirement:	240V 10Amp Power cord fitted
Air flow:	900m ³ /h
Ducting:	Top only or recirculating
Duct Spigot:	150/120mm
Min height above cooktop	
Gas/Electric:	600mm

Optional Carbon Filter: ACK62836 (pack of 2)



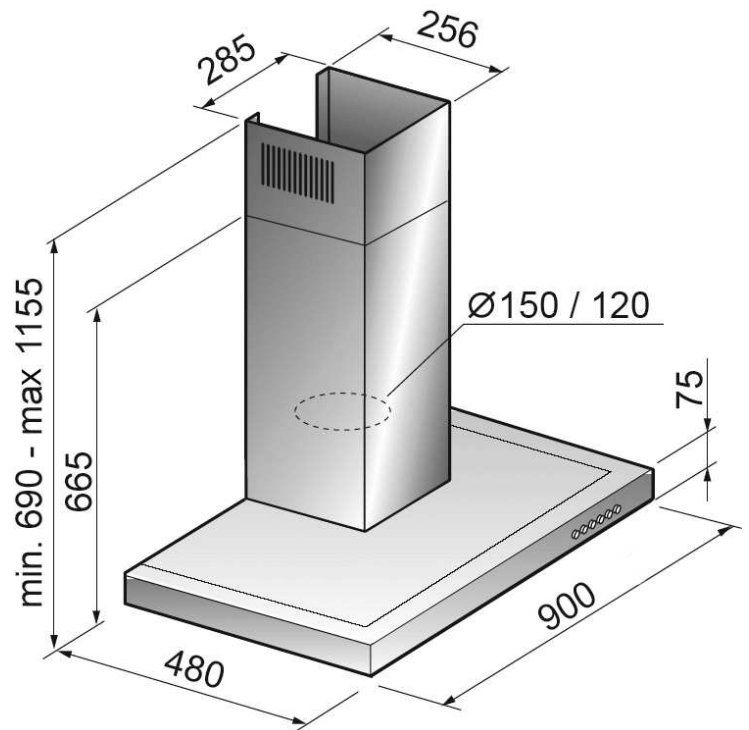
BWC90X

90cm Wall Canopy Rangehood

Colour:	Stainless Steel
Method of installation:	Wall mounted
Overall dimensions:	900W x 480D x 75Hmm
Flue cover	
Min:	690mm
Max:	1155mm
Power requirement:	240V 10Amp Power cord fitted
Air flow:	900m ³ /h
Ducting:	Top only or recirculating
Duct Spigot:	150/120mm
Min height above cooktop	
Gas/Electric:	600mm

Optional Carbon Filter: ACK62260

Extension Flue: ACK86273



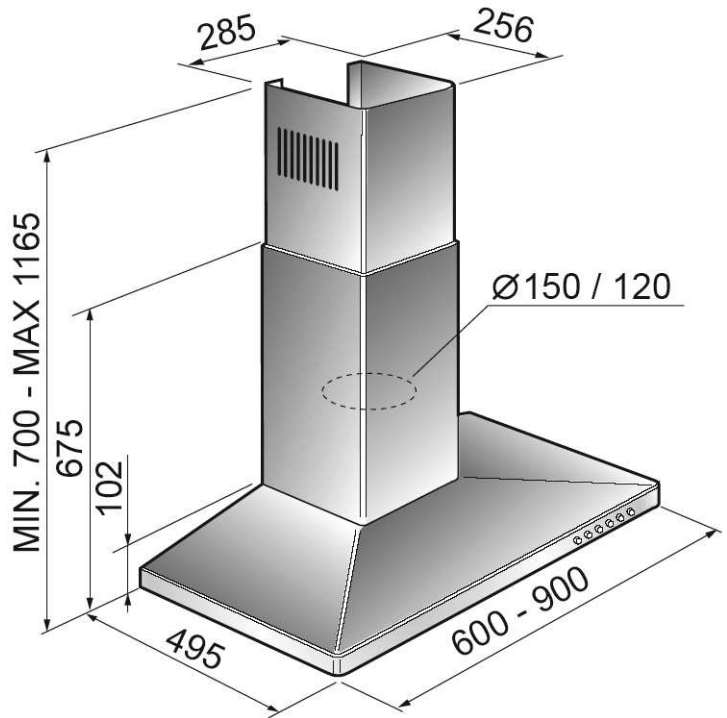
The Range: Wall Canopy Rangehoods

BWC9X/BWC6X

60cm and 90cm Wall Canopy Rangehood

Colour:	Stainless Steel
Method of installation:	Wall mounted
Overall dimensions:	BWC6X: 600W x 495D x 102Hmm BWC9X: 900W x 495D x 102Hmm
Flue cover	
Min:	700mm
Max:	1165mm
Power requirement:	240V 10Amp Power cord fitted
Air flow:	900m ³ /h
Ducting:	Top only or recirculating
Duct Spigot:	150/120mm
Min height above cooktop	
Gas/Electric:	600mm

Optional Carbon Filter: ACK62260
Extension Flue: ACK86273

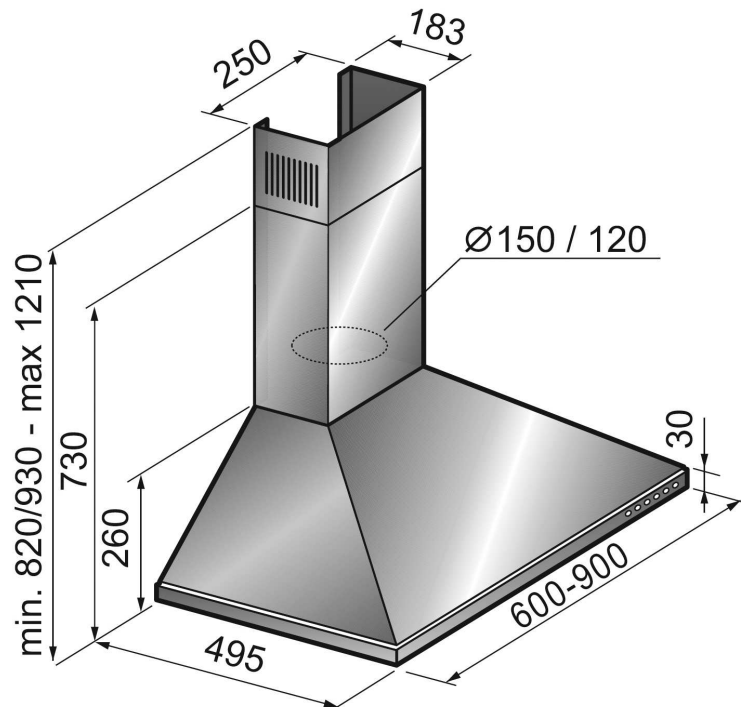


BWCE9X/BWCE6X

60cm and 90cm Wall Canopy Rangehood

Colour:	Stainless Steel
Method of installation:	Wall mounted
Overall dimensions:	BWCE6X: 600W x 495D x 260Hmm BWCE9X: 900W x 495D x 260Hmm
Flue cover	
Min:	755mm
Max:	1100mm
Power requirement:	240V 10Amp Power cord fitted
Air flow:	650m ³ /h
Ducting:	Top only or recirculating
Duct Spigot:	150/120mm
Min height above cooktop	
Gas/Electric:	600mm

Optional Carbon Filter: ACK62836 (pack of 2)
Extension Flue: KIT0010



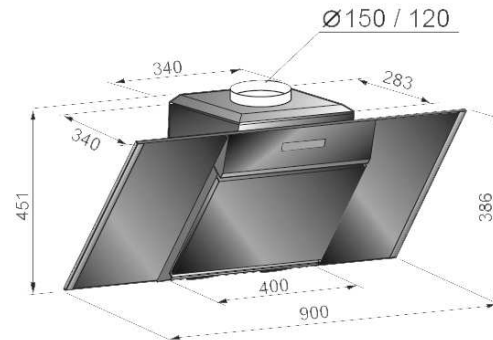
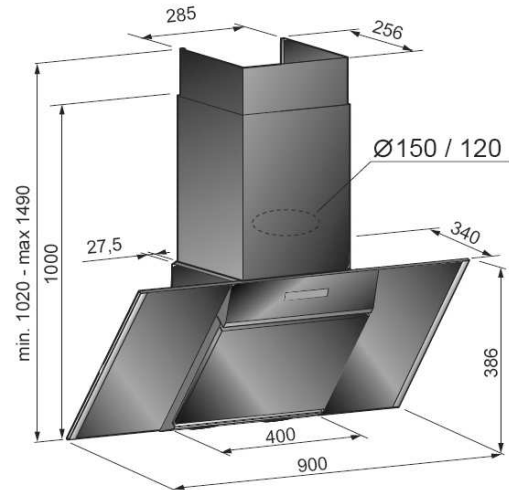
The Range: Wall Canopy Rangehoods

BWC9BX

90cm Black Glass & Stainless Steel Wall Canopy Rangehood

- Colour:** Black Glass & Stainless Steel
- Method of installation:** Wall mounted
- Overall dimensions:** 900W x 340D x 386Hmm
- Flue cover**
Min: 1020mm
Max: 1490mm
- Power requirement:** 240V 10Amp Power cord fitted
- Air flow:** 1200m³/h
- Ducting:** Top only or recirculating
- Duct Spigot:** 150/120mm
- Min height above cooktop**
Gas/Electric: 450mm to the lowest point of the rangehood

Optional Carbon Filter: ACK62260
 Extension Flue: ACK86273

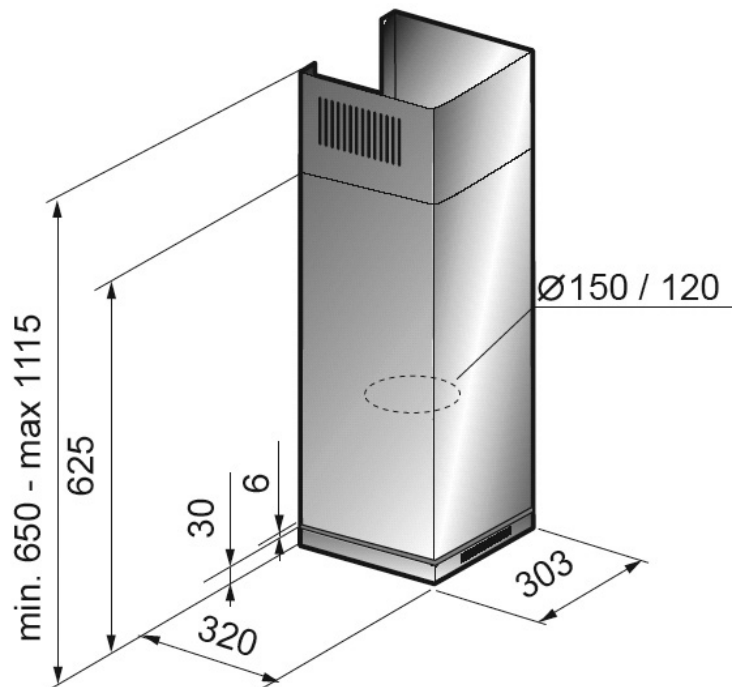


BRC30X

30cm 'Cube' Wall Canopy Rangehood

- Colour:** Stainless Steel
- Method of installation:** Wall Mounted
- Overall dimensions:** 303W x 320D x 650-1115Hmm
- Flue cover**
Min: 650mm
Max: 1115mm
- Power requirement:** 240V 10Amp Power cord fitted
- Air flow:** 650m³/h
- Ducting:** Top only or recirculating
- Duct Spigot:** 150/120mm
- Min height above cooktop**
Gas/Electric: 600mm

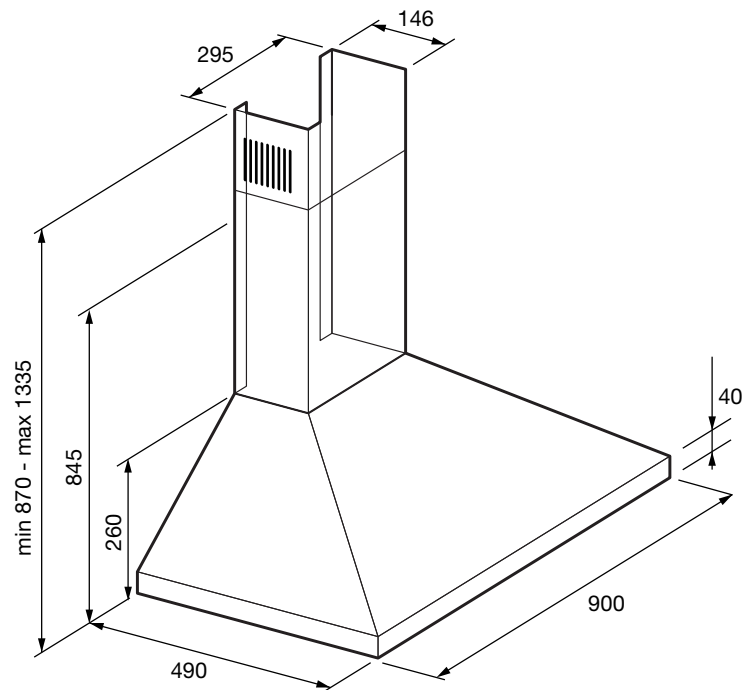
Optional Carbon Filter: ACK62260



The Range: Wall Canopy Rangehoods

BRCS9810X 90cm Wall Canopy

Colour:	Stainless Steel
Method of installation:	Wall mounted
Dimensions:	900W x 490D x 260Hmm
Flue cover	
Min:	870mm
Max:	1335mm
Power requirement:	240V 10Amp Power cord fitted
Air Flow:	800m ³ /h
Ducting:	Top only
Duct Spigot:	125mm
Recirculating:	Optional Carbon Filters Recommended Part # 6093168 (1 required)



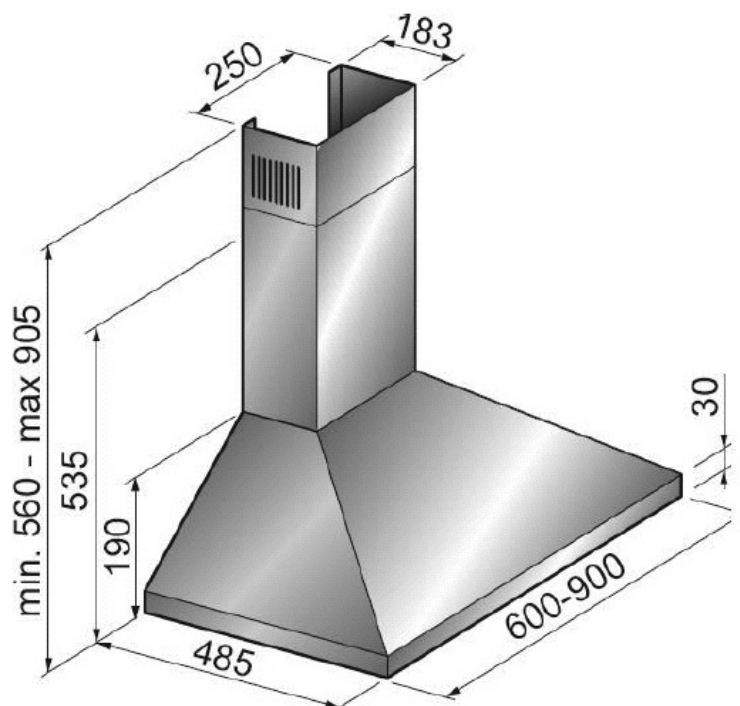
Min height above cooktop
Gas/Electric: 600mm

Exclusive to Narta.

The Range: Promotional Wall Canopy Rangehood

BRCE90X/BRCE60X Wall Canopy

Colour:	Stainless Steel
Method of installation:	Wall mounted - ducted
Dimensions:	
60cm:	600W x 485D x 190Hmm
90cm:	900W x 485D x 190Hmm
Flue cover	
Min:	560mm
Max:	905mm
Power requirement:	240V 10 Amp Power cord fitted
Air Flow:	650m ³ /h
Ducting:	Top only
Duct Spigot:	150/120mm
Min height above cooktop Gas/Electric:	600mm



Extension Flue: KIT0010

The Range: Slide-Out Rangehoods

BRST60X, BRST90X

60cm and 90cm Touch Control

Colour: BRST60X Stainless Steel Aesthetics
BRST90X Stainless Steel Aesthetics

Method of installation: Built into overhead cupboards

Overall dimensions:
BRST60X 259H x 600W x 298Dmm
BRST90X 259H x 900W x 298Dmm

Fascia Height: 30mm

Power requirement: 240V 10Amp Power cord fitted

Air Flow: 650m³/h

Integrated Slide: Extends 155mm

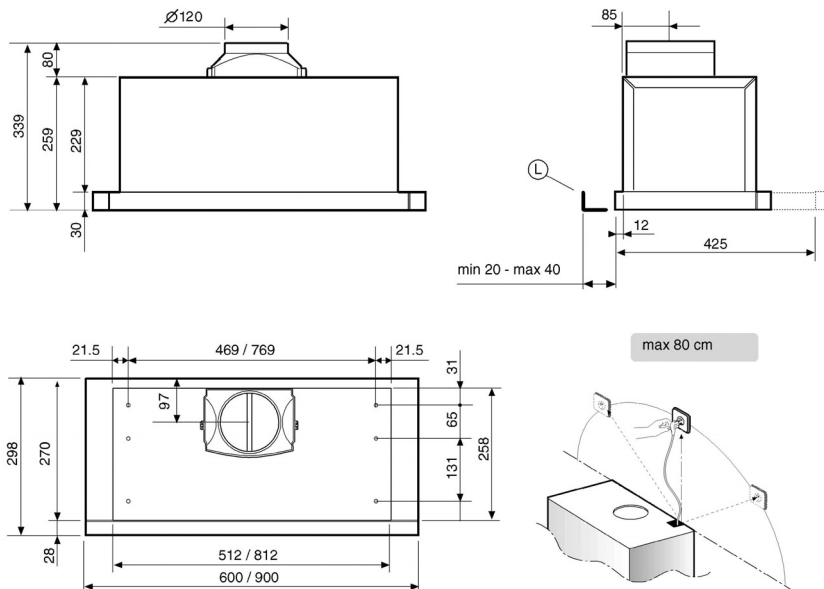
Ducting: Top only

Duct Spigot: 120mm

Recirculating: Through Cupboard
Optional Carbon Filters Recommended
ACK62836 (pack of 2)

Min height above cooktop

Gas/Electric: 600mm



BRSH60X, BRSH90X

60cm and 90cm Slide-Outs

Colour: BRSH60X Stainless Steel Fascia Panel
BRSH90X Stainless Steel Fascia Panel

Method of installation: Built into overhead cupboards

Overall dimensions:
BRSH60X 259H x 600W x 298Dmm
BRSH90X 259H x 900W x 298Dmm

Fascia Height: 30mm

Power requirement: 240V 10Amp Power cord fitted

Air Flow: 650m³/h

Integrated Slide: Extends 150mm

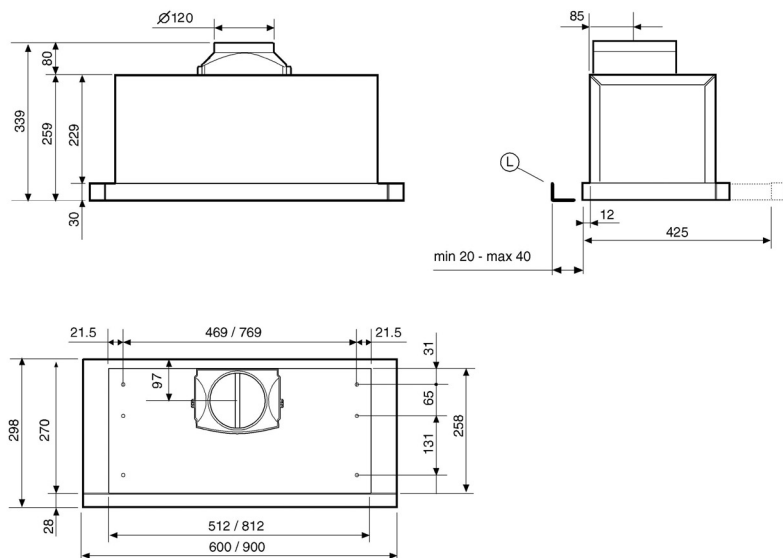
Ducting: Top only

Duct Spigot: 120mm

Recirculating: Through Cupboard
Optional Carbon Filters Recommended
ACK62836 (pack of 2)

Min height above cooktop

Gas/Electric: 600mm



The Range: Slide-Out Rangehoods

BRS60X/W, BRS90X
60cm and 90cm Slide-Outs

Colour: BRS60X Stainless Steel Fascia Panel
BRS60W White Fascia Panel
BRS90X Stainless Steel Fascia Panel

Method of installation: Built into overhead cupboards

Overall dimensions:
BRS60 165H x 600W x 298Dmm
BRS90 165H x 900W x 298Dmm

Fascia Height: 30mm

Power requirement: 240V 10Amp Power cord fitted

Air Flow: 400m³/h

Integrated Slide: Extends 155mm

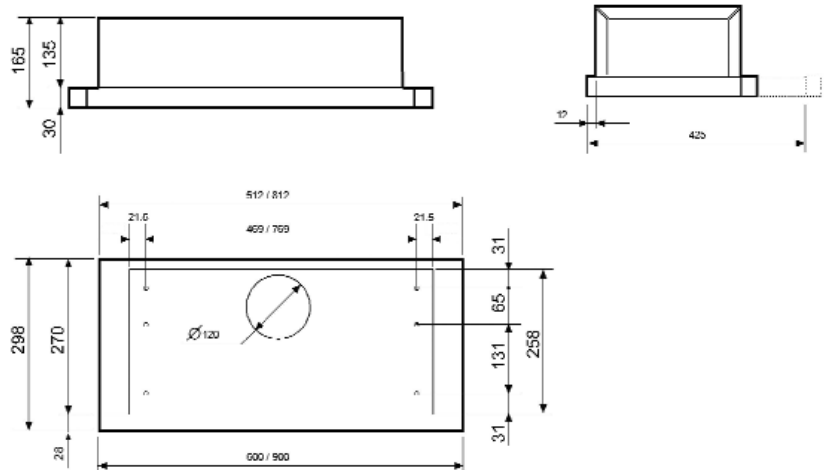
Ducting: Top only

Duct Spigot: 120mm

Recirculating: Through Cupboard
Optional Carbon Filters
Recommended
ACK62836 (pack of 2)

Min height above cooktop

Gas/Electric: 600mm



BRS602X/W, BRS902X/W
60cm and 90cm Tandem Slide-Outs

Colour: BRS602X Stainless Steel Fascia Panel
BRS602W White Fascia Panel
BRS902X Stainless Steel Fascia Panel
BRS902W White Fascia Panel

Method of installation: Built into overhead cupboards

Overall dimensions:
BRS602 165H x 600W x 298Dmm
BRS902 165H x 900W x 298Dmm

Fascia Height: 30mm

Power requirement: 240V 10Amp Power cord fitted

Air Flow: 525m³/h

Integrated Slide: Extends 155mm

Ducting: Top only

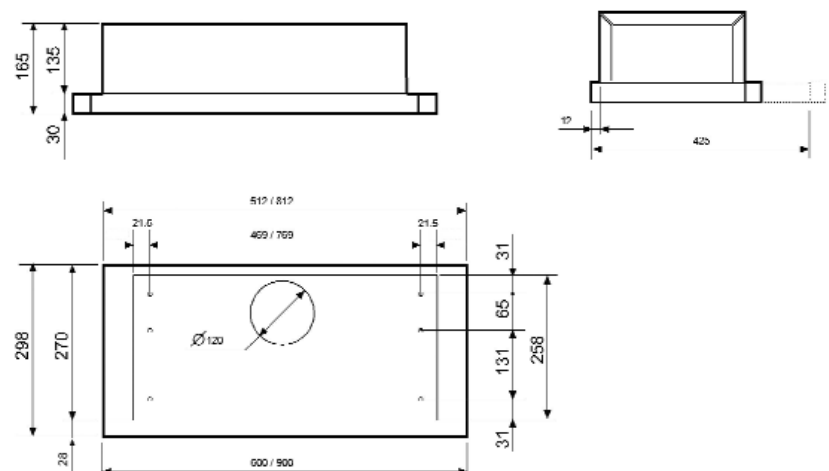
Duct Spigot: 120mm

Recirculating: Through cupboard

Carbon filters: ACK62836 (pack of 2)

Min height above cooktop

Gas/Electric: 600mm

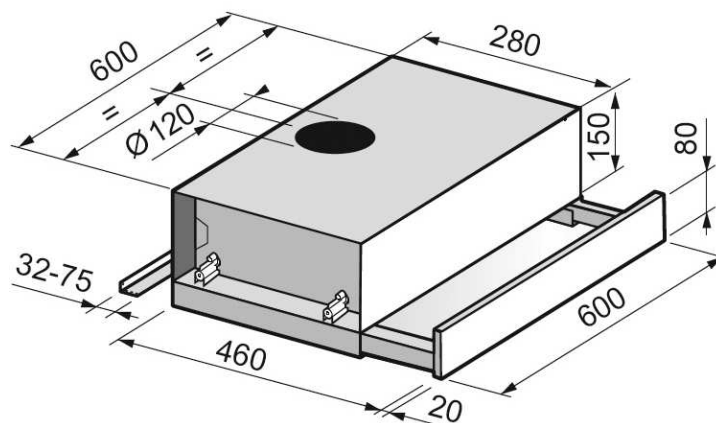


The Range: Slide-Out Rangehoods

BRSR60X

Front Recirculating Slide-Out rangehood

Colour:	Stainless Steel
Method of installation:	Built into overhead cupboards (can be recirculated or ducted)
Overall dimensions:	190H x 600W x 299Dmm
Fascia Height:	80mm
Power requirement:	240V 10Amp
Air Flow:	425m ³ /h
Integrated Slide:	Extends 181mm
Ducting:	Top only ducted or recirculated
Duct Spigot:	120mm
Recirculating:	Carbon Filter fitted as standard for recirculating installation - please remove if rangehood is ducted



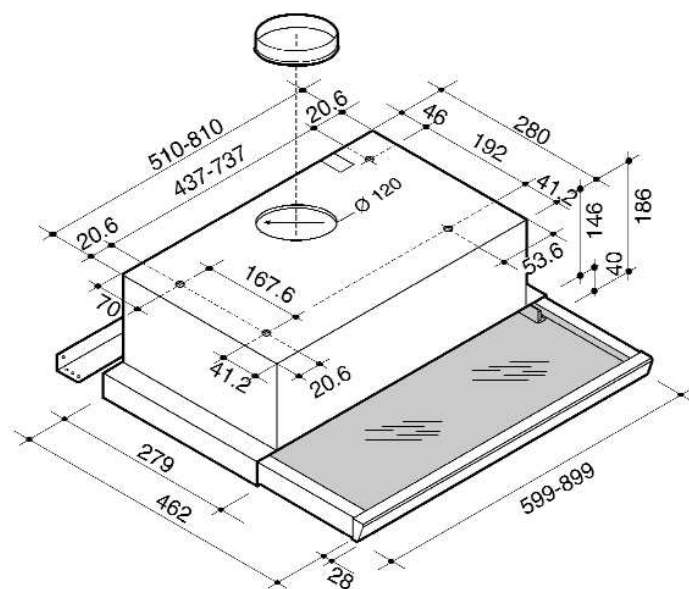
Min height above cooktop

Gas:	650mm
Electric:	600mm

BRS60PX

60cm Slide out rangehood

Colour:	Stainless Steel Fascia Panel
Method of installation:	Built into overhead cupboards
Overall dimensions:	186H x 599W x 307Dmm
Fascia Height:	40mm
Power requirement:	240V 10Amp power cord fitted
Air Flow:	400m ³ /h
Integrated Slide:	Extends 183mm
Ducting:	Top only
Duct Spigot:	120mm
Recirculating:	Through Cupboard Optional Carbon Filters Recommended ACK62836



Min height above cooktop

Gas/Electric:	600mm
----------------------	-------

N.B. Model from Blanco Classic range

The Range: Slimline Rangehoods

BRF61, BRF62X, BRF92X

60cm & 90cm cabinet (Single motor & Twin motor)

Colour:

Single Motor - 60cm

Model BRF61X: Stainless Steel
Model BRF61W: White

Twin Motor - 60cm

Model BRF62X: Stainless Steel

Twin Motor - 90cm

Model BRF92X: Stainless Steel

Method of installation: Wall or undercupboard mounted

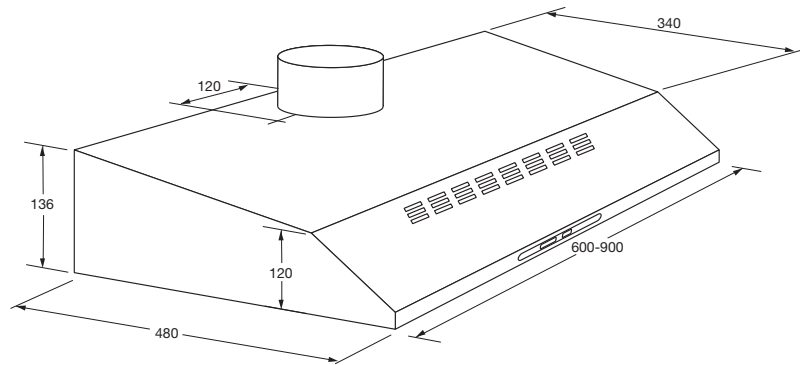
Dimensions: 60cm - 136H x 600W x 480Dmm
90cm - 136H x 900W x 480Dmm

Power requirement: 240V 10Amps

Air Flow:

Single Motor: 350m³/h
Twin Motor: 500m³/h

Ducting: Top or recirculating



Duct Spigot: 120mm

Recirculating: Optional Carbon Filters Recommended
Part # ACK62836

Min height above cooktop Gas/Electric: 600mm

The Range: Undercupboard Rangehoods

BRU120X

120cm Under cupboard

Colour: Stainless Steel

Method of installation: Built into overhead cupboards

Cutout/Overall dimensions: 1162H x 468W x 292Dmm

Power requirement: 240V 10Amp Power cord fitted

Air Flow

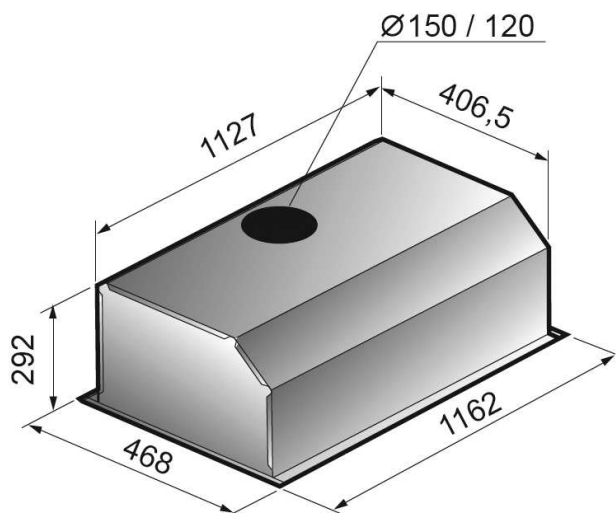
Single Motor: 1200m³/h

Ducting: Top only

Duct Spigot: 150/120mm

Recirculating: Through Cupboard
Optional Carbon Filters Recommended
ACK62836

Min height above cooktop Gas/Electric: 600mm

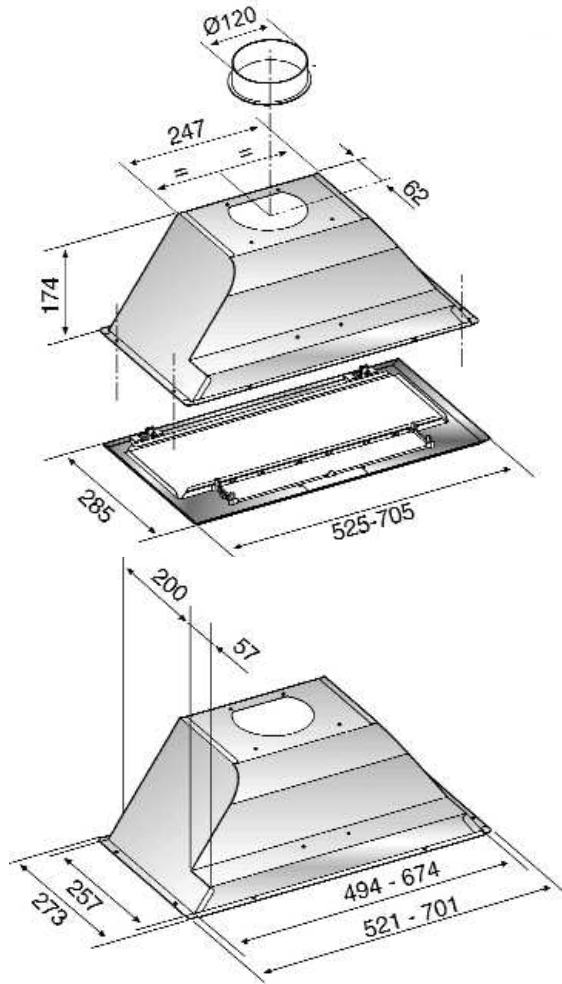


The Range: Undercupboard Rangeshods

BRU5G, BRU7G

52cm and 70cm Undercupboard, Fully Integrated

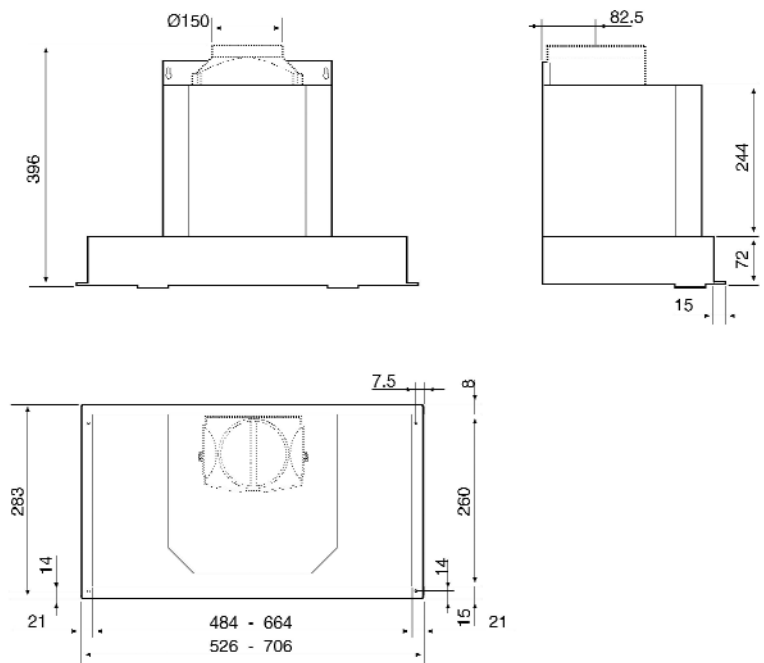
- Colour:** Grey
- Method of installation:** Built into overhead cupboards
- Overall dimensions:**
 BRU5G 174H x 525W x 285Dmm
 BRU7G 174H x 705W x 285Dmm
- Power requirement:** 240V 10Amp
- Air Flow:** 450m³/h
- Ducting:** Top only
- Duct Spigot:** 120mm
- Recirculating:** Through Cupboard
 Optional Carbon Filters
 Recommended
 ACK62836 (pack of 2)
- Min height above cooktop**
Gas/Electric: 600mm



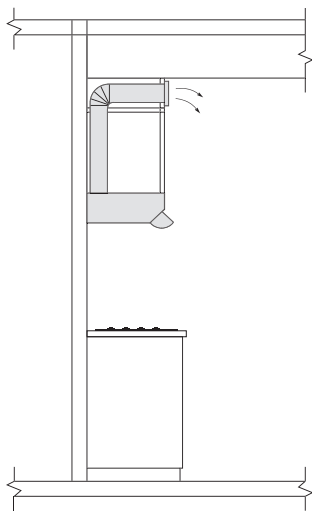
BRU53X, BRU70X

53cm and 70cm Undercupboard, Fully Integrated

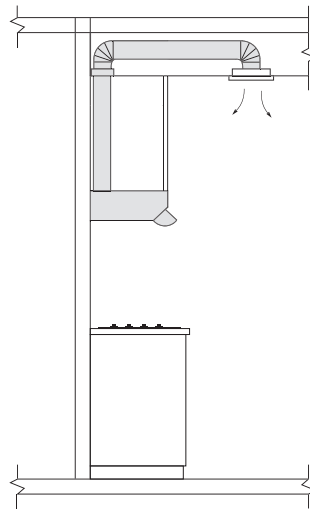
- Colour:** BRU53X Stainless Steel Aesthetics
 BRU70X Stainless Steel Aesthetics
- Method of installation:** Built into overhead cupboards
- Overall dimensions:**
 BRU53X 396H x 526W x 283Dmm
 BRU70X 396H x 706W x 283Dmm
- Power requirement:** 240V 10Amps
- Air Flow:** 650m³/h
- Ducting:** Top only
- Duct Spigot:** 150/120mm
- Recirculating:** Through Cupboard
 Optional Carbon Filters
 Recommended
 ACK62260
- Min height above cooktop**
Gas/Electric: 600mm



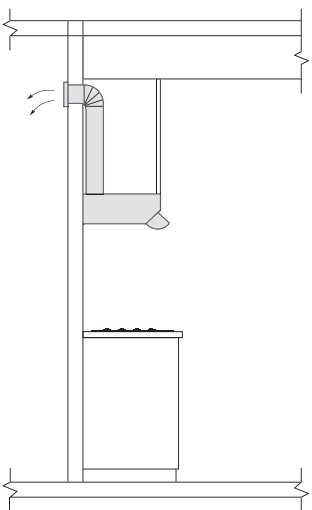
Rangehoods Installation



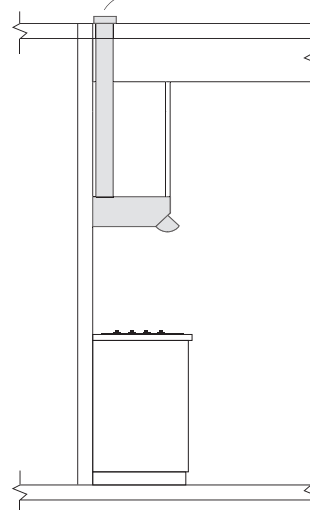
Recirculated to kitchen area via bulkhead



Recirculated to kitchen area via ceiling cavity



Ducted to atmosphere through wall



Ducted to atmosphere through roof

Rangehood Installation

Exercise care when a rangehood is installed in an area where a gas burner is operating. Depending on the size of the room, the rangehood may draw from the room air that is necessary for proper combustion of the burner.

All Blanco rangehoods are used for indoor application only.

Rangehoods may be ducted in two ways:

1. Ducted to the atmosphere (outside).
2. Recirculating.

We recommend ducting to the atmosphere to ensure optimum performance. Recirculating the air back into the room should only be used when outside extraction is not possible.

To ensure maximum performance when ducting it is important the ducting that carries the fumes away, be as short and as straight as possible.

Overhead Clearances

Any combustible construction, rangehood or exhaust fan shall be installed in accordance with the manufacturers instructions. However, in no case shall the clearance between the highest part of the HOB of the cooking appliance (including trivets for gas cookers) and a rangehood be less than 600mm or, for an overhead exhaust fan, 750mm.

When incorporating a rangehood in the design of a kitchen the following points need to be considered to achieve the most benefit from the rangehood.

1. Ducting from a rangehood carrying the exhaust air, should not exceed a length of three (3) metres.
2. For ducted installation we recommend using galvanised or similar metal type flue pipe. **PVC pipe is not recommended.**
3. Ducting containing a 90° degree bend will encounter a loss in efficiency of approximately 35%. Additional 90° degree bends can cause losses of up to 15% per bend.
4. Ducting size should always comply with the manufacturers specification.
5. We recommend carbon filters be used when recirculating the air into the room. There will be some loss of air movement when carbon filters are fitted.

The Range: Freestanding Dishwashers

BFD4/5/6

Freestanding Dishwasher
60cm cabinet

Colour:

Model BFDW4W/X: White/Stainless Steel
Model BFDW5W/X: White/Stainless Steel
Model BFDW6X: Stainless Steel

Dimensions:

850H x 600W x 570Dmm

Worktop Removed:

820Hmm

Heating element:

2000W

Power requirement:

220-230V - 50Hz 10Amp

Power cord length:

1.75 metres

Water connection:

Cold water supply

Water inlet hose:

1.2 metres

Water pressure:

Min: 50kpa
Max: 1000kpa

Drain hose:

1.65 metres

Model:

4 5 6

Noise level:

49dB 47dB 45dB

Water usage:

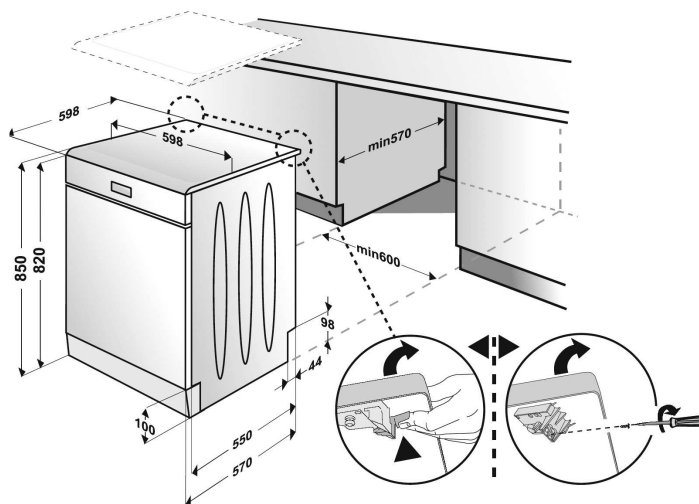
16ltr 13ltr 13ltr

Water rating (WELS):

3 star 4 star 4 star

Energy efficiency:

2 star 2 star 2 star



The Range: Freestanding Dishwashers

BFD8/9/10

Freestanding Dishwasher

60cm cabinet

Colour:

Model BFD8W/X: White/Steel

Model BFD9W/X: White/Steel

Model BFD10X: Steel

Dimensions:

848H x 600W x 600Dmm

Worktop removed:

818Hmm

Heating element:

2000W

Power requirement:

220-230V - 50Hz 10Amp

Power cord length:

1.5 metres

Water connection:

Cold water supply

Water inlet hose:

1.9 metres

Water pressure:

Min: 50kpa

Max: 1000kpa

Drain hose:

1.5 metres

Model:

8 **9** **10**

Noise level:

40dB 39dB 37dB

Water usage:

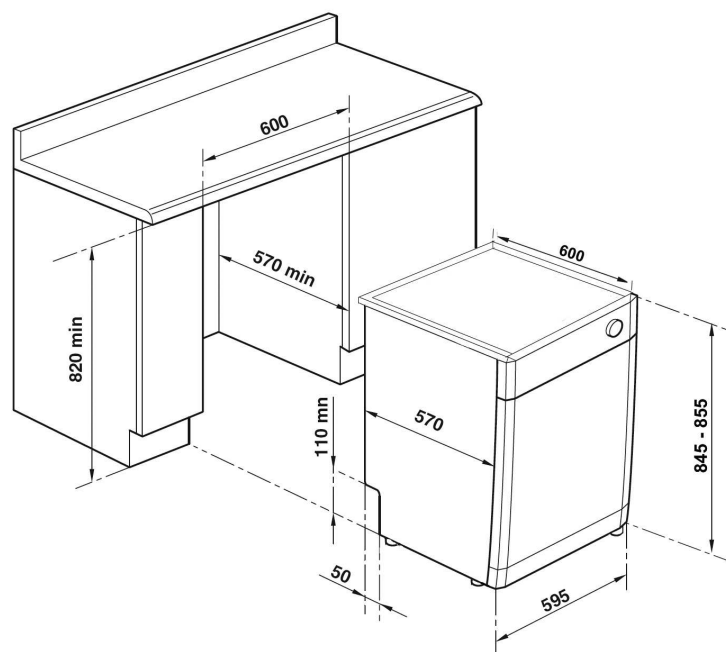
13.9ltr 13.4ltr 14.3ltr

Water rating (WELS):

3½ star 3½ star 3½ star

Energy efficiency:

2½ star 3 star 4 star



The Range: Freestanding Dishwashers

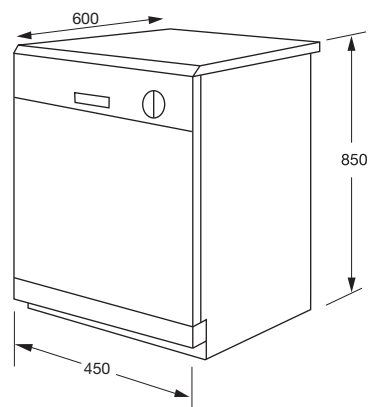
BFD45X

Freestanding Dishwasher
45cm cabinet

Colour:	
Model BFD45X:	Stainless Steel
Dimensions:	850H x 450W x 600Dmm
Heating element:	1900W
Power requirement:	220-240V
Power cord length:	1.5 metres
Water connection:	Cold water supply
Water inlet hose:	1.5 metres
Water pressure	
Min.	0.03Mpa
Max.	0.6Mpa
Drain hose:	1.65 metres
Noise level:	55dB
Water usage:	16ltr
Water rating:	2 star
Energy efficiency:	2 star

◆ Four levelling feet

N.B. Model is from Blanco Classic range



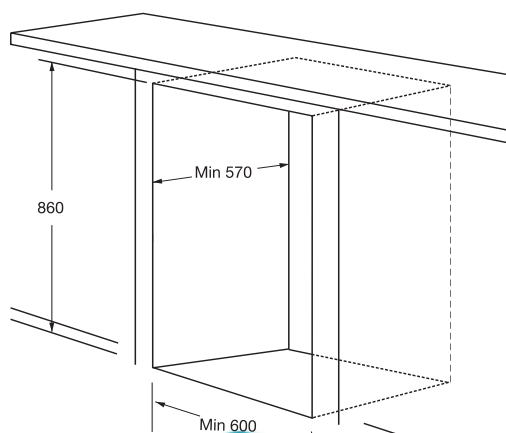
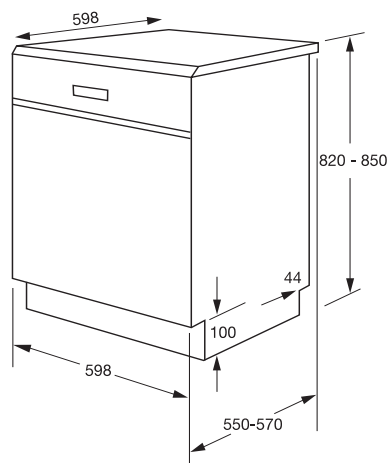
BFDWC65X

Freestanding Dishwasher
60cm cabinet

Colour:	
Model BFDWC65X:	Stainless Steel
Dimensions:	850H x 598W x 598Dmm
Heating element:	1870W
Power requirement:	240V - 50Hz
Power cord length:	1.75 metres
Water connection:	Cold water supply
Water inlet hose:	1.2 metres
Water pressure	
Min.	50Kpa
Max.	1000Kpa
Drain hose:	Maximum length of drain hose must not exceed 4 metres
Noise level:	45dB
Water usage:	15ltr
Water rating:	2½ star
Energy efficiency:	2 star

◆ Four levelling feet

N.B. Model is from Blanco Classic range



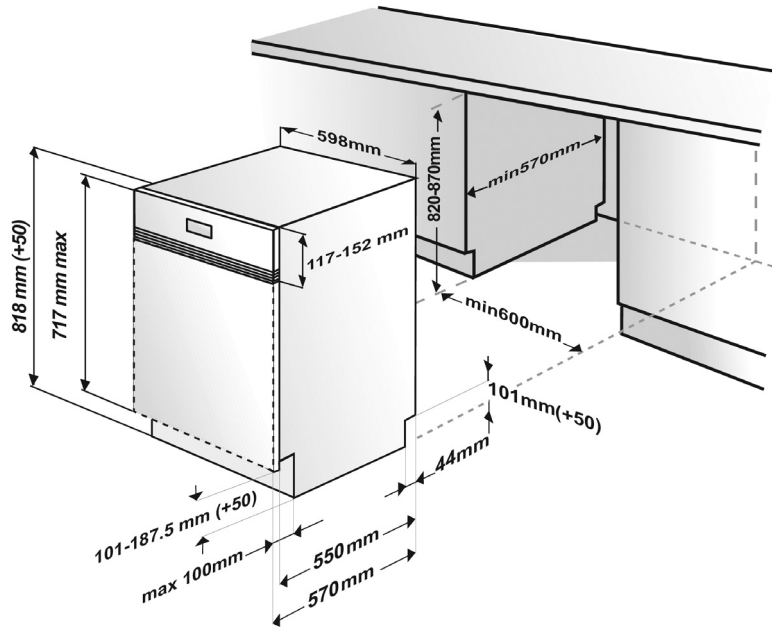
The Range: Semi-Integrated Dishwasher

BSD5X

Semi-Integrated Dishwasher

60cm cabinet

Colour:	Stainless Steel panel
Dimensions:	850H x 600W x 570Dmm
Integrated panel size:	Please refer to installation instruction manual
Heating element:	2000W
Power requirement:	220-240V
Power cord length:	1.75 metres
Water connection:	Cold water supply
Water inlet hose:	1.2 metres
Water pressure:	
Min:	50kpa
Max:	1000kpa
Drain hose:	1.65 metres
Noise level:	48dB
Water usage:	13ltr
Water rating (WELS):	4 star
Energy efficiency:	2 star

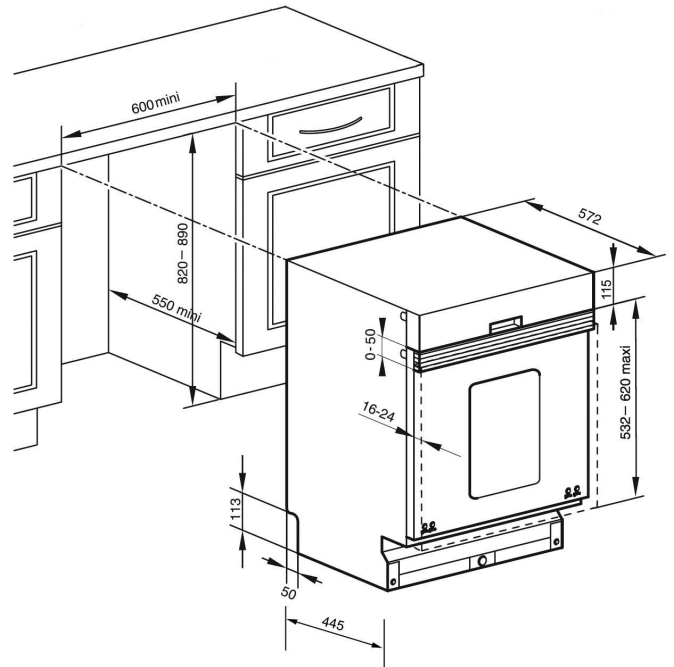


BSD9X

Semi-Integrated Dishwasher

60cm cabinet

Colour:	Steel panel
Dimensions:	848H x 600W x 600Dmm
Integrated panel size:	532-620H x 595Wmm
Worktop removed:	818Hmm
Heating element:	2000W
Power requirement:	220-230V - 50Hz 10Amp
Power cord length:	1.8 metres
Water connection:	Cold water supply
Water inlet hose:	1.8 metres
Water pressure:	
Min:	50kpa
Max:	1000kpa
Drain hose:	1.5 metres
Noise level:	39dB
Water usage:	13.4ltr
Water rating (WELS):	3½ star
Energy efficiency:	3 star

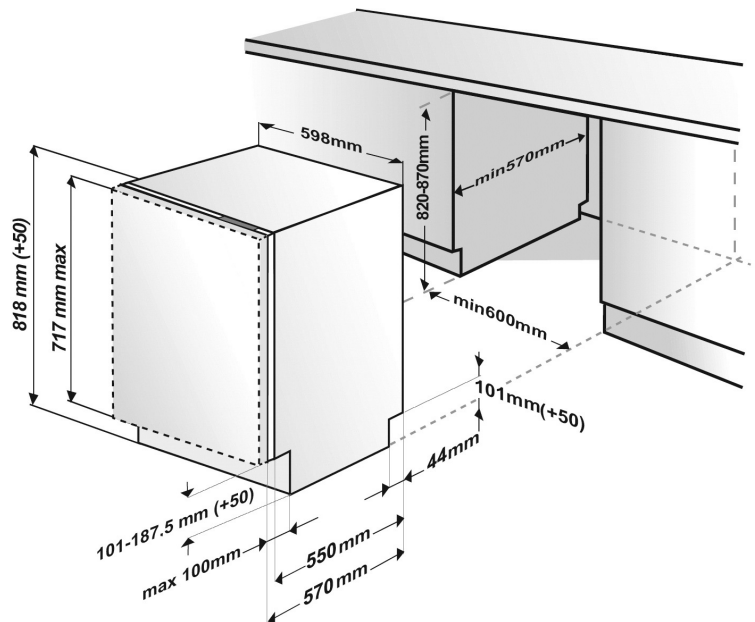


The Range: Integrated Dishwashers

BID7

Fully Integrated Dishwasher
60cm cabinet

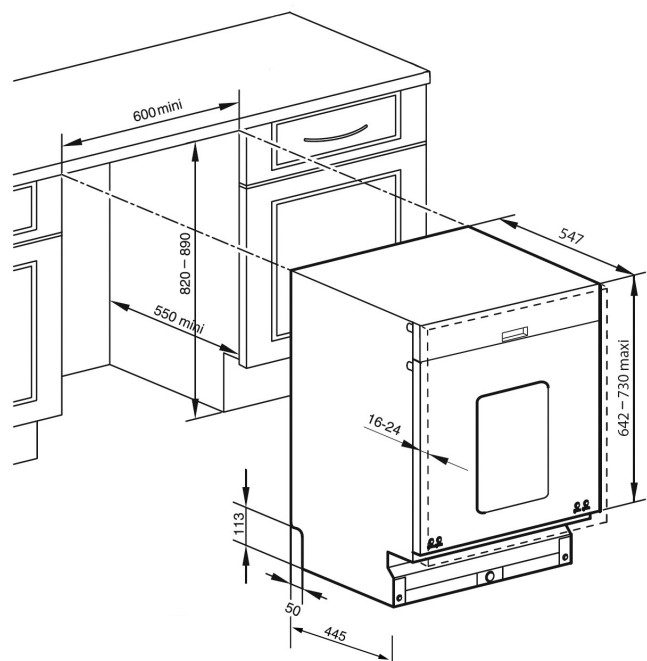
Dimensions:	820H x 600W x 550Dmm
Integrated panel size:	Please refer to installation instruction manual
Heating element:	2000W
Power requirement:	220-240V
Power cord length:	1.75 metres
Water connection:	Cold water supply
Water inlet hose:	1.2 metres
Water pressure:	
Min:	50kpa
Max:	1000kpa
Drain hose:	1.65 metres
Noise level:	51dB
Water usage:	17.4ltr
Water rating (WELS):	2½ star
Energy efficiency:	2 star



BID11

Full Integrated Dishwasher
60cm cabinet

Dimensions:	818H x 595W x 574Dmm
Integrated panel size:	642-730H x 595Wmm
Heating element:	2000W
Power requirement:	220-230V - 50Hz 10Amp
Power cord length:	1.8 metres
Water connection:	Cold water supply
Water inlet hose:	1.8 metres
Water pressure:	
Min:	50kpa
Max:	1000kpa
Drain hose:	1.5 metres
Noise level:	39dB
Water usage:	13.4ltr
Water rating (WELS):	3½ star
Energy efficiency:	3 star



The Range: Front Load Washing Machines

BFW612

6kg Front Load Washing Machine

Colour:

Model BFW612: White

Dimensions:

850H x 600W x 540Dmm

Capacity:

6kg

Net weight:

72kg

Spin speed:

Variable spin speeds up to 1200rpm

Drum volume:

51litres

Power requirement:

240V - 50Hz -10Amp

Cold intake hose length: 1.4 metres

Hot intake hose length: 1.4 metres Maximum 60°C

Drain hose: 1.4 metres

Water connection:

Hot and cold connection
Cold water supply recommended
(up to 25°C)

Water inlet hose:

Should be placed between 40cm and 100cm from the ground

Energy efficiency:

2 star

Water rating:

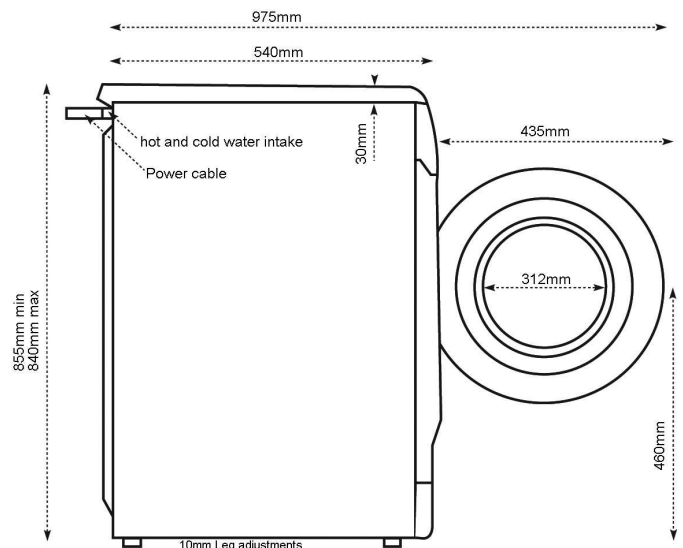
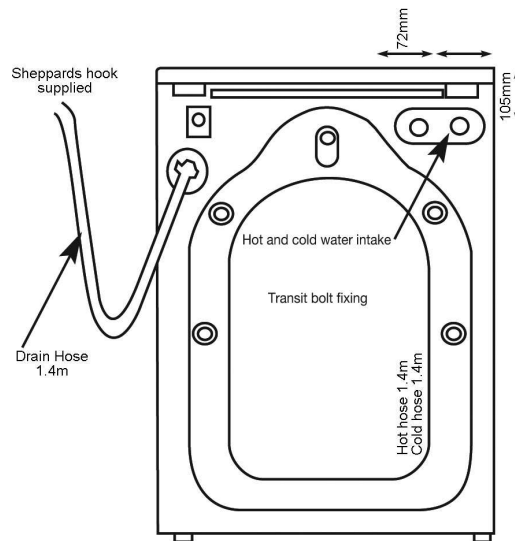
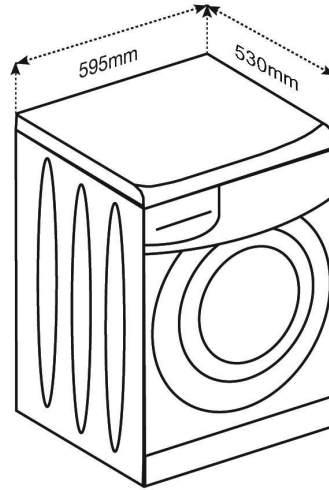
4 star

12 program settings

- Cotton (Cold, 30, 40, 50, 60, 70, 80, 90)°C
- Intensive (40, 50, 60)°C
- Intensive + (40, 50, 60, 70, 80, 90)°C
- Eco 40°C
- Synthetics (Cold, 30, 40, 50, 60)°C
- Delicate (Cold, 30, 40)°C
- Woollen (Cold, 30, 40)°C
- Handwash (Cold, 30)°C
- Quick30 (Cold, 30)°C
- Rinse
- Drain
- Spin

Auxiliary Functions

- Prewash
- Extra Rinse
- Quick Wash
- Anti-Creasing



The Range: Front Load Washing Machines

BFW616

6kg Front Load Washing Machine

Colour:

Model BFW616: White

Dimensions:

850H x 600W x 540Dmm

Capacity:

6kg

Net weight:

77kg

Spin speed:

Variable spin speeds up to 1600rpm

Drum volume:

51litres

Power requirement:

240V - 50Hz -10Amp

Cold intake hose length: 1.4 metres

Hot intake hose length: 1.4 metres Maximum 60°C

Drain hose: 1.4 metres

Water connection:

Hot and cold connection
Cold water supply recommended
(up to 25°C)

Water inlet hose:

Should be placed between 40cm and 100cm from the ground

Energy efficiency:

2 star

Water rating:

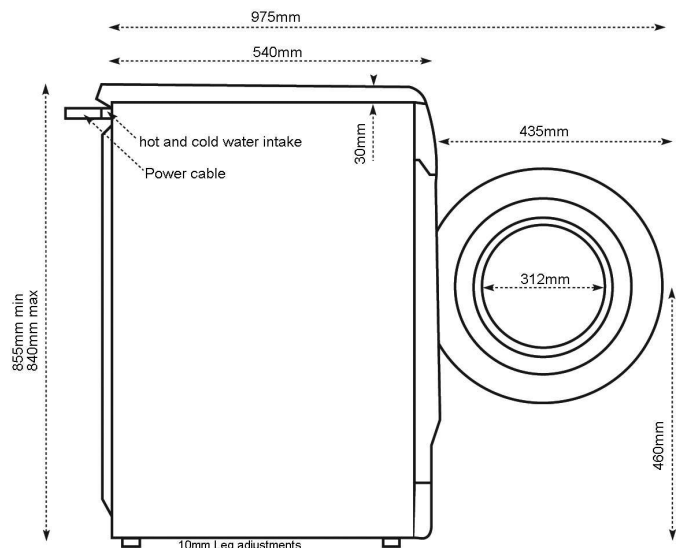
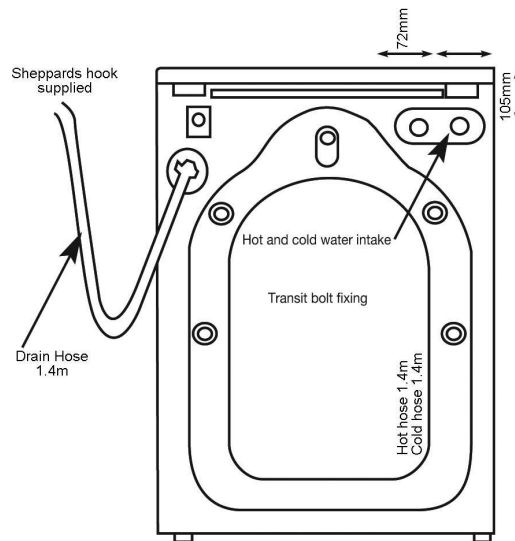
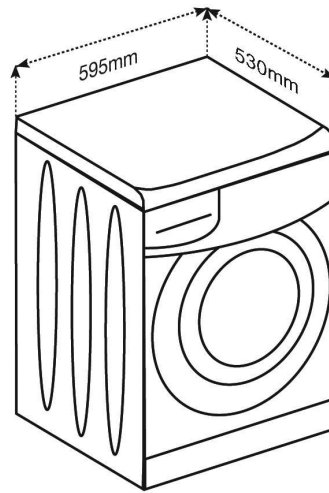
4 star

12 program settings

- Cotton (Cold, 30, 40, 50, 60, 70, 80, 90)°C
- Intensive (40, 50, 60)°C
- Intensive + (40, 50, 60, 70, 80, 90)°C
- Eco 40°C
- Synthetics (Cold, 30, 40, 50, 60)°C
- Delicate (Cold, 30, 40)°C
- Woollen (Cold, 30, 40)°C
- Handwash (Cold, 30)°C
- Quick30 (Cold, 30)°C
- Rinse
- Drain
- Spin

Auxiliary Functions

- Prewash
- Rinse Plus
- Quick Wash
- Anti-Creasing



The Range: Front Load Washing Machines

BFW712

7kg Front Load Washing Machine

Colour:

Model BFW712: White

Dimensions:

850H x 600W x 540Dmm

Capacity:

7kg

Net weight:

77kg

Spin speed:

Variable spin speeds up to 1200rpm

Drum volume:

55.6litres

Power requirement:

240V - 50Hz -10Amp

Cold intake hose length: 1.4 metres

Hot intake hose length: 1.4 metres Maximum 60°C

Drain hose: 1.4 metres

Water connection:

Hot and cold connection
Cold water supply recommended
(up to 25°C)

Water inlet hose:

Should be placed between 40cm and 100cm from the ground

Energy efficiency:

2½ star

Water rating:

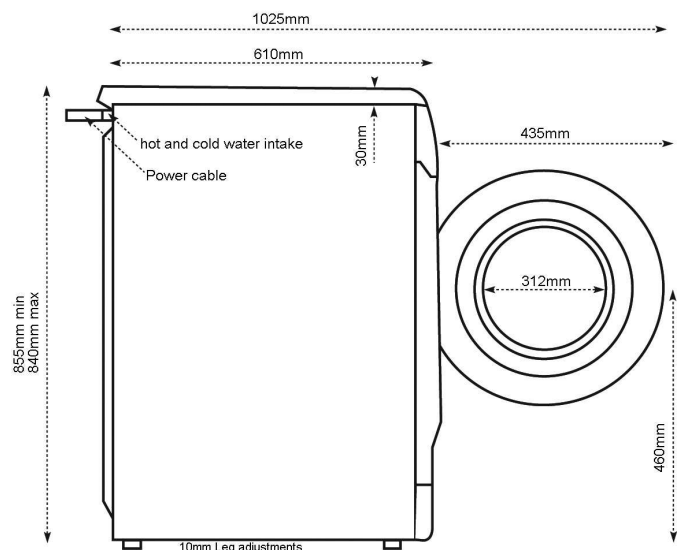
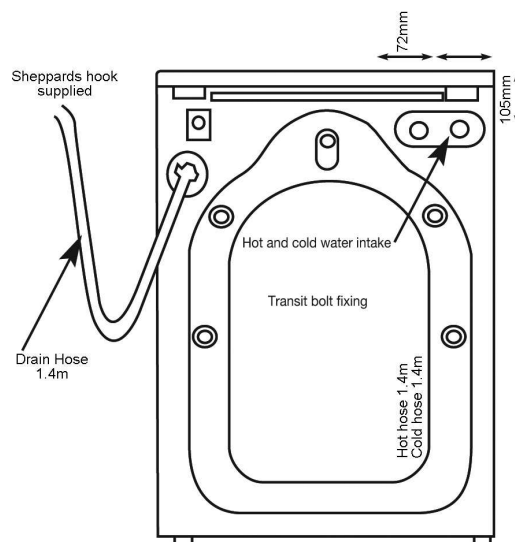
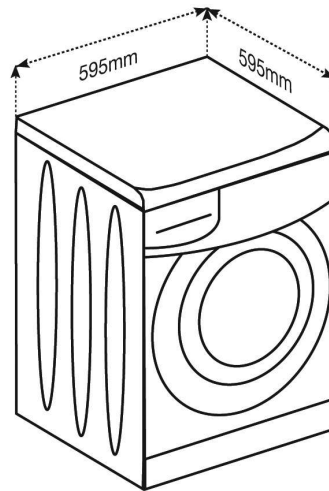
4 star

12 program settings

- Cotton (Cold, 30, 40, 50, 60, 70, 80, 90)°C
- Intensive (40, 50, 60)°C
- Intensive + (40, 50, 60, 70, 80, 90)°C
- Eco 40°C
- Synthetics (Cold, 30, 40, 50, 60)°C
- Delicate (Cold, 30, 40)°C
- Woollen (Cold, 30, 40)°C
- Handwash (Cold, 30)°C
- Quick30 (Cold, 30)°C
- Rinse
- Drain
- Spin

Auxiliary Functions

- Prewash
- Extra Rinse
- Quick Wash
- Anti-Creasing



The Range: Front Load Washing Machines

BFW716

7kg Front Load Washing Machine

Colour:

Model BFW716: White

Dimensions:

850H x 600W x 540Dmm

Capacity:

7kg

Net weight:

77kg

Spin speed:

Variable spin speeds up to 1600rpm

Drum volume:

55.6litres

Power requirement:

240V - 50Hz -10Amp

Cold intake hose length: 1.4 metres

Hot intake hose length: 1.4 metres Maximum 60°C

Drain hose: 1.4 metres

Water connection:

Hot and cold connection
Cold water supply recommended
(up to 25°C)

Water inlet hose:

Should be placed between 40cm and 100cm from the ground

Energy efficiency:

2½ star

Water rating:

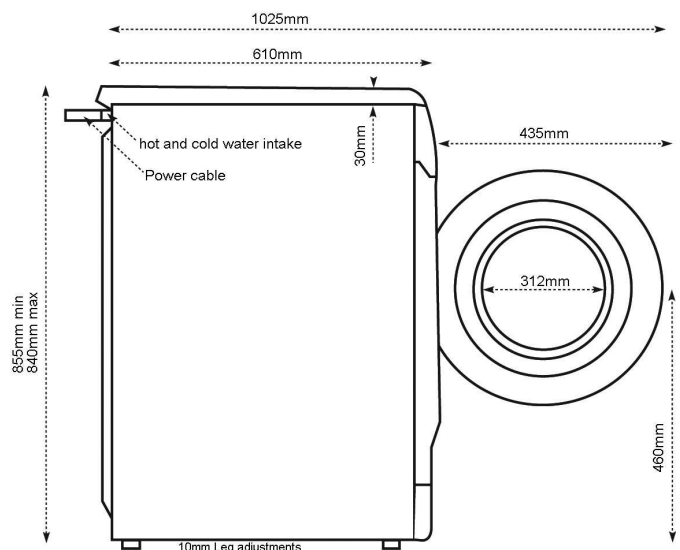
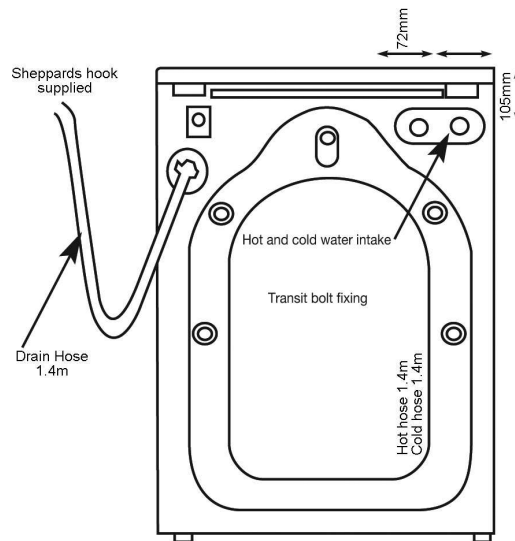
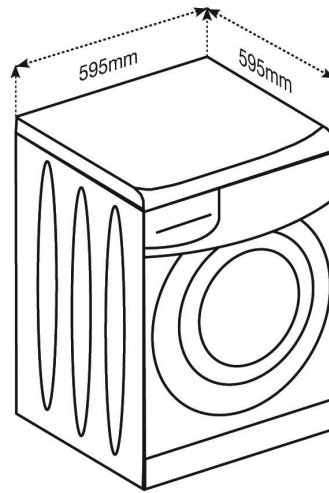
4 star

12 program settings

- Cotton (Cold, 30, 40, 50, 60, 70, 80, 90)°C
- Intensive (40, 50, 60)°C
- Intensive + (40, 50, 60, 70, 80, 90)°C
- Eco 40°C
- Synthetics (Cold, 30, 40, 50, 60)°C
- Delicate (Cold, 30, 40)°C
- Woolen (Cold, 30, 40)°C
- Handwash (Cold, 30)°C
- Quick30 (Cold, 30)°C
- Rinse
- Drain
- Spin

Auxiliary Functions

- Prewash
- Rinse Plus
- Quick Wash
- Anti-Creasing



The Range: Sensor Dryer

BVSD6

6kg Sensor Dryer

Colour:

Model BVSD6: White

Dimensions:

850H x 595W x 540Dmm

Capacity:

6kg

Net weight:

29kg

Drum volume:

104litres

Power requirement:

240V - 50Hz - 10Amp

Programs:

11

Energy efficiency:

2 star

Venting:

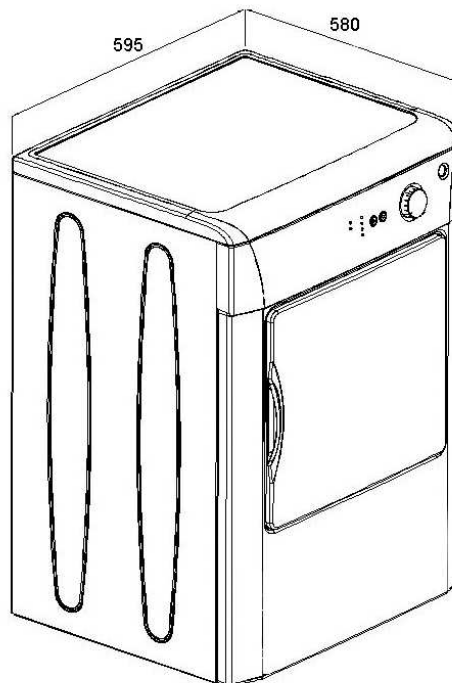
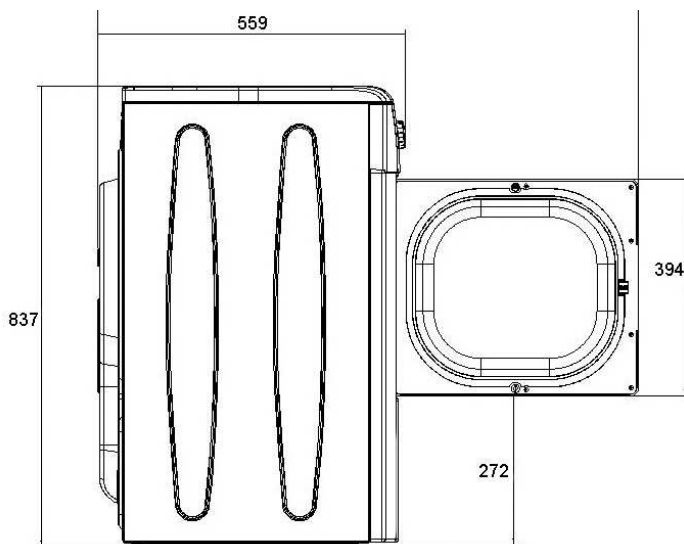
External

Noise Level:

66dB

Features:

- Program follower
- End of cycle buzzer
- Anti-creasing
- Easy access filter
- Child lock
- Stainless Steel drum
- Filter cleaning indicator



The Range: Sinks - Claron

BLANCOCLARON400

CLARON400

Large single bowl

Colour:

Model CLARON400: 18/10 Stainless Steel

Dimensions:

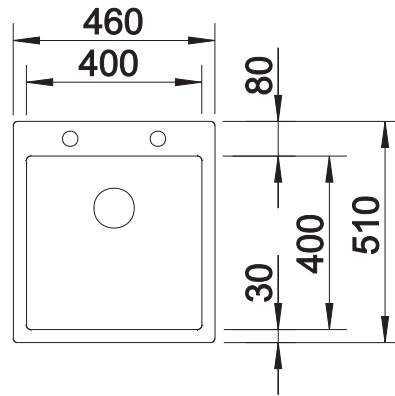
460 x 510mm

Bowl Depth:

190mm

Cutout size:

440 x 490mm (10mm Radius Corners)



BLANCOCLARON700

CLARON700

Large single bowl

Colour:

Model CLARON700: 18/10 Stainless Steel

Dimensions:

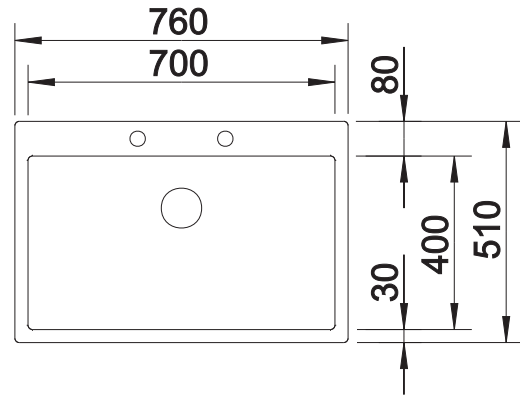
760 x 510mm

Bowl Depth:

190mm

Cutout size:

740 x 490mm (10mm Radius Corners)



BLANCOCLARON400/400

CLARON400/400

Double Bowl

Colour:

Model CLARON400/400: 18/10 Stainless Steel

Dimensions:

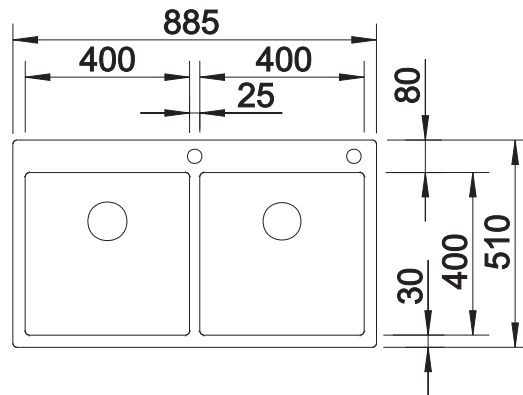
885 x 510mm

Tray Depth:

190mm

Cutout size:

865 x 490mm (10mm Radius Corners)



The Range: Sinks - Claron

BLANCOCLARON5S

CLARON5S

Large single bowl plus drainer tray

Colour:

Model CLARON5S: 18/10 Stainless Steel

Dimensions:

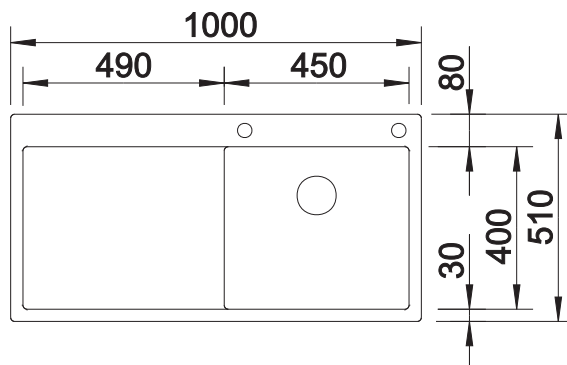
1000 x 510mm

Bowl Depth:

190mm

Cutout size:

980 x 490mm (10mm Radius Corners)



BLANCOCLARON6S

CLARON6S

1 1/3 bowl plus drainer tray

Colour:

Model CLARON6S: 18/10 Stainless Steel

Dimensions:

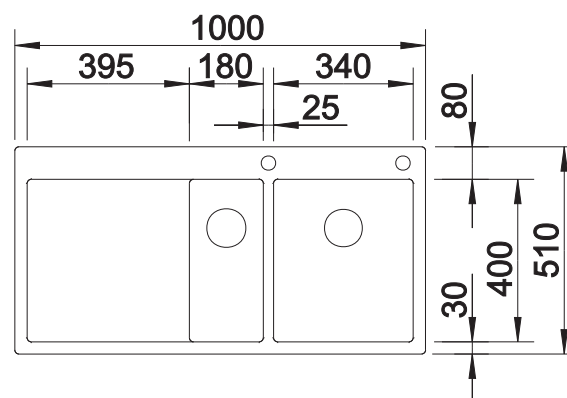
1000 x 510mm

Bowl Depth:

190 and 130mm

Cutout size:

980 x 490mm (10mm Radius Corners)



BLANCOCLARON8S

CLARON8S

1 3/4 bowl plus drainer tray

Colour:

Model CLARON8S: 18/10 Stainless Steel

Dimensions:

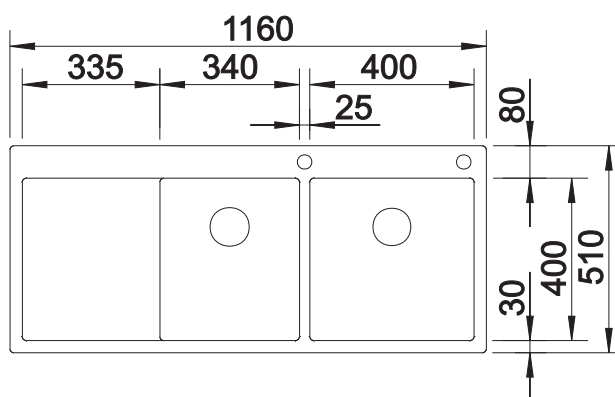
1160 x 510mm

Bowl Depth:

190mm

Cutout size:

1140 x 490mm (10mm Radius Corners)



The Range: Sinks - Clarox Undermount

BLANCOCLAROX340U

CLAROX340U

Large single bowl

Colour:

Model CLAROX340U: 18/10 Stainless Steel

Dimensions:

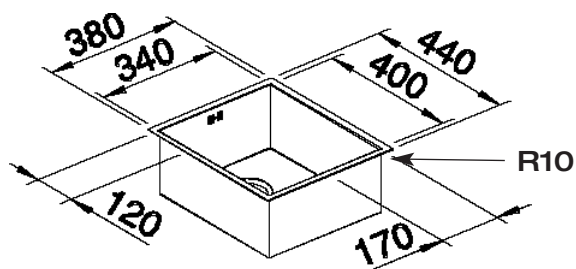
380 x 440mm

Bowl Depth:

190mm

Cutout size:

340 x 400mm (10mm Radius Corners)



BLANCOCLAROX180U

CLAROX180U

Large colander bowl

Colour:

Model CLAROX180U: 18/10 Stainless Steel

Dimensions:

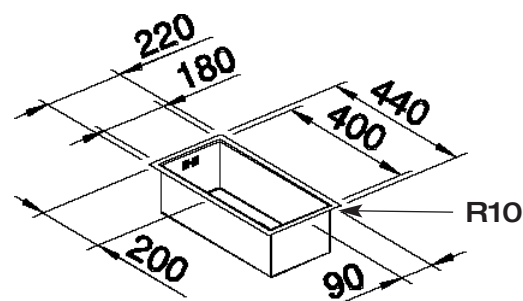
220 x 440mm

Bowl Depth:

130mm

Cutout size:

180 x 400mm (10mm Radius Corners)



BLANCOCLAROX550TU

CLAROX550TU

Drainer tray

Colour:

Model CLAROX550TU: 18/10 Stainless Steel

Dimensions:

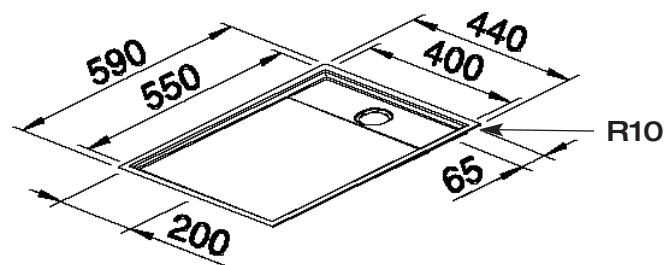
590 x 440mm

Tray Depth:

18mm

Cutout size:

550 x 400mm (10mm Radius Corners)



The Range: Sinks - Zerox Undermount

BLANCOZEROX340U

ZEROX340U

Large single bowl

Colour:

Model ZEROX340U: 18/10 Stainless Steel

Dimensions:

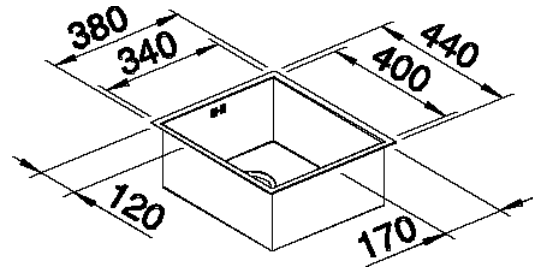
380 x 440mm

Bowl Depth:

175mm

Cutout size:

340 x 400mm



BLANCOZEROX180U

ZEROX180U

Large colander bowl

Colour:

Model ZEROX180U: 18/10 Stainless Steel

Dimensions:

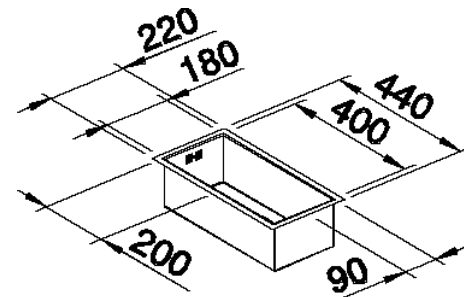
220 x 440mm

Bowl Depth:

130mm

Cutout size:

180 x 400mm



BLANCOZEROX550TU

ZEROX550TU

Drainer tray

Colour:

Model ZEROX550TU: 18/10 Stainless Steel

Dimensions:

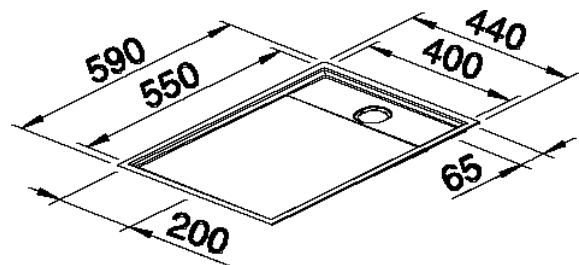
590 x 440mm

Tray Depth:

18mm

Cutout size:

550 x 400mm



BLANCOZEROX340/340U

ZEROX340/340U

Double bowl

Colour:

Model ZEROX340/340U: 18/10 Stainless Steel

Dimensions:

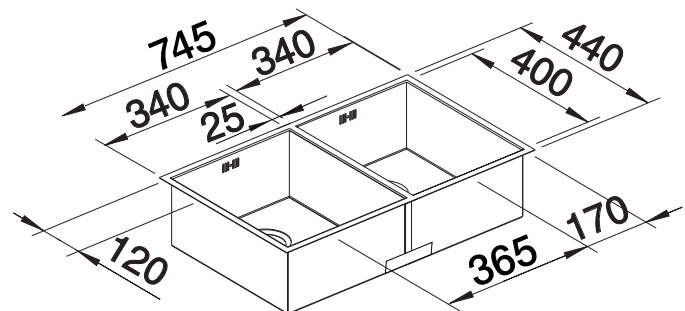
745 x 440mm

Bowl Depth:

175mm

Cutout size:

705 x 400mm



The Range: Sinks - Niagara Undermount

BLANCONIAGARAU1

NIAGARAU1

1 ¾ bowl

Colour:

Model NIAGARAU1: 18/10 Stainless Steel

Dimensions:

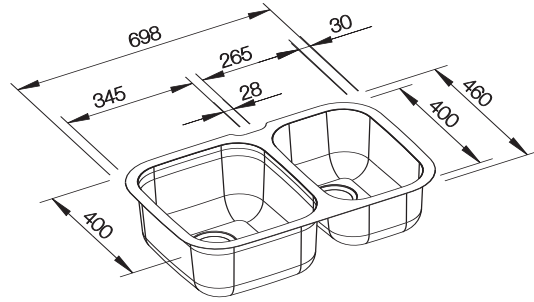
698 x 460mm

Bowl Depths:

190 & 165mm

Cutout size:

Templates supplied



BLANCONIAGARAU2

NIAGARAU2

Double bowl

Colour:

Model NIAGARAU2: 18/10 Stainless Steel

Dimensions:

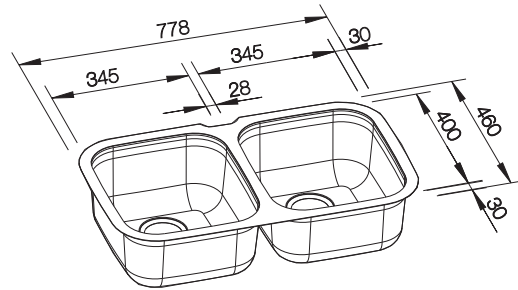
778 x 460mm

Bowl Depths:

190mm

Cutout size:

Templates supplied



BLANCONIAGARAU3

NIAGARAU3

1 ¼ bowl

Colour:

Model NIAGARAU3: 18/10 Stainless Steel

Dimensions:

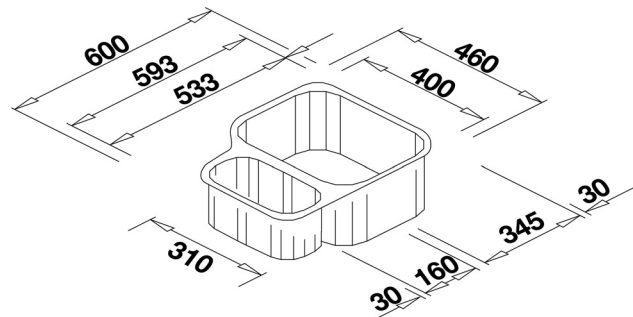
600 x 460mm

Bowl Depths:

190 and 130mm

Cutout size:

Templates supplied



The Range: Sinks - Undermount

BLANCOSUPREMEU1

SUPREMEU1

90cm cabinet

Colour:

Model SUPREMEU1: 18/10 Stainless Steel

Dimensions:

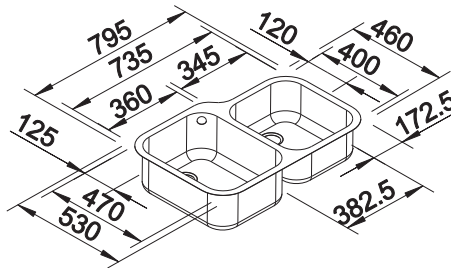
795 x 530mm

Bowl Depths:

190 and 165mm

Cutout size:

Template supplied
(80mm radius corners)



BLANCOWAVEU3

WAVEU3

90cm cabinet

Colour:

Model WAVEU3: 18/10 Stainless Steel

Dimensions:

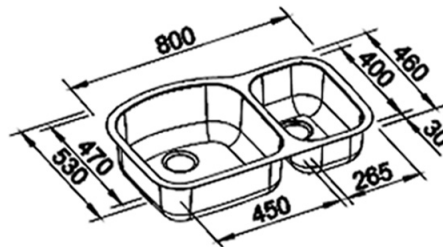
800 x 530mm

Bowl Depths:

190 and 150mm

Cutout size:

Template supplied
(80mm radius corners)



BLANCOSUPRA550TU

SUPRA550TU

Colour:

Model SUPRA550TU: 18/10 Stainless Steel

Dimensions:

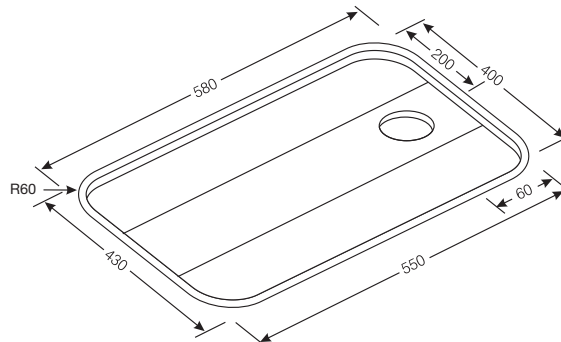
580 x 430mm

Depth:

18mm

Cutout size:

Template supplied
(60mm radius corners)



The Range: Sinks - Undermount

BLANCOGAMMA

MU1

Large bowl

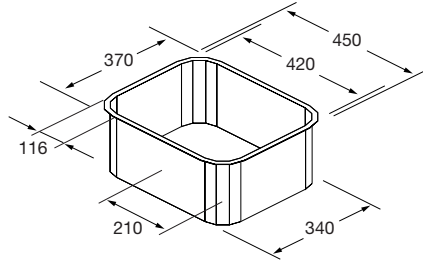
Colour:

Model MU1: 18/10 Stainless Steel

Dimensions: 450 x 370mm

Bowl Depth: 175mm

Cutout size: Templates supplied
(60mm Radius Corners)



BLANCOJOTA

MU2

Colander bowl

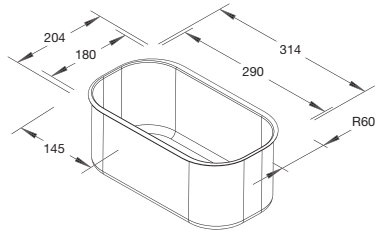
Colour:

Model MU2: 18/10 Stainless Steel

Dimensions: 204 x 314mm

Bowl Depth: 130mm

Cutout size: Templates supplied
(60mm Radius Corners)



BLANCORHO

MU3

Large single bowl

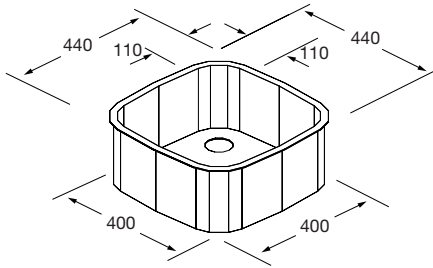
Colour:

Model MU3: 18/10 Stainless Steel

Dimensions: 440 x 440mm

Bowl Depth: 175mm

Cutout size: Templates supplied
(100mm Radius Corners)



BLANCOMIDI

MU4

¾ bowl

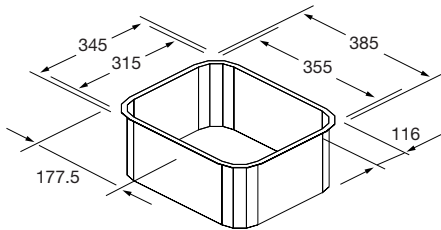
Colour:

Model MU4: 18/10 Stainless Steel

Dimensions: 345 x 385mm

Bowl Depth: 175mm

Cutout size: Templates supplied
(60mm Radius Corners)



BLANCOJOTA-BOX

MU5

Colander bowl

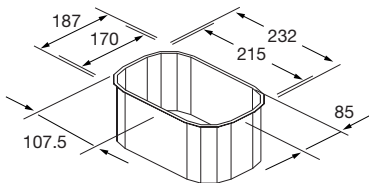
Colour:

Model MU5: 18/10 Stainless Steel

Dimensions: 187 x 232mm

Bowl Depth: 120mm

Cutout size: Templates supplied
(50mm Radius Corners)



BLANCOAXIS 180-U

MU6

Large colander bowl

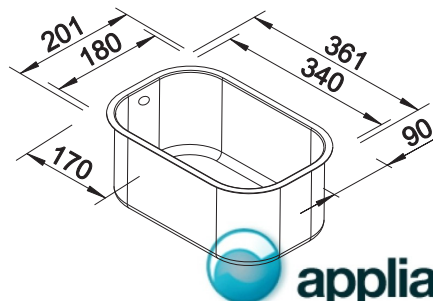
Colour:

Model MU6: 18/10 Stainless Steel

Dimensions: 201 x 361mm

Bowl Depth: 130mm

Cutout size: Templates supplied
(60mm Radius Corners)



The Range: Sinks - Rondo

BLANCORONDOSOL

RONDOSOL

Large Round Bowl
45cm Cabinet

Colour:

Model RONDOSOL: 18/10 Stainless Steel

Dimensions:

460mm

Bowl Depth:

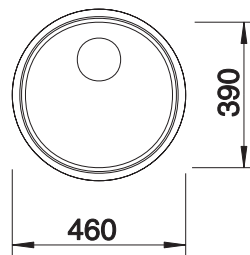
165mm

Cutout size:

222mm Radius

Undermount cutout size:

212mm Radius



BLANCORONDOSOL-T

RONDOSOL-T

Large Round Drainer Tray
45cm Cabinet

Colour:

Model RONDOSOL-T: 18/10 Stainless Steel

Dimensions:

460mm

Bowl Depth:

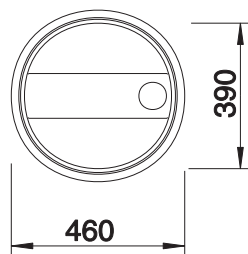
33mm

Cutout size:

222mm Radius

Undermount cutout size:

212mm Radius



BLANCORONDOSSET

RONDOSSET

Large Round Bowl & Drainer Tray
60cm Cabinet

Colour:

Model RONDOSSET: 18/10 Stainless Steel

Dimensions:

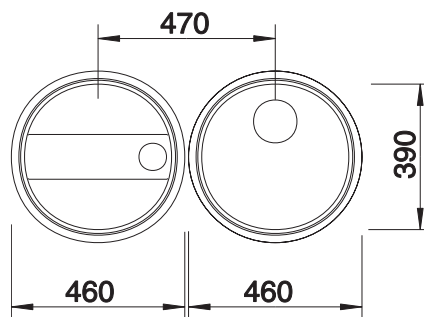
930mm

Bowl Depth:

165 & 33mm

Cutout size:

222mm Radius



BLANCORONDOVAL

RONDOVAL

Large Round Bowl with Tap Ledge
45cm Cabinet

Colour:

Model RONDOVAL: 18/10 Stainless Steel

Dimensions:

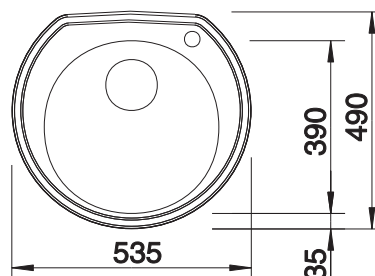
535 x 490mm

Bowl Depth:

180mm

Cutout size:

Details in carton



The Range: Sinks - Axis

BLANCOAXIS6S

BAXIS6S

60cm Cabinet

Left Hand Bowl

Model BAXISL: 18/10 Stainless Steel

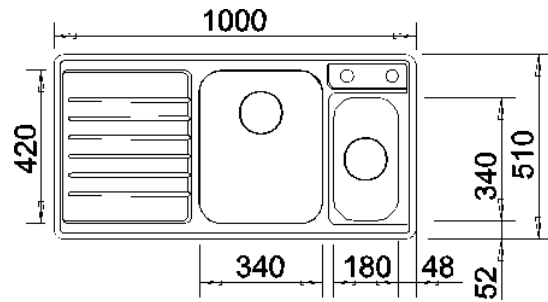
Right Hand Bowl

Model BAXISR: 18/10 Stainless Steel

Dimensions: 1000 x 510mm

Bowl Depths: 175 & 130mm

Cutout size: 977 x 487mm (15mm Radius Corners)



The Range: Sinks - Classic Flushmount

BLANCOCLASSIC 6SF

CLASSIC 6SF

Squareline Flushmount

60cm Cabinet

Colour:

Left Hand Bowl

Model CLASSIC 6SFL: 18/10 Stainless Steel

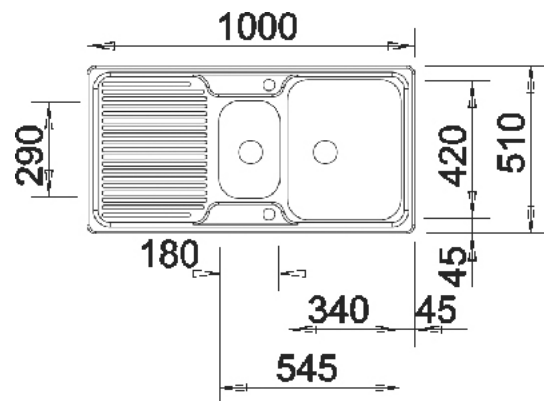
Right Hand Bowl

Model CLASSIC 6SFR: 18/10 Stainless Steel

Dimensions: 1000 x 510mm

Bowl Depths: 175 & 130mm

Cutout size: 988 x 498mm
(64mm Radius Corners)



BLANCOCLASSIC 8F

CLASSIC 8F

Squareline Flushmount Sink

80cm Cabinet

Colour:

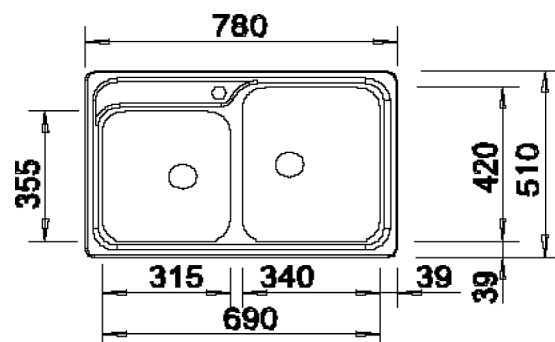
Right Hand Bowl only

Model CLASSIC 8F: 18/10 Stainless Steel

Dimensions: 780 x 510mm

Bowl Depths: 175mm

Cutout size: 768 x 498mm
(64mm Radius Corners)



The Range: Sinks - Classic

BLANCOCLASSIC 6S

MCLS

Squareline Sink
60cm Cabinet

Colour:

Model MCLS: 18/10 Stainless Steel
(Suitable for Left and Right hand bowl configuration)

Dimensions:

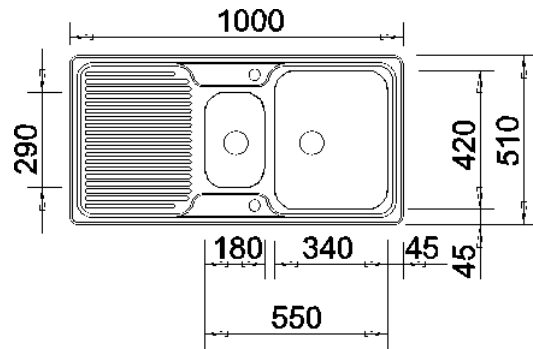
1000 x 510mm

Bowl Depths:

175 & 130mm

Cutout size:

982 x 492mm
(15mm Radius Corners)



BLANCOCLASSIC 8S

MCLZ

Squareline Sink
80cm Cabinet

Colour:

Left Hand Bowl
Model MCLZL: 18/10 Stainless Steel

Right Hand Bowl
Model MCLZR: 18/10 Stainless Steel

Dimensions:

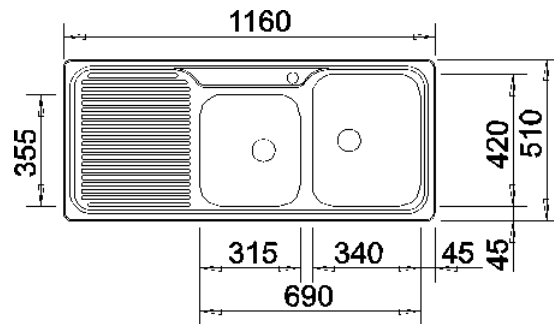
1160 x 510mm

Bowl Depths:

175mm

Cutout size:

1142 x 492mm
(15mm Radius Corners)



The Range: Sinks - Median

BLANCOMEDIAN6XL

MEDIAN6XL

60cm Cabinet

Colour:

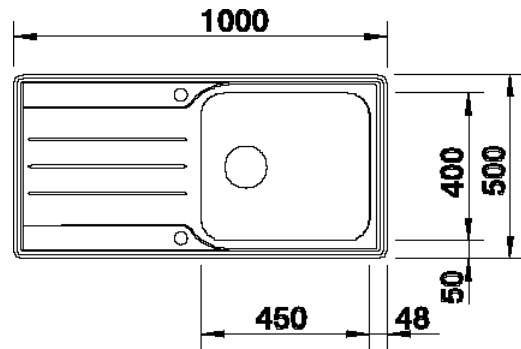
Right Hand Bowl Only

Model MEDIAN6XL: 18/10 Stainless Steel

Dimensions: 1000 x 500mm

Bowl Depth: 175mm

Cutout size: 980 x 480mm (15mm Radius Corners)



BLANCOMEDIAN6S

MEDIAN6S

60cm Cabinet

Colour:

Left Hand Bowl

Model MEDIAN6SL: 18/10 Stainless Steel

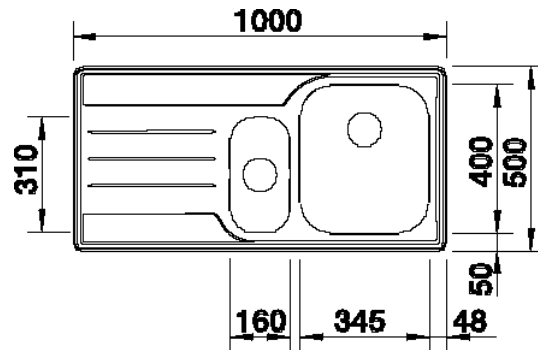
Right Hand Bowl

Model MEDIAN6SR: 18/10 Stainless Steel

Dimensions: 1000 x 500mm

Bowl Depths: 190 x 130mm

Cutout size: 980 x 480mm (15mm Radius Corners)



BLANCOMEDIAN8S

MEDIAN8S

80cm Cabinet

Colour:

Left Hand Bowl

Model MEDIAN8SL: 18/10 Stainless Steel

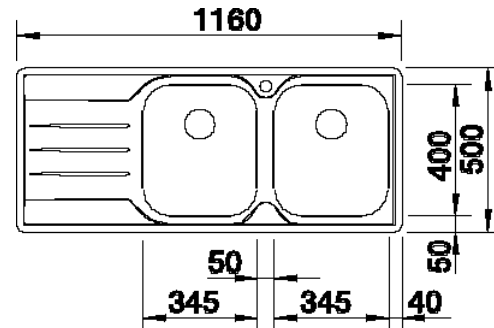
Right Hand Bowl

Model MEDIAN8SR: 18/10 Stainless Steel

Dimensions: 1160 x 500mm

Bowl Depth: 190mm

Cutout size: 1140 x 480mm (15mm Radius Corners)



BLANCOMEDIAN9

MEDIAN9

90cm Cabinet

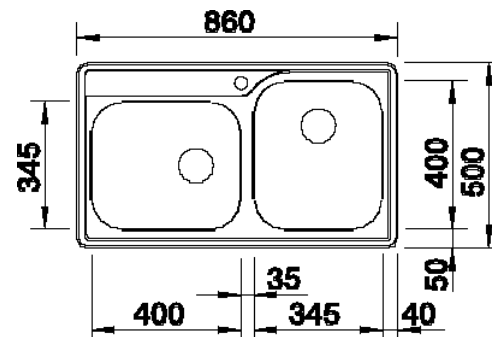
Colour:

Model MEDIAN9: 18/10 Stainless Steel

Dimensions: 860 x 500mm

Bowl Depth: 190mm

Cutout size: 840 x 480mm (15mm Radius Corners)



The Range: Sinks - Softline

BLANCOTWEN

TE

Softline Sink
60cm Cabinet

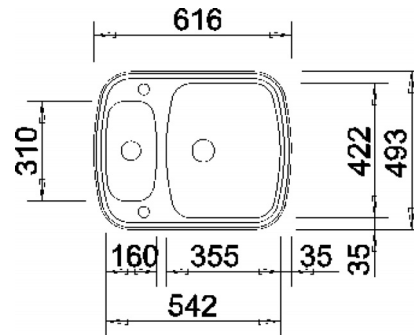
Colour:

Model TE: 18/10 Stainless Steel (Suitable for Left and Right hand bowl)

Dimensions: 616 x 493mm

Bowl Depths: 175 & 130mm

Cutout size: Templates supplied



BLANCOMULTI/CLARIS

MES/CLARIS6S

Softline Sink
60cm Cabinet

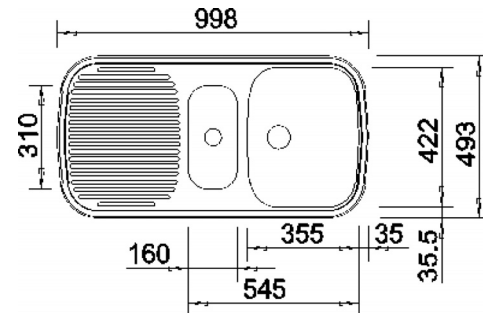
Colour:

Model MES/CLARIS6S: 18/10 Stainless Steel (Suitable for Left and Right hand bowl)

Dimensions: 998 x 493mm

Bowl Depths: 175 & 130mm

Cutout size: Templates supplied



BLANCODUO/CLARIS

DZS/CLARIS8S

Softline Sink
80cm Cabinet

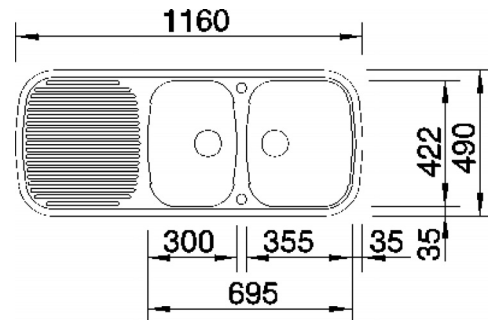
Colour:

Model DZS/CLARIS8S: 18/10 Stainless Steel (Suitable for Left and Right hand bowl)

Dimensions: 1160 x 490mm

Bowl Depths: 175mm

Cutout size: Templates Supplied



The Range: Sinks - PLUS

BLANCOPLUS 45

BPLUS45

Squareline Sink
45cm Cabinet

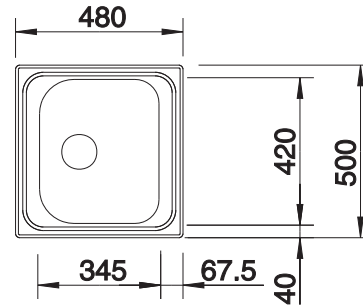
Colour:

Model BPLUS45: 18/10 Stainless Steel

Dimensions: 480 x 500mm

Bowl Depths: 160mm

Cutout size: 462 x 482mm (15mm Radius Corners)



The Range: Sinks - TIPO

BLANCOTIPO 45S

BTIPO45S

Squareline Sink
45cm Cabinet

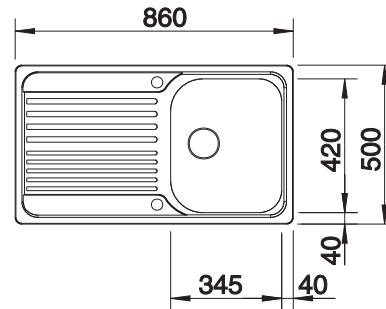
Colour:

Model BTIPO45S: 18/10 Stainless Steel (Suitable for Left and Right hand bowl configuration)

Dimensions: 860 x 500mm

Bowl Depths: 170mm

Cutout size: 842 x 482mm (15mm Radius Corners)



BLANCOTIPO 6

BTIPO6

Squareline Sink
60cm Cabinet

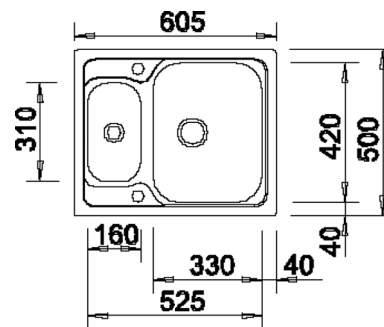
Colour:

Model BTIPO6: 18/10 Stainless Steel (Suitable for Left and Right hand bowl configuration)

Dimensions: 605 x 500mm

Bowl Depths: 160 & 130mm

Cutout size: 588 x 483mm (15mm Radius Corners)



BLANCOTIPO 6S

BTIPO6S

Squareline Sink
60cm Cabinet

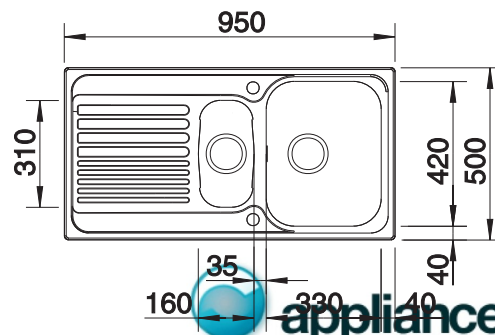
Colour:

Model BTIPO6S: 18/10 Stainless Steel (Suitable for Left and Right hand bowl configuration)

Dimensions: 950 x 500mm

Bowl Depths: 170 & 140mm

Cutout size: 933 x 483mm (15mm Radius Corners)



The Range: Sinks - TIPO

BLANCOTIPO8S

BTIPO8S

Squareline Sink
80cm Cabinet

Colour:

Model BTIPO8S: 18/10 Stainless Steel
(Suitable for Left and Right hand bowl configuration)

Dimensions:

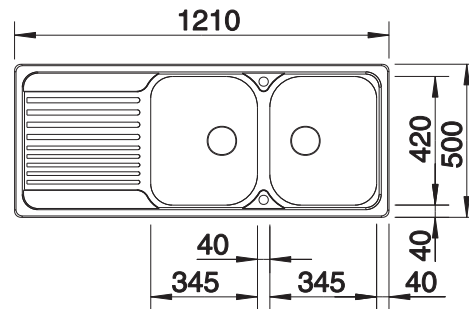
1210 x 500mm

Bowl Depths:

170mm

Cutout size:

1192 x 482mm (15mm Radius Corners)



BLANCOTIPO6XL

BTIPO6XL

Squareline Sink
60cm Cabinet

Colour:

Model BTIPO6XL: 18/10 Stainless Steel (Suitable for Left and Right hand bowl configuration)

Dimensions:

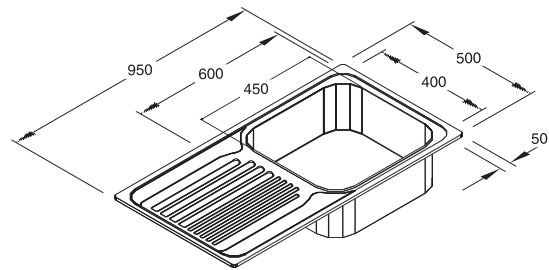
950 x 500mm

Bowl Depths:

180mm

Cutout size:

933 x 483mm (15mm Radius Corners)



BLANCOTIPO9XL

BTIPO9XL

Squareline Sink
90cm Cabinet

Colour:

Model BTIPO9XL: 18/10 Stainless Steel (Suitable for Left and Right hand bowl configuration)

Dimensions:

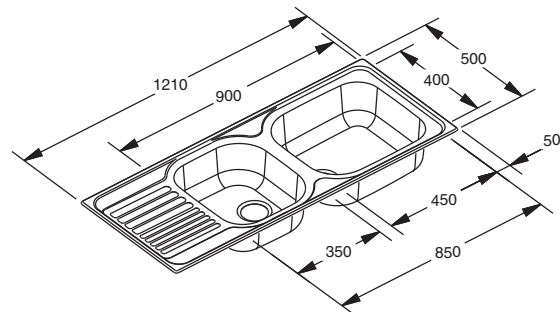
1210 x 500mm

Bowl Depths:

175 & 160mm

Cutout size:

1192 x 482mm (15mm Radius Corners)



The Range: Sinks - Jarah

BLANCOJARAH8

BJ8S

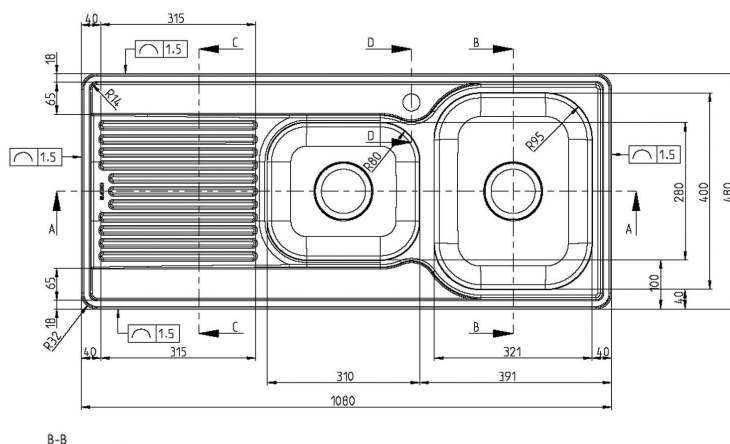
1 ½ bowl sink
80cm Cabinet

Colour: 18/10 Stainless Steel (Suitable for Left and Right hand bowl configuration)

Dimensions: 1080 x 480mm

Bowl Depths: 160 and 150mm

Cutout size: 1057 x 457mm (20mm Radius Corners)



BLANCOJARAH6

BJ6

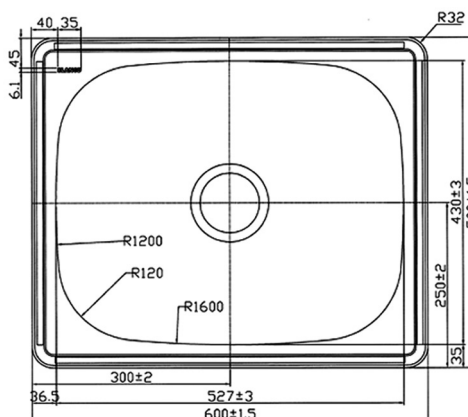
Laundry tub
60cm Cabinet

Colour: 18/10 Stainless Steel

Dimensions: 600 x 500mm

Bowl Depths: 240mm

Cutout size: 577 x 477mm (20mm Radius Corners)



BLANCOJARAH6C

BJ6C

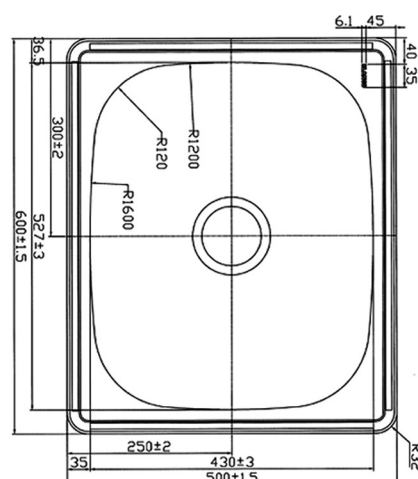
Laundry tub
45cm Cabinet

Colour: 18/10 Stainless Steel

Dimensions: 500 x 600mm

Bowl Depths: 240mm

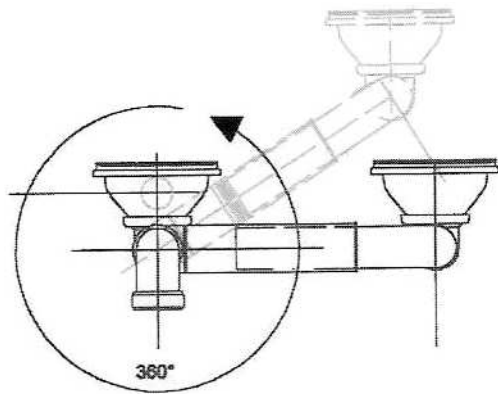
Cutout size: 477 x 577mm (20mm Radius Corners)



The Range: Plumbing

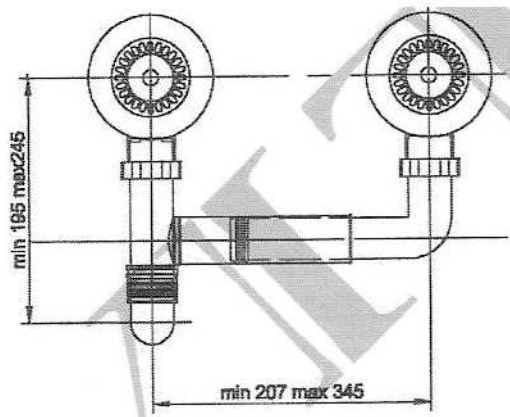
BLKDW

Bowl levelling kit including two designer wastes



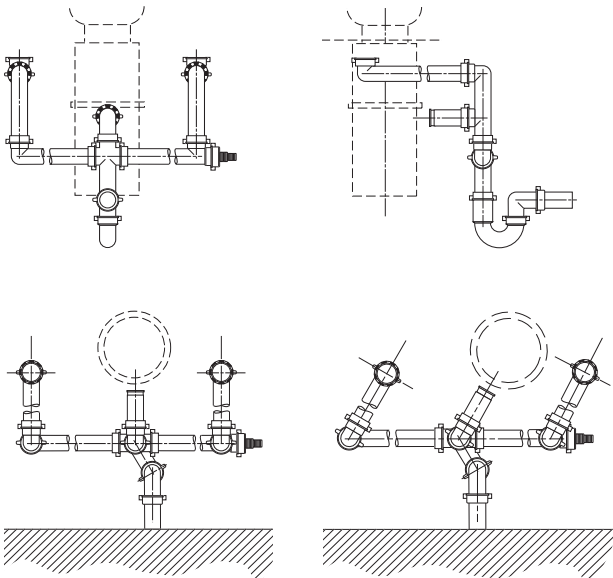
The BLANCO bowl levelling kit is specifically designed to simplify installation of any sink with differing bowl depths.

Australian Standards Approved. Certificate number 8711.



PWL23

Spazio Sink Space Saving Kit



BLANCO Spazio Kit

The BLANCO Spazio Kit has been designed and manufactured specifically for use in Australia and carries the Australian Standards watermark. It consists of 10 major components and several secondary fittings for connection to dishwashers' etc. This kit allows the installer to connect sinks with three outlets of varying heights and centres by cutting any or all the pipes supplied to suit the size of the cabinetry.

Tip: Try assembling the entire unit before installation. This will help the installer to understand how the kit goes together before they start cutting the connectors.

For installations that require waste disposer connection, the installer can simply cut the necessary components to ensure that the pipe work is kept to the back of the cupboard. All fittings required are included in the system for connection to a waste disposer or dishwasher.

The Spazio Kit can be adapted to suit any installation requirements. All Spazio Kits include both "S" & "P" trap connections. The "P" trap has been featured in the graphics on the left.

A licensed plumber should carry out all installations of this kit!

The plumber will be required to supply a 50mm F & I connector to terminate the 50mm PVC pipe coming into the cabinet. This will allow easy connection to the PWL23 kit.

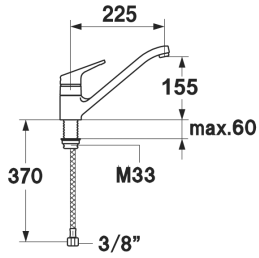
Australian Standards Approved.

Licence No. W053.

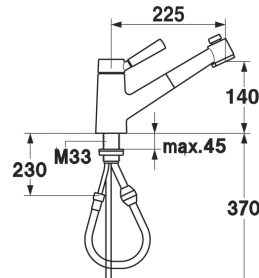
The Range: Taps - BLANCO

BLANCO TAPS

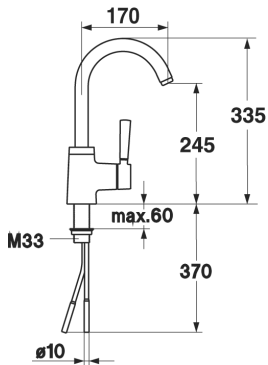
Tap Hole Cutout: 35mm



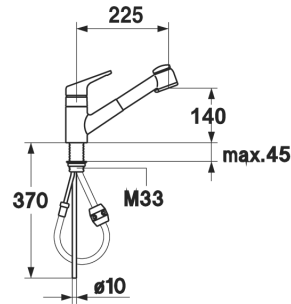
Model BLUNA: Chrome fixed spout



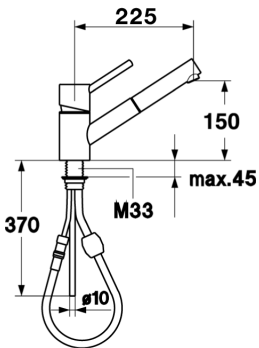
Model BKONOSP: Chrome pull out spout



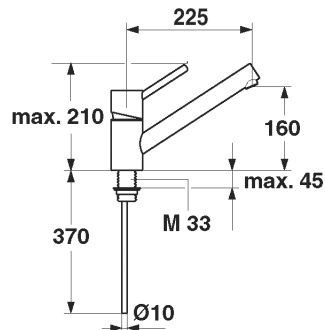
Model BKONOSA: Chrome high arc spout



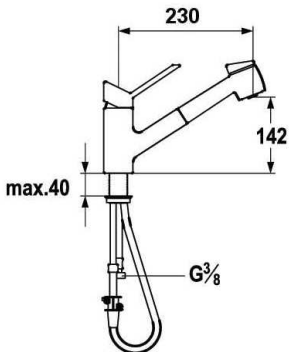
Model BLUNAP: Chrome pull out spout



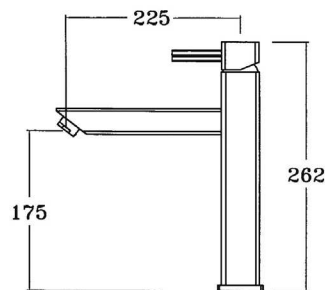
Model BSTYLEP: Chrome pull out spout



Model BSTYLE: Chrome fixed spout

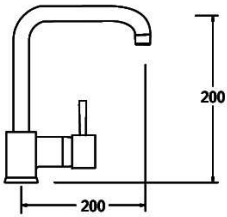


Model BBLISSP: Chrome pull out spout

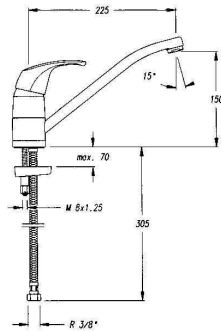


Model BL8301: Chrome pull out spout

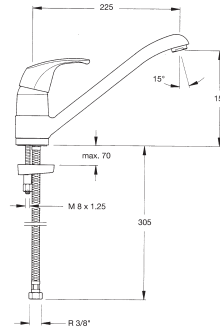
The Range: Taps - BLANCO



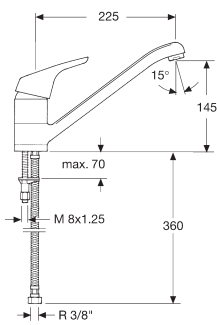
Model BL4106:
Chrome fixed spout



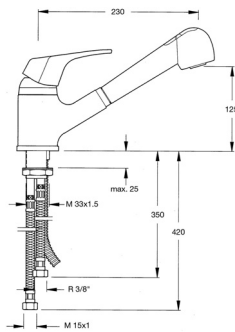
Model B5899:
Chrome small solid handle



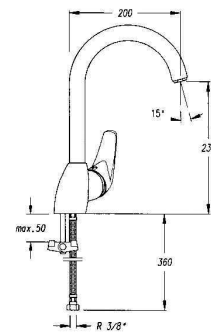
Model B5809:
Chrome small solid handle



Model B2209:
Chrome large solid handle



Model B2219:
Chrome pull out solid handle



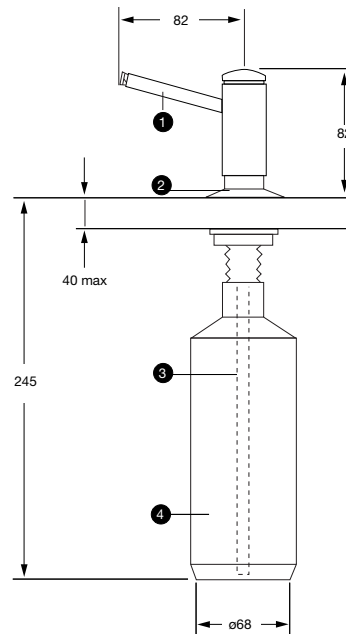
Model B2226:
Chrome high arc spout

The Range: KWC Primo Soap Dispensers

Colour:

- Model Z504938106: Black
- Model Z504938130: Stainless Steel
- Model Z504938102: White
- Dispenser Hole Cutout: 25-32mm

*Spout and base plate made out of corrosion-resistant brass



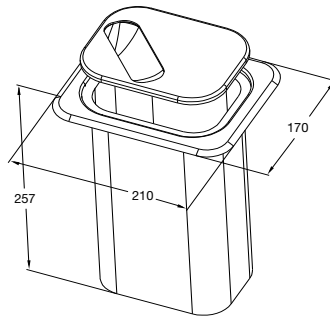
The Range: Bin Systems

BLANCO Solo Box

For Installation separate from Sink, into bench top

BSOLB1

Bench surround, lid and chute



Colour:

Model BSOLB1: Stainless Steel trim, lid & plastic chute

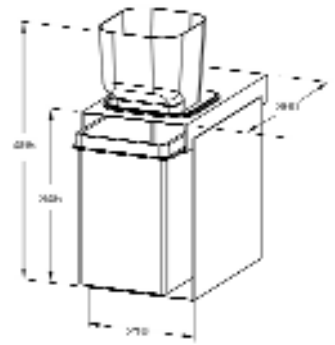
Dimensions:

257H x 210W x 170Dmm

Cutout Size:

190 x 150mm (15mm Radius corners)

BLANCO Bio-Box



Colour:

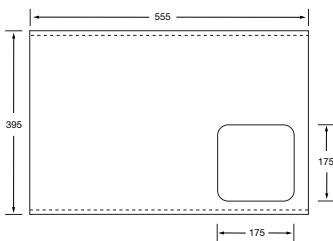
Model BIO-BOX: Grey plastic bin & grey steel frame

Dimensions:

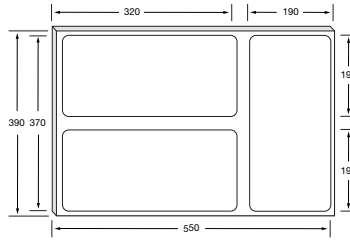
495H x 210W x 360Dmm

Adaptor for 60cm Select Bin System Only

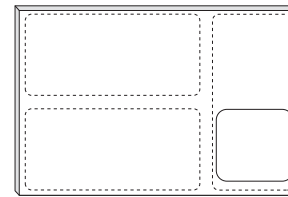
Bin Cover/Adaptor



Bin Frame



Bin Assembly Complete



Models:

128078 - Hand control adaptor suitable for Left Hand Bowl setup

Dimensions:

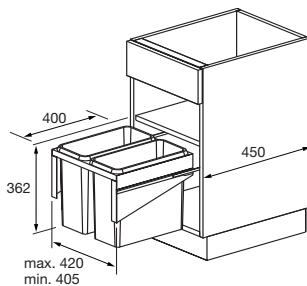
Bin Cover 555W x 395Dmm
Bin Frame 550W x 390Dmm

Hand Controlled Select Bin System

BSELE45

45cm Cabinet

2 x 18.5 Litre bins



Colour:

Model BSELE 45: Grey Steel frame and Grey plastic bins

Dimensions

Max: 362H x 420W x 450Dmm

Min: 362H x 405W x 450Dmm

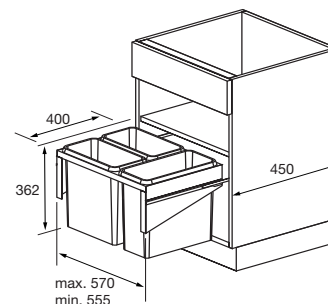
Minimum cupboard depth is 450mm to include brackets.

Hand Controlled Select Bin System

BSELE60

60cm Cabinet

2 x 16 Litre bins and 1 x 18.5 Litre bin



Colour:

Model BSELE 60: Grey Steel frame and Grey plastic bins

Dimensions

Max: 362H x 570W x 450Dmm

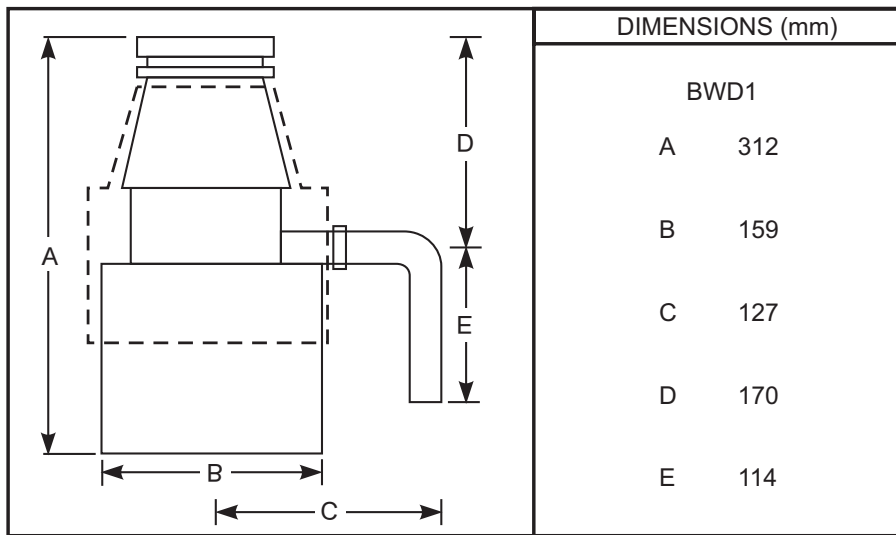
Min: 362H x 555W x 450Dmm

Minimum cupboard depth is 450mm to include brackets.

The Range: Waste Disposer

Superior Quality, Continuous Feed
Waste Disposer

BWD1



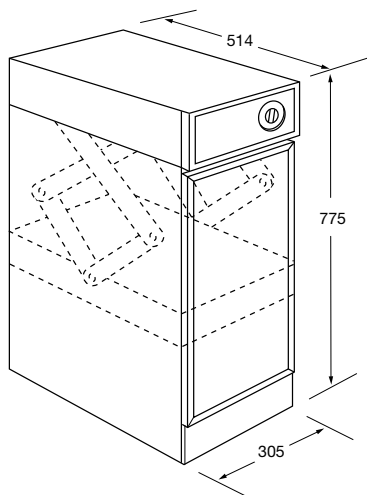
Power Requirements

Model BWD1: 240V 3.75 Amps 1/2 Horse Power

The Range: Garbage Compactors

Hydraulic Garbage Compactors

1055



Colour

Model 1055SS:

Stainless Steel

Model 1055:

Black

Method of Installation:

Under benchtop
or freestanding

Dimensions:

775H x 305W x 514Dmm

Capacity:

42 cubic cm bin

Power Requirements:

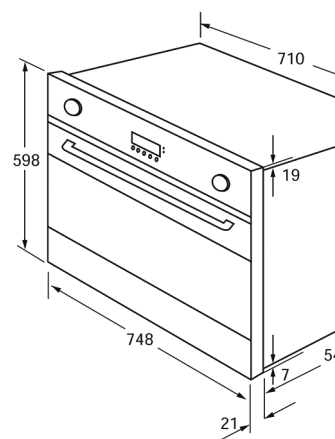
240V 3.0Amps

- ◆ Four adjustable levelling legs



Because Life's Meant To Be Easy

BLANCO



BLANCO

As an initial reference point please visit our website where you can find instruction manuals, product specifications, images and drawings, available for you to download.

www.meappliances.com.au

For Blanco Sales & Customer Service Centre: 1300 739 033

For assistance operating your product, or for additional brochures etc, please contact your BLANCO state showroom:

New South Wales & ACT

Showroom

40 Ebley Street Bondi Junction NSW 2022

Tel: (02) 9386 1190 Fax: (02) 9386 1671

Victoria

Showroom

35 Centre Road Scoresby VIC 3179

Tel: (03) 8756 7900 Fax: (03) 8756 7999

Western Australia

Showroom

4/8 Ellen Stirling Boulevard Innaloo WA 6018

Tel: 1300 739 033

Queensland

Showroom

148 Robinson Road East Geebung QLD 4034

Tel: (07) 3259 2581 Fax: (07) 3265 6933

South Australia & Northern Territory

Showroom

S.C.Lighting & Electricals

47 North Terrace Hackney SA 5069

Tel: (08) 8362 4599 Fax: (08) 8362 4591

Because Life's Meant To Be Easy

BLANCO is proudly distributed in Australia by Major Electrical Appliances (MEA). MEA continues to make a concerted effort to produce the most 'up-to-date' and comprehensive literature, however this brochure must not be regarded as an infallible guide to the current specifications, as products are constantly changing to ensure the market has access to the best of European excellence.

Please consider the environment by helping us recycle. If you no longer need this brochure, please either return it to the store or dispose of it in a paper recycling bin.